



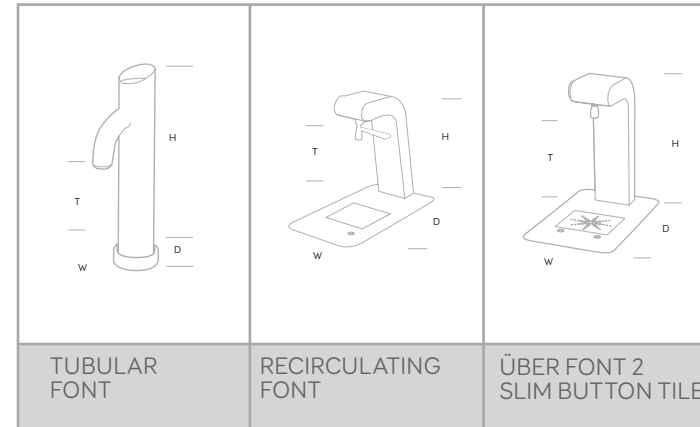
FONTS | FONTS FOR UNDERCOUNTER UNITS



FEATURES/

- Single or dual dispense fonts.
- Up to 3 fonts from a single boiler (45L models).
- Space saving application.
- Aesthetically pleasing.
- For use with Undercounter ECOBOILER and ECOSMART variants.

DIMENSIONS/



IDEAL FOR ALL CATERING LOCATIONS HOTEL AND RESTAURANT KITCHENS, COFFEE SHOPS, STAFF RESTAURANTS, STADIA, CANTEENS

*Recirculating font only functions with UC45 variants.

SPECS/OPTIONS

DESCRIPTION	ORDER CODE	IMMEDIATE DRAW OFF (L)	OUTPUT PER HOUR (L)	CUPS PER HOUR	POWER @ 230V	WEIGHT (KG)
TUBULAR FONT	1000585	N/A	N/A	N/A	N/A	2.5
ÜBER FONT 2 SLIM BUTTON TILE	1000811	N/A	N/A	N/A	N/A	7
RECIRCULATING FONT*	1000825	N/A	N/A	N/A	N/A	8
LOW PROFILE ÜBER FONT	1000811L	N/A	N/A	N/A	N/A	8

DESCRIPTION	DIMENSIONS (DXWXHmm)	PACKAGING (DXWXHmm)	QTY PER PALLET	PLUMBING REQUIREMENTS
TUBULAR FONT	135x135x300x156	24x14x34	32	N/A
ÜBER FONT 2 SLIM BUTTON TILE	470x250x400x270	49x28x67	16	N/A
RECIRCULATING FONT*	470x250x400x270	49x28x67	16	N/A
LOW PROFILE ÜBER FONT	470x250x272x152	49x28x67	16	N/A