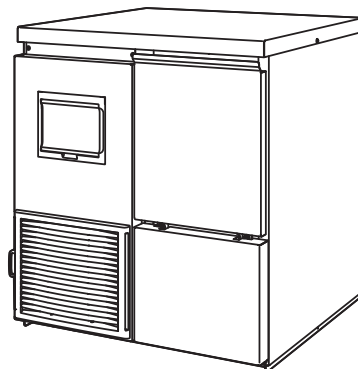




SELF-CONTAINED ICE MAKER
MACHINE A GLACE A BACINTEGRE
EISBEREITER MIT EINGEBAUTEM VORRATSBEHÄLTER
IJSMACHINE MET INGEBOUWDE BUNKER
MÁQUINA DE CUBITOS DE HIELO AUTÓNOMA
MACCHINA PER LA PRODUZIONE DI GHIACCIO AUTOCONTENUTA

**INSTRUCTION MANUAL
NOTICE D'UTILISATION
BEDIENUNGSANLEITUNG
GEBRUIKSAANWIJZING
MANUAL DE INSTRUCCIONES
MANUALE D'ISTRUZIONI**



FOR END USER
POUR UTILISATEUR
FÜR DEN ENDKUNDEN
VOOR DE GEBRUIKER
PARA USUARIO
PER L'UTENTE FINALE

**FM-150KE
FM-150KE-N
CM-140KE
FM-150KE-50
FM-150KE-50-N
FM-120KE
CM-110KE-50
FM-80KE
FM-80KE-N**

L1F080202 (093014)

ENGLISH	IMPORTANT SAFETY INFORMATION	1
	I. INSTALLATION INSTRUCTIONS.....	3
	1. CONSTRUCTION	3
	2. LOCATION.....	3
	3. ELECTRICAL CONNECTIONS.....	3
	4. WATER SUPPLY AND DRAIN CONNECTIONS.....	4
	II. OPERATING INSTRUCTIONS	4
	1. START UP.....	5
	2. SHUT DOWN	5
	3. PREPARING THE ICEMAKER FOR LONG STORAGE.....	5
	III. MAINTENANCE	5
	1. CLEANING	5
	2. INSPECTION AND MAINTENANCE.....	7
	3. BEFORE CALLING FOR SERVICE.....	7
	4. DISPOSAL	8
	5. WARRANTY.....	8
	SPECIFICATIONS.....	9
FRANCAIS	INFORMATIONS DE SECURITE IMPORTANTES.....	11
	I. CONSIGNES D'INSTALLATION.....	13
	1. CONSTRUCTION	13
	2. EMBLACEMENT	13
	3. BRANCHEMENTS ELECTRIQUES.....	13
	4. BRANCHEMENTS D'ARRIVEE ET DE VIDANGE D'EAU	14
	II. CONSIGNES D'UTILISATION	14
	1. MISE EN MARCHE.....	15
	2. ARRET	15
	3. PREPARATION DU DISTRIBUTEUR DE GLACE EN VUE D'UN ENTREPOSAGE DE LONGUE DUREE.....	15
	III. ENTRETIEN	16
	1. NETTOYAGE	16
	2. INSPECTION ET ENTRETIEN	17
	3. AVANT D'APPELER UN REPARATEUR.....	17
	4. MISE AU REBUT	18
	5. GARANTIE	18
	SPECIFICATIONS.....	19
DEUTSCH	WICHTIGE SICHERHEITSHINWEISE.....	21
	I. INSTALLATIONSANLEITUNG.....	23
	1. KONSTRUKTION.....	23
	2. AUFSTELLORT.....	23
	3. ELEKTRISCHE ANSCHLÜSSE.....	23
	4. WASSERZULAUF- UND WASSERABLAUFANSCHLÜSSE.....	24
	II. BEDIENUNGSANLEITUNG	24
	1. INBETRIEBNAHME	25
	2. AUSSCHALTEN.....	25
	3. MASSNAHMEN FÜR DIE LANGFRISTIGE LAGERUNG DES EISSPENDERS.....	25
	III. WARTUNG	26
	1. REINIGUNG	26
	2. INSPEKTION UND WARTUNG	27
	3. VOR ANRUF DES KUNDENDIENSTES.....	27
	4. ENTSORGUNG.....	28
	5. GEWÄHRLEISTUNG	28
	TECHNISCHE DATEN	29

NEDERLANDS	BELANGRIJKE VEILIGHEIDSGEGEVINGEN.....	31
	I. INSTALLATIE-INSTRUCTIES.....	33
	1. CONSTRUCTIE	33
	2. PLAATSING	33
	3. ELEKTRISCHE AANSLUITINGEN	33
	4. AANSLUITING VAN WATERTOevoER- EN WATERAFvoERLEIDINGEN	34
	II. BEDIENINGSINSTRUCTIES	34
	1. OPSTARTEN	35
	2. UITZETTEN.....	35
	3. DE IJSMAKER GEREEDMAKEN VOOR LANGDURIGE OPSLAG	35
	III. ONDERHOUD.....	36
	1. REINIGEN.....	36
	2. INSPECTIE EN ONDERHOUD.....	37
	3. VOORDAT U BELT VOOR SERVICE.....	37
	4. VERWIJDERING.....	38
	5. GARANTIE.....	39
	SPECIFICATIES.....	40
ESPAÑOL	INFORMACIÓN IMPORTANTE DE SEGURIDAD.....	42
	I. INSTRUCCIONES DE INSTALACIÓN.....	44
	1. CONSTRUCCIÓN.....	44
	2. UBICACIÓN	44
	3. CONEXIONES ELÉCTRICAS.....	44
	4. SUMINISTRO DE AGUA Y CONEXIONES DE DRENAJE	45
	II. INSTRUCCIONES DE UTILIZACIÓN	45
	1. PUESTA EN MARCHA	46
	2. DESCONEXIÓN.....	46
	3. PREPARACIÓN DE LA MÁQUINA DE HIELO PARA UN ALMACENAMIENTO PROLONGADO.....	46
	III. MANTENIMIENTO	47
	1. LIMPIEZA.....	47
	2. REVISIÓN Y MANTENIMIENTO.....	48
	3. ANTES DE LLAMAR AL SERVICIO TÉCNICO	48
	4. ELIMINACIÓN.....	49
	5. GARANTÍA.....	50
	ESPECIFICACIONES	51
ITALIANO	INFORMAZIONI IMPORTANTI SULLA SICUREZZA	53
	I. ISTRUZIONI PER L'INSTALLAZIONE.....	55
	1. COMPONENTI.....	55
	2. UBICAZIONE	55
	3. COLLEGAMENTI ELETTRICI.....	55
	4. COLLEGAMENTO DI ALIMENTAZIONE DELL'ACQUA E COLLEGAMENTO DI SCARICO... 56	
	II. ISTRUZIONI DI FUNZIONAMENTO	56
	1. AVVIO	57
	2. ARRESTO.....	57
	3. PREPARATIVI PER IL LUNGO IMMAGAZZINAGGIO DELLA MACCHINA	57
	III. MANUTENZIONE.....	58
	1. PULIZIA.....	58
	2. CONTROLLO E MANUTENZIONE.....	59
	3. PRIMA DI RIVOLGERSI ALL'ASSISTENZA.....	59
	4. SMALTIMENTO	60
	5. GARANZIA.....	61
	SPECIFICHE.....	62

IMPORTANT SAFETY INFORMATION

Throughout this manual, notices appear to bring your attention to situations which could result in death, serious injury, or damage to the unit.

▲WARNING	Indicates a hazardous situation which, if not avoided, could result in death or serious injury.
▲CAUTION	Indicates a hazardous situation which, if not avoided, could result in minor or moderate injury.
NOTICE	Indicates a hazardous situation which, if not avoided, could result in damage to the unit.
▲HYGIENE	Indicates important precautions for hygiene and food safety.
IMPORTANT	Indicates important information about the use and care of the unit.

IMPORTANT	
This booklet is an integral and essential part of the product and should be kept and preserved by the user.	
Please read carefully the guidelines and warnings contained herein as they are intended to provide the user with essential information for the continued safe use and maintenance of the product. In addition, it provides GUIDANCE ONLY to the user on the correct services and site location of the icemaker.	
Please preserve this booklet for any further consultation that may be necessary.	

▲WARNING	
This is a commercial icemaker, and should be destined only to be used for the purpose for which it has been expressly designed. Any other use should be considered improper and therefore dangerous. The manufacturer will not be held liable or responsible for any damage caused by improper, incorrect and unreasonable use.	
The installation, and relocation if necessary, must be carried out by qualified personnel, in accordance with current regulations, according to the manufacturer's instructions.	
Keep ventilation openings, in the appliance enclosure or in the built-in structure, clear of obstruction.	

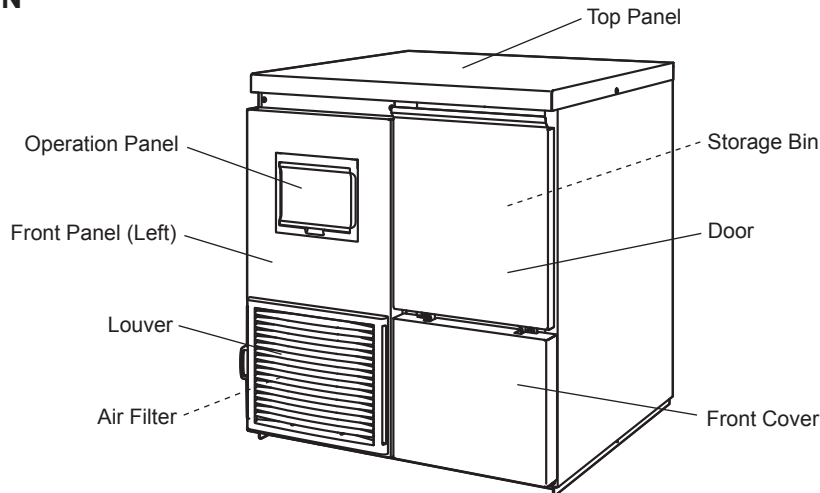
ENGLISH

The use of any electrical appliance involves the observance of some fundamental rules. In particular:

- * Instances of high humidity and moisture increase the risk of electrical short circuits and potential electrical shocks. If in doubt, disconnect the icemaker.
- * Do not damage the power cord or pull it in order to disconnect the icemaker from the electrical supply network.
- * Do not touch the electrical parts or operate the switches with damp hands.
- * This appliance can be used by children aged from 8 years and above and persons with reduced physical, sensory or mental capabilities, or lack of experience and knowledge if they have been given supervision or instruction concerning use of the appliance in a safe way and understand the hazards involved.
- * Children shall not play with the appliance.
- * Cleaning and user maintenance shall not be made by children without supervision.
- * Do not attempt to modify the icemaker. Only qualified personnel may disassemble or repair the appliance.

I. INSTALLATION INSTRUCTIONS

1. CONSTRUCTION



2. LOCATION

⚠ WARNING

This icemaker is not intended for outdoor use.

The icemaker should not be located next to ovens, grills or other high heat producing equipment.

This appliance is not suitable for installation in an area where a water jet could be used.

⚠ CAUTION

The location should provide a firm and level foundation for the icemaker.

NOTICE

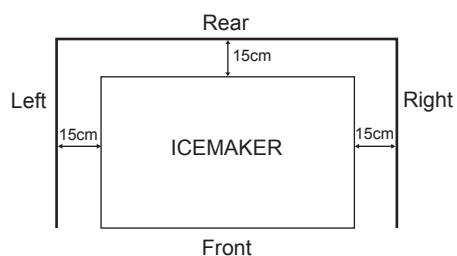
Do not place anything on top of the icemaker or in front of the louver.

IMPORTANT

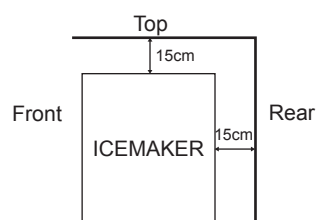
Normal operating ambient temperature should be within 5°C to 40°C. Water connection is cold water only. Operation of the icemaker, for extended periods, outside of these normal temperature ranges may affect production capacity.

Allow the clearance specified below for proper air circulation and ease of maintenance and/or service should they be required.

Top View



Side View



In some high humidity environments, condensation may form inside the machine and drip onto the floor. Do not install where the floor can be affected by water.

3. ELECTRICAL CONNECTIONS

⚠ WARNING

THIS APPLIANCE MUST BE EARTHED

This icemaker requires an earth that meets the national and local electrical code requirements.

Disconnect the main power supply before any maintenance, repairs or cleaning is undertaken.

* Usually an electrical permit and services of a licensed electrician are required.

ENGLISH

* If the supply cord is damaged, it must be replaced by a replacement cord available from Hoshizaki Parts/Service Centres.

For the U.K. and the Republic of Ireland only

- * The wires in the mains lead are coloured in accordance with the following code:
Green & Yellow = Earth
Blue = Neutral
Brown = Live

As the colours of the wire in the mains lead of this appliance may not correspond with the coloured markings identifying the terminals in your plug, proceed as follows:

The wire which is coloured Green-and-Yellow must be connected to the terminal in the plug which is marked with the letter E or by the symbol \perp or coloured Green or Green-and-Yellow. The wire which is coloured Blue must be connected to the terminal which is marked with the letter N or coloured Black. The wire which is coloured Brown must be connected to the terminal which is marked with the letter L or coloured Red.

- * Should the socket outlets in the installation site not be suitable for the plug supplied with your product, the plug must be removed (cut off if it is moulded on plug) and an appropriate plug fitted.

If the non-rewirable plug has been cut from the power supply cord, it must be disposed of. There should be no attempt to reuse it. Inserting such a plug into a socket elsewhere presents a serious risk of electrical shock.

- * The non-rewirable plug must never be used without a fuse cover being fitted.

The correct replacement for the detachable fuse cover is identifiable from the manufacturer's reference number stamped on the plug.

Supply of replacement fuse covers can be obtained from Hoshizaki Parts/Service Centres.

Fuses should be rated at 13A and approved to BS 1362.

4. WATER SUPPLY AND DRAIN CONNECTIONS

⚠ WARNING

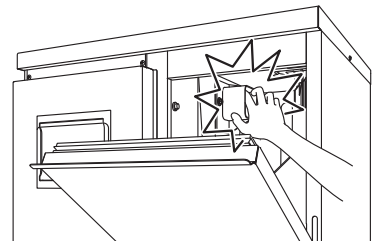
Connect to potable cold water supply only.

- * The connections to the mains water supply must be made in accordance with the countries' current requirements of the Water Supply or Water Fittings Regulations.
- * Icemaking water must be potable water. Where scaling can be caused by water quality, installation of an external filter or softener is recommended. Contact your local water treatment professional or Hoshizaki service agent.
- * A plumbing permit and services of a licensed plumber may be required in some areas.

II. OPERATING INSTRUCTIONS

⚠ CAUTION

Do not step into the storage bin, or put your hands into the machine compartment inside the storage bin. Children can get trapped inside, or the icemaking mechanism may suddenly move, resulting in injury.



NOTICE

All parts are factory-adjusted. Improper adjustments may result in failure.

If the unit is turned off, wait for at least 3 minutes before restarting the icemaker to prevent damage to the compressor.

▲HYGIENE

This icemaker is designed to produce edible ice. To keep the icemaker hygienic:

- * Wash your hands before removing ice. Use the plastic scoop provided (accessory).
- * The storage bin is for ice use only. Do not store anything else in the bin nor use other electrical appliances in the bin.
- * Clean the storage bin before use (see "III. 1. CLEANING").
- * Keep the scoop clean. Clean it by using a neutral cleaner and rinse thoroughly.
- * Close the door after removing ice to prevent entrance of dirt, dust or insects into the storage bin.

1. START UP

The installer will normally commission the icemaker to start the automatic icemaking process. To ensure continuous operation, make sure that:

- * The water supply tap is on, and
- * The icemaker is connected to the power supply.

To start the icemaking process, check the position of the operation switch on the operation panel:

- "OFF" position - Move it to the "ON" position.
- "ON" position - Press the ice button.

2. SHUT DOWN

Push the stop button on the operation panel. The display will blink in the "STOP" mode for 15 minutes during the drain control operation and will start to illuminate constantly at the end of drain control.

3. PREPARING THE ICEMAKER FOR LONG STORAGE

NOTICE

This icemaker will not work at subfreezing temperatures. To prevent damage to the water supply line, drain the icemaker when air temperature is below zero.

▲HYGIENE

When shutting down the icemaker for two or more days, drain the icemaker to prevent contamination in the water circuit.

- 1) Follow the instructions in "2. SHUT DOWN".
- 2) Move the operation switch to the "OFF" position.
- 3) Close the water supply tap.
- 4) Remove the inlet hose from the water supply tap, and drain the hose.
- 5) Disconnect the power supply.
- 6) Remove all ice from the storage bin, and clean the bin.
- 7) Ask for draining of the icemaker by professional qualified personnel.
- 8) To restart the icemaker, follow the instructions in "1. START UP".

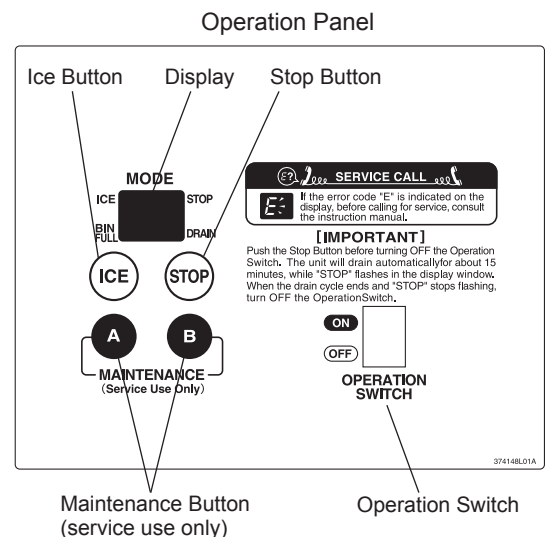
III. MAINTENANCE

1. CLEANING

▲WARNING

Before carrying out any cleaning or maintenance operations, unplug the icemaker from the electrical supply network.

This appliance must not be cleaned by use of a water jet.



ENGLISH

⚠ CAUTION

When using a neutral cleaner or sodium hypochlorite, thoroughly read and understand the instructions provided to prevent potential health problems.

NOTICE

Ask a trained service person to clean and sanitize the icemaker water system at least twice a year and to check and clean the condenser at least once a year.

To prevent possible damage, do not clean the plastic parts with water above 40°C or in a dishwasher.

[a] Machine and Bin Exterior

Wipe the exterior at least once per week with a clean, soft cloth. Use a damp cloth containing a neutral cleaner to wipe off grease or dirt.

[b] Scoop and Storage Bin Handle Cleaning/Sanitisation (Daily)

- 1) Either mix 1 litre of water with 4 ml of 5.25% sodium hypochlorite solution in a suitable container, or the recommended Hoshizaki sanitiser as directed.
- 2) Soak the scoop in the solution for more than 3 minutes. Rinse thoroughly, and shake to remove surplus liquid.

Note: Using a cloth to dry may re-contaminate.

- 3) Use a neutral cleaner to wash the storage bin handle. Rinse thoroughly.
- 4) Soak a clean cloth with the sanitising solution, and wipe the handle. Use fresh water and a clean cloth to rinse/dry.

[c] Storage Bin Interior Cleaning/Sanitisation (Weekly)

- 1) Open the storage bin door, and remove all ice.
- 2) Slightly warp the slope to release it from the left and right shafts.
- 3) Remove the drain cap located in the base of the storage bin.
- 4) Wash the bin liner, slope and drain cap with a neutral non-abrasive cleaner. Rinse thoroughly.

Note: Take care not to damage the bin control actuator at the top of the bin.

- 5) Either mix 5 litres of water with 18 ml of 5.25% sodium hypochlorite solution in a suitable container, or the recommended Hoshizaki sanitiser as directed.
- 6) Soak a clean sponge or cloth with the solution, and wipe the bin liner surfaces, slope and drain cap.
- 7) Refit the slope and drain cap.
- 8) Wipe the surface of the bin door with the solution. Close the bin door.
- 9) The remaining solution can be used to sanitise utensils.

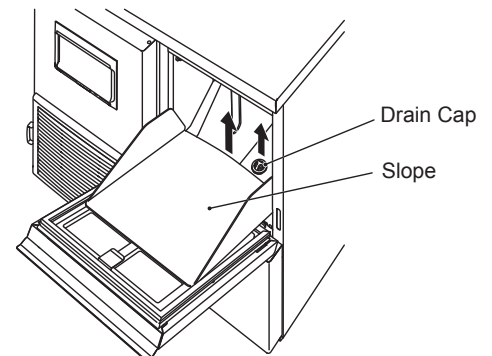
Note: Do not wipe dry or rinse after sanitising, but allow to air dry.

[d] Storage Bin Door

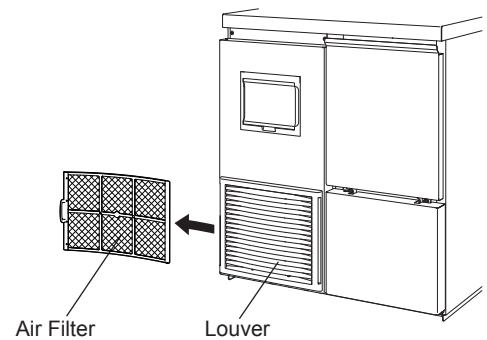
Clean the storage bin door at least once a week, using a neutral non-abrasive cleaner. Rinse thoroughly after cleaning and sanitise as required.

[e] Air Filter

Plastic mesh air filters remove dirt or dust from the air, and keep the condenser from getting clogged. If the filters get clogged, the icemaker's performance will be reduced. Remove and clean the air filter(s) at least twice per month:



- 1) Slide the air filter off the louver.
- 2) Clean the air filter by using a vacuum cleaner. When severely clogged, use warm water and a neutral cleaner to wash the air filter.
- 3) Rinse and dry the air filter thoroughly.



NOTICE

After cleaning, be sure to place the air filter back in position.

2. INSPECTION AND MAINTENANCE

NOTICE

To achieve optimum icemaker performance, the following parts need periodic inspection and maintenance:

- Extruding head (upper bearing)
- Housing (lower bearing)
- Mechanical seal

These parts should be inspected after two years from installation or 10,000 hours of operation, whichever comes first, and once a year afterwards. Replacement of these parts is required if wear exceeds factory recommendations.

Their service life, however, depends on water quality and environment. More frequent inspection and maintenance are recommended in bad or severe water conditions.

Consult with your local Hoshizaki service agent about inspection and maintenance service.

3. BEFORE CALLING FOR SERVICE

▲WARNING

Do not damage the refrigerant circuit.

[a] Error Code Indication

If the error code "E" is indicated on the display, before calling for service, check the following.

Code	Remedy
E0	Possibility of water leaks. Turn OFF operation switch, and turn it ON again. If error code appears again, call for service.
E1	Low ice production. Turn OFF operation switch, and turn it ON again. If error code appears again, call for service.
E2	Water supply circuit failure. Turn OFF operation switch, and turn it ON again. If error code appears again, call for service.
E3	Gear motor failure. Turn OFF operation switch, and turn it ON again after 10 minutes. If error code appears again, call for service.
E4	Abnormal high side pressure. Clean air filter. Check that icemaker is properly installed according to installation manual. Turn OFF operation switch, and turn it ON again. If error code appears again, call for service.
E5	Electric circuit failure. Turn OFF operation switch, and turn it ON again. If error code appears again, call for service.
E8	Compressor could be overheated. Check that icemaker is properly installed according to installation manual. Turn OFF operation switch, and turn it ON again after 10 minutes. If error code appears again, call for service.
EA	Electric circuit failure. Turn OFF operation switch, and turn it ON again. If error code appears again, call for service.
Eb	Electric circuit failure. Turn OFF operation switch, and turn it ON again. If error code appears again, call for service.
EC	Electric circuit failure. Turn OFF operation switch, and turn it ON again. If error code appears again, call for service.
EE	Gear motor failure. Turn OFF operation switch, and turn it ON again. If error code appears again, call for service.
EF	Supply voltage is too low. Check that voltage is in required range and icemaker is not sharing a single receptacle with other appliances. Turn OFF operation switch, and turn it ON again. If error code appears again, call for service.
EH	Electric circuit failure. Turn OFF operation switch, and turn it ON again. If error code appears again, call for service.

ENGLISH

EL	Bin control switch has failed. Turn OFF operation switch, and turn it ON again. If error code appears again, call for service.
En	Electric circuit failure. Turn OFF operation switch, and turn it ON again. If error code appears again, call for service.
EU	Controller board failure. Turn OFF operation switch, and turn it ON again. If error code appears again, call for service.

[b] No Error Code Indication

If the icemaker does not work properly or does not work at all and no error code is indicated on the display, before calling for service, check that:

- * The power is supplied to the unit.
- * The water is turned on.
- * The air filter is clean.

For further assistance or advice, contact your local Hoshizaki service agent.

4. DISPOSAL

Comply with local regulations regarding disposal of this appliance and its refrigerant gas. Before you scrap the appliance, take off the door to prevent children trapped.

Correct disposal of this product:

This marking indicates that this product should not be disposed with other household wastes throughout the EU. To prevent possible harm to the environment or human health from uncontrolled waste disposal, recycle it responsibly to promote the sustainable reuse of material resources. To return your used device, use the return and collection systems or contact the retailer where the product was purchased. They can take this product for environmental safe recycling.



5. WARRANTY

Hoshizaki warrants to the original owner/user that all Hoshizaki branded products shall be free of defects in material and/or workmanship for the duration of the "warranty period". The warranty shall be effective for two years from the date of installation. Hoshizaki's liability under the terms of the warranty are limited and shall exclude routine servicing, cleaning, essential maintenance and/or repairs occasioned by misuse and installations not in accordance with Hoshizaki guidelines.

Warranty repairs should be completed by an approved Hoshizaki dealer or service agency using genuine Hoshizaki components.

To obtain full details of your warranty and approved service agency, please contact your dealer/supplier, or the nearest Hoshizaki Service office:

Europe, Middle East, Africa

Hoshizaki UK - UK, Ireland
TEL: +44 845 456 0585
FAX: +44 132 283 8331
uksales@hoshizaki.co.uk

Hoshizaki Middle East - Middle East
TEL: +971 48 876 612
FAX: +971 48 876 613
sales@hoshizaki.ae

Hoshizaki Deutschland - Germany, Switzerland, Austria
TEL: +49 2154 92810
FAX: +49 2154 928128
info@hoshizaki.de

Hoshizaki Nederland & België - Netherlands, Belgium, Luxembourg
TEL: +31 20 5650420 (Nederland)
TEL: +32 2 712 30 30 (België)
FAX: +31 20 6918768
sales@hoshizaki.nl (Nederland)
info@hoshizaki.be (België)

Hoshizaki France - France
TEL: +33 1 48 63 93 80
FAX: +33 1 48 63 93 88
info@hoshizaki.fr

Hoshizaki Iberia - Spain, Portugal
TEL: +34 93 478 09 52
FAX: +34 93 478 08 00
info@hoshizaki.es

Hoshizaki Europe B.V. - all other countries within Europe and Africa
TEL: +31 20 6918499
FAX: +31 20 6918768
sales@hoshizaki.nl

Asia, Oceania

Hoshizaki Singapore
 TEL: +65 6225 2612
 FAX: +65 6225 3219

Hoshizaki Hong Kong
 TEL: +852 2866-2108
 FAX: +852 2866-2109

Hoshizaki Taiwan
 TEL: +886 2 2748 1589
 FAX: +886 2 2747 1559

Hoshizaki Lancer
 TEL: +61 8 8268 1388
 FAX: +61 8 8268 1978

SPECIFICATIONS

Model	FM-150KE	FM-150KE-N	CM-140KE
Type	Air-cooled, flake ice	Air-cooled, nugget ice	Air-cooled, cubelet ice
Power Supply	1 phase 220-240V 50Hz	1 phase 220-240V 50Hz	1 phase 220-240V 50Hz
Electric Consumption	640W	640W	640W
Ice Production per 24h	150kg (ambient 10°C, water 10°C)	140kg (ambient 10°C, water 10°C)	140kg (ambient 10°C, water 10°C)
Dimensions	640mm(W) x 600mm(D) x 800(798-833)mm(H)	640mm(W) x 600mm(D) x 800(798-833)mm(H)	640mm(W) x 600mm(D) x 800(798-833)mm(H)
Refrigerant	R134a, 220g	R134a, 220g	R134a, 220g
Weight	Net: 71kg (Gross: 82kg)	Net: 71kg (Gross: 82kg)	Net: 71kg (Gross: 82kg)
Ambient Temp	5 - 40°C	5 - 40°C	5 - 40°C
Water Supply Temp	5 - 35°C	5 - 35°C	5 - 35°C
Water Supply Pressure	0.05 - 0.8 MPa (0.5 - 8 bar)	0.05 - 0.8 MPa (0.5 - 8 bar)	0.05 - 0.8 MPa (0.5 - 8 bar)
Voltage Range	Rated voltage ± 10%	Rated voltage ± 10%	Rated voltage ± 10%

Model	FM-150KE-50	FM-150KE-50-N	FM-120KE
Type	Air-cooled, flake ice	Air-cooled, nugget ice	Air-cooled, flake ice
Power Supply	1 phase 220-240V 50Hz	1 phase 220-240V 50Hz	1 phase 220V 60Hz
Electric Consumption	640W	640W	550W
Ice Production per 24h	150kg (ambient 10°C, water 10°C)	150kg (ambient 10°C, water 10°C)	145kg (ambient 10°C, water 10°C)
Dimensions	940mm(W) x 600mm(D) x 800(798-833)mm(H)	940mm(W) x 600mm(D) x 800(798-833)mm(H)	640mm(W) x 600mm(D) x 800(798-833)mm(H)
Refrigerant	R134a, 220g	R134a, 220g	R134a, 220g
Weight	Net: 81kg (Gross: 94kg)	Net: 81kg (Gross: 94kg)	Net: 71kg (Gross: 82kg)
Ambient Temp	5 - 40°C	5 - 40°C	5 - 40°C
Water Supply Temp	5 - 35°C	5 - 35°C	5 - 35°C
Water Supply Pressure	0.05 - 0.8 MPa (0.5 - 8 bar)	0.05 - 0.8 MPa (0.5 - 8 bar)	0.05 - 0.8 MPa (0.5 - 8 bar)
Voltage Range	Rated voltage ± 10%	Rated voltage ± 10%	Rated voltage ± 10%

Model	CM-110KE-50	FM-80KE	FM-80KE-N
Type	Air-cooled, cubelet ice	Air-cooled, flake ice	Air-cooled, nugget ice
Power Supply	1 phase 220V 60Hz	1 phase 220-240V 50Hz	1 phase 220-240V 50Hz
Electric Consumption	550W	300W	300W
Ice Production per 24h	120kg (ambient 10°C, water 10°C)	85kg (ambient 10°C, water 10°C)	85kg (ambient 10°C, water 10°C)
Dimensions	940mm(W) x 600mm(D) x 800(798-833)mm(H)	640mm(W) x 600mm(D) x 800(798-833)mm(H)	640mm(W) x 600mm(D) x 800(798-833)mm(H)
Refrigerant	R134a, 220g	R134a, 150g	R134a, 150g
Weight	Net: 81kg (Gross: 94kg)	Net: 65kg (Gross: 75kg)	Net: 65kg (Gross: 75kg)
Ambient Temp	5 - 40°C	5 - 40°C	5 - 40°C
Water Supply Temp	5 - 35°C	5 - 35°C	5 - 35°C
Water Supply Pressure	0.05 - 0.8 MPa (0.5 - 8 bar)	0.05 - 0.8 MPa (0.5 - 8 bar)	0.05 - 0.8 MPa (0.5 - 8 bar)
Voltage Range	Rated voltage ± 10%	Rated voltage ± 10%	Rated voltage ± 10%

ENGLISH

This product includes a hermetically sealed refrigeration system that contains fluorinated greenhouse gases covered by the Kyoto Protocol:

FM-150KE(-N)	R134a / GWP 1430 / 0.22kg	FM-120KE	R134a / GWP 1430 / 0.22kg
CM-140KE	R134a / GWP 1430 / 0.22kg	CM-110KE-50	R134a / GWP 1430 / 0.22kg
FM-150KE-50(-N)	R134a / GWP 1430 / 0.22kg	FM-80KE(-N)	R134a / GWP 1430 / 0.15kg

This product is insulated with foam blown with fluorinated greenhouse gases.

This product meets the essential health and safety requirements demanded by the following regulations:

EMC Directive (2004/108/EC)
Low Voltage Directive (2006/95/EC)
RoHS Directive (2011/65/EU)
Food Contact Materials Regulation (EC 1935/2004)

Manufacturer: Hoshizaki Europe Ltd.
Telford 70 Stafford Park 7, Telford, Shropshire TF3 3BQ England

INFORMATIONS DE SECURITE IMPORTANTES

Tout au long de ce manuel, des avis attirent votre attention sur des situations qui pourraient entraîner la mort, des blessures graves ou des dégâts à l'appareil.

▲AVERTISSEMENT	Signale une situation dangereuse qui, si elle n'est pas évitée, peut entraîner des blessures graves voire mortelles.
▲ATTENTION	Signale une situation dangereuse qui, si elle n'est pas évitée, peut entraîner des blessures mineures ou modérées.
AVIS	Signale une situation dangereuse qui, si elle n'est pas évitée, peut entraîner des dégâts à l'appareil.
▲HYGIENE	Signale des précautions importantes à prendre en matière d'hygiène et de sécurité alimentaire.
IMPORTANT	Signale des informations importantes sur l'utilisation de l'appareil et son entretien.

IMPORTANT

Ce livret est un élément essentiel qui fait partie intégrante du produit et il doit être conservé soigneusement par l'utilisateur.

Veillez lire attentivement les conseils et avertissements qu'il contient car ils ont pour but de fournir à l'utilisateur des informations essentielles pour la bonne utilisation et l'entretien correct du produit. En outre, il fournit à l'utilisateur des INDICATIONS sur les utilisations et les emplacements corrects de la machine à glace.

Veillez conserver précieusement ce livret pour toute référence ultérieure.

▲AVERTISSEMENT

Cette machine à glace a été conçue pour des applications commerciales ; elle ne peut être utilisée qu'aux fins auxquelles elle est expressément destinée.

Toute autre utilisation doit être considérée comme inappropriée et donc dangereuse. Le fabricant décline toute responsabilité pour les dégâts provoqués par une utilisation inappropriée, incorrecte et abusive.

L'installation, et le transfert le cas échéant, doivent être effectués par un personnel qualifié, conformément aux réglementations en vigueur et aux consignes du fabricant.

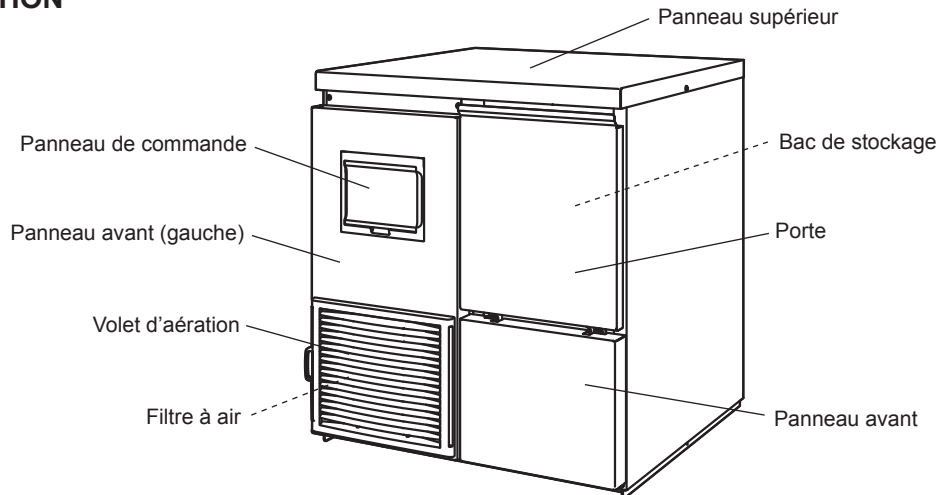
Veillez à ce que les ouvertures de ventilation de l'enceinte de l'appareil et de la structure intégrée ne soient pas obstruées.

L'utilisation de tout appareil électrique implique le respect de certaines règles fondamentales. En particulier :

- * En cas de forte humidité, les risques de court-circuit et d'électrocution augmentent. En cas de doute, débrancher la machine à glace.
- * Ne pas endommager le cordon d'alimentation et ne pas tirer sur le cordon d'alimentation pour débrancher la machine à glace.
- * Ne pas toucher les pièces électriques ou les commutateurs avec les mains humides.
- * Cette machine peut être utilisée par des enfants âgés de 8 ans et plus et par des personnes aux capacités physiques, sensorielles ou mentales réduites, ou par des personnes dont l'expérience et les connaissances sont limitées, dès lors qu'ils sont supervisés ou ont reçu des instructions relatives à l'utilisation de la machine en toute sécurité et qu'ils comprennent les dangers encourus.
- * Les enfants ne doivent pas jouer avec la machine.
- * Le nettoyage et l'entretien régulier ne doivent pas être effectués par des enfants sans surveillance.
- * Ne pas tenter de modifier la machine à glace. Cet appareil ne peut être démonté ou réparé que par du personnel qualifié.

I. CONSIGNES D'INSTALLATION

1. CONSTRUCTION



2. EMPLACEMENT

⚠ AVERTISSEMENT

Cette machine à glace n'est pas conçue pour être utilisée à l'extérieur.

La machine à glace ne doit pas être placée à proximité de fours, de grills ou de toute autre source de chaleur importante.

Cet appareil n'est pas conçu pour être installé dans une zone où un jet d'eau peut être utilisé.

⚠ ATTENTION

La machine à glace doit avoir une assise solide et horizontale.

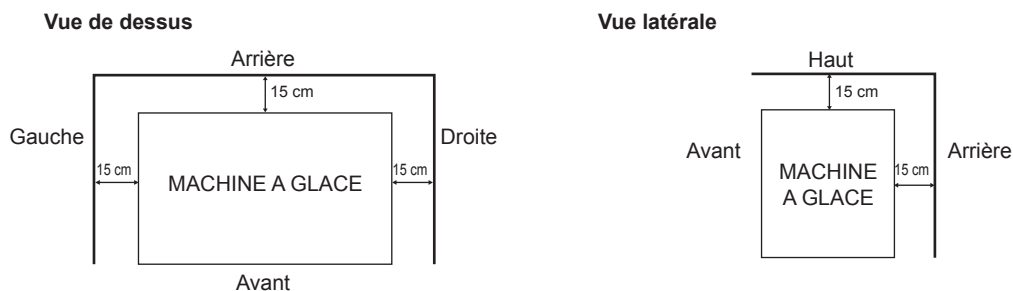
AVIS

Ne rien poser sur le dessus de la machine ni devant le volet d'aération.

IMPORTANT

La température ambiante normale de service doit être comprise entre 5 °C et 40 °C. Le raccordement à l'eau est uniquement pour de l'eau froide. Le fonctionnement de la machine en dehors de ces plages de températures, pendant des durées prolongées, risque d'affecter la capacité de production de glaçons.

Pour assurer une bonne circulation d'air et faciliter les opérations de maintenance ou d'entretien, prévoir le dégagement indiqué ci-dessous.



Dans certains environnements très humides, de la condensation peut se former à l'intérieur de la machine et couler sur le sol. Ne pas installer l'appareil sur un sol que l'eau pourrait endommager.

3. BRANCHEMENTS ELECTRIQUES

⚠ AVERTISSEMENT

CET APPAREIL DOIT ETRE MIS A LA TERRE

Cette machine à glace doit avoir une mise à la terre qui respecte les réglementations électriques nationales et locales.

Avant toute opération de maintenance, réparation ou nettoyage, débrancher l'alimentation électrique.

FRANCAIS

- * En général, l'installation nécessite une autorisation pour travaux électriques et les services d'un électricien qualifié.
- * Si le cordon d'alimentation est endommagé, il doit être remplacé par un cordon de rechange disponible auprès des centres de pièces détachées et d'entretien Hoshizaki.

Pour le Royaume-Uni et la République d'Irlande uniquement

- * Les fils du cordon d'alimentation électrique présentent le codage couleur suivant :

Vert et Jaune = Terre
Bleu = Neutre
Marron = Sous tension

La couleur des conducteurs du cordon d'alimentation de cet appareil peut ne pas correspondre au marquage couleur des bornes de votre fiche ; dans ce cas, procéder comme suit :

Le fil vert et jaune doit être relié à la borne de la fiche repérée par la lettre E ou par le symbole \perp ou la couleur verte ou verte et jaune. Le conducteur bleu doit être raccordé à la borne portant la lettre N ou de couleur noire. Le conducteur marron doit être raccordé à la borne portant la lettre L ou de couleur rouge.

- * Si la fiche livrée avec la machine ne convient pas aux prises du local d'installation, l'enlever (la couper s'il s'agit d'une fiche moulée) et en monter une autre.

Une fiche non recâblable enlevée doit être jetée. Elle ne peut en aucun cas être réutilisée. L'insertion de ce type de fiche dans une autre prise présente des risques graves de décharges électriques.

- * La fiche non recâblable ne doit jamais être utilisée sans un protège-fusible.

Le numéro de référence du protège-fusible amovible est imprimé sur la fiche. Utiliser cette référence pour toute commande de pièce.

Il est possible de se procurer des protège-fusibles de remplacement auprès des centres de pièces détachées et d'entretien Hoshizaki.

La capacité nominale des fusibles doit être de 13 A ; ils doivent être agréés selon la norme BS 1362.

4. BRANCHEMENTS D'ARRIVEE ET DE VIDANGE D'EAU

⚠ AVERTISSEMENT

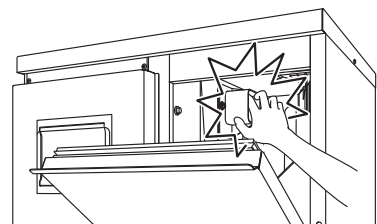
Raccorder à l'arrivée d'eau potable froide uniquement.

- * Les raccordements à l'alimentation en eau du réseau doivent être réalisés conformément aux exigences nationales en vigueur des réglementations sur l'alimentation en eau ou les raccords.
- * L'eau utilisée pour la fabrication de la glace doit être potable. Là où la qualité de l'eau peut entraîner la formation de calcaire, l'installation d'un filtre externe ou d'un adoucisseur est recommandée. Contactez le professionnel du traitement de l'eau ou l'agent de service Hoshizaki local.
- * Dans certaines régions, il est possible qu'il faille obtenir une autorisation pour effectuer les travaux de plomberie et avoir recours aux services d'un plombier autorisé.

II. CONSIGNES D'UTILISATION

⚠ ATTENTION

Ne pas marcher dans le bac de stockage ni mettre ses mains dans le compartiment de la machine situé à l'intérieur. Les enfants pourraient s'y retrouver coincés, ou le mécanisme de fabrication de glace se mettre en marche accidentellement, entraînant des risques de blessures.



AVIS

Toutes les pièces sont réglées en usine. Tout mauvais réglage risque de provoquer une panne.

Après avoir arrêté l'appareil, attendre au moins 3 minutes avant de le remettre sous tension pour éviter d'endommager le compresseur.

▲HYGIENE

Cette machine à glace est conçue pour produire de la glace alimentaire. Pour la maintenir dans un parfait état d'hygiène :

- * Se laver les mains avant d'extraire la glace. Utiliser la pelle en plastique (accessoire) prévue à cet effet.
- * Le bac de stockage est destiné uniquement à la glace. Ne conserver rien d'autre dans ce bac, et ne pas y utiliser d'autres équipements électriques.
- * Avant d'utiliser la machine, nettoyer le bac de stockage (voir « III. 1. NETTOYAGE »).
- * Veiller à la propreté de la pelle. La nettoyer en utilisant un produit nettoyant neutre et la rincer soigneusement.
- * Une fois la glace retirée, fermer la porte pour éviter que des saletés, de la poussière ou des insectes ne s'introduisent dans le bac de stockage.

1. MISE EN MARCHÉ

L'installateur met généralement la machine à glace en service pour mettre en route la production automatique de glace. Afin de garantir un fonctionnement en continu, s'assurer que :

- * Le robinet d'arrivée d'eau est ouvert et
- * La machine à glace est branchée sur l'alimentation électrique.

Pour démarrer le processus de fabrication de la glace, contrôler la position du bouton de marche/arrêt du panneau de commande :

Position « OFF » (Arrêt) - Mettre le bouton en position « ON » (Marche).
Position « ON » (Marche) - Appuyer sur le bouton ICE (Glace).

2. ARRET

Appuyer sur le bouton Stop du panneau de commande. L'affichage clignotera en mode « STOP » pendant 15 minutes durant l'opération de commande de vidange et s'allumera en continu à la fin de la commande de vidange.

3. PREPARATION DU DISTRIBUTEUR DE GLACE EN VUE D'UN ENTREPOSAGE DE LONGUE DUREE

AVIS

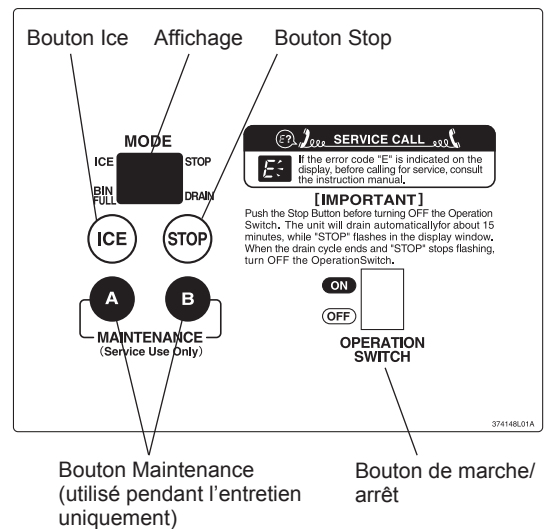
La machine à glace ne fonctionnera pas aux températures au-dessous de zéro. Pour prévenir tout dommage au niveau de la conduite d'alimentation en eau, vidanger la machine à glace lorsque la température de l'air est inférieure à zéro.

▲HYGIENE

En cas de mise hors tension de la machine à glace pendant au moins deux jours, la vidanger pour éviter une contamination du circuit d'eau.

- 1) Suivre les instructions de la section « 2. ARRET ».
- 2) Mettre le bouton de marche/arrêt sur « OFF ».
- 3) Fermer le robinet d'alimentation en eau.
- 4) Débrancher le tuyau d'arrivée du robinet d'arrivée d'eau et vidanger le tuyau.
- 5) Débrancher l'alimentation électrique.
- 6) Retirer toute la glace se trouvant dans le bac de stockage et nettoyer le bac.
- 7) Faites effectuer la vidange de la machine à glace par un technicien qualifié.
- 8) Pour redémarrer la machine à glace, suivre les instructions de la section « 1. MISE EN MARCHÉ ».

Panneau de commande



III. ENTRETIEN

1. NETTOYAGE

⚠ AVERTISSEMENT

Avant toute opération de nettoyage ou d'entretien, débrancher l'alimentation électrique de la machine à glace.

Cet appareil ne doit pas être nettoyé à l'aide d'un jet d'eau.

⚠ ATTENTION

En cas d'utilisation d'un produit neutre ou d'hypochlorite de sodium, bien lire et comprendre les consignes fournies pour éviter des problèmes de santé potentiels.

AVIS

Faire nettoyer et désinfecter le système d'eau de la machine à glace par un technicien qualifié au moins deux fois par an et faire vérifier et nettoyer le condenseur au moins une fois par an.

Afin d'éviter tout dommage possible, ne pas nettoyer les pièces en plastique avec de l'eau à plus de 40 °C ou dans un lave-vaisselle.

[a] Extérieur de la machine et du bac

Essuyer l'extérieur au moins une fois par semaine à l'aide d'un chiffon doux et propre. Pour éliminer les traces de graisse ou les salissures, utiliser un chiffon imbibé d'un produit de nettoyage neutre.

[b] Nettoyage/désinfection de la pelle et de la poignée du bac de stockage (quotidiennement)

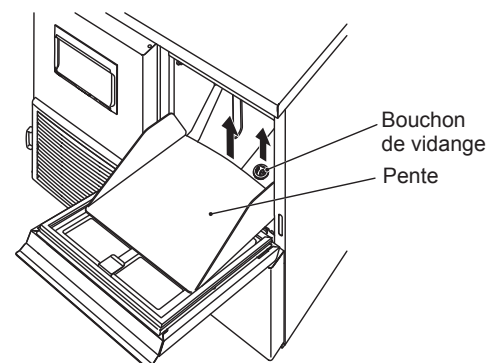
- 1) Mélanger 1 litre d'eau avec 4 ml de solution d'hypochlorite de sodium à 5,25 % dans un récipient adapté ou utiliser le désinfectant Hoshizaki en suivant les instructions d'utilisation du produit.
- 2) Plonger la pelle dans la solution pendant plus de 3 minutes. Rincer à fond et agiter pour éliminer l'excédent de liquide.
Remarque : Le séchage à l'aide d'un chiffon risque de provoquer une nouvelle contamination.
- 3) Utiliser un produit neutre pour nettoyer la poignée du bac de stockage. Rincer soigneusement.
- 4) Imbiber un chiffon propre de solution désinfectante et essuyer la poignée. Rincer avec de l'eau propre et sécher à l'aide d'un chiffon propre.

[c] Nettoyage/désinfection de l'intérieur du bac de stockage (hebdomadairement)

- 1) Ouvrir la porte du bac de stockage et retirer toute la glace.
- 2) Courber légèrement le plan incliné pour le libérer des guides gauche et droit.
- 3) Enlever le bouchon de vidange situé à la base du collecteur.
- 4) Laver le revêtement du bac, le plan incliné et le bouchon de vidange avec un produit nettoyant neutre non abrasif. Rincer soigneusement.

Remarque : Ne pas endommager l'actionneur de commande de bac situé dans la partie supérieure du collecteur.

- 5) Mélanger 5 litres d'eau avec 18 ml de solution d'hypochlorite de sodium à 5,25 % dans un récipient adapté ou utiliser le désinfectant Hoshizaki en suivant les instructions d'utilisation du produit.
- 6) Imbiber de solution une éponge ou un chiffon propre et essuyer le revêtement du bac, le plan incliné et le bouchon de vidange.
- 7) Remettre le plan incliné et le bouchon de vidange en place.
- 8) Nettoyer la surface de la porte du collecteur avec la solution. Fermer la porte du bac.



9) Le reste de la solution peut être utilisé pour désinfecter les ustensiles.

Remarque : Après désinfection, ne pas sécher ni rincer. Laisser sécher à l'air.

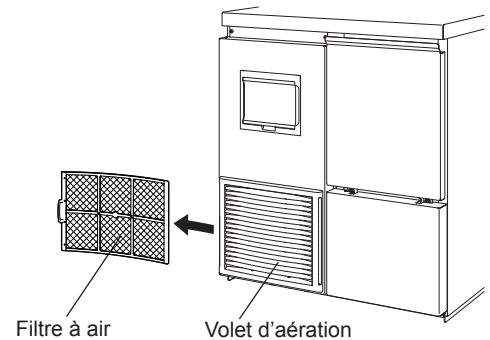
[d] Porte du collecteur

Nettoyer la porte du bac de stockage au moins une fois par semaine en utilisant un produit de nettoyage neutre non abrasif. Rincer soigneusement après le nettoyage et désinfecter si nécessaire.

[e] Filtre à air

Des filtres à air en plastique permettent de filtrer les impuretés et la poussière de l'air, et empêchent l'obturation du condenseur. En cas de colmatage des filtres, les performances de la machine à glace seront affectées. Déposer et nettoyer le(s) filtre(s) à air au moins deux fois par mois :

- 1) Faire glisser le filtre à air hors du volet d'aération.
- 2) Utiliser un aspirateur pour nettoyer le filtre à air. En cas de colmatage important, laver le filtre à air en utilisant une solution d'eau chaude et de produit nettoyant neutre.
- 3) Rincer et sécher soigneusement le filtre à air.



AVIS

Après nettoyage, veiller à remettre en place le filtre à air.

2. INSPECTION ET ENTRETIEN

AVIS

Pour obtenir des performances optimales de votre machine à glace, il est nécessaire d'effectuer une inspection et un entretien périodiques sur les pièces suivantes :

- Tête d'extrusion (palier supérieur)
- Carter (palier inférieur)
- Joint mécanique

Ces pièces doivent être inspectées au bout de deux ans à compter de l'installation ou au bout de 10 000 heures de fonctionnement, selon la première échéance, puis une fois par an. Le remplacement de ces pièces est requis si l'usure dépasse les recommandations d'usine.

Cependant, leur durée de vie dépend de la qualité de l'eau et de l'environnement. Il est recommandé d'intensifier la fréquence des inspections et entretiens si l'eau est de mauvaise qualité.

Consultez le réparateur Hoshizaki le plus proche de chez vous pour les opérations d'inspection et d'entretien.

3. AVANT D'APPELER UN REPARATEUR

⚠ AVERTISSEMENT

Veiller à ne pas endommager le circuit réfrigérant.

[a] Affichage d'un code d'erreur

Si un code d'erreur « E » s'affiche à l'écran, effectuer les contrôles suivants avant d'appeler un réparateur.

Code	Solution
E0	Il se peut qu'il y ait des fuites d'eau. Mettre le bouton de marche/arrêt sur OFF (Arrêt) et remettre celui-ci sur ON (Marche). Si ce code d'erreur apparaît à nouveau, appeler le réparateur.
E1	Faible production de glace Mettre le bouton de marche/arrêt sur OFF (Arrêt) et remettre celui-ci sur ON (Marche). Si ce code d'erreur apparaît à nouveau, appeler le réparateur.
E2	Défaillance du circuit d'alimentation en eau. Mettre le bouton de marche/arrêt sur OFF (Arrêt) et remettre celui-ci sur ON (Marche). Si ce code d'erreur apparaît à nouveau, appeler le réparateur.

E3	Défaillance du motoréducteur. Mettre le bouton de marche/arrêt sur OFF (Arrêt) et remettre celui-ci sur ON (Marche) au bout de 10 minutes. Si ce code d'erreur apparaît à nouveau, appeler le réparateur.
E4	Pression côté haut anormale Nettoyer le filtre à air. Vérifier que la machine à glace est correctement installée, conformément au Manuel d'installation. Mettre le bouton de marche/arrêt sur OFF (Arrêt) et remettre celui-ci sur ON (Marche). Si ce code d'erreur apparaît à nouveau, appeler le réparateur.
E5	Défaillance du circuit électrique. Mettre le bouton de marche/arrêt sur OFF (Arrêt) et remettre celui-ci sur ON (Marche). Si ce code d'erreur apparaît à nouveau, appeler le réparateur.
E8	Surchauffe éventuelle du compresseur. Vérifier que la machine à glace est correctement installée, conformément au Manuel d'installation. Mettre le bouton de marche/arrêt sur OFF (Arrêt) et remettre celui-ci sur ON (Marche) au bout de 10 minutes. Si ce code d'erreur apparaît à nouveau, appeler le réparateur.
EA	Défaillance du circuit électrique. Mettre le bouton de marche/arrêt sur OFF (Arrêt) et remettre celui-ci sur ON (Marche). Si ce code d'erreur apparaît à nouveau, appeler le réparateur.
Eb	Défaillance du circuit électrique. Mettre le bouton de marche/arrêt sur OFF (Arrêt) et remettre celui-ci sur ON (Marche). Si ce code d'erreur apparaît à nouveau, appeler le réparateur.
EC	Défaillance du circuit électrique. Mettre le bouton de marche/arrêt sur OFF (Arrêt) et remettre celui-ci sur ON (Marche). Si ce code d'erreur apparaît à nouveau, appeler le réparateur.
EE	Défaillance du motoréducteur. Mettre le bouton de marche/arrêt sur OFF (Arrêt) et remettre celui-ci sur ON (Marche). Si ce code d'erreur apparaît à nouveau, appeler le réparateur.
EF	Tension d'alimentation trop faible. Vérifier si la tension se trouve dans les limites requises et si la machine à glace ne partage pas la prise de courant avec d'autres appareils. Mettre le bouton de marche/arrêt sur OFF (Arrêt) et remettre celui-ci sur ON (Marche). Si ce code d'erreur apparaît à nouveau, appeler le réparateur.
EH	Défaillance du circuit électrique. Mettre le bouton de marche/arrêt sur OFF (Arrêt) et remettre celui-ci sur ON (Marche). Si ce code d'erreur apparaît à nouveau, appeler le réparateur.
EL	Défaillance du commutateur de commande de bac. Mettre le bouton de marche/arrêt sur OFF (Arrêt) et remettre celui-ci sur ON (Marche). Si ce code d'erreur apparaît à nouveau, appeler le réparateur.
En	Défaillance du circuit électrique. Mettre le bouton de marche/arrêt sur OFF (Arrêt) et remettre celui-ci sur ON (Marche). Si ce code d'erreur apparaît à nouveau, appeler le réparateur.
EU	Défaillance de la carte contrôleur. Mettre le bouton de marche/arrêt sur OFF (Arrêt) et remettre celui-ci sur ON (Marche). Si ce code d'erreur apparaît à nouveau, appeler le réparateur.

[b] Aucun affichage de code d'erreur

Si la machine à glace ne fonctionne pas correctement ou pas du tout et qu'aucun code d'erreur ne s'affiche à l'écran, effectuer les contrôles suivants avant d'appeler un réparateur :

- * L'appareil est sous tension.
- * Le robinet d'eau est ouvert.
- * Le filtre à air est propre.

Pour tout autre conseil ou assistance, contacter le réparateur Hoshizaki le plus proche de chez vous.

4. MISE AU REBUT

Respecter les réglementations locales relatives à la mise au rebut de cet appareil et de son fluide frigorigène. Avant de mettre l'appareil au rebut, enlever la porte pour éviter qu'un enfant ne reste emprisonné.

Mise au rebut correcte de ce produit :

Ce symbole indique que ce produit ne doit pas être mis au rebut avec d'autres déchets ménagers dans l'UE. Pour empêcher que le dépôt non contrôlé de déchets ne nuise à l'environnement ou à la santé, recycler ce produit de manière responsable de sorte que les ressources matérielles soient réutilisées durablement. Pour se débarrasser de l'appareil usagé, s'adresser aux services de collecte de déchets ou contacter le détaillant où le produit a été acheté. Ils peuvent prendre en charge ce produit et le recycler de manière respectueuse pour l'environnement.



5. GARANTIE

Hoshizaki garantit au propriétaire/à l'utilisateur d'origine que tous les produits portant la marque Hoshizaki seront exempts de tout défaut et/ou vice de fabrication au cours de la « période de garantie ». La garantie est valable deux ans à compter de la date d'installation.

La responsabilité de Hoshizaki aux termes de la garantie est limitée et exclut les interventions d'entretien de routine, de nettoyage, de maintenance essentielle et/ou les réparations découlant d'une utilisation abusive et d'installations non conformes aux directives de Hoshizaki.

Les réparations effectuées au titre de la garantie doivent être effectuées par un revendeur ou un réparateur agréé Hoshizaki utilisant des composants Hoshizaki d'origine.

Pour tout renseignement sur votre garantie et les agents de service agréés, veuillez prendre contact avec votre distributeur/fournisseur ou le centre de services Hoshizaki le plus proche :

Europe, Moyen Orient, Afrique

Hoshizaki UK - Royaume-Uni, Irlande
 TEL: +44 845 456 0585
 FAX: +44 132 283 8331
 uksales@hoshizaki.co.uk

Hoshizaki Middle East - Moyen Orient
 TEL: +971 48 876 612
 FAX: +971 48 876 613
 sales@hoshizaki.ae

Hoshizaki Deutschland - Allemagne, Suisse, Autriche
 TEL: +49 2154 92810
 FAX: +49 2154 928128
 info@hoshizaki.de

Hoshizaki Nederland & België - Pays-Bas, Belgique, Luxembourg
 TEL: +31 20 5650420 (Nederland)
 TEL: +32 2 712 30 30 (België)
 FAX: +31 20 6918768
 sales@hoshizaki.nl (Nederland)
 info@hoshizaki.be (België)

Hoshizaki France - France
 TEL: +33 1 48 63 93 80
 FAX: +33 1 48 63 93 88
 info@hoshizaki.fr

Hoshizaki Iberia - Espagne, Portugal
 TEL: +34 93 478 09 52
 FAX: +34 93 478 08 00
 info@hoshizaki.es

Hoshizaki Europe B.V. - tous les autres pays européens et Afrique
 TEL: +31 20 6918499
 FAX: +31 20 6918768
 sales@hoshizaki.nl

Asie, Océanie

Hoshizaki Singapore
 TEL: +65 6225 2612
 FAX: +65 6225 3219

Hoshizaki Hong Kong
 TEL: +852 2866-2108
 FAX: +852 2866-2109

Hoshizaki Taiwan
 TEL: +886 2 2748 1589
 FAX: +886 2 2747 1559

Hoshizaki Lancer
 TEL: +61 8 8268 1388
 FAX: +61 8 8268 1978

SPECIFICATIONS

Modèle	FM-150KE	FM-150KE-N	CM-140KE
Type	Refroidi par air, glace en paillettes	Refroidi par air, glace en pépites	Refroidi par air, glace en cubelets
Alimentation	1 phase 220 - 240 V 50 Hz	1 phase 220 - 240 V 50 Hz	1 phase 220 - 240 V 50 Hz
Consommation électrique	640W	640W	640W
Production de glace par 24 h	150 kg (air 10 °C, eau 10 °C)	140 kg (air 10 °C, eau 10 °C)	140 kg (air 10 °C, eau 10 °C)
Dimensions	640 mm (l) × 600 mm (P) × 800 (798-833) mm (H)	640 mm (l) × 600 mm (P) × 800 (798-833) mm (H)	640 mm (l) × 600 mm (P) × 800 (798-833) mm (H)
Fluide frigorigène	R134a, 220g	R134a, 220g	R134a, 220g
Poids	Net : 71 kg (brut : 82 kg)	Net : 71 kg (brut : 82 kg)	Net : 71 kg (brut : 82 kg)
Température ambiante	5 - 40 °C	5 - 40 °C	5 - 40 °C
Température de l'alimentation en eau	5 à 35 °C	5 à 35 °C	5 à 35 °C
Pression de l'alimentation en eau	0,05 - 0,8 MPa (0,5 - 8 bar)	0,05 - 0,8 MPa (0,5 - 8 bar)	0,05 - 0,8 MPa (0,5 - 8 bar)
Plage de tension	Tension nominale ± 10%	Tension nominale ± 10%	Tension nominale ± 10%

FRANCAIS

Modèle	FM-150KE-50	FM-150KE-50-N	FM-120KE
Type	Refroidi par air, glace en paillettes	Refroidi par air, glace en pépites	Refroidi par air, glace en paillettes
Alimentation	1 phase 220 - 240 V 50 Hz	1 phase 220 - 240 V 50 Hz	1 phase 220 V 60 Hz
Consommation électrique	640W	640W	550 W
Production de glace par 24 h	150 kg (air 10 °C, eau 10 °C)	150 kg (air 10 °C, eau 10 °C)	145 kg (air 10 °C, eau 10 °C)
Dimensions	940 mm (l) × 600 mm (P) × 800 (798-833) mm (H)	940 mm (l) × 600 mm (P) × 800 (798-833) mm (H)	640 mm (l) × 600 mm (P) × 800 (798-833) mm (H)
Fluide frigorigène	R134a, 220g	R134a, 220g	R134a, 220g
Poids	Net : 81 kg (Brut : 94 kg)	Net : 81 kg (Brut : 94 kg)	Net : 71 kg (brut : 82 kg)
Température ambiante	5 - 40 °C	5 - 40 °C	5 - 40 °C
Température de l'alimentation en eau	5 à 35 °C	5 à 35 °C	5 à 35 °C
Pression de l'alimentation en eau	0,05 - 0,8 MPa (0,5 - 8 bar)	0,05 - 0,8 MPa (0,5 - 8 bar)	0,05 - 0,8 MPa (0,5 - 8 bar)
Plage de tension	Tension nominale ± 10%	Tension nominale ± 10%	Tension nominale ± 10%

Modèle	CM-110KE-50	FM-80KE	FM-80KE-N
Type	Refroidi par air, glace en cubelets	Refroidi par air, glace en paillettes	Refroidi par air, glace en pépites
Alimentation	1 phase 220 V 60 Hz	1 phase 220 - 240 V 50 Hz	1 phase 220 - 240 V 50 Hz
Consommation électrique	550 W	300 W	300 W
Production de glace par 24 h	120 kg (air 10 °C, eau 10 °C)	85 kg (air 10 °C, eau 10 °C)	85 kg (air 10 °C, eau 10 °C)
Dimensions	940 mm (l) × 600 mm (P) × 800 (798-833) mm (H)	640 mm (l) × 600 mm (P) × 800 (798-833) mm (H)	640 mm (l) × 600 mm (P) × 800 (798-833) mm (H)
Fluide frigorigène	R134a, 220g	R134a, 150g	R134a, 150g
Poids	Net : 81 kg (Brut : 94 kg)	Net : 65 kg (Brut : 75 kg)	Net : 65 kg (Brut : 75 kg)
Température ambiante	5 - 40 °C	5 - 40 °C	5 - 40 °C
Température de l'alimentation en eau	5 à 35 °C	5 à 35 °C	5 à 35 °C
Pression de l'alimentation en eau	0,05 - 0,8 MPa (0,5 - 8 bar)	0,05 - 0,8 MPa (0,5 - 8 bar)	0,05 - 0,8 MPa (0,5 - 8 bar)
Plage de tension	Tension nominale ± 10%	Tension nominale ± 10%	Tension nominale ± 10%

Ce produit comprend un système de réfrigération hermétiquement fermé qui contient des gaz à effet de serre fluorés couverts par le Protocole de Kyoto :

FM-150KE(-N)	R134a / GWP 1430 / 0,22 kg	FM-120KE	R134a / GWP 1430 / 0,22 kg
CM-140KE	R134a / GWP 1430 / 0,22 kg	CM-110KE-50	R134a / GWP 1430 / 0,22 kg
FM-150KE-50(-N)	R134a / GWP 1430 / 0,22 kg	FM-80KE(-N)	R134a / GWP 1430 / 0,15 kg

Ce produit est isolé à l'aide de mousse soufflée avec des gaz à effet de serre fluorés.

Cet appareil est conforme aux exigences relatives à la santé et la sécurité des réglementations suivantes :

Directive EMC (2004/108/CE)

Directive basse tension (2006/95/CE)

Directive RoHS (2011/65/EU)

Règlement concernant les matériaux et objets destinés à entrer en contact avec des denrées alimentaires (CE 1935/2004)

Constructeur : Hoshizaki Europe Ltd.

Telford 70 Stafford Park 7, Telford, Shropshire TF3 3BQ Angleterre

WICHTIGE SICHERHEITSHINWEISE

Dieses Handbuch enthält Hinweise, die Sie auf Situationen aufmerksam machen sollen, die Tod, schwere Verletzungen oder Geräteschäden verursachen können.

▲WARNUNG	Kennzeichnet eine gefährliche Situation, die, wenn sie nicht vermieden wird, zum Tod oder zu schweren Verletzungen führen kann.
▲VORSICHT	Kennzeichnet eine gefährliche Situation, die, wenn sie nicht vermieden wird, zu leichten oder mittleren Verletzungen führen kann.
HINWEIS	Kennzeichnet eine gefährliche Situation, die, wenn sie nicht vermieden wird, zu Geräteschäden führen kann.
▲HYGIENE	Kennzeichnet wichtige Maßnahmen für Hygiene und Lebensmittelsicherheit.
WICHTIG	Kennzeichnet wichtige Informationen zu Gebrauch und Pflege des Gerätes.

WICHTIG	
Diese Broschüre ist ein integraler und wesentlicher Bestandteil des Produkts und ist deshalb vom Benutzer aufzubewahren.	
Bitte lesen Sie die Hinweise und Warnungen sorgfältig durch, da sie wichtige Informationen für eine fortgesetzte, sichere Verwendung und Wartung des Produkts enthalten. Außerdem gibt sie dem Benutzer NUR HINWEISE zur richtigen Wartung und zum Standort des Eisbereiters.	
Bitte heben Sie diese Bedienungsanleitung auf, damit Sie bei Bedarf darauf zurückgreifen können.	

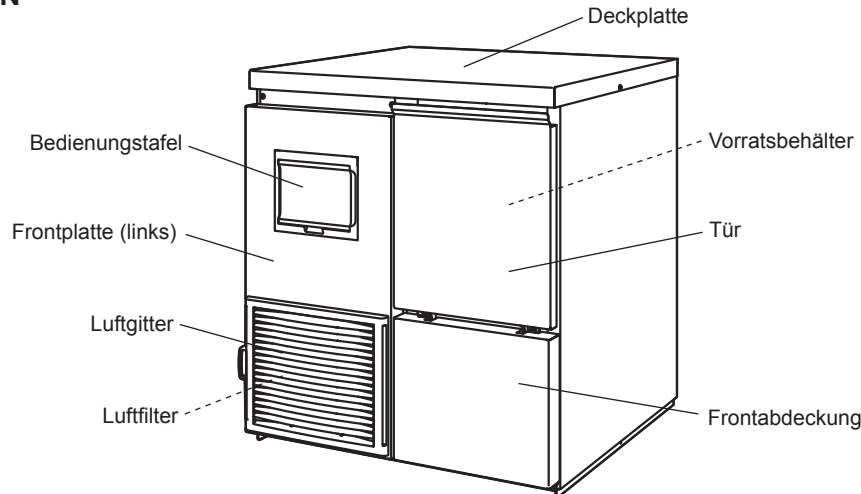
▲WARNUNG	
Dies ist ein Eisbereiter für den gewerblichen Einsatz, der ausschließlich für den vorgesehenen Zweck zu benutzen ist. Jede andere Verwendung ist als Zweckentfremdung und somit als gefährlich anzusehen. Der Hersteller übernimmt keine Haftung oder Verantwortung für Schäden, die durch missbräuchliche, falsche oder unangemessene Verwendung verursacht werden.	
Installation und erforderliche Standortverlegungen sind von qualifiziertem Personal in Übereinstimmung mit geltenden Vorschriften nach Angaben des Herstellers auszuführen.	
Die Lüftungsöffnungen im Gerätegehäuse oder im Innern des Gerätes nicht blockieren.	

Wie bei allen Elektrogeräten sind stets einige grundsätzliche Vorsichtsmaßnahmen zu beachten. Insbesondere:

- * Bei hoher Feuchtigkeit oder Nässe besteht Kurzschlussgefahr, wodurch ein elektrischer Schlag verursacht werden kann. Im Zweifelsfall ist der Netzstecker des Eisbereiters zu ziehen.
- * Das Stromkabel nicht beschädigen und nicht daran ziehen, um den Eisbereiter vom Stromnetz zu trennen.
- * Die elektrischen Komponenten und die Schalter nicht mit feuchten Händen berühren.
- * Dieses Gerät darf nicht von Personen (einschl. Kindern ab 8 Jahren) benutzt werden, deren physische, sensorische oder mentale Fähigkeiten eingeschränkt sind, die über keine Erfahrung und kein Wissen verfügen, es sei denn, sie werden von einer für ihre Sicherheit verantwortlichen Person bei der sicheren Benutzung des Gerätes beaufsichtigt oder angeleitet.
- * Kinder dürfen nicht mit dem Gerät spielen.
- * Reinigungs- und Wartungsarbeiten dürfen von Kindern nicht unbeaufsichtigt durchgeführt werden.
- * Am Eisbereiter dürfen keine Änderungen vorgenommen werden. Das Gerät darf nur von Fachpersonal zerlegt oder instandgesetzt werden.

I. INSTALLATIONSANLEITUNG

1. KONSTRUKTION



2. AUFSTELLORT

⚠️ WARNUNG

Dieser Eisbereiter eignet sich nicht für den Gebrauch im Freien.

Der Eiswürfelbereiter darf nicht neben Öfen, Grills oder anderen Geräten aufgestellt werden, die Hitze erzeugen.

Dieses Gerät eignet sich nicht für die Aufstellung in Räumen, in denen ggf. ein Wasserstrahl benutzt wird.

⚠️ VORSICHT

Der Aufstellort für den Eisbereiter muss stabil und eben sein.

HINWEIS

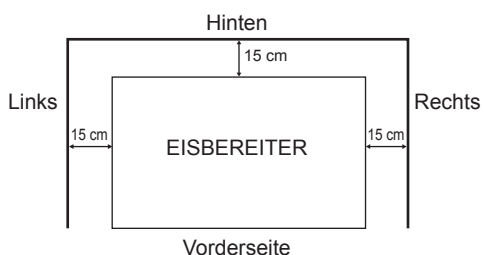
Keine Gegenstände auf die Deckplatte oder vor das Luftgitter des Eisbereiters stellen.

WICHTIG

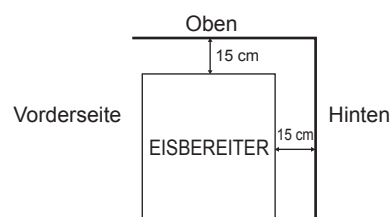
Für Normalbetrieb muss die Raumtemperatur zwischen 5 °C und 40 °C liegen. Der Wasseranschluss ist nur für kaltes Wasser. Längerer Gebrauch des Eisbereiters bei Temperaturen außerhalb dieser normalen Temperaturgrenzwerte kann die Produktionsleistung beeinträchtigen.

Die unten angegebenen Abstände einhalten, um eine optimale Luftzirkulation zu gewährleisten und die Wartung bzw. Pflege des Gerätes zu erleichtern.

Ansicht von oben



Seitenansicht



In Umgebungen mit hoher Feuchtigkeit kann sich Kondenswasser im Gerät bilden und auf den Boden tropfen. Das Gerät nicht auf Böden aufstellen, die durch Wasser beschädigt werden können.

3. ELEKTRISCHE ANSCHLÜSSE

⚠️ WARNUNG

DIESES GERÄT MUSS GEERDET WERDEN

Dieser Eisbereiter erfordert einen Schutzkontakt, der nationalen und lokalen Bestimmungen entspricht.

Die Stromversorgung ausschalten, bevor Wartungs-, Reparatur- oder Reinigungsarbeiten vorgenommen werden.

* In der Regel wird hierzu ein Elektriker mit entsprechender Qualifikation und Zulassung benötigt.

* Ist das Netzkabel beschädigt, muss es durch ein vom Hoshizaki-Ersatzteil-/Kundendienst erhältliches Ersatzkabel ersetzt werden.

Nur für das Vereinigte Königreich und die Republik Irland

* Die Drähte im Netzkabel sind nach dem folgenden Farbcode gekennzeichnet:

Grün & Gelb = Erde

Blau = Nullleiter

Braun = Spannungsführender Leiter

Die Farben der Adern im Netzkabel dieses Geräts stimmen möglicherweise nicht mit den Farbmarkierungen in Ihrem Stecker überein, daher bitte immer wie folgt vorgehen:

Der grün-gelbe Leiter ist an die Klemme anzuschließen, die mit dem Buchstaben E oder dem Symbol \perp bzw. grün oder gelb-grün markiert ist. Die blaue Ader ist an die Klemme anzuschließen, die mit dem Buchstaben N oder schwarz markiert ist. Die braune Ader ist an die Klemme anzuschließen, die mit dem Buchstaben L oder rot markiert ist.

* Falls der mit dem Gerät gelieferte Stecker für die Netzsteckdose am Installationsort ungeeignet ist, muss er entfernt (bzw. wenn er verkapselt ist, abgeschnitten) und durch einen passenden Stecker ersetzt werden.

Ein abgeschnittener, verkapselter (nicht zugänglicher Stecker) muss entsorgt werden. Versuchen Sie nicht, ihn wiederzuverwenden. Durch die Verwendung eines solchen Steckers in einer anderen Steckdose besteht die Gefahr eines elektrischen Schlags.

* Der verkapselte Stecker ist nie ohne angebrachte Sicherungsabdeckung zu verwenden.

Der richtige Ersatz für die abnehmbare Sicherungsabdeckung lässt sich anhand der Hersteller-Referenznummer ermitteln, die auf den Stecker gestanzt ist.

Ersatzabdeckungen für Sicherungen sind von Hoshizaki-Ersatzteil-/Service-Zentren erhältlich.

Es sind 13-A-Sicherungen zu verwenden, die die Norm BS 1362 erfüllen.

4. WASSERZULAUF- UND WASSERABLAUFANSCHLÜSSE

⚠ WARNUNG

Nur an die kalte Trinkwasserversorgung anschließen.

* Die Anschlüsse an die Hauptwasserversorgung müssen entsprechend den Anforderungen der aktuellen Wasserversorgungs- oder Wasseranschlussbestimmungen ausgeführt werden.

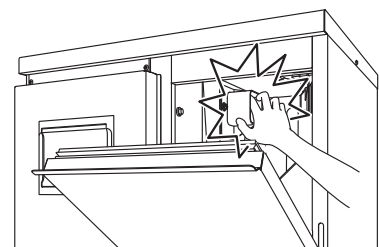
* Wasser für die Eisbereitung muss Trinkwasser sein. Wo Ablagerungen aufgrund der Wasserqualität entstehen können, es wird die Installation eines externen Filters oder Weichmachers empfohlen. Wenden Sie sich an Ihren örtlichen Wasseraufbereitungsspezialisten oder an den Hoshizaki-Kundendienst.

* In bestimmten Gebieten sind eine Installationsgenehmigung und der Anschluss durch einen zugelassenen Installateur erforderlich.

II. BEDIENUNGSANLEITUNG

⚠ VORSICHT

Nicht in den Vorratsbehälter hineinsteigen und nicht mit den Händen in das Maschinenfach im Vorratsbehälter greifen. Kinder könnten im Gerät eingeklemmt werden oder der Eisbereitermechanismus könnte sich plötzlich bewegen und Verletzungen verursachen.



HINWEIS

Alle Komponenten wurden werksseitig eingestellt. Unsachgemäße Einstellarbeiten können die ordnungsgemäße Funktion des Eispenders beeinträchtigen.

Um eine Beschädigung des Verdichters zu vermeiden, nach Ausschalten des Eisbereiter mindestens 3 Minuten lang warten, bevor das Gerät wieder eingeschaltet wird.

▲HYGIENE

Dieser Eisbereiter ist für die Herstellung von Trinkwassereis konzipiert. Aus Gründen der Hygiene:

- * Bitte immer die Hände waschen, bevor Eis entnommen wird. Zum Entnehmen von Eis immer die Kunststoffschaufel (Zubehör) verwenden.
- * Der Vorratsbehälter ist ausschließlich für Eis zu verwenden. Nichts anderes im Vorratsbehälter aufbewahren und keine anderen elektrischen Geräte im Vorratsbehälter verwenden.
- * Vorratsbehälter vor der Verwendung reinigen (siehe „III. 1. REINIGUNG“).
- * Die Eisschaufel sauberhalten. Stets ein neutrales Reinigungsmittel verwenden und gründlich abspülen.
- * Nach der Entnahme von Eis immer die Tür schließen, um das Eindringen von Schmutz, Staub oder Ungeziefer in den Vorratsbehälter zu verhindern.

1. INBETRIEBNAHME

Der Installateur nimmt den Eisbereiter normalerweise in Betrieb, so dass die automatische Eisherstellung beginnt. Für Dauerbetrieb ist darauf zu achten:

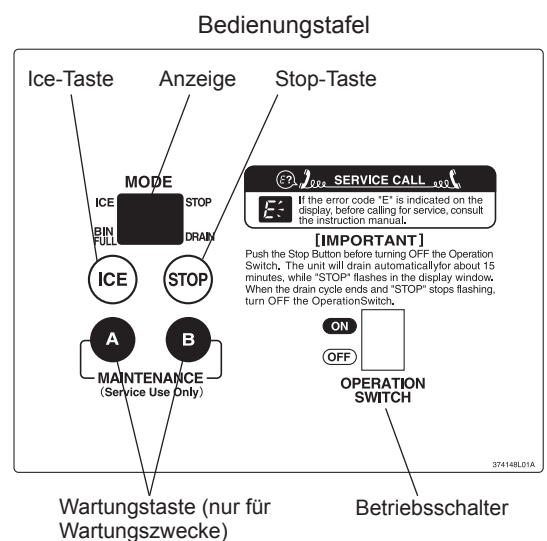
- * dass der Wasserhahn geöffnet ist und
- * dass der Eisbereiter an das Netz angeschlossen ist.

Um mit der Eisproduktion zu beginnen, die Position des Betriebsschalters auf der Bedienungstafel kontrollieren:

- „OFF“-Position - in die „ON“-Position stellen.
- „ON“-Position - die Ice-Taste drücken.

2. AUSSCHALTEN

Die Stop-Taste auf der Bedienungstafel drücken. Die Anzeige blinkt im Modus „STOP“ 15 Minuten lang während der Ablaufkontrollfunktion und leuchtet danach permanent, um das Ende der Ablaufkontrolle anzuzeigen.



3. MASSNAHMEN FÜR DIE LANGFRISTIGE LAGERUNG DES EISSPENDERS

HINWEIS

Dieser Eisbereiter arbeitet nicht bei Temperaturen unter Null. Um Schaden an der Wasserzufuhrleitung zu vermeiden, ist das Wasser aus dem System zu entfernen, sobald die Lufttemperatur unter 0 °C sinkt.

▲HYGIENE

Wird der Eisbereiter zwei Tage oder länger ausgeschaltet, das Wasser aus dem Eisbereiter ablassen, um eine Verunreinigung des Wasserkreises zu vermeiden.

- 1) Den Anweisungen unter „2. AUSSCHALTEN“ folgen.
- 2) Den Netzschalter auf „OFF“ stellen.
- 3) Wasserhahn der Wasserzufuhrleitung schließen.
- 4) Zulaufschlauch vom Wasserzulaufhahn abschrauben und das Wasser aus dem Schlauch ablaufen lassen.
- 5) Die Stromverbindung unterbrechen.
- 6) Alles Eis aus dem Vorratsbehälter entfernen und den Behälter reinigen.
- 7) Den Eisbereiter von professionellem, qualifiziertem Personal entleeren lassen.
- 8) Um den Eisbereiter neu zu starten, die Hinweise unter „1. INBETRIEBNAHME“ befolgen.

III. WARTUNG

1. REINIGUNG

⚠️ WARNUNG

Vor Durchführung von Reinigungs- oder Wartungsarbeiten immer den Netzstecker des Eisbereiters ziehen.

Dieses Gerät darf nicht mit einem Wasserstrahl gereinigt werden.

⚠️ VORSICHT

Bei der Verwendung eines Neutralreinigers oder von Natriumhypochlorit die Hinweise zur Vermeidung von Gesundheitsschäden aufmerksam lesen und beachten.

HINWEIS

Den Eisbereiter mindestens zweimal im Jahr von qualifiziertem Fachpersonal reinigen und desinfizieren lassen; den Verflüssiger mindestens einmal im Jahr prüfen und reinigen lassen.

Um Beschädigungen zu vermeiden, Kunststoffteile nicht mit über 40 °C heißem Wasser oder in einem Geschirrspüler reinigen.

[a] Gerät und Außenseite des Vorratsbehälters

Alle Außenflächen mindestens einmal in der Woche mit einem sauberen, weichen Tuch abwischen. Fett- und Schmutzspuren mit einem feuchten Tuch und neutralem Reinigungsmittel entfernen.

[b] Reinigung/Desinfektion von Eisschaufel und Griff des Vorratsbehälters (täglich)

1) In einem geeigneten Behälter entweder 1 l Wasser mit 4 ml einer 5,25%igen Natriumhypochloritlösung mischen oder den empfohlenen Hoshizaki-Desinfizierer wie beschrieben verwenden.

2) Die Eisschaufel länger als 3 Minuten in der Lösung baden. Gründlich spülen und zum Entfernen der Restflüssigkeit gut schütteln.

Hinweis: Abtrocknen mit einem Tuch kann zu erneuter Verschmutzung führen.

3) Zum Abwaschen des Vorratsbehältergriffs einen Neutralreiniger benutzen. Gründlich spülen.

4) Ein sauberes Tuch mit der Desinfizierlösung tränken und den Griff abwischen. Benutzen Sie frisches Wasser und ein sauberes Tuch zum Abspülen bzw. Abwischen.

[c] Reinigung/Desinfektion der Innenflächen des Vorratsbehälters (wöchentlich)

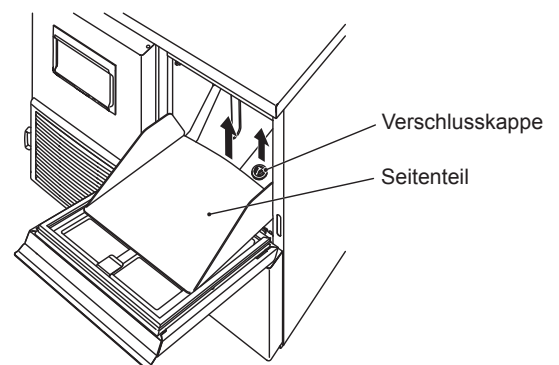
1) Vorratsbehältertür öffnen und sämtliches Eis entfernen.

2) Das Seitenteil leicht verdrehen, um es aus der linken und rechten Welle zu lösen.

3) Die Verschlusskappe vom Boden des Vorratsbehälters entfernen.

4) Die Auskleidung des Vorratsbehälters, das Seitenteil und die Verschlusskappe mit einem neutralen, nicht scheuernden Reinigungsmittel waschen. Gründlich spülen.

Hinweis: Darauf achten, dass das Vorratsbehälterstellglied am oberen Ende des Behälters nicht beschädigt wird.



5) In einem geeigneten Behälter entweder 5 l Wasser mit 18 ml einer 5,25%igen Natriumhypochloritlösung mischen oder den empfohlenen Hoshizaki-Desinfizierer wie beschrieben verwenden.

6) Einen sauberen Schwamm oder ein Tuch mit der Lösung tränken und die Auskleidung des Vorratsbehälters, das Seitenteil und die Verschlusskappe abwaschen.

7) Seitenteil und Verschlusskappe wieder anbringen.

8) Die Vorratsbehältertür mit der Lösung abwischen. Die Vorratsbehältertür schließen.

9) Mit der restlichen Lösung kann Zubehör desinfiziert werden.

Hinweis: Nach dem Desinfizieren weder trocken wischen noch spülen, sondern trocknen lassen.

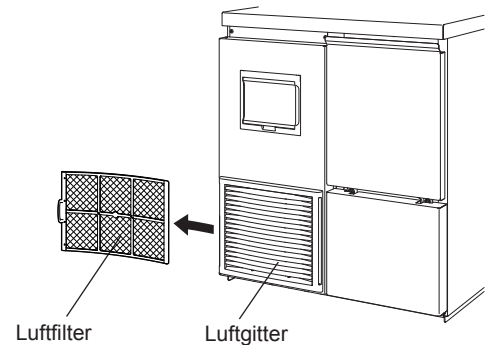
[d] Vorratsbehältertür

Die Vorratsbehältertür mindestens einmal pro Woche mit einem neutralen, nicht scheuernden Reinigungsmittel abwaschen. Nach dem Reinigen gründlich spülen und nach Bedarf desinfizieren.

[e] Luftfilter

Siebfilter aus Kunststoff entfernen Schmutz oder Staub aus der Luft und verhindern das Verstopfen des Verflüssigers. Wenn die Filter verstopfen, nimmt die Leistung des Eisbereiters ab. Die Luftfilter mindestens zweimal monatlich herausnehmen und reinigen:

- 1) Den Luftfilter vom Luftgitter schieben.
- 2) Luftfilter mit einem Staubsauger reinigen. Falls er sehr verstopft ist, Luftfilter mit warmem Wasser und einem Neutralreiniger auswaschen.
- 3) Den Luftfilter gründlich abspülen und trocknen.



HINWEIS

Nach der Reinigung nicht vergessen, den Luftfilter wieder einzusetzen.

2. INSPEKTION UND WARTUNG

HINWEIS

Folgende Teile müssen regelmäßig überprüft und gewartet werden, um eine optimale Leistung des Eisbereiters sicherzustellen:

- Presskopf (oberes Lager)
- Gehäuse (unteres Lager)
- Mechanische Dichtung

Diese Teile sollten zwei Jahre nach Installation oder nach 10.000 Betriebsstunden überprüft werden, je nachdem, welche Bedingung zuerst zutrifft. Anschließend sollte eine jährliche Überprüfung erfolgen. Bei Überschreiten der vom Hersteller angegebenen Verschleißgrenzen sind diese Teile zu ersetzen.

Allerdings hängt die tatsächliche Nutzungsdauer dieser Teile von der Wasserqualität und den Betriebsbedingungen ab. Bei schlechter Wasserqualität oder ungünstigen Betriebsbedingungen empfiehlt sich eine häufigere Überprüfung und Wartung.

Bei Fragen zu Inspektion und Wartung wenden Sie sich bitte an Ihren örtlichen Hoshizaki-Kundendienst.

3. VOR ANRUF DES KUNDENDIENSTES

⚠️ WARNUNG

Den Kältekreislauf nicht beschädigen.

[a] Fehlercodeanzeige

Wenn der Fehlercode „E“ auf der Anzeige aufleuchtet, überprüfen Sie das Folgende, bevor Sie den Wartungsdienst anrufen.

Code	Abhilfe
E0	Möglichkeit von Wasserlecks. Den Betriebsschalter auf „OFF“ und anschließend wieder auf „ON“ stellen. Falls der Fehlercode nochmals aufleuchtet, den Wartungsdienst rufen.
E1	Schwache Eisproduktion. Den Betriebsschalter auf „OFF“ und anschließend wieder auf „ON“ stellen. Falls der Fehlercode nochmals aufleuchtet, den Wartungsdienst rufen.
E2	Fehler im Wasserzufuhrkreis. Den Betriebsschalter auf „OFF“ und anschließend wieder auf „ON“ stellen. Falls der Fehlercode nochmals aufleuchtet, den Wartungsdienst rufen.

E3	Ausfall des Getriebemotors. Den Betriebsschalter auf „OFF“ und nach 10 Minuten wieder auf „ON“ stellen. Falls der Fehlercode nochmals aufleuchtet, den Wartungsdienst rufen.
E4	Ungewöhnlich hoher Seitendruck. Luftfilter säubern. Kontrollieren, dass der Eisbereiter entsprechend der Installationsanleitung installiert worden ist. Den Betriebsschalter auf „OFF“ und anschließend wieder auf „ON“ stellen. Falls der Fehlercode nochmals aufleuchtet, den Wartungsdienst rufen.
E5	Stromkreisausfall. Den Betriebsschalter auf „OFF“ und anschließend wieder auf „ON“ stellen. Falls der Fehlercode nochmals aufleuchtet, den Wartungsdienst rufen.
E8	Der Kompressor könnte überhitzt sein. Kontrollieren, dass der Eisbereiter entsprechend der Installationsanleitung installiert worden ist. Den Betriebsschalter auf „OFF“ und nach 10 Minuten wieder auf „ON“ stellen. Falls der Fehlercode nochmals aufleuchtet, den Wartungsdienst rufen.
EA	Stromkreisausfall. Den Betriebsschalter auf „OFF“ und anschließend wieder auf „ON“ stellen. Falls der Fehlercode nochmals aufleuchtet, den Wartungsdienst rufen.
Eb	Stromkreisausfall. Den Betriebsschalter auf „OFF“ und anschließend wieder auf „ON“ stellen. Falls der Fehlercode nochmals aufleuchtet, den Wartungsdienst rufen.
EC	Stromkreisausfall. Den Betriebsschalter auf „OFF“ und anschließend wieder auf „ON“ stellen. Falls der Fehlercode nochmals aufleuchtet, den Wartungsdienst rufen.
EE	Ausfall des Getriebemotors. Den Betriebsschalter auf „OFF“ und anschließend wieder auf „ON“ stellen. Falls der Fehlercode nochmals aufleuchtet, den Wartungsdienst rufen.
EF	Zufuhrspannung ist zu niedrig. Kontrollieren, dass sich die Spannung im erforderlichen Bereich befindet, und dass der Eisbereiter keine Steckdose mit anderen Geräten teilt. Den Betriebsschalter auf „OFF“ und anschließend wieder auf „ON“ stellen. Falls der Fehlercode nochmals aufleuchtet, den Wartungsdienst rufen.
EH	Stromkreisausfall. Den Betriebsschalter auf „OFF“ und anschließend wieder auf „ON“ stellen. Falls der Fehlercode nochmals aufleuchtet, den Wartungsdienst rufen.
EL	Der Behälterendschalter ist ausgefallen. Den Betriebsschalter auf „OFF“ und anschließend wieder auf „ON“ stellen. Falls der Fehlercode nochmals aufleuchtet, den Wartungsdienst rufen.
DE	Stromkreisausfall. Den Betriebsschalter auf „OFF“ und anschließend wieder auf „ON“ stellen. Falls der Fehlercode nochmals aufleuchtet, den Wartungsdienst rufen.
EU	Steuerplattenfehler. Den Betriebsschalter auf „OFF“ und anschließend wieder auf „ON“ stellen. Falls der Fehlercode nochmals aufleuchtet, den Wartungsdienst rufen.

[b] Keine Fehlercodeanzeige

Wenn der Eisbereiter nicht richtig oder gar nicht funktioniert und keine Fehlercodeanzeige aufleuchtet, kontrollieren Sie das Folgende, bevor Sie den Wartungsdienst anrufen:

- * Das Gerät ist mit dem Stromnetz verbunden.
- * Das Wasser ist eingeschaltet.
- * Der Luftfilter ist sauber.

Wenn Sie weitere Hilfe oder Rat benötigen, wenden Sie sich an Ihren Hoshizaki-Kundendienst.

4. ENTSORGUNG

Die gesetzlichen Bestimmungen zur Entsorgung dieses Gerätes und des enthaltenen Kältemittelgases. Vor dem Verschrotten des Gerätes die Tür abnehmen, um zu vermeiden, dass sich Kinder im Gerät versehentlich einschließen.

Richtige Entsorgung dieses Gerätes:

Dieses Kennzeichen bedeutet, dass dieses Gerät in der EU nicht mit dem normalen Haushaltsmüll entsorgt werden darf. Um Schäden der Umwelt oder der menschlichen Gesundheit durch unkontrollierte Müllbeseitigung zu vermeiden, recyceln Sie das Gerät und fördern Sie damit die nachhaltige Wiederverwertung von stofflichen Ressourcen. Nutzen Sie die Rückgabe- und Sammelsysteme oder wenden Sie sich an den Händler, bei dem Sie das Gerät gekauft haben, um das gebrauchte Gerät zurückzugeben. Dort wird das Gerät der umweltfreundlichen Wiederverwertung zugeführt.



5. GEWÄHRLEISTUNG

Hoshizaki garantiert dem Originalbesitzer/-benutzer, dass alle Markenprodukte von Hoshizaki für die Dauer der „Garantiezeit“ frei von Material- und/oder Verarbeitungsfehlern sind. Die Garantie gilt für zwei Jahre ab Datum der Installation.

Die Haftung von Hoshizaki nach diesen Garantiebedingungen ist begrenzt. Sie schließt Routinewartung und Reinigung sowie Wartungs- und/oder Reparaturarbeiten aus, die durch missbräuchliche Benutzung oder fehlerhafte Installation verursacht worden sind.

Garantiereparaturen sind von einem zugelassenen Hoshizaki-Händler oder -Kundendienst mit Hoshizaki-Originalbauteilen auszuführen.

Für vollständige Informationen zur Gewährleistung und zugelassene Kundendienste wenden Sie sich bitte an Ihren Händler/Lieferanten oder den nächstgelegenen Hoshizaki-Kundendienst:

Europa, Naher Osten, Afrika

Hoshizaki UK - Großbritannien, Irland
 TEL: +44 845 456 0585
 FAX: +44 132 283 8331
 uksales@hoshizaki.co.uk

Hoshizaki Middle East - Naher Osten
 TEL: +971 48 876 612
 FAX: +971 48 876 613
 sales@hoshizaki.ae

Hoshizaki Deutschland - Deutschland, Schweiz, Österreich
 TEL: +49 2154 92810
 FAX: +49 2154 928128
 info@hoshizaki.de

Hoshizaki Nederland & België - Niederlande, Belgien, Luxemburg
 TEL: +31 20 5650420 (Niederlande)
 TEL: +32 2 712 30 30 (Belgien)
 FAX: +31 20 6918768
 sales@hoshizaki.nl (Niederlande)
 info@hoshizaki.be (Belgien)

Hoshizaki France - Frankreich
 TEL: +33 1 48 63 93 80
 FAX: +33 1 48 63 93 88
 info@hoshizaki.fr

Hoshizaki Iberia - Spanien, Portugal
 TEL: +34 93 478 09 52
 FAX: +34 93 478 08 00
 info@hoshizaki.es

Hoshizaki Europe B.V. - alle anderen Länder innerhalb Europa und Afrika
 TEL: +31 20 6918499
 FAX: +31 20 6918768
 sales@hoshizaki.nl

Asien, Ozeanien

Hoshizaki Singapore
 TEL: +65 6225 2612
 FAX: +65 6225 3219

Hoshizaki Hong Kong
 TEL: +852 2866-2108
 FAX: +852 2866-2109

Hoshizaki Taiwan
 TEL: +886 2 2748 1589
 FAX: +886 2 2747 1559

Hoshizaki Lancer
 TEL: +61 8 8268 1388
 FAX: +61 8 8268 1978

TECHNISCHE DATEN

Modell	FM-150KE	FM-150KE-N	CM-140KE
Typ	Luftgekühlt, Flockeneis	Luftgekühlt, Nuggeteis	Luftgekühlt, Würfeleis
Stromversorgung	1-phasig 220-240 V, 50 Hz	1-phasig 220-240 V, 50 Hz	1-phasig 220-240 V, 50 Hz
Anschlussleistung	640 W	640 W	640 W
Eisproduktion in 24 Std.	150 kg (Umgebung 10 °C, Wasser 10 °C)	140 kg (Umgebung 10 °C, Wasser 10 °C)	140 kg (Umgebung 10 °C, Wasser 10 °C)
Abmessungen	640 mm (B) x 600 mm (T) x 800 (798-833) mm (H)	640 mm (B) x 600 mm (T) x 800 (798-833) mm (H)	640 mm (B) x 600 mm (T) x 800 (798-833) mm (H)
Kältemittel	R134a, 220 g	R134a, 220 g	R134a, 220 g
Gewicht	Netto: 71 kg (Brutto: 82 kg)	Netto: 71 kg (Brutto: 82 kg)	Netto: 71 kg (Brutto: 82 kg)
Umgebungstemp.	5 - 40 °C	5 - 40 °C	5 - 40 °C
Wasserzufuhrtemp.	5 - 35 °C	5 - 35 °C	5 - 35 °C
Wasserzufuhrdruck	0,05 - 0,8 MPa (0,5 - 8 bar)	0,05 - 0,8 MPa (0,5 - 8 bar)	0,05 - 0,8 MPa (0,5 - 8 bar)
Versorgungsspannungsbereich	Nennspannung ± 10%	Nennspannung ± 10%	Nennspannung ± 10%

DEUTSCH

Modell	FM-150KE-50	FM-150KE-50-N	FM-120KE
Typ	Luftgekühlt, Flockeneis	Luftgekühlt, Nuggeteis	Luftgekühlt, Flockeneis
Stromversorgung	1-phasig 220-240 V, 50 Hz	1-phasig 220-240 V, 50 Hz	1-phasig 220 V, 60 Hz
Anschlussleistung	640 W	640 W	550 W
Eisproduktion in 24 Std.	150 kg (Umgebung 10 °C, Wasser 10 °C)	150 kg (Umgebung 10 °C, Wasser 10 °C)	145 kg (Umgebung 10 °C, Wasser 10 °C)
Abmessungen	940 mm (B) x 600 mm (T) x 800 (798-833) mm (H)	940 mm (B) x 600 mm (T) x 800 (798-833) mm (H)	640 mm (B) x 600 mm (T) x 800 (798-833) mm (H)
Kältemittel	R134a, 220 g	R134a, 220 g	R134a, 220 g
Gewicht	Netto: 81 kg (Brutto: 94 kg)	Netto: 81 kg (Brutto: 94 kg)	Netto: 71 kg (Brutto: 82 kg)
Umgebungstemp.	5 - 40 °C	5 - 40 °C	5 - 40 °C
Wasserzufuhrtemp.	5 - 35 °C	5 - 35 °C	5 - 35 °C
Wasserzufuhrdruck	0,05 - 0,8 MPa (0,5 - 8 bar)	0,05 - 0,8 MPa (0,5 - 8 bar)	0,05 - 0,8 MPa (0,5 - 8 bar)
Versorgungsspannungsbereich	Nennspannung ± 10%	Nennspannung ± 10%	Nennspannung ± 10%

Modell	CM-110KE-50	FM-80KE	FM-80KE-N
Typ	Luftgekühlt, Würfeleis	Luftgekühlt, Flockeneis	Luftgekühlt, Nuggeteis
Stromversorgung	1-phasig 220 V, 60 Hz	1-phasig 220-240 V, 50 Hz	1-phasig 220-240 V, 50 Hz
Anschlussleistung	550 W	300 W	300 W
Eisproduktion in 24 Std.	120 kg (Umgebung 10 °C, Wasser 10 °C)	85 kg (Umgebung 10 °C, Wasser 10 °C)	85 kg (Umgebung 10 °C, Wasser 10 °C)
Abmessungen	940 mm (B) x 600 mm (T) x 800 (798-833) mm (H)	640 mm (B) x 600 mm (T) x 800 (798-833) mm (H)	640 mm (B) x 600 mm (T) x 800 (798-833) mm (H)
Kältemittel	R134a, 220 g	R134a, 150 g	R134a, 150 g
Gewicht	Netto: 81 kg (Brutto: 94 kg)	Netto: 65 kg (Brutto: 75 kg)	Netto: 65 kg (Brutto: 75 kg)
Umgebungstemp.	5 - 40 °C	5 - 40 °C	5 - 40 °C
Wasserzufuhrtemp.	5 - 35 °C	5 - 35 °C	5 - 35 °C
Wasserzufuhrdruck	0,05 - 0,8 MPa (0,5 - 8 bar)	0,05 - 0,8 MPa (0,5 - 8 bar)	0,05 - 0,8 MPa (0,5 - 8 bar)
Versorgungsspannungsbereich	Nennspannung ± 10%	Nennspannung ± 10%	Nennspannung ± 10%

Dieses Produkt enthält ein hermetisch abgeschlossenes Kältesystem mit fluorierten Treibhausgasen nach dem Kyoto-Protokoll:

FM-150KE(-N)	R134a / GWP 1430 / 0,22 kg	FM-120KE	R134a / GWP 1430 / 0,22 kg
CM-140KE	R134a / GWP 1430 / 0,22 kg	CM-110KE-50	R134a / GWP 1430 / 0,22 kg
FM-150KE-50(-N)	R134a / GWP 1430 / 0,22 kg	FM-80KE(-N)	R134a / GWP 1430 / 0,15 kg

Für die Isolierung dieses Produktes wurde mit fluorierten Treibhausgasen aufgeschäumter Schaumstoff verwendet.

Dieses Gerät erfüllt die wesentlichen Sicherheits- und Gesundheitsanforderungen der folgenden Richtlinien:

Richtlinie zur elektromagnetischen Verträglichkeit (2004/108/EG)

Niederspannungsrichtlinie (2006/95/EG)

RoHS-Richtlinie (2011/65/EU)

VERORDNUNG über Materialien und Gegenstände, die dazu bestimmt sind, mit Lebensmitteln in Berührung zu kommen (EG 1935/2004)

**Hersteller: Hoshizaki Europe Ltd.
Telford 70 Stafford Park 7, Telford, Shropshire TF3 3BQ England**

BELANGRIJKE VEILIGHEIDSINFORMATIE

Overal in deze handleiding treft u opmerkingen aan die uw aandacht willen vestigen op situaties die zouden kunnen resulteren in overlijden, ernstig letsel of schade aan de machine.

▲WAARSCHUWING	Geeft een gevaarlijke situatie aan die, als deze niet wordt vermeden, zou kunnen resulteren in overlijden of ernstig letsel.
▲VOORZICHTIG	Geeft een gevaarlijke situatie aan die, als deze niet wordt vermeden, zou kunnen resulteren in licht of middelzwaar letsel.
LET OP	Geeft een gevaarlijke situatie aan die, als deze niet wordt vermeden, zou kunnen resulteren in schade aan de machine.
▲HYGIËNE	Geeft belangrijke voorzorgsmaatregelen aan met betrekking tot de hygiëne en voedselveiligheid.
BELANGRIJK	Geeft belangrijke informatie aan over het gebruik en de verzorging van de machine.

BELANGRIJK	
Dit boekje vormt een integraal en essentieel onderdeel van het product en moet goed worden bewaard door de gebruiker.	
Lees de richtlijnen en waarschuwingen in dit boekje zorgvuldig door, aangezien deze bedoeld zijn om de gebruiker van essentiële informatie te voorzien met betrekking tot duurzaam veilig gebruik en onderhoud van het product. Bovendien biedt het UITSLUITEND ADVIEZEN voor de gebruiker ten aanzien van de juiste bediening en de juiste locatie van de ijsmachine.	
Bewaar dit boekje zodat u het later, indien nodig, opnieuw kunt raadplegen.	

▲WAARSCHUWING	
Dit is een ijsmachine voor commerciële doeleinden en dit apparaat dient uitsluitend te worden gebruikt voor de toepassingen waarvoor het is ontworpen. Enige andere vorm van gebruik wordt als ongeschikt en dus gevaarlijk beschouwd. De fabrikant kan niet aansprakelijk of verantwoordelijk worden gesteld voor enige schade die ontstaat door ongeschikt, incorrect en onredelijk gebruik.	
De installatie en eventuele verplaatsing van de ijsmachine mag uitsluitend door gekwalificeerd personeel en overeenkomstig de plaatselijk geldende voorschriften worden uitgevoerd, waarbij de instructies van de fabrikant dienen te worden gevolgd.	
Houd ventilatieopeningen, zowel in de behuizing van de machine als in de inbouwstructuur, vrij van obstakels.	

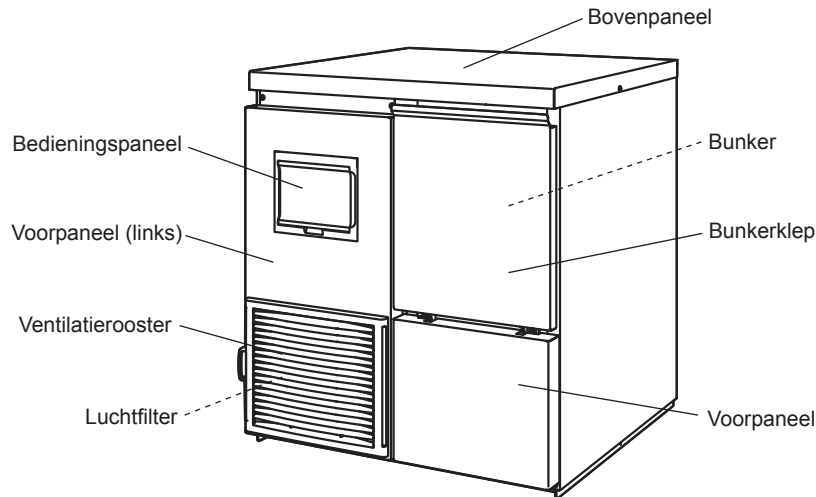
NEDERLANDS

Bij het gebruik van elektrische apparaten moeten bepaalde regels in acht worden genomen. In het bijzonder:

- * Vocht en hoge luchtvochtigheid verhogen de kans op kortsluiting en elektrische schokken. Trek de stekker van de ijsmachine uit het stopcontact als u niet zeker bent van de condities in de ruimte waar de ijsmachine is geplaatst.
- * Voorkom beschadiging van de voedingskabel en trek uitsluitend aan de stekker en niet aan de voedingskabel zelf als u de ijsmachine van de netvoeding wilt loskoppelen.
- * Raak de elektrische onderdelen of de schakelaars niet met vochtige handen aan.
- * Dit apparaat is niet bedoeld voor gebruik door kinderen jonger dan 8 jaar of personen met verminderde fysieke, zintuiglijke of geestelijke capaciteiten, of een gebrek aan ervaring en kennis, tenzij dit gebeurt onder toezicht of na het verkrijgen van instructies met betrekking tot het veilige gebruik van het apparaat en de persoon begrijpt welke gevaren aan het gebruik zijn verbonden.
- * Kinderen mogen niet met het apparaat spelen.
- * Reiniging en gebruikersonderhoud mag niet zonder toezicht door kinderen worden uitgevoerd.
- * Probeer niet de ijsmachine aan te passen. Alleen bevoegd personeel mag het apparaat demonteren of repareren.

I. INSTALLATIE-INSTRUCTIES

1. CONSTRUCTIE



2. PLAATSING

⚠ WAARSCHUWING

Deze ijsmachine is niet bestemd voor gebruik buitenshuis.

De ijsmachine mag niet naast een oven, grill of andere apparatuur die veel warmte afgeeft worden geplaatst.

Deze machine is niet geschikt om in een ruimte te worden geïnstalleerd die met een waterstraal wordt schoongespoten.

⚠ VOORZICHTIG

De ijsmachine moet waterpas op een stevige ondergrond worden geplaatst.

LET OP

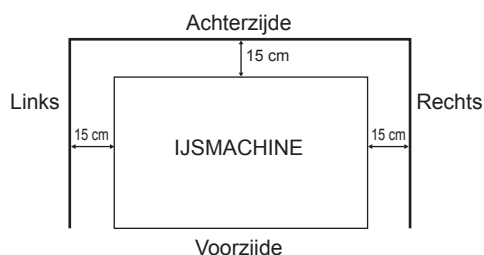
Plaats geen andere apparaten of voorwerpen bovenop de ijsmachine of voor de ventilatieopening.

BELANGRIJK

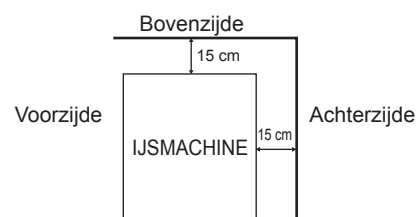
De normale omgevingstemperatuur bij bedrijf moet tussen 5 °C en 40 °C liggen. Er mag uitsluitend koud water worden toegevoerd. Bediening van de ijsmachine gedurende langere perioden buiten dit normale temperatuurbereik kan de productiecapaciteit beïnvloeden.

Houd aan de bovenkant de vrije ruimte aan die hieronder staat vermeld. Dit zorgt voor een optimale luchtcirculatie en vergemakkelijkt onderhouds- en/of reparatiewerkzaamheden.

Bovenaanzicht



Zijaanzicht



In sommige zeer vochtige omgevingen kan condensvorming optreden in de machine die vervolgens op de vloer druipt. Installeer de ijsmachine niet in een ruimte waar de vloer kan worden aangetast door water.

3. ELEKTRISCHE AANSLUITINGEN

⚠ WAARSCHUWING

DEZE MACHINE MOET WORDEN GEAARD

Deze ijsmachine moet worden geaard volgens de geldende voorschriften.

Verwijder de stekker uit het stopcontact voordat u onderhouds-, reparatie- of reinigingswerkzaamheden gaat uitvoeren.

NEDERLANDS

- * Normaalgesproken dient men te beschikken over de juiste vergunningen en/of de hulp in te roepen van een erkend elektricien.
- * Als de voedingskabel beschadigd is, moet deze worden vervangen door een vervangende kabel die verkrijgbaar is bij de onderdelen- en servicecentra van Hoshizaki.

Alleen voor het Verenigd Koninkrijk en Ierland:

- * De draden van de netvoeding hebben een kleurcode:
Groen/Geel = Aarde
Blauw = Neutraal
Bruin = Stroomvoerend

Als de gekleurde draden in de voedingskabel van deze machine zijn aangesloten op stekkerpolen met een afwijkende kleur, dient u het volgende te doen:

Sluit de groen/gele draad in de stekker aan op de groen/gele of groene stekkerpool of anders op de stekkerpool die is aangeduid met de letter E of het symbool \perp . Sluit de blauwe draad aan op de zwarte stekkerpool of op de stekkerpool die is aangeduid met de letter N. Sluit de bruine draad aan op de rode stekkerpool of op de stekkerpool die is aangeduid met de letter L.

- * Als het stopcontact waarop u de ijsmachine wilt aansluiten niet geschikt is voor de stekker die aan de voedingskabel van de ijsmachine zit, dient de stekker te worden verwijderd (een gegoten stekker wordt afgesneden) en vervangen door een geschikte stekker.

De gegoten stekker die van de voedingskabel is afgesneden, moet worden weggegooid. Hij mag niet opnieuw worden gebruikt. Wanneer deze stekker elders in een stopcontact wordt gestoken, zorgt dit voor een groot risico van elektrische schokken.

- * De gegoten stekker mag uitsluitend in combinatie met een zekeringhouder worden gebruikt.

Het referentienummer van de fabrikant is in de stekker ingeslagen. In geval u de zekeringhouder vervangt, dient een vervangend exemplaar van hetzelfde type te worden gebruikt.

Zekeringhouders zijn te verkrijgen via de onderdelen- en servicecentra van Hoshizaki.

Gebruik zekeringen van 13 A die zijn goedgekeurd volgens BS 1362.

4. AANSLUITING VAN WATERTOEOVOER- EN WATERAFVOERLEIDINGEN

⚠ WAARSCHUWING

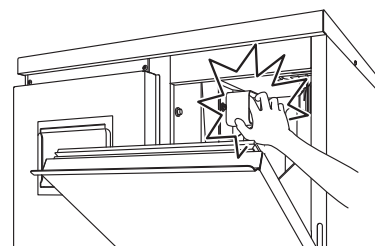
Mag alleen worden aangesloten op een drinkwaterleiding voor koud water.

- * De aansluitingen aan de drinkwaterleiding moeten worden uitgevoerd in overeenstemming met de huidige vereisten van het land in de regelgeving met betrekking tot watertoevoer of -accessoires.
- * Het water om ijs mee te maken moet drinkwater zijn. Waar vorming van ketelsteen kan optreden ten gevolge van de waterkwaliteit, installatie van een extern filter of zachtmaker wordt aanbevolen. Neem contact op met uw plaatselijke waterbehandelingspecialist of Hoshizaki-servicebedrijf.
- * In sommige gebieden kan een loodgietersvergunning of het inschakelen van een erkend loodgieter verplicht zijn.

II. BEDIENINGSINSTRUCTIES

⚠ VOORZICHTIG

Stap niet in de bunker en steek niet uw handen in het machinegedeelte binnen in de bunker. Kinderen kunnen opgesloten raken of het mechanisme van de ijsmachine kan plotseling in beweging komen, waardoor letsel ontstaat.



LET OP

Alle onderdelen zijn in de fabriek afgesteld. Onjuiste aanpassingen kunnen leiden tot storingen.

Om schade aan de compressor te voorkomen, dient u minstens 3 minuten te wachten met het opnieuw inschakelen van de ijsmachine nadat deze is uitgeschakeld.

▲HYGIËNE

Deze ijsmachine is bestemd voor de productie van consumptieijs. Neem de volgende punten in acht om de ijsmachine schoon te houden:

- * Was uw handen voordat u ijs uit het apparaat verwijdert. Gebruik de meegeleverde kunststof schep (toebehoren).
- * De bunker is uitsluitend bestemd voor de opslag van ijs. Bewaar geen andere zaken in de bunker en gebruik geen elektrische apparaten in de bunker.
- * Maak voor ingebruikname van de ijsmachine eerst de bunker schoon (zie "III. 1. REINIGEN").
- * Houd de schep schoon. Gebruik voor het reinigen een neutraal reinigingsmiddel en spoel grondig na.
- * Sluit de bunkerdeur onmiddellijk nadat u ijs heeft geschept om te voorkomen dat stof, vuil of insecten in de bunker terechtkomen.

1. OPSTARTEN

Gewoonlijk wordt de ijsmachine door de installateur in gebruik genomen, waarbij de automatische ijsproductie wordt gestart. Controleer het volgende om een continue werking te waarborgen:

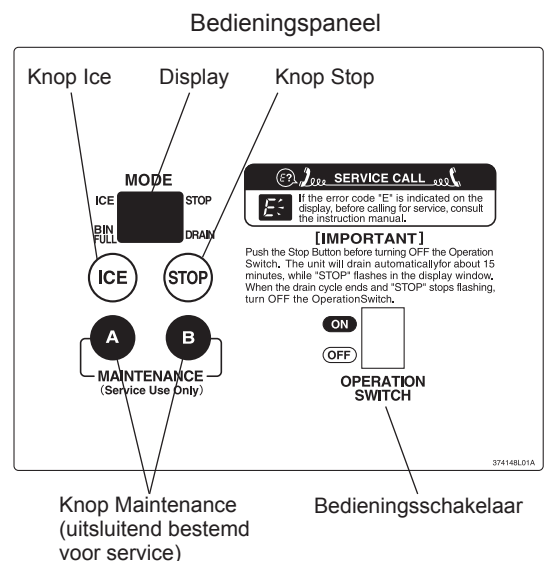
- * De waterkraan moet openstaan en
- * De ijsmachine moet zijn aangesloten op de voeding.

Start de ijsproductie door de stand van de bedieningsschakelaar op het bedieningspaneel te controleren:

Stand "OFF" - zet de bedieningsschakelaar op "ON".
Stand "ON" - druk op de knop Ice.

2. UITZETTEN

Druk op de knop Stop op het bedieningspaneel. Het display knippert gedurende 15 minuten in de modus "STOP" tijdens de werking van de afvoerbediening en begint weer continu te branden zodra de afvoerbediening is voltooid.



3. DE IJSMAKER GEREEDMAKEN VOOR LANGDURIGE OPSLAG

LET OP

Deze ijsmachine werkt niet bij temperaturen onder het vriespunt. Voorkom schade aan de watertoevoerleiding door het water uit het systeem af te tappen zodra de luchttemperatuur onder 0 °C daalt.

▲HYGIËNE

Als de ijsmachine twee dagen of langer wordt uitgeschakeld, tapt u het water af uit de ijsmachine om verontreiniging in het watercircuit te voorkomen.

- 1) Volg de instructies in "2. UITZETTEN".
- 2) Zet de bedieningsschakelaar op "OFF".
- 3) Draai de watertoevoerkraan dicht.
- 4) Koppel de toevoerslang los van de watertoevoerkraan en verwijder het water uit de slang.
- 5) Haal de stekker uit het stopcontact.
- 6) Verwijder alle ijs uit de bunker en maak de bunker schoon.

NEDERLANDS

7) Vraag een gekwalificeerde medewerker het water af te tappen uit de ijsmachine.

8) Volg de instructies in "1. OPSTARTEN" om de ijsmachine opnieuw te starten.

III. ONDERHOUD

1. REINIGEN

▲ WAARSCHUWING

Haal de stekker van de ijsmachine uit het stopcontact voordat u met schoonmaak- of onderhoudswerkzaamheden begint.

Deze machine mag niet worden gereinigd met behulp van een waterstraal of hogedrukreiniger.

▲ VOORZICHTIG

Bij gebruik van een neutraal schoonmaakmiddel of natriumhypochloriet leest u de meegeleverde instructies zorgvuldig door totdat u deze begrijpt om mogelijke gezondheidsproblemen te voorkomen.

LET OP

Het watersysteem van de ijsmachine moet minstens tweemaal per jaar worden gereinigd en gezuiverd door een professioneel onderhoudsmonteur. Daarnaast moet de condensor minstens eenmaal per jaar worden gecontroleerd en gereinigd.

Voorkom mogelijke schade door de kunststof onderdelen niet met water warmer dan 40 °C of in een afwasmachine te reinigen.

[a] Machine en buitenkant bunker

Reinig de buitenkant van de ijsmachine minstens eenmaal per week met een schone, zachte doek. Gebruik een vochtige doek met wat neutraal reinigingsmiddel voor het verwijderen van vet en vuil.

[b] Reiniging/ontsmetting van ijschep en handgreep van ijsbunker (dagelijks)

1) Meng 1 liter water met 4 ml 5,25% natriumhypochlorietoplossing in een geschikte houder of gebruik een door Hoshizaki aanbevolen ontsmettingsmiddel.

2) Week de schep gedurende meer dan 3 minuten in de oplossing. Spoel de schep zorgvuldig af met water en schud om overtollig water te verwijderen.

Opmerking: door het gebruik van een doek kan de schep opnieuw vuil worden.

3) Gebruik een neutraal schoonmaakmiddel voor de handgreep van de ijsbunker. Spoel de onderdelen zorgvuldig af.

4) Dompel een schoonmaakdoek in de ontsmettingsoplossing en veeg de handgreep hiermee af. Gebruik schoon water om na te spoelen en droog de handgreep met een schone doek.

[c] Reiniging/ontsmetting van binnenzijde bunker (wekelijks)

1) Open de bunkerklep en verwijder al het ijs uit de bunker.

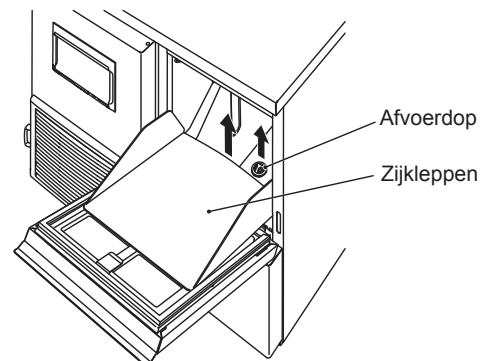
2) Verbuig de zijkleppen lichtjes om deze los te maken van de linker- en rechterschacht.

3) Verwijder de afvoerdop aan de onderkant van de bunker.

4) Reinig de binnenzijde van de bunker, de zijkleppen en de afvoerdop met een neutraal, niet-schurend reinigingsmiddel. Spoel de onderdelen zorgvuldig af.

Opmerking: Zorg ervoor dat de actuator voor de bunkerschakelaar aan de bovenkant van de bunker niet beschadigd raakt.

5) Meng 5 liter water met 18 ml 5,25% natriumhypochlorietoplossing in een geschikte houder of gebruik een door Hoshizaki aanbevolen ontsmettingsmiddel.



- 6) Dompel een schone spons of doek in de oplossing en veeg de binnenzijde van de bunker, de zijkleppen en de afvoerdop schoon.
- 7) Breng de zijkleppen en afvoerdop opnieuw aan.
- 8) Reinig het oppervlak van de bunkerklep met de oplossing. Sluit de bunkerklep.
- 9) De resterende oplossing kan worden gebruikt voor het ontsmetten van gebruiksvoorwerpen.

Opmerking: veeg of spoel voorwerpen niet af nadat u ze hebt ontsmet, maar laat ze drogen in de lucht.

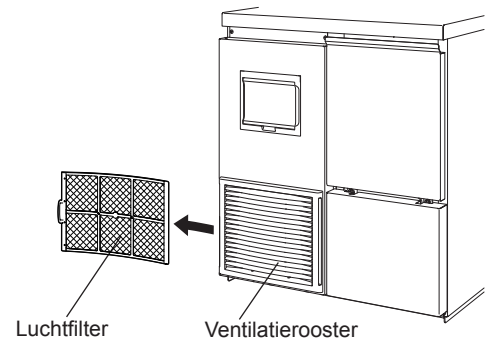
[d] Bunkerklep

Maak de bunkerklep minimaal één keer per week schoon met een neutraal, niet-schurend reinigingsmiddel. Spoel de klep na het reinigen zorgvuldig na en ontsmet deze indien nodig.

[e] Luchtfilter

Kunststof luchtfilters halen vuil en stof uit de lucht en voorkomen dat de condensor verstopt raakt. Als de filters verstopt raken, gaat de ijsmachine minder goed werken. Het luchtfilter of de luchtfilters moeten minstens tweemaal per maand worden verwijderd en gereinigd:

- 1) Schuif het luchtfilter van het ventilatierooster.
- 2) Reinig het luchtfilter met behulp van een stofzuiger. Gebruik bij ernstige vervuiling warm water en een neutraal schoonmaakmiddel om het luchtfilter schoon te maken.
- 3) Spoel het luchtfilter schoon en droog het zorgvuldig af.



LET OP

Plaats het luchtfilter na reiniging terug in de oorspronkelijke positie.

2. INSPECTIE EN ONDERHOUD

LET OP

Voor optimale prestaties van de ijsmachine moeten de volgende onderdelen periodiek worden geïnspecteerd en onderhouden:

- Perskop (bovenste lager)
- Behuizing (onderste lager)
- Mechanische afdichting

Deze onderdelen moeten twee jaar na installatie of na 10.000 bedrijfsuren (wat het eerst van toepassing is) worden geïnspecteerd. Vervolgens moet elk jaar een inspectie plaatsvinden. Deze onderdelen moeten worden vervangen wanneer ze zodanig zijn versleten dat ze niet meer voldoen aan de fabrieksaanbevelingen.

De gebruiksduur van deze onderdelen is echter afhankelijk van de waterkwaliteit en de omgeving. Frequentere inspecties en onderhoudsbeurten worden daarom aanbevolen wanneer sprake is van slechte of zeer slechte waterkwaliteit.

Neem contact op met uw plaatselijke Hoshizaki-serviceagent voor inspectie- en onderhoudsbeurten.

3. VOORDAT U BELT VOOR SERVICE

⚠ WAARSCHUWING

Beschadig het koelmiddelcircuit niet.

[a] Indicatie van foutcode

Als de foutcode "E" wordt aangegeven op het display, controleert u het volgende voordat u contact opneemt met de serviceorganisatie.

NEDERLANDS

Code	Oplossing
E0	Mogelijke waterlekkages. Zet de bedieningsschakelaar op OFF en vervolgens weer op ON. Als de foutcode opnieuw verschijnt, neemt u contact op met de serviceorganisatie.
E1	Lage ijsproductie. Zet de bedieningsschakelaar op OFF en vervolgens weer op ON. Als de foutcode opnieuw verschijnt, neemt u contact op met de serviceorganisatie.
E2	Storing bij watertoevoercircuit. Zet de bedieningsschakelaar op OFF en vervolgens weer op ON. Als de foutcode opnieuw verschijnt, neemt u contact op met de serviceorganisatie.
E3	Storing in aandrijfmotor. Zet de bedieningsschakelaar op OFF en vervolgens, na 10 minuten, weer op ON. Als de foutcode opnieuw verschijnt, neemt u contact op met de serviceorganisatie.
E4	Abnormaal hoge druk. Reinig luchtfilter. Controleer aan de hand van het installatievoorschrift of de ijsmachine correct is geïnstalleerd. Zet de bedieningsschakelaar op OFF en vervolgens weer op ON. Als de foutcode opnieuw verschijnt, neemt u contact op met de serviceorganisatie.
E5	Storing in het elektrische circuit. Zet de bedieningsschakelaar op OFF en vervolgens weer op ON. Als de foutcode opnieuw verschijnt, neemt u contact op met de serviceorganisatie.
E8	Compressor mogelijk oververhit. Controleer aan de hand van het installatievoorschrift of de ijsmachine correct is geïnstalleerd. Zet de bedieningsschakelaar op OFF en vervolgens, na 10 minuten, weer op ON. Als de foutcode opnieuw verschijnt, neemt u contact op met de serviceorganisatie.
EA	Storing in het elektrische circuit. Zet de bedieningsschakelaar op OFF en vervolgens weer op ON. Als de foutcode opnieuw verschijnt, neemt u contact op met de serviceorganisatie.
Eb	Storing in het elektrische circuit. Zet de bedieningsschakelaar op OFF en vervolgens weer op ON. Als de foutcode opnieuw verschijnt, neemt u contact op met de serviceorganisatie.
EC	Storing in het elektrische circuit. Zet de bedieningsschakelaar op OFF en vervolgens weer op ON. Als de foutcode opnieuw verschijnt, neemt u contact op met de serviceorganisatie.
EE	Storing in aandrijfmotor. Zet de bedieningsschakelaar op OFF en vervolgens weer op ON. Als de foutcode opnieuw verschijnt, neemt u contact op met de serviceorganisatie.
EF	Voedingsvoltage te laag. Controleer of het voltage zich in het vereiste bereik bevindt en of de ijsmachine niet één stopcontact moet delen met andere apparaten. Zet de bedieningsschakelaar op OFF en vervolgens weer op ON. Als de foutcode opnieuw verschijnt, neemt u contact op met de serviceorganisatie.
EH	Storing in het elektrische circuit. Zet de bedieningsschakelaar op OFF en vervolgens weer op ON. Als de foutcode opnieuw verschijnt, neemt u contact op met de serviceorganisatie.
EL	Bunkerschakelaar werkt niet. Zet de bedieningsschakelaar op OFF en vervolgens weer op ON. Als de foutcode opnieuw verschijnt, neemt u contact op met de serviceorganisatie.
En	Storing in het elektrische circuit. Zet de bedieningsschakelaar op OFF en vervolgens weer op ON. Als de foutcode opnieuw verschijnt, neemt u contact op met de serviceorganisatie.
EU	Storing in de besturingsprintplaat. Zet de bedieningsschakelaar op OFF en vervolgens weer op ON. Als de foutcode opnieuw verschijnt, neemt u contact op met de serviceorganisatie.

[b] Geen indicatie foutcode

Als de ijsmachine niet goed of helemaal niet werkt en er wordt geen foutcode aangegeven op het display, controleert u het volgende voordat u contact opneemt met de serviceorganisatie:

- * De machine heeft stroom.
- * De watertoevoer is ingeschakeld.
- * Het luchtfilter is schoon.

Neem voor nadere assistentie of advies contact op met uw plaatselijke Hoshizaki-serviceagent.

4. VERWIJDERING

Houd u aan de lokale voorschriften met betrekking tot de verwijdering van het apparaat en zijn koelmiddelgas. Verwijder voordat u het apparaat afvoert de klep, om te voorkomen dat kinderen beklemd kunnen raken.

Juiste verwijdering van dit product:

Deze markering geeft aan dat dit product binnen de EU niet samen met ander huishoudelijk afval mag worden afgevoerd. Teneinde mogelijke milieuschade of schade aan de menselijke gezondheid ten gevolge van ongecontroleerde afvoer van afvalstoffen te vermijden, dient u het apparaat op verantwoorde wijze te recyclen om het duurzame hergebruik van materialen mogelijk te maken. U kunt uw gebruikte apparaat terugsturen via de bestaande systemen voor retournering en inzameling, of u kunt contact opnemen met de detailhandelaar waar het product is aangeschaft. Zij kunnen dit product innemen voor milieuveilige recycling.



5. GARANTIE

Hoshizaki garandeert de oorspronkelijke eigenaar/gebruiker dat alle producten van het merk Hoshizaki vrij zijn van materiaal- en/of productiefouten voor de duur van de "garantieperiode". De garantie is twee jaar geldig gerekend vanaf de installatiedatum. De aansprakelijkheid van Hoshizaki in het kader van de garantie is beperkt en omvat geen routineonderhoud, reiniging, essentieel onderhoud en/of reparaties ten gevolge van onjuist gebruik en installaties die niet volgens de richtlijnen van Hoshizaki zijn uitgevoerd.

Reparaties in het kader van de garantie moeten worden uitgevoerd door een goedgekeurde Hoshizaki-dealer of serviceorganisatie met behulp van authentieke Hoshizaki-onderdelen.

Voor volledige informatie over uw garantie en over goedgekeurde servicebedrijven, raadpleegt u uw dealer/leverancier of de dichtstbijzijnde vestiging van Hoshizaki.

Europa, Midden-Oosten, Afrika

Hoshizaki UK - Verenigd Koninkrijk, Ierland
TEL: +44 845 456 0585
FAX: +44 132 283 8331
uksales@hoshizaki.co.uk

Hoshizaki Middle East - Midden-Oosten
TEL: +971 48 876 612
FAX: +971 48 876 613
sales@hoshizaki.ae

Hoshizaki Deutschland - Duitsland, Zwitserland, Oostenrijk
TEL: +49 2154 92810
FAX: +49 2154 928128
info@hoshizaki.de

Hoshizaki Nederland & België - Nederland, België, Luxemburg
TEL: +31 20 5650420 (Nederland)
TEL: +32 2 712 30 30 (België)
FAX: +31 20 6918768
sales@hoshizaki.nl (Nederland)
info@hoshizaki.be (België)

Hoshizaki France - Frankrijk
TEL: +33 1 48 63 93 80
FAX: +33 1 48 63 93 88
info@hoshizaki.fr

Hoshizaki Iberia - Spanje, Portugal
TEL: +34 93 478 09 52
FAX: +34 93 478 08 00
info@hoshizaki.es

Hoshizaki Europe B.V. - alle andere Europese landen en Afrika
TEL: +31 20 6918499
FAX: +31 20 6918768
sales@hoshizaki.nl

Azië, Oceanië

Hoshizaki Singapore
TEL: +65 6225 2612
FAX: +65 6225 3219

Hoshizaki Hong Kong
TEL: +852 2866-2108
FAX: +852 2866-2109

Hoshizaki Taiwan
TEL: +886 2 2748 1589
FAX: +886 2 2747 1559

Hoshizaki Lancer
TEL: +61 8 8268 1388
FAX: +61 8 8268 1978

NEDERLANDS

SPECIFICATIES

Model	FM-150KE	FM-150KE-N	CM-140KE
Type	Luchtgekoeld, schaafigs	Luchtgekoeld, kleine ijsblokjes	Luchtgekoeld, ijsblokjes
Stroomvoorziening	1 fase 220 - 240V 50Hz	1 fase 220 - 240V 50Hz	1 fase 220 - 240V 50Hz
Stroomverbruik	640 W	640 W	640 W
IJsproductie per 24 uur	150 kg (omgevingstemperatuur 10 °C, water 10 °C)	140 kg (omgevingstemperatuur 10 °C, water 10 °C)	140 kg (omgevingstemperatuur 10 °C, water 10 °C)
Afmetingen	640 mm (B) × 600 mm (D) × 800 (798-833) mm (H)	640 mm (B) × 600 mm (D) × 800 (798-833) mm (H)	640 mm (B) × 600 mm (D) × 800 (798-833) mm (H)
Koelmiddel	R134a, 220 g	R134a, 220 g	R134a, 220 g
Gewicht	Netto: 71 kg (bruto: 82 kg)	Netto: 71 kg (bruto: 82 kg)	Netto: 71 kg (bruto: 82 kg)
Omgevingstemp.	5 - 40 °C	5 - 40 °C	5 - 40 °C
Watertemperatuur	5 - 35 °C	5 - 35 °C	5 - 35 °C
Waterdruk	0,05 - 0,8 MPa (0,5 - 8 bar)	0,05 - 0,8 MPa (0,5 - 8 bar)	0,05 - 0,8 MPa (0,5 - 8 bar)
Spanningsbereik	Nominale spanning ± 10%	Nominale spanning ± 10%	Nominale spanning ± 10%

Model	FM-150KE-50	FM-150KE-50-N	FM-120KE
Type	Luchtgekoeld, schaafigs	Luchtgekoeld, kleine ijsblokjes	Luchtgekoeld, schaafigs
Stroomvoorziening	1 fase 220 - 240V 50Hz	1 fase 220 - 240V 50Hz	1 fase 220 V 60 Hz
Stroomverbruik	640 W	640 W	550 W
IJsproductie per 24 uur	150 kg (omgevingstemperatuur 10 °C, water 10 °C)	150 kg (omgevingstemperatuur 10 °C, water 10 °C)	145 kg (omgevingstemperatuur 10 °C, water 10 °C)
Afmetingen	940 mm (B) × 600 mm (D) × 800 (798-833) mm (H)	940 mm (B) × 600 mm (D) × 800 (798-833) mm (H)	640 mm (B) × 600 mm (D) × 800 (798-833) mm (H)
Koelmiddel	R134a, 220 g	R134a, 220 g	R134a, 220 g
Gewicht	Netto: 81 kg (bruto: 94 kg)	Netto: 81 kg (bruto: 94 kg)	Netto: 71 kg (bruto: 82 kg)
Omgevingstemp.	5 - 40 °C	5 - 40 °C	5 - 40 °C
Watertemperatuur	5 - 35 °C	5 - 35 °C	5 - 35 °C
Waterdruk	0,05 - 0,8 MPa (0,5 - 8 bar)	0,05 - 0,8 MPa (0,5 - 8 bar)	0,05 - 0,8 MPa (0,5 - 8 bar)
Spanningsbereik	Nominale spanning ± 10%	Nominale spanning ± 10%	Nominale spanning ± 10%

Model	CM-110KE-50	FM-80KE	FM-80KE-N
Type	Luchtgekoeld, ijsblokjes	Luchtgekoeld, schaafigs	Luchtgekoeld, kleine ijsblokjes
Stroomvoorziening	1 fase 220 V 60 Hz	1 fase 220 - 240V 50Hz	1 fase 220 - 240V 50Hz
Stroomverbruik	550 W	300 W	300 W
IJsproductie per 24 uur	120 kg (omgevingstemperatuur 10 °C, water 10 °C)	85 kg (omgevingstemperatuur 10 °C, water 10 °C)	85 kg (omgevingstemperatuur 10 °C, water 10 °C)
Afmetingen	940 mm (B) × 600 mm (D) × 800 (798-833) mm (H)	640 mm (B) × 600 mm (D) × 800 (798-833) mm (H)	640 mm (B) × 600 mm (D) × 800 (798-833) mm (H)
Koelmiddel	R134a, 220 g	R134a, 150 g	R134a, 150 g
Gewicht	Netto: 81 kg (bruto: 94 kg)	Netto: 65 kg (bruto: 75 kg)	Netto: 65 kg (bruto: 75 kg)
Omgevingstemp.	5 - 40 °C	5 - 40 °C	5 - 40 °C
Watertemperatuur	5 - 35 °C	5 - 35 °C	5 - 35 °C
Waterdruk	0,05 - 0,8 MPa (0,5 - 8 bar)	0,05 - 0,8 MPa (0,5 - 8 bar)	0,05 - 0,8 MPa (0,5 - 8 bar)
Spanningsbereik	Nominale spanning ± 10%	Nominale spanning ± 10%	Nominale spanning ± 10%

Dit product bevat een hermetisch afgesloten koelsysteem dat gefluoreerde broeikasgassen bevatten waarop het Kyoto-protocol van toepassing is:

FM-150KE(-N) R134a / GWP 1430 / 0,22 kg

CM-140KE R134a / GWP 1430 / 0,22 kg

FM-150KE-50(-N) R134a / GWP 1430 / 0,22 kg

FM-120KE

CM-110KE-50

FM-80KE(-N)

R134a / GWP 1430 / 0,22 kg

R134a / GWP 1430 / 0,22 kg

R134a / GWP 1430 / 0,15 kg

Dit product is geïsoleerd met schuim dat is geblazen met behulp van gefluoreerde broeikasgassen.

Dit product voldoet aan de essentiële gezondheids- en veiligheidsvereisten die worden gespecificeerd in de volgende voorschriften:

EMC-richtlijn (2004/108/EG)

Laagspanningsrichtlijn (2006/95/EG)

RoHS-richtlijn (2011/65/EU)

Verordening inzake materialen en voorwerpen bestemd om met levensmiddelen in contact te komen (EG 1935/2004)

Fabrikant: Hoshizaki Europe Ltd.

Telford 70 Stafford Park 7, Telford, Shropshire TF3 3BQ Engeland

INFORMACIÓN IMPORTANTE DE SEGURIDAD

A lo largo de este manual aparecerán avisos para llamar su atención sobre situaciones que podrían tener como consecuencia la muerte, heridas graves o daños en la unidad.

▲ADVERTENCIA	Indica una situación peligrosa que, de no evitarse, podría tener como resultado la muerte o heridas graves.
▲ATENCIÓN	Indica una situación peligrosa que, de no evitarse, podría tener como resultado heridas leves o moderadas.
AVISO	Indica una situación peligrosa que, de no evitarse, podría tener como resultado daños en la unidad.
▲HIGIENE	Indica precauciones importantes para la higiene y la seguridad de la comida.
IMPORTANTE	Indica información importante acerca del uso y el cuidado de la unidad.

IMPORTANTE

Este folleto es una parte integral y esencial del producto y el usuario debe guardarlo en buenas condiciones.

Por favor, lea atentamente las indicaciones y observaciones de este folleto, que se proponen ofrecer al usuario toda la información esencial para el uso seguro y el mantenimiento del producto. Además, ofrece al usuario ÚNICAMENTE ASESORAMIENTO para realizar correctamente la instalación, el mantenimiento y las reparaciones de la máquina de hielo.

Por favor, guarde este folleto para cualquier futura consulta que sea necesaria.

▲ADVERTENCIA

Esta máquina de hielo comercial solo debe utilizarse para los fines para los que ha sido expresamente diseñada.

Cualquier otra utilización deberá considerarse inadecuada y, por lo tanto, potencialmente peligrosa. El fabricante no será responsable de ningún daño causado por un uso incorrecto, inadecuado o irracional.

La instalación y, si fuera necesario, la reubicación, deben ser realizadas únicamente por personal cualificado, de acuerdo con la normativa vigente y con las instrucciones del fabricante.

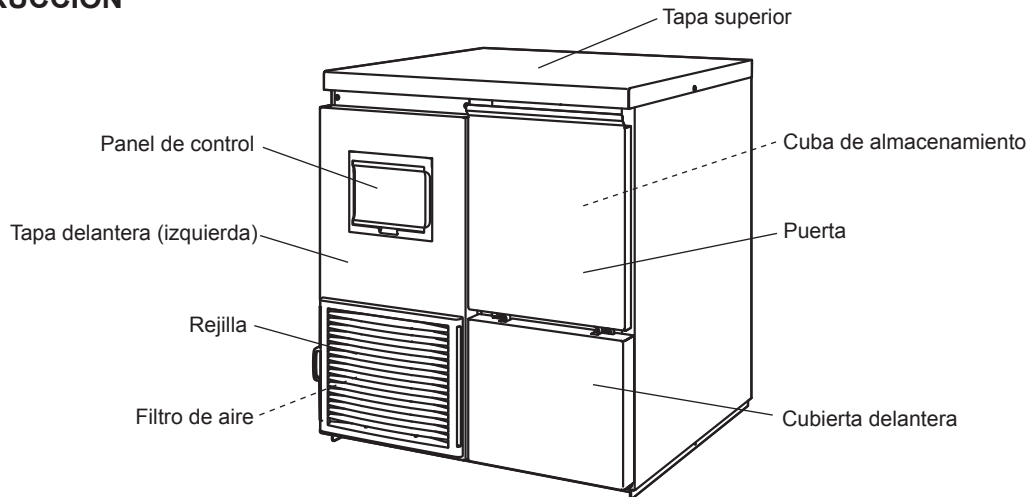
Mantenga los orificios de ventilación, de la carcasa de la máquina o de la estructura integrada, libres de cualquier obstrucción.

El uso de cualquier aparato eléctrico requiere tener presentes algunas normas fundamentales. En particular:

- * Un alto grado de humedad incrementa el riesgo potencial de cortocircuitos y de descargas eléctricas. En caso de duda, desconecte la máquina de hielo.
- * No dañe el cable de alimentación eléctrica ni tire de este para desconectar la máquina de hielo de la red eléctrica.
- * No toque las partes eléctricas ni manipule los interruptores con las manos húmedas.
- * Este equipo se puede utilizar por niños de 8 años o más y por personas con capacidades físicas, sensoriales o mentales reducidas, o bien por personas que carecen de experiencia o conocimientos adecuados, con tal de que se les supervise y hayan recibido instrucciones acerca del uso seguro del equipo y se les haya informado sobre los peligros potenciales.
- * Los niños no deben jugar con el equipo.
- * Los niños sin supervisión no deben realizar la limpieza ni el mantenimiento de usuario.
- * No trate de modificar la máquina de hielo. El desmontaje o la reparación de la máquina solo debe ser realizado por personal cualificado.

I. INSTRUCCIONES DE INSTALACIÓN

1. CONSTRUCCIÓN



2. UBICACIÓN

⚠ ADVERTENCIA

Esta máquina de hielo no está diseñada para uso en el exterior.

La máquina de hielo no debe colocarse cerca de hornos, parrillas u otras fuentes de calor.

Este aparato no es apropiado para su instalación en una zona en la que pueda haber un chorro de agua.

⚠ ATENCIÓN

La máquina de hielo debe ubicarse sobre una base firme y nivelada.

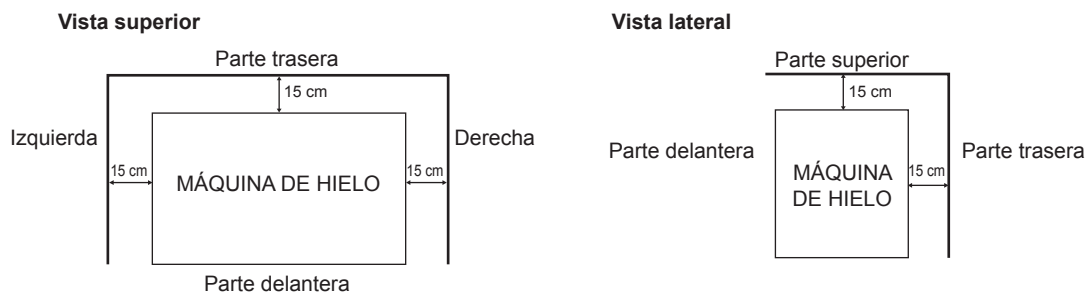
AVISO

No coloque nada encima de la máquina de hielo ni delante de la rejilla.

IMPORTANTE

La temperatura ambiente normal de funcionamiento deberá oscilar entre 5 °C y 40 °C. La conexión al suministro de agua es únicamente para agua fría. La utilización de la máquina de hielo fuera de estos márgenes de temperatura normal por periodos prolongados puede afectar su capacidad de producción.

Deje el espacio especificado a continuación para permitir la circulación de aire y facilitar las eventuales operaciones de reparación o mantenimiento.



Es posible que en algunos entornos con un nivel alto de humedad se forme condensación en el interior de la máquina y gotee en el suelo. No la instale en suelos sensibles al agua.

3. CONEXIONES ELÉCTRICAS

⚠ ADVERTENCIA

ESTA MÁQUINA DEBE CONECTARSE A TIERRA

Esta máquina de hielo requiere una conexión a tierra conforme a la normativa eléctrica nacional y local.

Antes de realizar operaciones de mantenimiento, reparación o limpieza, desconecte la unidad de la red eléctrica.

- * Normalmente son necesarios un permiso para obras eléctricas y los servicios de un electricista acreditado.
- * Si se daña el cable de alimentación, deberá sustituirse por un cable de repuesto disponible en los centros de repuestos/servicio de Hoshizaki.

Únicamente en el Reino Unido y la República de Irlanda

- * Los hilos del cable de red están coloreados de acuerdo con el código siguiente:

Verde y Amarillo = Tierra

Azul = Neutro

Marrón = Activo

Es posible que los colores de los hilos del cable de red de este equipo no se correspondan con las marcas de color que identifican los terminales del enchufe que se utilice. En ese caso, proceda del modo siguiente:

El hilo verde y amarillo se debe conectar al terminal del enchufe marcado con la letra E o con el símbolo \perp , o de color verde o de color verde-amarillo. El hilo azul debe conectarse al terminal marcado con la letra N o de color negro. El hilo marrón debe conectarse al terminal marcado con la letra L o de color rojo.

- * En caso de que las tomas de corriente del lugar donde se va a instalar no sean adecuadas para el enchufe que se suministra con el producto, debe sustituirse el enchufe (cortándolo si está moldeado) por uno adecuado.

Si la clavija no reutilizable se ha cortado del cable de alimentación, dicha clavija debe desecharse. No trate de reutilizarla. La introducción de esta clavija en cualquier toma de corriente representa un grave riesgo de descarga eléctrica.

- * La clavija no reutilizable no debe utilizarse nunca sin una tapa de fusibles montada.

El recambio correcto de la tapa de fusibles desmontable se identifica por el número de referencia del fabricante grabado en la propia clavija.

Puede obtener tapas de fusibles de repuesto en los centros de repuestos/servicio de Hoshizaki.

Los fusibles deben ser de 13 A y estar homologados según BS 1362.

4. SUMINISTRO DE AGUA Y CONEXIONES DE DRENAJE

⚠ ADVERTENCIA

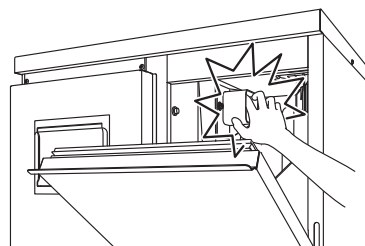
Conecte la máquina únicamente a un suministro de agua fría potable.

- * La conexión a la red de suministro general de agua debe hacerse según la regulación vigente de cada país en materia de suministro de agua o racores.
- * El agua de la máquina de hielo debe ser potable. En los casos en los que la acumulación de sarro se deba a la calidad del agua, se recomienda la instalación de un descalcificador o un filtro externo. Póngase en contacto con un profesional en el tratamiento de aguas local o con un agente de servicio de Hoshizaki.
- * En algunas localidades pueden ser necesarios un permiso para obras de fontanería y los servicios de un fontanero acreditado.

II. INSTRUCCIONES DE UTILIZACIÓN

⚠ ATENCIÓN

No entre en la cuba de almacenamiento o ponga las manos en el compartimento interno. Los niños pueden quedar atrapados dentro o el mecanismo de la máquina de hielo podría moverse repentinamente, lo que puede provocar heridas.



AVISO

Todos los componentes están ajustados de fábrica. Un ajuste incorrecto puede provocar averías.

Si desconecta la unidad, espere al menos 3 minutos antes de ponerla de nuevo en marcha para evitar que el compresor se averíe.

HIGIENE

Esta máquina de hielo ha sido diseñada para producir hielo comestible. Para mantener la higiene de la máquina:

- * Lávese las manos antes de extraer hielo. Utilice la pala de plástico que se suministra (accesorio).
- * La cuba de almacenamiento solo puede utilizarse para el hielo. No almacene en la cuba ninguna otra cosa ni utilice otros aparatos eléctricos en ella.
- * Limpie la cuba de almacenamiento antes de utilizarla (véase "III. 1. LIMPIEZA").
- * Mantenga la pala limpia. Límpiela con un detergente neutro y aclárela bien.
- * Cierre la puerta después de extraer hielo para evitar que entren suciedad, polvo o insectos en la cuba de almacenamiento.

1. PUESTA EN MARCHA

El instalador normalmente prepara la máquina de hielo para que arranque con el proceso automático de producción. Para garantizar el funcionamiento en régimen continuo, asegúrese de que:

- * La llave de paso de agua está abierta y que
- * La máquina de hielo está enchufada en la red de alimentación eléctrica.

Para iniciar el proceso de producción de hielo, compruebe la posición del interruptor de funcionamiento en el panel de control:

- Posición "OFF" (desactivado) - Sitúelo en la posición "ON" (activado).
- Posición "ON" (activado) - Pulse el botón Ice.

2. DESCONEXIÓN

Pulse el botón Stop del panel de control. Durante la operación de control de desagüe la pantalla parpadeará en el modo "STOP" durante 15 minutos y no dejará de hacerlo hasta el final de dicha operación.

3. PREPARACIÓN DE LA MÁQUINA DE HIELO PARA UN ALMACENAMIENTO PROLONGADO

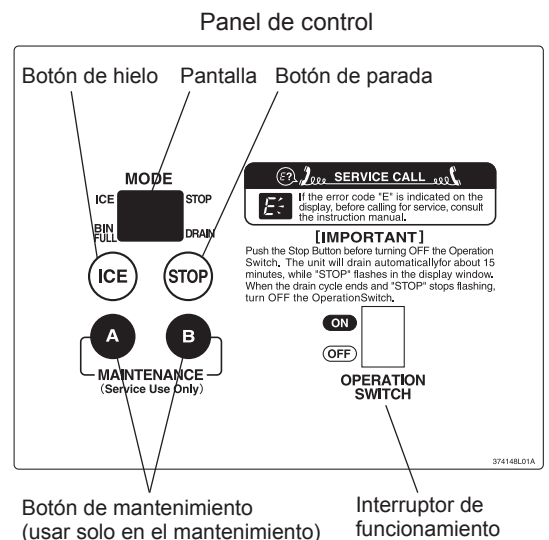
AVISO

Esta máquina de hielo no funciona a temperaturas inferiores al punto de congelación del agua. Para prevenir averías en la tubería de suministro de agua, drene la máquina de hielo cuando la temperatura del aire sea inferior a cero.

HIGIENE

Si va a tener la máquina de hielo apagada durante dos o más días, drénela para evitar la contaminación del circuito de agua.

- 1) Siga las instrucciones del paso "2. DESCONEXIÓN".
- 2) Lleve el interruptor de funcionamiento a la posición "OFF".
- 3) Cierre la llave de paso del agua.
- 4) Desconecte la manguera de entrada de la llave de paso de agua y vacíela.
- 5) Desconecte la fuente de alimentación.
- 6) Extraiga todo el hielo de la cuba de almacenamiento y límpiela.
- 7) Solicite a personal cualificado que realice el drenaje de la máquina de hielo.
- 8) Para reiniciar la máquina de hielo, sigas las instrucciones de "1. PUESTA EN MARCHA".



III. MANTENIMIENTO

1. LIMPIEZA

⚠ ADVERTENCIA

Antes de realizar cualquier operación de limpieza o mantenimiento, desenchufe la máquina de hielo de la red eléctrica.

Esta máquina no debe limpiarse con un chorro de agua.

⚠ ATENCIÓN

Si va a utilizar un detergente neutro o hipoclorito sódico, lea bien y asegúrese de entender las instrucciones proporcionadas para evitar posibles problemas de salud.

AVISO

Solicite a personal capacitado de mantenimiento la limpieza y esterilización del sistema de agua de la máquina de hielo al menos dos veces al año y la revisión y limpieza del condensador al menos una vez al año.

Para prevenir posibles averías, no limpie las piezas de plástico con agua a más de 40 °C ni en un lavavajillas.

[a] Exterior de la máquina y de la cuba

Limpie el exterior al menos una vez por semana con un trapo limpio y suave. Utilice un trapo humedecido con un detergente neutro para eliminar la grasa o la suciedad.

[b] Limpieza/esterilización de la pala y el asa de la cuba de almacenamiento (cada día)

1) Mezcle 1 litro de agua con 4 mL de una solución de hipoclorito sódico al 5,25% en un recipiente adecuado, o bien utilice el esterilizador de agua recomendado por Hoshizaki siguiendo las instrucciones.

2) Sumerja la pala en la solución durante más de 3 minutos. Aclárela con abundante agua y sacúdala para eliminar el exceso de líquido.

Nota: El uso de un trapo para secarla podría contaminarla.

3) Utilice un detergente neutro para lavar el asa de la cuba de almacenamiento. Aclárelo con abundante agua.

4) Empape un trapo limpio con la solución esterilizante y limpie el tirador. Utilice agua potable y un trapo limpio para aclarar/ secar.

[c] Limpieza/esterilización del interior de la cuba de almacenamiento (cada semana)

1) Abra la puerta de la cuba de almacenamiento y extraiga todo el hielo.

2) Combe un poco la pendiente para sacarla de los ejes laterales.

3) Extraiga el tapón de drenaje ubicado en la base de la cuba de almacenamiento.

4) Lave el revestimiento de la cuba, la pendiente y el tapón de drenaje con un detergente neutro no abrasivo. Aclárelo con abundante agua.

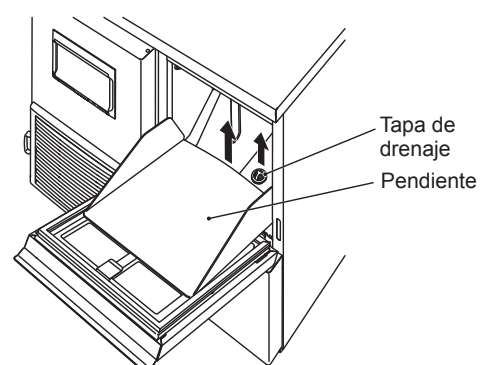
Nota: Cuide de no dañar el accionador de control de la cuba situado en la parte superior de esta.

5) Mezcle 5 litros de agua con 18 mL de una solución de hipoclorito sódico al 5,25% en un recipiente adecuado, o bien utilice el esterilizador de agua recomendado por Hoshizaki siguiendo las instrucciones.

6) Empape una esponja o un trapo limpio con la solución y páselo por el revestimiento, la pendiente y el tapón de drenaje de la cuba de almacenamiento.

7) Vuelva a colocar la pendiente y el tapón de drenaje.

8) Limpie la superficie de la puerta de la cuba con la solución. Cierre la puerta de la cuba.



9) La solución restante puede utilizarse para esterilizar los utensilios.

Nota: No seque con un trapo ni aclare con agua después de la esterilización; deje que se seque al aire.

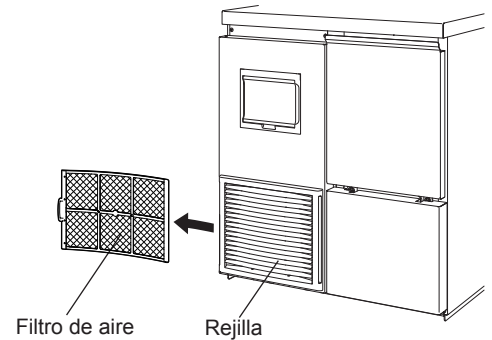
[d] Puerta de la cuba de almacenamiento

Limpie la puerta de la cuba de almacenamiento con un limpiador neutro no abrasivo al menos una vez por semana. Después de limpiarla, aclárela cuidadosamente y esterilícela si es necesario.

[e] Filtro de aire

Los filtros de aire con malla de plástico eliminan la suciedad o el polvo del aire y evitan que el condensador se obstruya. Si el filtro se obstruye, el rendimiento de la máquina de hielo se reduce. Desmonte y limpie los filtros de aire al menos dos veces al mes:

- 1) Deslice el filtro de aire para desmontarlo de la rejilla.
- 2) Limpie el filtro de aire con un aspirador. Cuando el filtro de aire esté muy obstruido, utilice agua tibia y un detergente neutro para lavarlo.
- 3) Aclare y seque el filtro de aire cuidadosamente.



AVISO

Tras la limpieza, asegúrese de volver a colocar el filtro de aire en su lugar.

2. REVISIÓN Y MANTENIMIENTO

AVISO

Para conseguir un funcionamiento óptimo de la máquina de hielo, es necesario revisar y llevar a cabo labores de mantenimiento de forma periódica en las siguientes partes:

- Cabezal de extrusión (cojinete superior)
- Carcasa (cojinete inferior)
- Junta mecánica

Estas partes deben revisarse dos años después de su instalación, o bien tras 10.000 horas de funcionamiento, dependiendo de la situación que se dé primero. Después, deberá revisarse una vez al año. Es necesario cambiar estas piezas si el desgaste es mayor al recomendado de fábrica.

Sin embargo, la vida útil de la unidad dependerá de la calidad del agua y del entorno. Cuando las propiedades del agua sean malas o extremas, será recomendable revisar y llevar a cabo labores de mantenimiento con más frecuencia.

Consulte con el encargado de reparaciones local de Hoshizaki todo lo relacionado con los servicios de revisión y mantenimiento.

3. ANTES DE LLAMAR AL SERVICIO TÉCNICO

⚠ ADVERTENCIA

No dañe el circuito del refrigerante.

[a] Indicación del código de error

Si en la pantalla se visualiza el código de error "E", antes de llamar al servicio técnico compruebe lo siguiente.

Código	Solución
E0	Posibilidad de fugas de agua. Lleve el interruptor de funcionamiento a la posición OFF (desactivado) y luego a ON (activado). Si vuelve a aparecer el código de error, llame al servicio de reparaciones.
E1	Baja producción de hielo. Lleve el interruptor de funcionamiento a la posición OFF (desactivado) y luego a ON (activado). Si vuelve a aparecer el código de error, llame al servicio de reparaciones.
E2	Fallo del circuito de suministro de agua. Lleve el interruptor de funcionamiento a la posición OFF (desactivado) y luego a ON (activado). Si vuelve a aparecer el código de error, llame al servicio de reparaciones.

E3	Fallo del motor de engranajes. Lleve el interruptor de funcionamiento a la posición OFF (desactivado) y luego a ON (activado) al cabo de 10 minutos. Si vuelve a aparecer el código de error, llame al servicio de reparaciones.
E4	Presión secundaria anormalmente alta. Limpie el filtro de aire. Compruebe que la máquina de hielo esté correctamente instalada de acuerdo con las indicaciones del manual de instalación. Lleve el interruptor de funcionamiento a la posición OFF (desactivado) y luego a ON (activado). Si vuelve a aparecer el código de error, llame al servicio de reparaciones.
E5	Fallo en el circuito eléctrico. Lleve el interruptor de funcionamiento a la posición OFF (desactivado) y luego a ON (activado). Si vuelve a aparecer el código de error, llame al servicio de reparaciones.
E8	El compresor podría estar recalentado. Compruebe que la máquina de hielo esté correctamente instalada de acuerdo con las indicaciones del manual de instalación. Lleve el interruptor de funcionamiento a la posición OFF (desactivado) y luego a ON (activado) al cabo de 10 minutos. Si vuelve a aparecer el código de error, llame al servicio de reparaciones.
EA	Fallo en el circuito eléctrico. Lleve el interruptor de funcionamiento a la posición OFF (desactivado) y luego a ON (activado). Si vuelve a aparecer el código de error, llame al servicio de reparaciones.
Eb	Fallo en el circuito eléctrico. Lleve el interruptor de funcionamiento a la posición OFF (desactivado) y luego a ON (activado). Si vuelve a aparecer el código de error, llame al servicio de reparaciones.
EC	Fallo en el circuito eléctrico. Lleve el interruptor de funcionamiento a la posición OFF (desactivado) y luego a ON (activado). Si vuelve a aparecer el código de error, llame al servicio de reparaciones.
EE	Fallo del motor de engranajes. Lleve el interruptor de funcionamiento a la posición OFF (desactivado) y luego a ON (activado). Si vuelve a aparecer el código de error, llame al servicio de reparaciones.
EF	La tensión de alimentación es demasiado baja. Compruebe que el voltaje se encuentra en el intervalo requerido y que la máquina de hielo no comparte el enchufe con otros aparatos. Lleve el interruptor de funcionamiento a la posición OFF (desactivado) y luego a ON (activado). Si vuelve a aparecer el código de error, llame al servicio de reparaciones.
EH	Fallo en el circuito eléctrico. Lleve el interruptor de funcionamiento a la posición OFF (desactivado) y luego a ON (activado). Si vuelve a aparecer el código de error, llame al servicio de reparaciones.
EL	Fallo en el interruptor de control de la cuba. Lleve el interruptor de funcionamiento a la posición OFF (desactivado) y luego a ON (activado). Si vuelve a aparecer el código de error, llame al servicio de reparaciones.
En	Fallo en el circuito eléctrico. Lleve el interruptor de funcionamiento a la posición OFF (desactivado) y luego a ON (activado). Si vuelve a aparecer el código de error, llame al servicio de reparaciones.
EU	Fallo de la placa controladora. Lleve el interruptor de funcionamiento a la posición OFF (desactivado) y luego a ON (activado). Si vuelve a aparecer el código de error, llame al servicio de reparaciones.

[b] Sin indicación de código de error

Si la máquina de hielo no funciona correctamente o no funciona en absoluto y en la pantalla no aparece el código de error, antes de llamar al servicio de reparaciones compruebe que:

- * La unidad está conectada a la red eléctrica.
- * El agua está conectada.
- * El filtro de aire está limpio.

Para asistencia o asesoramiento adicionales, póngase en contacto con el agente de reparaciones local de Hoshizaki.

4. ELIMINACIÓN

Siga las normativas locales aplicables a la eliminación de este equipo y el gas refrigerante que contiene. Antes de desechar el equipo, quite la puerta para evitar que niños queden atrapados dentro jugando.

Eliminación correcta de este producto:

Estas marcas indican que está prohibido eliminar este producto junto con otros desechos de uso doméstico en todo el territorio de la UE. Para evitar el posible daño al medioambiente o a la salud pública, provocado por la eliminación no controlada de desechos, recíclelos de forma responsable para fomentar la reutilización sostenible de los recursos materiales. Para devolver el dispositivo usado, utilice los sistemas de devolución y recogida o póngase en contacto con el punto de venta en el que adquirió el producto. El personal se encargará de que el producto se recicle respetando el medioambiente.



5. GARANTÍA

Hoshizaki garantiza al usuario/propietario que ninguno de los productos de su marca presentarán defectos de material o mano de obra durante la duración del "periodo de garantía". La garantía será efectiva durante dos años a partir de la fecha de instalación.

La responsabilidad de Hoshizaki según los términos de esta garantía es limitada y excluirá el servicio de rutina, la limpieza, el mantenimiento esencial y/o las reparaciones ocasionadas por uso incorrecto y por instalaciones que no se ajusten a las instrucciones de Hoshizaki.

Las reparaciones cubiertas por la garantía deberán ser realizadas por un distribuidor o centro de servicio homologado de Hoshizaki empleando componentes originales de Hoshizaki.

Para más detalles sobre la garantía y los centros de servicio homologados, póngase en contacto con su distribuidor/proveedor, o con la oficina de Servicio Técnico de Hoshizaki más próxima.

Europa, Medio Oriente, África

Hoshizaki UK - R.U., Irlanda
TEL: +44 845 456 0585
FAX: +44 132 283 8331
uksales@hoshizaki.co.uk

Hoshizaki Middle East - Medio Oriente
TEL: +971 48 876 612
FAX: +971 48 876 613
sales@hoshizaki.ae

Hoshizaki Deutschland - Alemania, Suiza, Austria
TEL: +49 2154 92810
FAX: +49 2154 928128
info@hoshizaki.de

Hoshizaki Nederland & België - Países Bajos, Bélgica, Luxemburgo
TEL: +31 20 5650420 (Nederland)
TEL: +32 2 712 30 30 (België)
FAX: +31 20 6918768
sales@hoshizaki.nl (Nederland)
info@hoshizaki.be (België)

Hoshizaki France - Francia
TEL: +33 1 48 63 93 80
FAX: +33 1 48 63 93 88
info@hoshizaki.fr

Hoshizaki Iberia - España, Portugal
TEL: +34 93 478 09 52
FAX: +34 93 478 08 00
info@hoshizaki.es

Hoshizaki Europe B.V. - todos los demás países europeos y África
TEL: +31 20 6918499
FAX: +31 20 6918768
sales@hoshizaki.nl

Asia, Oceanía

Hoshizaki Singapore
TEL: +65 6225 2612
FAX: +65 6225 3219

Hoshizaki Hong Kong
TEL: +852 2866-2108
FAX: +852 2866-2109

Hoshizaki Taiwan
TEL: +886 2 2748 1589
FAX: +886 2 2747 1559

Hoshizaki Lancer
TEL: +61 8 8268 1388
FAX: +61 8 8268 1978

ESPECIFICACIONES

Modelo	FM-150KE	FM-150KE-N	CM-140KE
Tipo	Refrigerado por aire, hielo en escamas	Refrigerado por aire, hielo en pepitas	Refrigerado por aire, hielo en cubitos
Alimentación	1 fase 220-240 V 50Hz	1 fase 220-240 V 50Hz	1 fase 220-240 V 50Hz
Consumo eléctrico	640 W	640 W	640 W
Modelo	FM-150KE	FM-150KE-N	CM-140KE
Producción de hielo en 24 h	150 kg (ambiente 10 °C, agua 10 °C)	140 kg (ambiente 10 °C, agua 10 °C)	140 kg (ambiente 10 °C, agua 10 °C)
Dimensiones	640 mm (A) × 600 mm (F) × 800 (798-833) mm (Alt.)	640 mm (A) × 600 mm (F) × 800 (798-833) mm (Alt.)	640 mm (A) × 600 mm (F) × 800 (798-833) mm (Alt.)
Refrigerante	R134a, 220 g	R134a, 220 g	R134a, 220 g
Peso	Neto: 71 kg (total: 82 kg)	Neto: 71 kg (total: 82 kg)	Neto: 71 kg (total: 82 kg)
Termistor de	5 - 40 °C	5 - 40 °C	5 - 40 °C
Temperatura del agua	De 5 a 35 °C	De 5 a 35 °C	De 5 a 35 °C
Presión del agua	De 0,05 a 0,8 MPa (de 0,5 a 8 bar)	De 0,05 a 0,8 MPa (de 0,5 a 8 bar)	De 0,05 a 0,8 MPa (de 0,5 a 8 bar)
Intervalo de voltaje	Voltaje nominal ± 10%	Voltaje nominal ± 10%	Voltaje nominal ± 10%

Modelo	FM-150KE-50	FM-150KE-50-N	FM-120KE
Tipo	Refrigerado por aire, hielo en escamas	Refrigerado por aire, hielo en pepitas	Refrigerado por aire, hielo en escamas
Alimentación	1 fase 220-240 V 50Hz	1 fase 220-240 V 50Hz	1 fase 220 V 60 Hz
Consumo eléctrico	640 W	640 W	550 W
Producción de hielo en 24 h	150 kg (ambiente 10 °C, agua 10 °C)	150 kg (ambiente 10 °C, agua 10 °C)	145 kg (ambiente 10 °C, agua 10 °C)
Dimensiones	940 mm (A) × 600 mm (F) × 800 (798-833) mm (Alt.)	940 mm (A) × 600 mm (F) × 800 (798-833) mm (Alt.)	640 mm (A) × 600 mm (F) × 800 (798-833) mm (Alt.)
Refrigerante	R134a, 220 g	R134a, 220 g	R134a, 220 g
Peso	Neto: 81 kg (total: 94 kg)	Neto: 81 kg (total: 94 kg)	Neto: 71 kg (total: 82 kg)
Termistor de	5 - 40 °C	5 - 40 °C	5 - 40 °C
Temperatura del agua	De 5 a 35 °C	De 5 a 35 °C	De 5 a 35 °C
Presión del agua	De 0,05 a 0,8 MPa (de 0,5 a 8 bar)	De 0,05 a 0,8 MPa (de 0,5 a 8 bar)	De 0,05 a 0,8 MPa (de 0,5 a 8 bar)
Intervalo de voltaje	Voltaje nominal ± 10%	Voltaje nominal ± 10%	Voltaje nominal ± 10%

Modelo	CM-110KE-50	FM-80KE	FM-80KE-N
Tipo	Refrigerado por aire, hielo en cubitos	Refrigerado por aire, hielo en escamas	Refrigerado por aire, hielo en pepitas
Alimentación	1 fase 220 V 60 Hz	1 fase 220-240 V 50Hz	1 fase 220-240 V 50Hz
Consumo eléctrico	550 W	300 W	300 W
Producción de hielo en 24 h	120 kg (ambiente 10 °C, agua 10 °C)	85 kg (ambiente 10 °C, agua 10 °C)	85 kg (ambiente 10 °C, agua 10 °C)
Dimensiones	940 mm (A) × 600 mm (F) × 800 (798-833) mm (Alt.)	640 mm (A) × 600 mm (F) × 800 (798-833) mm (Alt.)	640 mm (A) × 600 mm (F) × 800 (798-833) mm (Alt.)
Refrigerante	R134a, 220 g	R134a, 150 g	R134a, 150 g
Peso	Neto: 81 kg (total: 94 kg)	Neto: 65 kg (total: 75 kg)	Neto: 65 kg (total: 75 kg)
Termistor de	5 - 40 °C	5 - 40 °C	5 - 40 °C
Temperatura del agua	De 5 a 35 °C	De 5 a 35 °C	De 5 a 35 °C
Presión del agua	De 0,05 a 0,8 MPa (de 0,5 a 8 bar)	De 0,05 a 0,8 MPa (de 0,5 a 8 bar)	De 0,05 a 0,8 MPa (de 0,5 a 8 bar)
Intervalo de voltaje	Voltaje nominal ± 10%	Voltaje nominal ± 10%	Voltaje nominal ± 10%

Este producto incluye un sistema de refrigeración sellado herméticamente que contiene gases fluorados de efecto invernadero que cumplen con el Protocolo de Kyoto:

FM-150KE(-N)	R134a / GWP 1430 / 0,22 kg	FM-120KE	R134a / GWP 1430 / 0,22 kg
CM-140KE	R134a / GWP 1430 / 0,22 kg	CM-110KE-50	R134a / GWP 1430 / 0,22 kg
FM-150KE-50(-N)	R134a / GWP 1430 / 0,22 kg	FM-80KE(-N)	R134a / GWP 1430 / 0,15 kg

Este producto se ha aislado con espuma soplada con gases fluorados de efecto invernadero.

Este producto cumple con los requisitos básicos en cuanto a salud y seguridad requeridos por las siguientes normativas:

Directiva EMC (2004/108/CE)

Directiva sobre bajo voltaje (2006/95/EC)

Directiva sobre restricciones a la utilización de determinadas sustancias peligrosas en aparatos eléctricos y electrónicos (2011/65/EU)

Reglamento sobre los materiales destinados a entrar en contacto con alimentos (CE 1935/2004)

Fabricante: Hoshizaki Europe Ltd.
Telford 70 Stafford Park 7, Telford, Shropshire TF3 3BQ England

INFORMAZIONI IMPORTANTI SULLA SICUREZZA

All'interno del manuale compaiono degli avvertimenti che intendono attirare l'attenzione dell'operatore su situazioni che potrebbero causarne la morte, lesioni gravi o danneggiare l'apparecchio.

▲AVVERTENZA	Indica una situazione pericolosa che, se non evitata, potrebbe causare la morte o lesioni gravi.
▲ATTENZIONE	Indica una situazione pericolosa che, se non evitata, potrebbe causare lesioni di lieve o media entità.
AVVISO	Indica una situazione pericolosa che, se non evitata, potrebbe causare danni all'unità.
▲IGIENE	Indica importanti precauzioni per l'igiene e la sicurezza alimentare.
IMPORTANTE	Indica informazioni importanti in merito all'uso e alla manutenzione dell'unità.

IMPORTANTE

Il presente manuale è parte integrante e fondamentale del prodotto e deve essere conservato con cura dall'utente.

Si raccomanda di leggere con attenzione le indicazioni e le avvertenze ivi contenute, volte a fornire all'utente le informazioni fondamentali per l'utilizzo prolungato e la manutenzione del prodotto in condizioni di sicurezza. Inoltre fornisce all'utente SOLO INDICAZIONI sui corretti interventi e l'ubicazione della macchina.

Si raccomanda di conservare il presente manuale per eventuali necessità di consultazione future.

▲AVVERTENZA

Questa è una macchina industriale e deve essere utilizzata esclusivamente per gli impieghi per la quale è stata espressamente progettata.

Qualunque altro impiego è da considerarsi improprio e pertanto pericoloso. La casa costruttrice declina ogni responsabilità per eventuali danni provocati da uso improprio, non corretto o sconsiderato.

L'installazione e, se necessario, lo spostamento, devono essere eseguiti da personale specializzato, in conformità alle norme vigenti e alle istruzioni della casa costruttrice.

Mantenere prive di ostruzioni le aperture di ventilazione della custodia della macchina o della struttura incorporata.

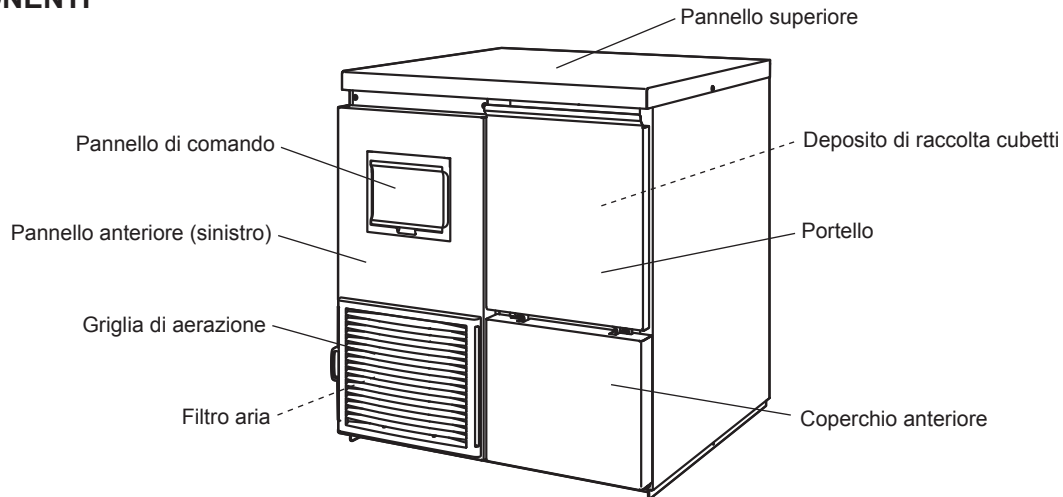
L'utilizzo di qualsiasi apparecchio elettrico implica l'osservanza di alcune norme fondamentali.

In particolare:

- * Ubicando la macchina in ambienti ad alta umidità, si aumenta il rischio di cortocircuiti e di scosse elettriche. In caso di dubbi, disinserire la macchina.
- * Non danneggiare il cavo dell'alimentazione elettrica né tirarlo per scollegare la spina della macchina dalla rete di alimentazione.
- * Non toccare parti elettriche né gli interruttori con le mani bagnate.
- * La macchina può essere utilizzata da persone (inclusi i bambini di età superiore agli 8 anni) con capacità fisiche, sensoriali e mentali ridotte o prive dell'esperienza e della conoscenza necessarie, nel caso in cui siano fornite la supervisione o le istruzioni relative all'utilizzo della macchina in modo sicuro e ne vengano compresi i rischi.
- * I bambini non devono giocare con la macchina.
- * La pulizia e la manutenzione da parte dell'utente non devono essere effettuate da bambini senza che venga loro fornita la supervisione.
- * Non apportare modifiche alla macchina. Il disassemblaggio e la riparazione della macchina devono essere effettuati esclusivamente da personale qualificato.

I. ISTRUZIONI PER L'INSTALLAZIONE

1. COMPONENTI



2. UBICAZIONE

⚠ AVVERTENZA

La macchina non è adatta per essere utilizzata all'aria aperta.

La macchina non deve essere ubicata in prossimità di forni, grill o altri apparecchi che producono calore.

La macchina non è adatta per l'installazione in un'area in cui è possibile utilizzare un getto d'acqua.

⚠ ATTENZIONE

Il pavimento su cui poggia deve garantire alla macchina una base solida e piana.

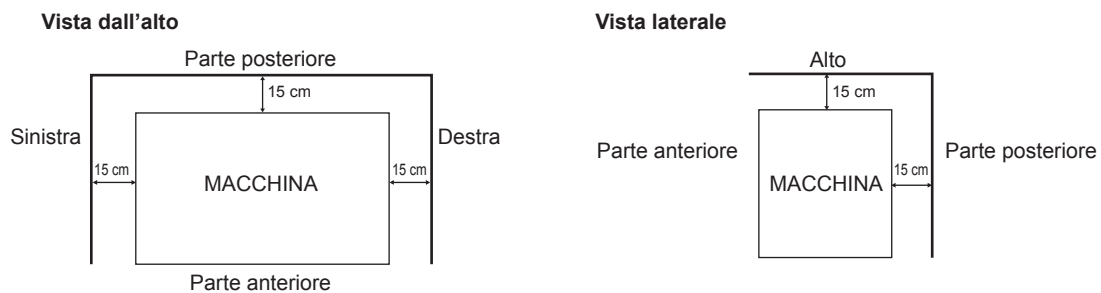
AVVISO

Non posizionare alcun oggetto sulla sommità della macchina e davanti alla sfinestratura.

IMPORTANTE

La normale temperatura ambiente d'esercizio deve essere compresa tra 5°C e 40°C. Il collegamento all'approvvigionamento dell'acqua è solo per acqua fredda. Il prolungato funzionamento della macchina con valori che non rientrano nelle gamme previste può comprometterne la capacità di produzione.

Lasciare uno spazio equivalente a quello sotto specificato in modo da favorire la circolazione dell'aria e le eventuali operazioni di manutenzione o servizio.



In alcuni ambienti ad alta umidità, all'interno della macchina potrebbe formarsi della condensa che si riversa poi sul pavimento. Non installare la macchina su un pavimento che potrebbe danneggiarsi a causa dell'acqua.

3. COLLEGAMENTI ELETTRICI

⚠ AVVERTENZA

LA MACCHINA DEVE ESSERE COLLEGATA A MASSA

La macchina deve essere collegata a massa in modo da soddisfare le norme elettriche a livello locale e nazionale.

Scollegare l'alimentazione principale prima di eseguire qualsiasi intervento di manutenzione, riparazione o pulizia.

- * Per eseguire interventi elettrici sono solitamente necessari un permesso specifico nonché l'assistenza di un elettricista qualificato.
- * Se il cavo di alimentazione è danneggiato, sostituirlo con un cavo di ricambio reperibile presso il centro assistenza/ricambi Hoshizaki.

Solo per il Regno Unito e la Repubblica d'Irlanda

- * I fili del cavo di alimentazione sono colorati in base al seguente codice:

Verde e Giallo = Massa
Blu = Neutro
Marrone = Sotto tensione

Dato che i colori dei fili del cavo di alimentazione della macchina possono non corrispondere ai contrassegni colorati che identificano i terminali della spina dell'utente, procedere come segue.

Il filo verde e giallo deve essere collegato al terminale della spina contrassegnato dalla lettera E o dal simbolo $\frac{\perp}{\perp}$ o di colore verde o verde e giallo. Il filo blu deve essere collegato al terminale della spina contrassegnato dalla lettera N o di colore nero. Il filo marrone deve essere collegato al terminale contrassegnato dalla lettera L o di colore rosso.

- * Se le prese a muro, nel luogo dell'installazione, non sono adatte alla spina appartenente alla dotazione del prodotto, togliere la spina (tagliandola se è del tipo pressofuso) e sostituirla con una spina adatta.

Se dal cavo di alimentazione elettrica è stata tagliata una spina di tipo non riciclabile, smaltirla. Non cercare di riutilizzarla. Inserire una spina del genere in una qualsiasi altra presa comporta un forte rischio di scosse elettriche.

- * La spina non riciclabile non va mai utilizzata senza aver montato un coprifusibile.

Per individuare il corretto ricambio del coprifusibile smontabile, leggere il numero di riferimento della casa costruttrice impresso sulla spina.

I coprifusibili possono essere reperiti presso il centro assistenza/ricambi Hoshizaki.

I fusibili devono essere di 13 A e con approvazione BS 1362.

4. COLLEGAMENTO DI ALIMENTAZIONE DELL'ACQUA E COLLEGAMENTO DI SCARICO

⚠ AVVERTENZA

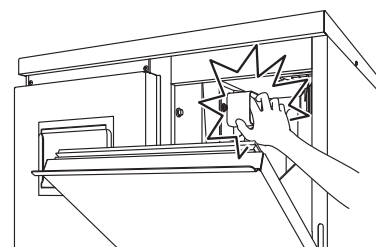
Collegare solo all'approvvigionamento dell'acqua potabile fredda.

- * I collegamenti all'approvvigionamento idrico di rete devono essere eseguiti in conformità ai requisiti vigenti delle norme relative all'approvvigionamento dell'acqua e ai raccordi dell'acqua.
- * L'acqua utilizzata per la fabbricazione del ghiaccio deve essere potabile. Laddove la qualità dell'acqua può causare disincrostazione, è consigliabile l'installazione di un filtro esterno o di un addolcitore. Contattare l'esperto in trattamenti idrici locale o un agente dell'assistenza Hoshizaki.
- * In alcune località, per eseguire lavori idraulici sono necessari un permesso specifico nonché l'assistenza di un idraulico qualificato.

II. ISTRUZIONI DI FUNZIONAMENTO

⚠ ATTENZIONE

Non entrare nel deposito di raccolta cubetti né inserire le mani nel comparto della macchina all'interno del deposito di raccolta cubetti. I bambini possono restare intrappolati all'interno oppure il meccanismo di produzione di cubetti potrebbe muoversi inaspettatamente e causare lesioni.



AVVISO

Tutti i componenti sono preimpostati dalla casa costruttrice. Regolazioni non corrette possono provocare guasti.

Se la macchina viene spenta, per non danneggiare il compressore, attendere almeno 3 minuti per avviarla di nuovo.

IGIENE

La macchina serve a produrre cubetti di ghiaccio commestibili. Per mantenere la macchina in buone condizioni igieniche, osservare le regole che seguono.

- * Lavarsi le mani prima di prelevare i cubetti. Utilizzare il cucchiaino di presa in materiale plastico (in dotazione).
- * Il deposito di raccolta cubetti è solo per i cubetti. Non conservare nient'altro nel deposito di raccolta e non utilizzare apparecchi elettrici nel deposito di raccolta.
- * Pulire il deposito di raccolta cubetti prima dell'uso (vedi "III. 1. PULIZIA").
- * Mantenere pulito il cucchiaino di presa. A tal fine, utilizzare un detergente neutro e sciacquare abbondantemente.
- * Chiudere il portello dopo aver prelevato i cubetti, per evitare che nel deposito di raccolta cubetti entrino impurità, polvere o insetti.

1. AVVIO

L'installatore di regola imposta la macchina in modo da avviare il processo di produzione automatica di cubetti. Per garantire il funzionamento continuo, accertare che:

- * Il rubinetto di alimentazione acqua sia aperto e
- * la macchina sia collegata all'alimentazione.

Per avviare la produzione di cubetti, controllare la posizione dell'interruttore di comando sul pannello di comando:

- posizione "OFF" - spostarlo in posizione "ON".
- posizione "ON" - premere il pulsante "ICE".

2. ARRESTO

Premere il pulsante "STOP" sul pannello di comando. Il display lampeggia in modalità "STOP" per 15 minuti durante il controllo scarico, quindi si illumina rimanendo acceso al termine dell'operazione.

3. PREPARATIVI PER IL LUNGO IMMAGAZZINAGGIO DELLA MACCHINA

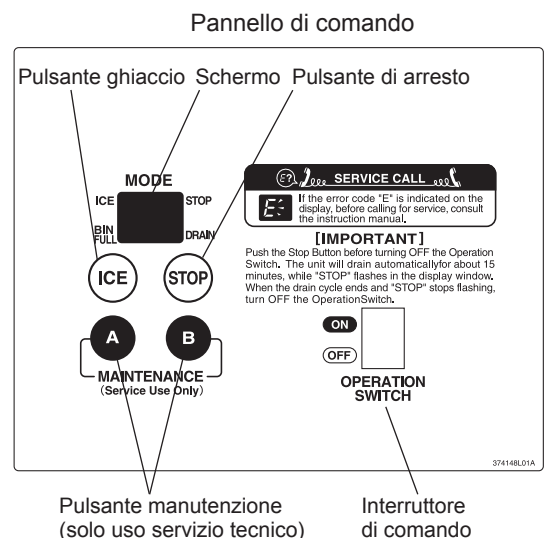
AVVISO

Questa macchina non funziona a temperature inferiori allo zero. Scaricare la macchina quando la temperatura dell'aria è al di sotto dello zero, al fine di prevenire eventuali danni al circuito di alimentazione dell'acqua.

IGIENE

Se la macchina rimane spenta per due o più giorni, scaricarla per evitare la contaminazione del circuito dell'acqua.

- 1) Seguire le istruzioni al punto "2. ARRESTO".
- 2) Spostare l'interruttore di comando in posizione "OFF".
- 3) Chiudere il rubinetto dell'alimentazione dell'acqua.
- 4) Scollegare il tubo flessibile di entrata dal rubinetto di alimentazione dell'acqua, quindi scaricarlo.
- 5) Scollegare l'alimentazione.
- 6) Togliere tutti i cubetti dal relativo deposito di raccolta cubetti, quindi pulirlo.
- 7) Richiedere l'intervento di personale tecnico qualificato per l'esecuzione dell'operazione di scarico.
- 8) Per riavviare la macchina, seguire le istruzioni al punto "1. AVVIO".



III. MANUTENZIONE

1. PULIZIA

▲AVVERTENZA

Disinserire l'alimentazione elettrica della macchina, quindi eseguire operazioni di pulizia e di manutenzione.

La macchina non deve essere pulita mediante getto d'acqua.

▲ATTENZIONE

Se si utilizza un detergente neutro o ipoclorito di sodio, leggere attentamente e comprendere le istruzioni fornite al fine di evitare possibili problemi di salute.

AVVISO

Almeno due volte l'anno far pulire e disinfettare il sistema dell'acqua della macchina da personale di servizio qualificato e controllare e pulire il condensatore almeno una volta all'anno.

Per evitare danni, non pulire le parti in plastica con acqua ad una temperatura superiore a 40°C o in lavastoviglie.

[a] Esterno della macchina e del deposito di raccolta cubetti

Per mezzo di un panno morbido e pulito, pulire la parte esterna della macchina almeno una volta alla settimana. Per eliminare grasso o impurità, utilizzare un panno inumidito con un detergente neutro.

[b] Pulizia e disinfezione giornaliera del cucchiaino di presa e della maniglia del deposito di raccolta cubetti.

- 1) Mescolare 1 litro d'acqua con 4 ml di soluzione di ipoclorito di sodio al 5,25% in un contenitore idoneo, oppure la soluzione disinfettante Hoshizaki consigliata, come da istruzioni.
- 2) Immergere il cucchiaino di presa nella soluzione per più di 3 minuti. Risciacquare abbondantemente e agitare per rimuovere il liquido in eccesso.

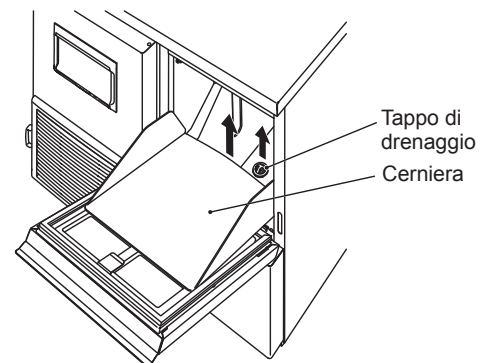
Nota: Se si utilizza un panno per asciugare, si rischia una nuova contaminazione.

- 3) Utilizzare una soluzione detergente neutra per lavare la maniglia del deposito di raccolta. Sciacquare abbondantemente.
- 4) Inumidire un panno pulito con la soluzione disinfettante e pulire la maniglia. Per risciacquare e asciugare, utilizzare un panno pulito.

[c] Pulizia e disinfezione dell'interno del deposito di raccolta cubetti (settimanale)

- 1) Aprire il portello del deposito di raccolta cubetti e togliere tutti i cubetti di ghiaccio.
- 2) Inclinare leggermente il deflettore per estrarlo dai montanti sinistro e destro.
- 3) Rimuovere il tappo di scarico situato nella base del deposito di raccolta cubetti.
- 4) Lavare la camera del deposito, il deflettore e il tappo di scarico con una soluzione detergente neutra non abrasiva. Sciacquare abbondantemente.

Nota: Fare attenzione a non danneggiare l'attuatore di comando del deposito di raccolta cubetti situato sul deposito stesso.



- 5) Mescolare 5 litri d'acqua con 18 ml di soluzione di ipoclorito di sodio al 5,25% in un contenitore idoneo, oppure la soluzione disinfettante Hoshizaki consigliata, come da istruzioni.
- 6) Inumidire una spugna pulita o un panno pulito con la soluzione e strofinare le superfici della camera, il deflettore e il tappo di scarico.
- 7) Riapplicare il deflettore e il tappo di scarico.
- 8) Pulire la superficie del portello del deposito con la soluzione. Chiudere il portello del deposito.

9) La soluzione rimanente può essere utilizzata per disinfettare gli utensili.

Nota: Dopo la disinfezione non strofinare né risciacquare, ma lasciare asciugare all'aria.

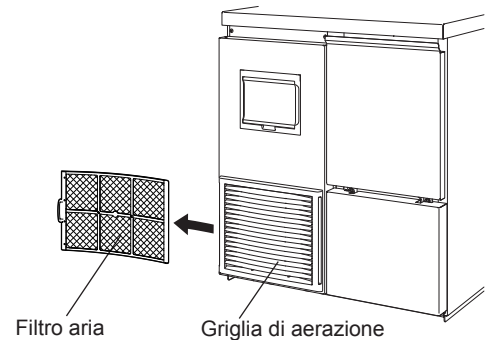
[d] Portello del deposito di raccolta cubetti

Pulire il portello del deposito di raccolta cubetti almeno una volta alla settimana, utilizzando un detergente neutro non abrasivo. Risciacquare abbondantemente dopo la pulizia e disinfettare secondo necessità.

[e] Filtro aria

I filtri dell'aria a maglia di plastica servono a filtrare l'aria dalle impurità e dalla polvere, proteggendo così il condensatore da eventuali intasamenti. Con l'intasarsi dei filtri, le prestazioni della macchina si riducono. Smontare i filtri dell'aria e pulirli almeno due volte al mese:

- 1) Sfilare il filtro dell'aria dalla sfinestratura.
- 2) Pulire il filtro dell'aria per mezzo di un aspirapolvere. In caso di filtro particolarmente intasato, per lavarlo, utilizzare acqua calda assieme ad una soluzione detergente neutra.
- 3) Risciacquare e asciugare con cura il filtro dell'aria.



AVVISO

Al termine della pulizia, assicurarsi di risistemare il filtro dell'aria nella giusta posizione.

2. CONTROLLO E MANUTENZIONE

AVVISO

Per ottenere prestazioni ottimali della macchina, i componenti elencati di seguito necessitano di controllo e manutenzione periodici:

- testa di estrusione (cuscinetto superiore)
- sede (cuscinetto inferiore)
- tenuta meccanica

Tali componenti devono essere controllati dopo due anni dall'installazione o dopo 10.000 ore di funzionamento, in funzione dell'intervallo che si verifica per primo, e successivamente, una volta l'anno. Se usurati oltre le raccomandazioni della casa produttrice, sarà necessario sostituire tali componenti.

Tuttavia, la durata operativa dei componenti dipende dall'ambiente e dalla qualità dell'acqua. In condizioni di scarsa qualità dell'acqua, si consigliano interventi di manutenzione e controllo più frequenti.

Rivolgersi al proprio centro di assistenza Hoshizaki in merito ai servizi di controllo e manutenzione.

3. PRIMA DI RIVOLGERSI ALL'ASSISTENZA

▲ AVVERTENZA

Non danneggiare il circuito di refrigerazione.

[a] Indicazione codice guasto

Se sul display viene indicato il codice errore "E", prima di rivolgersi all'assistenza, controllare quanto segue.

Codice	Rimedio
E0	Possibili perdite d'acqua. Ruotare su OFF l'interruttore di comando, quindi riportarlo su ON nuovamente. Se compare nuovamente il codice guasto, rivolgersi all'assistenza.
E1	Scarsa produzione di cubetti. Ruotare su OFF l'interruttore di comando, quindi riportarlo su ON nuovamente. Se compare nuovamente il codice guasto, rivolgersi all'assistenza.

E2	Guasto all'impianto di alimentazione dell'acqua. Ruotare su OFF l'interruttore di comando, quindi riportarlo su ON nuovamente. Se compare nuovamente il codice guasto, rivolgersi all'assistenza.
E3	Guasto al motorino con riduttore ad ingranaggi. Ruotare su OFF l'interruttore di comando, quindi riportarlo su ON dopo 10 minuti. Se compare nuovamente il codice guasto, rivolgersi all'assistenza.
E4	Pressione laterale eccessivamente alta. Pulire il filtro dell'aria. Verificare la corretta installazione della macchina secondo il manuale d'installazione. Ruotare su OFF l'interruttore di comando, quindi riportarlo su ON nuovamente. Se compare nuovamente il codice guasto, rivolgersi all'assistenza.
E5	Guasto al circuito elettrico. Ruotare su OFF l'interruttore di comando, quindi riportarlo su ON nuovamente. Se compare nuovamente il codice guasto, rivolgersi all'assistenza.
E8	Il compressore potrebbe essersi surriscaldato. Verificare la corretta installazione della macchina secondo il manuale d'installazione. Ruotare su OFF l'interruttore di comando, quindi riportarlo su ON dopo 10 minuti. Se compare nuovamente il codice guasto, rivolgersi all'assistenza.
EA	Guasto al circuito elettrico. Ruotare su OFF l'interruttore di comando, quindi riportarlo su ON nuovamente. Se compare nuovamente il codice guasto, rivolgersi all'assistenza.
Eb	Guasto al circuito elettrico. Ruotare su OFF l'interruttore di comando, quindi riportarlo su ON nuovamente. Se compare nuovamente il codice guasto, rivolgersi all'assistenza.
EC	Guasto al circuito elettrico. Ruotare su OFF l'interruttore di comando, quindi riportarlo su ON nuovamente. Se compare nuovamente il codice guasto, rivolgersi all'assistenza.
EE	Guasto al motorino con riduttore ad ingranaggi. Ruotare su OFF l'interruttore di comando, quindi riportarlo su ON nuovamente. Se compare nuovamente il codice guasto, rivolgersi all'assistenza.
EF	Tensione di alimentazione insufficiente. Verificare che la tensione sia entro la gamma richiesta e che la macchina non sia inserita in una morsettiera condivisa con altri apparecchi. Ruotare su OFF l'interruttore di comando, quindi riportarlo su ON nuovamente. Se compare nuovamente il codice guasto, rivolgersi all'assistenza.
EH	Guasto al circuito elettrico. Ruotare su OFF l'interruttore di comando, quindi riportarlo su ON nuovamente. Se compare nuovamente il codice guasto, rivolgersi all'assistenza.
EL	Guasto all'interruttore di comando deposito di raccolta cubetti. Ruotare su OFF l'interruttore di comando, quindi riportarlo su ON nuovamente. Se compare nuovamente il codice guasto, rivolgersi all'assistenza.
En	Guasto al circuito elettrico. Ruotare su OFF l'interruttore di comando, quindi riportarlo su ON nuovamente. Se compare nuovamente il codice guasto, rivolgersi all'assistenza.
EU	Guasto alla scheda di comando. Ruotare su OFF l'interruttore di comando, quindi riportarlo su ON nuovamente. Se compare nuovamente il codice guasto, rivolgersi all'assistenza.

[b] Nessuna indicazione di codice guasto

Se la macchina non funziona correttamente o non funziona affatto e sul display non compare nessun codice guasto, prima di rivolgersi all'assistenza controllare che:

- * la macchina riceva l'energia elettrica;
- * l'acqua sia aperta.
- * il filtro dell'aria sia pulito.

Per ulteriori assistenza e consulenza, contattare il locale centro di assistenza Hoshizaki.

4. SMALTIMENTO

Osservare le normative locali in materia di smaltimento della macchina e del gas refrigerante. Prima di smaltire la macchina, rimuovere il portello per evitare che i bambini vi possano rimanere intrappolati.

Smaltimento corretto del prodotto:

Questo simbolo indica che il prodotto non deve essere smaltito con altri rifiuti domestici all'interno dell'UE. Per evitare possibili danni all'ambiente o alla salute derivanti dallo smaltimento incontrollato dei rifiuti, riciclare il prodotto in modo responsabile per promuovere il riutilizzo sostenibile delle risorse materiali. Per restituire la macchina usata, utilizzare i sistemi di restituzione e raccolta o contattare il rivenditore presso il quale è stato acquistato il prodotto. Il prodotto sarà ritirato in vista di un riciclaggio sicuro per l'ambiente.



5. GARANZIA

Hoshizaki garantisce al proprietario o utente originario che tutti i prodotti con marchio Hoshizaki sono privi di difetti di costruzione e/o inerenti ai materiali per l'intera durata del "periodo di garanzia". La garanzia è valida per due anni dalla data di installazione. La responsabilità di Hoshizaki secondo le condizioni della garanzia è limitata ed esclude la manutenzione di routine, la pulizia, la manutenzione essenziale e/o le riparazioni che si rendano necessarie in conseguenza di uso scorretto e di installazione non conforme alle indicazioni Hoshizaki.

Le riparazioni in garanzia devono essere eseguite da un rivenditore o da un centro di assistenza autorizzato Hoshizaki, che utilizzino componenti originali Hoshizaki.

Per ottenere informazioni complete in merito alla garanzia e al centro di assistenza autorizzato, si prega di contattare il proprio rivenditore/fornitore di fiducia, oppure l'ufficio assistenza Hoshizaki più vicino.

Europa, Medio Oriente, Africa

Hoshizaki UK - Regno Unito, Irlanda
 TEL: +44 845 456 0585
 FAX: +44 132 283 8331
 uksales@hoshizaki.co.uk

Hoshizaki Middle East - Medio Oriente
 TEL: +971 48 876 612
 FAX: +971 48 876 613
 sales@hoshizaki.ae

Hoshizaki Deutschland - Germania, Svizzera, Austria
 TEL: +49 2154 92810
 FAX: +49 2154 928128
 info@hoshizaki.de

Hoshizaki Nederland & België - Paesi Bassi, Belgio, Lussemburgo
 TEL: +31 20 5650420 (Nederland)
 TEL: +32 2 712 30 30 (België)
 FAX: +31 20 6918768
 sales@hoshizaki.nl (Nederland)
 info@hoshizaki.be (België)

Hoshizaki France - Francia
 TEL: +33 1 48 63 93 80
 FAX: +33 1 48 63 93 88
 info@hoshizaki.fr

Hoshizaki Iberia - Spagna, Portogallo
 TEL: +34 93 478 09 52
 FAX: +34 93 478 08 00
 info@hoshizaki.es

Hoshizaki Europe B.V. - tutti gli altri paesi di Europa e Africa
 TEL: +31 20 6918499
 FAX: +31 20 6918768
 sales@hoshizaki.nl

Asia, Oceania

Hoshizaki Singapore
 TEL: +65 6225 2612
 FAX: +65 6225 3219

Hoshizaki Hong Kong
 TEL: +852 2866-2108
 FAX: +852 2866-2109

Hoshizaki Taiwan
 TEL: +886 2 2748 1589
 FAX: +886 2 2747 1559

Hoshizaki Lancer
 TEL: +61 8 8268 1388
 FAX: +61 8 8268 1978

SPECIFICHE

Modello	FM-150KE	FM-150KE-N	CM-140KE
Tipo	Raffreddamento ad aria, ghiaccio in scaglie	Raffreddamento ad aria, ghiaccio a pepita	Raffreddamento ad aria, ghiaccio a cubetti
Alimentazione elettrica	Monofase 220 - 240V 50Hz	Monofase 220 - 240V 50Hz	Monofase 220 - 240V 50Hz
Consumi elettrici	640 W	640 W	640 W
Produzione cubetti ogni 24 ore	150 kg (ambiente 10°C, acqua 10°C)	140 kg (ambiente 10°C, acqua 10°C)	140 kg (ambiente 10°C, acqua 10°C)
Dimensioni	640 mm (L) x 600 mm (P) x 800 (798-833) mm (A)	640 mm (L) x 600 mm (P) x 800 (798-833) mm (A)	640 mm (L) x 600 mm (P) x 800 (798-833) mm (A)
Refrigerante	R134a, 220 g	R134a, 220 g	R134a, 220 g
Peso	Netto: 71 kg (Lordo: 82 kg)	Netto: 71 kg (Lordo: 82 kg)	Netto: 71 kg (Lordo: 82 kg)
Temp. ambiente	5 - 40°C	5 - 40°C	5 - 40°C
Temp. alimentazione acqua	5 - 35°C	5 - 35°C	5 - 35°C
Pressione alimentazione acqua	0,05 - 0,8 MPa (0,5 - 8 bar)	0,05 - 0,8 MPa (0,5 - 8 bar)	0,05 - 0,8 MPa (0,5 - 8 bar)
Range di tensione	Tensione nominale ± 10%	Tensione nominale ± 10%	Tensione nominale ± 10%

Modello	FM-150KE-50	FM-150KE-50-N	FM-120KE
Tipo	Raffreddamento ad aria, ghiaccio in scaglie	Raffreddamento ad aria, ghiaccio a pepita	Raffreddamento ad aria, ghiaccio in scaglie
Alimentazione elettrica	Monofase 220 - 240V 50Hz	Monofase 220 - 240V 50Hz	Monofase 220V 60Hz
Consumi elettrici	640 W	640 W	550 W
Produzione cubetti ogni 24 ore	150 kg (ambiente 10°C, acqua 10°C)	150 kg (ambiente 10°C, acqua 10°C)	145 kg (ambiente 10°C, acqua 10°C)
Dimensioni	940 mm (L) x 600 mm (P) x 800 (798-833) mm (A)	940 mm (L) x 600 mm (P) x 800 (798-833) mm (A)	640 mm (L) x 600 mm (P) x 800 (798-833) mm (A)
Refrigerante	R134a, 220 g	R134a, 220 g	R134a, 220 g
Peso	Netto: 81 kg (Lordo: 94 kg)	Netto: 81 kg (Lordo: 94 kg)	Netto: 71 kg (Lordo: 82 kg)
Temp. ambiente	5 - 40°C	5 - 40°C	5 - 40°C
Temp. alimentazione acqua	5 - 35°C	5 - 35°C	5 - 35°C
Pressione alimentazione acqua	0,05 - 0,8 MPa (0,5 - 8 bar)	0,05 - 0,8 MPa (0,5 - 8 bar)	0,05 - 0,8 MPa (0,5 - 8 bar)
Range di tensione	Tensione nominale ± 10%	Tensione nominale ± 10%	Tensione nominale ± 10%

Modello	CM-110KE-50	FM-80KE	FM-80KE-N
Tipo	Raffreddamento ad aria, ghiaccio a cubetti	Raffreddamento ad aria, ghiaccio in scaglie	Raffreddamento ad aria, ghiaccio a pepita
Alimentazione elettrica	Monofase 220V 60Hz	Monofase 220 - 240V 50Hz	Monofase 220 - 240V 50Hz
Consumi elettrici	550 W	300 W	300 W
Produzione cubetti ogni 24 ore	120 kg (ambiente 10°C, acqua 10°C)	85 kg (ambiente 10°C, acqua 10°C)	85 kg (ambiente 10°C, acqua 10°C)
Dimensioni	940 mm (L) x 600 mm (P) x 800 (798-833) mm (A)	640 mm (L) x 600 mm (P) x 800 (798-833) mm (A)	640 mm (L) x 600 mm (P) x 800 (798-833) mm (A)
Refrigerante	R134a, 220 g	R134a, 150 g	R134a, 150 g
Peso	Netto: 81 kg (Lordo: 94 kg)	Netto: 65 kg (Lordo: 75 kg)	Netto: 65 kg (Lordo: 75 kg)
Temp. ambiente	5 - 40°C	5 - 40°C	5 - 40°C
Temp. alimentazione acqua	5 - 35°C	5 - 35°C	5 - 35°C
Pressione alimentazione acqua	0,05 - 0,8 MPa (0,5 - 8 bar)	0,05 - 0,8 MPa (0,5 - 8 bar)	0,05 - 0,8 MPa (0,5 - 8 bar)
Range di tensione	Tensione nominale ± 10%	Tensione nominale ± 10%	Tensione nominale ± 10%

Il prodotto è dotato di un impianto refrigerante a tenuta ermetica contenente gas fluorurati a effetto serra inclusi nel Protocollo di Kyoto:

FM-150KE(-N)	R134a / GWP 1430 / 0,22 kg	FM-120KE	R134a / GWP 1430 / 0,22 kg
CM-140KE	R134a / GWP 1430 / 0,22 kg	CM-110KE-50	R134a / GWP 1430 / 0,22 kg
FM-150KE-50(-N)	R134a / GWP 1430 / 0,22 kg	FM-80KE(-N)	R134a / GWP 1430 / 0,15 kg

Il prodotto è isolato con schiumatura ottenuta con gas fluorurati a effetto serra.

Il prodotto soddisfa i requisiti principali in fatto di salute e sicurezza richiesti dalle normative seguenti:

Direttiva EMC (2004/108/CE)

Direttiva sulla bassa tensione (2006/95/CE)

Direttiva RoHS (2011/65/UE)

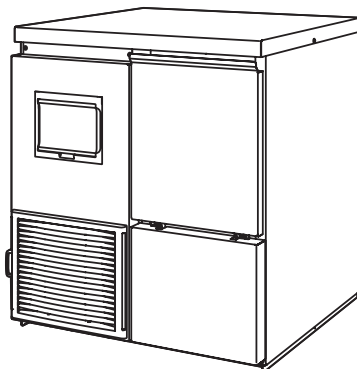
Regolamento riguardante i materiali e gli oggetti destinati a venire a contatto con i prodotti alimentari (CE 1935/2004)

Casa costruttrice: Hoshizaki Europe Ltd.
Telford 70 Stafford Park 7, Telford, Shropshire TF3 3BQ England



商用一体式制冰机

使用说明书



供最终用户使用

- 使用说明书是本产品不可分割的重要组成部分，用户须妥善保管。
- 请务必仔细阅读本说明书中描述的指南和警告事项，因为这些指南和警告事项为用户提供了持续安全地使用和保养本产品所需的重要信息。此外，本说明书还提供了有关制冰机的正确维修和安装地点方面的指南信息(仅适用于用户)。
- 请妥善保管本使用说明书，以便必要时参考使用。

生产商: **Hoshizaki Europe Ltd.**
Telford 70 Stafford Park 7, Telford,
Shropshire TF3 3BQ England

联系人: **星崎冷热机械(上海)有限公司**
上海市静安区南京西路580号南证大厦2802室
电话: (021) 5228-8181 传真: (021) 5228-0113

FM-150KE
FM-150KE-N
CM-140KE
FM-150KE-50
FM-150KE-50-N
FM-120KE
CM-110KE-50
FM-80KE
FM-80KE-N

L1F080202 (093014)

重要安全须知	1
I. 安装说明	2
1. 构造	2
2. 位置	2
3. 电气连接	2
4. 供水和排水连接	3
II. 操作说明	3
1. 启动	3
2. 关机	3
3. 长时间不使用制冰机时	3
III. 保养	4
1. 清洁	4
2. 检查和保养	5
3. 联系维修机构前	5
4. 废弃处理	6
5. 保修	6
规格	6

重要安全须知

本说明书提供可能导致死亡、严重受伤或损坏设备的注意事项，请用户使用时注意。

▲警告	表示如不可避免，则可能导致死亡或严重受伤的危险情况。
▲小心	表示如不可避免，则可能导致轻微受伤或中度受伤的危险情况。
注意	表示如不可避免，则可能导致本设备损坏的危险情况。
▲卫生	表示与卫生和食品安全相关的重要预防措施。
重要	表示与使用和维护本设备相关的重要信息。

▲警告

本制冰机为商用设备，仅限于其设计适用的用途。

其它任何用途都被视为不当用途，因而可能造成危险。对因本产品使用不当、使用不正确和不合理所造成的的任何损失，生产商不承担法律责任或相关责任。

安装及必要时的移机作业，必须交由具备相应知识的作业人员依照现行法规并根据生产商的说明进行。

保持机体内外通风口畅通无阻。

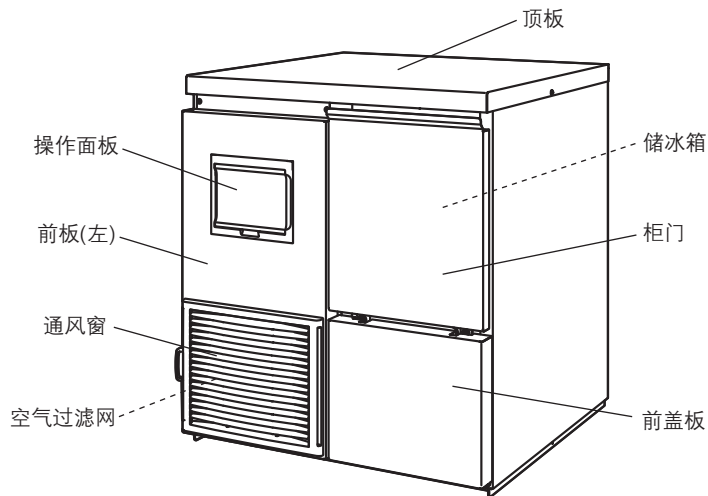
使用任何电气设备均应遵循一些基本规则，尤其是：

- * 高湿度和潮气会加大电路短路及潜在触电的危险。如有可疑情况，请切断制冰机电源。
- * 将制冰机与供电网络断开时，请勿损坏或拉扯电源线。
- * 请勿用湿手触碰电气部件或操作开关。
- * 本产品不适合8岁以上的儿童和残障、智障以及缺乏相应经验和知识的人士单独使用，除非其了解相关危害且有专人负责其安全并对其使用本产品加以监督或指导。
- * 谨防儿童玩耍本产品。
- * 禁止由儿童在无人监督的情况下执行清洁和保养作业。
- * 请勿尝试改装制冰机。应仅由具备相应知识的作业人员实施拆解或维修作业。

中文

I. 安装说明

1. 构造



2. 位置

警告

本制冰机不适合在户外使用。
不得将制冰机安装在靠近火炉、烤箱或其它会产生高温的设备附近。
本产品不适合安装在可能使用喷水器的区域。

小心

制冰机应安装在坚实、平坦的地面上。

注意

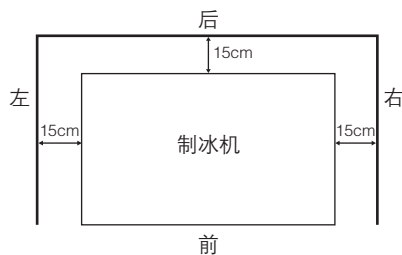
请勿在制冰机上方或通风窗前方放置任何物品。

重要

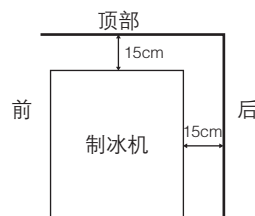
正常工作环境温度应为 5°C 至 40°C。供水管路只可连接冷水。如果制冰机长时间超出上述正常温度范围工作，可能会影响制冰能力。

必须留出以下指定的空间，以确保通风顺畅和便于维修保养。

顶视图



侧视图



高湿度环境下，机器内部可能会产生冷凝水，从而滴在地上。因此，请勿将其安装在易因滴水而损坏地板的场所。

3. 电气连接

警告

本制冰机必须接地

本制冰机必须按所在国家和地区的电气安全标准进行接地。

进行任何保养、维修或清洁作业前，请切断主电源。

* 通常情况下，应由持有电工资质证书或经授权的维修人员进行作业。

* 若电源线已破损，请更换星崎零部件/维修中心提供的电源线。

4. 供水和排水连接

警告

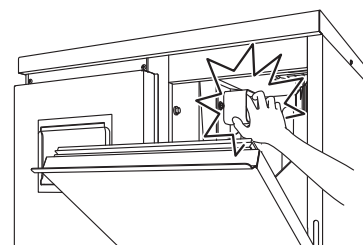
请仅连接至饮用水（冷水）供水管。

- * 与总供水管线的连接必须符合国家当前供水和供水连接件规定的相关要求。
- * 制冰用水必须为饮用水。在易因水质问题而产生水垢的场合，建议安装一台外部过滤器或软水装置。相关事宜，敬请垂询当地的专业水处理机构或星崎维修机构。
- * 在部分地区可能要求具备水管敷设许可证并由持有相应资质证书的水管工进行作业。

II. 操作说明

小心

请勿踏入储冰箱，或将手放入储冰箱内部的机械室内。若儿童不慎进入机器，制冰机构可能突然启动，从而导致人员受伤。



注意

所有零部件在出厂前均经过调整。调整不当可能会导致故障。
关闭制冰机后，应至少等待 3 分钟后再重新启动制冰机，以防止压缩机受损。

卫生

本制冰机设计用于制造食用冰。为保持制冰机清洁卫生，请做到以下几点：

- * 取冰前先洗手。使用附带的塑料冰铲(附件)取冰。
- * 储冰箱仅用于储存冰块。请勿在储冰箱内存储其它物品，或在箱内使用其它电器。
- * 使用前须清洁储冰箱(参见“III. 1. 清洁”)。
- * 保持冰铲清洁。用中性清洁剂清洗后再用水彻底冲洗。
- * 取冰后关闭储冰箱门，以防止污垢、灰尘或昆虫进入储冰箱。

1. 启动

安装人员通常会试运行制冰机，启动自动制冰过程。为确保制冰机可以连续工作，请确认以下内容：

- * 供水龙头已经打开；
- * 制冰机已经接通电源。

若要启动制冰过程，应查看操作面板上运行开关的位置：

- “OFF”（关闭）位置 – 将开关转到“ON”（打开）位置。
- “ON”（打开）位置 – 按下制冰按钮。

2. 关机

按下操作面板上的停止按钮。在排水控制运行期间，显示屏将在“STOP”（停止）模式下闪烁15分钟；当排水控制运行结束时，显示屏将一直点亮。

3. 长时间不使用制冰机时

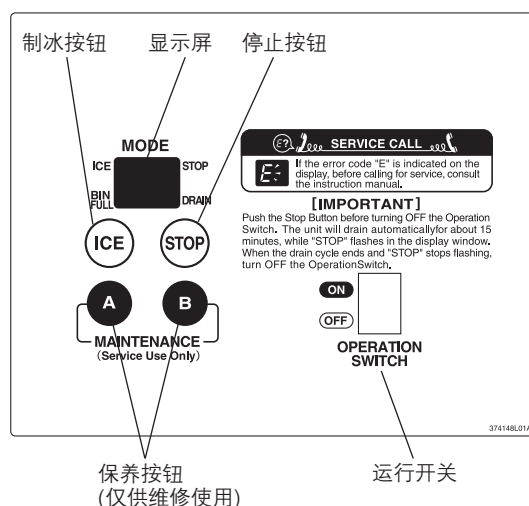
注意

本制冰机无法在冰点以下温度工作。为防止损坏供水管路，当气温低于零度时，请排空制冰机内的水。

卫生

制冰机停机2天或2天以上时，请将里面的水排空，防止水路污染。

操作面板



中文

- 1) 按照“2. 关机”中的说明进行操作。
- 2) 将运行开关转到“OFF”(关闭)位置。
- 3) 关闭供水龙头。
- 4) 从供水龙头上拆下进水软管, 并排出软管中的水。
- 5) 切断电源。
- 6) 取出储冰箱内所有冰块并清洁储冰箱。
- 7) 请具备相应知识的专业人员对制冰机执行排水作业。
- 8) 若要重新启动制冰机, 请遵照“1. 启动”中的说明。

III. 保养

1. 清洁

▲警告
进行清洁或保养作业前, 请将制冰机的电源插头从供电网络上拔下。
严禁用喷水器冲洗本制冰机。
▲小心
使用中性溶液或次氯酸钠溶液时, 请务必充分阅读并理解所附带的说明, 防止产生潜在的健康问题。
注意
应由受过培训的维修人员对制冰机水路系统进行清洁和消毒作业(每年至少两次), 并对冷凝器进行检查和清洁作业(每年至少一次)。
请勿将塑料零件放入温度超过 40°C 的水中或洗碗机中清洗, 以免损坏零件。

[a] 制冰机和储冰箱外壳

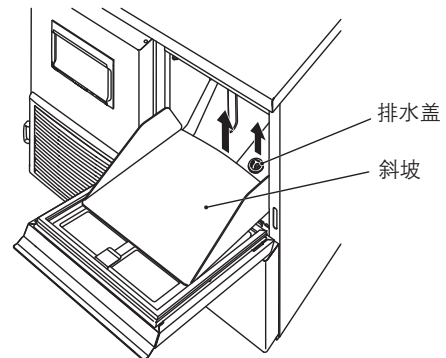
用干净的软布每周至少擦拭制冰机的外壳一次。用含有中性清洁剂的湿布擦拭油脂或脏物。

[b] 冰铲和储冰箱门把手的清洗和消毒(每天)

- 1) 按指示要求在合适的容器中倒入1升水, 然后加入4毫升的5.25%次氯酸钠溶液或者星崎推荐的消毒剂进行混合。
- 2) 将冰铲浸泡在溶液中3分钟以上, 然后彻底冲洗并甩干多余的水分。
注: 用抹布擦干可能导致二次污染。
- 3) 用中性清洁剂清洁储冰箱门把手, 然后彻底冲洗干净。
- 4) 用在消毒溶液中浸泡过的干净抹布擦拭把手。用清水冲洗后, 再用干净的抹布擦干。

[c] 清洗并消毒储冰箱内部(每周)

- 1) 打开储冰箱门, 取出所有冰块。
- 2) 轻轻上提斜坡, 使其从左右轴上脱开。
- 3) 拆下位于储冰箱基座部位的排水盖。
- 4) 使用中性不含细小微粒的清洁剂清洗储冰箱内胆、斜坡和排水盖, 然后彻底冲洗干净。
注: 小心请勿损坏储冰箱顶部的储冰控制执行器。
- 5) 按指示要求在合适的容器中倒入5升水, 然后加入18毫升的5.25%次氯酸钠溶液或者星崎推荐的消毒剂进行混合。



- 6) 用在溶液中浸泡过的干净海绵或抹布擦拭储冰箱内胆表面、斜板和排水盖。
- 7) 将斜板和排水盖装回原位。
- 8) 用清洁液擦拭储冰箱门的表面。最后关闭储冰箱门。
- 9) 剩下的清洁液可用于清洁器皿。

注：请勿在消毒后立即擦干或冲洗器皿，仅可风干处理。

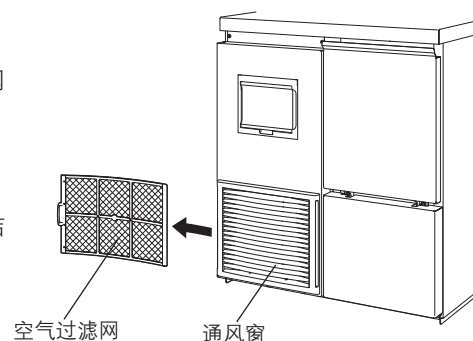
[d] 储冰箱门

请每周至少一次使用中性不含细小微粒的清洁剂清洗制冰箱门。必要时应在清洁和消毒后彻底清洗箱门。

[e] 空气过滤网

塑料网状空气过滤网可以滤除空气中的污垢或灰尘，防止冷凝器堵塞。如果过滤网堵塞，制冰机的性能将会下降。每月请拆下并清洗空气过滤网至少两次：

- 1) 将空气过滤网从通风窗上滑下。
- 2) 用真空吸尘器清洁空气过滤网。如果空气过滤网严重堵塞，请用温水和中性清洁剂清洗。
- 3) 彻底冲洗并晾干空气过滤网。



注意

清洁后，请务必将空气过滤网装回原处。

2. 检查和保养

注意

为达到制冰机最佳性能，须对下列部件进行定期检查和保养：

- 挤压头(上轴承)
- 外壳(下轴承)
- 机械密封

上述部件须在安装2年或运行10,000小时之后进行首次检查，并须逐年检查一次。若磨损度超过出厂建议值，则须更换上述部件。

然而，由于部件使用寿命取决于水质和环境。因此在水质不佳和环境恶劣的情况下，建议提高检查和保养的频度。

关于检查和保养维修详情，请咨询当地的星崎维修机构。

3. 联系维修机构前

警告

请勿损坏制冷剂回路。

[a]有故障代码显示

如果显示屏上显示故障代码“E”，请在联系维修机构前检查以下事项：

代码	解决方法
E0	可能存在漏水。关闭运行开关后再次打开。如果故障代码再次出现，请联系维修机构。
E1	制冰量过低。关闭运行开关后再次打开。如果故障代码再次出现，请联系维修机构。
E2	供水回路故障。关闭运行开关后再次打开。如果故障代码再次出现，请联系维修机构。
E3	齿轮马达故障。关闭并在10分钟后再次打开运行开关。如果故障代码再次出现，请联系维修机构。
E4	高压端压力异常。清洁空气过滤网。根据安装手册确认制冰机已正确安装。关闭运行开关后再次打开。如果故障代码再次出现，请联系维修机构。
E5	电路故障。关闭运行开关后再次打开。如果故障代码再次出现，请联系维修机构。

中文

E8	压缩机过热。根据安装手册确认制冰机已正确安装。关闭并在10分钟后再次打开运行开关。如果故障代码再次出现，请联系维修机构。
EA	电路故障。关闭运行开关后再次打开。如果故障代码再次出现，请联系维修机构。
Eb	电路故障。关闭运行开关后再次打开。如果故障代码再次出现，请联系维修机构。
EC	电路故障。关闭运行开关后再次打开。如果故障代码再次出现，请联系维修机构。
EE	齿轮马达故障。关闭运行开关后再次打开。如果故障代码再次出现，请联系维修机构。
EF	电源电压过低。确认电压处在规定范围内，且制冰机没有与其它电器共用一个电源插座。关闭运行开关后再次打开。如果故障代码再次出现，请联系维修机构。
EH	电路故障。关闭运行开关后再次打开。如果故障代码再次出现，请联系维修机构。
EL	储冰控制开关故障。关闭运行开关后再次打开。如果故障代码再次出现，请联系维修机构。
En	电路故障。关闭运行开关后再次打开。如果故障代码再次出现，请联系维修机构。
EU	控制板故障。关闭运行开关后再次打开。如果故障代码再次出现，请联系维修机构。

[b]无故障代码显示

如果制冰机无法正常工作或根本不工作且显示屏上无故障代码显示，请在联系维修机构前检查以下事项：

- *制冰机的电源是否接通。
- *水龙头是否打开。
- *空气过滤网是否干净。

请联系当地的星崎维修机构，以获取进一步的帮助或咨询。

4. 废弃处理

对本制冰机机器附带的制冷剂进行废弃处理时，请遵照当地的法律法规。在丢弃本产品前，请务必拆下柜门，以防儿童不慎进入。

5. 保修

星崎向拥有者/用户保证，星崎品牌的所有产品在产品“保修期”内不存在材料和/或工艺缺陷。产品保修在自产品安装之日起两年内有效。

星崎在此保修条款下承担有限责任，日常维护、清洁、必需的保养和/或因误用以及未根据星崎的准则安装而导致的修理则不在星崎的责任范围内。

保修范围内的维修应由授权的星崎经销商或维修机构采用星崎的原装/纯正零部件实施。

若要获取有关保修和授权维修机构的详细信息，请联系经销商/供货商或最近的星崎维修办事处：

星崎冷热机械(上海)有限公司
电话：(021)5228-8181
传真：(021)5228-0113

规格

型号	FM-150KE	FM-150KE-N	CM-140KE
类型	风冷型，雪花冰	风冷型，碎状冰	风冷型，方形冰
电源	单相220~240V 50Hz	单相220~240V 50Hz	单相220~240V 50Hz
功率	640W	640W	640W
每24小时的制冰量	150kg (周围温度10°C, 水温10°C)	140kg (周围温度10°C, 水温10°C)	140kg (周围温度10°C, 水温10°C)
尺寸	640mm(W) × 600mm(D) × 800(798-833)mm(H)	640mm(W) × 600mm(D) × 800(798-833)mm(H)	640mm(W) × 600mm(D) × 800(798-833)mm(H)
制冷剂	R134a, 220g	R134a, 220g	R134a, 220g
重量	净重：71kg(毛重：82kg)	净重：71kg(毛重：82kg)	净重：71kg(毛重：82kg)
周围温度	5 - 40°C	5 - 40°C	5 - 40°C
供水温度	5 ~ 35°C	5 ~ 35°C	5 ~ 35°C
供水压力	0.05 ~ 0.78MPa (0.5 ~ 8bar)	0.05 ~ 0.78MPa (0.5 ~ 8bar)	0.05 ~ 0.78MPa (0.5 ~ 8bar)
电压范围	额定电压 ± 10%	额定电压 ± 10%	额定电压 ± 10%

型号	FM-150KE-50	FM-150KE-50-N	FM-120KE
类型	风冷型, 雪花冰	风冷型, 碎状冰	风冷型, 雪花冰
电源	单相220 ~ 240V 50Hz	单相220 ~ 240V 50Hz	单相220V 60Hz
功率	640W	640W	550W
每24小时的制冰量	150kg (周围温度10°C, 水温10°C)	150kg (周围温度10°C, 水温10°C)	145kg (周围温度10°C, 水温10°C)
尺寸	940mm(W) × 600mm(D) × 800(798-833)mm(H)	940mm(W) × 600mm(D) × 800(798-833)mm(H)	640mm(W) × 600mm(D) × 800(798-833)mm(H)
制冷剂	R134a, 220g	R134a, 220g	R134a, 220g
重量	净重: 81kg(毛重: 94kg)	净重: 81kg(毛重: 94kg)	净重: 71kg(毛重: 82kg)
周围温度	5 - 40°C	5 - 40°C	5 - 40°C
供水温度	5 ~ 35°C	5 ~ 35°C	5 ~ 35°C
供水压力	0.05 ~ 0.78MPa (0.5 ~ 8bar)	0.05 ~ 0.78MPa (0.5 ~ 8bar)	0.05 ~ 0.78MPa (0.5 ~ 8bar)
电压范围	额定电压 ± 10%	额定电压 ± 10%	额定电压 ± 10%

型号	CM-110KE-50	FM-80KE	FM-80KE-N
类型	风冷型, 方形冰	风冷型, 雪花冰	风冷型, 碎状冰
电源	单相220V 60Hz	单相220 ~ 240V 50Hz	单相220 ~ 240V 50Hz
功率	550W	300W	300W
每24小时的制冰量	120kg (周围温度10°C, 水温10°C)	85kg (周围温度10°C, 水温10°C)	85kg (周围温度10°C, 水温10°C)
尺寸	940mm(W) × 600mm(D) × 800(798-833)mm(H)	640mm(W) × 600mm(D) × 800(798-833)mm(H)	640mm(W) × 600mm(D) × 800(798-833)mm(H)
制冷剂	R134a, 220g	R134a, 220g	R134a, 220g
重量	净重: 81kg(毛重: 94kg)	净重: 65kg(毛重: 75kg)	净重: 65kg(毛重: 75kg)
周围温度	5 - 40°C	5 - 40°C	5 - 40°C
供水温度	5 ~ 35°C	5 ~ 35°C	5 ~ 35°C
供水压力	0.05 ~ 0.78MPa (0.5 ~ 8bar)	0.05 ~ 0.78MPa (0.5 ~ 8bar)	0.05 ~ 0.78MPa (0.5 ~ 8bar)
电压范围	额定电压 ± 10%	额定电压 ± 10%	额定电压 ± 10%