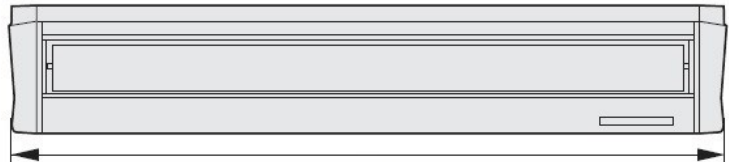
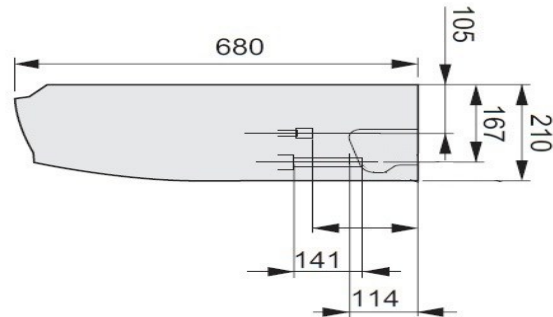
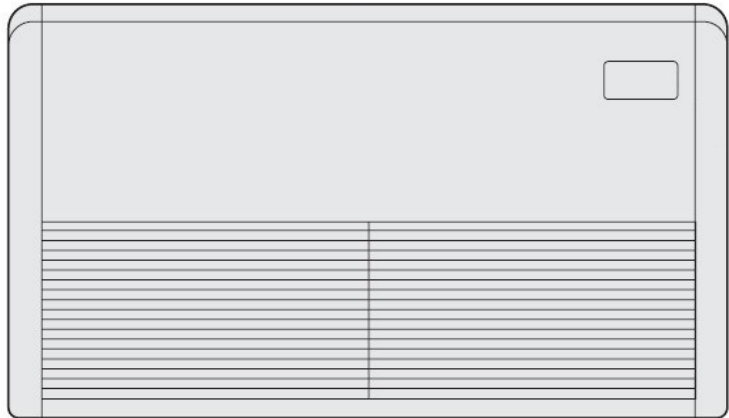


MMC-AP0274H-E Ceiling Suspended

- The best solution when no ceiling void is available
- Fresh air intake
- Lift pump up to 600mm lift
- Optimum louver control
- Hard wired or Infra red remote option



1180



Model Reference	MMC-AP0274H-E
Nominal Cooling (kW)	8.0
Nominal Heating (kW)	9.0
Capacity Code	3.0
Power Input (Cool/Heat) (kW)	0.050
UK Cooling (kW)	7.69
UK Sensible Cooling (kW)	5.77
UK Heating (kW)	7.29
Starting Current (A)	0.62
Running Current (A)	0.42
Suggested Fuse Size (A)	3
Power Supply (V-ph-Hz)	220/240-1-50
Interconnecting Cable	2 Core Screened 1.5mm
Sound Power H-M-L (dB(A))	51-49-46
Sound Pressure H-L (dB(A))	38-33
Air Flow H-L (m ³ /h)	1110-840
Air Flow H-L (l/s)	307-233
Dimensions (HxWxD) mm	210 x 1180 x 680
Unit Weight (kg)	26

Cool Designs Ltd

Raising the Standards in Air Conditioning Distribution

www.cooldesignsltd.co.uk



All UK duties are based on Cooling Indoor air temperature 22°C DB/16°C WB Outdoor air temperature 28°C DB 50% RH, high fan speed, 5m pipe run.
Heating Indoor air temperature 21°C DB Outdoor air temperature -4°C DB 100% RH, high fan speed, 5m pipe run. Values are based on the maximum compressor output.
Data obtained from Toshiba Air Conditioning Web Data July 2013.