



GB 1540

LIST OF THE EXPLODED VIEWS



SHELL ASSY

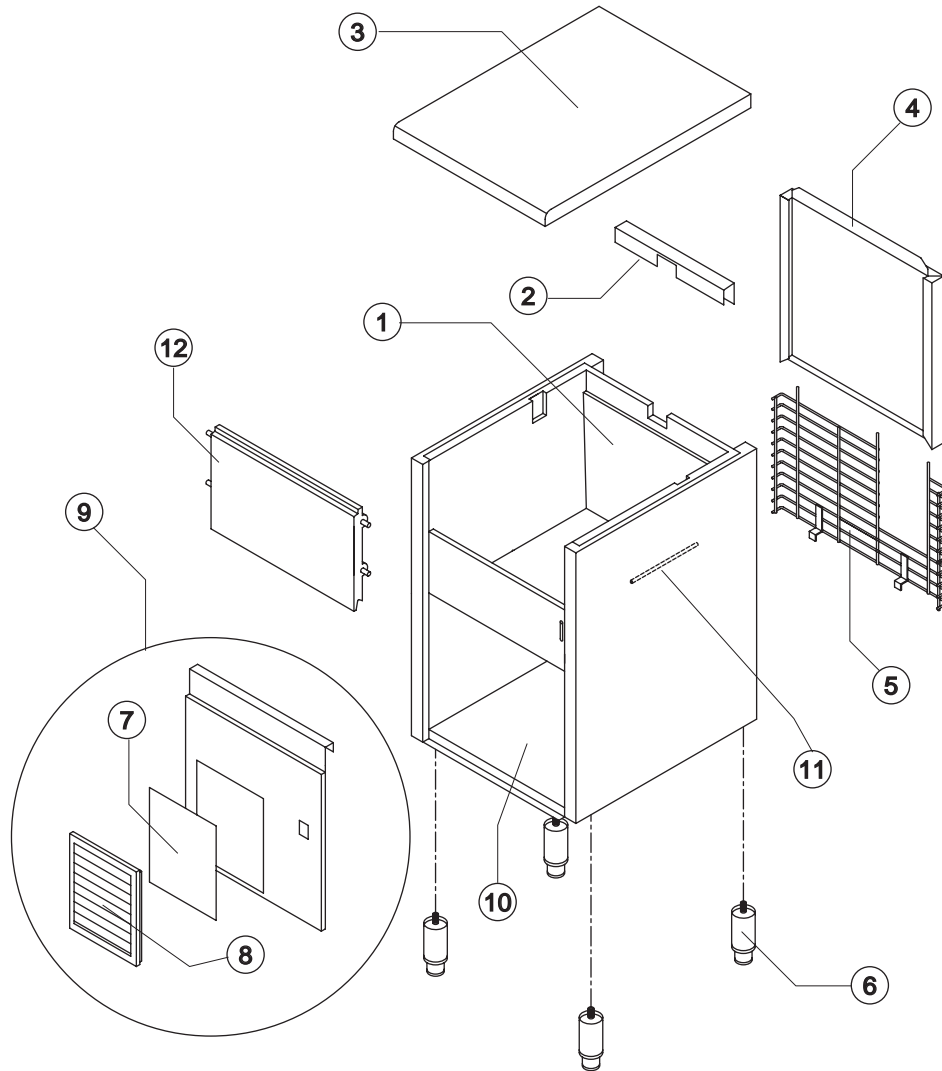
COOLING SYSTEM

EVAPORATOR

HYDRAULIC CIRCUIT

ELECTRIC PARTS

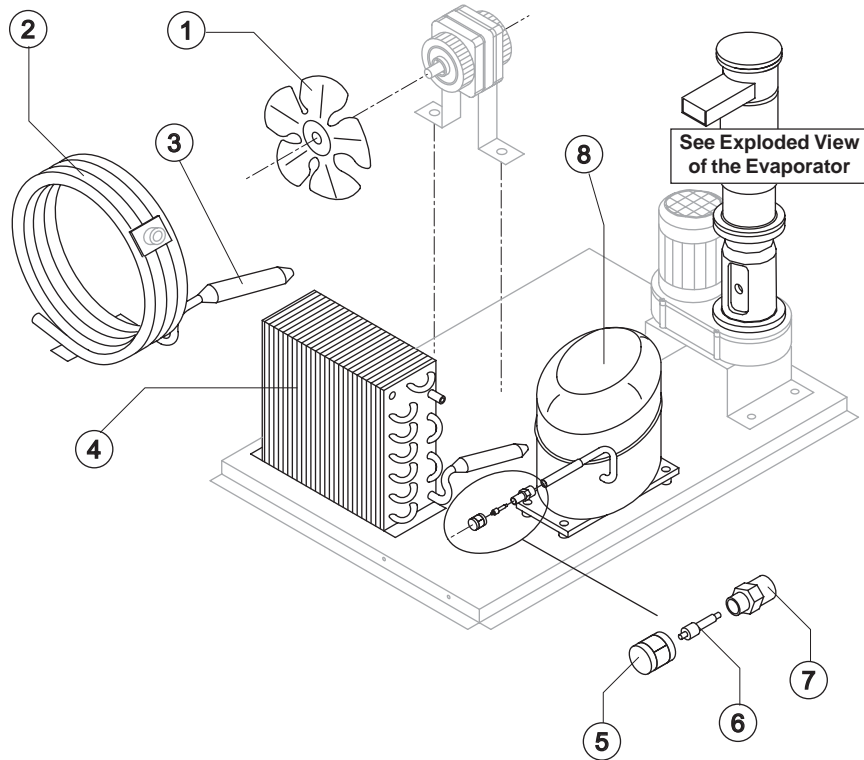
Rev. 15 - 22/01/2014



| Ref. | Spare Description | Code |
|------|---------------------------------|-----------|
| 1 | Foamed Cabinet Assy | See Table |
| 2 | Cover for Ice Exhaust | 22592 |
| 3 | Top Assembly | C22690 |
| 4 | Rear Panel Assembly | C21201 |
| 5 | Rear Grid | D12020 |
| 6 | Adjustable Stainless Steel Foot | 20613 |
| 7* | Filtering Panel | 18106 |
| 8 | Frame + Grid & Filter | C10205 |
| 9 | Front Grid Panel | C22509 |
| 10 | Base Plate | 21284 |
| 11 | Bulbe-holder Pipe | 20522 |
| 12 | Door Assy | C10275 |

Ref. 1 - Foamed Cabinet Assy

| Condensation | Code |
|--------------|---------|
| Air | C11097A |
| Water | C11097W |



Common Parts

| Ref. | Spare Description | Code |
|------|----------------------------|-----------|
| 3* | Molecular Drier | 14009 |
| 5* | Vacuum-Charge Valve Plug | 14006 |
| 6* | Vacuum-Charge Valve Body | 14005 |
| 7 | Vacuum-Charge Valve Device | 14007 |
| 8 | Compressor | See Table |

Parts for Air-Cooled Version Only

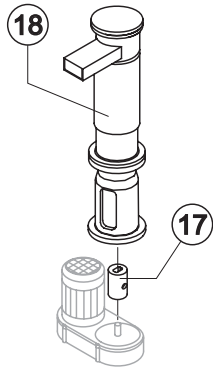
| Ref. | Spare Description | Code | |
|------|-------------------|------------------|-------|
| 1 | Sucking Fan | 20031 | |
| 4 | Air Condenser | Current Version | 20558 |
| 4 | Air Condenser | Till s/n. 347947 | 20175 |

Parts for Water-Cooled Version Only

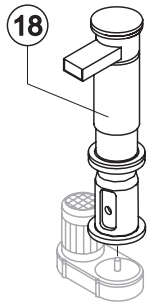
| Ref. | Spare Description | Code |
|------|-------------------|-------|
| 1 | Sucking Fan | 10213 |
| 2 | Water Condenser | 14014 |

Ref. 8 - Compressor

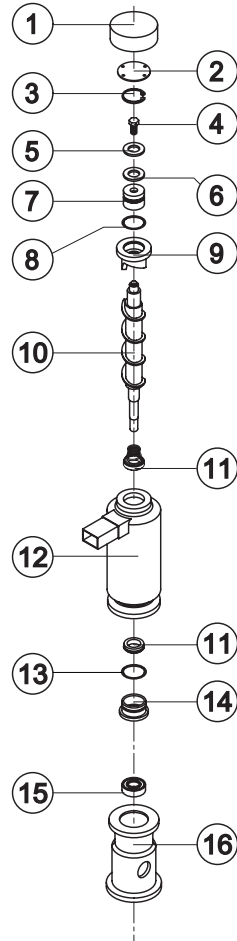
| Voltage | Code |
|---------|--------|
| T11 | 23832 |
| T12 | 23578A |
| T13 | 23679 |
| T19 | 23679 |



C11140

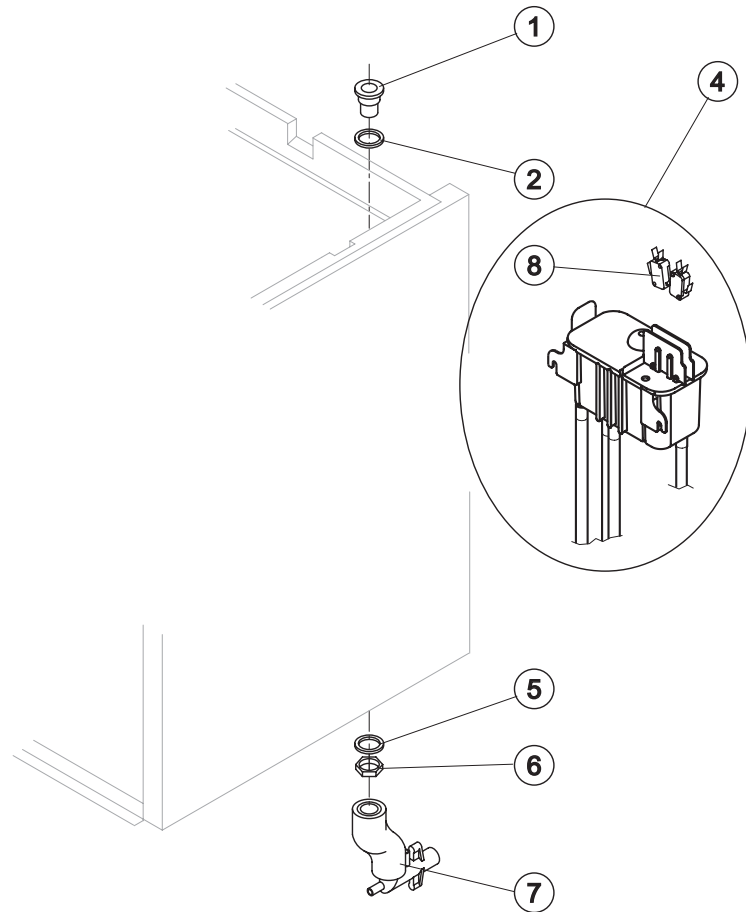


KITNEVGB



For Complete Evaporator,
order C11140.
Till s/n. 223592 order
code KITNEVGB.

| Ref. | Spare Description (from s/n. 211898) | Code |
|------|--------------------------------------|---------------------------|
| 1 | Insulating Cap | 18170 |
| 2 | Closing Disk | 22825 |
| 3 | Seeger | 20043 |
| 4 | Stainless Steel Screw | 20663 |
| 5 | Shimming Disk | 22826 |
| 6 | Self-Lubricating Disk | 20631 |
| 7 | Stainless Steel Thrust Bearing | 20686 |
| 8 | OR Gasket 3087 | 20688 |
| 9 | Ice Breaker | 20626 |
| 10 | Auger | Current Version 20783 |
| 10 | Auger with Screw | Till s/n. 223592 C20783 |
| 11 | Ceramic Seal | 20937 |
| 12 | Insulated Evaporator | C11107 |
| 13 | OR Gasket 3162 NBR70 | 20429 |
| 14 | Reduction Ring | Current Version 20785 |
| 14 | Reduction Ring | Till s/n. 223592 20624 |
| 15 | Stainless Steel Bearing | Current Version 20782 |
| 15 | Stainless Steel Bearing | Till s/n. 223592 20045 |
| 16 | Flange | 20629 |
| 17 | Joint | Current Version D20784 |
| 17 | Joint | Till s/n. 223592 D20630 |
| 18 | Evaporator Assy | Current Version C11140 |
| 18 | Evaporator Assy | Till s/n. 223592 KITNEVGB |



Common Parts

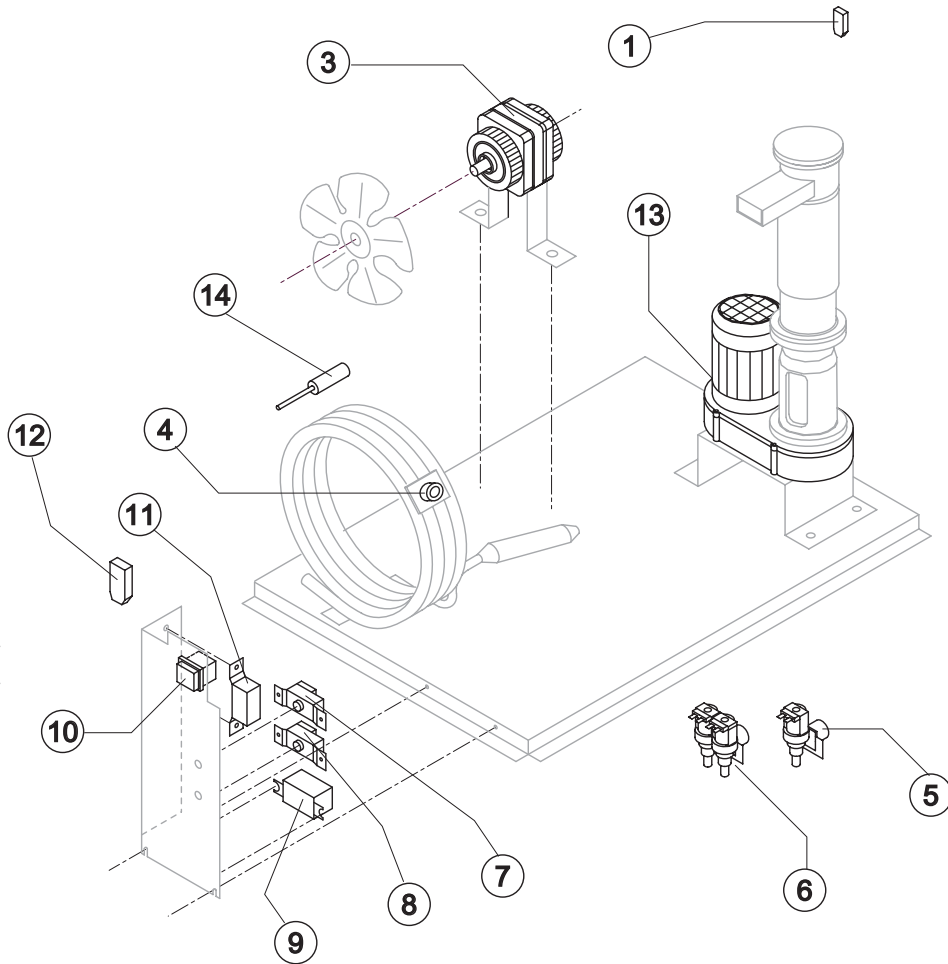
| Ref. | Spare Description | Code |
|------|-------------------------------|--------|
| 1 | Water Outlet Nipple | 10472 |
| 2 | Silicone Gasket | 13006 |
| 4* | Double Switch Basin Assembly | C10706 |
| 5 | Semirigid Polyethylene Gasket | 13007 |
| 6 | Bin Discharge Nut | 10096 |
| 8 | Microswitch | 23055 |

Parts for Air-Cooled Version Only

| Ref. | Spare Description | Code |
|------|---------------------|--------|
| 7 | Discharges Manifold | C10235 |

Parts for Water-Cooled Version Only

| Ref. | Spare Description | Code |
|------|---------------------|--------|
| 7 | Discharges Manifold | C10240 |



Common Parts

| Ref. | Spare Description | Code |
|------|---|--------|
| 1 | Anti Radio Interference Filter T11 | C23457 |
| 3* | Fan Motor See Table | - |
| 7* | Bin Thermostat | R23005 |
| 8* | Evaporator Thermostat Till. s/n. 613004 | R23034 |
| 9* | Relay See Table | - |
| 10* | Green Light Switch (On-Off) | 23327 |
| 11* | Condenser Pressure Switch See Table | - |
| 12 | Anti Radio Interference Filter T11 | C23459 |
| 13 | Gearmotor See Table | - |
| 14 | Low pressure safety switch From s/n. 613005 | 23909 |

Parts for Air-Cooled Version Only

| Ref. | Spare Description | Code |
|------|------------------------------------|------|
| 5* | 1 Way- Water Inlet Valve See Table | - |

Parts for Water-Cooled Version Only

| Ref. | Spare Description | Code |
|------|-------------------------------------|--------|
| 4* | Safety Thermostat | C23114 |
| 6* | 2 Ways- Water Inlet Valve See Table | - |

Ref. 3* - Fan Motor

| Voltage | Air | Water |
|---------|-------|-------|
| T11 | 23067 | 23029 |
| T12 | 23681 | 23029 |
| T13 | 23621 | 23683 |
| T19 | 23621 | 23683 |

Ref.5* - 1 Way-Water Inlet Valve

| Voltage | Code |
|---------|-------|
| T11 | 23115 |
| T12 | 23115 |
| T13 | 23410 |
| T19 | 23410 |

Ref. 6* - 2 Ways-Water Inlet Valve

| Voltage | Code |
|---------|-------|
| T11 | 23010 |
| T12 | 23010 |
| T13 | 23261 |
| T19 | 23261 |

Ref. 9* - Relay

| Voltage | Code |
|---------|-------|
| T11 | 23190 |
| T12 | 23190 |
| T13 | 23557 |
| T19 | 23557 |

Ref. 11* - Cond. Pressure Switch

| Voltage | Code |
|---------|-------|
| T11 | 23175 |
| T12 | 23175 |
| T13 | 23175 |
| T19 | 23680 |

Ref. 13 - Gearmotor

| Voltage | Current Version | Till s/n. 594455 |
|---------|-----------------|------------------|
| T11 | 231030 | R231030 |
| T12 | 231030 | R231030 |
| T13 | 231056 | R231056 |
| T19 | 231056 | R231056 |