



CB 249

LIST OF THE EXPLODED VIEWS



SHELL ASSY

COOLING SYSTEM

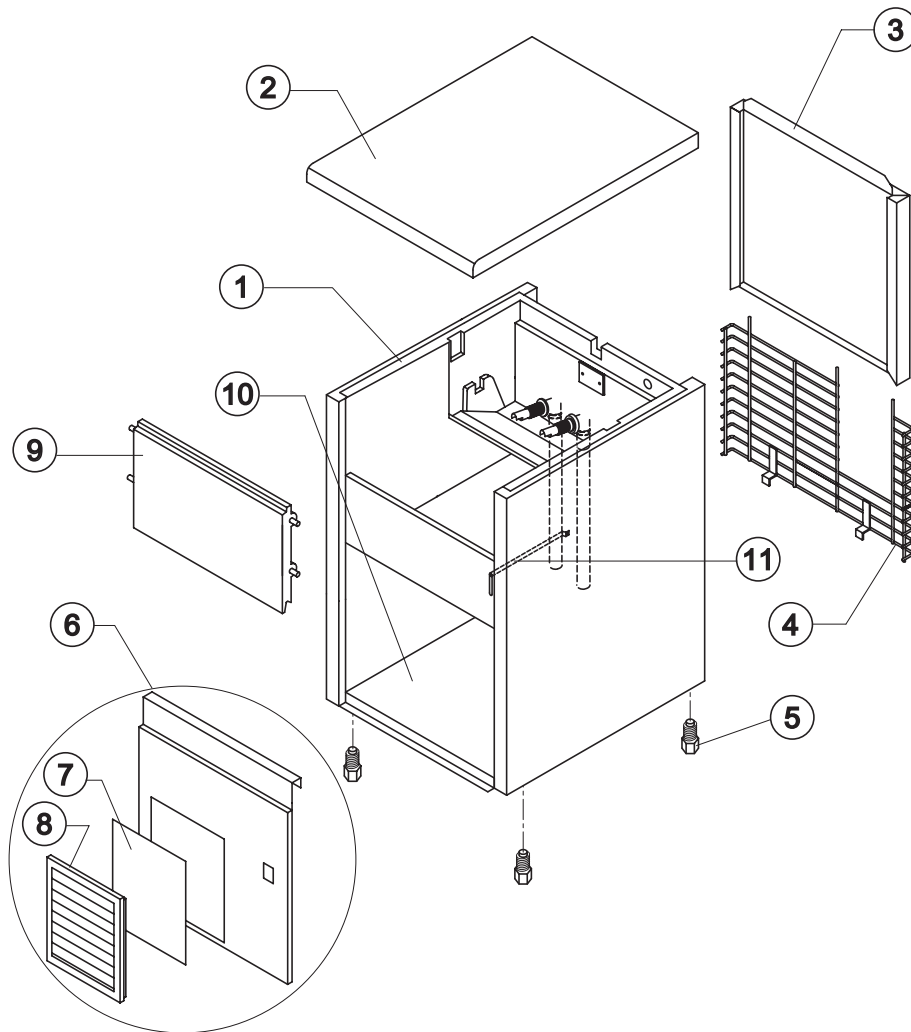
HYDRAULIC CIRCUIT

ELECTRIC PARTS



CB 249

SHELL ASSY

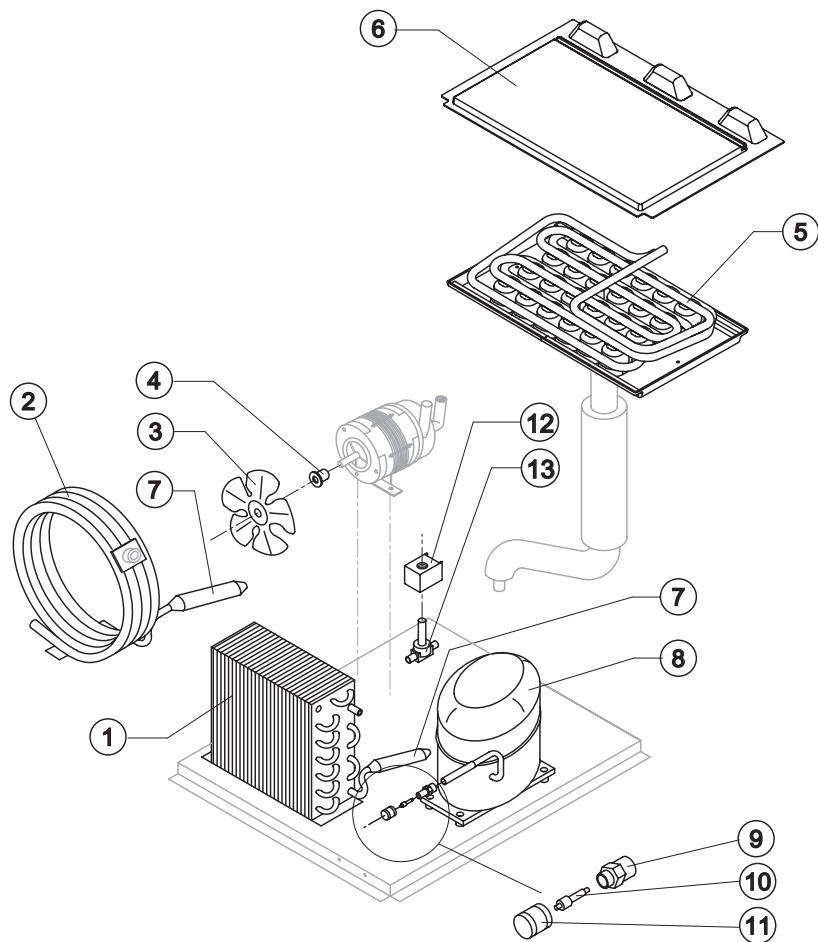


Ref.	Spare Description	Code
1	Foamed Cabinet Assy	See Table
2	Top Assembly	C22693
3	Rear Panel Assembly	C21181
4	Rear Grid	D12002
5	Foot	10017
6	Front Grid Panel	C22506
7*	Filtering Panel	18106
8	Frame + Grid & Filter	C10205
9	Door Assembly	C10303
10	Base Plate	21001
11	Bulb-holder Pipe	20520

Ref. 1 - Foamed Cabinet Assy

Condensation	Code
Air	RC11041A
Water	RC11041W

Rev. 9 - 26/08/2013



Common Parts

	Spare Description	Code
3	Sucking Fan	10213
4	Fan Fixing Hub	10014
5	Evaporator	See Table -
6	Evaporator Cover Panel	Current Version 10451
6	Evaporator Cover Panel	TiIL s/n. 225081 10008
7*	Molecular Drier	14009
8	Compressor	Vedi Tabella -
9	Vacuum-Charge Valve Body	14007
10*	Vacuum-Charge Valve Device	14005
11*	Vacuum-Charge Valve Plug	14006
12*	Hot Gas Valve Coil	See Table -
13*	Hot Gas Valve Body	20410

Parts For Air-Cooled Version Only

Ref.	Spare Description	Code
1	Air Condenser	20534

Parts For Water-Cooled Version Only

Ref.	Spare Description	Code
2	Water Condenser	14057

Ref. 5 - Evaporator

Kind of Cube	Code
18 g. (Standard)	D10045
33 g.	D10320
13 g.	D10416

Ref. 8 - Compressor

Voltage	Code
T11	23985
T12	23494A
T13	231036
T19	231036

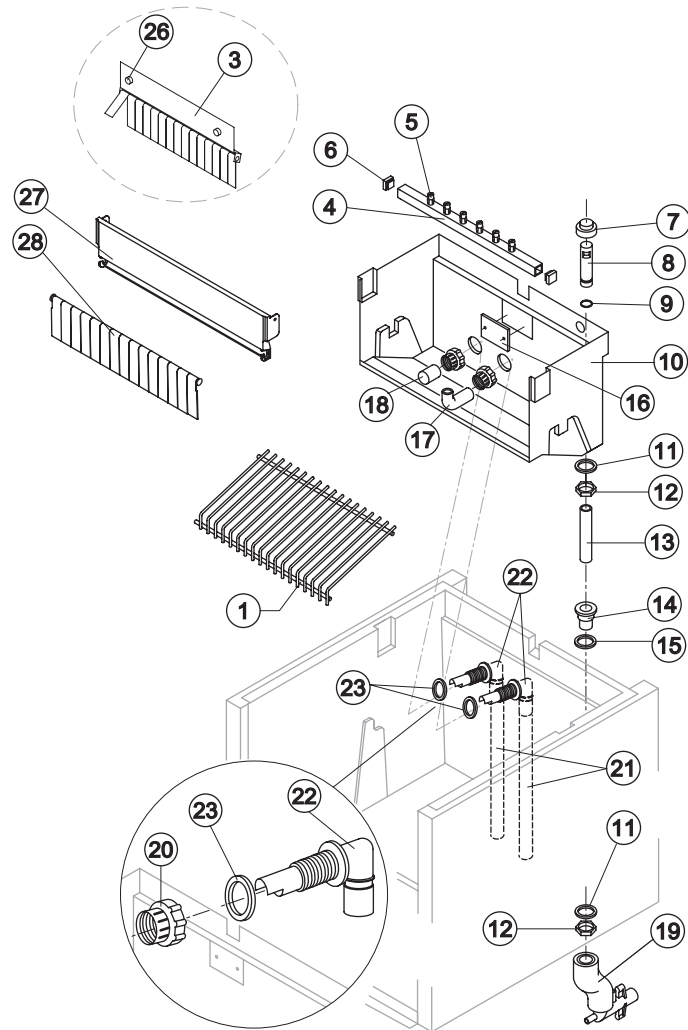
Ref. 12* - Hot Gas Valve Coil

Voltage	Code
T11	23091
T12	23091
T13	23256
T19	23256



CB 249

HYDRAULIC CIRCUIT



Common Parts

Ref.	Spare Description	Code
1	Ice Cubes Slide	See Table
3	Panel with Flags	Till s/n. 378995
4*	Sprayers Bar Assembly	See Table
5	Sprayer	D20002
6	Sprayer Bar Plug	10012
7*	Overflow Cap	10305
8*	Overflow Pipe	10133
9*	OR Gasket for Overflow Pipe	20233
10	Inner Basin	10252
11	Semirigid Polyethylene Gasket	13007
12	Bin Discharge Nut	10096
13*	Overflow Pipe	13106
14	Water Outlet Nipple	10472
15	Silicone Gasket	13006
16	Slide Keep Plate	10009
17	Sprayers Feeding Pipe	13005
18*	Pump Suction Filter	20005
20	Fittings Locking Ring	10405
21	Pump Suction/Delivery Pipe	13137
22	Fitting of the Pump Suction/Delivery Pipes	10404
23	Gasket for Pump Suction/Delivery Pipes	13143
26	Fixing Screw	Till s/n. 378995
27	Flags ABS Support	Current Version
28	Rod with Flags	Current Version

Rev. 9 - 26/08/2013

Ref. 1 - Ices Cube Slide

Kind of Cube	Code
18 g. (Standard)	D12001
33 g.	D12066
13 g.	D12046

Ref. 4* - Sprayers Bar Ass.

Kind of Cube	Code
18 g. (Standard)	C20028
33 g.	C20530
13 g.	C20289

Parts for Air Cooled Version Only

Ref.	Spare Description	Code
19	Discharges Manifold	C10006

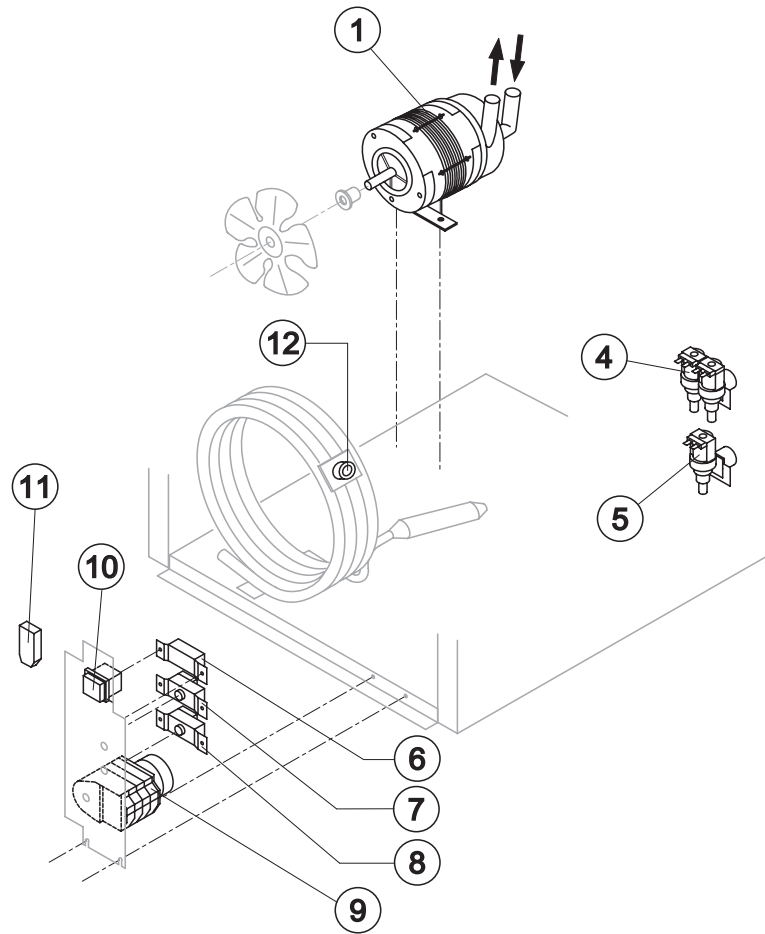
Parts for Water Cooled Version Only

Ref.	Spare Description	Code
19	Discharges Manifold	C26452



CB 249

ELECTRIC PARTS



Common Parts

Ref.	Spare Description	Code
1*	Pump Assy	See Table
7*	Bin Thermostat	R23005
8*	Evaporator Thermostat	R23591
9*	Timer	See Table
10*	Green Light Switch (On-Off)	23327

Parts for Air Cooled Version Only

Ref.	Spare Description	Code
5*	1 Way- Water Inlet Valve	See Table

Parts for Wayer Cooled Version Only

Ref.	Spare Description	Code
4*	2 Ways Water Inlet Valve	See Table
6*	Condenser Pressure Switch	See Table
11	Anti Radio Interference Filter	Only T11
12*	Safety Thermostat	C23114

Rev. 9 - 26/08/2013

Ref. 1* - Pump Assy

Voltage	Code
T11	C23377
T12	C23377
T13	C23663
T19	C23663

Ref. 4*-2 Ways- Water Inlet Valve Ref. 5* - 1 Way- Water Inlet

Voltage	Code
T11	23542
T12	23542
T13	23592
T19	23592

Voltage	Code
T11	23497
T12	23497
T13	23499
T19	23499

Ref. 6* - Cond. Pressure

Voltage	Code
T11	23175
T12	23175
T13	23175
T19	23680

Ref. 9* - Timer

Voltage	18g Cube	33g Cube	13g Cube
T11	23222	23248	23247
T12	231078	231080	231077
T13	23259	23786	23258
T19	23259	23786	23258