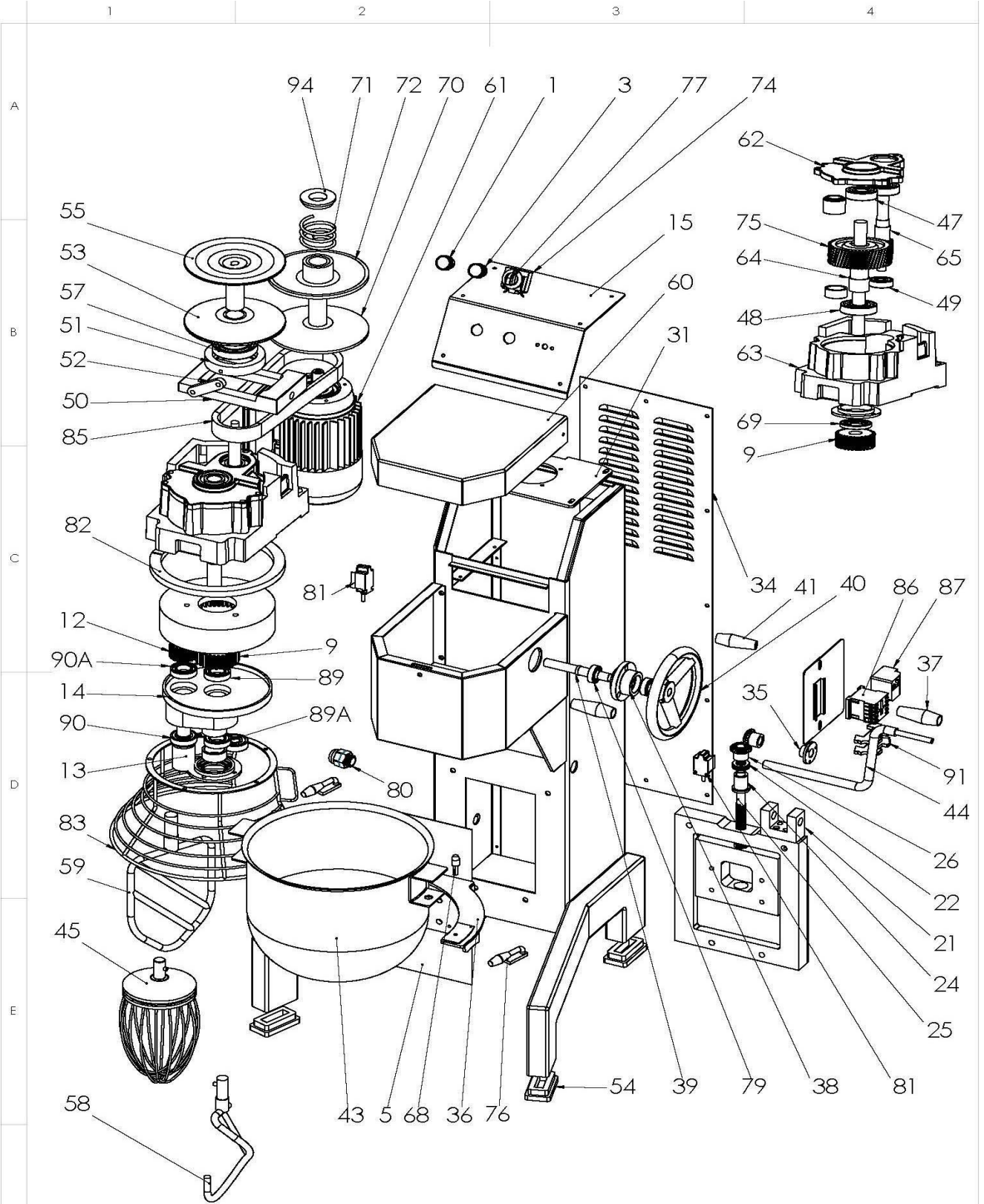




SPARE PART LIST

Spare Part ItemCode	Item name.	PictureId	Price.	Curr.
6232.00010.31	BUTTON STOP AA42 SMCX	1		
6261.00017.07	POLIAMID GEAR	12		
2KLP.460.40050213.9.01	FIXING SHAFT FOR OM40-60 MIXING APARATUS Q50x213mm	13		
2810.00040.46	EGZANTRIK GEAR PROECTION,	14		
2810.60600.00	TOP COVER FOR OMG60	15		
6261.40060.07	GG-26 CAST IRON "U" PART FOR OM40-60	21		
6211.00390.00	BEARING 51104,	22		
2KLP.460.40040050.9.01	BRONZE NUT FOR OM40-60 (Q40x50mm)	24		
2KLP.460.40040051.9.01	WORM GEAR FOR OM40-60 (Q24x285mm)	25		
6261.00018.42	BEVEL GEAR FOR OM40-60	26		
6232.00010.32	BUTTON START AA31 SMCX	3		
2KLP.460.40045021.9.01	BOWL LIFTING ARM GUIDE BEARING Q50x21MM FOR OM40-60	35		
2810.00040.24	BOWL ARM FOR OM40-60	36		
6261.00027.02	BAKALITE PART (CYCLINDIRICAL, N:3 M10)	37		
2810.40400.27	SPEED ADJUSTMENT BEARING OF GEARBOX FOR OM40-60	38		
2KLP.460.00200147.9.01	SPEED ADJUSTMENT SHAFT OF GEARBOX FOR OM40-60	39		
2810.40400.30	Cycle Adjustment Lever,	40		
6261.00028.78	Cycle Adjustment Propeller,	41		
2810.00060.06	BOWL FOR OM 60,	43		
2810.00060.59	ARM FOR OM60	44		
2810.00060.17	BEATING TOOL FOR OM60	45		
6211.00243.00	BEARING 6305 2 RS C0	47		
6211.00223.01	BEARING 6207 2 RS C0	48		
6211.00241.00	BEARING 6303 2RS	49		
2810.00060.04	ARM PLATE FOR OM60	5		
2810.40400.13	SPEED ADJUSTMENT GUIDE OF GEARBOX FOR OM40-60	50		
2KLP.460.01070020.9.01	Cycle Roller Bearing	51		
2810.560.20200.12	SPEED ADJUSTMENT GUIDE PLATE OF GEARBOX FOR OM20-40-60LT	52		
2810.40400.10	Mid Variator Rotor Lower,	53		
6261.00011.02	PLASTIC PART OF OM40 MIXER BASE	54		
2810.40400.09	Mid Variator Rotor Upper,	55		
6211.00215.01	BEARING 6010,	57		
2810.00060.13	KNEADING TOOL FOR OM 60S	58		
2810.00060.14	PALETTE FOR OM60	59		
2810.60600.05	TOP COVER FOR OM60	60		
6252.00000.51	MOTOR 1,5 KW 915D/D THREEPHASE 50 Hz B14 FLANGED VOLT	61		
2KLP.460.00014042.9.01	BOWL FIXING PIN Q14x42mm	68		
2810.60600.33	MOTOR VARIATOR LOWER PULLEY FOR OMG60	70		
6261.00026.03	SPRING OUT:Q67 INNER DIA:Q55 WIRE:Q6 LENGTH:105 REVOLUTION: 6	71		
2810.60600.34	MOTOR VARIATOR UPPER PULLEY FOR OMG60	72		
2810.00040.19	BOWL LOCK FOR OM40-60	76		
6211.00207.00	BEARING 6003 ZZ C0	79		
6259.00003.044	COUPLING PG16	80		
6232.00006.00	SWITCH	81		
6261.00013.27	SAFETY CAGE CIRCULAR PART FOR OM40-60	82		
2810.60600.60	CAGE FOR OM60	83		
6263.00003.02	VARIATOR BELT 32*10*1025 VARIBELT	85		
6230.00014.12	MINI CONTACTOR DILEEM-10 XTMC6A10 3KW MOELLER	86		
6233.00016.13	THERMIC RELAY 4-6 (ZE-6) MOELLER(MINI)	87		
6211.00209.00	BEARING 6006,	89		
6211.00221.00	BEARING 6205 2RS C0	89A		
6261.00018.54	SPUR GEAR FOR OM40-60LT	9		
6211.00209.03	BEARING 6006 2RS C3	90		
6211.00221.01	BEARING 6205,	90A		
6248.00009.00	TERMINAL STRIPS WGT-4 (EARTH)	91		
2KLP.460.00630013.9.01	KALIPHANE UR- MIKSER 60 LT SANZUMAN BASKI YAY PULU	94		
6260.00065.00	COVER KNOB	HND6		
6259.00002.06	TIMER KNOB	KB3		
6259.00002.05	TIMER 0-90 MIN	TCK1		
6248.00022.00	RAIL FOR TERMINAL ST	TRN1		



F	R&D	İSİM	İMZA	TARİH	MATERIAL	TOLERANS	PARÇA ADI:
	ÇİZEN	A.YILMAZ		12.02.2016		DIN 7168 ORTA	MİKSER 60 LT TRIFAZE CE SANZUMANLI 0810.00060.03
	KONTROL	M.HACI		12.02.2016			
	ONAY	M.HACI		12.02.2016	KALINLIK	REVİZYON	
					AĞIRLIK (gr.)	ÖLÇEK	T.RESİM NO