



Specifications of Product: * Lower drive, * Safety vent * Lower side with the heater. * CE certified, * The meat and the heaters position can be adjust with moving the body. * Burners operate independently. *The electric motor rotates the meat to left and right position with 1 rpm. * Electric motor power is 3,7 W * The burners are positioned minimum and maximum

Standart Accessory: * Shish
 Number of Standart Access 7 Disc
 Optional Accessory: * Side Heat Routing Sheet (right / left)
 Number of Optional Access 3 Manuel Rotater Apparatus



Cumhuriyet Mah.Hadımköy Yolu Caddesi No:8 1Nolu Ba ımsız B
Büyükçekmece stanbul VD: BüyükMükellefler VKN: 7080013433

Phone.: 00 90 212 8867800

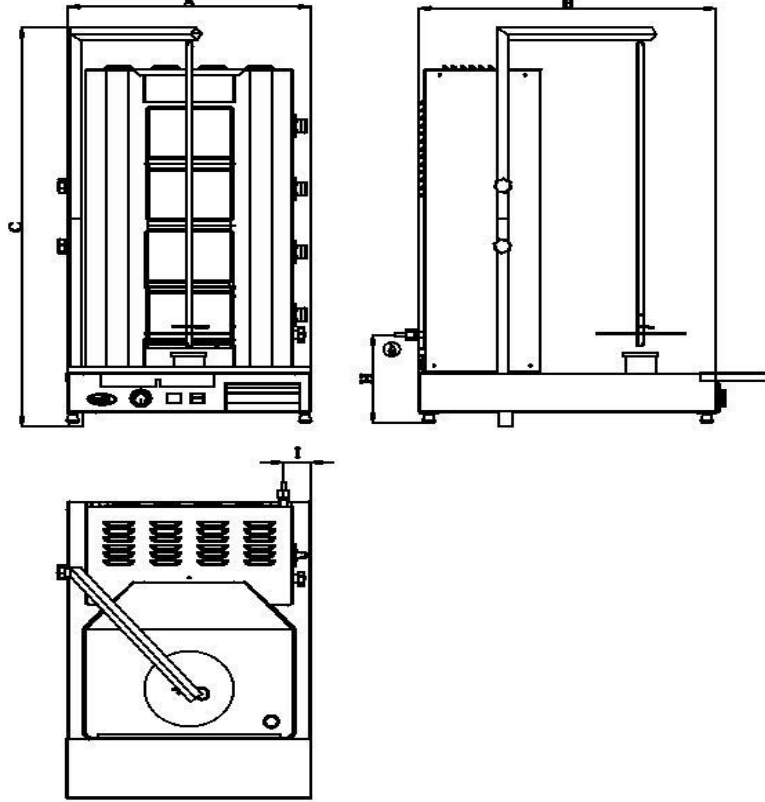
Fax No: 00 90 212 8867809

Product Dimensions

Length of Product (mm): 1070
Width of Product (mm): 530
Height of Product (mm) H .: 650
Net Weight (Kg): 35,15
Volume of Product (m3): 0,37
Capacity: 80 kg

Package Dimensions

Volume of Package (m3) 0,30
Product Number in Pack: 1



Electrical Specifications

Electrical Power (kW): 0,48 kw
 Volt (Monophase/Triphase): 220 V NPE
 Electrical Frequency (Hz) ..: 50 Hz

Gas Specifications

LPG Gas Type.....: 30 / 50
 LPG Power (kW).....: 13 kw
 LPG Inlet Diameter (Inch).....: 1/2"
 LPG Nominal Pressure (mbar) ..: 30/ 50 mbar
 LPG Consumption (Kg/h).....: 1,0230 kg/h

Gas Type

Naturel Gas Type.....: NPG
 Naturel Gas Power (kW).....: 13 kw
 Naturel Gas Inlet Diameter (Inch) 1/2"
 Naturel Gas Nominal Pressure (r 20 mbar
 Naturel Gas Consumption (m3/h) 1,3750 m3/h

OZTIRYAKILER MADENI ESYA SAN. VE TIC. A.S.



Cumhuriyet Mah.Hadımköy Yolu Caddesi No:8 1Nolu Ba ımsız B
Büyükçekmece stanbul VD: BüyükMükellefler VKN: 7080013433

Phone.: 00 90 212 8867800

Fax No: 00 90 212 8867809

Other Technical Specification: