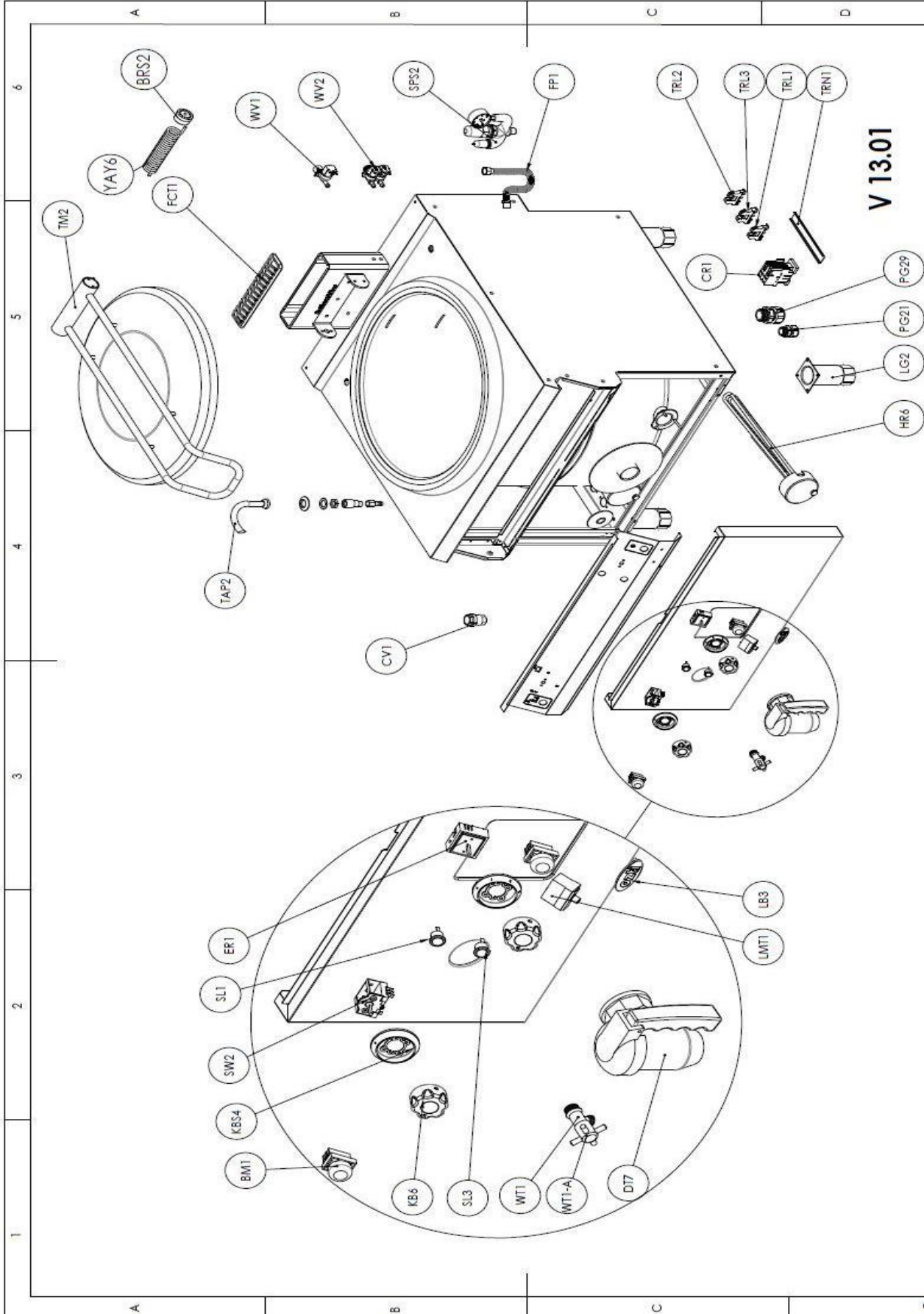




SPARE PART LIST

Spare Part ItemCode	Item name.	PictureId	Price.	Curr.
6232.00012.08	Moeller Button Top DR-G	BM1		
2KLP.460.626000100.08	SPRING BALANCER-12-BRASS FOR LID LIFTING MECHANISM OF BOILING PANS	BRS2		
6230.00014.32	CONTACTOR 25-10 220V AC MOELLER 11 KW	CR1		
6222.00027.12	RATCHET VALVE 1/2 BRASS AGA	CV1		
6222.00006.43	DRAIN TAP 2" LIVA	DT7		
6234.00001.110	ENERJI REGULATORU METAL SAFTLI 240 V (50.87071.012/01)	ER1		
6260.00058.96	FLUE COVER CAST IRON WITH CERAMIC ENAMEL COATED FOR ALL 700&900	FCT1		
6267.00019.03	FLEXIBLE GAS PIPE FOR INDIRECT BOILING PANS R1/2" x 300 mm L	FP1		
9099.01000.06	HEATING ELEMENT 9000 W IRCA INCOLAY 800 (1080-1500-2000 BOILER)	HR6		
6260.00015.63C	DUGME METAL INSERTSUZ-KROM KAPLI	KBS4		
6260.OKBASKI.55CS	KNOB METAL CHROME COATED	KBS4		
6260.00015.600	METAL BUTTON PLASTIC HUB	KBS4		
2179.09028.01	LABEL FOR FRONT PANEL "ÖZT RYAK LER"	LB3		
6260.00002.10	STAINLESS STEEL LEG 130-150 MM	LG10		
6234.00001.27	SAFETY THERMOSTAT 230 C	LMT1		
6259.00003.10	CABLE GLAND PG 21	PG21		
6259.00003.13	CABLE GLAND PG 29	PG29		
6251.00004.30	SIGNAL LAMP BLACK BODY GREEN LENS NEON 100K-220V	SL1		
6251.00004.31	SIGNAL LAMP BLACK BODY RED LENS NEON 100K-220V	SL3		
6260.00151.17	BUHAR BASINÇ GÜVENL K VALF KOMPLE (ÇATAL/VALF/MANOMETRE)	SPS2		
6232.00027.02	4 POS. SELECTOR SWITCH RTH D01	SW2		
6222.00015.25	FILLING SPOUT FOR BOILING PAN	TAP2		
2855.N30.GR002.MK	60-100-150 LT LID MECHANISM GROUP	TM2		
6248.00010.01	ELECTRICAL TERMINAL (GROUNDING)	TRL1		
6248.00011.11	ELECTRICAL TERMINAL AVK 16 BEIGE	TRL2		
6248.00011.15	ELECTRICAL TERMINAL AVK 10 BLUE	TRL3		
6248.00022.00	RAIL FOR TERMINAL ST	TRN1		
6222.00009.04	WATER TAP FOR LEVELING	WT1		
6222.00009.05	KNOB FOR WATER LEVELLING TAP OF INDIRECT BOILING PANS	WT1-A		
6262.00008.00	3/4 PLASTIC VALVE	WV1		
6258.00003.00	SELENOID VALVE R3/4" SINGLE IN DOUBLE OUT 220V WITH PLASTIC FLANGE	WV2		
6205.00022.01	SPRING Ø34x180x5 mm FOR LID LIFTING MECHANISM OF BOILING PANS	YAY6		



V 13.01

öztiryakiler

TOLERANIS

MATERIAL

TARİH

İMZA

İSİM

R&D

ÇİZEN

KONTROL

ONAY

AĞIRLIK(Gr.)

TÜM ÖLÇÜLER mm ÇİŞİNDİRİDİR

REVİZYON

1

DIN 7168

ORTA

29.11.2012

29.11.2012

29.11.2012

EBAŞTUĞ

M-HACI

M-HACI

96293.13

KALINLIK

1

1

1

PARÇA ADI: YENİ 100 LT ELEKTRİKLİ İNDİREKT TENGERE

ÖTEI 100 patlamış

ARGE
KONTROLLÜ KOPYA