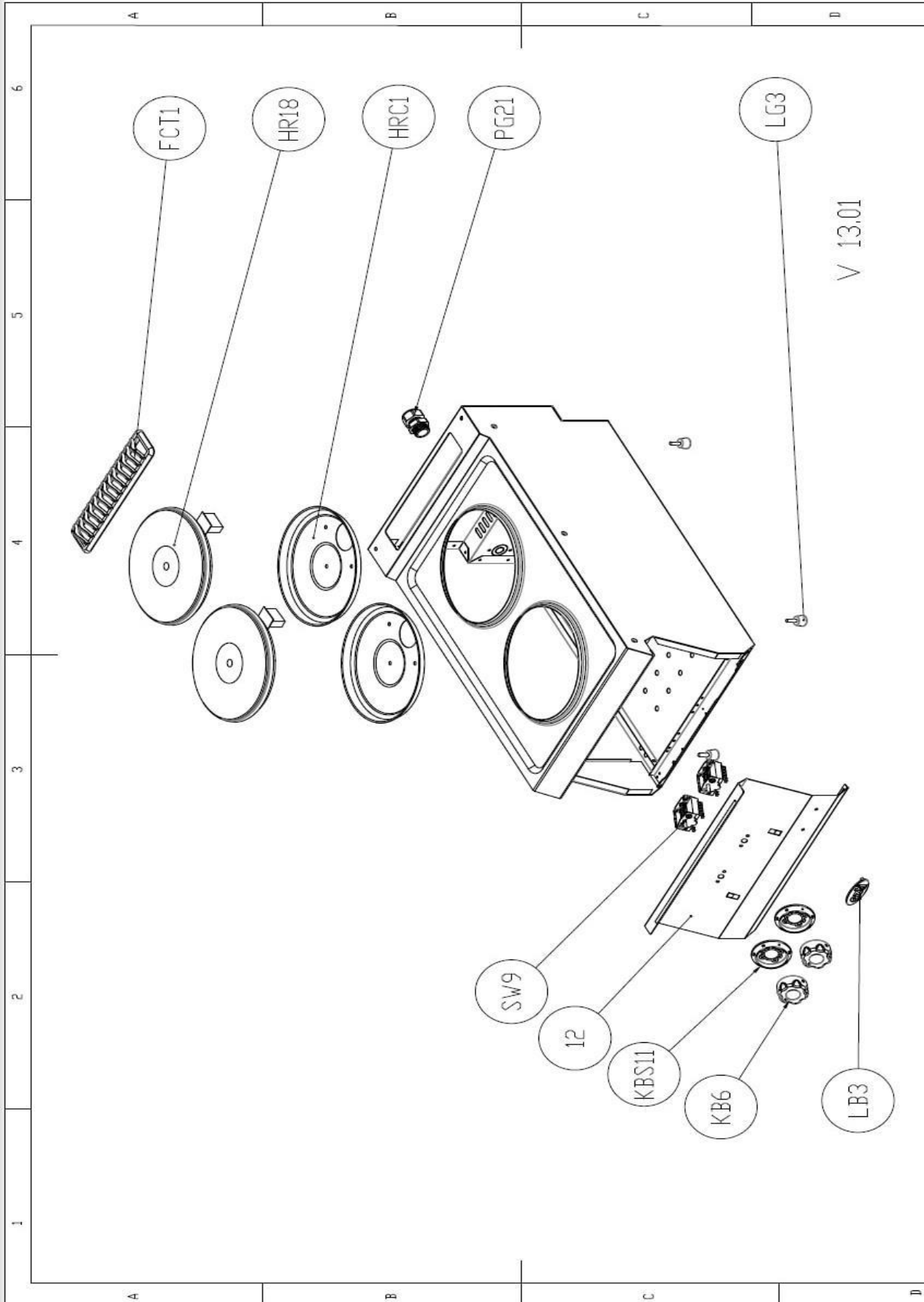




## SPARE PART LIST

Spare Part ItemCode	Item name.	PictureId	Price.	Curr.
2865.N20.04000290.4.10	FRONT PANEL FOR 40'S ELECTRICAL COOKER	12		
6260.00058.96	FLUE COVER CAST IRON WITH CERAMIC ENAMEL COATED FOR ALL 700&900	FCT1		
6246.00013.02	HOT PLATE 2,6 Kw 230 V ROUND SHAPE	HR18		
2179.02302.01	COVER LID Ø235x22mm FOR ROUND SHAPE HOT PLATE GALVANISED	HRC1		
6260.00015.45	THERMOPLASTIC KNOB MAIN BODY WITH 6 mm INSERT	KB6		
6260.00015.30	THERMOPLASTIC KNOB SCALE 90-450 C	KBS11		
2179.09028.01	LABEL FOR FRONT PANEL "ÖZT RYAK LER"	LB3		
6260.00002.05	ADJUSTABLE LEG M6	LG3		
6259.00003.10	CABLE GLAND PG 21	PG21		
6254.00005.01	5 POLE SWITCH FOR 700 SERIES HOT PLATES	SW9		
6248.00016.01	TERMINAL PORCELAIN NO_2	TP1		



TOLERANS		MATERIAL		TAKVİM		TAKZA		TSM		AYTELİK(gp-)		RESİM ÜZERİNDEN ALÇD ALMAYINIZ I	
DIN 7168 ORTA				22.12.2012				1337064		KALINLIK		TMM BÜÇÜLER İM ÇİNSİNDİR	
PARÇA ADI		REVİZYON		MHAÇ		MHAÇ		MHAÇ		1		ARGE KONTROLLÜ KOPYA	
İKİLİ ELEKTRİKİLİ OCAK				22.12.2012		22.12.2012		22.12.2012				TMM BÜÇÜLER İM ÇİNSİNDİR	
TRESİM NO		ALÇEK		JG0		REVİZYON		MHAÇ		1		OSOE 4070 patlamış	