



ÖZTİRYAKİLER

Cumhuriyet Mah.Hadımköy Yolu Cad.No:8

Büyükkçekmece-İstanbul-TURKEY

e-mail: export@oztiryakiler.com.tr

web: www.oztiryakiler.com.tr

code:

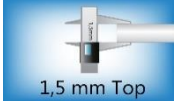
7865.N1.40703.33LP

700 SERIE

HALF MODULE TWO BURNERS GAS BOILING TOP

model:

OSOG 4070 LP



1,5 mm Top



Flush Top



Heavy Duty



Easy Maintenance



Efficiency



Hygiene

700 SERIE MAIN FEATURES

- * 1,5 mm thick AISI 304 stainless steel laser cut top
- * Flush top setting with secure fixing screws
- * 3 installation options; standalone(fixed on a base w/ or w/o door), cantilever or on concrete plinth
- * Installation gap behind the equipment for plumbing & electrical connections
- * Gas appliances supplied for use with natural or LPG gas, conversion jets supplied as standard.
- * Easy access from front panel to all major components for maintenance
- * Modular system for flexibility

CONSTRUCTION

- * All stainless steel construction to avoid any infiltration
- * Top, sides, back, front panels and control consoles in stainless steel with satin scotch-brite finish
- * Top modules with 20 mm adjustable feet

OPEN BURNERS

- * The one 6 kW and 7,5 kW high efficiency cast iron burners are available to suit high performing cooking requirements of customers
- * Burner are rated 6 kW with power regulation from 2 to 6 max. power
- * Burner are rated 7,5 kW with power regulation from 2,5 to 7,5 max. power
- * Each open burner equipped with flame failure device to make usage comfortable and safety
- * Each open burner has a pan support made from cast iron.
- * Burners with optimised combustion

OPTIONS

- * Electric Ignition

ACCESSORIES

- * Flame reducer. 1 Pcs.

STANDARDS & CERTIFICATES

- * EN 203-1 European Standard relating to the safety of gas appliances
- * EN 203-2-1 European Standard relating to the safety of gas appliances



**ÖZTİRYAKİLER**

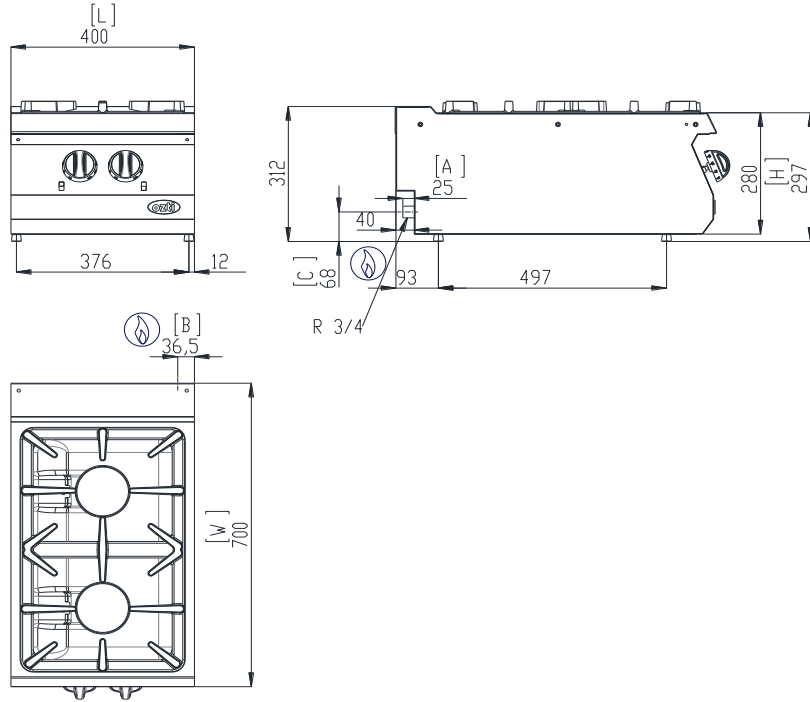
Cumhuriyet Mah.Hadımköy Yolu Cad.No:8

Büyükcemece-İstanbul-TURKEY

e-mail: export@oztiryakiler.com.tr

web: www.oztiryakiler.com.tr

code: 7865.N1.40703.33 LP	700 SERIE HALF MODULE TWO BURNERS GAS BOILING TOP	model: OSOG 4070 LP
-------------------------------------	--	-------------------------------

**DIMENSIONS (Net)****DIMENSIONS (Shipping)**

* Width (mm)	400	* Width (mm)	
* Depth (mm)	700	* Depth (mm)	
* Height (mm)	280	* Height (mm)	
* Weight (kg)	27	* Weight (kg)	
*		* Volume (m ³)	

COMPOSITION OF TOP

* Front burner	6 kW	1 Pcs.
* Rear burner	7,5 kW	1 Pcs.

**GAS**

* Power:	13,5	kW	46062	Btu/hr	11610	kcal	Gas Inlet:	3/4"
* G20	Natural Gas	Pressure:	20		1,43	m ³ /h		
* G30/G31	LPG Gas	Pressure:	28-30/37	mbar		kg/h		
* G30	LPG Gas	Pressure:	50		1,05			

**ELECTRICITY**

* Power:	kW
* Supply Voltage:	
* Protection Class:	IP

**WATER-IN**

* Cold Water Inlet:	Pressure (min-max)	bar	kPa	Temperature (min-max)	°C
* Hot Water Inlet:					
* Hardness:	F				

**DRAIN**

*	
*	