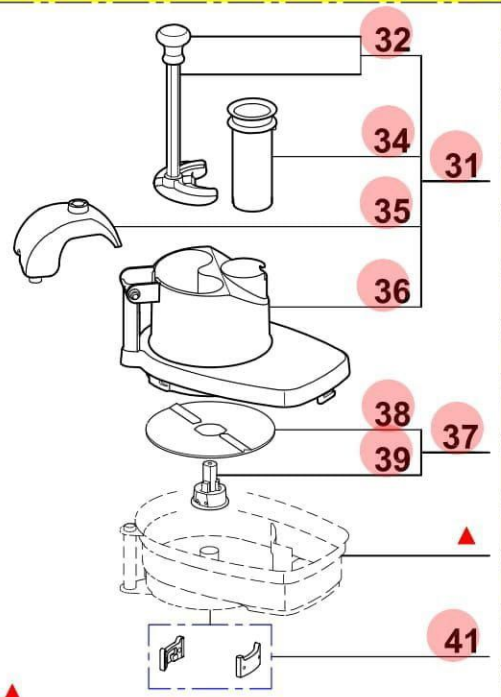
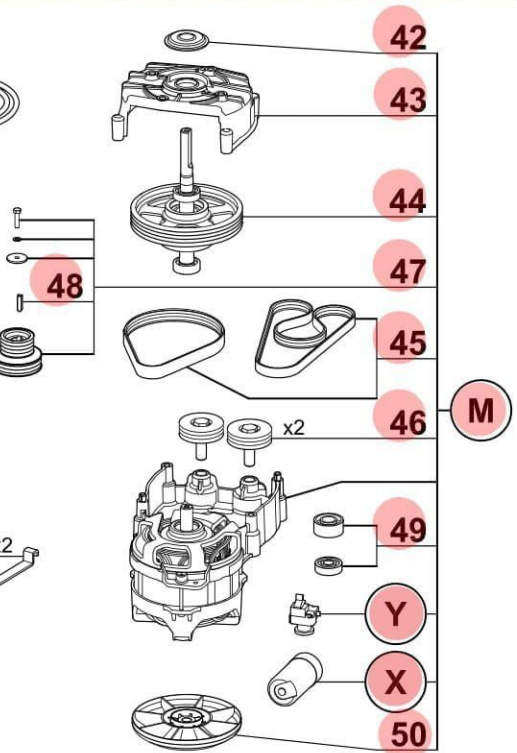
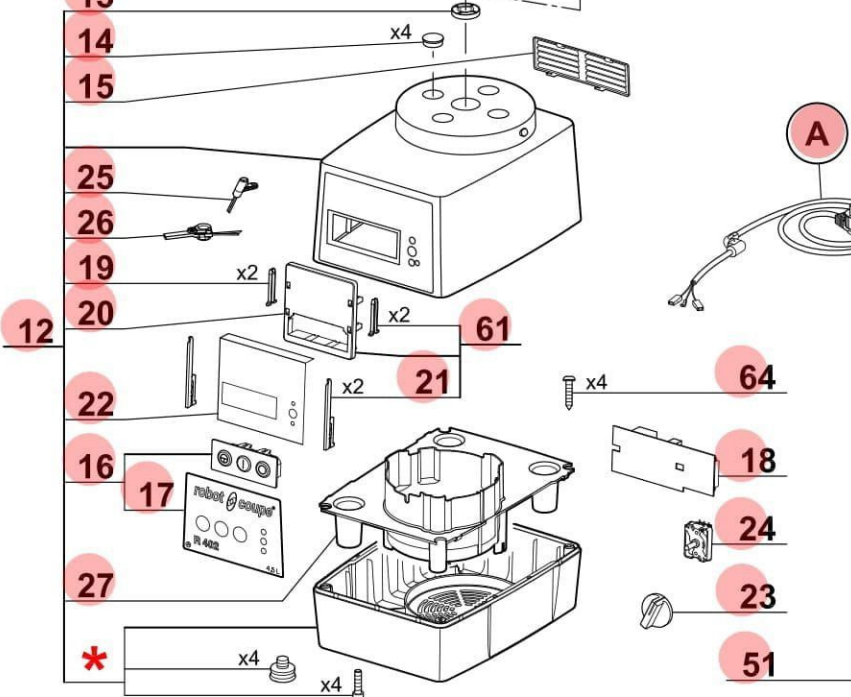


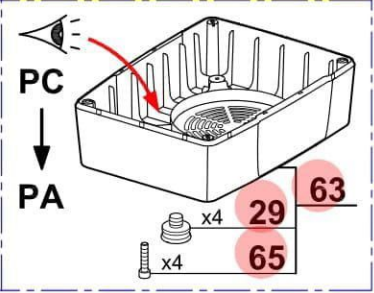
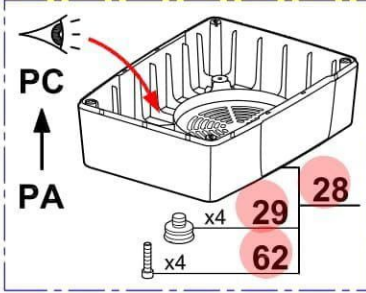
**Pour ancienne cuve  
 For old bowl**



▲ Cette cuve n'est plus disponible.  
 Commander l'index 30, vous recevrez le  
 nouveau coupe-légumes complet.  
 This bowl is no more available.  
 Order item 30, you will receive the  
 complete new vegetable slicer attachment.



**\* N° de série / Serial number**  
 416 / 657                      798 / 899



**ATTENTION :** Le kit repère 51 est indispensable  
 pour toute intervention sur la transmission (M)  
**WARNING :** The set item 51 is essential for any  
 intervention on the driving unit assembly (M)

<b>Index PDF</b>	<b>Référence</b>	<b>Designation commerciale</b>
A	39699	POWER CORD
M	39938	DRIV. UNIT R402A 230/50/1
X	600018S	CAPACITOR 60µF 250V
Y	500289S	MOTOR RELAY
1	27342	S/STEEL CUTTER ATTACHMENT
2	39741	CUTTER LID ASSEMBLY
3	39740	LID SEAL ASSEMBLY
4	27344	STRAIGHT BL KNIFE
5	104147	BLADE CAP
6	39742	CUTTER BOWL ASSEMBLY
7	39744	BOWL HANDLE ASSEMBLY
8	39743	SAFETY ROD ASSEMBLY
9	39745	LOCKING WASHER ASSEMBLY
10	27346	COARSE SERRATED BL KNIFE
11	27345	FINE SERRATED BL KNIFE
12	59613	MOTOR SUPPORT ASSEMBLY R402A /1
13	501010S	SHAFT SEAL
14	59453	SCREW CAP ASSEMBLY (X4)
15	104122S	R401 VENT COVER
16	39764	SWITCH PANEL ASSEMBLY
17	39765	FRONT PLATE
18	39943	CONTROL BOARD R402A 1PHAS
19	<del>102913S</del> 59195	FACEPLATE KEY
20	102911	PCB SUPPORT
21	117703S	PCB LOCKING KEY (X2)

22	104131	PCB PROTECT
23	117805	SPEED SELECTOR HANDLE
24	117792	COMMUTATOR
25	39944	VEG SAFE SWITCH R402A 1PH
26	39945	CUT SAFE SWITCH R402A 1PH
27	39946	BAFFLE ASSEMBLY
28	39112	BASE ASSEMBLY
29	39928	FEET (X4)
30	27700	[Spare parts translation not found]
31	117079S	VEGETABLE SLICER LID R302/R402
32	29324	PUSHER ASSEMBLY
34	102022S	CAROT PUSHER
35	102020S	PUSHER GUIDE
36	<del>102016S</del> 39235	VEGETABLE SLICER LID
37	102019	SLING PLATE
38	117092S	Slinger Plate (Reversible)
39	117091S	SLING PLATE HUB
41	29081	LOCKING PLATE ASSEMBLY
42	39961	SHAFT DEFLECTOR R402A-1PH
43	39947	DRIV. UNIT LID R402A-1PH
44	39948	TRANS SHAFT ASSEMBLY R402A-1P
45	39949	BELT ASSEMBLY
46	39952	WHEELS ASSEMBLY R402A-1PHASE
47	39950	PULLEY ASSEMBLY R402A-1PHASE
48	39951	MOTOR SHAFT KEY R402A-1PH
49	39953	MOTOR BALL BEARING KIT

50	118512S	MOTOR FAN
51	39962	BELT MOUNTING KIT
52	49033	VEG PREP LID ASSEMBLY
53	29880	VEG. PUSHER ASSEMBLY
54	117452S	HANDLE PUSHER CL50E/GOUR
55	118324S	CL50D ROUND PUSHER
56	49036	PUSHER GUIDE
57	49037	VEG. SLICER LID
58	104964S	[Spare parts translation not found]
59	49034	VEG. SLICER BOWL
60	49035	LOCKING WASHER ASSEMBLY
61	59545	SUPPORT ASSEMBLY PCB+WEDGE
62	59619	PC BASE SCREWS ASSY CHC M5X20
63	59560	BASE ASSEMBLY PA R402
64	59546	SCREW ASSEMBLY 3,9X19 TORX
65	59558	SCREW ASSEMBLY CHC M5X20 TRILOB GALVANIZED STEEL