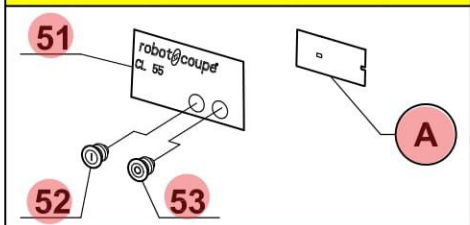
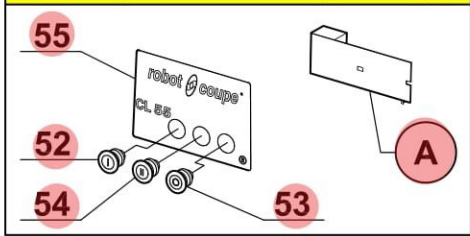


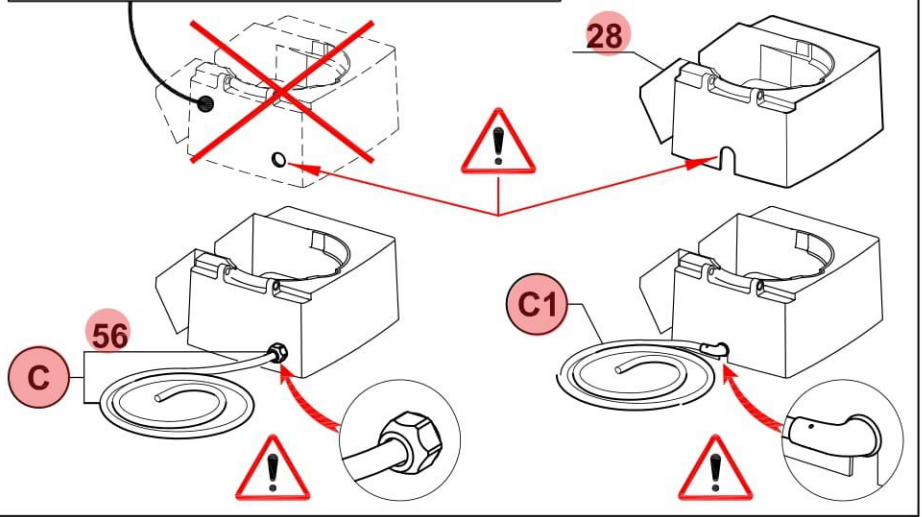
Pour modèle 1 vitesse (2 boutons).
For 1 speed model (2 knobs).



Pour modèle 2 vitesses "2V" (3 boutons).
For 2 speeds model "2V" (3 knobs).



* N'est plus disponible : commander 28 et C1.
No longer available : order 28 and C1.



50	117703S	PCB LOCKING KEY (X2)
51	403996	FRONT PLATE CL55E
52	502170S	I BUTTON
53	502169S	STOP BUTTON
54	503268S	ASS BUTTON II
55	403992	FRONT PLATE CL55E 2 SPEEDS
56	507343S	STRAIN RELIEF
57	29156	FEEDING CONE ASSEMBLY
58	29530	MOTOR PULLEY ASSEMBLY
59	106268S	MOTOR UP BEARING+FLANGE
61	501270S	BEARING
62	502768S	MOTOR PIN 4X4X16

Index PDF	Référence	Designation commerciale	Tarif
A	106250S	PCB CL50E 2SP /3	
C	39141	POWER CORD	
C1	39314	POWER CORD	
D	39286	FAN ASSEMBLY	
M	303250S	[Spare parts translation not found]	
1	28170	BULK FEED	
2	101589	AUTO FEED HEAD CRANK	
3	117777	AGITATOR	
4	117200S	[Spare parts translation not found]	
5	29501	CLINCH CLIP D ASSEMBLY	
6	39705	SHOULDERED RING X2	
7	39673	COMPLETE LID ASSEMBLY	
8	39661	HANDLE CL52E	
9	39663	CL52E PUSHER ABUTMENT	
10	39672	CL52E RING OF SLIDING	
11	39664	SHOULDERED RINGS (Qty=2)	
12	39665	BACK TIEROD	
13	39666	CL52E AXLE 8x40	
14	39667	AXLE 8x50	
15	39668	CL52E PUSHER GUIDE ASSEMBLY	
16	49221	EXACTITUBE CL52-CL55-CL60-R652	
17	39671	CL52E MAGNET HOLDER ASSEMBLY	
18	39669	CL52E VEGETABLE PUSHER ASSEMBLY	
19	39660	CL52E REMOVABLE WALL	
20	39670	CL52E SHOULDERED RINGS 18x25 (Qty=2)	
21	29706	PUSHER STOP ASSEMBLY	

22	117321	PUSHER GUIDE BUSHING x2
23	29692	GROOVER ASSEMBLY
25	29501	CLINCH CLIP D ASSEMBLY
26	118420S	CABBAGE EJECTING PLATE
27	49527	GOUGE WRENCH R502G-R502VVG-R752-R752VV
28	39706	BOWL ASSEMBLY AFS
29	29061	LOCKING ROD ASSEMBLY
30	117791	S. STEEL BASE COVER
31	117687	BOTTOM PLATE
32	39276	GREY FEET ASSEMBLY D 30 (X4)
33	507341S	BELT HTD 450-5MX15
34	39674	TRANSMISSION SUPPORT ASSEMBLY
35	105529S	DRIVEN PULLEY
36	510218S	ELASTIC SLEEVE
37	105531S	TRANSMISSION SUPPORT
38	39675	TRANSMISSION SHAFT ASSEMBLY
39	110308S	MOTOR SHAFT PIN
40	203015S	KEY 6X6X20
41	101547	DEFLECTOR
42	501678S	SEALING RING 25X42X7
43	39709	BALL BEARING ASSEMBLY
44	203068S	CIRCLIPS EXT 25 SAV
45	510217S	BEARING 6004 2RS
46	203206S	CIRCLIPS INT 42
47	102690S	SLING PLATE
48	129451S	SAFETY SWITCH 87-53 1A66 CUTTER
49	29533	PCB SUPPORT ASSEMBLY