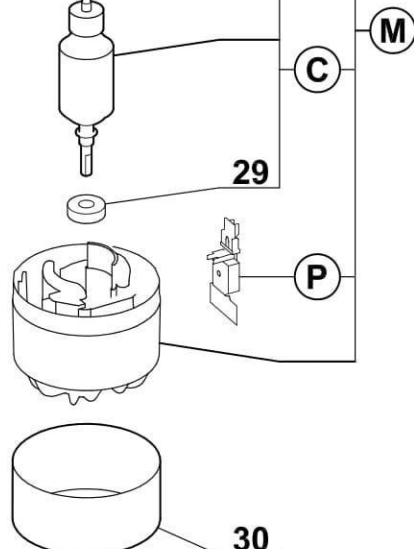
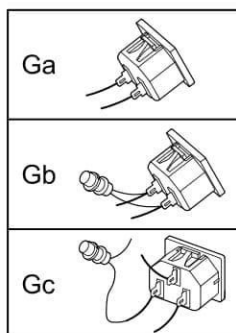


G Indique un choix à faire selon **XXX**.
H Indicates a choice to be made according to **XXX**.

XXX	G	H
646	Ga	Ha
729	Ga	Hb
757 (BRAZIL)	Gb	Ha
757	Gb	
768	Ga	
839	Ga	
885	Gc	



Index PDF	Reference	Designation commerciale
A	89136	POWER CORD
B	89146	MP600 PCB 230V
C	89976	INDUCED CIRC
D	89535	BRUSH ASSEMBLY(x2)
E	89425	MP 230V ELECT WIRING
Ga	89148	CONNECTOR
Gb	89276	CONNECTOR INDICATOR LIGHT MP 230V
Ha	89145	HANDLES MP (L+R)+SCREW+ SCREW CAP
M	89043	MOTOR
1	39346	COMPLETE FOOT ASSEMBLY
2	39348	FOOT ASSEMBLY
3	89619	FOOT SPRING
4	39349	DRIVING SHAFT ASSEMBLY
5	39334	FOOT RING
6	89624	STAINL ST DRIVING FRAME
7	89628	MP/CMP FOOT SEAL
8	39344	STAINLESS STEEL BELL ASSEMBLY
9	39345	BLADE
10	89625	DRIVING HUB
11	89631	SCREWED SPACER
12	89533	WATERPROOFNESS KIT
14	89508	GRID (x2)
15	89662	DISMOUNTING TOOL
16	89629	WALL BRACKET
17	89262	POWER CORD DISASSEMBLY TOOL
18	89622	SCREW M4x60

19	89156	LOCKING ARM+SCREW+CAP SCREW KIT
20	89155	PRESENCE ARM+SCREW+CAP SCREW KIT
21	89365	MICROSWITCH
21	89530	KNOBS KIT
23	89364	COMMAND ARM KIT
24	89300	[Spare parts translation not found]
25	89620	MOTOR FERRULE
26	89573	VENTILATOR
27	89577	AIR CONDUCTOR
28	89569	VENTILATOR PIPE
29	89507	MOTOR BEARING
30	89034	HIGH FERRULE
31	27359	[Spare parts translation not found]