

# **USER MANUAL**

## **Dunavox Noble & Prime range**

### **Noble models:**

DVN-19.50B.TO;

DVN-25.65DB.TO;

DVN-44.120DB.TO;

DVN-70.185DB.TO;

### **Prime models:**

DVP-19.50B;

DVP-25.65DB;

DVP-44.120DB;

DVP-70.185DB;

Dear customer,

Thank you for buying this appliance and putting your trust in Dunavox. We have designed this product with the greatest care and hope it will be proud and long-term addition to your house. If you have any questions about your appliance, please let us know; we are happy to help you!

# 1. ABOUT THIS DOCUMENT

This manual is applicable to all Horizon and Spirit models from Dunavox. Read and understand this manual before using the product. Carefully store this manual for future reference.

***We reserve the right to change the parameters without prior notice.***

This manual is originally written in English. All other languages are translations of the original manual.

## 2. CONFORMITY

LV 2014/35/EU  
EMC 2014/30/EU  
ERP 2009/125/EC  
RoHS 2011/65/EU and (EU) 2015/863  
CB

## 3. SAFETY

### **Intended use:**

This appliance is intended for storing wines at their optimal temperature. This appliance is intended to be built in.

The appliance is intended for use in household environments for typical housekeeping functions that may also be used by non-expert users for typical housekeeping functions, such as: shops, offices other similar working environments, farmhouses, by clients in hotels, motels, and other residential type environments and/or in bed and breakfast type environments.

### **The appliance is for indoor use only.**

This appliance is intended to be used for the storage of wine.

### **Intended users:**

This appliance can be used by children aged from 8 years and above and persons with reduced physical, sensory or mental capabilities or lack of experience and knowledge if they have been given supervision or instruction concerning use of the product in a safe way and understand the hazards involved. Children shall not play with the product. Cleaning and user maintenance shall not be done by children without supervision.

## DISPOSAL OF OLD APPLIANCES

Before disposing of an old appliance remove any plugs and power leads to ensure that the appliance is inoperative.

Remove the door but leave the shelves in place to prevent children climbing inside.



This symbol on the product indicates that it must not be discarded as general household waste.

Instead, it should be handed over to the applicable collection point for the recycling of electrical and electronic equipment. Disposal must be carried out in accordance with local environmental regulations for waste disposal.

By disposing of this product correctly you will help prevent potential negative consequences for the environment and human health, which would otherwise be caused by inappropriate waste handling of this product.

**Warning:** When disposing of an old appliance make sure that the pipe work does not become damaged.

## BEFORE INSTALLING AND USING YOUR NEW APPLIANCE

**Warning:** Before powering up the appliance, please open the door for 5 minutes to ventilate the cabinet.

Read through the instructions supplied with the appliance – failure to install or use this appliance in accordance with the instruction book may invalidate any warranty.

The manufacturer does not accept any liability for damage caused through improper use, or incorrect installation.

Do not install this appliance if it has been damaged during transportation. This includes the plug and supply cord.

Please keep these instructions in a safe place for future reference.

**Note:** This appliance is intended to be used exclusively for the storage of wine.

## IMPORTANT SAFETY INSTRUCTIONS

- To prevent damage to the door and door gasket, make sure the door is fully opened before pulling out any shelves.
- Do not move the wine cooler when it is loaded with wine, you might distort the appliance.
- If the power lead becomes damaged it should only be replaced by the manufacturer or a suitably qualified person.
- Never allow children to operate, play with, or crawl inside the appliance.
- Never clean appliance parts with flammable fluids.
- Do not store or use gasoline or any other flammable vapours and liquids in the vicinity of this or any other appliance. This can create a fire hazard or explosion.
- **Warning:** Do not allow the refrigerant circuit to become damaged while using or installing the appliance. Should it become damaged, do not use the appliance until you are instructed to do so by a service engineer. Refrigerant can ignite or cause damage to the eye when leaking.
- Always remember to unplug the appliance before cleaning. When disconnecting from the electricity supply, pull the plug, not the power cord.
- Do not use anything electrical inside the Wine Cabinet.

- All electrical repairs must be carried out by a qualified service engineer. Inadequate repairs may result in a major source of danger for the user and invalidate any warranty.
- Never store anything dangerous inside the appliance, such as combustibles, explosives, strong acid or alkali etc.
- Always keep any ventilation openings clear of obstruction. Should they become blocked, clear them straight away.
- Make sure that the plug is in an accessible place when installation is complete.
- Only use this appliance for domestic purposes in accordance with these instructions.
- The wine cooler is suitable for storing wine (or other bottled beverages). It is not suitable for storing fresh or frozen foods.
- This appliance can be used by children aged from 8 years and above and persons with reduced physical, sensory or mental capabilities or lack of experience and knowledge if they have been given supervision or instruction concerning use of the appliance in a safe way and understand the hazards involved. Children shall not play with the appliance. Cleaning and user maintenance shall not be made by children without supervision.
- If the refrigerant of these appliances is R600a, Flammable and explosive articles should not be put in or near the cabinet, to avoid the fire or explode caused.



## INSTALLATION OF YOUR WINE CABINET

- Remove the exterior and interior packing.
- **Note:** Before connecting the Wine Cabinet to the power source, let it stand upright for approximately 24 hours. This will reduce the possibility of a malfunction in the cooling system from handling during transportation.
- Clean the interior surface with lukewarm water using a soft cloth.
- Install the handle on the left side of the door. **(Prime models only)**
- Place your Wine Cabinet on a floor that is strong enough to support it when it is fully loaded. To level your Wine Cabinet, adjust the front levelling foot at the bottom of the Wine Cabinet.
- Locate the Wine Cabinet away from direct sunlight and sources of heat (**oven**, stove, heater, radiator, etc.). Direct sunlight may affect the acrylic coating and heat sources may increase electrical consumption. Extreme cold ambient temperatures may also cause the unit not to perform properly.
- Avoid locating the unit in moist areas.

- The Wine Cabinet should be positioned where the ambient temperature is between 10°C and 30°C. If the ambient temperature is above or below this range, the performance of the unit may be affected. Placing the appliance in extreme cold or hot conditions may cause the interior temperatures to fluctuate. The range of setting temperatures may not be reached.
- Plug the Wine Cabinet into an appropriate socket. Should the plug require changing, use the instructions as given in the Electrical Requirements section.
- Switch off the fuse of the power outlet before connecting the appliance to the mains.
- Connect the appliance to an earthed socket.
- Switch off the fuse of the power outlet before performing maintenance.
- Do not connect the appliance to a power outlet when the power cord is damaged.
- Do not connect the appliance to a faulty power outlet.
- Keep the appliance and the power cord away from water or moisture.

**Note:** The glass door is bigger than the appliance and breaks when the appliance is put on floor without legs. Do not place the appliance directly on the floor when it is not supported by legs or external support.

**Note:** The ventilation cannot work properly when the ventilation grids are covered. The appliance can overheat. **Do not cover the ventilation grids.**

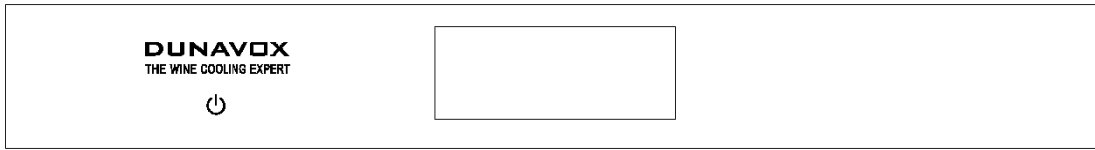
**Note:** Storing opened bottles in the appliance can cause leakage and mold in the wine cooler. Do not store bottles that have been opened.

**Note:** Always fix the appliance to the cabinet.

## OPERATING YOUR WINE COOLER

### ➤ The controls of your wine Cooler

FOR DVN-19.50; DVP-19.50



 Power ON/OFF button

The system default power ON after plug in.

Long press this button 3 seconds, will have a beeping sound, the product power OFF.

Slightly press this button, will have a beeping sound, the product power ON.

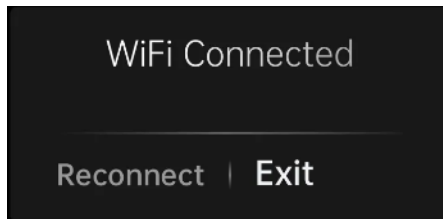
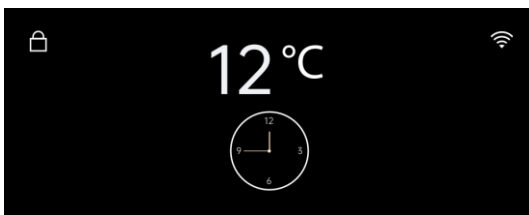
#### 1. Language selection menu







First power up, the screen displays the language selection menu (English, Spanish, Italian, French, German, Dutch, Hungarian, Polish, Slovenian). Selected language will be saved and memorized e.g. unit should remember for the choice after a power breakout), after selecting the language, the screen will enter the homepage.

#### 2. Homepage (Lock, WIFI)


Standby homepage (Screen will switch to homepage after 5 seconds of inactivity).



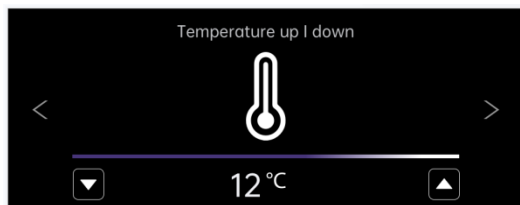
##### ① Lock button:



In normal mode (non-fault), the system default unlock after power on product. Touch the  button on the upper left of the screen for 3 seconds, will have a beeping sound, the system enter lock mode to lock control panel and the lock button switch to , the system will have no action when touch the screen under lock mode. Touch the  button for 3 seconds, will have a beeping sound, the control panel unlock and the lock button switch to .

In fault mode (code or alarm), automatic unlocking.

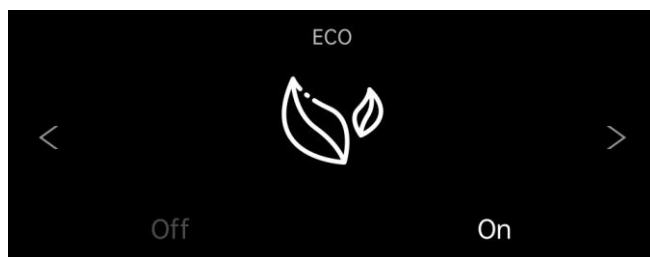
② WIFI button: Touch the  button, the system will enter the wireless network connection page. (more details please refer to the below WIFI connection steps)

3. Temperature setting page(Slide the screen to the left side once to enter this page)



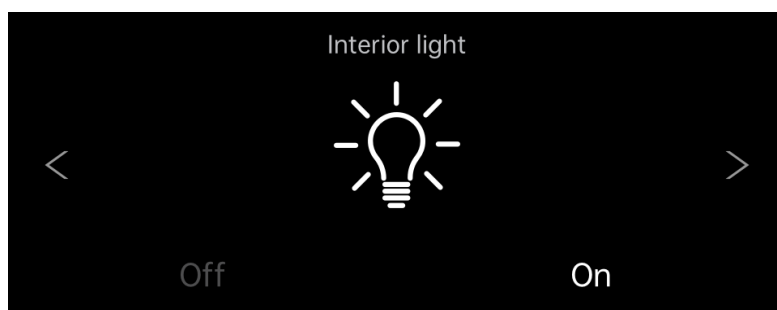
Touch the  button to decrease the temperature by one (1) degree increments. Touch the  button to increase the temperature by one (1) degree increments.  
Temperature control range :5-18°C.  
Factory default setting temperature: 12°C

4. ECO mode setting page(Slide the screen to the left side twice to enter this page)



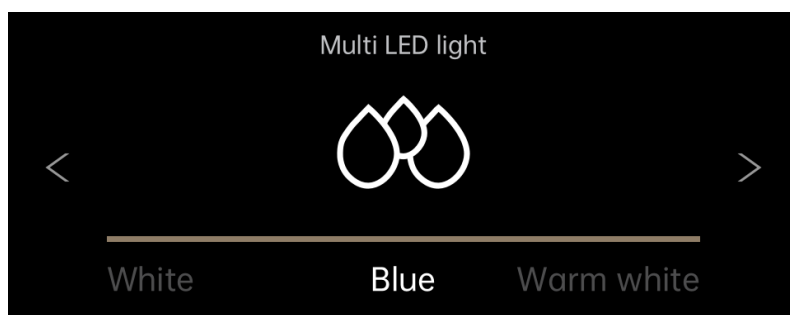
Touch the “ Off ” button, exit the ECO mode,the light will constant bright, the screen will go dark completely after door is closed 10 seconds;  
Touch the “On” button, enter the ECO mode, the light will go off and the screen will go dark completely after door is closed 10 seconds.

5.Light mode setting page(Slide the screen to the left side three times to enter this page)



Touch the “On” button, the light will constant bright; touch the “Off” button, the light will on when the door is opened and will off when the door is closed.  
In the ECO mode, the light will not on when touch the “On”button.

6.Light color setting page(Slide the screen to the left side four times to enter this page)



There are 3 light color can select, “White” “Blue” “Warm white”, please touch the corresponding

button to select the light color.( In the ECO mode, the light color can not be changed).

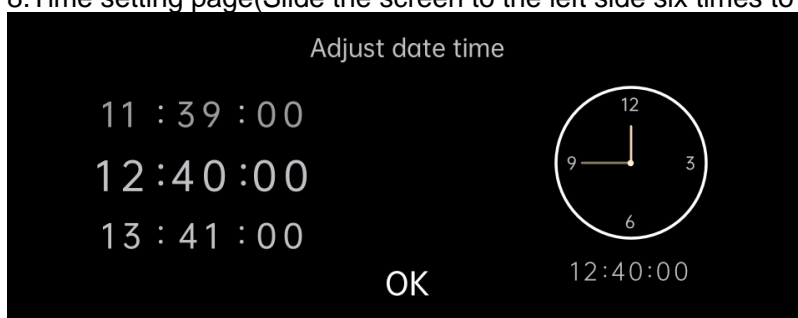
7.Restore the factory default settings(Slide the screen to the left side five times to enter this page)



Touch "NO", all the settings unchanged.

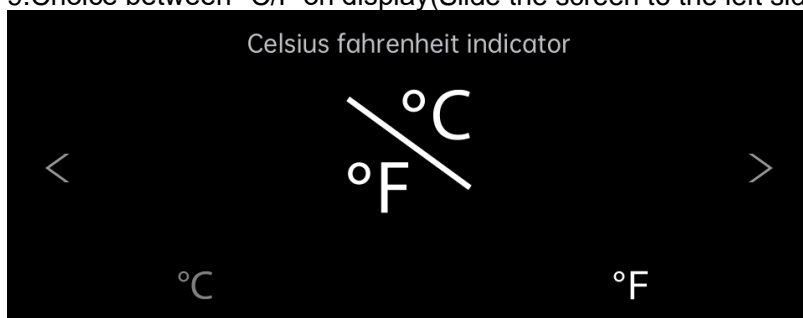
Touch "YES", restore the factory default settings,the interface will switch to the language selection menu

8.Time setting page(Slide the screen to the left side six times to enter this page)



Scroll up and down in the digital area to set the time,it can set the hour/minute/second, after the setting is complete, touch "OK" to confirm, the time on the index dial of the screen and homepage will update at the same time.

9.Choice between °C/F on display(Slide the screen to the left side seven times to enter this page)



Celsius and Fahrenheit switch:

Touch "°C" or "°F", the corresponding symbol will bright, temperature display will switch between °C and °F.

WIFI usage Steps:

1.Scan the code to download the "smart life" APP and install it on your phone.



2.Register a personal account and log into your home WIFI network.





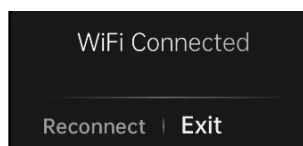
3. After connecting the power, enter the home page and touch the WIFI button to enter the wireless network connection page, touch "Connect" and the system will enter into the network matching status.



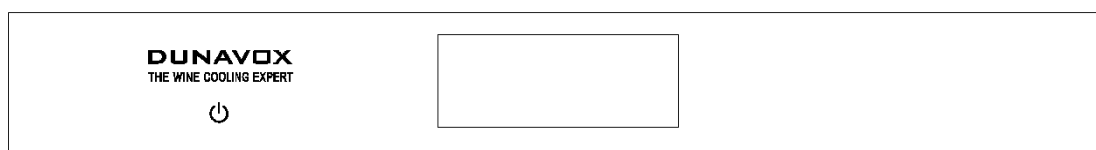
4. Click "+" on the APP page to "Add Device". The APP will automatically searching the devices and attempts to connecting.

5. The device icon will popped up when APP success to searching the device. Click the icon and enter the WiFi password. Then waiting for the complete connecting.

6. After the network is success connecting. The interface will display the . The APP enter into the wine cooler control main window. You can use the APP now. if connection fail, the interface will display , please check the WIFI network and touch "Reconnect" to connect again.



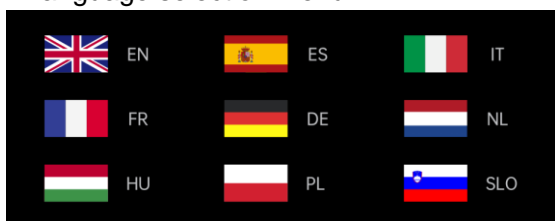
**FOR DVN-25.65; DVN-44.120; DVN-70.185; DVP-25.65; DVP-44.120; DVP-70.185**



 Power ON/OFF button

The system default power ON after plug in.  
 Long press this button 3 seconds, will have a beeping sound, the product power OFF.  
 Slightly press this button, will have a beeping sound, the product power ON.

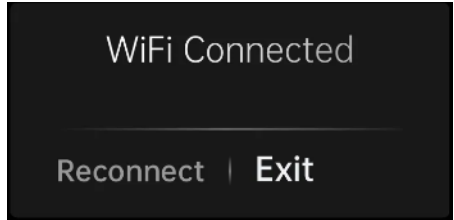
1. Language selection menu







First power up, the screen displays the language selection menu (English, Spanish, Italian, French, German, Dutch, Hungarian, Polish, Slovenian. Selected language will be saved and memorized e.g. unit should remember for the choice after a power breakout), after selecting the language, the screen will enter the homepage.


2. Homepage (Lock, WIFI)

Standby homepage (Screen will switch to homepage after 5 seconds of inactivity).

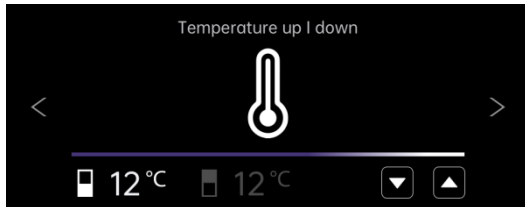




① Lock button:



In normal mode(non-fault),the system default unlock after power on product. Touch the  button on the upper left of the screen for 3 seconds, will have a beeping sound, the system enter lock mode to lock control panel and the lock button switch to , the system will have no action when touch the screen under lock mode .Touch the  button for 3 seconds, will have a beeping sound,the control panel unlock and the lock button switch to  .  
In fault mode(code or alarm), automatic unlocking.

② WIFI button : Touch the , the system will enter the wireless network connection page.(more details please refer to the below WIFI connection steps)

3.Temperature setting page(Slide the screen to the left side once to enter this page)



 is for upper zone and  is for lower zone.

Tough the  button to decrease the temperature by one (1) degree increments.Tough the  button to increase the temperature by one (1) degree increments.

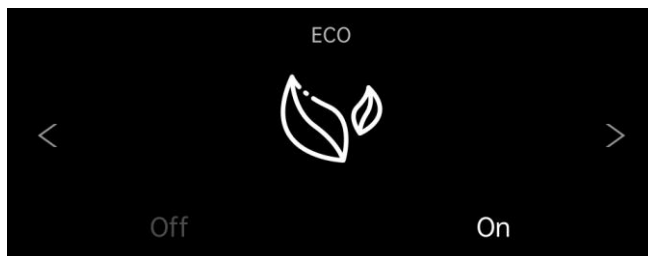
Temperature control range :

Upper zone : 5-10°C, Lower zone : 10-18°C

Factory default setting temperature:

Upper zone : 6°C, Lower zone : 12°C

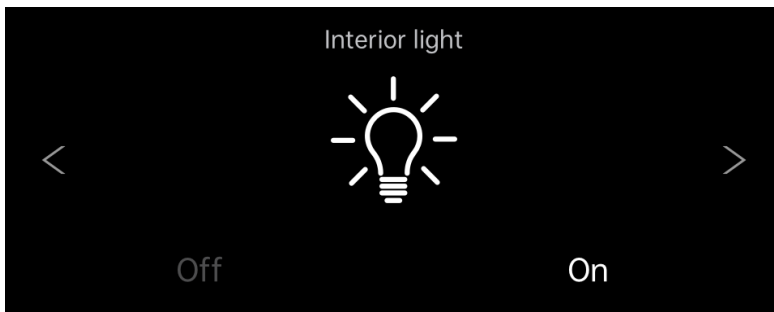
4.ECO mode setting page(Slide the screen to the left side twice to enter this page)



Tough the “ Off ” button, exit the ECO mode,the light will constant bright, the screen will go dark completely after door is closed 10 seconds;

Tough the “On” button, enter the ECO mode, the light will go off and the screen will go dark completely after door is closed 10 seconds.

5.Light mode setting page(Slide the screen to the left side three times to enter this page)



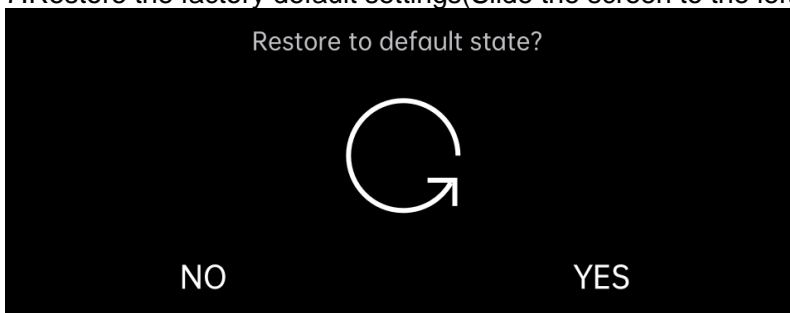
Touch the “On” button, the light will constant bright; touch the “Off” button, the light will on when the door is opened and will off when the door is closed.  
In the ECO mode, the light will not on when touch the “On”button.

6.Light color setting page(Slide the screen to the left side four times to enter this page)



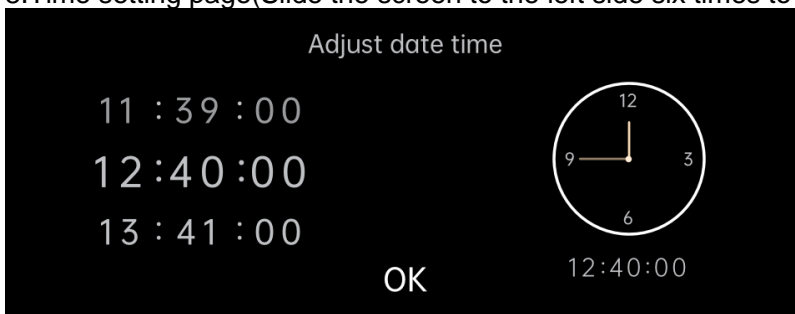
There are 3 light color can select, “White” “Blue” “Warm white”, please touch the corresponding button to select the light color.( In the ECO mode, the light color can not be changed).

7.Restore the factory default settings(Slide the screen to the left side five times to enter this page)



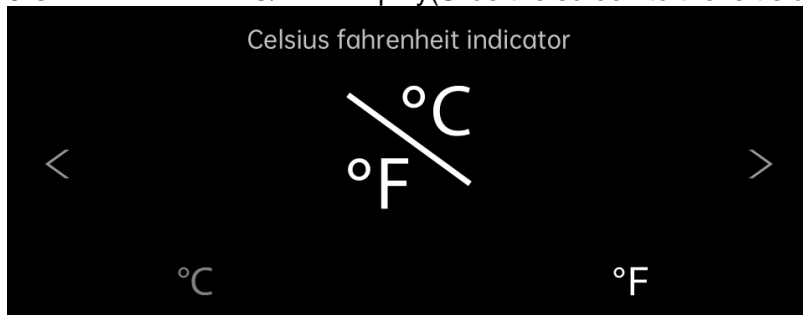
Touch “NO”, all the settings unchanged.  
Touch “YES”, restore the factory default settings,the interface will switch to the language selection menu

8.Time setting page(Slide the screen to the left side six times to enter this page)



Scroll up and down in the digital area to set the time,it can set the hour/minute/second, after the setting is complete, touch “OK” to confirm, the time on the index dial of the screen and homepage will update at the same time.

9.Choice between °C/F on display(Slide the screen to the left side seven times to enter this page)



Celsius and Fahrenheit switch:

Touch “°C” or “°F”, the corresponding symbol will bright, temperature display will switch between °C and °F.

WiFi usage Steps:

1.Scan the code to download the “smart life” APP and install it on your phone.





2.Register a personal account and log into your home WiFi network.

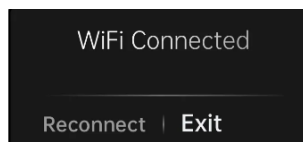
3.After connecting the power, enter the home page and touch the WiFi button to enter the wireless network connection page, touch “Connect ” and the system will enter into the network matching status.



4.Click "+" on the APP page to "Add Device". The APP will automatically searching the devices and attempts to connecting.

5.The device icon will popped up when APP success to searching the device. Click the icon and enter the WiFi password. Then waiting for the complete connecting.

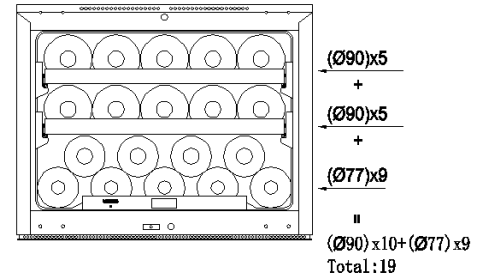
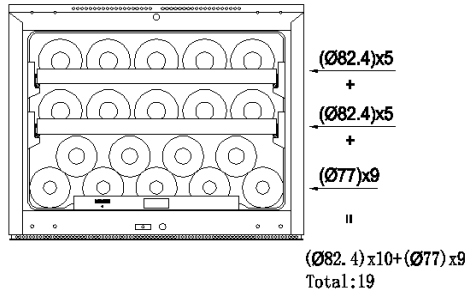
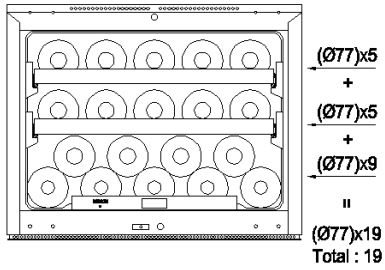
6.After the network is success connecting. The interface will display the  The APP enter into the wine cooler control main window. You can use the APP now. if connection fail, the interface will display  , please check the WIFI network and touch"Reconnect" to connect again.



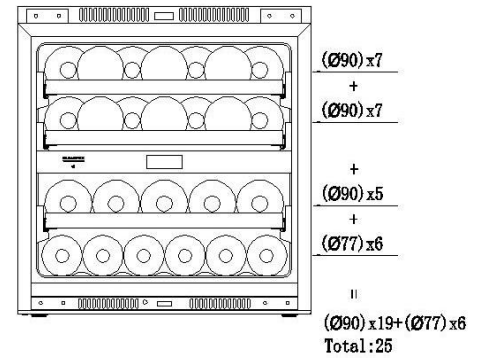
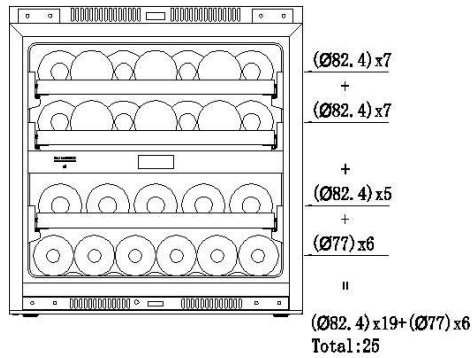
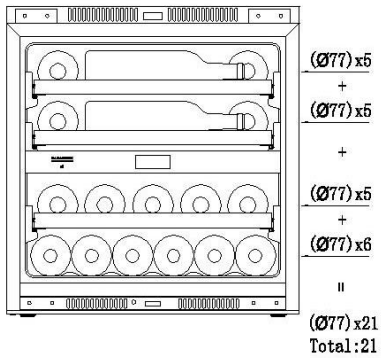
➤ **Storage diagram**

According to the actual configuration of your product, please check the relative Storage diagram.

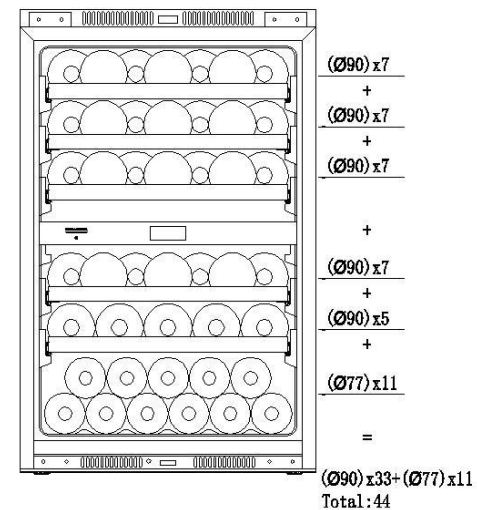
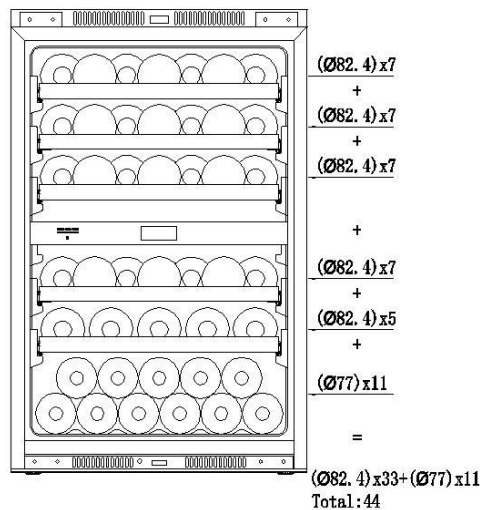
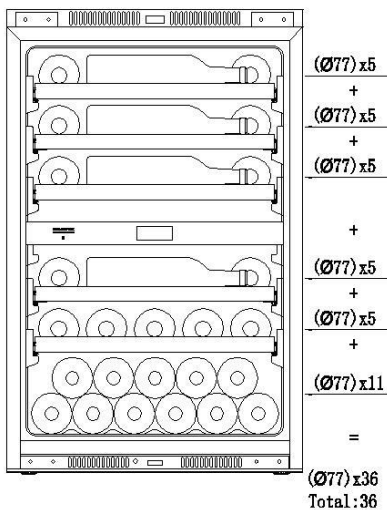
FOR DVN-19.50;DVP-19.50

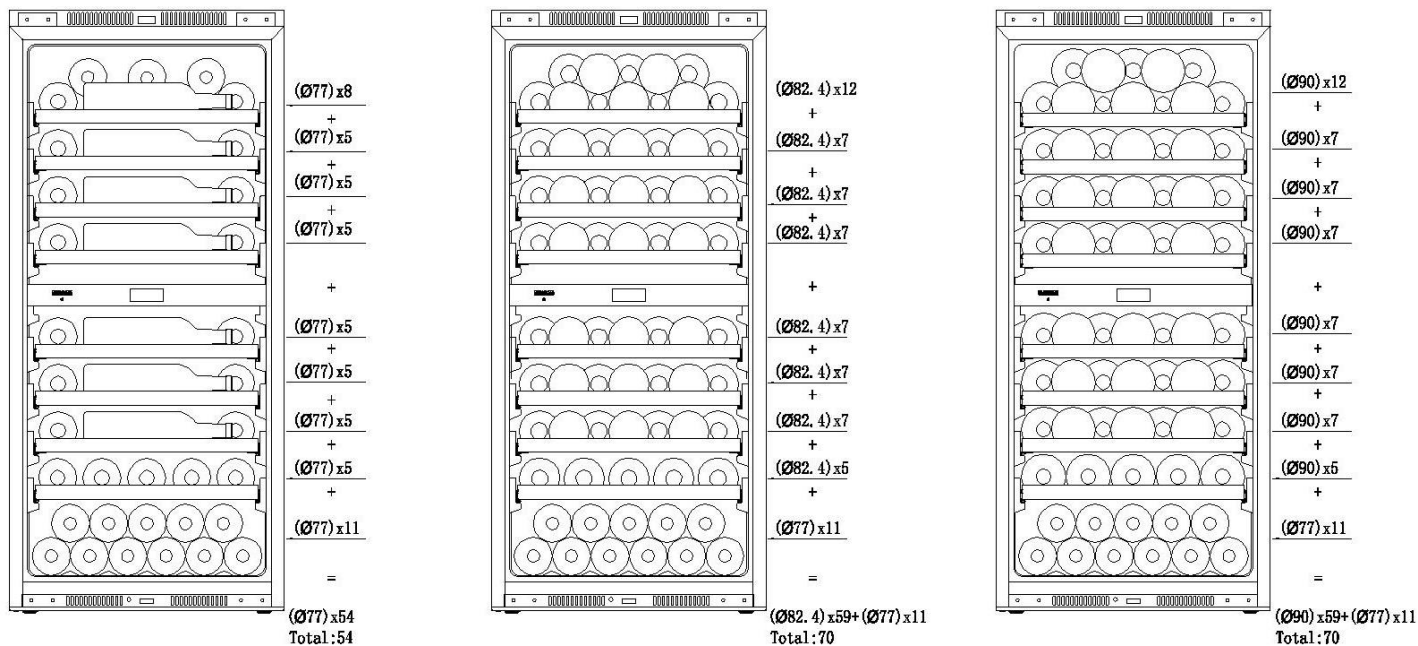


FOR DVN-25.65; DVP-25.65



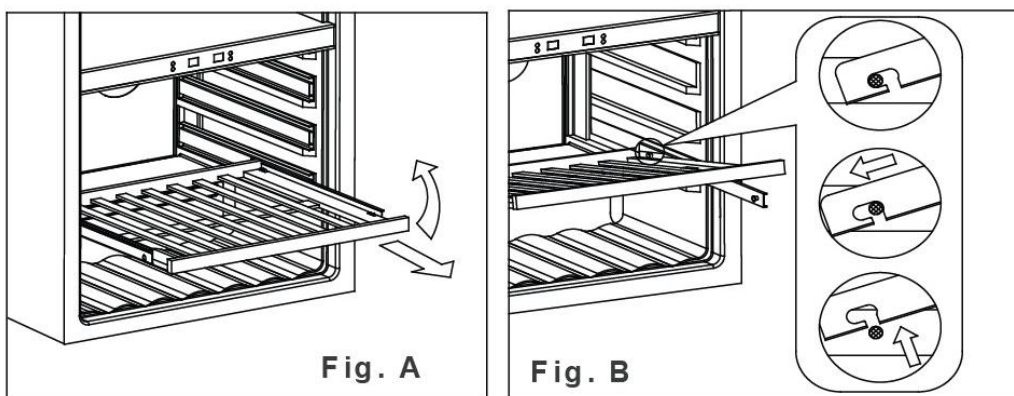
FOR DVN-44.120;DVP-44.120





➤ **Shelves**

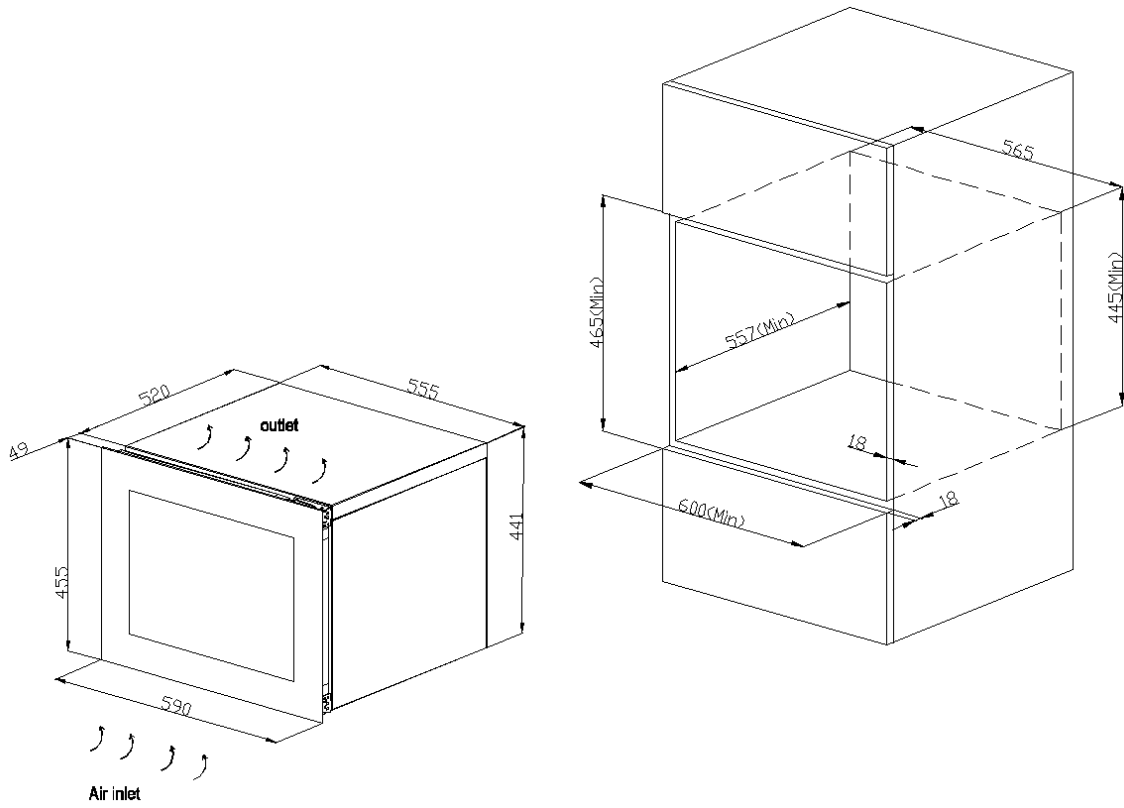
- According to the actual configuration of your product, please check the relative Remove or Replace Racks.
- To prevent damaging the door gasket, make sure to have the door all the way opened when pulling shelves out of the rail compartment.



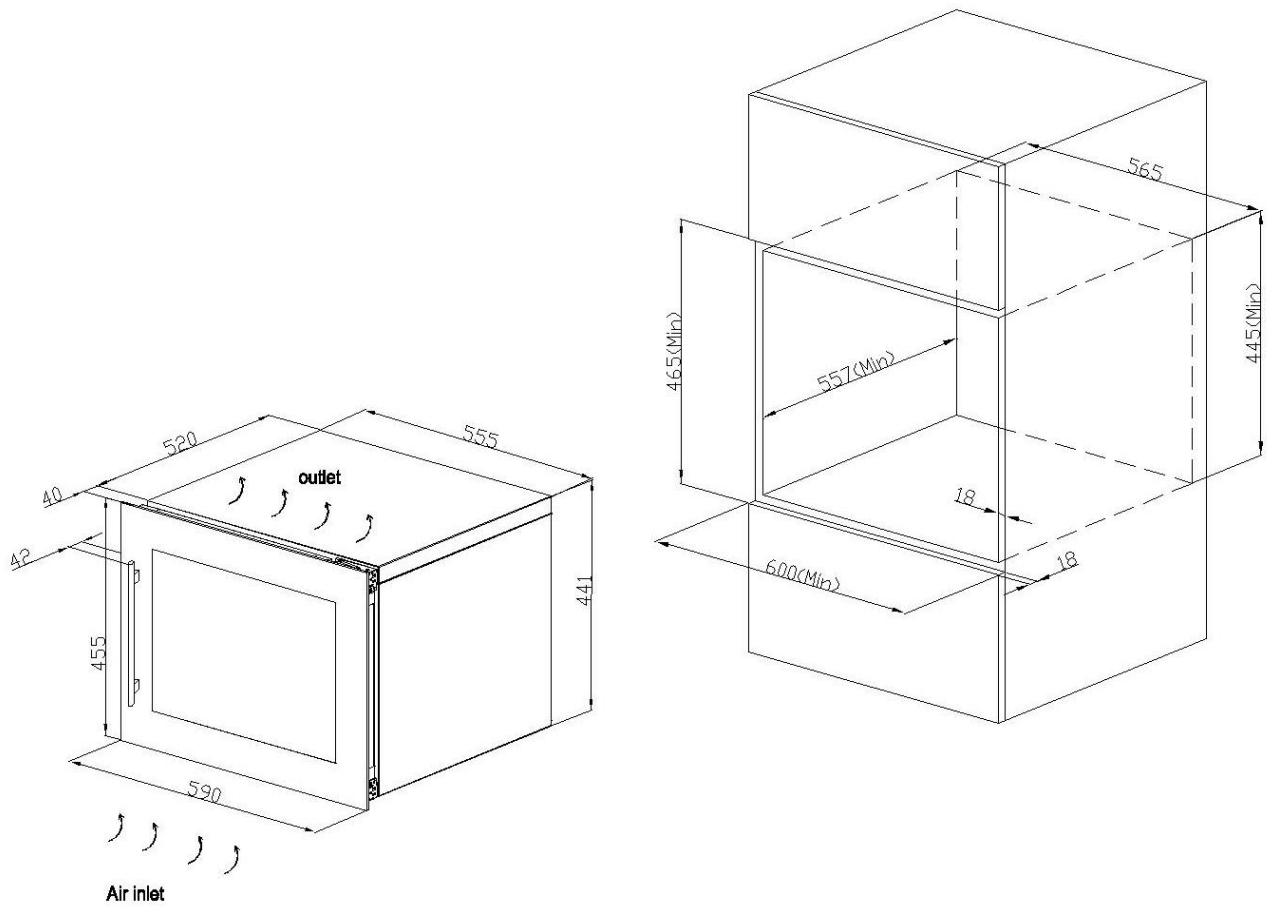
1. Fully extend the shelf you wish to remove (Fig. A)
2. Lift the front of the shelf up (Fig. A)
3. Holding the shelf track, push the shelf in, then up to release from the rear dampers (Fig. B)

➤ **INSTALLATION DIMENSIONS**

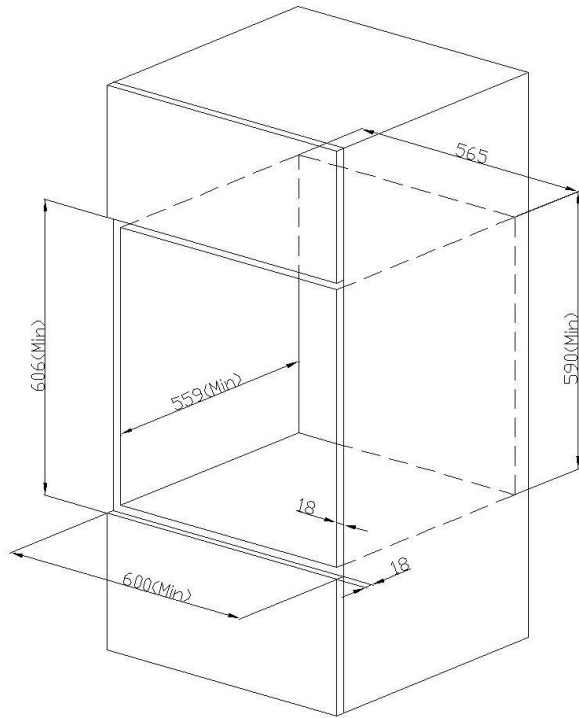
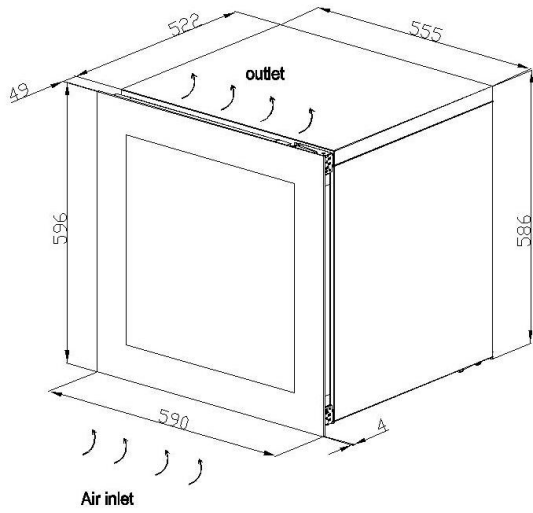
**DVN-19.50**



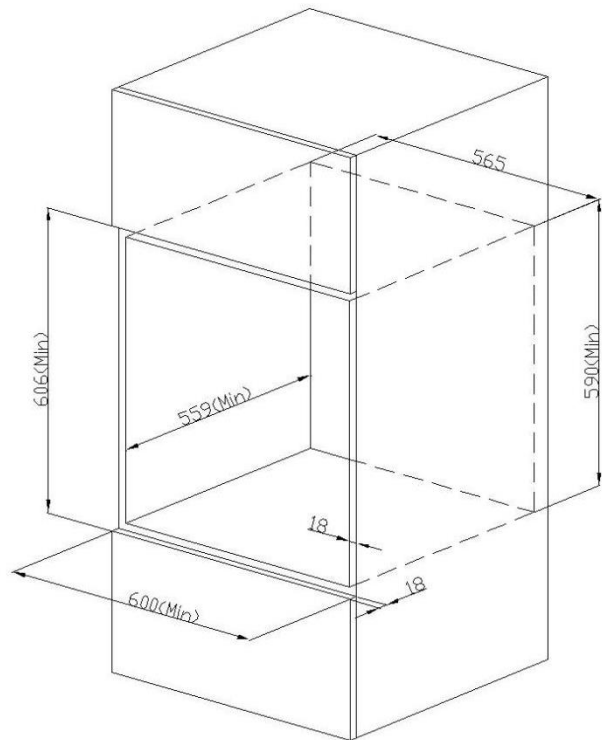
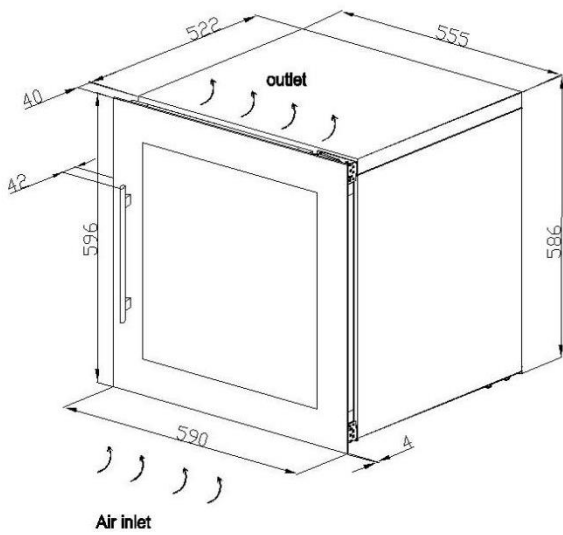
**DVP-19.50**



**DVH-25.65**

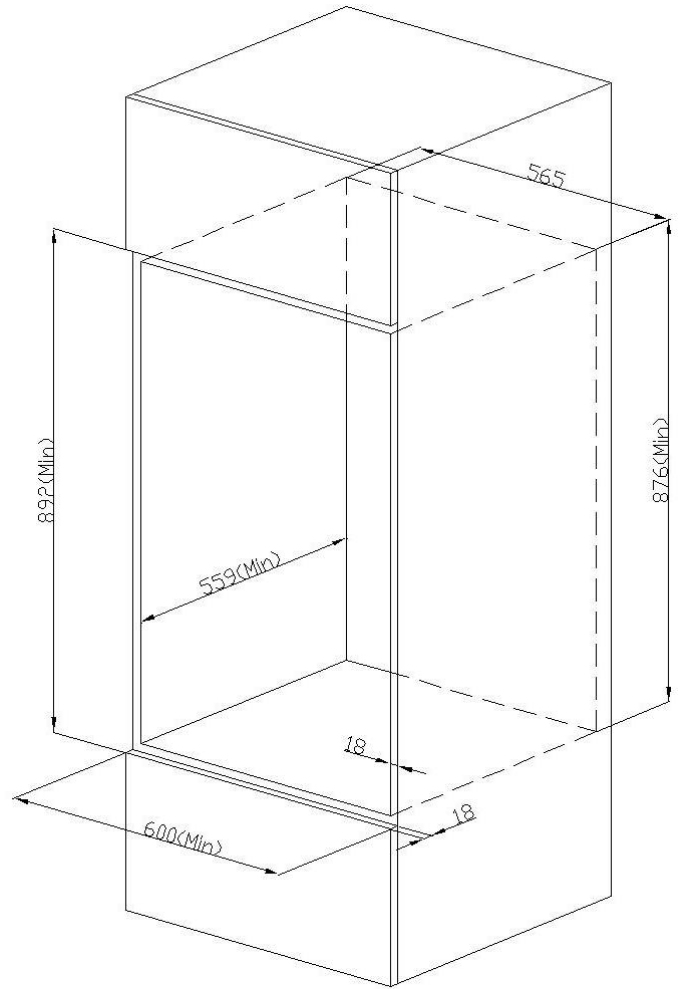
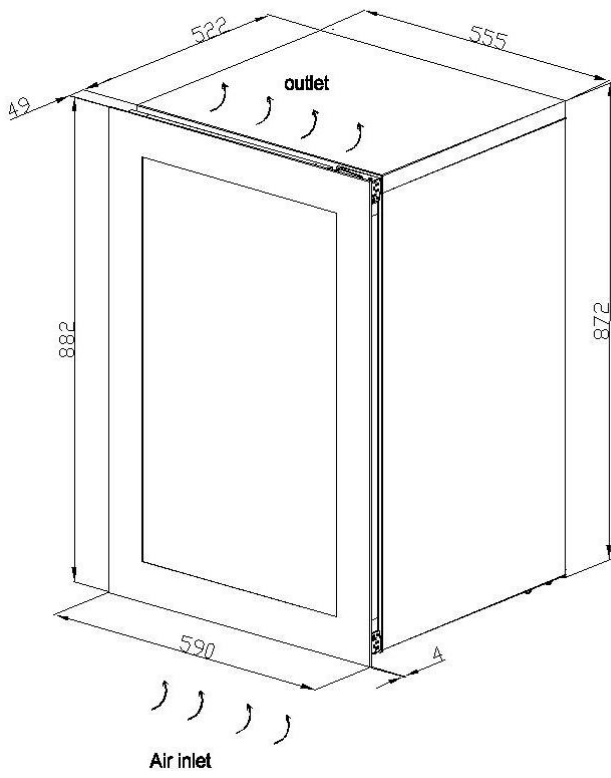


**DVP-25.65**

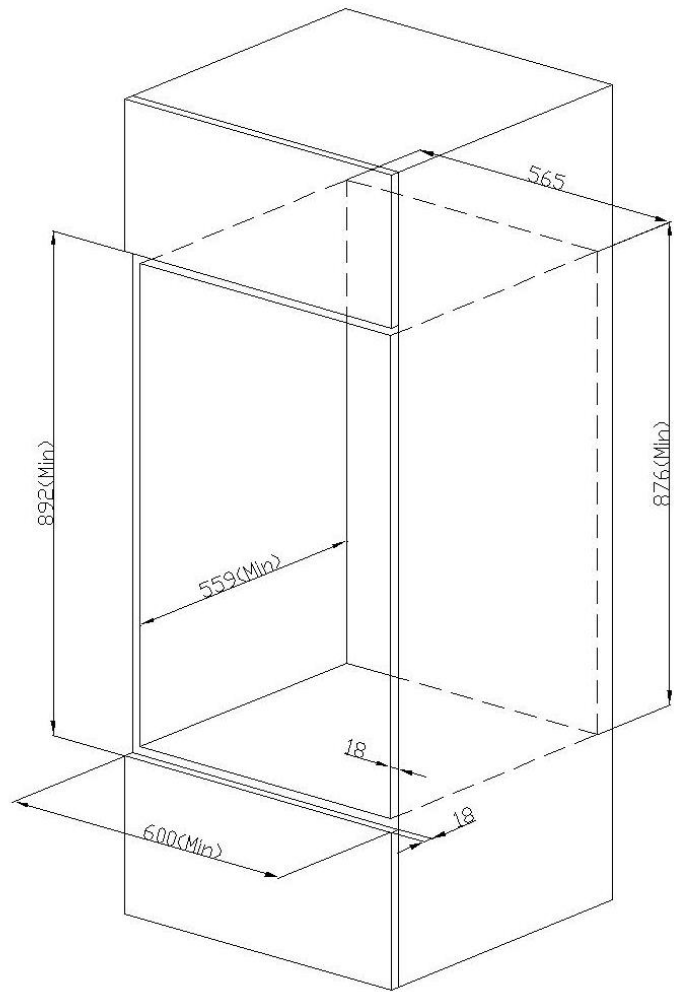
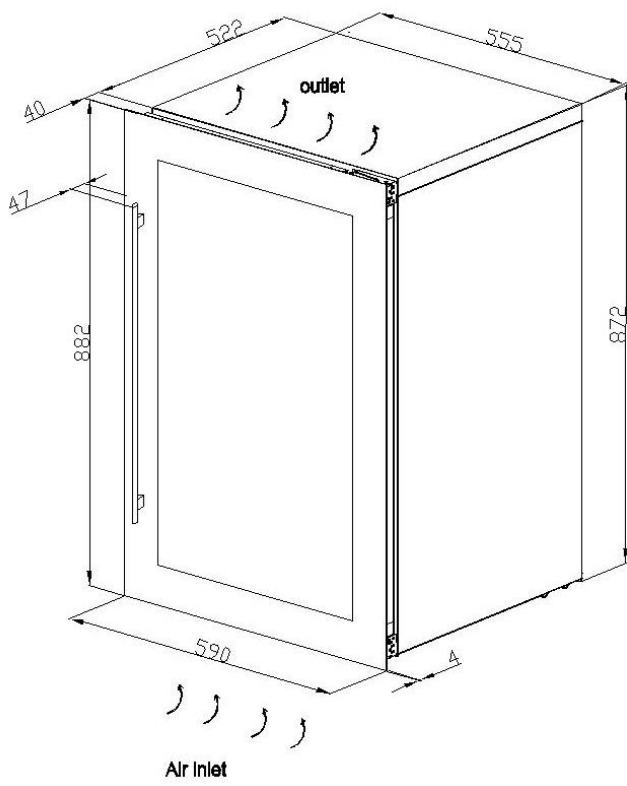




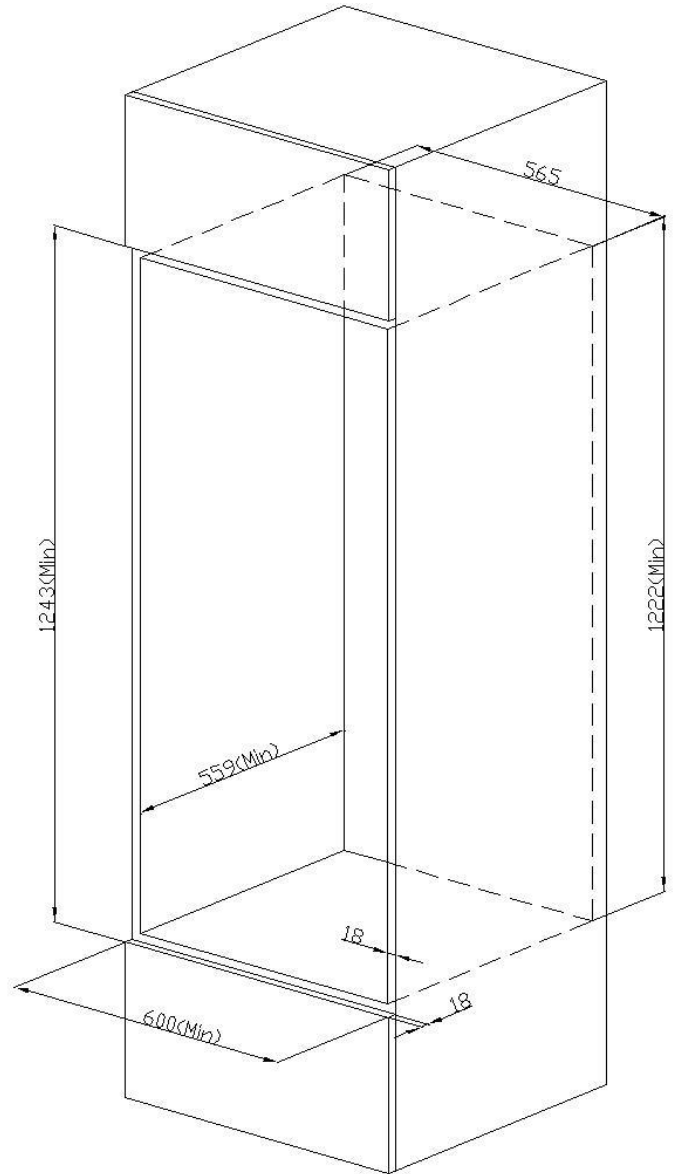
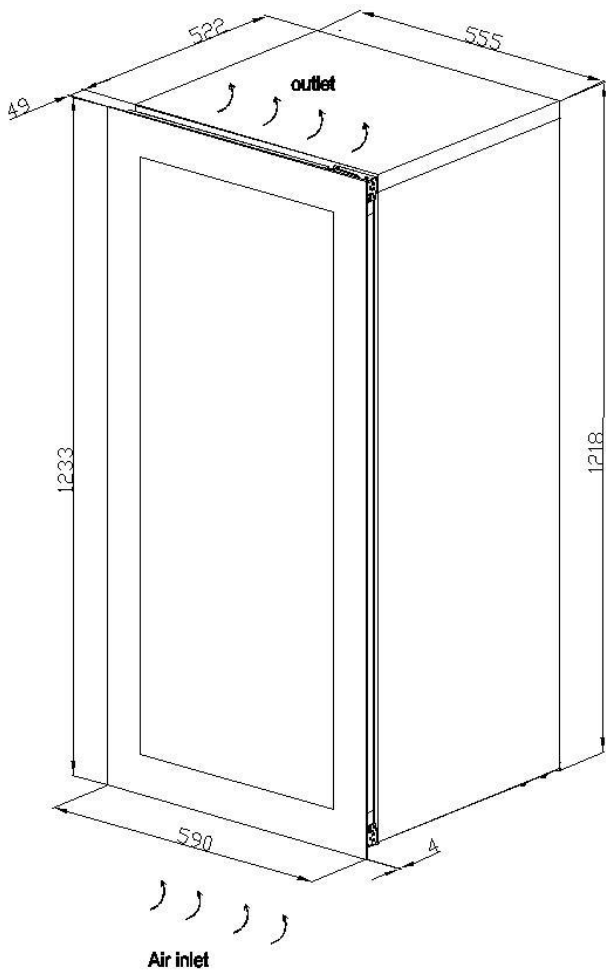
DVN-44.120



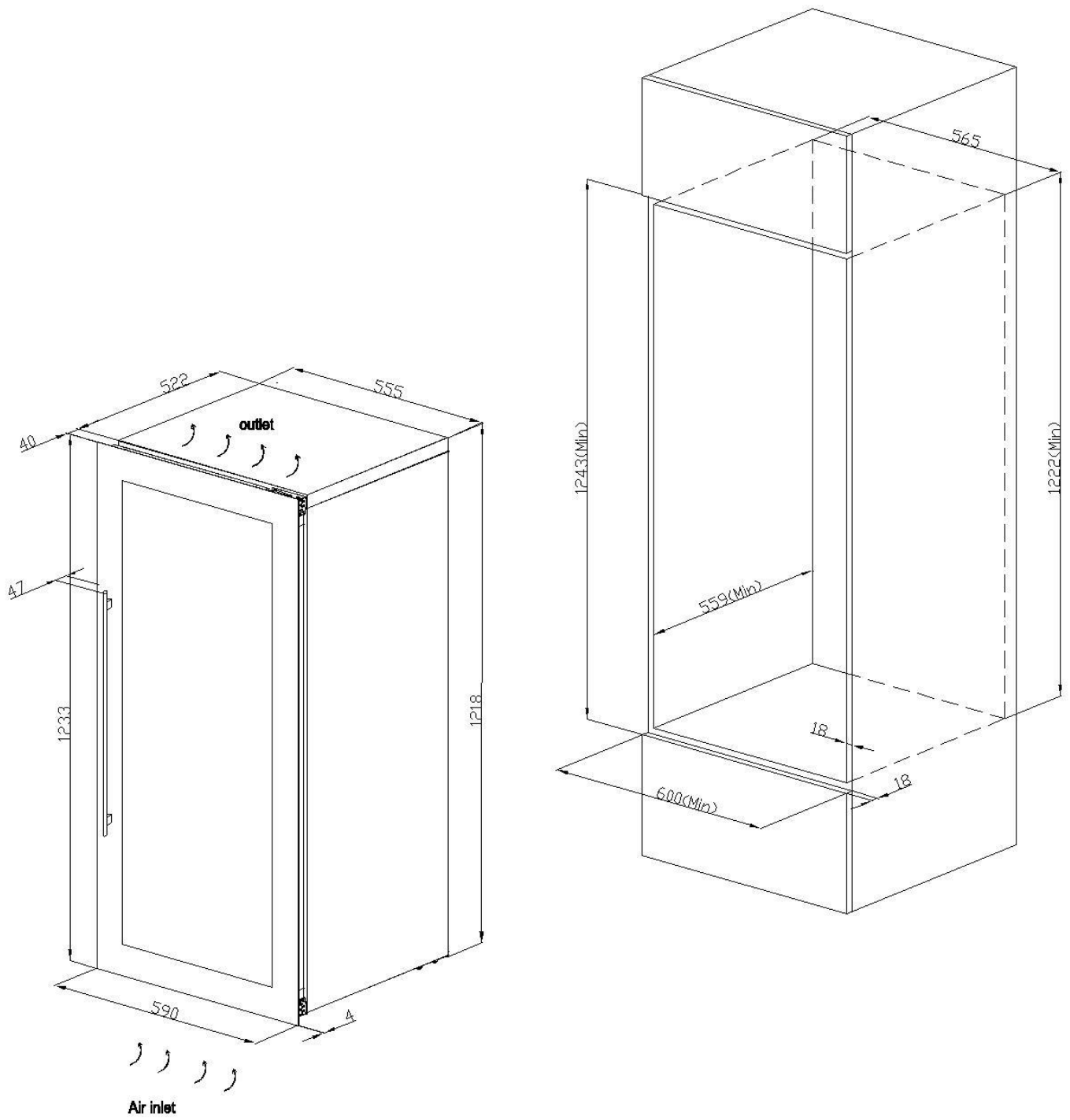
DVP-44.120



DVN-70.185

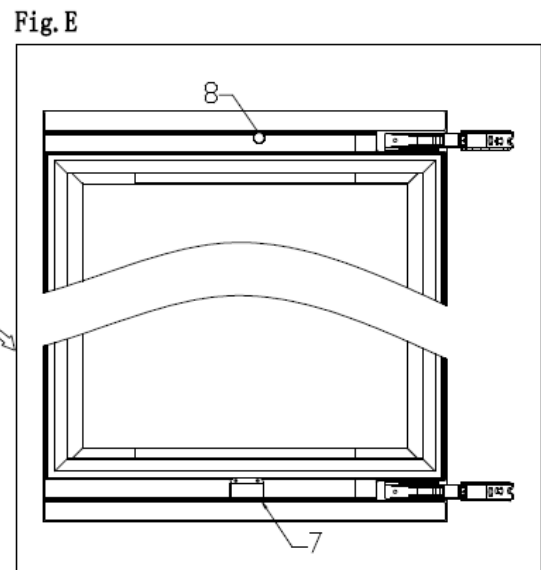
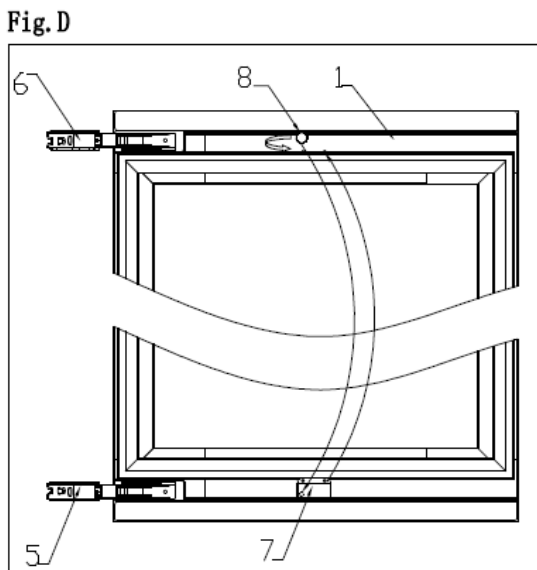
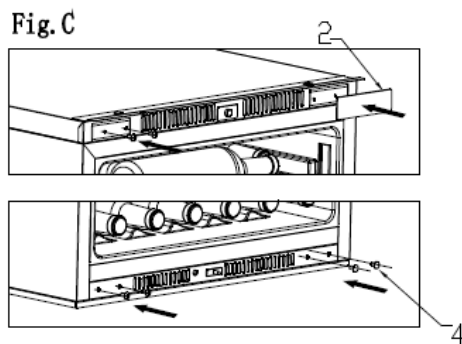
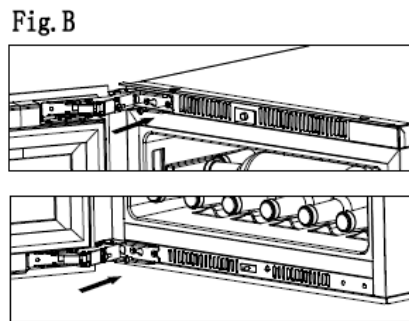
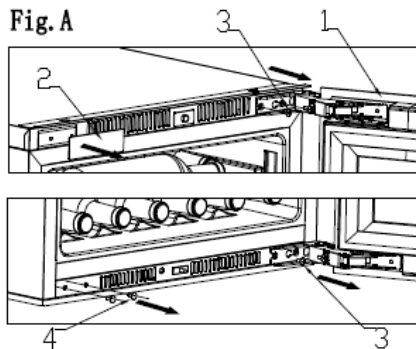


DVP-70.185



➤ **How to change the door opening Angle**

The Hettich hinge for DVH-25.65; DVH-44.120; DVH-70.185

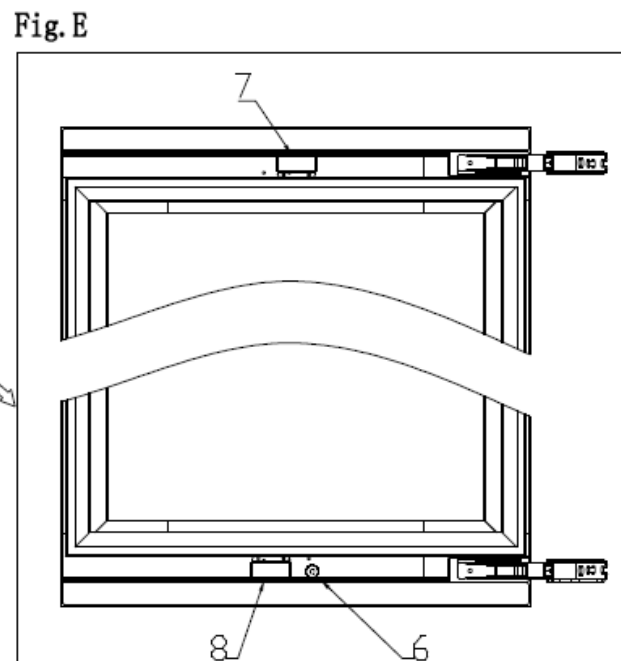
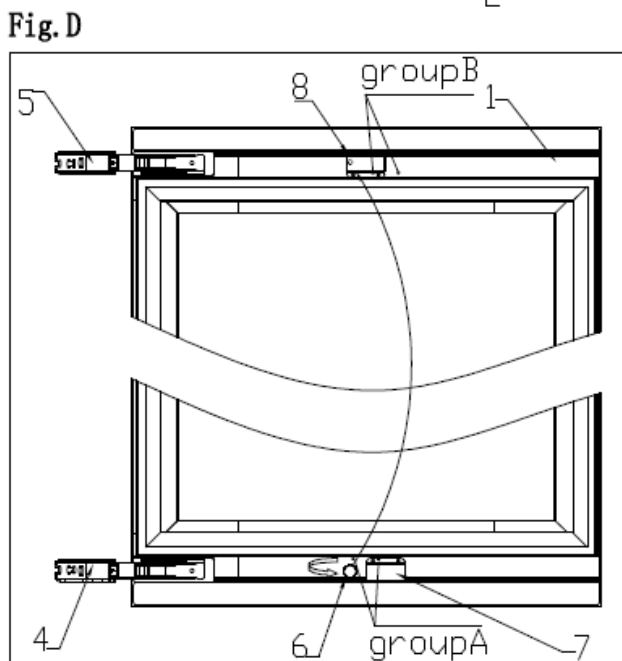
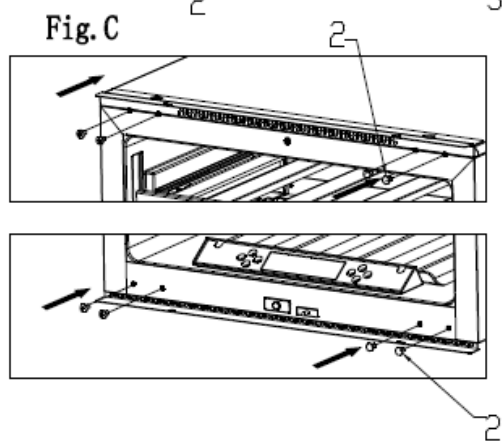
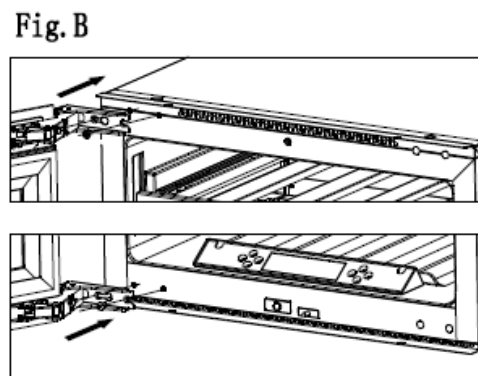
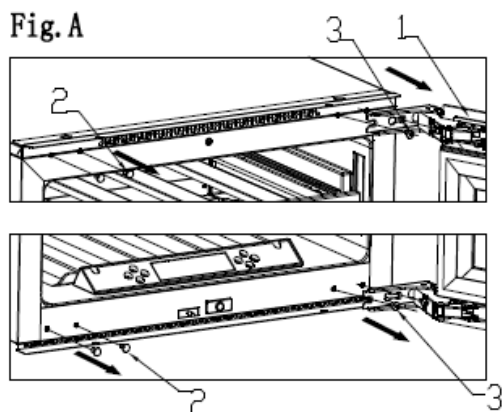


1. door 2. decorative plate 3.screw 4. decorative nail 5/6.door hinge 7.door lamp press 8. M5 hand screw

1. Open the door and remove the decorative piece (2) on the upper left side and the decorative nail (4) on the lower left side.
2. Remove all screws (3) from the upper and lower hinge, and then remove the door (Fig.A).
3. Remove the pressure plate of the door lamp (7) and install it on the upper door frame, rotate the M5 hand screw (8) to the left, remove and install the lower door frame, and then rotate the door 180 degrees (Fig.D, E).
4. Fix the screws in the upper left corner and lower left corner of the box, and be careful not to tighten them (Fig.B).
5. Put the door hinge into the screws in the upper left corner and lower left corner, align with the slot, and tighten the screws to ensure that the door hinge is tight (Fig.B).
6. Finally, install decorative pieces (2) and decorative nails (4) in the upper right corner and

lower right corner of the box (Fig.C).  
 Note: Two people are required to replace the door.

The Hettich hinge for **DVN-19.50**

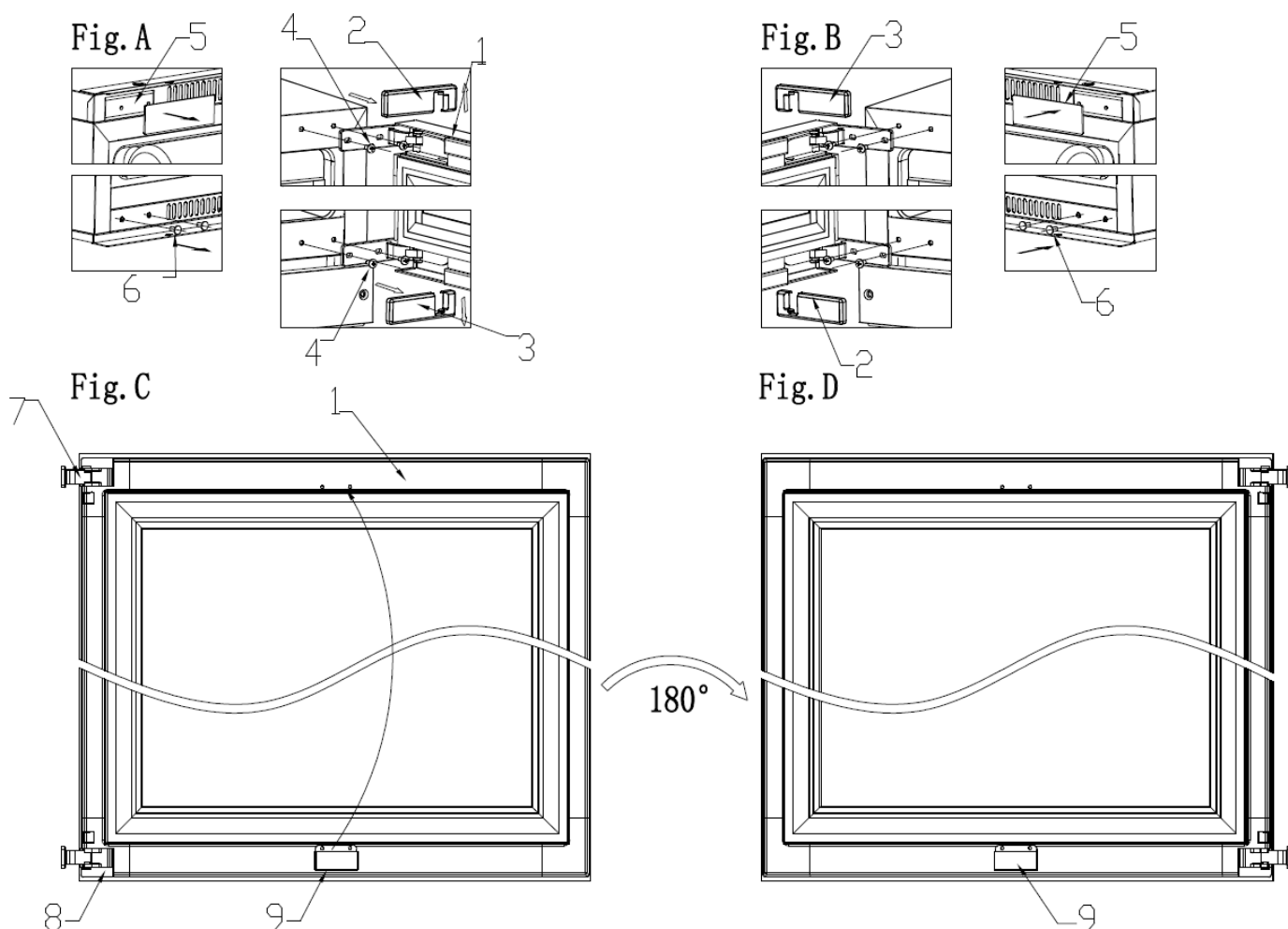


1.Door 2.decorative nails 3.screws 4/5.door hinge 6.M5 hand screw 7.lower door lamp tablet 8.door lamp tablet

1. Open the door and remove the decorative nail (2) on the left side (Fig.A)
2. Remove all screws (3) from the upper and lower hinge, and then remove the door (Fig.A).
3. Remove the door lamp press (8) and install it in group B, remove the lower door lamp press

- (7) and install it in group A, rotate the M5 hand screw to the left, remove and install it in the upper door frame,  
 Then rotate the door 180 degrees (Fig.D, E),  
 4. Fix the screws in the upper left corner and lower left corner of the box, and be careful not to tighten them (Fig.B).  
 5. Put the door hinge into the screws in the upper left corner and lower left corner, align with the slot, and tighten the screws to ensure that the door hinge is tight (Fig.C).  
 6. Finally, install the decorative nails (2) in the upper right corner and lower right corner of the box (Fig.C).  
 Note: Two people are required to replace the door.

The Standard Hinge for **DVP-19.50; DVP-25.65; DVP-44.120; DVP-70.185**



1. Open the door and remove the decorative piece or decorative nails (5) on the upper left side and the decorative nail (6) on the lower left side (Fig.A);
2. Pull the right door hinge cover (2) forward and upward, and then pull the right lower door hinge cover (3) forward and downward (Fig.A);
3. Remove all screws (4) from the upper and lower hinge, and then remove the door (Fig.A);
4. Press the door lamp (9) Remove and install it on the upper door frame, and then rotate the door 180 degrees (Fig.C, D);
5. Fix the door hinge on the left side of the box with screws and tighten the screws to ensure that the door hinge is tight (Fig.B);
6. Finally, install decorative pieces (5) and decorative nails (6) in the upper right corner and lower right corner of the box (Fig.B).

Note: It takes two people to change the door.

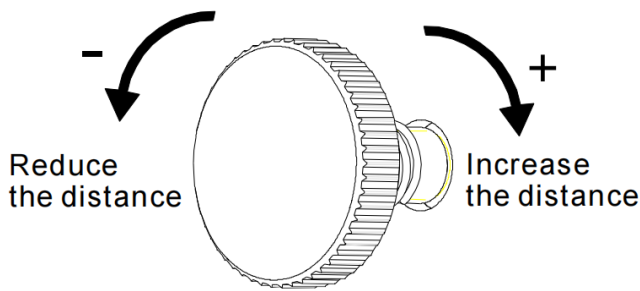
➤ **Automatic door opening function**

After the door is closed, press 2-3 seconds on the upper left of the door or lower left of the door (for **DVN-19.50**), after which the push rod starts and sticks out, and the door opens automatically, and then the push rod automatically retracts. After two seconds, the door can be closed manually.

**How to adjust the push door**

The automatic door opening function works by pressing the switch in front of the cabinet through the knob on the door to trigger the opening action. The door clearance may change due to vibration and other factors in transit, it causes the automatic door opening function is insensitive or cannot be used normally. Please check the distance between the knob and the switch in the door closed state and adjust to the most appropriate distance by rotating the knob.

1. The door is opening automatically after power on, it indicates the distance between the knob and the switch is too close.
2. There is no response even press the door hard, it indicates the distance between the knob and the switch is too far.
3. The door is opening automatically even by gently touch, it indicates the distance between the knob and the switch is too close.



## Adjusting knob

Please adjust the knob on the basis of the 1/4 circle in the above cases: rotate to the left, the knob is extended out of the door frame; rotated to the right, the knob is retracted into the door frame.



## CARE & MAINTENANCE

### ➤ **Clean your Wine Cooler/Beverage Cooler**

- Turn off the power, unplug the appliance, and remove all items including shelves and rack.
- Wash the inside surfaces with a warm water and mild solution.
- Wash the shelves with a mild detergent solution.
- Wring excess water out of the sponge or cloth when cleaning area of the controls, or any electrical parts.
- Wash the outside cabinet with warm water and mild liquid detergent. Rinse well and wipe dry with a clean soft cloth.
- Defrost the unit every 6 months

### **Defrosting process**

To defrost the appliance:

- 1, Switch off the appliance
- 2, Remove the bottles from the appliance
- 3, Leave the door open to speed up the process
- 4, Place towels at the door opening of the appliance to absorb any water.

Defrosting usually takes 2-4 hours. The appliance is defrosted when all the frost from the evaporator is gone.

- 5, Switch the appliance back on
- 6, If present, refill the humidity box

### ➤ **Power failure**

- Most power failures are corrected within a few hours and should not affect the temperature of your appliance if you minimize the number of times the door is opened. If the power is going to be off for a long period of time, you need to take the proper steps to protect your contents.

### ➤ **Vacation Time**

- Short vacations: Leave the Wine Cooler/Beverage Cooler operating during vacations of less than three weeks.
- If the appliance will not be used for several months, remove all items and turn off the appliance. Clean and dry the interior thoroughly. To prevent odor and mold growth, leave the door open slightly: blocking it open if necessary.

### ➤ **Moving your Wine Cooler/Beverage Cooler:**

- Remove all items.
- Take out the loose items inside the wine cooler/Beverage Cooler (such as shelf), or fix the loose items with the foam.
- Turn the adjustable leg up to the base to avoid damage.
- Tape the door shut.
- Be sure the appliance stays secure in the upright position during transportation. Also protect outside of appliance with a blanket or similar items.

### ➤ **Energy saving tips**

- The Wine Cooler/Beverage Cooler should be located in the coolest area of the room, away from producing appliances, and out of the direct sunlight.

## PROBLEMS WITH YOUR WINE COOLER/BEVERAGE COOLER


You can solve many common Wine Cooler/Beverage Cooler problems easily, saving you the cost of a possible service call. Try the suggestions below to see if you solve the problem before calling the service.

### Troubleshooting Guide

Problem	Possible Cause
Wine Cooler/Beverage Cooler does not operate	Not plugged in. The appliance is turned off. The circuit breaker tripped or a blown fuse.
Wine Cooler/Beverage Cooler is not cold enough	Check the temperature control setting. External environment may require a higher setting. The door is opened too often. The door is not closed completely. The door gasket does not seal properly.
Turns on and off frequently	The room temperature is hotter than normal. Overload of the cabinet The door is opened too often. The door is not closed completely. The temperature control is not set correctly. The door gasket does not seal properly.
The light does not work	Not plugged in. The circuit breaker tripped or a blown fuse. The bulb has burned out. The light button is "OFF"
Vibrations	check to sure that the Wine Cooler/Beverage Cooler is level.
Too much noise	The rattling noise may come form the flow of the refrigerant, which is normal. As each cycle ends, you may hear gurgling. Contraction and expansion of the inside walls may cause popping and crackling noises. The Wine Cooler/Beverage Cooler is not level.
The door will not close properly	The Wine Cooler/Beverage Cooler is not level. The door was reversed and not properly installed. The gasket is dirty. The shelves are out of position.

### Before disposal of the appliance.

1. Disconnect the main plug from the main socket.
2. Cut off the main cable and discard it.

	Correct disposal of this product
	<p>This symbol on the product, or in its packaging, indicates that this product may not be treated as household waste. Instead, it should be taken to the appropriate waste collection point for the recycling of electrical and electronic equipment. By ensuring this product is disposed of correctly, you will help prevent potential negative consequences for the environment and human health, which could otherwise be caused by the inappropriate waste handling of this product. For more detailed information about the recycling of this product, please contact your local council, your household waste disposal service, or the shop where you purchased the product.</p>

## WARRANTY

This product comes with a warranty period of 3 years. You can extend the warranty of your compressor up to 5 years if you register your appliance via the following link:  
[dunavox.com/product-registration](http://dunavox.com/product-registration)

The warranty does not cover:

- Damage in transit or when moving the appliance.
- Any damages caused from negligence, accident, improper use, improper installation/service or use for purposes other than those described in the instruction manual.
- Damage caused by connecting your product to the wrong power source.
- Damage from power failure.
- Faulty installation or modification made during installation.
- Damage caused by unauthorized repair.
- Any damages resulting from force majeure, fire disaster or natural disaster.
- Alterations to the product without express permission from the manufacturer.
- Parts such as light, removable shelves, or plastic.
- Any spoilage or damage to wines or any other contents incidental or consequential to possible defects of the unit.

The warranty clauses and specifications are subject to change without notice.