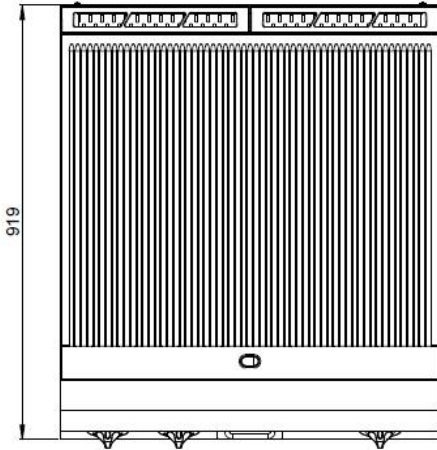
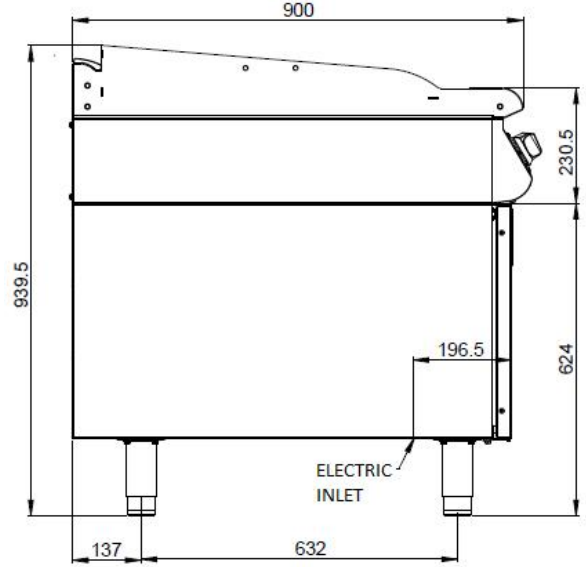
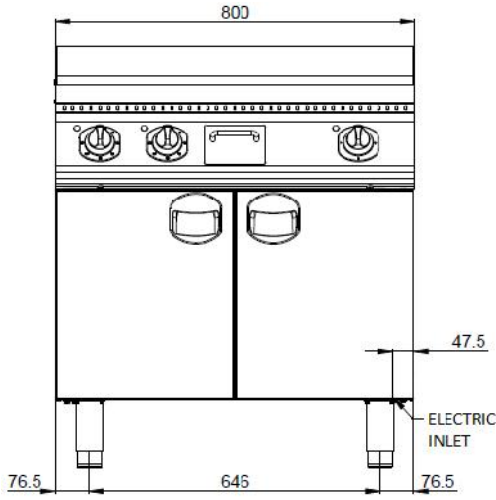


9İE21 1 MODUL ELECTRIC CABINET GRILL



GENERAL FEATURES

- Fry Top
- Perfect 900 line, 1 module, with cabinet
- Ribbed surface ,
- Body manufactured of 18/8 Cr-Ni s/s stain finished sheet and inner parts of alumunized steel,
- Oil collecting channel and discharge in front of the frying surface,
- Collecting of oil on the surface in a easy to clean s/s drawer,
- Upstands at 3 ends in order to prevent fat from splashing around during frying process,
- Surface of frying can be control with two different control system,
- All of the electric control borads and devices in conformity with the international standards,
- Temperature adjustment between 50-300°C by multi-step thermostat and with safety thermostat of 350°C,
- Main switch for the supply or stop of the power,
- It is manufactured with cabinet as standart. Cabinet is manufactured from stainless stell. Cabinet doors are with plastic holder,
- For multi-purpose use, on a cupboard (with or without doors) or on cantilever for island type installations,
- Adjustable feet of stainless stell pipe , carrier sheet is 2 mm alumunized sheet.

TECHNICAL SPECIFICATION

Total Power	12	kW
Electric Inlet	380-400	V
Cooking Area	794x659.5	mm
Cablo Cut	5x4	mm ²
Palett+Box Measures	822x937x1006	WxDxH