

Apach

COOK *line*

MCPG74A

Catalogo parti di ricambio valido
dalla matricola 0000001 (31.10.2006) ad oggi (01.12.2022)

Catalogue pieces detachees
valable à partir du numero de Série n. 0000001 (31.10.2006) jusqu'à aujourd'hui
(01.12.2022)

Ersatzteilkatalog
gültig ab Serien-Nr. 0000001 (31.10.2006) bis heute (01.12.2022)

Spare parts catalogue
valid from serial no. 0000001 (31.10.2006) up today (01.12.2022)

Catálogo de peças de reposição
válido do número de série 0000001 (31.10.2006) até hoje (01.12.2022)

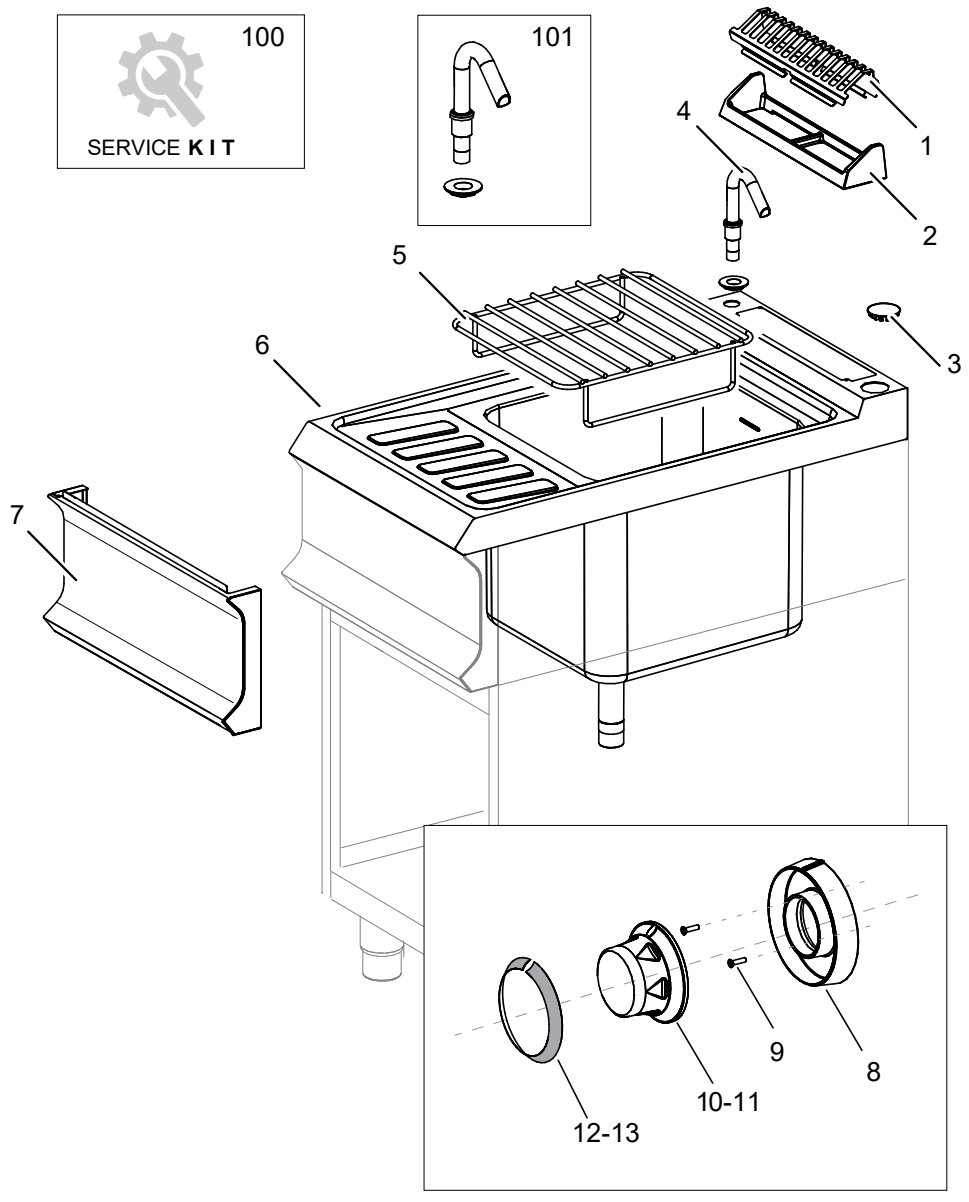
Le informazioni sono considerate non vincolanti. Le immagini rappresentate sono puramente indicative. Il produttore si riserva il diritto di apportare modifiche in qualsiasi momento senza preavviso.

Les informations données ne sont pas contraignantes. Les images montrées sont à titre indicatif. Le producteur se réserve le droit d'apporter des modifications sans préavis.

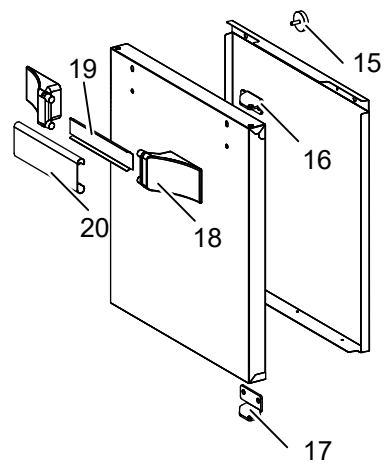
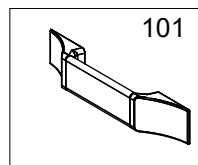
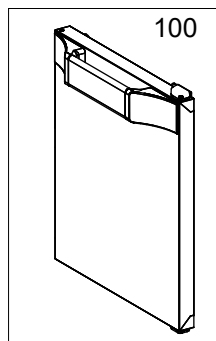
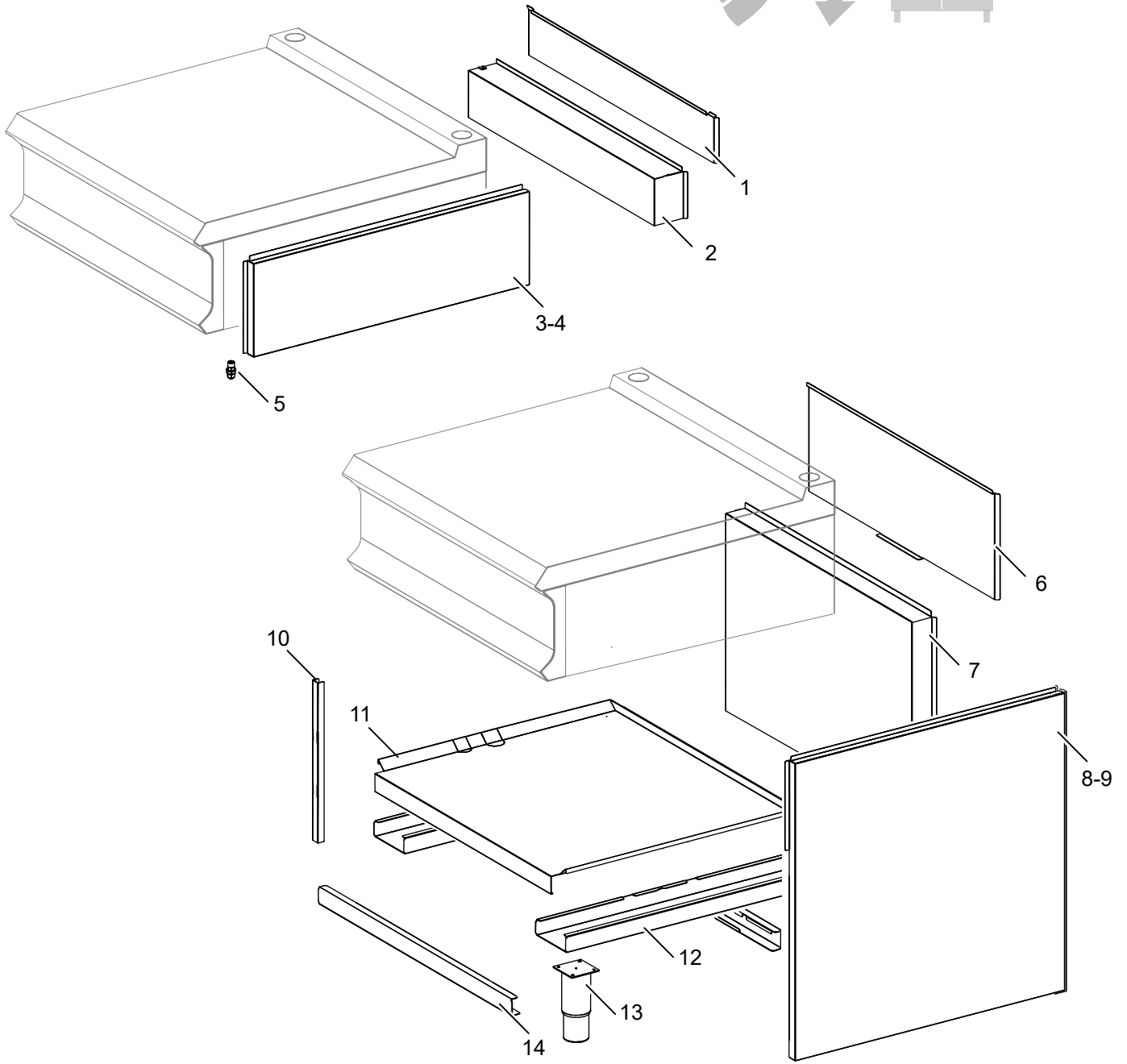
Die im vorliegenden Dokument aufgeführten Informationen und Bilder sind unverbindlich. Der Hersteller behält sich das Recht vor, jederzeit ohne vorherige Ankündigung Änderungen vorzunehmen

Info and drawing could be slightly different from reality and they cannot be considered as compelling. Manufacturer can modify info anytime without forewarning.

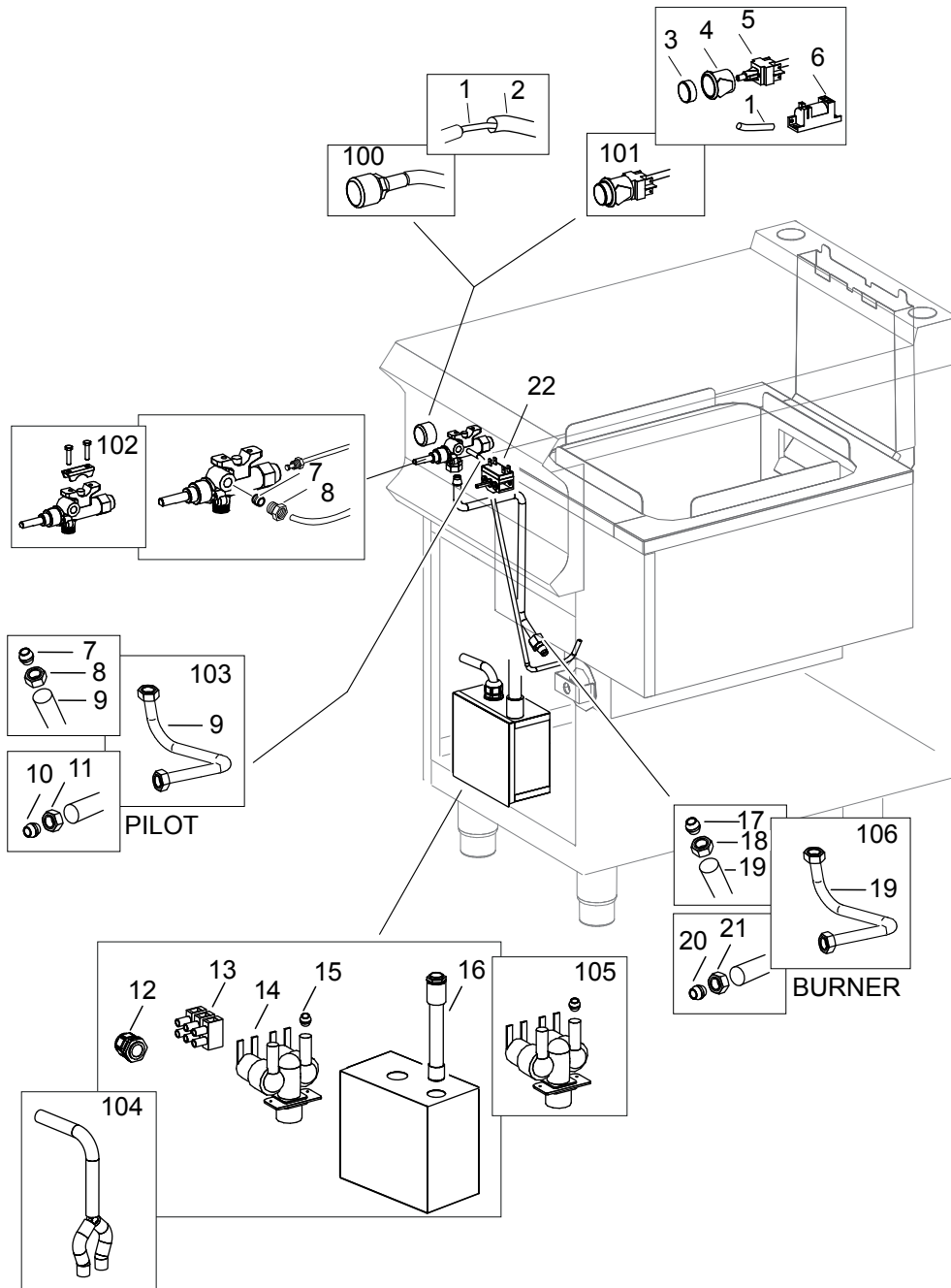
As Informações e desenhoS podem estar um pouco diferente da realidade e são puramente indicativas. O fabricante pode modificar estas informações a qualquer momento sem aviso prévio.



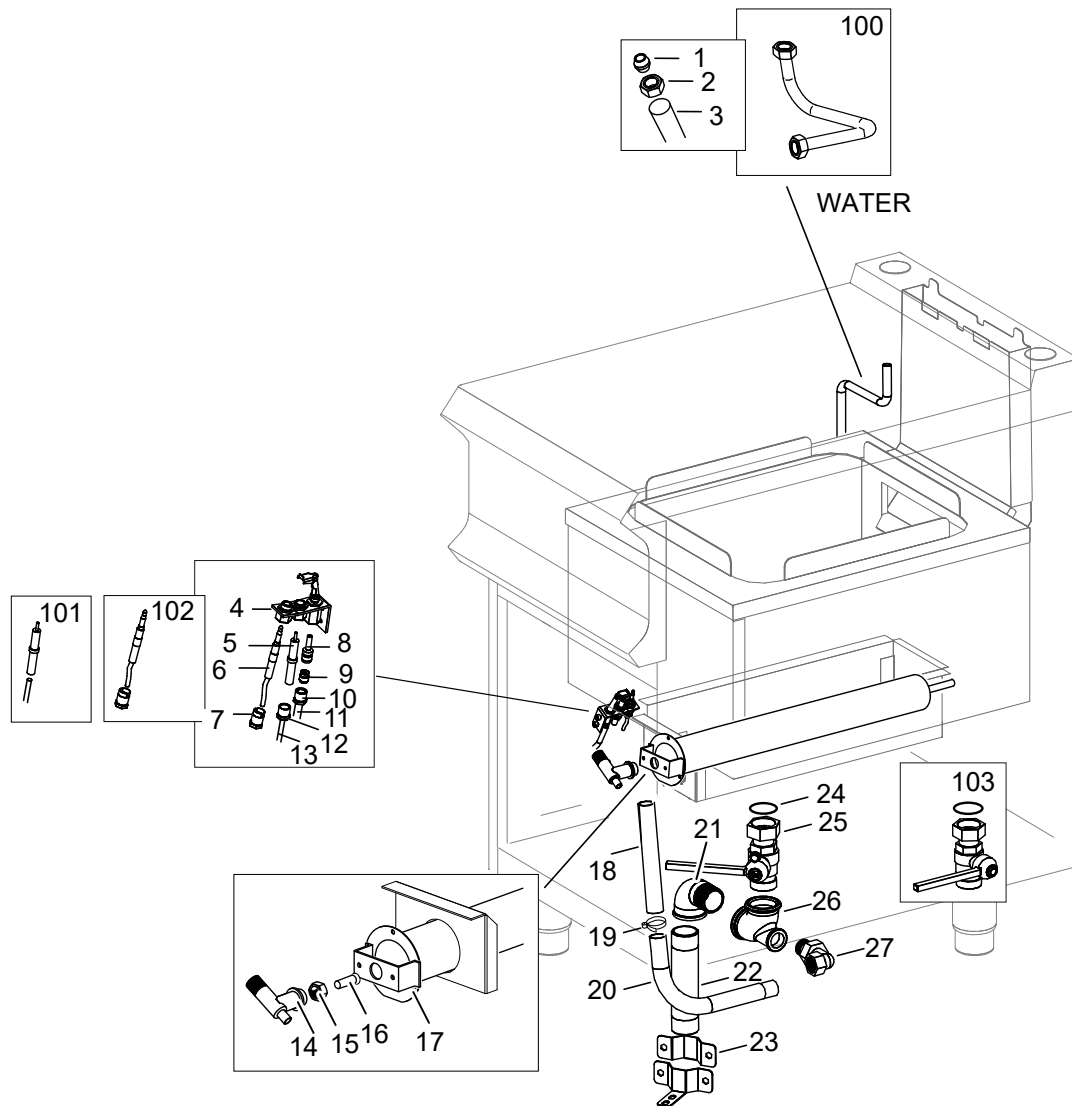
Nr.	Code	Title	Recommended
1.	202046	CHIMNEY GRILL	
4.	RTBF800041	WATER EROGATOR	✓
5.	RTCU700286	BASKET SUPPORT GRID	
6.	202064	ARBEITSPLATTE + WANNE	
7.	202283	CONTROL PANEL	
10.	202200	COMMUTATOR KNOB	
11.	202201	BURNER KNOB	
12.	200160	KNOB RING	
13.	200902	WATER LOAD KNOB RING	
100.	ECS7002	RECOMMENDED PARTS FOR CPG74A	
101.	RTBF800041	WATER EROGATOR	✓



Nr.	Code	Title	Recommended
7.	201329	<i>SINGLE REAR</i>	
8.	200031	<i>LATERAL SIDE RIGHT</i>	
9.	200032	<i>LATERAL SIDE LEFT</i>	
11.	200678	<i>LOWER FLOOR</i>	
12.	200030	<i>CROSS FEET</i>	
13.	RTCU700277	<i>FOOT</i>	
14.	200029	<i>FRONT / REAR CROSS MEMBER</i>	
15.	181529	<i>DOOR MAGNET</i>	
16.	200064	<i>RIGHT HINGE</i>	
17.	200065	<i>LEFT HINGE</i>	
18.	201706	<i>HANDLE TERMINAL</i>	
20.	201926	<i>HANDLE</i>	
100.	RIC0005129	<i>CABINET DOOR COMPLETE</i>	
101.	RIC0005130	<i>HANDLE CUPBOARD</i>	



Nr.	Code	Title	Recommended
1.	RTCU900385	OVEN LIGHTING CABLE	
2.	168890	TRASPARENT SILICON PIPE	
7.	RTCU900018	BICONE D.6 MM.6	✓
8.	RTCU900019	NUT D.6 HEIGHT 10,5 MM.	✓
9.	173375	BURNER PILOT PIPE	
10.	RTCU800183	BICONE D.6 MM.11	✓
11.	RTCU800182	NUT AC.D.6 BLACK HEIGHT 11 MM.	✓
12.	RTBF700021	CABLE PRESS WITH NUT	
13.	RTBF900045	TERMINAL BOARD	
14.	RTFOC00203	2 WAY ELECTROVALVE	✓
15.	172832	0,5 LT FLOW RATE SOLENOID VALVE/REGULAT	✓
16.	RTBF800178	CABLE PROTECTION HOSE + NUTS	
22.	RTFOC00694	COMMUTATOR	✓
100.	RIC0004096	PIEZO IGNITION + LIGHTING CABLE	✓
102.	RIC0004953	KIT GAS TAP	✓
103.	RIC0004957	KIT PILOT PIPE CPG74	
104.	RIC0004972	FEEDING KIT H2O	
105.	RTFOC00203-00	2 WAY ELECTROVALVE KIT WITH REGULATORS	✓
106.	173376	FEEDING PIPE FOR BURNER	



Nr.	Code	Title	Recommended
1.	RTCU900012	<i>BICONE D.10</i>	✓
2.	RTCU900013	<i>NUT D.10 HEIGHT H. 14 MM</i>	✓
3.	200358	<i>WASHING SYSTEM PIPE</i>	
4.	RTCP800034	<i>3 WAYS PILOT BURNER</i>	✓
5.	RTCP800033	<i>ROUND SPARK PLUG</i>	✓
6.	RTCU900474	<i>THERMOCOUPLE</i>	✓
7.	RTCP800038	<i>T/COUPLE CONNECTION GC47</i>	✓
8.	INIETTORE	<i>SEE HANDBOOK NOZZLES</i>	
9.	RTCU800183	<i>BICONE D.6 MM.11</i>	✓
10.	RTCU800182	<i>NUT AC.D.6 BLACK HEIGHT 11 MM.</i>	✓
11.	173375	<i>BURNER PILOT PIPE</i>	
12.	RTCU900215	<i>SPARK NUT</i>	✓
13.	RTBF800308	<i>IGNITION CABLE CM 150</i>	✓
14.	RTCU900337	<i>INJECTOR SUPPORT</i>	✓
15.	RTCU900005	<i>LOCK NUT</i>	✓
16.	INIETTORE	<i>SEE HANDBOOK NOZZLES</i>	
17.	RTBF800048	<i>BURNER</i>	✓
18.	MPG0M21T00	<i>PIPE, PVC/22X32</i>	
19.	RTBF800171	<i>CABLE TIE</i>	
20.	RTCU700322	<i>OVERFLOW DRAIN PIPE</i>	
21.	169318	<i>CRANK</i>	
22.	165912	<i>DRAIN WATER PIPE</i>	
23.	184754	<i>PLATE</i>	
24.	183846	<i>GASKET</i>	✓
25.	183863	<i>WATER DRAIN TAP</i>	✓
26.	RTBF800116	<i>CONNECTOR</i>	
27.	RTCP900066	<i>CRANK</i>	
100.	RIC0004941	<i>KIT WATER DISTRIBUTOR PIPE CPE74</i>	
101.	RTCP800033-00	<i>KIT ROUND SPARK PLUG</i>	✓
102.	RTCU900474-00	<i>KIT THERMOCOUPLE</i>	
103.	RIC0004944	<i>KIT DRAIN TAP CPE74</i>	