

MCPE74A

Catalogo parti di ricambio valido
dalla matricola 0000001 (31.10.2006) ad oggi (01.12.2022)

Catalogue pieces detachees
valable à partir du numero de Série n. 0000001 (31.10.2006) jusqu'à aujourd'hui
(01.12.2022)

Ersatzteilkatalog
gültig ab Serien-Nr. 0000001 (31.10.2006) bis heute (01.12.2022)

Spare parts catalogue
valid from serial no. 0000001 (31.10.2006) up today (01.12.2022)

Catálogo de peças de reposição
válido do número de série 0000001 (31.10.2006) até hoje (01.12.2022)

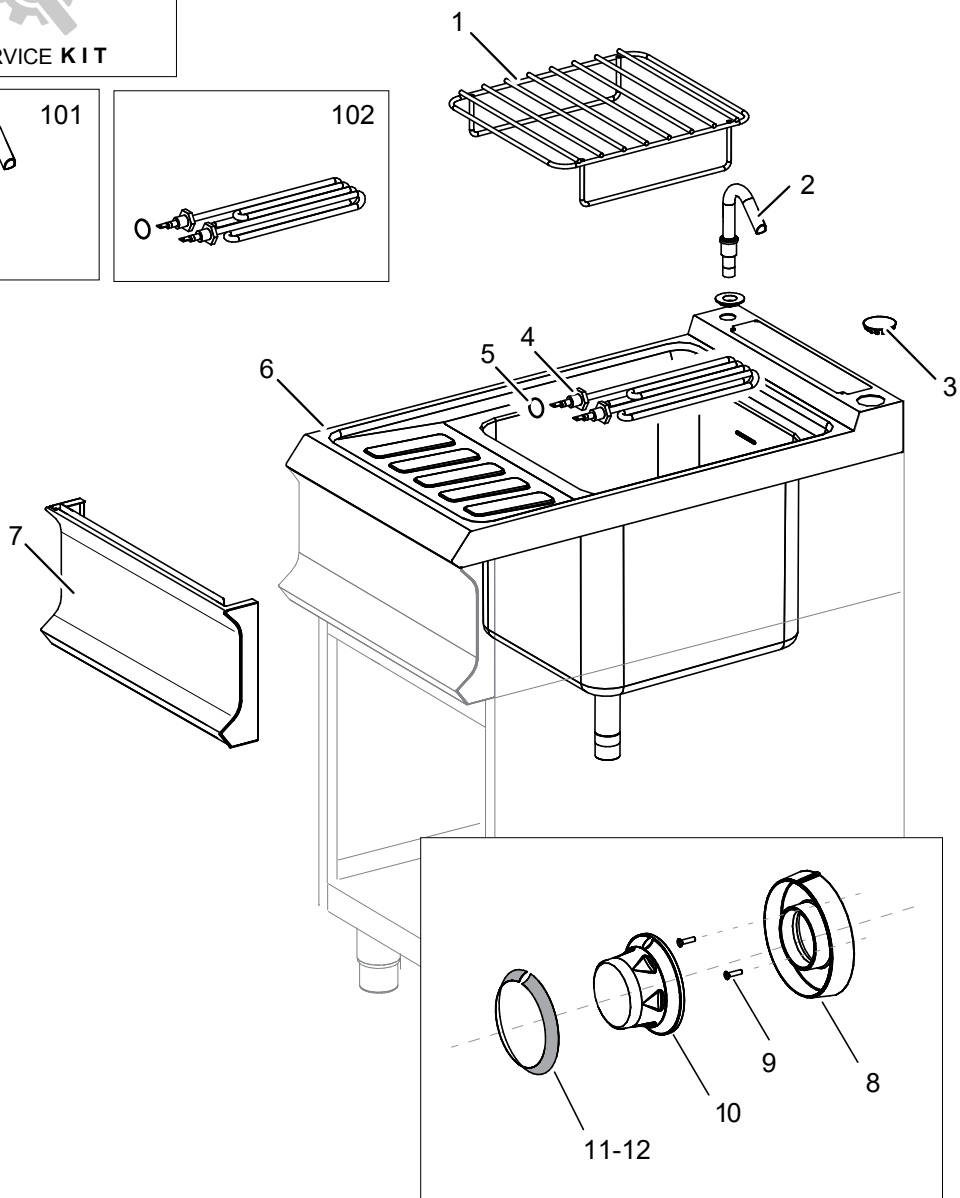
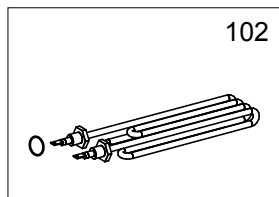
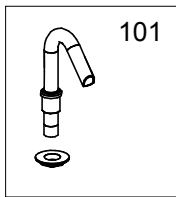
Le informazioni sono considerate non vincolanti. Le immagini rappresentate sono puramente indicative. Il produttore si riserva il diritto di apportare modifiche in qualsiasi momento senza preavviso.

Les informations données ne sont pas contraignantes. Les images montrées sont à titre indicatif. Le producteur se réserve le droit d'apporter des modifications sans préavis.

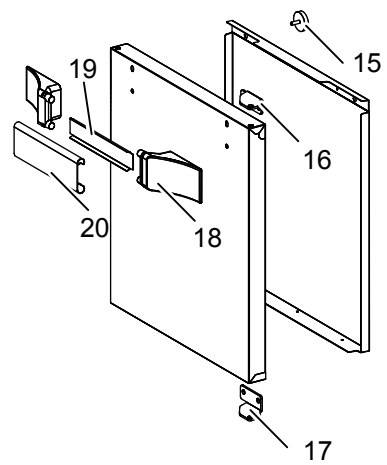
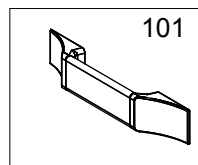
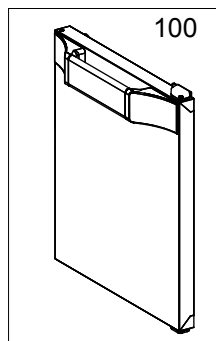
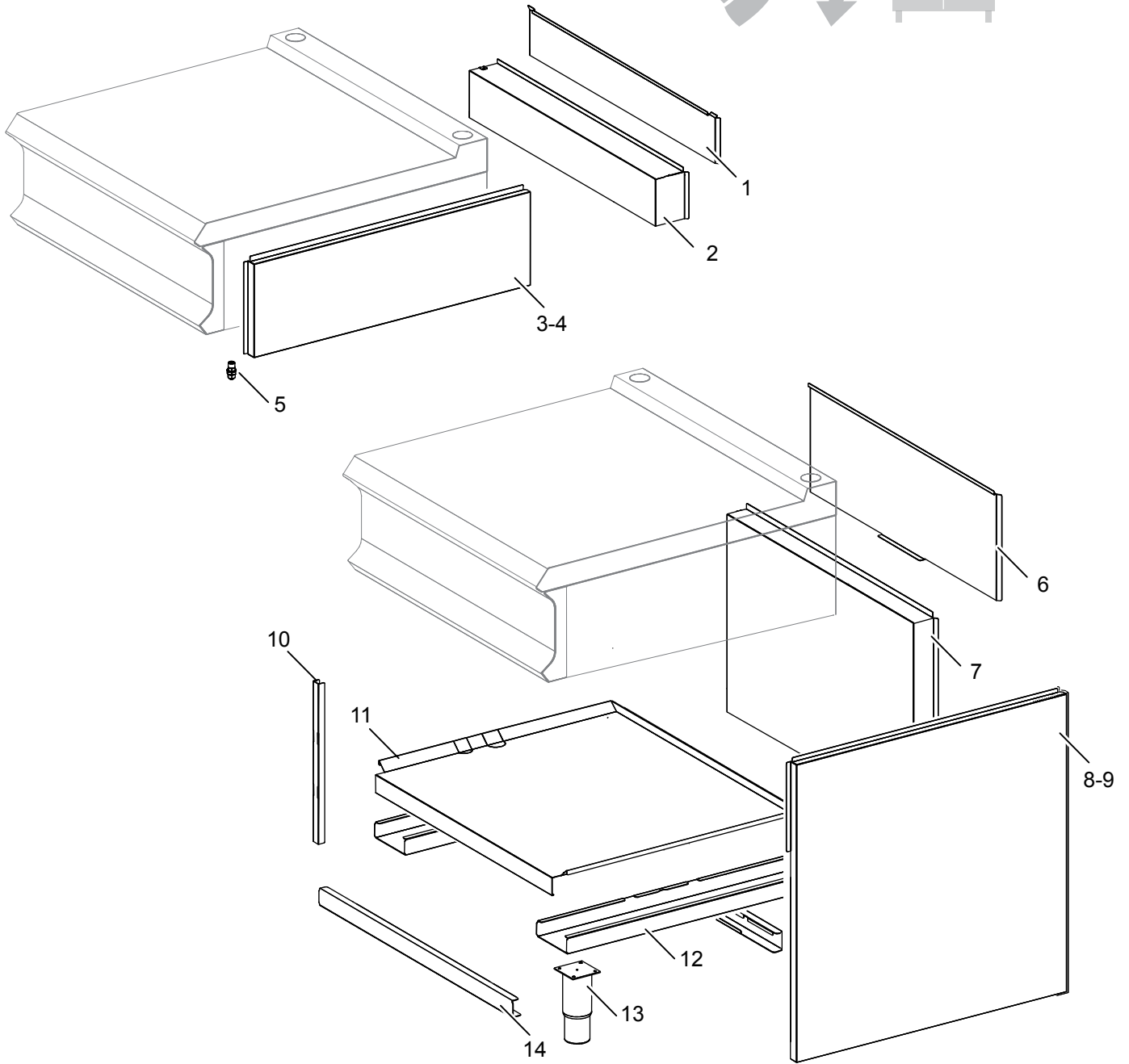
Die im vorliegenden Dokument aufgeführten Informationen und Bilder sind unverbindlich. Der Hersteller behält sich das Recht vor, jederzeit ohne vorherige Ankündigung Änderungen vorzunehmen

Info and drawing could be slightly different from reality and they cannot be considered as compelling. Manufacturer can modify info anytime without forewarning.

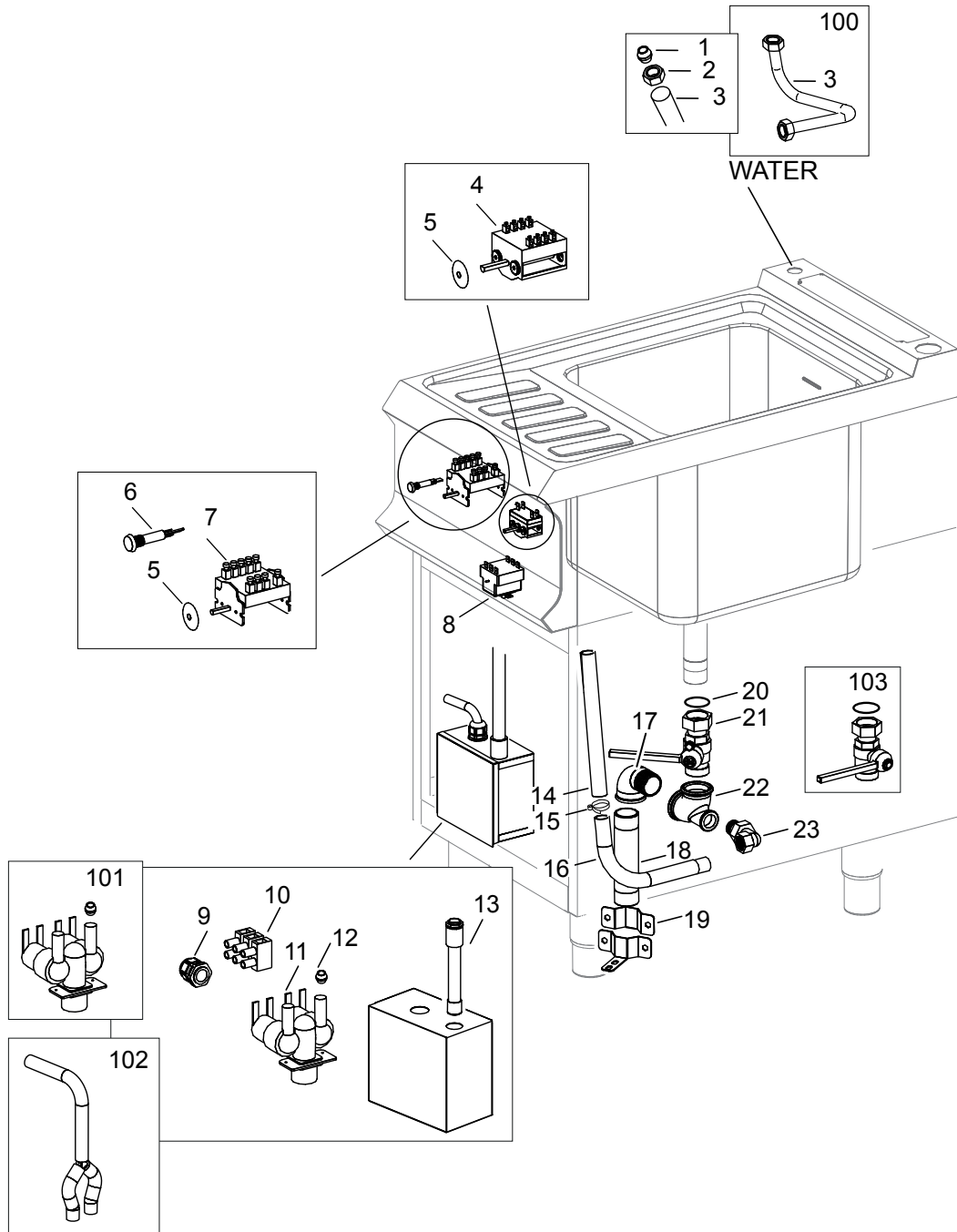
As Informações e desenhoS podem estar um pouco diferente da realidade e são puramente indicativas. O fabricante pode modificar estas informações a qualquer momento sem aviso prévio.



Nr.	Code	Title	Recommended
1.	RTCU700286	BASKET SUPPORT GRID	
2.	RTBF800041	WATER EROGATOR	✓
4.	RTCU700283	HEATING ELEMENT 1,85KW	✓
5.	RTCU700623	GASKET OR3062	✓
6.	202065	ARBEITSPLATTE + WANNE	
7.	202287	CONTROL PANEL	
10.	202200	COMMUTATOR KNOB	
11.	200348	SWITCH RING	
12.	200902	WATER LOAD KNOB RING	
14.	202046	CHIMNEY GRILL	
100.	ECS7000	RECOMMENDED PARTS FOR CPE74A	
101.	RTBF800041	WATER EROGATOR	✓
102.	RIC0004940	KIT HEATING ELEMENT CPE74	



Nr.	Code	Title	Recommended
6.	200036	<i>BACK SIDE TALL</i>	
7.	200033	<i>BACK SIDE LOWER</i>	
8.	200031	<i>LATERAL SIDE RIGHT</i>	
9.	200032	<i>LATERAL SIDE LEFT</i>	
11.	200678	<i>LOWER FLOOR</i>	
12.	200030	<i>CROSS FEET</i>	
13.	RTCU700277	<i>FOOT</i>	
14.	200029	<i>FRONT / REAR CROSS MEMBER</i>	
15.	181529	<i>DOOR MAGNET</i>	
16.	200065	<i>LEFT HINGE</i>	
17.	200064	<i>RIGHT HINGE</i>	
18.	201706	<i>HANDLE TERMINAL</i>	
20.	201926	<i>HANDLE</i>	
100.	RIC0005129	<i>CABINET DOOR COMPLETE</i>	
101.	RIC0005130	<i>HANDLE CUPBOARD</i>	



Nr.	Code	Title	Recommended
1.	RTCU900012	BICONE D.10	✓
2.	RTCU900013	NUT D.10 HEIGHT H. 14 MM	✓
3.	200358	WASHING SYSTEM PIPE	
4.	RTFOC00694	COMMUTATOR	✓
5.	RTCU800185	GASKET FOR COMMUTATOR ROD	✓
6.	166465	GREEN WARNING LIGHT	✓
7.	RTCP900036	COMMUTATOR	✓
8.	RTCP900074	SAFETY THERMOSTAT	✓
9.	RTBF800138	CHOCK	
10.	RTBF900045	TERMINAL BOARD	
11.	RTFOC00203	2 WAY ELECTROVALVE	✓
12.	172832	0,5 LT FLOW RATE SOLENOID VALVE/REGULAT	✓
13.	RTBF800178	CABLE PROTECTION HOSE + NUTS	
14.	MPG0M21T00	PIPE, PVC/22X32	
15.	RTBF800171	CABLE TIE	
16.	RTCU700322	OVERFLOW DRAIN PIPE	
17.	169318	CRANK	
18.	165912	DRAIN WATER PIPE	
19.	184754	PLATE	
20.	183846	GASKET	✓
21.	183863	WATER DRAIN TAP	✓
22.	RTBF800116	CONNECTOR	
23.	RTCP900066	CRANK	
100.	RIC0004941	KIT WATER DISTRIBUTOR PIPE CPE74	
101.	RTFOC00203-00	2 WAY ELECTROVALVE KIT WITH REGULATORS	✓
102.	RIC0004972	FEEDING KIT H2O	
103.	RIC0004944	KIT DRAIN TAP CPE74	