

CH100

*- HOOD TYPE DISHWASHER CUBE SQUARE BASKET 50x50 WITH
ELECTRIC RINSE-AID AND DETERGENT DISPENSER - ELECTRONIC*



Version n 1 - sn 202364454 - **** DGT115 on board ***

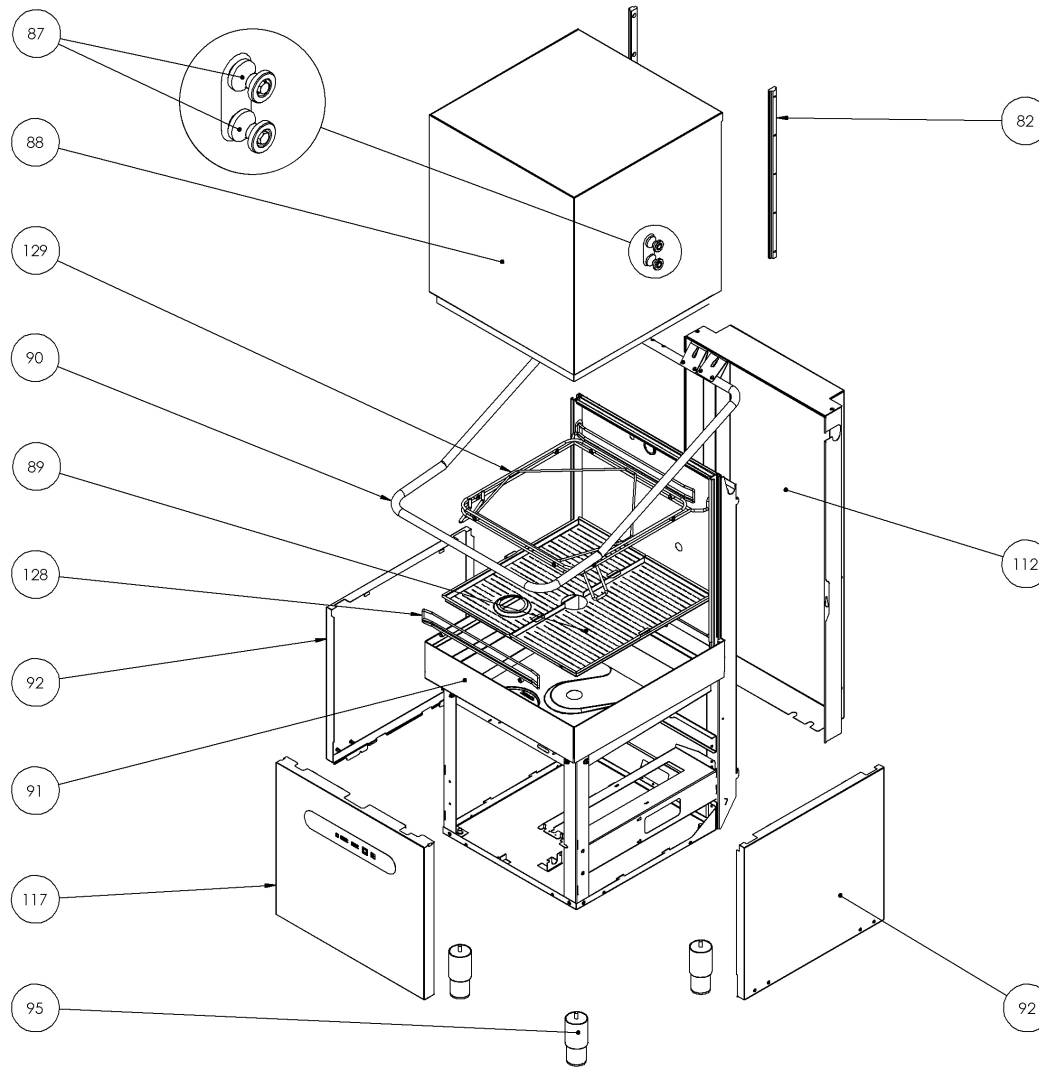


CH100

- HOOD TYPE DISHWASHER CUBE SQUARE BASKET 50x50 WITH ELECTRIC RINSE-AID AND DETERGENT DISPENSER - ELECTRONIC



Version n 1 - sn 202364454 - **** DGT115 on board ***



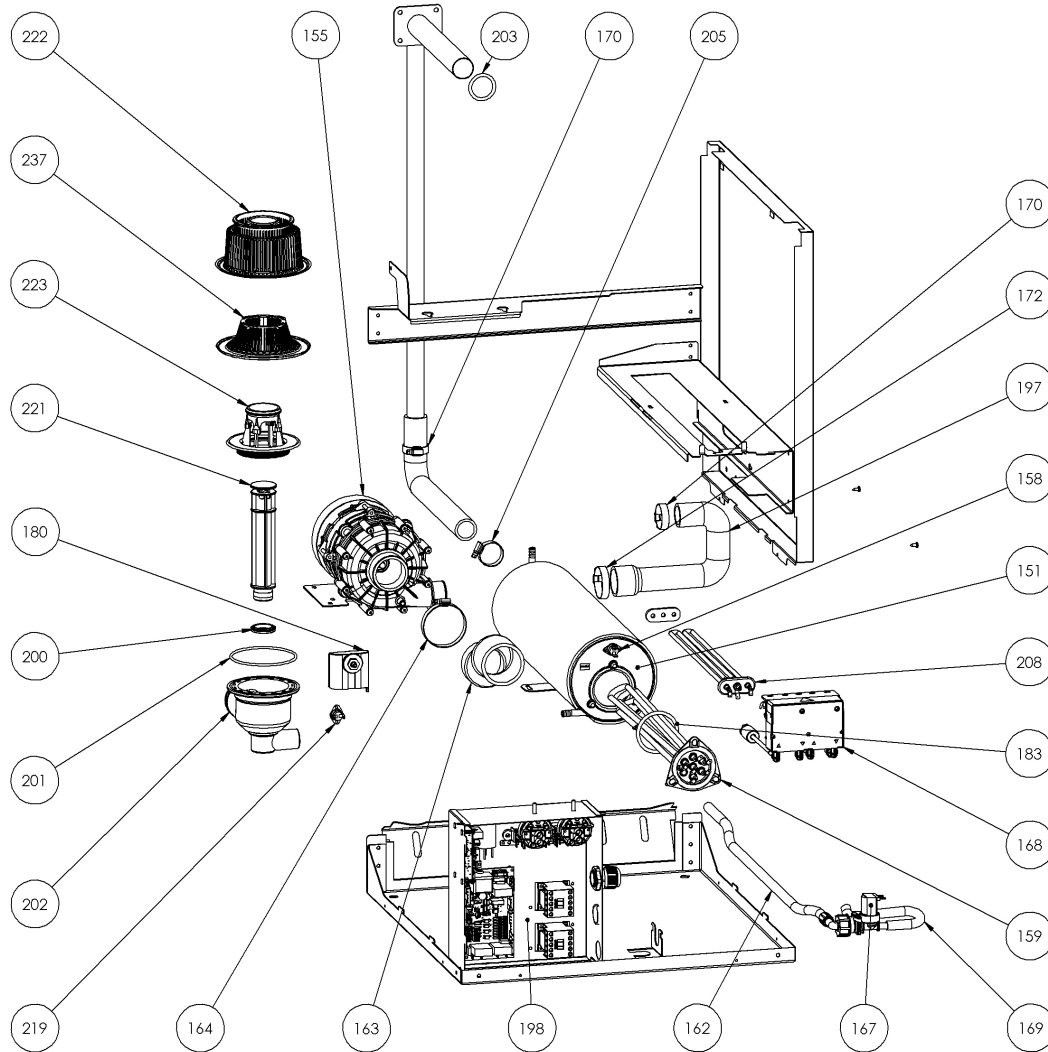
N	ITEM
82	1201046
87	1202040
88	1200545
90	1201002
95	1000093
128	1201072
129	1200575

CH100

- HOOD TYPE DISHWASHER CUBE SQUARE BASKET 50x50 WITH ELECTRIC RINSE-AID AND DETERGENT DISPENSER - ELECTRONIC



Version n 1 - sn 202364454 - **** DGT115 on board ***



N	ITEM
151	800421
152	560
158	103349
159	103432
160	103416
162	1305
163	540710
164	570
167	103370
168	1270K
169	1381
170	510
180	3283
183	103435
197	840705
200	104465
201	104445
202	104440
205	515
208	103408
219	103348
221	104466
222	104454
223	104451
233	110
234	117
236	3285
237	104459
238	1350
241	504
242	500

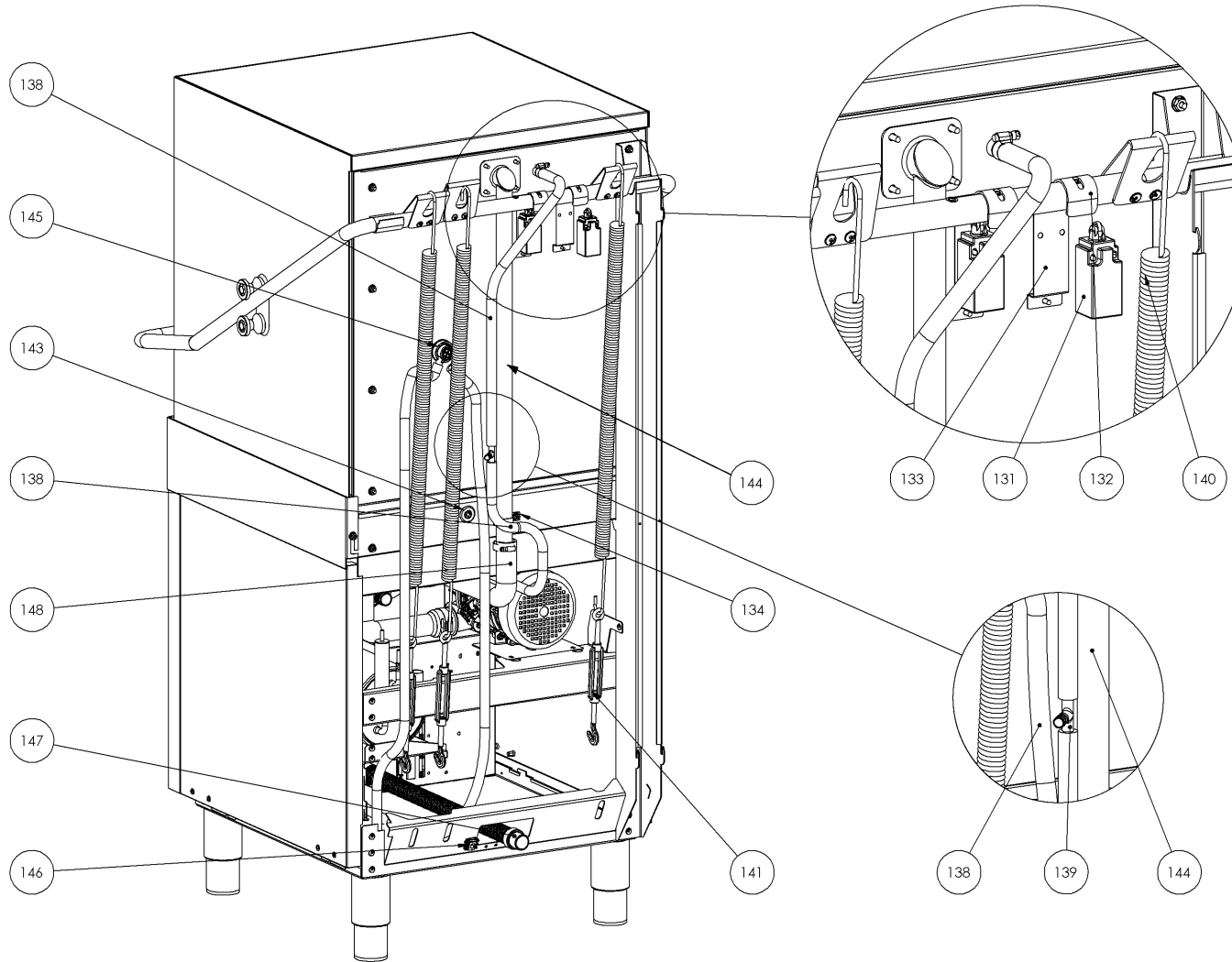
CH100

- HOOD TYPE DISHWASHER CUBE SQUARE BASKET 50x50 WITH ELECTRIC RINSE-AID AND DETERGENT DISPENSER - ELECTRONIC



Version n 1 - sn 202364454 - **** DGT115 on board ***

N	ITEM
132	1201001
133	1201004
136	253
138	1380
140	1203030
141	1203060
143	1347
145	1500
146	103555
147	1335

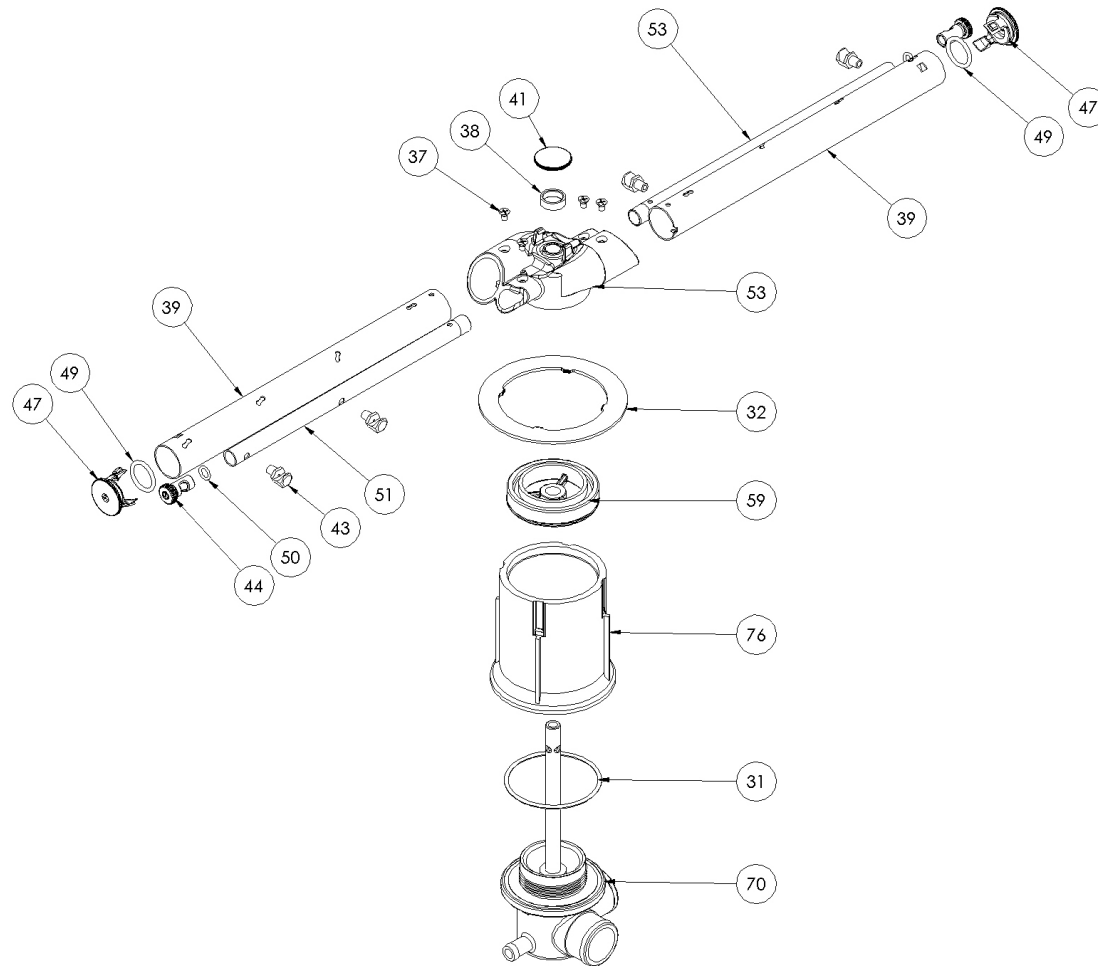


CH100

- HOOD TYPE DISHWASHER CUBE SQUARE BASKET 50x50 WITH ELECTRIC RINSE-AID AND DETERGENT DISPENSER - ELECTRONIC



Version n 1 - sn 202364454 - **** DGT115 on board ***



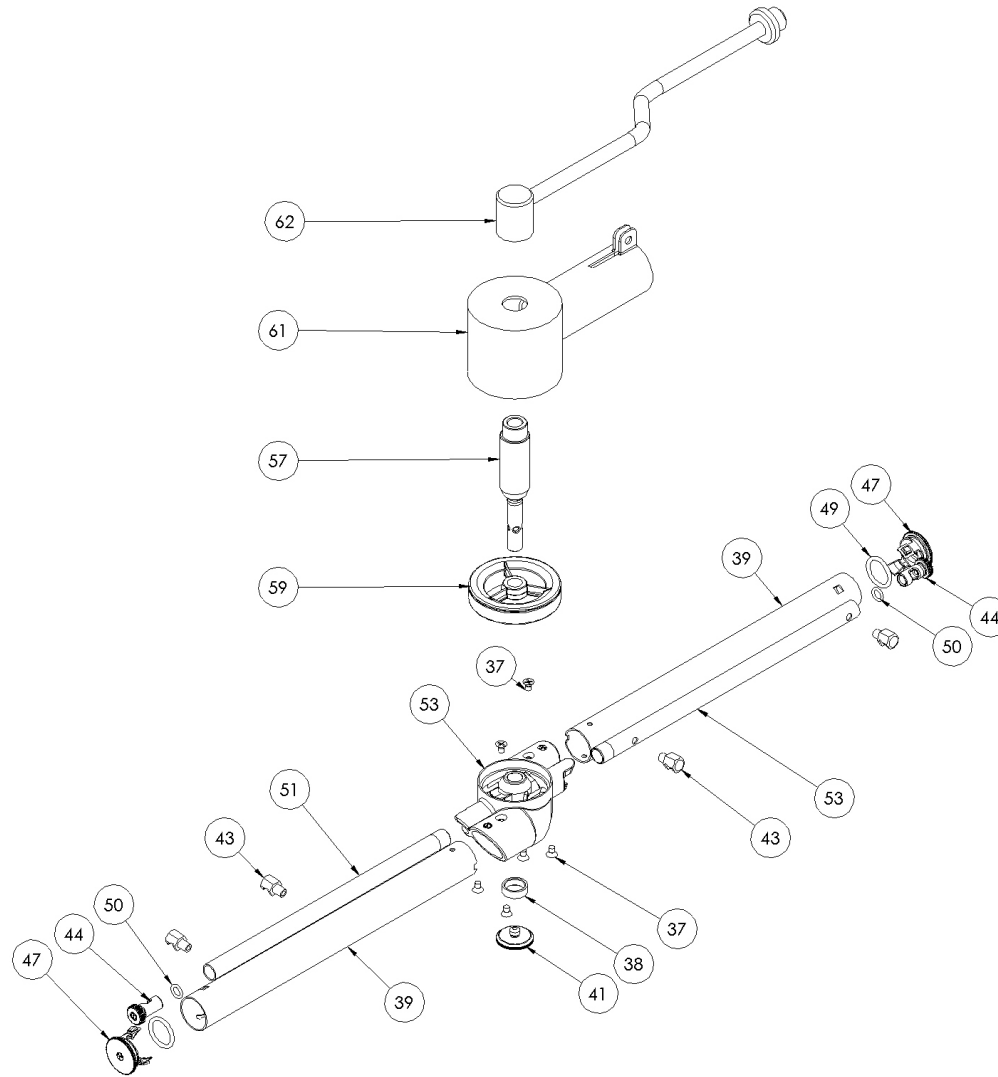
N	ITEM
31	104405
32	104139
38	104117
39	104790
41	104040
43	104000
44	104483
47	104482
49	104094
50	104093
51	104725
53	104480
54	104720
57	104086
59	104402
61	985145
62	104348
70	104410
74	214
76	104401

CH100

- HOOD TYPE DISHWASHER CUBE SQUARE BASKET 50x50 WITH
ELECTRIC RINSE-AID AND DETERGENT DISPENSER - ELECTRONIC



Version n 1 - sn 202364454 - **** DGT115 on board ***



N	ITEM
31	104405
32	104139
38	104117
39	104790
41	104040
43	104000
44	104483
47	104482
49	104094
50	104093
51	104725
53	104480
54	104720
57	104086
59	104402
61	985145
62	104348
70	104410
74	214
76	104401

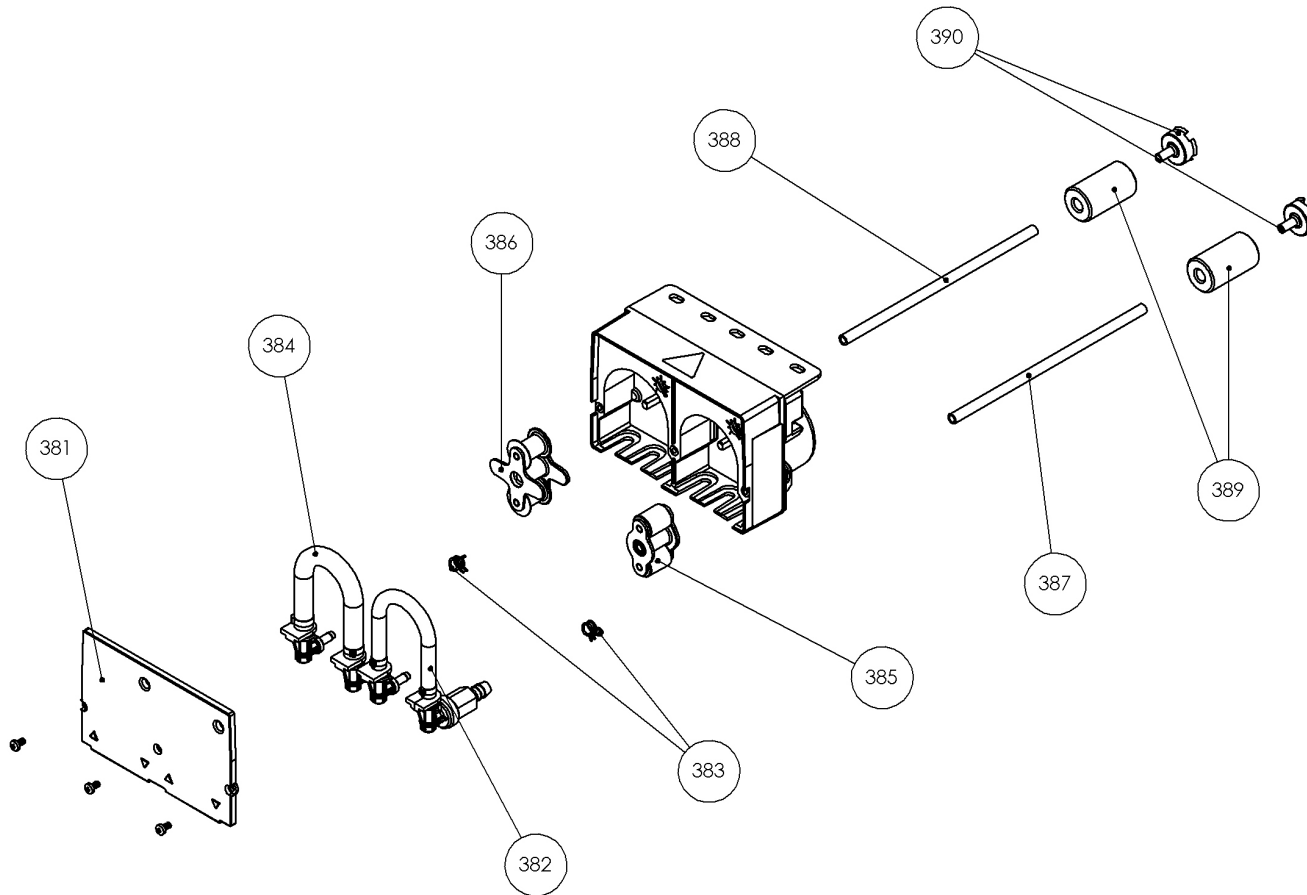
CH100

- HOOD TYPE DISHWASHER CUBE SQUARE BASKET 50x50 WITH ELECTRIC RINSE-AID AND DETERGENT DISPENSER - ELECTRONIC



Version n 1 - sn 202364454 - **** DGT115 on board ***

N	ITEM
381	1261
382	1216
383	503
384	1217
385	1211B
386	1211A
387	1420
388	1421
389	1215
390	1218



CH100

- HOOD TYPE DISHWASHER CUBE SQUARE BASKET 50x50 WITH ELECTRIC RINSE-AID AND DETERGENT DISPENSER - ELECTRONIC



N	ITEM	DESCRIPTION (ENG)	N	ITEM	DESCRIPTION (ENG)
2.82	1201046	SLIDING GUIDE IN BLACK PEHD	4.140	1203030	DRAFT SPRING FOR HOOD WIRE 6,5
2.87	1202040	PVC CYLINDER FOR SLIDING THE HANDLE	4.141	1203060	TIE ROD WITH HOOK AND LOOP M8
2.88	1200545	HOOD FOR DISHWASHER BASKET 50x50	4.143	1347	RUBBER CAP Ø17
2.90	1201002	STAINLESS STEEL HANDLE	4.145	1500	BACKFLOW VALVE COMPLETE WITH BALL, OR GASKET, FLAT GASKET, NUT, NUT COVER
2.95	1000093	ADJUSTABLE STAINLESS STEEL FOOT Ø60 H=15-21cm	4.146	103555	EQUIPOTENTIAL CLAMP
2.128	1201072	SIDE GUIDE/HOLDER FOR BASKET 490x50	4.147	1335	DRAIN PIPE L=2mt WITH Ø28 BEND AND Ø24 STRAIGHT SLEEVE
2.129	1200575	BASKET HOLDER IN POLISHED WIRE FOR HOOD TYPE DISHWASHER	5.31	104405	GASKET OR PLASTIC GROUP Ø60 Sp.2,62 NBR70°
3.151	800421	STAINLESS STEEL BOILER Ø140x475 THREE PHASE	5.32	104139	STAINLESS STEEL RING Ø70,5
3.152	560	STAINLESS STEEL STRIPS 60-63/21 W2	5.38	104117	CARBONGRAPHITE BUSH Øi=13,5 - Øe=17 - H=5,3mm
3.158	103349	SAFETY BOILER THERMOSTAT 105°C 16A MANUAL RESET	5.39	104790	TUBO LAVAGGIO (CAPOTTA) AISI303 Ø25x1 x 256 - 4 GETTI
3.159	103432	BOILER HEATING ELEMENT 5400W 220V	5.41	104040	STAINLESS STEEL KNURLED NUT
3.160	103416	OR HEATER GASKET WITH FLANGE NBR70Sh Ø 37,47 x 5,34mm	5.43	104000	STAINLESS STEEL RINSE JET AISI303 ES10X17
3.162	1305	WATER ENTRY PIPE MT 2 PVC CORDPLAST W/GASKETS	5.44	104483	RINSE ARM CAP
3.163	540710	SUCTION PIPE WITH GRID Ø60x71 L=125 EPDM	5.47	104482	WASH ARM CAP
3.164	570	STAINLESS STEEL STRIPS 60-80/12 W2	5.49	104094	GASKET OR C 2,62 - Øi 17,86 - NBR
3.167	103370	SOLENOID VALVE 180° COIL 220V-50/60Hz	5.50	104093	GASKET OR C 1,78 - Øi 6,75 - NBR
3.168	1270K	ELECTRIC RINSE-AID AND DETERGENT DISPENSER + WEIGHT + FILTER + NON-RETURN V	5.51	104725	RINSE HOSE AISI303 Ø12x1 x 223 - 2 JETS
3.169	1381	RUBBER PIPE 8X15 120°C AL MT Calorwater 10 Bar 120°C LL	5.53	104480	WASH/RINSE ARM GROUP
3.170	510	STRIP 25-40/12 W2B	5.54	104720	RINSE HOSE AISI303 Ø12x1 x 243 - 2 JETS
3.180	3283	AIR TRAP IN LOADED POLYPROPYLENE	5.57	104086	STAINLESS STEEL PIVOT Ø22 L=56 FOR STAINLEASS STEEL GROUP FOR HOOD TYPE DIS
3.183	103435	OR HEATER 4,5-6-9-12 KW GASKET WITH FLANGE	5.59	104402	INSERT FOR PLASTIC FIXED BODY
3.197	840705	INLET HOSE FOR PUMP 8202	5.61	985145	GRUPPO INOX COLONNA LAVAGGIO 985
3.200	104465	GASKET FOR OVERFLOW PIPE NBR75 BLACK	5.62	104348	STAINLESS STEEL CONNECTION FOR UPPER RINSE OF NEW 1200
3.201	104445	OR GASKET MANIFOLT 101,20x3,53 NBR70	5.70	104410	LONG PIN PLASTIC UNIT
3.202	104440	SUCTION-DRAIN GROUP FOR DISHWASHER	5.74	214	SCREW M4x6 TSP+ INOX
3.205	515	STAINLESS STEEL STRIP 30-45 W2B BAND 12	5.76	104401	PLASTIC FIXED BODY
3.208	103408	TANK HEATING ELEMENT 2600W 240V	6.31	104405	GASKET OR PLASTIC GROUP Ø60 Sp.2,62 NBR70°
3.219	103348	SAFETY THERMOSTAT 80°C 16A MANUAL RESET	6.32	104139	STAINLESS STEEL RING Ø70,5
3.221	104466	OVERFLOW PIPE FOR FRONT-LOADING GLASSWASHER AND DISHWASHERS L=191mm (WITHOUT)	6.38	104117	CARBONGRAPHITE BUSH Øi=13,5 - Øe=17 - H=5,3mm
3.222	104454	EXTERNAL SUCTION FILTER FOR DISHWASHER Ø154	6.39	104790	TUBO LAVAGGIO (CAPOTTA) AISI303 Ø25x1 x 256 - 4 GETTI
3.223	104451	SLEEVE FOR SUCTION-DRAIN GROUP OF DISHWASHER FOR INTERNAL/EXTERNAL FILTER Ø	6.41	104040	STAINLESS STEEL KNURLED NUT
3.233	110	KNURLED FLANGED STAINLESS STEEL NUT M5	6.43	104000	STAINLESS STEEL RINSE JET AISI303 ES10X17
3.234	117	STAINLESS STEEL SCREW M5X12 T1/2T+	6.44	104483	RINSE ARM CAP
3.236	3285	PIPE FOR AIR TRAP	6.47	104482	WASH ARM CAP
3.237	104459	INTERNAL SUCTION FILTER WIDE MESH FOR FRONT-LOADING DISHWASHERS, HOOD TYPE	6.49	104094	GASKET OR C 2,62 - Øi 17,86 - NBR
3.238	1350	DRAIN CAP FOR BOILER Ø25 H27 POM	6.50	104093	GASKET OR C 1,78 - Øi 6,75 - NBR
3.241	504	STRAP 12-22/9 W2	6.51	104725	RINSE HOSE AISI303 Ø12x1 x 223 - 2 JETS
3.242	500	STRIP 10-16/9 W2B	6.53	104480	WASH/RINSE ARM GROUP
4.132	1201001	MICROSWITCH ACTIVATION LEVER	6.54	104720	RINSE HOSE AISI303 Ø12x1 x 243 - 2 JETS
4.133	1201004	MICROSWITCH HOLDING BRACKET	6.57	104086	STAINLESS STEEL PIVOT Ø22 L=56 FOR STAINLEASS STEEL GROUP FOR HOOD TYPE DIS
4.136	253	SCREW M8X40 TE INOX	6.59	104402	INSERT FOR PLASTIC FIXED BODY
4.138	1380	RUBBER HOSE 10X17 120°C AT A METER Calorwater 10 Bar 120°C LL	6.61	985145	GRUPPO INOX COLONNA LAVAGGIO 985

CH100

- HOOD TYPE DISHWASHER CUBE SQUARE BASKET 50x50 WITH ELECTRIC RINSE-AID AND DETERGENT DISPENSER - ELECTRONIC



N	ITEM	DESCRIPTION (ENG)
6.62	104348	STAINLESS STEEL CONNECTION FOR UPPER RINSE OF NEW 1200
6.70	104410	LONG PIN PLASTIC UNIT
6.74	214	SCREW M4x6 TSP+ INOX
6.76	104401	PLASTIC FIXED BODY
7.381	1261	FRONT PLEXIGLASS FOR DOUBLE DISPENSER
7.382	1216	SILICON TUBE FOR ELECTRIC RINSE-AID DISPENSER RACC.90° WITH NON-RETURN VALV
7.383	503	STAINLESS STEEL STRIP ALL 6-6,7
7.384	1217	SANTOPRENE TUBE FOR ELECTRIC DETERGENT DISPENSER 90° CONNECTION
7.385	1211B	INNER ROLLER FOR ELECTRIC RINSE-AID DISPENSER
7.386	1211A	INNER ROLLER FOR DETERGENT DOSER
7.387	1420	BLUE PIPE 6X4 MM FOR RINSE-AID
7.388	1421	YELLOW PIPE 6X4 MM FOR DETERGENT
7.389	1215	CERAMIC WEIGHT + FILTER FOR DISPENSER SUCTION PIPE
7.390	1218	FILTER FOR DISPENSER SUCTION PIPE

N	ITEM	DESCRIPTION (ENG)
---	------	-------------------