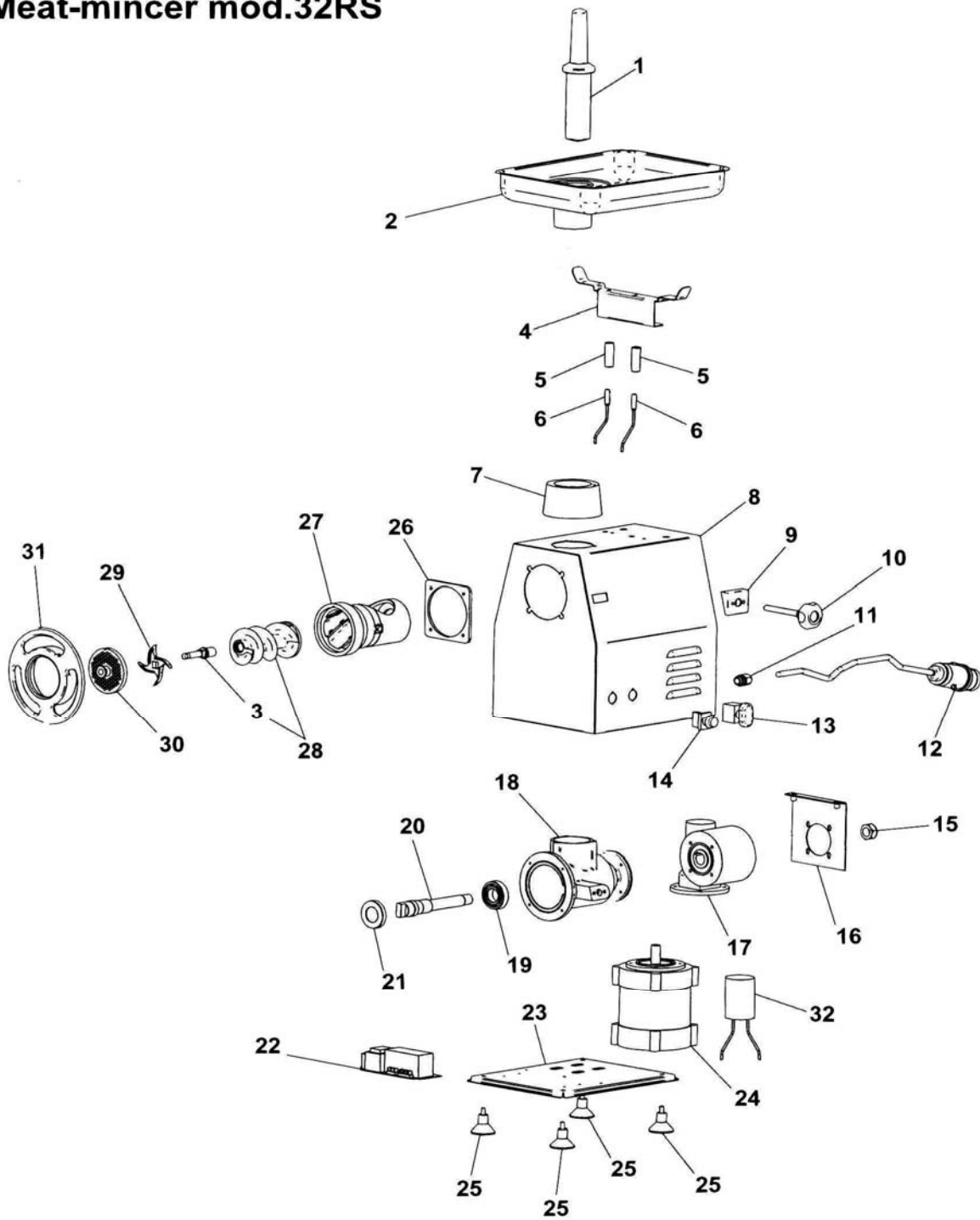


Tritacarne mod.32RS

Meat-mincer mod.32RS



TRITACARNE MOD.32RS MEAT-MINCER MOD.32RS

Rif No	Codice Code		Caratteristiche Characteristics	Descrizione Description	
1	SL0841	☺		Pestello	Pusher
2	SA1010			Tramoggia	Hopper
3	SL2520			Perno	Pivot
4	SL3009			Supporto	Support
5	SL3012			Tube	Tube
6	32W3240	☺		Microinterruttore	Microswitch
7	SL3004			Mozzo	Hub
8	SL3008			Carcassa	Housing
9	SL0249			Flangia	Flange
10	SL2996	☺		Pomello	Knob
11	SL1052		PG11	Pressacavo	Cable clamp
12	SL1841		3Ph+Gnd	Cavo elettrico	Electric cable
12	SL1671		1Ph+N+Gnd	Cavo elettrico	Electric cable
13	SL1466	☺	Reverse	Pulsante	Push button
14	SL0945	☺	Stop	Pulsante	Push button
15	MP0257		M22x1.5	Dado	Nut
16	SL2505			Staffa	Bracket
17	SL2356			Riduttore	Gear box
18	SL3002			Corpo	Body
19	SL2735		6206 2RS	Cuscinetto	Bearing
20	SL2530			Albero	Shaft
21	SL3006		35x62x10	Paraolio	Oil seal
22	SL0999	☺		Scheda elettronica	Electronic card
23	SL3115		Three-phase	Fondo	Bottom
23	SL3114		Single-phase	Fondo	Bottom
24	SA1003		400V/3Ph/50Hz	Motore	Motor
24	SL2894		230V/1Ph/50Hz	Motore	Motor
25	SL1610		Single-phase	Piedino	Foot
26	SL3007			Flangia	Flange
27	SL3005			Bocchettone	Sleeve
28	SA2300	☺		Elica	Screw shaft
29	//////////	☺		Coltello	Cutter
30	//////////	☺		Piastra	Plate
31	SL2420			Volantino	Handwheel
32	SL3088		55µF	Condensatore	Condenser

(*): fuori produzione / out of production

☺ : ricambio consigliato / spare part suggested