



ELETTRICO
ELECTRIC
ELECTRIQUE
ELEKTRISCHE
ELECTRICO

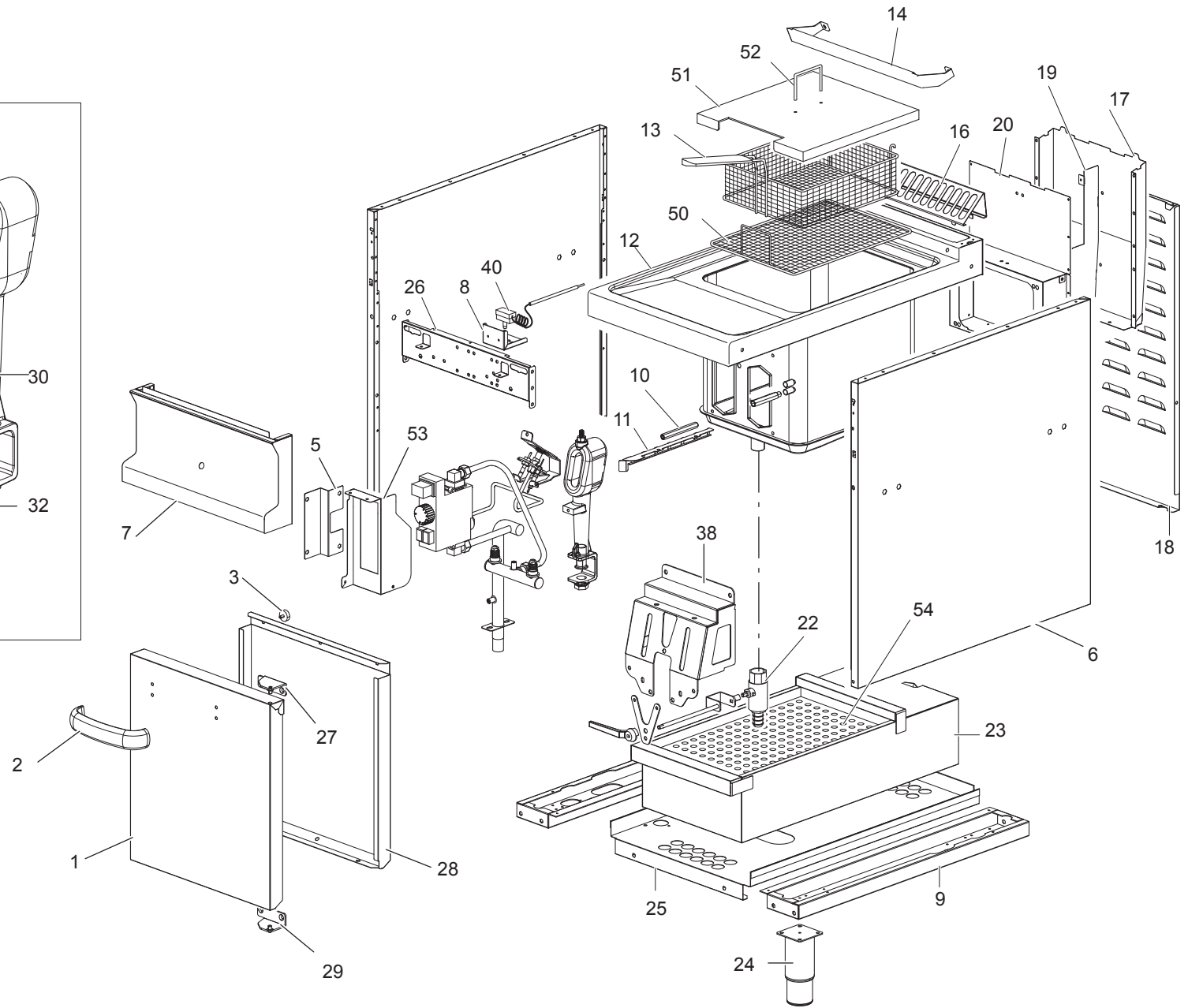
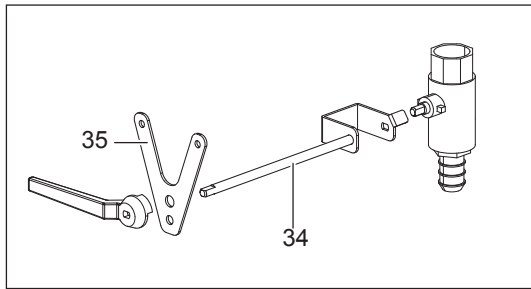
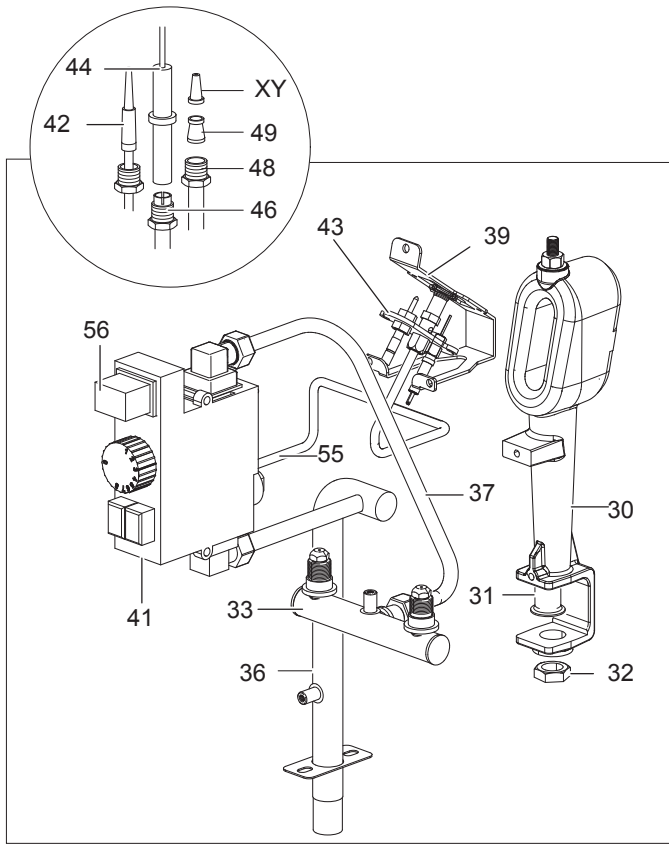
GAS
GASBACK
GAZ

CON FORNO
WITH OVEN
AVEC FOUR
MIT OFEN
CON HORNO

CON ARMADIO
WITH CABINET
AVEC CABINET
MIT SCHRANK
CON GABINETE



APFG - 47P



APACH APFG-47P

APFG-47P

RICAMBI CONSIGLIATI - RECOMMENDED SPARE PARTS

| TAVOLA | POS. | CODICE | ITALIANO | FRANCESE | INGLESE | TEDESCO |
|-------------|------|-------------------|---|-------------------------------|------------------------------|------------------------|
| TAV 700-037 | 1 | 179230 | PORTA A. NSA477 | PORTE DROITE | RIGHT DOOR | RECHTE TÜR |
| TAV 700-037 | 2 | 168204+RTCU800001 | MANIGLIA A.NSA47+TERMINALI | POINGÉE GFT49 | HANDLE GFT49 | HANDGRIFF GFT49 |
| TAV 700-037 | 3 | RTTAV00093 | AT.MAGNETICO RPV/22 NSA6/7/ | ATTAQUE MAGNETIQUE | MAGNETIC CONNECTION | MAGNETANSCHLUSS |
| TAV 700-037 | 5 | 180643 | SUP.VALV.GF477 | SOUPAPE DE SÛRETÉ | SAFETY VALVE | SICHERHEITSENTIL |
| TAV 700-037 | 6 | 173523 | FIANCO G4SF77 | CÔTÉ | SIDE | SEITE |
| TAV 700-037 | 7 | 174894 | AS.CRUSCOTTO GF477 | PANNEAU DE CONTRÔLE | DASH BOARD | STIRNBRETT |
| TAV 700-037 | 8 | PACU700754 | SQ.P/TERMOST.L.GF47 | THERMOSTAT SUPPORT | THERMOSTAT SUPPORT | BRENNERVERSORGUNG |
| TAV 700-037 | 9 | 166557 | TRA.P/PIEDINI GF477/NSA477 | TRAVERSE | CROSSBAR | QUERTRÄGER |
| TAV 700-037 | 10 | 163538 | DISTANZ.SUP.BRUC.GF47/1 | APPUI BURNER | SUPPORT BURNER | BRENNER |
| TAV 700-037 | 11 | 173308 | SUPP.T.L.SIC.POS. | SUPPORT | SUPPORT | HALTERUNG |
| TAV 700-037 | 12 | 174717+174785 | AS.PIANO+VASCA GF477+CAMINETTO SUP. | CUVE | TANK | BEHÄLTER |
| TAV 700-037 | 13 | A770000150 | A770046.CEST.FRIGG.LT.10/12/14 | BASKET | BASKET | WARENKORB |
| TAV 700-037 | 14 | 180875 | SQ.P/CESTELLO GF477 | CHEVILLE POUR CROC | PIN FOR TANKE | SCHRAUBE KORBHAKEN |
| TAV 700-037 | 16 | 167732 | GRIGLIA CAM.G2S77 | GRILLE POUR CHEMINÉE | CHIMNEY GRILL | SCHORNSTEINROST |
| TAV 700-037 | 17 | 166571 | PARETE POST.CAM.INT.GF477B | PAROI ARRIÈRE CHEMINÉE | FLUE REAR WALL | RÜCKWAND |
| TAV 700-037 | 18 | 166552 | POSTERIORE INOX GF477 | INOX PANNEAU POSTÉRIEURE | INOX BACK PANEL | INOX RÜCKWAND |
| TAV 700-037 | 19 | 166572 | PARATIA CAM.INT.GF477B | PAROI CHEMINÉE | FLUE WALL | VORDERWAND |
| TAV 700-037 | 20 | 166570 | PARETE ANT.CAM.INT.GF477B | PAROI AVANT CHEMINÉE | FLUE FRONT WALL | VORDERWAND |
| TAV 700-037 | 22 | 177037 | RUBINETTO SCARICO OLIO + MANIGLIA | ROBINET HUILE DE VINTAGE | ROBINET OIL DRAIN | ÖL GIEBEN |
| TAV 700-037 | 23 | 173259 | VASCA R/OLIO GF49/2 | CUVE HUILE | OIL TANK | ÖLWANNE |
| TAV 700-037 | 24 | RTCU700277 | PIEDINO+T.S.G4SF7/145 | PIED | FOOT | FUSS |
| TAV 700-037 | 25 | 166550 | PI.INF.INOX GF477 | PLAN INFÉRIEUR | LOWER PLAN | UNTERE EBENE |
| TAV 700-037 | 26 | 166554 | TRA.UN.FIANCHI ANT.GF477 | TRAVERSE | CROSSBAR | QUERTRÄGER |
| TAV 700-037 | 27 | 176895 | AS.CERN.P.A.DX NSA49 | CHARNIÈRE PORTE DROITE | RIGHT DOOR HINGE | RECHTE TÜRANGEL |
| TAV 700-037 | 28 | 179231 | C/PORTA A.INOX NSA477 | INOX CONTRE PORTE | INOX COUNTER DOOR | INOX GEGENTÜR |
| TAV 700-037 | 29 | 176894 | AS.CERN.P.A.SX NSA49 | CHARNIÈRE PORTE GAUCHE | LEFT DOOR HINGE | LINKE TÜRANGEL |
| TAV 700-037 | 30 | 161819 | AS.BRUC.+TAPPO GF25S | BRÛLEUR | BURNER | BRENNER |
| TAV 700-037 | 31 | RTCU700584 | REGOLAT.ARIA BRUC.GF47/18X42 1815130180 | RÉGULATEUR AIR | AIR REGULATOR | LUFTREGLER |
| TAV 700-037 | 32 | RTCP800094 | C/DADO 3/8"ACC.207456 | C/ECROU | C/NUT | C/MUTTER |
| TAV 700-037 | 33 | 179307 | AS.SUP.INIET.BRUC.GF15S/1 ZINC. | TUBE D'ALIMENTATION BRÛLEUR | BURNER PIPE | BRENNERVERSORGUNG |
| TAV 700-037 | 34 | 180479 | RINVIO RUB.SCA.OLIO GF477 | DE DECHARGE DE HUILE | OIL DISCHARGE TAP | ÖLASSHAHN |
| TAV 700-037 | 35 | 165407 | SUP.ASTA RUB.SCA.OLIO GF15S/1 | ROBINET DE DECHARGE DE HUILE | OIL DISCHARGE TAP | ÖLASSHAHN |
| TAV 700-037 | 36 | 166579 | AS.RAMPA GF477 ZINC. | COLLECTEUR | COLLECTOR | SPEISERAMPE |
| TAV 700-037 | 37 | 179308 | TU.AL.BRUC.GF477 ALL. | TUBE D'ALIMENTATION BRÛLEUR | FEEDING PIPE FOR BURNER | BRENNERVERSORGUNGSRÖHR |
| TAV 700-037 | 38 | 165969 | SUP.BRUC.GF47/3 | BRÛLEUR | BURNER | BRENNER |
| TAV 700-037 | 39 | 165122 | SQ.P/PILOTA 3V.GF15S/1 | EGUERRE | CREW | SQUADRETTA |
| TAV 700-037 | 40 | 180499 | T.L.SIC.POS. T225°C-EGO - 56.10549.670 | THERMOSTAT LIMITATEUR | THERMOSTAT LIMIT | THERMOSTAT |
| TAV 700-037 | 41 | 167549 | CORPO VALVOLA GF477 | VALVE | VALVE | VENTIL |
| TAV 700-037 | 42 | 171855 | T/COPPIA 75/S53 GF47 INT/BIF G1918276 | THERMOCOUPLE | THERMOCOUPLE | THERMOELEMENT |
| TAV 700-037 | 43 | RTCU700464 | PILOTA 3V.GF47T SIT0160032 | VEILLEUSE | PILOT | PILOTBRENNER |
| TAV 700-037 | 44 | RTCU900010 | CAND.ROT.FT4 CAST771492 | CANDLE | CANDLE ROT. | CANDLE |
| TAV 700-037 | 46 | RTCU900215 | RACCORDO CAND. PILOTA | RACCORD POUR BOUGIE VEILLEUSE | FITTING FOR PILOT SPARK PLUG | ANSCHLUSSTÜCK |
| TAV 700-037 | 48 | RTCU900019 | CALOTTA D.6 | ÉCROU Ø6 | NUT Ø6 | MUTTER Ø6 |
| TAV 700-037 | 49 | RTCU900018 | BICONO D.6 | BICONE Ø6 | BICONE Ø6 | ZWEIKEGEL Ø6 |
| TAV 700-037 | 50 | RTCU700448 | GRIGLIA SUPPORTO CESTELLO | GRILLE SUP.PANIER | GRATE FOR BASKET | ROST, OB. KORB |
| TAV 700-037 | 51 | 166648 | COPERCHIO VASCA | COUVERCLE CUVE | TANK COVER | DECKEL, TANK |
| TAV 700-037 | 52 | RTBF800020 | MANIGLIA GF45/47 892/A CROM.L. | POINGÉE | HANDLE | HANDGRIFF |
| TAV 700-037 | 53 | RTCU900221 | COPERCHIO VALV.SIT0903052 | COUVERCLE | COVER | DECKEL |
| TAV 700-037 | 54 | 173272 | FILTRO VASCA RACCOGLI OLIO | CUVE A HUILE+FILTRO | OIL TANK FILTRES | ÖLTROPFSCHALE+FILTER |

| | | | | | | |
|-------------|----|---------------------|--------------------|-----------------------|------------------|-------------------------|
| TAV 700-037 | 55 | 173400 | TU.PILOTA GF477/DX | TUBE VEILLEUSE DROITE | RIGHT PILOT PIPE | RECHTE PILOTBRENNERROHR |
| TAV 700-037 | 56 | RTCU700020 | ACCENSIONE VALV. | VALVE | VALVE | VENTIL |
| TAV 700-037 | XY | VEDI MANUALE UGELLI | INIETTORE | INJECTEUR VEILLEUSE | PILOT INJECTOR | PILOTBRENNEREINSPRITZE |