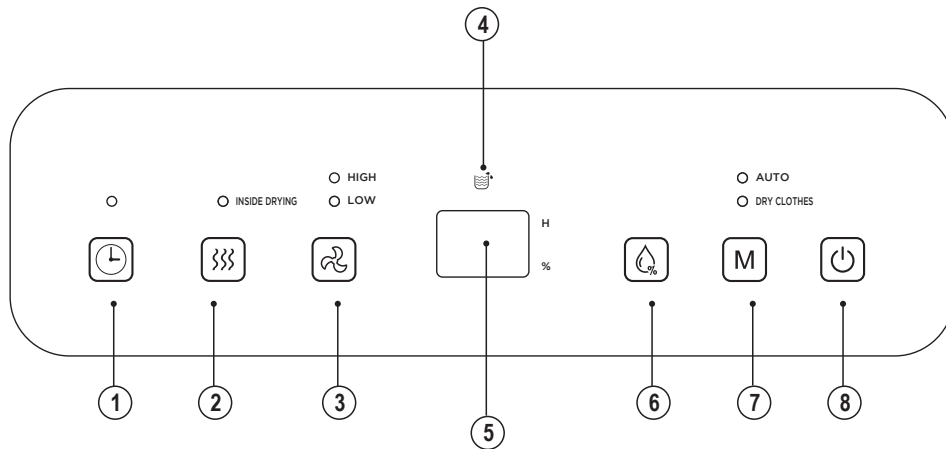
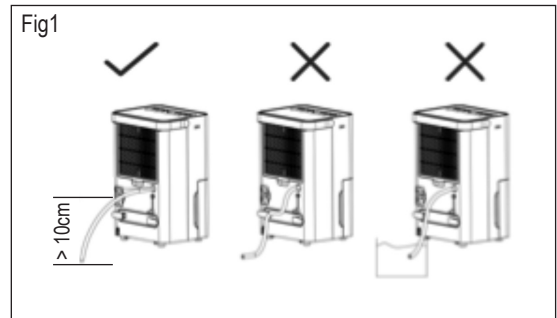
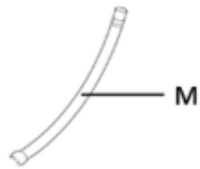
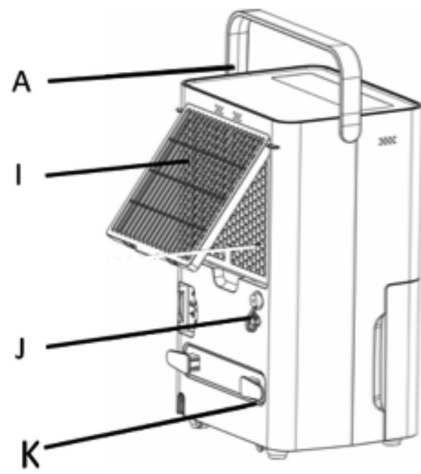
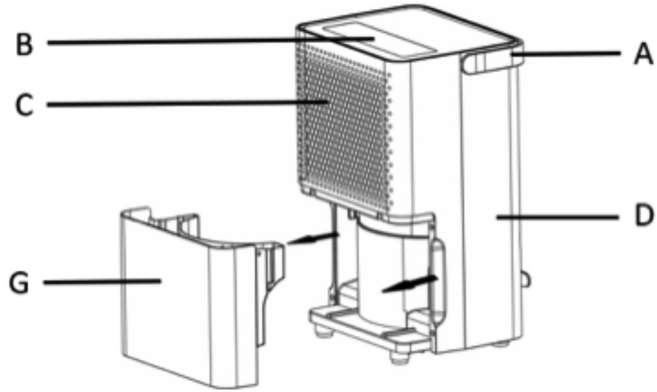
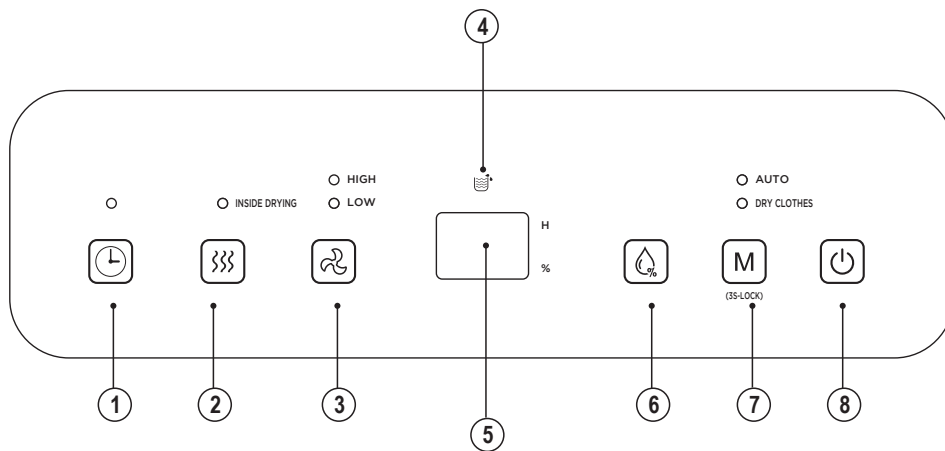
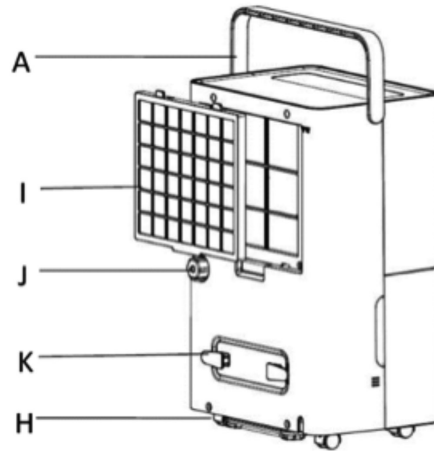
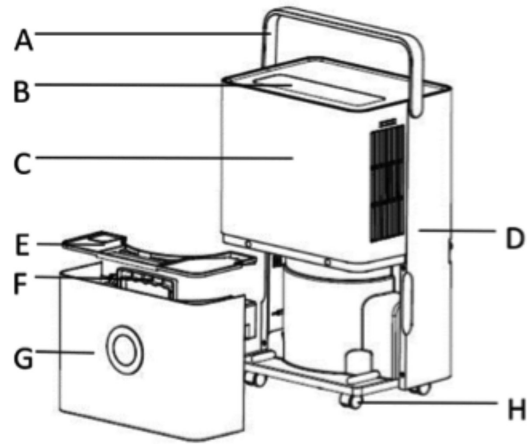


BXDH12E



BXDH20E



DEHUMIDIFIER

BXDH12E

BXDH20E

Dear customer,

Many thanks for choosing to purchase a BLACK+DECKER brand product.

Thanks to its technology, design and operation and the fact that it exceeds the strictest quality standards, a fully satisfactory use and long product life can be assured.



Please do not install or use your dehumidifier before you have carefully read this manual. Please keep this instructions manual for an eventual product warranty and for future reference.

WARNING

- ◆ Do not use means to accelerate the defrosting process or to clean, other than those recommended by the manufacturer.
- ◆ The appliance shall be stored in a room without continuously operating ignition sources (for example: open flames, an operating gas appliance or an operating electric heater).
- ◆ Do not pierce or burn.
- ◆ Be aware the refrigerants may not contain an odour.
- ◆ Appliance shall be installed, operated and stored in a room with a floor area larger than 4 m².

WARNING

- ◆ Specific information regarding appliances R290 refrigerant gas.
- ◆ Thoroughly read all of the warnings.
- ◆ When defrosting and cleaning the appliance, do not use any tools other than those recommended by the manufacturing company.
- ◆ The appliance must be placed in an area without any continuously sources of ignition (for example: open flames, gas or electrical appliances in operation).
- ◆ Do not puncture and do not burn.
- ◆ This appliance contains 52 g of R290 refrigerant gas.
- ◆ R290 is a refrigerant gas that complies with the European directives on the environment. Do not puncture any part of the refrigerant circuit.
- ◆ If the appliance is installed, operated or stored in a non-ventilated area, the room must be designed to prevent to the accumulation of refrigerant leaks resulting in a risk of fire or explosion due to ignition of the refrigerant caused by electric heaters, stoves, or other sources of ignition.
- ◆ The appliance must be stored in such a way as to prevent mechanical failure.
- ◆ Individuals who operate or work on the refrigerant circuit must have the appropriate certification issued by an accredited organization that ensures competence in handling refrigerants according to a specific evaluation recognized by associations in the industry.
- ◆ Repairs must be performed based on the recommendation from the manufacturing company. Maintenance and

repairs that require the assistance of other qualified personnel must be performed under the supervision of an individual specified in the use of flammable refrigerants.

SAFETY ADVICE AND WARNINGS

- ◆ This appliance may be used by children aged 8 years and over and persons with reduced physical, sensory or mental capabilities or lack of experience and knowledge, if they have been given appropriate supervision or training in the use of the appliance in a safe and Understand the dangers involved.
- ◆ This appliance is not a toy. Children should be supervised to ensure that they do not play with the appliance.
- ◆ Do not allow children to perform cleaning and maintenance without supervision.
- ◆ Install the appliance in accordance with national wiring regulations.
- ◆ Leave a space of 50 cm between walls or other obstacles and the appliance. Do not cover or obstruct the sides of the appliance, leaving at least 50 cm space around the appliance.
- ◆ The product requires adequate ventilation in order to function properly.
- ◆ If the mains connection is damaged, it must be replaced. Take the appliance to an authorized service center. Do not attempt to disassemble or repair it yourself as it may be dangerous.
- ◆ This appliance is intended for household use only, not for professional or industrial use.
- ◆ Before connecting the appliance, check that the voltage indicated on the nameplate matches the voltage on the rating plate.
 - ◆ Connect the appliance to a power socket that supports at least 10 amps.
 - ◆ The appliance plug must match the electrical socket of the socket. Never modify the plug. Do not use plug adapters.
 - ◆ Do not force the connecting cable. Never use the power cord to lift, carry or unplug the appliance.
 - ◆ Do not wrap the power cord around the appliance.
 - ◆ Check that the power cord is not pinched or bent.
 - ◆ Do not allow the connecting cord to hang or touch the hot surfaces of the appliance.
 - ◆ Check the condition of the electrical connection cable. Damaged or entangled cables increase the risk of electric shock.
 - ◆ It is recommended as an additional protection in the electrical installation that feeds the device, the use of a differential current device with a maximum sensitivity of 30 mA. Consult with an installer.
 - ◆ Do not touch the plug with wet hands.
 - ◆ Do not use the appliance with the damaged power cord or plug.
 - ◆ If any of the enclosures of the appliance breaks, immediately switch off the appliance to avoid the possibility of electric shock.
 - ◆ Do not use the appliance if it has fallen, if there are visible signs of damage, or if there is a leak.
 - ◆ Use the appliance in a well-ventilated area.
 - ◆ If the appliance is used in the same room with other gas or fuel appliances, it must be well ventilated.
 - ◆ Do not place the appliance in direct sunlight.

- ◆ Place the appliance on a horizontal, flat, stable surface away from sources of heat and possible splashing water.
- ◆ Do not use or store the appliance outdoors.
- ◆ Do not expose the appliance to rain or moisture. Water entering the appliance will increase the risk of electric shock.
- ◆ **WARNING:** Do not use the appliance near water.
- ◆ Do not force the connecting cable. Never use the power cord to lift, carry or unplug the appliance. Keep the device away from heat sources and sharp edges.

USE AND CARE:

- ◆ After each use, completely unplug the power cable from the power supply.
- ◆ Do not use the appliance if its start / stop device does not work. Do not remove the legs from the appliance. Do not move the appliance while it is in use.
- ◆ Use the handles to take or transport the appliance.
- ◆ Do not turn the appliance over while it is in use or connected to the mains.
- ◆ Unplug the power supply from the mains when not in use and before performing any cleaning operations.
- ◆ Keep this appliance out of the reach of children and / or persons with reduced physical, sensory or mental abilities or who are unfamiliar with its use.
- ◆ Do not expose the appliance to extreme temperatures. Keep the device in a dry, dustfree place protected from direct sunlight. Never leave the appliance unattended. It will also save energy and prolong the life of the device.
- ◆ Any improper use, or in disagreement with the instructions for use, can be dangerous, voiding the manufacturer's warranty and liability.
- ◆ Remove and empty the water tank before moving the appliance. Water spill could damage internal parts of this dehumidifier.
- ◆ Use the handle with the assistance of the casters* to take or transport the appliance in order to avoid injuries and facilitate the transportation.
- ◆ *(Only for the BXDH20E model) To ensure the proper functioning of the air purifying system, the HEPA filter must be replaced approximately every 2000h of use. You can contact our Technical Assistance Service to purchase new HEPA filters.

SERVICE

- ◆ Make sure that the appliance is serviced only by specialist personnel, and that only original spare parts or accessories are used to replace existing parts/ accessories.
- ◆ Any improper use, or in disagreement with the instructions for use, can be dangerous, voiding the manufacturer's warranty and liability.

DESCRIPTION

- A Handle
- B Control Panel
- C Front Panel
- D Back Panel
- E *Water Tank Cover
- F *Water Tank Handle
- G Water Tank
- H Casters
- I Filter Frame
- J Drainage Outlet
- K Power Cord Storage Column
- L *HEPA 13 Filter
- M Drainage Hose

*Only available for the BXDH20E model

If the model of your appliance does not have the accessories described above, they can also be bought separately from the Technical Assistance Service.

CONTROL PANEL

- 1 Timer
- 2 Inside drying
- 3 Air speed
- 4 Full tank
- 5 LED display
- 6 Humidity control
- 7 Mode / Clothes drying
- 8 ON/OFF

Installation

- ◆ Be sure to remove all packaging material from inside the appliance.
- ◆ *(Only for the BXDH20E model) Remove the filter frame. Open the plastic bag containing the HEPA filter and place it in the filter space. Place the filter frame back. Make sure it is locked in the right position.
- ◆ It is recommended to insert pads or damping rubber sheets, etc. under this dehumidifier to reduce vibration, noise and possible sinking of woodfloors or carpets.

INSTRUCTIONS FOR USE

BEFORE USE:

- ◆ Make sure that all products' packaging has been removed.
- ◆ Some parts of the appliance have been lightly greased. Consequently, the first time the appliance is used a light smoke may be detected. After a short time, this smoke will disappear.
- ◆ To eliminate the smell given off by the appliance when used for the first time, it is recommended to have it on at full power for 2 hours in a well-ventilated room.

USE:

- ◆ Extend the cable completely before plugging in.
- ◆ Plug the appliance into the mains.
- ◆ Turn the appliance on, by using the on/off button.
- ◆ Select the desired function.

MODE:

- ◆ Press the mode button (7) to select auto mode or clothes drying mode.
- ◆ In auto mode, the appliance will run until the set humidity % is reached. The default humidity % is 50%. For more details, see the HUMIDITY SETTING FUNCTION section.
- ◆ The clothes drying function, allows to reduce the time of drying clothes by reducing the humidity. To see more details about this mode, see the COTHES DRYING FUNCTION section.
- ◆ The pilot light above indicates which mode is selected.

TIMER FUNCTION:

- ◆ Press the timer button (1) to initiate this function.
- ◆ The LED display screen (4) will show the time that is selected.
- ◆ Adjust the desired time by pressing the button as many times as hours desired (1-24h). Every press adjusts one hour.
- ◆ Once you reach the desired time, stop pressing the button. After five seconds, the set time is confirmed.
- ◆ The pilot light above will turn on.
- ◆ To cancel the timer setup, press twice continuously after confirming the time.

INSIDE DRYING FUNCTION:

- ◆ Press the inside drying button (2) to initiate this function.
- ◆ The pilot light above will turn on.
- ◆ This function dries the inside of the appliance to prevent mold in the interior. This procedure lasts approximately 1 hour.
- ◆ The dehumidifier starts at high air speed and releases air continuously for 30 minutes. Then it turns to low speed for approximately 20 more minutes.
- ◆ To cancel this function, press the button again.
- ◆ Activate this function before storing the dehumidifier to prevent mould inside the appliance.

HUMIDITY SETTING FUNCTION:

- ◆ Note that this function is only available with the "auto mode".
- ◆ Press the humidity setting button (6) to initiate this function.
- ◆ Once you press the button, a humidity percentage will be displayed.
- ◆ Every time you press the button the humidity % will increase by 5% until reaching the maximum of 80%, and then it will go back to 30%.
- ◆ Once you have reached the desired humidity %, stop pressing the button. The appliance will run until the room's humidity reaches 5% lower than the one chosen. The compressor will stop but the fan will keep running at the set speed.
- ◆ The LED display screen will show the humidity % selected.

CLOTHES DRYING FUNCTION:

- ◆ Press the mode button (7) to select this function. The pilot light above indicates the mode selected.
- ◆ This function activates the compressor no matter the humidity in the room. This allows clothes to dry quicker.

- ◆ To cancel this function, press the button again to switch to auto mode.

FAN SPEED:

- ◆ Select the desired fan speed (high or low) by pressing the fan button (3).
- ◆ The pilot light will indicate which speed is selected.

***CHILD LOCK (ONLY FOR THE BXDH20E):**

- ◆ Long press the mode button (7) for at least three seconds to activate this setting.
- ◆ All the keys in the control panel will be disabled.
- ◆ To unlock the control panel, repeat the process for turning it on.

DRAINAGE (WATER TANK):

- ◆ When the water tank is full, the full tank icon (4) will start flashing. The appliance also emits a buzzing sound to alert the user.
- ◆ When the water tank is full, the compressor and the fan will stop running.
- ◆ Proceed to remove the water tank. Place one hand on each side of the depression areas to gently remove the water tank.
- ◆ Remove the water tank cover* and pour the water out.
- ◆ Proceed to put the cover on the water tank again and place the tank back into the appliance to restart the dehumidifier.

DRAINAGE (CONTINUOUS DRAINAGE):

- ◆ If you do not want to empty the water tank every time it gets full, you can connect the drainage pipe provided (inner diameter 9mm) to the drainage outlet (J) to drain the water continuously.
- ◆ To install the pipe, locate the drain outlet, unscrew the drain cover and pull out the plug. Proceed to connect the 9mm drainage pipe to the outlet.
- ◆ The low end of the water pipe must be more than 10cm lower than the height of the water outlet.
- ◆ The end of the pipe cannot remain in water. It is highly recommended to install it on a place that allows the water to drain constantly.
- ◆ The water pipe must be kept smooth, otherwise the water may not be drained properly.
- ◆ Refer to the Fig. 1 below for clarifications on the use of continuous drainage.

ONCE THE APPLIANCE HAS BEEN USED:

- ◆ Stop the appliance by pressing button on/off (8)
- ◆ Unplug the appliance from the mains.
- ◆ Collect the cable by using the power cord storage column (K).
- ◆ Clean the appliance.

CARRY HANDLE AND CASTERS*:

- ◆ This appliance has a handle on the upper part of the body (A), which facilitates comfortable transportation.
- ◆ *(Only for the BXDH20E model) There are four casters (H) to facilitate the transportation of the appliance and avoid injuries.

CLEANING

- ◆ Disconnect the appliance from the mains and allow it to cool before undertaking any cleaning task.
- ◆ Clean the electrical equipment and the mains connection with a damp cloth and dry. **DO NOT IMMERSE IN WATER OR ANY OTHER LIQUID.**
- ◆ Clean the equipment with a damp cloth with a few drops of washing-up liquid and then dry.
- ◆ Do not use solvents, or products with an acid or base pH such as bleach, or abrasive products, for cleaning the appliance.
- ◆ Do not let water or any other liquid get into the air vents to avoid damage to the inner parts of the appliance.
- ◆ Never submerge the appliance in water or any other liquid or place it under running water.
- ◆ If the appliance is not in good condition of cleanliness, its surface may degrade and inexorably affect the duration of the appliance's useful life and could become unsafe to use.
- ◆ Then dry all parts before its assembly and storage.

Cleaning the air filter:

- ◆ Clean the air filters every 2 weeks. If the air filter is blocked with dust, its effectiveness will be reduced.
- ◆ Washing the air filters by submerging them carefully in warm water with a neutral detergent, rinse them off and let them dry completely in a shady place.
- ◆ Install the filters carefully after having them cleaned.
- ◆ *(Only for the BXDH20E model) To ensure the proper functioning of the air purifying system, the HEPA filter must be replaced approximately every 2000h of use. You can contact our Technical Assistance Service to purchase new HEPA filters.

ANOMALIES AND REPAIR

- ◆ If any anomaly is detected, check the following table:

Anomalies	Cause	Solution
The dehumidifier does not run.	Does power plug fall?	Insert power plug into socket.
	Is the water tank full of water or placed at incorrect position?	Drain water from the water tank, and then install the water tank again.
	The ambient temperature is lower than 5°C or higher than 32°C.	Normal phenomenon. The appliance does not run in these conditions for safety reasons.
The dehumidification function is not effective.	Is the room temperature or humidity too low?	Under dry conditions the dehumidification ability will reduce.
	Are the air outlet and inlet blocked?	Clean up the objects blocking the air outlet and inlet.
Air is not blown out.	Is the air filter blocked?	Clean the air filter following the previously recommended method.
Noise is abnormal during operation.	Is the dehumidifier placed improperly so that it is inclined or unstable?	Please place the dehumidifier in smooth place.
	Is the air filter blocked?	Clean the air filter following the previously recommended method.
	There is a "tittering" sound.	It is the sound of the refrigerant flowing, which is a normal phenomenon.
Water leaks.	Connection of drainage pipe becomes loose	Fasten drainage pipe.
	Drainage system is blocked	Remove obstacles and straighten out water pipe.
Frosting occurs.	The ambient temperature is low, and it is in the state waiting for defrost.	It is a normal phenomenon, and the dehumidifier has the automatic defrosting function.
If you cannot find a solution in the table, please contact the Technical Assistance Service.		



The appliance contains flammable refrigerant.

For eu versions of the product and / Or if applicable in your country:
ecology and recyclability of the product

- ◆ The materials that constitute the packaging of this apparatus, are integrated in a system of collection, classification and recycling of the same. If you want to dispose of them, you can use the appropriate public containers for each type of material.
- ◆ The product is exempt from concentrations of substances which may be considered harmful to the environment.



This symbol means that if you want to dispose of the product, after the end of its life, you must deposit it by the appropriate means at the disposal of an authorized waste manager for the selective collection of Waste Electrical and Electronic Equipment (WEEE).

WARRANTY AND TECHNICAL ASSISTANCE

- ◆ This product enjoys the recognition and protection of the legal guarantee in accordance with current legislation.
- ◆ To enforce your rights or interests you must go to any of our official technical assistance services. You can find the closest one by accessing the following web link: <http://www.2helpu.com/> You can also request related information, by contacting us (see the last page of the manual). You can download this instruction manual and its updates at <http://www.2helpu.com/>

INSTRUCTIONS FOR REPAIRING APPLIANCES CONTAINING R290 GENERAL INSTRUCTIONS

Checks to the area

- ◆ Prior to beginning work on systems containing flammable refrigerants, safety checks are necessary to ensure that the risk of ignition is minimised. For repair to the refrigerating system, the following precautions shall be complied with prior to conducting work on the system.

Work procedure

- ◆ Work shall be undertaken under a controlled procedure so as to minimise the risk of a flammable gas or vapour being present while the work is being performed.

General work area

- ◆ All maintenance staff and others working in the local area shall be instructed on the nature of work being carried out. Work in confined spaces shall be avoided. The area around the workspace shall be sectioned off. Ensure that the conditions within the area have been made safe by control of flammable material.

Checking for presence of refrigerant

- ◆ The area shall be checked with an appropriate refrigerant detector prior to and during work, to ensure the technician is aware of potentially flammable atmospheres. Ensure that the leak detection equipment being used is suitable for use with flammable refrigerants, i.e. nonsparking, adequately sealed or intrinsically safe.

Presence of fire extinguisher

- ◆ If any hot work is to be conducted on the refrigeration equipment or any associated parts, appropriate fire extinguishing equipment shall be available to hand. Have a dry powder or CO₂ fire extinguisher adjacent to the charging area.

No ignition sources

- ◆ No person carrying out work in relation to a refrigeration system which involves exposing any pipe work that contains or has contained flammable refrigerant shall use any sources of ignition in such a manner that it may lead to the risk of fire or explosion. All possible ignition sources, including cigarette smoking, should be kept sufficiently far away from the site of installation, repairing, removing and disposal, during which flammable refrigerant can possibly be released to the surrounding space. Prior to work taking place, the area around the equipment is to be surveyed to make sure that there are no flammable hazards or ignition risks. "No Smoking" signs shall be displayed.

Ventilated area

- ◆ Ensure that the area is in the open or that it is adequately ventilated before breaking into the system or conducting any hot work. A degree of ventilation shall continue during the period that the work is carried out. The ventilation should safely disperse any released refrigerant and preferably expel it externally into the atmosphere.

Checks to the refrigeration equipment

- ◆ Where electrical components are being changed, they shall be fit for the purpose and to the correct specification. At all times the manufacturer's maintenance and service guidelines shall be followed. If in doubt consult the manufacturer's technical department for assistance. The following checks shall be applied to installations using flammable refrigerants: the charge size is in accordance with the room size within which the refrigerant containing parts are installed; the ventilation machinery and outlets are operating adequately and are not obstructed; if an indirect refrigerating circuit is being used, the secondary circuit shall be checked for the presence of refrigerant; marking to the equipment continues to be visible and legible. Markings and signs that are illegible shall be corrected; refrigeration pipe or components are installed in a position where they are unlikely to be exposed to any substance which may corrode refrigerant containing components, unless the components are constructed of materials which are inherently resistant to being corroded or are suitably protected against being so corroded.

Checks to electrical devices

- ◆ Repair and maintenance to electrical components shall include initial safety checks and component inspection procedures. If a fault exists that could compromise safety, then no electrical supply shall be connected to the circuit until it is satisfactorily dealt with. If the fault cannot be corrected immediately but it is necessary to continue operation, an adequate temporary solution shall be used. This shall be reported to the owner of the equipment so all parties are advised.
- ◆ Initial safety checks shall include: that capacitors are discharged: this shall be done in a safe manner to avoid possibility of sparking; that there no live electrical components and wiring are exposed while charging, recovering or purging the system; that there is continuity of earth bonding.

REPAIRS TO SEALED COMPONENTS

- ◆ During repairs to sealed components, all electrical supplies shall be disconnected from the equipment being worked upon prior to any removal of sealed covers, etc. If it is absolutely necessary to have an electrical supply to equipment during servicing, then a permanently operating form of leak detection shall be located at the most critical point to warn of a potentially hazardous situation.
- ◆ Particular attention shall be paid to the following to ensure that by working on electrical components, the casing is not altered in such a way that the level of protection is affected.
- ◆ This shall include damage to cables, excessive number of connections, terminals not made to original specification, damage to seals, incorrect fitting of glands, etc. Ensure that apparatus is mounted securely. Ensure that seals or sealing materials have not degraded such that they no longer serve the purpose of preventing the ingress of flammable atmospheres. Replacement parts shall be in accordance with the manufacturer's specifications.
- ◆ NOTE The use of silicon sealant may inhibit the effectiveness of some types of leak detection equipment. Intrinsically safe components do not have to be isolated prior to working on them.

REPAIR TO INTRINSICALLY SAFE COMPONENTS

- ◆ Do not apply any permanent inductive or capacitance loads to the circuit without ensuring that this will not exceed the permissible voltage and current permitted for the equipment in use. Intrinsically safe components are the only types that can be worked on while live in the presence of a flammable atmosphere. The test apparatus shall be at the correct rating. Replace components only with parts specified by the manufacturer. Other parts may result in the ignition of refrigerant in the atmosphere from a leak.

CABLING

- ◆ Check that cabling will not be subject to wear, corrosion, excessive pressure, vibration, sharp edges or any other adverse environmental effects. The check shall also take into account the effects of aging or continual vibration from sources such as compressors or fans.

DETECTION OF FLAMMABLE REFRIGERANTS

- ◆ Under no circumstances shall potential sources of ignition be used in the searching for or detection of refrigerant leaks. A halide torch (or any other detector using a naked flame) shall not be used.

LEAK DETECTION METHODS

- ◆ The following leak detection methods are deemed acceptable for systems containing flammable refrigerants. Electronic leak detectors shall be used to detect flammable refrigerants, but the sensitivity may not be adequate, or may need recalibration. (Detection equipment shall be calibrated in a refrigerant-free area.) Ensure that the detector is not a potential source of ignition and is suitable for the refrigerant used. Leak detection equipment shall be set at a percentage of the LFL of the refrigerant and shall be calibrated to the refrigerant employed and the appropriate percentage of gas (25 % maximum) is confirmed. Leak detection fluids are suitable for use with most refrigerants but the use of detergents containing chlorine shall be avoided as the chlorine may react with the refrigerant and corrode the copper pipework. If a leak is suspected, all naked flames shall be removed/ extinguished. If a leakage of refrigerant is found which requires brazing, all of the refrigerant shall be recovered from the system, or isolated (by means of shut off valves) in a part of the system remote from the leak. Oxygen free nitrogen (OFN) shall then be purged through the system both before and during the brazing process.

REMOVAL AND EVACUATION

- ◆ When breaking into the refrigerant circuit to make repairs – or for any other purpose – conventional procedures shall be used. However, it is important that best practice is followed since flammability is a consideration. The following procedure shall be adhered to: remove refrigerant; purge the circuit with inert gas; evacuate; purge again with inert gas; open the circuit by cutting
- ◆ or brazing. The refrigerant charge shall be recovered into the correct recovery cylinders. The system shall be “flushed” with OFN to render the unit safe. This process may need to be repeated several times. Compressed air or oxygen shall not be used for this task. Flushing shall be achieved by breaking the vacuum in the system with OFN and continuing to fill until the working pressure is achieved, then venting to atmosphere, and finally pulling down to a vacuum. This process shall be repeated until no refrigerant is within the system. When the final OFN charge is used, the system shall be vented down to atmospheric pressure to enable work to take place. This operation is absolutely vital if brazing operations on the pipework are to take place.
- ◆ Ensure that the outlet for the vacuum pump is not close to any ignition sources and there is ventilation available.

CHARGING PROCEDURES

- ◆ In addition to conventional charging procedures, the following requirements shall be followed.
- ◆ Ensure that contamination of different refrigerants does not occur when using charging equipment. Hoses or lines shall be as short as possible to minimise the amount of refrigerant contained in them.
- ◆ Cylinders shall be kept upright.
- ◆ Ensure that the refrigeration system is earthed prior to charging the system with refrigerant.
- ◆ Label the system when charging is complete (if not already).
- ◆ Extreme care shall be taken not to overfill the refrigeration system.
- ◆ Prior to recharging the system, it shall be pressure tested with OFN. The system shall be leak tested on completion of charging but prior to commissioning. A follow up leak test shall be carried out prior to leaving the site.

DECOMMISSIONING

- ◆ Before carrying out this procedure, it is essential that the technician is completely familiar with the equipment and all its detail. It is recommended good practice that all refrigerants are recovered safely. Prior to the task being carried out, an oil and refrigerant sample shall
- ◆ be taken in case analysis is required prior to reuse of reclaimed refrigerant. It is essential that electrical power is available before the task is commenced.
- ◆ a) Become familiar with the equipment and its operation.
- ◆ b) Isolate system electrically.
- ◆ c) Before attempting the procedure ensure that: mechanical handling equipment is available, if required, for handling refrigerant cylinders; all personal protective equipment is available and being used correctly; the recovery process is supervised at all times by a competent person; recovery equipment and cylinders conform to the appropriate standards.
- ◆ d) Pump down refrigerant system, if possible.
- ◆ e) If a vacuum is not possible, make a manifold so that refrigerant can be removed from various parts of the system.
- ◆ f) Make sure that cylinder is situated on the scales before recovery takes place.
- ◆ g) Start the recovery machine and operate in accordance with manufacturer's instructions.
- ◆ h) Do not overfill cylinders. (No more than 80 % volume liquid charge).
- ◆ i) Do not exceed the maximum working pressure of the cylinder, even temporarily.
- ◆ j) When the cylinders have been filled correctly and the process completed, make sure that the cylinders and the equipment are removed from site promptly and all isolation

valves on the equipment are closed off.

- ◆ k) Recovered refrigerant shall not be charged into another refrigeration system unless it has been cleaned and checked.

LABELLING

- ◆ Equipment shall be labelled stating that it has been decommissioned and emptied of refrigerant. The label shall be dated and signed.
- ◆ Ensure that there are labels on the equipment stating the equipment contains flammable refrigerant.

RECOVERY

- ◆ When removing refrigerant from a system, either for servicing or decommissioning, it is recommended good practice that all refrigerants are removed safely. When transferring refrigerant into cylinders, ensure that only appropriate refrigerant recovery cylinders are employed. Ensure that the correct number of cylinders for holding the total system charge are available. All cylinders to be used are designated for the recovered refrigerant and labelled for that refrigerant (i.e. special cylinders for the recovery of refrigerant). Cylinders shall be complete with pressure relief valve and associated shutoff valves in good working order. Empty recovery cylinders are evacuated and, if possible, cooled before recovery occurs.
- ◆ The recovery equipment shall be in good working order with a set of instructions concerning the equipment that is at hand and shall be suitable for the recovery of flammable refrigerants. In addition, a set of calibrated weighing scales shall be available and in good working order. Hoses shall be complete with leakfree disconnect couplings and in good condition. Before using the recovery machine, check that it is in satisfactory working order, has been properly maintained and that any associated electrical components are sealed to prevent ignition in the event of a refrigerant release. Consult manufacturer if in doubt.
- ◆ The recovered refrigerant shall be returned to the refrigerant supplier in the correct recovery cylinder, and the relevant Waste Transfer Note arranged. Do not mix refrigerants in recovery units and especially not in cylinders. If compressors or compressor oils are to be removed, ensure that they have been evacuated to an acceptable level to make certain that flammable refrigerant does not remain within the lubricant. The evacuation process shall be carried out prior to returning the compressor to the suppliers. Only electric heating to the compressor body shall be employed to accelerate this process. When oil is drained from a system, it shall be carried out safely.

Competence of service personnel

General

- ◆ Special training additional to usual refrigerating equipment repair procedures is required when equipment with flammable refrigerants is affected.
- ◆ In many countries, this training is carried out by national training organisations that are accredited to teach the relevant national competency standards that may be set in legislation.
- ◆ The achieved competence should be documented by a certificate.

Training

- ◆ The training should include the substance of the following:
- ◆ Information about the explosion potential of flammable refrigerants to show that flammables may be dangerous when handled without care.
- ◆ Information about potential ignition sources, especially those that are not obvious, such as lighters, light switches, vacuum cleaners, electric heaters.
- ◆ Information about the different safety concepts:
- ◆ Unventilated – (see Clause GG.2) Safety of the appliance does not depend on ventilation of the housing. Switching off the appliance or opening of the housing has no significant effect on the safety. Nevertheless, it is possible that leaking refrigerant may accumulate inside the enclosure and flammable atmosphere will be released when the enclosure is opened.
- ◆ Ventilated enclosure – (see Clause GG.4) Safety of the appliance depends on ventilation of the housing. Switching off the appliance or opening of the enclosure has a significant effect on the safety. Care should be taken to ensure a sufficient ventilation before.
- ◆ Ventilated room – (see Clause GG.5) Safety of the appliance depends on the ventilation of the room. Switching off the appliance or opening of the housing has no significant effect on the safety. The ventilation of the room shall not be switched off during repair procedures.
- ◆ Information about the concept of sealed components and sealed enclosures according to IEC 6007915:2010.
- ◆ Information about the correct working procedures:

Commissioning

- ◆ Ensure that the floor area is sufficient for the refrigerant charge or that the ventilation duct is assembled in a correct manner.

- ◆ Connect the pipes and carry out a leak test before charging with refrigerant.
- ◆ Check safety equipment before putting into service.

Maintenance

- ◆ Portable equipment shall be repaired outside or in a workshop specially equipped for servicing units with flammable refrigerants.
- ◆ Ensure sufficient ventilation at the repair place.
- ◆ Be aware that malfunction of the equipment may be caused by refrigerant loss and a refrigerant leak is possible.
- ◆ Discharge capacitors in a way that won't cause any spark. The standard procedure to short circuit the capacitor terminals usually creates sparks.
- ◆ Reassemble sealed enclosures accurately. If seals are worn, replace them.
- ◆ Check safety equipment before putting into service.

Repair

- ◆ Portable equipment shall be repaired outside or in a workshop specially equipped for servicing units with flammable refrigerants.
- ◆ Ensure sufficient ventilation at the repair place.
- ◆ Be aware that malfunction of the equipment may be caused by refrigerant loss and a refrigerant leak is possible.
- ◆ Discharge capacitors in a way that won't cause any spark.
- ◆ When brazing is required, the following procedures shall be carried out in the right order:
 - ◆ Remove the refrigerant. If the recovery is not required by national regulations, drain the refrigerant to the outside. Take care that the drained refrigerant will not cause any danger. In doubt, one person should guard the outlet. Take special care that drained refrigerant will not float back into the building.
 - ◆ Evacuate the refrigerant circuit.
 - ◆ Purge the refrigerant circuit with nitrogen for 5 min.
 - ◆ Evacuate again.
 - ◆ Remove parts to be replaced by cutting, not by flame.
 - ◆ Purge the braze point with nitrogen during the brazing procedure.
 - ◆ Carry out a leak test before charging with refrigerant.
 - ◆ Reassemble sealed enclosures accurately. If seals are worn, replace them.
 - ◆ Check safety equipment before putting into service.

Decommissioning

- ◆ If the safety is affected when the equipment is put out of service, the refrigerant charge shall be removed before decommissioning.
- ◆ Ensure sufficient ventilation at the equipment location.
- ◆ Be aware that malfunction of the equipment may be caused by refrigerant loss and a refrigerant leak is possible.
- ◆ Discharge capacitors in a way that won't cause any spark.
- ◆ Remove the refrigerant. If the recovery is not required by national regulations, drain the refrigerant to the outside. Take care that the drained refrigerant will not cause any danger. In doubt, one person should guard the outlet.
- ◆ Take special care that drained refrigerant will not float back into the building.
- ◆ Evacuate the refrigerant circuit.
- ◆ Purge the refrigerant circuit with nitrogen for 5 min.
- ◆ Evacuate again.
- ◆ Fill with nitrogen up to atmospheric pressure.
- ◆ Put a label on the equipment that the refrigerant is removed.

Disposal

- ◆ Ensure sufficient ventilation at the working place.
- ◆ Remove the refrigerant. If the recovery is not required by national regulations, drain the refrigerant to the outside. Take care that the drained refrigerant will not cause any danger. In doubt, one person should guard the outlet.
- ◆ Take special care that drained refrigerant will not float back into the building.
- ◆ Evacuate the refrigerant circuit.
- ◆ Purge the refrigerant circuit with nitrogen for 5 min.
- ◆ Evacuate again.
- ◆ Cut out the compressor and drain the oil.
- ◆ Transportation, marking and storage for units that employ flammable refrigerants

This appliance complies with Directive 2014/35/EU on Low Voltage, Directive 2014/30/EU on Electromagnetic Compatibility, Directive 2011/65/EU on the restrictions of the use of certain hazardous substances in electrical and electronic equipment and Directive 2009/125/EC on the ecodesign requirements for energy-related products.

DÉSHUMIDIFICATEUR BXDH12E BXDH20E

Cher Client,

Nous vous remercions d'avoir choisi d'acheter un appareil ménager de marque BLAC-K+DECKER.

Sa technologie, son design et sa fonctionnalité, outre sa parfaite conformité aux normes de qualité les plus

strictes, vous permettront d'en tirer une longue et durable satisfaction.



Lire attentivement ce manuel avant d'installer ou d'utiliser le Déshumidificateur. Conserver ce manuel d'instructions pour toute référence future et pour bénéficier, le cas échéant, de la garantie du produit.

AVERTISSEMENT

- ◆ Ne pas utiliser de produits pour accélérer le processus de décongélation ou pour procéder au nettoyage autres que ceux recommandés par le fabricant.
- ◆ L'appareil doit être conservé dans une pièce sans sources d'inflammation en fonctionnement continu (ex : flamme nue, dispositif fonctionnant à gaz ou radiateur électrique en marche).
- ◆ Ne pas percer ou brûler.
- ◆ Noter que les fluides frigorigènes n'ont pas d'odeur.
- ◆ L'appareil doit être installé, utilisé et stocké dans une pièce d'une superficie supérieure à 4 m².

AVERTISSEMENT

- ◆ Informations sur les dispositifs à gaz réfrigérant R290.
- ◆ Merci de lire toutes les mises en garde.
- ◆ Ne pas utiliser d'instruments autres que ceux recommandés par le fabricant pour dégivrer et nettoyer l'appareil.
- ◆ L'appareil doit être installé dans une zone sans sources d'inflammation continues (ex : flamme nue, dispositif fonctionnant à gaz ou radiateur électrique en marche).
- ◆ Ne pas percer ou brûler.
- ◆ Cet appareil contient 52 grammes de gaz réfrigérant R290.
- ◆ R290 est un gaz réfrigérant conforme aux directives européennes sur l'environnement. Ne jamais percer aucune partie du circuit réfrigérant.
- ◆ Si l'appareil est installé, utilisé ou stocké dans une zone non ventilée, la pièce doit être conçue pour empêcher l'accumulation de fuites de réfrigérant. En effet, cela impliquerait un risque d'incendie ou d'explosion en raison de l'inflammation du liquide de refroidissement causée par les appareils des chauffages électriques, poêles ou

autres sources d'ignition.

- ◆ L'appareil doit être conservé de manière à ne pas en endommager le système mécanique.
- ◆ Les personnes travaillant sur le circuit de refroidissement doivent disposer du certificat correspondant délivré par un organisme accrédité, lequel garanti ses compétences en matière de manipulation de fluides frigorigènes, conformément à une évaluation spécifique reconnue par les associations sectorielles.
- ◆ Les réparations doivent être effectuées conformément aux recommandations du fabricant. L'entretien et les réparations qui nécessitent l'aide d'autres membres du personnel qualifié doivent être exécutées sous la supervision d'une personne experte en utilisation de réfrigérants inflammables.

CONSEILS ET MESURES DE SÉCURITÉ

- ◆ Cet appareil peut être utilisé par des personnes non familiarisées avec son fonctionnement, des personnes handicapées ou des enfants âgés de plus de 8 ans, et ce, sous la surveillance d'une personne responsable ou après avoir reçu la formation nécessaire sur le fonctionnement sûr de l'appareil et en comprenant les dangers qu'il comporte.
- ◆ Cet appareil n'est pas un jouet. Les enfants doivent être surveillés afin de s'assurer qu'ils ne jouent pas avec l'appareil.
- ◆ Le nettoyage ou l'entretien ne doit en aucun cas être effectué par des enfants sans surveillance.
- ◆ Brancher l'appareil en respectant les normes nationales en la matière.
- ◆ Utiliser l'appareil à au moins 50 cm de tout objet. Ne pas couvrir ni obstruer les côtés de l'appareil, et laisser un espace minimum de 50 cm autour de l'appareil.
- ◆ L'appareil requiert une ventilation adéquate pour fonctionner correctement.
- ◆ Si la prise secteur est endommagée, elle doit être remplacée. Confier l'appareil à un service technique agréé. Ne pas tenter de réparer ou de démonter l'appareil en raison des risques que cela implique.
- ◆ Cet appareil est uniquement destiné à un usage domestique et non professionnel ou industriel.
- ◆ Avant de brancher l'appareil à la prise secteur, s'assurer que le voltage indiqué sur la plaque signalétique correspond à celui de la prise secteur.
- ◆ Raccorder l'appareil à une prise pourvue d'une fiche de terre et supportant au moins 10 ampères.
- ◆ La prise de courant de l'appareil doit coïncider avec la base de la prise de courant. Ne jamais modifier la prise de courant. Ne pas utiliser d'adaptateur de prise de courant.

- ◆ Ne pas forcer le câble électrique de connexion. Ne jamais utiliser le câble électrique pour lever, transporter ou débrancher l'appareil.
- ◆ Ne pas enrouler le câble électrique de connexion autour de l'appareil.
- ◆ Vérifier que le cordon d'alimentation ne soit pas coincé
- ◆ ou plié...
- ◆ Ne laissez pas pendre le câble électrique ou entrer en contact avec les surfaces chaudes de l'appareil.
- ◆ Vérifier l'état du câble électrique de connexion. Les câbles endommagés ou emmêlés augmentent le risque de choc électrique.
- ◆ Il est recommandé, en protection supplémentaire, que l'installation électrique d'alimentation de l'appareil dispose d'un disjoncteur avec sensibilité maximum de 30 mA. En cas de doute, consultez un installateur agréé.
- ◆ Ne pas toucher la prise de raccordement avec les mains mouillées.
- ◆ Ne pas utiliser l'appareil si son câble électrique ou sa prise est endommagé.
- ◆ Si une des enveloppes protectrices de l'appareil se rompt, débrancher immédiatement l'appareil pour éviter tout choc électrique.
- ◆ Ne pas utiliser l'appareil s'il est tombé, s'il y a des signes visibles de dommages ou en cas de fuite.
- ◆ Utiliser l'appareil dans une zone bien ventilée.
- ◆ Il faut prévoir une ventilation adéquate de la salle, si d'autres appareils à gaz ou autre combustible, peuvent être utilisés simultanément dans la même salle où est installé l'appareil.
- ◆ Ne pas placer l'appareil dans un endroit où il pourrait être exposé à la lumière directe du soleil.
- ◆ Placer l'appareil sur une surface plane, stable et pouvant supporter des températures élevées, éloignée d'autres sources de chaleur et des possibles éclaboussures d'eau.
- ◆ Ne pas exposer l'appareil aux intempéries.
- ◆ Ne pas exposer l'appareil à la pluie ou à un environnement humide. L'eau qui entre dans l'appareil augmente le risque de choc électrique.
- ◆ **AVERTISSEMENT** : Ne pas utiliser l'appareil à proximité de points d'eau.
- ◆ Ne pas forcer le câble électrique de connexion. Ne jamais utiliser le câble électrique pour lever, transporter ou débrancher l'appareil. Cet appareil ne doit jamais se trouver à proximité d'une source de chaleur ou sur un angle vif.

Utilisation et entretien:

- ◆ Après chaque utilisation, dérouler complètement le câble d'alimentation de l'appareil.
- ◆ Ne pas utiliser l'appareil si son dispositif de mise en marche/arrêt ne fonctionne pas. Ne pas enlever les pieds de l'appareil. Ne pas faire bouger l'appareil durant son fonctionnement
- ◆ Utiliser les poignées pour prendre ou transporter l'appareil.
- ◆ Ne pas retourner l'appareil quand il est en cours d'utilisation ou branché au secteur.
- ◆ Débrancher l'appareil du secteur tant qu'il reste hors d'usage et avant de procéder à toute opération de nettoyage.
- ◆ Conserver cet appareil hors de portée des enfants ou des personnes avec capacités physiques, sensorielles ou mentales réduites ou présentant un manque d'expérience et de connaissances.
- ◆ Ne pas exposer l'appareil à de fortes températures. Conserver l'appareil en lieu sec, non poussiéreux et à l'abri des rayons solaires. Ne jamais laisser l'appareil sans surveillance lorsqu'il est branché. Ceci permettra également de réduire sa consommation d'énergie et de prolonger sa durée de vie.
- ◆ Toute utilisation inappropriée ou non conforme aux instructions d'utilisation annule la garantie et la responsabilité du fabricant.
- ◆ Retirer et vider le réservoir d'eau avant de déplacer l'appareil. L'eau renversée peut endommager les pièces à l'intérieur de l'appareil.
- ◆ Utiliser les poignées et les roues pour transporter facilement l'appareil et éviter d'éventuelles blessures.
- ◆ *(Uniquement pour le modèle BXDH20E). Pour assurer le bon fonctionnement du système de purification de l'air, remplacer le filtre HEPA environ toutes les 2 000 heures d'utilisation. Pour acheter de nouveaux filtres, contacter le support technique.

SERVICE

- ◆ Assurez-vous que l'appareil n'est entretenu que par du personnel spécialisé et que seules des pièces de rechange ou des accessoires d'origine sont utilisées pour remplacer des pièces / accessoires existants.
- ◆ Toute utilisation impropre ou en désaccord avec les instructions d'utilisation peut être dangereuse, annulant la garantie et la responsabilité du fabricant.

LA DESCRIPTION

- A Poignée de transport
- B Panneau de commande

- C Panneau frontal
- D Panneau arrière
- E Couvercle du réservoir d'eau*
- F Poignée du réservoir d'eau*
- G Réservoir d'eau
- H Roues
- I Cadre du filtre
- J Sortie de vidange
- K Colonne de rangement du câble
- L Filtre HEPA 13*
- M Tuyau d'écoulement

(*): Uniquement disponible pour le modèle BXDH20E

Oscillating Dans le cas où votre modèle ne disposerait pas des accessoires décrits antérieurement, ceux-ci peuvent s'acquérir séparément auprès des services d'assistance technique.

PANNEAU DE CONTRÔLE

- 1 Minuterie
- 2 Séchage interne
- 3 Vitesse de l'air
- 4 Réservoir plein
- 5 Écran LED
- 6 Contrôle de l'humidité
- 7 Mode/Séchage des vêtements
- 8 ON/OFF

Installation

- ◆ Assurez-vous que vous avez retiré tout le matériel d'emballage du produit.
- ◆ *(Uniquement pour le modèle BXDH20E). Retirer le cadre du filtre. Sortir le filtre HEPA du sac en plastique et le placer dans l'espace prévu pour le filtre. Remettre le cadre du filtre en place. Vérifier qu'il soit bloqué en position.
- ◆ Pour réduire les vibrations, le bruit et les éventuels dommages sur les tapis et planchers en bois, placer des tampons, des bandes de caoutchouc ou similaires sous le déshumidificateur.

MODE D'EMPLOI

REMARQUES AVANT UTILISATION :

- ◆ Vérifier d'avoir retiré tout le matériel d'emballage du produit.
- ◆ Certaines parties de l'appareil ayant été légèrement graissées, il est possible que l'appareil dégage un peu de fumée lors de la première utilisation. La fumée disparaîtra rapidement.
- ◆ Pour éliminer l'odeur de neuf au premier fonctionnement, on recommande de le faire marcher à la puissance maximale pendant

UTILISATION:

- ◆ Dérouler complètement le câble avant de le brancher.
- ◆ Brancher l'appareil au secteur.
- ◆ Mettre l'appareil en marche en appuyant sur le bouton marche/arrêt (8)
- ◆ Sélectionner la fonction désirée

MODE :

- ◆ Appuyer sur le bouton de mode (7) pour sélectionner le mode automatique ou le mode de séchage de vêtements.
- ◆ En mode automatique, l'appareil fonctionne jusqu'à ce que le pourcentage d'humidité sélectionné soit atteint. Le pourcentage par défaut est de 50 %. Pour plus d'informations, voir la section FONCTION DE RÉGLAGE DE L'HUMIDITÉ.
- ◆ La fonction de séchage de vêtements permet de réduire le temps de séchage du linge. Pour plus d'informations, consulter la section FONCTION DE SÉCHAGE DE VÊTEMENTS.
- ◆ Le voyant lumineux supérieur indiquera le mode sélectionné.

FONCTION MINUTERIE :

- ◆ Appuyer sur le bouton de la minuterie (1) pour activer cette fonction.
- ◆ L'écran LED affichera l'heure sélectionnée.
- ◆ Régler l'heure en appuyant sur le bouton autant de fois que nécessaire (1-24 h). Chaque pression permet d'ajouter une heure.
- ◆ Une fois l'heure souhaitée atteinte, arrêter d'appuyer sur le bouton. L'heure sélection-

née sera confirmée dans un délai de 5 secondes.

- ◆ Le voyant lumineux supérieure s'allumera.
- ◆ Pour annuler le réglage de la minuterie, appuyer deux fois sur le bouton après avoir confirmé l'heure.

FONCTION SÉCHAGE INTERNE :

- ◆ Appuyer sur le bouton de séchage interne (2).
- ◆ Le voyant lumineux supérieure s'allumera.
- ◆ Cette fonction permet de sécher l'intérieur de l'appareil afin d'éviter la formation de moisissures. Sa durée approximative est de 1 heure.
- ◆ Le déshumidificateur libère de l'air en continu, à grande vitesse, pendant 30 minutes. Il passe ensuite à basse vitesse pendant 20 minutes supplémentaires.
- ◆ Pour désactiver cette fonction appuyer à nouveau sur le bouton.
- ◆ Avant de ranger le déshumidificateur, activer cette fonction pour éviter la formation de moisissures à l'intérieur.

FONCTION RÉGLAGE DE L'HUMIDITÉ :

- ◆ Cette fonction n'est disponible qu'en mode automatique.
- ◆ Appuyer sur le bouton de réglage de l'humidité (6).
- ◆ À ce moment, un pourcentage d'humidité sera affiché
- ◆ Chaque pression du bouton permet d'augmenter le pourcentage d'humidité de 5 % pour atteindre un maximum de 80 %, pour revenir à 30 %.
- ◆ Une fois le pourcentage souhaité atteint, arrêter d'appuyer sur le bouton. L'appareil fonctionnera jusqu'à ce que l'humidité dans la pièce soit inférieure de 5 % par rapport à celle choisie. Le compresseur s'arrêtera alors, mais le ventilateur continuera de fonctionner à la vitesse choisie.
- ◆ L'écran LED affichera l'heure sélectionnée.

FONCTION SÉCHAGE DES VÊTEMENTS :

- ◆ Appuyer sur le bouton de mode (7) pour sélectionner cette fonction. Le voyant lumineux supérieur indiquera le mode sélectionné.
- ◆ Cette fonction active le compresseur quelle que soit l'humidité dans la pièce. Cela permet un séchage plus rapide des vêtements.
- ◆ Pour désactiver la fonction, appuyer à nouveau sur le bouton. Le mode changera à nouveau.

VITESSE DU VENTILATEUR :

- ◆ Appuyer sur le bouton du ventilateur (3) pour choisir la vitesse (haute ou basse).
- ◆ Le voyant supérieur indiquera la vitesse sélectionnée.

BLOCAGE ENFANTS *(UNIQUEMENT POUR LE MODELE BXD-H20E):

- ◆ Pour activer cette fonction, appuyer sur le bouton de mode (7) pendant au moins 3 secondes.
- ◆ Les boutons du panneau de commande seront désactivés.
- ◆ Pour déverrouiller le panneau, répéter le processus.

VIDANGE (RÉSERVOIR D'EAU)

- ◆ Lorsque le réservoir est plein, l'icône du réservoir plein (4) se mettra à clignoter. L'appareil émettra un avertissement acoustique.
- ◆ Le compresseur et le ventilateur cesseront de fonctionner.
- ◆ Retirer le réservoir d'eau. Placer vos mains dans les zones renforcées du réservoir et le retirer soigneusement.
- ◆ Retirer le couvercle du réservoir d'eau* et le vider.
- ◆ Remettre le couvercle et le réservoir en place pour réinitialiser le déshumidificateur.

VIDANGE (vidange continue)

- ◆ L'appareil offre la possibilité de raccorder le tuyau fourni (Ø interne 9 mm) à la sortie de vidange (J) pour un drainage continu.
- ◆ Pour installer le tuyau, localiser la sortie de vidange, dévisser le couvercle et retirer le bouchon. Connecter le tuyau de sortie.
- ◆ L'extrémité inférieure du tuyau doit être inférieure d'au moins 10 cm par rapport à la sortie d'eau.
- ◆ L'extrémité du tuyau ne peut pas rester dans l'eau. Le tuyau doit être installé dans un endroit permettant un drainage continu de l'eau.
- ◆ Le tuyau doit rester tendu en permanence pour que l'eau s'écoule correctement.
- ◆ Pour plus d'informations sur le drainage continu, voir la Fig. 1.

APRÈS UTILISATION DE L'APPAREIL :

- ◆ Arrêter l'appareil en appuyant sur l'interrupteur de marche/arrêt (8).
- ◆ Débrancher l'appareil de la prise secteur.
- ◆ Ranger le câble en utilisant la colonne prévue pour son rangement (K).
- ◆ Nettoyer l'appareil.

POIGNÉES ET ROUES*:

- ◆ Cet appareil dispose d'une poignée sur sa partie supérieure pour faciliter son transport en toute commodité (A).
- ◆ *(Uniquement pour le modèle BXDH20E). L'appareil dispose de 4 roues (H) pour faciliter le transport et éviter les blessures.

NETTOYAGE

- ◆ Débrancher l'appareil du secteur et attendre son refroidissement complet avant de le nettoyer.
- ◆ Nettoyer l'appareil électrique et son câble d'alimentation avec un chiffon humide et bien les sécher ensuite. NE JAMAIS IMMERGER L'APPAREIL NI LE CÂBLE DANS L'EAU NI AUCUN AUTRE LIQUIDE.
- ◆ Nettoyer l'appareil avec un chiffon humide imprégné de quelques gouttes de détergent.
- ◆ Ne pas utiliser de solvants ni de produits au pH acide ou basique tels que l'eau de Javel, ni de produits abrasifs pour nettoyer l'appareil.
- ◆ Ne pas laisser pénétrer d'eau ni aucun autre liquide dans les grilles d'aération afin d'éviter d'endommager les parties intérieures de l'appareil.
- ◆ Ne pas immerger l'appareil dans l'eau ou tout autre liquide, ni le passer sous un robinet.
- ◆ Si l'appareil n'est pas maintenu dans un bon état de propreté, sa surface peut se dégrader et affecter inexorablement la durée de vie de l'appareil et le rendre dangereux.
- ◆ Sécher toutes les parties de l'appareil avant leur montage et avant de le ranger.

Nettoyage du filtre d'air :

- ◆ Nettoyer les filtres à air toutes les 2 semaines. Si le filtre est obstrué par de la poussière, ses performances seront réduites.
- ◆ Laver les filtres à air en les immergeant délicatement dans l'eau chaude avec un détergent neutre, puis les rincer et les laisser sécher dans un endroit ombragé.
- ◆ Réinstaller soigneusement les filtres après les avoir nettoyés.
- ◆ *(Uniquement pour le modèle BXDH20E). Pour assurer le bon fonctionnement du système de purification de l'air, remplacer le filtre HEPA environ toutes les 2 000 heures d'utilisation. Pour acheter de nouveaux filtres, contacter le support technique.

PANNES ET RÉPARATION

- ◆ Si vous détectez une anomalie, veuillez consulter le tableau suivant :

Anomalies	Cause	Solution
L'appareil ne fonctionne pas.	La fiche est-elle branchée ?	Insérer la fiche dans la prise de courant.
	Le réservoir d'eau est-il plein ou mal positionné ?	Vider l'eau du réservoir et la remplacer.
	La température ambiante est inférieure à 5 °C ou supérieure à 32 °C.	Le phénomène normal. L'appareil ne fonctionne pas pour des raisons de sécurité.
La déshumidification n'est pas efficace.	La température ou l'humidité ambiante sont-elles trop basses ?	Dans des conditions sèches, la capacité de déshumidification est réduite.
	L'entrée et la sortie d'air sont-elles bloquées ?	Retirer tout objet susceptible de bloquer la sortie et l'entrée d'air.
L'air n'est pas expulsé.	Le filtre à air est-il obstrué ?	Nettoyer le filtre en suivant les instructions ci-dessus.
Bruit anormal pendant le fonctionnement.	Le déshumidificateur est-il incliné ou instable ?	Placer le déshumidificateur sur une surface plane.
	Le filtre à air est-il obstrué ?	Nettoyer le filtre en suivant les instructions ci-dessus.
	Un « faible rire » se fait entendre.	Il s'agit du liquide de refroidissement qui s'écoule ; c'est normal.
Fuites d'eau.	Le raccord de vidange s'est desserré.	Fixer le tuyau de vidange.
	Le système de vidange est bloqué.	Retirer les obstacles et redresser le tuyau.
Du givre apparaît.	La température est trop basse et attend le mode dégivrage.	Il s'agit d'un phénomène normal. Le déshumidificateur dispose d'une fonction de dégivrage automatique.
Si vous ne trouvez pas la solution à votre problème dans le tableau, contactez le support technique		



L'appareil contient du réfrigérant inflammable.

- ◆ Pour les versions UE du produit et/ou en fonction de la législation du pays d'installation:

Écologie et recyclage du produit

- ◆ Les matériaux dont l'emballage de cet appareil est constitué suivent un programme de collecte, de classification et de recyclage. Si vous souhaitez vous défaire du produit, merci de bien vouloir utiliser les conteneurs publics appropriés à chaque type de matériau.
- ◆ Le produit ne contient pas de substances concentrées susceptibles d'être considérées comme nuisibles à l'environnement.



Ce symbole signifie que si vous souhaitez vous débarrasser de l'appareil, en fin de vie utile, celui-ci devra être consigné, en prenant les mesures adaptées, à un centre agréé de collecte sélective des déchets d'équipements électriques et électroniques (DEEE).

GARANTIE ET ASSISTANCE TECHNIQUE

- ◆ Ce produit est reconnu et protégé par la garantie établie conformément à la législation en vigueur. Pour faire valoir vos droits ou intérêts, vous devez vous adresser à l'un de nos services d'assistance technique agréés. Pour savoir lequel est le plus proche, vous pouvez accéder au lien suivant : <http://www.2helpu.com/> Vous pouvez aussi nous contacter pour toute information (veuillez consulter la dernière page du manuel). Vous pouvez télécharger ce manuel d'instructions et ses mises à jour sur <http://www.2helpu.com/>

INSTRUCTIONS POUR LA RÉPARATION D'APPAREILS MÉNAGERS CONTENANT DU R290

INSTRUCTIONS GÉNÉRALES

Contrôles sur zone

- ◆ Avant de commencer à travailler sur des systèmes incluant le tabagisme, doivent être maintenues à l'écart du site d'installation, de réparation et de retrait, dans la mesure où il s'agit d'opérations susceptibles d'impliquer le relâchement de réfrigérant inflammable dans la zone. Avant d'effectuer tout travail, inspecter la zone autour de l'équipement afin de s'assurer de l'absence d'aucun risque inflammable ou risque d'inflammation. Un panneau contenant des fluides frigorigènes inflammables, il est nécessaire de procéder aux contrôles de sécurité permettant de garantir la réduction du risque d'inflammation. Les précautions suivantes devront être prises avant de procéder à toute réparation sur le système de refroidissement.

Procédure de travail

- ◆ Les travaux seront effectués selon une procédure contrôlée afin de réduire au minimum le risque lié à la présence de gaz ou de vapeur inflammable.

Zone de travail général

- ◆ L'ensemble du personnel d'entretien et toute autre personne travaillant dans la zone recevront des instructions sur la nature des travaux en cours. Éviter de travailler dans des espaces confinés. La zone autour de l'espace de travail sera délimitée. Vérifier que les conditions à l'intérieur de la zone ne présentent pas de danger en contrôlant le matériau inflammable.

Vérification de la présence de réfrigérant

- ◆ La zone doit être contrôlée à l'aide d'un détecteur de réfrigérant adapté, avant et pendant le travail, afin de s'assurer que le technicien sache où se trouvent les zones avec atmosphères potentiellement inflammables. Vérifier que l'équipement de protection contre les fuites utilisé soit adapté à une utilisation avec réfrigérant inflammable, à savoir, antibuée, doté d'une bonne étanchéité ou à sécurité intrinsèque.

Présence d'extincteur

- ◆ En cas de travaux réalisés à chaud sur l'équipement de refroidissement ou élément associé, se munir d'un extincteur adapté. Toujours disposer d'un extincteur à poudre sèche ou CO2 à proximité de la zone de chargement.

Éviter les sources d'inflammation

- ◆ Toute personne effectuant des travaux en relation avec un système de refroidissement et consistant à exposer des tuyaux contenant ou ayant contenu du réfrigérant inflammable devra s'assurer de ne pas utiliser de source d'ignition susceptible de provoquer un incendie ou une explosion. Toutes les sources d'inflammation possibles, « Interdiction de fumer » sera apposé.

Zone ventilée

- ◆ Vérifier que la zone soit ouverte ou suffisamment ventilée avant d'entrer dans le système ou d'effectuer un travail à chaud. La ventilation devra être assurée durant l'exécution du travail. La ventilation doit être en mesure de disperser, en toute sécurité, tout réfrigérant relâché, de préférence à l'extérieur de la zone.

Contrôle des équipements de réfrigération

- ◆ En cas de changement de composants électriques, ces derniers devront être adaptés aux besoins et présenter les spécifications correctes. Les directives d'entretien et de réparation du fabricant doivent être suivies dans tous les cas. En cas de doute, consulter le service technique du fabricant pour obtenir une assistance. Les contrôles suivants s'appliquent aux installations utilisant des réfrigérants inflammables : la taille du chargement doit correspondre à la taille du logement dans lequel les dispositifs contenant du fluide frigorigène sont installés ; le système de ventilation et les événements doivent fonctionner correctement et ne pas être obstrués ; en cas d'utilisation d'un circuit de refroidissement indirect, vérifier la présence de réfrigérant dans le circuit secondaire ; le marquage apposé sur l'équipement doit rester visible et lisible. Les marquages et signes illisibles doivent être restaurés. Les tuyaux ou éléments de refroidisse-

ment sont installés dans une position peu susceptible d'être exposée à une substance quelconque susceptible de corroder le composant contenant du réfrigérant, sous réserve que les composants soient réalisés en matériaux intrinsèquement résistants à la corrosion ou qu'ils soient suffisamment protégés contre la corrosion.

Contrôle des dispositifs électriques

- ◆ La réparation et l'entretien des composants électriques doivent inclure des contrôles de sécurité préalables et des procédures d'inspection des composants. En présence d'un défaut susceptible de compromettre la sécurité, ne pas connecter l'alimentation du circuit avant d'avoir résolu le problème de manière satisfaisante. Si le défaut ne peut pas être corrigé immédiatement avec obligation de poursuivre l'opération, utiliser une solution temporaire adaptée.
- ◆ Le propriétaire de l'équipement devra en être informé pour notification à toutes les parties.
- ◆ Les contrôles de sécurité préalables doivent comprendre : vérification que les condensateurs soient déchargés : cela doit être effectué en toute sécurité afin d'éviter tout risque d'inflammation; vérification qu'aucun câble et composant électrique actif ne soient exposés durant le remplissage ou purge du système de récupération ; vérification de la continuité du système de terre.

RÉPARATION DE COMPOSANTS SCELLÉS

- ◆ Durant la réparation de composants scellés, toutes les alimentations électriques du système objet des travaux devront être coupées avant de retirer les couvercles scellés, etc. Si la présence d'alimentation électrique est absolument nécessaire durant la réparation, alors un dispositif de détection de fuites à fonctionnement permanent devra être installé sur le point le plus critique pour signaler la présence de toute situation potentiellement dangereuse.
- ◆ Une attention particulière devra être accordée afin de garantir que, en cas de travaux effectués sur des composants électriques, le boîtier ne soit pas modifié de façon à affecter le niveau de protection. Cela doit inclure les dommages sur les câbles, un trop grand nombre de connexions, des terminaux non fabriqués selon les spécifications d'origine, la détérioration des joints, un mauvais réglage des presse-étoupes, etc. Vérifier que l'appareil soit monté en toute sécurité. Vérifier que les joints d'étanchéité ou les matériaux de scellage ne soient pas abîmés afin d'empêcher la pénétration d'atmosphères inflammables. Les pièces de rechange doivent être conformes aux spécifications du fabricant.
- ◆ NOTE L'utilisation de mastic silicone peut inhiber l'efficacité de certains types d'équipements de détection de fuites. Les composants à sécurité intrinsèque ne doivent pas être isolés avant d'exécuter toute tâche les impliquant.

RÉPARATION DE COMPOSANTS À SÉCURITÉ INTRINSÈQUE

- ◆ Ne pas appliquer de charges inductives ou de capacité permanentes sur le circuit sans vérifier que celles-ci ne dépassent pas la tension et le courant autorisés sur l'équipement utilisé.
- ◆ Les composants à sécurité intrinsèque sont les seuls sur lesquels il est possible de travailler en présence d'atmosphère inflammable. L'appareil d'essai doit disposer de la bonne qualification. Remplacer les composants uniquement par des pièces spécifiées par le fabricant. D'autres parties peuvent provoquer une inflammation du fluide frigorigène dans l'atmosphère en raison d'une fuite.

CÂBLAGE

- ◆ Vérifier que le câblage ne soit pas soumis à usure, corrosion, pression excessive, vibrations, arêtes vives ou à d'autres effets nuisibles à l'environnement. La vérification comprendra également le contrôle des effets du vieillissement ou des vibrations continues provenant de sources telles que les compresseurs ou les ventilateurs.

DÉTECTION DE RÉFRIGÉRANTS INFLAMMABLES

- ◆ N'utiliser en aucun cas de sources potentielles d'inflammation pour la recherche ou la détection de fuites de réfrigérant. Ne jamais utiliser de torche à halogénure (ou tout détecteur utilisant une flamme nue).

MÉTHODES DE DÉTECTION DES FUITES

- ◆ Les méthodes de détection de fuites suivantes sont considérées comme acceptables pour les systèmes contenant des réfrigérants inflammables. Utiliser des détecteurs de fuites électroniques pour détecter les réfrigérants inflammables. Noter que leur sensibilité pourrait ne pas être adaptée et nécessiter un recalibrage. (L'équipement de détection doit être calibré dans une zone ne contenant pas de réfrigérant). Vérifier que le détecteur ne soit pas une source potentielle d'inflammation et soit adapté au réfrigérant utilisé. L'équipement de détection de fuites se réglera sur le pourcentage du LFL du réfrigérant et se calibrera sur le fluide frigorigène utilisé avec confirmation du pourcentage adapté de gaz (maximum 25%).
- ◆ Les fluides de détection de fuites sont adaptés à une utilisation avec la plupart des fluides frigorigènes, mais il convient d'éviter l'utilisation de détergents contenant du chlore, sachant que ce dernier pourrait réagir avec le réfrigérant et corroder les tuyaux en cui-

vre. Si une fuite est suspectée, éliminer/éteindre toutes les flammes nues. Si une fuite de réfrigérant nécessite des opérations de brasage, l'intégralité du réfrigérant contenu dans le système devra être collecté ou isolé (en utilisant les vannes de sectionnement) sur la partie du système correspondant à la fuite. L'azote exempt d'oxygène (OFN) doit être purgé du système avant et pendant le processus de brasage.

EXTRACTION ET ÉVACUATION

- ◆ En cas de rupture sur le circuit de réfrigérant durant les travaux de réparation ou tout autre tâche, toujours utiliser des méthodes conventionnelles. Il est cependant important d'appliquer les meilleures pratiques sachant qu'il existe un risque d'inflammation. Procéder comme suit : purger le fluide frigorigène ; purger le circuit avec du gaz inerte; évacuer le gaz et purger à nouveau avec du gaz inerte ; ouvrir le circuit en coupant et en soudant. Le réfrigérant sera récupéré dans les bidons de récupération prévus à cet effet. Le système sera « purgé » avec de l'OFN pour garantir le caractère sans danger de l'appareil. Il pourrait être nécessaire de répéter ce processus plusieurs fois. L'air comprimé ou l'oxygène ne doivent pas être utilisés pour cette tâche. Le rinçage doit être effectué en rompant le vide dans le système avec de l'OFN et le remplir jusqu'à obtention de la pression de travail. Puis le gaz sera expulsé dans l'atmosphère pour réduire le vide. Ce processus sera répété jusqu'à ce qu'il n'y ait plus de réfrigérant dans le système. Lorsque le dernier chargement d'OFN est utilisé, le système doit décharger la pression atmosphérique pour permettre l'exécution des travaux à effectuer. Cette opération est absolument nécessaire en cas de réalisation d'opérations de brasage. Veiller à ce que la sortie de la pompe à vide ne se trouve pas à proximité de source d'inflammation et que le système de ventilation fonctionne.

PROCÉDURES DE REMPLISSAGE

- ◆ Outre les procédures de remplissage conventionnelles, il est également essentiel de remplir les conditions suivantes.
- ◆ Vérifier l'absence de contamination des différents fluides frigorigènes lors de l'utilisation de l'équipement de remplissage. Les tuyaux ou lignes doivent être le plus courts possible afin de minimiser la quantité de réfrigérant à l'intérieur.
- ◆ Les bidons doivent être maintenus en position verticale.
- ◆ Vérifier que le système de refroidissement est mis à la terre avant de remplir le circuit de réfrigérant.
- ◆ Étiqueter le système une fois le remplissage terminé (si ce n'est pas le cas).
- ◆ Faire extrêmement attention à ne pas surcharger le système de refroidissement.
- ◆ Avant de remplir le système, effectuer un essai avec de l'OFN. Le système sera testé contre les fuites une fois le remplissage terminé et avant sa mise en service. Un second essai de fuite doit être effectué avant de quitter le site.

DÉMANTÈLEMENT

- ◆ Avant d'exécuter cette procédure, il est essentiel que le technicien soit parfaitement familiarisé avec l'équipement et tous ses éléments. Comme bonne pratique, il est recommandé que tous les fluides frigorigènes soient collectés de façon sécurisée. Avant de procéder au calibrage, un échantillon d'huile et de réfrigérant sera prélevé en cas de besoin d'une analyse avant de réutiliser le réfrigérant régénéré. Il est essentiel que l'énergie électrique soit disponible avant de commencer la tâche.
- ◆ a) Se familiariser avec l'équipement et son fonctionnement.
- ◆ b) Isoler le système électriquement.
- ◆ c) Avant d'effectuer la procédure, vérifier que : l'équipement de manutention mécanique soit disponible, si nécessaire, pour la manutention des bidons de fluide frigorigène ; tous les équipements de protection individuelle soient disponibles et utilisés correctement ; le processus de récupération est supervisé en permanence par une personne compétente ; les équipements et bidons de récupération répondent aux normes relatives.
- ◆ d) Pomper le système de réfrigérant, si possible.
- ◆ e) Si le vide n'est pas possible, utiliser un collecteur de réfrigérant pour extraire les différentes parties du système.
- ◆ f) Vérifier que le bidon se trouve sur la balance avant de procéder à la récupération.
- ◆ g) Démarrer la machine de récupération et suivre les instructions du fabricant.
- ◆ h) Ne pas trop remplir le bidon. (Pas plus de 80 % du volume de charge liquide).
- ◆ i) Ne pas dépasser la pression de travail maximum du bidon, même temporairement.
- ◆ j) Lorsque les bidons sont remplis correctement et que la procédure est terminée, vérifier que les bidons et l'équipement soient immédiatement retirés du site et que toutes les vannes d'isolement de l'équipement soient fermées.
- ◆ k) Le réfrigérant récupéré ne doit être chargé dans un autre système de refroidissement à moins qu'il ait été nettoyé et vérifié.

ÉTIQUETAGE

- ◆ L'équipement doit être étiqueté, indiquant qu'il a été désactivé et que le réfrigérant a été vidé. L'étiquette devra être datée et signée.
- ◆ S'assurer qu'aucune étiquette apposée sur l'équipement n'indique que ce dernier

contient du réfrigérant inflammable.

RÉCUPÉRATION

- ◆ Lorsque du réfrigérant est retiré d'un système, que ce soit pour entretien ou fermeture, il est recommandé d'appliquer les bonnes pratiques afin que tous les fluides frigorigènes soient éliminés en toute sécurité. Lors du transfert de réfrigérant dans les bidons, s'assurer que seuls les bidons de récupération de réfrigérant appropriés soient utilisés. S'assurer de disposer du nombre adéquat de bidon pour collecter l'intégralité du chargement du système. Tous les bidons qui seront utilisés sont conçus pour le réfrigérant récupéré spécifique, et étiquetés conformément à ce dernier (à savoir, des bidons spécialement conçus pour la récupération de fluide frigorigène). Les bidons doivent être équipés de soupapes de relâchement de pression et de vannes d'arrêt en bon état de fonctionnement. Les bidons de récupération vides doivent être évacués et, si possible, laissés refroidir jusqu'à la récupération.
- ◆ Le matériel de récupération doit être en bon état de fonctionnement et assorti d'instructions à portée de main. Il doit également être adapté à la récupération de réfrigérants inflammables. De plus, des balances calibrées en bon état de fonctionnement doivent être disponibles. Les tuyaux doivent disposer de raccords de déconnexion étanches et en bon état. Avant d'utiliser la machine de récupération, vérifier que celle-ci est en bon état de fonctionnement, que l'entretien a été effectué correctement et que tous les composants électriques associés sont scellés afin d'éviter tout déclenchement d'incendie en cas de relâchement du réfrigérant. En cas de doute, consulter le fabricant.
- ◆ Le réfrigérant récupéré sera retourné à son fournisseur dans le bidon de récupération correct avec apposition de la Note de transfert de déchets correspondante. Ne pas mélanger différents réfrigérants dans les unités de récupération et particulièrement pas dans les bidons.
- ◆ Si les compresseurs ou les huiles du compresseur doivent être retirés, s'assurer que ceux-ci sont évacués à un niveau acceptable afin de garantir que le réfrigérant inflammable ne reste pas dans le lubrifiant. Le processus d'évacuation aura lieu avant de renvoyer le compresseur aux fournisseurs. Pour accélérer ce processus, utiliser uniquement un chauffage électrique installé dans le corps du compresseur. Faire extrêmement attention en cas d'extraction d'huile d'un système.
- ◆ Compétence du personnel de service

Généralités

- ◆ Outre l'application des procédures habituelles de réparation des équipements de refroidissement, une formation spéciale supplémentaire est nécessaire en cas de travail sur des équipements contenant des fluides frigorigènes inflammables.
- ◆ Dans de nombreux pays, cette formation est fournie par des organismes nationaux de formation accrédités pour enseigner les normes de compétence nationales pertinentes établies par la législation.
- ◆ Cette formation doit être accompagnée d'un certificat.

Formation

La formation doit traiter les thèmes suivants :

- ◆ Informations sur le potentiel d'explosion des réfrigérants inflammables pour démontrer que les produits inflammables peuvent être dangereux s'ils sont manipulés de façon incorrecte.
- ◆ Informations sur les sources d'inflammation possibles, en particulier celles non évidentes telles que les briquets, les interrupteurs de lumière, les aspirateurs, les radiateurs électriques.

Informations sur les différents concepts de sécurité :

- ◆ Absence de ventilation (Voir la Clause GG.2) La sécurité de l'appareil ne dépend pas de la ventilation du boîtier. La déconnexion de l'appareil ou l'ouverture du boîtier n'a aucun effet significatif sur la sécurité. Toutefois, il est possible que le réfrigérant s'accumule avec fuites dans l'armoire, impliquant le dégagement d'une atmosphère inflammable lors de l'ouverture de l'armoire.
- ◆ Enceinte ventilée (Voir la Clause GG.4) La sécurité de l'appareil dépend de ventilation du boîtier. La déconnexion de l'appareil ou l'ouverture de l'armoire ont un effet significatif sur la sécurité. Il est important de garantir la ventilation au préalable.
- ◆ Pièce ventilée (Voir la Clause GG.5) La sécurité de l'appareil dépend de la ventilation de la pièce. La déconnexion de l'appareil ou l'ouverture du boîtier n'a aucun effet significatif sur la sécurité. La ventilation du logement ne devra pas être coupée durant les procédures de réparation.
- ◆ Informations sur le concept de composants scellés et enveloppes scellées conformément à la norme CEI 60079-15: 2010.
- ◆ Informations sur les procédures de travail correctes :

Mise en service

- ◆ Vérifier que le plancher puisse accueillir la charge de réfrigérant et que la conduite de ventilation soit assemblée correctement.
- ◆ Brancher les tuyaux et effectuer un test d'étanchéité avant de charger le réfrigérant.

- ◆ Vérifier les équipements de sécurité avant de mettre le système en service.

Entretien

- ◆ L'équipement portable doit être réparé en extérieur ou dans un atelier spécialement équipé pour la réparation des unités contenant des fluides frigorigènes inflammables.
- ◆ Garantir une ventilation suffisante dans le lieu de réparation.
- ◆ Noter que le dysfonctionnement de l'équipement peut être causé par la perte de réfrigérant et qu'une fuite de réfrigérant est possible.
- ◆ Décharger les condensateurs en évitant de générer des étincelles. La procédure standard de court-circuit des bornes du condensateur implique généralement la présence d'étincelles.
- ◆ Réinstaller les armoires scellées avec précision. Si les joints sont usés, les remplacer.
- ◆ Vérifier les équipements de sécurité avant de mettre le système en service.

Réparation

- ◆ L'équipement portable doit être réparé en extérieur ou dans un atelier spécialement équipé pour la réparation des unités contenant des fluides frigorigènes inflammables.
- ◆ Garantir une ventilation suffisante dans le lieu de réparation.
- ◆ Noter que le dysfonctionnement de l'équipement peut être causé par la perte de réfrigérant et qu'une fuite de réfrigérant est possible.
- ◆ Décharger les condensateurs en évitant de générer des étincelles.
- ◆ Lorsque des opérations de brasage, les procédures suivantes seront effectuées dans l'ordre indiqué ci-après :
 - ◆ Extraire le réfrigérant. Si les réglementations nationales ne nécessitent pas la récupération du réfrigérant, évacuer ce dernier vers l'extérieur. Veiller à ce que le réfrigérant vidangé n'implique aucun danger. En cas de doute, une personne doit en contrôler l'évacuation. Faire particulièrement attention que le réfrigérant vidangé ne flotte pas dans le bâtiment.
 - ◆ Évacuer le circuit de réfrigérant.
 - ◆ Purger le circuit de réfrigérant avec de l'azote pendant 5 minutes.
 - ◆ Évacuer à nouveau le réfrigérant.
 - ◆ Retirer les pièces qui seront remplacées par découpe, non par flamme.
 - ◆ Purger le point de soudage à l'azote durant le processus de brasage.
 - ◆ Effectuer un test d'étanchéité avant de charger le réfrigérant.
 - ◆ Réinstaller les armoires scellées avec précision. Si les joints sont usés, les remplacer.
 - ◆ Vérifier les équipements de sécurité avant de mettre le système en service.

Démantèlement

- ◆ Si la sécurité est affectée lorsque l'équipement est hors service, le réfrigérant devra être retiré avant la mise hors service.
- ◆ Garantir une ventilation suffisante sur le lieu d'installation de l'appareil.
- ◆ Noter que le dysfonctionnement de l'équipement peut être causé par la perte de réfrigérant et qu'une fuite de réfrigérant est possible.
- ◆ Décharger les condensateurs en évitant de générer des étincelles.
- ◆ Extraire le réfrigérant. Si les réglementations nationales ne nécessitent pas la récupération du réfrigérant, évacuer ce dernier vers l'extérieur. Veiller à ce que le réfrigérant vidangé n'implique aucun danger. En cas de doute, une personne doit en contrôler l'évacuation. Faire particulièrement attention que le réfrigérant vidangé ne flotte pas à nouveau dans le bâtiment.
- ◆ Évacuer le circuit de réfrigérant.
- ◆ Purger le circuit de réfrigérant avec de l'azote pendant 5 minutes.
- ◆ Évacuer à nouveau le réfrigérant.
- ◆ Remplir d'azote jusqu'à atteindre la pression atmosphérique.
- ◆ Placer une étiquette sur l'équipement indiquant que la procédure de retrait du réfrigérant est en cours.

Élimination

- ◆ Assurer une ventilation adéquate sur le lieu de travail.
- ◆ Extraire le réfrigérant. Si les réglementations nationales ne nécessitent pas la récupération du réfrigérant, évacuer ce dernier vers l'extérieur. Veiller à ce que le réfrigérant vidangé n'implique aucun danger. En cas de doute, une personne doit en contrôler l'évacuation. Faire particulièrement attention que le réfrigérant vidangé ne flotte pas à nouveau dans le bâtiment.
- ◆ Évacuer le circuit de réfrigérant.
- ◆ Purger le circuit de réfrigérant avec de l'azote pendant 5 minutes.
- ◆ Évacuer à nouveau le réfrigérant.
- ◆ Couper le compresseur et vidanger l'huile.
- ◆ Transport, marquage et stockage des unités utilisant des réfrigérants inflammables
- ◆ Transport d'équipements contenant des réfrigérants inflammables
- ◆ Nous attirons l'attention sur le fait de la possible existence de règlements supplé-

mentaires en matière de transport concernant les équipements contenant des gaz inflammables. Le nombre maximum d'équipements ou la configuration des équipements autorisés à un transport conjoint sera régulé par les règlements applicables en matière de transport.

Marquage des équipements avec des signes

- ◆ Les notices relatives à des appareils électroménagers similaires utilisés dans une zone de travail sont généralement traitées par la réglementation locale et prescrivent les critères minimums en matière de signalisation de sécurité et/ou d'adéquation à un lieu de travail.
- ◆ Tous les signes requis doivent être apposés et les employeurs doivent veiller à ce que les employés reçoivent une formation adéquate sur la signification des signes et des mesures de sécurité à prendre en relation à ces signaux.
- ◆ L'efficacité des signes ne doit pas être diminuée par un trop grand nombre de signes trop proches les uns des autres.
- ◆ Les pictogrammes utilisés doivent être aussi simples que possible et ne contenir que les éléments essentiels.

Élimination des équipements utilisant des réfrigérants inflammables

- ◆ Voir les réglementations nationales.
- ◆ Stockage de matériel / électroménagers
- ◆ Le stockage de l'équipement doit être effectué conformément aux instructions du fabricant.
- ◆ Stockage des équipements emballés (non vendus)
- ◆ La protection de l'emballage de stockage doit être réalisée de sorte que les dommages mécaniques sur l'équipement à l'intérieur de l'emballage ne provoquent pas de fuite de fluide frigorigène.
- ◆ Le nombre maximum d'équipements autorisés à un stockage conjoint sera déterminé par les réglementations locales.

Cet appareil est certifié conforme à la directive 2014/35/EU de basse tension, de même qu'à la directive 2014/30/EU en matière de compatibilité électromagnétique, à la directive 2011/65/EU relative à la limitation de l'utilisation de certaines substances dangereuses dans les équipements électriques et électroniques et à la directive 2009/125/EC pour la fixation d'exigences en matière d'écoconception applicable aux produits liés à l'énergie.

ENTFEUCHTER BXDH12E BXDH20E

Sehr geehrte Kundin

Wir danken Ihnen für Ihre Entscheidung, ein BLACK+DECKER Gerät zu kaufen.

Die Technologie, das Design und die Funktionalität dieses Produkts, das die anspruchsvollsten Qualitätsnormen erfüllt, werden Sie über viele Jahre zufriedenstellen.



Das Entfeuchter darf erst installiert oder verwendet werden nachdem diese Anleitung sorgfältig gelesen wurde. Diese Bedienungsanleitung sollte für eine eventuelle Produktgarantie und zukünftige Referenz gut aufbewahrt werden.

WARNUNG

- ◆ Es dürfen keine Mittel verwendet werden, um den Abbauprozess zu beschleunigen oder das Gerät zu reinigen, außer den vom Hersteller empfohlenen Methoden.
- ◆ Das Gerät muss in einem Raum ohne aktive Zündquellen gelagert werden (zum Beispiel offene Flammen, ein laufendes Gasgerät oder eine laufende Elektroheizung).
- ◆ Nicht bohren oder brennen.
- ◆ Beachten Sie, dass die Kältemittel geruchlos sein können.
- ◆ Das Gerät muss in einem Raum mit einer Bodenfläche von mehr als 4 m². installiert, betrieben und gelagert werden.

WARNUNG

- ◆ Spezifische Informationen zu Geräten mit Kältemittel R290.
- ◆ Lesen Sie alle Warnungen sorgfältig durch.
- ◆ Verwenden Sie beim Auftauen und Reinigen des Gerätes nur die vom Hersteller empfohlenen Werkzeuge.
- ◆ Das Gerät muss in einem Raum ohne aktive Zündquellen installiert werden (zum Beispiel offene Flammen, ein laufende Gasgeräte oder Elektrogeräte).
- ◆ Nicht bohren oder brennen.
- ◆ Dieses Gerät enthält Gramm Kühlgas 52 Gramm Kühlmittel R290.
- ◆ R290 Ist ein Kühlmittel, das den europäischen Umweltrichtlinien entspricht. Bohren Sie in keinen Teil des Kältemittelkreislaufs.
- ◆ Wenn das Gerät in einem nicht belüfteten Bereich installiert betrieben oder gelagert wird, muss der Raum so ausgelegt sein, dass eine Ansammlung von entweichenden Kältemitteln und die damit verbundene Brandgefahr oder Explosionsgefahr, aufgrund der Zündung des Kältemittels durch elektrische Heizungen, Öfen

oder andere Zündquellen, vermieden wird.

- ◆ Das Gerät muss so gelagert werden, dass ein mechanisches Versagen vermieden wird.
- ◆ Personen, die am Kältemittelkreislauf arbeiten oder diesen betreiben, müssen über eine entsprechende Zertifizierung von einer akkreditierten Organisation verfügen, um die Kompetenz im Umgang mit den Kältemitteln nach einer anerkannten spezifischen Bewertung der Industrieverbände zu gewährleisten.
- ◆ Die Reparaturen müssen auf Grundlage der Empfehlung des Herstellers erfolgen. Wartungs- und Reparaturarbeiten, welche die Unterstützung von anderem Fachpersonal erfordern, müssen unter der Aufsicht einer Person durchgeführt werden, die im Umgang von brennbaren Kältemitteln spezialisiert ist.
- ◆ Ratschläge und Sicherheitshinweise Personen, denen es an Wissen im Umgang mit dem Gerät mangelt, geistig behinderte Personen oder Kinder ab 8 Jahren dürfen das Gerät nur unter Aufsicht oder Anleitung über den sicheren Gebrauch des Gerätes, so dass sie die Gefahren, die von diesem Gerät ausgehen, verstehen, benutzen.
- ◆ Dieses Gerät ist kein Spielzeug. Kinder nicht unbeaufsichtigt lassen, um sicherzustellen, dass sie das Gerät nicht als Spielzeug verwenden.
- ◆ Kinder dürfen die Reinigung und Pflege des Geräts nur unter Aufsicht vornehmen.
- ◆ Das Gerät gemäß den nationalen Verkabelungsregeln installieren.
- ◆ Es muss ein Abstand von 50 cm zwischen den Wänden oder anderen Hindernissen und dem Gerät eingehalten werden. Decken Sie die Seitenteile des Geräts nicht ab, lassen Sie einen Freiraum von mindestens 50 cm rund um das Gerät.
- ◆ Das Gerät benötigt eine geeignete Lüftung zum Betrieb.
- ◆ Wenn der Netzanschluss beschädigt ist, muss er ersetzt werden. Bringen Sie das Gerät zu einem zugelassenen Technischen Kundendienst. Versuchen Sie nicht, das Gerät selbst auseinanderzubauen und zu reparieren. Dabei kann es zu Gefahrensituationen kommen.
- ◆ Dieser Apparat dient ausschließlich für Haushaltszwecke und ist für professionellen oder gewerblichen Gebrauch nicht geeignet.
- ◆ Vergewissern Sie sich, dass die Spannung auf dem Typenschild mit der Netzspannung übereinstimmt, bevor Sie den Apparat an das Stromnetz anschließen.
- ◆ Das Gerät an ein Stromnetz mit mindestens 10 Ampere anschließen.

- ◆ Der Stecker des Geräts muss mit dem Steckdosentyp des Stromanschlusses übereinstimmen. Der Gerätes-tecker darf unter keinen Umständen modifiziert werden. Keine Adapter für den Stecker verwenden.
- ◆ Nicht mit Gewalt am elektrischen Anschlusskabel ziehen. Benutzen Sie das elektrische Kabel nicht zum Anheben oder Transportieren des Geräts. Den Stecker nicht am Kabel aus der Dose ziehen.
- ◆ Kabel nicht um das Gerät rollen.
- ◆ Achten Sie darauf, dass das Elektrokabel nicht eingeklemmt oder geknickt wird.
- ◆ Achten Sie darauf, dass das elektrische Verbindungskabel nicht mit heißen Teilen des Geräts in Kontakt kommt.
- ◆ Überprüfen Sie den Zustand des elektrischen Verbindungskabels. Beschädigte oder verwickelte Kabel erhöhen das Risiko von elektrischen Schlägen.
- ◆ Es empfiehlt sich, durch den Einbau einer Differenzstromschutzeinrichtung mit einem Nennauslösestrom von nicht mehr als 30 mA einen zusätzlichen Schutz an der Elektroinstallation, die das Gerät versorgt, anzubringen. Konsultieren Sie einen Installateur.
- ◆ Berühren Sie den Stecker nicht mit feuchten Händen.
- ◆ Das Gerät darf nicht mit beschädigtem elektrischem Kabel oder Stecker verwendet werden.
- ◆ Sollte ein Teil der Geräteverkleidung strapaziert sein, ist die Stromzufuhr umgehend zu unterbrechen, um die Möglichkeit eines elektrischen Schlags zu vermeiden.
- ◆ Das Gerät nicht benutzen, wenn es heruntergefallen ist, sichtbare Schäden aufweist oder undicht ist.
- ◆ Dieses Gerät ist nicht für den Gebrauch im Außenbereich geeignet.
- ◆ Wenn das Gerät im selben Raum mit anderen Geräten oder Brenngasgeräten einsetzt wird, muss dieser über eine gute Lüftung verfügen.
- ◆ Nicht an Stellen platzieren, an denen das Gerät der direkten Sonneneinstrahlung ausgesetzt ist.
- ◆ Stellen Sie das Gerät auf eine ebene und stabile, für hohe Temperaturen geeignete Oberfläche, außer Reichweite von Hitzequellen und möglichen Wasserpfeizern.
- ◆ Das Gerät nicht im Freien benutzen oder aufbewahren.
- ◆ Das Gerät niemals Regen oder Feuchtigkeit aussetzen. Wasser, das eventuell in das Gerät gelangt, erhöht die Elektroschockgefahr.
- ◆ **WARNUNG:** Das Gerät nicht in Wassernähe benutzen.
- ◆ Nicht mit Gewalt am elektrischen Anschlusskabel ziehen. Benutzen Sie das elektrische Kabel nicht zum Anheben oder Transportieren des Geräts. Den Stecker nicht am Kabel aus der Dose ziehen. Das Gerät von Wärmequellen und scharfen Kanten fernhalten.

Benutzung und Pflege:

- ◆ Vor jedem Gebrauch des Geräts das Stromkabel vollständig abwickeln.
- ◆ Benützen Sie das Gerät nicht, wenn der An/Ausschalter nicht funktioniert. Nicht die Räder vom Gerät entfernen.
- ◆ Das Gerät nicht bewegen, während es in Betrieb ist.
- ◆ Verwenden die Griffe, um das Gerät zu heben oder zu tragen.
- ◆ Solange das Gerät in Betrieb oder ans Netz geschlossen ist, darf es nicht umgedreht werden.
- ◆ Ziehen Sie den Stecker heraus und lassen Sie das Gerät abkühlen, bevor Sie mit der Reinigung beginnen.
- ◆ Dieses Gerät darf nicht von Kindern und/ oder Personen mit eingeschränkten körperlichen, sensorischen oder geistigen Fähigkeiten bzw. ohne ausreichende Erfahrung und Kenntnisse verwendet werden.
- ◆ Das Gerät darf keinen extremen Temperaturen ausgesetzt werden. Das Gerät an einem trockenen, staubfreien und vor Sonnenlicht geschützten Ort aufbewahren. Das Gerät nie am Stromnetz angeschlossen und ohne Aufsicht lassen. Sie sparen dadurch Energie und verlängern die Gebrauchsdauer des Gerätes.
- ◆ Unsachgemäße Verwendung bzw. Nichteinhaltung der Gebrauchsanweisung kann Gefahren zur Folge haben und führt zum Erlöschen der Garantiesprüche sowie der Haftung des Herstellers.
- ◆ Entfernen und leeren Sie den Tank, bevor Sie das Gerät bewegen. Ausgeschüttetes Wasser kann Schäden an den Teilen im Inneren des Geräts verursachen.
- ◆ Verwenden Sie die Griffe und die Räder, um das Gerät einfach transportieren zu können und mögliche Verletzungen zu vermeiden.
- ◆ *(Nur Modell BXDH20E). Um die korrekte Funktion des Luftreinigungssystems zu gewährleisten, ersetzen Sie den HEPA-Filter ca. alle 2000 Nutzungsstunden. Wenden Sie sich für den Kauf von neuen Filtern an den technischen Service.

SERVICE

- ◆ Stellen Sie sicher, dass der Service repariert ist nur von Fachpersonal und Es werden nur Ersatzteile oder Zubehör verwendet Originale, um die Teile / Zubehör zu ersetzen vorhanden.
- ◆ Jeder Missbrauch oder Nichtübereinstimmung mit die Gebrauchsanweisung kann gefährlich sein, Aufhebung der Garantie und Verantwortung des Fabrikant.

BESCHREIBUNG

- A Transportgriff
- B Bedienungspaneel
- C Vorderes Bedienfeld
- D Hinteres Bedienfeld
- E Deckel des Frischwasserbehälters*
- F Griff des Frischwasserbehälters*
- G Wassertank
- H Räder
- I Rahmen des Filters
- J Entwässerungsausgang
- K Säule zur Kabelaufbewahrung
- L HEPA-Filter 13*
- M Abflussschlauch

SCHALTTAFEL

- 1 Zeituhr
- 2 Innere Trocknung
- 3 Luftgeschwindigkeit
- 4 Tank voll
- 5 LED-Display
- 6 Feuchtigkeitskontrolle
- 7 Modus / Trocknen von Wäsche
- 8 ON/OFF

(*) Nur für das BXDH20E verfügbar

Wenn Sie meinen, dass das Gerät nicht mit dem oben angeführten Zubehör ausgestattet ist, können Sie die Teile auch einzeln beim Technischen Kundendienst erwerben.

Installation

- ◆ Entfernen Sie unbedingt das gesamte Verpackungsmaterial aus dem Gerät.
- ◆ *(Nur Modell BXDH20E). Entfernen Sie den Rahmen des Filters. Nehmen Sie den HEPA-Filter aus der Plastiktüte und geben Sie ihn den für den Filter vorgesehenen Platz. Geben Sie den Rahmen wieder in den Filter. Stellen Sie sicher, dass er sich in der richtigen Position blockiert hat.

BENUTZUNGSHINWEISE

Vor Der Benutzung:

- ◆ Entfernen Sie unbedingt das gesamte Verpackungsmaterial aus dem Gerät.
- ◆ Manche Teile des Bügeleisens wurden leicht eingefettet, weshalb das Gerät bei der Erstanwendung ein bisschen dampfen kann. Nach kurzer Zeit wird dies aufhören.
- ◆ Um der auftretenden Geruchsentwicklung bei der ersten Inbetriebnahme entgegenzuwirken, wird empfohlen, das Gerät 2 Stunden lang auf höchster Stufe in einem gut belüfteten Raum in Betrieb zu lassen.

Benutzung:

- ◆ Vor Anschluss das Kabel völlig ausrollen. Schließen Sie das Gerät ans Netz an.
- ◆ Schließen Sie das Gerät an das Stromnetz an Stellen Sie das Gerät an, indem Sie den An-/Ausschalter betätigen.

Wählen Sie die gewünschte Funktion

MODUS:

- ◆ Drücken Sie die Modus-Taste (7), um den automatischen Modus oder den Modus Trocknen von Wäsche auszuwählen
- ◆ Im automatischen Modus funktioniert das Gerät, bis der ausgewählte Feuchtigkeits-Prozentsatz errichtet wurde. Der standardmäßige Prozentsatz beträgt 50 %. Lesen Sie für weitere Informationen den Abschnitt FUNKTION FEUCHTIGKEITSEINSTELLUNG
- ◆ Die Funktion Trocknen von Wäsche erlaubt es, die Trocknungszeit zu reduzieren, da die Feuchtigkeit verringert wird. Lesen Sie für weitere Informationen den Abschnitt FUNKTION TROCKNEN VON WÄSCHE:
- ◆ Die obere Betriebsleuchte zeigt den ausgewählten Modus an.

ZEITUHRFUNKTION:

- ◆ Drücken Sie die Timer-Taste (1), um diese Funktion zu aktivieren.
- ◆ Der LED-Bildschirm zeigt die ausgewählte Zeit an.
- ◆ Stellen Sie die Zeit ein, indem Sie die Taste sooft drücken, wie es nötig ist (1-24 h). Jedes Drücken fügt eine Stunde hinzu.

- ◆ Sobald die gewünschte Zeit erreicht ist, drücken Sie die Taste nicht mehr. Nach 5 Sekunden wird die ausgewählte Zeit bestätigt.
- ◆ Die obere Betriebsleuchte schaltet sich ein.
- ◆ Um die Konfigurierung des Timers zu stornieren, drücken Sie zweimal, nachdem die Zeit bestätigt wurde.

FUNKTION INNERE TROCKNUNG:

- ◆ Drücken Sie die Taste Innere Trocknung.
- ◆ Die obere Betriebsleuchte schaltet sich ein.
- ◆ Diese Funktion trocknet das Innere des Geräts, um Schimmelbildung zu vermeiden. Sie dauert ca. 1 Stunde.
- ◆ Der Entfeuchter gibt 30 Minuten lang bei hoher Geschwindigkeit kontinuierlich Luft ab. Dann geht er für weitere 20 Minuten auf niedrige Geschwindigkeit über.
- ◆ Zum Deaktivieren dieser Funktion drücken Sie die Taste erneut.
- ◆ Bevor Sie den Entfeuchter aufbewahren, aktivieren Sie diese Funktion, um Schimmelbildung in seinem Inneren zu vermeiden.

FUNKTION FEUCHTIGKEITSEINSTELLUNG:

- ◆ Diese Funktion ist nur im automatischen Modus verfügbar.
- ◆ Drücken Sie die Taste für Feuchtigkeitseinstellung (6).
- ◆ In diesem Moment wird ein Feuchtigkeits-Prozentsatz angezeigt. Jedesmal, wenn Sie die Taste drücken, erhöht sich der Prozentsatz der Feuchtigkeit um 5 %, bis er maximal 80 % erreicht, um dann zu 30 % zurückzukehren.
- ◆ Wenn der gewünschte Prozentsatz erreicht wurde, drücken Sie die Taste nicht mehr. Das Gerät funktioniert, bis die Feuchtigkeit des Raumes 5 % unter der gewählten liegt. Dann stoppt der Kompressor und der Ventilator läuft bei der gewählten Geschwindigkeit weiter.
- ◆ Der LED-Bildschirm zeigt die ausgewählte Zeit an.

FUNKTION TROCKNEN VON WÄSCHE *(NUR MODELL BXDH20E):

- ◆ Drücken Sie die Modus-Taste (7), um diese Funktion auszuwählen. Die obere Betriebsleuchte zeigt den ausgewählten Modus an.
- ◆ Diese Funktion aktiviert den Kompressor unabhängig von der Feuchtigkeit des Raumes. Dies erlaubt ein schnelleres Trocknen von Wäsche.
- ◆ Um die Funktion zu stornieren, drücken Sie erneut die Taste, der automatische Modus beginnt.

GESCHWINDIGKEIT DES VENTILATORS

- ◆ Drücken Sie die Taste des Ventilators (3) um die Geschwindigkeit (hoch oder niedrig) auszuwählen.
- ◆ Die obere Leuchte zeigt die ausgewählte Feuchtigkeit an.

KINDERSICHERUNG:

- ◆ Um diese Funktion zu aktivieren, halten Sie die Modus-Taste (7) mindestens 3 Sekunden lang gedrückt.
- ◆ Die Tasten der Bedientafel sind dann deaktiviert.
- ◆ Um die Tafel zu entblockieren, wiederholen Sie den Prozess.

DRAINAGE (WASSERTANK)

- ◆ Wenn der Tank voll wird, fängt das Symbol für den vollen Tank (4) an zu blinken. Das Gerät gibt eine akustische Warnung ab.
- ◆ Der Kompressor und der Ventilator hören auf zu funktionieren.
- ◆ Nehmen Sie den Wassertank heraus. Geben Sie die Hände in die Vertiefungen und nehmen Sie ihn vorsichtig heraus.
- ◆ Entfernen Sie den Deckel vom Wassertank* und leeren Sie ihn.
- ◆ Bringen Sie den Deckel wieder an und geben Sie den Tank wieder in seine Vorrichtung, um den Entfeuchter neu zu starten.

DRAINAGE (KONTINUIERLICHE DRAINAGE)

- ◆ Das Gerät bietet die Möglichkeit, den mitgelieferten Schlauch (Innendurchmesser 9 mm) für eine kontinuierliche Drainage an den Drainageausgang (J) anzuschließen.
- ◆ Um den Schlauch zu installieren, finden Sie den Drainageausgang, schrauben Sie die Abdeckung ab und nehmen Sie den Deckel heraus. Schließen Sie den Schlauch an den Ausgang an.
- ◆ Das untere Ende des Schlauches muss mindestens 10 cm unterhalb des Wasserausganges liegen.
- ◆ Das Schlauchende darf nicht im Wasser bleiben. Es muss an einem Ort installiert werden, der die kontinuierliche Drainage des Wassers erlaubt.
- ◆ Der Schlauch muss jederzeit gerade sein, damit das Wasser richtig abläuft.
- ◆ Für weitere Informationen hinsichtlich einer kontinuierlichen Drainage beachten Sie bitte folgende Fig. 1

Nach der Benutzung des Geräts:

- ◆ Das Gerät mit dem Ein/Ausschalter (8) ausschalten
- ◆ Den Stecker aus der Netzdose ziehen.
- ◆ Bewahren Sie das Kabel in der Säule für seine Lagerung auf.
- ◆ Reinigen Sie das Gerät.

Griffe und Räder*:

- ◆ Für ein leichtes und bequemes Tragen ist dieses Gerät an der Seite mit einem Tragegriff ausgestattet (A).
- ◆ *(Nur Modell BXDH20E). Das Gerät verfügt über 4 Räder (h) zur Erleichterung des Transports und Vermeidung von Unfällen.

REINIGUNG

- ◆ Ziehen Sie den Stecker heraus und lassen Sie das Gerät abkühlen, bevor Sie mit der Reinigung beginnen.
- ◆ Reinigen Sie die elektrische Einheit und den Netzstecker mit einem feuchten Tuch und trocknen Sie diese danach ab. NIEMALS IN WASSER ODER EINE ANDERE FLÜSSIGKEIT EINTAUCHEN.
- ◆ Reinigen Sie das Gerät mit einem feuchten Tuch mit ein paar Tropfen Reinigungsmittel.
- ◆ Verwenden Sie zur Reinigung des Geräts weder Löse- oder Scheuermittel noch Produkte mit einem sauren oder basischen pH-Wert wie z.B. Lauge.
- ◆ Lassen Sie kein Wasser oder andere Flüssigkeiten in die Belüftungsöffnungen eindringen, um Schäden an den inneren Funktionsteilen des Gerätes zu vermeiden.
- ◆ Das Gerät nicht in Wasser oder andere Flüssigkeiten tauchen und nicht unter den Wasserhahn halten.
- ◆ Halten Sie das Gerät nicht sauber, so könnten sich der Zustand seiner Oberfläche verschlechtern, seine Lebenszeit negativ beeinflusst und gefährliche Situationen verursacht werden.
- ◆ Vor der Montage und Aufbewahrung alle Teile gut trocknen.

Reinigen des Luftfilters:

- ◆ Reinigen Sie die Luftfilter alle 2 Wochen. Wenn Staub den Luftfilter verstopft, wird seine Wirkung reduziert.
- ◆ Waschen Sie die Filter, indem Sie diese vorsichtig in warmes Wasser mit einem neutralen Waschmittel tauchen, anschließend klarspülen und dann an einem schattigen Ort vollständig trocknen lassen.
- ◆ Setzen Sie dann die gereinigten Filter wieder ein.
- ◆ *(Nur Modell BXDH20E). Das Gerät verfügt über 4 Räder (H) zur Erleichterung des Transports und Vermeidung von Unfällen.

STÖRUNGEN UND REPARATUR

- ◆ Lösungen zur Behebung kleiner Störungen können Sie der folgenden Tabelle entnehmen:

Anomalien	Ursache	Lösung
Das Gerät funktioniert nicht.	Fällt der Stecker herunter?	Stecken Sie den Stecker in die Steckdose.
	Ist der Wassertank voll oder schlecht angebracht?	Entfernen Sie das Wasser aus dem Tank und bringen Sie ihn erneut an.
	Die Umgebungstemperatur beträgt unter 5°C oder über 32 °C.	Normales Phänomen Das Gerät funktioniert aus Sicherheitsgründen nicht.
Die Entfeuchtung ist nicht effizient.	Sind die Umgebungstemperatur oder die Feuchtigkeit zu niedrig?	Unter trockenen Bedingungen wird die Entfeuchtkapazität reduziert.
	Sind der Lufterein- und austritt blockiert?	Entfernen Sie die Objekte, die den Lufterein- und austritt blockieren.
Es tritt keine Luft aus.	Ist der Luftfilter blockiert?	Reinigen Sie den Filter gemäss der vorherigen Anweisungen.
Anomale Geräusche während des Betriebs.	Steht der Entfeuchter schräg oder befindet er sich in einer unstablen Position?	Bringen Sie den Entfeuchter in die Gerade.
	Ist der Luftfilter blockiert?	Reinigen Sie den Filter gemäß der vorherigen Anweisungen.
	Es ist ein Geräusch wie ein „leichtes Lachen“ zu hören.	Es handelt sich um das fließende Kühlmittel, das ist normal.
Wasserlecks.	Die Drainageverbindung hat sich gelockert.	Befestigen Sie den Drainageschlauch.
	Das Drainagesystem ist blockiert.	Entfernen Sie die Hindernisse und richten Sie den Schlauch gerade.
Es entsteht Raureif.	Die Temperatur ist zu niedrig und das Gerät wartet auf den Anti-Frost-Modus.	Es handelt sich um ein normales Phänomen und der Entfeuchter verfügt über eine automatische Anti-Frost-Funktion.
Wenn Sie die Lösung für Ihr Problem nicht in der Tabelle finden, setzen Sie sich mit dem technischen Service in Verbindung.		



Das Gerät enthält brennbares Kältemittel

- ◆ Für die EUAusführungen des Produkts und/ oder für Länder, in denen diese Vorschriften anzuwenden sind:

Ökologie und Recycling des Produkts

- ◆ Die zur Herstellung des Verpackungsmaterials dieses Geräts verwendeten Materialien sind im Sammel-, Klassifizierungs- und Recyclingsystem integriert. Wenn Sie es entsorgen möchten, können Sie die öffentlichen Container für die einzelnen Materialarten verwenden.
- ◆ Das Produkt ist frei von umweltschädlichen Konzentrationen von Substanzen.



Dieses Symbol weist darauf hin, dass das Produkt, wenn Sie es am Ende seiner Lebensdauer entsorgen wollen, in geeigneter Weise bei einer zugelassenen Entsorgungsstelle

- abgegeben ist, um die getrennte Sammlung von Elektrown Elektronikgeräte-Abfall (WEEE) sicherzustellen.

GARANTIE UND TECHNISCHER SERVICE

- ◆ Dieses Produkt ist von der gesetzlichen Garantie gemäss der geltenden Gesetzgebung geschützt. Um Ihre Rechte und Interessen geltend zu machen, müssen Sie eines unserer offiziellen Servicezentren aufsuchen. Über folgenden Link finden Sie ein Servicezentrum in Ihrer Nähe: <http://www.2helpu.com/> Sie können auch Informationen anfordern, indem Sie sich mit uns in Verbindung setzen (siehe letzte Seite des Handbuchs). Sie können dieses Benutzerhandbuch und seine Aktualisierungen unter <http://www.2helpu.com/>

ANWEISUNGEN ZUR REPARATUR VON GERÄTEN, DIE R290 ENHALTEN ALLGEMEINE ANWEISUNGEN

Kontrolle des Bereiches

- ◆ Vor Beginn der Arbeiten an Systemen, die brennbare Kältemittel enthalten, sind Sicherheitskontrollen erforderlich, um sicherzustellen, dass das Risiko einer Entzündung minimiert wird. Um das Kühlsystem zu reparieren, müssen die folgenden Vorsichtsmaßnahmen beachtet werden, bevor an dem System gearbeitet wird.

Arbeitsverfahren

- ◆ Die Arbeiten müssen mit einem kontrollierten Verfahren durchgeführt werden, um das

Risiko des Vorhandenseins eines entflammaren Gases oder Dampfes, während der Arbeiten zu minimieren.

Allgemeiner Arbeitsbereich

- ◆ Das gesamte Wartungspersonal und andere in der Umgebung tätige Personen erhalten Anweisungen über die Art der Arbeit, die ausgeführt wird. Arbeiten in engen Räumen müssen vermieden werden. Der Bereich um den Arbeitsbereich muss abgesperrt werden. Es muss sichergestellt werden, dass die Bedingungen in diesem Bereich durch die Kontrolle der brennbaren Materialien gesichert wurden.

DAS VORHANDENSEIN VON KÜHLMITTEL PRÜFEN

- ◆ Der Bereich muss vor und während der Arbeit mit einem geeigneten Kältemitteldetektor überprüft werden, um sicherzustellen, dass der Techniker die potenziell brennbaren Atmosphären kennt. Es muss sichergestellt werden, dass die verwendete Leckschutzgeräte für die Verwendung mit brennbaren Kältemitteln geeignet ist, das heißt, Antibeslag, ordnungsgemäße Abdichtung und eigensicher.

Vorhandensein von Feuerlöscher

- ◆ Wenn an der Kühleinrichtung oder an einem damit verbundenen Teil heiße Arbeiten durchgeführt werden sollen, müssen geeignete Feuerlöschgeräte zur Verfügung stehen. Es muss eine Trockenpulveroder CO2 Feuerlöscher im Arbeitsbereich vorhanden sein.

Keine Zündquellen

- ◆ Keine Person, die Arbeiten in Verbindung mit einem Kühlsystem ausführt, bei dem Rohrleitungen mit brennbaren Kältemittelanteilen exponiert werden, darf eine Zündquelle so verwenden, dass ein Brand oder eine Explosion verursacht werden kann. Alle möglichen Entzündungsquellen, einschließlich Zigaretten, müssen weit genug vom Installations-, Reparatur-, und Entsorgungsbereich, wo entflammare Kältemittel in den umgebenden Raum freigesetzt werden können, entfernt sein. Vor Beginn der Arbeiten muss der Bereich um das Gerät herum überprüft werden, um sicherzustellen, dass keine Brandgefahr oder Zündgefahr besteht. Es müssen Rauchverbotschilder angebracht werden.

Belüfteter Bereich

- ◆ Stellen Sie sicher, dass der Bereich geöffnet oder ausreichend belüftet ist, bevor Sie das System demontieren oder heiße Arbeiten ausführen. Während der Arbeitszeitraums, muss ein gewisses Maß an Belüftung aufrechterhalten werden. Die Belüftung muss das freigesetzte Kältemittel sicher verteilen und vorzugsweise extern in die Atmosphäre austreten lassen.

Kontrollen an den Kühlgeräten

- ◆ Wenn elektrische Komponenten ausgewechselt werden, müssen sie für den Zweck

und die richtige Spezifikation geeignet sein. Die Wartungs- und Instandhaltungsrichtlinien des Herstellers müssen jederzeit befolgt werden. Wenden Sie sich im Zweifelsfall an die technische Abteilung des Herstellers. Die folgenden Überprüfungen gelten für Einrichtungen, die brennbare Kältemittel verwenden: Die Größe der Ladung richtet sich nach der Größe des Raums, in dem die Kältemittel enthaltenden Teile installiert sind; Die Belüftungsgeräte und Ausgänge müssen ordnungsgemäß funktionieren und dürfen nicht blockiert sein; Bei Verwendung eines indirekten Kühlkreislaufs muss die Existenz von Kältemittel im Sekundärkreislauf überprüft werden; Die Markierung am Gerät muss sichtbar und lesbar sein. Unlesbare Schilder und Bezeichnungen müssen korrigiert werden; Rohre oder Kühlkomponenten müssen an einer Position installiert sein, an der es unwahrscheinlich ist, dass sie einer Substanz ausgesetzt sind, welche die Komponenten mit Kältemittel korrodieren können, es sei denn, die Bauteile bestehen aus korrosionsbeständigen Materialien oder sie ausreichend gegen Korrosion geschützt sind.

Kontrolle der elektrischen Geräte

- ◆ Die Reparatur und Wartung der elektrischen Komponenten müssen erste Sicherheitskontrollen und Prüfverfahren der Komponenten umfassen. Wenn ein Fehler vorliegt, der die Sicherheit beeinträchtigen könnte, darf die Versorgungsspannung nicht verbunden werden, bis eine zufriedenstellende Lösung gefunden wurde. Wenn der Fehler nicht sofort behoben werden kann, aber die Operation fortgesetzt werden muss, sollte eine entsprechende temporäre Lösung verwendet werden. Dies muss dem Eigentümer des Geräts gemeldet, so dass alle Parteien benachrichtigt werden.
- ◆ Die anfänglichen Sicherheitsprüfungen müssen sicherstellen, dass die Kondensatoren entladen sind: Dies muss auf eine sichere Art und Weise erfolgen, um mögliche Funkenbildung zu vermeiden; Beim Laden, Wiederherstellen oder Spülen des Systems dürfen keine aktiven elektrischen Kabel und Komponenten freigelegt werden; Der Erdschluss muss dauerhaft angeschlossen sein.

REPARATUREN ABGEDICHTETER KOMponentEN

- ◆ Bei der Reparatur abgedichteter Bauteile muss die Versorgungsspannung von den entsprechenden Geräten getrennt werden, bevor die Dichtungen usw. entfernt werden. Wenn eine dauerhafte Spannungsversorgung für den Betrieb während der Reparatur unbedingt erforderlich ist, muss sich die Leckerkennung an dem kritischsten Punkt befinden, um mögliche Gefahrensituationen zu melden.
- ◆ Bei der Arbeit mit elektrischen Bauteilen muss besonders darauf geachtet werden das Gehäuse nicht zu modifizieren, so dass keine Beeinträchtigung des Schutzniveaus verursacht wird. Dazu gehören auch beschädigte Kabel, übermäßige Anzahl an Verbindungen, Anschlüsse,
- ◆ die nicht den Originalspezifikationen entsprechen, beschädigte Dichtungen, falsch angezogene Kabeldurchführungen usw. Eine sichere Montage des Gerätes muss sichergestellt werden. Stellen Sie sicher, dass die Dichtungen oder Dichtungsmaterialien nicht abgenutzt sind und somit den Austritt von brennbaren Atmosphären nicht mehr verhindern. Ersatzteile müssen den Herstellerangaben entsprechen.
- ◆ HINWEIS: Die Verwendung von Silikon Dichtungsmittel kann die Wirksamkeit einiger Arten von Leckerkennungsgeräten verhindern. Eigensichere Komponenten dürfen nicht isoliert werden, bevor an ihnen gearbeitet wird.

REPARATUR VON EIGENSICHEREN KOMponentEN

- ◆ Legen Sie keine dauerhaften induktiven oder kapazitiven Lasten auf den Schaltkreis an, ohne sicherzustellen, dass die zulässige Spannung und Stromstärke für das verwendete Gerät nicht überschritten wird.
- ◆ Die eigensicheren Komponenten sind die einzigen Typen, die in Gegenwart von entflammenden Atmosphären funktionieren können. Das Prüfgerät muss über die richtige Eignung verfügen. Die Komponenten dürfen nur mit den vom Hersteller vorgegebenen Ersatzteilen, erneuert werden. Andere Bauteile können die Entzündung von Kältemittel in der Atmosphäre durch ein Leck verursachen.

VERKABELUNG

- ◆ Es muss sichergestellt werden, dass die Verkabelung keinem Verschleiß, Korrosion, übermäßigem Druck, Vibrationen, scharfen Kanten oder anderen nachteiligen Umwelteinflüssen ausgesetzt ist. Bei der Überprüfung müssen auch die Auswirkungen durch Abnutzung oder dauerhaften durch Vibrationsquellen wie Kompressoren oder Ventilatoren berücksichtigt werden.

ERKENNUNG VON ENTLAMMBAREN KÄLTEMITTELN.

- ◆ Unter keinen Umständen dürfen mögliche Zündquellen bei der Suche oder Erkennung von Kältemittellecks verwendet werden. Es darf kein Halogenbrenner verwendet werden (oder andere Detektoren, die offene Flammen verwenden).

METHODEN DER LECKERKENNUNG

- ◆ Die folgenden Methoden zur Leckerkennung gelten für Systeme, die brennbare Kältemittel enthalten. Es müssen elektronische Leckerkennungsgeräte verwendet werden, um brennbare Kältemittel zu erkennen, aber die Empfindlichkeit ist möglicherweise

nicht ausreichend oder erfordert eine Neukalibrierung. (Das Leckerkennungsgerät muss in einem Bereich ohne Kältemittel kalibriert werden). Es muss sichergestellt werden, dass der Detektor keine potentielle Zündquelle darstellt und für das verwendete Kältemittel geeignet ist. Die Gerät zur Leckerkennung muss mit dem LFL Prozentsatz des Kältemittels eingestellt werden und es muss mit dem verwendeten Kältemittel kalibriert und der entsprechende Prozentsatz des Gases bestätigt werden (max. 25%). Die Flüssigkeiten zur Leckerkennung sind für den Einsatz mit den meisten Kältemitteln geeignet, aber die Verwendung chlorhaltiger Reinigungsmittel sollte vermieden werden, da das Chlor mit dem Kältemittel reagieren und die Kupferrohre korrodieren kann. Wenn ein Leck vermutet wird, müssen alle offenen Flammen entfernt

- ◆ / gelöscht werden. Wenn ein Kühlmittelleck gefunden
- ◆ wird, das einen Hartlötvorgang erfordert, muss das gesamte Kältemittel aus dem System zurückgewonnen oder in einen entfernten Teil des Systems vom Leck isoliert werden (mittels Absperrventilen). Vor und während des Lötprozesses muss Sauerstofffreier Stickstoff (OFN) durch das System gespült werden.

EXTRAKTION UND EVAKUIERUNG

- ◆ Wenn der Kältemittelkreislauf für Reparaturen oder für andere Zwecke unterbrochen wird, müssen konventionelle Verfahren verwendet werden. Aufgrund der vorhandenen Brandgefahr ist es wichtig, dass die besten Praktiken befolgt werden. Das folgende Verfahren muss beachtet werden: Das Kühlmittel entfernen; Den Kreislauf mit Schutzgas spülen; Evakuieren; Erneut mit Schutzgas spülen; Den Kreislauf durch Schneiden oder Schweißen öffnen. Die Kältemittelfüllung muss in geeigneten Rückgewinnungszylindern zurückgewonnen werden. Das System muss in OFN „gespült werden“, um das einen sicheren Betriebszustand zu erreichen. Dieser Prozess muss möglicherweise mehrmals wiederholt werden. Es darf keine Druckluft oder Sauerstoff für diesen Vorgang verwendet werden. Das Spülen sollte erreicht werden, indem das Vakuum im OFN System unterbrochen wird und dann befüllt wird, bis der Arbeitsdruck erreicht ist, dann wird in die Atmosphäre ausgestoßen und schließlich auf Vakuum reduziert. Dieser Vorgang muss wiederholt werden, bis sich kein Kältemittel mehr im System befindet. Wenn die letzte OFN Füllung verwendet wird, muss das System bei Atmosphärendruck entladen werden, damit die Arbeit ausgeführt werden kann. Dieser Vorgang ist unbedingt erforderlich, wenn Lötarbeiten an einer Rohrleitung durchgeführt werden sollen. Stellen Sie sicher, dass sich der Auslass der Vakuumpumpe nicht in der Nähe einer Zündquelle befindet und dass eine Belüftung vorhanden ist.

FÜLLVORGANG

- ◆ Zusätzlich zu herkömmlichen Füllvorgängen müssen die folgenden Anforderungen eingehalten werden.
- ◆ Stellen Sie sicher, dass bei der Verwendung der Füllgeräte keine Kontamination mit verschiedenen Kältemitteln auftritt. Die Schläuche oder Leitungen müssen so kurz wie möglich gehalten werden, um die Menge der enthaltenden Kältemittel zu minimieren.
- ◆ Die Zylinder müssen in aufrechter Position gehalten werden.
- ◆ Die Erdung des Kühlsystems muss sichergestellt werden bevor es mit Kältemittel befüllt wird.
- ◆ Das System, muss nach Abschluss des Füllvorgangs entsprechend beschildert werden (wenn nicht vorhanden).
- ◆ Es muss sehr darauf geachtet werden, dass das Kühlsystem überfüllt wird.
- ◆ Bevor das System wieder aufgefüllt wird, muss es einem OFN Drucktest unterzogen werden. Nach Abschluss des Füllvorgangs, aber vor der Inbetriebnahme, muss das System auf Dichtheit geprüft werden. Vor dem Verlassen der Baustelle muss ein Nachfolge Lecktest durchgeführt werden.

DEMONTAGE

- ◆ Vor der Durchführung dieses Verfahrens, ist es wichtig, dass der Techniker mit dem Gerät und all seinen Details vertraut ist. Es wird empfohlen, dass alle Kältemittel sicher zurückgewonnen werden. Vor Durchführung der Aufgabe muss eine Öl und Kältemittelprobe entnommen werden, falls eine Analyse vor der Wiederverwendung des regenerierten Kältemittels erforderlich ist. Es ist wichtig, dass die Spannung verfügbar ist, bevor die Aufgabe gestartet wird.
- ◆ a) Machen Sie sich mit dem Gerät und seiner Funktion vertraut.
- ◆ b) Das System muss elektrisch isoliert werden.
- ◆ c) Vor der Durchführung des Verfahrens muss sichergestellt werden; Dass die mechanischen Handhabungsgeräte für den Umgang mit Kühlmittelzylindern, wenn notwendig, zur Verfügung stehen; Dass alle persönlichen Schutzausrüstungen verfügbar sind und korrekt verwendet werden; Dass der Wiederherstellungsprozess zu jeder Zeit von einer kompetenten Person überwacht wird; Dass die Geräte und Rückgewinnungszylinder den entsprechenden Standards entsprechen.
- ◆ d) Pumpen Sie das Kältesystem durch, wenn möglich.
- ◆ e) Wenn kein Vakuum erzeugt werden kann, muss ein Sammelsystem erstellt werden, um das Kältemittel aus verschiedenen Teilen des Systems zu entfernen.
- ◆ f) Stellen Sie sicher, dass sich der Rückgewinnungszylinder auf der Waage befindet, bevor die Rückgewinnung erfolgt.

- ◆ g) Der Rückgewinnungsmotor muss eingeschaltet und gemäß den Anweisungen des Herstellers betrieben werden.
- ◆ h) Zylinder nicht überfüllen. (Nicht mehr als 80% der Füllmenge).
- ◆ i) Der maximalen Betriebsdruck des Zylinders darf nicht überschritten werden, auch nicht vorübergehend.
- ◆ j) Nach der richtigen Füllung der Zylinder und Abschluss des Prozesses, muss sichergestellt werden, dass die Flaschen und Geräte sofort vom Standort entfernt werden und dass alle Absperrventile am Gerät geschlossen sind.
- ◆ k) Das rückgewonnene Kältemittel darf nicht in ein anderes Kühlsystem geladen werden, es sei denn, es wurde gereinigt und verifiziert.

KENNZEICHNUNG

- ◆ Das Gerät muss gekennzeichnet werden, um anzuzeigen, dass es deaktiviert und das Kältemittel entfernt wurde. Die Kennzeichnung muss datiert und unterzeichnet sein.
- ◆ Es muss sichergestellt werden, dass eine korrekte Kennzeichnung mit den Hinweis auf entflammables Kältemittel auf dem Gerät angebracht ist.

ZUBRINGERSYSTEM

- ◆ Wenn Kältemittel aus einem System entfernt wird, entweder zur Wartung oder zur Entsorgung, wird empfohlen, dass gesamte Kältemittel sicher zu entsorgen. Beim Umfüllen der Kältemittel in die Zylinder muss sichergestellt werden, dass nur geeignete Rückgewinnungszylinder verwendet werden. Es muss sichergestellt werden, dass die korrekte Anzahl an Zylindern für die Rückgewinnung der gesamten Menge im System, verfügbar ist. Alle Zylinder, die verwendet werden, müssen für das zurückgewonnene Kältemittel ausgelegt sein und für dieses Kältemittel gekennzeichnet sein (Das heißt, spezielle Zylinder für die Rückgewinnung von Kältemitteln). Die Zylinder müssen mit allen Druckentlastungsventilen und den dazugehörigen Absperrventilen in einwandfreiem Zustand ausgestattet sein. Die leeren Rückgewinnungszylinder müssen vor der Rückgewinnung evakuiert und, wenn möglich, gekühlt werden.
- ◆ Die Ausrüstung zur Rückgewinnung muss sich in einem einwandfreien Zustand befinden und eine Reihe von Anweisungen für das jeweilige Gerät einhalten, sowie für die Rückgewinnung brennbarer Kältemittel geeignet sein. Darüber hinaus muss ein Satz kalibrierter Waagen verfügbar und funktionsfähig sein. Die Schläuche müssen mit leckagefreien Kupplungen versehen und in gutem Zustand sein. Vor der Verwendung des Rückgewinnungsgeräts muss sichergestellt werden, dass es ordnungsgemäß funktioniert, dass es ordnungsgemäß gewartet wurde und dass alle zugehörigen elektrischen Komponenten abgedichtet sind, um eine Zündung zu verhindern, falls Kältemittel freigesetzt wird. Bei Fragen, wenden Sie sich an den Hersteller.
- ◆ Das rückgewonnene Kältemittel muss dem Kältemittelhersteller im richtigen Rückgewinnungszylinder zurückgegeben werden, und der entsprechende Überweisungsnachweis angebracht werden. Die Kältemittel dürfen in Rückgewinnungseinheiten, insbesondere in Zylindern nicht gemischt werden.
- ◆ Wenn Kompressoren oder Kompressoröle entfernt werden, muss sichergestellt werden, dass sie auf ein akzeptables Niveau evakuiert wurden, damit keine brennbaren Kältemittel im Schmiermittel verbleiben. Bevor der Kompressor an den Lieferanten zurückgesendet wird, muss der Evakuiererschleichen, sollte eine elektrische Heizung im Gehäuse des Kompressors verwendet werden. Das Öl darf nur auf sichere Art und Weise aus einem System extrahiert werden.

Kompetenz des Servicepersonals

Allgemein

- ◆ Beim Umgang von Geräten mit brennbaren Kältemitteln, ist eine spezielle Schulung, zusätzlich zu den üblichen Verfahren zur Reparatur von Kühlgeräten erforderlich.
- ◆ In vielen Ländern wird diese Ausbildung von anerkannten, nationalen Ausbildungsorganisationen durchgeführt, um die relevanten nationalen Kompetenzstandards zu vermitteln, die in den Rechtsvorschriften festgelegt sein können.
- ◆ Die erreichte Kompetenz muss durch ein Zertifikat dokumentiert werden.

Ausbildung

- ◆ Die Ausbildung sollte folgende Inhalte beinhalten:
 - ◆ Informationen zum Explosionspotential von entflammaren Kältemitteln, die darstellen, dass brennbare Produkte bei unsachgemäßem Umgang gefährlich sein können.
 - ◆ Informationen über mögliche Zündquellen, insbesondere solche, die nicht offensichtlich sind, wie Feuerzeuge, Lichtschalter, Staubsauger, elektrische Heizungen.
 - ◆ Informationen zu den verschiedenen Sicherheitskonzepten:
 - ◆ Ohne Belüftung (siehe Abschnitt GG.2) Die Sicherheit des Gerätes hängt nicht von der Belüftung des Gehäuses ab. Die Abschaltung des Gerätes oder das Öffnen des Gehäuses hat keinen wesentlichen Einfluss auf die Sicherheit. Austretendes Kältemittel kann sich jedoch im Gehäuse ansammeln und beim Öffnen des Gehäuses eine entflammare Atmosphäre freisetzen.
 - ◆ Belüftete Umgebung (siehe Abschnitt GG.4) Die Sicherheit des Gerätes hängt von

der Belüftung des Gehäuses ab. Die Abschaltung des Gerätes oder das Öffnen des Schaltschranks hat einen wesentlichen Einfluss auf die Sicherheit. Es ist darauf zu achten, dass zuvor eine ausreichende Belüftung gewährleistet ist.

- ◆ Belüfteter Raum (siehe Abschnitt GG.5) Die Sicherheit des Gerätes hängt von der Belüftung des Raumes ab. Die Abschaltung des Gerätes oder das Öffnen des Gehäuses hat keinen wesentlichen Einfluss auf die Sicherheit. Die Belüftung des Raumes darf während der Reparatur nicht unterbrochen werden.
- ◆ Informationen zum Konzept von abgedichteten Bauteilen und abgedichteten Gehäusen nach IEC 6007915: 2010.

Informationen über korrekte Arbeitsverfahren:

Inbetriebnahme

- ◆ Es muss sichergestellt werden, dass die Raumgröße ausreichend für die Kältemittelfüllung oder dass der Belüftungskanal richtig montiert wurde.
- ◆ Die Rohre anschließen und vor dem Einfüllen des Kältemittels einen Lecktest durchführen.
- ◆ Vor der Inbetriebnahme müssen die Sicherheitsvorrichtungen überprüft werden.

Instandhaltung

- ◆ Das tragbare Gerät muss im Freien oder in einer speziell eingerichteten Werkstatt repariert werden, um die Einheiten mit entflammaren Kältemitteln zu reparieren.
- ◆ Es muss für ausreichende Belüftung am Reparaturort gesorgt werden.
- ◆ Es sollte beachtet werden, dass die Fehlfunktion des Gerätes durch Kühlmittelverlust verursacht werden kann und dass ein Kühlmittelleck vorhanden sein kann.
- ◆ Die Kondensatoren müssen so entladen werden, dass dabei keine Funken entstehen können. Im Allgemeinen, werden beim Standardverfahren zum Kurzschließen der Kondensatoranschlüsse, Funken erzeugt.
- ◆ Sie abgedichteten Gehäuse müssen mit Präzision wieder zusammengesetzt werden. Wenn die Dichtungen abgenutzt sind, müssen diese ersetzt werden.
- ◆ Vor der Inbetriebnahme müssen die Sicherheitsvorrichtungen überprüft werden.

Reparieren

- ◆ Das tragbare Gerät muss im Freien oder in einer speziell eingerichteten Werkstatt repariert werden, um die Einheiten mit entflammaren Kältemitteln zu reparieren.
- ◆ Es muss für ausreichende Belüftung am Reparaturort gesorgt werden.
- ◆ Es sollte beachtet werden, dass die Fehlfunktion des Gerätes durch Kühlmittelverlust verursacht werden kann und dass ein Kühlmittelleck vorhanden sein kann.
- ◆ Die Kondensatoren müssen so entladen werden, dass dabei keine Funken entstehen können.
- ◆ Wenn Hartlöten erforderlich ist, werden die folgenden Verfahren in der richtigen Reihenfolge ausgeführt:
 - ◆ Kühlmittel entfernen. Wenn die nationalen Vorschriften keine Rückgewinnung erfordern, kann das Kühlmittel nach außen abgelassen werden. Es muss darauf geachtet werden, dass keine Gefahr von dem abgelassenen Kühlmittel ausgeht. Im Zweifelsfall muss eine Person den Ausfluss überwachen. Es muss besonders darauf geachtet werden, das abgelassene Kühlmittel nicht innerhalb des Gebäudes abzulassen.
 - ◆ Den Kältemittelkreislauf evakuieren.
 - ◆ Der Kältemittelkreislauf muss 5 Minuten lang mit Stickstoff gespült werden.
 - ◆ Danach erneut evakuieren.
 - ◆ Alle Teile entfernen, die durch Schneiden aber nicht durch schweißen, gelöst werden können.
 - ◆ Der Lötspitzenpunkt muss während des Hartlötvorgangs mit Stickstoff gespült werden.
- ◆ Vor dem Einfüllen des Kältemittels muss ein Lecktest durchgeführt werden.
- ◆ Sie abgedichteten Gehäuse müssen mit Präzision wieder zusammengesetzt werden. Wenn die Dichtungen abgenutzt sind, müssen diese ersetzt werden.
- ◆ Vor der Inbetriebnahme müssen die Sicherheitsvorrichtungen überprüft werden.

Demontage

- ◆ Wenn die Sicherheit bei der Außerbetriebnahme beeinträchtigt wird, muss das Kältemittel vor der Entsorgung entfernt werden.
- ◆ Es muss für ausreichende Belüftung am Aufstellungsort gesorgt werden.
- ◆ Es sollte beachtet werden, dass die Fehlfunktion des Gerätes durch Kühlmittelverlust verursacht werden kann und dass ein Kühlmittelleck vorhanden sein kann.
- ◆ Die Kondensatoren müssen so entladen werden, dass dabei keine Funken entstehen können.
- ◆ Kühlmittel entfernen. Wenn die nationalen Vorschriften keine Rückgewinnung erfordern, kann das Kühlmittel nach außen abgelassen werden. Es muss darauf geachtet werden, dass keine Gefahr von dem abgelassenen Kühlmittel ausgeht. Im Zweifelsfall muss eine Person den Ausfluss überwachen. Es muss besonders darauf geachtet werden, das abgelassene Kühlmittel nicht innerhalb des Gebäudes abzulassen.
- ◆ Den Kältemittelkreislauf evakuieren.

- ◆ Der Kältemittelkreislauf muss 5 Minuten lang mit Stickstoff gespült werden.
- ◆ Danach erneut evakuieren.
- ◆ Dann mit Stickstoff bis atmosphärischen Druck auffüllen.
- ◆ Eine Kennzeichnung welche die Entfernung des Kühlmittels anzeigt, auf das Gerät anbringen.

Lagerung von Geräten / Elektrogeräten

- ◆ Eine ausreichende Belüftung am Arbeitsplatz muss sichergestellt werden.
- ◆ Kühlmittel entfernen. Wenn die nationalen Vorschriften keine Rückgewinnung erfordern, kann das Kühlmittel nach außen abgelassen werden. Es muss darauf geachtet werden, dass keine Gefahr von dem abgelassenen Kühlmittel ausgeht. Im Zweifelsfall muss eine Person den Ausfluss überwachen. Es muss besonders darauf geachtet werden, das abgelassene Kühlmittel nicht innerhalb des Gebäudes abzulassen.
- ◆ Den Kältemittelkreislauf evakuieren.
- ◆ Der Kältemittelkreislauf muss 5 Minuten lang mit Stickstoff gespült werden.
- ◆ Danach erneut evakuieren.
- ◆ Den Kompressor abtrennen und das Öl ablassen.

Transport, Kennzeichnung und Lagerung von Geräten, mit brennbaren Kältemitteln

Transport von Geräten, die brennbare Kältemittel enthalten

- ◆ Es wird darauf hingewiesen, dass möglicherweise zusätzliche Transportvorschriften für Geräte mit brennbaren Gasen bestehen. Die maximale Anzahl der Geräte oder die Konfiguration der Geräte, die zusammen transportiert werden dürfen, richtet sich nach den geltenden Transportvorschriften.

Kennzeichnung von Geräten mit Zeichen

- ◆ Die Hinweisschilder für ähnliche Geräte, die am Arbeitsbereich verwendet werden, müssen im Allgemeinen nach den Mindestanforderungen für die Bereitstellung von Kennzeichnungen für Sicherheit und Gesundheitsschutz am Arbeitsplatz, nach den örtlichen Vorschriften erfolgen.
- ◆ Alle erforderlichen Schilder müssen erhalten werden und die Arbeitgeber müssen sicherstellen, dass die Mitarbeiter angemessen und ausreichend in Bezug auf die Bedeutung der entsprechenden Sicherheitssignale und Maßnahmen in Bezug auf diese Schilder geschult und ausgebildet werden.
- ◆ Die Wirksamkeit der Schilder darf nicht durch zu viele, zusammen angebrachte Schilder, verringert werden.
- ◆ Jedes verwendete Symbol sollte so einfach wie möglich gehalten werden und nur wesentliche Details enthalten.

Entsorgung von Geräten, mit brennbaren Kältemitteln

- ◆ Siehe nationale Vorschriften.
- ◆ Die Lagerung des Gerätes muss den Anweisungen des Herstellers entsprechen.
- ◆ Lagerung von verpackten Geräten (nicht verkauft)
- ◆ Die Verpackung zur Lagerung muss über einen ausreichenden Schutz verfügen, so dass eine mechanische Beschädigung des Geräts in der Verpackung nicht zu einem Austritt der Kältemittelfüllung führt.
- ◆ Die maximale Anzahl der Geräte, die zusammen gelagert werden dürfen, richtet sich nach den örtlichen Vorschriften.

Dieses Gerät erfüllt die Richtlinie 2014/35/EU über Niederspannung, die Richtlinie 2014/30/EU über elektromagnetische Verträglichkeit, die Richtlinie 2011/65/EU zur Beschränkung der Verwendung bestimmter gefährlicher Stoffe in Elektro- und Elektronikgeräten und die Richtlinie 2009/125/EC über die Anforderungen an die umweltgerechte Gestaltung energiebetriebener Produkte.

DEUMIDIFICATORE BXDH12E BXDH20E

Egregio cliente,

Le siamo grati per aver acquistato un elettrodomestico della marca BLACK+DECKER.

La sua tecnologia, il suo design e la sua funzionalità, oltre al fatto di aver superato le più rigorose norme di qualità, le assicureranno una totale e durevole soddisfazione.



Non installare né utilizzare il deumidificatore prima di aver letto attentamente questo manuale. Conservare questo manuale di istruzioni per un'eventuale garanzia del prodotto e come riferimento per il futuro.

AVVERTENZA

- ◆ Non utilizzare mezzi non raccomandati dal fabbricante per accelerare il processo di scongelamento o per la pulizia.
- ◆ L'apparecchio deve essere riposto in una stanza dove non siano presenti fonti di ignizione che funzionino continuamente (ad esempio: fiamme libere, un apparecchio a gas in funzionamento o uno scaldabagno elettrico in funzionamento).
- ◆ Non perforare né bruciare.
- ◆ Tenere in considerazione che i refrigeranti possono non avere odore.
- ◆ Il dispositivo deve essere installato, messo in funzionamento e riposto in una stanza con una superficie a pavimento superiore a 4 m².

AVVERTENZA

- ◆ Informazioni specifiche per apparecchi contenenti gas refrigerante R290.
- ◆ Leggere attentamente tutte le avvertenze.
- ◆ Al momento di scongelare e pulire l'apparecchio, non utilizzare strumenti non raccomandati dalla ditta che lo produce.
- ◆ L'apparecchio deve essere posizionato in un'area priva di fonti di ignizione continua (ad esempio: fiamme libere, gas o apparecchi elettrici in funzionamento).
- ◆ Non perforare né bruciare.
- ◆ Questo apparecchio contiene 52 grammi di gas refrigerante R290.
- ◆ R290 è un gas refrigerante che rispetta le norme europee sull'ambiente. Non perforare alcuna parte del circuito di raffreddamento.
- ◆ Se l'apparecchio è installato, fatto funzionare o riposto in un'area non ventilata, la stanza deve essere progettata per evitare l'accumulo di fughe di refrigerante, che creano un rischio di incendio o di esplosione in seguito

all'ignizione del refrigerante causata da scaldabagni elettrici, stufe o altre fonti di ignizione.

- ◆ L'apparecchio deve essere riposto in modo da evitare guasti meccanici.
- ◆ Le persone che maneggiano o lavorano sul circuito di refrigerante devono possedere la relativa certificazione, emessa da un'ente omologato, che garantisca la competenza nella manipolazione di refrigeranti, secondo una valutazione specifica, riconosciuta dalle associazioni dell'industria.
- ◆ Le riparazioni devono essere eseguite secondo le raccomandazioni della ditta produttrice. La manutenzione e le riparazioni che richiedano l'assistenza di altro personale certificato devono essere eseguite sotto la vigilanza di una persona specializzata nell'uso di refrigeranti infiammabili.
- ◆ Consigli e avvertenze per la sicurezza
- ◆ Questo apparato può essere utilizzato da persone che non ne conoscono il funzionamento, persone disabili o bambini di età superiore agli 8 anni, ma esclusivamente sotto la sorveglianza di un adulto o nel caso abbiano ricevuto le dovute istruzioni per utilizzarlo in completa sicurezza e ne comprendano i rischi.
- ◆ Questo apparecchio non è un giocattolo. Assicurarci che i bambini non giochino con l'apparecchio.
- ◆ Non permettere che i bambini eseguano pulizia o manutenzione senza supervisione.
- ◆ Installare l'apparecchio rispettando le norme nazionali di cablaggio.
- ◆ Lasciare uno spazio di 50 cm fra le pareti o altri ostacoli e l'apparecchio. Non coprire od ostruire i lati dell'apparecchio: lasciare uno spazio di almeno 50 cm intorno all'apparecchio.
- ◆ Per funzionare correttamente, l'apparecchio necessita un'adeguata ventilazione.
- ◆ Se cavo di collegamento alla rete fosse danneggiato, non tentare di sostituirlo. Portare l'apparecchio a un servizio di assistenza tecnica autorizzato. Non tentare di smontare o riparare l'apparecchio: può essere pericoloso.
- ◆ Questo apparecchio è destinato unicamente all'uso domestico, non professionale o industriale.
- ◆ Prima di collegare l'apparecchio alla rete elettrica, verificare che il voltaggio indicato sulla targhetta caratteristica e il selettore di voltaggio corrispondano al voltaggio della rete.

- ◆ Collegare l'apparecchio a una presa di corrente che sopporti come minimo 10 ampere.
- ◆ Verificare che la presa sia adatta alla spina dell'apparecchio. Non apportare alcuna

modifica alla spina. Non usare adattatori.

- ◆ Non tirare il cavo elettrico. Non usare mai il cavo elettrico per sollevare, trasportare o scollegare l'apparecchio.
- ◆ Non avvolgere il cavo di alimentazione attorno all'apparecchio.
- ◆ Verificare che il cavo elettrico non sia danneggiato né piegato.
- ◆ Non lasciare il cavo di connessione pendente o entri a contatto con le superfici calde dell'apparecchio.
- ◆ Controllare lo stato del cavo di alimentazione: I cavi danneggiati o attorcigliati aumentano il rischio di scariche elettriche.
- ◆ Si raccomanda, come ulteriore protezione nell'installazione elettrica che alimenta l'apparecchio, di utilizzare un dispositivo di corrente differenziale con una sensibilità massima di 30 mA. Rivolgersi a un installatore qualificato per ottenere consigli a riguardo.
- ◆ Non toccare mai la spina con le mani bagnate.
- ◆ Non utilizzare l'apparecchio se il cavo di alimentazione o la spina fossero danneggiati.
- ◆ In caso di rottura di una parte dell'involucro esterno dell'apparecchio, scollegare immediatamente la spina dalla presa di corrente al fine di evitare eventuali scariche elettriche.
- ◆ Non usare l'apparecchio dopo una caduta, se presenta danni visibili o in presenza di qualsiasi perdita.
- ◆ Utilizzare l'apparecchio in una zona ben ventilata.
- ◆ Quando l'apparecchio viene utilizzato in una stanza con altri apparecchi a gas o di combustibile, sarà ben ventilata.
- ◆ Non esporre l'apparecchio alla luce diretta del sole.
- ◆ Appoggiare l'apparecchio su una superficie orizzontale, stabile e adatta a sopportare temperature elevate, lontano da altre sorgenti di calore e da possibili schizzi d'acqua.
- ◆ Non usare o esporre l'apparecchio alle intemperie.
- ◆ Non lasciare l'apparecchio sotto la pioggia o in luoghi umidi. Le infiltrazioni d'acqua aumentano il rischio di scariche elettriche.
- ◆ **AVVERTENZA:** Non usare l'apparecchio in prossimità di acqua.
- ◆ Non tirare il cavo elettrico. Non usare mai il cavo elettrico per sollevare, trasportare o scollegare l'apparecchio.
- ◆ Mantenere l'apparecchio lontano da fonti di calore e da angoli spigolosi.

Precauzioni d'uso:

- ◆ Dopo di ogni utilizzo, svolgere completamente il cavo dell'apparecchio.
- ◆ Non utilizzare l'apparecchio se il suo dispositivo di accensione/spegnimento non è funzionante. Non togliere i piedini dell'apparecchio. Non muovere l'apparecchio durante l'uso.
- ◆ Utilizzare il manico/i per prendere o spostare l'apparecchio.
- ◆ Non capovolgere l'apparecchio se è in funzione o collegato alla presa.
- ◆ Staccare il cavo di alimentazione dalla presa di corrente quando l'apparecchio non è in uso e prima di compiere qualsiasi operazione di pulizia.
- ◆ Questo apparecchio non deve essere utilizzato da persone (inclusi bambini) con problemi fisici, mentali o di sensibilità o con mancanza di esperienza e conoscenza.
- ◆ Non esporre l'apparecchio a temperature estreme. Conservare l'apparecchio in luogo asciutto, lontano dalla polvere e dalla luce del sole. Non lasciare mai l'apparecchio collegato alla rete elettrica e senza controllo. Si risparmierà inoltre energia e si prolungherà la vita dell'apparecchio stesso.
- ◆ Rimuovere e svuotare il serbatoio dell'acqua, prima di spostare l'apparecchio. L'acqua fuoriuscita potrebbe causare danni agli elementi interni dell'apparecchio.
- ◆ Utilizzare i manici e le ruote per trasportare facilmente l'apparecchio ed evitare eventuali lesioni.
- ◆ *(Solo per il modello BXDH20E). Per garantire il corretto funzionamento del sistema di purificazione dell'aria, sostituire il filtro HEPA circa ogni 2000 h di utilizzo. Per comprare nuovi filtri, rivolgersi al servizio di assistenza tecnica.

Servizio

- ◆ Il produttore invalida la garanzia e declina ogni responsabilità in caso di uso inappropriato dell'apparecchio o non conforme alle istruzioni d'uso.
- ◆ Assicurarsi che il servizio sia riparato solo da personale specializzato e vengono utilizzati solo pezzi di ricambio o accessori originali per sostituire le parti / accessori esistente.
- ◆ Qualsiasi uso improprio o disaccordo con le istruzioni per l'uso possono essere pericolose, annullando la garanzia e la responsabilità del Fabricant

DESCRIZIONE

- A Manico di trasporto
- B Pannello di controllo
- C Pannello Frontale

- D Pannello posteriore
- E Coperchio del serbatoio dell'acqua*
- F Manico del serbatoio di acqua*
- G Serbatoio dell'acqua
- H Ruote
- I Telaio del filtro
- J Uscita del drenaggio
- K Colonna per riporre il cavo
- L Filtro HEPA 13*
- M Manichetta di scolo

(*) Disponibile solo nel modello BXDH20E

Nel caso in cui il modello del Suo apparecchio non sia dotato degli accessori anteriormente elencati, può acquistarli separatamente presso i punti di assistenza tecnica autorizzati.

PANNELLO DI CONTROLLO

- 1 Timer
- 2 Asciugatura interna
- 3 Velocità dell'aria
- 4 Serbatoio pieno
- 5 Display LED
- 6 Controllo dell'umidità
- 7 Modalità / Asciugatura capi
- 8 ON/OFF

Installazione

- ◆ Accertarsi di aver tolto tutto il materiale d'imballaggio dall'apparecchio.
- ◆ *(solo per il modello BXDH20E). Rimuovere il telaio del filtro. Estrarre il filtro HEPA dalla busta di plastica e posizionarlo nell'apposito spazio. Riposizionare il telaio del filtro. Verificare che si sia bloccato nella posizione corretta.
- ◆ Per ridurre le vibrazioni, il rumore ed eventuali danni a tappeti e pavimenti in legno, collocare dei feltrini, delle strisce di gomma o similari sotto l'umidificatore.

MODALITÀ D'USO

Prima dell'uso:

- ◆ Assicurarsi di aver rimosso dal prodotto tutto il materiale di imballaggio.
- ◆ Alcune parti dell'apparecchio sono state leggermente lubrificate, pertanto potrebbe uscire del fumo quando si avvia l'apparecchio per la prima volta. Dopo un certo tempo il fumo cessa di uscire.
- ◆ Per eliminare l'odore che emana l'apparecchio quando viene utilizzato per la prima volta, si consiglia di tenerlo in funzionamento alla massima potenza per 2 ore in una stanza ben ventilata.

Uso:

- ◆ Svolgere completamente il cavo prima di inserire la spina.
- ◆ Collegare l'apparecchio alla rete.
- ◆ Avviare l'apparecchio azionando il tasto di accensione/spegnimento (8).
- ◆ Selezionare la funzione desiderata.

MODALITÀ:

- ◆ Premere il pulsante modalità (7) per selezionare la modalità automatica o la modalità asciugatura capi.
- ◆ Nella modalità automatica l'apparecchio funziona fino a raggiungere la percentuale di umidità selezionata. La percentuale per difetto è 50%. Per ulteriori informazioni, vedere la sezione **FUNZIONE REGOLAZIONE DELL'UMIDITÀ**
- ◆ La funzione asciugatura capi consente di ridurre il tempo di asciugatura, giacché riduce l'umidità. Per ulteriori informazioni, vedere la sezione **FUNZIONE ASCIUGATURA CAPI**.
- ◆ La spia luminosa superiore indica la modalità selezionata.

FUNZIONE TIMER:

- ◆ Premere il pulsante del timer (1) per attivare questa funzione.
- ◆ Sul display LED appare l'ora selezionata.
- ◆ Regolare il tempo, premendo il pulsante tutte le volte necessarie (1-24 ore). Ogni volta che si preme, si aggiunge un'ora.
- ◆ Dopo aver raggiunto il tempo desiderato, smettere di premere il pulsante. Trascorsi 5

secondi, il tempo selezionato è confermato.

- ◆ Si accende la spia luminosa superiore.
- ◆ Per cancellare la configurazione del timer, premere due volte dopo aver confermato l'ora.

FUNZIONE ASCIUGATURA INTERNA:

- ◆ Premere il pulsante asciugatura interna (2).
- ◆ Si accende la spia luminosa superiore.
- ◆ Questa funzione asciuga l'interno dell'apparecchio, per evitare la formazione di muffa. La sua durata è di circa 1 ora.
- ◆ Il deumidificatore emette continuamente aria ad alta velocità, per 30 minuti. Poi passa alla bassa velocità per altri 20 minuti.
- ◆ Per disattivare la funzione, premere nuovamente il pulsante.
- ◆ Prima di riporre il deumidificatore, attivare questa funzione per evitare la formazione di muffa al suo interno.

FUNZIONE REGOLAZIONE UMIDITÀ:

- ◆ Questa funzione è disponibile solo nella modalità automatica.
- ◆ Premere il pulsante di regolazione dell'umidità (6).
- ◆ Appare una percentuale di umidità
- ◆ Ogni volta che si preme il pulsante, la percentuale di umidità aumenta un 5%, fino a raggiungere un massimo di 80%, per poi tornare al 30%.
- ◆ Una volta raggiunta la percentuale desiderata, smettere di premere il pulsante. L'apparecchio funzionerà finché l'umidità della stanza non sia un 5% inferiore a quella selezionata. Poi si arresterà il compressore, ma il ventilatore continuerà a funzionare alla velocità selezionata.
- ◆ Sul display LED appare l'ora selezionata.

FUNZIONE ASCIUGATURA CAPI:

- ◆ Premere il pulsante della modalità (7), per selezionare questa funzione. La spia luminosa superiore indica la modalità selezionata.
- ◆ Questa funzione attiva il compressore, indipendentemente dall'umidità della stanza. Ciò consente di asciugare il bucato più velocemente.
- ◆ Per cancellare la funzione, premere nuovamente il pulsante e si passerà alla modalità automatica.

VELOCITÀ DEL VENTILATORE:

- ◆ Premere il pulsante ventilatore (3), per scegliere la velocità (alta o bassa).
- ◆ La spia luminosa superiore indica la velocità selezionata.

BLOCCO PER BAMBINI *(SOLO PER IL MODELLO BXDH20E):

- ◆ Per attivare questa funzione, tenere premuto il pulsante modalità (7) per almeno 3 secondi.
- ◆ I pulsanti del pannello di controllo saranno disabilitati.
- ◆ Per sbloccare il pannello, ripetere l'operazione.

DRENAGGIO (SERBATOIO DELL'ACQUA)

- ◆ Quando il serbatoio è pieno, inizia a lampeggiare l'icona serbatoio pieno (4). L'apparecchio emette un segnale acustico.
- ◆ Il compressore e il ventilatore smettono di funzionare.
- ◆ Estrarre il serbatoio dell'acqua. Posizionare le mani nelle zone concave del serbatoio ed estrarlo delicatamente.
- ◆ Togliere il coperchio del serbatoio dell'acqua* e svuotare.
- ◆ Riposizionare il coperchio e il serbatoio nei rispettivi vani, per poi riattivare il deumidificatore.

DRENAGGIO (drenaggio ininterrotto)

- ◆ L'apparecchio offre la possibilità di collegare la manichetta in dotazione (Ø interno 9 mm) all'uscita del drenaggio (J), per ottenere un drenaggio ininterrotto.
- ◆ Per installare la manichetta, localizzare l'uscita del drenaggio, svitare il coperchio ed estrarre il tappo. Collegare la manichetta all'uscita.
- ◆ L'estremità inferiore della manichetta deve essere per lo meno 10 cm più bassa dell'uscita dell'acqua.
- ◆ L'estremità della manichetta non deve rimanere nell'acqua. Si deve installare in un luogo che consenta il drenaggio ininterrotto dell'acqua.
- ◆ La manichetta deve essere sempre tesa, affinché l'acqua si dreni correttamente.
- ◆ Per maggiori informazioni sul drenaggio ininterrotto, vedere la seguente Fig. 1.

UNA VOLTA CONCLUSO L'UTILIZZO DELL'APPARECCHIO:

- ◆ Spegnerlo premendo l'interruttore accensione/spegnimento.
- ◆ Scollegare l'apparecchio dalla rete.
- ◆ Avvolgere il cavo mediante l'apposita colonna di stoccaggio (K).
- ◆ Pulire l'apparecchio.

MANICI E RUOTE*:

- ◆ Questo apparecchio dispone di una maniglia nella parte superiore per rendere agevole e comodo il trasporto (A).
- ◆ *(Solo per il modello BXDH20E). L'apparecchio è dotato di 4 ruote (H), per semplificare il trasporto ed evitare lesioni.

PULIZIA

- ◆ Scollegare la spina dalla rete elettrica e aspettare che l'apparecchio si raffreddi prima di eseguirne la pulizia.
- ◆ Pulire l'unità elettrica e il connettore di rete con un panno umido e poi asciugarli. **NON IMMERGERLI MAI IN ACQUA O IN QUALUNQUE ALTRO LIQUIDO.**
- ◆ Pulire l'apparecchio con un panno umido impregnato di gocce di detergente.
- ◆ Per la pulizia non impiegare solventi o prodotti a pH acido o basico come la candeggina, né prodotti abrasivi.
- ◆ Non lasciare entrare acqua o altri liquidi nelle fenditure di ventilazione per non danneggiare le parti interne dell'apparecchio.
- ◆ Non immergere l'apparecchio in acqua o altri liquidi, né lavarlo con acqua corrente.
- ◆ La mancata pulizia periodica dell'apparecchio può provocare il deterioramento delle superfici, compromettendone la durata operativa e la sicurezza.
- ◆ Asciugare tutti i componenti prima di montarli e riporli.

Pulizia del filtro dell'aria

- ◆ Pulire i filtri dell'aria ogni 2 settimane. Se il filtro è bloccato
- ◆ dalla polvere, il suo rendimento sarà ridotto.
- ◆ Lavare i filtri dell'aria immergendoli con cautela in acqua calda con un detergente neutro, sciacquarli e lasciarli asciugare completamente in un luogo all'ombra.
- ◆ Dopo la pulizia, installare i filtri con cura.
- ◆ *(Solo per il modello BXDH20E). Per garantire il corretto funzionamento del sistema di purificazione dell'aria, sostituire il filtro HEPA circa ogni 2000 h di utilizzo. Per comprare nuovi filtri, rivolgersi al servizio di assistenza tecnica.

ANOMALIE E RIPARAZIONI

- ◆ Se si rilevassero anomalie, consultare la seguente tabella:

Anomalie	Causa	Soluzione
L'apparecchio non funziona.	La spina si scollega?	Inserire la spina nella presa di corrente.
	Il serbatoio dell'acqua è pieno o mal posizionato?	Svuotare l'acqua del serbatoio e posizionarlo nuovamente.
	La temperatura ambiente è inferiore a 5 °C o superiore a 32 °C.	È un fenomeno normale. L'apparecchio non funziona per ragioni di sicurezza.
La deumidificazione non è efficiente.	La temperatura ambiente o l'umidità è troppo bassa?	In un ambiente secco, la capacità di deumidificazione si riduce.
	Sono bloccate l'uscita e l'entrata dell'aria?	Rimuovere gli oggetti che bloccano l'uscita e l'entrata dell'aria.
Non si espelle l'aria.	Il filtro dell'aria è intasato?	Pulire il filtro, seguendo le istruzioni date in precedenza.
Rumore inusuale durante il funzionamento.	Il deumidificatore è inclinato o posizionato in modo non stabile?	Posizionare il deumidificatore in un luogo livellato.
	Il filtro dell'aria è intasato?	Pulire il filtro, seguendo le istruzioni date in precedenza.
	Si sente un rumore simile a una "leggera risata".	Si tratta del flusso del refrigerante, è normale.
Perdite d'acqua.	Il collegamento del drenaggio si è allentato.	Fissare la manichetta di drenaggio.
	Il sistema di drenaggio è bloccato.	Eliminare gli ostacoli e raddrizzare la manichetta.
Appare brina.	La temperatura è troppo bassa e sta aspettando la modalità sbrinamento.	È un fenomeno normale e il deumidificatore è dotato di una funzione di scongelamento automatico.
Se non trova la soluzione al suo problema in questa tabella, si rivolga al servizio di assistenza tecnica.		



Per i prodotti dell'Unione Europea e/o nel caso in cui sia previsto dalla legislazione del Suo paese di origine:

Prodotto ecologico e riciclabile

- ◆ I materiali che costituiscono l'imballaggio di questo apparecchio sono compresi in un sistema di raccolta, classificazione e riciclaggio degli stessi. Per lo smaltimento, utilizzare gli appositi contenitori pubblici, adatti per ogni tipo di materiale.
- ◆ Il prodotto non contiene concentrazioni di sostanze considerate dannose per l'ambiente.



Questo simbolo indica che, per smaltire il prodotto al termine della sua durata utile, occorre depositarlo presso un ente di smaltimento autorizzato alla raccolta differenziata di rifiuti di apparecchiature elettriche ed elettroniche (RAEE).

GARANZIA E ASSISTENZA TECNICA

- ◆ Questo prodotto possiede il riconoscimento e la protezione della garanzia legale di conformità con la legislazione vigente. Per far valere i suoi diritti o interessi, dovrà rivolgersi a uno qualsiasi dei nostri servizi ufficiali di assistenza tecnica. Può trovare il più vicino cliccando sul seguente link: <http://www.2helpu.com/>. Inoltre, può richiedere informazioni mettendosi in contatto con noi (consultare l'ultima pagina del manuale). Può scaricare questo manuale di istruzioni e i suoi aggiornamenti da <http://www.2helpu.com/>

ISTRUZIONI PER LA RIPARAZIONE DI ELETTRIDOMESTICI CHE CONTENGONO R290

ISTRUZIONI GENERALI

Controllare l'area

- ◆ Prima di iniziare a lavorare su sistemi che contengono refrigeranti infiammabili sono necessari dei controlli di sicurezza, per garantire la minimizzazione del rischio di ignizione. Per preparare il sistema di raffreddamento si devono prendere le seguenti precauzioni, prima di eseguire dei lavori sul sistema.

Procedura operativa

- ◆ Il lavoro sarà eseguito secondo un procedimento controllato per minimizzare il rischio di presenza di gas o di vapore infiammabile durante il lavoro stesso.

Area generale di lavoro

- ◆ Tutto il personale di manutenzione e le altre persone che lavorino nell'area locale, riceveranno istruzioni riguardanti la natura del lavoro in esecuzione. Evitare di lavorare in spazi ristretti. L'area attorno allo spazio di lavoro dovrà essere delimitata. Assicurarsi che le condizioni all'interno dell'area siano state rese sicure mediante un controllo del materiale infiammabile.

Verificare la presenza di refrigerante

- ◆ Si deve verificare l'area con un rilevatore di refrigerante prima e durante il lavoro, per assicurarsi che il tecnico sappia localizzare le atmosfere potenzialmente infiammabili. Assicurarsi che il dispositivo di protezione contro le fughe utilizzato sia adeguato al rilevamento di refrigeranti infiammabili, vale a dire, anticorrosione, una sigillatura adeguata o intrinsecamente sicura.

Presenza di estintori

- ◆ Se si dovesse eseguire un lavoro a caldo nel dispositivo di raffreddamento o in qualsiasi parte associata, si deve avere a portata di mano un dispositivo adeguato per l'estinzione di fuochi. Situare un estintore a polvere secca o CO2 nella zona adiacente all'area di caricamento.

Assenza di fonti di ignizione

- ◆ Nessuna persona che esegua un lavoro relativo a un sistema di raffreddamento, che implichi scoprire un sistema di tubazioni che contenga o abbia contenuto refrigerante infiammabile, dovrà utilizzare una qualsiasi fonte di ignizione in modo da poter provocare un incendio o un'esplosione. Tutte le possibili fonti di ignizione, compreso il consumo di tabacco, devono essere tenute sufficientemente lontane dal luogo in cui si esegua l'installazione, la riparazione, l'estrazione e lo smaltimento, operazioni durante le quali è possibile che venga liberato refrigerante infiammabile nello spazio circostante. Prima di eseguire il lavoro si deve ispezionare l'area circostante il dispositivo, per assicurarsi che non siano presenti sostanze infiammabili né rischi di ignizione. Esporre i cartelli di "Vietato Fumare".

Area ventilata

- ◆ Assicurarsi che l'area sia aperta o che sia convenientemente ventilata, prima di entrare nel sistema o di realizzare qualsiasi lavoro a caldo. Conservare un certo livello di ventilazione per tutto il tempo necessario a eseguire il lavoro. La ventilazione deve disperdere in sicurezza qualsiasi refrigerante emesso e, possibilmente, espellerlo nell'atmosfera esterna.

Verificare il dispositivo di raffreddamento

- ◆ Quando si debbano cambiare i componenti elettrici, quelli sostitutivi dovranno essere adatti all'uso specifico. Si devono sempre seguire le indicazioni del fabbricante per la manutenzione e il servizio. In caso di dubbio, consultare il dipartimento tecnico del fabbricante per ottenere assistenza. Negli impianti che utilizzino refrigeranti infiammabili, si dovranno eseguire le seguenti verifiche: che le dimensioni della ricarica siano adeguate alle dimensioni della stanza in cui si debbano installare i componenti che contengono refrigerante; che il dispositivo di ventilazione e le uscite funzionino correttamente e non siano ostruite; se si utilizza un circuito di raffreddamento indiretto, si deve verificare la presenza di refrigerante nel circuito secondario; che la marcatura del dispositivo sia sempre visibile e leggibile. Marchi e segnali illeggibili devono essere corretti. Le tubazioni o i componenti di raffreddamento devono essere installati in una posizione poco soggetta a rimanere esposta a qualsiasi sostanza che possa corrodere il componente che contiene refrigeranti, a meno che i componenti siano costruiti con materiali intrinsecamente resistenti alla corrosione o che siano convenientemente protetti contro la corrosione stessa.

Verificare i dispositivi elettrici

- ◆ La riparazione e la manutenzione dei componenti elettrici devono comprendere controlli di sicurezza iniziali e procedure di ispezione dei componenti stessi. Se fosse presente un guasto che possa compromettere la sicurezza, non si dovrà collegare alcuna alimentazione elettrica al circuito finché il guasto non sia stato convenientemente risolto. Se non fosse possibile risolvere immediatamente il guasto, ma fosse necessario continuare l'operazione, si dovrà cercare una soluzione temporanea adeguata. Si dovrà comunicare il problema al proprietario del dispositivo, affinché sia notificato a tutte le parti.
- ◆ Le verifiche iniziali di sicurezza devono comprendere: che i condensatori siano scarichi, verifica da realizzare in sicurezza, per evitare che si formino scintille; che cavi e dispositivi elettrici attivi non siano esposti durante il caricamento, il recupero o lo spurgo del sistema; che la presa a terra sia sempre attiva.

RIPARAZIONE DEI COMPONENTI SIGILLATI

- ◆ Durante le riparazioni dei componenti sigillati, tutte le alimentazioni elettriche devono essere scollegate dal dispositivo sul quale si sta lavorando, prima di togliere i coperchi sigillati, ecc. Se fosse assolutamente necessario alimentare elettricamente il dispositivo durante il servizio, si deve posizionare il Rilevatore di fughe, in modalità di funzionamento costante, nel punto più critico, affinché possa avvisare se si verificasse una situazione potenzialmente pericolosa.
- ◆ Si dovrà prestare particolare attenzione a quanto segue, per garantire che, lavorando con componenti elettrici, non si modifichi il corpo in modo da influire sul sistema di protezione. Ciò comprende danni ai cavi, un numero eccessivo di collegamenti, morsetti non realizzati secondo le specifiche originali, danni ai giunti, regolazione erronea dei premistoppa, ecc. Assicurarsi che l'apparecchio sia montato in modo sicuro. Assicurarsi che i giunti o i materiali di sigillatura non siano usurati, in modo da non poter evitare l'entrata di atmosfere infiammabili. I pezzi di ricambio devono rispettare le specifiche del fabbricante.
- ◆ NOTA: L'utilizzo di un sigillante al silicio può ridurre l'efficacia di alcuni tipi di dispositivi di rilevamento di fughe.
- ◆ I componenti intrinsecamente sicuri non devono essere isolati prima di lavorare su di loro.

RIPARAZIONE DI COMPONENTI INTRINSECAMENTE SICURI

- ◆ Non applicare carichi induttivi o a capacitanza permanente al circuito senza prima assicurarsi che non eccedano la tensione e la corrente consentite per il dispositivo.
- ◆ I componenti intrinsecamente sicuri sono gli unici tipi sui quali si può lavorare in presenza di un'atmosfera infiammabile. L'apparecchio di prova deve avere la qualifica corretta. Sostituire i componenti solamente con parti indicate dal fabbricante. Altre parti potrebbero provocare l'ignizione del refrigerante nell'atmosfera, a causa di una fuga.

CABLAGGIO

- ◆ Verificare che il cablaggio non sia esposto a usura, corrosione, eccessiva pressione, bordi affilati o qualsiasi altro effetto ambientale avverso. La verifica dovrà tenere conto anche degli effetti dell'invecchiamento o delle vibrazioni continue, provenienti da fonti come compressori o ventilatori.

RILEVAMENTO DI REFRIGERANTI INFIAMMABILI.

- ◆ In nessun caso si dovranno utilizzare potenziali fonti di ignizione per la ricerca o il rilevamento di fughe di refrigerante. Non si devono usare torce ad alogenuri (o qualsiasi altro rilevatore che utilizzi fiamme vive).

METODI DI RILEVAMENTO DI FUGHE

- ◆ I seguenti metodi di rilevamento di fughe sono considerati accettabili per i sistemi che contengono refrigeranti infiammabili. Per rilevare refrigeranti infiammabili si devono usare rilevatori elettronici di fughe, ma la sensibilità potrebbe non essere adeguata o potrebbe essere necessaria una ricalibratura. (Il dispositivo di rilevamento deve essere calibrato in un'area senza refrigerante).
- ◆ Assicurarsi che il rilevatore non sia una potenziale fonte di ignizione e che sia indicato per il refrigerante utilizzato. Il dispositivo di rilevamento di fughe si dovrà attenere a una certa percentuale di LFL del refrigerante, si dovrà calibrare con il refrigerante utilizzato e si dovrà confermare la percentuale adeguata di gas (massimo 25%). I fluidi di rilevamento di fughe sono indicati per la maggior parte dei refrigeranti, ma si deve evitare l'uso di detersivi che contengano cloro, visto che il cloro potrebbe reagire con il refrigerante e corrodere le tubazioni di rame. Se si avesse il sospetto di una fuga, tutte le fiamme vive devono essere eliminate / spente. Se si trova una fuga di refrigerante che richiede una brasatura, tutto il refrigerante deve essere evacuato dal sistema o isolato (mediante valvole di chiusura) in una parte del sistema lontana dalla fuga. L'azoto senza ossigeno (OFN) deve essere spurgato mediante il sistema prima e durante il procedimento di brasatura.

ESTRAZIONE E SMALTIMENTO

- ◆ Quando si rompa il circuito del refrigerante, per effettuare riparazioni o per qualsiasi

altro motivo, si devono impiegare procedimenti convenzionali. È importante, tuttavia, seguire le migliori procedure, tenuto conto dell'infiammabilità. Si deve rispettare il seguente procedimento: eliminare il refrigerante; spurgare il circuito con del gas inerte; evacuare nuovamente con del gas inerte; aprire il circuito, tagliandolo o saldandolo. La ricarica di refrigerante sarà recuperata nei corretti cilindri di recupero. Il sistema si "spurgherà" con OFN per rendere sicura l'unità. Si potrebbe dover ripetere questo procedimento varie volte. Non utilizzare aria compressa o ossigeno per questa operazione. Si deve ottenere il risciacquo rompendo il vuoto nel sistema con OFN e continuare a riempire fino ad ottenere la pressione di lavoro, poi si espellerà nell'atmosfera e, infine, si ridurrà il vuoto. Si dovrà ripetere questo procedimento fino ad eliminare completamente il refrigerante dal sistema. Quando si utilizza la ricarica finale di OFN, il sistema deve essere scaricato rispettando la pressione atmosferica, per consentire l'esecuzione del lavoro. Questa operazione è assolutamente vitale se si devono effettuare lavori di brasatura sulle tubazioni. Assicurarsi che l'uscita della pompa a vuoto non si trovi vicino a nessuna fonte di ignizione e che sia presente una buona ventilazione.

PROCEDIMENTI DI RICARICA

- ◆ Oltre ai procedimenti di ricarica convenzionali, si devono rispettare i seguenti requisiti.
- ◆ Assicurarsi che non si verifichi una contaminazione di vari refrigeranti quando si utilizza il dispositivo di ricarica. Le tubazioni o le linee devono essere il più corte possibile, per minimizzare la quantità di refrigerante che contengono.
- ◆ I cilindri devono rimanere in posizione verticale.
- ◆ Assicurarsi che il sistema di raffreddamento sia collegato a terra, prima di caricare il sistema con il refrigerante.
- ◆ Etichettare il sistema, quando la ricarica sia completa (se non è così).
- ◆ Bisogna essere estremamente cauti, per non riempire eccessivamente il sistema di raffreddamento.
- ◆ Prima di ricaricare il sistema, praticare la prova di pressione con OFN. Al termine della ricarica, ma prima dell'avvio, il sistema dovrà essere verificato contro le fughe. Si deve effettuare una prova di fuga di controllo prima di lasciare il luogo.

SMANTELLAMENTO

- ◆ Prima di effettuare questo procedimento, è fondamentale che il tecnico conosca perfettamente il dispositivo e tutti i suoi particolari. Si raccomanda come buona prassi che tutti i refrigeranti siano recuperati in sicurezza. Prima di realizzare l'operazione, si estrarrà un campione di olio e di refrigerante, nel caso fosse necessaria un'analisi prima del riutilizzo del refrigerante rigenerato. È fondamentale che l'energia elettrica sia disponibile prima di iniziare l'operazione.
- ◆ a) Prendere dimistichezza con il dispositivo e il suo funzionamento.
- ◆ b) Isolare elettricamente il sistema.
- ◆ c) Prima di iniziare il procedimento, assicurarsi che: il dispositivo di manipolazione meccanico sia disponibile, se necessario, per la manipolazione del refrigerante; tutto il dispositivo di protezione personale sia disponibile e usato correttamente; il processo di recupero sia sempre supervisionato da una persona competente; i dispositivi e i cilindri di recupero rispettino le normative adeguate.
- ◆ d) Se possibile, pompare il sistema di refrigerante.
- ◆ e) Se non fosse possibile pomparlo a vuoto, disporre un collettore, affinché il refrigerante possa essere estratto dalle varie parti del sistema.
- ◆ f) Assicurarsi che il cilindro sia posizionato sulla bilancia, prima di effettuare il recupero.
- ◆ g) Avviare la macchina di recupero e agire secondo le istruzioni del fabbricante.
- ◆ h) Non riempire troppo i cilindri. (Non oltre il 80% di ricarica liquida in volume).
- ◆ i) Non superare la pressione massima di lavoro del cilindro, anche se solo temporaneamente.
- ◆ j) Quando i cilindri si siano riempiti correttamente e il sia terminato il processo, assicurarsi che i cilindri e il dispositivo siano ritirati immediatamente dal luogo e
- ◆ che tutte le valvole di isolamento del dispositivo siano chiuse.
- ◆ k) Il refrigerante recuperato non deve essere caricato in un altro sistema di raffreddamento, se non dopo essere stato pulito e verificato.

ETICHETTATURA

- ◆ Il dispositivo deve essere etichettato con l'indicazione di essere stato disattivato e svuotato dal refrigerante. L'etichetta dovrà riportare data e firma.
- ◆ Assicurarsi che il dispositivo disponga di etichette indicanti che il dispositivo stesso contiene refrigerante infiammabile.

RECUPERO

- ◆ Quando si evacua il refrigerante di un sistema, per eseguire la manutenzione o per la disattivazione, si raccomanda una buona prassi per l'eliminazione sicura dei refrigeranti. Quando si trasferisca il refrigerante ai cilindri, assicurarsi di utilizzare solamente cilindri adatti al recupero di refrigeranti. Assicurarsi di avere a disposizione la quantità corretta di cilindri, che possa contenere il carico completo del sistema. Tutti i cilindri che saranno utilizzati sono progettati per il refrigerante recuperato

- ◆ e sono etichettati per questo tipo di refrigerante (ossia, cilindri speciali per il recupero di refrigerante). I cilindri devono possedere una valvola di sfogo della pressione e delle valvole di chiusura in buono stato di funzionamento. I cilindri di recupero vuoti saranno smaltiti e, se possibile, raffreddati prima di effettuare il recupero.
- ◆ Il dispositivo di recupero deve essere in buono stato di funzionamento, possedere una serie di istruzioni inerenti il dispositivo, da tenere a portata di mano, e deve essere adatto al recupero di refrigeranti infiammabili. Inoltre deve essere presente un sistema di bilance calibrate, in buono stato di funzionamento. Le tuberie devono possedere un accoppiamento a disinserzione senza fughe e in buone condizioni. Prima di usare la macchina di recupero, verificare che sia in buone condizioni di funzionamento, che le sia stata praticata la dovuta manutenzione e che tutti i componenti elettrici associati siano sigillati, per evitare l'accensione se ci dovesse essere una fuga di refrigerante. In caso di dubbio, rivolgersi al fabbricante.
- ◆ Il refrigerante recuperato dovrà essere restituito al fornitore nel cilindro di recupero corretto e si apporrà la corrispondente Nota di trasferimento dei residui. Non miscelare refrigeranti nelle unità di recupero e, soprattutto, nei cilindri.
- ◆ Se i compressori o gli oli del compressore dovessero essere rimossi, assicurarsi che siano stati evacuati a un livello accettabile, per garantire che il refrigerante infiammabile non rimanga nel lubrificante. Il procedimento di evacuazione si effettuerà prima di restituire il compressore ai fornitori. Per accelerare questo processo, utilizzare solamente il riscaldamento elettrico nel corpo del compressore. L'operazione di estrazione dell'olio da un sistema deve essere effettuata in sicurezza.

Competenza del personale di servizio

Generale

- ◆ Si richiede una competenza maggiore, rispetto agli abituali procedimenti di riparazione dei dispositivi di raffreddamento, quando si tratta di un dispositivo con refrigeranti infiammabili.
- ◆ In molti Paesi questa competenza è data da organizzazioni nazionali di perfezionamento professionale, accreditate per insegnare le più importanti norme di perfezionamento nazionali, stabilite per legge.
- ◆ La competenza raggiunta deve essere documentata da un certificato.

Formazione

- ◆ La competenza deve comprendere quanto segue:
- ◆ Informazioni sul potenziale esplosivo dei refrigeranti infiammabili, per dimostrare che i prodotti infiammabili possono essere pericolosi, se manipolati senza precauzioni.
- ◆ Informazioni su possibili fonti di ignizione, in particolare quelle ovvie, come accendini, interruttori elettrici, aspirapolvere, apparecchi elettrici di riscaldamento.

Informazioni sui vari concetti di sicurezza:

- ◆ Senza ventilazione (Vedere Clausola GG.2). La sicurezza dell'apparecchio non dipende dalla ventilazione del corpo. Lo scollegamento dell'apparecchio o l'apertura del corpo non hanno nessun effetto significativo rispetto alla sicurezza. È tuttavia possibile che si accumuli refrigerante con fughe nell'involucro e sarà rilasciata un'atmosfera infiammabile quando si apra l'involucro stesso.
- ◆ Ambiente ventilato (Vedere Clausola GG.4) La sicurezza del dispositivo dipende dalla ventilazione del corpo. Lo scollegamento dell'apparecchio o l'apertura dell'armadio hanno un impatto significativo sulla sicurezza. Si deve far attenzione di assicurare prima una ventilazione sufficiente.
- ◆ Sala ventilata (Vedere Clausola GG.5) La sicurezza dell'apparecchio dipende dalla ventilazione della stanza. Lo scollegamento dell'apparecchio o l'apertura del corpo non hanno nessun effetto significativo rispetto alla sicurezza. La ventilazione della stanza non sarà scollegata durante i processi di riparazione.
- ◆ Informazioni riguardo il concetto di componenti sigillati e involucri sigillati ai sensi del IEC 60079-15: 2010.
- ◆ Informazioni sui corretti procedimenti di lavoro:

Messa in servizio

- ◆ Assicurarsi che l'area del pavimento sia sufficiente per la ricarica del refrigerante o che il condotto di ventilazione sia montato correttamente.
- ◆ Collegare le tubazioni ed eseguire una prova di fughe, prima di ricaricare il refrigerante.
- ◆ Verificare il dispositivo di sicurezza prima di metterlo in funzione.

Manutenzione

- ◆ Il dispositivo portatile deve essere riparato all'esterno o in un'officina appositamente equipaggiata per la riparazione di unità con refrigeranti infiammabili.
- ◆ Assicurare una ventilazione sufficiente nel locale della riparazione.
- ◆ Considerare che il mal funzionamento del dispositivo potrebbe essere causato dalla perdita di refrigerante e che possibilmente sia presente una fuga di refrigerante.
- ◆ Scaricare i condensatori in modo che non producano scintille. Il procedimento standard

- per cortocircuitare i morsetti del condensatore, in genere, produce scintille.
- ◆ Rimontare con precisione gli armadi sigillati. Se i sigilli sono usurati, sostituirli.
- ◆ Verificare il dispositivo di sicurezza prima di metterlo in funzione.

Riparazioni

- ◆ Il dispositivo portatile deve essere riparato all'esterno o in un'officina appositamente equipaggiata per la riparazione di unità con refrigeranti infiammabili.
- ◆ Assicurare una ventilazione sufficiente nel locale della riparazione.
- ◆ Considerare che il mal funzionamento del dispositivo potrebbe essere causato dalla perdita di refrigerante e che possibilmente sia presente una fuga di refrigerante.
- ◆ Scaricare i condensatori in modo che non producano scintille.

Quando sia richiesta una brasatura, si effettueranno i seguenti procedimenti, nell'ordine corretto:

- ◆ Togliere il refrigerante. Se i regolamenti nazionali non richiedono il recupero, drenare il refrigerante verso l'esterno. Fare attenzione che il refrigerante drenato non provochi pericoli. Nel dubbio, una persona deve controllare l'uscita. Prestare particolare attenzione che il refrigerante drenato non rimanga nuovamente in sospensione dentro l'edificio.
- ◆ Evacuare il circuito del refrigerante.
- ◆ Spurgare il circuito del refrigerante con azoto per 5 minuti.
- ◆ Evacuare nuovamente.
- ◆ Togliere i pezzi da sostituire tagliandoli, non con fiamma.
- ◆ Spurgare il punto di saldatura con azoto durante il procedimento di brasatura.
- ◆ Effettuare una prova di fughe prima di caricare il refrigerante.
- ◆ Rimontare con precisione gli armadi sigillati. Se i sigilli sono usurati, sostituirli.
- ◆ Verificare il dispositivo di sicurezza prima di metterlo in funzione.

Smantellamento

- ◆ Se al momento di arrestare il dispositivo la sicurezza viene compromessa, la ricarica del refrigerante dovrà essere eliminata prima della chiusura.
- ◆ Assicurare una ventilazione sufficiente nella posizione del dispositivo.
- ◆ Considerare che il mal funzionamento del dispositivo potrebbe essere causato dalla perdita di refrigerante e che possibilmente sia presente una fuga di refrigerante.
- ◆ Scaricare i condensatori in modo che non producano scintille.
- ◆ Togliere il refrigerante. Se i regolamenti nazionali non richiedono il recupero, drenare il refrigerante verso l'esterno. Fare attenzione che il refrigerante drenato non provochi pericoli. Nel dubbio, una persona deve controllare l'uscita. Prestare particolare attenzione che il refrigerante drenato non rimanga nuovamente in sospensione dentro l'edificio.
- ◆ Evacuare il circuito del refrigerante.
- ◆ Spurgare il circuito del refrigerante con azoto per 5 minuti.
- ◆ Evacuare nuovamente.
- ◆ Riempire di azoto fino alla pressione atmosferica.
- ◆ Apporre una etichetta sul dispositivo, per indicare che è stato tolto il refrigerante
- ◆ Smaltimento
- ◆ Assicurare una ventilazione sufficiente nel luogo di lavoro.
- ◆ Togliere il refrigerante. Se i regolamenti nazionali non richiedono il recupero, drenare il refrigerante verso l'esterno. Fare attenzione che il refrigerante drenato non provochi pericoli. Nel dubbio, una persona deve controllare l'uscita. Prestare particolare attenzione che il refrigerante drenato non rimanga nuovamente in sospensione dentro l'edificio.
- ◆ Evacuare il circuito del refrigerante.
- ◆ Spurgare il circuito del refrigerante con azoto per 5 minuti.
- ◆ Evacuare nuovamente.
- ◆ Tagliare il compressore e drenare l'olio.
- ◆ Trasporto, marcatura e stoccaggio di unità che utilizza no refrigeranti infiammabili
- ◆ Trasporto di dispositivi che contengono refrigeranti infiammabili
- ◆ Si fa notare che potrebbero esservi ulteriori regolamenti per il trasporto, rispetto ai dispositivi che contengono gas infiammabili. La quantità massima di dispositivi o la configurazione del dispositivo che si permette di trasportare assieme sarà stabilita dalle norme sul trasporto applicabili.

Marcatura di dispositivi con segnali

- ◆ Gli avvisi degli elettrodomestici simili, usati in un'area di lavoro, sono generalmente stabiliti dai regolamenti locali e indicano i requisiti minimi per l'apposizione di segnali di sicurezza e / o di salute per un luogo di lavoro.
- ◆ Si devono conservare tutti i cartelli richiesti e i datori di lavoro devono assicurarsi che gli impiegati ricevano istruzioni e abbiano una competenza adeguata e

- ◆ sufficiente rispetto al significato dei segnali di sicurezza e alle misure che si devono prendere rispetto a questi segnali.
- ◆ L'efficacia dei segnali non deve essere diminuita da troppi segnali esposti assieme.
- ◆ Qualsiasi pittogramma utilizzato deve essere il più semplice possibile e deve contenere solamente dettagli essenziali.

Smaltimento di dispositivi che utilizzano refrigeranti infiammabili

- ◆ Vedere regolamenti nazionali.
- ◆ Stoccaggio di dispositivi / elettrodomestici
- ◆ Lo stoccaggio del dispositivo deve essere effettuato nel rispetto delle istruzioni del fabbricante.
- ◆ Stoccaggio di dispositivi imballati (non venduti)
- ◆ La protezione del pacchetto di stoccaggio deve essere costruita in modo l'eventuale danno meccanico del dispositivo all'interno del pacco non provochi una fuga del carico di refrigerante.
- ◆ La quantità massima consentita di dispositivi per lo stoccaggio congiunto sarà stabilita dalle normative locali.

Questo apparecchio rispetta la Direttiva 2014/35/EU di Bassa Tensione, la Direttiva 2014/30/EU di Compatibilità Elettromagnetica, la Direttiva 2011/65/EU sui limiti d'impiego di determinate sostanze pericolose negli apparecchi elettrici ed elettronici e la Direttiva 2009/125/EC riguardante l'Ecodesign dei prodotti che consumano energia.

DESHUMIDIFICADOR BXDH12E BXDH20E

Distinguido cliente:

Le agradecemos que se haya decidido por la compra de un producto de la marca BLACK+DECKER.

Su tecnología, diseño y funcionalidad, junto con el hecho de superar las más estrictas normas de calidad le comportarán total satisfacción durante mucho tiempo.



No instale ni use su aire acondicionado móvil antes de leer atentamente este manual. Guarde este manual de instrucciones para una eventual garantía del producto y para referencia futura.

ADVERTENCIA

- ◆ No use medios para acelerar el proceso de descongelación o para limpiar, que no sean los recomendados por el fabricante.
- ◆ El artefacto debe almacenarse en una habitación sin fuentes de
- ◆ ignición en funcionamiento continuo (por ejemplo: llamas abiertas, un artefacto de gas que funcione o un calentador eléctrico que funcione).
- ◆ No perforar ni quemar.
- ◆ Tenga en cuenta que los refrigerantes pueden no contener olor.
- ◆ El dispositivo debe ser instalado, operado y almacenado en una sala con un área de piso mayor a 4 m².

ADVERTENCIA

- ◆ Información específica sobre aparatos con gas refrigerante R290.
- ◆ Lea detenidamente todas las advertencias.
- ◆ Cuando descongele y limpie la aplicación, no use otras herramientas que no sean las recomendadas por la empresa fabricante.
- ◆ El aparato debe colocarse en un área sin fuentes de ignición continuas (por ejemplo: llamas abiertas, gas o aparatos eléctricos en funcionamiento).
- ◆ No perforar y no quemar.
- ◆ Este aparato contiene 52 gramos del gas refrigerante R290.
- ◆ R290 es un gas refrigerante que cumple con las directivas europeas sobre el medio ambiente. No perforo ninguna parte del circuito de refrigerante.
- ◆ Si el aparato está instalado, operado o almacenado en un área no ventilada, la habitación debe estar diseñada para evitar la acumulación de fugas de refrigerante, lo que genera un riesgo de incendio o explosión debido

a la ignición del refrigerante causada por calentadores eléctricos, estufas o otras fuentes de ignición.

- ◆ El aparato debe almacenarse de manera que se evite la falla mecánica.
- ◆ Las personas que operan o trabajan en el circuito de refrigerante deben contar con la certificación correspondiente emitida por una organización acreditada que garantice la competencia en el manejo de refrigerantes de acuerdo con una evaluación específica reconocida por las asociaciones de la industria.
- ◆ Las reparaciones deben realizarse en base a la recomendación de la empresa fabricante. El mantenimiento y las reparaciones que requieren la asistencia de otro personal calificado deben realizarse bajo la supervisión de un individuo especificado en el uso de refrigerantes inflamables.

CONSEJOS Y ADVERTENCIAS DE SEGURIDAD

- ◆ Este aparato pueden utilizarlo niños con edad de 8 años y superior y personas con capacidades físicas, sensoriales o mentales reducidas o falta de experiencia y conocimiento, si se les ha dado la supervisión o formación apropiadas respecto al uso del aparato de una manera segura y comprenden los peligros que implica.
- ◆ Este aparato no es un juguete. Los niños deberían ser supervisados para asegurar que no juegan con el aparato.
- ◆ No permitir que los niños realicen la limpieza y el mantenimiento sin supervisión.
- ◆ Instalar el aparato conforme a las normativas nacionales de cableado.
- ◆ Deje un espacio de 50 cm entre las paredes u otros obstáculos y el aparato. No cubrir ni obstruir los laterales del aparato, y dejar un espacio mínimo de 50 cm alrededor del aparato.
- ◆ El producto requiere ventilación adecuada para funcionar correctamente.
- ◆ Si la conexión red está dañada, debe ser substituida. Llevar el aparato a un Servicio de Asistencia Técnica autorizado. No intentar desmontarlo o repararlo usted mismo ya que puede resultar peligroso.
- ◆ Este aparato está pensado únicamente para uso doméstico, no para uso profesional o industrial.
- ◆ Antes de conectar el aparato verificar que el voltaje indicado en la placa de características coincide con el de la red.
- ◆ Conectar el aparato a una base de toma de corriente que soporte como mínimo 10 amperios.
- ◆ La clavija del aparato debe coincidir con la base eléctrica de la toma de corriente. Nunca modificar la clavija. No usar adaptadores de clavija.

- ◆ No forzar el cable eléctrico de conexión. Nunca usar el cable eléctrico para levantar, transportar o desenchufar el aparato.
- ◆ No enrollar el cable eléctrico de conexión alrededor del aparato.
- ◆ Verificar que el cable eléctrico no está pinzado ni doblado.
- ◆ No dejar que el cable eléctrico de conexión quede colgando o quede en contacto con las superficies calientes del aparato.
- ◆ Verificar el estado del cable eléctrico de conexión. Los cables dañados o enredados aumentan el riesgo de choque eléctrico.
- ◆ Es recomendable como protección adicional en la instalación eléctrica que alimenta el aparato, el disponer de un dispositivo de corriente diferencial con una sensibilidad máxima de 30 mA. Consultar con un instalador.
- ◆ No tocar la clavija de conexión con las manos mojadas.
- ◆ No utilizar el aparato con el cable eléctrico o la clavija dañada.
- ◆ Si alguna de las envolturas del aparato se rompe, desconectar inmediatamente el aparato de la red para evitar la posibilidad de sufrir una descarga eléctrica.
- ◆ No utilizar el aparato si ha caído, si hay señales visibles de daños, o si existe fuga.
- ◆ Usar el aparato en una zona bien ventilada.
- ◆ En caso de utilizar en la misma habitación el aparato con otros aparatos de gas o combustible ésta deberá estar bien ventilada.
- ◆ No colocar el aparato donde pueda alcanzarle la luz directa del sol.
- ◆ Situar el aparato sobre una superficie horizontal, plana, estable y alejada de fuentes de calor y de posibles salpicaduras de agua.
- ◆ No utilizar ni guardar el aparato a la intemperie.
- ◆ No exponer el aparato a la lluvia o condiciones de humedad. El agua que entre en el aparato aumentará el riesgo de choque eléctrico.
- ◆ **ADVERTENCIA:** No utilizar el aparato cerca del agua.
- ◆ No forzar el cable eléctrico de conexión. Nunca usar el cable eléctrico para levantar, transportar o desenchufar el aparato. Mantener el aparato lejos de fuentes de calor y cantos vivos.

Utilización y cuidados:

- ◆ Después de cada uso, desenchufar el cable de alimentación de la fuente de alimentación.
- ◆ No usar el aparato si su dispositivo de puesta en marcha/paro no funciona. No retirar las patas del aparato. No mover el aparato mientras está en uso.
- ◆ Hacer uso de las asas para coger o transportar el aparato.
- ◆ No dar la vuelta al aparato mientras está en uso o conectado a la red.
- ◆ Desenchufar la fuente de alimentación de la red cuando no se use y antes de realizar cualquier operación de limpieza.
- ◆ Guardar este aparato fuera del alcance de los niños y/o personas con capacidades físicas, sensoriales o mentales reducidas o no familiarizados con su uso.
- ◆ No exponer el aparato a temperaturas extremas. Mantener el aparato en un lugar seco, sin polvo y protegido de la luz directa del sol. No dejar nunca el aparato conectado y sin vigilancia. Además ahorrará energía y prolongará la vida del aparato.
- ◆ Toda utilización inadecuada, o en desacuerdo con las instrucciones de uso, puede comportar peligro, anulando la garantía y la responsabilidad del fabricante.
- ◆ Retire y vacíe el depósito de agua antes de mover el aparato. El agua derramada podría provocar daños a las piezas del interior del aparato.
- ◆ Sirvase de las asas y ruedas del aparato para transportarlo con facilidad y evitar posibles lesiones.
- ◆ *(Solo para el modelo BXDH20E). Para garantizar el correcto funcionamiento del sistema de purificación de aire, reemplace el filtro HEPA cada 2000 h de uso, aproximadamente. Para comprar nuevos filtros, dirijase al servicio de asistencia técnica.

SERVICIO

- ◆ Asegúrese de que el servicio sea reparado únicamente por personal especializado y que solo se usen piezas de repuesto o accesorios originales para reemplazar las piezas / accesorios existentes.
- ◆ Cualquier uso indebido, o en desacuerdo con las instrucciones de uso, puede ser peligroso, anulando la garantía y responsabilidad del fabricante.

DESCRIPCIÓN

- A Asa de transporte
- B Panel de control
- C Panel frontal
- D Panel trasero
- E Tapa del depósito de agua*
- F Asa del depósito de agua*
- G Depósito de agua
- H Ruedas

- I Marco del filtro
 - J Salida de drenaje
 - K Columna para almacenamiento del cable
 - L Filtro HEPA 13*
 - M Manguera desagüe
- (* Solo disponible en el modelo BXDH20E)

En caso de que su modelo no disponga de los accesorios descritos anteriormente, estos también pueden adquirirse por separado en los Servicios de Asistencia Técnica.

PANEL DE CONTROL

- 1 Temporizador
- 2 Secado interior
- 3 Velocidad del aire
- 4 Depósito lleno
- 5 Pantalla LED
- 6 Control de humedad
- 7 Modo / Secado de ropa
- 8 ON/OFF

INSTALACIÓN

- ◆ Asegurarse de retirar todo material de embalaje del interior del aparato.
- ◆ *(Solo para el modelo BXDH20E). Retire el marco del filtro. Saque el filtro HEPA de la bolsa de plástico y sitúelo en el espacio destinado para el filtro. Vuelva a colocar el marco con el filtro. Compruebe que se ha bloqueado en la posición correcta.
- ◆ Para reducir la vibración, el ruido y eventuales daños a alfombras y suelos de madera, coloque almohadillas, tiras de goma o similar, debajo del deshumidificador.

NOTAS PREVIAS AL USO:

- ◆ Asegúrese de que ha retirado todo el material de embalaje del producto.
- ◆ Algunas partes del aparato han sido ligeramente engrasadas, en consecuencia, al poner en marcha el aparato por primera vez puede desprender un ligero humo. Al cabo de poco tiempo este humo cesará.
- ◆ Para eliminar el olor que desprende el aparato al utilizarlo por primera vez, se recomienda tenerlo en marcha a máxima potencia durante 2 horas en una habitación bien ventilada.

USO:

- ◆ Extender completamente el cable antes de enchufar.
- ◆ Enchufar el aparato a la red eléctrica.
- ◆ Encender el aparato presionando el botón de encendido/apagado (8).
- ◆ Seleccionar la función deseada.

MODO:

- ◆ Pulse el botón modo (7) para seleccionar el modo automático o el modo secado de ropa
- ◆ En modo automático, el aparato funciona hasta alcanzar el porcentaje de humedad seleccionado. El porcentaje por defecto es 50%. Para más información, consulte al apartado FUNCIÓN DE AJUSTE DE HUMEDAD.
- ◆ La función de secado de ropa permite reducir el tiempo de secado al reducir la humedad. Para más información, consulte al apartado FUNCIÓN DE SECADO DE ROPA.
- ◆ El piloto luminoso superior indicará el modo seleccionado.

FUNCIÓN TEMPORIZADOR:

- ◆ Presione el botón del temporizador (1) para activar esta función.
- ◆ La pantalla LED mostrará la hora seleccionada.
- ◆ Ajuste el tiempo pulsando el botón tantas veces como sea preciso (1-24 h). Cada pulsación añade una hora.
- ◆ Una vez alcanzado el tiempo deseado deje de pulsar el botón. Tras 5 segundos, se confirma el tiempo seleccionado.
- ◆ El piloto luminoso superior se encenderá.
- ◆ Para cancelar la configuración del temporizador, pulse dos veces una vez confirmada la hora.

FUNCIÓN SECADO INTERIOR:

- ◆ Pulse el botón de secado interior (2).
- ◆ El piloto luminoso superior se encenderá.
- ◆ Esta función seca el interior del aparato para evitar la formación de moho. Su duración

aproximada es de 1 hora.

- ◆ El deshumidificador libera aire continuamente, a alta velocidad, durante 30 minutos. A continuación, pasa a baja velocidad durante otros 20 minutos.
- ◆ Para desactivar la función vuelva a pulsar el botón.
- ◆ Antes de almacenar el deshumidificador active esta función para evitar la formación de moho en su interior.

FUNCIÓN AJUSTE DE HUMEDAD:

- ◆ Esta función solo está disponible en modo automático.
- ◆ Pulse el botón de ajuste de humedad (6).
- ◆ En ese momento, se mostrará un porcentaje de humedad
- ◆ Cada vez que pulse el botón, el porcentaje de humedad aumentará un 5% hasta alcanzar el 80% máximo para después volver al 30%.
- ◆ Una vez alcanzado el porcentaje deseado deje de pulsar el botón. El aparato funcionará hasta que la humedad de la habitación llegue a ser un 5% inferior a la elegida. Entonces, el compresor se detendrá, pero el ventilador seguirá funcionando a la velocidad elegida.
- ◆ La pantalla LED mostrará la hora seleccionada.

FUNCIÓN SECADO DE LA ROPA:

- ◆ Pulse el botón de modo (7) para seleccionar esta función. El piloto luminoso superior indicará el modo seleccionado.
- ◆ Esta función activa el compresor independientemente de la humedad de la habitación. Esto permite un secado de la ropa más rápido.
- ◆ Para cancelar la función vuelva a pulsar el botón; cambiará a modo automático.

VELOCIDAD DEL VENTILADOR:

- ◆ Pulse el botón del ventilador (3) para elegir la velocidad (alta o baja).
- ◆ El piloto luminoso superior indicará la velocidad seleccionada.
- ◆ BLOQUEO INFANTIL *(SOLO PARA EL MODELO BXDH20E):
- ◆ Para activar esta función, mantenga pulsado el botón de modo (7) al menos 3 segundos.
- ◆ Los botones del panel de control quedarán deshabilitados.
- ◆ Para desbloquear el panel, repita el proceso.

DRENAJE (DEPÓSITO DE AGUA)

- ◆ Cuando se llene el depósito, el icono de depósito lleno (4) comenzará a parpadear. El aparato emitirá un aviso acústico.
- ◆ El compresor y el ventilador dejarán de funcionar.
- ◆ Proceda a retirar el depósito de agua. Coloque las manos en las zonas hundidas del depósito y sáquelo con cuidado.
- ◆ Retire la tapa del depósito de agua* y vacíelo.
- ◆ Vuelva a colocar la tapa y el depósito en su lugar para reiniciar el deshumidificador.

DRENAJE (DRENAJE CONTINUO)

- ◆ El aparato ofrece la posibilidad de conectar la manguera suministrada (Ø interno 9 mm) a la salida de drenaje (J) para un drenaje continuo.
- ◆ Para la instalación de la manguera, localice la salida de drenaje, desenrosque la cubierta y saque el tapón. Conecte la manguera a la salida.
- ◆ El extremo inferior de la manguera debe estar al menos 10 cm más bajo que la salida de agua.
- ◆ El extremo de la manguera no puede permanecer en el agua. Se debe instalar en un lugar que permita el drenaje continuo del agua.
- ◆ La manguera debe de permanecer en todo momento estirada para que el agua drene adecuadamente.
- ◆ Para una mayor información acerca del drenaje continuo, consulte la Fig. 1.

UNA VEZ FINALIZADO EL USO DEL APARATO:

- ◆ Detener el aparato, accionando el botón (8) encendido/ apagado.
- ◆ Desenchufar el aparato de la red eléctrica.
- ◆ Recoja el cable utilizando la columna para su almacenamiento (K).
- ◆ Limpiar el aparato.

ASAS Y RUEDAS*:

- ◆ Este aparato dispone de un asa en su parte superior para hacer fácil y cómodo su transporte (A).
- ◆ *(Solo para el modelo BXDH20E. El aparato cuenta con 4 ruedas (H) para facilitar el transporte y evitar lesiones.

LIMPIEZA

- ◆ Desenchufe el aparato de la red y deje que se enfríe antes de iniciar cualquier operación de limpieza.
- ◆ Limpie el conjunto eléctrico y el conector de red con un paño húmedo y séquelos después. NUNCA LOS SUMERJA EN AGUA O CUALQUIER OTRO LÍQUIDO.
- ◆ Limpie el aparato con un paño húmedo impregnado con unas gotas de detergente.
- ◆ No utilice disolventes, ni productos con un factor pH ácido o básico como la lejía, ni productos abrasivos, para la limpieza del aparato.
- ◆ No deje entrar agua u otro líquido por las aberturas de ventilación para evitar daños en las partes interiores del aparato.
- ◆ No sumergir el aparato en agua u otro líquido ni ponerlo debajo del grifo.
- ◆ Si el aparato no se mantiene en buen estado de limpieza, su superficie puede degradarse y afectar de forma inexorable la duración de la vida del aparato y provocar una situación peligrosa.
- ◆ Seque todas las partes antes de su montaje y almacenamiento.

AVERÍAS Y REPARACIÓN

- ◆ En caso de detectar cualquier anomalía consulte la siguiente tabla:

Anomalías	Causa	Solución
El aparato no funciona.	¿Se cae el enchufe?	Inserte el enchufe en la toma de corriente.
	¿El depósito de agua está lleno o mal colocado?	Vacíe el agua del depósito y vuelva a colocarlo.
	La temperatura ambiente es inferior a 5 °C o superior a 32 °C.	El fenómeno normal. El aparato no funciona por razones de seguridad.
La deshumidificación no es eficaz.	¿La temperatura ambiente o la humedad son demasiado bajas?	En condiciones secas la capacidad de deshumidificación se reduce.
	¿La salida y la entrada de aire están bloqueadas?	Retire los objetos que bloquean la salida y la entrada de aire.
El aire no se expulsa.	¿Está bloqueado el filtro de aire?	Limpie el filtro siguiendo las instrucciones anteriores.
Ruido anormal durante el funcionamiento.	¿El deshumidificador está inclinado o colocado de manera inestable?	Coloque el deshumidificador en un lugar nivelado
	¿Está bloqueado el filtro de aire?	Limpie el filtro siguiendo las instrucciones anteriores.
	Se escucha como una «débil risa»	Se trata del refrigerante al fluir; es normal.
Escapes de agua.	La conexión de drenaje se ha aflojado.	Fije la manguera de drenaje.
	El sistema de drenaje está bloqueado.	Elimine los obstáculos y enderece la manguera.
Aparece escarcha.	La temperatura es demasiado baja y está en espera del modo desescarche.	Es un fenómeno normal y el deshumidificador cuenta con una función de descongelación automática.
Si no encuentra la solución a su problema en la tabla, póngase en contacto con el servicio de asistencia técnica		



El aparato contiene refrigerante inflamable

Para las versiones EU del producto y/o en el caso de que en su país aplique:

Ecología y reciclabilidad del producto

- ◆ Los materiales que constituyen el envase de este aparato, están integrados en un sistema de recogida, clasificación y reciclado de los mismos. Si desea deshacerse de ellos, puede utilizar los contenedores públicos apropiados para cada tipo de material.
- ◆ El producto está exento de concentraciones de sustancias que se puedan considerar dañinas para el medio ambiente.



Este símbolo significa que si desea deshacerse del producto, una vez transcurrida la vida del mismo, debe depositarlo por los medios adecuados a manos de un gestor de residuos autorizado para la recogida selectiva de Residuos de Aparatos Eléctricos y Electrónicos (RAEE).

GARANTÍA Y ASISTENCIA TÉCNICA

- ◆ Este producto goza del reconocimiento y protección de la garantía legal de acuerdo con la legislación vigente. Para hacer valer sus derechos o intereses, debe acudir a cualquiera de nuestros servicios oficiales de asistencia técnica.
- ◆ Puede encontrar el más cercano accediendo al siguiente enlace web: <http://www.2helpu.com/>
- ◆ También puede solicitar información relacionada poniéndose en contacto con nosotros (consulte la última página del manual).
- ◆ Puede descargar este manual de instrucciones y sus actualizaciones en <http://www.2helpu.com/>

INSTRUCCIONES PARA LA REPARACIÓN DE ELECTRODOMÉSTICOS QUE CONTIENEN R290

INSTRUCCIONES GENERALES

Controles a la zona

- ◆ Antes de comenzar a trabajar en sistemas que contienen refrigerantes inflamables, se requieren controles de seguridad para garantizar que se minimice el riesgo de ignición. Para reparar el sistema de refrigeración, se deben cumplir las siguientes precauciones antes de realizar trabajos en el sistema.

Procedimiento de trabajo

- ◆ El trabajo se realizará bajo un procedimiento controlado a fin de minimizar el riesgo de presencia de un gas o vapor inflamable mientras se realiza el trabajo.

Área de trabajo general

- ◆ Todo el personal de mantenimiento y otras personas que trabajen en el área local recibirán instrucciones sobre la naturaleza del trabajo que se está llevando a cabo. Se debe evitar el trabajo en espacios confinados. El área alrededor del espacio de trabajo se seccionará. Asegúrese de que las condiciones dentro del área se hayan hecho seguras mediante el control del material inflamable.

Comprobando la presencia de refrigerante

- ◆ El área debe verificarse con un detector de refrigerante apropiado antes y durante el trabajo, para asegurar que el técnico conozca las atmósferas potencialmente inflamables. Asegúrese de que el equipo de protección contra fugas que se está utilizando sea adecuado para su uso con refrigerantes inflamables, es decir, antiempañamiento, sellado adecuado o intrínsecamente seguro.

Presencia de extintor

- ◆ Si se va a realizar un trabajo en caliente en el equipo de refrigeración o en cualquier pieza asociada, se debe tener a mano un equipo apropiado para extinguir el fuego. Tenga un extintor de polvo seco o CO2 adyacente al área de carga.

Sin fuentes de ignición

- ◆ Ninguna persona que realice un trabajo en relación con un sistema de refrigeración que implique exponer cualquier trabajo de tubería que contenga o haya contenido

refrigerante inflamable deberá utilizar cualquier fuente de ignición de forma que pueda ocasionar un incendio o una explosión. Todas las posibles fuentes de ignición, incluido el tabaquismo, deben mantenerse lo suficientemente lejos del sitio de instalación, reparación, eliminación y eliminación, durante el cual es posible que se libere refrigerante inflamable en el espacio circundante. Antes de que se lleve a cabo el trabajo, se debe inspeccionar el área alrededor del equipo para asegurarse de que no haya peligros inflamables ni riesgos de ignición. Los letreros de "No Fumar" serán desplegados.

Área ventilada

- ◆ Asegúrese de que el área esté abierta o que esté adecuadamente ventilada antes de ingresar al sistema o realizar cualquier trabajo en caliente. Un grado de ventilación continuará durante el período en que se realice el trabajo. La ventilación debe dispersar con seguridad cualquier refrigerante liberado y preferiblemente expulsarlo externamente a la atmósfera.

Controles al equipo de refrigeración

- ◆ Cuando se cambien componentes eléctricos, deberán ser aptos para el propósito y la especificación correcta. En todo momento se deben seguir las pautas de mantenimiento y servicio del fabricante. En caso de duda, consulte al departamento técnico del fabricante para obtener asistencia. Las siguientes comprobaciones se aplicarán a las instalaciones que utilizan refrigerantes inflamables: el tamaño de la carga está de acuerdo con el tamaño de la habitación en la que se instalan las piezas que contienen refrigerante; la maquinaria de ventilación y las salidas funcionan correctamente y no están obstruidas; si se utiliza un circuito de refrigeración indirecto, se debe verificar la presencia de refrigerante en el circuito secundario; el marcado en el equipo continúa siendo visible y legible. Marcas y signos que son ilegibles deben ser corregidos; Las tuberías o componentes de refrigeración están instalados en una posición en la que es poco probable que estén expuestos a cualquier sustancia que pueda corroer el componente que contiene refrigerantes, a menos que los componentes estén contruidos con materiales que sean intrínsecamente resistentes a la corrosión o que estén adecuadamente protegidos contra la corrosión.

Controles a dispositivos eléctricos

- ◆ La reparación y el mantenimiento de los componentes eléctricos deben incluir controles de seguridad iniciales y procedimientos de inspección de componentes. Si existe una falla que podría comprometer la seguridad, entonces no se deberá conectar ningún suministro eléctrico al circuito hasta que no se haya solucionado satisfactoriamente. Si la falla no se puede corregir de inmediato, pero es necesario continuar con la operación, se debe usar una solución temporal adecuada. Esto se informará al propietario del equipo para que se notifique a todas las partes.
- ◆ Las verificaciones de seguridad iniciales deben incluir: que los condensadores estén descargados: esto debe hacerse de manera segura para evitar la posibilidad de chispas; que no hay cables y componentes eléctricos activos expuestos durante la carga, recuperación o purga del sistema; que hay continuidad de la vinculación de la tierra.

REPARACIONES DE COMPONENTES SELLADOS

- ◆ Durante las reparaciones de los componentes sellados, todos los suministros eléctricos deben desconectarse del equipo que se está trabajando antes de retirar las cubiertas selladas, etc. Si es absolutamente necesario tener un suministro eléctrico al equipo durante el servicio, entonces una forma de funcionamiento permanente de La detección de fugas se debe ubicar en el punto más crítico para advertir sobre una situación potencialmente peligrosa.
- ◆ Se deberá prestar especial atención a lo siguiente para garantizar que, al trabajar con componentes eléctricos, la carcasa no se modifique de forma que se vea afectado el nivel de protección. Esto debe incluir daños a los cables, un número excesivo de conexiones, terminales no hechas a la especificación original, daños a las juntas, ajuste incorrecto de los prensaestopas, etc. Asegúrese de que el aparato esté montado de forma segura. Asegúrese de que las juntas o los materiales de sellado no se hayan degradado de manera que ya no sirvan para prevenir la entrada de atmósferas inflamables. Las piezas de repuesto deben estar de acuerdo con las especificaciones del fabricante.
- ◆ NOTA El uso de sellador de silicio puede inhibir la efectividad de algunos tipos de equipos de detección de fugas. Los componentes intrínsecamente seguros no tienen que ser aislados antes de trabajar en ellos.

REPARACIÓN DE COMPONENTES INTRÍNSECAMENTE SEGUROS

- ◆ No aplique cargas inductivas o de capacitancia permanentes al circuito sin asegurarse de que esto no exceda el voltaje y la corriente permitidos para el equipo en uso.
- ◆ Los componentes intrínsecamente seguros son los únicos tipos en los que se puede trabajar mientras se vive en presencia de una atmósfera inflamable. El aparato de prueba debe tener la calificación correcta. Reemplace los componentes solo con partes especificadas por el fabricante. Otras partes pueden provocar la ignición de refrigerante en la atmósfera por una fuga.

CABLEADO

- ◆ Verifique que el cableado no esté sujeto a desgaste, corrosión, presión excesiva, vibración, bordes afilados o cualquier otro efecto ambiental adverso. La verificación también tendrá en cuenta los efectos del envejecimiento o la vibración continua de fuentes tales como compresores o ventiladores.

DETECCIÓN DE REFRIGERANTES INFLAMABLES.

- ◆ Bajo ninguna circunstancia se deberán usar fuentes de ignición potenciales en la búsqueda o detección de fugas de refrigerante. No se debe usar una antorcha de haluro (o cualquier otro detector que use una llama desnuda).

MÉTODOS DE DETECCIÓN DE FUGAS

- ◆ Los siguientes métodos de detección de fugas se consideran aceptables para los sistemas que contienen refrigerantes inflamables. Se deben usar detectores electrónicos de fugas para detectar refrigerantes inflamables, pero la sensibilidad puede no ser adecuada o puede requerir una recalibración. (El equipo de detección se debe calibrar en un área sin refrigerante). Asegúrese de que el detector no sea una fuente de ignición potencial y sea adecuado para el refrigerante utilizado. El equipo de detección de fugas se ajustará a un porcentaje del LFL del refrigerante y se calibrará con el refrigerante empleado y se confirmará el porcentaje apropiado de gas (máximo del 25%). Los fluidos de detección de fugas son adecuados para usar con la mayoría de los refrigerantes, pero se debe evitar el uso de detergentes que contengan cloro, ya que el cloro puede reaccionar con el refrigerante y corroer las tuberías de cobre. Si se sospecha una fuga, todas las llamas desnudas deben ser eliminadas / extinguidas. Si se encuentra una fuga de refrigerante que requiere soldadura fuerte, todo el refrigerante debe ser recuperado del sistema o aislado (por medio de válvulas de cierre) en una parte del sistema alejada de la fuga. El nitrógeno libre de oxígeno (OFN) se debe purgar a través del sistema antes y durante el proceso de soldadura fuerte.

EXTRACCIÓN Y EVACUACIÓN

- ◆ Cuando se rompa en el circuito de refrigerante para realizar reparaciones, o para cualquier otro propósito, se deben usar procedimientos convencionales. Sin embargo, es importante que se sigan las mejores prácticas ya que la inflamabilidad es una consideración. Se debe cumplir el siguiente procedimiento: eliminar el refrigerante; purgar el circuito con gas inerte; evacuar; purgar de nuevo con gas inerte; abra el circuito cortando o soldando. La carga de refrigerante se recuperará en los cilindros de recuperación correctos. El sistema se "purgará" con OFN para hacer que la unidad sea segura. Este proceso puede necesitar repetirse varias veces. El aire comprimido u oxígeno no se debe usar para esta tarea. El enjuague debe lograrse rompiendo el vacío en el sistema con OFN y continua llenándose hasta que se logre la presión de trabajo, luego se expulsa a la atmósfera y finalmente se reduce al vacío. Este proceso se repetirá hasta que no haya refrigerante dentro del sistema. Cuando se utiliza la carga final de OFN, el sistema debe descargarse a la presión atmosférica para permitir que se lleve a cabo el trabajo. Esta operación es absolutamente vital si se van a realizar operaciones de soldadura fuerte en la tubería. Asegúrese de que la salida de la bomba de vacío no esté cerca de ninguna fuente de ignición y que haya ventilación disponible.

PROCEDIMIENTOS DE CARGA

- ◆ Además de los procedimientos de carga convencionales, se deben seguir los siguientes requisitos.
- ◆ Asegúrese de que no haya contaminación de diferentes refrigerantes cuando utilice el equipo de carga. Las mangueras o líneas deben ser lo más cortas posible para minimizar la cantidad de refrigerante que contienen.
- ◆ Los cilindros deben mantenerse en posición vertical.
- ◆ Asegúrese de que el sistema de refrigeración esté conectado a tierra antes de cargar el sistema con refrigerante.
- ◆ Etiquete el sistema cuando la carga esté completa (si no es así).
- ◆ Se debe tener extremo cuidado de no sobrellenar el sistema de refrigeración.
- ◆ Antes de recargar el sistema, se someterá a prueba de presión con OFN. El sistema se probará contra fugas al finalizar la carga, pero antes de la puesta en marcha. Se debe realizar una prueba de fuga de seguimiento antes de abandonar el sitio.

DESMANTELIAMIENTO

- ◆ Antes de llevar a cabo este procedimiento, es esencial que el técnico esté completamente familiarizado con el equipo y todos sus detalles. Se recomienda como buena práctica que todos los refrigerantes se recuperen de manera segura. Antes de llevar a cabo la tarea, se tomará una muestra de aceite y refrigerante en caso de que se requiera un análisis antes de la reutilización del refrigerante regenerado. Es esencial que la energía eléctrica esté disponible antes de comenzar la tarea.
- ◆ a) Familiarizarse con el equipo y su funcionamiento.
- ◆ b) Aislar el sistema eléctricamente.
- ◆ c) Antes de intentar el procedimiento, asegúrese de que: el equipo de manejo mecánico esté disponible, si es necesario, para el manejo de cilindros de refrigerante; todo el equipo de protección personal está disponible y se usa correctamente; el proceso

- de recuperación es supervisado en todo momento por una persona competente; Los equipos y cilindros de recuperación cumplen con los estándares apropiados.
- ◆ d) Bombee el sistema de refrigerante, si es posible.
- ◆ e) Si no es posible el vacío, haga un colector para que el refrigerante se pueda extraer de varias partes del sistema.
- ◆ f) Asegúrese de que el cilindro esté situado en la báscula antes de que tenga lugar la recuperación.
- ◆ g) Arranque la máquina de recuperación y opere de acuerdo con las instrucciones del fabricante.
- ◆ h) No llene demasiado los cilindros. (No más del 80% de carga líquida de volumen).
- ◆ i) No exceda la presión máxima de trabajo del cilindro, aunque sea temporalmente.
- ◆ j) Cuando los cilindros se hayan llenado correctamente y se haya completado el proceso, asegúrese de que los cilindros y el equipo se retiren del sitio de inmediato y que todas las válvulas de aislamiento del equipo estén cerradas.
- ◆ k) El refrigerante recuperado no debe cargarse en otro sistema de refrigeración a menos que haya sido limpiado y verificado.

ETIQUETADO

- ◆ El equipo debe estar etiquetado indicando que ha sido desactivado y vaciado del refrigerante. La etiqueta deberá estar fechada y firmada.
- ◆ Asegúrese de que haya etiquetas en el equipo que indiquen que el equipo contiene refrigerante inflamable.

RECUPERACIÓN

- ◆ Cuando se retira el refrigerante de un sistema, ya sea para el mantenimiento o la clausura, se recomienda una buena práctica para que todos los refrigerantes se eliminen de manera segura. Al transferir refrigerante a los cilindros, asegúrese de que solo se empleen cilindros de recuperación de refrigerante apropiados. Asegúrese de que esté disponible la cantidad correcta de cilindros para retener la carga total del sistema.
- ◆ Todos los cilindros que se utilizarán están diseñados para el refrigerante recuperado y etiquetados para ese refrigerante (es decir, cilindros especiales para la recuperación de refrigerante). Los cilindros deben estar completos con válvula de alivio de presión y válvulas de cierre asociadas en buen estado de funcionamiento. Los cilindros de recuperación vacíos se evacúan y, si es posible, se enfrían antes de que se produzca la recuperación.
- ◆ El equipo de recuperación debe estar en buen estado de funcionamiento con un conjunto de instrucciones relativas al equipo que se tiene a mano y debe ser adecuado para la recuperación de refrigerantes inflamables. Además, debe haber un juego de balanzas calibradas disponible y en buen estado de funcionamiento. Las mangueras deben estar completas con acoplamientos de desconexión libres de fugas y en buenas condiciones. Antes de usar la máquina de recuperación, verifique que esté en buen estado de funcionamiento, que se haya mantenido adecuadamente y que todos los componentes eléctricos asociados estén sellados para evitar el encendido en caso de que se libere refrigerante. Consulte al fabricante si tiene dudas.
- ◆ El refrigerante recuperado se devolverá al proveedor de refrigerante en el cilindro de recuperación correcto y se colocará la Nota de transferencia de residuos correspondiente. No mezcle refrigerantes en unidades de recuperación y especialmente no en cilindros.
- ◆ Si los compresores o aceites del compresor deben ser removidos, asegúrese de que hayan sido evacuados a un nivel aceptable para asegurarse de que el refrigerante inflamable no permanezca dentro del lubricante. El proceso de evacuación se llevará a cabo antes de devolver el compresor a los proveedores. Para acelerar este proceso, solo debe emplearse calefacción eléctrica en el cuerpo del compresor. Cuando se extrae el aceite de un sistema, debe llevarse a cabo de manera segura.

Competencia del personal de servicio General

- ◆ Se requiere capacitación especial adicional a los procedimientos habituales de reparación de equipos de refrigeración cuando el equipo con refrigerantes inflamables se ve afectado.
- ◆ En muchos países, esta capacitación se lleva a cabo por organizaciones nacionales de capacitación que están acreditadas para enseñar las normas de competencia nacional relevantes que pueden establecerse en la legislación.
- ◆ La competencia lograda debe estar documentada por un certificado.

Formación

- ◆ La capacitación debe incluir el contenido de lo siguiente:
- ◆ Información sobre el potencial de explosión de refrigerantes inflamables para demostrar que los productos inflamables pueden ser peligrosos si se manipulan sin cuidado.
- ◆ Información sobre posibles fuentes de ignición, especialmente aquellas que no son obvias, como encendedores, interruptores de luz, aspiradoras, calentadores eléctricos.
- ◆ Información sobre los diferentes conceptos de seguridad:
- ◆ Sin ventilación (ver Cláusula GG.2) La seguridad del aparato no depende de la venti-

lación de la carcasa. La desconexión del aparato o la apertura de la carcasa no tiene ningún efecto significativo en la seguridad. Sin embargo, es posible que se acumule refrigerante con fugas dentro del gabinete y se liberará una atmósfera inflamable cuando se abra el gabinete.

- ◆ Recinto ventilado (ver Cláusula GG.4) La seguridad del artefacto depende de la ventilación de la carcasa. La desconexión del aparato o la apertura del armario tiene un efecto significativo en la seguridad. Se debe tener cuidado para garantizar una ventilación suficiente antes.
- ◆ Sala ventilada (ver Cláusula GG.5) La seguridad del aparato depende de la ventilación de la habitación. La desconexión del aparato o la apertura de la carcasa no tiene ningún efecto significativo en la seguridad. La ventilación de la habitación no se desconectará durante los procedimientos de reparación.
- ◆ Información sobre el concepto de componentes sellados y envoltentes sellados según IEC 6007915: 2010.
- ◆ Información sobre los procedimientos de trabajo correctos:

Puesta en servicio

- ◆ Asegúrese de que el área del piso sea suficiente para la carga de refrigerante o de que el conducto de ventilación esté ensamblado de la manera correcta.
- ◆ Conecte las tuberías y realice una prueba de fugas antes de cargar el refrigerante.
- ◆ Verifique el equipo de seguridad antes de ponerlo en servicio.

Mantenimiento

Desmantelamiento

- ◆ El equipo portátil debe repararse en el exterior o en un taller especialmente equipado para reparar unidades con refrigerantes inflamables.
- ◆ Asegure suficiente ventilación en el lugar de reparación.
- ◆ Tenga en cuenta que el mal funcionamiento del equipo puede ser causado por la pérdida de refrigerante y es posible que haya una fuga de refrigerante.
- ◆ Descargue los condensadores de manera que no provoquen chispas. El procedimiento estándar para cortocircuitar los terminales del condensador generalmente crea chispas.
- ◆ Vuelva a armar los armarios sellados con precisión. Si los sellos están desgastados, reemplácelos.
- ◆ Verifique el equipo de seguridad antes de ponerlo en servicio.

Reparar

- ◆ El equipo portátil debe repararse en el exterior o en un taller especialmente equipado para reparar unidades con refrigerantes inflamables.
- ◆ Asegure suficiente ventilación en el lugar de reparación.
- ◆ Tenga en cuenta que el mal funcionamiento del equipo puede ser causado por la pérdida de refrigerante y es posible que haya una fuga de refrigerante.
- ◆ Descargue los condensadores de manera que no provoquen chispas.
- ◆ Cuando se requiera soldadura fuerte, los siguientes procedimientos se llevarán a cabo en el orden correcto:
 - ◆ Retire el refrigerante. Si las regulaciones nacionales no requieren la recuperación, drene el refrigerante hacia el exterior. Tenga cuidado de que el refrigerante drenado no cause ningún peligro. En la duda, una persona debe guardar la salida. Tenga especial cuidado de que el refrigerante drenado no flote nuevamente dentro del edificio.
- ◆ Evacuar el circuito de refrigerante.
- ◆ Purgue el circuito de refrigerante con nitrógeno durante 5 minutos.
- ◆ Evacuar nuevamente.
- ◆ Retire las piezas que se reemplazarán cortando, no por llama.
- ◆ Purgue el punto de soldadura con nitrógeno durante el procedimiento de soldadura fuerte.
- ◆ Realice una prueba de fugas antes de cargar refrigerante.
- ◆ Vuelva a armar los armarios sellados con precisión. Si los sellos están desgastados, reemplácelos.
- ◆ Verifique el equipo de seguridad antes de ponerlo en servicio.
- ◆ Si la seguridad se ve afectada cuando el equipo se pone fuera de servicio, la carga de refrigerante deberá eliminarse antes de la clausura.
- ◆ Asegure una ventilación suficiente en la ubicación del equipo.
- ◆ Tenga en cuenta que el mal funcionamiento del equipo puede ser causado por la pérdida de refrigerante y es posible que haya una fuga de refrigerante.
- ◆ Descargue los condensadores de manera que no provoquen chispas.
- ◆ Retire el refrigerante. Si las regulaciones nacionales no requieren la recuperación, drene el refrigerante hacia el exterior. Tenga cuidado de que el refrigerante drenado no cause ningún peligro. En la duda, una persona debe guardar la salida. Tenga especial cuidado de que el refrigerante drenado no flote nuevamente dentro del edificio.

- ◆ Evacuar el circuito de refrigerante.
- ◆ Purgue el circuito de refrigerante con nitrógeno durante 5 minutos.
- ◆ Evacuar nuevamente.
- ◆ Llene con nitrógeno hasta la presión atmosférica.
- ◆ Coloque una etiqueta en el equipo que indique que se retiró el refrigerante.

Eliminación

- ◆ Asegurar una ventilación suficiente en el lugar de trabajo.
- ◆ Retire el refrigerante. Si las regulaciones nacionales no requieren la recuperación, drene el refrigerante hacia el exterior. Tenga cuidado de que el refrigerante drenado no cause ningún peligro. En la duda, una persona debe guardar la salida. Tenga especial cuidado de que el refrigerante drenado no flote nuevamente dentro del edificio.
- ◆ Evacuar el circuito de refrigerante.
- ◆ Purgue el circuito de refrigerante con nitrógeno durante 5 minutos.
- ◆ Evacuar nuevamente.
- ◆ Cortar el compresor y drenar el aceite.
- ◆ Transporte, marcado y almacenamiento para unidades que emplean refrigerantes inflamables
- ◆ Transporte de equipos que contienen refrigerantes inflamables
- ◆ Se llama la atención sobre el hecho de que pueden existir regulaciones de transporte adicionales con respecto a los equipos que contienen gases inflamables. La cantidad máxima de equipos o la configuración del equipo, que se permite transportar juntos, estará determinada por las normas de transporte aplicables.

Marcado de equipos con signos

- ◆ Los avisos de electrodomésticos similares que se usan en un área de trabajo generalmente son tratados por las reglamentaciones locales y brindan los requisitos mínimos para la provisión de señales de seguridad y / o de salud para un lugar de trabajo.
- ◆ Se deben mantener todos los letreros requeridos y los empleadores deben asegurarse de que los empleados reciban instrucción y capacitación adecuada y suficiente sobre el significado de las señales de seguridad apropiadas y las acciones que deben tomarse en relación con estas señales.
- ◆ La efectividad de los signos no debe verse disminuida por demasiados signos que se colocan juntos.
- ◆ Cualquier pictograma utilizado debe ser lo más simple posible y contener solo detalles esenciales.
- ◆ Eliminación de equipos que utilizan refrigerantes inflamables

Ver regulaciones nacionales.

- ◆ Almacenamiento de equipos / electrodomésticos
- ◆ El almacenamiento del equipo debe estar de acuerdo con las instrucciones del fabricante.
- ◆ Almacenamiento de equipos empacados (sin vender)
- ◆ La protección del paquete de almacenamiento debe estar construida de tal manera que el daño mecánico al equipo dentro del paquete no cause una fuga de la carga de refrigerante.
- ◆ La cantidad máxima de equipos permitidos para almacenarse juntos será determinado por las regulaciones locales.

Este aparato cumple con la Directiva 2014/35/EU de Baja Tensión, con la Directiva 2014/30/EU de Compatibilidad Electromagnética, con la Directiva 2011/65/EU sobre restricciones a la utilización de determinadas sustancias peligrosas en aparatos eléctricos y electrónicos y con la Directiva 2009/125/EC sobre los requisitos de diseño ecológico aplicable a los productos relacionados con la energía.

DESUMIDIFICADOR BXDH12E BXDH20E

Egregio cliente,

Obrigado por ter adquirido um produto da marca BLACK+DECKER.

A sua tecnologia, design e funcionalidade, aliados às mais rigorosas normas de qualidade, garantir-lhe-ão uma total satisfação durante muito tempo.



Leia com atenção este manual antes de instalar e utilizar o seu ar desumidificador. Guarde este manual de instruções para uma eventual garantia do produto e para consultas futuras.

ADVERTÊNCIA

- ◆ Utilize apenas os meios de aceleração do processo de descongelação e de limpeza recomendados pelo fabricante e não outros.
- ◆ O aparelho deve ser armazenado numa divisão onde não existam fontes de ignição em funcionamento contínuo (por exemplo: chamas vivas, um aparelho a gás em funcionamento ou um aquecedor elétrico em funcionamento).
- ◆ Não perfurar nem queimar.
- ◆ Tenha em conta que os gases de refrigeração podem ser inodoros.
- ◆ O dispositivo deve ser instalado, operado e armazenado numa divisão com área de piso superior a 4 m².

ADVERTÊNCIA

- ◆ Informação específica sobre aparelhos com gás de refrigeração R290.
- ◆ Leia com atenção todas as advertências.
- ◆ Quando descongelar e limpar a aplicação, não utilize outras ferramentas a não ser as recomendadas pela empresa fabricante.
- ◆ O aparelho deve colocar-se numa área sem fontes de ignição contínua (por exemplo: chamas vivas, gás ou aparelhos elétricos em funcionamento).
- ◆ Não perfurar nem queimar.
- ◆ Este aparelho contém 52 gramas de gás de refrigeração R290.
- ◆ R290 é um gás de refrigeração que cumpre as diretivas europeias sobre o meio ambiente. Não perfure nenhuma parte do circuito de refrigeração.
- ◆ Se o aparelho estiver instalado, a funcionar ou armazenado numa área sem ventilação, a habitação deverá estar projetada para evitar a acumulação de fugas de gás de

- ◆ refrigeração, as quais acarretam um risco de incêndio ou de explosão devido à ignição do gás de refrigeração causada por aquecedores elétricos, lareiras ou outras fontes de ignição.
- ◆ O aparelho deve ser armazenado de maneira a evitar falhas mecânicas.
- ◆ Quem operar ou trabalhar no circuito de refrigeração deverá possuir uma certificação emitida por uma organização acreditada que garanta a competência no manejo de gases de refrigeração, feita de acordo com uma avaliação específica reconhecida pelas associações do setor.
- ◆ As reparações devem realizar-se com base nas recomendações da empresa fabricante. A manutenção e as reparações que requeiram a assistência de outro tipo de técnicos qualificados devem realizar-se sob a supervisão de um técnico especializado em gases de refrigeração inflamáveis.

CONSELHOS E ADVERTÊNCIAS DE SEGURANÇA

- ◆ Este aparelho pode ser utilizado por pessoas não familiarizadas com a sua utilização, pessoas incapacitadas ou crianças a partir dos 8 anos, desde que o façam sob supervisão ou tenham recebido formação sobre a utilização segura do aparelho e compreendam os perigos que este acarreta.
- ◆ Este aparelho não é um brinquedo.
- ◆ As crianças devem ser vigiadas para garantir que não brincam com o aparelho.
- ◆ Não permitir que as crianças efetuem a limpeza e manutenção sem supervisão.
- ◆ Instale o aparelho conforme as normas nacionais de cablagem.
- ◆ Deixe um espaço de 50 cm entre o aparelho e as paredes ou outros obstáculos. Não cubra nem obstrua os lados do aparelho. Deixe um espaço mínimo de 50 cm em redor do aparelho.
- ◆ O aparelho necessita de ventilação adequada para funcionar corretamente.
- ◆ Se a ligação à corrente elétrica estiver danificada, deve ser substituída. Leve o aparelho a um Serviço de Assistência Técnica autorizado. Não tente desmontar ou reparar o aparelho, já que pode ser perigoso.
- ◆ Este aparelho foi concebido exclusivamente para uso doméstico, não para uso profissional ou industrial.
- ◆ Antes de ligar o aparelho à corrente, verifique se a voltagem indicada nas características coincide com a

voltagem da rede elétrica.

- ◆ Ligue o aparelho a uma tomada elétrica com ligação a terra e que suporte 10 amperes.
- ◆ A ficha do aparelho deve coincidir com a tomada de corrente elétrica. Nunca modifique a ficha. Não use adaptadores de ficha.
- ◆ Não force o cabo elétrico. Nunca utilize o cabo de alimentação para levantar, transportar ou desligar o aparelho da corrente.
- ◆ Não enrole o cabo no aparelho.
- ◆ Verifique se o cabo elétrico não está trilhado ou dobrado.
- ◆ Evite que o cabo elétrico entre em contacto com as superfícies quentes do aparelho.
- ◆ Verifique o estado do cabo de elétrico. Os cabos danificados ou entrelaçados aumentam o risco de choque elétrico.
- ◆ Como medida de protecção adicional na instalação eléctrica que alimenta o aparelho, é recomendável dispor de um dispositivo de corrente diferencial que não exceda os 30 mA. Consulte um técnico de instalação.
- ◆ Não toque na ficha de ligação com as mãos molhadas.
- ◆ Não utilize o aparelho se tiver o cabo elétrico ou a ficha danificados.
- ◆ Se algum dos elementos que envolvem o aparelho se partir, desligue imediatamente o aparelho da corrente para evitar a possibilidade de sofrer um choque elétrico.
- ◆ Não utilize o aparelho se este caiu e se existirem sinais visíveis de danos ou de fuga.
- ◆ Utilize o aparelho numa zona bem ventilada.
- ◆ Deverá haver uma ventilação adequada da divisão, se onde o aparelho estiver instalado forem utilizados simultaneamente outros aparelhos a gás ou com outro tipo de combustível.
- ◆ Não coloque o aparelho num local onde possa ficar exposto à luz solar directa.
- ◆ Coloque o aparelho sobre uma superfície plana e estável, apta a suportar temperaturas elevadas, longe de outras fontes de calor e de possíveis salpicos de água.
- ◆ Não utilize nem guarde o aparelho ao ar livre.
- ◆ Não exponha o aparelho à chuva ou a condições de humidade. A água que entrar no aparelho aumentará o risco de choque elétrico.
- ◆ **ADVERTÊNCIA:** Não utilizar o aparelho perto da água.
- ◆ Não force o cabo elétrico. Nunca utilize o cabo de alimentação para levantar, transportar ou desligar o aparelho da corrente. Manter o aparelho longe de fontes de calor e de arestas.

Utilização e cuidados:

- ◆ Depois de cada utilização, desenrolar completamente o cabo de alimentação do aparelho.
- ◆ Não utilize o aparelho se o dispositivo de ligar/desligar não funcionar. Não remova os pés do aparelho. Não mova o aparelho enquanto estiver em funcionamento.
- ◆ Utilize as pegas para agarrar ou transportar o aparelho.
- ◆ Não inverta nem desloque o aparelho enquanto estiver a ser utilizado ou ligado à corrente.
- ◆ Desligue o aparelho da rede quando não estiver a ser utilizado e antes de iniciar qualquer operação de limpeza.
- ◆ Guarde este aparelho fora do alcance de crianças e/ ou de pessoas que apresentem capacidades físicas, sensoriais ou mentais reduzidas, ou falta de experiência e conhecimento.
- ◆ Não exponha o aparelho a temperaturas extremas. Mantenha e guarde o aparelho num local seco, sem pó e afastado da luz solar. Nunca deixe o aparelho ligado e sem vigilância. Além disso, poupará energia e prolongará a vida do aparelho.
- ◆ Qualquer utilização inadequada ou em desacordo com as instruções de utilização pode ser perigosa e anula a garantia e a responsabilidade do fabricante.
- ◆ Retire e esvazie o depósito de água antes de mover o aparelho. A água derramada pode provocar danos nas peças do interior do aparelho.
- ◆ Utilize as pegas e as rodas para transportar facilmente o aparelho e evitar possíveis danos pessoais.
- ◆ *(apenas para o modelo BXDH20E) Para garantir o correto funcionamento do sistema de purificação do ar, substitua o filtro HEPA após cerca de 2000 h de utilização. Para comprar filtros novos, contacte o serviço de assistência técnica.

SERVIÇO

- ◆ Certifique-se de que o aparelho só é reparado por pessoal especializado e que apenas peças sobresselentes ou acessórios originais são utilizados para substituir peças / acessórios existentes.
- ◆ Qualquer uso impróprio, ou em desacordo com as instruções de uso, pode ser perigoso, anulando a garantia do fabricante e a responsabilidade.

DESCRIÇÃO

- A Asa de Transporte
- B Painel de controlo

- C Painel frontal
- D Painel traseiro
- E Tampa do depósito de água*
- F Pega do depósito de água*
- G Depósito de água
- H Rodas
- I Encaixe do filtro
- J Saída de drenagem
- K Coluna de armazenamento do cabo
- L Filtro HEPA 13*
- M Tubo de descarga

(* Apenas disponível no modelo BXDH20E)

Caso o seu modelo de aparelho não disponha dos acessórios descritos anteriormente, pode adquiri-los separadamente nos Serviços de Assistência Técnica

PAINEL DE CONTROLE

- 1 Temporizador
- 2 Secagem interior
- 3 Velocidade do ar
- 4 Depósito cheio
- 5 Ecrã LED
- 6 Controlo da humidade
- 7 Modo / Secagem de roupa
- 8 ON/OFF

Instalação

- ◆ Retirar todo material de embalagem do interior do aparelho.
- ◆ *(Apenas para o modelo BXDH20E) Retire o encaixe do filtro. Retire o filtro HEPA do saco de plástico e coloque-o no espaço destinado ao filtro. Torne a colocar o encaixe com o filtro. Verifique se ficou bloqueado na posição correta.
- ◆ Para reduzir a vibração, o ruído e eventuais danos nas carpetes e pavimentos de madeira, coloque calços, tiras de borracha ou algo similar por debaixo do desumidificador.

MODO DE UTILIZAÇÃO

Notas para antes da utilização:

- ◆ Certifique-se de que retirou todo o material de embalagem do produto.
- ◆ Aquando da primeira utilização, o aparelho poderá libertar fumos devido ao facto de algumas partes do aparelho terem sido levemente lubrificadas. Ao fim de pouco tempo, o fumo desaparecerá.
- ◆ Para eliminar o cheiro que o aparelho liberta aquando da primeira utilização, é recomendável colocá-lo em funcionamento na potência máxima durante 2 horas numa divisão bem ventilada.

Utilização:

- ◆ Desenrole completamente o cabo antes de o ligar à tomada.
- ◆ Ligue o aparelho à rede elétrica.
- ◆ Coloque o aparelho em funcionamento, acionando o botão de ON/OFF (8).
- ◆ Selecione a função desejada.

MODO:

- ◆ Prima o botão de modo (7) para seleccionar entre o modo automático e o modo de secagem de roupa
- ◆ No modo automático, o aparelho funciona até alcançar a percentagem de humidade seleccionada. A percentagem predefinida é 50 %. Para mais informações, consulte a secção FUNÇÃO DE AJUSTE DA HUMIDADE.
- ◆ A função de secagem de roupa permite reduzir o tempo de secagem ao reduzir a humidade. Para mais informações, consulte a secção FUNÇÃO DE SECAGEM DE ROUPA.
- ◆ O indicador luminoso superior indicar o modo seleccionado.
- ◆ **FUNÇÃO DE TEMPORIZADOR:**
- ◆ Prima o botão do temporizador (1) para ativar esta função.
- ◆ O ecrã LED irá mostrar a hora seleccionada.
- ◆ Ajuste o tempo premindo o botão tantas vezes quantas a que for preciso (1-24 h). Cada vez que premir o botão adiciona uma hora.
- ◆ Uma vez atingido o tempo desejado deixe de premir o botão. Após 5 segundos, o tempo seleccionado é confirmado.
- ◆ O indicador luminoso superior acender-se-á.

- ◆ Para cancelar a configuração do temporizador, prima duas vezes quando a hora for confirmada.

FUNÇÃO DE SECAGEM INTERIOR:

- ◆ Prima o botão de secagem interior (2).
- ◆ O indicador luminoso superior acender-se-á.
- ◆ Esta função seca o interior do aparelho para evitar a formação de mofo. Tem duração aproximada de 1 hora.
- ◆ O desumidificador liberta ar continuamente, a alta velocidade, durante 30 minutos. Em seguida, passa para baixa velocidade durante mais 20 minutos.
- ◆ Para desativar a função torne a premir o botão.
- ◆ Antes de guardar o desumidificador ative esta função para evitar a formação de mofo no seu interior.

FUNÇÃO DE AJUSTE DA HUMIDADE:

- ◆ Esta função apenas está disponível no modo automático.
- ◆ Prima o botão de ajuste da humidade (6).
- ◆ Nesse momento, aparece uma percentagem de humidade
- ◆ Cada vez que premir o botão, a percentagem de humidade aumenta 5 % até alcançar o máximo de 80%, para depois voltar aos 30 %.
- ◆ Uma vez atingido a percentagem desejada deixe de premir o botão. O aparelho irá funcionar até que a humidade da divisão seja 5 % inferior à selecionada. Nessa altura, o compressor para, mas o ventilador continuará a funcionar à velocidade selecionada.
- ◆ O ecrã LED irá mostrar a a hora selecionada.

FUNÇÃO DE SECAGEM DE ROUPA:

- ◆ Prima o botão de modo (7) para ativar esta função. O indicador luminoso superior indicar o modo selecionado.
- ◆ Esta função ativa o compressor independentemente do nível de humidade da divisão. Tal permite secar roupa mais rapidamente.
- ◆ Para cancelar a função torne a premir o botão, voltará ao modo automático.

VELOCIDADE DO VENTILADOR:

- ◆ Prima o botão do ventilador (3) para selecionar a velocidade (alta ou baixa).
- ◆ O indicador luminoso superior indicar a velocidade selecionada.

BLOQUEIO DE SEGURANÇA INFANTIL *(APENAS PARA O MODELO BXDH20E):

- ◆ Para ativar esta função, mantenha o botão de modo (7) premido durante, pelo menos, 3 segundos.
- ◆ Os botões do painel de controlo ficam desativados.
- ◆ Para desbloquear o painel, repita o processo.

DRENAGEM (DEPÓSITO DE ÁGUA)

- ◆ Quando o depósito fica cheio, o ícone de depósito cheio (4) começa a piscar. O aparelho emite um aviso sonoro.
- ◆ O compressor e o ventilador deixam de funcionar.
- ◆ Retire, então, o depósito de água. Coloque as mãos nas áreas fundidas do depósito e retire-o com cuidado.
- ◆ Retire a tampa do depósito de água* e esvazie-o.
- ◆ Torne a colocar a tampa e o depósito no seu lugar para reiniciar o desumidificador.

DRENAGEM (DRENAGEM CONTÍNUA)

- ◆ O aparato oferece a possibilidade de conectar o tubo fornecido (Ø interno de 9 mm) à saída de drenagem (J) para uma drenagem contínua.
- ◆ Para a instalação do tubo, localize a saída de drenagem, desenrosque a cobertura e retire a tampa. Ligue o tubo à saída.
- ◆ A extremidade inferior do tubo deve estar, pelo menos, 10 cm mais baixa do que a saída de água.
- ◆ A extremidade do tubo não deve permanecer dentro de água. Deve ser instalada num local que permita a drenagem contínua da água.
- ◆ O tubo deve permanecer sempre bem esticado para a água drene corretamente.
- ◆ Para mais informações sobre a drenagem contínua, consulte a Fig. 1.

UMA VEZ CONCLUÍDA A UTILIZAÇÃO DO APARELHO:

- ◆ Desligue o aparelho, acionando o botão (8) ON/OFF
- ◆ Desligue o aparelho da corrente elétrica.
- ◆ Recolha o cabo utilizando a coluna própria para o seu armazenamento (K).
- ◆ Limpe o aparelho.
- ◆ PEGAS E RODAS*:
- ◆ Este aparelho dispõe de uma pega na sua parte de cima para transporte fácil e cómodo (A).
- ◆ *(Apenas para o modelo BXDH20E) O aparelho vem equipado com 4 rodas (H) para facilitar o transporte e evitar danos pessoais.

LIMPEZA

- ◆ Desligue o aparelho da corrente e deixe-o arrefecer antes de iniciar qualquer operação de limpeza.
- ◆ Limpe o aparelho e o cabo elétrico com um pano húmido e seque-os de seguida. NUNCA MERGULHE O APARELHO OU O CONECTOR EM ÁGUA OU EM QUALQUER OUTRO LÍQUIDO.
- ◆ Limpe o aparelho com um pano húmido com algumas gotas de detergente.
- ◆ Não utilize solventes, produtos com um fator pH ácido ou básico como a lixívia, nem produtos abrasivos para a limpeza do aparelho.
- ◆ Não deixe entrar água ou outro líquido pelas aberturas de ventilação para evitar danos nas partes interiores do aparelho.
- ◆ Nunca mergulhe o aparelho em água ou em qualquer outro líquido nem o coloque debaixo da torneira.
- ◆ Se o aparelho não for mantido limpo, a sua superfície pode degradar-se e afetar de forma irreversível a duração da vida do aparelho e conduzir a uma situação de perigo.
- ◆ Secar todas as partes antes de montar e guardar o aparelho.
- ◆ Limpeza do filtro de ar:
- ◆ Limpe os filtros de ar a cada 2 semanas. Se o filtro de ar estiver bloqueado com pó, a sua eficiência diminuirá.
- ◆ Lave os filtros de ar mergulhando-os cuidadosamente em água quente com um detergente neutro, enxagúe-os e deixe-os secar completamente num local à sombra.
- ◆ Instale os filtros cuidadosamente após estarem limpos.
- ◆ *(apenas para o modelo BXDH20E) Para garantir o correto funcionamento do sistema de purificação do ar, substitua o filtro HEPA após cerca de 2000 h de utilização. Para comprar filtros novos, contacte o serviço de assistência técnica

AVARIAS E REPARAÇÃO

- ◆ No caso de detectar algum problema, consulte a seguinte tabela:

Anomalias	Causa	Solução
O aparelho não funciona.	A ficha caiu?	Ligue a ficha à corrente elétrica.
	O depósito de água está cheio ou mal colocado?	Esvazie a água do depósito e torne a colocá-lo.
	A temperatura ambiente é inferior a 5 °C ou superior a 32 °C.	É um fenómeno normal. O aparelho não funciona por razões de segurança.
A desumidificação não é eficaz.	A temperatura ambiente ou a humidade são demasiado baixas?	Em condições de secura, a capacidade de desumidificação é reduzida.
	A saída e a entrada do ar estão bloqueadas?	Retire os objetos que bloqueiam a saída e a entrada de ar.
O ar não sai.	O filtro de ar está bloqueado?	Limpe o filtro seguindo as instruções anteriores.
Ruído anormal durante o funcionamento.	O desumidificador está inclinado ou colocado de maneira instável?	Coloque o desumidificador num sítio nivelado
	O filtro de ar está bloqueado?	Limpe o filtro seguindo as instruções anteriores.
	Ouve-se um leve ruído «como um riso»	É o líquido de refrigeração a fluir; é normal.
Há fugas de água.	A ligação do tubo de descarga está solta.	Aperte bem o tubo de descarga.
	O sistema de descarga está bloqueado	Elimine os obstáculos e endireite o tubo.
Aparece gelo.	A temperatura é demasiado baixa e o aparelho está em espera no modo de descongelação.	É um fenómeno normal e o desumidificador vem equipado com uma função de descongelação automática.
Se não encontrar a solução para o seu problema nesta tabela, contacte o serviço de assistência técnica		



O aparelho contém um gás de refrigeração inflamável

Para as versões EU do produto e/ou caso aplicável no seu país:

Ecologia e reciclagem do produto

- Os materiais que constituem a embalagem deste aparelho estão integrados num sistema de recolha, classificação e reciclagem. Se desejar eliminá-los, utilize os contentores de reciclagem colocados à disposição para cada tipo de material.
- O produto está isento de concentrações de substâncias que podem ser consideradas nocivas para o ambiente.



Este símbolo significa que se desejar desfazer-se do produto depois de terminada a sua vida útil, deve entregá-lo através dos meios adequados ao cuidado de um gestor de resíduos autorizado para a recolha seletiva de Resíduos de Equipamentos Elétricos e Eletrónicos (REEE).

GARANTIA E ASSISTÊNCIA TÉCNICA

- Este produto goza do reconhecimento e proteção da garantia legal em conformidade com a legislação em vigor. Para fazer valer os seus direitos ou interesses, deve recorrer sempre aos nossos serviços oficiais de assistência técnica. Poderá encontrar o mais próximo de si através
- do seguinte website: <http://www.2helpu.com/> Também pode solicitar informações relacionadas, pondo-se em contacto conosco (consulte a última página do manual). Pode fazer o download deste manual de instruções e suas atualizações em <http://www.2helpu.com/>

INSTRUÇÕES PARA A REPARAÇÃO DE ELETRODOMÉSTICOS QUE CONTÉM R290

INSTRUÇÕES GERAIS

Controlo da área

- Antes de se começarem os trabalhos em sistemas que contêm gases de refrigeração inflamáveis, é necessário realizar um controlo de segurança para garantir que o risco de ignição é minimizado. Para reparar o sistema de refrigeração, devem ser tomadas as seguintes precauções antes de se realizarem quaisquer trabalhos no sistema.

Procedimento de trabalho

- O trabalho realizar-se-á sob um procedimento controlado a fim de minimizar o risco da presença de gases ou vapores inflamáveis enquanto se efetua o trabalho.

Área geral de trabalho

- O pessoal de manutenção e todas as outras pessoas que trabalharem no local irão

receber instruções sobre a natureza do trabalho que vai ser efetuado. Deve-se

- evitar trabalhar em espaços confinados. A área em redor do espaço de trabalho deve ser seccionada. Certifique-se de que as condições no interior da área foram asseguradas mediante o controlo do material inflamável.

Comprovação da presença de gás de refrigeração

- A área deve ser toda verificada com um detetor de gás apropriado, antes e durante o trabalho, para assegurar que o técnico toma conhecimento das atmosferas potencialmente inflamáveis. Certifique-se de que o equipamento de proteção contra fugas que se está a ser utilizado é adequado à utilização com gases de refrigeração inflamáveis, nomeadamente, desembaciamento e selagem adequada ou intrinsecamente segura.

Presença de extintor

- Sempre que se for realizar um trabalho a quente no equipamento de refrigeração, ou em qualquer outra peça associada, dever-se-á ter à mão equipamento apropriado para extinguir fogos. Tenha um extintor de pó seco ou CO2 adjacente à área de carga.

ausência de fontes de ignição

- Quem for realizar um trabalho no sistema de refrigeração que implique expor qualquer tubagem que contenha ou tenha contido um gás de refrigeração inflamável, não deverá utilizar nenhuma fonte de ignição sob pena de causar um incêndio ou uma explosão. Qualquer fonte de ignição, incluindo o tabagismo, deverá ser mantida suficientemente afastada do local durante a instalação, reparação e eliminação, uma vez que é possível que se liberte gás de refrigeração inflamável para o espaço circundante. Antes de se iniciar o trabalho, a área em redor do equipamento deve ser inspecionada para se certificar de que não existem materiais inflamáveis nem risco de ignição. Devem ser colocados letreiros com "Proibido Fumar".

Área ventilada

- Certifique-se de que a área é aberta ou está suficientemente ventilada antes de entrar no sistema ou de efetuar qualquer trabalho a quente. Deve ser mantido um certo grau de ventilação durante a realização do trabalho. A ventilação deverá dispersar em segurança qualquer gás de refrigeração que se tenha libertado e, de preferência, expulsá-lo para o exterior.

Controlo do equipamento de refrigeração

- Quando se mudam componentes elétricos, estes deverão ser os adequados ao propósito e com a especificação correta. Deve-se sempre seguir as guias de manutenção e serviço do fabricante. Em caso de dúvida, consulte o departamento técnico do fabricante para obter assistência. Deve-se comprovar o seguinte nas instalações que utilizam gases de refrigeração inflamáveis: o tamanho da carga está de acordo com o tamanho da divisão onde se instalam as peças que contêm gases de refrigeração; o equipamento de ventilação e as saídas funcionam corretamente e não estão obstruídos; se se utilizar um circuito de refrigeração indireto, deve-se verificar a presença de gases de refrigeração no circuito secundário; a etiquetagem do equipamento continua visível e legível. As etiquetas e os símbolos que estão ilegíveis devem ser corrigidos; as tubagens ou os componentes da refrigeração devem estar instalados numa

posição na qual é pouco provável estarem expostos a qualquer substância que possa corroer os componentes que contém os gases de refrigeração, a menos que esses componentes sejam fabricados com materiais intrinsecamente resistentes à corrosão ou estejam protegidos de maneira adequada.

Controlo dos dispositivos eléctricos

- ◆ A reparação e a manutenção dos componentes eléctricos devem incluir controlos de segurança iniciais e procedimentos de inspeção dos componentes. Se existir alguma falha que possa comprometer a segurança, então não se deverá conectar nenhuma fonte de alimentação eléctrica ao circuito até que tenha sido solucionada. Se a falha não puder ser imediatamente corrigida, mas ao mesmo tempo é necessário continuar com a operação, deve-se então utilizar uma solução temporária adequada. Deve-se informar o proprietário do equipamento para que todas as partes sejam notificadas.
- ◆ As verificações de segurança iniciais devem incluir: os condensadores devem estar descarregados: isto deve ser feito de maneira segura para evitar a possibilidade de ocorrência de faíscas; não devem haver nenhum cabo nem nenhum componente eléctrico ativo exposto durante a carga, recuperação ou purga do sistema; deve haver continuidade na ligação à terra.

REPARAÇÃO DE COMPONENTES SELADOS

- ◆ Durante as reparações dos componentes selados, todas as ligações eléctricas devem ser desconectadas do equipamento em que se está a operar antes de se retirar as coberturas seladas, etc. Se for absolutamente necessário efetuar um fornecimento eléctrico ao equipamento durante o serviço, então deverá existir um equipamento de deteção de fugas em funcionamento permanente colocado no ponto mais crítico para advertir sobre uma situação potencialmente perigosa.
- ◆ Dever-se-á prestar especial atenção ao seguinte para garantir que, nos trabalhos em componentes eléctricos, a cobertura não seja modificada de forma que o nível de proteção seja afetado. Isto inclui danos nos cabos, um número excessivo de conexões, terminais que não seguem as especificações de origem, danos nas juntas, ajuste incorreto das caixas, etc. Certifique-se de que o aparelho está montado de forma segura. Certifique-se de que as juntas ou os materiais de selagem não estão degradados de tal maneira que já não sirvam para prevenir a entrada de ar inflamável. As peças sobressalentes devem estar de acordo com as instruções do fabricante.
- ◆ NOTA O uso de selante de silício pode inibir a eficácia de alguns tipos de equipamentos de deteção de fugas. Os componentes intrinsecamente seguros não necessitam de ser isolados antes de se trabalhar neles.

REPARAÇÃO DE COMPONENTES INTRINSECAMENTE SEGUROS

- ◆ Não aplique cargas indutivas ou de capacitância permanentes ao circuito sem primeiro certificar-se de que estas não excedem a voltagem e a corrente permitidas para o equipamento em questão.
- ◆ Os componentes intrinsecamente seguros são os únicos tipos em que se pode trabalhar enquanto na presença de uma atmosfera inflamável. O aparelho de teste deve possuir a qualificação correta. Os componentes devem apenas ser substituídos com as peças especificadas pelo fabricante. Outros tipos de peças poderão provocar a ignição do gás de refrigeração no ar devido a fuga.

CABLAGEM

- ◆ Verifique que a cablagem não está sujeita a desgaste, corrosão, pressão excessiva, vibrações, pontas afiadas ou qualquer outro efeito ambiental adverso. A verificação também deve ter em conta os efeitos do envelhecimento e da vibração contínua de fontes como compressores ou ventiladores.

DETEÇÃO DE GASES DE REFRIGERAÇÃO INFLAMÁVEIS.

- ◆ Sob nenhuma circunstância se devem utilizar fontes de ignição potenciais na busca de ou deteção de fugas de gases de refrigeração. Nunca utilizar tochas de halogénio (ou qualquer outro detetor que utilize uma chama aberta).

MÉTODOS DE DETEÇÃO DE FUGAS

- ◆ Os seguintes métodos de deteção de fugas são considerados aceitáveis para os sistemas que contém gases de refrigeração inflamáveis. Devem-se usar detetores electrónicos de fugas para detectar gases de refrigeração inflamáveis, mas a sensibilidade do equipamento pode não ser a adequada ou pode requerer uma recalibração. (O equipamento de deteção deve ser calibrado numa área sem gases de refrigeração). Certifique-se de que o detetor não se torna numa potencial fonte de ignição e que é adequado para o gás de refrigeração utilizado. O equipamento de deteção de fugas deve ser ajustado a uma percentagem do LFL do gás de refrigeração e calibrado com o gás de refrigeração utilizado e deve-se também confirmar a percentagem apropriada do gás (máxima 25%). Os fluidos de deteção de fugas são adequados para utilização com a maioria dos gases de refrigeração, mas deve-se evitar o uso de detergentes que contenham cloro, já que o cloro pode reagir com o gás de refrigeração e corroer os tubos de cobre. Se se suspeitar de uma fuga, todas as chamas abertas devem ser eliminadas/extintas. Se se encontrar uma fuga de gás de refrigeração que requeira

uma soldadura forte, todo o gás de refrigeração deverá ser recuperado do sistema ou isolado (por meio de válvulas de fecho) numa parte do sistema afastada da fuga. O azoto isento de oxigénio (OFN) deve ser purgado através do sistema antes e durante o processo de soldadura forte.

EXTRAÇÃO E EVACUAÇÃO

- ◆ Sempre que se quebre o circuito de refrigeração para realizar reparações, ou para qualquer outro propósito, devem-se utilizar procedimentos convencionais. No entanto, é importante que se sigam as melhores práticas já que a inflamabilidade é um fator a ter em consideração. Deve-se cumprir o seguinte procedimento: eliminar o gás de refrigeração; purgar o circuito com gás inerte; evacuar; purgar de novo com gás inerte; abrir o circuito cortando ou soldando. A carga de gás de refrigeração é recuperada para os cilindros de recuperação corretos.
- ◆ O sistema deve ser "purgado" com OFN para fazer com que a unidade seja segura. Pode ser necessário repetir várias vezes este processo. Não se deve nunca utilizar ar comprimido nem oxigénio nesta tarefa. O enxaguamento deve ser feito quebrando o vazio do sistema com OFN e continua-se a encher até atingir a pressão de trabalho, expulsando-se logo em seguida a atmosfera e, finalmente, reduzindo-a até ao vazio. Este processo deve ser repetido até não haver mais gás de refrigeração dentro do sistema. Quando se utiliza a carga final de OFN, o sistema deve descarregar até à pressão atmosférica para permitir que possa realizar o trabalho. Esta operação é absolutamente vital para a realização de operações de soldadura forte na tubagem. Certifique-se de que a saída da bomba de vazio não está perto de nenhuma fonte de ignição e que há ventilação.

PROCEDIMENTOS DE CARGA

- ◆ Para além dos procedimentos de carga convencionais, devem-se seguir os seguintes requisitos.
- ◆ Certifique-se de que não há contaminação com diferentes gases de refrigeração quando utilizar o equipamento de carga. As mangueiras ou tubos devem ser o mais curtos possível para minimizar a quantidade de gases de refrigeração que possam conter.
- ◆ Os cilindros devem ser mantidos na posição vertical.
- ◆ Certifique-se de que o sistema de refrigeração está ligado à terra antes de carregar o sistema com o gás de refrigeração.
- ◆ Faça a etiquetagem do sistema quando a carga estiver completa (se ainda não estiver).
- ◆ Deve-se ter imenso cuidado para não sobrecarregar o sistema de refrigeração.
- ◆ Antes de carregar o sistema, teste a pressão com OFN. O sistema deverá ser testado contra fugas após a carga estar completa, mas antes de ser ligado. Deve ser feito um novo teste de fugas antes de abandonar a área.

DESMANTELAMENTO

- ◆ Antes de levar a cabo este procedimento, é essencial que o técnico esteja completamente familiarizado com o equipamento e todos os seus detalhes. Recomenda-se como boa prática que todos os gases de refrigeração sejam recuperados de maneira segura. Antes de realizar a tarefa, deve-se colher uma amostra de óleo e de gás de refrigeração para o caso de que se requerer uma análise antes da reutilização do gás de refrigeração regenerado. É essencial que haja energia eléctrica antes de começar a tarefa.
- ◆ a) Deve-se familiarizar com o equipamento e o seu funcionamento.
- ◆ b) Isolar eletricamente o sistema.
- ◆ c) Antes de iniciar o procedimento, certifique-se que: o equipamento mecânico está disponível, se necessário, para o manejo dos cilindros de refrigeração; todo o equipamento de proteção individual está disponível e é utilizado corretamente; o processo de recuperação é supervisionado em todos os momentos por alguém competente; os equipamentos e cilindros de recuperação cumprem todos os standards apropriados.
- ◆ d) Bombeie o sistema de refrigeração, se possível.
- ◆ e) Se não for possível o vazio, arranje um coletor para que o gás de refrigeração possa ser extraído de várias partes do sistema.
- ◆ f) Certifique-se de que o cilindro está colocado na balança antes de iniciar a recuperação.
- ◆ g) Arranque a máquina de recuperação e opere-a de acordo com as instruções do fabricante.
- ◆ h) Não encha demasiado os cilindros. (Não mais de 80% do volume de carga líquida).
- ◆ i) Não exceda a pressão máxima de trabalho do cilindro, mesmo temporariamente.
- ◆ j) Quando os cilindros forem corretamente enchidos e
- ◆ o processo esteja completo, certifique-se de que os cilindros e o equipamento são imediatamente retirados do sítio e que todas as válvulas de isolamento do equipamento estão fechadas.
- ◆ k) O gás de refrigeração recuperado não deve ser carregado noutra sistema de refrigeração a menos que tenha sido limpo e verificado.

ETIQUETAGEM

- ◆ O equipamento deve estar etiquetado indicando que foi desativado e o gás de refrigeração esvaziado. A etiqueta deverá estar selada e fixada.
- ◆ Certifique-se de que existem etiquetas no equipamento a indicar que o equipamento contém um gás de refrigeração inflamável.

RECUPERAÇÃO

- ◆ Quando se retira o gás de refrigeração de um sistema, seja para manutenção ou encerramento, recomenda-se como boa prática que todos os gases de refrigeração sejam eliminados de forma segura. Ao transferir o gás de refrigeração para os cilindros, assegure-se de que apenas se utilizam cilindros de recuperação apropriados para gases de refrigeração. Certifique-se de que existe à disposição a quantidade correta de cilindros para reter a carga total do sistema. Todos os cilindros a utilizar devem ter sido projetados para a recuperação de gases de refrigeração recuperado e etiquetados para esse gás (ou seja, cilindros especiais para a recuperação do gás de refrigeração). Os cilindros devem estar completos com válvula de alívio de pressão e válvulas de fechamento em bom estado de funcionamento. Os cilindros de recuperação vazios são evacuados e, se possível, refrigerados antes de se proceder à recuperação.
- ◆ O equipamento de recuperação deve estar em bom estado de funcionamento e vir com um conjunto de instruções que se deve ter à mão e deverá ser adequado para a recuperação de gases de refrigeração inflamáveis. Para além disso, deverá haver à disposição um conjunto de balanças calibradas em bom estado de funcionamento. As mangueiras devem estar completas com acoplamentos de desconexão isentos de fugas e em boas condições. Antes de utilizar a máquina de recuperação, verifique se está em bom estado de funcionamento, se foi mantida de maneira adequada e se todos os componentes elétricos associados estão selados para evitar a ignição em caso de fuga de gás de refrigeração. Em caso de dúvida, consulte o fabricante.
- ◆ O gás de refrigeração recuperado deve ser devolvido ao fornecedor do gás no cilindro de recuperação correto e deve ser colocada a etiqueta de transferência de resíduos correspondente. Nunca misture gases de refrigeração nas unidades de recuperação e, muito especialmente, nos cilindros.
- ◆ Se os compressores ou o óleo do compressor também forem removidos, certifique-se de que são evacuados a um nível aceitável para se ter a certeza de que de que não permanece gás de refrigeração inflamável dentro do lubrificante. O processo de evacuação deve ser realizado antes de se devolver o compressor aos fornecedores. Para acelerar este processo, deve apenas utilizar-se aquecimento elétrico no corpo do compressor. Quando se extrair o óleo do sistema, tal deve ser efetuado de maneira segura.

Competências do pessoal da assistência técnica

Geral

- ◆ É requerida capacitação especial adicional aos procedimentos habituais de reparação de equipamentos de refrigeração para o caso de equipamentos com gases de refrigeração inflamáveis.
- ◆ Em muitos países, esta capacitação é levada a cabo por organizações nacionais de formação que estão acreditadas para ensinar as normas de competência nacional relevantes estabelecidas na legislação.
- ◆ A competência obtida deve estar documentada num certificado.

Formação

- ◆ A capacitação deve incluir o seguinte conteúdo:
- ◆ Informação sobre o potencial de explosão dos gases de refrigeração inflamáveis para demonstrar que os produtos inflamáveis podem ser perigosos se não forem manipulados com cuidado.
- ◆ Informação sobre possíveis fontes de ignição, especialmente aquelas que não são óbvias, como isqueiros, interruptores de luz, aspiradores, aquecedores elétricos.
- ◆ Informação sobre os diferentes conceitos de segurança:
- ◆ Sem ventilação (ver Cláusula GG.2) A segurança do aparelho não depende da ventilação da cobertura. A desconexão do aparelho ou a abertura da cobertura não tem nenhum efeito significativo na segurança. No entanto, é possível que se acumule gás de refrigeração devido a fugas dentro do recinto e se liberte uma atmosfera inflamável quando se abrir o recinto.
- ◆ Recinto ventilado (ver Cláusula GG.2) A segurança do aparelho depende da ventilação da cobertura. A desconexão do aparelho ou a abertura do recinto têm um efeito significativo na segurança. Deve-se tomar as devidas precauções para garantir ventilação suficiente.
- ◆ Sala ventilada (ver Cláusula GG.2) A segurança do aparelho depende da ventilação da divisão. A desconexão do aparelho ou a abertura da cobertura não tem nenhum efeito significativo na segurança. A ventilação da divisão não deve ser desligada durante os procedimentos de reparação.
- ◆ Informação sobre o conceito de componentes selados e envolventes selados segundo a norma IEC 60079-15: 2010.

- ◆ Informação sobre os procedimentos de trabalho corretos:

Ligação

- ◆ Assegure-se de que a área de piso é suficiente para a carga de gás de refrigeração ou de que as condutas de ventilação foram corretamente montadas.
- ◆ Conecte os tubos e efetue um teste de fugas antes de carregar o gás de refrigeração.
- ◆ Verifique o equipamento de segurança antes de o por em funcionamento.

Manutenção

- ◆ O equipamento portátil deve ser reparado no exterior ou numa oficina especialmente equipada para reparar unidades com refrigerantes gases de refrigeração inflamáveis.
- ◆ Certifique-se de que o local de ventilação é suficiente- mente ventilado.
- ◆ Tenha em conta que o mau funcionamento do equipamento pode ser causado pela perda de gases de refrigeração e é possível que haja uma fuga.
- ◆ Esvazie os condensadores de maneira a não provocar faíscas. O procedimento standard para o curto-circuito dos terminais do condensador geralmente gera faíscas.
- ◆ Volte a armar os gabinetes selados com precisão. Se os selos estiverem desgastados, proceda à sua substituição.
- ◆ Verifique o equipamento de segurança antes de o por em funcionamento.

Reparação

- ◆ O equipamento portátil deve ser reparado no exterior ou numa oficina especialmente equipada para reparar unidades com refrigerantes gases de refrigeração inflamáveis.
- ◆ Certifique-se de que o local de ventilação é suficiente- mente ventilado.
- ◆ Tenha em conta que o mau funcionamento do equipamento pode ser causado pela perda de gases de refrigeração e é possível que haja uma fuga.
- ◆ Esvazie os condensadores de maneira a não provocar faíscas.
- ◆ Quando for necessário uma soldadura forte, devem ser executados os seguintes procedimentos na ordem correcta:
- ◆ Proceda à remoção do gás de refrigeração. Se os regulamentos nacionais não exigirem a recuperação, drene o gás de refrigeração para o exterior. Tenha cuidado para que o gás de refrigeração drenado não cause nenhum perigo. Em caso de dúvida, deverá estar alguém de guarda à saída. Tenha especial cuidado para que o gás de refrigeração drenado não flutue novamente para dentro do edifício.
- ◆ Proceda à evacuação do circuito de refrigeração.
- ◆ Purgue o circuito de refrigeração com azoto durante 5 minutos.
- ◆ Proceda novamente à evacuação.
- ◆ Retire as peças a substituir através de corte, não com chama.
- ◆ Purgue o ponto de soldadura com azoto durante o procedimento de soldadura forte.
- ◆ Realize um teste de fugas antes de efetuar a carga do gás de refrigeração.
- ◆ Volte a armar os gabinetes selados com precisão. Se os selos estiverem desgastados, proceda à sua substituição.
- ◆ Verifique o equipamento de segurança antes de o por em funcionamento.

Desmantelamento

- ◆ Se a segurança for afetada quando o equipamento é posto fora de serviço, a carga de gás de refrigeração deverá ser eliminada antes do encerramento.
- ◆ Certifique-se de que existe ventilação suficiente na divisão onde está o equipamento.
- ◆ Tenha em conta que o mau funcionamento do equipamento pode ser causado pela perda de gases de refrigeração e é possível que haja uma fuga.
- ◆ Esvazie os condensadores de maneira a não provocar faíscas.
- ◆ Proceda à remoção do gás de refrigeração. Se os regulamentos nacionais não exigirem a recuperação, drene o gás de refrigeração para o exterior. Tenha cuidado para que o gás de refrigeração drenado não cause nenhum perigo. Em caso de dúvida, deverá estar alguém de guarda à saída. Tenha especial cuidado para que o gás de refrigeração drenado não flutue novamente para dentro do edifício.
- ◆ Proceda à evacuação do circuito de refrigeração.
- ◆ Purgue o circuito de refrigeração com azoto durante 5 minutos.
- ◆ Proceda novamente à evacuação.
- ◆ Proceda ao enchimento com azoto até à pressão atmosférica.
- ◆ Coloque uma etiqueta no equipamento a indicar que se removeu o gás de refrigeração.
- ◆ Ver os regulamentos nacionais.
- ◆ Certifique-se de que existe ventilação suficiente no local de trabalho.
- ◆ Proceda à remoção do gás de refrigeração. Se os regulamentos nacionais não exigirem a recuperação, drene o gás de refrigeração para o exterior. Tenha cuidado para que o gás de refrigeração drenado não cause nenhum perigo. Em caso de dúvida, deverá estar alguém de guarda à saída. Tenha especial cuidado para que o gás de refrigeração drenado não flutue novamente para dentro do edifício.

- ◆ Proceda à evacuação do circuito de refrigeração.
- ◆ Purgue o circuito de refrigeração com azoto durante 5 minutos.
- ◆ Proceda novamente à evacuação.
- ◆ Proceda ao corte do compressor e à drenagem do óleo.

Transporte, marcação e armazenamento de unidades que contenham gases de refrigeração inflamáveis

- ◆ Transporte de equipamentos que contêm gases de refrigeração inflamáveis
- ◆ Chama-se especial atenção sobre poderem existir regulamentos de transporte adicionais relativamente aos equipamentos que contêm gases inflamáveis. A quantidade máxima de equipamentos ou a configuração
- ◆ do equipamento que é permitido transportar em conjunto é determinada pelas normas de transporte em vigor.

Marcação de equipamentos com símbolos

- ◆ As marcações de eletrodomésticos similares que são utilizados numa área de trabalho geralmente são tratados pelos regulamentos locais e visam os requisitos mínimos para o fornecimento de avisos de segurança e/ ou higiene no local de trabalho.
- ◆ Devem manter-se todos os letreiros requeridos e os empregadores devem assegurar-se de que os seus empregados recebem as instruções e capacitação adequadas e suficientes sobre o significado dos avisos de segurança e as ações que devem tomar relativamente a estes avisos.
- ◆ A eficácia dos símbolos não deve ser diminuída por se colocarem demasiados símbolos juntos.
- ◆ Qualquer pictograma utilizado deve ser o mais simples possível e conter apenas os detalhes essenciais.

Eliminação de equipamentos que utilizam gás de refrigeração inflamáveis

- ◆ Armazenamento de equipamentos / eletro- domésticos
- ◆ O armazenamento do equipamento deve ser feito de acordo com as instruções do fabricante.

Armazenamento de equipamentos embalados (sem venda)

- ◆ A proteção da embalagem de armazenamento deve ser feita de maneira a que quaisquer danos mecânicos causados ao equipamento dentro da embalagem não provoquem a fuga do gás de refrigeração.
- ◆ A quantidade máxima de equipamentos permitidos em armazenagem conjunta é determinada pelos regulamentos locais.

Este aparelho cumpre a Diretiva 2014/35/EU de Baixa Tensão, a Diretiva 2014/30/EU de Compatibilidade Eletromagnética, a Diretiva 2011/65/EU sobre restrições à utilização de determinadas substâncias perigosas em aparelhos elétricos e eletrónicos e a Diretiva 2009/125/EC sobre os requisitos de design ecológico aplicável aos produtos relacionados com a energia.

LUCHTONTVOCHTIGER BXDH12E BXDH20E

Geachte klant:

We danken u voor de aankoop van een product van het merk BLACK+DECKER. De technologie, het ontwerp en de functionaliteit van dit product, dat voldoet aan de meest strikte kwaliteitseisen, staan garant voor langdurige tevredenheid.



Uw luchtontvochtiger niet installeren of gebruiken voordat u deze handleiding zorgvuldig heeft gelezen. Bewaar deze handleiding voor een eventuele productgarantie en voor toekomstig gebruik.

WAARSCHUWING

- ◆ Gebruik geen middelen om het ontdooiproces te versnellen of om het apparaat te reinigen, anders dan de middelen aanbevolen door de fabrikant.
- ◆ Het apparaat moet worden bewaard in een kamer zonder ontstekingsbronnen in continue werking (bijv. open vuur, een apparaat op gas dat werkt of een elektrisch vuurtje dat werkt).
- ◆ Niet doorboren of verbranden.
- ◆ Hou er rekening mee dat de koelmiddelen geurloos kunnen zijn.
- ◆ Het apparaat moet worden geïnstalleerd, gebruikt en bewaard in een ruimte met een oppervlakte van meer dan 4 m².

WAARSCHUWING

- ◆ Specifieke informatie over apparaten met koelgas R290.
- ◆ Lees zorgvuldig alle waarschuwingen.
- ◆ Bij het ontdooien en schoonmaken van het apparaat mag u enkel het gereedschap gebruiken dat door de fabrikant aanbevolen wordt.
- ◆ Het apparaat moet in een ruimte worden geplaatst zonder ontstekingsbronnen die continu werken (bijvoorbeeld: open vuur, gas of elektrische apparatuur in werking).
- ◆ Niet doorboren of verbranden.
- ◆ Dit apparaat bevat 52 gram koelgas R290.
- ◆ R290 is een koelgas dat voldoet aan de Europese richtlijnen inzake het milieu. Geen enkel onderdeel van het koelcircuit mag doorboord worden.
- ◆ Als het apparaat geïnstalleerd, gebruikt of bewaard wordt in een niet-geventileerde ruimte, moet de ruimte zo worden ontworpen om ophoping van lekkage van koelmiddel te voorkomen, hetgeen een brand- of explosiegevaar met zich meebrengt vanwege de ontsteking van het koelmiddel veroorzaakt door elektrische verwarmingselementen, ovens of andere ontstekingsbronnen.

- ◆ Het apparaat moet op zo'n manier worden bewaard dat mechanische defecten worden vermeden.
- ◆ Mensen die werken met of werken in het koelcircuit moeten beschikken over de juiste certificering afgegeven door een erkende organisatie die de bekwaamheid garandeert op het vlak van de hantering van koelmiddelen, in overeenstemming met een specifieke evaluatie erkend door de verenigingen van de industrie.
- ◆ Reparaties dienen te gebeuren op basis van de aanbevelingen van de fabrikant. Onderhoudswerkzaamheden en reparaties die de assistentie van ander gekwalificeerd personeel vereisen, moeten worden uitgevoerd onder toezicht van een persoon die thuis is in het gebruik van brandbare koelmiddelen.
- ◆ Veiligheidsadviezen en waarschuwingen Dit toestel mag, onder toezicht, door personen met lichamelijke, zintuiglijke of geestelijke beperkingen, of met een gebrek aan ervaring en kennis, of kinderen vanaf 8 jaar gebruikt worden, mits zij voldoende informatie ontvangen hebben om het toestel op een veilige manier te kunnen gebruiken en de gevaren kennen.
- ◆ Dit apparaat is geen speelgoed.
- ◆ Laat kinderen niet zonder toezicht in de buurt van het apparaat om er zeker van te zijn dat ze er niet mee spelen.
- ◆ Laat kinderen geen reiniging of onderhoud verrichten zonder toezicht.
- ◆ Installeer het apparaat in overeenstemming met de lokale regelgeving aangaande kabels.
- ◆ Bewaar een afstand van 50 cm tussen het apparaat en muren of andere voorwerpen. De zijanten van het apparaat niet afdekken of versoppen, een ruimte van minstens 50 cm vrijlaten rondom het apparaat.
- ◆ Het apparaat vereist afdoende ventilatie om goed te kunnen werken.
- ◆ Wanneer het netsnoer beschadigd is, moet het vervangen worden.
- ◆ Breng het apparaat naar een erkende Technische hulpdienst. Probeer het apparaat niet zelf te demonteren of te repareren, want dit kan gevaarlijk zijn.
- ◆ Dit apparaat is bedoeld voor huishoudelijk gebruik, niet voor professioneel of industrieel gebruik.
- ◆ Voordat u het apparaat op het stroomnet aansluit, dient u de spanningsgegevens op het typeplaatje te vergelijken met de waarden van het stroomnet.
- ◆ Sluit het apparaat aan op een stopcontact dat tenminste 10 Ampère kan leveren.
- ◆ De stekker van het apparaat moet geschikt zijn voor het stopcontact. Wijzig de stekker niet. Gebruik geen adapters.
- ◆ Het stroomsnoer niet forceren. Het snoer nooit gebruiken om het apparaat op te tillen, te transporteren of om de stekker uit het stopcontact te trekken.

- ◆ Het snoer niet oprollen rond het apparaat.
- ◆ Controleer dat het netsnoer niet bekneld of geknikt is.
- ◆ Zorg ervoor dat het stroomsnoer niet gespannen is of in contact komt met de hete oppervlakken van het apparaat.
- ◆ Controleer de staat van de elektriciteitskabel. Kapotte kabels of kabels die in de war zijn vergroten het risico van elektrische schokken.
- ◆ Het wordt aanbevolen een differentiële schakelaar te installeren met een maximale gevoeligheid van 30 mA, als extra beveiliging van de elektrische voeding. Raadpleeg een installateur.
- ◆ Raak de stekker niet met natte handen aan.
- ◆ Het apparaat niet gebruiken wanneer het snoer of de stekker beschadigd is.
- ◆ Wanneer de behuizing van het apparaat stukgaat, koppel het dan onmiddellijk los van het lichtnet om een elektrische schok te voorkomen.
- ◆ Gebruik het apparaat niet als het is gevallen, wanneer er zichtbare tekenen van schade zijn of wanneer het lekt.
- ◆ Gebruik het apparaat in een goed geventileerde ruimte.
- ◆ Wanneer men het apparaat gebruikt in een ruimte met nog andere apparaten die werken op gas of brandstof, moet de ruimte goed geventileerd zijn.
- ◆ Stel het apparaat niet bloot aan direct zonlicht.
- ◆ Plaats het toestel op een effen en stabiel oppervlak, ver verwijderd van warmtebronnen en water.
- ◆ Bewaar of gebruik het toestel niet buitenshuis.
- ◆ Het apparaat niet aan regen of vochtigheid blootstellen. Water dat in het apparaat komt vergroot het risico van een elektrische schok.
- ◆ WAARSCHUWING: Het apparaat niet in de buurt van water gebruiken.
- ◆ Forceer het stroomsnoer niet. Het snoer nooit gebruiken om het apparaat op te tillen, te transporteren of om de stekker uit het stopcontact te trekken. Houdt het apparaat verwijderd van scherpe hoeken en warmtebronnen.

Gebruik en onderhoud:

- ◆ Vóór het gebruik, het stroomsnoer van het apparaat volledig afrollen.
- ◆ Gebruik het apparaat niet als de aan-/uitknop niet werkt. Verwijder de voetjes van het apparaat niet. Het apparaat niet verplaatsen terwijl het werkt.
- ◆ Gebruik de handgrepen om het apparaat op te tillen of te verplaatsen.
- ◆ Keer het apparaat niet om terwijl het in gebruik is of aangesloten is op het lichtnet.
- ◆ De stekker van het apparaat uittrekken als het niet gebruikt wordt en alvorens het apparaat te reinigen.
- ◆ Houd dit apparaat buiten bereik van kinderen en/of personen met lichamelijke, zintuiglijke of geestelijke beperkingen, of met een gebrek aan ervaring en kennis. Het apparaat niet blootstellen aan extreme temperaturen. Het apparaat op een droge en donkere plaats opbergen en bewaren. Laat het apparaat nooit zonder toezicht aan staan. U bespaart hierdoor energie en verlengt tevens de levensduur van het apparaat.
- ◆ Onjuist gebruik of een gebruik dat niet overeenstemt met de gebruiksaanwijzing kan gevaar inhouden en doet de garantie en de aansprakelijkheid van de fabrikant teniet.
- ◆ Verwijder het waterreservoir en giet het leeg alvorens het apparaat te verplaatsen. Gemorst water kan de onderdelen in het inwendige van het apparaat beschadigen.
- ◆ Gebruik de handgrepen en de wielen om het apparaat met gemak te verplaatsen en eventueel letsel te voorkomen.
- ◆ *(Alleen voor het model BXDH20E). Voor een correcte werking van het luchtzuiveringssysteem moet het HEPA filter ongeveer elke 2000 gebruiksuren vervangen worden. Neem contact op met de technische dienst om nieuwe filters aan te schaffen.

Service

- ◆ Zorg ervoor dat de service is gerepareerd alleen door gespecialiseerd personeel en alleen reserveonderdelen of accessoires worden gebruikt originelen om de onderdelen / accessoires te vervangen bestaande.
- ◆ Elk misbruik of onenigheid met de gebruiksaanwijzing, kan gevaarlijk zijn, het annuleren van de garantie en verantwoordelijkheid van de Fabricant.

BESCHRIJVING

- A Handvat voor transport
- B Bedieningspaneel
- C Voorpaneel
- D Achterpaneel
- E Deksel waterreservoir
- F Handgreep van het waterreservoir*
- G Waterreservoir
- H Wielen
- I Filterhouder
- J Waterafvoer

- K Kolom voor kabelopslag
- L HEPA 13 filter*
- M Slang waterafvoer

(* Enkel verkrijgbaar op het model Tropicano 3.5 Oscillating (FH24002)

Mocht het model van uw apparaat niet beschikken over de hierboven beschreven accessoires dan zijn deze ook apart verkrijgbaar bij de Technische Service.

Bedieningspaneel

- 1 Timer
- 2 Inwendig drogen
- 3 Luchtsnelheid
- 4 Reservoir vol
- 5 LED scherm
- 6 Beheersing luchtvochtigheid
- 7 Functie / Kleding drogen
- 8 ON/OFF

Installatie

- ◆ Controleer dat al het verpakkingsmateriaal uit het inwendige van het apparaat verwijderd is.
- ◆ *(Alleen voor het model BXDH20E). Verwijder de filterhouder. Haal het HEPA filter uit de plastic zak en plaats het in de ervoor bestemde ruimte. Plaats de filterhouder met het filter weer terug. Controleer dat hij correct verankerd is.
- ◆ Plaats kussentjes, rubberen strips of soortgelijk materiaal onder de luchtontvochtiger om trillingen en lawaai te verminderen en mogelijke schade aan vloerbekleding en houten vloeren te voorkomen.

Montage van de luchtafvoer

- ◆ Rek de buis uit en schroef het uiteinde op de luchtuitlaat (linksom draaien).
- ◆ Let op: De afvoerbuis is 40 cm~160 cm lang (met inbegrip van de adapter).
- ◆ De lengte van de afvoerbuis hangt af van de technische specificaties van het apparaat. Gebruik geen afvoerbuis met een andere afmeting of gemaakt van andere materialen, aangezien daardoor storingen kunnen optreden.
- ◆ Installatie van de raamkit (Fig 3)
- ◆ Open het raam gedeeltelijk en bevestig de raamkit aan het raam.
- ◆ De raamkit is geschikt voor de meeste gewone verticale ramen en is verstelbaar.
- ◆ Bevestig het andere uiteinde van de afvoerbuis voor warme lucht aan de luchtuitgang van de raamkit.

GEBRUIKSAANWIJZING

Opmerkingen voorafgaand aan het gebruik:

- ◆ Controleer dat al het verpakkingsmateriaal van het product verwijderd is.
- ◆ Enkele delen van het apparaat zijn licht gesmeerd, waardoor het apparaat bij het eerste gebruik enigszins kan roken. Na korte tijd stopt dit vanzelf.
- ◆ Zet het apparaat bij het eerste gebruik ongeveer 2 uur op de hoogste stand, het liefst in een goed geventileerde ruimte, om de fabrieksgeur te verwijderen.

Gebruik:

- ◆ Wikkel de kabel geheel af alvorens het apparaat op het lichtnet aan te sluiten.
- ◆ Steek de stekker in het stopcontact.
- ◆ Zet het apparaat aan met de aan/uit knop (8).
- ◆ Selecteer de gewenste functie

FUNCTIE:

- ◆ Druk op de functieknop (7) om de automatische stand of de stand voor het drogen van kleding te selecteren
- ◆ In de automatische stand zal het apparaat werken totdat de ingestelde vochtigheidsgraad bereikt is. Standaard is deze vochtigheidsgraad 50%. Raadpleeg voor meer informatie het onderdeel REGELING LUCHTVOCHTIGHEID.
- ◆ In de stand voor het drogen van kleding wordt de droogtijd verkort door de luchtvochtigheid te verlagen. Raadpleeg voor meer informatie het onderdeel KLEDING DROGEN.
- ◆ Het bovenste controlelampje geeft aan welke stand geselecteerd is.

TIMERFUNCTIE:

- ◆ Druk op de knop van de timer (1) om deze functie te activeren.
- ◆ Het LED scherm toont de geselecteerde tijd.
- ◆ Stel de tijd in door zo vaak als nodig op de knop te drukken (1-24 h). Bij elke druk op de knop wordt een uur toegevoegd.

- ◆ Stop wanneer de gewenste tijd bereikt is. Na 5 seconden wordt de geselecteerde tijd bevestigd.
- ◆ Het bovenste controlelampje licht op.
- ◆ Druk na bevestiging van de tijd tweemaal op de knop om de instelling van de timer te annuleren.

HET INWENDIGE DROGEN:

- ◆ Druk op de knop voor het drogen van het inwendige (2).
- ◆ Het bovenste controlelampje licht op.
- ◆ In deze stand wordt het inwendige van het apparaat gedroogd om de vorming van schimmel te voorkomen. Deze procedure duurt ongeveer 1 uur.
- ◆ De luchtontvochtiger blaast continu lucht op hoge snelheid, gedurende 30 minuten. Vervolgens zal hij op lage snelheid werken gedurende nog eens 20 minuten.
- ◆ Druk nogmaals op deze knop om deze functie te deactiveren.
- ◆ Activeer deze functie voordat u de luchtontvochtiger opslaat om de vorming van schimmel in het inwendige te voorkomen.

REGELING LUCHTVOCHTIGHEID:

- ◆ Deze functie is alleen beschikbaar in de automatische stand.
- ◆ Druk op de knop voor de regeling van de luchtvochtigheid (6).
- ◆ Er wordt een percentuele luchtvochtigheid getoond. Bij elke druk op de knop neemt de percentuele luchtvochtigheid toe met 5% tot een maximum van 80%, en keert daarna weer terug naar 30%.
- ◆ Stop wanneer het gewenste percentage bereikt is. Het apparaat werkt totdat de luchtvochtigheid van de kamer 5% onder de ingestelde luchtvochtigheid is gedaald. Daarna stopt de compressor, maar de ventilator blijft draaien op de ingestelde snelheid.
- ◆ Het LED scherm toont de geselecteerde tijd.

KLEDING DROGEN:

- ◆ Druk op de functieknop (7) om deze stand te kiezen. Het bovenste controlelampje geeft aan welke stand geselecteerd is.
- ◆ In deze stand wordt de compressor geactiveerd ongeacht de luchtvochtigheid van de kamer. Hierdoor zal kleding sneller drogen.
- ◆ Annuleer deze functie door nogmaals op de knop te drukken; het apparaat gaat vervolgens in de automatische stand.

VENTILATORSNELHEID:

- ◆ Druk op de ventilatorknop (3) om de snelheid te kiezen (hoog of laag).
- ◆ Het bovenste controlelampje geeft aan welke snelheid geselecteerd is.

KINDERSLOT *(ALLEEN VOOR HET MODEL BXDH20E):

- ◆ Activeer deze functie door functieknop (7) tenminste gedurende 3 seconden ingedrukt te houden.
- ◆ De knoppen van het bedieningspaneel zijn nu niet bruikbaar.
- ◆ Herhaal deze procedure om het de blokkering van het bedieningspaneel op te heffen.

WATERAFVOER (WATERRESERVOIR)

- ◆ Wanneer het waterreservoir vol is, begint het pictogram voor reservoir vol (4) te knipperen. Het apparaat laat een akoestisch signaal horen.
- ◆ De compressor en de ventilator stoppen.
- ◆ Verwijder vervolgens het waterreservoir. Plaats uw handen in de uitsparingen van het reservoir en verwijder het voorzichtig.
- ◆ Verwijder het deksel van het waterreservoir* en giet het leeg.
- ◆ Plaats het deksel en het reservoir weer terug op hun plek om de luchtontvochtiger weer op te starten.

WATERAFVOER (CONTINU)

- ◆ Men kan de bijgeleverde slang (binnendiameter Ø 9 mm) aansluiten op de aansluiting

(J) voor continue waterafvoer.

- ◆ Installeer de slang door de kap van de waterafvoer los te draaien en de dop te verwijderen. Sluit de slang aan op de afvoer.
- ◆ Het uiteinde van de slang moet tenminste 10 cm lager zijn dan de afvoer.
- ◆ Het uiteinde van de slang moet niet in het water liggen. Installeer het apparaat op een plek waar continue waterafvoer mogelijk is.
- ◆ De slang moet altijd gestrekt zijn zodat het water makkelijk weg kan vloeien.
- ◆ Raadpleeg de volgende Fig. 1 voor meer informatie over continue waterafvoer.

NA GEBRUIK VAN HET APPARAAT:

- ◆ Zet het apparaat uit door op knop (8) aan / uit te drukken. Koppel het apparaat los van het lichtnet.
- ◆ Berg de kabel op in de kolom voor kabelopslag (K).
- ◆ Reinig het apparaat.

HANDGREPEN EN WIELEN*:

- ◆ Dit apparaat heeft een handvat aan de bovenzijde om het eenvoudig en makkelijk te kunnen transporteren (A).
- ◆ *(alleen voor het model BXDH20E. Dit apparaat heeft 4 wielen (H) om het transport te vereenvoudigen en eventueel letsel te voorkomen.

REINIGING

- ◆ Trek de stekker uit het stopcontact en laat het apparaat afkoelen alvorens het te reinigen.
- ◆ Maak het apparaat schoon met een vochtige doek met een paar druppels afwasmiddel en droog het daarna goed af.
- ◆ Gebruik geen oplosmiddelen of producten met een zure of basische pH zoals bleekwater, noch schuurmiddelen, om het apparaat schoon te maken.
- ◆ Zorg ervoor dat er geen water of andere vloeistof binnendringt via de ventilatie-Openingen, om schade aan de functionele delen in het inwendige van het apparaat te voorkomen.
- ◆ Dompel het apparaat niet onder in water of een andere vloeistof en houd het niet onder de kraan.
- ◆ Indien het apparaat niet goed schoongehouden wordt, kan het oppervlak beschadigd en de levensduur van het apparaat verkort worden, en kan er een gevaarlijke situatie ontstaan.
- ◆ Opmerking: Wanneer u het apparaat laat opwarmen nadat het lange tijd buiten gebruik is geweest of u het alleen als ventilator heeft gebruikt, kan er aanvankelijk enige rook uit het apparaat komen. Dit is niet ernstig en is het gevolg van het verbranden van stof of andere deeltjes op het verwarmingselement. Dit kan voorkomen worden door de binnenkant van het apparaat eerst schoon te maken met een stofzuiger of een perslucht pistool via de gleuven van het apparaat.

Reiniging van de luchtfilter:

- ◆ Reinig de luchtfilters elke 2 weken. Wanneer de luchtfilter met stof verstopt is, zal de efficiëntie achteruitgaan.
- ◆ Was de luchtfilters door ze voorzichtig onder te dompelen in warm water met een neutraal wasmiddel, spoel ze af en laat ze goed opdrogen in de schaduw.
- ◆ Installeer de filters voorzichtig nadat u ze gereinigd heeft.
- ◆ *(Alleen voor het model BXDH20E). Voor een correcte werking van het luchtzuiveringssysteem moet het HEPA filter ongeveer elke 2000 gebruiksuren vervangen worden. Neem contact op met de technische dienst om nieuwe filters aan te schaffen.

STORINGEN EN REPARATIE

- ◆ Raadpleeg de onderstaande tabel bij problemen:

Storing	Reden	Oplossing
Het apparaat werkt niet.	Zit de stekker los?	Steek de stekker in het stopcontact.
	Is het waterreservoir vol of niet correct geplaatst?	Leeg het waterreservoir en zet het weer op zijn plek.
	De omgevingstemperatuur is lager dan 5° of hoger dan 32°.	Dit is normaal. Het apparaat functioneert niet om redenen van veiligheid.
De luchtontvochtiging is niet effectief.	Is de omgevingstemperatuur of de luchtvochtigheid te laag?	In een droge omgeving neemt de effectiviteit van de luchtontvochtiging af.
	Is de luchtafvoer en -aanvoer verstopt?	Verwijder voorwerpen die de luchtafvoer en -aanvoer blokkeren.
Er komt geen lucht uit het apparaat.	Is het luchtfilter verstopt?	Reinig het filter volgens de bovenstaande aanwijzingen.
Het apparaat maakt een abnormaal geluid.	Staat de luchtontvochtiger scheef of staat hij niet stabiel?	Plaats de luchtontvochtiger op een horizontaal vlak
	Is het luchtfilter verstopt?	Reinig het filter volgens de bovenstaande aanwijzingen.
	Er klinkt een geluid als een "zwak gelach"	Dit wordt veroorzaakt door de stromende koelvloeistof en is normaal.
Er lekt water.	De aansluiting van de waterafvoer zit los.	Bevestig de afvoerslang stevig.
	Het waterafvoersysteem is verstopt.	Verwijder obstakels en strek de slang uit.
Er vormt zich rijp.	De temperatuur is te laag en de ontdoofunctie staat in stand-by.	Dit is normaal, de luchtontvochtiger beschikt over een automatische ontdoofunctie.
Wanneer u de oplossing voor uw probleem niet aantreft in deze tabel, kunt u contact opnemen met de technische dienst		



Het apparaat bevat brandbaar koelmiddel

VOOR EU-VERSIES VAN HET PRODUCT EN/OF INDIEN VAN TOEPASSING IN UW LAND:

ECOLOGIE EN HERGEBRUIK VAN HET PRODUCT

- ◆ Het verpakkingsmateriaal van dit apparaat is geschikt voor inzameling, classificatie en hergebruik. U kunt dit materiaal wegwerpen in de openbare afvalcontainers die voor de desbetreffende typen materiaal zijn bestemd.
- ◆ Het product bevat geen materialen die schadelijk zijn voor het milieu.



Dit symbool betekent dat u het product aan het eind van zijn levenscyclus moet afgeven aan een erkende afvalverwerker ten behoeve van de gescheiden verwerking van Afgedankte Elektrische en Elektronische Apparatuur (AEEA).

GARANTIE EN TECHNISCHE ONDERSTEUNING

- ◆ Dit product valt onder de legale garantievoorwaarden zoals bepaald in de actuele wetgeving. Om een beroep te doen op uw rechten of aanspraken kunt u contact opnemen met onze officiële technische service. U kunt de dichtstbijzijnde technische service vinden op de website: <http://www.2helpu.com/> Voor verdere informatie kunt u ook contact met ons opnemen (zie de laatste bladzijde van de gebruiksaanwijzing). U kunt deze gebruiksaanwijzing en eventuele actualiseringen ervan downloaden via <http://www.2helpu.com/>

INSTRUCTIES VOOR DE REPARATIE VAN HUISHOUDAPPARATEN DIE R290 BEVATTEN

ALGEMENE INSTRUCTIES

- ◆ Het werkgebied controleren
- ◆ Vóór aanvang van de werkzaamheden aan systemen die brandbare koelmiddelen bevatten, dienen er veiligheidscontroles uitgevoerd te worden om ervoor te zorgen dat het risico van ontsteking wordt geminimaliseerd. Om het koelsysteem te repareren moet er worden voldaan aan de volgende voorzorgsmaatregelen alvorens werkzaamheden uit te voeren aan het systeem.

Werkprocedure

- ◆ De werkzaamheden moeten worden uitgevoerd volgens een gecontroleerd proces om het risico van de aanwezigheid van een brandbaar gas of brandbare damp tijdens de werkzaamheden, te minimaliseren.

Algemeen werkgebied

- ◆ Al het onderhoudspersoneel en andere personen die werkzaam zijn in de lokale omgeving, zullen instructies ontvangen over de aard van de werkzaamheden die worden uitgevoerd. Vermijd het werken in besloten ruimten. Het gebied rond de werkruimte moet worden afgezet. Zorg ervoor dat de omstandigheden in het gebied veilig zijn door de controle van het brandbare materiaal.

De aanwezigheid van koelmiddel controle- ren

- ◆ Het gebied moet vóór en tijdens de werkzaamheden worden gecontroleerd met een geschikte koelmiddel detector, om ervoor te zorgen dat de technicus op de hoogte is van de mogelijk brandbare atmosferen. Zorg ervoor dat de gebruikte lekbeschermingsapparatuur geschikt is voor gebruik in combinatie met brandbare koelmiddelen, dat wil zeggen, apparatuur tegen het beslaan, met een goede afdichting of intrinsiek veilig.

Aanwezigheid van een brandblusapparaat

- ◆ Als u hete werkzaamheden uitvoert op koelapparatuur of op een bijbehorend onderdeel, moet u de juiste apparatuur bij de hand hebben om brand te kunnen blussen. Zorg voor een poederblusapparaat of een blusapparaat met CO2 in de buurt van het laadgebied.

Zonder ontstekingsbronnen

- ◆ Geen enkele persoon die werkzaamheden uitvoert aan een koelsysteem waarbij er werkzaamheden moeten gebeuren aan leidingen die brandbaar koelmiddel bevatten of hebben bevat, mag een ontstekingsbron gebruiken, want dat kan een brand of een explosie veroorzaken.
- ◆ Alle mogelijke ontstekingsbronnen, met inbegrip van roken, moeten ver genoeg uit de buurt worden gehouden van de plaats van installatie, reparatie, verwijdering en vernietiging, waarbij er mogelijk brandbaar koelmiddel wordt vrijgegeven in de omliggende ruimte. Voordat de werkzaamheden worden uitgevoerd, moet het gebied rond de apparatuur worden gecontroleerd om er zeker van te zijn dat er geen ontvlambare stoffen aanwezig zijn of ontstekingsrisico's bestaan. Borden met "Verboden te roken" dienen worden weergegeven.
- ◆ Geventileerde zone Zorg ervoor dat de ruimte open is of voldoende geventileerd is alvorens het systeem in de ruimte in te voeren of alvorens hete werkzaamheden uit te voeren. Er moet gedurende de periode waarin de werkzaamheden worden verricht, een zekere mate van ventilatie gehanteerd worden. De ventilatie dient eventueel vrijgegeven koelmiddel te dispergeren en bij voorkeur het koelmiddel naar buiten in de atmosfeer te drijven.

Controles van de koelapparatuur

- ◆ Wanneer elektrische componenten worden vervangen, dienen zij geschikt te zijn voor het doel en de juiste specificatie. De richtlijnen van de fabrikant inzake onderhoud en service moeten te allen tijde gevolgd worden. In geval van twijfel neemt u contact op met de technische dienst van de fabrikant. De volgende verificaties moeten gebeuren voor installaties die brandbare koelmiddelen bevatten: de grootte van de lading komt overeen met de grootte van de ruimte waarin de koelmiddel bevattende apparaten worden opgesteld; de ventilatiemachines en de uitgangen werken goed en zijn niet verstopt; als er een indirect koelcircuit wordt gebruikt, verifieert u de aanwezigheid van

koelmiddel in het secundaire circuit; de markering op de installatie blijft zichtbaar en leesbaar. Markeringen en tekens die onleesbaar zijn, moeten worden gecorrigeerd; koelingsleidingen of -componenten zijn geïnstalleerd in een positie waarin ze waarschijnlijk niet worden blootgesteld aan een stof die de koelmiddel bevattende component kan aantasten, tenzij de componenten gemaakt zijn van materialen die inherent corrosiebestendig zijn of de componenten voldoende tegen corrosie worden beschermd.

REPARATIE VAN INTRINSIEK VEILIGE

- ◆ De reparatieonderhoudswerkzaamheden van en aan elektrische componenten moeten eerste beveiligingscontroles en procedures van keuring van de componenten, bevatten. Als er een defect bestaat dat de veiligheid in gedrang kan brengen, mag er geen enkele elektriciteitsvoorziening op het circuit worden aangesloten, totdat het defect naar tevredenheid opgelost is. Als het defect niet onmiddellijk kan worden gecorrigeerd, maar de werking moet worden voortgezet, moet er een gepaste tijdelijke oplossing worden gebruikt. Dat wordt doorgegeven aan de eigenaar van de apparatuur, zodat alle partijen op de hoogte worden gesteld.
- ◆ De eerste veiligheidscontroles moeten het volgende omvatten: nakijken of de condensatoren ontladen zijn: dat moet gebeuren op een veilige manier om eventuele vonken te voorkomen; nakijken of er geen blootgestelde kabels of actieve elektrische componenten zijn tijdens het laden, het terugwinnen of het ontluchten van het systeem; nakijken of er continuïteit van aarding bestaat.

REPARATIE VAN AFGEDICHTE ONDERDE-LEN

- ◆ Tijdens de reparatie van de afgedichte onderdelen moeten alle elektrische stroomvoorzieningen worden losgekoppeld van de apparatuur waarop men aan het werken is voordat de afgedichte deksels worden verwijderd, etc. Als het absoluut noodzakelijk is dat er een stroomvoorziening op het apparaat aangesloten is tijdens de service, moet er een vorm van permanente lekdetectie worden geplaatst op het meest kritieke punt om te waarschuwen voor een potentieel gevaarlijke situatie.
- ◆ Er moet bijzondere aandacht besteed worden aan de volgende zaken om ervoor te zorgen dat, bij het werken met elektrische onderdelen, de behuizing niet op zo'n manier gewijzigd wordt dat het niveau van bescherming aangetast wordt. Dat geldt voor schade aan kabels, een buitensporig aantal aansluitingen, terminals niet aan de oorspronkelijke specificatie voldoen, schade aan de afdichtingen, onjuiste afstelling van de pakkingbus, etc. Zorg ervoor dat het apparaat stevig en veilig gemonteerd is. Zorg ervoor dat pakkingen of afdichtingsmaterialen niet op zo'n manier aangetast zijn dat ze niet langer dienen om het binnendringen van ontvlambare atmosferen te voorkomen. De reserveonderdelen moeten overeenstemmen met de specificaties van de fabrikant.
- ◆ **OPMERKING** Het gebruik van siliconenkit kan de effectiviteit van sommige soorten lekdetectie-apparatuur verminderen. De intrinsiek veilige componenten hoeven niet te worden geïsoleerd voordat u op hen werkt.

ONDERDELEN

- ◆ Pas geen permanente of inductieve ladingen toe op het circuit zonder er zeker van te zijn dat die de toegestane voltage en stroom van de apparatuur niet overschrijden.
- ◆ Intrinsiek veilige onderdelen zijn de enige types onderdelen waarop u kunt werken in de aanwezigheid van een ontvlambare atmosfeer. Het testapparaat moet beschikken over de juiste kwalificatie. Vervang de onderdelen uitsluitend door onderdelen opgegeven door de fabrikant. Andere delen kunnen de ontsteking van het koelmiddel in de atmosfeer door een lek veroorzaken.

BEDRADING

- ◆ Controleer of de bedrading geen tekenen vertoont van slijtage, corrosie, overmatige druk, trillingen, scherpe randen of alle andere nadelige omgevingseffecten. De controle dient ook rekening te houden met de effecten van veroudering of de continue trilling van bronnen zoals compressoren of ventilators.

DETECTIE VAN BRANDBARE KOELMIDDE-LEN.

- ◆ U mag in geen enkel geval mogelijke ontstekingsbronnen gebruiken bij de zoektocht naar of de detectie van lekkages van koelmiddel. Gebruik nooit een lamp met halogenide (of eender welke andere detector die een naakte vlam gebruikt).

LEKDETECTIEMETHODEN

- ◆ De volgende methoden van lekdetectie worden als aanvaardbaar beschouwd voor systemen die brandbare koelmiddelen bevatten. Er moeten elektronische lekdetectors worden gebruikt voor het detecteren van brandbare koelmiddelen, maar de gevoeligheid is mogelijk niet geschikt of dient opnieuw gekalibreerd te worden. (de detectie-apparatuur moet worden gekalibreerd in een ruimte zonder koelmiddel). Zorg ervoor dat de detector geen potentiële ontstekingsbron is en geschikt is voor het gebruikte koelmiddel. Lekdetectie-apparatuur moet worden aangepast aan een percentage van LFL van het koelmiddel en moet worden gekalibreerd met het gebruikte koelmiddel en het correcte gaspercentage (maximaal 25%) moet worden bevestigd. Lekdetectievloeistoffen zijn geschikt voor gebruik met de meeste koelmiddelen, maar

vermijd het gebruik van reinigingsmiddelen die chloor bevatten, aangezien chloor met het koelmiddel kan reageren en corrosie van de koperen leidingen kan veroorzaken. Indien een lek wordt vermoed, moeten alle open vlammen geëlimineerd/gedoofd worden. Als er een lek van koelvloeistof gevonden wordt waarvoor hardsolderen vereist is, moet alle koelvloeistof uit het systeem worden gehaald of moet alle koelvloeistof worden geïsoleerd (door middel van afsluitventielen) in een deel van het systeem ver verwijderd van de lekkage. Zuurstofvrije stikstof (OFN) moet uit het systeem worden verwijderd vóór en tijdens het proces van hardsolderen.

VERWIJDERING EN ELIMINATIE

- ◆ Wanneer het koelcircuit wordt onderbroken voor reparatie of voor enig ander doel, moeten er traditionele werkwijzen gehanteerd worden. Het is echter van belang dat de beste praktijken worden gevolgd, aangezien er rekening moet worden gehouden met de ontvlambaarheid. De volgende werkwijze moet gerespecteerd worden: verwijder het koelmiddel; ontluicht het circuit met inert gas; evacueer; ontluicht opnieuw met inert gas; open het circuit door het te snijden of te solderen. Het koelmiddel wordt in de juiste opvangcilinders opgevangen. Het systeem wordt "ontluicht" met OFN om ervoor te zorgen dat het toestel veilig is. Het kan nodig zijn dat dat proces meerdere keren herhaald wordt. Voor deze taak mag er geen perslucht of zuurstof gebruikt worden. De spoeling moet gebeuren door het vacuüm in het systeem met OFN te verbreken en u moet het blijven vullen totdat de werkdruk bereikt wordt, vervolgens wordt het naar de atmosfeer afgevoerd en uiteindelijk wordt het vacuüm verminderd. Dit proces dient herhaald te worden totdat er geen koelmiddel meer in het systeem aanwezig is.
- ◆ Wanneer de laatste lading OFN gebruikt wordt, moet het systeem zich afvoeren ontladen tot atmosferische druk opdat de werken kunnen worden uitgevoerd. Deze handeling is absoluut noodzakelijk als er werkzaamheden van hardsolderen op de leidingen zullen worden uitgevoerd. Zorg ervoor dat de uitgang van de vacuümpomp niet in de buurt ligt van eender welke ontstekingsbron en dat er voldoende ventilatie beschikbaar is.

PROCEDURES VOOR HET LADEN

- ◆ Naast de gebruikelijke laadprocedures dient u aan de volgende vereisten te voldoen.
- ◆ Zorg ervoor dat er geen besmetting bestaat van verschillende koelmiddelen bij het gebruik van de laadapparatuur. De slangen of leidingen moeten zo kort mogelijk zijn om de hoeveelheid koelmiddel dat ze bevatten, te minimaliseren. De cilinders moeten in verticale positie worden gehouden.
- ◆ Zorg ervoor dat het koelsysteem geaard is voordat u het systeem vult met koelmiddel.
- ◆ Etiketteer het systeem wanneer het laden voltooid is (als het systeem al niet geëtiketteerd is).
- ◆ Wees uiterst voorzichtig en zorg ervoor dat het koelsysteem niet te vol geraakt.
- ◆ Voordat het systeem geladen wordt, wordt het systeem onderworpen aan een druktest met OFN. Het systeem wordt op lekken getest nadat het laadproces voltooid is en voordat het systeem in werking wordt gesteld. Er moet een tweede lektest bij wijze van opvolging uitgevoerd worden voordat u de werkplaats verlaat.

ONTMANTELING

- ◆ Voordat u deze procedure uitvoert, is het van essentieel belang dat de technicus zeer goed vertrouwd is met de apparatuur en alle details ervan. Het wordt aangeraden om als goede praktijk alle koelmiddelen veilig op te vangen. Vóór het uitvoeren van de taak moet er een monster van olie en koelvloeistof worden genomen in het geval dat er een onderzoek nodig is voordat het voortgebrachte koelmiddel opnieuw gebruikt wordt. Het is van essentieel belang dat de elektrische stroom beschikbaar is voordat u met de taak begint.
- ◆ a) Geraak vertrouwd met de apparatuur en de werking ervan.
- ◆ b) Voer een elektrische isolatie van het systeem uit.
- ◆ c) Voordat u de procedure uitprobeert, dient u na te kijken: of de apparatuur voor de mechanische hantering beschikbaar is, indien nodig, voor de hantering van koelmiddelcilinders; of alle persoonlijke beschermingsmiddelen beschikbaar zijn en correct gebruikt worden; of het opvangproces te allen tijde door een bevoegd persoon wordt gemonitord; of de opvangapparatuur en opvangcilinders voldoen aan de juiste normen.
- ◆ d) Pomp het koelmiddelsysteem indien mogelijk leeg.
- ◆ e) Indien het systeem niet volledig kan worden leeggepompt, zorgt u voor een collector zodat het koelmiddel uit verschillende delen van het systeem worden geëxtraheerd.
- ◆ f) Zorg ervoor dat de cilinder zich op de schaal bevindt voordat het opvangen plaatsvindt.
- ◆ g) Start de opvangmachine en bedien die volgens de instructies van de fabrikant.
- ◆ h) Vul de cilinders niet te vol. (niet meer dan 80% van de vloeibare volumelading).
- ◆ i) Overschrijd de maximale werkdruk van de cilinder niet, zelfs als het maar tijdelijk is.
- ◆ j) Wanneer de cilinders correct gevuld werden en het proces voltooid is, zorgt u ervoor dat de cilinders en de apparatuur onmiddellijk van de werkplaats verwijderd worden en dat alle afsluitventielen van de apparatuur gesloten zijn.
- ◆ k) Het opgevangen koelmiddel mag niet in een andere koelsysteem worden gebruikt tenzij het schoongemaakt en nagekeken werd.

ETIKETTERING

- ◆ Er moeten op het apparaat etiketten worden aangebracht om aan te geven dat het apparaat gedeactiveerd werd en dat het geen koelmiddel meer bevat. Het etiket moeten worden gedateerd en ondertekend.
- ◆ Zorg ervoor dat er etiketten op het apparaat aanwezig zijn die aangeven dat het apparaat brandbare koelmiddel bevat.

OPVANG

- ◆ Wanneer er koelmiddel uit een systeem wordt gehaald, voor onderhoud of sluiting van het systeem, wordt een goede praktijk aanbevolen om ervoor te zorgen dat alle koelmiddelen op een veilige manier verwijderd zijn. Zorg er bij het overbrengen van koelmiddel naar de cilinders voor dat enkel de juiste cilinders voor opvang van koelmiddel worden gebruikt. Zorg ervoor dat het juiste aantal cilinders beschikbaar is voor het behoud van de totale lading van het systeem. Alle cilinders die gebruikt worden, zijn ontworpen voor het opvangen van koelmiddel en zijn geëtiketteerd voor dat specifieke koelmiddel (d.w.z. speciale cilinders voor de opvang van koelmiddel). De cilinders moeten volledig uitgerust zijn met overdrukventielen en bijbehorende afsluitventielen die zich in een goede staat van werking bevinden. De lege opvangcilinders worden verwijderd en indien mogelijk afgekoeld voordat de opvang van het koelmiddel plaatsvindt.
- ◆ De opvangapparatuur moet zich in een goede staat bevinden met een reeks instructies over de apparatuur die u bij de hand heeft en moet geschikt zijn voor de opvang van brandbare koelmiddelen. Bovendien moeten er een reeks gekalibreerde weegschalen beschikbaar zijn en in goede staat zijn. De slangen moeten compleet zijn met afsluitingskoppelingen vrij van lekken en in goede staat. Voordat u de opvangapparatuur gebruikt, dient u na te kijken of die zich in een goede staat van werking bevindt, of die correct onderhouden werd en of alle bijbehorende elektrische componenten afgedicht zijn om ontsteking te voorkomen indien er koelmiddel zou vrijkomen. Indien u twijfels heeft, dient u de fabrikant te raadplegen.
- ◆ Het opgevangen koelmiddel wordt teruggegeven aan de leverancier van het koelmiddel in de juiste opvangcilinder en u dient het bijbehorende formulier voor overdracht van resten ook te overhandigen. Meng geen koelmiddelen in opvangenheden en zeker niet in cilinders.
- ◆ Als er compressoren of compressoroliën moeten worden verwijderd, kijk dan na of die gelegeerd werden tot op een aanvaardbaar niveau om er zeker van te zijn dat er geen brandbaar koelmiddel meer aanwezig is in het smeermiddel. Het evacuatieproces moet plaatsvinden voordat de compressoren teruggegeven worden aan de leveranciers. Om dat proces te versnellen, mag er enkel elektrische verwarming gebruikt worden in het lichaam van de compressor. Wanneer er olie uit een systeem wordt verwijderd, moet dat veilig gebeuren.

Bekwaamheid van het dienstpersoneel

Algemeen

- ◆ Er is speciale opleiding vereist aanvullend op de gebruikelijke procedures van reparatie van een koelinstallatie, wanneer de apparatuur met brandbare koelmiddelen aangetast is.
- ◆ In veel landen wordt deze opleiding gegeven door nationale opleidingsorganisaties die geaccrediteerd zijn voor opleiding over de relevante nationale competentieregels die in de wetgeving worden vastgelegd.
- ◆ De behaalde competentie moet worden gedocumenteerd door een certificaat.
- ◆ Opleiding
- ◆ De opleiding moet de volgende inhoud hebben:
 - ◆ Informatie over de potentiële explosie van brandbare koelmiddelen om aan te tonen dat brandbare producten gevaarlijk kunnen zijn als er niet zorgvuldig en voorzichtig mee wordt omgegaan.
 - ◆ Informatie over mogelijke ontstekingsbronnen, met name ontstekingsbronnen die niet voor de hand liggend zijn, zoals aanstekers, lichtschakelaars, stofzuigers, elektrische vuurtjes.
 - ◆ Informatie over de verschillende veiligheidsconcepten:
 - ◆ Niet-geventileerd (zie clausule GG.2) De veiligheid van het apparaat hangt niet af van de ventilatie van de behuizing. De loskoppeling van het apparaat of de opening van de behuizing heeft geen significante invloed op de veiligheid van het apparaat. Het is echter mogelijk dat er koelmiddel wordt opgestapeld met lekken in de behuizing en dat er een ontvlambare atmosfeer ontstaat wanneer de behuizing geopend wordt.
 - ◆ Geventileerde ruimte (zie clausule GG.2) De veiligheid van het apparaat hangt af van de ventilatie van de behuizing. De loskoppeling van het apparaat of de opening van de behuizing heeft een significante invloed op de veiligheid van het apparaat. Ga voorzichtig te werk en zorg vooraf voor voldoende ventilatie.
 - ◆ Geventileerde ruimte (zie clausule GG.2) De veiligheid van het apparaat hangt af van de ventilatie van de ruimte. De loskoppeling van het apparaat of de opening van de behuizing heeft geen significante invloed op de veiligheid van het apparaat. De ventilatie van de ruimte mag niet worden losgekoppeld tijdens reparatieprocedures.
- ◆ Informatie over het concept van afgedichte componenten en behuizingen volgens IEC

60079-15: 2010.

- ◆ Informatie over de juiste werkwijze:

Ingebruikname

- ◆ Zorg ervoor dat het vloeroppervlak stevig en groot genoeg is voor de belasting van de koelbak en dat de ventilatieleidingen correct gemonteerd zijn.
- ◆ Sluit de leidingen aan en voer een lektest uit voordat u het koelmiddel laadt.
- ◆ Controleer de veiligheidsvoorzieningen voordat u het apparaat in gebruik neemt.

Onderhoud

- ◆ De draagbare apparatuur moet worden gerepareerd in het buitenland of in een werkplaats speciaal ingericht voor de reparatie van units met brandbare koelmiddelen.
- ◆ Zorg voor voldoende ventilatie van de ruimte waarin de reparatie plaatsvindt.
- ◆ Hou er rekening mee dat de slechte werking van de apparatuur kan worden veroorzaakt door het verlies van koelvloeistof en dat er een koelmiddellek aanwezig kan zijn.
- ◆ Ontlaad de condensatoren op zo'n manier dat er geen vonken ontstaan. De standaardprocedure voor kortsluiting van de condensatorterminals creëert over het algemeen vonken.
- ◆ Monteer nauwkeurig de afgedichte kasten opnieuw. Indien de afdichtingen versleten zijn, vervangt u ze.
- ◆ Controleer de veiligheidsvoorzieningen voordat u het apparaat in gebruik neemt.

Reparatie

- ◆ De draagbare apparatuur moet worden gerepareerd in het buitenland of in een werkplaats speciaal ingericht voor de reparatie van units met brandbare koelmiddelen.
- ◆ Zorg voor voldoende ventilatie van de ruimte waarin de reparatie plaatsvindt.
- ◆ Hou er rekening mee dat de slechte werking van de apparatuur kan worden veroorzaakt door het verlies van koelvloeistof en dat er een koelmiddellek aanwezig kan zijn.
- ◆ Ontlaad de condensatoren op zo'n manier dat er geen vonken ontstaan.
- ◆ Wanneer hardsolderen vereist is, moeten de volgende procedures worden uitgevoerd in de juiste volgorde:
 - ◆ Verwijder het koelmiddel. Indien de nationale regelgeving niet vereist dat het koelmiddel wordt teruggewonnen, voert u het koelmiddel af naar buiten. Zorg ervoor dat het afgevoerde koelmiddel geen enkel gevaar veroorzaakt. Bij twijfel moet een persoon de uitgang bewaken. Wees extra voorzichtig dat de afgevoerde koelvloeistof niet terug in het gebouw stroomt.
 - ◆ Maak het koelcircuit volledig leeg.
 - ◆ Dreneer het koelmiddelcircuit met stikstof gedurende 5 minuten.
 - ◆ Maak het koelcircuit opnieuw volledig leeg. Verwijder de onderdelen die worden vervangen door ze te snijden, zonder daarbij vlammen te gebruiken.
 - ◆ Dreneer het laspunt met stikstof gedurende het hardsoldeerproces.
 - ◆ Voer een lektest uit voordat u koelmiddel laadt.
 - ◆ Monteer nauwkeurig de afgedichte kasten opnieuw. Indien de afdichtingen versleten zijn, vervangt u ze.
 - ◆ Controleer de veiligheidsvoorzieningen voordat u het apparaat in gebruik neemt.

Ontmanteling

- ◆ Als de veiligheid in gedrang kan komen wanneer de apparatuur buiten dienst wordt gesteld, moet het koelmiddel worden verwijderd voordat de buitengebruikstelling plaatsvindt.
- ◆ Zorg voor voldoende ventilatie in de ruimte van de apparatuur.
- ◆ Hou er rekening mee dat de slechte werking van de apparatuur kan worden veroorzaakt door het verlies van koelvloeistof en dat er een koelmiddellek aanwezig kan zijn.
- ◆ Ontlaad de condensatoren op zo'n manier dat er geen vonken ontstaan.
- ◆ Verwijder het koelmiddel. Indien de nationale regelgeving niet vereist dat het koelmiddel wordt teruggewonnen, voert u het koelmiddel af naar buiten. Zorg ervoor dat het afgevoerde koelmiddel geen enkel gevaar veroorzaakt. Bij twijfel moet een persoon de uitgang bewaken. Wees extra voorzichtig dat de afgevoerde koelvloeistof niet terug in het gebouw stroomt.
- ◆ Maak het koelcircuit volledig leeg.
- ◆ Dreneer het koelmiddelcircuit met stikstof gedurende 5 minuten.
- ◆ Maak het koelcircuit opnieuw volledig leeg.
- ◆ Vul met stikstof tot aan de atmosferische druk.
- ◆ Plaats een etiket op de apparatuur om aan te geven dat het koelmiddel werd verwijderd.

Verwijdering

- ◆ Zorg voor voldoende ventilatie op de werkplek.
- ◆ Verwijder het koelmiddel. Indien de nationale regelgeving niet vereist dat het koelmi-

ddel wordt teruggewonnen, voert u het koelmiddel af naar buiten. Zorg ervoor dat het afgevoerde koelmiddel geen enkel gevaar veroorzaakt. Bij twijfel moet een persoon de uitgang bewaken. Wees extra voorzichtig dat de afgevoerde koelvloeistof niet terug in het gebouw stroomt.

- ◆ Maak het koelcircuit volledig leeg.
- ◆ Draineer het koelmiddelcircuit met stikstof gedurende 5 minuten.
- ◆ Maak het koelcircuit opnieuw volledig leeg.
- ◆ Snijd de compressor af en haal alle olie eruit.

Transport, markering en opslag van units die brandbare koelmiddelen gebruiken

- ◆ Vervoer van installaties die brandbare koelmiddelen bevatten
- ◆ Opgelet: er bestaan mogelijk extra regels voor het vervoer van apparaten die brandbare gassen bevatten. Het maximale aantal apparaten of de configuratie van de apparatuur, toegestaan om samen te vervoeren, wordt bepaald door de van toepassing zijnde vervoersvoorschriften.

Markering van apparatuur met tekens

- ◆ De waarschuwingen van vergelijkbare elektrische hui- shoudapparaten die in een bepaald werkgebied gebruikt worden, worden over het algemeen geregeld door lokale regelgeving en de minimale vereisten voor de bepaling van veiligheidssignalering en/of gezondheidssignalering voor een werkplek.
- ◆ Alle vereiste borden moeten worden weergegeven en werkgevers moeten ervoor zorgen dat werknemers een passende en adequate opleiding en training krijgen over de betekenis van de veiligheidssignalen en over de acties die moeten worden genomen in verband met deze signalen.
- ◆ De effectiviteit van de tekens mag niet worden vermindert door een teveel aan tekens die samen worden weergegeven.
- ◆ Elk gebruikt pictogram moet zo eenvoudig mogelijk zijn en moet enkel essentiële details bevatten.

Verwijdering van installaties die brandbare koelmiddelen gebruiken

- ◆ Zie nationale voorschriften.

Opslag van apparatuur / elektrische hui- shoudapparaten

- ◆ De opslag van de apparatuur moet overeenkomstig de instructies van de fabrikant gebeuren.
- ◆ Opslag van verpakte (onverkochte) apparatuur.
- ◆ De bescherming van de verpakking moet op zo'n manier worden gebouwd dat een mechanische beschadiging van de apparatuur in de verpakking geen lekkage van het koelmiddel kan veroorzaken.
- ◆ Het maximum aantal toegestane apparaten dat samen mag worden opgeslagen wordt bepaald door lokale regelgeving.

Dit apparaat voldoet aan de laagspanningsrichtlijn 2014/35/EU, de richtlijn 2014/30/EU met betrekking tot elektromagnetische compatibiliteit, de richtlijn 2011/65/EU met betrekking tot beperkingen in de toepassing van bepaalde gevaarlijke stoffen in elektrische en elektronische apparaten en de richtlijn 2009/125/EC met betrekking tot de eisen inzake het ecologisch ontwerp van energierelevante producten.

OSUSZACZ POWIETRZA BXDH12E BXDH20E

Szanowny Kliencie,

Serdecznie dziękujemy za zdecydowanie się na zakup sprzętu gospodarstwa domowego marki BLACK+DECKER. Jego technologia, forma i funkcjonalność, jak również fakt, że spełnia on wszelkie normy jakości, dostarczy Państwu pełnej satysfakcji przez długi czas.



Przed instalacją i użyciem osuszacz powietrza przenośnego zapoznać się z Instrukcją obsługi. Przechowywać tę instrukcję obsługi jaką ewentualną gwarancję produktu i jako odniesienie w przyszłości.

OSTRZEŻENIE

- ◆ Nie używać środków w celu przyspieszenia procesu rozmrożenia lub do czyszczenia, które nie byłyby rekomendowane przez producenta.
- ◆ Urządzenie powinno być przechowywane w pomieszczeniu bez dostępu do stałych źródeł zapłonu (np. otwarty ogień, działające urządzenie na gaz lub działający grzejnik elektryczny).
- ◆ Nie dziurawić ani palić.
- ◆ Należy mieć na uwadze, że zamrażacze mogą być bezbezpieczne.
- ◆ Urządzenie powinno być instalowane, obsługiwane i przechowywane w pomieszczeniu o powierzchni większej niż 4 m².

OSTRZEŻENIE

- ◆ Szczegółowe informacje na temat urządzeń z gazem chłodniczym R290.
- ◆ Przeczytać uważnie wszystkie ostrzeżenia.
- ◆ Podczas rozmrażania i czyszczenia aplikacji nie korzystaj z innych narzędzi niż zalecane przez firmę produkcyjną.
- ◆ Urządzenie należy umieścić w miejscu, w którym nie ma stałych źródeł zapłonu (na przykład: otwarty ogień, działające urządzenie gazowe lub elektryczne).
- ◆ Nie dziurawić i nie palić.
- ◆ To urządzenie zawiera 52 gramów gazu chłodzącego R290.
- ◆ R290 jest to gaz chłodniczy zgodny z europejskimi dyrektywami dotyczącymi środowiska. Nie wolno dziurawić żadnego z elementów obwodu chłodniczego.
- ◆ Jeśli urządzenie jest zainstalowane lub przechowywane na obszarze bez wentylacji, pomieszczenie musi być zaprojektowane tak, aby zapobiegać kumulacji wycieków czynnika chłodniczego, co może powodować powstanie

ryzyka zapłonu lub eksplozji z powodu zapłonu czynnika chłodniczego wywołanego przez grzejniki elektryczne,

- ◆ Urządzenie należy przechowywać w taki sposób, aby zapobiec uszkodzeniom mechanicznym.
- ◆ Osoby, które pracują przy obwodzie chłodniczym muszą posiadać odpowiednie certyfikaty wydane przez autoryzowaną organizację, którą gwarantuje kompetencje dot. Postępowania się czynnikiem chłodzącym zgodnie z konkretną oceną uznaną przez stowarzyszenia branżowe.
- ◆ Napraw należy dokonywać na podstawie rekomendacji producenta.
- ◆ Konserwacja i naprawy wymagające pomocy innych wykwalifikowanych pracowników muszą być wykonywane pod nadzorem osoby wyspecjalizowanej w używaniu łatwopalnych czynników chłodniczych.
- ◆ Porady i ostrzeżenia dotyczące bezpieczeństwa Urządzenie może być używane przez osoby niezapoznane z tego typu produktem, osoby niepełnosprawne lub dzieci od 8 roku życia, tylko i wyłącznie pod kontrolą dorosłych zapoznanym z tego typu sprzętem.
- ◆ To urządzenie nie jest zabawką.
- ◆ Dzieci powinny pozostać pod czujną opieką w celu zagwarantowania iż nie bawią się urządzeniem.
- ◆ Nie pozwalać dzieciom wykonać czyszczenia i konserwacji bez nadzoru.
- ◆ Urządzenie należy zainstalować zgodnie z krajowymi przepisami instalacyjnymi.
- ◆ Pozostawić przestrzeń około 50 cm pomiędzy ścianą lub innymi przeszkodami a urządzeniem. Nie
- ◆ pokrywać ani nie zagradzać boków urządzenia, pozostawić minimalnie przestrzeń 50 cm dookoła urządzenia.
- ◆ Urządzenie wymaga odpowiedniej wentylacji, aby mogło funkcjonować prawidłowo.
- ◆ Jeśli podłączenie do sieci jest uszkodzone, należy je wymienić. Zanieść urządzenie do autoryzowanego centrum serwisowego. Nie próbować rozbierać urządzenia ani go naprawiać, ponieważ może to być niebezpieczne.
- ◆ Urządzenie to zaprojektowane zostało wyłącznie do użytku domowego, a nie do użytku profesjonalnego czy przemysłowego.
- ◆ Przed podłączeniem maszyny do sieci, sprawdzić czy napięcie wskazane na tabliczce znamionowej odpowiada napięciu sieci.
- ◆ Podłączać urządzenie do sieci elektrycznej o sile co najmniej 10 amperów.
- ◆ Wtyczka urządzenia powinna być zgodna z podstawą elektryczną gniazdka. Nigdy nie modyfikować wtyczki. Nie używać przejściówek dla wtyczki.

- ◆ Nie napinać elektrycznego kabla połączeń. Nie używać nigdy kabla elektrycznego do podnoszenia, przenoszenia ani wyłączenia urządzenia.
- ◆ Nie zwiijać kabla elektrycznego podłączenia wokół urządzenia.
- ◆ Sprawdzić, czy kabel elektryczny nie jest przygnieciony lub zgięty.
- ◆ Nie pozwolić, aby kable zasilające pozostawały w zawieszeniu lub miały kontakt z gorącymi powierzchniami urządzenia.
- ◆ Sprawdzać stan elektrycznego kabla połączeń. Uszkodzone czy zaplątane kable zwiększają ryzyko porażenia prądem.
- ◆ Zaleca się stosowanie dodatkowej ochrony instalacji elektrycznej zasilającej urządzenie w postaci urządzenia różnicowoprądowego o maksymalnej czułości 30 mA. Skonsultować się z instalatorem.
- ◆ Nie dotykać wtyczki mokrymi rękoma.
- ◆ Nie używać urządzenia, gdy kabel elektryczny lub wtyczka jest uszkodzona.
- ◆ Jeśli popełni jakiś element obudowy urządzenia, natychmiast wyłączyć urządzenie z prądu, aby uniknąć porażenia prądem.
- ◆ Nie używać urządzenia, jeśli ono upadło czy kiedy występują widoczne oznaki uszkodzenia, albo jeśli istnieją wycieki.
- ◆ Używać urządzenie w strefie z dobrą wentylacją.
- ◆ W przypadku stosowania urządzenia w tym samym pomieszczeniu z innymi urządzeniami na gaz lub paliwo, musi być ono dobrze wentylowane.
- ◆ Nie umieszczać urządzenia w miejscach, gdzie będzie narażony na bezpośrednie działanie światła słonecznego.
- ◆ Umieścić urządzenie na powierzchni płaskiej, stabilnej, z dala od źródeł gorąca i chronić przed ochlapaniem wodą.
- ◆ Nie używać, ani nie przechowywać urządzenia na zewnątrz.
- ◆ Nie wystawiać urządzenia na deszcz ani narażać na warunki wilgotności. Woda, która dostanie się do urządzenia zwiększy ryzyko porażenia prądem.
- ◆ **OSTRZEŻENIE:** Nie używać urządzenia w pobliżu wody.
- ◆ Nie napinać elektrycznego kabla połączeń. Nie używać nigdy kabla elektrycznego do podnoszenia, przenoszenia ani wyłączenia urządzenia. Umieścić urządzenie z dala od źródeł ciepła i ostrych kątów.

Używanie i konserwacja:

- ◆ Przed każdym użyciem, rozwinąć całkowicie kabel zasilania urządzenia.
- ◆ Nie używać urządzenia, jeśli nie działa przycisk włączania ON/OFF. Nie należy demontować nóżek urządzenia. Nie ruszać urządzenia w czasie jego działania.
- ◆ Aby przemieszczać urządzenie, należy używać uchwytów.
- ◆ Nie przekręcać urządzenia, kiedy jest ono w użyciu lub kiedy jest podłączone do sieci.
- ◆ Wyłączać urządzenie z prądu, jeśli nie jest ono używane i przed przystąpieniem do jakiegokolwiek czyszczenia.
- ◆ Przechowywać urządzenie w miejscu niedostępnym dla dzieci i/lub osób o ograniczonych zdolnościach fizycznych, dotykowych lub mentalnych oraz nie posiadających doświadczenia lub znajomości tego typu urządzeń.
- ◆ Nie wystawiać urządzenia na wysokie temperatury. Przechowywać urządzenie w suchym miejscu, gdzie nie ma kurzu, i z dala od światła słonecznego. Nie pozostawiać nigdy urządzenia podłączonego i bez nadzoru. W ten sposób zaoszczędzić ponadto można energię i przedłużyć okres użytkowania urządzenia.
- ◆ Wszelkie niewłaściwe użycie lub niezgodne z instrukcją obsługi może doprowadzić do niebezpieczeństwa, anulując przy tym gwarancję i odpowiedzialność producenta.
- ◆ Wyciągnąć i opróżnić zbiornik na wodę przed przemieszczeniem urządzenia. Rozlana woda mogłaby spowodować uszkodzenie wewnętrznych części urządzenia. Użyć uchwytów i kół, aby łatwo transportować urządzenie i uniknąć możliwych obrażeń
- ◆ *(Tylko dla modelu BXDH20E). Aby zapewnić prawidłowe działanie systemu oczyszczania powietrza, należy wymieniać filtr HEPA około co 2000 godzin użytkowania. W celu zakupu nowych filtrów, należy udać się do autoryzowanego serwisu technicznego.

USŁUGA

- ◆ Upewnij się, że usługa jest naprawioną tylko przez wyspecjalizowany personel i stosowane są tylko części zamienne lub akcesoria oryginalne w celu wymiany części
- ◆ / akcesoriów istniejących.
- ◆ Wszelkie nadużycia lub spory z instrukcją użytkowania mogą być niebezpieczne, anulowanie gwarancji i odpowiedzialności producenta.

OPIS

- A Uchwyt do przenoszenia
- B Panel sterowania
- C Przedni panel
- D Tylny panel
- E Pokrywa zbiornika na wodę*
- F Uchwyt zbiornika na wodę*

- G Zbiornik na wodę
- H Kółka
- I Ramka filtra
- J Wylot drenażu
- K Kolumna do przechowywania kabla
- L Filtr HEPA 13*
- M Wąż odprowadzający

(* Dostępne tylko w przypadku modelu BXDH20E

W przypadku, jeśli model Państwa urządzenia nie posiada opisanych powyżej akcesoriów, te można również nabyć osobno w Autoryzowanym Serwisie Technicznym.

Panel sterowania

- 1 Czasomierz
- 2 Osuszanie wewnętrzne
- 3 Prędkość powietrza
- 4 Pelen zbiornik
- 5 Wyświetlacz LED
- 6 Kontrola wilgotności
- 7 Tryb / suszenie ubrań
- 8 ON/OFF

Instalacja

- ◆ Upewnić się, czy zdjęty został cały materiał opakowania z wnętrza urządzenia.
- ◆ *(Tylko dla modelu BXDH20E). Usunąć ramkę filtra. Wyjąć filtr HEPA z plastikowej torby i umieścić go w miejscu przeznaczonym na filtr. Ponownie założyć ramkę filtra. Sprawdzić, czy zablokowała się w sposób prawidłowy.
- ◆ Aby zredukować wibrację, szum i ewentualne uszkodzenia wykładziny lub drewnianej podłogi, należy podłożyć pod osuszacz powietrza podkładki, paski z gum lub podobne.

SPOSÓB UŻYCIA

Uwagi przed użyciem:

- ◆ Upewnić się, że z opakowania zostały wyjęte wszystkie elementy urządzenia.
- ◆ Niektóre części żelazka zostały delikatnie natłuszczone i dlatego w czasie pierwszego włączenia może wydobywać się z niego para. Po krótkim czasie para powinna zniknąć.
- ◆ Aby pozbyć się zapachu, jaki wydostaje się z urządzenia przy jego pierwszym użyciu, zaleca się włączyć urządzenie na maksymalną moc przez 2 godziny w dobrze wentylowanym pomieszczeniu.

Użycia:

- ◆ Całkowicie rozwinąć kabel przed podłączeniem urządzenia.
- ◆ Podłączyć urządzenie do prądu.
- ◆ Włączyć urządzenie za pomocą przycisku ON/OFF (8).
- ◆ Wybrać żadaną funkcję

TRYB:

- ◆ Nacisnąć przycisk trybu (7), aby wybrać tryb automatyczny lub tryb suszenia ubrań,
- ◆ W trybie automatycznym, urządzenie działa aż do osiągnięcia wybranej procentowej wilgotności. Ustawienie domyślnie wynosi 50 %. W celu uzyskania więcej informacji należy przejść do punktu FUNKCJA USTAWIENIA WILGOTNOŚCI.
- ◆ Funkcja suszenia ubrań pozwala na zredukowanie czasu suszenia po zredukowaniu wilgotności. W celu uzyskania więcej informacji należy przejść do punktu FUNKCJA SUSZENIA UBRAŃ.
- ◆ Górna lampka kontrolna wskazuje wybrany tryb.

FUNKCJA CZASOMIERZA:

- ◆ Nacisnąć przycisk czasomierza (1), aby aktywować tę funkcję.
- ◆ Wyświetlacz LED pokaże wybraną godzinę.
- ◆ Ustawić czas naciskając na przycisk tyle razy ile to będzie potrzebne (1-24 godz.). Każdy naciskięcie dodaje jedną godzinę.
- ◆ Po osiągnięciu pożądanej godziny przestać naciskać na przycisk. Po 5 sekundach, zatwierdzi się ustawiony czas.
- ◆ Zapali się górna lampka kontrolna.
- ◆ Aby skasować konfigurację czasomierza, nacisnąć dwa razy po zatwierdzeniu wybranej godziny.

FUNKCJA SUSZENIE WEWNĘTRZNE:

- ◆ Nacisnąć przycisk suszenia wewnętrznego (2).

- ◆ Zapali się górna lampka kontrolna.
- ◆ Funkcja ta osusza wnętrze urządzenia, aby zapobiec powstawaniu pleśni. Trwa ona około 1 godziny.
- ◆ Osuszacz powietrza uwalnia cały czas strumień powietrza, z dużą prędkością, przez 30 minut. Następnie przechodzi na mniejszą prędkość na kolejne 20 minut.
- ◆ Aby wyłączyć tę funkcję należy ponownie nacisnąć przycisk.
- ◆ Przed przechowaniem osuszacza należy uruchomić tę funkcję, aby zapobiec powstawaniu pleśni w jego wnętrzu.

FUNKCJA USTAWIENIE WILGOTNOŚCI:

- ◆ Ta funkcja jest dostępna tylko w trybie automatycznym.
- ◆ Należy nacisnąć przycisk ustawienia wilgotność (6).
- ◆ W tym momencie pokaże się poziom wilgotności w procentach.
- ◆ Za każdym naciśnięciem przycisku, procent wilgotności wzrośnie o 5 % aż osiągnie poziom maksymalny 80 %, aby później wrócić do 30 %.
- ◆ Po osiągnięciu pożądanego procentu wilgotności przestać naciskać na przycisk. Urządzenie będzie działało do momentu aż wilgotność w pomieszczeniu będzie o 5 % niższa od wybranej, Tak więc, kompresor zatrzyma się, ale wentylator będzie działał z wybraną prędkością.
- ◆ Wyświetlacz LED pokaże wybraną godzinę.

FUNKCJA SUSZENIE UBRAŃ:

- ◆ Nacisnąć przycisk trybu (7), aby wybrać tę funkcji Górna lampka kontrolna pokaże wybrany tryb.
- ◆ Ta funkcja uruchamia kompresor niezależnie od wilgotności w pomieszczeniu. To pozwoli na szybsze wysuszenie ubrań.
- ◆ W celu anulowanie funkcji ponownie nacisnąć przycisk; przejdzie w tryb automatyczny.

PRĘDKOŚĆ WENTYLATORA:

- ◆ Nacisnąć przycisk wentylatora (3), aby wybrać prędkość (większą lub mniejszą)
- ◆ Górna lampka kontrolna pokaże wybraną prędkość.

BLOKADA PRZED DZIEĆMI *(TYLKO DLA MODELU BXDH20E):

- ◆ Aby uruchomić tę funkcję, należy przytrzymać wciśnięty przycisk trybu (7) przez 3 sekundy.
- ◆ Przyciski panelu sterowania będą nieaktywne.
- ◆ Aby odblokować panel, należy powtórzyć sekwencję.

DRENAŻ (ZBIORNIK NA WODĘ):

- ◆ Kiedy zbiornik napelni się, ikona pełnego zbiornika (4) zacznie mrugać. Urządzenie wyemituje ostrzeżenie akustyczne.
- ◆ Kompresor i wentylator przestaną działać.
- ◆ Procedura usunięcia zbiornik na wodę. Umieścić dłoń w miejscach zagłębienia na zbiorniku i wyciągnąć go ostrożnie.
- ◆ Usunąć pokrywę zbiornika na wodę* i opróżnić go.
- ◆ Założyć z powrotem pokrywę i wsunąć zbiornik na swoje miejsce, aby ponownie uruchomić osuszacz powietrza.

DRENAŻ (CIĄGŁY DRENAŻ):

- ◆ Urządzenie oferuje możliwość podłączenia dostawczego węża (Ø wewnętrzny 9 mm) na wylocie odpływu (J), w celu uzyskania ciągłego drenażu.

- ◆ W celu zainstalowania węża zlokalizować wylot odpływu, odkręcić osłonę i wyciągnąć zaślepkę. Podłączyć wąż do wylotu.
- ◆ Dolna końcówka węża musi być przynajmniej 10 cm poniżej wylotu wody.
- ◆ Końcówka węża nie może pozostawać w wodzie. Należy go zainstalować w miejscu, który pozwoli na ciągły drenaż (odpływ) wody.
- ◆ Wąż przez cały czas musi pozostawać rozciągnięty, aby woda mogła prawidłowo odpływać.
- ◆ Aby uzyskać więcej informacji na temat ciągłego drenażu, zapoznaj się z poniższym rysunkiem. Fig. 1

PO ZAKOŃCZENIU KORZYSTANIA Z URZĄDZENIA:

- ◆ Zatrzymać urządzenie, naciskając przycisk (8) włączyć- nie/wyłączenie
- ◆ Odłączyć urządzenie od sieci elektrycznej.
- ◆ Zwinać kabel używając przeznaczonej do tego celu kolumny.
- ◆ Wyczyścić urządzenie.

UCHWYT/Y DO PRZENOSZENIA:

- ◆ Urządzenie dysponuje uchwytem w górnej części, umożliwiającym jego łatwe i wygodne przenoszenie (A).

CZYSZCZENIA

- ◆ Odłączyć urządzenie z sieci i pozostawić aż do ochłodzenia przed przystąpieniem do jakiegokolwiek czyszczenia.
- ◆ Czyścić zespół elektryczny i wtyczkę wilgotną ściereczką i po czym zaraz wysuszyć. **NIE ZANURZAĆ NIGDY W WODZIE ANI W INNEJ CIECZY.**
- ◆ Czyścić urządzenie wilgotną szmatką zwilżoną kilkoma kroplami detergentu.
- ◆ Nie używać do czyszczenia urządzenia rozpuszczalników, ni produktów z czynnikami PH takich jak chlor, ani innych środków żrących.
- ◆ Nie dopuścić do przedostania się wody ani innej cieczy do otworów wentylacyjnych, aby uniknąć uszkodzeń części mechanicznych znajdujących się we wnętrzu urządzenia.
- ◆ Nie zanurzać urządzenia w wodzie ni innej cieczy, nie wkładać pod kran.
- ◆ Jeśli urządzenie nie jest utrzymywane w odpowiednio dobrym stanie czystości, jego powierzchnia może się niszczyć i wpływać w sposób niedający się powstrzymać na okres trwałości urządzenia oraz prowadzić do niebezpiecznych sytuacji.
- ◆ Wyjąć wszystkie części przed ich montażem i przechowywaniem.

Czyszczenie filtra powietrza:

- ◆ Filtry powietrza należy czyścić co 2 tygodnie. Jeśli filtr powietrza jest zablokowany przez kurz, jego efektywność zostanie zredukowana.
- ◆ Filtry powietrza należy zanurzyć ostrożnie w ciepłej wodzie z neutralnym detergentem, wypłukać je odstawić, aby wyschły całkowicie w cieniu.
- ◆ Założyć ostrożnie filtry po ich oczyszczeniu.
- ◆ *(Tylko dla modelu BXDH20E). Aby zapewnić prawidłowe działanie systemu oczyszczania powietrza, należy wymieniać filtr HEPA około co 2000 godzin użytkowania. W celu zakupu nowych filtrów, należy udać się do autoryzowanego serwisu technicznego.

NIEPRAWIDŁOWOŚCI I NAPRAWA

- ◆ W przypadku jakichkolwiek nieprawidłowości należy postępować zgodnie z tą tabelą:

Nieprawidłowości	Przyczyna	Rozwiązanie
Urządzenie nie działa.	Czy jest podłączone do gniazdka?	Włożyć wtyczkę do gniazdka elektrycznego.
	Czy zbiornik na wodę nie jest pełen lub źle założony?	Opróżnić zbiornik na wodę i zmocować go ponownie.
	Temperatura otoczenia jest poniżej 5 °C lub powyżej 32 °C.	Zjawisko normalne. Urządzenie nie działa z powodów bezpieczeństwa.
Osuszanie nie jest skuteczne.	Czy temperatura otoczenia lub wilgotność nie są zbyt niskie?	W suchym otoczeniu zdolność osuszania się zmniejsza.
	Czy wlot y wylot powietrza nie są zablokowane?	Usunąć przedmioty, które blokują wlot i wylot powietrza.
Powietrze nie jest wydalone.	Czy nie jest zablokowany filtra powietrza?	Wyczyścić filtr postępując zgodnie z powyższymi instrukcjami .
Nietypowy hałas podczas funkcjonowania.	Czy osuszacz powietrza nie jest przechylony lub ustawiony na nierównej powierzchni?	Umieścić urządzenie na równej powierzchni.
	Czy nie jest zablokowany filtra powietrza?	Wyczyścić filtr postępując zgodnie z powyższymi instrukcjami .
	Słyszalny jest jakby „cichy śmiech”.	Jest to przepływający czynnik chłodzący; to normalne.
Wyciek wody.	Poluzowały się połączenia drenażu.	Przymocować wąż od drenażu.
	System drenażu jest zablokowany.	Wyeliminować przeszkody i wyprostować wąż.
Pojawił się szron.	Temperatura jest zbyt niska i czeka na tryb odszraniania.	Jest to zjawisko normalne, a osuszacz posiada funkcję automatycznego odszraniania (rozmrzania).

Jeśli nie możemy znaleźć rozwiązania naszego problemu w tabeli, należy skontaktować się z działem pomocy technicznej.



Urządzenie zawiera łatwopalny czynnik chłodzący.

- ◆ Dla urządzeń wyprodukowanych w Unii Eu- ropejskiej i w przypadku wymagań prawnych obowiązujących w danym kraju:

Ekologia i zarządzanie odpadami

- ◆ Materiały, z których wykonane jest opakowanie tego urządzenia, znajdują się w ramach systemu zbierania, klasyfikacji oraz ich odzysku. Jeżeli chcecie Państwo się ich pozbyć, należy umieścić je w kontenerze przeznaczonym do tego typu materiałów.
- ◆ Produkt nie zawiera koncentracji substancji, które mogłyby być uznane za szkodliwe dla środowiska.



Symbol ten oznacza, że jeśli chcecie się Państwo pozbyć tego produktu po zakończeniu okresu jego użytkowania, należy go przekazać przy zastosowaniu określonych środków do autoryzowanego podmiotu zarządzającego odpadami w celu przeprowadzenia selektywnej zbiórki Odpadów Urządzeń Elektrycznych i Elektronicznych (WEEE).

GWARANCJA I SERWIS TECHNICZNY

- ◆ Ten produkt jest uznawany i chroniony prawną gwarancją zgodnie z obowiązującymi przepisami. W celu wyegzekwowania swoich praw lub interesów, należy udać się do dowolnego z naszych oficjalnych usług pomocy technicznej. Najbliższy punkt można znaleźć, korzystając z poniższego linku: <http://www.2helpu.com/> Można również poprosić o informację, kontaktując się z nami (patrz ostatnia strona instrukcji). Można też pobrać niniejszą instrukcję obsługi i jej aktualizacje na <http://www.2helpu.com/>

INSTRUKCJE DOT. NAPRAWY SPR- ZĘTU AGD, KTÓRY ZAWIERA R290 INSTRUKCJE OGÓLNE

Kontrola miejsca

- ◆ Przed rozpoczęciem prac w systemach zawierających łatwopalne czynniki chłodzące, wymagane są kontrole bezpieczeństwa w celu zminimalizowania ryzyka zapłonu - nu W celu naprawy systemu chłodniczego, przed przystąpieniem do pracy należy przestrzegać następujących środków ostrożności.

Procedura pracy

- ◆ Prace będzie realizowana zgodnie z procedurą kontrolną w celu zminimalizowania ryzyka obecności łatwopalnego gazu lub pary podczas przeprowadzanych prac.

Ogólny obszar pracy

- ◆ Cały personel zajmujący się konserwacją oraz inne osoby, które pracowałyby w obs-

zarze otrzyma instrukcję na temat natury pracy, która jest przeprowadzana.

- ◆ Należy unikać pracy w ograniczonej przestrzeni. Obszar wokół miejsca pracy zostanie wydzielony. Upewnić się, że warunki wewnątrz obszaru, będą bezpieczne w wyniku kontroli materiału łatwopalnego.

Sprawdzanie obecności czynnika chłodniczego

- ◆ Obszar powinien zostać sprawdzony za pomocą odpowiedniego detektora czynnika chłodniczego przed i podczas pracy, aby upewnić się, że technik zna potencjalnie łatwopalną atmosferę. Upewnić się, że zastosowany sprzęt ochrony przed wyciekami nadaje się do stosowania z łatwopalnymi czynnikami chłodniczymi, tj. przeciwmgielny, odpowiednio uszczelniony lub iskrobezpieczny.

Obecność gaśnicy

- ◆ Jeśli będzie przeprowadzana praca „na gorąco” w urządzeniu chłodniczym lub na jakimkolwiek powiązanym elemencie, to odpowiedni sprzęt do gaszenia pożaru musi być pod ręką. Należy umieścić gaśnicę suchego proszku lub CO₂ w pobliżu miejsca ładowania.

Brak źródeł zapłonu

- ◆ Żadna osoba wykonująca pracę związaną z układem chłodniczym, które zakładają kontakt z przewodami zawierającymi lub mogącymi zawierać łatwopalny czynnik chłodniczy, nie może używać dowolnego źródła zapłonu w sposób, który może spowodować pożar lub wybuch. Wszystkie możliwe źródła zapłonu, w tym papierosy, muszą znajdować się wystarczająco daleko od miejsca instalacji, naprawy, likwidowania, podczas którego możliwe jest uwolnienie łatwopalnego czynnika chłodniczego do otaczającej przestrzeni. Przed przystąpieniem do pracy należy sprawdzić obszar otaczający urządzenie, aby upewnić się, że nie ma łatwopalnych zagrożeń ani ryzyka zapłonu. Należy rozmieścić plakaty z napisem „Nie palić”.

Obszar wentylowany

- ◆ Przed wejściem do systemu lub rozpoczęciem prac na gorąco należy upewnić się, że obszar jest otwarty albo że jest on odpowiednio wentylowany. Stopień wentylacji będzie kontynuowany w okresie, w którym wykonywana jest praca. Wentylacja musi bezpiecznie rozproszyć uwolniony czynnik chłodniczy, a najlepiej usunąć go na zewnątrz do atmosfery.

Kontrola urządzenia chłodniczego.

- ◆ Kiedy zostaną wymienione elementy elektryczne, muszą być odpowiednie do celu i właściwej specyfikacji. Cały czas należy realizować wskazania dot. konserwacji i serwisu producenta. W przypadku wątpliwości, należy skonsultować się z działem technicznym producenta, w celu uzyskania pomocy. Następujące kontrole zostaną zastosowane w przypadku obiektów, które używają łatwopalnych czynników chłodniczych: wielkość naładowania jest zgodna z wielkością pomieszczenia, w którym zainstalowane są elementy zawierające czynnik chłodniczy; maszyny wentylacyjne i wyjścia działają prawidłowo i nie są zatkane; jeżeli stosowany jest pośredni obwód chłodzący, należy sprawdzić obecność czynnika chłodniczego w obwodzie wtórnym; oznaczenie na urządzeniu pozostaje widoczne i czytelne.

- ◆ Oznaczenia i znaki, które są nieczytelne, muszą zostać poprawione; Rury i elementy chłodnicze są zainstalowane w położeniu, w którym jest mało prawdopodobne, aby były narażone na jakąkolwiek substancję, która może korodować element zawierający czynnik chłodniczy, chyba że komponenty są wykonane z materiałów, które są samoistnie odporne na korozję lub są odpowiednio zabezpieczone przed korozją.

Kontrole urządzeń elektrycznych

- ◆◆ Naprawa i konserwacja komponentów elektrycznych musi obejmować wstępne kontrole bezpieczeństwa i procedury kontroli części. Jeśli istnieje usterka, które mogłoby zagrażać bezpieczeństwu, wtedy nie należy podłączać do obwodu żadnego źródła zasilania dopóki nie zostanie ona rozwiązana w sposób zadowalający. Jeśli usterka nie może być usunięta bezpośrednio, a operacja wymaga dalszych prac, należy dokonać odpowiedniego tymczasowego rozwiązania. Zostanie to zgłoszone właścicielowi sprzętu, aby wszystkie strony zostały powiadomione.
- ◆ Wstępne kontrole bezpieczeństwa muszą obejmować: rozładowanie kondensatorów; należy to zrobić w sposób bezpieczny, aby uniknąć powstania iskier; sprawdzenie, że nie ma działających kabli elektrycznych i komponentów podczas ładowania, odzyskiwania lub przedmuchiwanie systemu; oraz, że nie ma przerw w podłączeniu ziemi.

NAPRAWY USZCZELNIONYCH KOMPONENTÓW

- ◆ Podczas napraw komponentów (podzespołów) uszczelnionych, wszystkie zasilania elektryczne muszą być odłączone od urządzenia przy którym się pracuje, jeszcze przed zdjęciem uszczelnionych pokryw, itp.
- ◆ Jeśli jest absolutnie konieczne zasilanie elektryczne urządzenia podczas pracy, wówczas stały tryb działania wykrywania nieszczelności powinien znajdować się w punkcie najbardziej krytycznym, aby ostrzec o potencjalnie niebezpiecznej sytuacji.
- ◆ Należy zwrócić szczególną uwagę na następujące kwestie, aby zapewnić, że podczas pracy z komponentami elektrycznymi obudowa nie zostanie zmodyfikowana w taki sposób, który może wpłynąć na poziom ochrony. Obejmuje to: uszkodzenia kabli, nadmierną liczbę połączeń, zacisków nie wykonanych zgodnie z oryginalną specyfikacją, uszkodzenia uszczelek, nieprawidłowe ustawienie dławików, itp. Upewnić się, że urządzenie jest bezpiecznie zamontowane. Upewnić się, że uszczelki lub materiały uszczelniające nie uległy degradacji, do takiego stopnia, że nie służyłyby już do zapobiegania wnikaniu łatwopalnych atmosfer. Części zamienne muszą odpowiadać specyfikacją technicznym producenta.
- ◆ UWAGA Zastosowanie silikonowego uszczelnacza może hamować skuteczność niektórych typów urządzeń do wykrywania wycieków. Iskrobezpieczne komponenty nie muszą być izolowane przed rozpoczęciem pracy przy nich.

NAPRAWA KOMPONENTÓW ISKROBEZPIECZNYCH

- ◆ Nie stosować stałego obciążenia indukcyjnego ani pojemnościowego do obwodu, nie upewniając się, że nie przekracza to napięcia i prądu dozwolonego dla urządzenia w trakcie użycia.
- ◆ Komponenty iskrobezpieczne są jedynym typem w których można pracować podczas, gdy się przebywa w obecności atmosfery łatwopalnej. Urządzenie próbne musi posiadać odpowiednią kwalifikację. Wymienić komponenty z tylko na części określone przez producenta. Inne części mogą spowodować zapłon czynnika chłodniczego w atmosferze w wyniku wycieku.

OKABLOWANIE

- ◆ Sprawdzić, czy okablowanie nie jest zużyte, skorodowane, zbyt ściśnięte, poddane wibracją, przechodzi przez ostre kandy lub nie podlega jakimkolwiek innemu zagrożeniu. W trakcie kontroli należy zwrócić uwagę na efekt zatarzenia się lub ciągłej wibracji, takich źródeł jak kompresory i wentylatory.

WYKRYCIE ŁATWOPALNYCH CZYNNIKÓW CHŁODZĄCYCH

- ◆ Pod żadnym pozorem nie można używać potencjalnych źródeł zapłonu (ognia) do poszukiwania lub wykrycia wycieku czynnika chłodniczego. Nie wolno używać palnika halogenków (lub dowolnego innego detektora, który używa nagiego płomienia).

METODY WYKRYWANIA WYCIEKÓW

- ◆ Następujące metody wykrywania wycieków uważane są za akceptowalne dla systemów, które zawierają łatwopalne czynniki chłodzące. Należy używać elektronicznych detektorów wycieków w celu wykrycia łatwopalnych czynników chłodzących, gdyż czułość może nie być odpowiednia lub może wymagać ponownej kalibracji. (Urządzenie do wykrywania powinno być kalibrowane w miejscu, gdzie nie ma czynnika chłodniczego). Upewnić się, że wykrywacz nie jest potencjalnym źródłem zapłonu oraz że jest odpowiedni do używanego czynnika chłodniczego. Urządzenie do wykrywania wycieków należy ustawić na dany procent LFL czynnika chłodniczego i skalibrować z użytym czynnikiem chłodzącym oraz potwierdzić właściwy procent gazu (maksymalnie 25%). Płyny do wykrywania wycieków nadają się do stosowania z większością czynników chłodniczych, ale należy unikać stosowania detergentów zawierających chlor, ponieważ chlor może reagować z czynnikiem chłodniczym i powodować korozję

rur miedzianych. Jeśli istnieje podejrzenie wycieku, wszystkie źródła otwartego ognia muszą być wyeliminowane/ugaszone. Jeśli zostanie stwierdzony wyciek czynnika chłodniczego, który wymaga lutowania, cały czynnik chłodniczy musi zostać ściągnięty z układu lub odizolowany (za pomocą zaworów odcinających) w części systemu, która jest oddalona od wycieku. Beztlenowy azot (OFN) musi być spuszczone przez system przed i podczas procesu twardego lutowania („brazing”).

USUWANIE I EWAKUACJA

- ◆ Kiedy zostanie przerwany obieg czynnika chłodniczego w celu naprawy lub w jakimkolwiek innym celu, należy zastosować konwencjonalne procedury. Ważne jest jednak przestrzeganie najlepszych praktyk albowiem łatwopalność w tym przypadku jest czymś oczywistym. Należy przestrzegać następującej procedury: usunąć czynnik chłodniczy; oczyścić obwód gazem obojętnym; ewakuować, przeczyszczyć ponownie za pomocą gazu obojętnego; otworzyć obwód przez cięcie lub spawanie (lutowanie) Ładunek czynnika chłodniczego zostanie odzyskany do właściwych butli odzyskiwania. System zostanie „wyczyszczony” z OFN (beztlenowy azot), aby zapewnić bezpieczeństwo urządzenia. Ten proces może wymagać wielokrotnego powtórzenia. Do tej czynności nie można używać sprężonego powietrza ani tlenu.
- ◆ Płukanie musi zostać osiągnięte poprzez przelanie próżni w systemie z OFN i kontynuowanie napełniania aż do uzyskania ciśnienia roboczego, następnie zostaje wydalone do atmosfery i ostatecznie zredukowane do próżni. Ten proces należy powtarzać aż do momentu, kiedy nie będzie już czynnika chłodniczego w układzie. Kiedy zostanie dokonane ostatnie doładowanie OFN, system musi zostać rozładowany pod ciśnieniem atmosferycznym, aby umożliwić wykonanie pracy Ta operacja jest absolutnie niezbędna, jeśli będą wykonywane czynności lutowania (spawania) na rurach. Upewnić się, że wyjście z pompy próżniowej nie znajduje się blisko źródła zapłonu i że jest odpowiednia wentylacja.

PROCEDURY NAPEŁNIENIA

- ◆ Oprócz konwencjonalnych procedur napełniania (ładowania) należy przestrzegać następujących wymagań.
- ◆ Upewnić się, że nie ma skażenia różnych czynników chłodniczych podczas korzystania z urządzenia do napełniania. Węże lub przewody powinny być jak najkrótsze, aby zminimalizować ilość czynnika chłodniczego, który zawierają.
- ◆ Butle muszą być utrzymywane w pozycji pionowej.
- ◆ Przed napełnieniem czynnikiem chłodniczym upewnić się, że układ chłodzenia jest podłączony do ziemi.
- ◆ Oznaczyć system, gdy napełnienie jest kompletne (jeśli tak nie jest).
- ◆ Należy zachować szczególną ostrożność, aby nie przepelnić układu chłodzenia.
- ◆ Przed ponownym napełnieniem układ należy poddać próbie ciśnieniowej z OFN. Po zakończeniu napełnienia, ale jeszcze przed uruchomieniem układu należy poddać testowi szczelności. Także przed opuszczeniem miejsca należy przeprowadzić próbę szczelności.

DEMONTAŻ

- ◆ Przed wykonaniem tej procedury ważne jest, aby technik był w pełni zaznajomiony z urządzeniem i wszystkimi jego szczegółami. Zaleca się, jako dobrą praktykę, aby wszystkie czynniki chłodzenia były odzyskiwane w bezpieczny sposób. Przed wykonaniem zadania zostanie pobrana próbka oleju i czynnika chłodniczego w przypadku, gdy wymagana jest analiza przed ponownym użyciem zregenerowanego czynnika chłodniczego. Jest istotne, aby energia elektryczna była dostępna przed rozpoczęciem zadania.
- ◆ a) Zapoznać się z urządzeniem i jego działaniem.
- ◆ b) Oddzielić układ (system) elektrycznie.
- ◆ c) Przed przystąpieniem do procedury należy się upewnić, że: w razie potrzeby dostępny jest sprzęt mechaniczny do obsługi butli z czynnikiem chłodniczym; wszystkie środki ochrony osobistej są dostępne i używane są prawidłowo; proces odzyskiwania jest cały czas nadzorowany przez kompetentną osobę; Urządzenia i butle do odzyskiwania spełniają odpowiednie normy.
- ◆ d) Przepompować układ chłodniczy, jeśli to możliwe.
- ◆ e) Jeśli nie jest możliwa próżnia, należy wykonać kolektor, aby czynnik chłodniczy mógł zostać usunięty z różnych części systemu.
- ◆ f) Przed rozpoczęciem procesu odzyskiwania upewnić się, że butla znajduje się na wadze.
- ◆ g) Włączyć maszynę do odzyskiwania i postępować zgodnie z instrukcjami producenta.
- ◆ h) Nie napełniać zbyttnio butli. (Nie więcej niż 80% objętości napełnienia płynnego).
- ◆ i) Nie przekraczać maksymalnego ciśnienia roboczego butli, nawet chwilowo.
- ◆ j) Po prawidłowym napełnieniu butli i zakończeniu procesu należy upewnić się, że butle i wyposażenie zostały natychmiast usunięte z miejsca instalacji i że wszystkie zawory odcinające urządzenia są zamknięte.
- ◆ k) Odzyskany czynnik chłodzenia nie może być użyty do napełnienia innego układu chłodzenia, chyba że wcześniej został on oczyszczony i sprawdzony.

ETYKIETOWANIE

- ◆ Urządzenie musi być zaopatrzone w odpowiednią etykietę, informującą, że został dezaktywowany i opróżniony czynnik chłodzenia. Etykieta musi posiadać datę i podpis.
- ◆ Upewnij się, że urządzenie posiada etykiety, które informują, że urządzenie zawiera łatwopalny czynnik chłodzenia.

ODZYSKIWANIE

- ◆ Kiedy czynnik chłodniczy jest usuwany z układu, czy to w celu konserwacji lub zamknięcia, zaleca się jako dobrą praktykę, aby wszystkie czynniki chłodnicze były usuwane w sposób bezpieczny. Przenosząc czynnik chłodniczy do butli należy upewnić się, że używane są tylko odpowiednie butle do odzyskiwania czynnika chłodniczego. Należy upewnić się, że mamy do dyspozycji odpowiednią ilość butli do przechowania całego ładunku (odzysku) z układu. Wszystkie stosowane butle są przeznaczone do odzyskania czynnika chłodniczego i oznaczone tym czynnikiem chłodniczym (tj. specjalne butle do odzysku czynnika chłodniczego). Butle muszą być kompletnie wyposażone w zawór bezpieczeństwa i powiązane zawory odcinające, w dobrym stanie technicznym. Butle do odzysku są opróżniane i, jeśli to możliwe, chłodzone przed odzyskiem.
- ◆ Sprzęt do odzysku musi być w dobrym stanie technicznym, z zestawem instrukcji dotyczących danego sprzętu, który ma się pod ręką i musi być odpowiedni do odzyskiwania łatwopalnych czynników chłodniczych. Ponadto musi być dostępny zestaw skalibrowanych wag, działających prawidłowo. Węże muszą być kompletne ze szczelnymi złączkami i w dobrym stanie. Przed użyciem sprzętu do odzyskiwania, należy upewnić się, że jest on w dobrym stanie i działa sprawnie, że był konserwowany prawidłowo i że wszystkie jego części elektryczne są uszczelnione, aby zapobiec zapłonowi, w przypadku wydobycia się czynnika chłodniczego. W razie wątpliwości skontaktować się z producentem.
- ◆ Odzyskany czynnik chłodzenia zostanie zwrócony do dostawcy tego czynnika w butli do odzysku i zostanie umieszczona na niej Notyfikacja dot. przekazania odpowiednich odpadów. Nie wolno mieszać czynnika chłodzącego w pojemnikach do odzysku a przede wszystkim w butlach.
- ◆ Jeśli konieczne jest usunięcie sprężarek lub olejów sprężarkowych, należy upewnić się, że zostały one opróżnione do akceptowalnego poziomu, aby mieć pewność, że łatwopalny czynnik chłodniczy nie pozostał w smarze. Proces ewakuacji zostanie przeprowadzony przed przekazaniem sprężarki do dostawców. W celu przyspieszenia tego procesu, wystarczy tylko zastosować ogrzewanie statyczne w korpusie kompresora. Kiedy z układu jest pobierany olej, czynność tę należy przeprowadzić w bezpieczny sposób.

Kwalifikacje personelu serwi sowego

Ogólnie

- ◆ Wymagane jest dodatkowe specjalne przeszkolenie, oprócz zwykłych procedur naprawczych urządzeń chłodniczych, kiedy jest uszkodzone urządzenie z łatwopalnymi czynnikami chłodniczymi.
- ◆ W wielu krajach szkolenie to jest prowadzone przez krajowe organizacje szkoleniowe, które są akredytowane do nauczania odpowiednich krajowych standardów kompetencji, które mogą zostać ustanowione w prawie.
- ◆ Osiągnięte kompetencje muszą być udokumentowane zaświadczeniem.

Szkolenia

Szkolenie powinno obejmować następujące zagadnienia:

- ◆ Informacje na temat potencjału wybuchowego łatwopalnych czynników chłodniczych, aby pokazać, że produkty łatwopalne mogą być niebezpieczne w przypadku nieostrożnego obchodzenia się z nimi.
- ◆ Informacje na temat możliwych źródeł zapłonu, zwłaszcza tych, które nie są oczywiste, takich jak zapalniczki, przełączniki światła, odkurzacze, grzejniki elektryczne.
- ◆ Informacje na temat różnych koncepcji bezpieczeństwa:
- ◆ Bez wentylacji (patrz Klauzula GG.2). Bezpieczeństwo urządzenia nie zależy od wentylacji korpusu. Odłączenie urządzenia lub otwarcie korpusu nie ma żadnego znaczącego wpływu na bezpieczeństwo. Niemniej jednak istnieje możliwość, że czynnik chłodniczy może gromadzić się wyciekając do obudowy i zostanie uwolnienia łatwopalna atmosfera, kiedy obudowa zostanie otwarta.
- ◆ Obudowa wentylowana (patrz Klauzula GG.4). Bezpieczeństwo urządzenia nie zależy od wentylacji korpusu. Odłączenie urządzenia lub otwarcie korpusu nie ma żadnego znaczącego wpływu na bezpieczeństwo. Należy zachować ostrożność, aby wcześniej zagwarantować wystarczającą wentylację.
- ◆ Pomieszczenie wentylowane (patrz Klauzula GG.5). Bezpieczeństwo urządzenia nie zależy od wentylacji pomieszczenia. Odłączenie urządzenia lub otwarcie korpusu nie ma żadnego znaczącego wpływu na bezpieczeństwo. Nie wylączać wentylacji pomieszczenia w czasie przeprowadzania naprawy.
- ◆ Informacje na temat koncepcji elementów i obwodów uszczelnionych zgodnie z IEC 60079-15: 2010.
- ◆ Informacje na temat prawidłowych procedur pracy:

Uruchomienie

- ◆ Upewnij się, że powierzchnia podłogi jest wystarczająca do napełnienia czynnikiem chłodniczym lub, że kanał wentylacyjny jest zamontowany we właściwy sposób.
- ◆ Podłączyć rury i przeprowadzić próbę szczelności przed napełnieniem czynnikiem chłodniczym.
- ◆ Sprawdzić urządzenie pod względem bezpieczeństwa przed oddaniem go do eksploatacji.

Konserwacja

- ◆ Przenośne urządzenie z łatwopalnymi czynnikami chłodniczymi należy naprawiać na zewnątrz lub w specjalnie wyposażonym warsztacie.
- ◆ Zapewnić odpowiednią wentylację w miejscu naprawy.
- ◆ Należy mieć na uwadze, że złe działanie urządzenia nie może być spowodowane wyciekiem czynnika chłodniczego i że może mieć miejsce wyciek czynnika chłodniczego/
- ◆ Rozładować kondensatory w taki sposób, aby nie wywołać iskrzenia. Standardowa procedura zwarcia zacisków kondensatora generuje generalnie iskry.
- ◆ Złożyć ponownie z precyzją uszczelnione szafki. Jeśli uszczelnienia są już zużyte należy je wymienić.
- ◆ Sprawdzić urządzenie pod względem bezpieczeństwa przed oddaniem go do eksploatacji.

Naprawiać

- ◆ Przenośne urządzenie z łatwopalnymi czynnikami chłodniczymi należy naprawiać na zewnątrz lub w specjalnie wyposażonym warsztacie.
- ◆ Zapewnić odpowiednią wentylację w miejscu naprawy.
- ◆ Należy mieć na uwadze, że złe działanie urządzenia nie może być spowodowane wyciekiem czynnika chłodniczego i że może mieć miejsce wyciek czynnika chłodniczego/
- ◆ Rozładować kondensatory w taki sposób, aby nie wywołać iskrzenia.
- ◆ Kiedy wymagane byłoby tzw. twarde lutowanie, następujące procedury będą przeprowadzane w odpowiedniej kolejności:
- ◆ Usunąć czynnik chłodniczy. Jeśli przepisy krajowe nie wymagają odzysku, płyn chłodzący można spuścić na zewnątrz. Należy zachować ostrożność, aby czynnik chłodniczy nie spowodował żadnego zagrożenia. W razie wątpliwości jedna osoba musi pilnować wyjścia. Należy zachować specjalną ostrożność, aby spuszczonego czynnika chłodzenia nie wypłynął ponownie do budynku.
- ◆ Opróżnić układ czynnika chłodniczego.
- ◆ Przedmuchiwać układ czynnika chłodniczego azotem przez 5 minut.
- ◆ Ponownie opróżnić.
- ◆ Usunąć części, które będą zamienione przez wycięcie, nie przez odpalenie.
- ◆ Przedmuchać miejsce lutowania azotem w czasie procesu tzw. twardego lutowania („brazing”).
- ◆ Przeprowadzić próbę szczelności przed napełnieniem czynnikiem chłodniczym.
- ◆ Złożyć ponownie z precyzją uszczelnione szafki. Jeśli uszczelnienia są już zużyte należy je wymienić.
- ◆ Sprawdzić urządzenie pod względem bezpieczeństwa przed oddaniem go do eksploatacji.

Demontaż

- ◆ Jeśli bezpieczeństwo jest zagrożone, kiedy urządzenie jest wyłączone z eksploatacji, ładunek czynnika chłodniczego musi zostać usunięty przed jego wyłączeniem z eksploatacji.
- ◆ Zapewnić odpowiednią wentylację w miejscu ustawienia urządzenia.
- ◆ Należy mieć na uwadze, że złe działanie urządzenia nie może być spowodowane wyciekiem czynnika chłodniczego i że może mieć miejsce wyciek czynnika chłodniczego/
- ◆ Rozładować kondensatory w taki sposób, aby nie wywołać iskrzenia.
- ◆ Usunąć czynnik chłodniczy. Jeśli przepisy krajowe nie wymagają odzysku, płyn chłodzący można spuścić na zewnątrz. Należy zachować ostrożność, aby czynnik chłodniczy nie spowodował żadnego zagrożenia. W razie wątpliwości jedna osoba musi pilnować wyjścia. Należy zachować specjalną ostrożność, aby spuszczonego czynnika chłodzenia nie wypłynął ponownie do budynku.
- ◆ Opróżnić układ czynnika chłodniczego.
- ◆ Przedmuchiwać układ czynnika chłodniczego azotem przez 5 minut.
- ◆ Ponownie usunąć.
- ◆ Napełnić azotem aż do ciśnienia atmosferycznego.
- ◆ Umieścić etykietę na urządzeniu informującą, że usunięto czynnik chłodniczy.

Usuwanie

- ◆ Zapewnić odpowiednią wentylację w miejscu pracy.
- ◆ Usunąć czynnik chłodniczy. Jeśli przepisy krajowe nie wymagają odzysku, płyn chłodzący można spuścić na zewnątrz. Należy zachować ostrożność, aby czynnik

chłodniczy nie spowodował żadnego zagrożenia. W razie wątpliwości jedna osoba musi pilnować wyjścia. Należy zachować specjalną ostrożność, aby spuszczany czynnik chłodzenia nie wypłynął ponownie do budynku.

- ◆ Opróżnić układ czynnika chłodniczego.
- ◆ Przedmuchiwać układ czynnika chłodniczego azotem przez 5 minut.
- ◆ Ponownie opróżnić.
- ◆ Odciąć kompresor i spuścić olej.

Transport, oznaczenie i przechowywanie urządzeń, które używają łatwopalnych czynników chłodniczych.

Transport urządzeń, które zawierają czynnik chłodniczy

- ◆ Zwraca się uwagę na fakt, że mogą istnieć dodatkowe przepisy transportowe odnoszące się do urządzeń, które zawierają łatwopalne gazy. Maksymalna liczba urządzeń lub konfiguracji sprzętu, który może być transportowany razem, zostanie określona przez obowiązujące przepisy transportowe.

Oznaczenie urządzeń symbolami

- ◆ Powiadomienia o podobnych urządzeniach gospodarstwa domowego, które są używane w miejscu pracy, są na ogół traktowane zgodnie z lokalnymi przepisami i zapewniają minimalne wymagania dotyczące zapewnienia znaków bezpieczeństwa i / lub zdrowia w miejscu pracy.
- ◆ Muszą być zachowane wszystkie wymagane oznaczenia, a pracodawcy muszą zapewnić, że pracownicy otrzymają odpowiednie i wystarczające instrukcje oraz szkolenia na temat znaczenia odpowiednich znaków bezpieczeństwa i działań, które należy podjąć w odniesieniu do tych znaków.
- ◆ Skuteczności znaków nie może być umniejszona przez zbyt wiele znaków, które są umieszczone razem.
- ◆ Każdy użyty piktogram powinien być możliwie jak najprostszy i zawierać tylko istotne szczegóły.

Eliminowanie urządzeń, które zawierają czynniki chłodnicze

- ◆ Patrz przepisy krajowe

Magazynowanie urządzeń / sprzęt gospodarstwa domowego

- ◆ Magazynowanie urządzenia powinno odbywać się zgodnie z instrukcjami producenta.
- ◆ Przechowywanie zapakowanych urządzeń (nie sprzedanych).
- ◆ Zabezpieczenie opakowania magazynowego musi być skonstruowane w taki sposób, aby mechaniczne uszkodzenia urządzenia wewnątrz opakowania nie powodowały wycieku czynnika chłodniczego.
- ◆ Maksymalna ilość urządzeń, które można przechowywać razem, będzie określona przez lokalne przepisy.

To urządzenie jest zgodne z dyrektywą 2014/35/EU niskonapięciowych 2014/30/EU o kompatybilności elektromagnetycznej, z dyrektywą 2011/65/EU w sprawie ograniczenia stosowania niektórych niebezpiecznych substancji w sprzęcie elektrycznym i elektronicznym oraz dyrektywą 2009/125/EC w sprawie wymogów dotyczących ekoprojektu stosowanego w produktach związanych z energią.

ΑΦΥΓΡΑΝΤΗΡΑΣ BXDH12E BXDH20E

Αξιότιμη πελάτη:

Σας ευχαριστούμε που αποφασίσατε να αγοράσετε ένα προϊόν μάρκας BLACK+DECKER.

Η τεχνολογία, ο σχεδιασμός και η λειτουργία του, σε συνδυασμό με το γεγονός ότι το προϊόν πληροί τις αυστηρότερες προδιαγραφές ποιότητας θα σας εξασφαλίσουν πλήρη ικανοποίηση για πολύ καιρό.



Μην εγκαταστήσετε ούτε να χρησιμοποιείτε το Αφυγραντήρας σας προτού διαβάσετε προσεκτικά το παρόν εγχειρίδιο. Να φυλάσσετε το παρόν εγχειρίδιο οδηγιών ως πιθανή εγγύηση του προϊόντος και για να το συμβουλευέστε στο μέλλον.

ΠΡΟΕΙΔΟΠΟΙΗΣΗ

- ◆ Μη χρησιμοποιείτε προϊόντα για την επιτάχυνση της διαδικασίας απόψυξης ή για τον καθαρισμό, καθώς δεν συνιστώνται από τον κατασκευαστή.
- ◆ Πρέπει να αποθηκεύετε τη συσκευή σε δωμάτιο χωρίς πηγές ανάφλεξης σε διαρκή λειτουργία (για παράδειγμα: γυμνές φλόγες, συσκευή γκαζιού σε λειτουργία ή ηλεκτρικό θερμαντικό σώμα σε λειτουργία).
- ◆ Μην τρυπάτε ούτε να καίτε τη συσκευή.
- ◆ Να θυμάστε ότι τα ψυκτικά μέσα μπορεί να είναι άοσμα.
- ◆ Η συσκευή πρέπει να εγκαθίσταται, να λειτουργεί και να αποθηκεύεται σε αίθουσα με επιφάνεια πατώματος μεγαλύτερη από 4m².

ΠΡΟΕΙΔΟΠΟΙΗΣΗ

- ◆ Ειδικές πληροφορίες για συσκευές με ψυκτικά μέσα R290.
- ◆ Διαβάστε προσεκτικά όλες τις προειδοποιήσεις.
- ◆ Όταν αποψύχετε και καθαρίζετε τη συσκευή, μη χρησιμοποιείτε εργαλεία άλλα από αυτά που προτείνονται από την εταιρεία κατασκευής.
- ◆ Η συσκευή πρέπει να τοποθετείται σε χώρο χωρίς πηγές ανάφλεξης (για παράδειγμα: γυμνές φλόγες, γκάζι ή ηλεκτρικές συσκευές σε λειτουργία).
- ◆ Μην τρυπάτε ούτε να καίτε τη συσκευή.
- ◆ Η παρούσα συσκευή περιέχει 52 γραμμάρια ψυκτικού αερίου R290.
- ◆ R290 είναι ψυκτικό αέριο που συμμορφώνεται με τις ευρωπαϊκές οδηγίες για το περιβάλλον. Μην τρυπήσετε κανένα τμήμα του ψυκτικού κυκλώματος.
- ◆ Αν η συσκευή έχει εγκατασταθεί, λειτουργεί ή είναι εγκαταστημένη σε μη αεριζόμενο χώρο, το δωμάτιο πρέπει να έχει σχεδιαστεί έτσι ώστε να αποφεύγεται η συσσώρευση διαρροών ψυκτικού μέσου, πράγμα που θα δημιουργούσε κίνδυνο πυρκαγιάς ή έκρηξης λόγω ανάφλεξης του ψυκτικού μέσου, η οποία προκαλείται

από ηλεκτρικά θερμαντικά σώματα, σόμπες ή άλλες πηγές ανάφλεξης.

- ◆ Η συσκευή πρέπει να αποθηκεύεται με τέτοιον τρόπο ώστε να αποφεύγονται μηχανικές βλάβες.
- ◆ Τα άτομα που παρεμβαίνουν ή εργάζονται επί του ψυκτικού κυκλώματος πρέπει να διαθέτουν το αντίστοιχο πιστοποιητικό, εκδοθέν από πιστοποιημένο οργανισμό, που να διασφαλίζει την επάρκεια στον χειρισμό ψυκτικών μέσων, βάσει ειδικής αξιολόγησης που αναγνωρίζεται από τις οργανώσεις του κλάδου.
- ◆ Οι επισκευές πρέπει να πραγματοποιούνται βάσει της σύστασης της εταιρείας κατασκευής. Η συντήρηση και οι επισκευές που απαιτούν τη συνδρομή και άλλου ειδικού προσωπικού πρέπει να πραγματοποιούνται υπό την εποπτεία ατόμου εξειδικευμένου στη χρήση εύφλεκτων ψυκτικών μέσων.

ΟΔΗΓΙΕΣ ΚΑΙ ΠΡΟΕΙΔΟΠΟΙΗΣΕΙΣ ΑΣΦΑΛΕΙΑΣ

- ◆ Αυτή τη συσκευή μπορούν να τη χρησιμοποιήσουν παιδιά ηλικίας 8 ετών και άνω και άτομα με μειωμένες σωματικές, αισθητηριακές ή διανοητικές ικανότητες ή με έλλειψη εμπειρίας ή γνώσεων, εφόσον τους παρέχεται η κατάλληλη εποπτεία ή εκπαιδευτούν στην ασφαλή χρήση της συσκευής και κατανοούν τους κινδύνους που εγκυμονεί.
- ◆ Η παρούσα συσκευή δεν είναι παιχνίδι. Τα παιδιά πρέπει να επιτηρούνται ώστε να διασφαλίζεται ότι δεν παίζουν με τη συσκευή.
- ◆ Μην επιτρέπετε σε παιδιά να φροντίζουν για την καθαριότητά ή τη συντήρησή του χωρίς επίβλεψη.
- ◆ Εγκαταστήστε τη συσκευή σύμφωνα με τους εθνικούς κανονισμούς περί καλωδίωσης Αφήστε χώρο 50 cm ανάμεσα στη συσκευή και τον τοίχο ή άλλα εμπόδια. Μην καλύπτετε ούτε φράσσετε τα πλαινά της συσκευής, αφήστε τουλάχιστον έναν χώρο 50 cm γύρω από αυτήν.
- ◆ Η συσκευή χρειάζεται τον κατάλληλο εξαερισμό για να λειτουργεί σωστά.
- ◆ Αν η σύνδεση με το ρεύμα έχει πρόβλημα, πρέπει να αντικατασταθεί. Μεταφέρετε τη συσκευή σε εγκεκριμένη υπηρεσία τεχνικής βοήθειας.
- ◆ Μην προσπαθήσετε να την αποσυναρμολογήσετε ή να την επισκευάσετε μόνος σας γιατί μπορεί να εκτεθείτε σε κίνδυνο.
- ◆ Αυτή η συσκευή έχει σχεδιαστεί μόνο για οικιακή χρήση, όχι για επαγγελματική ή βιομηχανική χρήση.
- ◆ Πριν συνδέσετε τη συσκευή στο ρεύμα, ελέγξτε ότι η τάση που αναφέρεται στην πινακίδα σήμανσης συμπίπτει με την τάση του ρεύματος.
- ◆ Συνδέστε τη συσκευή σε βάση λήψης ρεύματος που αντέχει τουλάχιστον 10 αμπέρ.

- ♦ Το βύσμα της πρίζας της συσκευής πρέπει να συμπίπτει με την ηλεκτρική βάση λήψης ρεύματος. Μην αλλάζετε ποτέ το βύσμα της πρίζας. Μην χρησιμοποιείται μετασχηματιστές στο βύσμα της πρίζας.
- ♦ Μην ασκείτε πίεση στο ηλεκτρικό καλώδιο. Ποτέ μη χρησιμοποιείτε το ηλεκτρικό καλώδιο για να σηκώσετε, να μεταφέρετε ή να αποσυνδέσετε τη συσκευή από την πρίζα.
- ♦ Μην τυλίγετε το ηλεκτρικό καλώδιο σύνδεσης γύρω από τη συσκευή.
- ♦ Βεβαιωθείτε ότι το ηλεκτρικό καλώδιο δεν έχει τσακίσει ή διπλωθεί.
- ♦ Μην αφήνετε το ηλεκτρικό καλώδιο σύνδεσης να κρέμεται ή να έρχεται σε επαφή με τις ζεστές επιφάνειες της συσκευής.
- ♦ Ελέγξτε την κατάσταση του καλωδίου τροφοδοσίας. Αν το καλώδιο παρουσιάζει φθορά ή έχει μπλεχτεί αυξάνεται ο κίνδυνος ηλεκτροπληξίας.
- ♦ Σαν επιπρόσθετη προστασία στην ηλεκτρική εγκατάσταση που τροφοδοτεί την συσκευή, συνίσταται να το διαθέτει μια διάταξη παραμένοντος ρεύματος, με μια μέγιστη ευαισθησία των 30 mA. Μιλήστε με τον υπεύθυνο εγκατάστασης.
- ♦ Μην αγγίζετε το βύσμα σύνδεσης με υγρά χέρια.
- ♦ Μη χρησιμοποιείτε τη συσκευή όταν το ηλεκτρικό καλώδιο ή το βύσμα έχουν υποστεί ζημιά.
- ♦ Εάν κάποιο από τα περιβλήματα της συσκευής σπάσει, αποσυνδέετε αμέσως τη συσκευή από το ρεύμα για να αποφύγετε πιθανότητα ηλεκτροπληξίας.
- ♦ Μη χρησιμοποιείτε τη συσκευή αν έχει πέσει στο δάπεδο, αν παρουσιάζει εμφανή φθορά ή διαρροή.
- ♦ Να χρησιμοποιείται η συσκευή σε καλά αεριζόμενο χώρο.
- ♦ Σε περίπτωση χρήσης της συσκευής στο ίδιο δωμάτιο με άλλες συσκευές γκαζιού ή καυσίμου, το δωμάτιο θα πρέπει να αερίζεται καλά.
- ♦ Μην τοποθετείτε τη συσκευή σε σημείο όπου μπορεί να φτάσει απευθείας το φως του ήλιου.
- ♦ Τοποθετήστε τη συσκευή σε οριζόντια επιφάνεια, επίπεδη, σταθερή και μακριά από πηγές θερμότητας και πιθανά πιπιλίσματα νερού.
- ♦ Μη χρησιμοποιείτε ούτε να φυλάσσετε τη συσκευή σε εξωτερικούς χώρους.
- ♦ Μην εκθέτετε τη συσκευή στη βροχή ή την υγρασία. Το νερό που εισέρχεται στη συσκευή αυξάνει τον κίνδυνο ηλεκτροπληξίας.
- ♦ ΠΡΟΕΙΔΟΠΟΙΗΣΗ: Μην χρησιμοποιείτε τη συσκευή κοντά σε νερό.
- ♦ Μην ασκείτε πίεση στο ηλεκτρικό καλώδιο. Ποτέ μη χρησιμοποιείτε το ηλεκτρικό καλώδιο για να σηκώσετε, να μεταφέρετε ή να αποσυνδέσετε τη συσκευή από την πρίζα. Φροντίστε η συσκευή να βρίσκεται μακριά από πηγές θερμότητας και αιχμηρές γωνίες.

Χρήση και συντήρηση:

- ♦ Πριν από κάθε χρήση, ξετυλίξτε τελείως το καλώδιο τροφοδοσίας της συσκευής.
- ♦ Μη χρησιμοποιείται τη συσκευή αν δεν λειτουργεί ο διακόπτης έναρξης/παύσης λειτουργίας. Μην βγάζετε από την συσκευή την βάση στήριξης. Μην μετακινείται τη συσκευή ενώ χρησιμοποιείται.
- ♦ Χρησιμοποιείτε τα χερούλια μεταφοράς για να πιάσετε ή να μεταφέρετε τη συσκευή.
- ♦ Μην αναποδογυρίζετε τη συσκευή ενώ χρησιμοποιείται ή είναι συνδεδεμένη στο ρεύμα.
- ♦ Αποσυνδέετε τη συσκευή από το ρεύμα, όταν δεν χρησιμοποιείται καθώς και πριν πραγματοποιήσετε οποιαδήποτε διαδικασία καθαρισμού.
- ♦ Διατηρήστε την παρούσα συσκευή μακριά από τα παιδιά ή/και τα άτομα με μειωμένες σωματικές, αισθητηριακές ή διανοητικές ικανότητες ή με έλλειψη εμπειρίας ή γνώσεων.
- ♦ Μην εκθέτετε τη συσκευή σε ακραίες θερμοκρασίες. Διατηρείτε τη συσκευή σε στεγνό μέρος, χωρίς σκόνη και απομακρυσμένο από το φως του ήλιου. Μην αφήνετε ποτέ συνδεδεμένη τη συσκευή και χωρίς επιτήρηση. Έτσι θα εξοικονομήσετε επίσης ενέργεια και θα επιμηκύνετε τη ζωή της συσκευής.
- ♦ Οποιαδήποτε μη ενδεδειγμένη χρήση ή χρήση αντίθετη προς τις οδηγίες χρήσης μπορεί να εγκυμονεί
- ♦ κινδύνους, και ακυρώνει την εγγύηση και την ευθύνη του κατασκευαστή.
- ♦ Αφαιρέστε και αδειάστε το νερό από τη δεξαμενή πριν ενεργοποιήσετε τη συσκευή. Τυχόν διαρροή νερού μπορεί να προκαλέσει βλάβη στα εξαρτήματα στο εσωτερικό της συσκευής.
- ♦ Χρησιμοποιήστε τα χερούλια και τις ρόδες για να μεταφέρετε εύκολα τη συσκευή και να αποφύγετε τυχόν χτυπήματα.
- ♦ *(Μόνο για το μοντέλο BXDH20E). Για να διασφαλίσετε ότι το σύστημα καθαρισμού του αέρα λειτουργεί σωστά, αντικαταστήστε το φίλτρο HEPA μετά από περίπου 2000 h χρήσης. Για να αγοράσετε καινούργια φίλτρα, απευθυνθείτε στην υπηρεσία τεχνικής βοήθειας.

Υπηρεσία

- ♦ Επιβεβαιώστε ότι η υπηρεσία επισκευάζεται μόνο από εξειδικευμένο προσωπικό και χρησιμοποιούνται μόνο ανταλλακτικά ή αξεσουάρ πρωτότυπα για αντικατάσταση των εξαρτημάτων / εξαρτημάτων υπάρχουν.

- ♦ Κάθε κακή χρήση ή διαφωνία οι οδηγίες χρήσης μπορεί να είναι επικίνδυνες, ακυρώντας την εγγύηση και την ευθύνη του κατασκευαστή.

ΠΕΡΙΓΡΑΦΗ

- A Λαβή μεταφοράς
- B Πίνακας ελέγχου
- C Μπροστινός πίνακας
- D Πίσω πίνακας
- E Καπάκι δεξαμενής νερού*
- F Χερούλι δεξαμενής νερού*
- G Δεξαμενή νερού
- H Ρόδες
- I Πλαίσιο φίλτρου
- J Έξοδος στράγγισης
- K Στήλη αποθήκευσης καλωδίου
- L Φίλτρο HEPA 13*
- M Σωλήνας αποστράγγισης

(*) Διατίθεται μόνο στο μοντέλο BXDH20E

Σε περίπτωση που το μοντέλο της συσκευής σας δεν διαθέτει τα εξαρτήματα που περιγράφονται παραπάνω, αυτά τα εξαρτήματα μπορείτε να τα αποκτήσετε μεμονωμένα από τις Υπηρεσίες τεχνικής συνδρομής.

ΠΙΝΑΚΑΣ ΕΛΕΓΧΟΥ

- 1 Χρονοδιακόπτης
- 2 Εσωτερικό στέγνωμα
- 3 Ταχύτητα αέρα
- 4 Γεμάτη δεξαμενή
- 5 Οθόνη LED
- 6 Έλεγχος υγρασίας
- 7 Τρόπος λειτουργίας / Στέγνωμα ρούχων
- 8 ON/OFF

Εγκατάσταση

- ♦ Βεβαιωθείτε ότι απομακρύνετε κάθε υλικό συσκευασίας από τη συσκευή.
- ♦ *(Μόνο για το μοντέλο BXDH20E). Αφαιρέστε το πλαίσιο φίλτρου Βγάλτε το φίλτρο HEPA από την πλαστική σακούλα και τοποθετήστε το στη θέση που προβλέπεται για το φίλτρο. Ξαναβάλτε το πλαίσιο με το φίλτρο. Βεβαιωθείτε ότι έχει «κουμπώσει» στη σωστή θέση.
- ♦ Για να μειώσετε τη δόνηση, τον θόρυβο και πιθανές βλάβες σε χαλιά και ξύλινα πατώματα, τοποθετήστε χαλάκια, λαστιχένιες ταινίες ή κάτι παρεμφερές, κάτω από τον αφυγραντήρα.

Παρατηρήσεις πριν τη χρήση:

- ♦ Βεβαιωθείτε ότι έχετε αφαιρέσει όλα τα υλικά συσκευασίας του προϊόντος.
- ♦ Ορισμένα εξαρτήματα της συσκευής έχουν λιπανθεί ελαφρώς και ως εκ τούτου, όταν η συσκευή μπει σε λειτουργία για πρώτη φορά, ίσως αναδυθεί λίγος καπνός. Σύντομα, αυτός ο καπνός θα πάψει να αναδύεται.
- ♦ Για να αποφύγετε τη μυρωδιά που θα εκπέμψει η συσκευή την πρώτη φορά, συνιστάται να τη θέσετε σε λειτουργία στη μέγιστη θερμοκρασία για 2 ώρες, σε δωμάτιο που αερίζεται καλά.

Τρόπος λειτουργίας Χρήση:

- ♦ Ξετυλίξτε τελείως το καλώδιο πριν συνδέσετε τη συσκευή στο ρεύμα.
- ♦ Συνδέστε τη συσκευή στο ηλεκτρικό δίκτυο.
- ♦ Θέστε τη συσκευή σε λειτουργία, χρησιμοποιώντας το κουμπί έναρξη/παύση (8).
- ♦ Επιλέξτε την επιθυμητή λειτουργία.

ΤΡΟΠΟΣ ΛΕΙΤΟΥΡΓΙΑΣ

- ♦ Πατήστε το κουμπί τρόπου λειτουργίας (7) για να επιλέξετε τον αυτόματο τρόπο λειτουργίας ή τον τρόπο λειτουργίας για το στέγνωμα των ρούχων Στον αυτόματο τρόπο λειτουργίας, η συσκευή λειτουργεί μέχρι να φτάσει στο ποσοστό υγρασίας που έχετε επιλέξει. Το προεπιλεγμένο ποσοστό είναι 50 %. Για περισσότερες πληροφορίες, διαβάστε την παράγραφο ΛΕΙΤΟΥΡΓΙΑ ΡΥΘΜΙΣΗΣ ΤΗΣ ΥΓΡΑΣΙΑΣ.
- ♦ Με τη λειτουργία στεγνώματος ρούχων μειώνεται ο χρόνος στεγνώματος, καθώς μειώνεται η υγρασία. Για περισσότερες πληροφορίες, διαβάστε την παράγραφο

ΛΕΙΤΟΥΡΓΙΑ ΣΤΕΓΝΩΜΑΤΟΣ ΡΟΥΧΩΝ.

- ♦ Η επάνω φωτεινή ένδειξη θα δείξει τον τρόπο λειτουργίας που έχετε επιλέξει.

ΛΕΙΤΟΥΡΓΙΑ ΧΡΟΝΟΔΙΑΚΟΠΤΗ:

- ♦ Πατήστε το κουμπί του χρονοδιακόπτη (1) για να ενεργοποιήσετε αυτή τη λειτουργία.
- ♦ Στην οθόνη LED θα εμφανιστεί η ώρα που επιλέξατε.
- ♦ Ρυθμίστε τον χρόνο, πατώντας το κουμπί όσες φορές χρειαστεί (1-24 h). Κάθε πάτημα προσθέτει μία ώρα.
- ♦ Αφού φτάσετε στον επιθυμητό χρόνο, σταματήστε να πατάτε το κουμπί. Μετά από 5 δευτερόλεπτα, επιβεβαιώνεται ο επιλεγμένος χρόνος.
- ♦ Η επάνω φωτεινή ένδειξη θα ανάψει.
- ♦ Για να ακυρώσετε τη ρύθμιση του χρονοδιακόπτη, πατήστε δύο φορές, αφού έχετε επιβεβαιώσει πρώτα την ώρα.

ΛΕΙΤΟΥΡΓΙΑ ΕΣΩΤΕΡΙΚΟ ΣΤΕΓΝΩΜΑ:

- ♦ Πιέστε το κουμπί εσωτερικού στεγνώματος (2).
- ♦ Η επάνω φωτεινή ένδειξη θα ανάψει.
- ♦ Αυτή η λειτουργία στεγνώνει το εσωτερικό της συσκευής, έτσι ώστε να αποφεύγεται η δημιουργία μούχλας. Η κατά προσέγγιση διάρκεια της είναι 1 ώρα.
- ♦ Ο αφυγραντήρας απελευθερώνει διαρκώς αέρα, σε υψηλή ταχύτητα, για 30 λεπτά. Στη συνέχεια, περνάει σε χαμηλή ταχύτητα για άλλα 20 λεπτά.
- ♦ Για απενεργοποίηση της λειτουργίας, πιέστε πάλι το κουμπί.
- ♦ Πριν τη φύλαξη του αφυγραντήρα, ενεργοποιήστε αυτήν τη λειτουργία, ώστε να αποφύγετε τη δημιουργία μούχλας στο εσωτερικό του.

ΛΕΙΤΟΥΡΓΙΑ ΡΥΘΜΙΣΗ ΥΓΡΑΣΙΑΣ:

- ♦ Αυτή η λειτουργία είναι διαθέσιμη μόνο στον αυτόματο τρόπο λειτουργίας.
- ♦ Πιέστε το κουμπί ρύθμισης υγρασίας (6).
- ♦ Εκείνη τη στιγμή, θα εμφανιστεί ένα ποσοστό υγρασίας.
- ♦ Κάθε φορά που πατάτε το κουμπί, το ποσοστό υγρασίας θα αυξάνεται κατά 5 % μέχρι να φτάσει στο μέγιστο 80 % κι ύστερα θα γυρίσει πάλι στο 30 %.
- ♦ Αφού φτάσετε στο επιθυμητό ποσοστό, σταματήστε να πατάτε το κουμπί. Η συσκευή θα λειτουργήσει μέχρι που η υγρασία του δωματίου να φτάσει να είναι 5 % κάτω από την επιλεγμένη. Τότε, ο συμπιεστής θα σταματήσει, αλλά ο ανεμιστήρας θα συνεχίσει να δουλεύει στην επιλεγμένη ταχύτητα.
- ♦ Στην οθόνη LED θα εμφανιστεί η ώρα που επιλέξατε.

ΛΕΙΤΟΥΡΓΙΑ ΣΤΕΓΝΩΜΑ ΡΟΥΧΩΝ

- ♦ Πατήστε το κουμπί του τρόπου λειτουργίας (7) για να επιλέξετε αυτήν τη λειτουργία. Η επάνω φωτεινή ένδειξη θα δείξει τον τρόπο λειτουργίας που έχετε επιλέξει.
- ♦ Αυτή η λειτουργία ενεργοποιεί τον συμπιεστή, ανεξάρτητα από την υγρασία του δωματίου. Αυτό επιτρέπει να στεγνώσουν γρηγορότερα τα ρούχα.
- ♦ Για ακύρωση της λειτουργίας, πιέστε πάλι το κουμπί, θα περάσει στην αυτόματη λειτουργία.

ΤΑΧΥΤΗΤΑ ΤΟΥ ΑΝΕΜΙΣΤΗΡΑ:

- ♦ Πατήστε το κουμπί του ανεμιστήρα (3) για να επιλέξετε την ταχύτητα (υψηλή ή χαμηλή).
- ♦ Η επάνω φωτεινή ένδειξη θα δείξει την ταχύτητα που έχετε επιλέξει.

ΚΛΕΙΔΩΜΑ ΓΙΑ ΤΑ ΠΑΙΔΙΑ:

- ♦ Για να ενεργοποιήσετε αυτήν τη λειτουργία, διατηρείστε πατημένο το κουμπί του τρόπου λειτουργίας (7) τουλάχιστον για 3 δευτερόλεπτα.
- ♦ Τα κουμπιά του πίνακα ελέγχου θα κλειδώσουν.
- ♦ Για να ξεκλειδώσετε τον πίνακα, επαναλάβετε τη διαδικασία.

ΣΤΡΑΓΓΙΣΗ (ΔΕΞΑΜΕΝΗ ΝΕΡΟΥ)

- ♦ Όταν γεμίσει η δεξαμενή, το εικονίδιο που δείχνει ότι η δεξαμενή είναι γεμάτη (4) θα αρχίσει να αναβοσβήνει. Η συσκευή θα εκπέμψει μια ηχητική ειδοποίηση.
- ♦ Ο συμπιεστής και ο ανεμιστήρας θα πάψουν να δουλεύουν.

- ♦ Προχωρήστε στην αφαίρεση της δεξαμενής νερού. Τοποθετήστε τα χέρια στις βαθύτερες περιοχές της δεξαμενής και αφαιρέστε τη προσεκτικά.
- ♦ Αφαιρέστε το καπάκι από τη δεξαμενή νερού* και αδειάστε τη.
- ♦ Επανατοποθετήστε το καπάκι και τη δεξαμενή στη θέση τους, για να επανεκκινήσετε τον αφυγραντήρα.

ΣΤΡΑΓΓΙΣΗ (ΔΙΑΡΚΗΣ ΣΤΡΑΓΓΙΣΗ)

- ♦ Η συσκευή προσφέρει τη δυνατότητα σύνδεσης του χορηγούμενου σωλήνα (∅ εσωτερική 9 mm) στην έξοδο της στράγγισης (J) για διαρκή στράγγιση.
- ♦ Για την εγκατάσταση του σωλήνα, εντοπίστε την έξοδο στράγγισης, ξεβιδώστε το κάλυμμα και βγάλτε το καπάκι. Συνδέστε τον σωλήνα στην έξοδο.
- ♦ Το κάτω άκρο του σωλήνα πρέπει να είναι τουλάχιστον 10 cm πιο κάτω από την έξοδο του νερού.
- ♦ Το άκρο του σωλήνα δεν μπορεί να παραμείνει στο νερό. Πρέπει να εγκαθίσταται σε μέρος που επιτρέπει τη διαρκή στράγγιση του νερού.
- ♦ Ο σωλήνας πρέπει να παραμείνει τεντωμένος συνέχεια, προκειμένου να στραγγίζεται το νερό όπως πρέπει.
- ♦ Για περισσότερες πληροφορίες για τη διαρκή στράγγιση, συμβουλευτείτε την ακόλουθη εικόνα. Fig. 1

Αφού ολοκληρωθεί η χρήση της συσκευής:

- ♦ Σταματήστε τη λειτουργία της συσκευής, χρησιμοποιώντας το κουμπί έναρξη/παύση.
- ♦ Αποσυνδέστε τη συσκευή από το ηλεκτρικό δίκτυο.
- ♦ Μαζέψτε το καλώδιο, χρησιμοποιώντας τη στήλη για την αποθήκευσή του (K).
- ♦ Καθαρίστε τη συσκευή.

ΚΑΘΑΡΙΟΤΗΤΑ

- ♦ Αποσυνδέστε τη συσκευή από το ρεύμα και αφήστε τη να κρυώσει πριν πραγματοποιήσετε οποιαδήποτε διαδικασία καθαρισμού.
- ♦ Καθαρίστε το ηλεκτρικό μέρος και την πρίζα σύνδεσης στο ρεύμα με ένα υγρό πανί και μετά στεγνώστε τα. ΠΟΤΕ ΜΗΝ ΤΑ ΕΜΒΑΠΤΙΖΕΤΑΙ ΣΕ ΝΕΡΟ Η ΟΠΟΙΟΔΗΠΟΤΕ ΑΛΛΟ ΥΓΡΟ.
- ♦ Καθαρίστε τη συσκευή με ένα υγρό πανί, εμποτισμένο με μερικές σταγόνες απορρυπαντικού.
- ♦ Μη χρησιμοποιείται διαλυτικά ούτε προϊόντα με όξινο ή αλκαλικό παράγοντα pH, όπως η χλωρίνη, ούτε λιπαντικά προϊόντα για τον καθαρισμό της συσκευής.
- ♦ Μην αφήσετε να εισχωρήσει νερό ή άλλο υγρό από τα ανοίγματα εξερισμού για να αποφύγετε ζημιές στα τμήματα στο εσωτερικό της συσκευής.
- ♦ Μην εμβαπτίζετε ποτέ τη συσκευή σε νερό ή άλλο υγρό, ούτε να τη βάζετε κάτω από τη βρύση.
- ♦ Αν η συσκευή δεν βρίσκεται σε καλή κατάσταση καθαριότητας, η επιφάνειά της μπορεί να χαλάσει και αυτό να επηρεάσει αναπόφευκτα τη διάρκεια ζωής της συσκευής και να οδηγήσει σε κατάσταση επικινδυνότητας.
- ♦ Στεγνώστε όλα τα μέρη πριν τη συναρμολόγηση και αποθήκευσή της.

Καθαριότητα του φίλτρου αέρα

- ♦ Καθαρίστε τα φίλτρα αέρα κάθε 2 εβδομάδες. Αν το φίλτρο αέρα είναι γεμάτο σκόνη, η αποτελεσματικότητά του θα μειωθεί.
- ♦ Πλύνετε τα φίλτρα αέρα βουτώντας τα προσεκτικά σε ζεστό νερό όπου έχετε βάλει ένα ουδέτερο απορρυπαντικό, ξεπλύνετε τα και αφήστε τα να στεγνώσουν τελείως σε σκιερό μέρος.
- ♦ Εγκαταστήστε τα φίλτρα προσεκτικά αφού τα έχετε καθαρίσει.
- ♦ *(Μόνο για το μοντέλο BXDH20E). Για να διασφαλίσετε ότι το σύστημα καθαρισμού του αέρα λειτουργεί σωστά, αντικαταστήστε το φίλτρο HEPA μετά από περίπου 2000 h χρήσης. Για να αγοράσετε καινούργια φίλτρα, απευθυνθείτε στην υπηρεσία τεχνικής βοήθειας.

Προβλήματα και επισκευές

- ♦ Σε περίπτωση που εντοπίσετε οποιαδήποτε ανωμαλία, συμβουλευτείτε αμέσως τον πίνακα:

Προβλήματα	Αιτία	Λύση
Η συσκευή δεν λειτουργεί	Πέφτει η πρίζα;	Βάλτε τη συσκευή στην πρίζα.
	Η δεξαμενή είναι γεμάτη ή λάθος τοποθετημένη;	Αδειάστε το νερό από τη δεξαμενή και επανατοποθετήστε τη.
	Η θερμοκρασία δωματίου είναι κάτω από 5 °C ή πάνω από 32 °C.	Η κατάσταση είναι κανονική. Η συσκευή δεν δουλεύει για λόγους ασφαλείας.
Ο αφυγραντήρας δεν αποδίδει.	Είναι τα επίπεδα θερμοκρασίας δωματίου ή υγρασίας πολύ χαμηλά;	Σε συνθήκες ξηρότητας η ικανότητα του αφυγραντήρα μειώνεται.
	Είναι φρακαρισμένες η έξοδος και η είσοδος του αέρα;	Απομακρύνετε τα αντικείμενα που φράσσουν την έξοδο και την είσοδο του αέρα.
Δεν βγαίνει αέρας.	Έχει φράξει το φίλτρο αέρα;	Καθαρίστε το φίλτρο ακολουθώντας τις προηγούμενες οδηγίες.
Αφύσικος θόρυβος κατά τη λειτουργία.	Ο αφυγραντήρας έχει κλίση ή έχει τοποθετηθεί κατά ασταθή τρόπο;	Τοποθετήστε τον αφυγραντήρα σε επίπεδο μέρος
	Έχει φράξει το φίλτρο αέρα;	Καθαρίστε το φίλτρο ακολουθώντας τις προηγούμενες οδηγίες.
	Ακούγεται κάτι σαν «γελάκι»;	Πρόκειται για το ψυκτικό μέσο καθώς ρέει· είναι κάτι φυσιολογικό.
Διαρροές νερού.	Η σύνδεση της στράγγισης χαλάρωσε.	Στερεώστε τον σωλήνα στράγγισης.
	Το σύστημα στράγγισης έχει φρακάρει.	Απομακρύνετε τυχόν εμπόδια και τεντώστε τον σωλήνα.
Εμφανίζεται πάχνη.	Η θερμοκρασία είναι υπερβολικά χαμηλή και η συσκευή βρίσκεται σε αναμονή για τη λειτουργία αποπάγωσης.	Είναι μια φυσιολογική κατάσταση και ο αφυγραντήρας διαθέτει μια λειτουργία αυτόματης απόψυξης.
Αν δεν βρείτε λύση στο πρόβλημά σας στον πίνακα, επικοινωνήστε με την υπηρεσία τεχνικής βοήθειας		



Η συσκευή περιέχει εύφλεκτο ψυκτικό μέσο.

Για τις εκδοχές ΕΕ της συσκευής και/ή εφόσον ισχύουν τα παρακάτω στη χώρα σας:

Οικολογία και ανακυκλωσιμότητα του προϊόντος

- ♦ Τα υλικά που απαρτίζουν τη συσκευασία αυτής της συσκευής, συμμετέχουν σε πρόγραμμα αποκομιδής, ταξινόμησης και ανακύκλωσης τους. Αν θέλετε να απαλλαγείτε από αυτά τα υλικά, μπορείτε να χρησιμοποιήσετε τους δημόσιους κάδους που ενδείκνυνται για κάθε είδος υλικού. Το προϊόν δεν περιέχει συγκεντρώσεις ουσιών που μπορούν να θεωρηθούν επικίνδυνες για το περιβάλλον.



Αυτό το σύμβολο σημαίνει ότι εάν θέλετε να απαλλαγείτε από το προϊόν, όταν έχει ολοκληρωθεί ο κύκλος ζωής του, αφείλετε να το αναποθέσετε, με τα κατάλληλα μέσα, στα χέρια ενός διαχειριστή αποβλήτων, εγκεκριμένου για την επιλεκτική συλλογή αποβλήτων ειδών ηλεκτρικού και ηλεκτρονικού εξοπλισμού (ΑΗΗΕ).

ΕΓΓΥΗΣΗ ΚΑΙ ΤΕΧΝΙΚΗ ΥΠΟΣΤΗΡΙΞΗ

- ♦ Το παρόν προϊόν αναγνωρίζεται και προστατεύεται από τη νόμιμη εγγύηση συμμόρφωσης προς την ισχύουσα νομοθεσία. Για να διεκδικήσετε τα δικαιώματά ή συμφερόντά σας πρέπει να απευθυνθείτε σε οποιοδήποτε από τα επίσημα γραφεία μας τεχνικής υποστήριξης.
- ♦ Για να βρείτε το πιο κοντινό σε εσάς, ανατρέξτε στην ιστοσελίδα: <http://www.2hel-ru.com/> Μπορείτε επίσης να ζητήσετε πληροφορίες, επικοινωνώντας μαζί μας (συμβουλευτείτε την τελευταία σελίδα του εγχειριδίου). Μπορείτε να «κατεβάσετε» από το διαδίκτυο το παρόν εγχειρίδιο οδηγιών και τις σχετικές ενημερώσεις του στο <http://www.2helru.com/>

ΟΔΗΓΙΕΣ ΓΙΑ ΤΗΝ ΕΠΙΣΚΕΥΗ ΗΛΕΚΤΡΙΚΩΝ ΣΥΣΚΕΥΩΝ ΠΟΥ ΠΕΡΙΕΧΟΥΝ R290

ΓΕΝΙΚΕΣ ΟΔΗΓΙΕΣ Έλεγχου στη γύρω περιοχή

- ♦ Προτού αρχίσετε να εργάζεστε σε συστήματα που περιέχουν εύφλεκτα ψυκτικά μέσα, απαιτούνται έλεγχοι ασφαλείας ώστε να είναι βέβαιη η ελαχιστοποίηση του κινδύνου ανάφλεξης. Για την επισκευή του συστήματος ψύξης, πρέπει να πληρούνται οι ακόλουθες προφυλάξεις προτού διενεργηθούν εργασίες στο σύστημα.

Διαδικασία εργασιών

- ♦ Η εργασία πραγματοποιείται σύμφωνα με ελεγχόμενη διαδικασία ώστε να ελαχιστοποιείται ο κίνδυνος παρουσίας εύφλεκτου αερίου ή ατμού για όσο διενεργείται η εργασία.

Ευρύτερη περιοχή εργασίας

- ♦ Κάθε μέλος του προσωπικού συντήρησης και άλλα άτομα που εργάζονται στην περιοχή επιτόπου λαμβάνουν οδηγίες για τη φύση της εργασίας που πραγματοποιείται. Πρέπει να αποφεύγονται εργασίες σε κλειστό χώρο. Η περιοχή γύρω από τον χώρο εργασίας χωρίζεται σε τμήματα. Βεβαιωθείτε ότι οι συνθήκες εντός της περιοχής είναι ασφαλείς, μέσω του ελέγχου του εύφλεκτου υλικού.

Επαλήθευση της παρουσίας ψυκτικού μέσου

- ♦ Η περιοχή πρέπει να ελέγχεται με κατάλληλο ανιχνευτή πριν και κατά τη διάρκεια της εργασίας για να διασφαλίζεται ότι ο τεχνικός γνωρίζει τις πιθανά εύφλεκες ατμόσφαιρες. Βεβαιωθείτε ότι ο χρησιμοποιούμενος εξοπλισμός ασφαλείας κατά διαρροών είναι κατάλληλος για χρήση σε ψυκτικά μέσα, δηλαδή, αντιθαμβωτικός, με κατάλληλη σφράγιση ή εγγενώς ασφαλής.

Παρουσία πυροσβεστήρα

- ♦ Αν πρόκειται να γίνει εργασία εν θερμώ στη συσκευή ψύξης ή σε οποιοδήποτε συνδεδεμένο εξάρτημα, πρέπει να κρατάτε κατάλληλο εξοπλισμό ανά χείρας για την κατάσβεση της φωτιάς. Να έχετε πυροσβεστήρα ξηρής σκόνης ή CO2 δίπλα ακριβώς στον χώρο φόρτισης.

Χωρίς πηγές ανάφλεξης

- ♦ Οποιοσδήποτε διενεργεί εργασία σε σχέση με σύστημα ψύξης η οποία συνεπάγεται την έκθεση οποιασδήποτε εργασίας αγωγών που περιέχουν ή περιείχαν εύφλεκτο ψυκτικό μέσο δεν πρέπει να χρησιμοποιεί καμία πηγή ανάφλεξης με τρόπο που θα μπορούσε να προκαλέσει πυρκαγιά ή έκρηξη. Όλες οι πιθανές πηγές ανάφλεξης, ακόμη και τα τσιγάρα, πρέπει να διατηρούνται αρκετά μακριά από τον τόπο εγκατάστασης, επισκευής και διάθεσης, γιατί κατά τη διάρκεια τους μπορεί να ελευθερωθεί εύφλεκτο ψυκτικό μέσο στον γύρω χώρο. Πριν τη διενέργεια της εργασίας, πρέπει να ελεγχθεί η περιοχή γύρω από τη συσκευή, ώστε να είναι σίγουρο ότι δεν υπάρχουν κίνδυνοι φωτιάς ή ανάφλεξης. Θα προβάλλεται η ένδειξη «Απαγορεύεται το κάπνισμα».

Εξαερισμός χώρου

- ♦ Βεβαιωθείτε ότι ο χώρος είναι ανοιχτός ή ότι ο εξαερισμός του είναι επαρκής πριν εισέλθετε στο σύστημα ή πραγματοποιήσετε οποιαδήποτε εργασία εν θερμώ. Ένας βαθμός εξαερισμού συνεχίζει να υπάρχει για όσο πραγματοποιείται η εργασία. Ο εξαερισμός πρέπει να διαλύει με ασφάλεια όποιο ψυκτικό μέσο ελευθερώνεται και, κατά προτίμηση, να το διώχνει έξω στην ατμόσφαιρα.

Έλεγχος στον εξοπλισμό ψύξης

- ♦ Όταν αλλάζουν ηλεκτρικά εξαρτήματα, πρέπει να είναι κατάλληλα για τον σκοπό και να έχουν τις σωστές προδιαγραφές. Ανά πάσα στιγμή πρέπει να τηρούνται τα διαστήματα συντήρησης και επισκευής του κατασκευαστή. Σε περίπτωση αμφιβολίας, συμβουλευτείτε το τεχνικό τμήμα κατασκευαστή για να σας βοηθήσει. Οι ακόλουθοι έλεγχοι ισχύουν για τις εγκαταστάσεις που χρησιμοποιούν εύφλεκτα ψυκτικά μέσα: ο βαθμός φόρτισης συμβαδίζει με το μέγεθος του δωματίου στο οποίο

εγκαθίστανται τα εξαρτήματα που περιέχουν ψυκτικό μέσο· τα μηχανήματα εξαιρισμού και οι εξόδοι λειτουργούν σωστά και δεν παρεμποδίζονται· αν χρησιμοποιείται έμμεσο ψυκτικό κύκλωμα, πρέπει να ελέγχεται η παρουσία ψυκτικού μέσου στο δευτερεύον κύκλωμα· οι επισημάνσεις στη συσκευή εξακολουθούν να είναι ορατές και ευανάγνωστες. Επισημάνσεις και σήματα που δεν είναι ευανάγνωστα πρέπει να διορθώνονται· οι αεραγωγοί ή τα εξαρτήματα ψύξης εγκαθίστανται σε θέση όπου είναι απίθανο να εκτεθούν σε οποιαδήποτε ουσία η οποία θα μπορούσε να διαβρώσει το εξάρτημα που περιέχει ψυκτικό μέσο, εκτός αν τα εξαρτήματα έχουν κατασκευαστεί με υλικά που είναι εγγενώς ανθεκτικά στη διάβρωση ή που έχουν την κατάλληλη προστασία κατά της διάβρωσης.

Έλεγχος σε ηλεκτρικές διατάξεις

- ♦ Η επισκευή και συντήρηση των ηλεκτρικών εξαρτημάτων πρέπει να περιλαμβάνουν αρχικούς ελέγχους ασφαλείας και διαδικασίες επιθεώρησης εξαρτημάτων. Αν υπάρχουν βλάβες που θα μπορούσαν να δημιουργήσουν πρόβλημα ασφαλείας, τότε δεν πρέπει να συνδέεται καμία ηλεκτρική παροχή στο κύκλωμα, μέχρι που το πρόβλημα να έχει επιλυθεί ικανοποιητικά. Αν η βλάβη δεν μπορεί να επιδιορθωθεί αμέσως, αλλά είναι αναγκαία η συνεχής λειτουργία, πρέπει να χρησιμοποιηθεί μια προσωρινή ικανοποιητική λύση.
- ♦ Ο ιδιοκτήτης της συσκευής θα ενημερωθεί για να ενημερώσει όλα τα μέρη.
- ♦ Οι αρχικοί έλεγχοι ασφαλείας πρέπει να προβλέπουν: ότι οι πυκνωτές είναι αποφορτισμένοι: αυτό πρέπει να γίνεται με ασφάλεια ώστε να αποφεύγεται η πιθανότητα δημιουργίας σπινθίρας· ότι δεν υπάρχουν καλώδια και ενεργά ηλεκτρικά εξαρτήματα κατά τη διάρκεια της φόρτισης, ανάκτησης ή καθαρισμού του συστήματος· ότι υπάρχει συνέχεια της γείωσης.

ΕΠΙΣΚΕΥΕΣ ΣΦΡΑΓΙΣΜΕΝΩΝ ΕΞΑΡΤΗΜΑΤΩΝ

- ♦ Κατά τη διάρκεια των επισκευών σφραγισμένων εξαρτημάτων, όλες οι ηλεκτρικές παροχές πρέπει να αποσυνδέονται από τη συσκευή στην οποία γίνονται εργασίες προτού αφαιρεθούν τα σφραγισμένα καλύμματα, κ.λπ. Αν είναι απολύτως απαραίτητο να υπάρχει ηλεκτρική παροχή στη συσκευή κατά τη διάρκεια της επισκευής, τότε μια μορφή μόνιμης λειτουργίας της ανίχνευσης διαρροών πρέπει να τοποθετηθεί στο πιο καίριο σημείο, ως μέσο προειδοποίησης για μια ενδεχομένως επικίνδυνη κατάσταση.
- ♦ Πρέπει να δίνεται ειδικά προσοχή στο ακόλουθο για να διασφαλίζεται ότι, όταν γίνονται εργασίες με ηλεκτρικά εξαρτήματα, το περιβάλλον δεν αλλάζει τόσο ώστε να επηρεάζεται το επίπεδο προστασίας. Η προσοχή περιλαμβάνει βλάβες στα καλώδια, υπερβολικά μεγάλο αριθμό συνδέσεων, τερματικά που δεν έγιναν σύμφωνα με την αρχική προδιαγραφή, βλάβες στις συζεύξεις, εσφαλμένη προσαρμογή στυπιοθλιπτιών, κ.λπ.
- ♦ Βεβαιωθείτε ότι η συσκευή έχει συναρμολογηθεί με ασφαλή τρόπο. Βεβαιωθείτε ότι οι συζεύξεις ή τα υλικά σφράγισης δεν χάλασαν έτσι ώστε να μην λειτουργούν πια ως προσκόμματα στην είσοδο εύφλεκτων ατμοσφαιρών. Τα ανταλλακτικά πρέπει να συμφωνούν με τις προδιαγραφές του κατασκευαστή.
- ♦ ΣΗΜΕΙΩΣΗ Η χρήση συσκευών σφράγισης με σιλικόνη μπορεί να παρεμποδίσει την αποτελεσματικότητα ορισμένων ειδών συσκευών ανίχνευσης διαρροών. Τα εγγενώς ασφαλή εξαρτήματα δεν χρειάζεται να απομονωθούν πριν δουλέψετε σε αυτά.

ΕΠΙΣΚΕΥΗ ΕΞΑΡΤΗΜΑΤΩΝ ΕΓΓΕΝΩΣ ΑΣΦΑΛΩΝ

- ♦ Μην εφαρμόζετε φόρτιση επαγωγική ή ηλεκτρικής χωρητικότητας σε μόνιμη βάση στο κύκλωμα προτού βεβαιωθείτε ότι δεν υπερβαίνει την τάση και το ρεύμα που επιτρέπονται για την εν λόγω συσκευή.
- ♦ Τα εγγενώς ασφαλή εξαρτήματα είναι τα μόνα είδη στα οποία μπορούν να γίνονται εργασίες ενώ επικρατεί εύφλεκτη ατμόσφαιρα. Η συσκευή δοκιμής πρέπει να διαθέτει την κατάλληλη πιστοποίηση. Αντικαταστήστε τα εξαρτήματα μόνο με ανταλλακτικά που προτείνει ο κατασκευαστής. Άλλα ανταλλακτικά ενδέχεται να προκαλέσουν ανάφλεξη του ψυκτικού μέσου λόγω διαρροής.

ΚΑΛΩΔΙΩΣΗ

- ♦ Ελέγξτε ότι η καλωδίωση δεν έχει υποστεί φθορά, διάβρωση, υπερβολική πίεση, ταλαντώσεις, τα καλώδια δεν έχουν αιχμηρά άκρα ή δεν έχουν υποστεί οποιαδήποτε άλλη αρνητική επίπτωση από το περιβάλλον. Ο έλεγχος θα λαμβάνει επίσης υπόψη τις επιπτώσεις λόγω παλαιώσης ή τη συνεχή ταλάντωση από πηγές όπως συμπυκνωτές ή εξεριστήρες.

ΑΝΙΧΝΕΥΣΗ ΕΥΦΛΕΚΤΩΝ ΨΥΚΤΙΚΩΝ ΜΕΣΩΝ.

- ♦ Σε καμία περίπτωση δεν πρέπει να χρησιμοποιούνται πηγές πιθανής ανάφλεξης κατά την αναζήτηση ή ανίχνευση διαρροών ψυκτικού μέσου. Δεν πρέπει να χρησιμοποιείται φακός αλογονιδίου (ή οποιοσδήποτε άλλος ανιχνευτής που χρησιμοποιεί γυμνή φλόγα).

ΜΕΘΟΔΟΙ ΑΝΙΧΝΕΥΣΗΣ ΔΙΑΡΡΟΩΝ

- ♦ Οι ακόλουθες μέθοδοι ανίχνευσης διαρροών θεωρούνται αποδεκτές για τα συστήματα που περιέχουν εύφλεκτα ψυκτικά μέσα. Πρέπει να χρησιμοποιούνται ηλεκτρονικοί

ανιχνευτές διαρροών για την ανίχνευση εύφλεκτων ψυκτικών μέσων, αλλά η ευαισθησία μπορεί να μην είναι κατάλληλη ή μπορεί να απαιτεί επαναδιακρίβωση. (Η συσκευή ανίχνευσης πρέπει να υπόκειται σε διακρίβωση σε μια περιοχή χωρίς ψυκτικό μέσο). Βεβαιωθείτε ότι ο ανιχνευτής δεν συνιστά πιθανή πηγή ανάφλεξης και ότι είναι κατάλληλος για το ψυκτικό μέσο που χρησιμοποιείται. Η συσκευή ανίχνευσης διαρροών προσαρμόζεται σε ένα ποσοστό του LFL του ψυκτικού μέσου και υπόκειται διακρίβωση με το ψυκτικό μέσο να έχει χρησιμοποιηθεί, αλλά και επιβεβαιώνεται το κατάλληλο ποσοστό του αερίου (μέγιστο του 25 %). Τα υγρά ανίχνευσης διαρροών ενδείκνυνται να χρησιμοποιούνται στην πλειοψηφία των ψυκτικών μέσων, όμως πρέπει να αποφεύγεται η χρήση απορρυπαντικών που περιέχουν χλώριο, επειδή το χλώριο μπορεί να αντιδράσει με το ψυκτικό υγρό και να διαβρώσει τους χάλκινους αγωγούς. Αν υπάρχει υπόνοια για διαρροή, όλες οι γυμνές φλόγες πρέπει να εκλείψουν / σβήσουν. Αν συναντήσετε διαρροή ψυκτικού μέσου που απαιτεί συγκόλληση εν θερμώ, όλο το ψυκτικό μέσο πρέπει να ανακτηθεί από το σύστημα ή να απομονωθεί (με βαλβίδες διακοπής ροής) σε ένα τμήμα του συστήματος, μακριά από τη διαρροή.

- ♦ Το απηλλαγμένο οξυγόνου άζωτο (OFN) πρέπει να καθαρίζεται διαμέσου του συστήματος πριν και κατά τη διάρκεια της διαδικασίας της συγκόλλησης εν θερμώ.

ΑΦΑΙΡΕΣΗ ΚΑΙ ΕΚΚΕΝΩΣΗ

- ♦ Όταν διακοπεί το κύκλωμα του ψυκτικού μέσου με σκοπό την επισκευή ή για οποιοδήποτε άλλο λόγο, πρέπει να χρησιμοποιούνται συμβατικές διαδικασίες. Βέβαια, είναι σημαντικό να ακολουθούνται οι καλύτερες δυνατές πρακτικές επειδή η αναφλεξιμότητα είναι ένα ενδεχόμενο. Πρέπει να τηρείται η ακόλουθη διαδικασία: διάθεση του ψυκτικού μέσου, καθαρισμός του κυκλώματος με ευγενές αέριο· εκ νέου καθαρισμός με ευγενές αέριο· άνοιγμα του κυκλώματος κόβοντάς το ή συγκολλώντας το. Η φόρτιση του ψυκτικού μέσου θα ανακτηθεί στους σωστούς κυλίνδρους ανάκτησης. Το σύστημα «καθαρίζεται» με OFN ώστε η μονάδα να είναι ασφαλής. Αυτή η διαδικασία μπορεί να χρειαστεί να επαναληφθεί αρκετές φορές. Δεν πρέπει να χρησιμοποιείται για αυτόν τον σκοπό πιεσμένος αέρας ή οξυγόνο. Η έκπλυση πρέπει να επιτευχθεί διακόπτοντας το κενό στο σύστημα με OFN και στη συνέχεια γεμίζοντας μέχρι να επιτευχθεί η πίεση εργασίας, μετά εκλύεται στην ατμόσφαιρα και τελικά περιορίζεται στο κενό. Αυτή η διαδικασία επαναλαμβάνεται μέχρι να μην υπάρχει ψυκτικό μέσο μέσα στο σύστημα. Όταν χρησιμοποιείται η τελική φόρτιση του OFN το σύστημα πρέπει να αποφορτίζεται στην ατμοσφαιρική ατμόσφαιρα ώστε να επιτρέπεται η διενέργεια των εργασιών. Αυτή η διαδικασία είναι απολύτως αναγκαία αν πρόκειται να γίνουν διαδικασίες συγκόλλησης εν θερμώ στους αγωγούς. Βεβαιωθείτε ότι η έξοδος της αντλίας κενού δεν βρίσκεται κοντά σε κάποια πηγή ανάφλεξης και ότι υπάρχει διαθέσιμος εξερισμός.

ΔΙΑΔΙΚΑΣΙΑ ΦΟΡΤΙΣΗΣ

- ♦ Εκτός από τις συμβατικές διαδικασίες φόρτισης, πρέπει να τηρούνται οι ακόλουθες απαιτήσεις.
- ♦ Βεβαιωθείτε ότι δεν υπάρχει ρύπανση από διαφορετικά είδη ψυκτικών μέσων, όταν χρησιμοποιείτε τη συσκευή φόρτισης. Οι σωλήνες ή οι γραμμές πρέπει να είναι όσο πιο κοντές γίνεται για να ελαχιστοποιείται η ποσότητα ψυκτικού μέσου που περιέχουν.
- ♦ Οι κύλινδροι πρέπει να διατηρούνται σε κάθετη θέση.
- ♦ Βεβαιωθείτε ότι το σύστημα ψύξης είναι γειωμένο πριν φορτίσετε το σύστημα με ψυκτικό μέσο.
- ♦ Αναρτήστε ετικέτα στο σύστημα όταν ολοκληρωθεί η φόρτιση (αν δεν υπάρχει).
- ♦ Πρέπει να είστε εξαιρετικά προσεκτικοί να μην υπερπληρώσετε το σύστημα ψύξης.
- ♦ Πριν επαναφορτίσετε το σύστημα, δοκιμάστε το ως προς την πίεση με OFN. Το σύστημα δοκιμάζεται κατά διαρροών όταν ολοκληρωθεί η φόρτιση, όμως πριν τεθεί σε λειτουργία. Πρέπει να πραγματοποιήσετε επαναληπτική δοκιμή διαρροής, πριν φύγετε από το μέρος.

ΑΠΟΣΥΝΑΡΜΟΛΟΓΗΣΗ

- ♦ Πριν ολοκληρωθεί η διαδικασία, είναι σημαντικό ο τεχνικός να γνωρίζει πολύ καλά τη συσκευή και όλες τις λεπτομέρειες της. Η ανάκτηση όλων των ψυκτικών
- ♦ μέσων με ασφάλεια προτείνεται ως ορθή πρακτική. Πριν ολοκληρωθεί η εργασία, λαμβάνεται δείγμα λαδιού και ψυκτικού μέσου για την περίπτωση όπου απαιτηθεί ανάλυση πριν επαναχρησιμοποιηθεί το ψυκτικό μέσο που ανανεώθηκε. Είναι σημαντικό να είναι διαθέσιμη ηλεκτρική ενέργεια πριν την έναρξη της εργασίας.
- ♦ a) Να γνωρίζετε καλά τη συσκευή και τη λειτουργία της.
- ♦ b) Να απομονώσετε τη συσκευή από την ηλεκτρική ενέργεια.
- ♦ c) Πριν ξεκινήσετε τη διαδικασία, βεβαιωθείτε ότι: η συσκευή μηχανικού χειρισμού είναι στη διάθεσή σας, αν τη χρειαστείτε, για τον χειρισμό κυλίνδρων ψυκτικού μέσου· ότι ολόκληρος ο εξοπλισμός προσωπικής προστασίας· είναι στη διάθεσή σας και χρησιμοποιείται σωστά· ότι η διαδικασία ανάκτησης ελέγχεται ανά πάσα στιγμή από έναν υπεύθυνο·
- ♦ ότι οι εξοπλισμοί και οι κύλινδροι ανάκτησης συμμορφώνονται με τα ενδεδειγμένα πρότυπα.
- ♦ d) Αντλείστε το σύστημα του ψυκτικού μέσου, αν είναι δυνατό.
- ♦ e) Αν το κενό δεν είναι δυνατό, δημιουργήστε έναν συλλέκτη ώστε το ψυκτικό μέσο να

εξαχθεί με δόσεις από το σύστημα.

- ♦ f) Βεβαιωθείτε ότι ο κύλινδρος βρίσκεται τοποθετημένος στην πλάστιγγα πριν πραγματοποιηθεί η ανάκτηση.
- ♦ g) Βάλτε μπροστά το μηχανήμα ανάκτησης και λειτουργήστε το σύμφωνα με τις οδηγίες του κατασκευαστή.
- ♦ h) Μη γεμίσετε παραπάνω τους κυλίνδρους. (Όχι περισσότερο από το 80% του όγκου υγρής φόρτισης).
- ♦ i) Να μην υπερβαίνεται η μέγιστη πίεση εργασίας του κυλίνδρου, ούτε καν προσωρινά.
- ♦ j) Όταν οι κύλινδροι έχουν γεμίσει σωστά και έχει ολοκληρωθεί η διαδικασία, βεβαιωθείτε ότι οι κύλινδροι και ο εξοπλισμός θα απομακρυνθούν αμέσως από το μέρος, και ότι όλες οι βαλβίδες απομόνωσης της συσκευής είναι κλειστές.
- ♦ k) Το ανακτηθέν ψυκτικό μέσο δεν πρέπει να τοποθετείται σε άλλο σύστημα ψύξης παρά μόνο αφού καθαριστεί και ελεγχθεί.

ΕΠΙΣΗΜΑΝΣΗ

- ♦ Η συσκευή πρέπει να φέρει επισήμανση που να αναγράφει ότι απενεργοποιήθηκε και αδειάστηκε από το ψυκτικό μέσο της. Στην ετικέτα πρέπει να αναγράφεται η ημερομηνία και να υπάρχει υπογραφή.
- ♦ Βεβαιωθείτε ότι υπάρχουν ετικέτες στη συσκευή που αναφέρουν ότι η συσκευή περιέχει εύφλεκτο ψυκτικό μέσο.

ΑΝΑΚΤΗΣΗ

- ♦ Όταν απομακρύνεται το ψυκτικό μέσο από ένα σύστημα, είτε πρόκειται για συντήρηση είτε για κλείσιμο, προτείνεται μια ορθή πρακτική για την ασφαλή διάθεση όλων των ψυκτικών μέσων. Κατά τη μεταφορά ψυκτικού μέσου στους κυλίνδρους, βεβαιωθείτε ότι χρησιμοποιούνται αποκλειστικά κύλινδροι ανάκτησης των κατάλληλων ψυκτικών μέσων. Βεβαιωθείτε ότι διατίθεται η σωστή ποσότητα κυλίνδρων για τη συγκράτηση του συνόλου της φόρτισης του συστήματος. Όλοι οι κύλινδροι που θα χρησιμοποιηθούν έχουν σχεδιαστεί για το ανακτηθέν ψυκτικό μέσο και στις ετικέτες αναγράφεται το εν λόγω ψυκτικό μέσο (δηλαδή, ειδικοί κύλινδροι για την ανάκτηση του ψυκτικού μέσου). Οι κύλινδροι πρέπει να είναι πλήρεις, συνδεδεμένοι με βαλβίδα αποσυμπίεσης και βαλβίδες διακοπής ροής σε καλή κατάσταση λειτουργίας. Οι κενοί κύλινδροι ανάκτησης εκκενώνονται, αν είναι δυνατό, ψύχονται πριν από την ανάκτηση.
- ♦ Η συσκευή ανάκτησης πρέπει να βρίσκεται σε καλή κατάσταση λειτουργίας με σύνολο οδηγιών σχετικά με τη συσκευή που κρατάτε ανά χείρας, και πρέπει να είναι κατάλληλη για την ανάκτηση εύφλεκτων ψυκτικών μέσων. Επιπλέον, πρέπει να διαθέτει διακριβωμένη πλάστιγγα και καλή κατάσταση λειτουργίας. Οι σωληνώσεις πρέπει είναι πλήρεις συζεύξεων αποσύνδεσης απαλλαγμένων από διαρροές και σε καλή κατάσταση. Προτού χρησιμοποιηθεί η μηχανή ανάκτησης, βεβαιωθείτε ότι βρίσκεται σε καλή κατάσταση λειτουργίας, ότι έχει συντηρηθεί σωστά και ότι όλα τα σχετικά ηλεκτρικά εξαρτήματα είναι σφραγισμένα ώστε να αποφευχθεί πυρκαγιά σε περίπτωση που απελευθερωθεί ψυκτικό μέσο. Συμβουλευτείτε τον κατασκευαστή, σε περίπτωση αμφιβολιών. Το ανακτηθέν ψυκτικό μέσο θα επιστρέφεται στον προμηθευτή του ψυκτικού μέσου στον σωστό κύλινδρο ανάκτησης, και θα τοποθετείται το αντίστοιχο σημείωμα μεταφοράς αποβλήτων. Μην αναμειγνύετε ψυκτικά μέσα σε μονάδες ανάκτησης, και ειδικά όχι σε κυλίνδρους.
- ♦ Αν οι συμπίεστές ή τα λάδια των συμπιεστών πρέπει να απομακρυνθούν, βεβαιωθείτε ότι οι συμπίεστές εκκενώθηκαν σε αποδεκτό επίπεδο ώστε να είστε σίγουροι ότι το εύφλεκτο μέσο δεν παραμένει εντός του λιπαντικού. Η διαδικασία εκκένωσης πραγματοποιείται πριν από την επιστροφή του συμπίεστη στους προμηθευτές. Για να επαχυνθεί αυτή η διαδικασία, πρέπει να χρησιμοποιείται μόνο ηλεκτρική θέρμανση στο σώμα του συμπυκνωτή. Η εξαγωγή του λαδιού από το σύστημα πρέπει να γίνεται με ασφάλεια.

Επάρκεια του προσωπικού επισκευής

Γενικά

- ♦ Όταν έχει βλάβη συσκευή με εύφλεκτα ψυκτικά μέσα, απαιτείται ειδική κατάρτιση, επιπρόσθετη σε σχέση με τις συνηθισμένες διαδικασίες ανάκτησης εξαρτημάτων ψύξης.
- ♦ Σε πολλές χώρες, αυτή η κατάρτιση παρέχεται από εθνικούς οργανισμούς κατάρτισης, πιστοποιημένους να διδάσκουν τους σχετικούς κανόνες εθνικής αρμοδιότητας οι οποίοι μπορούν να νομοθετηθούν.
- ♦ Η επάρκεια που αποκτάται πρέπει να τεκμηριώνεται από ένα πιστοποιητικό.

Εκπαίδευση

Η κατάρτιση πρέπει να περιλαμβάνει τα εξής:

- ♦ Πληροφορίες για τη δυνατότητα έκρηξης των εύφλεκτων ψυκτικών μέσων που να καταδεικνύουν ότι τα εύφλεκτα προϊόντα μπορεί να είναι επικίνδυνα, αν κανείς τα χειριστεί απρόσεκτα.
- ♦ Πληροφορίες σχετικά με πιθανές πηγές ανάφλεξης, ειδικά εκείνες που δεν είναι

προφανείς, όπως αναπτήρες, διακόπτες φωτός, ηλεκτρικές σκούπες, ηλεκτρικά θερμαντικά σώματα.

- ♦ Πληροφορίες για διάφορα θέματα ασφάλειας:
- ♦ Χωρίς εξερισμό (βλ. ρήτρα GG.2) Η ασφάλεια της συσκευής δεν εξαρτάται από τον εξερισμό του περιβλήματος. Η αποσύνδεση της συσκευής ή το άνοιγμα του περιβλήματος δεν έχει καμία σημαντική επίπτωση στην ασφάλεια. Ωστόσο, μπορεί να συσσωρευτεί ψυκτικό μέσο με διαρροές μέσα στην καμπίνα και να απελευθερωθεί εύφλεκτη ατμόσφαιρα μόλις ανοίξει η καμπίνα.
- ♦ Κλειστός χώρος με εξερισμό (βλ. ρήτρα GG.4) Η ασφάλεια της συσκευής εξαρτάται από τον εξερισμό του περιβλήματος. Η αποσύνδεση της συσκευής ή το άνοιγμα του ερμαριού έχει σημαντική επίπτωση στην ασφάλεια. Χρειάζεται προσοχή για τη διασφάλιση επαρκούς εξερισμού εκ των προτέρων.
- ♦ Αίθουσα με εξερισμό (βλ. ρήτρα GG.5) Η ασφάλεια της συσκευής εξαρτάται από τον εξερισμό του δωματίου. Η αποσύνδεση της συσκευής ή το άνοιγμα του περιβλήματος δεν έχει καμία σημαντική επίπτωση στην ασφάλεια. Ο εξερισμός του δωματίου δεν θα αποσυνδεθεί κατά τη διάρκεια της διαδικασίας επισκευής.
- ♦ Πληροφορίες για το θέμα των σφραγισμένων εξαρτημάτων και των σφραγισμένων περιβλημάτων σύμφωνα με το IEC 6007915: 2010.
- ♦ Πληροφορίες για τις σωστές διαδικασίες εργασίας:

Θέση σε λειτουργία

- ♦ Βεβαιωθείτε ότι η περιοχή είναι επαρκής για τη φόρτιση του ψυκτικού μέσου ή ότι ο αγωγός εξερισμού έχει συναρμολογηθεί σωστά.
- ♦ Συνδέστε τους αγωγούς και προβείτε σε δοκιμή διαρροών πριν φορτίσετε το ψυκτικό μέσο.
- ♦ Ελέγξτε τον εξοπλισμό ασφαλείας πριν τη χρήση του.

Συντήρηση

- ♦ Η φορητή συσκευή πρέπει να επισκευάζεται στο ύπαιθρο ή σε εργαστήριο ειδικά εξοπλισμένο για την επισκευή μονάδων με εύφλεκτα ψυκτικά μέσα.
- ♦ Εξασφαλίστε επαρκή εξερισμό στον χώρο επισκευής.
- ♦ Να ξέρετε ότι η κακή λειτουργία της συσκευής μπορεί να οφείλεται στην απώλεια ψυκτικού μέσου και ενδέχεται να υπάρχει διαρροή ψυκτικού μέσου.
- ♦ Αποφορτίστε τους συμπυκνωτές ώστε να μη δημιουργηθούν σπίθιες. Η τυποποιημένη διαδικασία για να παρακαμφθούν τα θερματικά του συμπυκνωτή γενικά δημιουργεί σπίθιες.
- ♦ Επανατοποθετήστε τα σφραγισμένα ερμαρία με ακρίβεια. Αν έχει χαλάσει η σφράγιση, αντικαταστήστε τα.
- ♦ Ελέγξτε τον εξοπλισμό ασφαλείας πριν τη χρήση του.

Επισκευή

- ♦ Η φορητή συσκευή πρέπει να επισκευάζεται στο ύπαιθρο ή σε εργαστήριο ειδικά εξοπλισμένο για την επισκευή μονάδων με εύφλεκτα ψυκτικά μέσα.
- ♦ Εξασφαλίστε επαρκή εξερισμό στον χώρο επισκευής.
- ♦ Να ξέρετε ότι η κακή λειτουργία της συσκευής μπορεί να οφείλεται στην απώλεια ψυκτικού μέσου και ενδέχεται να υπάρχει διαρροή ψυκτικού μέσου.
- ♦ Αποφορτίστε τους συμπυκνωτές ώστε να μην δημιουργηθούν σπίθιες.
- ♦ Όταν είναι αναγκαία συγκόλληση εν θερμώ, πραγματοποιούνται οι ακόλουθες διαδικασίες στη σωστή σειρά:
- ♦ Αφαιρέστε το ψυκτικό μέσο. Αν οι εθνικοί κανονισμοί δεν απαιτούν ανάκτηση, αντλήστε το ψυκτικό μέσο προς τα έξω. Προσέξτε να μην προκαλέσει κίνδυνο το αντλημένο ψυκτικό μέσο. Σε περίπτωση αμφιβολιών, κάποιος πρέπει να φυλάσσει την έξοδο. Χρειάζεται ιδιαίτερη προσοχή ώστε το ψυκτικό μέσο να μην αιωρείται εκ νέου εντός του κτιρίου.
- ♦ Εκκενώστε το κύκλωμα του ψυκτικού μέσου.
- ♦ Καθαρίστε το κύκλωμα του ψυκτικού μέσου με άζωτο για 5 λεπτά.
- ♦ Εκκενώστε εκ νέου.
- ♦ Αφαιρέστε τα εξαρτήματα που θα αντικατασταθούν κόβοντας, όχι με φλόγα.
- ♦ Καθαρίστε το σημείο συγκόλλησης με άζωτο κατά τη διαδικασία της συγκόλλησης εν θερμώ.
- ♦ Προβείτε σε δοκιμή διαρροών πριν φορτίσετε το ψυκτικό μέσο.
- ♦ Επανατοποθετήστε τα σφραγισμένα ερμαρία με ακρίβεια. Αν έχει χαλάσει η σφράγιση, αντικαταστήστε την.
- ♦ Ελέγξτε τον εξοπλισμό ασφαλείας πριν τη χρήση του.

Αποσυναρμολόγηση

- ♦ Αν υπάρξει πρόβλημα ασφαλείας όταν η συσκευή τεθεί εκτός λειτουργίας, το ψυκτικό μέσο θα πρέπει να διατεθεί πριν το κλείσιμο.
- ♦ Εξασφαλίστε επαρκή εξερισμό στον χώρο όπου βρίσκεται η συσκευή.
- ♦ Να ξέρετε ότι η κακή λειτουργία της συσκευής μπορεί να οφείλεται στην απώλεια

ψυκτικού μέσου και ενδέχεται να υπάρχει διαρροή ψυκτικού μέσου.

- ♦ Αποφορτίστε τους συμπυκνωτές ώστε να μην δημιουργηθούν σπίβες.
- ♦ Αφαιρέστε το ψυκτικό μέσο. Αν οι εθνικοί κανονισμοί δεν απαιτούν ανάκτηση, αντλήστε το ψυκτικό μέσο προς τα έξω. Προσέξτε να μην προκαλέσει κίνδυνο το αντλημένο ψυκτικό μέσο. Σε περίπτωση αμφιβολιών, κάποιος πρέπει να φυλάσσει την έξοδο. Χρειάζεται ιδιαίτερη προσοχή ώστε το ψυκτικό μέσο να μην αιωρείται εκ νέου εντός του κτιρίου.
- ♦ Εκκενώστε το κύκλωμα του ψυκτικού μέσου.
- ♦ Καθαρίστε το κύκλωμα του ψυκτικού μέσου με άζωτο για 5 λεπτά.
- ♦ Εκκενώστε εκ νέου.
- ♦ Γεμίστε με άζωτο μέχρι την ατμοσφαιρική πίεση.
- ♦ Τοποθετήστε μια ετικέτα στη συσκευή που να αναγράφει ότι αφαιρέθηκε το ψυκτικό μέσο.

ΔΙΑΘΕΣΗ

- ♦ Εξασφαλίστε επαρκή εξαερισμό στον χώρο εργασιών.
- ♦ Αφαιρέστε το ψυκτικό μέσο. Αν οι εθνικοί κανονισμοί δεν απαιτούν ανάκτηση, αντλήστε το ψυκτικό μέσο προς τα έξω. Προσέξτε να μην προκαλέσει κίνδυνο το αντλημένο ψυκτικό μέσο. Σε περίπτωση αμφιβολιών, κάποιος πρέπει να φυλάσσει την έξοδο. Χρειάζεται ιδιαίτερη προσοχή ώστε το ψυκτικό μέσο να μην αιωρείται εκ νέου εντός του κτιρίου.
- ♦ Εκκενώστε το κύκλωμα του ψυκτικού μέσου.
- ♦ Καθαρίστε το κύκλωμα του ψυκτικού μέσου με άζωτο για 5 λεπτά.
- ♦ Εκκενώστε εκ νέου.
- ♦ Κόψτε τον συμπίεστή και αντλήστε το λάδι.
- ♦ Μεταφορά, επισήμανση και αποθήκευση για μονάδες που χρησιμοποιούν εύφλεκτα ψυκτικά μέσα.

Μεταφορά συσκευών που περιέχουν εύφλεκτα ψυκτικά μέσα

- ♦ Ιδιαίτερη προσοχή πρέπει να δοθεί στο γεγονός ότι μπορεί να υπάρχουν πρόσθετοι κανονισμοί μεταφοράς για τις συσκευές που περιέχουν εύφλεκτα ψυκτικά μέσα. Η μέγιστη ποσότητα συσκευών ή η διαμόρφωση συσκευών, οι οποίες επιτρέπεται να μεταφερθούν μαζί, καθορίζεται από τους ισχύοντες κανονισμούς μεταφοράς.

Επισήμανση των συσκευών με σήματα

- ♦ Οι προειδοποιήσεις συναφών οικιακών ηλεκτρικών συσκευών οι οποίες ισχύουν για τους χώρους εργασίας διέπονται γενικώς από την τοπική νομοθεσία και περιγράφουν τις ελάχιστες απαιτήσεις όσον αφορά την πρόβλεψη σημάτων ασφαλείας και / ή υγείας για τους χώρους εργασίας.
- ♦ Πρέπει να διατηρούνται όλες οι απαιτούμενες ενδείξεις και οι εργοδότες πρέπει να διασφαλίζουν ότι οι εργαζόμενοι λαμβάνουν κατάλληλες και επαρκείς οδηγίες και κατάρτιση όσον αφορά τη σημασία των κατάλληλων σημάτων ασφαλείας και τις δράσεις που πρέπει να αναλαμβάνονται σε σχέση με αυτά τα σήματα.
- ♦ Η αποτελεσματικότητα των σημάτων δεν πρέπει να υποβαθμίζεται από την ταυτόχρονη τοποθέτηση υπερβολικά πολλών σημάτων.
- ♦ Οποιοδήποτε εικονόγραμμα που χρησιμοποιείται πρέπει να είναι το απλούστερο δυνατό και να περιλαμβάνει μόνο τις βασικές λεπτομέρειες.

Διάθεση συσκευών που περιέχουν εύφλεκτα ψυκτικά μέσα

- ♦ Βλ. εθνική νομοθεσία.
- ♦ Αποθήκευση εξαρτημάτων / ηλεκτρικών συσκευών Η αποθήκευση των συσκευών πρέπει να ακολουθεί τις οδηγίες του κατασκευαστή.
- ♦ Αποθήκευση συσκευασμένων συσκευών (που δεν έχουν πουληθεί) Η προστασία του πακέτου αποθήκευσης πρέπει να έχει διαμορφωθεί έτσι ώστε τυχόν μηχανική βλάβη στη συσκευή εντός του πακέτου να μην προκαλεί διαρροή της φόρτισης του ψυκτικού μέσου.
- ♦ Η μέγιστη ποσότητα επιτρεπόμενων συσκευών για να αποθηκεύονται μαζί καθορίζεται από τοπικούς κανονισμούς.

Το παρόν προϊόν συμμορφώνεται με την οδηγία 2014/35/EU χαμηλής τάσης, με την οδηγία 2014/30/EU για την ηλεκτρομαγνητική συμβατότητα, με την οδηγία 2011/65/EU για τον περιορισμό της χρήσης ορισμένων επικίνδυνων ουσιών σε ηλεκτρικό και ηλεκτρονικό εξοπλισμό και με την οδηγία 2009/125/EC για τις απαιτήσεις οικολογικού σχεδιασμού όσον αφορά τα συνδεόμενα με την ενέργεια προϊόντα.

ОСУШИТЕЛЬ ВОЗДУХА BXDH12E BXDH20E

Уважаемый клиент!

Благодарим за выбор аппарата торговой марки BLACK+DECKER.

Он выполнен с применением передовых технологий, имеет элегантный дизайн, надежную конструкцию и превышает наиболее требовательные стандарты качества, что обеспечит полное соответствие вашим требованиям и продолжительный срок службы.



Пожалуйста, не устанавливайте и не пользуйтесь вашим Осушителем воздуха до того, как внимательно прочитаете это руководство. Сохраните данное руководство для получения гарантийного обслуживания и обращения к инструкциям в будущем.

ВНИМАНИЕ!

- ◆ Не используйте средства для ускорения процесса размораживания или чистки прибора кроме тех, что рекомендованы производителем.
- ◆ Прибор должен храниться в помещении, в котором нет источников огня (например, открытое пламя, работающий газовый прибор или рабочий электронагреватель).
- ◆ Не прокалывайте и не сжигайте прибор.
- ◆ Помните, что хладагенты не содержат запаха.
- ◆ Прибор должен быть установлен, работать и храниться в комнате с площадью пола больше, чем 4 м².

ВНИМАНИЕ!

- ◆ Специальная информация, касающаяся R290 охлаждающего газа.
- ◆ Тщательно прочитайте все меры предосторожности.
- ◆ При размораживании и чистке прибора не используйте какие-либо инструменты кроме тех, что рекомендованы производителем.
- ◆ Прибор должен находиться в месте, где отсутствуют какие-либо источники воспламенения (например, открытое пламя, газ или электроприборы).
- ◆ Не протыкайте и не сжигайте прибор.
- ◆ Этот прибор содержит 52 г (смотрите заднюю этикетку прибора) из R290 охлаждающего газа.
- ◆ R290 это охлаждающий газ, который соответствует европейским директивам по защите окружающей среды. Не прокалывайте какую-либо часть контура циркуляции хладагента.
- ◆ Если прибор установлен, эксплуатируется или хранится в непрветриваемом помещении, оно

должно быть спроектировано таким образом, чтобы предотвратить накопление утечек хладагента, что может привести к возгоранию или взрыву изза воспламенения хладагента, вызванного электрическими приборами, печами или другими источниками огня.

- ◆ Прибор должен храниться так, чтобы предотвратить вероятность механического сбоя.
- ◆ Лица, осуществляющие любую операцию на контуре хладагента, должны иметь соответствующую сертификацию, выданную аккредитованной организацией, которая гарантирует компетентность в отношении обращения с хладагентами в соответствии с конкретными правилами, принятыми ассоциациями данной отрасли.
- ◆ Ремонт должен выполняться на основании рекомендаций производственной компании. Техническое обслуживание и ремонт, требующие помощи другого квалифицированного персонала, должны выполняться под наблюдением профессионала, специализирующегося на использовании легковоспламеняющихся хладагентов.

ИНСТРУКЦИЯ ПО ТЕХНИКЕ БЕЗОПАСНОСТИ

- ◆ Данное устройство может использоваться детьми старше 8 лет, лицами с ограниченными физическими, сенсорными или умственными возможностями, а также лицами, не обладающими соответствующим опытом или знаниями, только под присмотром или после проведения инструктажа по безопасному использованию устройства и с пониманием связанных с ним опасностей.
- ◆ Прибор не является игрушкой.
- ◆ Необходимо следить за детьми, чтобы они не играли с ним.
- ◆ Не позволяйте детям выполнять чистку и техническое обслуживание прибора без присмотра взрослых.
- ◆ Установите прибор в соответствии с национальными правилами для электроустановок.
- ◆ Оставьте пространство в 50 см между стенами и другими предметами и прибором. Не накрывайте и не заграждайте боковые стороны прибора, всегда оставляя пространство не менее 50 см вокруг прибора.
- ◆ Для правильной работы прибора необходима соответствующая вентиляция помещения.

- ♦ (Перевод от оригинальной инструкции) не допускается использовать электроприбор с поврежденным шнуром питания. Отнесите прибор в авторизованный сервисный центр. Не пытайтесь самостоятельно ремонтировать электроприбор — это может быть опасно.
- ♦ Этот прибор предназначен только для домашнего, а не профессионального или промышленного использования.
- ♦ Перед подключением прибора убедитесь, что напряжение, указанное на паспортной этикетке, соответствует напряжению на заводской этикетке.
 - ♦ Подключайте прибор к сетевой розетке, которая рассчитана на ток не менее 10 А.
 - ♦ Вилка прибора должна соответствовать разъему электрической розетки. Ни в коем случае не допускается переделывать вилку. Не используйте также использовать переходники для розетки.
 - ♦ Не тяните шнур питания. Не допускается использовать шнур питания, чтобы поднимать или переносить электроприбор, вынимать вилку из розетки, потянув за шнур.
 - ♦ Не накручивайте сетевой шнур на прибор.
 - ♦ Убедитесь, что шнур питания не зажат или не погнут.
 - ♦ Не допускается, чтобы сетевой шнур свешивался или касался горячих частей прибора; Проверьте состояние сетевого кабеля. Поврежденный или запутанный шнур может быть причиной поражения электрическим током.
 - ♦ В качестве дополнительной защиты, рекомендуется, в процессе электрической установки, которая обеспечивает питание устройства, использовать дифференциальную токовую защиту с максимальной чувствительностью 30 мА. Проконсультируйтесь с установщиком.
 - ♦ Не прикасайтесь к вилке влажными руками.
 - ♦ Не используйте прибор с поврежденным шнуром питания или вилкой.
 - ♦ Если какая-либо часть корпуса прибора вышла из строя, немедленно выключите прибор во избежание поражения электрическим током.
 - ♦ Не допускается использовать прибор после падения на пол, если на нем имеются видимые следы повреждений или протечка.
 - ♦ Используйте прибор только в хорошо проветриваемом помещении.
 - ♦ Если прибор используется в одном помещении с другими газовыми или топливными устройствами, то помещение должно хорошо проветриваться.
 - ♦ Не подвергайте прибор воздействию прямым солнечным лучам.
 - ♦ Поместите прибор на горизонтальную, плоскую и устойчивую поверхность вдали от источников тепла и избегайте контакта прибора с водой.
 - ♦ не допускается использовать или хранить электроприбор на открытом воздухе;
 - ♦ Не подвергайте прибор воздействию дождя или влаги. Если в прибор попадет вода, это может стать причиной поражения электрическим током;
 - ♦ ВНИМАНИЕ! Не допускается использовать прибор возле воды.
 - ♦ Не тяните шнур питания. Не допускается использовать шнур питания, чтобы поднимать или переносить электроприбор, вынимать вилку из розетки, потянув за шнур. Держите прибор вдали от источников тепла и острых кромок других предметов.

ИСПОЛЬЗОВАНИЕ И УХОД

- ♦ Перед каждым использованием полностью отключите кабель питания от источника питания.
- ♦ Не используйте прибор, если механизм запуска / остановки не работает. Не убирайте опорные ножки прибора. не перемещайте прибор во время использования; Используйте ручки для переноски и транспортировки прибора.
- ♦ Не переворачивайте прибор, если он используется или подключен к сети.
- ♦ Отключайте блок питания от сети, когда прибор не используется, и перед выполнением каких-либо операций по очистке прибора.
- ♦ Храните прибор вне досягаемости детей и/или лиц с ограниченными физическими, сенсорными или умственными возможностями, а также тех, кто не знаком с правилами его использования.
- ♦ Не подвергайте прибор влиянию высоких температур. храните прибор в сухом, защищенном от пыли и солнечных лучей месте; Никогда не оставляйте прибор без присмотра. Это также сэкономит энергию и продлит срок службы прибора.
- ♦ Перед тем, как перемещать прибор, выньте и опорожните резервуар для воды. Если вода из резервуара попадет на прибор, это может повредить внутренние части осушителя.

- ♦ Используйте ручку с колесиками * для взятия или транспортировки прибора, чтобы избежать каких-либо травм и облегчить сам процесс транспортировки.
- ♦ *(Только для модели VXDH20E) Чтобы обеспечить правильную работу системы очистки воздуха, фильтр HEPA необходимо заменять примерно через каждые 2000 часов использования. Вы можете связаться с нашей Службой технической поддержки для приобретения новых фильтров HEPA.

обслуживание

- ♦ Любое неправильное использование прибора или несогласие с инструкциями по эксплуатации может быть опасным, аннулировать гарантию и ответственность производителя.
- ♦ Убедитесь, что сервис отремонтирован только специализированным персоналом и используются только запчасти или аксессуары оригиналы для замены запчастей / аксессуаров существующий.

ОПИСАНИЕ

A	Ручка
B	Панель управления
C	Передняя панель
D	Задняя панель
E	*Крышка для резервуара с водой
F	*Ручка для резервуара с водой
G	Резервуар с водой
H	Колесики
I	Рамка фильтра
J	Дренажный выход
K	Колонна для хранения шнура питания
L	*Фильтр HEPA 13
M	Дренажное отверстие

(*) Имеется только в модели VXDH20E

Если в комплекте с вашей моделью не поставляются нужные вам насадки, их можно приобрести отдельно через службу технической поддержки.

Панель управления

1	Таймер
2	Внутренняя сушка
3	Скорость потока воздуха
4	Полный резервуар
5	LED-дисплей
6	Контроль влажности
7	Режим / Сушка белья
8	ON/OFF

Установка

- ♦ Убедитесь в том, что вы вынули все упаковочные материалы из прибора.
- ♦ *(Только для модели VXDH20E) Снимите рамку фильтра. Откройте пластиковый мешок, содержащий фильтр HEPA и установите его в отсек для фильтра. Установите рамку фильтра на место. Убедитесь, что она закреплена должным образом.
- ♦ Рекомендуется установить подушечки или амортизационные резиновые прокладки, или им подобное, под данным осушителем для уменьшения вибрации, шум и возможного проседания деревянных полов или ковровых покрытий.

ИНСТРУКЦИЯ ПО ЭКСПЛУАТАЦИИ

Перед использованием:

- ♦ Убедитесь в том, что вы полностью распаковали прибор.
- ♦ Некоторые части прибора могут быть слегка смазаны. Вследствие этого, во время первого применения прибора может появиться небольшой дым. После некоторого времени, дым прекратится.
- ♦ При первом включении прибор выделяет запах. Рекомендуется включить его на полную мощность на 2 часа в хорошо проветриваемой комнате.

Использование:

- ♦ Полностью размотайте шнур до того, как вставить его в розетку.
- ♦ Подключите прибор к электросети.

- ◆ Включите прибор, используя кнопку on/off (8).
- ◆ Выберите желаемый режим

РЕЖИМ:

- ◆ Нажмите кнопку режима (7), чтобы выбрать автоматический режим или режим сушки одежды.
- ◆ В автоматическом режиме прибор будет работать до тех пор, пока не будет достигнута заданная влажность воздуха (%). Влажность воздуха по умолчанию составляет 50 %. Для получения дополнительной информации см. раздел «НАСТРОЙКА ФУНКЦИИ ВЛАЖНОСТИ ВОЗДУХА».
- ◆ Функция сушки белья позволяет сократить время сушки белья за счет снижения влажности. Для получения дополнительной информации, см. раздел «ФУНКЦИЯ СУШКА ОДЕЖДЫ».
- ◆ Контрольный индикатор сверху указывает, какой режим был выбран.

ФУНКЦИЯ ТАЙМЕРА:

- ◆ Нажмите кнопку таймера (1), чтобы активировать эту функцию.
- ◆ Экран LED-дисплея (4) покажет выбранное время.
- ◆ Настройте желаемое время, нажимая кнопку столько раз, сколько соответствует нужному времени (1-24 часа). С каждым нажатием прибавляется один час.
- ◆ Когда дисплей отобразит желаемое время, перестаньте нажимать кнопку. Через пять секунд заданное время подтвердится.
- ◆ Загорится верхний индикатор.
- ◆ Для отмены настройки таймера, после подтверждения времени дважды нажмите кнопку.

ФУНКЦИЯ ВНУТРЕННЕЙ СУШКИ:

- ◆ Нажмите кнопку внутренней сушки (2), чтобы активировать эту функцию.
- ◆ Загорится верхний индикатор.
- ◆ Эта функция сушит внутреннюю часть прибора, чтобы предотвратить появление плесени внутри прибора. Эта процедура длится примерно 1 час.
- ◆ Осушитель запускается на высокой скорости и непрерывно выпускает воздух в течение 30 минут. Затем прибор начнет работать на низкой скорости около 20 минут.
- ◆ Чтобы отменить эту функцию, нажмите на ту же кнопку еще раз.
- ◆ Активируйте эту функцию перед тем, как поместить осушитель на хранение, чтобы предотвратить появление плесени внутри прибора.

НАСТРОЙКА ФУНКЦИИ ВЛАЖНОСТИ ВОЗДУХА:

- ◆ Обратите внимание, что эта функция доступна только в «автоматическом режиме».
- ◆ Нажмите кнопку настройки влажности воздуха (6), чтобы активировать эту функцию.
- ◆ После нажатия кнопки отобразится процент влажности воздуха.
- ◆ Каждый раз, когда вы нажимаете кнопку, % влажности воздуха будет увеличиваться на 5 %, пока не достигнет максимума 80 %, а затем вернется к 30 %.
- ◆ Как только вы достигнете желаемого % влажности воздуха, перестаньте нажимать кнопку. Прибор будет работать до тех пор, пока влажность воздуха в комнате не станет на 5% ниже, чем заданное значение. Компрессор остановится, но вентилятор продолжит работать на заданной скорости.
- ◆ Экран LED-дисплея покажет выбранное значение влажности воздуха (%).

ФУНКЦИЯ СУШКИ ОДЕЖДЫ:

- ◆ Нажмите кнопку режима (7), чтобы активировать эту функцию. Контрольный индикатор сверху укажет, какой режим был выбран.
- ◆ Эта функция активирует компрессор независимо от влажности воздуха в помещении. Эта функция позволит одежде быстрее высохнуть.
- ◆ Чтобы отменить эту функцию, нажмите на ту же кнопку еще раз для переключения в автоматический режим.

СКОРОСТЬ ВЕНТИЛЯТОРА:

- ◆ Выберите нужную скорость вентилятора (высокую или низкую) с помощью кнопки вентилятора (3).
- ◆ Контрольный индикатор сверху укажет, какой режим был выбран.

ЗАЩИТА ОТ ДЕТЕЙ *(ТОЛЬКО ДЛЯ МОДЕЛИ VXDH20E):

- ◆ Нажмите и удерживайте кнопку режима (7) как минимум три секунды, чтобы активировать эту настройку.
- ◆ Все клавиши на панели управления будут отключены.

- ◆ Для разблокировки панели управления повторите данный процесс.

ДРЕНАЖНАЯ СИСТЕМА (РЕЗЕРВУАР ДЛЯ ВОДЫ):

- ◆ Когда резервуар для воды заполнен, значок полный резервуар (4) начнет мигать. Устройство также издаст звуковой сигнал для оповещения пользователя.
- ◆ Когда резервуар для воды полон, компрессор и вентилятор остановятся.
- ◆ Вам будет нужно извлечь резервуар с водой. Положите руки на углубления в резервуаре, находящиеся с обеих сторон для того, чтобы аккуратно извлечь резервуар для воды.
- ◆ Снимите крышку резервуара для воды* и вылейте воду.
- ◆ Установите крышку резервуара для воды на место и поставьте резервуар внутрь прибор, чтобы снова включить осушитель.

ДРЕНАЖНАЯ СИСТЕМА (НЕПРЕРЫВНАЯ ДРЕНАЖНАЯ СИСТЕМА)

- ◆ Если вы не хотите опорожнять резервуар для воды каждый раз, когда он станет полным, существует возможность подключить поставляемую вместе с прибором дренажную трубу (внутренний диаметр 9 мм) к сливному отверстию (J) для обеспечения непрерывного слива воды.
- ◆ Для установки трубы определите местоположения сливного отверстия на приборе, открутите сливную заглушку и вытащите ее. Соедините 9-миллиметровую дренажную трубу с выходным отверстием.
- ◆ Нижний конец водопроводной трубы должен находиться более чем на 10 см ниже высоты выпускного отверстия.
- ◆ Конец трубы не может оставаться в воде. Настоятельно рекомендуется устанавливать ее там, где вода может постоянно стекать.
- ◆ Водопроводная труба должна быть разглажена, иначе вода не будет сливаться должным образом.
- ◆ Обратитесь к рисунку ниже для разъяснений относительно настройки непрерывного дренажа. Fig. 1

После использования прибора:

- ◆ Остановите прибор, нажав кнопку (8) вкл. / выкл.
- ◆ Отключите прибор от сети.
- ◆ Закрутите кабель, используя колонну для хранения шнура питания (K).
- ◆ Очистите прибор.

ЧИСТКА

- ◆ Отсоедините прибор от сети после использования, чтобы он остыл перед очисткой.
- ◆ очистите важной тканью электроприбор и электрический соединитель, а затем просушите их. НЕ ПОГРУЖАЙТЕ В ВОДУ ИЛИ ИНУЮ ЖИДКОСТЬ.
- ◆ Очистите прибор, используя влажную ткань и несколько капель чистящей жидкости, и вытрите его насухо.
- ◆ Не допускается использовать растворители или продукты на основе кислоты или с высоким уровнем pH, например, отбеливатель, а также абразивные чистящие вещества.
- ◆ Не допускайте попадания внутрь через отверстия для прохождения воздуха воды или иной жидкости, чтобы не повредить внутренние части.
- ◆ Не помещайте электроприбор в воду или иную жидкость, а также под струю воды.
- ◆ Если прибор не будет содержаться в чистом состоянии, его поверхность может быть повреждена, срок службы сокращен или даже его использование станет небезопасным.
- ◆ Затем просушите все части перед сборкой.

Очистите воздушный фильтр:

- ◆ Очищайте фильтры воздуха каждые 2 недели. Если воздушный фильтр заблокирован пылью, его эффективность понизится.
- ◆ Очищайте воздушные фильтры, погружив их осторожно в теплую воду с нейтральным моющим средством, промойте их и дайте полностью высохнуть в тенистом месте.
- ◆ После очистки, аккуратно установите фильтры на место.
- ◆ *(Только для модели VXDH20E) Чтобы обеспечить правильную работу системы очистки воздуха, фильтр HEPA необходимо заменять примерно через каждые 2000 часов использования. Вы можете связаться с нашей Службой технической поддержки для приобретения новых фильтров HEPA

Неисправности и ремонт

- ◆ Если какой-либо из компонентов не работает должным образом, обратитесь к следующей таблице:

Отклонения	Причина	Решение
Осушитель не функционирует.	Штепсельная вилка отсоединена?	Вставьте вилку в розетку.
	Резервуар для воды заполнен или находится в неправильном положении?	Слейте воду из резервуара для воды, а затем установите резервуар для воды на место.
	Температура окружающей среды меньше 5°C или больше 32°C.	Это нормально. Прибор не запустится в этих условиях по соображениям безопасности.
Функция осушения воздуха неэффективна.	Температура в помещении или уровень влажности слишком низкий?	В сухих условиях осушающая способность прибора снижается.
	Вход и выход воздуха заблокированы?	Уберите предметы, блокирующие входное и выпускное отверстие для воздуха.
Воздух не выдувается.	Воздушный фильтр засорился?	Произведите очистку воздушного фильтра, следуя ранее описанному методу.
Странный шум во время работы прибора.	Возможно, осушитель установлен неправильно, на наклоненной или неустойчивой поверхности?	Пожалуйста, установите осушитель на ровное место.
	Воздушный фильтр засорился?	Произведите очистку воздушного фильтра, следуя ранее описанному методу.
	Скрежещущий звук.	Это звук издает поток хладагента, что абсолютно нормально.
Утечка воды.	Крепление дренажной трубы ослабилось.	Закрепите дренажную трубу.
	Дренажная система заблокирована.	Удалите препятствующие дренажу объекты и выровняйте водопроводную трубу.
Обмерзание прибора.	Низкая температура окружающей среды, прибор должен оттаять.	Это нормальное явление, осушитель оснащен функцией автоматической разморозки.
Если вы не можете найти решение в таблице, обратитесь в Службу технической поддержки.		



Прибор содержит легковоспламеняющиеся хладагенты

ДЛЯ ВСЕХ ВЕРСИЙ ПРОДУКТА И / ИЛИ ЕСЛИ ПРИМЕНИМО В ВАШЕЙ СТРАНЕ:

Экология и вторичное использование

- ♦ Материалы, использованные для упаковки этого устройства, интегрированы в систему сбора, классификации и утилизации отходов. Если вы хотите избавиться от них, вы должны использовать соответствующие общедоступные контейнеры для каждого типа материала.
- ♦ В изделии нет веществ в концентрациях, которые считаются вредными для окружающей среды.



Этот символ означает, что, если вы хотите избавиться от продукта по истечении его срока службы, вы должны передать его соответствующим образом в распоряжение уполномоченного менеджера по выборочному сбору отходов электрического и электронного оборудования (WEEE).

ГАРАНТИЯ И ТЕХНИЧЕСКАЯ ПОДДЕРЖКА

- ♦ Этот продукт защищен юридической гарантией в соответствии с действующим законодательством. Чтобы обеспечить соблюдение ваших прав или интересов, вы должны обратиться в любую из наших официальных служб по технической поддержке клиентов. Вы можете найти ближайшие из центров, пройдя по следующей веб-ссылке: <http://www.2helpru.com/> Вы также можете запросить соответствующую информацию, связавшись с нами (см. последнюю страницу руководства). Вы можете скачать это руководство и обновления к нему по адресу <http://www.2helpru.com/>

ИНСТРУКЦИИ ПО РЕМОНТУ АКСЕССУАРОВ, СОДЕРЖАЩИХ R290

ОБЩИЕ ИНСТРУКЦИИ

- ♦ Необходимая проверка Перед началом работы над системами, содержащими легковоспламеняющиеся хладагенты, необходима проверки безопасности, чтобы минимизировать риск воспламенения. Для ремонта охлаждающей системы перед проведением работ в системе должны соблюдаться следующие меры предосторожности.

Рабочая процедура

- ♦ Работы проводятся с соблюдением контролируемой процедуры, чтобы свести к минимуму риск воспламенения газа или пара, производящихся во время работы.

Общая рабочая зона

- ♦ Весь обслуживающий персонал и другие работники, работающие на территории, должны быть проинструктированы о характере выполняемых работ. Следует избегать работы в замкнутых пространствах. Область вокруг рабочего места должна быть огорожена. Убедитесь, что условия в зоне безопасны, контролируя наличие воспламеняющегося материала.

Проверка наличия хладагента

- ♦ Перед эксплуатацией и во время работы область должна быть проверена соответствующим детектором хладагента, чтобы технический специалист знал о наличии потенциально взрывоопасных атмосфер. Убедитесь, что используемое для обнаружения утечек оборудование подходит для работы с легковоспламеняющимися хладагентами, т.е. безыскровое, герметичное или взрывобезопасное.

Наличие огнетушителя

- ♦ Если какая-либо горячая работа должна проводиться на холодильном оборудовании или любых связанных с ним частях, то соответствующее оборудование должно быть доступно для использования. У вас должен быть сухой порошок или огнетушитель СО 2 рядом с местом работы.

Нет источников воспламенения

- ♦ Лицо, выполняющее работу в отношении холодильной системы, которая включает в себя работу, связанную с трубами, которые содержат или содержали легковоспламеняющийся хладагент, не должно использовать источники воспламенения так, чтобы это могло привести к возгоранию или взрыву. Все возможные источники воспламенения, включая курение, должны находиться достаточно далеко от места установки, ремонта, перемещения и утилизации прибора, во время которых легковоспламеняющийся хладагент может быть выпущен в окружающую среду. Перед проведением работ необходимо обследовать область вокруг оборудования, чтобы убедиться, что отсутствует опасность или риск воспламенения. Знак «Курение запрещено» должен быть повешен.

Вентилируемая зона

- ♦ нужно сообщить владельцу оборудования, чтобы все Убедитесь, что зона работы находится в открытом пространстве или что она хорошо вентилируется, прежде чем внедряться в систему или проводить какую-либо горячую работу. Вентиляция

должна работать во время проведения работ. Вентиляция должна безопасно рассеивать любой выпущенный хладагент и предпочтительно вытеснить его в атмосферу извне.

Проверка холодильного оборудования

- ◆ При замене электрических компонентов они должны быть пригодными для этой цели и соответствовать спецификациям. Всегда должны соблюдаться инструкции производителя по техническому использованию и обслуживанию прибора. Если вы сомневаетесь, обратитесь в технический отдел производителя за помощью. Следующие проверки должны быть выполнены относительно установок с использованием легковоспламеняющихся хладагентов: размер заряда должен соответствовать размеру помещения, в котором установлены компоненты, содержащие хладагент; вентиляционное оборудование и выхлопные трубы должны работать надлежащим образом и не быть загороженными другими предметами; если используется не прямой холодильный контур, вторичная цепь должна проверяться на наличие хладагента; маркировка оборудования при этом должна оставаться видимой и разборчивой. Неразборчивые пометки и знаки должны быть исправлены; холодильная труба или ее компоненты должны быть установлены в таком месте, где маловероятно, что они будут подвергаться воздействию какого-либо вещества, которое может разъедать компоненты, содержащие хладагент; если только компоненты не изготовлены из материалов, которые по своей природе устойчивы к коррозии или надлежащим образом защищены от коррозии.

Проверка электрических приборов

- ◆ Ремонт и техническое обслуживание электрических компонентов должно включать первоначальную проверку безопасности и процедуру по проверке компонентов. Если существует неисправность, которая может поставить под угрозу безопасность, то к цепи не должен быть подключен электрический источник питания до тех пор, пока вопрос не будет удовлетворительно решен. Если неисправность не может быть исправлена немедленно, но необходимо продолжить работу, то нужно использовать соответствующее временное решение. Об этом стороны были предупреждены.
- ◆ Первоначальная проверка безопасности должна включать: конденсаторы должны быть разряжены: это должно быть сделано безопасным образом, чтобы избежать возможности искробразования; активные электрические компоненты и проводка не должны быть обнажены при зарядке, восстановлении или очистке системы; должно иметься непрерывное заземление.

РЕМОНТ ДЛЯ ГЕРМЕТИЧНЫХ КОМПОНЕНТОВ

- ◆ Во время ремонта герметичных компонентов все электроснабжение должно быть отсоединено от оборудования предварительно, до снятия закрытых крышек и т. д. Если же необходимо иметь электроснабжение во время обслуживания, то аппарат, обеспечивающий постоянное обнаружение утечки, должен быть установлен в наиболее критическом месте, чтобы предупредить о потенциально опасной ситуации.
- ◆ Особое внимание должно быть уделено следующему: нужно убедиться, что при работе с электрическими компонентами корпус не изменен так, что снижен уровень защиты.
- ◆ Это включает в себя повреждение кабелей, чрезмерное количество соединений, клеммы, которые не соответствуют первоначальной спецификации, повреждение герметичных компонентов, неправильный монтаж сальников и т. д. Убедитесь, что устройство надежно установлено. Убедитесь, что герметичные компоненты или герметичные материалы не износились до такой степени, что они больше не могут служить для предотвращения выброса взрывоопасной атмосферы. Запасные части должны соответствовать спецификациям производителя.
- ◆ ПРИМЕЧАНИЕ Использование силиконового герметика может затруднять эффективность некоторых типов оборудования для обнаружения утечек. Искробезопасные компоненты не нужно изолировать перед тем, как работать с ними.

РЕМОНТ БЕЗОПАСНЫХ КОМПОНЕНТОВ

- ◆ Не осуществляйте постоянные индуктивные или емкостные нагрузки на контур, если нет гарантии, что это не будет превышать допустимое напряжение и ток, используемые для данного оборудования.
- ◆ Только с искробезопасными компонентами можно работать, когда они находятся во взрывоопасной атмосфере. Тестовое устройство должно иметь правильные расчетные параметры. Заменяйте компоненты только на детали, указанные изготовителем. Использование других деталей может привести к воспламенению хладагента в атмосфере изза утечки.

ПРОКЛАДКА КАБЕЛЯ

- ◆ Убедитесь, что кабели не подвержены износу, коррозии, чрезмерному давлению, вибрации, не касаются острых краев или не подвержены другим неблагоприятным воздействиям окружающей среды. При проверке нужно также

учитывать последствия износа или постоянной вибрации, исходящей от таких источников, как компрессоры или вентиляторы.

ОБНАРУЖЕНИЕ ЛЕГКОВОСПЛАМЕНЯЮЩИХСЯ ХЛАДАГЕНТОВ

- ◆ Ни при каких обстоятельствах нельзя использовать потенциальные источники воспламенения при поиске или обнаружении утечек хладагента. Газоопасная горелка (или любой другой детектор с использованием открытого пламени) не должна использоваться.

МЕТОДЫ ОБНАРУЖЕНИЯ УТЕЧЕК

- ◆ Следующие способы обнаружения утечки считаются приемлемыми для систем, содержащих воспламеняющиеся хладагенты. Электронные детекторы утечки должны использоваться для обнаружения легковоспламеняющихся хладагентов, но их чувствительность может быть недостаточной, или может потребоваться их повторная калибровка. (Оборудование для обнаружения утечки должно быть откалибровано в месте, не содержащем хладагента.) Убедитесь, что детектор не является потенциальным источником воспламенения и подходит для используемого хладагента. Оборудование для обнаружения утечки должно устанавливаться в процентах от LFL хладагента и должно быть откалибровано для используемого хладагента, а также должно быть подтверждено соответствующий процент газа (максимум 25%). Жидкости для определения утечки подходят для большинства хладагентов, но следует избегать использования детергентов, содержащих хлор, поскольку хлор может войти в реакцию с хладагентом и разъесть медные трубы. Если подозревается утечка, все источники открытого пламени должны быть устранены / погашены. Если обнаружена утечка хладагента, которая требует пайки, весь хладагент должен быть извлечен из системы или изолирован (с помощью отсечных клапанов) в отдаленной от утечки части системы. Система должна быть очищена безкислородным азотом (OFN), до и в процессе пайки.

СНЯТИЕ И ОЧИСТКА

- ◆ При проникновении в контур хладагента для проведения ремонта или для любых других целей нужно следовать обычным процедурам. Однако нужно соблюдать осторожность, поскольку речь идет о воспламеняемых объектах. Должна быть соблюдена следующая процедура: слить хладагент; продуть контур инертным газом; прочистить; снова продуть инертным газом; открыть цепь путем резки или пайки. Заправка хладагента должна осуществляться в соответствующие цилиндры для рекуперации. Система должна быть «очищена» с помощью OFN, чтобы устройство стало безопасным. Этот процесс может потребоваться повторить несколько раз. Сжатый воздух или кислород не должны использоваться для этой цели. Промывка должна быть достигнута путем разрушения вакуума в системе с помощью OFN и заполнением до тех пор, пока не будет достигнуто рабочее давление, а затем осуществлен выброс в атмосферу и, наконец, достигнут вакуум. Этот процесс должен быть повторен до тех пор, пока в системе не будет хладагента. Когда используется последний заряд OFN, система должна быть сброшена до атмосферного давления, чтобы позволить проводить работы. Эта операция абсолютно необходима при проведении пайки на трубопроводе.
- ◆ Убедитесь, что выход для вакуумного насоса не находится вблизи источников воспламенения, и имеется вентиляция.

ПРОЦЕДУРА ЗАРЯДКИ

- ◆ В дополнение к обычным процедурам зарядки должны соблюдаться следующие требования.
- ◆ Убедитесь, что при использовании зарядного оборудования не происходит загрязнения хладагентов. Шланги или провода должны быть как можно короче, чтобы минимизировать количество хладагента, содержащегося в них.
- ◆ Цилиндры должны находиться в вертикальном положении.
- ◆ Перед зарядкой системы с помощью хладагента убедитесь, что система охлаждения заземлена.
- ◆ Пометьте систему, когда зарядка завершена (если она еще не была завершена).

МАРКИРОВКА

- ◆ Необходимо проявлять чрезвычайную осторожность, чтобы не переполнить систему охлаждения.
- ◆ Перед перезарядкой системы, ее нужно протестировать под давлением с OFN. Система должна быть протестирована на утечку по завершении зарядки, до ввода в эксплуатацию. Перед тем, как покинуть участок, следует провести тест на герметичность.

ВЫВОД ИЗ ЭКСПЛУАТАЦИИ

- ◆ Перед выполнением этой процедуры важно, чтобы специалист был полностью знаком с оборудованием и всеми его деталями. Рекомендуется, чтобы все хладагенты были безопасно восстановлены. Перед выполнением работ, нужно

взять образцы масла и хладагента, если необходимо провести анализ перед повторным использованием регенерированного хладагента. Очень важно, чтобы электроэнергия была доступна до начала выполнения работ.

- ♦ a) Ознакомьтесь с оборудованием и его работой.
- ♦ b) Изолируйте систему электрически.
- ♦ c) Перед тем, как приступить к процедуре, убедитесь, что: при необходимости, имеется механическое погрузочно-разгрузочное оборудование
- ♦ для обработки цилиндров хладагента; все средства индивидуальной защиты доступны и используются правильно; процесс рекуперации постоянно контролируется компетентным лицом; оборудование для рекуперации и цилиндры соответствуют стандартам.
- ♦ d) Если возможно, слейте хладагент.
- ♦ e) Если невозможно создать вакуум, сделайте коллектор, чтобы хладагент мог быть удален из разных частей системы.
- ♦ f) Перед восстановлением убедитесь, что цилиндр расположен на весах.
- ♦ g) Запустите оборудование для рекуперации и следуйте инструкциям производителя.
- ♦ h) Не переполняйте цилиндры. (Не более 80% объема жидкости).
- ♦ i) Не превышайте максимальное рабочее давление цилиндра, даже временно.
- ♦ j) Когда цилиндры были соответствующим способом заполнены, и процесс завершен, убедитесь, что цилиндры и оборудование немедленно убраны, и все запорные клапаны на оборудовании закрыты.
- ♦ k) Восстановленный хладагент не следует заряжать в другую холодильную систему, если он не был очищен и проверен.
- ♦ Оборудование должно быть помечено, указывая, что оно было снято с эксплуатации и очищено от хладагента. Метка должна быть датирована и подписана.
- ♦ Убедитесь, что на оборудовании имеются этикетки, которые указывают, что оборудование содержит легковоспламеняющийся хладагент.

ВОССТАНОВЛЕНИЕ

- ♦ При удалении хладагента из системы, как для обслуживания, так и для выведения из эксплуатации, рекомендуется, чтобы все хладагенты были удалены безопасно. При переносе хладагента в цилиндры убедитесь, что используются только соответствующие цилиндры для возврата хладагента. Убедитесь, что имеется необходимое количество цилиндров для обеспечения общей зарядки системы. Все используемые цилиндры предназначены для восстановленного хладагента и маркируются для этого хладагента (т.е.
- ♦ Это специальные цилиндры для извлечения хладагента). Цилиндры должны быть снабжены предохранительным клапаном и соответствующими запорными клапанами в хорошем рабочем состоянии. Пустые рекуперационные цилиндры очищаются и, по возможности, охлаждаются до начала процесса восстановления.
- ♦ Оборудование для восстановления должно быть в рабочем состоянии, включать в себя набор инструкций по доступному оборудованию и должно быть пригодным для восстановления легковоспламеняющихся хладагентов. Кроме того, набор калиброванных весов должен быть доступен и в хорошем рабочем состоянии. Шланги должны быть оснащены неразъемными муфтами и быть в хорошем состоянии. Перед тем, как использовать оборудование для восстановления, убедитесь,
- ♦ что оно находится в удовлетворительном рабочем состоянии, за ним осуществлялся должный уход, и что все связанные с ним электрические элементы загерметизированы, чтобы предотвратить воспламенение в случае выхлопа хладагента. Если у вас есть сомнения, обратитесь к производителю.
- ♦ Восстановленный хладагент должен быть возвращен поставщику хладагента в надлежащем цилиндре для восстановления и с соответствующей заметкой о Транспортировке отходов. Не смешивайте хладагенты в блоках восстановления, особенно в цилиндрах. Если компрессоры или масло компрессора необходимо удалить, убедитесь, что они были очищены до приемлемого уровня, чтобы удостовериться, что легковоспламеняющийся хладагент не остался в смазке. Процесс очистки должен проводиться до того, как вернуть компрессор поставщику. Для ускорения этого процесса необходимо использовать только электрический нагрев корпуса компрессора. Когда масло сливается из системы, это нужно делать осторожно.

Компетентность обслуживающего персонала

Общее

- ♦ Для ремонта оборудования с воспламеняющимися хладагентами требуется специальная подготовка, дополняющая обычные процедуры ремонта холодильного оборудования.
- ♦ Во многих странах эта подготовка осуществляется национальными учебными заведениями, которые аккредитованы для обучения в соответствии с национальными стандартами, которые могут быть приняты в законодательстве.

- ♦ Достигнутая компетенция должна быть задокументирована соответствующим сертификатом.

Обучение

Обучение должно включать следующее:

- ♦ Информация о взрывоопасности легковоспламеняющихся хладагентов, чтобы проинструктировать о том, что воспламеняющиеся вещества могут быть опасны при неосторожном обращении.
- ♦ Информация о потенциальных источниках воспламенения, особенно тех, которые не очевидны на первый взгляд, такие как зажигалки, выключатели света, пылесосы, электронагреватели.
- ♦ Информация о различных концепциях безопасности:
- ♦ Невентилируемый (см. Раздел GG.2). Безопасность устройства не зависит от вентиляции места хранения. Выключение прибора или открытие корпуса не оказывает существенного влияния на безопасность. Тем не менее, вероятно, что утечка хладагента может накапливаться внутри корпуса, и взрывоопасная атмосфера может быть выпущена наружу при открытии корпуса.
- ♦ Вентилируемый корпус (см. Раздел GG.4). Безопасность устройства зависит от вентиляции корпуса.
- ♦ Выключение прибора или открытие корпуса существенно влияет на его безопасность.
- ♦ Прежде всего, необходимо обеспечить достаточную вентиляцию.
- ♦ Вентилируемое помещение (см. Раздел GG.5). Безопасность прибора зависит от вентиляции помещения.
- ♦ Выключение прибора или открытие корпуса не оказывает существенного влияния на безопасность.
- ♦ Вентиляция помещения не должна быть отключена во время процедур ремонта.
- ♦ Информация о концепции герметичных компонентов и герметичных корпусах согласно IEC 6007915: 2010.
- ♦ Информация о надлежащем выполнении рабочих процедур:

Введение в эксплуатацию

- ♦ Убедитесь, что площадь пола достаточна для заправки хладагента и что вентиляционная труба собрана правильно.
- ♦ Подсоедините трубы и выполните проверку на герметичность перед зарядкой хладагента.
- ♦ Перед вводом в эксплуатацию проверьте оборудование.

Обслуживание

- ♦ Портативное оборудование должно быть отремонтировано снаружи или в мастерской, специально оборудованной для обслуживания оборудования с легковоспламеняющимися хладагентами.
- ♦ Обеспечьте достаточную вентиляцию на месте ремонта.
- ♦ Помните, что неисправность оборудования может быть вызвана потерей хладагента и возможна утечка хладагента.
- ♦ Разрядите конденсаторы таким образом, чтобы они не вызвали искрообразования. Стандартная процедура короткого замыкания контактов конденсатора обычно создает искры.
- ♦ Аккуратно соберите герметичные блоки. Если прокладки изношены, их нужно заменить.
- ♦ Перед вводом в эксплуатацию проверьте оборудование.

Ремонт

- ♦ Портативное оборудование должно быть отремонтировано снаружи или в мастерской, специально оборудованной для обслуживания приборов с легковоспламеняющимися хладагентами.
- ♦ Обеспечьте достаточную вентиляцию на месте ремонта.
- ♦ Помните, что неисправность оборудования может быть вызвана потерей хладагента, в этом случае.

возможна утечка хладагента.

- ♦ Разрядите конденсаторы таким образом, чтобы они не было искрообразования.
- ♦ Когда требуется пайка, следующие процедуры должны выполняться в правильном порядке:
- ♦ Удалите хладагент. Если рекуперация не обязательна в соответствии с национальным законодательством, слейте хладагент наружу.
- ♦ Следите за тем, чтобы слитый хладагент не вызывал никакой опасности. В случае сомнений, кто-то должен следить за его выходом. Соблюдайте особую осторожность, чтобы слитый хладагент не возвращался обратно в здание.

- ◆ Очистите контур хладагента.
- ◆ Продуйте контур хладагента азотом в течение 5 мин.
- ◆ Очистите вновь.
- ◆ Удалите части, подлежащие замене, срезая их, но с помощью огня.
- ◆ Продуйте место пайки азотом во время процедуры пайки.
- ◆ Перед зарядкой хладагента выполните проверку на герметичность.
- ◆ Аккуратно соберите герметичные блоки. Если пломбы изношены, их нужно заменить.
- ◆ Перед вводом в эксплуатацию проверьте оборудование.

Вывод из эксплуатации

- ◆ Если выведенное из строя оборудование влияет на уровень безопасности, перед выводом из эксплуатации зарядка хладагента должна быть удалена.
- ◆ Обеспечьте достаточную вентиляцию там, где располагается оборудование.
- ◆ Помните, что неисправность оборудования может быть вызвана потерей хладагента и возможна утечка хладагента.
- ◆ Разрядите конденсаторы таким образом, чтобы они не вызывали искробразования.
- ◆ Удалите хладагент. Если рекуперация не обязательна в соответствии с национальными законодательством, слейте хладагент наружу. Следите за тем, чтобы слитый хладагент не вызывал никакой опасности. В случае сомнений, кто-то должен следить за его выходом. Соблюдайте особую осторожность, чтобы слитый хладагент не возвращался обратно в здание.
- ◆ Очистите контур хладагента.
- ◆ Продуйте контур хладагента азотом в течение 5 мин.
- ◆ Очистите вновь.
- ◆ Заполните азотом до атмосферного давления.
- ◆ Сделайте метку на оборудовании, в котором был удален хладагент.

Размещение

- ◆ Обеспечьте достаточную вентиляцию на рабочем месте.
- ◆ Удалите хладагент. Если рекуперация не обязательна в соответствии с национальными законодательством, слейте хладагент наружу. Следите за тем, чтобы слитый хладагент не вызвал никакой опасности.
- ◆ В случае сомнений, кто-то должен следить за его выходом. Соблюдайте особую осторожность, следя за тем, чтобы слитый хладагент не возвращался обратно в здание.
- ◆ Освободите от содержимого контур хладагента.
- ◆ Продуйте контур хладагента азотом в течение 5 мин.
- ◆ Опорожните его еще раз.
- ◆ Вырежьте компрессор и слейте масло.

Транспортировка, маркировка и хранение приборов, которые содержат легковоспламеняющиеся хладагенты

- ◆ Транспортировка оборудования, содержащего легковоспламеняющиеся хладагенты. Обращаем ваше внимание на тот факт, что могут существовать дополнительные правила в отношении перевозки оборудования, содержащего легковоспламеняющийся газ. Максимальное количество единиц оборудования или конфигурация оборудования, разрешенного для перевозки, будет определяться соответствующими правилами по перевозке.

Маркировка оборудования с использованием знаков

- ◆ Знаки для аналогичных приборов, используемых на рабочем месте, обычно регулируются местными нормативами и соблюдают минимальные требования для обеспечения безопасности и / или охраны здоровья на рабочем месте.
- ◆ Все необходимые знаки должны быть сохранены, работодатель должен гарантировать, что сотрудники получают надлежащую и достаточную подготовку и обучение относительно значения соответствующих знаков безопасности и будут информированы о действиях, которые необходимо предпринять в связи с этими признаками.
- ◆ Эффективность предупреждающих знаков не должна уменьшаться из-за слишком большого количества знаков, размещенных вместе.
- ◆ Любая пиктограмма должны быть как можно более простой и содержать только существенные детали.

Утилизация оборудования с использованием легковоспламеняющихся хладагентов

- ◆ См. национальное законодательство.
- ◆ Хранение оборудования / приборов. Хранение оборудования должно осуществляться в соответствии с инструкциями производителя.
- ◆ Хранение упакованного (непроданного) оборудования. Защитная упаковка должна

быть сделана таким образом, чтобы возможные механические повреждения оборудования внутри упаковки не вызвали утечки заряда хладагента.

- ◆ Максимальное количество единиц оборудования, которые могут храниться вместе, будет определяться национальным законодательством.

Этот прибор выполнен в соответствии с Директивой по низковольтному оборудованию 2014/35/EU, Директивой по электромагнитной совместимости 2014/30/EU, Директивой 2011/65/EU, ограничивающей использование некоторых опасных веществ в электрическом и электронном оборудовании, а также Директивой 2009/125/EC по экологическим требованиям к изделиям, потребляющим энергию.

DEZUMIDIFICATOR BXDH12E BXDH20E

Stimate client,

Vă mulțumim că ați ales să cumpărați un produs marca BLACK+DECKER. Datorită tehnologiei sale, designului și modului de funcționare, precum și faptului că depășește cele mai stricte standarde de calitate, se poate garanta o utilizare complet satisfăcătoare și de lungă durată a produsului.



Vă rugăm să nu instalați și să nu folosiți dezumidificator înainte de a citi cu atenție prezentul manual. Vă rugăm să păstrați acest manual de instrucțiuni pentru o eventuală garanție a produsului și pentru consultări ulterioare.

AVERTISMENT

- ◆ Nu folosiți alte mijloace de accelerare a procesului de dezghețare sau de curățare decât cele recomandate de producător.
- ◆ Aparatul se va depozita într-o încăpere fără surse de aprindere care funcționează în mod continuu (de ex., flacăra deschisă, un aparat pe gaz aflat în funcțiune sau un radiator electric aflat în funcțiune).
- ◆ Nu se va înțepa și nu se va arde.
- ◆ Atenție! Este posibil ca agenții frigorifici să nu aibă miros.
- ◆ Aparatul va fi instalat, utilizat și păstrat într-o încăpere cu o suprafață mai mare de 4 m².

AVERTISMENT

- ◆ Informații specifice privind aparatele R290 agent frigorific gazos.
- ◆ Citiți cu atenție toate avertismentele.
- ◆ La dezghețarea și curățarea aparatului, nu folosiți alte instrumente decât cele recomandate de compania producătoare.
- ◆ Aparatul trebuie amplasat într-o zonă fără surse de aprindere continuă (de ex. flacăra deschisă, aparate pe bază de gaz sau electrice aflate în funcțiune).
- ◆ Nu se va înțepa și nu se va arde.
- ◆ Acest aparat conține 52g (v. plăcuța cu specificații de pe partea din spate a aparatului) de R290 agent frigorific gazos.
- ◆ R290 este un agent frigorific gazos care respectă directivele europene privind mediul înconjurător. Nu perforați nicio parte a circuitului frigorific.
- ◆ Dacă aparatul este instalat, utilizat sau păstrat într-un spațiu neventilat, încăperea trebuie proiectată astfel încât să prevină acumularea scurgerilor de agent frigorific care provoacă un risc de incendiu sau explozie

- ◆ ca urmare a aprinderii agentului frigorific, din cauza radiatoarelor electrice, sobelor sau a altor surse de aprindere.
- ◆ Aparatul trebuie păstrat astfel încât să se prevină deteriorarea sa mecanică.
- ◆ Persoanele care utilizează sau lucrează la circuitul frigorific trebuie să dețină o certificare corespunzătoare, emisă de o organizație acreditată, care să asigure competența în manipularea agenților frigorifici conform unei evaluări specifice recunoscute de asociațiile din domeniu.
- ◆ Reparațiile trebuie efectuate conform recomandărilor companiei producătoare. Operațiunile de întreținere și reparații care necesită asistență din partea altui personal calificat trebuie să fie efectuate sub supravegherea unei persoane specializate în utilizarea agenților frigorifici inflamabili.

RECOMANDĂRI ȘI AVERTIZĂRI PRIVIND SIGURANȚA

- ◆ Acest aparat poate fi utilizat de către copii cu vârsta minimă de opt ani și persoanele cu capacități fizice, senzoriale sau mentale reduse sau fără experiență și cunoștințe, în cazul în care aceștia sunt supravegheați sau au fost instruiți cu privire la utilizarea aparatului într-un mod sigur și înțeleg pericolele implicate.
- ◆ Acest aparat nu este o jucărie. Copiii trebuie supravegheați pentru a vă asigura că nu se joacă cu aparatul.
- ◆ Nu lăsați copiii să efectueze operațiuni de curățare și întreținere fără supraveghere.
- ◆ Instalați aparatul conform reglementărilor naționale privind conectarea.
- ◆ Lăsați un spațiu de 50 cm între pereți sau alte obstacole și aparat. Nu acoperiți și nici nu obstrucționați laturile aparatului, lăsați un spațiu de cel puțin 50 cm în jurul aparatului.
- ◆ Acest aparat necesită o ventilație adecvată pentru a funcționa în mod corespunzător.
- ◆ Dacă legătura la priză este deteriorată, aceasta trebuie înlocuită. Dacă apar probleme, duceți aparatul la un serviciu de asistență tehnică autorizat. Nu încercați să-l demontați sau să-l reparați fără ajutor, deoarece poate fi periculos.
- ◆ Acest aparat este destinat numai utilizării în gospodărie, nu celei profesionale sau industriale.
- ◆ Înainte de a conecta aparatul, asigurați-vă că tensiunea indicată pe plăcuța de identificare corespunde tensiunii de pe plăcuța cu specificații.

- ◆ Conectați aparatul la o priză care suportă cel puțin 10 amperi. Ștecherul aparatului trebuie să se potrivească la priză. Nu modificați niciodată ștecherul. Nu utilizați adaptoare pentru ștechere.
- ◆ Nu forțați cablul de conectare. Nu utilizați niciodată cablul de alimentare pentru a ridica, transporta sau decupla aparatul.
- ◆ Nu înfășurați cablul de alimentare în jurul aparatului.
- ◆ Verificați cablul de alimentare să nu fie ciupit sau îndoit.
- ◆ Nu permiteți cablului de alimentare să atârne sau să atingă suprafețele fierbinți ale aparatului.
- ◆ Verificați starea cablului de conectare electrică. Cablurile deteriorate sau încurcate măresc riscul de electrocutare.
- ◆ Ca protecție suplimentară la nivelul instalației electrice care alimentează aparatul, se recomandă utilizarea unui dispozitiv de curent diferențial cu o sensibilitate de cel mult 30 mA. Consultați-vă cu un instalator.
- ◆ Nu atingeți ștecherul cu mâinile ude.
- ◆ Nu folosiți aparatul cu cablul de alimentare sau ștecherul deteriorat.
- ◆ Dacă oricare dintre incintele aparatului se deteriorează, opriți imediat aparatul.
- ◆ Pentru a evita posibilitatea unei electrocutări.
- ◆ Nu utilizați aparatul dacă a fost scăpat pe jos, dacă există semne vizibile de deteriorare sau dacă prezintă scurgeri.
- ◆ Utilizați aparatul într-o zonă bine ventilată.
- ◆ Dacă aparatul se folosește în aceeași încăpere cu alte aparate pe bază de gaz sau combustibil, acestea trebuie să fie bine ventilată.
- ◆ Nu așezați aparatul în bătaia directă a soarelui.
- ◆ Așezați aparatul pe o suprafață orizontală, plană, stabilă, ferită de sursele de căldură și de contactul cu apa.
- ◆ Nu utilizați și nici nu depozitați aparatul la exterior.
- ◆ Nu expuneți aparatul la ploaie sau umezeală. Apa ce pătrunde în aparat crește riscul de electrocutare.
- ◆ AVERTISMENT: Nu utilizați aparatul în apropierea apei.
- ◆ Nu forțați cablul de conectare. Nu utilizați niciodată cablul de alimentare pentru a ridica, transporta sau decupla aparatul. Țineți aparatul departe de sursele de căldură și de marginile ascuțite.

UTILIZARE ȘI ÎNGRIJIRE:

- ◆ Înainte de fiecare utilizare, deconectați complet cablul de alimentare de la sursa de energie.
- ◆ Nu utilizați aparatul dacă întrerupătorul pornit/oprit nu funcționează. Nu demontați piciorușele aparatului. Nu mișcați aparatul în timpul utilizării.
- ◆ Folosiți mânerul pentru a apuca sau transporta aparatul.
- ◆ Nu răsturnați aparatul în timpul utilizării sau dacă este conectat la rețeaua de alimentare.
- ◆ Deconectați aparatul de la rețeaua de alimentare atunci când nu îl utilizați și înainte de a efectua orice operațiuni de curățare.
- ◆ Depozitați aparatul într-un loc care să nu fie la îndemâna copiilor și/sau a persoanelor cu capacități fizice, senzoriale ori mentale reduse, sau care nu sunt familiarizate cu utilizarea acestuia.
- ◆ Nu-l expuneți la temperaturi extreme. Păstrați aparatul într-un loc uscat, lipsit de praf și care nu se află în lumina directă a soarelui. Nu lăsați niciodată aparatul nesupravegheat. Astfel se economisește energie și se prelungește durata de viață a aparatului.
- ◆ Înainte de a muta aparatul, îndepărtați și goliți rezervorul de apă. Acțiunea de vărsare a apei poate deteriora părțile interne ale dezumidificatorului.
- ◆ Utilizați mânerul cu ajutorul rotilelor* pentru a apuca sau transporta aparatul astfel încât să evitați rănirea și să ușurați transportul.
- ◆ *(Doar pentru modelul BXDH20E) Pentru a asigura funcționarea corespunzătoare a sistemului de purificare a aerului, filtrul HEPA trebuie să fie înlocuit după aproximativ fiecare 2000 de ore de utilizare. Pentru achiziționarea filtrelor noastre HEPA, puteți contacta serviciul nostru de asistență tehnică.

Serviciu

- ◆ Orice utilizare necorespunzătoare sau nerespectare a instrucțiunilor de utilizare poate fi periculoasă și poate anula garanția și răspunderea producătorului.
- ◆ Asigurați-vă că serviciul este reparat numai de personal specializat și se utilizează doar piese de schimb sau accesorii originale pentru înlocuirea pieselor / accesoriilor existente.

DESCRIERE

- A Mâner
- B Panou de control
- C Panou frontal

- D Panoul posterior
- E *Capac rezervor de apă
- F *Mâner rezervor de apă
- G Rezervor de apă
- H Rotile
- I Cadru de filtru
- J Orificiu de scurgere
- K Coloana de depozitare a cablului de alimentare
- L Filtru *HEPA 13
- M Furtun de scurgere

(*) Disponibil doar pentru modelul BXDH20E

Dacă modelul aparatului dvs. nu conține accesoriile descrise mai sus, acestea pot fi achiziționate și separat de la Service-ul de Asistență Tehnică.

Panou de control

- 1 Temporizator
- 2 Uscare interioară
- 3 Viteza aerului
- 4 Rezervor plin
- 5 Ecran LED
- 6 Control umiditate
- 7 Regim/Uscare haine
- 8 ON/OFF (PORNIT/OPRIT)

Instalare

- ◆ Asigurați-vă că înlăturați tot materialul ambalajului din interiorul aparatului.
- ◆ *(Doar pentru modelul BXDH20E) Îndepărtați cadrul filtrului. Deschideți punga de plastic ce conține filtrul HEPA și introduceți-o în spațiul pentru filtru. Așezați la loc cadrul filtrului. Asigurați-vă că este fixat în poziția corectă.
- ◆ Este recomandat să introduceți tampoane sau foi de cauciuc pentru amortizare etc. sub acest dezumidificator pentru a reduce vibrația, zgomotul și posibila umezire a podelelor din lemn sau a mochetelor.

INSTRUCȚIUNI DE UTILIZARE

Înainte de utilizare:

- ◆ Asigurați-vă că ați îndepărtat toate ambalajele produsului.
- ◆ Unele piese ale aparatului au fost lubrificate ușor. În consecință, la prima utilizare a produsului este posibil să observați fum. După o perioadă scurtă de timp, fumul va dispărea.
- ◆ Pentru a elimina mirosul emis de aparat la prima utilizare, este recomandat să îl mențineți la putere maximă timp de 2 ore, într-o cameră bine aerisită.

Utilizare:

- ◆ Desfășurați complet cablul înainte de a-l introduce în priză.
- ◆ Conectați aparatul la rețeaua principală de alimentare.
- ◆ Porniți aparatul, apăsând butonul de pornire/oprire (8).
- ◆ Selectați funcția dorită

REGIM:

- ◆ Apăsați pe butonul de regim (7) pentru a selecta regimul automat sau regimul de uscarea hainelor.
- ◆ În regim automat, aparatul va funcționa până când este atins procentul setat de umiditate. Procentul standard de umiditate este de 50 %. Pentru mai multe detalii, consultați secțiunea FUNCȚIA DE SETARE A UMIDITĂȚII.
- ◆ Funcția de uscarea hainelor permite reducerea timpului de uscarea hainelor prin reducerea umidității. Pentru a vedea mai multe detalii despre acest regim, consultați secțiunea FUNCȚIA DE USCARE A HAINELOR.
- ◆ Indicatorul luminos de mai sus indică regimul selectat.

FUNCȚIE TEMPORIZATOR:

- ◆ Apăsați butonul temporizatorului (1) pentru a activa această funcție.
- ◆ Ecranul LED (4) va afișa timpul selectat.
- ◆ Reglați timpul dorit apăsând pe buton de câte ori este nevoie pentru a stabili numărul de ore dorite (1-24 h). Cu fiecare apăsare mai adăugați o oră.
- ◆ Odată ce ajungeți la timpul dorit, încetați să mai apăsați pe buton. După cinci secunde, va fi confirmat timpul setat.
- ◆ Indicatorul luminos de mai sus se va aprinde.

- ◆ Pentru a anula configurarea temporizatorului, apăsați de două ori în mod continuu după confirmarea timpului.

FUNCȚIA DE USCARE INTERIOARĂ:

- ◆ Apăsați butonul de uscare interioară (2) pentru a activa această funcție.
- ◆ Indicatorul luminos de mai sus se va aprinde.
- ◆ Această funcție permite uscarea interioară a aparatului pentru a preveni formarea de mucegai în interior. Acest procedeu durează aproximativ o oră.
- ◆ Dehumidificatorul pornește la o viteză ridicată a aerului și eliberează aer în continuu timp de 30 de minute. Apoi începe să își reducă viteza timp de aproximativ 20 de minute.
- ◆ Pentru a anula această funcție, apăsați din nou butonul.
- ◆ Activați această funcție înainte de a depozita dehumidificatorul pentru a preveni formarea de mucegai în interiorul aparatului.

FUNCȚIA DE SETARE A UMIDITĂȚII:

- ◆ Rețineți faptul că această funcție este disponibilă doar în „regim automat”.
- ◆ Apăsați butonul de setare a umidității (6) pentru a activa această funcție.
- ◆ După apăsarea butonului, va fi afișat un procent de umiditate.
- ◆ De fiecare dată când apăsați pe buton, procentul de umiditate va crește cu 5 % până va atinge procentul maxim de 80 %, apoi va scădea la 30 %.
- ◆ Odată ce ați atins procentul dorit de umiditate, încetați să mai apăsați pe buton. Aparatul va continua să funcționeze până când procentul de umiditate al încăperii va ajunge la o valoare cu 5 % mai mică decât cea aleasă. Compresorul se va opri, dar ventilatorul va continua să funcționeze la viteza setată.
- ◆ Ecranul LED va afișa procentul selectat de umiditate.

FUNCȚIA DE USCARE A HAINELOR:

- ◆ Apăsați butonul de regim (7) pentru a selecta această funcție. Indicatorul luminos de mai sus indică regimul selectat.
- ◆ Această funcție activează compresorul indiferent de gradul de umiditate din încăpere. Acest lucru permite uscarea mai rapidă a hainelor.
- ◆ Pentru a anula această funcție, apăsați din nou pe buton pentru a trece la regimul automat.

VITEZA VENTILATORULUI:

- ◆ Selectați viteza dorită a ventilatorului (ridicată sau scăzută) apăsând butonul pentru ventilator (3).
- ◆ Indicatorul luminos va indica viteza selectată.

BLOCAREA PENTRU COPII *(DOAR PENTRU MODELUL BXDH20E):

- ◆ Apăsați îndelung pe butonul de regim (7) timp de cel puțin trei secunde pentru activarea acestei setări.
- ◆ Toate tastele din panoul de comandă vor fi dezactivate.
- ◆ Pentru a debloca panoul de comandă, repetați procesul de pornire.

SCURGERE (REZERVOR DE APĂ):

- ◆ După ce rezervorul de apă s-a umplut, pictograma care indică acest lucru (4) va începe să lumineze intermitent. Aparatul va emite, de asemenea, un sunet zgomotos pentru a avertiza utilizatorul.
- ◆ După ce rezervorul de apă s-a umplut, compresorul și ventilatorul vor înceta să mai funcționeze.
- ◆ Continuați prin îndepărtarea rezervorului de apă. Apucați părțile adâncite cu câte o mână pentru a îndepărta ușor rezervorul de apă.
- ◆ Îndepărtați capacul* rezervorului de apă și scurgeți apa.
- ◆ Puneți din nou capacul pe rezervorul de apă și așezați rezervorul la loc în aparat pentru a reporni dehumidificatorul.

SCURGERE (SCURGERE CONTINUĂ):

- ◆ În cazul în care nu doriți să goliți rezervorul de apă de fiecare dată când acesta se umple, puteți conecta țeava de scurgere furnizată (cu un diametru interior de 9 mm) la orificiul de scurgere (J) pentru a scurge apa în mod continuu.
- ◆ Pentru a instala țeava, localizați orificiul de scurgere, deșurubați capacul scurgerii și scoateți dopul. Conectați țeava de scurgere de 9 mm la orificiu.
- ◆ Partea joasă a țevii de scurgere a apei trebuie să fie cu 10 cm mai jos decât nivelul orificiului de scurgere a apei.
- ◆ Nu lăsați capătul țevii în apă. Vă recomandăm să îl montați într-un loc care permite scurgerea continuă a apei.
- ◆ Mențineți țeava de scurgere a apei într-o poziție uniformă, în caz contrar, este posibil ca apa să nu se scurgă în mod corespunzător.
- ◆ Consultați imaginea de mai jos pentru a vă lămurii în privința utilizării scurgerii continue. Fig. 1

După utilizarea aparatului:

- ◆ Opriți aparatul apăsând butonul (8) pornit / oprit
- ◆ Scoateți aparatul din priză.
- ◆ Strângeți cablul utilizând coloana de depozitare a cablului de alimentare (K).
- ◆ Curățați aparatul.

MÂNER ȘI ROTILE* PENTRU TRANSPORT:

- ◆ Acest aparat dispune de un mâner pe partea sa superioară pentru un transport ușor și comod (A)
- ◆ *(Doar pentru modelul BXDH20E) Există patru roțile (H) pentru a facilita transportul aparatului și a preveni rănirea.

CURĂȚARE

- ◆ Deconectați aparatul de la sursa de alimentare și lăsați-l să se răcească înainte de a-l curăța.
- ◆ Curățați echipamentul electric și conexiunea la rețeaua electrică utilizând o lavetă umedă, apoi uscați-l. NU INTRODUCEȚI NICIODATĂ APARATUL ÎN APĂ SAU ÎN ALT LICHID.
- ◆ Curățați aparatul cu o cârpă umedă și câteva picături de detergent lichid, apoi uscați-l.
- ◆ Nu utilizați solvenți sau produse cu pH acid sau bazic, precum înălbitori sau produse abrazive, pentru curățarea aparatului.
- ◆ Nu permiteți ca apa sau orice alt lichid să pătrundă în gurile de aerisire pentru a evita deteriorarea pieselor interne ale aparatului.
- ◆ Nu scufundați niciodată aparatul în apă sau în orice alt lichid și nu lăsați apa să curgă pe acesta.
- ◆ Dacă aparatul nu este bine curățat, suprafața acestuia se poate deteriora, afectând în mod inevitabil durata de funcționare, devenind nesigur pentru utilizare.
- ◆ Apoi uscați toate piesele înainte de asamblare și depozitare.

Curățarea filtrului de aer:

- ◆ Curățați filtrele de aer la fiecare 2 săptămâni. Dacă filtrul de aer este blocat cu praf, eficacitatea sa va fi redusă.
- ◆ Spălarea filtrelor de aer prin imersarea lor cu atenție, în apă caldă și cu un detergent neutru, apoi clătiți-le și lăsați-le să se usuce complet la umbră.
- ◆ Instalați cu atenție filtrele după curățare.
- ◆ *(Doar pentru modelul BXDH20E) Pentru a asigura funcționarea corespunzătoare a sistemului de purificare a aerului, filtrul HEPA trebuie să fie înlocuit după aproximativ fiecare 2000 de ore de utilizare. Pentru achiziționarea filtrelor noastre HEPA, puteți contacta serviciul nostru de asistență tehnică.

ANOMALII ȘI REPARAȚII

- ◆ Dacă se detectează orice anomalie, verificați tabelul următor:

Anomalii	Cauza	Soluția
Dezumidificatorul nu funcționează.	A căzut ștecărul?	Introduceți ștecărul în priză.
	Este rezervorul de apă plin sau așezat într-o poziție incorectă?	Scurgeți apa din rezervorul de apă și apoi așezați-l din nou în poziție.
	Temperatura ambiantă este mai scăzută de 5 °C sau mai ridicată de 32 °C.	Fenomen normal. Aparatul nu funcționează în aceste condiții din motive de siguranță.
Funcția de dezumidificare nu este eficientă.	Temperatura camerei sau umiditatea este prea scăzută?	Capacitatea de dezumidificare va scădea în condiții uscate.
	Orificiul de admisie și cel de ieșire a aerului sunt blocate?	Îndepărtați obiectele care blochează orificiul de admisie și cel de ieșire a aerului.
Aerul nu este evacuat.	Filtrul de aer este blocat?	Curățați filtrul de aer conform metodei recomandate anterior.
Zgomotul este anormal în timpul funcționării.	Dezumidificatorul este așezat incorect, într-o poziție înclinată sau instabilă?	Vă rugăm să așezați dezumidificatorul pe o suprafață uniformă.
	Filtrul de aer este blocat?	Curățați filtrul de aer conform metodei recomandate anterior.
	Se aude un sunet similar celui de curgere a apei.	Este sunetul curgerii agentului frigorific, ceea ce este un fenomen normal.
Există o scurgere de apă.	Conexiunea cu țeava de scurgere este slăbită	Strângeți țeava de scurgere.
	Sistemul de scurgere este blocat	Îndepărtați obstacolele și îndreptați țeava de scurgere a apei.
Se formează gheață.	Temperatura mediului ambiant este scăzută și se află în starea de așteptare a dezghețării.	Este un fenomen normal, iar dezumidificatorul are încorporată funcția de dezghețare automată.
În cazul în care nu reușiți să găsiți soluția potrivită în acest tabel, vă rugăm să contactați serviciul de asistență tehnică.		



Aparatul conține un agent frigorific inflamabil.

PENTRU VERSIUNILE UE ALE PRODUSULUI ȘI/SAU DACĂ SE APLICĂ ÎN ȚARA DVS.:

ECOLOGIE ȘI RECICLAREA PRODUSULUI

- ◆ Materialele ce constituie ambalajul acestui aparat sunt integrate într-un sistem de colectare, clasificare și reciclare. Dacă doriți să le aruncați, vă rugăm să folosiți pubelele publice corespunzătoare fiecărui tip de material.
- ◆ Produsul nu conține substanțe în concentrații care ar putea fi considerate ca dăunătoare pentru mediu.



Acest simbol înseamnă că, dacă doriți să eliminați produsul după durata sa de viață utilă, trebuie să îl eliminați prin mijloacele corespunzătoare aflate la dispoziția unui manager de deșuri autorizat pentru colectarea selectivă a

Deșeurilor de Echipamente Electrice și Electronice (DEEE).

GARANȚIE ȘI ASISTENȚĂ TEHNICĂ

- ◆ Acest produs beneficiază de recunoașterea și protecția garanției legale în conformitate cu legislația în vigoare. Pentru a vă exercita drepturile sau interesele, trebuie să vă adresați unuia dintre serviciile noastre oficiale de asistență tehnică. Puteți găsi cel mai apropiat serviciu de asistență tehnică accesând următorul link web: <http://www.2helpu.com/> De asemenea, puteți solicita informații conexe, contactându-ne (consultați ultima pagină a manualului). Puteți descărca acest manual de instrucțiuni și actualizările sale la <http://www.2helpu.com/>

INSTRUCȚIUNI PENTRU REPARAREA APARATELOR CE CONȚIN R290

INSTRUCȚIUNI GENERALE

- ◆ Verificări ale zonei înainte de a începe lucrul la sisteme care conțin agenți frigorifici inflamabili, sunt necesare verificări de siguranță pentru a garanta reducerea la minim a riscului de aprindere. Înainte de a începe reparațiile la sistemul frigorific, trebuie respectate următoarele precauții înainte de a efectua lucrări la nivelul sistemului.

Procedura de lucru

- ◆ Lucrările se vor efectua conform unei proceduri controlate, pentru a reduce la minim riscul prezenței de gaze sau vapori inflamabili în timpul efectuării lucrărilor.

Zona generală de efectuare a lucrărilor

- ◆ Întreg personalul de întreținere și alte persoane care lucrează în zona respectivă vor fi instruite cu privire la natura lucrărilor efectuate. Va fi evitat lucrul în spații închise. Zona din jurul spațiului de lucru va fi delimitată. Asigurați-vă că zona a fost securizată prin controlul materialelor inflamabile.

Verificarea prezenței agentului frigorific

- ◆ Zona va fi verificată cu ajutorul unui detector corespunzător pentru agenți frigorifici, în timpul lucrărilor și înaintea acestora, pentru a garanta faptul că tehnicianul este conștient de existența unor atmosfere potențial inflamabile. Asigurați-vă că echipamentul de detectare a scurgerilor folosit este adecvat pentru utilizarea cu agenți frigorifici inflamabili, adică nu provoacă scântei, este etanșat corect și este sigur în mod intrinsec.

Prezența stingătorului de incendiu

- ◆ Dacă se vor efectua lucrări la cald pe echipamentele frigorifice sau pe orice componente asociate, trebuie să aveți la îndemână echipamente corespunzătoare pentru stingerea incendiului. Trebuie să aveți la îndemână un stingător de incendiu cu pulbere uscată sau cu CO₂ în apropierea zonei de încărcare.

Absența surselor de aprindere

- ◆ Nicio persoană care efectuează lucrări la un sistem frigorific, ce implică expunerea unor țevi ce conțin sau au conținut agent frigorific inflamabil nu trebuie să folosească surse de aprindere astfel încât să provoace un risc de incendiu sau de explozie. Toate sursele de aprindere posibile, inclusiv fumatul, trebuie să fie ținute la distanță suficientă față de locul de instalare, reparații și eliminare, operațiuni în timpul cărora în spațiul dimprejur se pot elibera agenți frigorifici inflamabili. Înainte de efectuarea lucrărilor, zona din jurul echipamentului trebuie examinată, pentru a garanta absența oricăror pericole sau riscuri de aprindere sau de incendiu. Se vor afișa semne cu „Fumatul interzis”.

Zonă ventilată

- ◆ Asigurați-vă că zona se află în aer liber sau că este bine ventilată, înainte de a demonta sistemul sau de a efectua orice lucrări la cald. Pe perioada efectuării lucrărilor trebuie asigurat un anumit grad de ventilare. Ventilarea ar trebui să asigure dispersarea în siguranță a oricărui agent frigorific eliberat și, de preferință, eliminarea acestuia în exterior, în atmosferă.
- ◆ Verificarea echipamentului frigorific Atunci când se schimbă componente electrice, acestea vor fi adecvate scopului și vor fi conforme cu specificația corectă. Vor fi respectate în permanență instrucțiunile de întreținere și de service ale producătorului. În caz de dubii, consultați departamentul tehnic al producătorului pentru asistență. Instalațiile care folosesc agenți frigorifici inflamabili vor fi supuse următoarelor verificări:

mări- mea încălzirii este conformă cu dimensiunea încăperii în care sunt instalate componentele care conțin agent frigorific; echipamentele frigorifice și ieșirile funcționale corect și nu sunt obstrucționate; dacă se folosește un circuit frigorific indirect, se va verifica circuitul secundar pentru prezența agentului frigorific; marcajele echipamentului sunt în continuare vizibile și lizibile.

- ◆ Marcajele și semnele ilizibile vor fi corectate; țeava sau componentele frigorifice sunt instalate într-o poziție unde este improbabil să fie expuse la vreo substanță ce poate coroda componentele ce conțin agent frigorific, cu excepția cazului în care componentele sunt realizate din materiale cu rezistență inerentă la coroziune sau care sunt protejate în mod corespunzător împotriva coroziunii.

Verificarea dispozitivelor electrice

- ◆ Reparațiile și întreținerea componentelor electrice vor include verificările inițiale de siguranță și procedurile de inspecție a componentelor. În cazul existenței unui defect care ar putea compromite siguranța, la circuit nu se va conecta nicio alimentare electrică până ce defectul nu va fi soluționat în mod satisfăcător. Dacă defectul nu poate fi corectat imediat, dar este necesar ca aparatul să funcționeze în continuare, se va folosi o soluție temporară adecvată. Aceasta va fi raportată proprietarului aparatului, astfel încât toate părțile să fie informate.
- ◆ Verificările inițiale de siguranță vor include: faptul că condensatoarele sunt descărcate: aceasta se va realiza într-o manieră sigură pentru a evita posibilitatea formării de scântei; că nu sunt expuse componente electrice și cabluri aflate sub tensiune în timpul încărcării, recuperării sau purjării sistemului; că împământarea este continuă.

REPARAȚII ALE COMPONENTELOR ETANȘE

- ◆ În timpul reparațiilor efectuate asupra componentelor etanșe, orice alimentare electrică va fi deconectată de la echipamentul la care se lucrează înainte de demontarea capacelor etanșe etc. Dacă este absolut necesar ca echipamentul să fie alimentat electric în timpul operațiunii de întreținere, o formă permanent funcțională de detectare a scurgerilor trebuie să fie amplasată în punctul cel mai critic, pentru a avertiza cu privire la o situație potențial periculoasă.
- ◆ Se va acorda atenție în special următoarelor aspecte, pentru a garanta că, prin lucrul la componentele electrice, incinta nu este modificată astfel încât să fie afectat nivelul de protecție.
- ◆ Aceasta va include deteriorarea cablurilor, numărul excesiv de conexiuni, borne nerealizate conform specificației originale, deteriorarea garniturilor, montarea incorectă a presetupelor etc. Asigurați-vă că aparatul este montat în siguranță. Asigurați-vă că garniturile sau materialele de etanșare nu s-au deteriorat într-o asemenea măsură încât să nu mai poată servi scopului de a preveni pătrunderea gazelor inflamabile. Componentele de înlocuire vor fi conforme cu specificațiile producătorului.
- ◆ NOTĂ: Utilizarea unor agenți de etanșare din silicon poate inhiba eficacitatea unor tipuri de echipamente de detectare a scurgerilor. Componentele cu siguranță intrinsecă nu trebuie să fie izolate înainte de a efectua lucrări asupra lor.

REPARAȚII LA NIVELUL COMPONENTELOR CU SIGURANȚĂ INTRINSECĂ

- ◆ Nu aplicați circuitului sarcini inductive sau capacitive permanente fără să vă asigurați că aceasta nu va depăși tensiunea permisă și curentul permis pentru echipamentul folosit. Componentele cu siguranță intrinsecă sunt singurul tip de componente la care se poate lucra sub tensiune în prezența unei atmosfere inflamabile. Aparatul de testare trebuie să aibă specificațiile corespunzătoare. Înlocuiți componentele doar cu piese specificate de producător. Utilizarea altor piese poate conduce la aprinderea agentului frigorific din atmosferă, ca urmare a unei scurgeri.

CABLURILE

- ◆ Verificați cablurile să nu fie supuse uzurii, coroziunii, presiunii excesive, vibrațiilor, mușchilor ascuțiți sau oricărui altor efecte ambientale nedorite. De asemenea, verificarea va lua în calcul efectele îmbătrânirii sau ale vibrației continue din surse precum compresoare sau ventilatoare.

DETECTAREA AGENȚILOR FRIGORIFICI INFLAMABILI

- ◆ Sub nicio formă nu se vor folosi potențiale surse de aprindere în căutarea sau detectarea scurgerilor de agenți frigorifici. Nu se vor folosi lanterne cu halogen (sau orice alt detector ce folosește o flacără deschisă).

METODE PENTRU DETECTAREA SCURGERILOR

- ◆ Următoarele metode de detectare a scurgerilor sunt considerate acceptabile pentru sistemele ce conțin agenți frigorifici inflamabili. Pentru detectarea agenților frigorifici inflamabili se vor folosi detectoare electronice pentru scurgeri, însă este posibil ca sensibilitatea să nu fie adecvată sau să fie necesară recalibrarea. (Echipamentele de detectare se vor calibra într-o zonă fără agenți frigorifici.) Asigurați-vă că detectorul nu este o potențială sursă de aprindere și că este adecvat pentru agentul frigorific folosit. Echipamentele de detectare a scurgerilor se vor seta la un procent din LFL al agentului frigorific și vor fi calibrate în funcție de agentul frigorific folosit și se confirmă procentul

adecvat de gaz (maxim 25%). Fluidele pentru detectarea scurgerilor sunt adecvate pentru utilizarea cu majoritatea agenților frigorifici, însă se va evita utilizarea de detergenți care conțin clor, deoarece clorul poate reacționa cu agentul frigorific, corodând țevile din cupru. În cazul în care se suspectează o scurgere, toate flăcările deschise trebuie eliminate/stinse. Dacă se depistează o scurgere de agent frigorific care necesită lipire tare, tot agentul frigorific se va recupera din sistem sau va fi izolat (cu ajutorul ventilelor de izolare) într-o parte a sistemului aflată la distanță față de scurgere.

- ◆ Apoi, azotul fără oxigen (OFN) va fi purjat prin sistem atât în timpul procesului de lipire tare, cât și după acesta.

ELIMINAREA ȘI EVACUAREA

- ◆ La demontarea circuitului agentului frigorific pentru a efectua reparații sau în orice alt scop se vor folosi proceduri convenționale. Totuși, este important să fie respectate cele mai bune practici, deoarece trebuie luată în calcul posibilitatea de incendiu. Se va respecta următoarea procedură: eliminați agentul frigorific; purjați circuitul cu gaz inert; evacuați; purjați din nou cu gaz inert; deschideți circuitul prin tăiere sau lipire tare. Încărcătura de agent frigorific va fi recuperată în cilindri de recuperare adecvați. Sistemul va fi „spălat” cu OFN pentru a garanta siguranța aparatului. Poate fi nevoie ca acest proces să fie repetat de câteva ori. Pentru această activitate nu se va folosi oxigen sau aer comprimat.
- ◆ Spălarea se va realiza prin desfacerea vidului din sistem cu OFN și prin umplerea în continuare până la realizarea presiunii de lucru, apoi ventilarea în atmosferă și în final extragerea pentru formarea vidului. Acest proces se va repeta până ce nu va mai exista agent frigorific în sistem. Când se folosește încărcarea finală cu OFN, sistemul va fi ventilat până la presiunea atmosferică pentru a permite realizarea lucrărilor. Această acțiune este absolut vitală dacă trebuie efectuate operațiuni de lipire tare la nivelul țevilor.
- ◆ Asigurați-vă că ieșirea pompei de vid nu este apropiată de nicio sursă de aprindere și că există ventilație.

PROCEDURI DE ÎNCĂRCARE

- ◆ Pe lângă procedurile de încărcare convenționale, se vor respecta următoarele cerințe:
- ◆ Asigurați-vă că atunci când folosiți echipamente de încărcare nu sunt contaminați diferiți agenți frigorifici. Furtunurile sau țevile trebuie să fie cât mai scurte, pentru a reduce la minim volumul de agent frigorific din ele.
- ◆ Cilindrii vor fi ținuti în poziție verticală.
- ◆ Asigurați-vă că sistemul frigorific este împământat înainte de a încărca agent frigorific în el.
- ◆ Etichetați sistemul când încărcarea este completă (dacă nu ați făcut-o deja).
- ◆ Trebuie să aveți mare grijă să nu supraumpleți sistemul frigorific.
- ◆ Înainte de a reîncărca sistemul, trebuie testat la presiune cu OFN. Sistemul va fi testat la scurgeri, la finalizarea încărcării, dar înaintea punerii în funcțiune. Înainte de a părăsi locația se va efectua un test de control al scurgerilor.

SCOATEREA DIN FUNCȚIUNE

- ◆ Înainte de a efectua această procedură, este esențial ca tehnicianul să fie familiarizat pe deplin cu echipamentul și toate detaliile acestuia. Se recomandă ca agenții frigorifici să fie recuperați în siguranță. Înainte de efectuarea acestei activități, se va preleva o mostră de ulei și de agent frigorific, în cazul în care este necesară o analiză înainte de reutilizarea agentului frigorific recuperat. Este esențial să fie disponibil curent electric înainte de a începe activitatea.
- ◆ a) Familiarizați-vă cu aparatul și cu funcționarea acestuia.
- ◆ b) Izolați electric sistemul.
- ◆ c) Înainte de a încerca procedura, asigurați-vă că: sunt disponibile echipamente de manipulare mecanică, dacă este necesar, pentru manipularea cilindrilor cu agent frigorific; sunt disponibile și utilizate corect toate echipamentele de protecție personală; procesul de recuperare este supravegheat în permanență de o persoană competentă; echipamentele de recuperare și cilindrii respectă standardele adecvate.
- ◆ d) Goliți sistemul frigorific prin pompare, dacă este posibil.
- ◆ e) Dacă nu este posibilă vidarea, realizați un colector astfel încât agentul frigorific să poată fi eliminat din diferite părți ale sistemului
- ◆ f) Asigurați-vă că cilindrul este amplasat pe cântar înainte de a realiza recuperarea.
- ◆ g) Porniți aparatul de recuperare și utilizați-l conform instrucțiunilor producătorului.
- ◆ h) Nu supraumpleți cilindrul. (Încărcare cu lichid de cel mult 80% din volum).
- ◆ i) Nu depășiți presiunea maximă de lucru a cilindrului, nici măcar temporar.
- ◆ j) Când cilindrul a fost umplut corect, iar procesul a fost finalizat, asigurați-vă că cilindrii și echipamentul sunt eliminate prompt din locație și că toate ventilele de izolare ale echipamentului sunt închise.
- ◆ k) Agentul frigorific recuperat nu va fi încărcat în alt sistem frigorific decât dacă a fost curățat și verificat.

ETICHETARE

- ◆ Echipamentul va fi etichetat precizându-se că a fost scos din funcțiune și golit de

agentul frigorific. Eticheta va fi datată și semnată.

- ◆ Asigurați-vă că pe echipament sunt atașate etichete care menționează că acesta conține agent frigorific inflamabil.

RECUPERAREA

- ◆ La eliminarea agentului frigorific din sistem, pentru efec-tuarea de operațiuni de întreținere sau pentru scoaterea din funcțiune, se recomandă eliminarea în siguranță a tuturor agenților frigorifici. Când transferați agent frigorific în cilindri, asigurați-vă că sunt folosiți doar cilindri corespunzători pentru recuperarea agentului frigorific.
- ◆ Asigurați-vă că este disponibil numărul corect de cilindri pentru încărcătura totală a sistemului. Toți cilindrii ce ur-mează a fi folosiți sunt concepuți pentru agentul frigorific recuperat și etichetați pentru el (cilindri speciali pentru recuperarea agentului frigorific). Cilindrii trebuie să fie prevăzuți cu supapă de eșapare a presiunii și ventile de izolare asociate, în stare perfectă de funcțiune. Cilindrii de recuperare goi sunt evacuați și, pe cât posibil, răciți înainte de realizarea recuperării.
- ◆ Echipamentul de recuperare va fi în stare bună de fun- cționare, cu un set de instru- cțiuni privind echipamentele care să fie la îndemână și adecvat pentru recuperarea agenților frigorifici inflamabili. În plus, trebuie să fie dis- ponibil un set de cântare calibrate și funcționale. Furtu- nurile trebuie să fie prevăzute cu cuplaje de deconectare fără scurgeri, funcționale. Înainte de a folosi aparatul de recuperat, asigurați-vă că acesta funcționează în mod satisfăcător, că a fost întreținut corespunzător și că orice componente electrice asociate sunt etanșate pentru a preveni aprinderea în cazul unei eliberări de agent frigorific. Consultați producătorul dacă aveți dubii.
- ◆ Agentul frigorific recuperat va fi returnat furnizorului de agent frigorific în cilindrul de recuperare corect și se va completa Nota de transfer deșeurilor corespunzătoare. Nu amestecați agenții frigorifici în unitățile de recuperare și mai ales în cilindri. Dacă tre- buie eliminate uleiuri de compresor sau compresoare, asigurați-vă că acestea au fost evacuate la un nivel acceptabil, pentru a vă asigura că în lubrifianț nu rămâne agent frigorific inflamabil.
- ◆ Procesul de evacuare se efectuează înainte de a returna compresorul la furnizori. Pentru a accelera acest proces se va folosi doar încălzirea electrică a corpului compre- sorului. Când uleiul este drenat dintr-un sistem, acest lucru trebuie să se facă în siguranță.

COMPETENȚA PERSONALULUI DE

SERVICE

- ◆ Generalități
- ◆ Este necesară o instruire suplimentară pe lângă proce- durile uzuale de reparare a echipamentelor frigorifice, atunci când sunt afectate echipamentele cu agenți frigorifici inflamabili.
- ◆ În numeroase țări, această instruire este efectuată de organizații naționale de instruire acreditate pentru pre- darea standardelor naționale relevante de competențe, astfel cum sunt stabilite prin lege.
- ◆ Competența obținută trebuie să fie dovedită printr-un certificat.

Instruirea

- ◆ Instruirea ar trebui să includă esența următoarelor aspecte:
- ◆ Informații privind potențialul exploziv al agenților frigorifici inflamabili, care să arate că substanțele inflamabile pot fi periculoase atunci când nu sunt manipulate cu atenție.
- ◆ Informații privind potențiale surse de aprindere, în special cele care nu sunt evidente, precum brichetele, întrerupătoarele de lumină, aspiratoarele, radiatoarele electrice.
- ◆ Informații privind diferite concepte de siguranță:
- ◆ Neventilat (v. Clauza GG.2) Siguranța aparatului nu depinde de ventilația carcasei. Oprirea aparatului sau deschiderea carcasei nu are niciun efect semnificativ asupra siguranței. Totuși, este posibil ca agentul frigorific care curge să se acumu- leze în incintă, iar la deschiderea incintei să se elibereze o atmosferă inflamabilă.
- ◆ Incintă ventilată (v. Clauza GG.4) Siguranța aparatului depinde de ventilația carcasei.
- ◆ Oprirea aparatului sau deschiderea incintei are un efect semnificativ asupra siguranței.
- ◆ Ar trebui luate măsuri pentru asigurarea unei ventilații prealabile suficiente.
- ◆ Încăpere ventilată (v. Clauza GG.5) Siguranța aparatului depinde de ventilația încăperii.
- ◆ Oprirea aparatului sau deschiderea carcasei nu are niciun efect semnificativ asupra siguranței.
- ◆ Ventilația încăperii nu trebuie să fie oprită în timpul procedurilor de reparații.
- ◆ Informații privind noțiunea de componente etanșe și incinte etanșe cf. IEC 60079-15:2010.
- ◆ Informații privind procedurile de lucru corecte:

Punerea în funcțiune

- ◆ Asigurați-vă că suprafața este suficientă pentru încăr- cătura de agent frigorific sau că țeava de ventilație este asamblată corect.

- ◆ Conectați țevile și efectuați un test de scurgere înainte de încărcarea cu agent frigorific.
- ◆ Verificați echipamentul de siguranță înainte de punerea în funcțiune.

Întreținerea

- ◆ Aparatele portabile se vor repara afară sau într-un atelier special echipat pentru efec- tuarea de operațiuni la aparatele cu agent frigorific inflamabil.
- ◆ Asigurați o ventilație suficientă a locului unde se efec- tuează reparațiile.
- ◆ Rețineți că pierderea agentului frigorific poate provoca defecțiuni ale echipamentului și că este posibilă apariția unor scurgeri ale agentului frigorific.
- ◆ Descărcați condensatoarele astfel încât să nu provocați scântei. Procedura standard de scurtcircuitare a bornelor condensatoarelor provoacă, de regulă, scântei.
- ◆ Reasamblați incintele etanșe în mod corespunzător. Dacă garniturile sunt uzate, înlocuiți-le.
- ◆ Verificați echipamentul de siguranță înainte de punerea în funcțiune.

Reparațiile

- ◆ Aparatele portabile se vor repara afară sau într-un atelier special echipat pentru efec- tuarea de operațiuni la aparatele cu agent frigorific inflamabil.
- ◆ Asigurați o ventilație suficientă a locului unde se efec- tuează reparațiile.
- ◆ Rețineți că pierderea agentului frigorific poate provoca defecțiuni ale echipamentului și că este posibilă apariția unor scurgeri ale agentului frigorific.
- ◆ Descărcați condensatoarele astfel încât să nu provocați scântei.
- ◆ Dacă este necesară lipirea tare, se vor efectua urmă- toarele proceduri, în ordinea corectă:
- ◆ Scoateți agentul frigorific. Dacă reglementările naționale nu impun recuperarea, scur- geți agentul frigorific în exterior.
- ◆ Asigurați-vă că agentul frigorific scurs nu va provoca pericole. În caz de dubii, ieșirea trebuie păzită de o persoană. Aveți grijă ca agentul frigorific scurs să nu revină în clădire.
- ◆ Evacuați circuitul agentului frigorific.
- ◆ Purjați circuitul frigorific cu azot timp de 5 min.
- ◆ Evacuați din nou.
- ◆ Scoateți componentele ce trebuie înlocuite prin tăiere, nu cu flacăra.
- ◆ Purjați punctul de lipire tare cu azot în timpul procedurii de lipire tare.
- ◆ Efectuați un test de scurgeri înainte de încărcarea cu agent frigorific.
- ◆ Reasamblați incintele etanșe în mod corespunzător. Dacă garniturile sunt uzate, înlocuiți-le.
- ◆ Verificați echipamentul de siguranță înainte de punerea în funcțiune.

Scoaterea din funcțiune

- ◆ Dacă siguranța este afectată atunci când echipamentul este scos din funcțiune, agentul frigorific trebuie eliminat înainte de scoaterea din funcțiune.
- ◆ Asigurați o ventilație suficientă a locului unde se află echipamentul.
- ◆ Rețineți că pierderea agentului frigorific poate provoca defecțiuni ale echipamentului și că este posibilă apariția unor scurgeri ale agentului frigorific.
- ◆ Descărcați condensatoarele astfel încât să nu provocați scântei.
- ◆ Scoateți agentul frigorific. Dacă reglementările naționale nu impun recuperarea, scur- geți agentul frigorific în exterior. Asigurați-vă că agentul frigorific scurs nu va provoca pericole. În caz de dubii, ieșirea trebuie păzită de o persoană. Aveți grijă ca agentul frigorific scurs să nu revină în clădire.
- ◆ Evacuați circuitul agentului frigorific.
- ◆ Purjați circuitul frigorific cu azot timp de 5 min.
- ◆ Evacuați din nou.
- ◆ Umpleți cu azot până la presiunea atmosferică.
- ◆ Puneți pe echipament o etichetă care să arate că agen- tul frigorific a fost scos.

Eliminarea

- ◆ Asigurați o ventilație suficientă a locului unde se efec- tuează lucrările.
- ◆ Scoateți agentul frigorific. Dacă reglementările naționale nu impun recuperarea, scur- geți agentul frigorific în exterior. Asigurați-vă că agentul frigorific scurs nu va provoca pericole. În caz de dubii, ieșirea trebuie păzită de o persoană. Aveți grijă ca agentul frigorific scurs să nu revină în clădire.
- ◆ Evacuați circuitul agentului frigorific.
- ◆ Purjați circuitul frigorific cu azot timp de 5 min.
- ◆ Evacuați din nou.
- ◆ Opiți compresorul și drenați uleiul.

Transportul, marcarea și depozitarea pentru aparatele care folosesc

agenți frigorifici inflamabili

Transportul echipamentelor care conțin agenți frigorifici inflamabili

- ◆ Se atrage atenția asupra faptului că pot exista reglementări suplimentare privind transportul în ceea ce privește echipamentele ce conțin gaze inflamabile. Numărul maxim al componentelor sau configurația echipamentului ce pot fi transportate împreună vor fi stabilite prin reglementările de transport aplicabile.

Marcarea echipamentelor cu ajutorul semnelor

- ◆ În reglementările locale sunt precizate semnele pentru aparate similare folosite într-o zonă de lucru, precum
- ◆ și cerințele minime pentru furnizarea semnelor de siguranță și/sau sănătate pentru un spațiu de lucru.
- ◆ Trebuie utilizate toate semnele impuse, iar angajatorii trebuie să se asigure că angajații primesc instrucțiuni și instruire adecvate și suficiente privind semnificația semnelor de siguranță corespunzătoare și privind măsurile ce trebuie luate în legătură cu acestea.
- ◆ Eficacitatea semnelor nu trebuie diminuată prin aglomerarea prea multor semne.
- ◆ Toate pictogramele folosite trebuie să fie cât mai simple și să conțină doar detalii esențiale.

Eliminarea echipamentelor care conțin agenți frigorifici inflamabili

- ◆ Consultați reglementările naționale.

Depozitarea echipamentelor/aparatelor

- ◆ Echipamentele trebuie depozitate conform instrucțiunilor producătorului.
- ◆ Depozitarea echipamentelor ambalate (nevândute)
- ◆ Echipamentele depozitate trebuie ambalate astfel încât deteriorarea mecanică a echipamentului din ambalaj să nu provoace scurgerea agentului frigorific.
- ◆ Numărul maxim al echipamentelor ce pot fi depozitate împreună va fi stabilit prin reglementările locale aplicabile.

Acest aparat respectă Directiva 2014/35/EU cu privire la echipamentele electrice destinate utilizării în cadrul unor anumite limite de tensiune, Directiva 2014/30/EU cu privire la compatibilitatea electromagnetică, Directiva 2011/65/EU privind restricțiile de utilizare a anumitor substanțe periculoase în echipamentele electrice și electronice, precum și Directiva 2009/125/EC de instituire a unui cadru pentru stabilirea cerințelor în materie de proiectare ecologică aplicabile produselor cu impact energetic.

ОБЕЗВЛАЖНИТЕЛ BXDH12E BXDH20E

Уважаеми клиенти:

Благодарим Ви, че закупихте електроуред с марката BLACK+DECKER. Технологията, дизайнът и функционалността на същия, както и фактът, че надвишава найстриктните норми за качество, ще Ви донесат пълно и дълготрайно задоволство от него.



Моля, не поставяйте и не използвайте Обезвлажнител, преди да прочетете внимателно настоящия наръчник. Съхранете настоящия наръчник като евентуална гаранция на продукта и за бъдещи препратки.

ВНИМАНИЕ

- ◆ Използвайте само средства за ускоряване на размразяването или за почистване, препоръчани от производителя.
- ◆ Уредът следва да се съхранява в помещение, в което да няма източници за непрекъснато горене, като например открит/и пламък/ци, работещ на газ уред или работеща електрическа печка.
- ◆ Не пробивайте и не горете продукта.
- ◆ Не забравяйте, че охладителните течности може да издават мирис.
- ◆ Уредът следва да се инсталира, да се работи с него и да се съхранява в помещение с подова площ, надвишаваща 4 m².

ВНИМАНИЕ

- ◆ Информация, отнасяща се до уреди с охладителен газ. R290.
- ◆ Моля прочетете внимателно всички предупреждения за безопасност.
- ◆ Когато размразявате и почиствате уреда, моля използвайте само инструментите, препоръчани от фирмата производител.
- ◆ Уредът следва да се съхранява в помещение, в което да няма източници за непрекъснато горене, като например открит/и пламък/ци, работещ на газ уред или работеща електрическа печка.
- ◆ Не пробивайте и не горете продукта.
- ◆ Настоящият уред съдържа 52 грама охлаждащ газ R290.
- ◆ R290 е охлаждащ газ, изпълняващ всички европейски директиви за опазване на околната среда. Моля не пробивайте никоя част от охлаждащия кръг.
- ◆ Ако уредът е инсталиран, работи се с него или е

складиран на непроветрено място, помещението следва да бъде проектирано така, че да се избегне изтичане на охладител, което изтичане създава риск за възникване на пожар или взрив поради запалването на охлаждащата течност, предизвикано от електрически отоплителни уреди, печки или други източници на пожар.

- ◆ Уредът следва да бъде съхраняван по такъв начин, че да се избегнат механични повреди.
- ◆ Лицата, работещи с охлаждащия кръг следва да разполагат със съответните разрешителни, издадени от акредитирана организация, които разрешителни да гарантират, че лицата притежават необходимата компетентност при работа с охладители, в съответствие със специфично оценяване, признато от индустриалните сдружения.
- ◆ Поправките следва да се извършват въз основа на препоръката на фирмата производител. Поддръжката и поправките, изискващи намесата на друг квалифициран персонал следва да се извършват под надзора на лице, специализирано в работа със запаляеми охладители.

СЪВЕТИ И ПРЕДУПРЕЖДЕНИЯ ЗА БЕЗОПАСНОСТ.

- ◆ Този уред може да бъде използван от хора, неумеещи да боравят с този вид продукти, хора с физически увреждания или деца над 8 години, но само и единствено ако се намнират под надзора на някой възрастен човек или ако предварително им е обяснено как безопасно да използват уреда, а също и ако разбират съществуващите рискове.
- ◆ Този уред не е играчка. Децата следва да се намират под надзор, така че да не си играят с уреда.
- ◆ Не допускайте деца да извършват почистване или поддръжка на уреда без надзор.
- ◆ Моля, инсталирайте уреда съгласно действащите във Вашата страна норми за окабеляване.
- ◆ Моля, оставете 50 см. разстояние между уреда и стените или други препятствия. Не покривайте и не запушвайте уреда от страни, оставете около него най-малко 50 см разстояние.
- ◆ Уредът се нуждае от подходящо проветряване, за да работи добре.
- ◆ В случай на повреден захранващ кабел, същият следва да се подмени. Отнесете уреда в оторизиран сервис за техническо обслужване. Не се опитвайте да го разглобите или ремонтирате, тъй като това може да се окаже опасно.

◆ Този уред е предназначен единствено за битови нужди, не за професионална нито промишлена употреба.

- ◆ Преди да свържете уреда към мрежата, проверете дали посоченото на табелката с техническите характеристики напрежение съвпада с напрежението на електрическата мрежа.
- ◆ Включете уреда в заземен източник на електрически ток, който да издържа най-малко 10 ампера.
- ◆ Щепселът на уреда следва да съвпада по вид с електрическия контакт. В никакъв случай не променяйте вида на щепсела. Не използвайте адаптори за щепсела.
- ◆ Не упражнявайте сила върху електрическия кабел. В никакъв случай не използвайте електрическия кабел за повдигане, пренасяне или изключване на апарата.
- ◆ Не навивайте електрическия кабел около уреда.
- ◆ Уверете се, че електрическият кабел не е прищипан или прегънат.
- ◆ Не допускайте електрическият кабел да се допира до горещите повърхности на уреда.
- ◆ Проверявайте състоянието на захранващия кабел. Ако кабелът е повреден или навит около апарата, това повишава опасността от електрически удар.
- ◆ Като допълнителна защита към електрическата инсталация, която захранва уреда, препоръчва се да разполагате с устройство за диференциален ток с максимална чувствителност 30 mA. Направете справка са монтажник на такива уреди.
- ◆ Не пипайте с мокри ръце щепсела за включване в мрежата.
- ◆ Не използвайте уреда при повреден кабел или щепсел.
- ◆ Ако някоя част от корпуса на апарата се повреди, незабавно го изключете от мрежата, за да избегнете опасност от електрически удар.
- ◆ Забранена е употребата на уреда, ако същият е изпускан на земята или ако по него личат признаци за дефекти, или при наличие на утечка.
- ◆ Използвайте уреда на добре проветрено място.
- ◆ В случай, че ползвате уреда в едно и също помещение заедно с други уреди – газови или работещи с горива на петролна основа, помещението следва задължително добре да се проветрява.
- ◆ Не поставяйте уреда на места, където може да попадне под пряко въздействие на слънчева светлина.
- ◆ Поставете уреда върху равна и стабилна повърхност, способна да издържа на високи температури, далеч от други източници на топлина и от евентуални пръски вода.
- ◆ Не използвайте и не съхранявайте уреда на открито.
- ◆ Не излагайте уреда на дъжд и влага. Водата, проникнала в уреда повишава риска от електрически удар.
- ◆ **ВНИМАНИЕ!** Не използвайте уреда в близост до вода.
- ◆ Не упражнявайте сила върху електрическия кабел. В никакъв случай не използвайте електрическия кабел за повдигане, пренасяне или изключване на уреда. Не използвайте уреда в близост до източници на топлина или повърхности с остри ръбове.

Употреба и поддръжка :

- ◆ Преди всяка употреба, развийте докрай захранващия кабел на апарата.
- ◆ Не използвайте уреда при повреден бутон за вкл./ изкл. Не сваляйте крачетата на уреда. Не движете уреда, докато работи.
- ◆ Използвайте дръжките, за да хванете или пренесете уреда.
- ◆ Не обръщайте уреда, докато работи или е включен в електрическата мрежа.
- ◆ Изключете захранването от мрежата, когато уредът не се използва, и преди извършване каквато и да било операция по почистване.
- ◆ Съхранявайте този уред извън досега на деца и/или хора с намалени физически, сензорни или умствени възможности, или такива без опит и знания за боравене с уреда.
- ◆ Не излагайте уреда на крайно висока температура. Съхранявайте уреда на сухо място, без прах и отдалечен от слънчевата светлина. Никога не оставяйте включения уред без наблюдение. По този начин ще спестите енергия и ще удължите живота на ел. уреда.
- ◆ Неправилното използване на уреда или неспазването на указанията за работа е опасно, анулира гаранцията и освобождава производителя от отговорност.
- ◆ Преди да придвижите уреда извадете и изпразнете водния резервоар. Разлятата вода може да повреди вътрешните части на уреда.
- ◆ За да избегнете възможни травми и премествате уреда с лекота моля използвайте ръкохватките.
- ◆ *(Само при модел BXDH20E). За обезпечаване правилната работа на системата за пречистване на въздуха, подменяйте филтъра HEPA на приблизително всеки 2000 часа употреба. За закупуване на нови филтри, обърнете се към службата за

техническо обслужване.

обслужване

- ◆ Уверете се, че услугата е поправена само от специализиран персонал и се използват само резервни части или аксесоари оригинали за замяна на частите / аксесоарите съществуващ.
- ◆ Всяка злоупотреба или несъгласие инструкциите за употреба могат да бъдат опасни, като анулира гаранцията и отговорността на Фабрикант.

ОПИСАНИЕ

A	Ръкохватка за пренасяне
B	Контролно табло
C	Челно табло
D	Задно табло
E	Капак на водния контейнер*
F	Ръкохватка на контейнера за вода*
G	Резервоар за вода
H	Колела
I	Рамка на филтъра
J	Дренажен изход
K	Колона за съхранение на кабела
L	Филтър HEPA 13*
M	Маркуч на сифона

(*) Налице единствено за модел BXDH20E

Ако Вашият модел уред не притежава някои от гореописаните аксесоари, те могат да бъдат закупени отделно в сервизите за техническо обслужване.

КОНТРОЛЕН ПАНЕЛ

- 1 Таймер
- 2 Вътрешно сушене
- 3 Скорост на въздухопотока
- 4 Пълен резервоар
- 5 LED Дисплей
- 6 Контрол на влажността
- 7 Настройка/ „Сушене на дрехи“
- 8 „ON/OFF“

Монтаж

- ◆ Проверете дали сте извадили всички опаковки от вътрешността на уреда.
- ◆ *(Отнася се само за модел BXDH20E). Отстранете рамката от филтъра. Извадете филтъра HEPA от пластмасовата торба и го поставете на мястото, предназначено за филтъра. Поставете отново рамката на филтъра. Уверете се, че е застопорен в правилното положение.
- ◆ За да намаляване на вибрацията, шума и възможни повреди на килимите, поставете под обезвлажнителя възглавнички, гумени ивици или подобни.

НАЧИН НА УПОТРЕБА

Забележки преди употреба:

- ◆ Уверете се, че изцяло сте отстранили опаковката на уреда.
- ◆ Някои части на уреда са леко смазани, поради което, при включване за първи път е възможно уредът да започне слабо да дими. Скоро след това, димът ще изчезне.
- ◆ За да премахнете миризмата, отделяща се при първата употреба на уреда, препоръчва се да го поддържате включен на максимална мощност в продължение 2 часа, в добре проветрено помещение.

Употреба:

- ◆ Преди употреба развийте напълно захранващия кабел на уреда.
- ◆ Включете уреда към електрическата мрежа.
- ◆ Включете уреда чрез прекъсвача за включване/изключване (1).
- ◆ Изберете желаните режим

РЕЖИМ:

- ◆ Натиснете бутона за режим (7), за да изберете автоматичен режим или режим за сушене на дрехи.
- ◆ В автоматичен режим уредът работи, докато достигне избрания процент влажност. По подразбиране този процент е 50%. За повече сведения моля направете справка с раздел „ФУНКЦИЯ „НАСТРОЙКА НА ВЛАЖНОСТТА““
- ◆ Функция „сушене на дрехи“ позволява намаляване времето за сушене, намалявайки влажността на същите. За повече сведения моля направете справка с раздел „ФУНКЦИЯ „СУШЕНЕ НА ДРЕХИ““
- ◆ Горният светлинен индикатор показва избрания режим.

ФУНКЦИЯ „ТЕМПОРИЗАТОР“ (ТАЙМЕР):

- ◆ Натиснете бутона на темпоризатора (1) за да действат тази функция.
- ◆ Екранът LED ще изпише избрания час.
- ◆ Нагласете времето, натискайки бутона толкова пъти, колкото е необходимо (1-24 h). Всяко натискане прибавя по един час.
- ◆ След достигане на желаното време, отпуснете бутона. След 5 секунди се потвърждава избраното време.
- ◆ Горният светлинен индикатор ще светне.
- ◆ За прекратяване на настройката на темпоризатора, натиснете два пъти, след като часът бъде потвърден.

ФУНКЦИЯ „ВЪТРЕШНО СУШЕНЕ“:

- ◆ Натиснете бутона за вътрешно сушене (2).
- ◆ Горният светлинен индикатор ще светне.
- ◆ Тази функция изсушава вътрешността на уреда, за да се избегне образуването на мухъл. Приблизителната продължителност е около 1 час.
- ◆ Обезвлажнителят постоянно изпуска високоскоростен въздух в продължение на 30 минути. След това скоростта спада до ниска в продължение на 20 минути.
- ◆ За деактивирате тази функция натиснете отново бутона.
- ◆ Преди да съхраните обезвлажнителя, задействайте тази функция, за да избегнете образуването на мухъл във вътрешността му.

ФУНКЦИЯ „НАСТРОЙКА НА ВЛАЖНОСТТА“ :

- ◆ Тази функция е на разположение единствено в автоматичен режим.
- ◆ Натиснете бутона за настройване на влажността (6).
- ◆ Ще се изпише процентна стойност на влажността.
- ◆ Всеки път, когато натиснете бутон процентът на влажността нараства с 5% до достигането на най-много 80%, след което се връща на 30%.
- ◆ След достигане на желания процент, отпуснете бутона. Уредът работи, докато влажността на стаята не достигне 5% под избраната. Тогава компресорът ще спре, но вентилаторът ще продължава работата си на избраната скорост.
- ◆ На екрана LED ще се изпише избраният час.

ФУНКЦИЯ „СУШЕНЕ НА ДРЕХИ“

- ◆ Натиснете бутона за режим (7), за да изберете тази функция. Горният светлинен индикатор показва избрания режим.
- ◆ Тази функция задейства компресора, независимо от влагата в помещението. Това позволява по-бързо изсушаване на дрехите.
- ◆ За да прекратите тази функция натиснете отново бутона; уредът ще премине на автоматичен режим.

СКОРОСТ НА ВЕНТИЛАТОРА:

- ◆ Натиснете бутона на вентилатора (3), за да изберете скоростта (висока или ниска).
- ◆ Горният светлинен индикатор указва избраната скорост.

БЛОКИРОВКА ЗА ДЕЦА *(САМО ПРИ МОДЕЛ VXDH20E):

- ◆ За задействане на тази функция, моля задръжте бутона за режим (7) в продължение най-малко на 3 секунди.
- ◆ Вследствие на това бутоните на контролното табло престават да работят.
- ◆ Повторете горния процес за блокиране на табло.

ДРЕНАЖ НА ВОДНИЯ РЕЗЕРВОАР

- ◆ След напълване на резервоара, изображението за пълен резервоар (4) ще започне да примигва. Уредът ще издаде звуков сигнал.

- ◆ Компресорът и вентилаторът ще престанат да работят.
- ◆ Извадете водния резервоар. Поставете ръце на вдлъбнатите места в контейнера и внимателно го извадете.
- ◆ Отворете капака на водния резервоар* и го изпразнете.
- ◆ Отново поставете капака и контейнера на местата им, за да задействате обезвлажнителя отново.

НЕПРЕКЪСНАТ ДРЕНАЖ

- ◆ За обезпечаване на непрекъснат дренаж уредът предлага възможността за свързване на доставения маркуч (вътрешен Ø 9 мм) към дренажния изход (J).
- ◆ За поставяне на маркуча намерете изхода за дрениране, развийте покритието и извадете капачката. Скачете маркуча към изхода.
- ◆ Долният край на маркуча следва да се намира на най-малко 10 см под изхода на водата.
- ◆ Краят на маркуча не може да остане във водата. Следва да се постави на място, позволяващо непрекъснатия дренаж на водата.
- ◆ Маркучът следва постоянно да е опънат, така че водата да изтича правилно.
- ◆ За повече сведения за непрекъснатия дренаж преминете към следващата фигура. Fig. 1

След приключване на работата с уреда:

- ◆ Спрете уреда от бутона за включване/изключване.
- ◆ Изключете апарата от електрическата мрежа.
- ◆ Съберете кабела, използвайки колоната за неговото прибиране (K).
- ◆ Почистете уреда.

РЪКОХВАТКИ И КОЛЕЛЦА*:

- ◆ Този уред е снабден с една дръжка в горната си част за лесно и удобно пренасяне (A).
- ◆ *(Отнася се само за модел VXDH20E). Уредът разполага с 4 колелца (H), улесняващи преместването му и предотвратяващи щети.

ПОЧИСТВАНЕ

- ◆ Изключете уреда от захранващата мрежа и го оставете да изстине, преди да започнете да го почиствате.
- ◆ Почистете електрическата част и щепсела с влажна кърпа, след което ги подсушете. В НИКАКЪВ СЛУЧАЙ НЕ ПОТАПАЙТЕ ЕЛЕКТРИЧЕСКАТА ЧАСТ И ЩЕПСЕЛА ВЪВ ВОДА ИЛИ ДРУГА НЯКАКВА ТЕЧНОСТ.
- ◆ Почистете уреда с влажна кърпа, напоена с няколко капки миеш препарат.
- ◆ За почистването на уреда не използвайте разтворители и препарати с киселинен или основен рН фактор, като белина и абразивни продукти.
- ◆ Не допускайте проникването на вода през вентилационните отвори; в противен случай може да предизвикате повреда на работните части във вътрешността на уреда.
- ◆ Не потапяйте уреда във вода или друга течност, нито го поставяйте под крана на чешмата.
- ◆ Ако уредът не се поддържа чист, повърхността му може да се повреди, и това необратимо да засегне продължителността на живота му, а също и да стане повод за произшествия.
- ◆ Подсушете всички части, преди поставянето им или преди да ги складирате.
- ◆ Почистване на въздушния филтър:
- ◆ Почиствайте въздушните филтри на всеки 2 седмици. Ако въздушния филтър е задръстен с прах, неговата ефикасност намалява.
- ◆ Измийте въздушните филтри, като внимателно ги потапяте в топла вода с неутрален миялен апарат, изплаквате ги и ги оставяте да изсъхнат напълно на сенчесто място.
- ◆ След почистването на филтрите, поставете ги внимателно отново.
- ◆ *(Само при модел VXDH20E). За обезпечаване правилната работа на системата за пречистване на въздуха, подменяйте филтъра HEPA на приблизително всеки 2 000 часа употреба. За закупуване на нови филтри, обърнете се към службата за техническо обслужване.

НЕИЗПРАВНОСТИ И РЕМОНТ

- ◆ В случай, че забележите някаква нередност, моля консултирайте се със следната таблица:

Неизправности	Причина	Разрешение на проблема
Уредът не работи.	Да не би да пада щепселът?	Вкарайте щепсела в електрическия контакт.
	Да не би водният резервоар да е пълен или лошо поставен?	Изпразнете водата от водния резервоар и го поставете отново.
	Околната температура е по-ниска от 5 °C или по-висока от 32 °C.	Това е нормално явление. Уредът не работи по съображения за сигурност.
Обезвлажняването не е успешно.	Дали околната температура или влажността не са прекалено ниски?	Способността за обезвлажняване намалява в сухи условия.
	Да не би изходът и входът за въздух да са задръстени?	Отстранете препятстващите предметите от изхода и входа за въздуха.
Въздухът не излиза.	Да не би да е задръстен въздушния филтър?	Почистете филтъра, следвайки предишните указания.
Неестествен шум по време на работа.	Да не би обезвлажнителят да е наклонен или поставен нестабилно?	Поставете обезвлажнителя на подравнено място.
	Да не би да е задръстен въздушният филтър?	Почистете филтъра, следвайки предишните указания.
	Чува се звук като лек смях.	Това е течашата охладителна течност и е нещо естествено.
Водни течове.	Разхлабено свързване към водата.	Закрепете дренажната маркуч.
	Дренажната система е задръстена.	премахнете задръстващите предмети и изправете маркуча.
Появява се скреж.	Температурата е прекалено ниска и се изчаква режимът на размразяване.	Това е нормално явление. Обезвлажнителят разполага с функция за автоматично размразяване.
Ако не откриете решение на проблемите, изложени в таблицата, моля свържете се със службата за техническа помощ.		



Уредът съдържа запалим хладилен агент.

За разновидностите в ЕС на това изделие и/или в случая, приложим за Вашата страна:

Опазване на околната среда и рециклиране на изделието.

- ♦ Материалите, от които изработена опаковката на този електроуред са включени в системата за тяхното събиране, класифициране и рециклиране. Ако желаете да се освободите от тях, използвайте обществените контейнери, пригодени за всеки отделен вид материал. В изделието няма налични концентрации на вещества, които могат да бъдат определени като вредни за околната среда.



Този символ означава, че ако желаете да се освободите от уреда след изтичане на експлоатационния му живот трябва да го предадете по подходящ начин на фирма за преработка на отпадъци, оторизирана за разделно събиране на отпадъци от електрическо и електронно оборудване (ОЕЕО).

ГАРАНЦИЯ И ТЕХНИЧЕСКА ПОМОЩ

- ♦ Настоящият продукт има законна гаранция, в съответствие с действащото законодателство. За да упражните правата си на потребител следва да се насочите към някой от нашите оторизирани сервиси. Най-близкия до Вас сервис можете да откриете на следния линк: <http://www.2helpu.com/>. Също така, можете да потърсите информация, свързвайки се с нас (вижте на последната страница на наръчника). Наръчника с указания и неговите осъвременявания можете да свалите на следния <http://www.2helpu.com/>

УКАЗАНИЯ ЗА ПОПРАВКА НА Без запалителни източници ЕЛЕКТРОУРЕДИ, СЪДЪРЖАЩИ R290 ОБЩИ УКАЗАНИЯ

- ♦ Контролни дейности в пространството, където е поставена системата С цел гарантиране на минимален риск от запалване, преди да започнете работа със системи, съдържащи запалими охладители се изисква извършването на контролни дейности. За поправка на охладителната система, преди извършване на дейности в нея следва да се предприемат следните предпазителни мерки.

Начин на работа

- ♦ С цел свеждане до минимум на риска от наличието на запалими газ или пара, работата следва да се извършва при контролирана процедура.

Пространство за обща работа

- ♦ Персоналът по поддръжка и другите лица, работещи на определеното пространство следва да получат указания за естеството на извършващата се

работа. Избягвайте работа в затворени помещения. Мястото около работното пространство следва да се отцепи.

- ♦ Уверете се, че условията на работното място са безопасни, като проконтролирате запалимия материал.

Проверка за наличие на охладител

- ♦ Преди и по време на работа мястото следва да се провери с подходящ детектор на охладители. Така техническият персонал проверява, дали във въздуха са налице потенциално запалими вещества. Уверете се, че екипировката за защита от утечки, която използвате е подходяща за работа със запалими охладители, т.е. дали притежава противоовлажняващи свойства, дали се затваря херметично и дали по начало осигурява добра защита.

Пожарогасител

- ♦ Ако предстои извършването на работа „на горещо“ в охладителния уред или някоя свързана с него част следва да сте снабдени с подходящи противопожарни средства. Непосредствено до мястото за зареждане съхранявайте пожарогасител със суха прах или CO₂.
- ♦ При извършване работа по охладителна система, включваща работа с тръби, съдържащи или съдържащи запалим охладител, лицето, извършващо тази дейност В НИКАКЪВ СЛУЧАЙ не бива да използва източници на запалване, така че да не предизвика пожар или взрив. Всички възможни източници на запалване, включително тези вследствие на тютюнопушене следва да се държат на достатъчно далечно разстояние от мястото на инсталиране, поправка и отстраняване, тъй като по време на тези дейности може да изтече запалем охладител в околното пространство. Преди извършване на съответната дейност следва да се провери добре пространството около уреда с цел да се уверите, че няма опасни запалими вещества и не съществува опасност от запалване. Следва да се поставят надписи „Пушенето е забранено“.

Проветрение

- ♦ Преди да вкарате охладителната система или преди извършване на каквато и да било работа „на горещо“, уверете се, че мястото е открито или че е добре проветрено. По време на извършването на работата следва да се поддържа известна вентилация.
- ♦ Вентилацията следва напълно и безопасно да разсейва всякакъв освободен охладител, като по възможност го изтласква в атмосферата.

Контрол на охладителния уред

- ♦ Когато се подменят електрически компоненти, същите следва да съответстват на тази цел, а също и да имат правилната спецификация. Указанията за поддръжка и сервис на производителя следва да се спазват строго. Ако възникне някакъв въпрос, моля обърнете се за помощ към техническата служба на производителя. Към инсталации, използващи запалими охладители се прилагат следните проверки: дали величината на зареждането се намира в съответствие с размера на помещението, където се инсталират съдържащите охладител части; дали

машините за вентилация и изходите работят изправно и дали не са запушени; в случай, че се използва индиректен кръг за охлаждане следва да се провери за наличие на охладител във вторичния кръг; дали означението на екипа е видимо и добре четимо. Нечетливите означения и знаци следва да се поправят. Следва да се провери дали тръбите и охладителните компоненти са инсталирани в такова положение, че да бъде малко вероятно да бъдат изложени на вещество, което да разяде съдържащия охладител компонент, или поне компонентите да бъдат изготвени от материали, по начало резистентни на разяждане, или пък да бъдат правилно защитени от разяждане.

Контролни дейности на електрическите устройства

- ◆ Поправката и поддръжката на електрическите компоненти следва да включват начални контролни дейности по безопасност и процедури за проверка на компонентите. При наличие на неизправност, застрашаваща безопасността не бива да се включва никакво електрозахранване, докато неизправността не бъде отстранена задоволително. В случай, че неизправността не може да бъде отстранена незабавно, но е необходимо операцията да продължи, в този случай следва да се използва съответстващо временно решение на въпроса. Това последното следва да бъде съобщено на собственика на уреда, така че да бъдат осведомени всички имащи отношение към този въпрос страни.
- ◆ Първоначалните проверки за безопасност следва да съдържат следното: дали кондензаторите са разредени (това следва да се извършва по безопасен начин с цел избягване възможността за възникване на искри); дали по време на зареждането, възстановяването и прочистването на системата няма открити кабели и активни електрически компоненти; дали случайно заземяването не е прекъснато.

ПОПРАВКА НА ХЕРМЕТИЧНИ КОМПОНЕНТИ

- ◆ Преди отстраняване на херметичните покрития и т.н., по време на поправката на херметичните компоненти всякакво подаване на електроенергия следва да бъде изключено от екипа. Ако е налице крайна нужда да се подава електрозахранване на екипа по време на обслужването му, следва най-критичната точка да се установи непрекъснато следене за утечки с цел предотвратяване възникването на потенциално опасно положение.
- ◆ За да се подсигурим, че при работата с електрокомпоненти обвивката не ще се промени, така че да бъде засегнато равнището на защита, особено внимание следва да се обърне на следното. Това следва да включва повреди на кабелите, прекален брой връзки, терминали, неосъществени според оригиналната спецификация, повреди по уплътнителите, щуцерите и т.н. Уверете се, че уредът е монтиран по безопасен начин. Уверете се, че уплътнителите и материалите, осигуряващи херметичността не са повредени така, че вече да не могат да предотвратят достъпа на запалими газове. Резервните части следва да отговарят на спецификациите на производителя.
- ◆ БЕЛЕЖКА: Употребата на силициев херметизатор може да намали ефективността на някои видове уреди за откриване на утечки. Не е необходимо компонентите, които по само себе си са безопасни да бъдат изолирани, преди да се пристъпи към работа върху тях.

ПОПРАВКА НА ПО НАЧАЛО БЕЗОПАСНИ КОМПОНЕНТИ

- ◆ Не прилагайте индуктивен товар или такъв с постоянен капацитет на кръга, ако не сте се уверили предварително, че това не надвишава разрешения волтаж и ток за използвания уред.
- ◆ По съществуто си безопасните компоненти са единствените, върху които може да се извършва поправка в леснозапалима атмосфера. Уредът за изпробване следва да притежава надлежна квалификация. Подменяйте компонентите само с части, указани от производителя. Нерегламентирани части могат да предизвикат утечка, а оттам запалване на охладителя в атмосферата.

КАБЕЛИ

- ◆ Моля, уверете се че кабелите не са подложени на амортизация, на действие на разяждащи субстанции, на прекален натиск, на вибрации, остри ръбове или каквото и да е вредно въздействие в околната среда. Проверката също следва да отчита ефекта от амортизацията или от постоянните вибрации, породени от източници като компресори или вентилатори.

ОТКРИВАНЕ НА ЗАПАЛИМИ ОХЛАДИТЕЛИ

- ◆ При търсене или откриване на утечки в никакъв случай не следва да се използват потенциални източници на запалване. Не бива да използвате халогенна факла или каквото и да било детектор на открит пламък.

МЕТОДИ ЗА ОТКРИВАНЕ НА УТЕЧКИ

- ◆ Следните методи за откриване на утечки се считат за приемливи за системи, съдържащи запалими охладители. За откриване на запалими охладители е необходимо да се използват електронни детектори на утечки, но тяхната

чувствителност може да се окаже неподходяща и съответно да се наложи пренастройка. (Детекторът следва да се настройва на място, където няма охладител) Уверете се, че самият детектор не представлява потенциален източник на запалване, а също и че отговаря на използвания охладител. Уредът за откриване не утечки следва да отговаря на процент LFL от употребения охладител, като се

- ◆ потвърди подходящия процент газ (най-много 25%). Течностите за откриване на утечки са подходящи за употреба при повечето охладители, но следва да се избягва използването на съдържащи хлор разтворители, тъй като хлорът може да реагира с охладителя и да разяде медните тръби. Ако имате съмнение за утечка, задължително следва всички открити пламъци да бъдат премахнати/изгасени. В случай, че откриете място на утечка на охладител, което да изисква високотемпературно заваряване, първо следва да извадите от системата всички охладител, или поне да го изолирате посредством затварящи се клапи в системата, изолирана от утечката. Освободеният от кислород азот (OFN) следва да се отстрани от системата преди и по време на процеса на високотемпературно заваряване.

ИЗТЕГЛЯНЕ И ИЗХВЪРЛЯНЕ

- ◆ ◆ В случай, че охладителният кръг се повреди, то за да осъществите поправки (или по каквото и да било друг повод) следва да прилагате стандартни методи. Независимо от всичко, важно е да се прилагат най-добрите практики, тъй като винаги съществува възможност от запалване. Следва да се прилага следната поредица от действия:
- ◆ премахнете охладителя; прочистете кръга с инертен газ; отворете кръга, като разрежете или заварите. Зарядът с охладител ще се възстанови в правилните цилиндри за възстановяване. С цел повишаване безопасността на системата, същата следва да се прочиства с OFN. Възможно е този процес да се наложи да бъде повторен неколккратно. Състеният въздух и кислородът не бива да се използват за изпълнение на тази задача. Промиването следва да се извърши, като се наруши вакуума на системата с OFN и пълноенето да продължи, докато се постигне работното налягане. След това следва да се изхвърли в атмосферата и накрая, да се сведе до вакуум. Този процес следва да се повтаря дотогава, докато в системата не остане охладител. Когато се използва окончателното зареждане с OFN, системата следва да се разрези до атмосферно налягане, с цел да може да се извършват дейностите. Тази операция е ключово важна, когато се извършват операции по високотемпературно заваряване по тръбите. Уверете се, че изходът на вакуумната помпа не се намира близо до източник на пожар, а също и че има надлежна вентилация.

ПРОЦЕДУРА НА ЗАРЕЖДАНЕ

- ◆ Освен обичайните процедури на зареждане, следва да се спазват и следните изисквания.
- ◆ При използване на уреда за зареждане се уверете, че не е налице примес от различни охладители.
- ◆ Маркутите или линиите следва да са възможно най-къси, с цел да се намали до максимум съдържащото се в тях количество охладител.
- ◆ Цилиндриите следва да се поддържат в отвесно положение.
- ◆ Уверете се, че охладителната система е свързана към земята, преди да заредите системата с охладител.
- ◆ Ако не сте го сторили, етикетирайте системата след пълно зареждане.
- ◆ Бъдете крайно внимателни да не пренапълните охладителната система.
- ◆ Преди да презаредите системата следва да бъде извършена проверка на налягането с OFN.
- ◆ Системата се проверява за утечки след завършване на зареждането. Това обаче следва да стане след пускането в ход. Следва да извършите проследяваща проверка за утечки, преди да напуснете мястото.

РАЗГЛОБЯВАНЕ

- ◆ ◆ Преди да извършите това действие, крайно важно е техническото лице да е добре запознато с уреда и всички негови части. Като добра практика се препоръчва всички охладители да бъдат възстановявани по безопасен начин. Преди да пристъпите към тази дейност се взема мостра от масло и охладител в случай че се изисква анализ преди повторната употреба на възстановения охладител. Крайно важно е да имате налице електроенергията преди започването на тази дейност.
- ◆ а) Запознайте се добре с устройството и неговата работа.
- ◆ б) Изолирайте системата от електричество.
- ◆ в) Преди да пристъпите към процедурата, моля уверете се в следното: че е налице устройството за механична работа, а ако е необходимо, за работа по цилиндриите с охладител; че цялата екипировка за лична защита е налице и се използва по правилен начин; че процесът на възстановяване се намира под непрекъснато наблюдение от компетентно лице; че уредите и цилиндриите за възстановяване отговарят на съответните стандарти.

- ♦ d) Изполпайте от системата охладителя, ако това се налага.
- ♦ e) Ако не е възможно изпразването, то направете колектор така, че охладителят да може да бъде изтеглен от различни части на системата.
- ♦ f) Уверете се, че цилиндърът е разположен на балансъора, преди да пристъпите към възстановяването.
- ♦ g) Включете машината за възстановяване и действайте съгласно указанията на производителя.
- ♦ h) Не пълнете прекалено цилиндрите. (Не надхвърляйте 80% от обема на течния заряд)
- ♦ i) Не надхвърляйте, дори временно, максималното работно налягане на цилиндъра.
- ♦ j) След правилно напълване на цилиндрите и приключване на процеса, уверете се, че
- ♦ цилиндрите и уреда са незабавно отстранени от мястото, и че всички изолационни клапи на уреда са затворени.
- ♦ k) Възстановеният охладител може да се зарежда в друга охладителна система ЕДИНСТВЕНО след като е бил прочистен и проверен.

ЕТИКЕТИРАНЕ

- ♦ Уредът следва да е етикетирани, като се укаже, че е бил деактивиран и изпразнен от охладител. Етикетът следва да съдържа дата и да бъде подписан.
- ♦ Уверете се, че по екипа има етикети, указващи, че същият съдържа запалим охладител.

ВЪЗСТАНОВЯВАНЕ

- ♦ При отстраняване на охладителя от системата, било за поддръжка, било за затварянето, препоръчва се като добра практика всички охладители да бъдат елиминирани по сигурен начин. При прехвърляне на охладител към цилиндрите, уверете се, че се използват само подходящи цилиндри за възстановяване на охладител. Уверете се, че е налице правилното количество цилиндри, за да удържите пълното зареждане на системата. Всички използвани цилиндри са програмирани за възстановения охладител и са етикетирани за този охладител (т.е. специални цилиндри за възстановяване на охладител). Цилиндри следва да са окомплектовани с клапа за изпускане на налягане и присъединени затварящи клапи. Същите следва да се намират в добро работно състояние. Празните цилиндри за възстановяване се отстраняват и, ако е възможно, се изстудяват, преди да се осъществи към възстановяването.
- ♦ Уредът за възстановяване следва да се намира в добро работно състояние, да има указания, отнасящи се до него, те да се намират под ръка, а също така, той следва да е подходящ за възстановяване на запалими охладители. Освен това, следва да е налице набор от калибрирани балансъори, намиращи се в добро работно състояние. Маркучите следва да се намират в добро състояние и да са окомплектовани с щуцери за изключване, по които да няма утечки. Преди да използвате уреда за възстановяване, моля уверете се, че той се намира в добро работно състояние, че е бил поддържан правилно, и че всички електрически компоненти са запечатани, така че да се избегне възникване на пламък, в случай че се освободи охладител. В случай на възникнали въпроси, моля обърнете се към производителя.
- ♦ Възстановеният охладител следва да бъде върнат на доставчика на охладителя в съответния цилиндър за възстановяване. На него следва да се постави съответния предавателен протокол за отпадъци.
- ♦ Моля не смесвайте охладители в единици за възстановяване, особено в цилиндри.
- ♦ Ако се наложи компресорите или маслата на компресора да бъдат отстранени, моля уверете се, че са отстранени до приемливо ниво, за да сте сигурни, че запалимият охладител не се намира в смазката. Процедурата за отстраняване следва да се извърши преди връщането на компресора на доставчиците. Ако желаете да ускорите процеса, просто приложете електрическо затопляне към корпуса на компресора. Когато от една система бъде отстранено маслото, това следва да стане по безопасен начин.

Компетентност на обслужващия персонал

Общи положения

- ♦ При изпълнение на процедури, различни от обичайните за охладителни уреди се изискват особени допълнителни квалификации, особено когато става дума за уред със запалими охладители.
- ♦ В много страни това квалифициране се извършва от държавни квалификационни учреждения, акредитирани за налагане на съответните норми за компетентност в съответната държава, като същите могат да бъдат отразени и в законодателството.
- ♦ Постигнатата компетентност следва да бъде отразена в документ сертификат.

Обучение

- ♦ Квалификацията следва да съдържа следното:
- ♦ Информация за взривния потенциал на запалими охладители, за да се покаже, че запалимите продукти може да се окажат опасни, ако с тях се борави без необходимото внимание.
- ♦ Информация за възможни източници на запалване, особено онези, които не са очевидни, като например запалки, ключове на осветление, прахосмукачки и електрически отоплители.
- ♦ Информация за различните определения за безопасност.
- ♦ Без вентилация (Виж клауза GG.2). Безопасността на уреда не зависи от вентилацията на кожата.
- ♦ Изключването на уреда или отварянето на кожата не се отразява особено на безопасността. Независимо от това е възможно да се натрупа охладител с утечки в отделението, като при отваряне на отделението се освободи запалима газова смес.
- ♦ Вентилирано пространство (виж Клауза GG.4). Безопасността на изделието зависи от
- ♦ вентилирането на кожата. Изключването на уреда или отварянето на шкафа се отразява значително на безопасността. Предварително следва да да се внимава, за да се осигури достатъчна вентилация.
- ♦ Вентилирано помещение (виж Клауза GG.5). Безопасността на уреда зависи от вентилацията на помещението. Изключването на уреда или отварянето на кожата не се отразява никак на безопасността. Вентилацията на помещението следва да не се изключва по време на дейностите на поправка.
- ♦ Информация за херметични компоненти и кожуси съгласно IEC 60079-15: 2010.
- ♦ Информация за правилните работни дейности.

Задействане

- ♦ Уверете се, че на пода има достатъчно пространство за зареждане с охладител, или че вентилационната тръба е сглобена правилно.
- ♦ Преди да заредите с охладител, моля съединете тръбите и извършете проверка за утечки.
- ♦ Проверете уреда на безопасност, преди да го включите.

Поддръжка

- ♦ Преносимият уред следва да се поправя на открито или в специално екипиран цех за поправка на уреди, съдържащи запалими охладители.
- ♦ Моля осигурете достатъчно проветряване на мястото, където се извършва поправката.
- ♦ Имайте предвид, че неизправната работа на уреда може да се дължи на загуба на охладител, и че е възможно да има утечка на охладител.
- ♦ Разредете кондензаторите, за да не предизвикат искри. Стандартната процедура за поставяне накъсо на терминалите на кондензатора обикновено предизвиква искри.
- ♦ Сглобете отново херметизираните шкафове, като извършите това точно и внимателно. Ако уплътненията са амортизирани, моля подменете ги.
- ♦ Проверете уреда на безопасност, преди да го включите.

Поправки

- ♦ Преносимият уред следва да се поправя на открито или в специално екипиран цех за поправка на уреди, съдържащи запалими охладители.
- ♦ Моля, осигурете достатъчно проветряване на мястото, където се извършва поправката.
- ♦ Имайте предвид, че неизправната работа на уреда може да се дължи на загуба на охладител, и че е възможно да има утечка на охладител.
- ♦ Разредете кондензаторите, за да не предизвикат искри.
- ♦ Когато се налага високотемпературна заварка, следва да бъдат извършени следните дейности, и то в правилния порядък:
- ♦ Отстранете охладителя. В случай, че държавния норматив не изисква възстановяване, изпразнете охладителя навън. Бъдете внимателни изпразнения охладител да не предизвика някаква опасност. При възникнало съмнение за това, едно лице следва да следи на изхода. Особено внимание отделете изпразнения охладител да не започне да плува отново в сградата.
- ♦ Изпразнете кръга от охладител.
- ♦ Прочистете кръга от охладител с азот в продължение на 5 минути.
- ♦ Отстранете отново.
- ♦ Отстранете частите, които следва да се подменят чрез изрязване, а не посредством пламък.
- ♦ Прочистете мястото на заваряване с азот по време на високотемпературното заваряване.

- ◆ Проведете проверка за утечки, преди да заредите с охладител.
- ◆ Сглобете отново херметизираните шкафове, като извършите това точно и внимателно. Ако уплътненията са амортизирани, моля подменете ги.
- ◆ Проверете уреда на безопасност, преди да го включите.

екологичен дизайн, приложими към изделия, свързани с енергия

Разглобяване

- ◆ Ако, докато уредът се намира извънработен режим безопасността е засегната, зареденият охладител следва да бъде отстранен преди затварянето му.
- ◆ Уверете се, че е налице достатъчно проветряване на мястото, където се намира уредът.
- ◆ Имайте предвид, че неизправната работа на уреда може да се дължи на загуба на охладител, и че е възможно да има утечка на охладител.
- ◆ Разрежете кондензаторите, за да не предизвикат искри.
- ◆ Отстранете охладителя. В случай, че държавния норматив не изисква възстановяване, изпразнете охладителя навън. Бъдете внимателни изпражнения охладител да не предизвика някаква опасност. При възникнало съмнение за това, едно лице следва да следи на изхода. Особено внимание отделете изпражнения охладител да не започне да плува отново в сградата.
- ◆ Изпразнете кръга от охладител.
- ◆ Прочистете кръга от охладител с азот в продължение на 5 минути.
- ◆ Отстранете отново.
- ◆ Напълнете с азот до достигане на атмосферното налягане.
- ◆ Поставете етикет върху уреда, който да указва, че охладителят е бил отстранен.

Елиминиране на охладителя

- ◆ Уверете се, че на работното място е налице достатъчно проветряване.
- ◆ Отстранете охладителя. В случай, че държавния норматив не изисква възстановяване, изпразнете охладителя навън. Бъдете внимателни изпражнения охладител да не предизвика някаква опасност. При възникнало съмнение за това, едно лице следва да следи на изхода. Особено внимание отделете изпражнения охладител да не започне да плува отново в сградата.
- ◆ Изпразнете кръга от охладител.
- ◆ Прочистете кръга от охладител с азот в продължение на 5 минути.
- ◆ Отстранете отново.
- ◆ Изключете компресора и изпразнете маслото.

Транспорт, маркировка и складиране за уреди, използващи запалими охладители

- ◆ Обръщаме вниманието ви на това, че е възможно да съществуват допълнителни норми за транспорт по отношение на уреди, съдържащи запалими газове. Максималният брой уреди или уреди с определена конфигурация, разрешени за съвместен превоз се определя от приложимите транспортни норми.

Означаване на уредите с табелки и знаци с

- ◆ Обикновено предупредителните означения за електрически домакински уреди, използвани в работното пространство се разглеждат в местните регламенти. Те отразяват минималните изисквания за снабдяване с означения за безопасност и/или за здравна защита в едно работно пространство.
- ◆ Следва да се поставят всички необходими табелки, а отговорните за това лица следва да се уверят, че служебните лица са получили надлежната квалификация и инструктаж за значението на подходящите означения за безопасност, а също и за действията, които следва да се предприемат във връзка с тях.
- ◆ Ако на едно място бъдат поставени прекалено голямо количество означения, тяхната успешност може да се окаже ограничена.
- ◆ Всяка използвана рисунка или схема следва да бъде възможно най-опростена, и да съдържа само най-значимите подробности.

Унищожаване на уреди, съдържащи запалими охладители

- ◆ Моля, направете справка с действащите местни норми.
- ◆ Съхраняване на уреди/домакински електроуреди Съхраняването на уреда следва да се осъществява в съответствие с указанията на производителя.
- ◆ Съхранението на опаковани (непродадени) уреди Защитата на пакета за съхранение следва да е проектирана по такъв начин, че механичната щета, нанесена на уреда в пакета да не предизвика утечка на охладител.
- ◆ Максималното количество разрешени за съвместно съхранение уреди се определя от местния норматив в това отношение.

Настоящият уред изпълнява Директива 2014/35/EU за ниски напрежения, Директива 2014/30/EU за електромагнитно съответствие и с Директива 2011/65/EU за ограниченията при употреба на някои определени опасни вещества в електрически и електронни апарати и с Директива 2009/125/EC за изискванията за

België/Belgique	Stanley Black & Decker Belgium BVBA Egide Walschaertsstraat 16 2800 Mechelen	www.blackanddecker.be enduser.BE@SBDinc.com Tel - NL. +32 15 47 37 65 Tel – FR. +32 15 47 37 66
Bulgaria	Stanley Black&Decker Polska Bucharest Branch Phoenicia Business Center Turturelelor Street, No 11A, 6th Floor,Module 15, 3rd District. Bucharest (Romania)	office.bucharest@sbdinc.com Tel. +4021.320.61.04.
Česká Republika	Stanley Black & Decker Czech Republic s.r.o. Chodov Türkova 2319/5b 149 00 Praha 4 Česká Republika	www.blackanddecker.cz recepce@blackanddecker.cz Tel: 261 009 782
Danmark	Stanley Black & Decker Denmark Roskildevej 22 2620 Albertslund	www.blackanddecker.dk kundeservice.dk@sbdinc.com Tel. 70 20 15 10 Fax. 70 22 49 10
Deutschland	Stanley Black & Decker Deutschland GmbH Black & Decker Str. 40, D - 65510 Idstein	www.blackanddecker.de infobfge@sbdinc.com Tel. 06126 21-0 Fax 06126 21-2980
Ελλάδα	Black & Decker ΕΛΛΑΣ ΕΔΡΑ-ΓΡΑΦΕΙΑ : Σπράβωνος 7 & Λ. Βουλιαγμένης. 166 74 Γλυφάδα - Αθήνα SERVICE : Ημερος Τόπος 2 (Χάνι Αδάμ) - 193 00 Ασπρόπυργος	www.blackanddecker.gr Greece.Service@sbdinc.com Τηλ: 00302108981616 Φαξ: 00302108983570
España	Engineering and Technology for Life Spain Avenida Barcelona s/n 25790 Oliana (Lleida)	www.blackanddecker.es service.spain@etforlife.com
France	Engineering and Technology for Life France 6 rue de l'Industrie Z.I des Sablons 89100 Sens	www.blackanddecker.fr service.france@etforlife.com
Helvetia	ROFO AG Gewerbezone Seeblick 3213 Kleinbösingen	www.blackanddecker.ch service@rofoag.ch Tel. 026 674 93 93 Fax 026 674 93 94
Hungary	Stanley Black & Decker Hungary Kft. Meszaros u. 58/B 1016 Budapest (Hungary)	www.blackanddecker.hu Tel: 1.6 225-1661 / 62
Italia	Stanley Black & Decker Italia Via Energypark 6 c/o Energypark Building 3 sud 20871 Vimercate (MB)	www.blackanddecker.it service.italia@blackdecker.com Tel. 800-213935 Fax 039-9590313
Nederland	Stanley Black & Decker Netherlands BV Holtum Noordweg 35 6121 RE BORN Postbus 83. 6120 AB BORN	www.blackanddecker.nl enduser.NL@SBDinc.com Tel. +31 164 283 065 Fax +31 164 283 200
Norge	Stanley Black & Decker Norway AS Gullhaugveien 11, 0484 Oslo PB 4613, Nydalen, 0405 Oslo	www.blackanddecker.no kundeservice.no@sbdinc.com Tlf. 22 90 99 10 Fax 45 25 08 00

Österreich	Stanley Black & Decker Austria GmbH Oberlaaerstraße 248, A-1230 Wien	www.blackanddecker.at service.austria@sbdinc.com Tel. 01 66116-0 Fax 01 66116-614
Polska	Stanley Black & Decker Polska SP.z.o.o ul. Postepu 21D 02-676 Warszawa Polska	www.blackanddecker.pl reception.warsaw@sbdinc.com Tel: 22 4642700
Portugal	Engineering and Technology for Life Portugal Avenida Rainha D. Amélia, n°12-B 1600-677 Lisboa	www.blackanddecker.pt service.portugal@etforlife.com
Romania	Stanley Black&Decker Polska Bucharest Branch Phoenicia Business Center Turturelelor Street, No 11A, 6th Floor,Module 15, 3rd District. Bucharest (Romania)	office.bucharest@sbdinc.com Tel. +4021.320.61.04.
Slovenija	G-M&M, proizvodnja in marketing, d.o.o. Brvace 11 1290 Grosuplje (Slovenija)	G-M&M, proizvodnja in marketing, d.o.o. Brvace 11 1290 Grosuplje (Slovenija)
Suomi	Stanley Black & Decker Finland Oy Kumpulantie 13B, 00520 Helsinki PL 47, 00521 Helsinki	www.blackanddecker.fi asiakaspalvelu.fi@sbdinc.com Puh. 010 400 43 33 Faksi 0800 411 340
Sverige	Stanley Black & Decker Sweden AB Flöjelbergsgatan 1c, 431 35 Mölndal Box 94, 431 22 Mölndal	www.blackanddecker.se kundservice.se@sbdinc.com Tel. 031-68 60 60 Fax 031-68 60 80
United Kingdom & Republic Of Ireland	"Black & Decker Slough, Berkshire SL1 3YD 210 Bath Road "	www.blackanddecker.co.uk emeaservice@sbdinc.com Tel. 01753 511234

ENGINEERING AND TECHNOLOGY FOR LIFE, S.L.
Avda. Barcelona s/n
Oliana, 25790, Spain