



MUSTER 1000 SPLIT CO₂ PART OF THE EXPLODED VIEWS



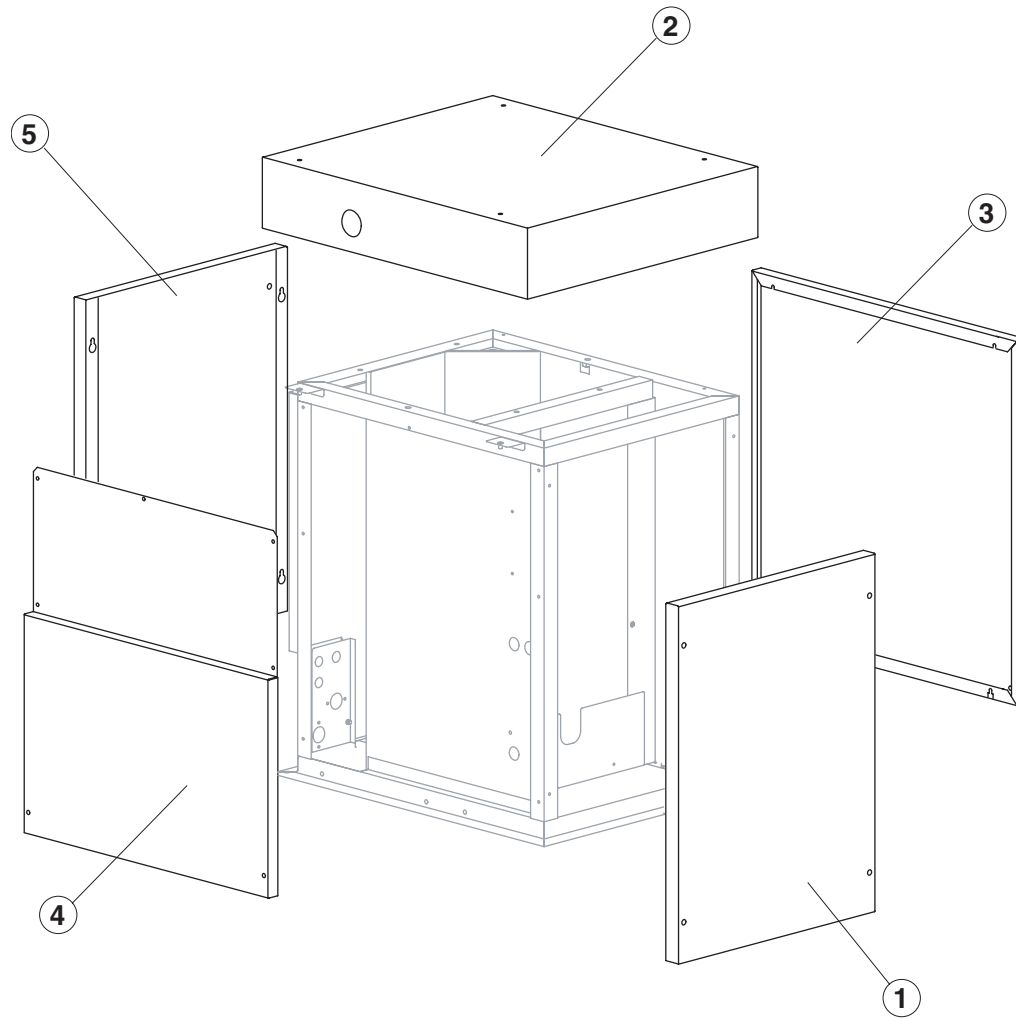
SHELL ASSY

EVAPORATOR

PUMP

ELECTRIC PARTS

Rev. 02 - 12/03/2019

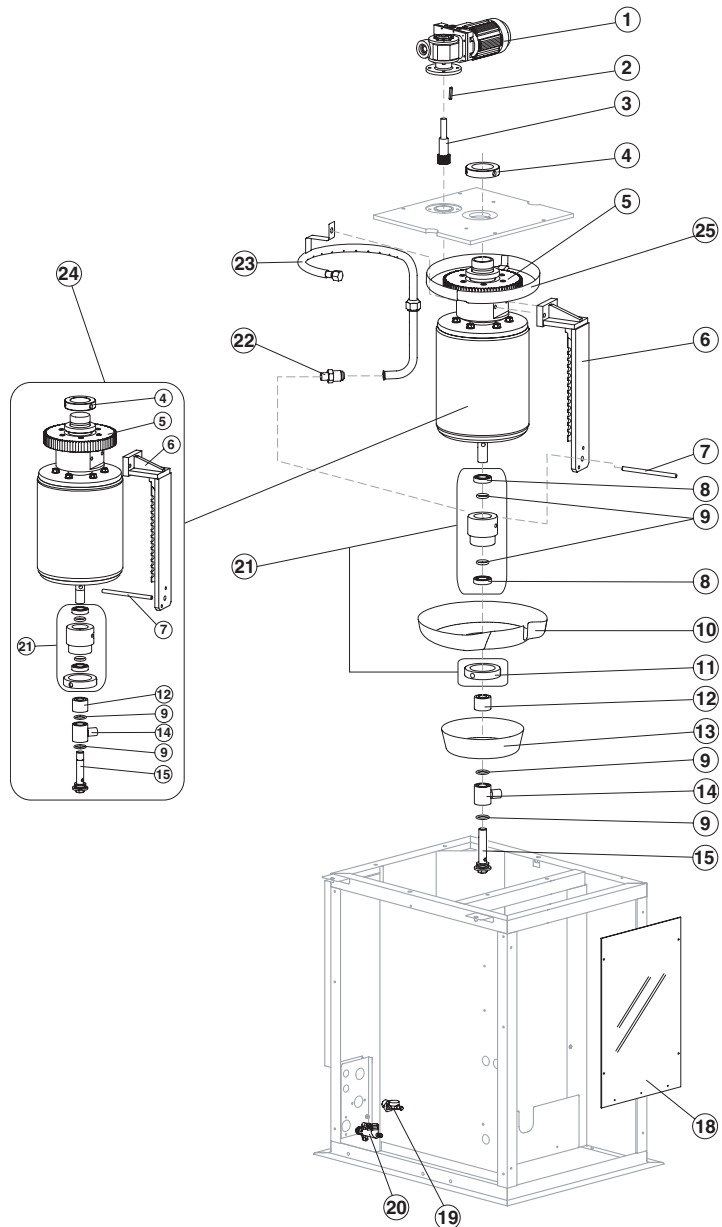


<i>Ref.</i>	<i>Spare Description</i>	<i>Code</i>
1	Front Panel	22474
2	Top Assembly	C22966
3	Right Side Panel	22445
4	Left Side Panel	22963
5	Rear Panel	22965



MUSTER 1000 SPLIT CO₂

EVAPORATOR

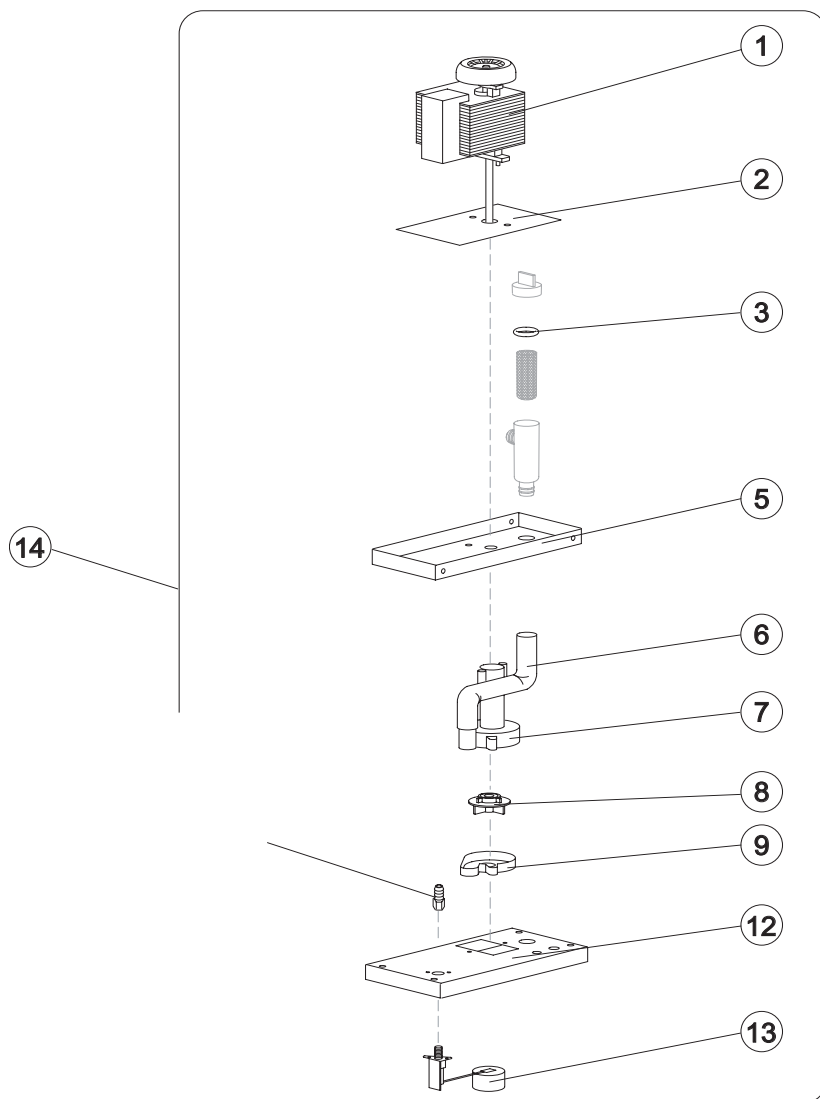


Ref.	Spare Description	Code
1	Gearmotor Assy	C23412
2	Key 6x6x40	20350
3	Pinion with Shaft for Gearmotor	C20344
4	Cylinder Locking Ring Nut	20365
5	Ring Gear	20363
6	Scraper	20358
7	M10 Tie Rod (to Block Scraper)	20369
8	Stainless Steel Bearing	20045
9	Silicone OR 4081 in Ring	20338
10	Rotating Basin	10191
11	Ring Nut for Rotating Ring	10194
12	Spacer	10528
13	Fixed Basin	C10599
14	Water Inlet Ring	20851
15	Screw	20872
18	Evaporator Chamber Shield	10531
19	1 Way- Water Inlet Nipple	10368
20	Discharge Manifold	10580
21	Complete Rotating Ring	C10193
22	Joint	20367
23	Sprayer Ring	C20357
24	Evaporator	C11177
25	Ring Gear Cover	C10631

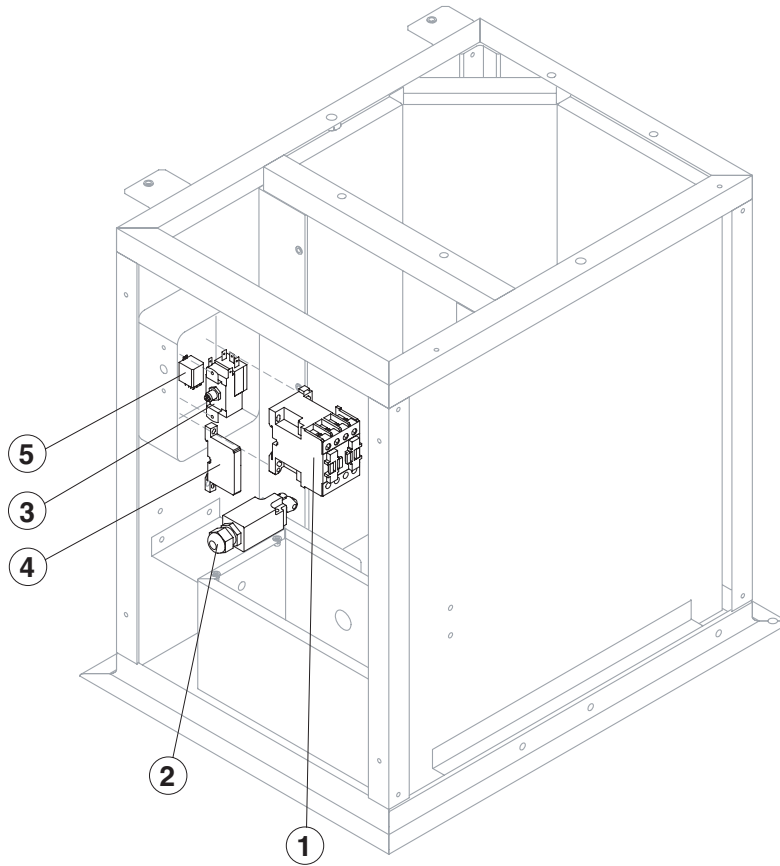
Rev. 02 - 12/03/2019



Rev. 02 - 12/03/2019



Ref.	Spare Description	Code
1	Pump	R23073
2	Heat Dissipator	22430
3	Pump Filter Gasket	13080
5	Pump Motor Support	10161
6	Pump-Filter Connection Pipe	13084
7	Pump Body	10065
8	Pump Impeller	10138
9	Diffusor	10067
12	Water Pump Basin Cover	22420
13*	Floating Valve	10188
14*	Pump and Filter Assy	C26738
17	Connection	20799



Ref.	Spare Description	Code
1*	Contactor	23594
2	Microswitch for Ice Overflow	23746
3*	Bin Thermostat	R23005
4	Electronic delay timer	231033
5	Relay	23190