

Drawing

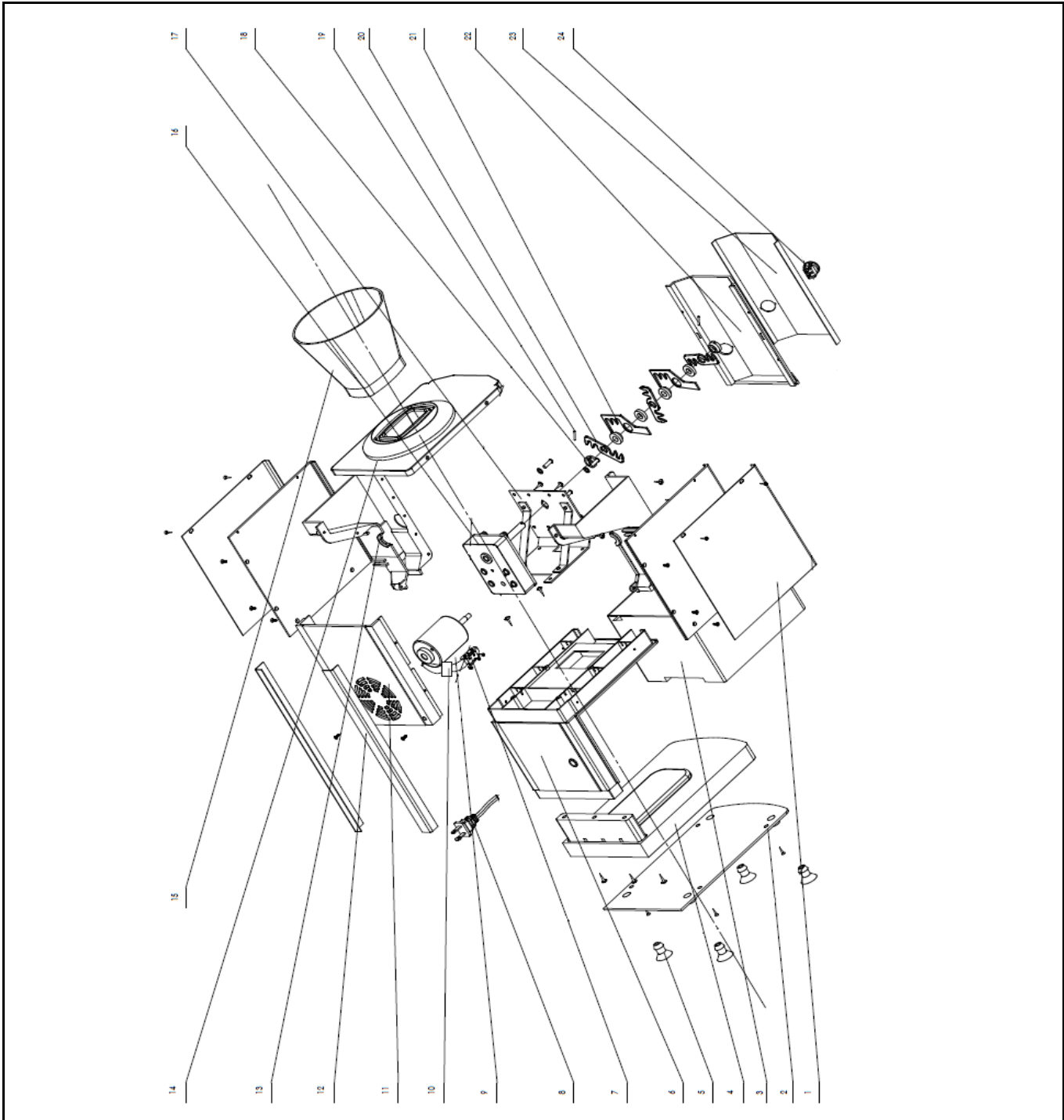


Hendi B.V.  
Steenoven 21  
3911 TX Rhenen  
The Netherlands


Batch #	Appliance part#
502184 and up	271520

Description
Ice crusher

Date	13-06-2016	Revision #	Revision version
Revision	First bill of materials (BOM)		



### Bill of materials (BOM)

 <b>Hendi B.V.</b> Steenoven 21 3911 TX Rhenen The Netherlands	<b>Batch #</b>	<b>Appliance part#</b>
	502184 and up	<b>271520</b>
	<b>Description</b>	
Ice crusher		


<b>Date</b>	13-06-2016	<b>Revision #</b>	Revision version
<b>Revision</b>	First bill of materials (BOM)		

Item	Description	Part#	Quantity	Remark	Picture
1	Side cover	n/a	2		
2	Bottom cover	n/a	1		
3	Container	940396	1		
4	Base	n/a	1		
5	Feet	n/a	4		
6	Support	n/a	1		
7	Switch	n/a	1		
8	Power cord	n/a	1		
9	Motor	n/a	1		
10	Noise filter	n/a	1		
11	Back cover	n/a	1		
12	Bracket	n/a	2		
13	Ice chute	n/a	1		
14	Top cover	n/a	1		
15	Funnel	940860	1		
16	Transmission	n/a	1		
17	Bracket gearbox	n/a	1		
18	Gasket	n/a	5		
19	Pin	n/a	1		
20	Blade	n/a	2		
21	Blade	n/a	2		
22	Front cover	n/a	1		
23	Display panel	n/a	1		
24	Switch	n/a	1		

n/a -> not available

nss -> not sold separately

### Circuit diagram

 <b style="font-size: 24pt; font-weight: bold; color: red;">HENDI</b> <small>FOOD SERVICE EQUIPMENT</small>  <b>Hendi B.V.</b> Steenoven 21 3911 TX Rhenen The Netherlands	<b>Batch #</b>	<b>Appliance part#</b>
	502184 and up	271520
	<b>Description</b>	
	Ice crusher	

<b>Date</b>	13-06-2016	<b>Revision #</b>	Revision version
<b>Revision</b>	First bill of materials (BOM)		

