

Drawing



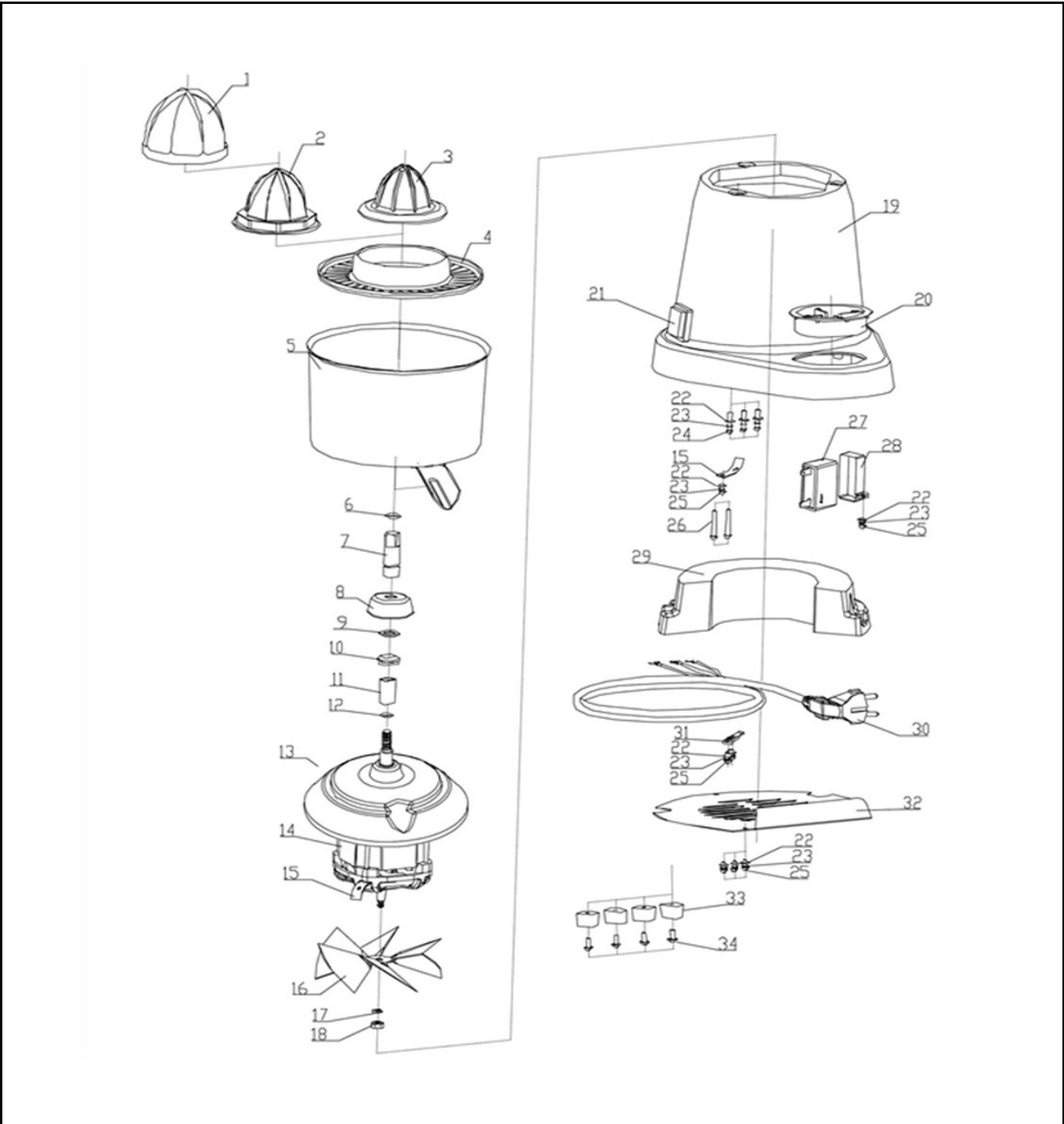
Tools for Chefs

Hendi B.V.
 Steenoven 21
 3911 TX Rhenen
 The Netherlands


Batch #	Appliance part#
000000 and up	221204

Description
Citrus juicer electric

Date	31-08-2022	Revision #	1.0
Revision	First Bill of Materials (BOM)		



Bill of materials (BOM)

 <b style="font-size: 24px; margin-left: 10px;">HENDI Tools for Chefs Hendi B.V. Steenoven 21 3911 TX Rhenen The Netherlands	Batch #	Appliance part#
	000000 and up	221204
	Description	
Citrus juicer electric		


Date	31-08-2022	Revision #	1.0
Revision	First Bill of Materials (BOM)		

Item	Description	Part#	Quantity	Remark	Picture
1	Cone set	221266	1	Incl item 1,2 and 3.	
4	Pip-filter	900901	1		
5	Juice bowl	900963	1		
6	O-ring 11,8x1,8	900970	1	Also in set 900895	
7	Cone axle	900895	1	Incl item 6	
8	Shield	900925	1		
9	Washer 12x1,5	nss	1	Available as 900871	
10	Bushing seal	nss	1	Available as 900871	
11	Bushing	900871	1	Incl item 9,10,12	
12	O-ring 9,5x1,8	nss	1	Available as 900871	
14	Motor	900956	1	Incl item 13 & 14	
16	Fan	n/a	1		
17	Spring washer M6	n/a	1		
18	Nut M6 LH	n/a	1		
19	Housing	n/a	1		
20	Drip tray	221242	1		
21	Switch	205426	1		
22	Wasker M4	n/a	8		
23	Spring washer M4	n/a	8		
24	Bolt M4x12	n/a	3		
25	Bolt M4x8	n/a	4		
26	Bolt M4x28	n/a	2		
27	Capacitor 450V / 4µF	900857	1		
28	Capacitor bracket	n/a	1		
29	Counterweight	n/a	1		
30	Powercord with plug	900864	1		
31	Cord retention bracket	n/a	1		
32	Bottom plate	n/a	1		
33	Foot	900888	4	Incl item 34	
34	Bolt M4x20 with washer	nss	4	Available as 900888	
*	Splash proof cover	221273	1	Not shown on exploded view	

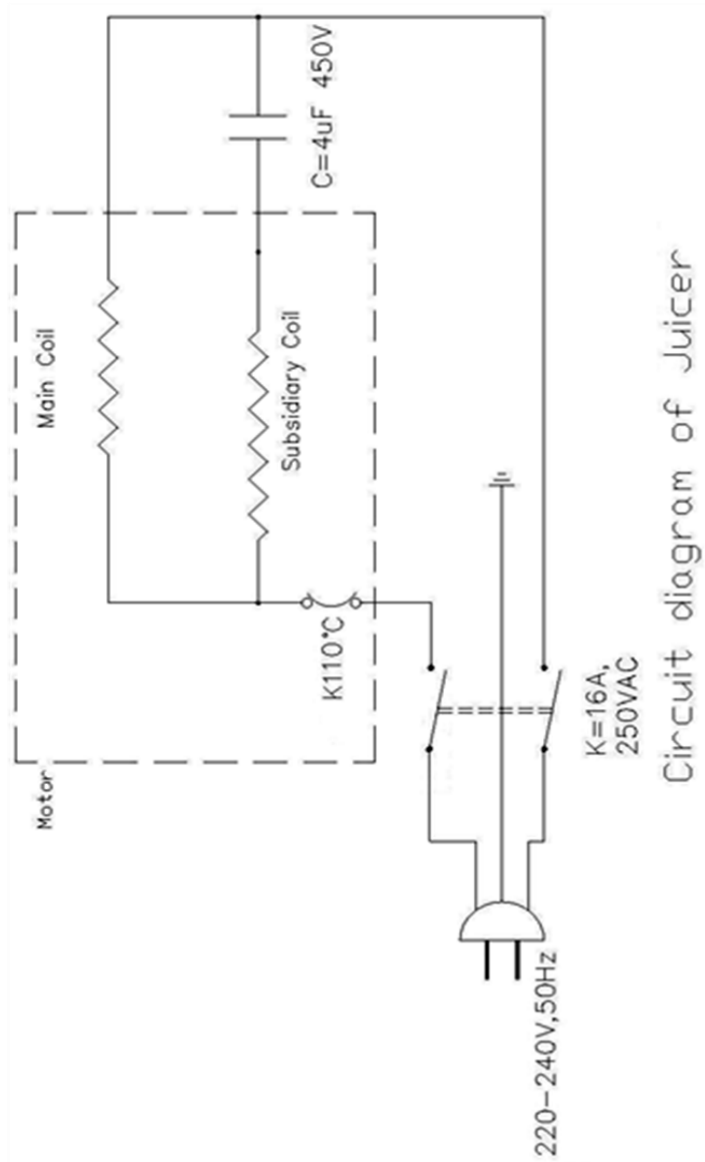
n/a -> not available

nss -> not sold separately

Circuit diagram

 HENDI Tools for Chefs Hendi B.V. Steenoven 21 3911 TX Rhenen The Netherlands	Batch #	Appliance part#
	000000 and up	221204
	Description	
	Citrus juicer electric	

Date	31-08-2022	Revision #	1.0
Revision	First Bill of Materials (BOM)		



Circuit diagram of Juicer