

Drawing



Tools for Chefs

Hendi B.V.  
Steenoven 21  
3911 TX Rhenen  
The Netherlands

Batch #

000000 and up

Appliance part#

220283

Description

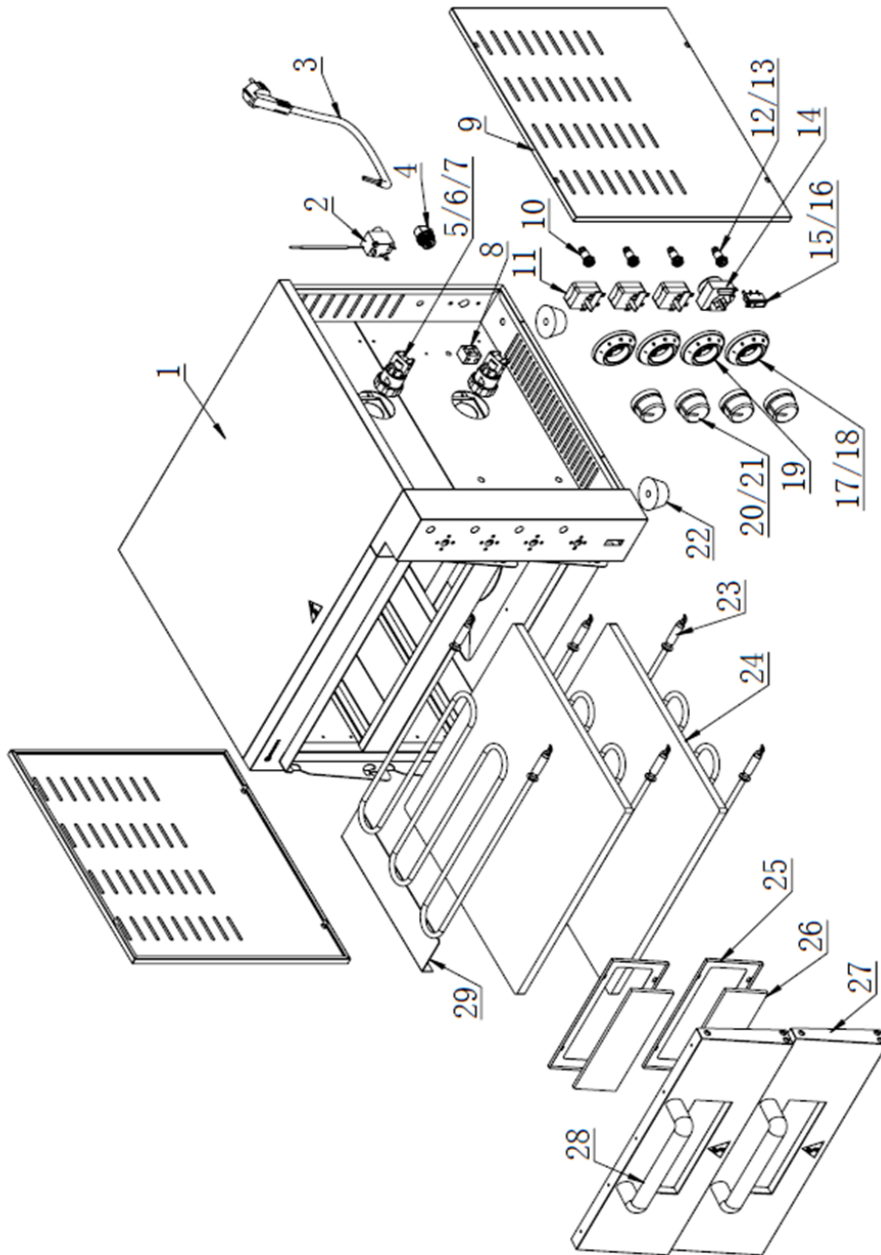
Pizza oven 2 tiers

Date 08-09-2022


Revision #

1.0

Revision First Bill of Materials (BOM)



## Bill of materials (BOM)

 <b style="font-size: 24px; margin-left: 10px;">HENDI</b> <small style="color: green; margin-left: 10px;">Tools for Chefs</small> <b>Hendi B.V.</b> Steenoven 21 3911 TX Rhenen The Netherlands	<b>Batch #</b>	<b>Appliance part#</b>
	000000 and up	<b>220283</b>
	<b>Description</b>	
<b>Pizza oven 2 tiers</b>		


<b>Date</b>	08-09-2022	<b>Revision #</b>	1.0
<b>Revision</b>	First Bill of Materials (BOM)		

Item	Description	Part#	Quantity	Remark	Picture
1	Frame	n/a	1		
2	Hi-limiter	956069	1		
3	Power cord	912027	1		
4	Cord inlet with retention	912201	1		
5	Chamber light gasket	nss	2		
6	Chamber light fitting	nss	2		
7	Chamberlight assembly	956076	2	Incl. item 5 and 6	
*	Ovenlamp (heat resistant, E14 230V, 15W)	904947	1	Universal incandescence bulb	
8	Terminal	929940	1		
9	Housing panel	n/a	2		
10	Indicator light (orange)	930533	3	Incl. item 13	
11	Thermostat	956083	3		
12	Indicator light (green)	942925	1	Incl. item 13	
13	O-ring indicator lights	nss	1	Available as 930533 and 942925	
14	Timer	942932	1		
15	Chamber light switch	956090	1	Incl. item 16	
16	Chamber light switch cover	nss	1	Available as **15**	
17	Graduation ring (timer)	nss	1	Available as 952221	
18	Ground plate	nss	4	Available as 952221 and 955901	
19	Graduation ring (thermostat)	nss	3	Available as 955901	
20	Knob timer	952221	1	Incl. item 17 and 18	
21	Knob thermostat	955901	3	Incl. item 18 and 19	
22	Feet	956977	4	Set of 4	
23	Heating element	956991	3		
24	Refractory stone	956984	2		
25	Door glass cover	n/a	2		
26	Door glass	n/a	2		
27	Door	n/a	2		
28	Door handle	958377	2		
29	Bracket	n/a	1		

n/a -> not available

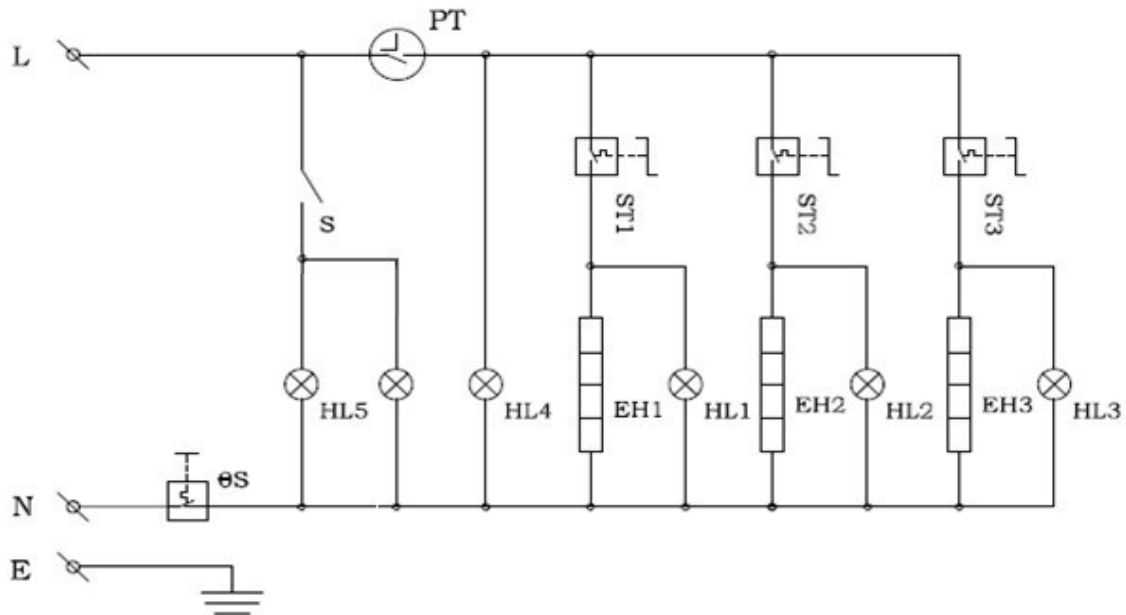
nss -> not sold separately

### Circuit diagram

 <b style="font-size: 24px; margin-left: 10px;">HENDI</b> <span style="color: #808000; font-size: 12px; margin-left: 20px;">Tools for Chefs</span> <b>Hendi B.V.</b> Steenoven 21 3911 TX Rhenen The Netherlands	<b>Batch #</b>	<b>Appliance part#</b>
	000000 and up	<b>220283</b>
	<b>Description</b>	
	<b>Pizza oven 2 tiers</b>	

<b>Date</b>	08-09-2022	<b>Revision #</b>	1.0
<b>Revision</b>	First Bill of Materials (BOM)		

230VAC/50~60Hz/3kW/13A



- PT-----Timer
- ST1,ST2,ST3-----Thermostat
- EH1,EH2, EH3---Heating element
- HL1,HL2,HL3----Working indicator
- HL4-----Power indicator
- HL5-----Chamber light
- S-----Switch
- θs-----Temperature Limiter