
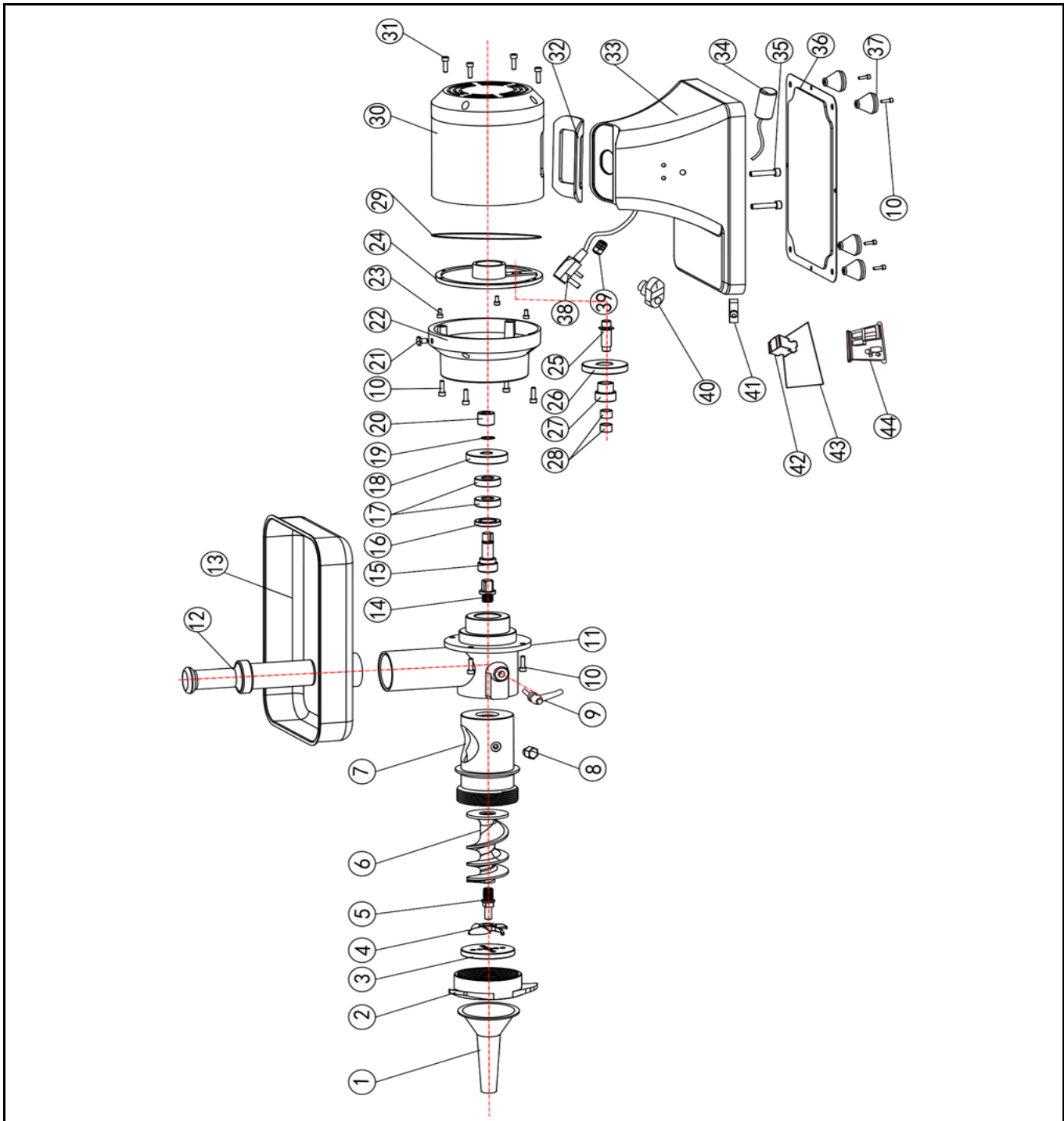



Drawing

 HENDI FOOD SERVICE EQUIPMENT Hendi B.V. Steenoven 21 3911 TX Rhenen The Netherlands	Batch #	Appliance part#
	201847 and up	210802
	Description	
	Meat mincer Profi Line 12	

Date	07-06-2016	Revision #	Revision version
Revision	First bill of material (BOM)		



Bill of materials (BOM)

 Hendi B.V. Steenoven 21 3911 TX Rhenen The Netherlands	Batch #	Appliance part#
	201847 and up	210802
	Description	
Meat mincer Profi Line 12		


Date	07-06-2016	Revision #	Revision version
Revision	First bill of material (BOM)		

Item	Description	Part#	Quantity	Remark	Picture
1	Sausage stuffing tube 20mm	935507	1		
2	Front ring nut aluminum	934050	1		
3a	Perforated plate Ø6mm	931226	1	* Standard	
3b	Perforated plate Ø8mm	931233	1	* Standard	
3c	Perforated plate Ø4,5mm	931219	1	* Optional	
4	Knife	931240	1		
5	Drive shaft / knife holder	934067	1		
6	Worm screw stainless steel	931257	1		
7	Replacement cylinder	933459	1	Incl item 8	
8	Lock seat	nss	1	Available as 933459	
9	Handle	933466	1		
10	Socket screw M6x20	n/a	12		
11	Hopper	933473	1		
12	Stick	940716	1		
13	Feeder tray	940723	1		
14	Coupling	933480	1		
15	Drive shaft	934074	1		
16	Oil seal 25x40x7	939970	1		
17	Bearing (6203RS)	940686	4		
18	Gear B (large)	933497	1		
19	Circlip	940730	1		
20	Gear A (small)	934678	1		
21	Bolt M8x12	n/a	1		
22	Gear housing	n/a	1		
23	Screw M5x15	n/a	4		
24	Front cap motor	n/a	1		
24a	Oil seal 15x35x7	940693	1	(not shown on exploded view)	
25	Axle	n/a	1		
26	Gear A (large)	933503	1		
27	Gear B (small)	933510	1		
28	Sintermetal bushing	n/a	2		
29	Sealing	933527	1		
30	Stator / housing	n/a	1		
31	Socket screw M6x30	n/a	4		
32	Sealing	n/a	1		
33	Housing	n/a	1		
34	Capacitor	931196	1		
35	Socket screw M8x30	n/a	2		
36	Bottom cover	n/a	1		
37	Feet	940785	1		
38	Power cord	931189	1	Incl item 39	
39	Cord inlet with retainer	nss	1	Available as 931189	
40	Switch	918548	1		
41	Overload protector	940747	1		
42	Relay	940846	1		
43	Bracket	n/a	1		
44	PCB	940754	1	Incl item 43	

n/a -> not available

nss -> not sold separately

Circuit diagram

 <p>Hendi B.V. Steenoven 21 3911 TX Rhenen The Netherlands</p>	Batch #	Appliance part#
	201847 and up	210802
	Description	
	Meat mincer Profi Line 12	

Date	07-06-2016	Revision #	Revision version
Revision	First bill of material (BOM)		

