

# Apach

## COOK *line*

Catalogo parti di ricambio valido  
dalla matricola 0000001 (31.10.2006) ad oggi (16.02.2023)

Catalogue pieces detachees  
valable à partir du numero de Série n. 0000001 (31.10.2006) jusqu'à aujourd'hui  
(16.02.2023)

Ersatzteilkatalog  
gültig ab Serien-Nr. 0000001 (31.10.2006) bis heute (16.02.2023)

Spare parts catalogue  
valid from serial no. 0000001 (31.10.2006) up today (16.02.2023)

Catálogo de peças de reposição  
válido do número de série 0000001 (31.10.2006) até hoje (16.02.2023)

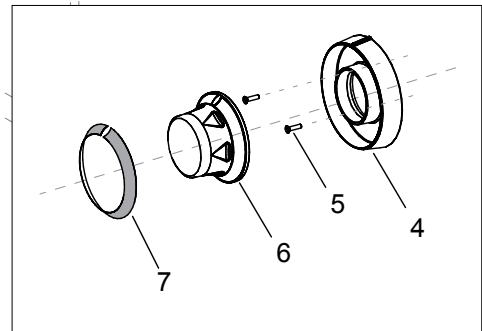
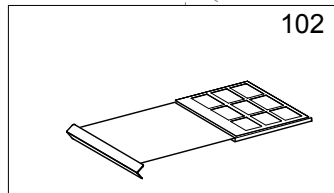
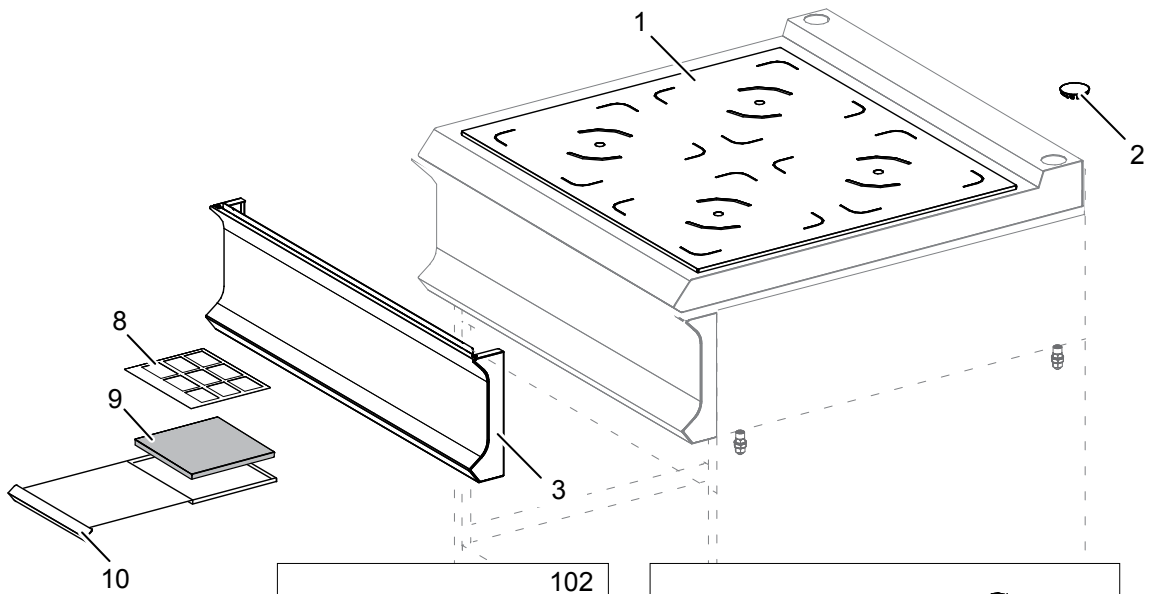
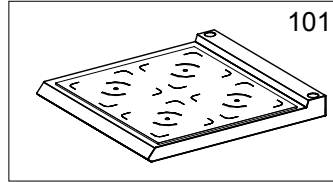
Le informazioni sono considerate non vincolanti. Le immagini rappresentate sono puramente indicative. Il produttore si riserva il diritto di apportare modifiche in qualsiasi momento senza preavviso.

Les informations données ne sont pas contraignantes. Les images montrées sont à titre indicatif. Le producteur se réserve le droit d'apporter des modifications sans préavis.

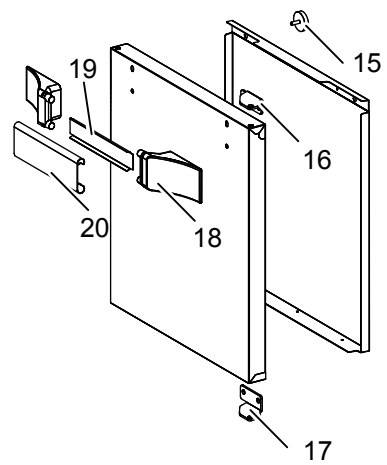
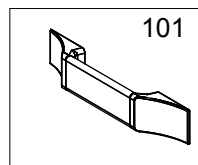
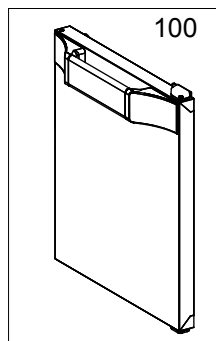
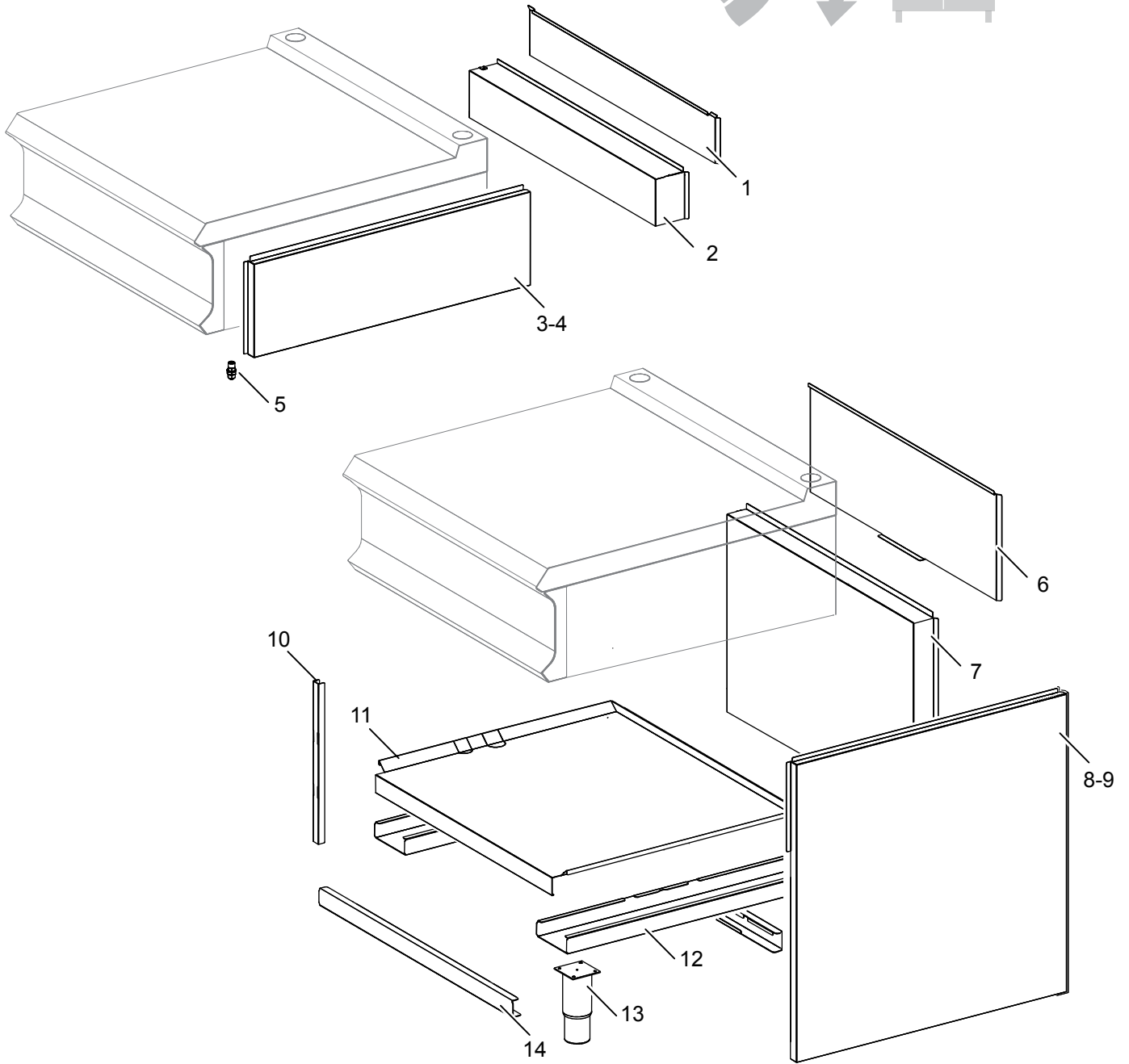
Die im vorliegenden Dokument aufgeführten Informationen und Bilder sind unverbindlich. Der Hersteller behält sich das Recht vor, jederzeit ohne vorherige Ankündigung Änderungen vorzunehmen

Info and drawing could be slightly different from reality and they cannot be considered as compelling. Manufacturer can modify info anytime without forewarning.

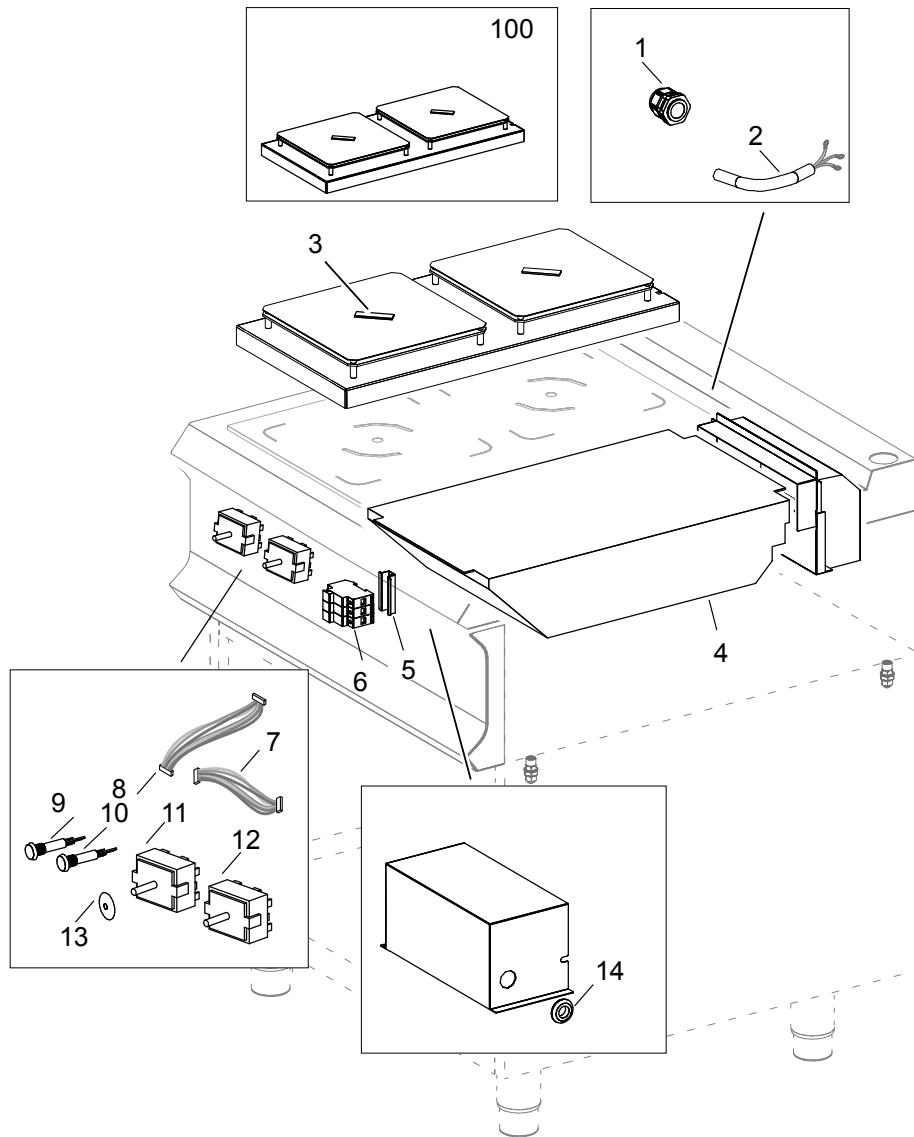
As Informações e desenhoS podem estar um pouco diferente da realidade e são puramente indicativas. O fabricante pode modificar estas informações a qualquer momento sem aviso prévio.



<b>Nr.</b>	<b>Code</b>	<b>Title</b>	<b>Recommended</b>
1.	184744	INDUCTION GLASS	
3.	203750	FRONT PANEL	
6.	202200	COMMUTATOR KNOB	
7.	200342	SWITCH RING	
8.	202935	AIR FILTER STOP	✓
9.	181413	FILTER	✓
10.	203131	EXTERNAL DRAWER PANEL	
12.	202046	CHIMNEY GRILL	
100.	ECS9018	RECOMMENDED PARTS FOR IN98	
101.	RIC0005161	TOP GLASS WITH NO WIRING	
102.	RIC0005162	FILTER HOLDER	



<b>Nr.</b>	<b>Code</b>	<b>Title</b>	<b>Recommended</b>
6.	203679	<i>REAR HIGH</i>	
7.	203738	<i>REAR LOWER</i>	
8.	201556	<i>RIGHT SIDE</i>	
9.	201557	<i>LEFT SIDE</i>	
11.	201652	<i>REMOVABLE LOWER FLOOR</i>	
12.	201554	<i>CROSS FEET</i>	
13.	RTCU700277	<i>FOOT</i>	
14.	200467	<i>FRONT-REAR CROSS MEMBER</i>	



<b>Nr.</b>	<b>Code</b>	<b>Title</b>	<b>Recommended</b>
1.	RTBF800138	CHOCK	
2.	182733	POWER SUPPLY CABLE	
3.	RIC0003557	SENSOR FOR INDUCTANCE + KAPTON TAPE	
4.	177904	GENERATOR	✓
5.	184553	SUPPORT	
6.	182729	FUSE HOLDER	✓
7.	186393	CONNECTING CABLE POTENTIOMETER	✓
8.	186392	CONNECTING CABLE POTENTIOMETER/GENERATOR	✓
9.	186391	CABLE 2 LAMPS LENGTH 0,5MT	✓
10.	186391	CABLE 2 LAMPS LENGTH 0,5MT	✓
11.	186390	ENCODER	✓
12.	186390	ENCODER	✓
13.	RTC800185	GASKET FOR COMMUTATOR ROD	✓
14.	RTBF800134	CHOCK	