

Victoria Arduino

1905

SERVICE MANUAL

MYTHOS 2



EDITION	DATE	MODIFICATIONS
00	01/2020	First Edition

IN+PLUS

AUTORYZOWANY DYSTRYBUTOR
www.simonelligroup.pl

MACHINE DESCRIPTION	1
FIRST INSTALLATION AND PRELIMINARY OPERATIONS	2
REMOVAL OF THE EXTERNAL SURFACE	3
GRINDING CHAMBER AND GRINDERS	4
GRINDER MOTOR	5
ELECTRIC COMPONENTS	6
PROGRAMMATION	7
ALARMS AND TROUBLESHOOTING	8
MAINTENANCE CHECKING	9
DIAGRAMS	10
SPARE PART CATALOGUE	11

IN+PLUS
AUTORYZOWANY DYSTRYBUTOR
www.simonelligroup.pl

IN+PLUS

AUTORYZOWANY DYSTRYBUTOR
www.simonelligroup.pl

INDEX

1. MACHINE DESCRIPTION..... 1.1	6. ELECTRIC COMPONENTS..... 6.1
1.1 MACHINE GENERAL DESCRIPTION .. 1.2	6.1 MAIN BOARD..... 6.2
1.2 SAFETY REGULATIONS..... 1.3	6.1.1 FUSES 6.2
1.3 APPLICATIONS AND USE 1.4	6.1.2 MAIN BOARD CONNECTIONS 6.3
1.4 BASIC SAFETY PRECAUTIONS..... 1.4	6.2 DISPLAY BOARD..... 6.3
1.5 IMPORTANT INFORMATION..... 1.5	6.2.1 DISPLAY BOARD CONNECTIONS 6.3
1.6 PRESERVATION OF THE MANUAL 1.5	6.2.2 GRAVIMETRIC SENSOR PLUG 6.4
1.7 CONTENTS CHECK 1.6	6.3 GRINDER MOTOR
	TEMPERATURE PROBE..... 6.4
	6.4 GRINDING CHAMBER
	TEMPERATURE PROBE..... 6.5
2. FIRST INSTALLATION AND PRELIMINARY OPERATIONS 2.1	6.5 INFRARED SENSORS..... 6.5
2.1 FIRST INSTALLATION 2.2	6.5.1 REMOVAL OF THE SENSORS..... 6.6
2.1.1 TECHNICAL CHARACTERISTICS 2.2	6.6 REMOVAL OF THE MAIN SWITCH 6.7
2.1.2 POSITIONING THE MACHINE 2.3	
2.1.3 PROCEDURE OF FIRST INSTALLATION 2.3	
2.1.4 BASIC PROGRAMMING..... 2.4	7. PROGRAMMING 7.1
2.1.5 GRIND COFFEE..... 2.7	7.1 HIDDEN MACHINE SETTINGS 7.2
2.1.6 GRINDING SIZE 2.8	7.2 SOFTWARE UPDATE 7.4
3. REMOVAL OF THE EXTERNAL SURFACE 3.1	8. ALARMS AND TROUBLESHOOTING 8.1
3.1 REMOVAL OF THE REAR PART..... 3.2	8.1 WARNING MESSAGES..... 8.2
3.2 REMOVAL OF THE DISPLAY CONTROL UNIT COVER..... 3.4	8.2 ALARM MESSAGES..... 8.2
3.3 REMOVAL OF THE DISPENSING SPOUT 3.5	8.3 TROUBLESHOOTING..... 8.3
3.3.1 REMOVAL OF THE UNIT COVERS 3.6	
3.4 REMOVAL OF THE GRINDING ADJUSTMENT KNOB..... 3.7	9. MAINTENANCE CHECKING 9.1
3.4.1 INSTALL THE KNOB..... 3.7	9.1 MAINTENANCE EVERY 50000 CYCLES OR 6 MONTHS..... 9.2
3.5 REMOVAL OF THE FILTER HOLDER FORK 3.8	9.2 MAINTENANCE EVERY 100000 CYCLES 9.3
3.5.1 FILTER HOLDER FORK HEIGHT ADJUSTMENT 3.8	
3.6 REMOVAL OF THE MICROSWITCH (TIMER VERSION ONLY) 3.9	10. DIAGRAM 10.1
3.7 REMOVAL OF THE GRAVIMETRIC SENSOR (GRAVIMETRIC VERSION ONLY) 3.9	10.1 ELECTRICAL DIAGRAM INVERTER CURRENTS..... 10.2
	10.2 ELECTRICAL DIAGRAM INVERTER CONTROL MICROSWITCH..... 10.3
	10.3 ELECTRICAL DIAGRAM INVERTER INPUT/OUTPUT 10.4
	10.4 ELECTRICAL DIAGRAM INVERTER INSULATED 10.5
	10.5 ELECTRICAL DIAGRAM INVERTER POWER 10.6
	10.6 ELECTRICAL DIAGRAM INVERTER WITH VINCOTECH MODULE 10.7
	10.7 ELECTRICAL DIAGRAM INVERTER PROTECTION LATCH 10.8
4. GRINDING CHAMBER AND GRINDERS..... 4.1	
4.1 ACCESS THE GRINDING CHAMBER .. 4.2	
4.2 GRINDERS REPLACE 4.3	
5. GRINDER MOTOR 5.1	11. SPARE PART CATALOGUE 11.1
5.1 ACCESS THE GRINDER MOTOR..... 5.2	
5.2 REMOVAL OF THE GRINDER MOTOR 5.3	

IN+PLUS

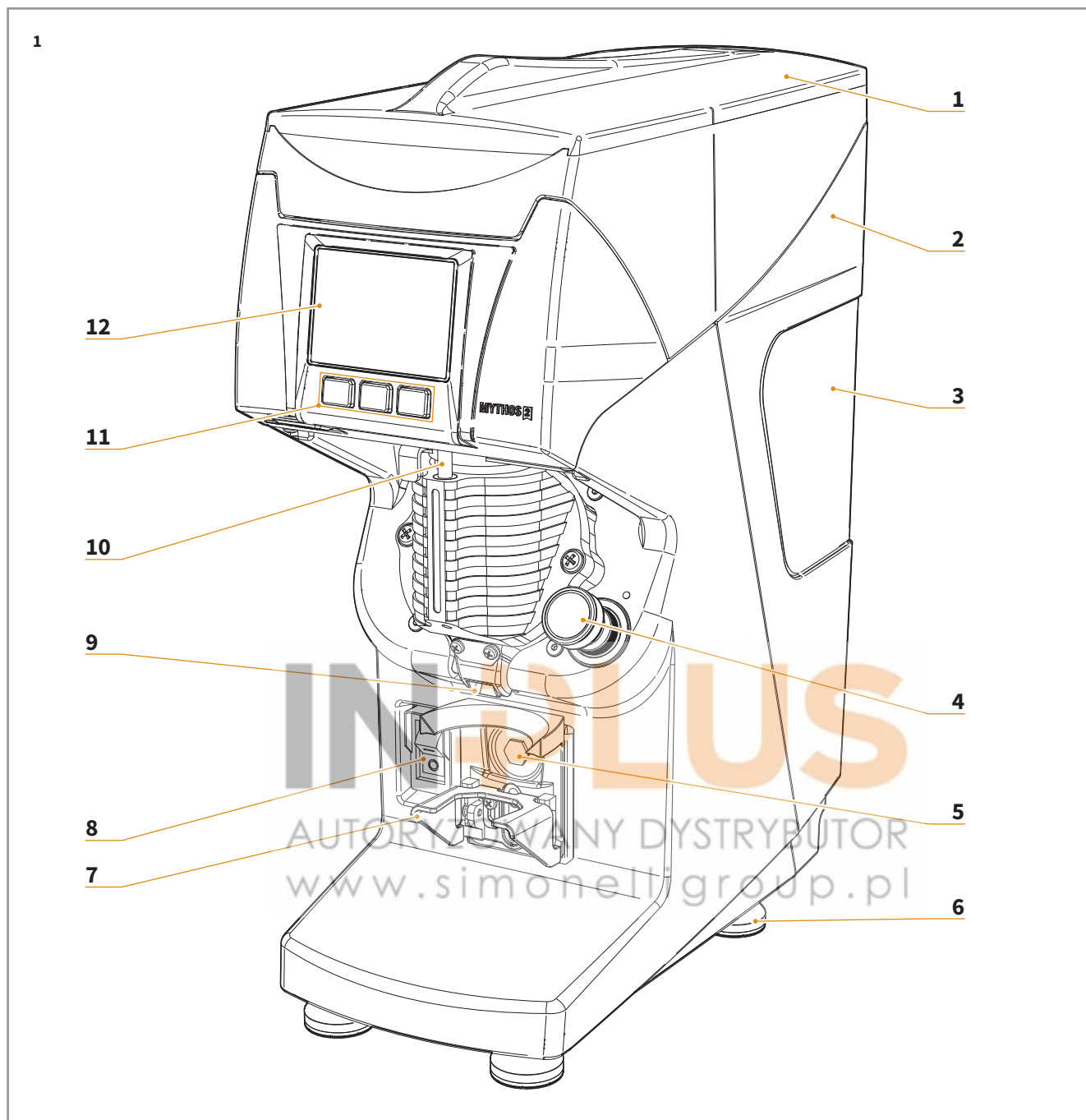
AUTORYZOWANY DYSTRYBUTOR
www.simonelligroup.pl



INDEX

1. MACHINE DESCRIPTION	1.1
1.1 MACHINE GENERAL DESCRIPTION	1.2
1.2 SAFETY REGULATIONS.....	1.3
1.3 APPLICATIONS AND USE	1.4
1.4 BASIC SAFETY PRECAUTIONS.....	1.4
1.5 IMPORTANT INFORMATION.....	1.5
1.6 PRESERVATION OF THE MANUAL	1.5
1.7 CONTENTS CHECK	1.6

1.1 MACHINE GENERAL DESCRIPTION

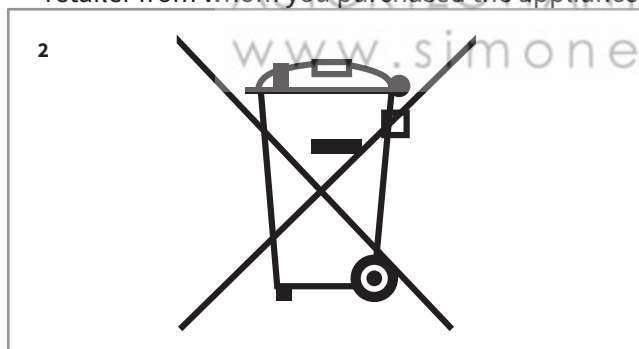


- | | | | |
|---|-------------------------|----|----------------------|
| 1 | Container cover | 7 | Filter holder fork |
| 2 | Coffee bean container | 8 | ON/OFF switch |
| 3 | Rear blackboard | 9 | Dispensing spout |
| 4 | Grinding adjusting knob | 10 | Heating element |
| 5 | Grinding start button | 11 | Dose button |
| 6 | Machine foot | 12 | Touch screen display |

1.2 SAFETY REGULATIONS

Machine design has taken into account all reasonable user safety precautions; nevertheless, particular conditions of installation and/or handling may create unforeseen situations beyond the installer's control which will require case-by-case evaluation of residual risks. We recommend keeping the following in mind:

- Always handle the machine with care to avoid the danger of its falling.
- The packing materials (carton, cellophane, staples, polystyrene, etc..) can cut, wound or create hazards if used improperly or handled carelessly. Store such materials out of reach of children and irresponsible persons.
- This symbol on the appliance or package means that the appliance must not be considered as normal household refuse but that it must instead be delivered to an appropriate collection centre for the recycling of electric and electronic appliances. Make sure that this appliance is disposed of correctly and you too will be making your contribution to the prevention of negative effects on health and the environment, which could otherwise be caused by inadequate disposal. Recycling materials helps to preserve our natural resources. For more information about how to recycle this product, you can contact your local council office, local refuse disposal service or the retailer from whom you purchased the appliance.



- Before carrying out any installation or adjustment process, be sure to have read and thoroughly understood the warnings in this manual.
- The company cannot be held liable for any damage to people or property resulting from failure to respect the instructions concerning safety, installation and maintenance contained in this manual.
- The power cord of this appliance must never be replaced by the user. In the event of damage, switch off the appliance and only contact professionally qualified technicians for its replacement.

- Should you decide to no longer use this type of appliance, we recommend that you make it inoperative: unplug the appliance from the mains socket and cut off the power cord.
- All defects and/or anomalous machine behaviour should be reported immediately to authorized installation and/or maintenance personnel.
- Before connecting the machine, check that electrical power supply corresponds to the specifications on the data plate.
- Should the machine plug not be compatible with your socket, have the plug replaced with a suitable type by a qualified technician, who should also check that the section of the wires supplying the power outlet is suitable for the machine power requirements.
- Avoid use of multiple-plug adapters and extension cords.
- The ground wire must be connected; the electrical system must meet the standards set by local safety laws and regulations.
- The machine must be installed only by authorized, qualified personnel.
- Check that the machine components have suffered no damage during shipping; in the case defects or anomalies are found, interrupt installation and request replacement.
- Never obstruct the fan grids.
- Never insert objects into the fan grids.



WARNING

Do not touch the heating element or the upper grinder holder during machine functioning, as they might reach high temperatures.

1.3 APPLICATIONS AND USE

- This grinder dispenser has been devised for professional use by trained personnel.
- The grinder/dispenser must be used only for the application for which it was designed; that is, grinding roasted coffee beans. Any other use must be considered improper and therefore dangerous.
- The manufacturer shall not be held responsible for damages deriving from improper, erroneous or unreasonable use of the machine.
- The appliance must not be used by children or people with reduced, physical, sensorial or mental abilities. It must also never be used by people without the necessary skills and experience unless under supervision or during training. Do not allow children to play with this equipment at any time.
- The machine is not designed for use in extreme environmental conditions and in any case at temperatures outside the -5°C to +30°C range.
- The user must respect the general safety regulations in force in the country in which the machine is installed as well as the rules of common sense, and shall be responsible for ensuring that periodic machine maintenance is correctly performed.
- The persons installing and using the machine and performing machine maintenance shall inform the manufacturer of any defects or damages due to wear that might jeopardize the original safety features of the machine.
- The installer shall be responsible for checking that the machine is installed in tolerable environmental conditions such as to not to create health or safety hazards for those using the machine.
- Any responsibility deriving from components manufactured and installed on the machine shall be assumed by the respective manufacturers; responsibility attributable to the persons authorized to use the machine shall be assumed by the customer.
- Recommended period of use are Ton 30 sec and Toff 60 sec.
- The machine is designed for 24-hour intermittent service. The machine components are designed and built to ensure at least 1000 hours' operation.
- Good cleaning and maintenance also contribute to determining long machine life.

1.4 BASIC SAFETY PRECAUTIONS

- Never touch the machine with damp or wet hands.
- Never use the machine when barefoot.
- Never attempt to unplug the machine by pulling the power cord or the machine itself.
- Do not expose the machine to atmospheric agents (sun rain, etc..).
- Never allow the machine to be used by children or by irresponsible persons.
- Always use the appliance on a flat, steady surface that is able to support its weight.
- Always unplug the machine from the power supply before performing any cleaning or maintenance operations.
- Do not use jets of water or detergents for cleaning.
- In the case of machine breakdown or malfunction switch the machine off and do not tamper with it.
- For repairs contact only an authorized service center and request use of original spare parts.
- Non-observance of the above precautions may make the machine unsafe for future use.
- Do not leave the machine switched on when not in use. Unplug the machine when not in use.
- Do not obstruct the ventilation and/or heat dissipation openings and/or slits nor introduce water or any other liquids into same.
- Do not obstruct the ventilation and/or heat dissipation openings and/or slits nor introduce water or any other liquids into same.
- Never insert spoons, forks or other utensils into the pouring lip, or into the coffee grain container for any reason whatsoever while the appliance is operating.
- Always switch off the appliance before removing blockages from the pouring lip.
- Never place the appliance in water or other liquids.
- Should a foreign body stop the motor, switch the machine off immediately and contact an authorized service center.
- While machine is operating, the upper grinder holder may reach high temperatures; do not touch such part during functioning for any reason.



WARNING

If the thermal breaker to protect the motor is triggered, do not attempt any other manoeuvre. Unplug the machine from the power mains and make sure that any problems have been solved before switching the machine on again.

1.5 IMPORTANT INFORMATION

The information contained in this manual must not be construed as substituting the safety prescriptions and the technical data regarding installation and operation carried on the machine itself and on the packing materials.

This manual reflects the current state of machine technology and shall not be considered obsolete solely because updated at a later date on the basis of acquired experience. The images shown in this manual are for information only.

The manufacturer reserves the right to make modifications to this manual with no obligation to update previous versions except in exceptional cases.

Improper use of the machine or use in manners other than those described in this manual shall invalidate the guarantee conditions and shall release the manufacturer from all responsibility, the machine must be used only by adult, responsible persons.

This manual must be preserved with care: the manufacturer declines all responsibility for damages to persons or things or to the machine itself deriving from improper use or use in manners other than those described herein or in the case the maintenance and safety precautions described herein are not respected.

1.6 PRESERVATION OF THE MANUAL

This manual must at all times be available to the machine user and/or the persons performing maintenance on the machine, who must be provided with full information regarding correct machine use and residual risks.

This manual must be preserved in a clean, dry place away from sources of heat. This manual must be used in a manner such as not to damage any part of its contents.

Do not remove, tear out or re-write any part of this manual for any reason.

In case of loss of this manual or for further information, please contact your area retailer or the manufacturer.

1.7 CONTENTS CHECK

Upon receipt of the box, check that the packaging is intact and visually undamaged. Inside the packaging must be the instruction manual and the relative kit.

In case of damage or faults, contact your local dealer.

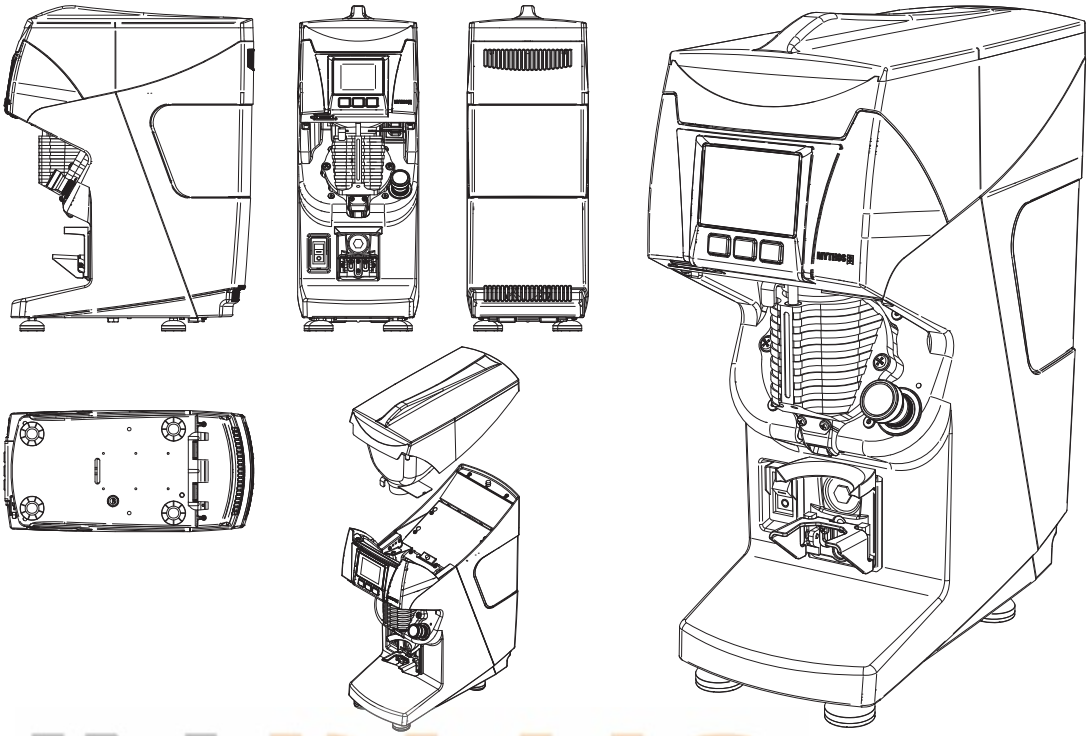
For any communication, always communicate the serial number.

The communication must be carried out within 8 days from the receipt of the machine.



1 Machine

2 Coffee bean container



INDEX

2. FIRST INSTALLATION AND PRELIMINARY OPERATIONS..... 2.1

2.1 FIRST INSTALLATION 2.2

2.1.1 TECHNICAL CHARACTERISTICS 2.2

2.1.2 POSITIONING THE MACHINE 2.3

2.1.3 PROCEDURE OF FIRST INSTALLATION 2.3

2.1.4 BASIC PROGRAMMING 2.4

2.1.5 GRIND COFFEE 2.7

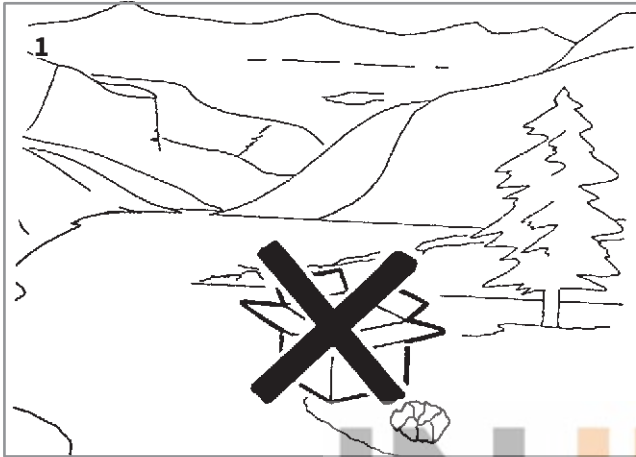
2.1.6 GRINDING SIZE 2.8



RISK OF POLLUTION

DO NOT DISPOSE PACKAGING in the environment.

Prior to installation please carefully read the safety instructions in this manual. The company cannot be held responsible for damage to persons or property arising from non-compliance with safety regulations, either during installation or maintenance of the machine described in this manual.



WARNING

Place the machine in an area where all risks of malfunction can be avoided.

2.1 FIRST INSTALLATION

NOTE

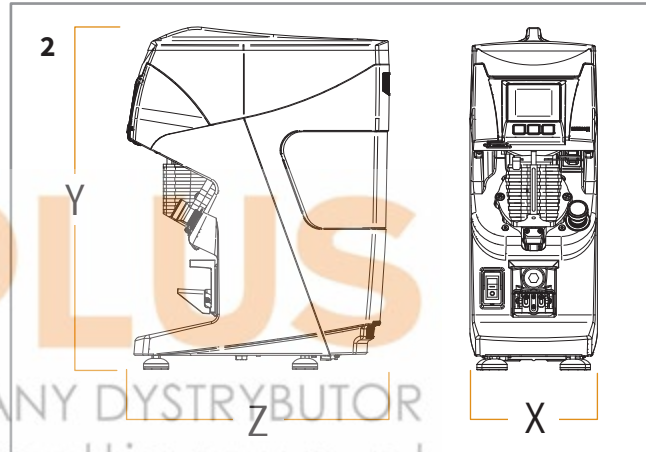
We suggest to the less experience technicians of this machine, to try it several times before installation to the Customer.



WARNING

Never install in areas where the machine may be subject to jets of water.

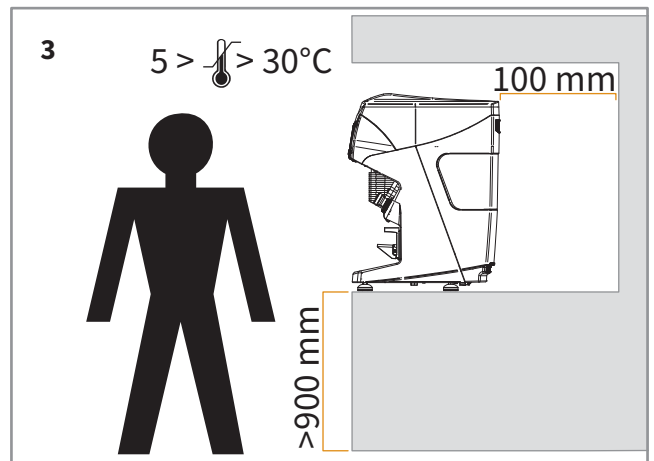
2.1.1 TECHNICAL CHARACTERISTICS



Version		Fixed speed Timer only	Variable speed Timer only	Variable speed Timer & Gravimetric
Voltage	V		110 / 220	
Frequency	Hz		50 / 60	
Power consumption	W	300	550	
Hopper	kg/lb		2 / 4,4	
Grinding speed	g/s	4	2-4	
Net weight	kg/lb	21	21,9	22,1
Gross weight	kg/lb	23,5	24,5	24,7
Dimensions				
Width (X)	mm/inch		518	
Height (Y)	mm/inch		202	
Depth (Z)	mm/inch		416	

2.1.2 POSITIONING THE MACHINE

Once the packaging has been removed and the integrity of the machine and accessories have been checked, place the machine on a horizontal surface. Position the machine on a horizontal plane at least 900 mm high from the ground. Ensure that it is correctly levelled. Keep at least 100 mm around the machine for proper ventilation.



2.1.3 PROCEDURE OF FIRST INSTALLATION

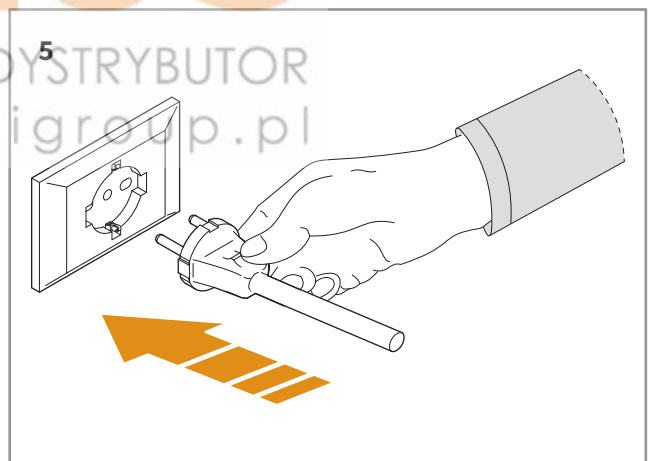
After the positioning of the machine, to complete the installation, it is necessary to:

1 Insert the coffee bean container into the machine.

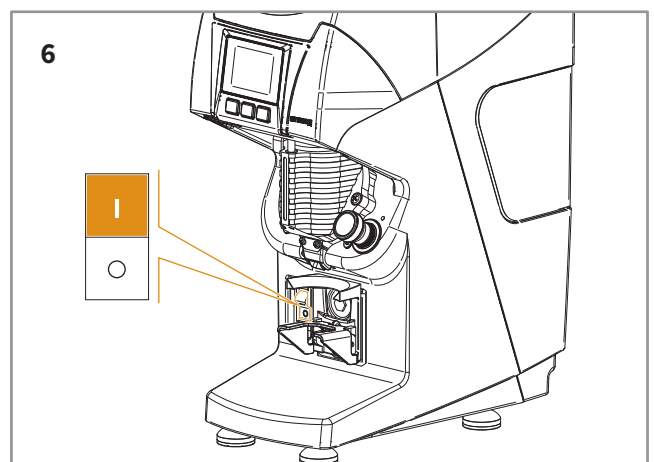


2 Connect the machine at the electrical mains using the relevant socket.

INFLU
AUTORYZOWANY DYSTRYBUTOR
www.simonelligroup.pl



3 Switch ON the machine.



NOTE

When switching the appliance ON for the first time, it is configured in the default mode and anyway, in the following uses, it will maintain the last mode previous to switch OFF.

NOTE

You can write any notes with chalks on the rear blackboard, that can be cleaned with a damp cloth.

- 4 Open the cover and fill it with coffee beans. Pull the tab inside the container to allow the passage of coffee and to secure the coffee bean container to the machine.

2.1.4 BASIC PROGRAMMING

MYTHOS 2 has six grinding scenarios called MY COFFEE, each one with three doses and its proper settings.

My coffee 1, 2 and 3 can only be modified from programming menu.

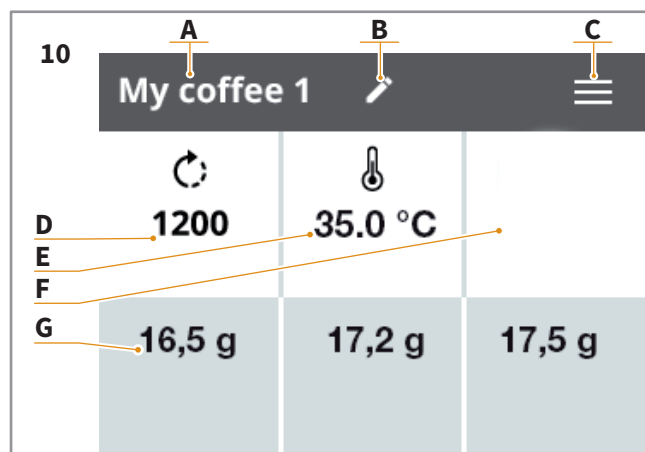
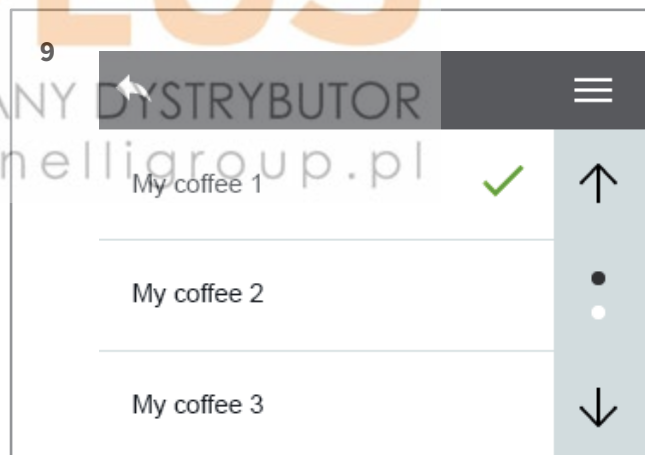
My coffee 4, 5 and 6 can also be modified directly from the use page, keeping the respective sensitive areas pressed down.

NOTE

My coffee 6 is the "Barista mode", a different scenario where one dose is shown in the center of the display and it is possible to change directly.

When ON, the home page displays:

- A My coffee number
- B The select scenario icon
- C The main menu icon
- D Rpm setting
- E Grinder head temperature
- F Advanced settings
- G Weight / Time dose 1, 2, 3



To choose a scenario:

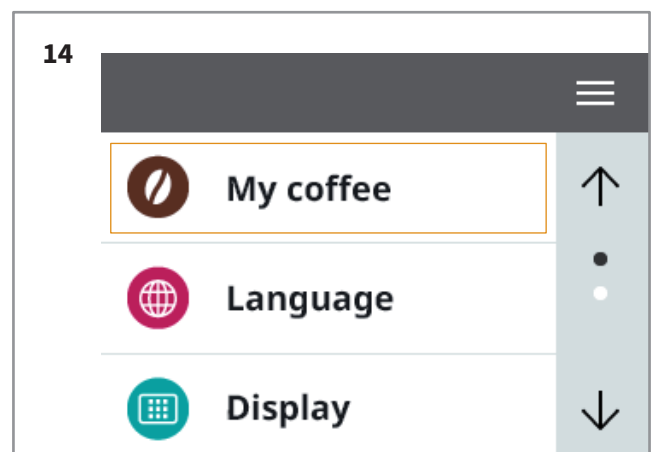
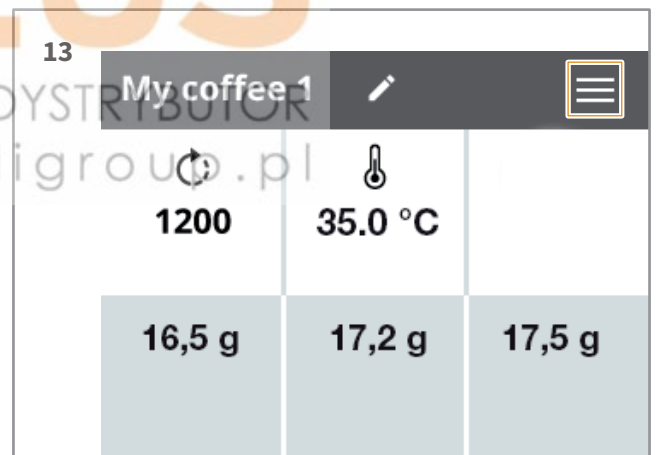
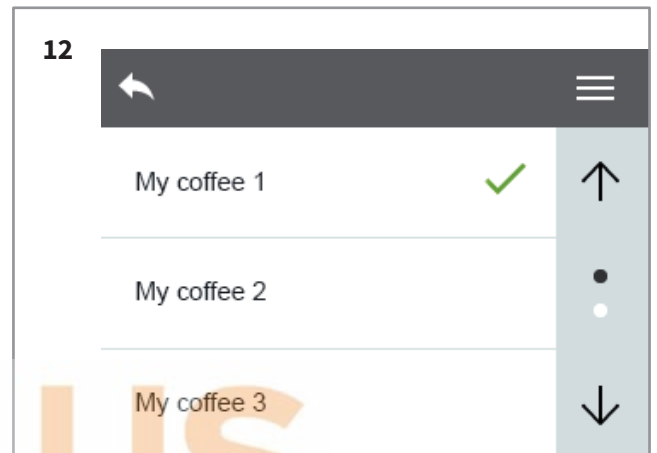
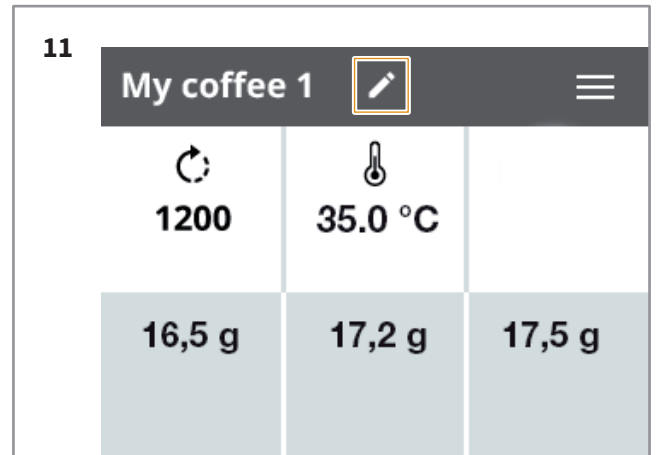
- 1 Press the select scenario icon.

- 2 Choose a MY COFFEE.

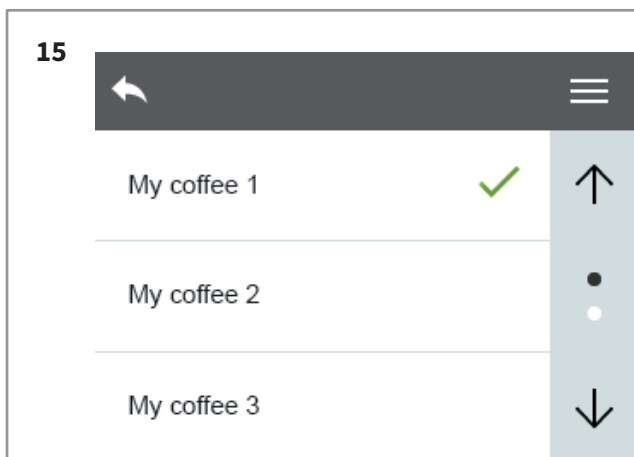
To change doses on MY COFFEE 1, 2 or 3:

- 1 Press the main menu icon.

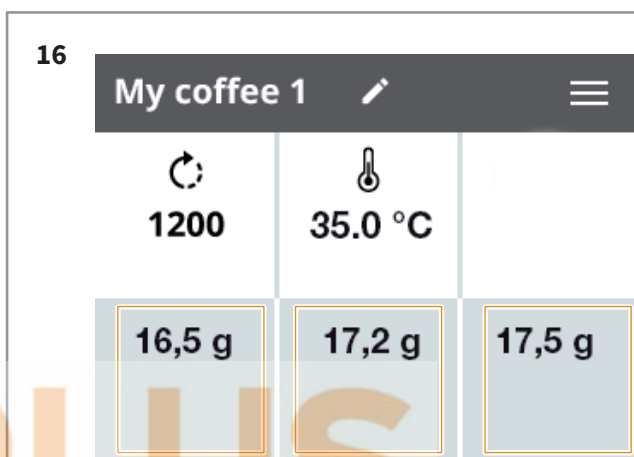
- 2 Select the MY COFFEE menu.



3 Choose the MY COFFEE to modify.



4 Keep pressed the dose to modify.



5 Set the grinding time or weight by pressing - / +:

- ✓ = Confirm
- ✗ = Cancel



To exit menu, press



NOTE

To change doses on MY COFFEE 4, 5 or 6, proceed directly from the use page.

2.1.5 GRIND COFFEE

To grind coffee press one dose key or the touch screen display (this light up) to choose a dose.

Timer version

1 Place the filter holder on the fork.

2 Push the filter holder forward until it comes in contact with the button to pour out the ground coffee through the spout.

Gravimetric version

Hook and release the filter holder on the fork.

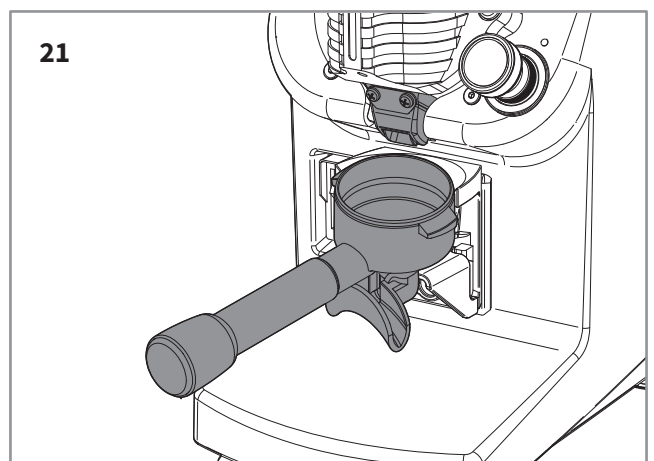
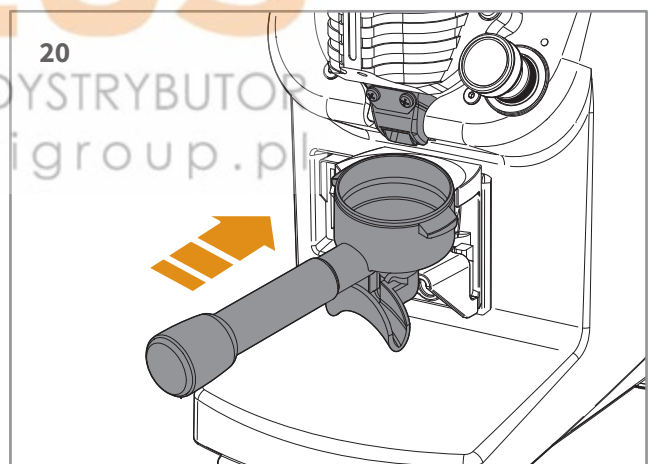
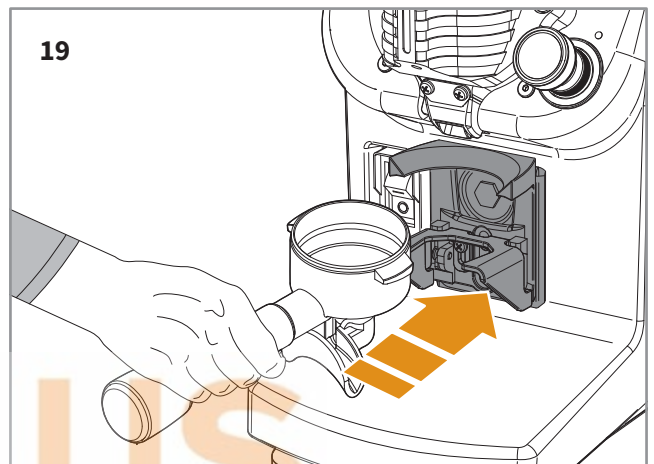
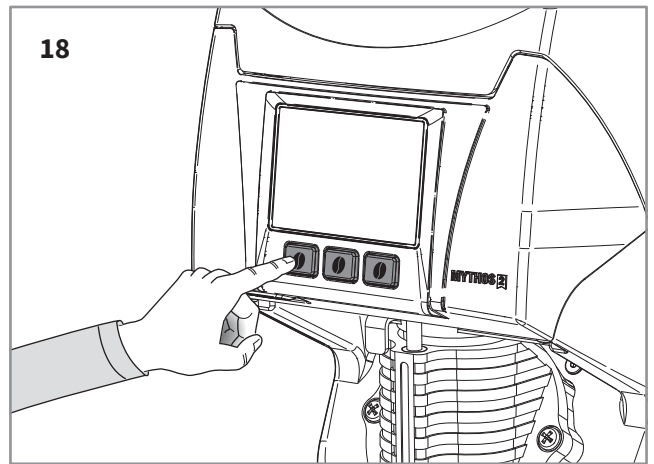
Machine will carry out tare and will begin to deliver coffee up to the set weight.

Leave the filter holder until the grinder finishes, otherwise it never stop.

NOTE

There may be an excessive distribution of coffee in the filter holder for the first 10 - 20 ground doses.

If it persists, check the clump crusher (see the relevant paragraph 3.3.1).



2.1.6 GRINDING SIZE

Use the knob, turning it clockwise for finer grinding or anti-clockwise for a coarser grinding.



WARNING

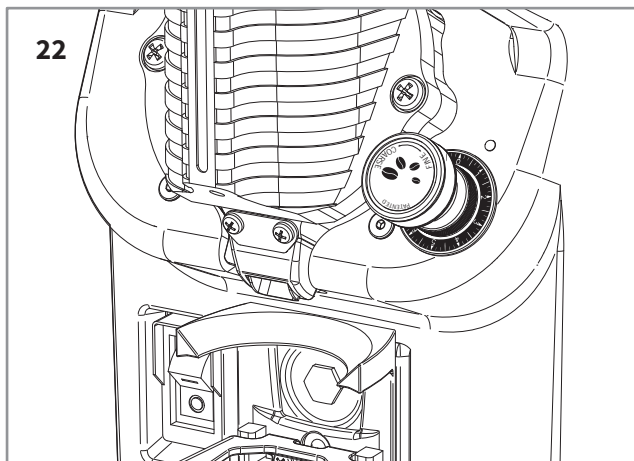
Grinding setting must be performed gradually, grinding a little coffee each time that the knob is turned by two digits (notches).

The machine may seize up if the knob is moved by one turn while the motor is switched off.

NOTE

The setting has no stop points and each turn of the knob corresponds to a movement of 0.4 mm of the burrs.

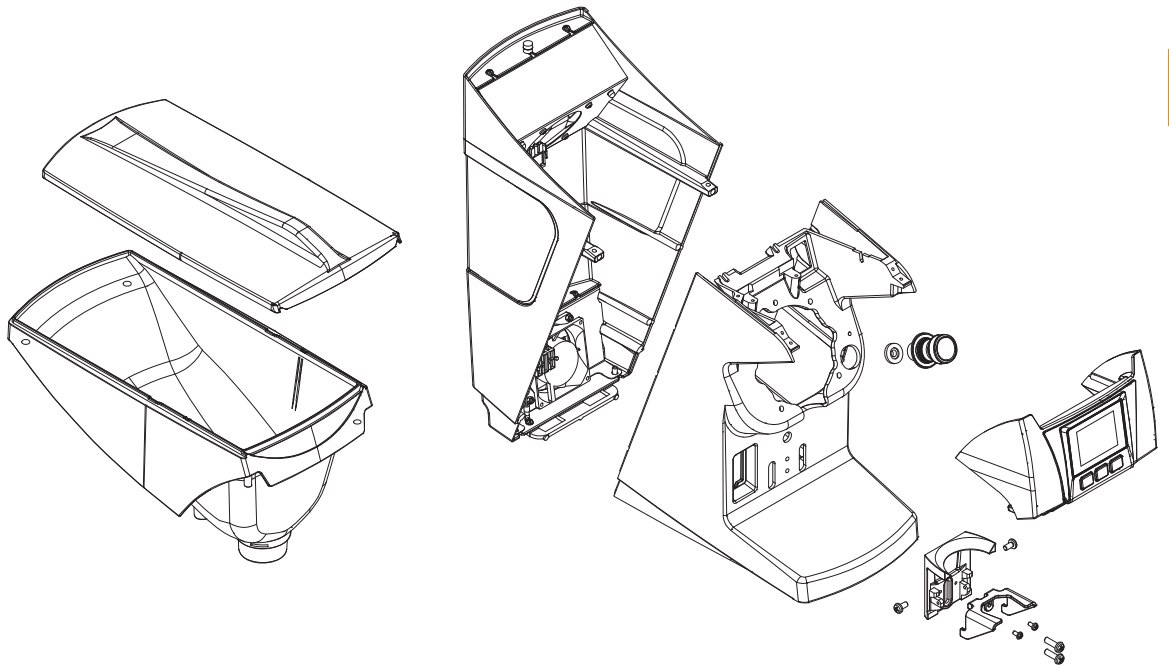
The machines equipped with resettable knob can be set to zero at a preset grinding point by holding the top part of the knob in position and using the ring nut on the base.



IN PLUS
AUTORYZOWANY DYSTRYBUTOR
www.simonelligroup.pl

3

REMOVAL OF THE EXTERNAL SURFACE



INDEX

3.	REMOVAL OF THE EXTERNAL SURFACE	3.1
3.1	REMOVAL OF THE REAR PART	3.2
3.2	REMOVAL OF THE DISPLAY CONTROL UNIT COVER	3.4
3.3	REMOVAL OF THE DISPENSING SPOUT	3.5
3.3.1	REMOVAL OF THE UNIT COVERS	3.6
3.4	REMOVAL OF THE GRINDING ADJUSTMENT KNOB	3.7
3.4.1	INSTALL THE KNOB	3.7
3.5	REMOVAL OF THE FILTER HOLDER FORK	3.8
3.5.1	FILTER HOLDER FORK HEIGHT ADJUSTMENT	3.8
3.6	REMOVAL OF THE MICROSWITCH (TIMER VERSION ONLY)	3.9
3.7	REMOVAL OF THE GRAVIMETRIC SENSOR (GRAVIMETRIC VERSION ONLY)	3.9

Use gloves to protect against sharp or hot surfaces that you can bump against involuntarily during operations.



DANGER

Before proceeding with the operations described in the chapter make sure that the machine is turned off and unplugged from the mains.

NOTE

Before proceeding with the removal of the panels it is advisable to clean and free up enough space where the machine parts will rest so that they are not be unintentionally damaged.

3.1 REMOVAL OF THE REAR PART

1 Slide out the tab under the coffee bean container.

2 Remove the coffee bean container from the machine.

1



DANGER

2



**SURFACES
HOT AND
CUTTINGS**

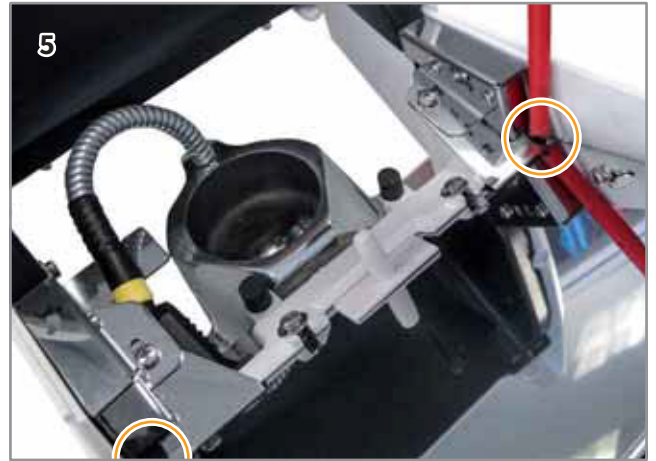
3



4



- Utilising a Phillips screwdriver, loosen the two screws that lock the rear part.



- Pull the rear part toward the rear of the machine and then downwards to release it.



- Disconnect the electrical wiring of the cooling fan. Now, is possible to remove the rear part from the machine.



NOTE

Into the rear part of the machine are installed the two cooling fans.

NOTE

The cooling fans are activated to keep the motor temperature below the value chosen in the setting "MOTOR TEMPERATURES" (see the relevant description into the User Manual) and for the second chosen in the setting "FANS TIME", each time a dose of coffee is ground.



3.2 REMOVAL OF THE DISPLAY CONTROL UNIT COVER

1 Slide out the tab under the coffee bean container.



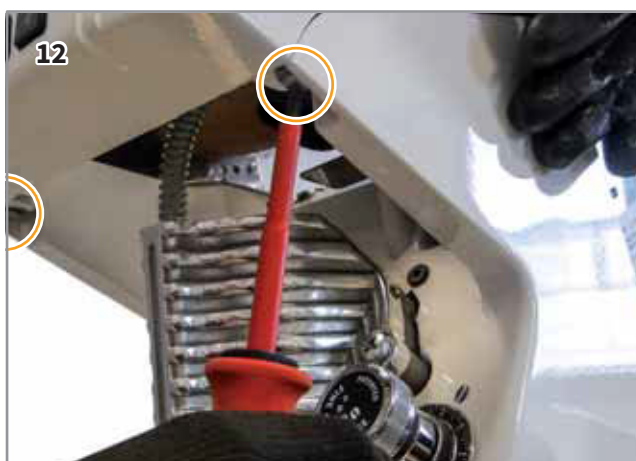
2 Remove the coffee bean container from the machine.



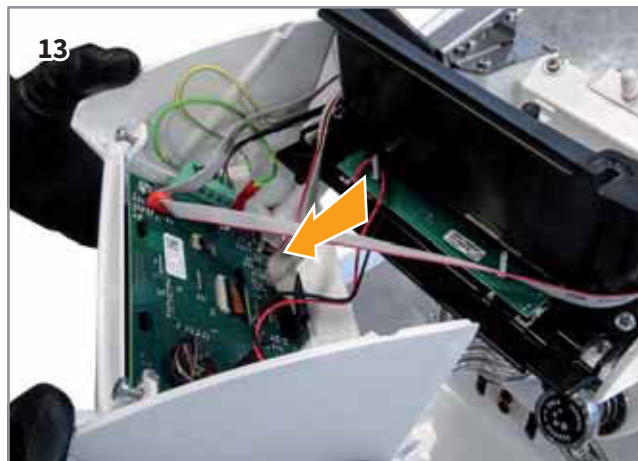
3 Utilising a Phillips screwdriver, loosen the two screws that lock the display control unit cover.



4 Remove the two screws that lock the display support to the front part of the machine, using a Phillips screwdriver.



- 5 Slide out the display support to the front part of the machine.



3.3 REMOVAL OF THE DISPENSING SPOUT

- 1 Utilising a Phillips screwdriver, remove the two screws that lock the dispensing spout to the machine.
- 2 Slide out the dispensing spout from the machine.



- 3 Remove the spout from its support.

NOTE

The dispensing spout is composed of a plastic cover, a metal channel and the clump crusher.



3.3.1 THE CLUMP CRUSHER

The clump crusher is a plastic device situated into the dispensing spout.

It allows to optimize the flow of ground coffee so that the quality present in the filter holder, at the end of the grinding process, correspond to that show on the display.

NOTE

The clump crusher is not interchangeable between MYTHOS 1 and MYTHOS 2.

When the clump crusher is replaced, put it over the metal channel and ensure that:

- The side flaps should embrace the metal channel of the outside;
- The central flap must be on the front side of the channel;
- The inner (triangular) flaps must be bent toward the inside of the channel in order to be approximately flat.

After that:

- 1 Insert the clump crusher and the channel into the plastic cover.

- 2 Place the parts on the machine starting from the crack on the back and pushing it up.

NOTE

The clump crusher will function optimally after it has lost its electrostatic properties after some deliveries.



3 Add the clip and tighten the two screws.



3.4 REMOVAL OF THE GRINDING ADJUSTMENT KNOB

Rotate anticlockwise the knob until it's free from the machine.



3.4.1 INSTALL THE KNOB

To re-install the knob on the machine, rotate it clockwise until it locked on its place.

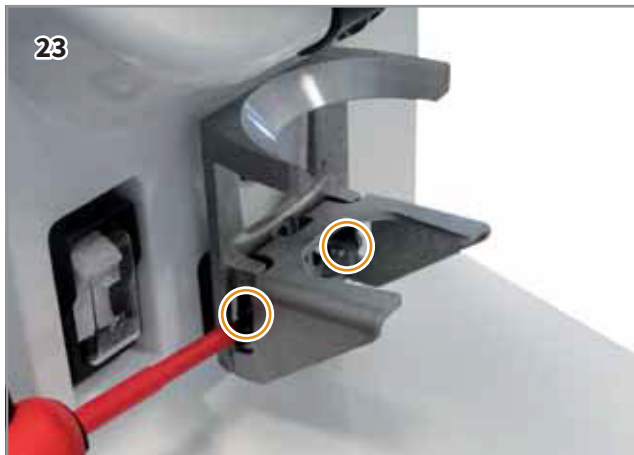


NOTE

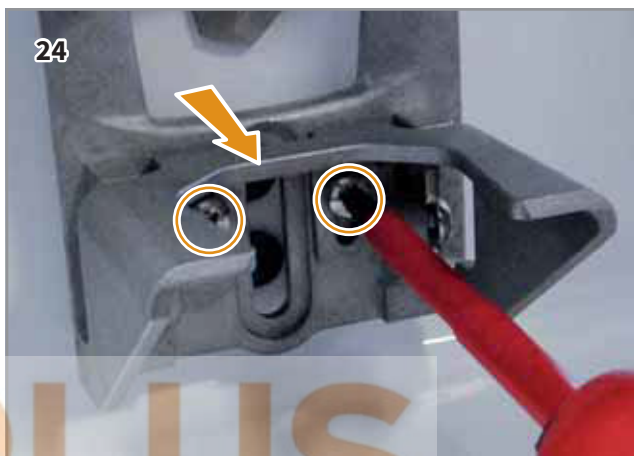
To set the knob, see the relevant paragraph 2.1.6.

3.5 REMOVAL OF THE FILTER HOLDER FORK

1 Using a Philips screwdriver remove the side screws of the fork.



2 With a screwdriver, remove the fixing screw of the panel.



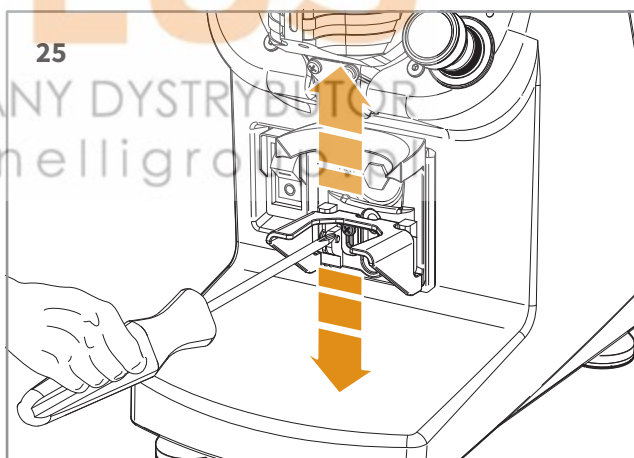
3.5.1 FILTER HOLDER FORK HEIGHT ADJUSTMENT

After have reinstalled the fork on the machine, if the size of the filter holder should be larger than the set one, the fork can be adjusted.

Using a crosshead screwdriver, loosen the fastening screw of the filter holder fork. It is recommended not to unscrew the screw completely.

Raise or lower the fork in order to adjust it according to filter holder dimensions.

Once having reached the correct position, make sure that is properly levelled and tighten the fork fastening screw.



3.6 REMOVAL OF THE MICROSWITCH (Timer version only)

The microswitch is placed between the filter holder fork.

- 1 Remove the rear panel of the machine as described in paragraph 3.1.
- 2 Use a 14 mm Key or socket wrench remove the nut which keeps the microswitch.



- 3 From the back of the machine pull the microswitch by its cable.



3.7 REMOVAL OF THE GRAVIMETRIC SENSOR (Gravimetric version only)

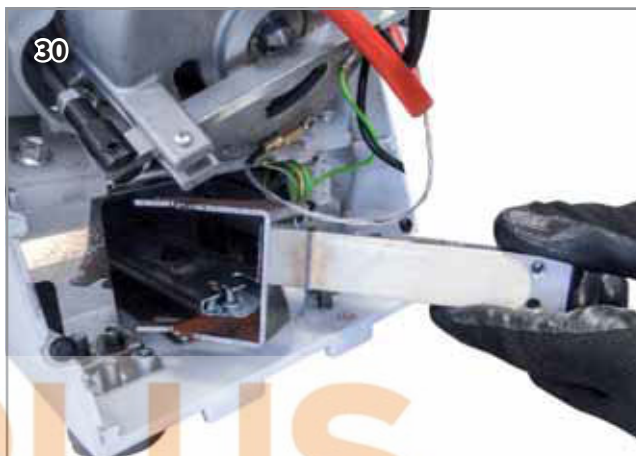
To access the gravimetric sensor, is necessary to remove the rear panel of the machine as described in paragraph 3.1.



- 1 Loosen the two nuts that lock the gravimetric sensor.



- 2 Slide out the sensor.

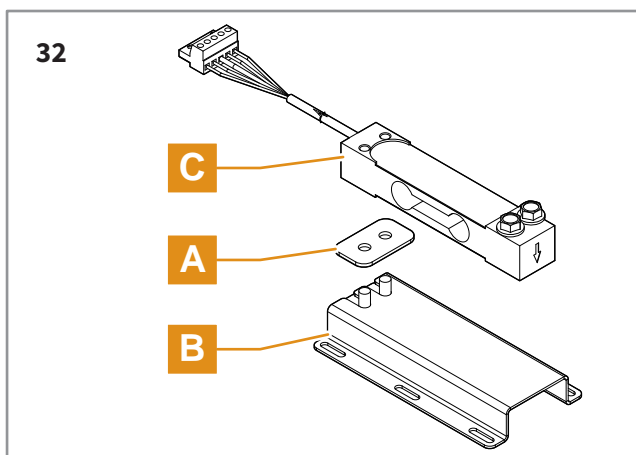


- 3 Loosen the two nuts that lock the gravimetric sensor to the fork; then the sensor is free from the machine.



3.8 REASSEMBLY OF THE GRAVIMETRIC SENSOR (Gravimetric version only)

When reassembling the Gravimetric sensor, please put attention in positioning the sheet thickness scale (A) on the bracket (B). After this, mount the sensor (C).



4

GRINDING CHAMBER AND GRINDERS



INDEX

4. GRINDING CHAMBER AND GRINDERS.....	4.1
4.1 ACCESS THE GRINDING CHAMBER	4.2
4.2 GRINDERS REPLACE.....	4.3

www.simonelligroup.pl

4.1 ACCESS THE GRINDING CHAMBER

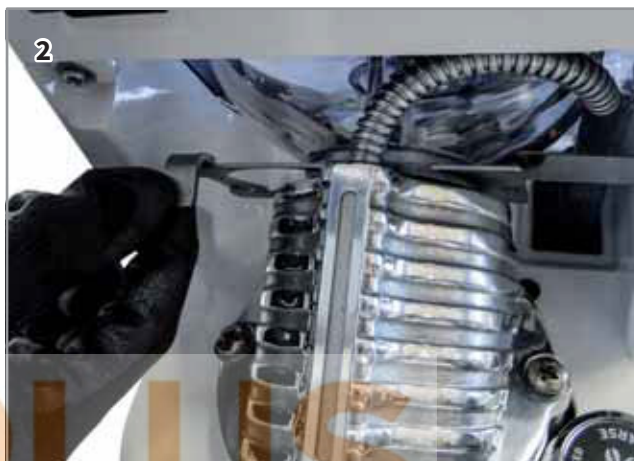
WARNING

Before carry out this operation, ensure that the machine is switched OFF and the grinding chamber resistance is cooled.

1 Slide out the tab under the coffee bean container.

2 Remove the coffee bean container from the machine.

3 Disconnect the electrical cable of the heating element.



- 4 Remove the grinding chamber by loosening the two screws using a Philips screwdriver.

NOTE

When the grinding chamber is removed, the ground coffee inside it falls.

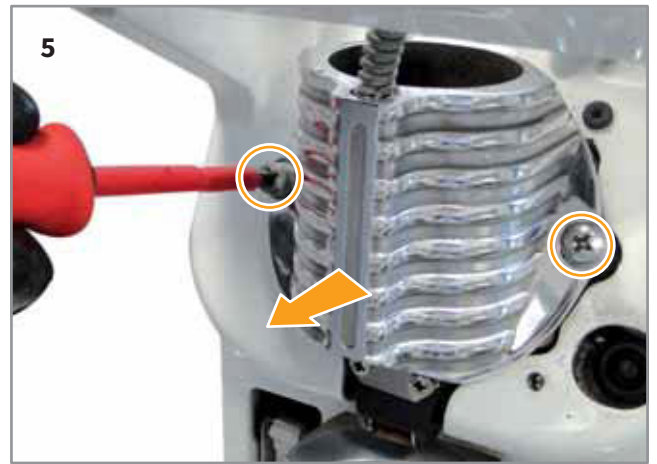
4.2 GRINDERS REPLACE

To replace the grinders it is necessary to access the grinding chamber as described in the previous paragraph.

Using a flat-head screwdriver remove the three screws on each grinder and then slide out them.

WARNING

Ensure to fix the new grinders with the screws to prevent internal damage to the machine.



IN+PLUS

AUTORYZOWANY DYSTRYBUTOR
www.simonelligroup.pl



INDEX

5. GRINDER MOTOR	5.1
5.1 ACCESS THE GRINDER MOTOR	5.2
5.2 REMOVAL OF THE GRINDER MOTOR	5.3

www.simonelligroup.pl

5.1 ACCESS THE GRINDER MOTOR

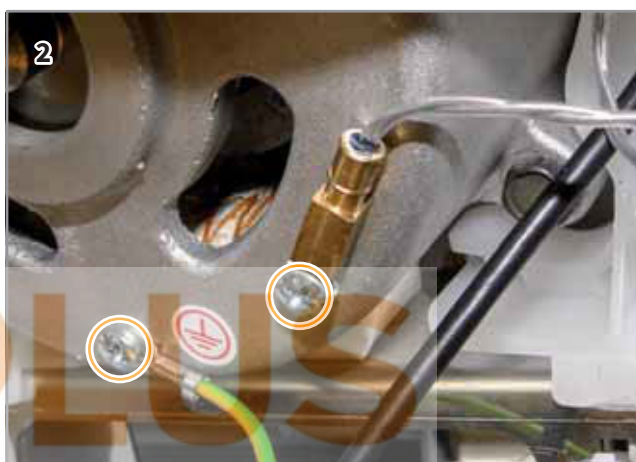
To access the grinder motor is necessary to remove the rear part of the machine (paragraph 3.1).



- 1 Disconnect the ground connections of the motor and the temperature probe, utilising a Phillips screwdriver.

NOTE

For more comfort, it's advisable to remove the grinding adjustment knob (paragraph 3.4) and the dispensing spout (paragraph 3.3).



- 2 Access the grinding chamber (paragraph 4.1).



5.2 REMOVAL OF THE GRINDER MOTOR

After accessing the grinder motor:

- 1 Remove the motor support, by loosening the two screws utilising a 10mm key.



- 2 Loosen the four silent block on the front of the machine.

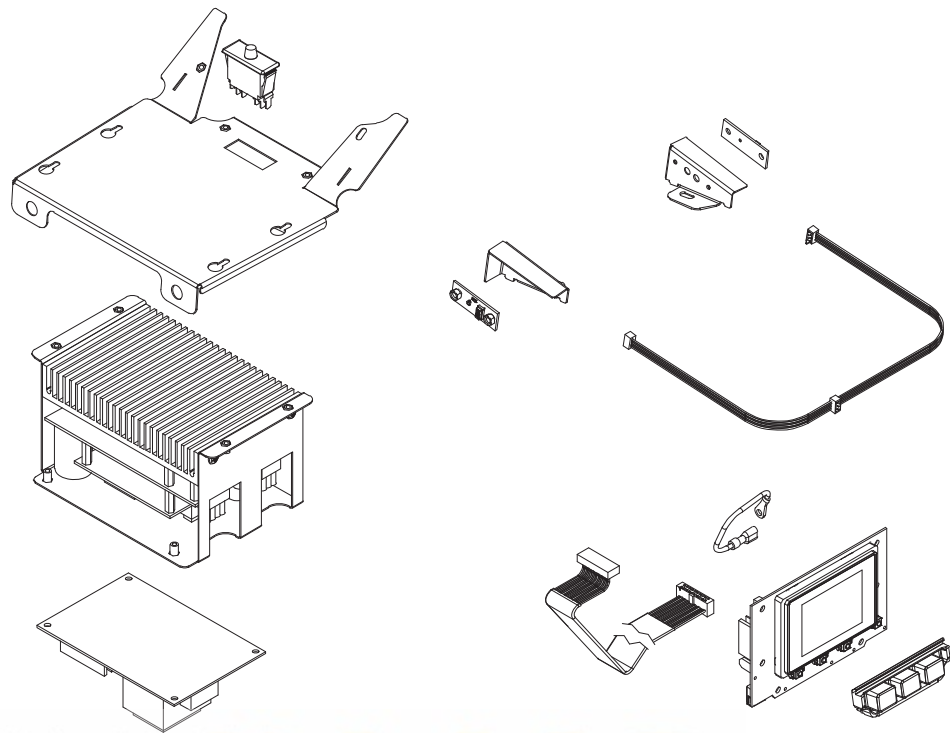


- 3 Slide out the motor from the rear of the machine.





IN+PLUS
AUTORYZOWANY DYSTRYBUTOR
www.simonelligroup.pl



INDEX

6. ELECTRIC COMPONENTS	6.1
6.1 MAIN BOARD	6.2
6.1.1 FUSES	6.2
6.1.2 MAIN BOARD CONNECTIONS	6.3
6.2 DISPLAY BOARD	6.3
6.2.1 DISPLAY BOARD CONNECTIONS	6.3
6.2.2 GRAVIMETRIC SENSOR PLUG	6.4
6.3 GRINDER MOTOR TEMPERATURE PROBE	6.4
6.4 GRINDING CHAMBER TEMPERATURE PROBE	6.5
6.5 INFRARED SENSORS	6.5
6.5.1 REMOVAL OF THE SENSORS	6.6
6.6 REMOVAL OF THE MAIN SWITCH	6.7

6.1 MAIN BOARD

The main board allows to power the display board and manage the operation of the grinder motor. It also has two relays that manage the cooling fans and the heating element.

Connected to the main board, there is the inverter that allows to restart the grinder in case of malfunctioning. After three restarts, is necessary a machine cleaning.

To access the main board, it is necessary to:

- 1 Remove the rear part of the machine (paragraph 3.1).
- 2 Loosen the four screws of the cover, using a Phillips screwdriver.

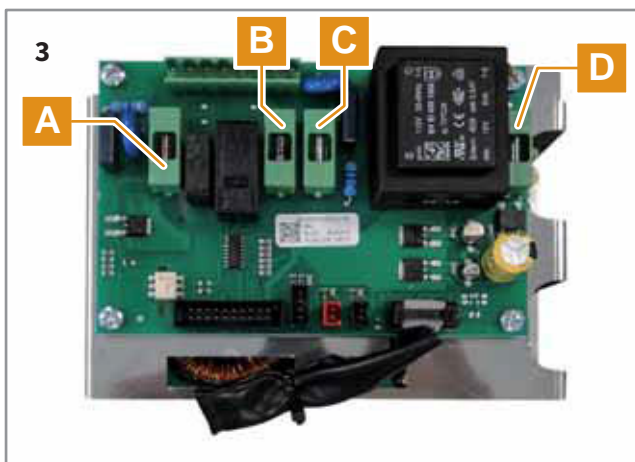
- 3 To remove the main board from its holder, slide the screws along the slot until it's free.

NOTE

If you replace the main board, you must configure the new one for your Mythos 2. Follow the procedure shows in the paragraph 7.1.

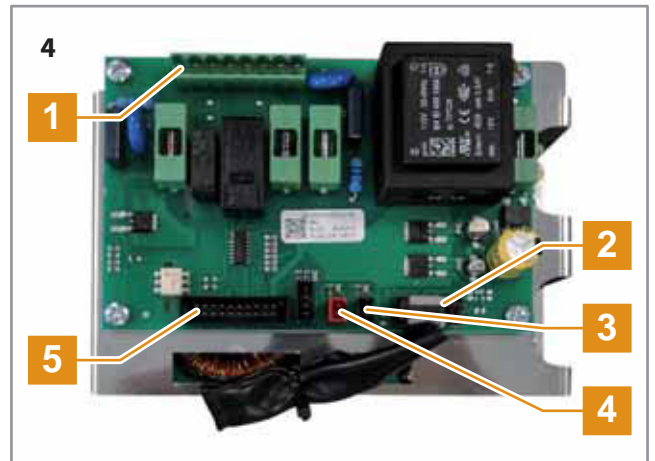
6.1.1 FUSES

- A Relays protection (F1A)
- B Inverter protection (T5A)
- C Power supply protection (T100mA)
- D Transformer protection (F500mA)



6.1.2 MAIN BOARD CONNECTIONS

- 1 Power IN plug
- 2 Main board - Inverter connection
- 3 Grinder motor temperature probe
- 4 Grinding chamber temperature probe
- 5 Main board - Display board connection



6.2 DISPLAY BOARD

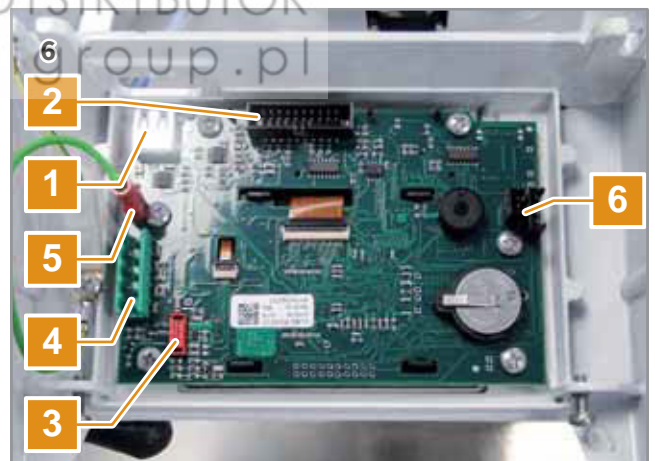
The display board allows to manage the display interface.

To access the display board, it is necessary to remove its cover in the front part of the machine (paragraph 3.2).



6.2.1 DISPLAY BOARD CONNECTIONS

- 1 USB port
- 2 Display board - main board connection
- 3 Optical sensor plug
- 4 Gravimetric sensor plug
- 5 Ground connection
- 6 LEDs connection

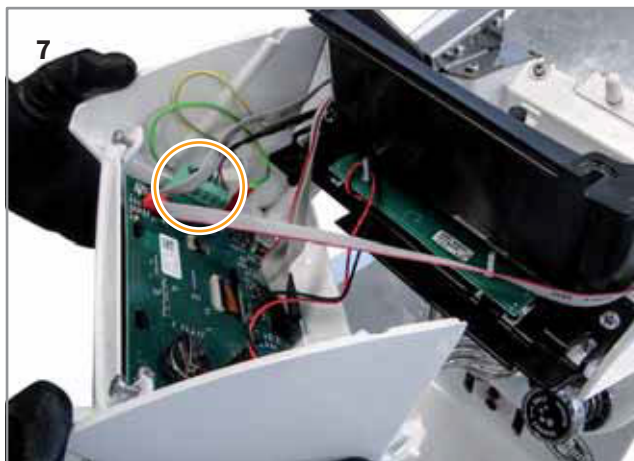


6.2.2 GRAVIMETRIC SENSOR PLUG

The gravimetric sensor allows the correct functioning of the balance for the coffee delivery.

To ensure the correct functioning, check that the sensor is connected to the display board as shows in the picture:

- Black
- White
- Green
- Red



6.3 GRINDER MOTOR TEMPERATURE PROBE

This probe allows to keep the motor's temperature constant.

In the event of overheating, it automatically switches on the cooling fans.

If it's necessary to replace the probe:

- 1 Loosen the screw from the motor.
- 2 Disconnect the black connector from the main board.



6.4 GRINDING CHAMBER TEMPERATURE PROBE

This probe allows to control the temperature of the grinding chamber heating element, which influences the final grinding of the coffee.

If it's necessary to replace the probe:

1 Loosen the screw from the chamber.



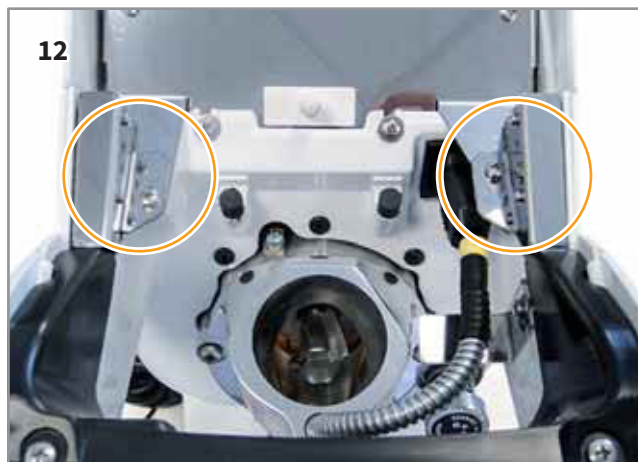
2 Disconnect the red connector from the main board.



6.5 INFRARED SENSORS

The infrared sensors are installed in the upper part of the machine, under the coffee bean container.

Allow to signal the possible missing of coffee inside the container.



In case of malfunctioning check:

- Alignment of the sensors (transmitter - receiver).

- Correct connection to the display board (red connector).

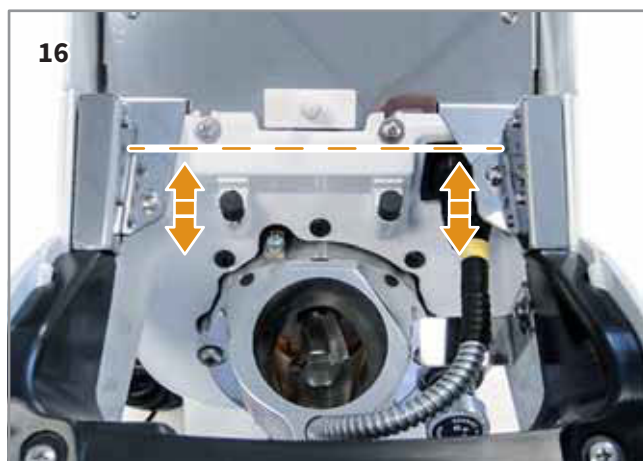
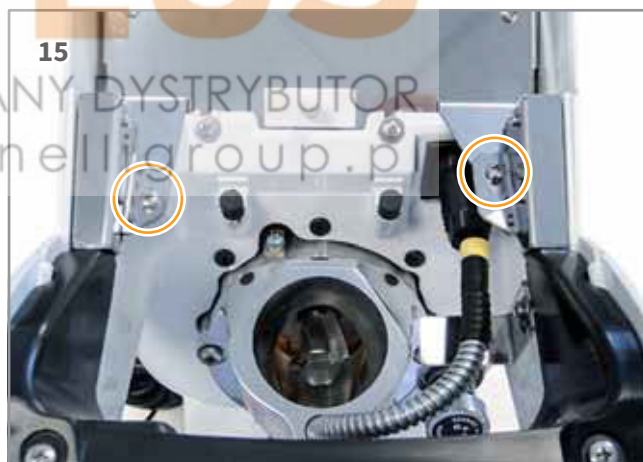
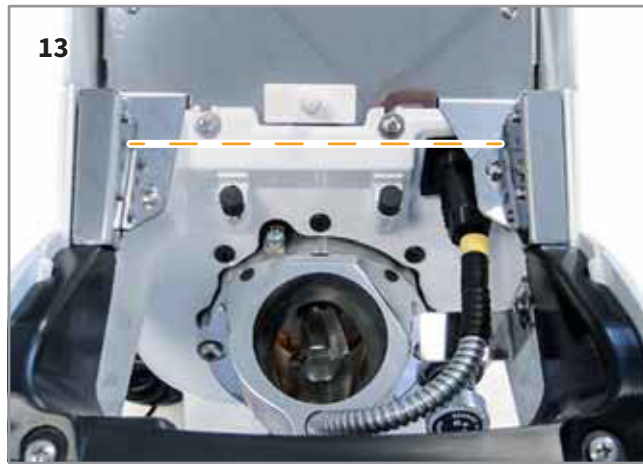
6.5.1 REMOVAL OF THE SENSORS

To remove the infrared sensors, loosen the screws using a Phillips screwdriver.

NOTE

The two sensors are mirrored and must be aligned with each other, therefore pay due attention during the assembly phase.

Use the slots for centering the transmitter and receiver.



6.6 REMOVAL OF THE MAIN SWITCH

The main switch is placed on the front of the machine.
To remove it:

- 1 Lever the higher side of the switch using a flat-head screwdriver.

WARNING

Be careful or cover the screwdriver because you could ruin the paint.

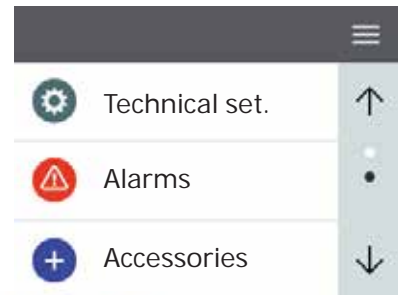
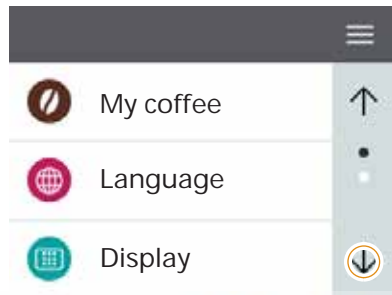
- 2 Then, lever the lower side of the switch as described in the step 1.

- 3 Pull the switch.



IN+PLUS

AUTORYZOWANY DYSTRYBUTOR
www.simonelligroup.pl



INDEX

7. PROGRAMMING	7.1
7.1 HIDDEN MACHINE SETTINGS	7.2
7.2 SOFTWARE UPDATE	7.4

www.simonelligroup.pl

NOTE

For all settings parameters and functions, please refer to the User Manual.

7.1 HIDDEN MACHINE SETTINGS

After install of a new software or have replaced the main board, it is mandatory to check and set a few machine settings under "Technical set" page:

1 Press the Main Menu icon .

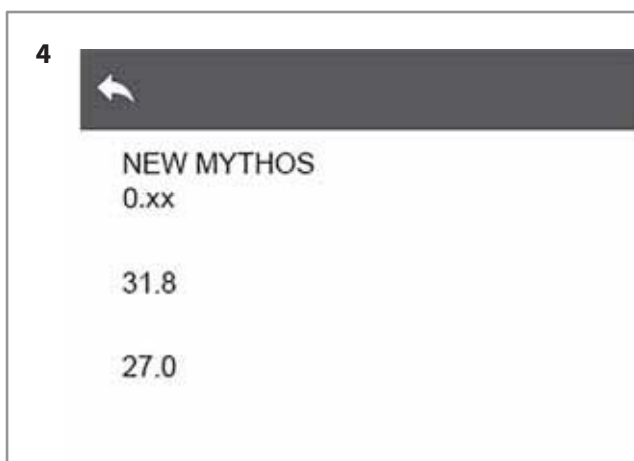
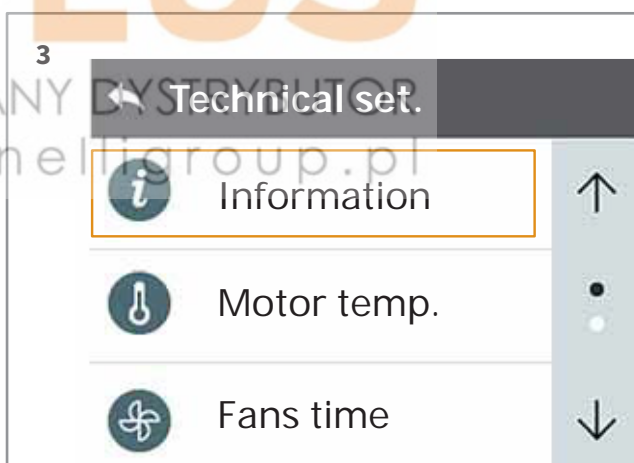
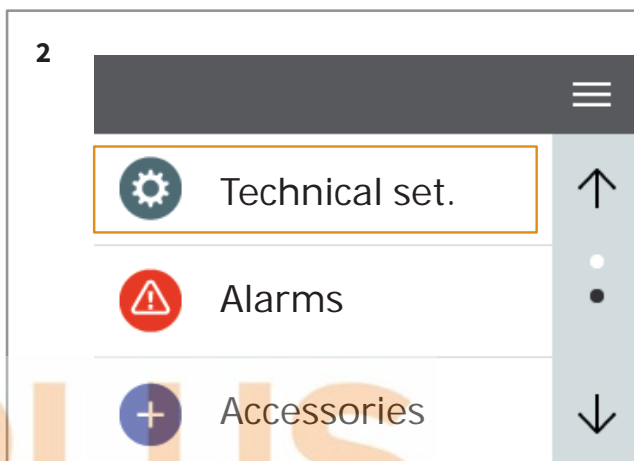
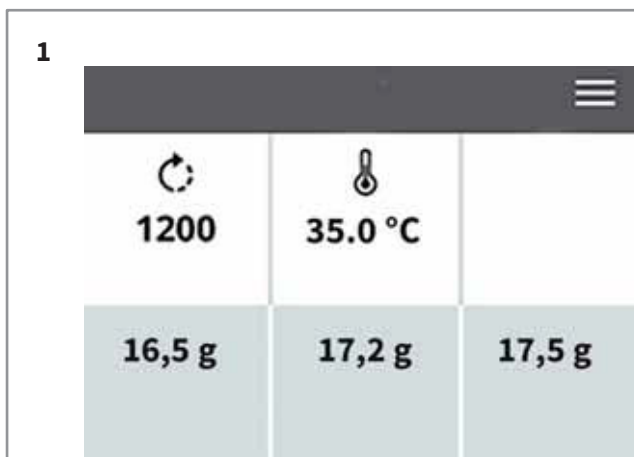
2 Select the Technical set menu.

3 Select the Information Page.

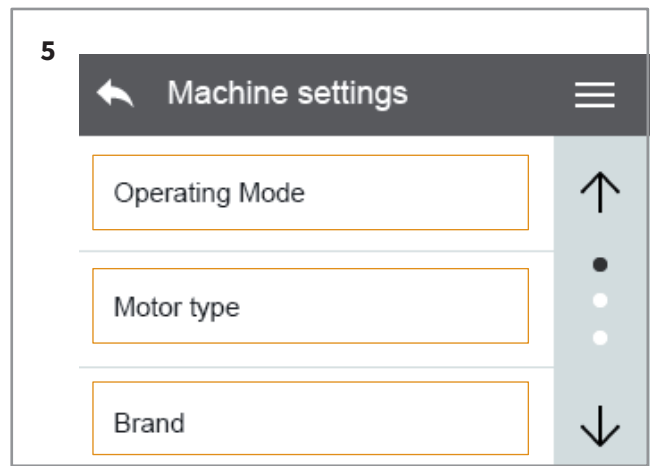
4 Check the informations shown:

- Model
- Firmware version
- Heating element temperature
- Motor temperature

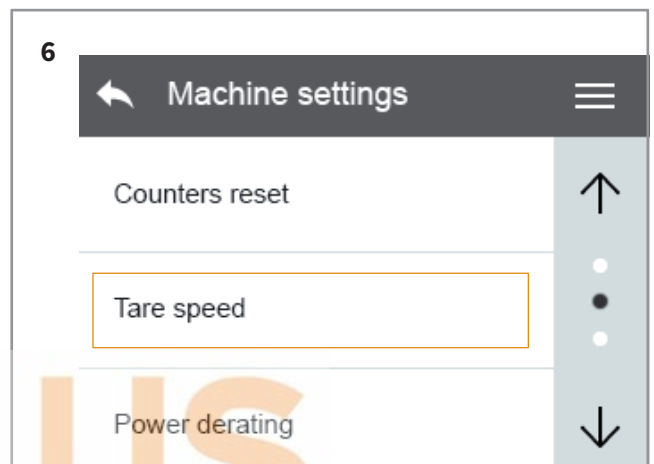
5 Keep pressed the information bar until you enter the machine settings page.



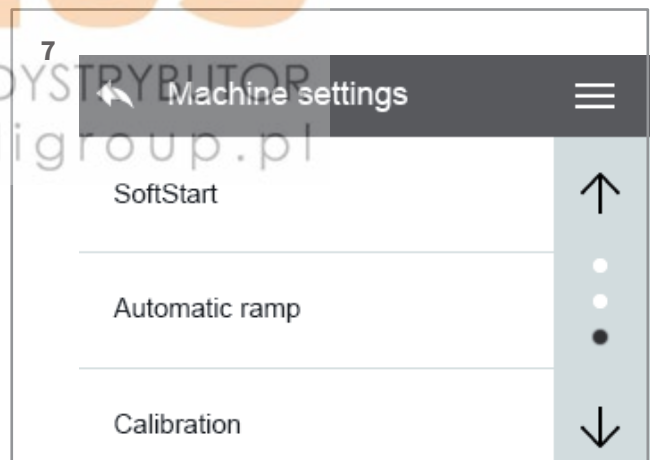
- 6 Press Operating mode.
Select the correct operating mode and go back.
- 7 Press Motor type.
Select the correct motor type and go back.
- 8 Press Brand.
Select the correct brand and go back.




- 9 Press Tare Speed.
Select to enable or disable it and go back.



INPLUS
AUTORYZOWANY DYSTRYBUTOR
www.simonelligroup.pl



- 10 Quit the menu  and if the screen displays "Restart the display", switch OFF and then ON to restart the grinder.

7.2 SOFTWARE UPDATE

To update the software:

- 1 Empty a USB stick.
- 2 Copy the new software file in the USB stick.
- 3 Turn the Mythos 2 OFF.
- 4 Connect the USB stick to Mythos 2.
- 5 Turn the Mythos 2 ON.
- 6 Mythos 2 will upgrade automatically, very quickly.
- 7 As it finishes, turn the Mythos 2 OFF.
- 8 Remove the USB stick.
- 9 Turn the Mythos 2 ON to check.

NOTE

If Mythos 2 has not been upgrade, please try with a different USB stick.

NOTE

After a software upgrade, check the "hidden machine settings" as shown in the previous paragraph.





INDEX

8. ALARMS AND TROUBLESHOOTING	8.1
8.1 WARNING MESSAGES	8.2
8.2 ALARM MESSAGES	8.2
8.3 TROUBLESHOOTING	8.3

NOTE

The alarms and the errors signalled by the display control unit are listed below. Please note that some alarms or error messages are significant only from certain releases on.

NOTE

On the display, the WARNING messages are signalized in yellow, instead the ALARM messages are signalized in red.

8.1 WARNING MESSAGES

DISPLAY	POSSIBLE CAUSE	POSSIBLE SOLUTIONS
Empty bean hopper	<ul style="list-style-type: none"> • Bean hopper is empty or with low level. • Bean hopper level sensors are faulty. 	<ul style="list-style-type: none"> • Add coffee beans. • Check level sensors connection to display. • Replace level sensors.
Filterholder presence	<ul style="list-style-type: none"> • Machine switched ON with filterholder. • Scale is faulty. 	<ul style="list-style-type: none"> • Remove filterholder and turn machine OFF/ON. • Check scale sensor connection to display. • Check scale sensor assembling. • Replace scale sensor.
Machine cleaning	<ul style="list-style-type: none"> • Output chute is obstructed. 	<ul style="list-style-type: none"> • Leave the cleaning to end. • Clean grinding chamber and chute. • Reduce grinding speed. • Enlarge grinding size. • Replace clump crusher. • Turn machine OFF/ON.

8.2 ALARM MESSAGES

DISPLAY	POSSIBLE CAUSE	POSSIBLE SOLUTIONS
Blocked motor inv	<ul style="list-style-type: none"> • Output chute is obstructed. 	<ul style="list-style-type: none"> • Turn machine OFF/ON. • Clean grinding chamber and chute. • Enlarge grinding size. • Replace clump crusher.
Error communication	<ul style="list-style-type: none"> • Communication error with inverter. 	<ul style="list-style-type: none"> • Turn machine OFF/ON. • Check inverter connection to main board. • Check inverter and/or replace it.
Error communication	<ul style="list-style-type: none"> • Inverter is faulty. 	<ul style="list-style-type: none"> • Turn machine OFF/ON. • Check inverter connection to main board. • Check inverter and/or replace it.
Error head probe CC	<ul style="list-style-type: none"> • Head temperature probe with short-circuit. 	<ul style="list-style-type: none"> • Replace probe.
Error head probe NC	<ul style="list-style-type: none"> • Head temperature probe is faulty. • Head temperature probe is not connected properly. 	<ul style="list-style-type: none"> • Check probe connection to main board. • Replace probe.
Error motor probe CC	<ul style="list-style-type: none"> • Head temperature probe with short-circuit. 	<ul style="list-style-type: none"> • Replace probe.
Error motor probe NC	<ul style="list-style-type: none"> • Motor temperature probe is faulty. • Motor temperature probe is not connected properly. 	<ul style="list-style-type: none"> • Check probe connection to main board. • Replace probe.
Error motor temperature	<ul style="list-style-type: none"> • Motor is blocked at low speed. • Output chute is stopped. • Grinder size is too much fine. 	<ul style="list-style-type: none"> • Turn machine OFF/ON. • Clean grinding chamber and chute. • Enlarge grinding size. • Replace clump crusher. • Check motor and/or replace it.

DISPLAY	POSSIBLE CAUSE	POSSIBLE SOLUTIONS
Memory error inverter	<ul style="list-style-type: none"> Inverter memory is faulty. 	<ul style="list-style-type: none"> Turn machine OFF/ON. Check inverter connection to main board. Check inverter and/or replace it.
Over current inv	<ul style="list-style-type: none"> Motor is blocked. Motor initial sprint is too much high. Inverter phase is faulty. 	<ul style="list-style-type: none"> Turn machine OFF/ON. Clean grinding chamber and chute. Reduce grinding speed. Replace clump crusher. Check inverter and/or replace it.
Over temperature inv	<ul style="list-style-type: none"> Ventilation is insufficient. Room temperature is too much high. Inverter sink is obstructed. 	<ul style="list-style-type: none"> Turn machine OFF/ON. Cool the machine. Check fans.
Precharge error inverter	<ul style="list-style-type: none"> Communication error with inverter. 	<ul style="list-style-type: none"> Turn machine OFF/ON. Check inverter connection to main board. Check inverter and/or replace it.

8.3 TROUBLESHOOTING

DESCRIPTION	SOLUTIONS
Can not power on	<ul style="list-style-type: none"> Check bean hopper in correct position. Check incoming power supply. Check main switch and bean hopper safety switch (replace if necessary). Check main board and fuses on the main board (replace if necessary).
Coffee spreading when grinding	<ul style="list-style-type: none"> Minor spread is normal. Check clump crusher. Replace clump crusher.
Cooling fans not stopping in operating	<ul style="list-style-type: none"> Check fans time setting. Check motor temperature setting. Check relay in main board.
Filter holder fork unable hold the filter holder	<ul style="list-style-type: none"> Adjust filter holder cradle level.
Grinder not operating after tare	<ul style="list-style-type: none"> Check the wiring inverter to motor. Replace main board. Replace inverter if necessary. Replace motor if necessary.
Grinding weight different to the external scales	<ul style="list-style-type: none"> Perform scale calibration (menu-accessories-calibration).
Grinding weight is less or overdosing	<ul style="list-style-type: none"> If within tolerance of (+/- 0.5g) on every grind it is not a fault. Check and/or adjust "ramp start" and/or "comp my coffee".
Machine not rating	<ul style="list-style-type: none"> Check if any coffee block the scale to move. Check scale sensor connection to display. Check scale sensor assembling. Replace display if necessary.
Tare time too long	<ul style="list-style-type: none"> It is normal within tolerance 10 seconds. Increase tare precision value.
Touch screen not functioning	<ul style="list-style-type: none"> Turn machine OFF/ON. Replace display board if necessary.

DESCRIPTION	SOLUTIONS
Vibration vigorous	<ul style="list-style-type: none"> • Check machine feet and table level. • Replace machine feet if necessary. • Check motor vibration damper. • Replace motor vibration damper if necessary.
When grinder doesn't achieve doses set and stop grinding	<ul style="list-style-type: none"> • It may occur when during the grinding stage someone accidentally touches the filter holder. • Turn machine OFF/ON.
When machine achieve dose set and will not stop grinding	<ul style="list-style-type: none"> • Touch the dose selection on the display to stop grinding it may occurs due to interruption during machine grinding. • Turn machine OFF/ON.

IN PLUS
 AUTORYZOWANY DYSTRYBUTOR
www.simonelligroup.pl



INDEX

9. MAINTENANCE CHECKING	9.1
9.1 MAINTENANCE EVERY 50000 CYCLES OR 6 MONTHS	9.2
9.2 MAINTENANCE EVERY 100000 CYCLES	9.3

www.simonelligroup.pl

9.1 MAINTENANCE EVERY 50000 CYCLES OR 6 MONTHS

Required time 10 minutes.

The skilled technician should take all the necessary precautions relating to safety measures to insulate the machine from the mains. Inform the manager responsible about timing and the need to operate on the electric systems of the premises before proceeding to avoid interruptions and complete all procedures easily without further requests. Before proceeding, remove all perimeter coverings and make sure there are no damages or leakages.

- Check for any damaged wires or cabling.
- Check for noisy motor.
- Check for cracks on beans hopper.
- Check ON/OFF switch.
- Check LCD display.
- Replace the clump crusher.
Bend the flaps and be sure they are really will opened with an angle of approximately 30 degrees.
- Check for wear on product button selection.

IN+PLUS
AUTORYZOWANY DYSTRYBUTOR
www.simonelligroup.pl

9.2 MAINTENANCE EVERY 100000 CYCLES

Required time 45 minutes.

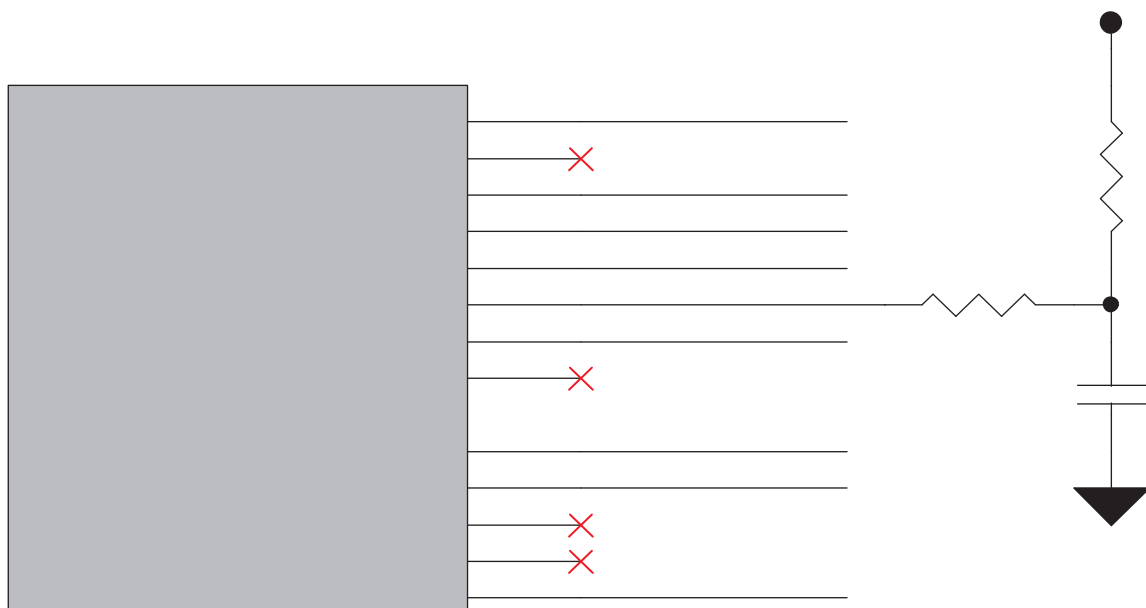
The skilled technician should take all the necessary precautions relating to safety measures to insulate the machine from the mains. Inform the manager responsible about timing and the need to operate on the electric systems of the premises before proceeding to avoid interruptions and complete all procedures easily without further requests. Before proceeding, remove all perimeter coverings and make sure there are no damages or leakages.

- Check for any damaged wires or cabling.
- Check for noisy motor.
- Check for cracks on beans hopper.
- Replace grinder blades.
- Replace the clump crusher. Bend the flaps and be sure they are really well opened with an angle of approximately 30 degrees.
- Check for wear on product button selection.
- Check ON/OFF switch.
- Check LCD display.

IN+PLUS
AUTORYZOWANY DYSTRYBUTOR
www.simonelligroup.pl

IN+PLUS
AUTORYZOWANY DYSTRYBUTOR
www.simonelligroup.pl

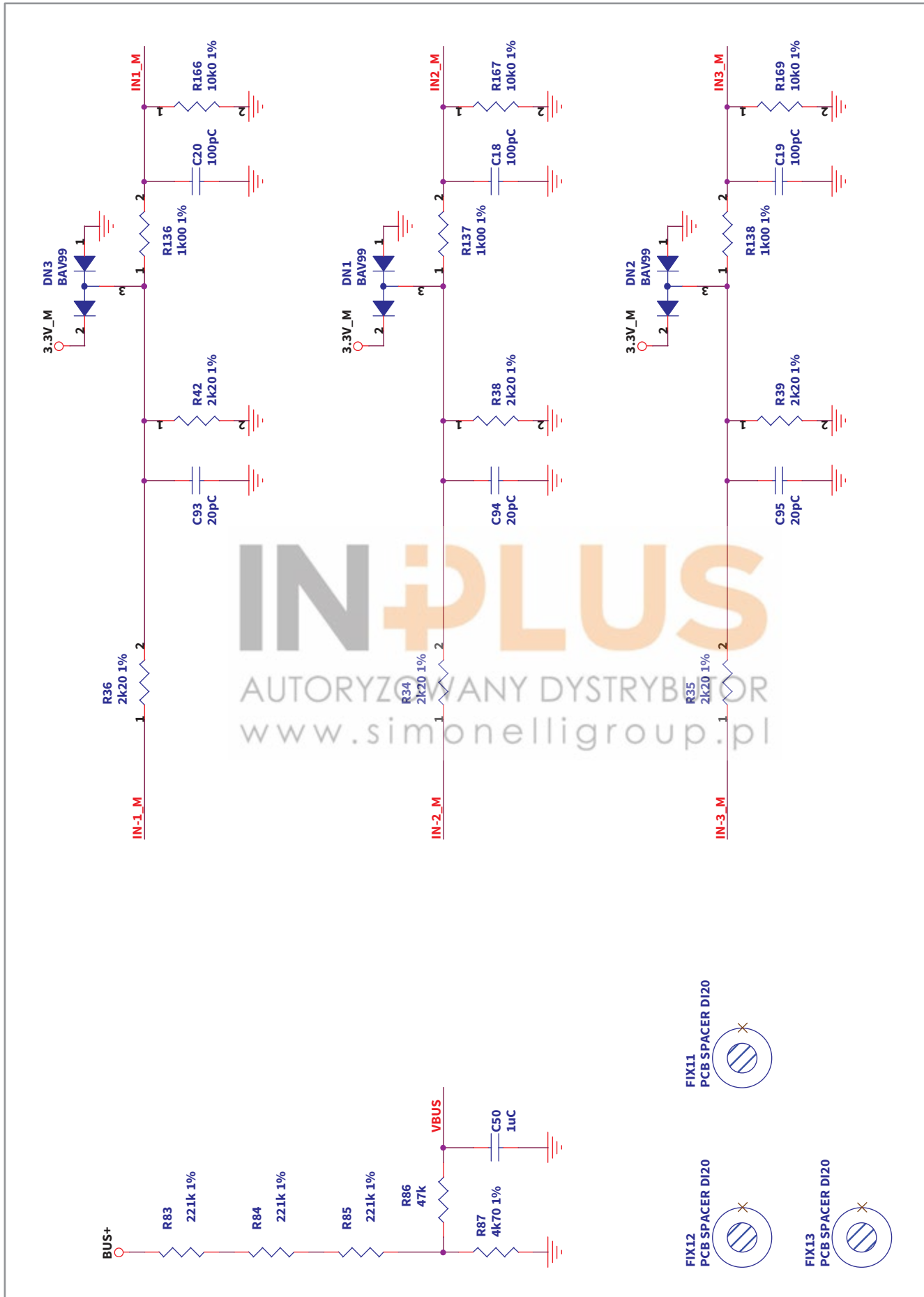
10 DIAGRAM



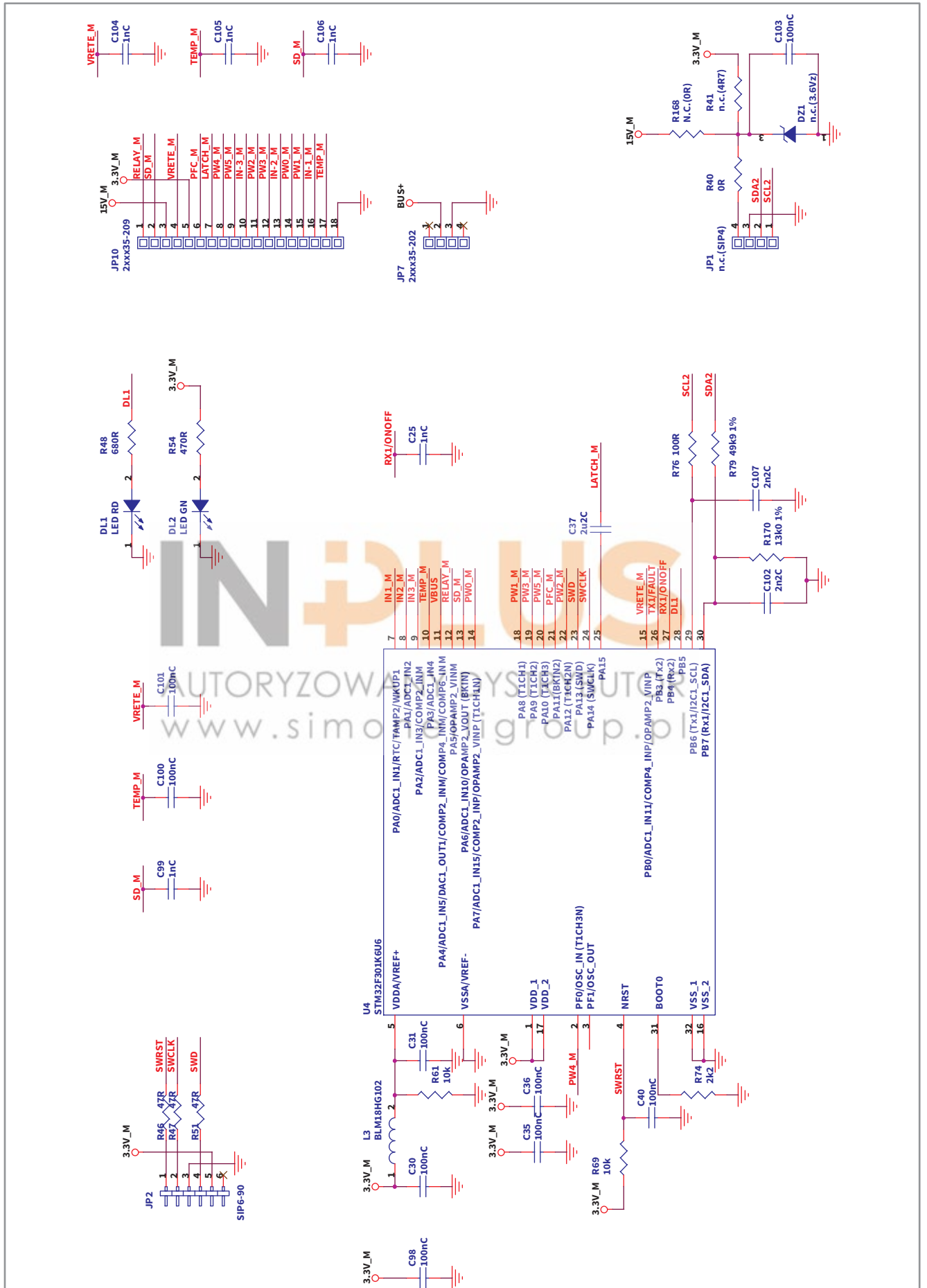
INDEX

10. DIAGRAM	10.1	10
10.1 ELECTRICAL DIAGRAM INVERTER CURRENTS	10.2	
10.2 ELECTRICAL DIAGRAM INVERTER CONTROL MICROSWITCH	10.3	
10.3 ELECTRICAL DIAGRAM INVERTER INPUT/OUTPUT	10.4	
10.4 ELECTRICAL DIAGRAM INVERTER INSULATED	10.5	
10.5 ELECTRICAL DIAGRAM INVERTER POWER	10.6	
10.6 ELECTRICAL DIAGRAM INVERTER WITH VINCOTECH MODULE	10.7	
10.7 ELECTRICAL DIAGRAM INVERTER PROTECTION LATCH	10.8	

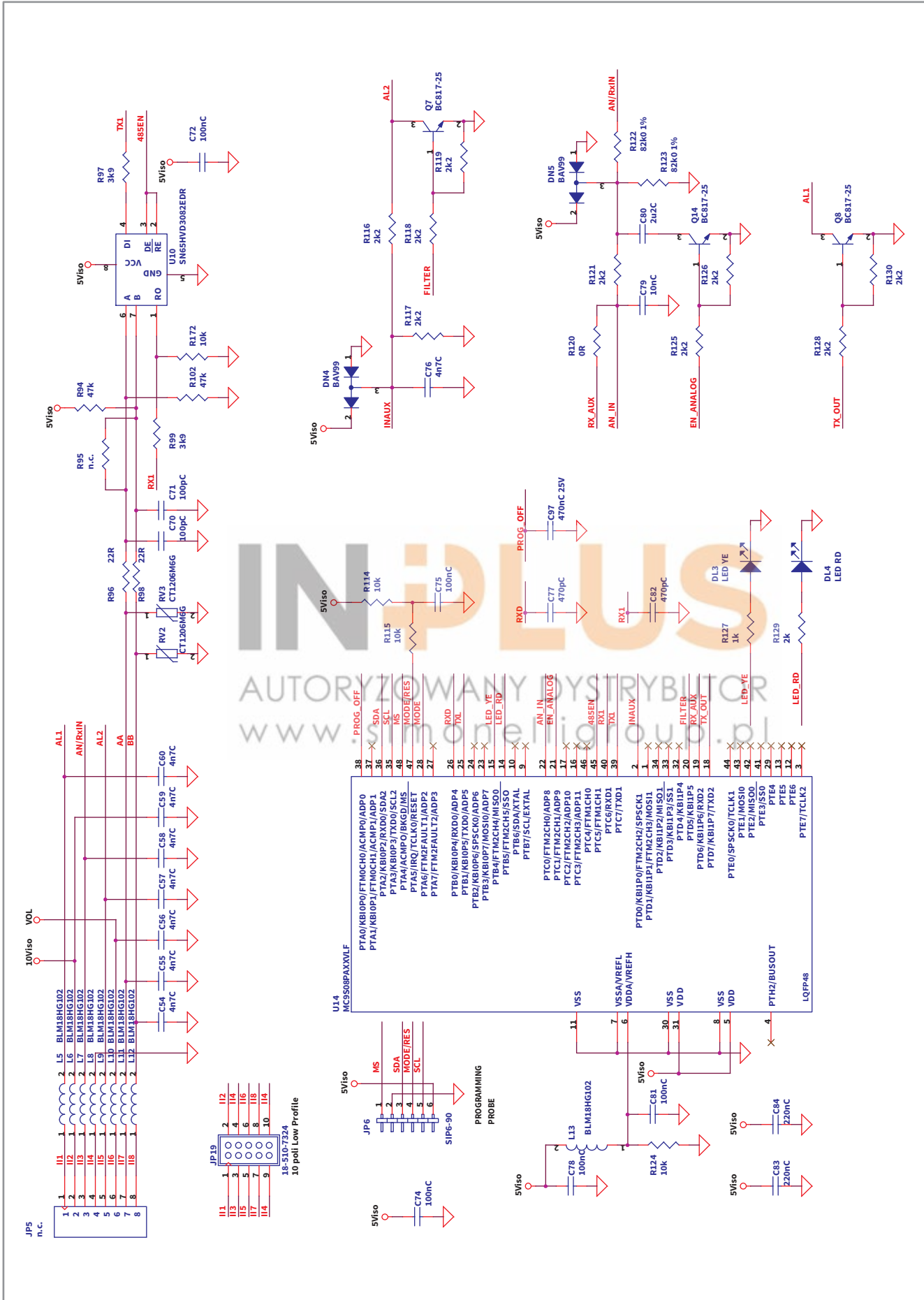
10.1 ELECTRICAL DIAGRAM INVERTER CURRENTS



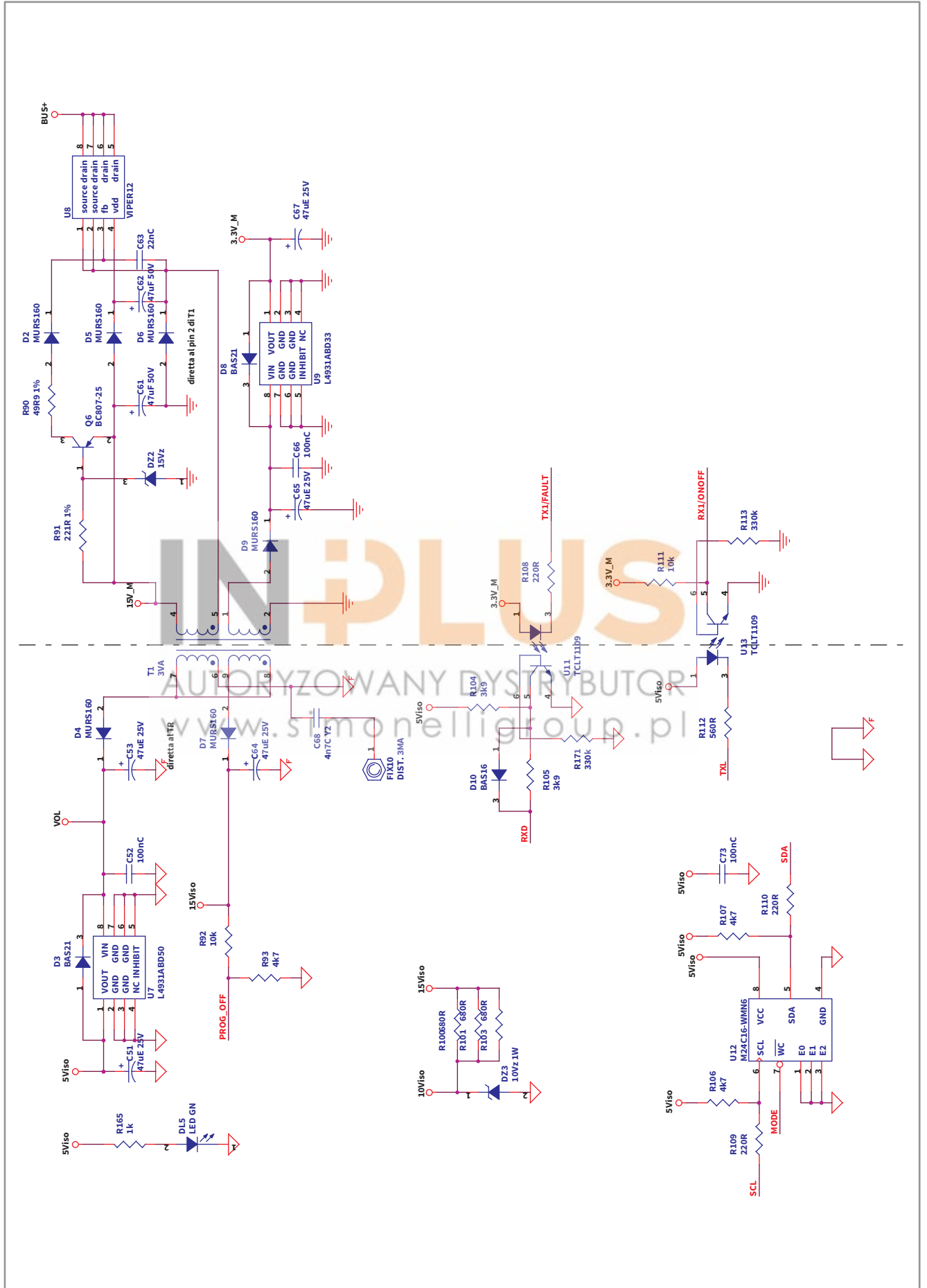
10.2 ELECTRICAL DIAGRAM INVERTER CONTROL MICROSWITCH



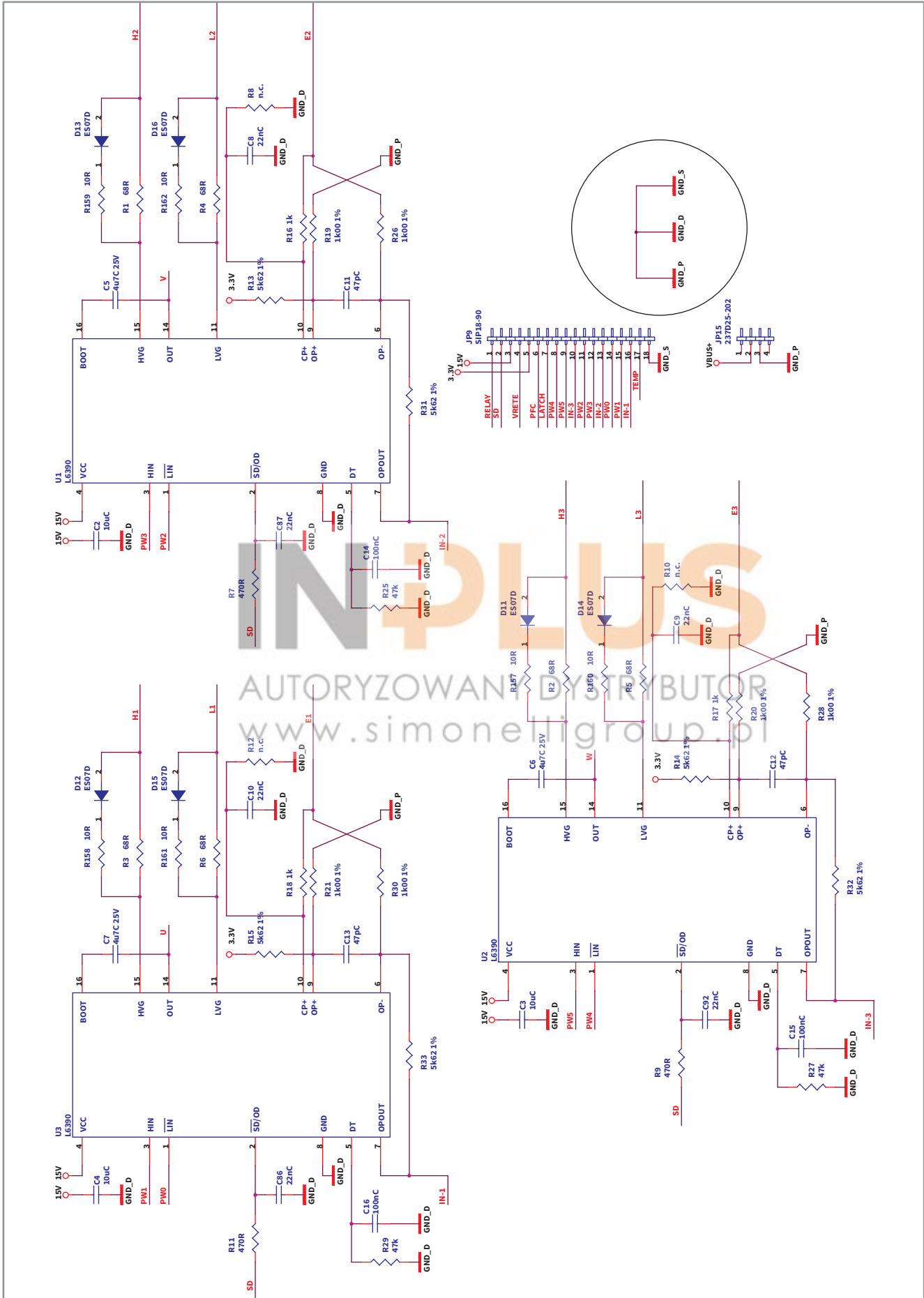
10.3 ELECTRICAL DIAGRAM INVERTER INPUT/OUTPUT



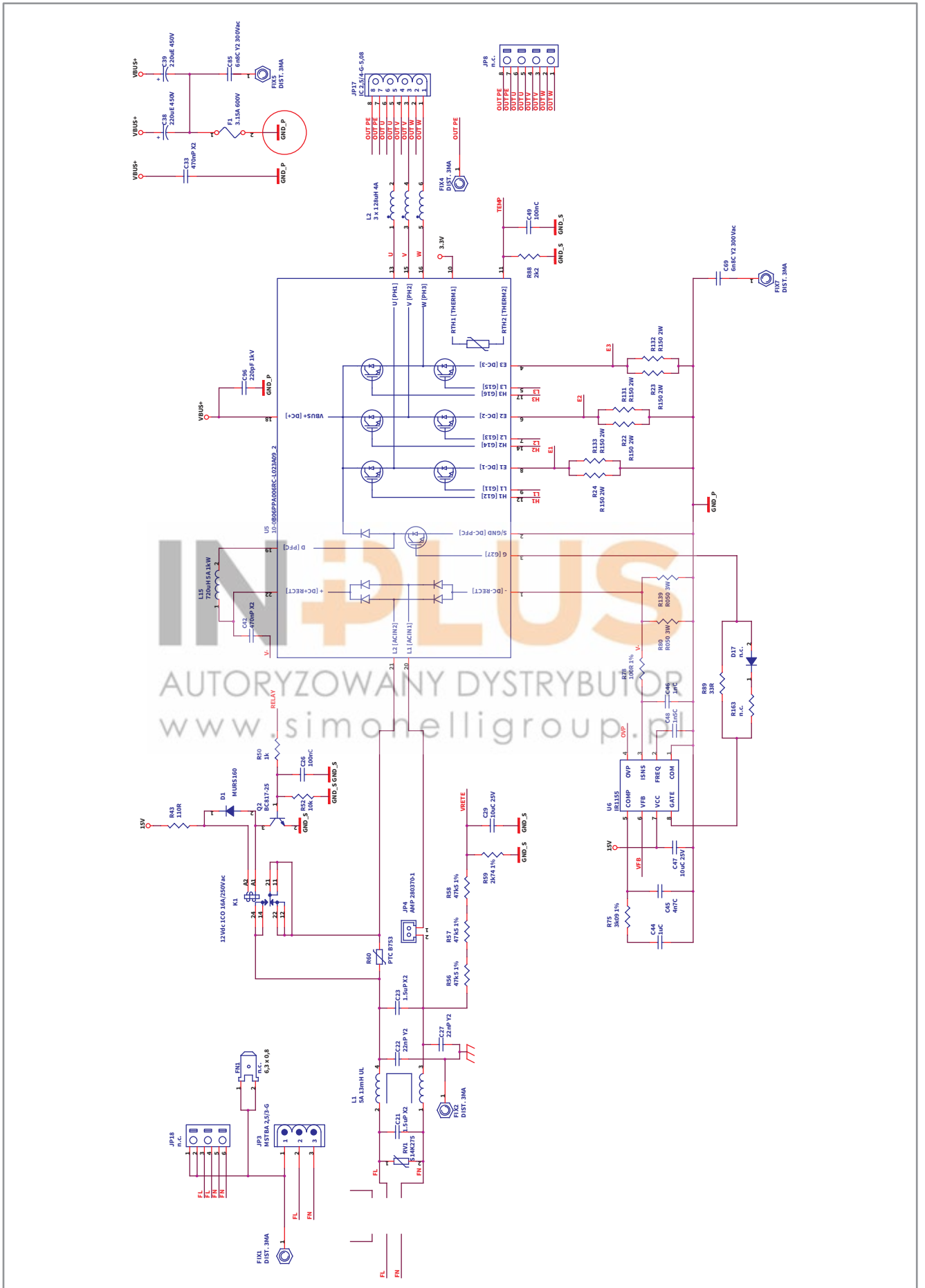
10.4 ELECTRICAL DIAGRAM INVERTER INSULATED



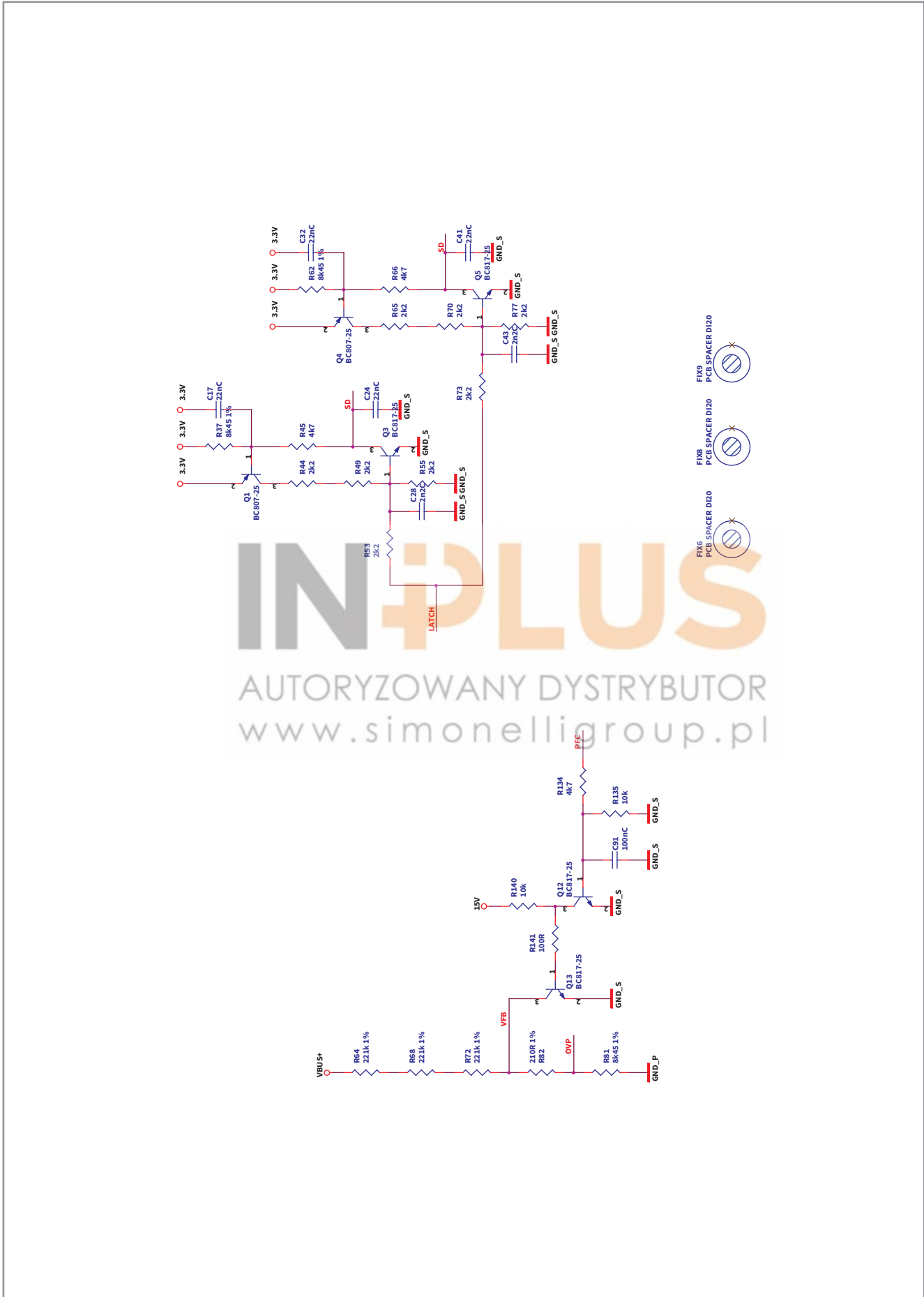
10.5 ELECTRICAL DIAGRAM INVERTER POWER



10.6 ELECTRICAL DIAGRAM INVERTER WITH VINCOTECH MODULE



10.7 ELECTRICAL DIAGRAM INVERTER PROTECTION LATCH





NOTE

Update to 12/2019.

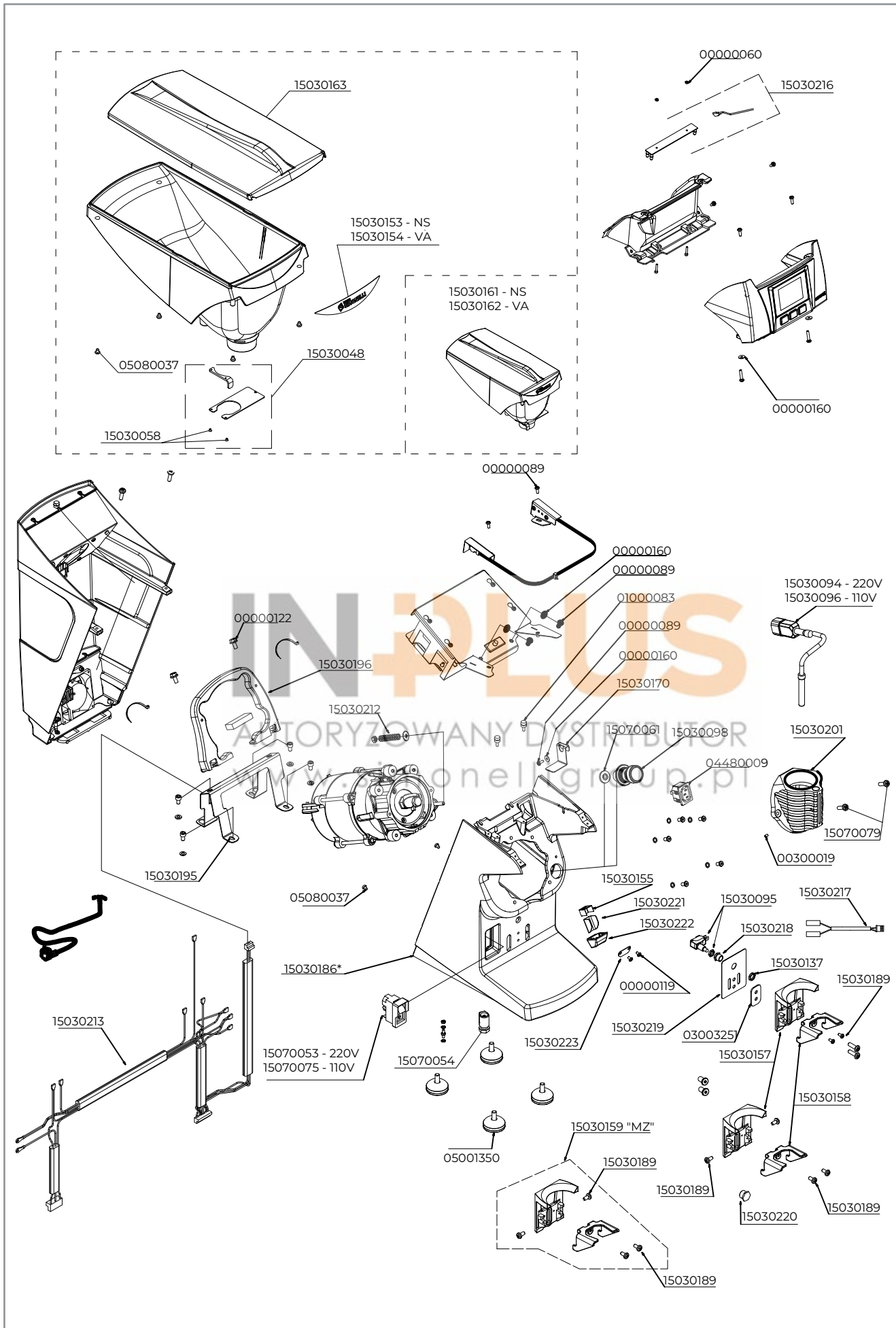
AUTORYZOWANY DYSTRYBUTOR

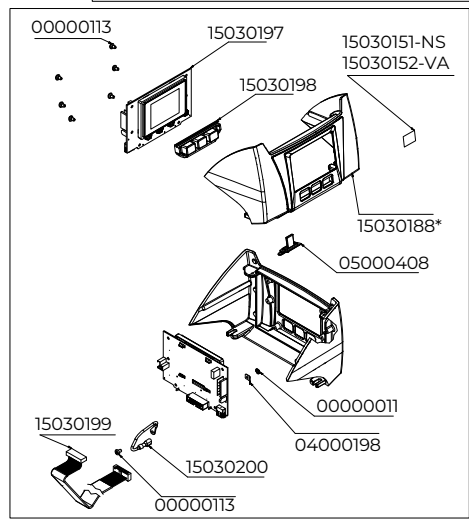
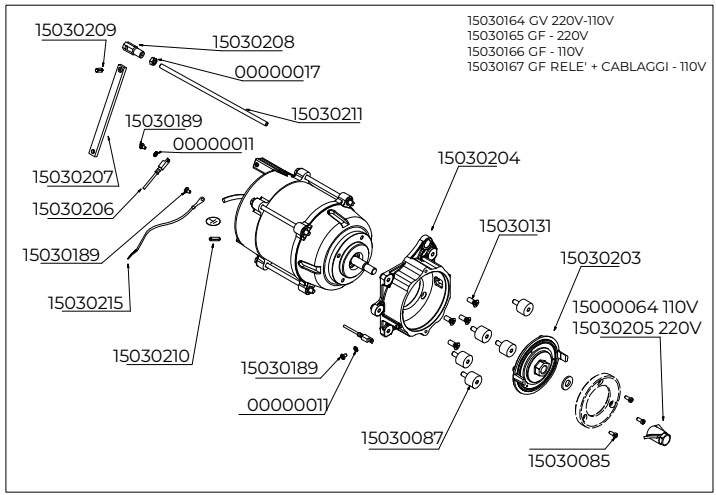
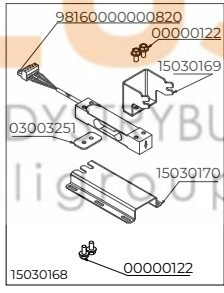
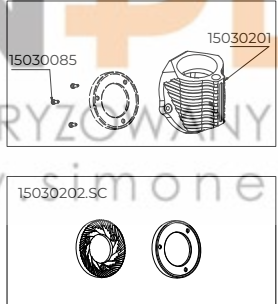
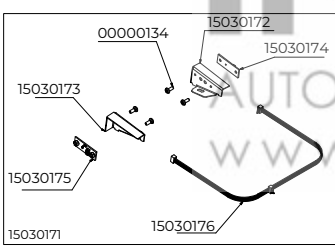
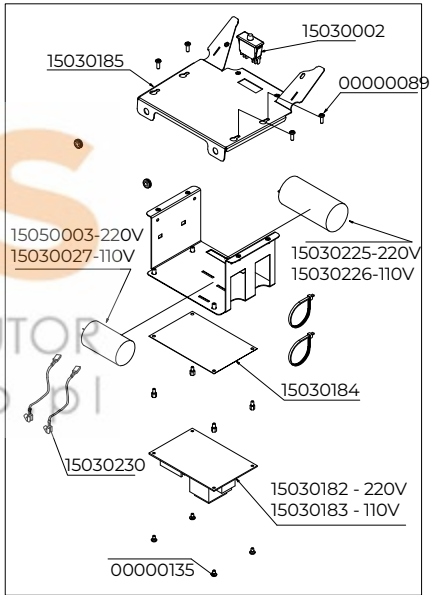
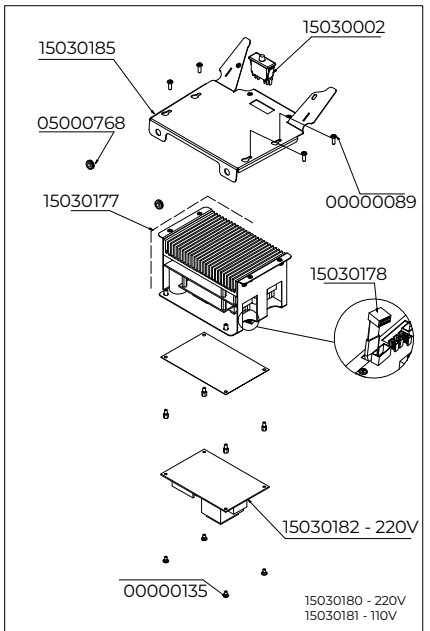
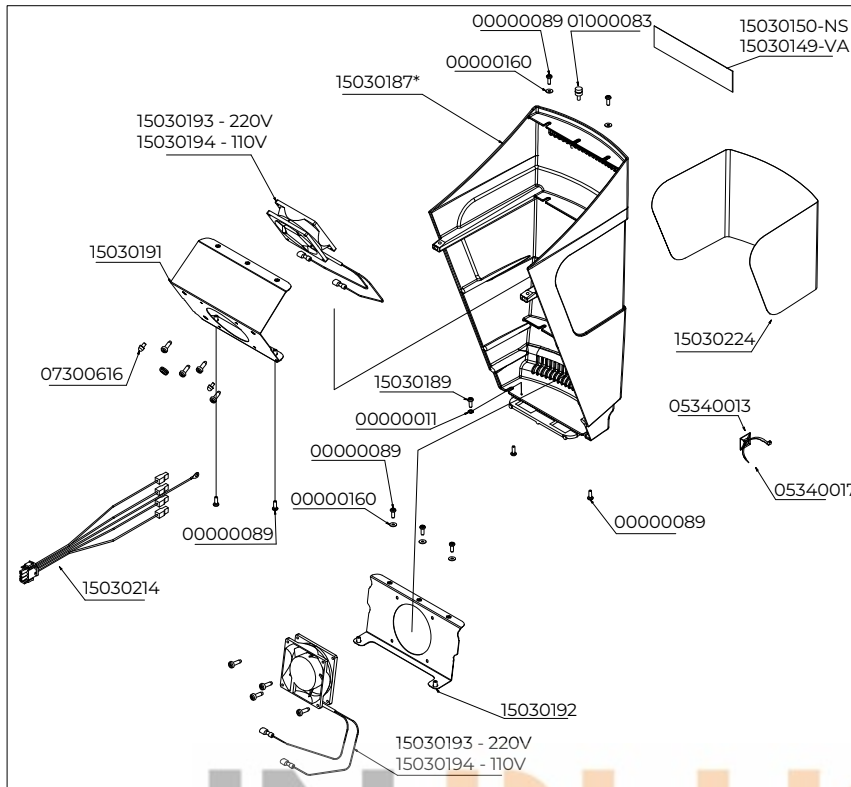
www.simonelligroup.pl

NOTE

CODES IN BOLD ARE REFERRED TO COMPONENTS CURRENTLY IN USE.
CODES IN ITALIC WITH VALIDITY END DATE ARE REFERRED TO PREVIOUSLY USED COMPONENTS.

CODES WITH (*) NEED TO SPECIFY THE COLOURS OF THE COMPONENT.





COD.	DESCRIPTION	DESCRIZIONE	END VALIDITY
00000011	STAINLESS STEEL KNURLED WASHER D4	RONDELLA INOX M4 ZIGRINATA UNI 8842/A	
00000017	ZINC COATED NUT AQ M6 HIGH	DADO AQ M6 ALTO ZINC. h6 5587	
00000060	M3 MEDIUM GALVANISED NUT	DADO AQ M3 MEDIO ZINCATO	
00000089	SS CROSSHEAD CAP SCREW M4x12	VITE INOX M4x12 TC TCR DIN7985	
00000113	SS CROSSHEAD CAP SCREW M4x6	VITE INOX M4x6 TC T.CR.7985	
00000119	SS CROSS HEAD COUNTERSUNK SCREW M4x6	VITE INOX M4x6 TSPTCR ISO 7046	
00000122	GALV. FLANGED KNURLED HEX CAP SCREW 8.8 M6x12	VITE AQ 8.8 M6x12 TE FLANG.ZIGR. ZINC. BIANCO	
00000134	SCREW AQ M3x6 TC TC ZINC. UNI 6107	VITE AQ M3x6 TC TC ZINC.UNI6107	
00000135	GALV. SLOTTED CAP SELF-TAPPIN SCREW 2,9x15	VITE AUTOF 2,9x15 TCTC ZIN.	
00000160	STAINLESS WASHER D4x12	RONDELLA INOX D4x12x1 UNI 6593	
00300019	STAINLESS STEEL DOWEL M4X8 5923	GRANO INOX M4x6 UNI 5923 PP	
01000083	ANTI-VIBRATING DD 10X10 M4	ANTIVIBRANTE DD 10x10 M4	
03003251	WEIGHT SCALE SHEET METAL SUPPORT	LAMIERA SPESSORE SUPPORTO BILANCIA	
04000198	FOIL HOLDER M 6.3 D 4.2 45°	PRESA LAMELLARE M 6.3 d4.2 45°	
04480009	PLUG IEC F	PRESA IEC DA INCASSO 3 POLI FASTON 6,3 10A FEMMINA	
05000408	USB COVER VA 388	CHIUSURA PORTA USB	
05000768	D13.5x6.6x1.5 BLACK PVC CABLE DUCT	PASSAC. PVC NERO D13.5x6.6x1.5	
05001350	MACHINE FOOT MASTER	PIEDE MACCHINA D.40 H=18+GOMM. INSERTO M8 MASCHIO	
05080037	MOTOR FOOT MASTER	PIEDINO GOMMA DURA TONDO 9x5xh9	
05340013	SMALL BASE 19x19 FOR BAND WITH SCREW HOLE M4	BASETTA 19x19 PER FASCETTA CON FORO PER VITE M4	
05340017	BLACK WIRE CLAMP 135x2,6	FASCET. SERRAFILI 135x2,6 NERO	
07300616	CASE M4 PIN	PERNO CARENA M4	
15000064	NUT STOPS GRINDER HOLDER	DADO FERMA PORTAMACINE	
15030002	SAFETY MICROSWITCH MYTHOS	MICROSW SICUREZZA	
15030027	60 µF CAPACITOR	CONDENSATORE 60 mF UL	
15030048	COMPLETE GUILLOTINE MYTHOS	GHIGLIOTTINA COMPLETA	
15030058	SS SCREW M3X6	VITE INOX M3x5 TSP TCR	
15030085	GRINDER ASSEMBLY SCREW M4X10	VITE INOX M4x10 TCT(-) TESTA TAGLIO FISS. MACINE	
15030087	VIBRATION DAMPER 20x15 M6 M/F	ANTIVIBRANTE D20xH15xL16 M6 M/F	
15030094	MYTHOS ONE CARTRIDGE HEAT. ELEMENT 220V	RESISTENZA + PRESA 220V	
15030095	MYTHOS ONE MICROSWITCH	MICROSW ATTIV. MACIN.	
15030096	MYTHOS ONE CARTRIDGE HEAT. ELEMENT 110V	RESISTENZA + PRESA 110V	
15030098	MYTHOS ONE GRINDER REGISTER HANDLE	POMELLO REGISTRO MACIN.	
15030131	SS SCREW M6X16	VITE INOX M6x16 TSP T.CR.	
15030137	MICRO ACTIVATOR GUIDE NUT	DADO X DADO GUIDA MICRO ATTIV. MACIN.	
15030149	"VICTORIA ARDUINO" LABEL	ETICHETTA "VICTORIA ARDUINO"	
15030150	"NUOVA SIMONELLI" LABEL	ETICHETTA "NUOVA SIMONELLI"MYTHOS 2 E109-NS	
15030151	"N.S. MYTHOS 2" LABEL	ETICHETTA LOGO MYTHOS 2 N.S. E110-NS	
15030152	"V.A. MYTHOS 2" LABEL	ETICHETTA LOGO MYTHOS 2 V.A. E110-VA	
15030153	"NUOVA SIMONELLI" COFFEE BELL LABEL	ETICHETTA FRONTALE CAMPANA "NUOVA SIMONELLI"	
15030154	"VICTORIA ARDUINO" COFFEE BELL LABEL	ETICHETTA FRONTALE CAMPANA "VICTORIA ARDUINO"	
15030155	CLUMP CRUSHER SHEET	FRANGIA CLUMP CRUSHER 0,25	
15030157	MYTHOS 2 FORK	FORCELLA MYTHOS 2	
15030158	FILTERHOLDER SUPPORT BRACKET	STAFFA REGGI PORTAF. REGOL.	
15030159	"MZ" FILTERHOLDER FORK GROUP	GRUPPO FORCELLA MYTHOS 2 PER PORTAFILTRO "MZ"	
15030161	COMPLETE BELL "N.S."	CAMPANA COMPLETA "N.S."	
15030162	COMPLETE BELL "V.A."	CAMPANA COMPLETA "V.A."	
15030163	COFFEE BELL COVER	COPERCHIO CAMPANA	
15030164	COMPLETE ENGINE VARIABLE SPEED	MOTORE COMPLETO MYTHOS 2 GIRI VARIABILI	
15030165	COMPLETE ENGINE FIXED SPEED 220V	MOTORE COMPLETO MYTHOS 2 GIRI FISSI 220V	
15030166	COMPLETE ENGINE FIXED SPEED 110V	MOTORE COMPLETO MYTHOS 2 GIRI FISSI 110V	
15030167	RELAY KIT FOR ENGINE FIXED SPEED 110V	KIT RELE' MYTHOS 2 PER MOTORE GIRI FISSI 110V	
15030168	SCALE GROUP	GRUPPO BILANCIA	
15030169	WEIGHT SCALE FILTERHOLDER SUPPORT	SUPP. PORTAF. BILAN.	
15030170	WEIGHT SCALE SUPPORT	SUPP. BILANCIA	
15030171	COFFEE PRESENCE SENSORS GROUP	GRUPPO SENSORI PRESENZA CAFFE'	
15030172	RIGHT GRAIN SENSOR SUPPORT SHEET	LAMIERA SUPP. SENSORI GRANO DX -TX	
15030173	LEFT GRAIN SENSOR SUPPORT SHEET	LAMIERA SUPP. SENSORI GRANO SX -RX	
15030174	RIGHT TX GRAIN LEVEL SENSOR	SENSORE TX PER LIVELLO GRANO (LATO DX)	
15030175	LEFT RX GRAIN LEVEL SENSOR	SENSORE RX PER LIVELLO GRANO (LATO SX)	
15030176	SENSORS CABLE	CAVO COLL. SENSORI PRESENZA CAFFE' CAV43	
15030177	INVERTER IC 400	ASSIEME INVERTER IC 400 (110V- 220V)	
15030178	INVERTER CABLE	CAVETTO INVERTER CAV40	
15030180	MAIN GROUP VARIABLE SPEED 220V	GRUPPO CENTR. GIRI V. 220V	
15030181	MAIN GROUP VARIABLE SPEED 110V	GRUPPO CENTR. GIRI V. 110V	
15030182	220V POWER SUPPLY	ALIMENTATORE 220V	
15030183	110V POWER SUPPLY	ALIMENTATORE 110V	
15030184	CONTROL UNIT PROTECTIVE SHEET	PROTEZIONE SCHEDA	
15030185	UNDER-COFFEE BELL PROTECTION SHEET	PROTEZ. SOTTOCAMPANA	
15030186.B	MYTHOS 2 BASE WHITE	BASAMENTO MYTHOS 2 BIANCO	
15030186.NO	MYTHOS 2 BASE BLACK	BASAMENTO MYTHOS 2 NERO OPACO	
15030187.B	MYTHOS 2 BACK COVER WHITE	CORPO POSTER. MYTHOS 2 BIANCO	
15030187.NO	MYTHOS 2 BACK COVER BLACK	CORPO POSTER. MYTHOS 2 NERO OPACO	
15030188.B	MYTHOS 2 FRONT COVER WHITE	PANNELLO FRONT. BIANCO	
15030188.NO	MYTHOS 2 FRONT COVER BLACK	PANNELLO FRONT. NERO	

COD.	DESCRIPTION	DESCRIZIONE	END VALIDITY
15030189	SS CROSSHEAD CAP SCREW M4x8	VITE INOX M4x8 TC T.CR	
15030191	MYTHOS 2 HIGHER FAN SUPPORT	SUPP. VENTOLA SUP.	
15030192	MYTHOS 2 LOWER FAN SUPPORT	SUPP. VENTOLA INF.	
15030193	MYTHOS 2 230V POWERED FAN	VENTOLA 230V MYTHOS 2 CABLATA	
15030194	MYTHOS 2 110V POWERED FAN	VENTOLA 110V MYTHOS 2 CABLATA	
15030195	MYTHOS 2 MOTOR SUPPORT BRACKET	STAFFA SUPP. MOTORE	
15030196	MYTHOS 2 HIGHER MOTOR SUPPORT	VERTEBRA MOTORE	
15030197	MYTHOS 2 DISPLAY TFT	SCHEDA DISPLAY TFT	
15030198	MYTHOS 2 3 KEYS KEYBOARD	TASTIERA SILICONICA 3 TASTI	
15030199	MYTHOS 2 20 WAYS FLAT CABLE	CAVO FLAT 20 VIE	
15030200	MYTHOS 2 GROUND CABLE	CABLAGGIO TERRA X FRONTALE	
15030201	MYTHOS 2 HIGHER GRINDERHOLDER	PORTAMACINA SUP.	
15030202.SC	D 85 LONG LIFE GRINDERS	COPPIA MACINE D.85 LONG LIFE + SCATOLA	
15030203	MYTHOS 2 LOWER GRINDERHOLDER	PORTAMACINA INF. MYTHOS 2	
15030204	MYTHOS 2 GRINDING CHAMBER	CAMERA DI MACINATURA MYTHOS 2	
15030205	MYTHOS 2 GRINDERHOLDER SCREW	CHIOCCIOLA FERMA PORTAMACINE MYHTOS 2	
15030206	MYTHOS 2 TEMPERATURE SENSOR	SONDA TEMPERATURA MYTHOS 2	
15030207	CALIBRATION ROD	ASTA REGISTRO MYTHOS LOW	
15030208	MYTHOS 2 FORK CALIBRATOR MDL/C-MCD	FORCELLA REGISTRO MDL/C- MCD - MYTHOS 2	
15030209	SPRING PIN 5x12	SPINA ELASTICA 5x12	
15030210	SPRING PIN 5x20	SPINA ELASTICA 5x20	
15030211	CALIBRATION TIE ROD MCD	TIRANTE REG. MCD - MYTHOS LOW	
15030212	SHORT CALIBRATION TIE ROD SPRING	MOLLA TIRANTE REG. MACINATURA CORTA	
15030213	MYTHOS 2 MAIN CABLE	CABLAGGIO GENERALE MYTHOS 2	
15030214	MYTHOS 2 FAN + GROUND CABLE	CAVO COLL. VENTOLE + TERRA MYTHOS 2	
15030215	4,2 EYELET GROUND CABLE 30 cm	CAVO OCCHIELLO 4.2 30cm TERRA	
15030216	LED + CABLE	MODULO LED MYTHOS 2 + CAVETTO	
15030217	MYTHOS 2 MICROSWITCH CONNECTION CABLE	CAVO COLL. MICRO ATTIV. MACIN. MYTHOS 2	
15030218	MYTHOS 2 MICROSWITCH DRIVING NUT	DADO GUIDA MICRO ATTIV. MACIN. MYTHOS 2	
15030219	MYTHOS 2 WEIGHT SCALE HOLES COVER	CHIUSURA FORI BILANCIA MYTHOS 2	
15030220	MYTHOS 2 MICROSWITCH COVER NUT	DADO TAPPO MICRO MYTHOS 2	
15030221	MYTHOS 2 GRINDED COFFEE CHANNEL	CANALETTO USCITA CAFFE' MYTHOS 2	
15030222	MYTHOS 2 GRINDED COFFEE CHANNEL COVER	COPERCHIO CANALETTO USCITA CAFFE' MYTHOS 2	
15030223	MYTHOS 2 CLUMP CRUSHER CLIP	FERMAGLIO CLUMP CRUSHER MYTHOS 2	
15030224	MYTHOS 2 BACK LABEL	ETICHETTA POSTERIORE MYTHOS 2	
15030225	MYTHOS 2 PILOT - 220V	PILOT PER MYTHOS 2 - 220V	
15030226	MYTHOS 2 PILOT - 110V	PILOT PER MYTHOS 2 - 110V	
15030230	CONNECTING CABLE PILOT	CAVO COLL. PILOT	
15050003	20 µF CAPACITOR	CONDENSATORE 20 µF	
15070053	SWITCH	INTERUTTORE 220V MDJ-MDXS-M2	
15070054	CABLE BLOCK	FERMACAVO DA PANNELLO MM.13	
15070061	CENTERING BUSHING	BOCCOLA CENTRAGGIO ASTA x MDJ TEFLON	
15070075	110V SWITCH	INTERUTTORE 110V	
15070079	SCREW AQ M6x16 TC T.CR.	VITE AQ M6x16 TC T.CR. ZINC	
98160000000820	SCALE SENSOR + CONNECTIONS VA388	ASSIEME CELLA DI CARICO + CONNETTORE	

IN+PLUS

AUTORYZOWANY DYSTRYBUTOR
www.simonelligroup.pl

IN+PLUS

AUTORYZOWANY DYSTRYBUTOR
www.simonelligroup.pl

IN+PLUS

AUTORYZOWANY DYSTRYBUTOR
www.simonelligroup.pl

IN+PLUS

AUTORYZOWANY DYSTRYBUTOR
www.simonelligroup.pl

IN+PLUS

AUTORYZOWANY DYSTRYBUTOR
www.simonelligroup.pl

Victoria Arduino

A stylized graphic element consisting of a thick, black, downward-pointing arrow or wing shape, centered below the brand name.

1905

Simonelli Group | Via E. Betti, 1 | 62020 Belforte del Chienti (MC) | Italy
T +39 0733 9501 | F +39 0733 950242 | info@victoriaarduino.com
www.victoriaarduino.com