



KRYO 65 OD

KRYO 65

User Manual
Bedienungsanleitung
Mode d'emploi

Manuale d'uso
Manual de instrucciones
Manual do utilizador

Dear customer

First of all, we thank you for choosing RANCILIO. We are confident that the product you have purchased will meet all your expectations. The product you are about to use is the outcome of extensive research and development. It is the most efficient, user-friendly and well designed machine of its kind.

This manual outlines the correct use and maintenance and will help you to get the best results from your machine. We hope you will find our explanations clear and we may continue to earn your business in the future.

Verehrte Kundin, verehrter Kunde

Wir danken Ihnen, dass Sie sich für RANCILIO entschieden haben.

Wir sind überzeugt, dass das Produkt, das Sie erworben haben, alle Ihre Erwartungen erfüllen wird. Dieses Produkt ist das Ergebnis sorgfältiger Forschung und Entwicklung. Wir legen besonderen Wert auf Leistungsfähigkeit, Benutzerfreundlichkeit und Design. Die Bedienungsanleitung wird Ihnen helfen Ihre Kaffeemaschine ordnungsgemäss zu bedienen, zu verstehen und das beste Ergebnis zu erzielen. Wir hoffen, unsere Erklärungen sind klar und verständlich und wir dürfen Sie auch in Zukunft zu unseren geschätzten Kunden zählen.

Chère cliente, cher client

Tout d'abord merci d'avoir choisi RANCILIO.

Nous avons l'assurance que le produit que vous venez d'acheter vous donnera entière satisfaction, tout comme tous nos autres produits sont conçus pour le faire. Le produit que vous allez utiliser est l'aboutissement de minutieux travaux de recherche et d'essais. Nous garantissons que l'équipement fourni offre une fonctionnalité, une sécurité et une satisfaction maximales par rapport aux produits actuellement sur le marché, à la fois en termes de design et de performances.

Ce livret d'instructions qui explique comment utiliser et entretenir correctement votre produit vous aidera à obtenir les meilleurs résultats d'utilisation possibles. Nous espérons que nos explications sont faciles à comprendre et que vous resterez l'un de nos fidèles clients à l'avenir.

Gentile cliente

Grazie per averci accordato la Sua fiducia. Siamo sicuri che il prodotto che Lei ha acquistato risponderà in pieno alle Sue aspettative. Il prodotto che Lei si accinge ad usare è il risultato di approfonditi studi e meticolose sperimentazioni ed è quanto di più funzionale, sicuro ed apprezzabile, anche sotto il profilo del design, si possa trovare sul mercato.

Questo manuale per il corretto uso e manutenzione La aiuterà a sfruttare al meglio la sua macchina. Sperando che trovi chiare le nostre spiegazioni, ci auguriamo di poterLa sempre annoverare tra i nostri clienti.

Estimado cliente

Ante todo, queremos agradecerle por haber elegido RANCILIO.

Estamos seguros de que el producto que ha adquirido cumplirá con todas sus expectativas. El producto que está a punto de utilizar es el resultado de extensas actividades de investigación y desarrollo. Es la que ofrece el mejor rendimiento, es la más fácil de usar y la mejor diseñada de su clase.

Este manual de instrucciones, en el que se explica la manera correcta de utilizar y mantener su producto, le ayudara a obtener los mejores resultados. Esperamos que nuestras explicaciones le parezcan claras y fáciles de comprender y que siga siendo en el futuro uno de nuestros fieles clientes.

Caro cliente

Em primeiro lugar, obrigado por seleccionar a RANCILIO. Estamos confiantes de que o produto que adquiriu ira dar resposta a todas as suas expectativas. O produto que esta prestes a utilizar e o resultado de uma investigacao e desenvolvimento extensivos. Trata-se da máquina mais eficiente, facil de utilizar e bem concebida do seu genero.

Este manual descreve a utilizacao e manutencao correctas e ira ajuda-lo a obter os melhores resultados da sua máquina. Esperamos que considere as nossas explicacoes claras e que possamos continuar a contar com a sua empresa no futuro.

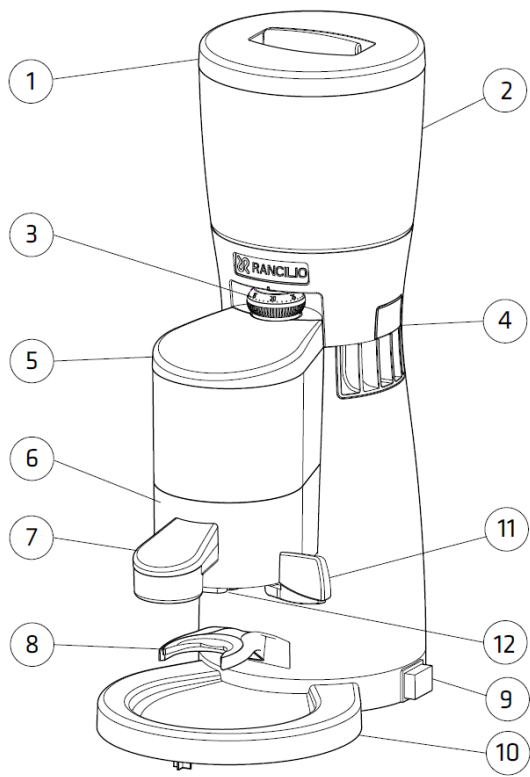


Fig. 1a

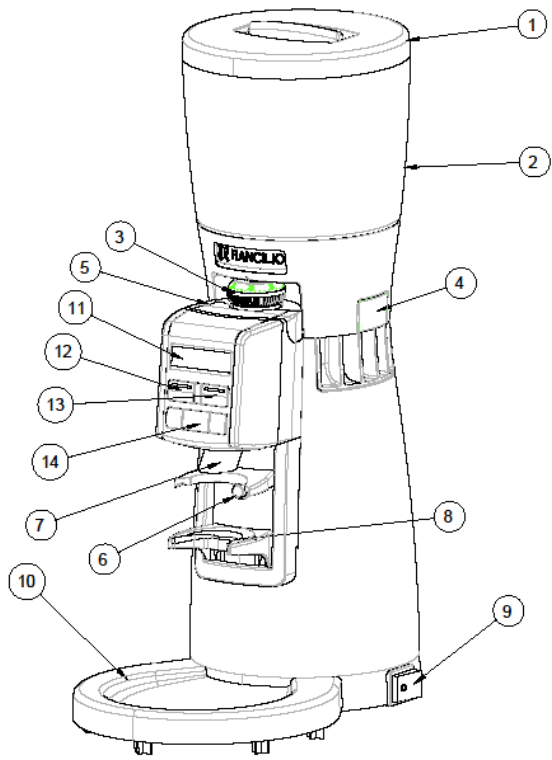


Fig. 1b

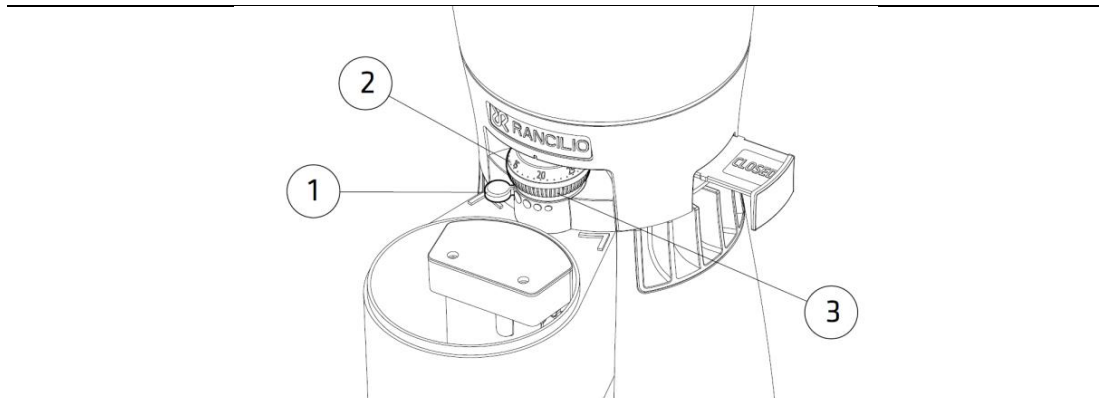


Fig. 2

1		4	
Mod. 2		F.n. 5	
3	~	P	Pin 6
11	Hz	8	9
12		13	
10		10	

Fig. 3

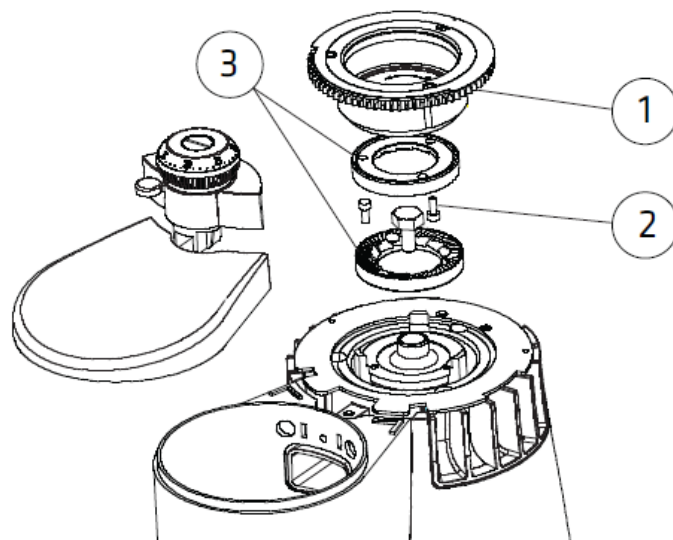


Fig. 4

ENGLISH

KRYO 65/ST KRYO 65/AT Coffee doser grinder

1. DESCRIPTION

KRYO 65/ST

Manual-switch operated coffee grinder

KRYO 65/AT

Automatic coffee grinder with optional manual-switch operation

Legend (Fig. 1a)

1. Hopper lid
2. Bean hopper
3. Adjustment knob
4. Hopper locking slide
5. Doser lid
6. Doser
7. Tamper
8. Filter holder fork
9. Main switch
10. Grounds tray
11. Dosing lever
12. Doser adjustment knob

2. OPERATION

KRYO 65/ST

Grind coffee as needed by switching the main switch (Fig. 1-9)

KRYO 65/AT

Press the main switch (Fig. 1-9). The grinding will then take place automatically.

You are advised to grind the amount of coffee required for your immediate needs, since leaving ground coffee unused for too long can result in loss of freshness and flavor.

Do not regrind coffee which has already been ground.

- Place the filter holder in the filter holder fork (Fig. 1-8), pull the dosing lever (Fig. 1a-11) firmly towards you and release, repeating the action for each dose of coffee required.
- Level out the coffee contained in the filter, position the filter holder under the tamper (Fig. 1a-7) and raise gently to tamp the coffee;
- Check that there are no coffee grounds on the rim of the filter holder.

3. MAINTENANCE

Maintenance operations should be carried out with the machine turned off and cold, and with the plug removed from the power source.

Do not use metallic or abrasive tools, such as steel wool, metal brushes, needles, etc., or detergents (alcohol etc.), but simply a damp cloth or sponge.

3.1. Daily

- Clean the housing and the grounds tray.
- Clean the filter holder fork area.
- Clean the coffee outlet with a brush.

3.2. Periodically or after intense use

Empty the bean hopper, and clean it of oily residues left by the coffee with a mild soap solution.

Waste materials used for processing or maintenance, if not biodegradable or pollutant, should be placed in separate containers and taken to suitable collection centers.

4. TROUBLESHOOTING

Inspection that can be carried out by the user

For any type of problem or difficulty not specified here, unplug the machine, refrain from making attempts to repair or inspect the machine yourself and contact an authorized service technician.

A) The machine does not turn on:

- Check that it is plugged in;
- Check that there is power being supply and that the automatic circuit breaker or main switch is turned on;
- Check the condition of the plug and supply cable, and if they are damaged have them replaced by a qualified technician.

B) Coffee is not ground:

- Check that there are coffee beans in the bean hopper;
- Check that the hopper locking slide is open (lever inwards)

C) Long grinding time

- Check the grind adjustment setting;
- Have the burrs replaced by qualified staff.

D) Dose size varies:

- Carefully clean the doser and the coffee dispenser outlet
- Check that the dosing lever can move freely and is not obstructed in any way.

5. TECHNICAL DATA

Versions		KRYO 65/ST KRYO 65/AT
Machine size	mm	L.220 - D.385 - H.575
Net weight of machine	kg	13
Production	kg/h	7-9
Bean hopper capacity	g	1300
Dose adjustment	g	5-10

Identification details, specifications plate (Fig. 3)

1. Manufacturer
2. Model and version
3. Voltage
4. EC Conformity mark
5. Serial number
6. Pin
7. Total absorption
8. --
9. --
10. --
11. Frequency
12. Conformity marks
13. Date of manufacture

6. INSTALLATION

Installation must be performed by a qualified technician.

The machine is delivered ready for installation according to the data on the plate Fig. 3.

Check that the main power supply is compatible with the machine. Check that the machine, the accessories, the supply cable and the plug are intact, and in the event of damage, inform the retailer promptly.

The machines have been designed and built for grinding coffee beans for professional use.

Any other use is to be considered improper and thus dangerous.

6.1 Motor rotation

To be carried out by a qualified technician.

For machines with 3-phase electrical supply, the correct rotation of the motor should be checked.

- Start the grinder and check that grinding is performed correctly. If this fails to occur, it means that the motor is rotating in the wrong direction.
- Turn off the machine and the main power supply.
- Invert the two phase conductors, reassemble the machine and try to perform the grinding operation again.

6.2. Burr calibration

To be performed during installation and after burr replacement

The dosing grinders are tested with a random grind setting, and will need to be readjusted. This operation should be carried out with the bean hopper empty.

Hold down the adjustment unlock button (Fig. 2-1) and at the same time slowly turn the adjustment knob (Fig. 2-3) counter-clockwise until the burrs brush against each other (when they come into contact, the sound of metallic friction can be heard), turn the numbered ring (Fig. 2-2) so that the starting point 0 is frontal; move the adjustment knob (Fig. 2-3) in the opposite direction (clockwise).

7. FIRST START-UP

7.1. Description of commands

KRYO 65/ST

Main switch (Fig. 1-9) with two positions; when switched on, the machine is on and coffee grinding begins.

KRYO 65/AT

Main switch (Fig. 1-9) with two positions; in position (I), the machine is on and will automatically shut-off when the doser has been filled.

7.2. Grind setting

The coffee grinder is tested by the manufacturer with a medium grind setting. The setting depends on the type of coffee used.

- Place a small quantity of coffee beans in the bean hopper and close the lid;
- Check that the hopper locking slide is open (Fig. 1-4) pushed in)
- Grind a small quantity of coffee;
- Position the filter holder on the filter holder fork (Fig. 1-8), then pull the dosing lever (Fig. 1a-11) to dispense a dose of ground coffee (this operation should be performed after adjusting the grind setting See 7.3);
- Brew some coffee, checking the dispensing time, the appearance of the coffee and its taste, considering that excessively course grounds produce light coloured coffee without a crema, while grounds that are too fine result in strong, dark coffee without a crema.
- If the coffee does not respond to your desired requirements, adjust grind fineness by pressing the ring block button (Fig. 2-1) and turning the regulation knob (Fig. 2-3) counter-clockwise for a finer grind or clockwise for a coarser grind.
- Repeat the operation until you have obtained the desired quality of coffee.

Recalibration of the grind is typically only necessary after a change in coffee. Minor adjustments may be required throughout use to accommodate for changes in freshness of the beans.

7.3. Adjusting the ground coffee dose

The doses can be adjusted as follows:

- Turn the knob below the doser (Fig. 1a-12) counter-clockwise to increase the dose.

8. DECOMMISSIONING

8.1. Temporary

- Close the hopper and grind the coffee beans remaining between the burrs.
- Turn off the switch and unplug the appliance from the power source;
- Remove the ground coffee and any coffee beans remaining in the bean hopper.
- Perform cleaning and maintenance operations;
- Coil up the supply cable and attach it to the machine using adhesive tape;
- Cover the machine and place it in a dry place, sheltered from bad weather and to which you have exclusive access.

8.2. Final

In addition to the operations of temporary decommissioning:

- Cut the power cable,
- Pack up the machine using cardboard or similar materials and hand it over to specialized operators (authorized waste disposal collectors or dealers in second-hand goods)

9. INFORMATION FOR SERVICE TECHNICIANS

9.1. Replacement of burrs

Although manufactured in tempered steel, the burrs are subject to wear and tear.

Their lifespan is influenced by the amount of coffee ground, its hardness and degree of roasting, as well as the quantity and purity of the coffee beans.

Small stones and various impurities have a marked abrasive action which significantly reduces the lifespan of the burrs. When grinding time becomes noticeably longer or the grind becomes irregular, the burrs should be replaced as follows:

- Pull the hopper locking slide (Fig. 1-4);
- Start the grinder to grind the coffee remaining between the burrs;
- Once grinding has finished, turn off the machine and unplug from the power source;
- Empty the bean hopper (Fig. 1-2);
- Remove the regulation knob (Fig. 1-3);
- Turn the upper burr-holder (Fig. 4-1) counter-clockwise until the head emerges completely;
- Unscrew the screws (Fig. 4-2) and remove the burrs (Fig. 4-3) from the burr-holder;
- Carefully clean the burr supports, the burr-holder thread and its housing;
- Position the new burrs in their holders and block them firmly in place;
- Reassemble the machine, performing the previous steps in reverse.
- Calibrate the new burrs.

KRYO 65 OD

Coffee grinder on demand

1. DESCRIPTION

KRYO 65 OD

Automatic on demand coffee grinder

Legend (Fig. 1b)

1. Hopper lid
2. Bean hopper
3. Adjustment knob
4. Hopper locking slide
5. Protection lid
6. Filter holder button
7. Coffee outlet
8. Filter holder fork
9. Main switch
10. Grounds tray
11. Display
12. Single dose button
13. Double dose button
14. Customized dose button

2. OPERATION

Press the main switch (Fig. 1-9). The grinding will take place in two modes.

The modes and how to activate are configured in the software and can be changed by the user if needed.

Do not regrind coffee which has already been ground.

2.1. Automatic mode

In the "Automatic" mode the grinder continues to grind until the pre-programmed dose has been dispensed. If grinding is stopped during dispensing the dose has been cancelled.

Activation by filter holder:

- Select the dose of coffee requested - single, double or customized dose (Fig. 1b-12 to 14). The LED of the selected dose button will be illuminated. The customized dose button has no LED. The selected dose will be shown in the display.
 - Place the filter holder in the filter holder fork (Fig. 1-8) by pressing the filter holder button (Fig. 1b-6) once.
 - The grinder runs the predefined time and stops automatically.
 - To cancel before, press the selected button again on the keypad. The grinding cannot be continued.
 - Level out the coffee contained in the filter and tamp the coffee with the tamper;
 - Check that there are no coffee grounds on the rim of the filter holder.
-
- Alternatively and if selected in the menu the dose can be selected with the filter holder.
 - Place the filter holder in the filter holder fork (Fig. 1-8) by pushing the filter holder button (Fig. 1b-6) once for a single dose and twice for a double dose. The selected dose will be shown in the display and the LED on the button of the selected dose will be illuminated. In this mode no customized dose is available.
 - The grinder runs the predefined time and stops automatically.
 - To cancel before, press any button on the keypad. The grinding cannot be continued.
 - Level out the coffee contained in the filter and tamp the coffee with the tamper;
 - Check that there are no coffee grounds on the rim of the filter holder.

Activation by keypad:

- Place the filter holder in the filter holder fork (Fig. 1-8).
- Select the dose of coffee requested - single, double or customized dose (Fig. 1b-12 to 14). The LED of the selected dose glows. The customized dose button has no LED. The selected dose will also be shown in the display.
- The grinder runs the predefined time and stops automatically.
- To cancel before, press the selected button again on the keypad. The grinding cannot be continued.
- Level out the coffee contained in the filter and tamp the coffee with the tamper;
- Check that there are no coffee grounds on the rim of the filter holder.

2.2. On Demand mode

In the "On demand" mode the grinding may be paused during dispensing and restarted.

Activation by filter holder:

- Select the dose of coffee requested - single, double or customized dose (Fig. 1b-12 to 14). The LED of the selected dose button will be illuminated. The customized dose button has no LED. The selected dose will also be shown in the display
- Place the filter holder in the filter holder fork (Fig. 1-8) and press it to the filter holder button (Fig. 1b-6).
- The grinder runs the predefined time and stops automatically.
- To pause the grinding before its finished dispensing, release the filter holder button, reactivate the dispensing by pressing and holding the filter holder button.
- To cancel before its finished dispensing, release the filter holder button, than press any button on the keypad.
- Level out the coffee contained in the filter and tamp the coffee with the tamper;
- Check that there are no coffee grounds on the rim of the filter holder.

Activation by keypad:

- Place the filter holder in the filter holder fork (Fig. 1-8).
- Select the dose of coffee requested - single, double or customized dose (Fig. 1b-12 to 14). The LED of the selected dose glows. The customized dose button has no LED. The selected dose will also be shown in the display
- The grinder runs the predefined time and stops automatically.
- To interrupt before its finished grinding, press the same button of the keypad. The LED blinks now. The grinding can be continued by pressing the same button again. The grinding will be stopped with any other button and cannot be continued.
- Level out the coffee contained in the filter and tamp the coffee with the tamper;
- Check that there are no coffee grounds on the rim of the filter holder.

3. MAINTENANCE

Maintenance operations should be carried out with the machine turned off and cold, and with the plug removed from the power source.

Do not use metallic or abrasive tools, such as steel wool, metal brushes, needles, etc., or detergents (alcohol etc.), but simply a damp cloth or sponge.

3.1. Daily

- Clean the housing and the grounds tray.
- Clean the filter holder fork area.
- Clean the coffee outlet with a brush.

3.2. Periodically or after intense use

Empty the bean hopper, and clean it of oily residues left by the coffee with a mild soap solution.

Waste materials used for processing or maintenance, if not biodegradable or pollutant, should be placed in separate containers and taken to suitable collection centers.

3.3. Burr replacement

KRYO 65 OD has an integrated counter, which informs the user after the predefined amount of coffee is grinded, that the burrs have to be replaced.

This alert can be activated by the service technician during the commissioning. We recommend activating the alarm.

The burr replacement has to be done by a qualified service technician only.

Please get in contact with your local sales organization.

4. TROUBLESHOOTING

Inspection that can be carried out by the user

For any type of problem or difficulty not specified here, unplug the machine, refrain from making attempts to repair or inspect the machine yourself and contact an authorized service technician.

A) The machine does not turn on:

- Check that it is plugged in;
- Check that there is power being supply and that the automatic circuit breaker or main switch is turned on;
- Check the condition of the plug and supply cable, and if they are damaged have them replaced by a qualified technician.

B) Coffee is not ground:

- Check that there are coffee beans in the bean hopper;
- Check that the hopper locking slide is open (lever inwards)

C) Long grinding time

- Check the grind setting;
- Have the burrs replaced by qualified staff.

5. TECHNICAL DATA

Version		KRYO 65 OD
Machine size	mm	L.220 - D.356 - H.575
Net weight of machine	kg	13
Production	g/s	3.5
Bean hopper capacity	g	1300

Identification details, specifications plate (Fig. 3)

1. Manufacturer
2. Model and version
3. Voltage
4. EC Conformity mark
5. Serial number
6. Pin
7. Total absorption
8. --
9. --
10. --
11. Frequency
12. Conformity marks
13. Date of manufacture

6. INSTALLATION

Installation must be performed by a qualified technician.

The machine is delivered ready for installation according to the data on the plate Fig. 3.

Check that the main power supply is compatible with the machine.

Check that the machine, the accessories, the supply cable and the plug are intact, and in the event of damage, inform the retailer promptly.

The machines have been designed and built for grinding coffee beans for professional use.

Any other use is to be considered improper and thus dangerous.

6.1. Burr calibration

To be performed during installation and after burr replacement

The grinders are tested with a medium grind setting, and need to be readjusted. This operation should be carried out with the bean hopper empty.

Remove the protection lid (Fig. 1b-5), hold down the adjustment unlock button (Fig. 2-1) and at the same time slowly turn the adjustment knob (Fig. 2-3) counter-clockwise until the burrs brush against each other (when they come into contact, the sound of metallic friction can be heard). Release the button, turn the numbered ring (Fig. 2-2) so that the starting point 0 is frontal; move the adjustment knob (Fig. 2-3) in the opposite direction (clockwise).

7. FIRST START-UP

7.1. Description of commands

Main switch (Fig. 1-9) with two positions; when switched on, the machine is ready for coffee grinding.

7.2. First startup

KRYO 65 OD has a startup menu to select the personal preferences of the operator, when switched on for the first time. Operator has to choose the language, the mode and the way to activate the grinding. After choosing the preferences, the display will show a message "Do Calibration". The calibration has to be done with the procedure shown in the software structure under Counter/Burrs/Calibration.

This message will be shown after each preparation up to the time, the calibration has been done.

7.3. Grind setting

The grinders are tested by the manufacturer with a medium grind setting. The setting depends on the type of coffee used.

- Place a small quantity of coffee beans in the bean hopper and close the lid;
- Check that the hopper locking slide is open (Fig. 1-4)
- Position the filter holder on the filter holder fork (Fig. 1-8) and grind coffee;
- Brew some coffee, checking the dispensing time, the appearance of the coffee and its taste, considering that excessively course grounds produce light coloured coffee without a crema, while grounds that are too fine result in strong, dark coffee without a crema.
- If the coffee does not respond to your desired requirements, adjust grind fineness by pressing the ring block button (Fig. 2-1) and turning the regulation knob (Fig. 2-3) counter-clockwise for a finer grind or clockwise for a coarser grind.
- Repeat the operation until you have obtained the desired quality of coffee.

Recalibration of the grind is typically only necessary after a change in coffee. Minor adjustments may be required throughout use to accommodate for changes in freshness of the beans.

8. DECOMMISSIONING

8.1. Temporary

- Close the hopper and grind the coffee beans remaining between the burrs.

- Turn off the switch and unplug the appliance from the power source;
- Remove any coffee beans remaining in the bean hopper.
- Perform cleaning and maintenance operations;
- Coil up the supply cable and attach it to the machine using adhesive tape;
- Cover the machine and place it in a dry place, sheltered from bad weather and to which you have exclusive access.

8.2. Final

In addition to the operations of temporary decommissioning:

- Cut the power cable,
- Pack up the machine using cardboard or similar materials and hand it over to specialized operators (authorized waste disposal collectors or dealers in second-hand goods)

9. INFORMATION FOR SERVICE TECHNICIANS

9.1. Replacement of burrs

Although manufactured in tempered steel, the burrs are subject to wear and tear.

Their lifespan is influenced by the amount of coffee ground, its hardness and degree of roasting, as well as the quantity and purity of the coffee beans.

Small stones and various impurities have a marked abrasive action which significantly reduces the lifespan of the burrs.

When grinding time becomes noticeably longer or the grind becomes irregular, the burrs should be replaced as follows:

- Pull the hopper locking slide (Fig. 1-4);
- Start the grinder to grind the coffee remaining between the burrs;
- Once grinding has finished, turn off the machine and unplug from the power source;
- Empty the bean hopper (Fig. 1-2);
- Remove the regulation knob (Fig. 1-3);
- Turn the upper burr-holder (Fig. 4-1) counter-clockwise until the head emerges completely;
- Unscrew the screws (Fig. 4-2) and remove the burrs (Fig. 4-3) from the burr-holder;
- Carefully clean the burr supports, the burr-holder thread and its housing;
- Position the new burrs in their holders and block them firmly in place;
- Reassemble the machine, performing the previous steps in reverse.
- Calibrate the new burrs.

9.2 Technician menu

Must be performed by a qualified technician.

The access to the technician menu is given by switching off the grinder. Switch on the main switch (Fig. 1-9) while pressing the confirmation button.

10. SOFTWARE

KRYO 65 OD has three menus to operate with.

10.1 Use of Buttons

To configure the KRYO 65 OD the dose buttons will be used with an additional function.

The single dose button (Fig. 1b-12) will be used as "-" button, the double dose button (Fig. 1b-13) as "+" button and both buttons to browse through the menu. The customized dose button (Fig. 1b-14) is used as confirmation or ESC-button depending on the menu accessed.

10.2 Dosing menu

In the dosing menu the amount of coffee dispensed by one button can be changed.

- Press the selected button for 3 seconds
- Change the value of the specific button
- Confirm the change with the confirmation button

10.3 Barista menu

The "Barista Menu" can be opened by pressing the confirmation button (Fig. 1-14) for 5 seconds.

Any additional information is given in the software tree below.

10.4 Technician menu

Must be performed by a qualified technician.

The parameters with the grey background are only accessible for the service technician

The access to this menu is given in another chapter of the manual.

Software

Dosing	Single	Time to grind the single dose in seconds	
	Double	Time to grind the double dose in seconds	
	Customized	Time to grind the customized dose in seconds	
	ESC	Leave the menu	
Mode	Automatic	Sets the grinder in the "Automatic" mode, the grinding cannot be paused during dispensing	
	On Demand	Sets the grinder in the "On Demand" mode, the grinding can be paused during dispensing	
	ESC	Leave the menu	
Start dose	by keyboard	The grinding will be started by pressing the requested button	
	by filter holder	The grinding will be started by the filter holder when touching the filter holder button.	
	Preselection	The preselection is only available in the Automatic mode. With "Yes" the dose selection will be done by the keypad; "No" means the dose selection will be done by pushing the filter holder to the filter holder button once for a single dose or two times for a double dose. A customized dose is not available with preselection.	
	ESC	Leave the menu	
Language	English, Deutsch ...	Select the language – Italiano, English, Deutsch, Français, Espanol or Portugues and confirm	
	ESC	Leave the menu	
Counters	Total	Single	Displays the total number of single dose prepared. Not resettable
		Double	Displays the total number of double dose prepared. Not resettable
		Customized	Displays the total number of customized dose prepared. Not resettable
		ESC	Leave the menu
	Counter	Single	Displays the number of single dose prepared since the last reset
		Double	Displays the number of double dose prepared since the last reset
		Customized	Displays the number of customized dose prepared since the last reset
		Reset	Resets all dose counters
		ESC	Leave the menu
	Burs	Calibration	The adjustment of the grinder is done with this submenu and starts with the confirmation
		Grinding	Starts to grind coffee for a defined time. The coffee must be scaled. Take three samples and calculate the average.
		Weight	The amount of scaled coffee will be adjusted here and confirmed
		Alarm	Amount of coffee in kg when the burs have to be changed. With "0" the alarm is disabled
		Counter	Shows the amount of coffee grinded in kg
Reset		Resets the burr counter	
ESC		Leave the menu	
ESC	Leave the menu		