

# ELECTRIC GRILLS

## CONTENTS

---

<b>A</b>	<b>GENERAL INFORMATION .....</b>	<b>Page 2</b>
A1	PRODUCT DESCRIPTION .....	Page 3
A2	TECHNICAL INFORMATION .....	Page 3
A3	TRANSPORTATION .....	Page 4
A4	UNPACKING .....	Page 4
<b>B</b>	<b>INSTALLATION .....</b>	<b>Page 4</b>
<b>C</b>	<b>SAFETY INSTRUCTIONS .....</b>	<b>Page 5</b>
<b>D</b>	<b>OPERATION.....</b>	<b>Page 6</b>
<b>E</b>	<b>CLEANING &amp; MAINTENANCE.....</b>	<b>Page 7</b>
<b>F</b>	<b>TROUBLESHOOTING.....</b>	<b>Page 8</b>
<b>G</b>	<b>SPARE PART LIST- EXPLODING DRAWING .....</b>	<b>Page 9</b>
<b>H</b>	<b>ELECTRIC CIRCUIT SCHEMA .....</b>	<b>Page 15</b>

## A GENERAL INFORMATION

---

**Before installing the appliance, read operation and maintenance instructions carefully. Wrong installation and part changing may damage the product or may cause injury on people. These are not in our company's responsibility to damage the appliance intentionally, negligence, detriments because of disobeying instructions and regulations, wrong connections. Unauthorized intervention to appliance invalidates the warranty.**

1. This instruction manual should be kept in a safe place for future reference.
2. **Installation should be made in accordance with ordinances and security rules of that country by a qualified service personnel.**
3. This appliance has to be used by trained person.
4. Please turn off the appliance immediately in the event of malfunction or failure. The appliance should be repaired only by authorized service personnel. Please demand original spare part.

# ELECTRIC GRILLS

## A1 PRODUCT DESCRIPTION

\*The Professional Electric Grills ,that provides high efficiency has been designed to be used in industrial kitchens.

Product Code	Dimensions (mm)	Weight (kg)	Packaging Dimensions (mm)
EMP.7IE010	400x730x285	45	480x800x570
EMP.7IE020	800x730x285	70	830x800x570
EMP.7IE022	800x730x285	70	830x800x570
EMP.9IE010	400X900X285	65	480x970x1000
EMP.9IE020	800X900X285	106	840x960x1020
EMP.9IE022	800X900X285	108	860x960x1020

## A2 TECHNICAL INFORMATION

Product Code	Model	Electric Inlet	Cable (mm <sup>2</sup> )	Power (KW)
EMP.7IE010	Electric Grill-Smooth	400 V. AC 3N PE	5x2,5	3,6
EMP.7IE020	Electric Grill-Smooth	400 V. AC 3N PE	5x2,5	7,2
EMP.7IE022	Electric Grill-Smooth +Ribbed	400 V. AC 3N PE	5x2,5	7,2
EMP.9IE010	Electric Grill-Smooth	400 V.AC 3N PE	5X4	6
EMP.9IE020	Electric Grill-Smooth	400 V.AC 3N PE	5X4	12
EMP.9IE022	Electric Grill-Smooth +Ribbed	400 V.AC 3N PE	5X4	12

### **A3      TRANSPORTATION**

---

\*This appliance can not be moved by hand from area to area.It must be moved on pallet with forklift truck.

### **A4      UNPACKING**

---

\*Please unpack the package according to the security codes and ordinances of current country and get rid from the pack.Parts which contacts with food are produced by stainless steel.All plastic parts are marked by material's symbol.

\*Please check that all the parts of appliance had come completely and if they are damaged or not during the shipping.

### **B        INSTALLATION**


---

\*Please place the product to straight and sturdy ground,please take necessary steps against possibility of overturn.

\*Technician who will serve for installation and service for the appliance must be professional on this subject and must have installation and service licenses by the company.

\*Connection to Electric Power Supply must be done by authorized person.

\*Please be sure that the voltage connected to appliance must be equal with the voltage which is on appliance's label.

 This appliance must be connected to an earthed outlet in accordance with safety rules and standards.

\*Appliance's earthing must be connected to earthing line on panel which is nearest to electric installation.










\*Connection to the main fuse and leak current fuse must be done in accordance with the current regulations.

\*If the location where Electric Grills placed is covered with nonflammable heat insulation material,the distance between them must be 5 cm.Otherwise it should be at least 20 cm.The appliance shouldn't be operated under chimney hood.

## ELECTRIC GRILLS

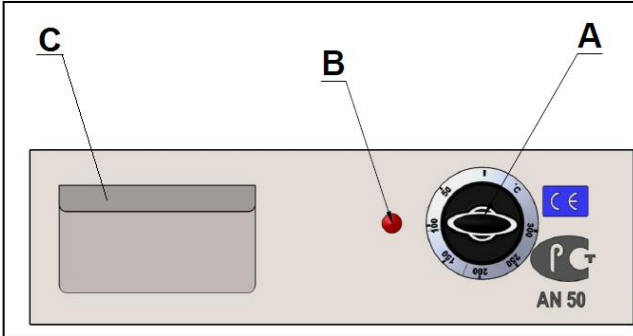
### C SAFETY INSTRUCTIONS

---

-  \*Do not use the appliance in insufficient lighted place.
-  \*Do not touch the moving attachments while the appliance operates.
-  \*Do not install the appliance in the presence of flammable or explosive materials.
-  \*Do not operate the appliance when the machine is empty.
-  \*Do not load so less or more than appliance's capacity.
-  \*Do not attempt to use the appliance without suitable protective equipments.
-  \*Because of any reason if there is a fire or flame flare where the appliance is used, turn off all gas valves and electric contactor switch quickly and use fire extinguisher. Never use water to extinguish the fire.
-  \*All the damages because of not having earthing connection will not be on warranty.
-  \*Do not put watery materials on the grill. Otherwise oil splashes may cause serious burn.

## D OPERATION

### \*Control Panel;



A : Heat setting button

B : Indicator lamp

C : Oil drawer

### \*Operating;

- Plug in the grill.
- In order to operate the grill, switch (I) position.
- Operate the grill when it is empty for the first use. Then it will be ready for use.
- In order to set the appliance's temperature, switch the thermostat to desired temperature.
- When the thermostat switch is turned, the heaters start to operate and indicator lamp on switch signals as it operates. During the operation of heaters the thermostat steps in and signal lamp becomes off if the grill is off.
- Put the materials that will be cooked on the grill, while it is being heated.
- While the cooking is going on at grill be sure that the used oil is accumulated at oil drawer.
- After the operation is completed switch to (0) position.

## ELECTRIC GRILLS

### **E CLEANING & MAINTENANCE**

---

#### ➤ **CLEANING AND MAINTENANCE AFTER EVERY USE**

- Always turn off the appliance and disconnect from the power supply before cleaning.
- Clean the outer surface of the appliance with a wet cloth and chrome shiner.
- Do not use abrasive cleaning chemicals as these can leave harmful residues.
- Do not clean the appliance by spraying water directly, otherwise electric motor may get damaged.
- Clean the grill with suitable scraper after every use.

#### ➤ **PERIODIC CLEANING AND MAINTENANCE**

- Maintenance should be done by qualified person.
- Get the periodic maintenance of the appliance once in every 15 days.
- Clean the oil drawer in periodic times. For this fill the oil drawer with water and heat it. This process will help to clean frozen and stucked oil.
- Maintenance of the appliance's contactor should be done by compressed air according to frequency of use.

**F TROUBLESHOOTING****THE APPLIANCE DOESN'T OPERATE**

1. Check if the appliance is plugged in.
2. Check the electrical connections and voltage.
3. Check the fuse if it is on or not.

**THE APPLIANCE DOESN'T COOK WELL**

1. Check if the appliance is operated at suitable temperature or not.

**THE APPLIANCE STOPPED**

1. The appliance can stop due to low voltage. In this situation check the voltage.

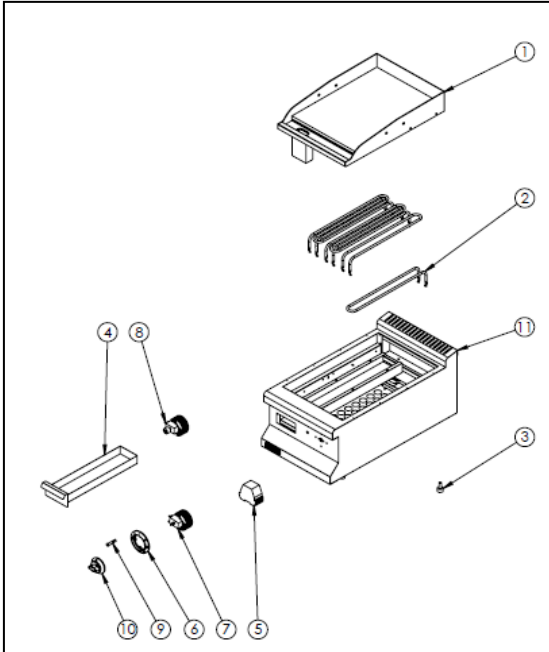
- If cooking at electric grills is not done at suitable quality
- If any function of security doesn't work
  - Do not use the appliance.

**\*If these problems are still going on, contact with our authorized services.**



# ELECTRIC GRILLS

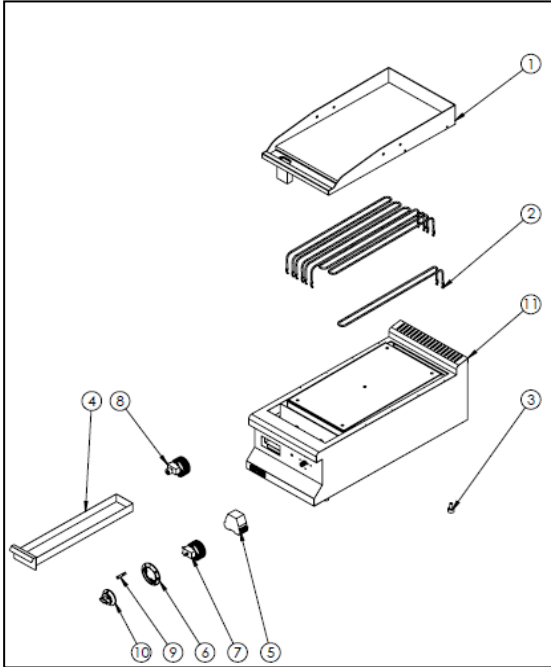
## G SPARE PART LIST-EXPLODING DRAWING



### PRODUCT CODE: EMP.71E010

NO	PRODUCT NAME	P.CODE
1	TOP PLATINE	Y.EMP.71E010.001
2	RESISTANCE	Y.EMP.71E010.002
3	FEET	Y.EMP.71E010.003
4	DRAWER	Y.EMP.71E010.004
5	CONTACTOR 3TF41	Y.EMP.71E010.005
6	BUTTON BUFFER	Y.EMP.71E010.006
7	THERMOSTAT 50-300	Y.EMP.71E010.007
8	LIMITÖR 360°	Y.EMP.71E010.008
9	WARNING LAMP	Y.EMP.71E010.009
10	BUTTON	Y.EMP.71E010.010
11	BASE FRAME	Y.EMP.71E010.011

## G SPARE PART LIST-EXPLODING DRAWING

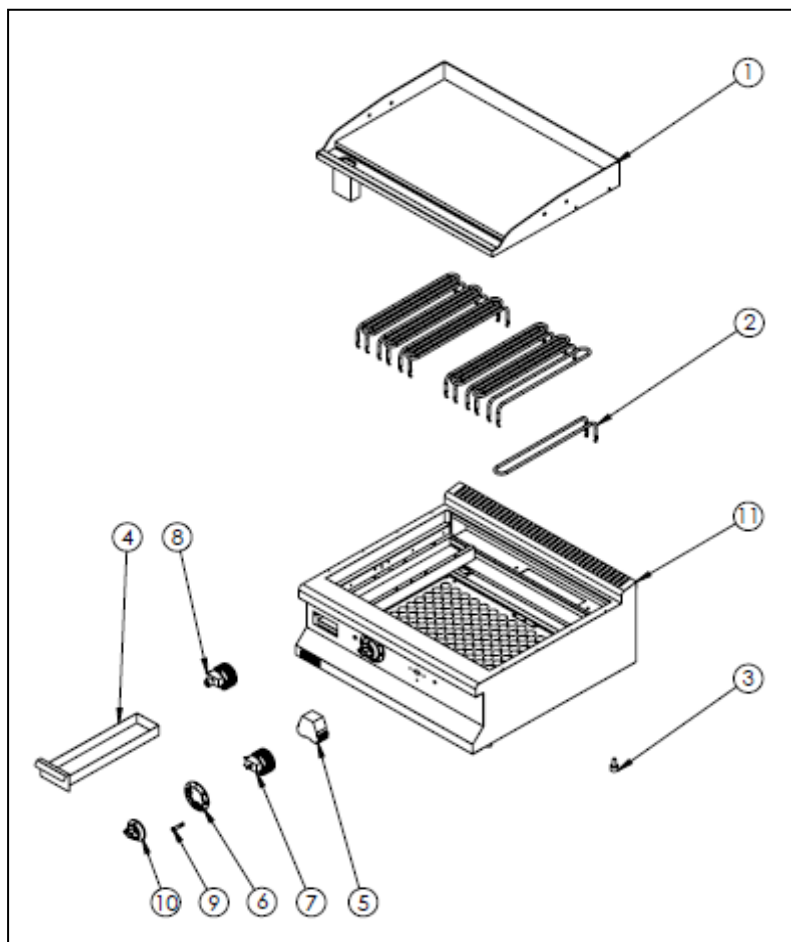


### PRODUCT CODE: EMP.9IE010

NO	PRODUCT NAME	P.CODE
1	TOP PLATINE	Y.EMP.9IE010.001
2	RESISTANCE	Y.EMP.9IE010.002
3	FEET	Y.EMP.9IE010.003
4	DRAWER	Y.EMP.9IE010.004
5	CONTACTOR 3TF41	Y.EMP.9IE010.005
6	BUTTON BUFFER	Y.EMP.9IE010.006
7	THERMOSTAT 50-300	Y.EMP.9IE010.007
8	LIMITÖR 360°	Y.EMP.9IE010.008
9	WARNING LAMP	Y.EMP.9IE010.009
10	BUTTON	Y.EMP.9IE010.010
11	BASE FRAME	Y.EMP.9IE010.011

# ELECTRIC GRILLS

## G SPARE PART LIST-EXPLODING DRAWING



EMP.71E020 – EMP.71E022

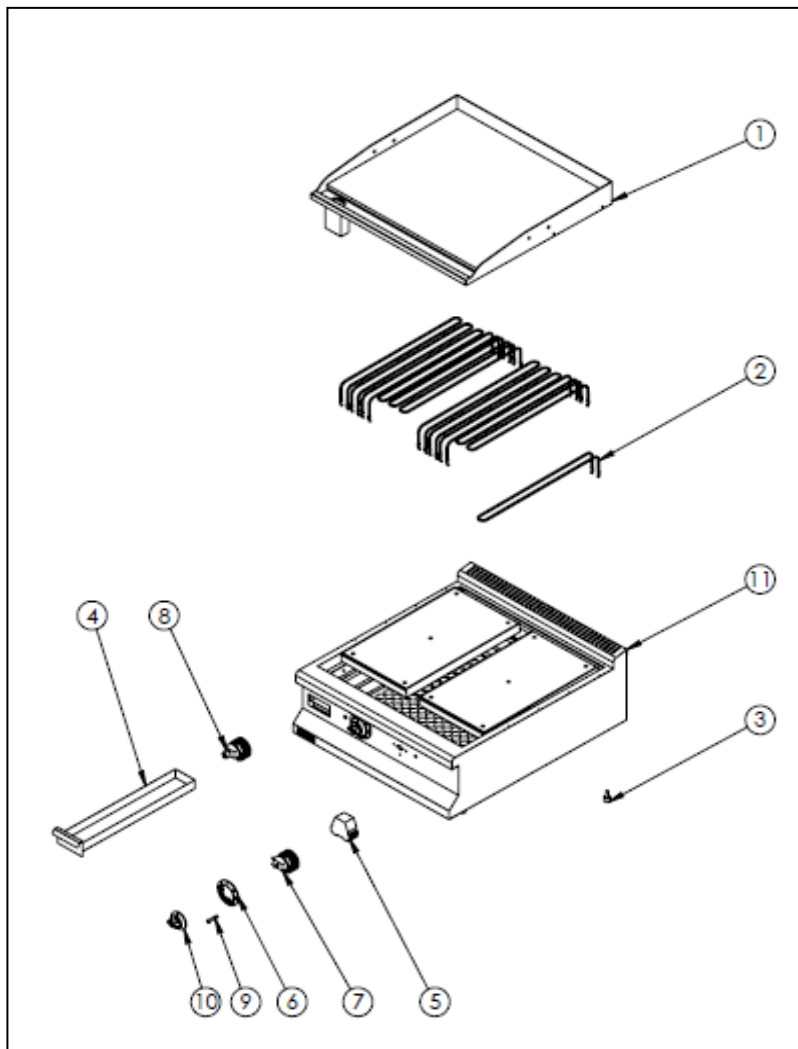
**G SPARE PART LIST-EXPLODING DRAWING**

<b>PRODUCT CODE: EMP.71E020</b>		
<b>NO</b>	<b>PRODUCT NAME</b>	<b>P.CODE</b>
1	TOP PLATINE	Y.EMP.71E020.001
2	RESISTANCE	Y.EMP.71E020.002
3	FEET	Y.EMP.71E020.003
4	DRAWER	Y.EMP.71E020.004
5	CONTACTOR 3TF41	Y.EMP.71E020.005
6	BUTTON BUFFER	Y.EMP.71E020.006
7	THERMOSTAT 50-300	Y.EMP.71E020.007
8	LIMITÖR 360°	Y.EMP.71E020.008
9	WARNING LAMP	Y.EMP.71E020.009
10	BUTTON	Y.EMP.71E020.010
11	BASE FRAME	Y.EMP.71E020.011

<b>PRODUCT CODE: EMP.71E022</b>		
<b>NO</b>	<b>PRODUCT NAME</b>	<b>P.CODE</b>
1	TOP PLATINE	Y.EMP.71E022.001
2	RESISTANCE	Y.EMP.71E022.002
3	FEET	Y.EMP.71E022.003
4	DRAWER	Y.EMP.71E022.004
5	CONTACTOR 3TF41	Y.EMP.71E022.005
6	BUTTON BUFFER	Y.EMP.71E022.006
7	THERMOSTAT 50-300	Y.EMP.71E022.007
8	LIMITÖR 360°	Y.EMP.71E022.008
9	WARNING LAMP	Y.EMP.71E022.009
10	BUTTON	Y.EMP.71E022.010
11	BASE FRAME	Y.EMP.71E022.011

# ELECTRIC GRILLS

## G SPARE PART LIST-EXPLODING DRAWING



EMP.9IE020 – EMP.9IE022

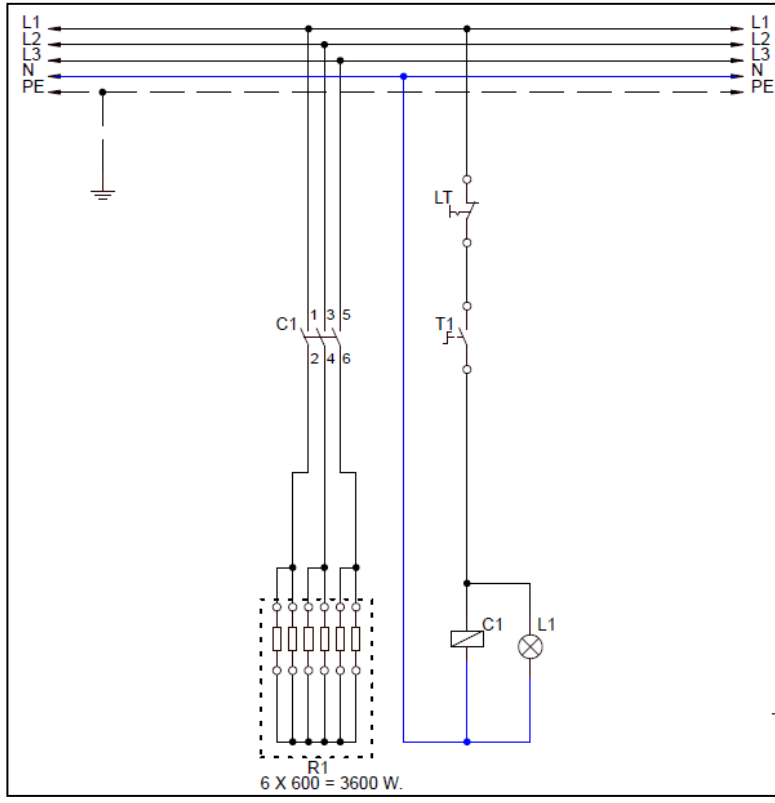
**G SPARE PART LIST-EXPLODING DRAWING**

<b>PRODUCT CODE: EMP.9IE020</b>		
<b>NO</b>	<b>PRODUCT NAME</b>	<b>P.CODE</b>
1	TOP PLATINE	Y.EMP.9IE020.001
2	RESISTANCE	Y.EMP.9IE020.002
3	FEET	Y.EMP.9IE020.003
4	DRAWER	Y.EMP.9IE020.004
5	CONTACTOR 3TF41	Y.EMP.9IE020.005
6	BUTTON BUFFER	Y.EMP.9IE020.006
7	THERMOSTAT 50-300	Y.EMP.9IE020.007
8	LIMITÖR 360°	Y.EMP.9IE020.008
9	WARNING LAMP	Y.EMP.9IE020.009
10	BUTTON	Y.EMP.9IE020.010
11	BASE FRAME	Y.EMP.9IE020.011

<b>PRODUCT CODE: EMP.9IE022</b>		
<b>NO</b>	<b>PRODUCT NAME</b>	<b>P.CODE</b>
1	TOP PLATINE	Y.EMP.9IE022.001
2	RESISTANCE	Y.EMP.9IE022.002
3	FEET	Y.EMP.9IE022.003
4	DRAWER	Y.EMP.9IE022.004
5	CONTACTOR 3TF41	Y.EMP.9IE022.005
6	BUTTON BUFFER	Y.EMP.9IE022.006
7	THERMOSTAT 50-300	Y.EMP.9IE022.007
8	LIMITÖR 360°	Y.EMP.9IE022.008
9	WARNING LAMP	Y.EMP.9IE022.009
10	BUTTON	Y.EMP.9IE022.010
11	BASE FRAME	Y.EMP.9IE022.011

# ELECTRIC GRILLS

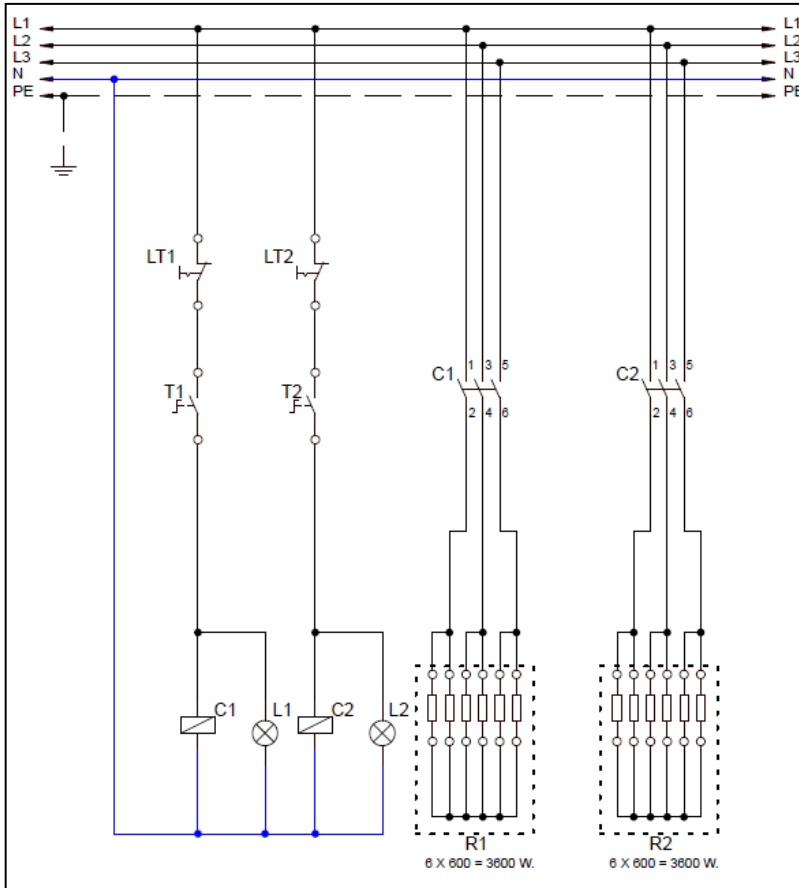
## H ELECTRIC CIRCUIT SCHEMA



EMP.7IE010

T1	LT	C1	L1	R1
Thermostat (50-300°C)	Limit thermostat 360°	Contactor	Thermostat signal lamp	Resistance

## H ELECTRIC CIRCUIT SCHEMA



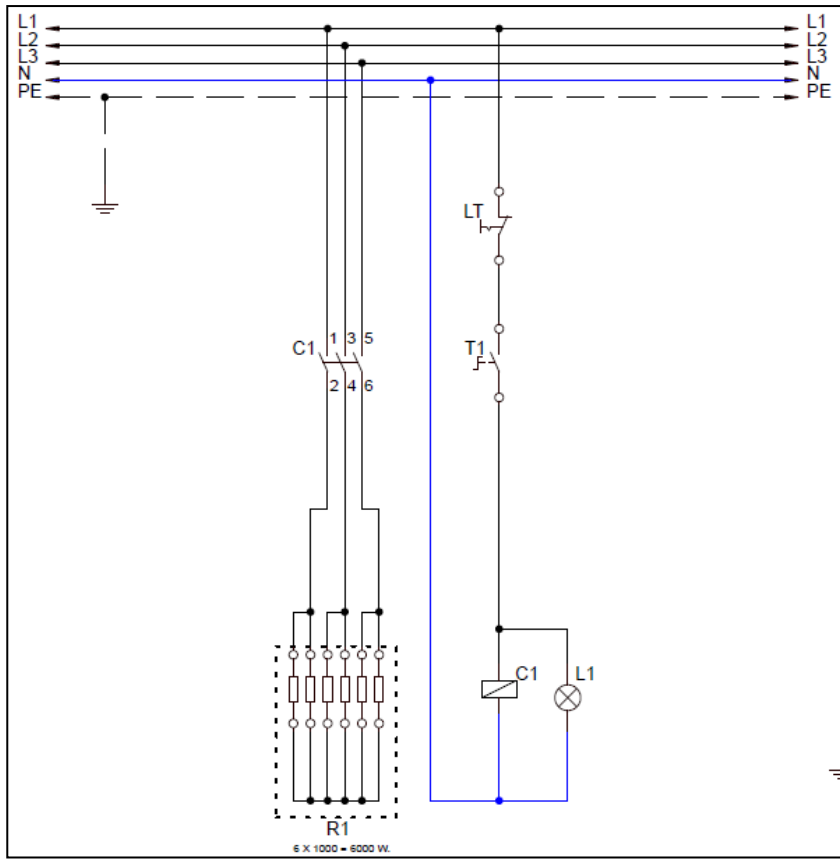
EMP.71E020 - EMP.71E022

T1.T2	LT1-LT2	C1.C2	L1.L2	R1.R2.
Thermostat (50-180°C)	Limit thermostat 360°	Contacteur	Thermostat signal lamp	Resistance



# ELECTRIC GRILLS

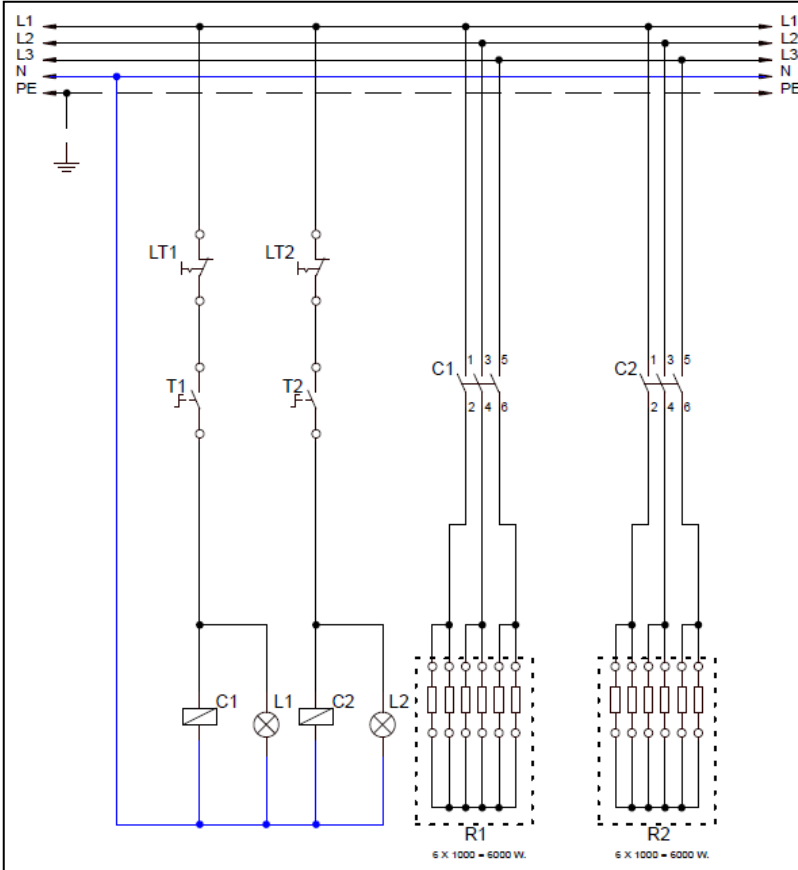
## H ELECTRIC CIRCUIT SCHEMA



EMP.9IE010

T1	LT	C1	L1	R1
Thermostat (50-300°C)	Limit thermostat 360°	Contactor	Thermostat signal lamp	Resistance

## H ELECTRIC CIRCUIT SCHEMA



EMP.9IE020 - EMP.9IE022

T1.T2	LT1-LT2	C1.C2	L1.L2	R1.R2
Thermostat (50-180°C)	Limit thermostat 360°	Contactors	Thermostat signal lamp	Resistance