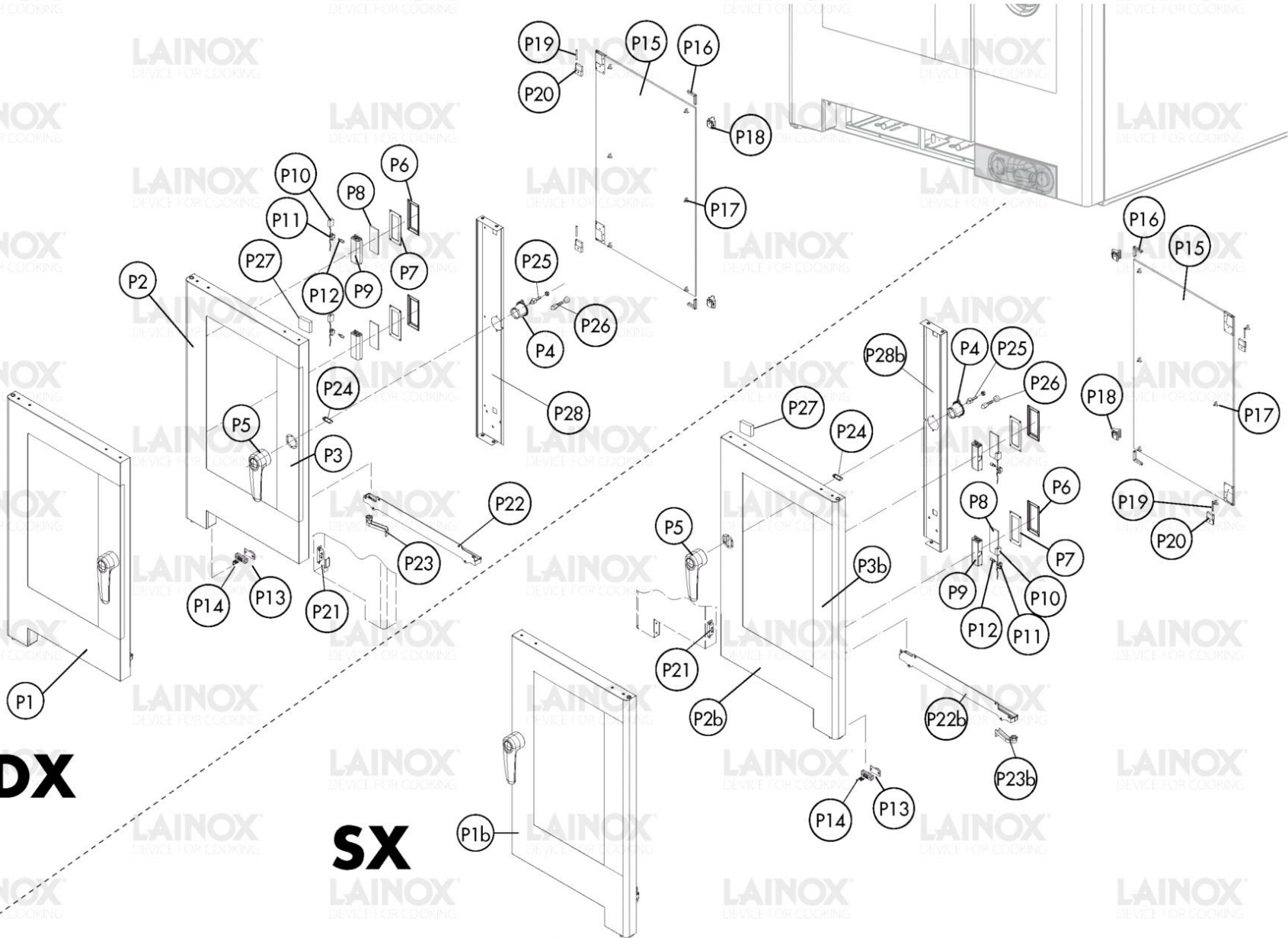


Warning! The exploded views refer to the general model

TAV. A

Pos.	Code	Previous code	Description	Notes	From:	To:
0001	LAR65040530		MOTOR [C] 200/440V 0,55KW ONE SPEED			
0001	LAR65041210		MOTOR [C] 240/480V 60HZ 0,55KW ONE SPEED	UL Version (USA-CAN)		
0002	LA58003850	LAR58003850	COUNTER FLANGE [C]			
0003	LA58003840	LAR58003840	FLANGE [C] GASKET			
0004	LA70020050	LAR70020050	GASKET [C]			
0005	LA75400440	LAR75400440	FAN [C] D. 350X114 50HZ			
0006	LA58004010	LAR58004010	WASHER [C] D. 30/12,5			
0007	LA58004000	LAR58004000	SCREW [C] M12X1.5			
0008	LA61020562	LAR61020562	SCREW [C] M6X55 UNI 5737 - MINIMUM 10 PIECES OR MULTIPLE			
0009	LA70030200		GASKET [C] HEATING ELEMENTS			
0010	LAR65011300		HEATING ELEMENT [C] 15000W 208V CHAMBER	UL Version 208V (USA-CAN)		
0010	LAR65011310		HEATING ELEMENT [C] 15000W 230V CHAMBER			
0011	LA11201970	LAR11201970	EXTENSION [C] VAPORISEUR C-V-M/101			
0012	LA14219640		PIPE [C] CONNECTOR HUMIDIFIER N/SE101 2017			
0013	LA62090908	LAR62090908	INTERMEDIATE STRAIGHT CONNECTOR [C] D. 10 SPEEDFIT			
0014	LA80150060	LAR80150060	PIPE [C] PEX-B D. 10MM L.100M			
0015	LA62090528	LAR62090528	CURVED CONNECTOR [C] 10X10			
0016	LAR65110340		SOLENOID VALVE [C] 230V 50/60HZ 2 OUTLET JG CONNECTION D. 10			
0016	LAR65110780		SOLENOID VALVE [C] 230V50/60HZ	UL Version (USA-CAN)		
0017	LA62090518	LAR62090518	CONNECTOR [C] END SIDE PIPE 10X1/4			
0018	LAR70010050		GASKET [C] 7,60X2,62			
0019	LA62030113	LAR62030113	COUPLING [C] BRASS REDUCTION			
0020	LAR63070050		WATER PRESSURE SWITCH [C] 500/350 mbar -1/8			
0021	LA70010370	LAR70010370	GASKET [C]			
0022	LAR65320220		PROBE [C] K L. 1,5M			
0023	LA62070023	LAR62070023	BICONE [C] D. 6			
0024	LA62060223	LAR62060223	NUT [C] D. 6			
0025	LAR58006690		CAP [C] SERIE 2014			
0026	LAR65095000		RELEASE MOTOR [C] COMPLETE - 1 CAM			
0028	LAR70030180		GRAPHITE GASKETS KIT [C] 80x50,3x3 SET 5 PIECES			
0029	LAR14218440		DEFLECTOR [C] AREN/S084 2014			

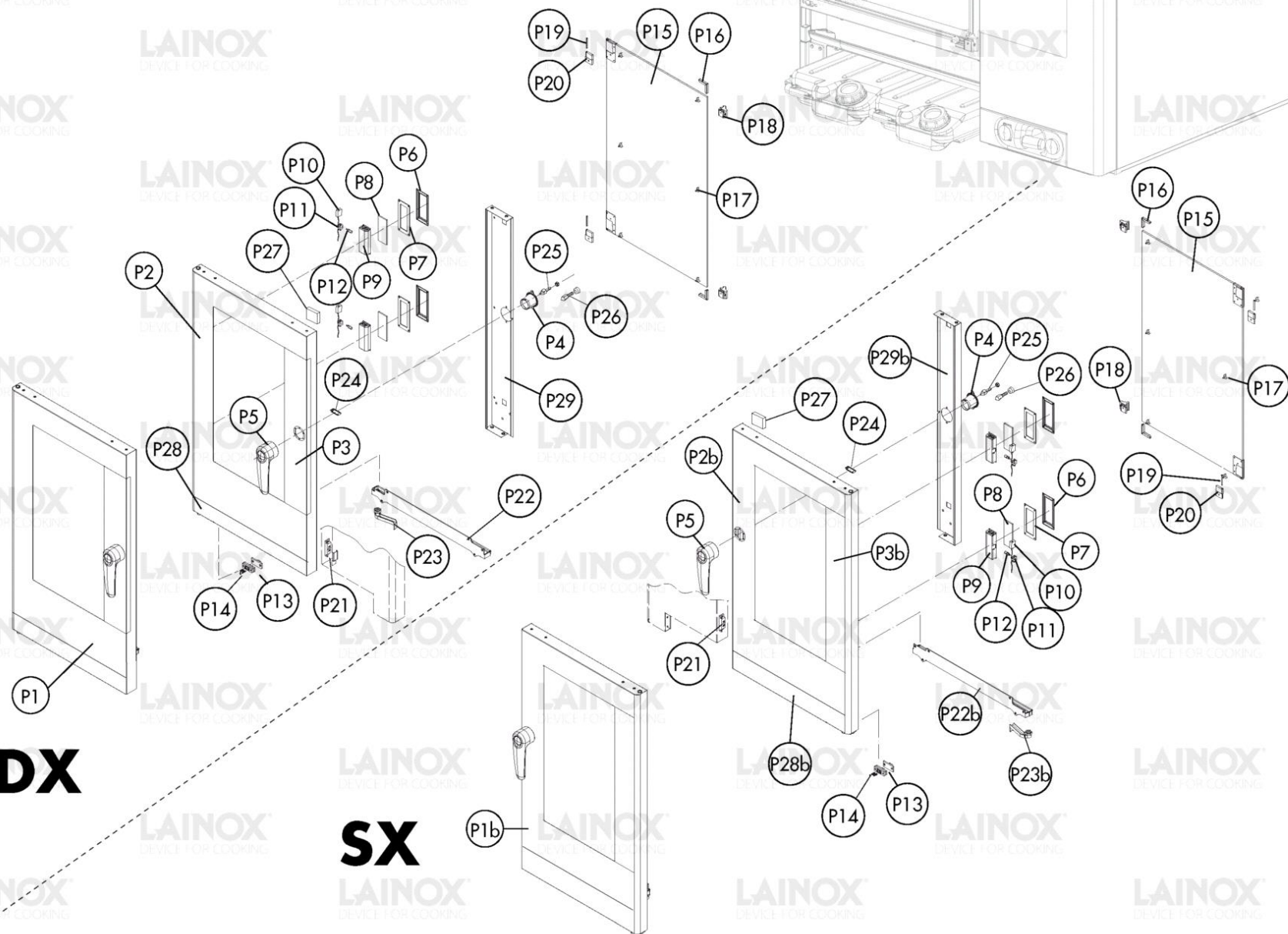
Pos.	Code	Previous code	Description	Notes	From:	To:
0030	LA75300070	LAR75300070	PLATE [C] FAN D. 350 N/S101 2014			
0031	LAR58003110		PIN [C] DEFLECTOR CLAMPING			
0032	LA14402130	LAR14402130	HINGE [C]			
0033	LA58000370	LAR58000370	PIN [C] UPPER HINGE			
0034	LA58004050	LAR58004050	NUT [C]			
0035	LA11207240	LAR11207240	LOWER HINGE KIT [C] M-V/061-101-102 2005			
0036	LA58002670	LAR58002670	LOWER PIN [C] HINGE SR 2005			
0037	LA58000360	LAR58000360	NUT [C]			
0038	LA70048013	LA70048012	GASKET [C] DOOR T10			
0039	LAR69180210		DRAIN CONTAINER [C] N/S071-101 2014			
0040	LA69180250	LAR69180250	FILTER [C] CONTAINER DRAIN			
0041	LA14204160		RACK [C] PASTRY T10 2011			
0041	LA14428780	LAR14428780	RACK [C] PASTRY T10 2011			
0042	LAR10201710		AIR FILTER [C] DRAIN M/210-12 D.86/44,5			
0043	LAR70030180		GRAPHITE GASKETS KIT [C] 80x50,3x3 SET 5 PIECES			
0044	LA70060040	LAR70060040	SILICONE COUPLING [C] D. INNER 51 D. EXTERIOR 59			
0045	LA70060080		SILICONE COUPLING [C] D. 13X18X80			
0046	LAR69180120		BOX [C] DRAIN PIPE G/MV T06-T10-T21			
0047	LA58006160		NOZZLE [C] D. 0,80			
0048	LA62090633	LAR62090633	CURVED CONNECTOR [C] 10/10			
0049	LA70050150	LAR70050150	GASKET [C] BOILER CAP			
0050	LA69150100	LAR69150100	CAP [C]			
0051	LA61630031	LAR61630031	ZINC CLAMP [C]			
0052	LA62280038	LAR62280038	CURVE [C]			
0053	LAR65240030		FAIRLEAD [C]			



Warning! The exploded views refer to the general model

TAV. B - SCS

Pos.	Code	Previous code	Description	Notes	From:	To:
00P1	LAR14162740		DOOR [C] NA_101 COMPLETE			
00P2	LAR14200660		EXTERIOR DOOR [C] NA_101			
00P3	LA67017061		RIVESTIMENTO PORTA C/MAN. AR_N084R			
00P4	LAR69010630		COVERING [C] GROUP 6303 CLOSING			
00P5	LA69010190	LAR69010190	LOCK [C] 6303 N/S2014			
00P6	LA11401450		FLANGE [C] BULB GLASS			
00P7	LA70044200		GASKET [C] BULB GLASS P2000			
00P8	LA71500150		GLASS PLATE [C]			
00P9	LA11401440		LAMP COVER [C]			
0P10	LA66110320		DOOR LIGHTS CABLE SET [C] MV101-102			
0P11	LA65270450		LAMP HOLDER [C]			
0P12	LA65270020		BULB [C] 12V 20W G4			
0P13	LAR65260752		LIGHT CONTACT [C] SR.2014 - FLOOR OVEN			
0P14	LA61600031	LAR61600031	GASKET [C] D. 3,2			
0P15	LAR71202190		GLASS PLATE [C]			
0P15	LAR71202190A		GLASS PLATE [C]	PER PORTA INCERNIERATA A DX- FOR RIGHT HINGED DOOR		
0P16	LA11423460	LAR11423460	PROTECTION [C] DOOR GLASS K E T 2011			
0P17	LAR70050180		SPACER [C] GLASS PLATE 15X8			
0P18	LAR17406230		GLASS BLOCK [C]		8/13/2018	
0P18	LAR58001780		CATCH [C] DOOR GLASS			8/10/2018
0P19	LA58001770	LAR58001770	PIN [C] GLASS HINGE SR2000			
0P1b	LAR14164880		DOOR [C] OPPOSITE NA_101			
0P20	LA58001760	LAR58001760	HINGE [C]			
0P21	LAR65265100		MICROSWITCH [C] DOOR			
0P22	LAR69180220		DOOR CONTAINER [C] N/S071-101 2014			
0P23	LA69180011		WATER DRAIN [C] CONTAINER			
0P24	LA61620132	LAR61620132	SPRING [C] PRONG HOOK			
0P25	LA69010260	LAR69010260	PRONG [C]			
0P26	LAR69010270		DOOR LATCH 2 STEP [C]			
0P27	LA11420660	LAR11420660	FLANGE [C]			
0P2b	LAR14202190		DOOR [C] OPPOSITE NA_101			
0P3b	LA67017081		RIVESTIMENTO PORTA S/MAN. AR_N084R			
P23b	LA11202240	LAR11202240	WATER DRAIN [C] CONTAINER SR2000			

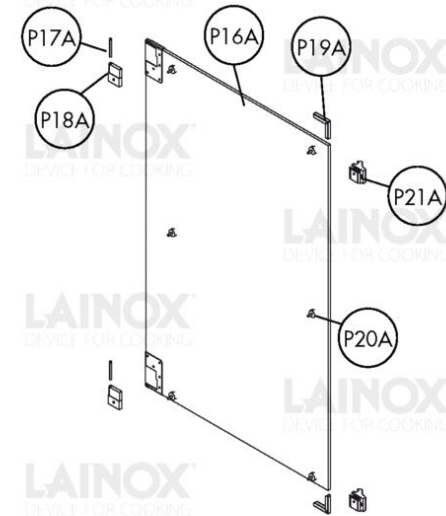
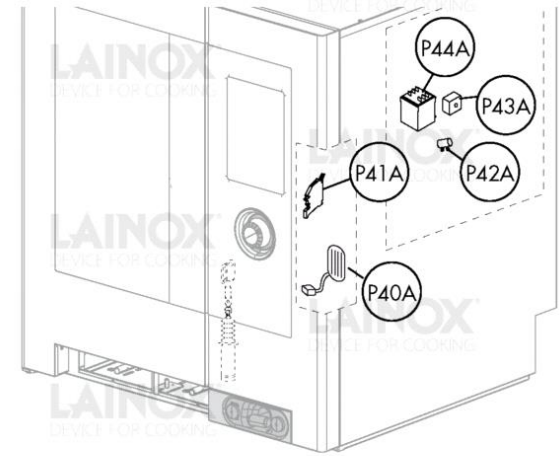
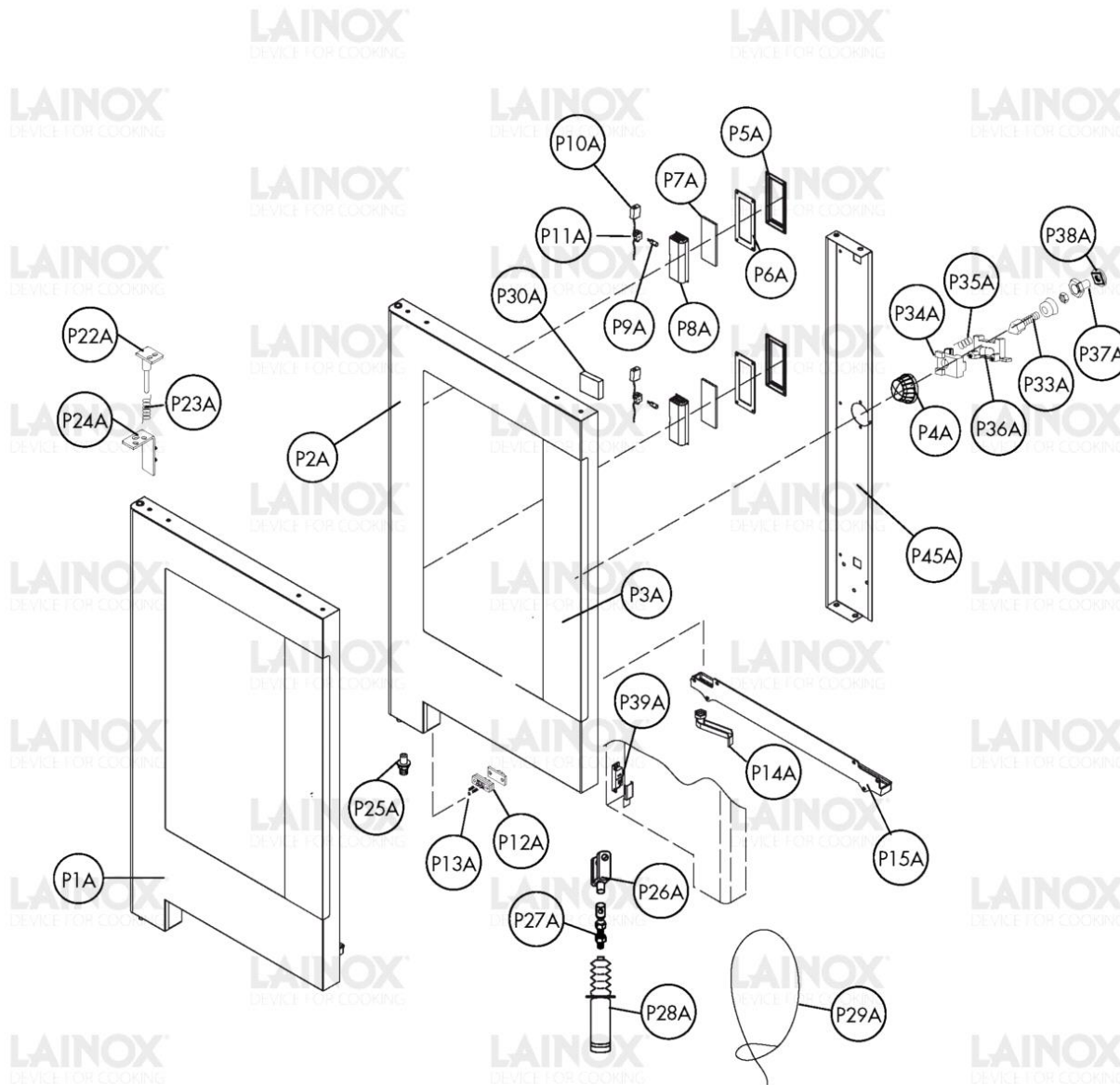


Warning! The exploded views refer to the general model

TAV. B - LCS

Pos.	Code	Previous code	Description	Notes	From:	To:
00P1	LAR14173520		PORTA COMPLETA AR_N084 C/TANICHE PORTA COMPLETA AR_N084 C/TANICHE	HALOGEN		2/8/2019
00P1	LAR14182620		PORTA COMPLETA AR_N084 C/TANICHE LED PORTA COMPLETA AR_N084 C/ TANICHE LED	LED	2/11/2019	
00P2	LAR14203770B		DOOR [C] AR_N084	HALOGEN		2/8/2019
00P2	LAR14203770G		OUTER DOOR [C] AR_N084 W/TANK LED	LED	2/11/2019	
00P3	LA67017061		RIVESTIMENTO PORTA C/MAN. AR_N084R			
00P4	LAR69010630		COVERING [C] GROUP 6303 CLOSING			
00P5	LA69010190	LAR69010190	LOCK [C] 6303 N/S2014			
00P6	LA11401450		FLANGE [C] BULB GLASS			2/8/2019
00P6	LA65270590		LED LAMP L=130MM 12V DC [C]	REPLACE P6-P7-P8-P9- P11-P12	2/11/2019	
00P7	LA65270590		LED LAMP L=130MM 12V DC [C]	REPLACE P6-P7-P8-P9- P11-P12	2/11/2019	
00P7	LA70044200		GASKET [C] BULB GLASS P2000			2/8/2019
00P8	LA65270590		LED LAMP L=130MM 12V DC [C]	REPLACE P6-P7-P8-P9- P11-P12	2/11/2019	
00P8	LA71500150		GLASS PLATE [C]			2/8/2019
00P9	LA11401440		LAMP COVER [C]			2/8/2019
00P9	LA65270590		LED LAMP L=130MM 12V DC [C]	REPLACE P6-P7-P8-P9- P11-P12	2/11/2019	
0P10	LA66110320		DOOR LIGHTS CABLE SET [C] MV101-102			2/8/2019
0P10	LA66115810		CABLAGGIO LUCI PORTA MV101-102.		2/11/2019	
0P11	LA65270450		LAMP HOLDER [C]			2/8/2019
0P11	LA65270590		LED LAMP L=130MM 12V DC [C]	REPLACE P6-P7-P8-P9- P11-P12	2/11/2019	
0P12	LA65270020		BULB [C] 12V 20W G4			2/8/2019
0P12	LA65270590		LED LAMP L=130MM 12V DC [C]	REPLACE P6-P7-P8-P9- P11-P12	2/11/2019	
0P13	LAR65260752		LIGHT CONTACT [C] SR.2014 - FLOOR OVEN			
0P14	LA61600031	LAR61600031	GASKET [C] D. 3,2			
0P15	LAR71202190		GLASS PLATE [C]			
0P15	LAR71202190A		GLASS PLATE [C]	PER PORTA INCERNIERATA A DX- FOR RIGHT HINGED DOOR		
0P16	LA11423460	LAR11423460	PROTECTION [C] DOOR GLASS K E T 2011			
0P17	LAR70050180		SPACER [C] GLASS PLATE 15X8			
0P18	LAR17406230		GLASS BLOCK [C]		8/13/2018	

Pos.	Code	Previous code	Description	Notes	From:	To:
0P18	LAR58001780		CATCH [C] DOOR GLASS			8/10/2018
0P19	LA58001770	LAR58001770	PIN [C] GLASS HINGE SR2000			
0P1b	LAR14175110		PORTA CONTR.COMPLETA AR_N084 C/ TANICHE PORTA CONTR.COMPLETA AR_N084 C/TANICHE	HALOGEN		2/8/2019
0P1b	LAR14182680		PORTA CONTR.COMPLETA AR_N084 C/ TAN LED PORTA CONTR.COMPLETA AR_N084 C/TAN LED	LED	2/11/2019	
0P20	LA58001760	LAR58001760	HINGE [C]			
0P21	LAR65265100		MICROSWITCH [C] DOOR			
0P22	LAR69180220		DOOR CONTAINER [C] N/S071-101 2014			
0P23	LA69180011		WATER DRAIN [C] CONTAINER			
0P24	LA61620132	LAR61620132	SPRING [C] PRONG HOOK			
0P25	LA69010260	LAR69010260	PRONG [C]			
0P26	LAR69010270		DOOR LATCH 2 STEP [C]			
0P27	LA11420660	LAR11420660	FLANGE [C]			
0P28	LA67017890		DOOR COVER [C] N071/101 W/TANK			
0P2b	LAR14204090A		PORTA ESTERNA CONTRARIA AR_N084 C/TAN	HALOGEN		2/8/2019
0P2b	LAR14204090G		PORTA ESTERNA CONTR.AR_N084 C/TAN LED	LED	2/11/2019	
0P3b	LA67017081		RIVESTIMENTO PORTA S/MAN. AR_N084R			
P22b	LAR14202061		TRAY [C] LH DOOR N/S071-101 2014			
P23b	LA11202240	LAR11202240	WATER DRAIN [C] CONTAINER SR2000			
P28b	LA67017890		DOOR COVER [C] N071/101 W/TANK			



Warning! The exploded views refer to the general model

TAV. B - NAA - SCS

Pos.	Code	Previous code	Description	Notes	From:	To:
OP1A	LAR14162750		AUTOMATIC DOOR [C] NA_101			
OP2A	LAR14218090A		PORTA ESTERNA AR_N084 APERT.AUTOMATICA PORTA ESTERNA AR_N084 APERT.AUTOMATICA			
OP3A	LA67017081		RIVESTIMENTO PORTA S/MAN. AR_N084R			
OP4A	LA14218140	LAR14218140	COVER [C]			
OP5A	LA11401450		FLANGE [C] BULB GLASS			
OP6A	LA70044200		GASKET [C] BULB GLASS P2000			
OP7A	LA71500150		GLASS PLATE [C]			
OP8A	LA11401440		LAMP COVER [C]			
OP9A	LA65270020		BULB [C] 12V 20W G4			
P10A	LA66110320		DOOR LIGHTS CABLE SET [C] MV101-102			
P11A	LA65270450		LAMP HOLDER [C]			
P12A	LAR65260752		LIGHT CONTACT [C] SR.2014 - FLOOR OVEN			
P13A	LA61600031	LAR61600031	GASKET [C] D. 3,2			
P14A	LA69180011		WATER DRAIN [C] CONTAINER			
P15A	LAR69180220		DOOR CONTAINER [C] N/S071-101 2014			
P16A	LAR71202190		GLASS PLATE [C]			
P17A	LA58001770	LAR58001770	PIN [C] GLASS HINGE SR2000			
P18A	LA58001760	LAR58001760	HINGE [C]			
P19A	LA11423460	LAR11423460	PROTECTION [C] DOOR GLASS K E T 2011			
P20A	LAR70050180		SPACER [C] GLASS PLATE 15X8			
P21A	LAR17406230		GLASS BLOCK [C]		8/13/2018	
P21A	LAR58001780		CATCH [C] DOOR GLASS			8/10/2018
P22A	LA14218130		PIN [C]			
P23A	BN1412083		RIGHT SPRING BLIND DOORS CABINETS			
P24A	LA14402400		UPPER HINGE [C] FOR DOOR N/S 2014			
P25A	LA58007180	LAR58007180	LOWER PIN [C] HINGE			
P26A	LA61660110	LAR61660110	FORK [C]			
P27A	LA61660120	LAR61660120	AXIAL CONNECTOR [C] SM6			
P28A	LA65090310	LAR65090310	ACTUATOR [C]			
P29A	LAR85340022D		STEEL CABLE [C] FOR AUTOMATIC DOOR			
P30A	LA11420660	LAR11420660	FLANGE [C]			
P33A	LAR69010850		PRONG [C] L. 28,5			6/8/2014
P33A	LAR69010860		PRONG [C] L. 28,5		6/9/2014	

Pos.	Code	Previous code	Description	Notes	From:	To:
P34A	LA58007220	LAR58007220	CATCH [C] SPRING			
P35A	LA61620132	LAR61620132	SPRING [C] PRONG HOOK			6/8/2014
P35A	LA61620152	LAR61620152	SPRING [C] PRONG HOOK		6/9/2014	
P36A	LA58007170	LAR58007170	SUPPORT [C] SPRING TRIP WITH LEVER			
P37A	LA58007200	LAR58007200	BUSH [C] EXTERNAL AUTOM. RELEASE			
P39A	LAR65265100		MICROSWITCH [C] DOOR			
P40A	LA67016871		BUTTON [C] AUTOMATIC DOOR N RELOADED			
P41A	LA65210020	LAR65210020	FUSE CARRIER [C] 5X20			
P42A	LA61660130	LAR61660130	TERMINAL [C]			
P43A	LA65301760	LAR65301760	DIODE BRIDGE [C]			
P44A	LA65170100	LAR65170100	RELAY [C]			

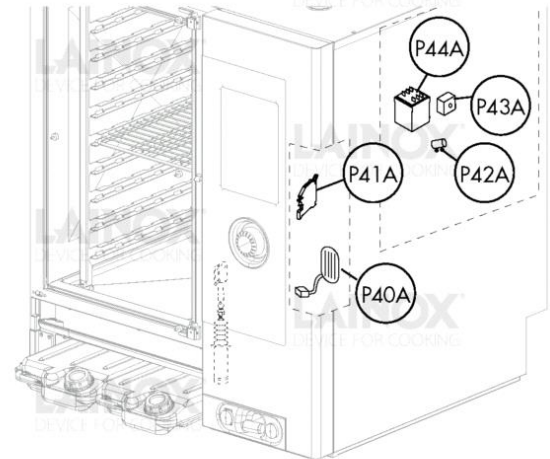
LAINOX
DEVICE FOR COOKING

LAINOX
DEVICE FOR COOKING

LAINOX
DEVICE FOR COOKING

LAINOX
DEVICE FOR COOKING

LAINOX
DEVICE FOR COOKING



LAINOX
DEVICE FOR COOKING

LAINOX
DEVICE FOR COOKING

LAINOX
DEVICE FOR COOKING

LAINOX
DEVICE FOR COOKING

LAINOX
DEVICE FOR COOKING

LAINOX
DEVICE FOR COOKING

LAINOX
DEVICE FOR COOKING

LAINOX
DEVICE FOR COOKING

LAINOX
DEVICE FOR COOKING

LAINOX
DEVICE FOR COOKING

LAINOX
DEVICE FOR COOKING

LAINOX
DEVICE FOR COOKING

LAINOX
DEVICE FOR COOKING

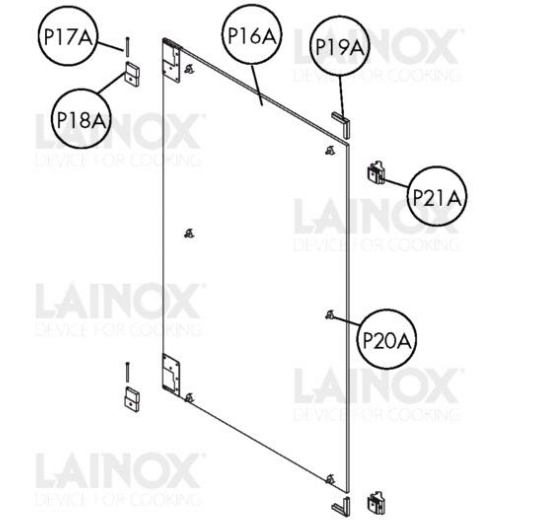
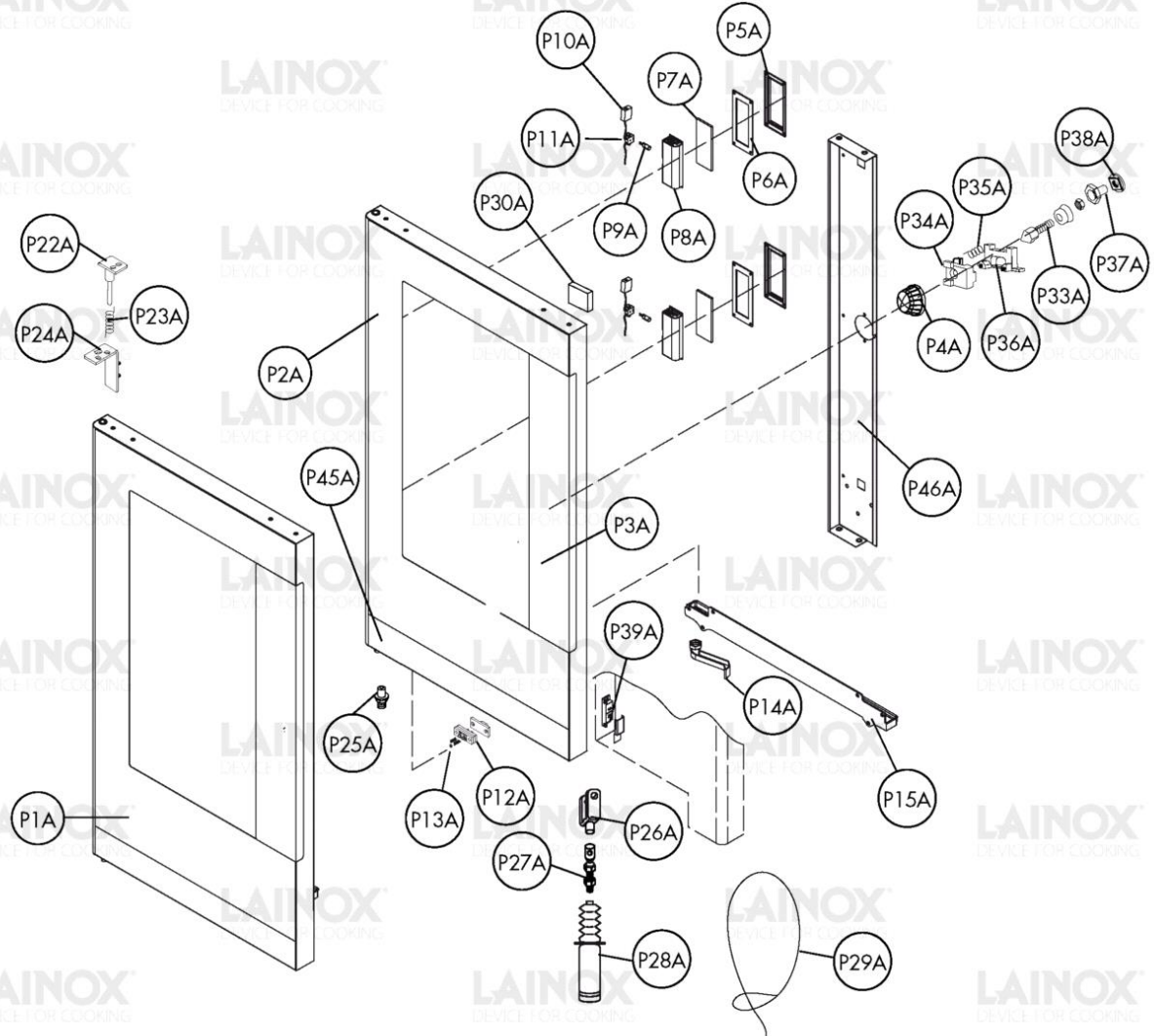
LAINOX
DEVICE FOR COOKING

LAINOX
DEVICE FOR COOKING

LAINOX
DEVICE FOR COOKING

LAINOX
DEVICE FOR COOKING

LAINOX
DEVICE FOR COOKING

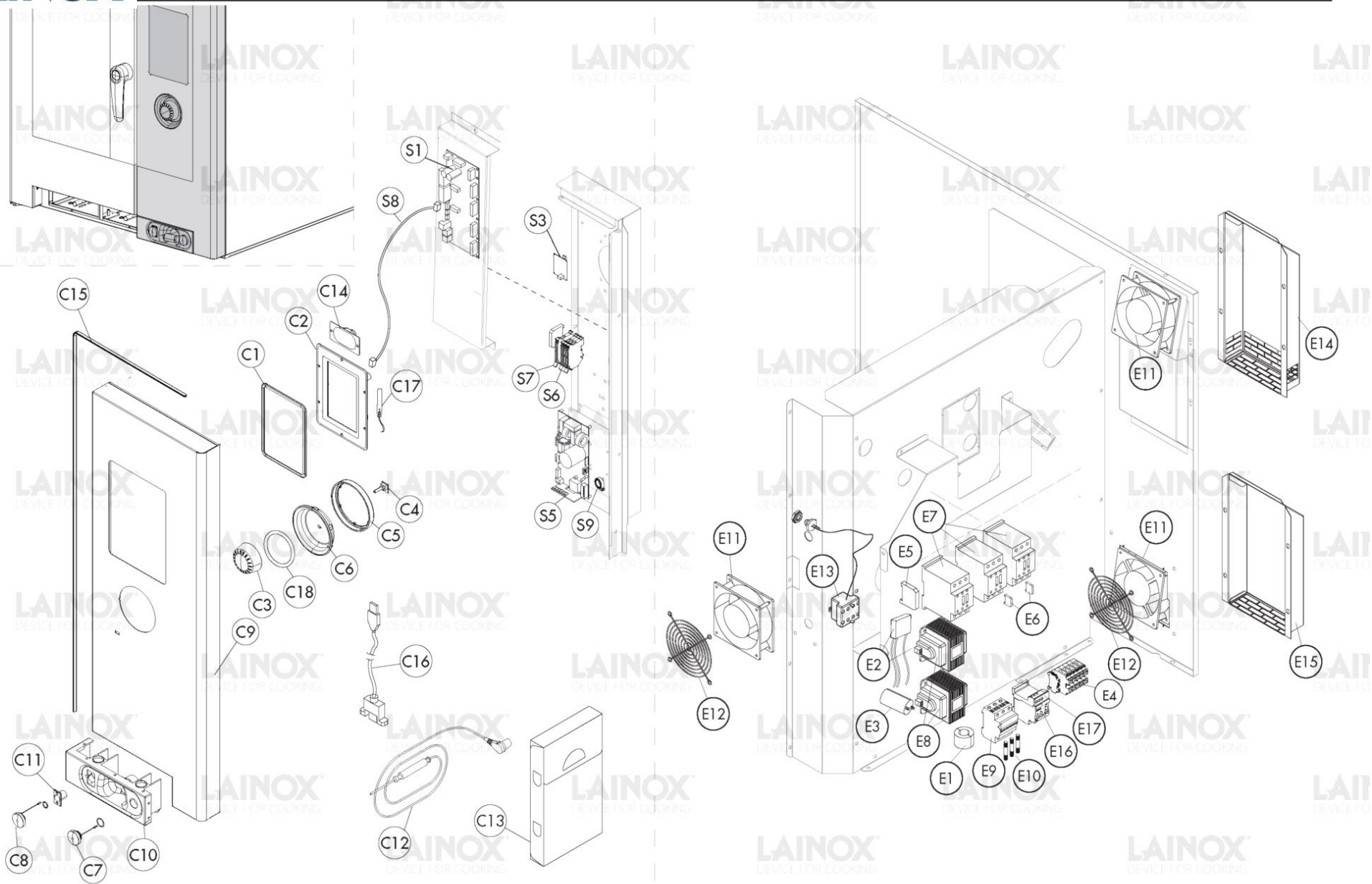


Warning! The exploded views refer to the general model

TAV. B - NAA - LCS

Pos.	Code	Previous code	Description	Notes	From:	To:
OP1A	LAR14173610		PORTA AUTOMATICA COMPLETA AR_N084 C/TAN. PORTA AUTOMATICA COMPLETA AR_N084 C/TAN.	HALOGEN		2/8/2019
OP1A	LAR14182640		PORTA AUTOMAT.COMPLETA AR_N084 C/TAN LED PORTA AUTOMAT.COMPLETA AR_N084 C/TAN LED	LED	2/11/2019	
OP2A	LAR14204020A		OUTER DOOR [C] AR_N084 WITH TANKS	HALOGEN		2/8/2019
OP2A	LAR14204020G		PORTA ESTERNA AR_N084 C/TAN LED AP.AUT. PORTA ESTERNA AR_N084 C/TAN LED AP.AUT.	LED	2/11/2019	
OP3A	LA67017081		RIVESTIMENTO PORTA S/MAN. AR_N084R			
OP4A	LA14218140	LAR14218140	COVER [C]			
OP5A	LA11401450		FLANGE [C] BULB GLASS			2/8/2019
OP5A	LA65270590		LED LAMP L=130MM 12V DC [C]	REPLACE P5A-P6A-P7A-P8A-P9A-P11A	2/11/2019	
OP6A	LA65270590		LED LAMP L=130MM 12V DC [C]	REPLACE P5A-P6A-P7A-P8A-P9A-P11A	2/11/2019	
OP6A	LA70044200		GASKET [C] BULB GLASS P2000			2/8/2019
OP7A	LA65270590		LED LAMP L=130MM 12V DC [C]	REPLACE P5A-P6A-P7A-P8A-P9A-P11A	2/11/2019	
OP7A	LA71500150		GLASS PLATE [C]			2/8/2019
OP8A	LA11401440		LAMP COVER [C]			2/8/2019
OP8A	LA65270590		LED LAMP L=130MM 12V DC [C]	REPLACE P5A-P6A-P7A-P8A-P9A-P11A	2/11/2019	
OP9A	LA65270020		BULB [C] 12V 20W G4			2/8/2019
OP9A	LA65270590		LED LAMP L=130MM 12V DC [C]	REPLACE P5A-P6A-P7A-P8A-P9A-P11A	2/11/2019	
P10A	LA66110320		DOOR LIGHTS CABLE SET [C] MV101-102			2/8/2019
P10A	LA66115810		CABLAGGIO LUCI PORTA MV101-102.		2/11/2019	
P11A	LA65270450		LAMP HOLDER [C]			2/8/2019
P11A	LA65270590		LED LAMP L=130MM 12V DC [C]	REPLACE P5A-P6A-P7A-P8A-P9A-P11A	2/11/2019	
P12A	LAR65260752		LIGHT CONTACT [C] SR.2014 - FLOOR OVEN			
P13A	LA61600031	LAR61600031	GASKET [C] D. 3,2			
P14A	LA69180011		WATER DRAIN [C] CONTAINER			
P15A	LAR69180220		DOOR CONTAINER [C] N/S071-101 2014			
P16A	LAR71202190		GLASS PLATE [C]			
P17A	LA58001770	LAR58001770	PIN [C] GLASS HINGE SR2000			
P18A	LA58001760	LAR58001760	HINGE [C]			
P19A	LA11423460	LAR11423460	PROTECTION [C] DOOR GLASS K E T 2011			

Pos.	Code	Previous code	Description	Notes	From:	To:
P20A	LAR70050180		SPACER [C] GLASS PLATE 15X8			
P21A	LAR17406230		GLASS BLOCK [C]		8/13/2018	
P21A	LAR58001780		CATCH [C] DOOR GLASS			8/10/2018
P22A	LA14218130		PIN [C]			
P23A	BN1412083		RIGHT SPRING BLIND DOORS CABINETS			
P24A	LA14402400		UPPER HINGE [C] FOR DOOR N/S 2014			
P25A	LA58007180	LAR58007180	LOWER PIN [C] HINGE			
P26A	LA61660110	LAR61660110	FORK [C]			
P27A	LA61660120	LAR61660120	AXIAL CONNECTOR [C] SM6			
P28A	LA65090310	LAR65090310	ACTUATOR [C]			
P29A	LAR85340022D		STEEL CABLE [C] FOR AUTOMATIC DOOR			
P30A	LA11420660	LAR11420660	FLANGE [C]			
P33A	LAR69010850		PRONG [C] L. 28,5			6/8/2014
P33A	LAR69010860		PRONG [C] L. 28,5		6/9/2014	
P34A	LA58007220	LAR58007220	CATCH [C] SPRING			
P35A	LA61620132	LAR61620132	SPRING [C] PRONG HOOK			6/8/2014
P35A	LA61620152	LAR61620152	SPRING [C] PRONG HOOK		6/9/2014	
P36A	LA58007170	LAR58007170	SUPPORT [C] SPRING TRIP WITH LEVER			
P37A	LA58007200	LAR58007200	BUSH [C] EXTERNAL AUTOM. RELEASE			
P39A	LAR65265100		MICROSWITCH [C] DOOR			
P40A	LA67016871		BUTTON [C] AUTOMATIC DOOR N RELOADED			
P41A	LA65210020	LAR65210020	FUSE CARRIER [C] 5X20			
P42A	LA61660130	LAR61660130	TERMINAL [C]			
P43A	LA65301760	LAR65301760	DIODE BRIDGE [C]			
P44A	LA65170100	LAR65170100	RELAY [C]			
P45A	LA67017890		DOOR COVER [C] N071/101 W/TANK			

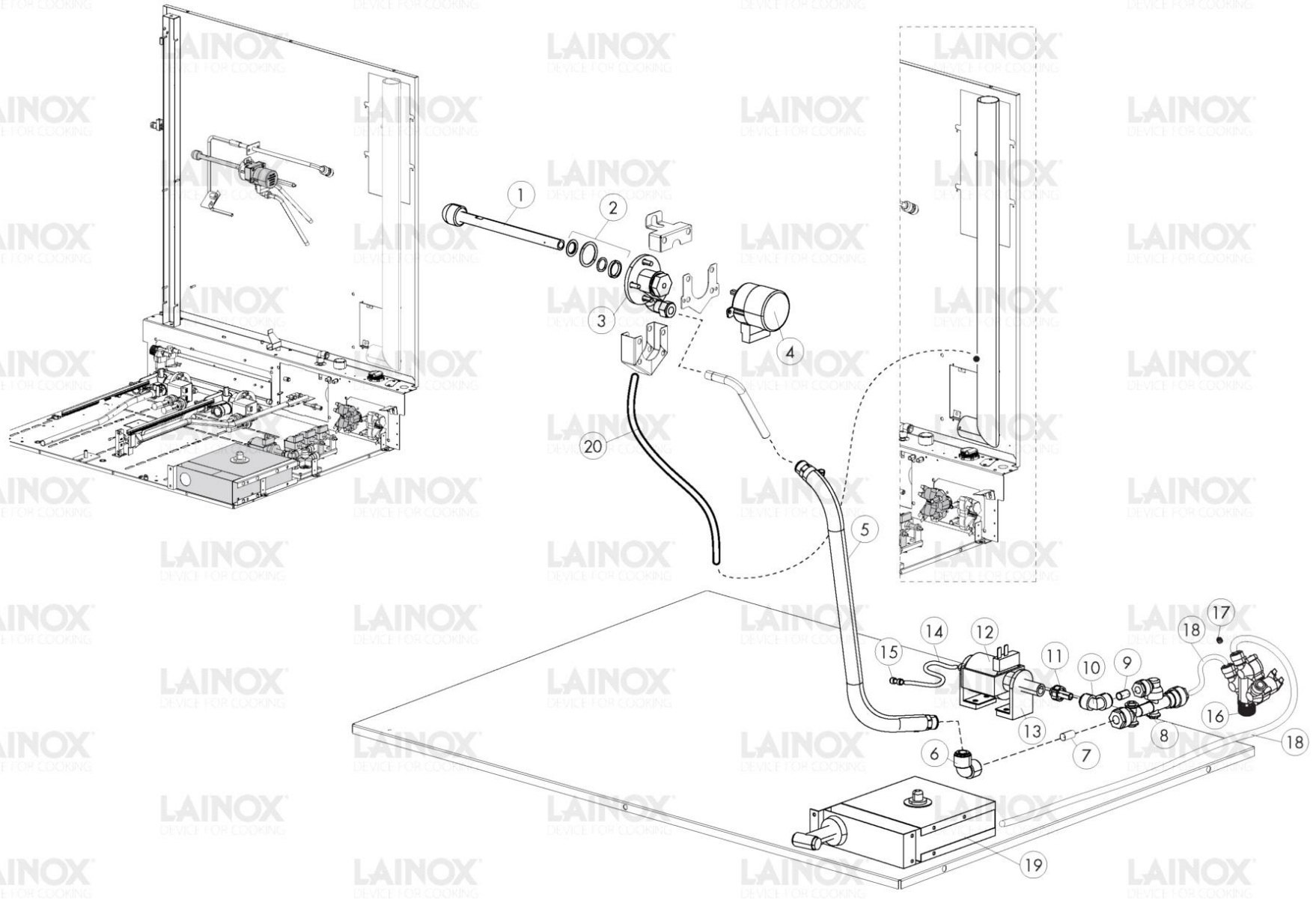


Warning! The exploded views refer to the general model

TAV. C

Pos.	Code	Previous code	Description	Notes	From:	To:
00C1	LA70040030	LAR70040030	GASKET [C] GLASS CONTROL PANEL BOARD N 2014			
00C2	LA65302492	LAR65302490	BOARD [C] DISPLAY NABOO + BLACK PASTIC FRAME SOM E			
00C3	LA69030241		ENCODER KNOB [C] D.70 BLACK N			
00C4	LA65302501		ENCODER [C] PUSH NABOO [C] + WIRE L= 60CM			
00C5	LA69030330	LAR69030330	COUNTER FLANGE [C]			
00C6	LA69030320	LAR69030320	RING NUT [C] D. 116			
00C7	LA65321310	LAR65321310	CAP [C] USB SOCKET			
00C8	LA65321331		ASS.TAPPO PER PRESA SONDA A/C N/S 2020			
00E1	LAR65280510		FERRITE TOROIDALE FT58			
00E2	LA65280250	LAR65280250	POWER FILTER [C]			
00E3	LA65280240	LAR65280240	ELECTROMECHANICAL FILTER [C]			
00E4	LA65220290	LAR65220290	TERMINAL BLOCK [C]			
00E5	LA65140430	LAR65140430	CONTACT [C]			1/29/2017
00E5	LA65140940	LAR65140940	CONTACT [C] 1L+1R 3RH2921-1DA11		1/30/2017	
00E6	LA65140970	LAR65140970	LIMITING DEVICE [C]		1/30/2017	
00E6	LA65147110	LAR65147110	LIMITING DEVICE [C]			1/29/2017
00E7	LA65140400	LAR65140400	CONTACTOR [C] 3RT1025-1AL20			1/29/2017
00E7	LA65140910		CONTACTOR [C] 3RT2025-1AL20		1/30/2017	
00E8	LA65180430		TRANSFORMER [C] 40VA 0-220-240/12V			
00E8	LA65187110		TRANSFORMER [C] 40VA 2.5/12/24V	UL Version (USA-CAN)		
00E8	LA65187260		BALLAST [C] LED APV-12-12	LED (ONLY FOR T3)	2/11/2019	
00E9	LAR65210110		PORTAFUSIBILE BUSMANN BCC3X38 (2306338)	UL Version (USA-CAN)		
00S1	LA65302481		MAIN BOARD [C] NABOO			
00S3	LA65302530	LAR65302530	EXPANSION BOAD [C] WASHING NABOO			
00S5	LAR65140090		INVERTER [C] 0,8KW UL	UL Version (USA-CAN)		
00S5	LAR65140100		INVERTER 0,8 KW		4/1/2018	
00S5	LAR65141040		INVERTER [C] 0.8KW			3/30/2018
00S6	LA65210020	LAR65210020	FUSE CARRIER [C] 5X20			
00S7	LA65210050	LAR65210050	FUSE CARRIER [C] 6,3X32			
00S8	LA65301750	LAR65301750	CONNECTING CABLE [C]			
00S9	LA65280480	LAR65280480	FERRITE [C]			
0C10	LA14402070	LAR14402070	CONNECTIONS FRAME [C]			
0C11	LA65321360	LAR65321360	F-CONNECTOR [C] FOR CORE PROBE L. 1000			

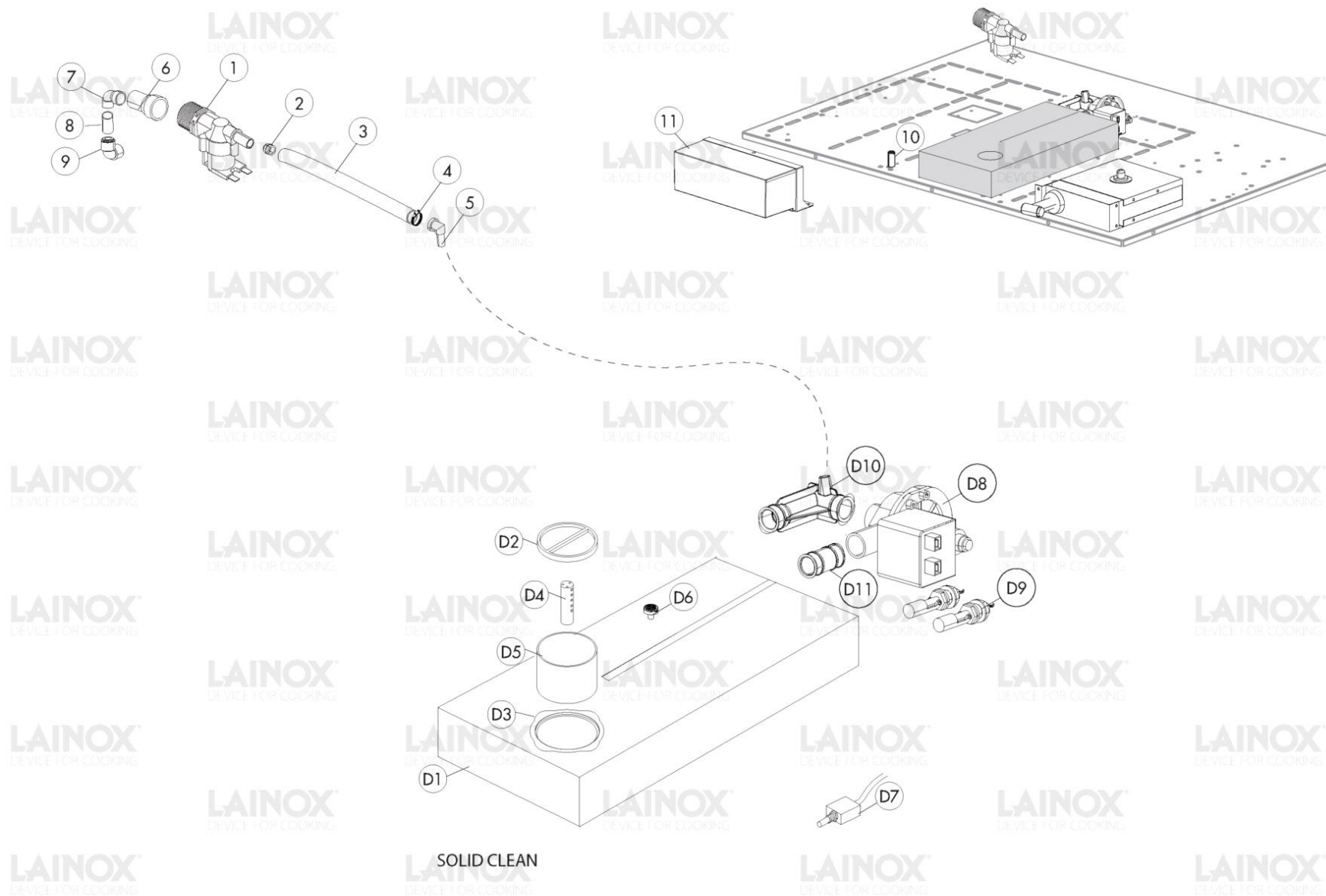
Pos.	Code	Previous code	Description	Notes	From:	To:
0C12	LA65321500		CORE PROBE [C] 4 POINTS 6 PLUG			
0C13	LA86020400		CORE TEMPERATURE PROBE BOX [C]			
0C14	LA65330060	LAR65330060	LOUDSPEAKER [C]			
0C15	LAR80100101		PROFILO GUARNIZIONE NERO 2CRISTALLI 5M			
0C16	LA65302600	LAR65302600	CONNECTING CABLE [C] BOARD/USB OUTLET L. 850			
0C17	LAR65303030		ADHESIVE ANTENNA [C] BOARD NA 2014			
0C18	LA70010290	LAR70010290	GASKET [C] 115X2,5			
0E10	LAR65200400		FUSIBILE X MOT. KTK-R-6 600V 6A CL. CC	UL Version (USA-CAN)		
0E11	LA65060050	LAR65060050	FAN [R] D. 120 4715MS 23T			
0E12	LAR75300020		PLATE [C] FAN D. 120			
0E13	LA65070350	LAR65070350	THERMOSTAT [C] 360Å°C-25K			
0E13	LA65070370		THERMOSTAT [C] 360Å°C	UL Version (USA-CAN)		
0E14	LA14424581		OUTER BOX AIR CONVEYOR			
0E15	LA14441331		BOX [C] AIR CONVEYOR BACK PANEL T10 2016			
0E17	LA65160810	LAR65160810	THERMIC SUPPORT	UL Version (USA-CAN)		



Warning! The exploded views refer to the general model

TAV. D

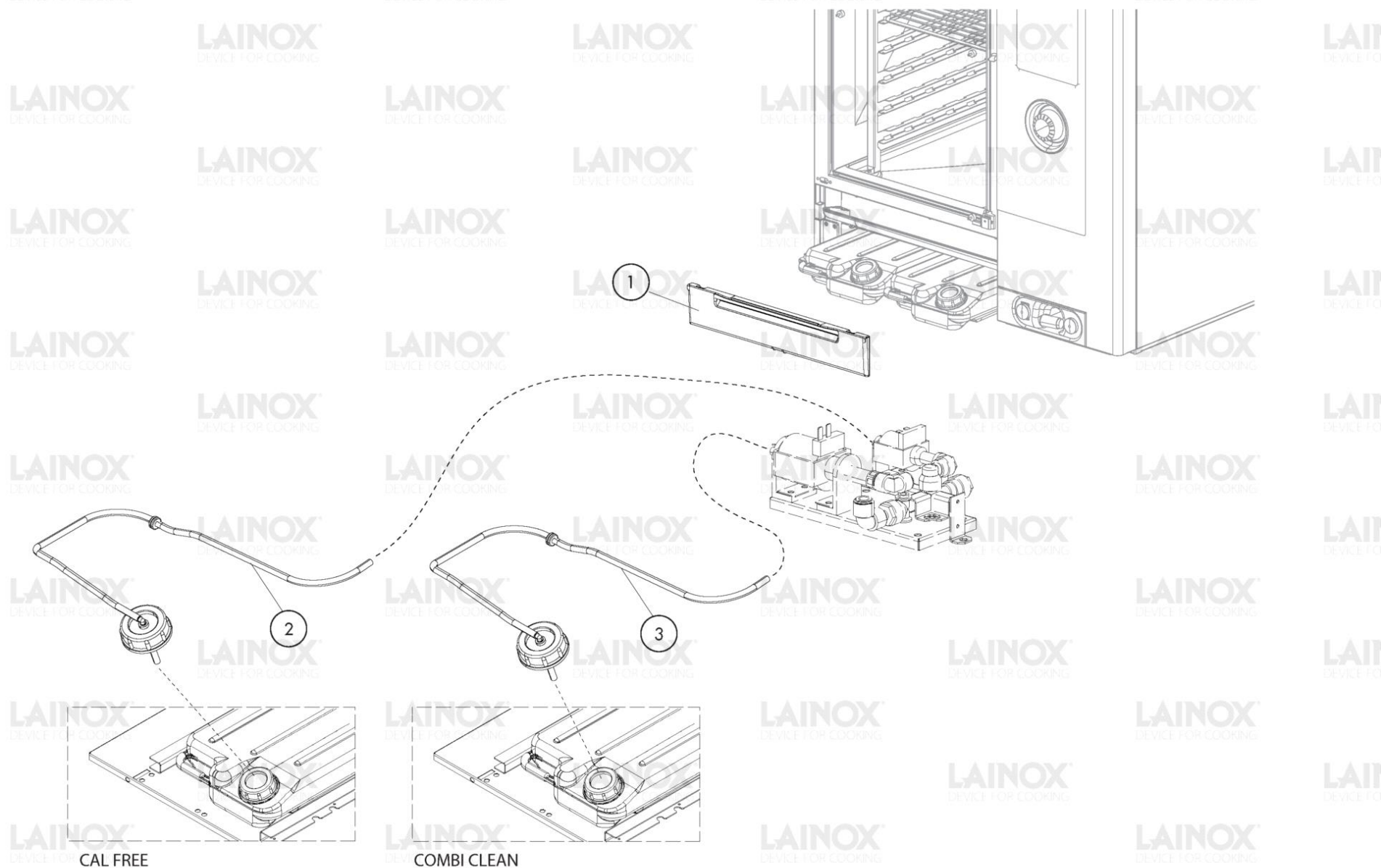
Pos.	Code	Previous code	Description	Notes	From:	To:
0001	LAR58007080		WASHING HEAD [C] L=160 (1/1)			
0002	LAR70045120		GASKET [W] MOB WASHING			
0003	LAR58007020		FLANGE [C] MOB WASHING			
0004	LAR65090260		GEARMOTOR [C]			
0005	LA14170300		KIT DETERGENT WASHING PIPE [C] N/ S071-101-072-102			
0006	LA62090478	LAR62090478	INTERMEDIATE CURVED CONNECTOR [C] D. 10			
0007	LA80150000		LIGHT BLUE POLYETHYL PIPE D. 10X7MM			
0008	LA62090888	LAR62090888	MANIFOLD [C]		7/7/2014	
0009	LA80150020	LAR80150020	TRANSPARENT POLIURETHANE PIPE [C] D. 8X6MM			
0010	LA62090498	LAR62090498	INTERMEDIATE CURVED CONNECTOR [C] D. 8			
0011	LA62090608	LAR62090608	END SIDE PIPE [C]			
0012	LAR65110600		PUMP [C] WITH OSCILLATING PISTON			
0013	LA65110610		PUMP SUPPORT [C] ET500/8			
0014	LA80150020	LAR80150020	TRANSPARENT POLIURETHANE PIPE [C] D. 8X6MM			
0015	LA62090878	LAR62090878	INTERMEDIATE STRAIGHT CONNECTOR [C] D. 8			
0016	LAR65110240		SOLENOID VALVE [C] 220V 50HZ 3 OUTLETS JG CONNECTION			3/2/2015
0016	LAR65110360		DOUBLE SOLENOID VALVE 3 WAY D.10		3/3/2015	
0016	LAR65110790		SOLENOID VALVE [C] 230V 50/60HZ	UL Version (USA-CAN)		
0018	LA80150000		LIGHT BLUE POLYETHYL PIPE D. 10X7MM			
0019	LA62200172	LAR62200172	SHOWER HEAD [C] N071/101/072/102 2014			
0020	LA80120060	LAR80120060	TRANSPARENT SILICONE PIPE [C] SR60/ TR 7/12			



Warning! The exploded views refer to the general model

TAV. E - SCS

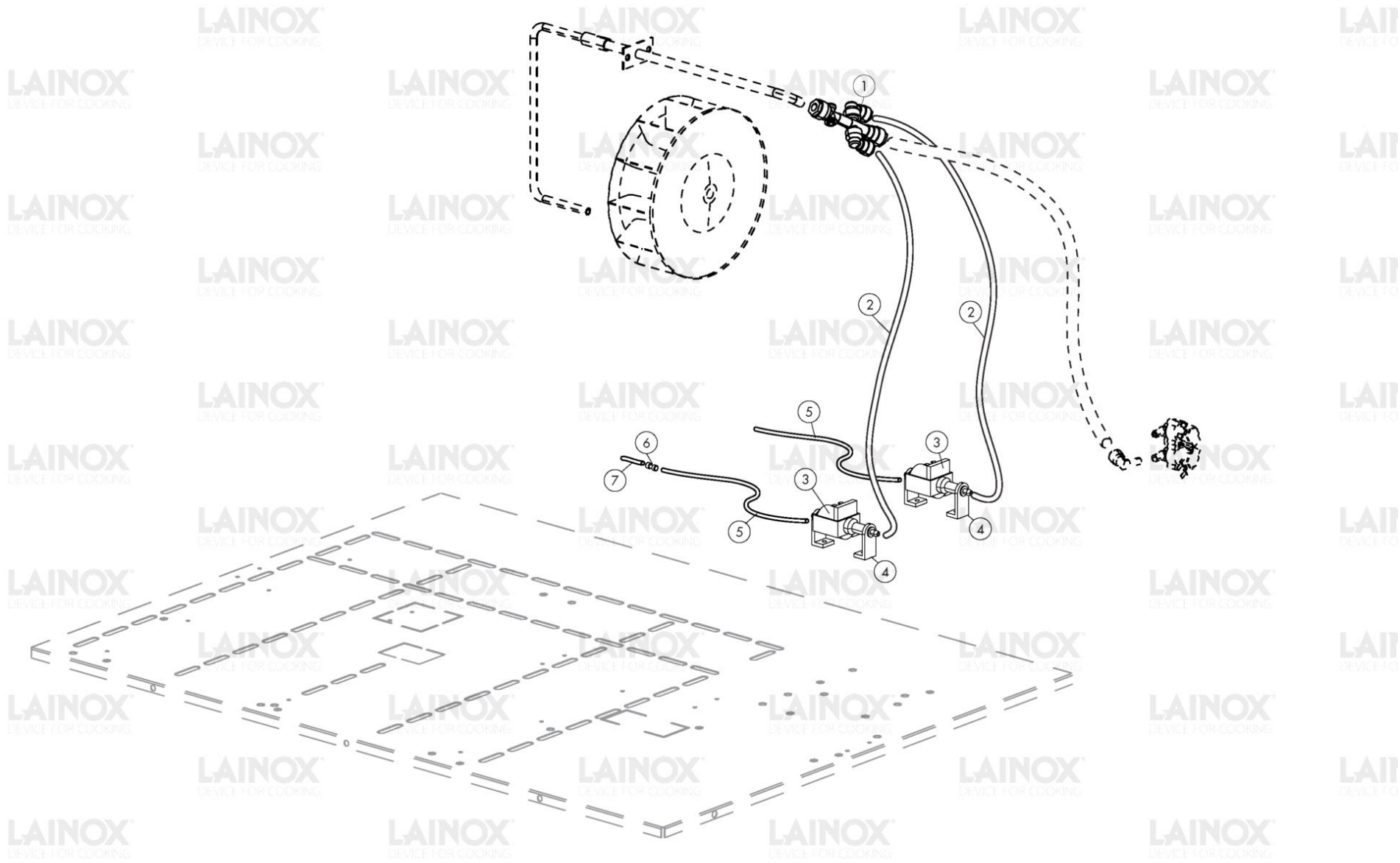
Pos.	Code	Previous code	Description	Notes	From:	To:
0001	LA65110200	LAR65110200	SOLENOID VALVE [C] 220V 50HZ 1 OUTLET JG CONNECTION			
0001	LA65110530	LAR65110530	MASS FLOW PURPLE REGULATOR [C] 2L/ MIN			
0003	LA80120060	LAR80120060	TRANSPARENT SILICONE PIPE [C] SR60/ TR 7/12			
0004	LA61630121	LAR61630121	SPRING BAND [C] D. 13,7MM			
0005	LA62090938	LAR62090938	CONNECTOR [C] D.8			
0006	LA65110690	LAR65110690	CONNECTOR [C]			
0007	LA62090528	LAR62090528	CURVED CONNECTOR [C] 10X10			
0008	LA80150000		LIGHT BLUE POLYETHYL PIPE D. 10X7MM			
0009	LA62090478	LAR62090478	INTERMEDIATE CURVED CONNECTOR [C] D. 10			
0010	LA58006960		PERNO A,9 DIVIS.CASSETTI N/S 071-101 2014			
0011	LA69040070	LAR69040070	FALSE DRAWER [C]			
00D1	LAR14162580		COMPLETE DETERGET DRAWER [C]	50Hz		
00D1	LAR14166020		COMPLETE DETERGET DRAWER [C]	60Hz		
00D2	LA69040040	LAR69040040	CAP [C] N/S 2014 D. 90			
00D3	LA69040021		RING NUT [C] D.90			
00D4	LA69040050	LAR69040050	VAPORISER [C]			
00D5	LA69040060	LAR69040060	FILTER [C] WASHING DRAWERS N/S 2014			
00D6	LAR62090718		AIR FILTER [C]			
00D7	LAR65260900K		MICROSWITCH DRAWER SOLID CLEAN			
00D8	LA65110301		POMPA SINCR.220V50HZ30W(GRE MOD.931)2021	50Hz		
00D8	LA65110310	LAR65110310	PUMP [C] 220V 60HZ	60Hz		
00D9	LA65260910	LAR65260910	CONTROL [C] LEVEL			
0D10	LA69040140		CONNECTOR DRAWER DETERGENT PUMP			
0D11	LA69040150		CUFF [C] PUMP DETERGENT			



Warning! The exploded views refer to the general model

TAV. F - LCS

Pos.	Code	Previous code	Description	Notes	From:	To:
0001	LA69180340		DOOR [C] REMOVABLE TANKS			
0003	LA14171791		PIPE DETERGENT TANK			



Warning! The exploded views refer to the general model

TAV. G - SMOKEGRILL

Pos.	Code	Previous code	Description	Notes	From:	To:
0001	LA62090898	LAR62090898	MANIFOLD [C]			
0002	LA80150020	LAR80150020	TRANSPARENT POLIURETHANE PIPE [C] D. 8X6MM			
0003	LAR65110620		PUMP [C] 230V 50HZ			
0004	LA65110630	LAR65110630	SUPPORT [C] PUMP			
0005	LA80150020	LAR80150020	TRANSPARENT POLIURETHANE PIPE [C] D. 8X6MM			
0006	LA62090798	LAR62090798	STRAIGHT REDUCTION [C] D. 8-6			
0007	LA80150030	LAR80150030	LLDPE PIPE [C] D. 6X4MM			