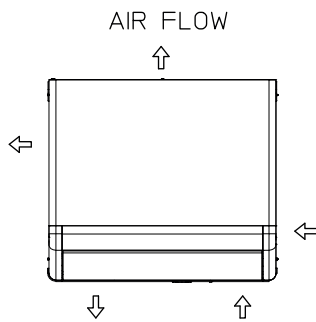
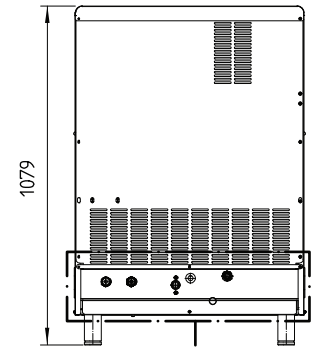
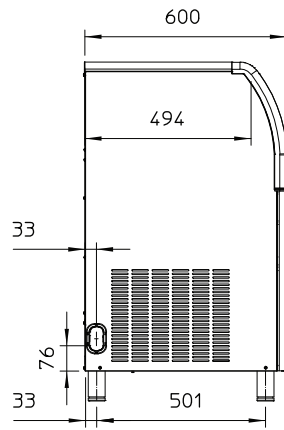
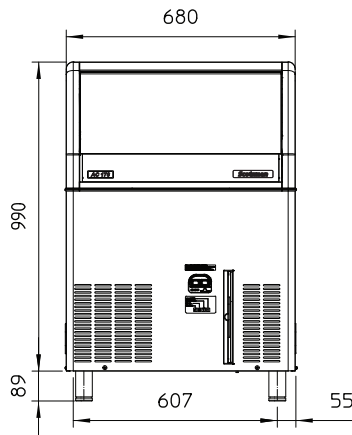


AC 176

Self Contained Ice Machine up to 95 kg

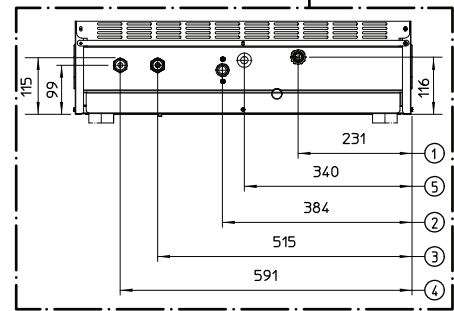
Item #:
Project:
Quantity:

Self Contained Ice Machine up to 95 kg



UNIT OF MEASUREMENT: mm

1. 25/32" OD - OVERFLOW DRAIN
2. 3/4" GAS - WATER INLET
3. 3/4" GAS - WATER OUTLET
WATER COOLED UNIT ONLY
4. 3/4" GAS - WATER INLET
WATER COOLED UNIT ONLY
5. CORD SET



UNIT DATA		Compressor		Circuit wires		Max. fuse size		
		Version	Voltage	Btu/h	W	No.	Ømm ²	A
Size (W x D x H)	680 x 600 x 1079 mm	AC L 176 AS	230/50/1	5132	1504	3	1.5	16
Net weight	70 kg	AC M 176 AS	230/50/1	5118	1500	3	1.5	16
SHIPPING DATA		AC S 176 AS	230/50/1	5118	1500	3	1.5	16
		AC L 176 WS	230/50/1	5132	1504	3	1.5	16
Carton (W x D x H)	750 x 670 x 1170 mm	AC M 176 WS	230/50/1	5118	1500	3	1.5	16
Weight	80 kg	AC S 176 WS	230/50/1	5118	1500	3	1.5	16
		AC L 176 AS	230/60/1	6142	1800	3	1.5	16
		AC M 176 AS	230/60/1	6142	1800	3	1.5	16
		AC M 176 WS	230/60/1	6142	1800	3	1.5	16
		AC S 176 WS	230/60/1	3651	1070	3	1.5	16

Version	Condensation	Voltage	24 h ice production kg °C Amb. / °C Water			Energy consumption*		Water usage*	Instant power
			10°C/10°C	21°C/10°C	32°C/21°C	kWh/100 kg	kWh/24h	l/h	W
AC L 176 AS	Air	230/50/1	71	70	58	25.9	15.0	7.9	860
AC M 176 AS	Air	230/50/1	85	83	65	25.7	16.7	7.1	900
AC S 176 AS	Air	230/50/1	70	69	55	29.1	16.0	9.6	900
AC L 176 WS	Water	230/50/1	71	70	58	25.9	15.0	79.2	610
AC M 176 WS	Water	230/50/1	85	80	68	20.6	14.0	79.2	610
AC S 176 WS	Water	230/50/1	70	69	55	29.1	16.0	79.2	760
AC L 176 AS	Air	230/60/1	85	83	65	26.0	17.0	9.6	860
AC M 176 AS	Air	230/60/1	85	83	65	26.0	17.0	9.6	900
AC M 176 WS	Water	230/60/1	95	91	77	19.8	15.2	10.8	650
AC S 176 WS	Water	230/60/1	72	66	57	32.4	18.8	87.5	750

(*) Data refer to 32°C Amb. / 21°C Water temperature conditions