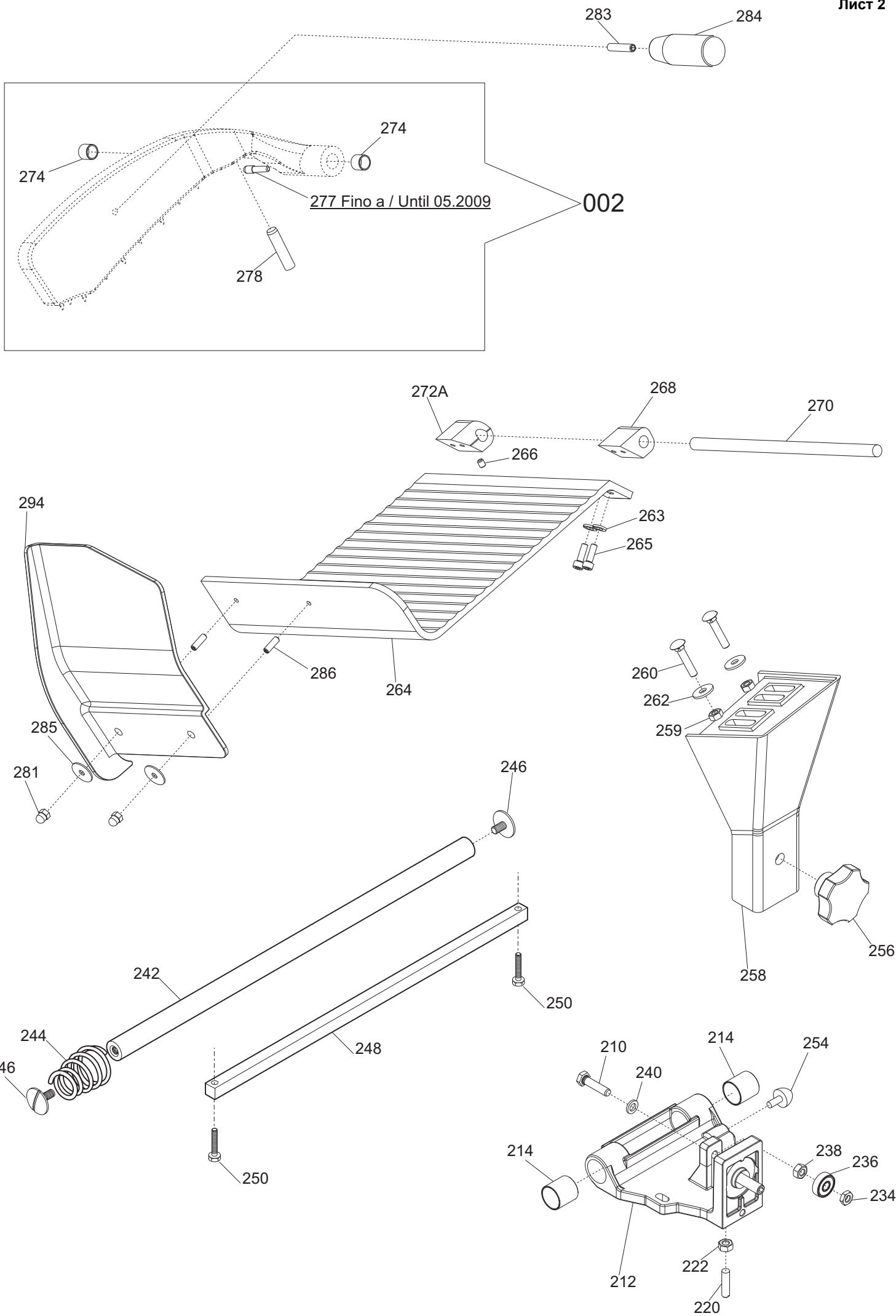
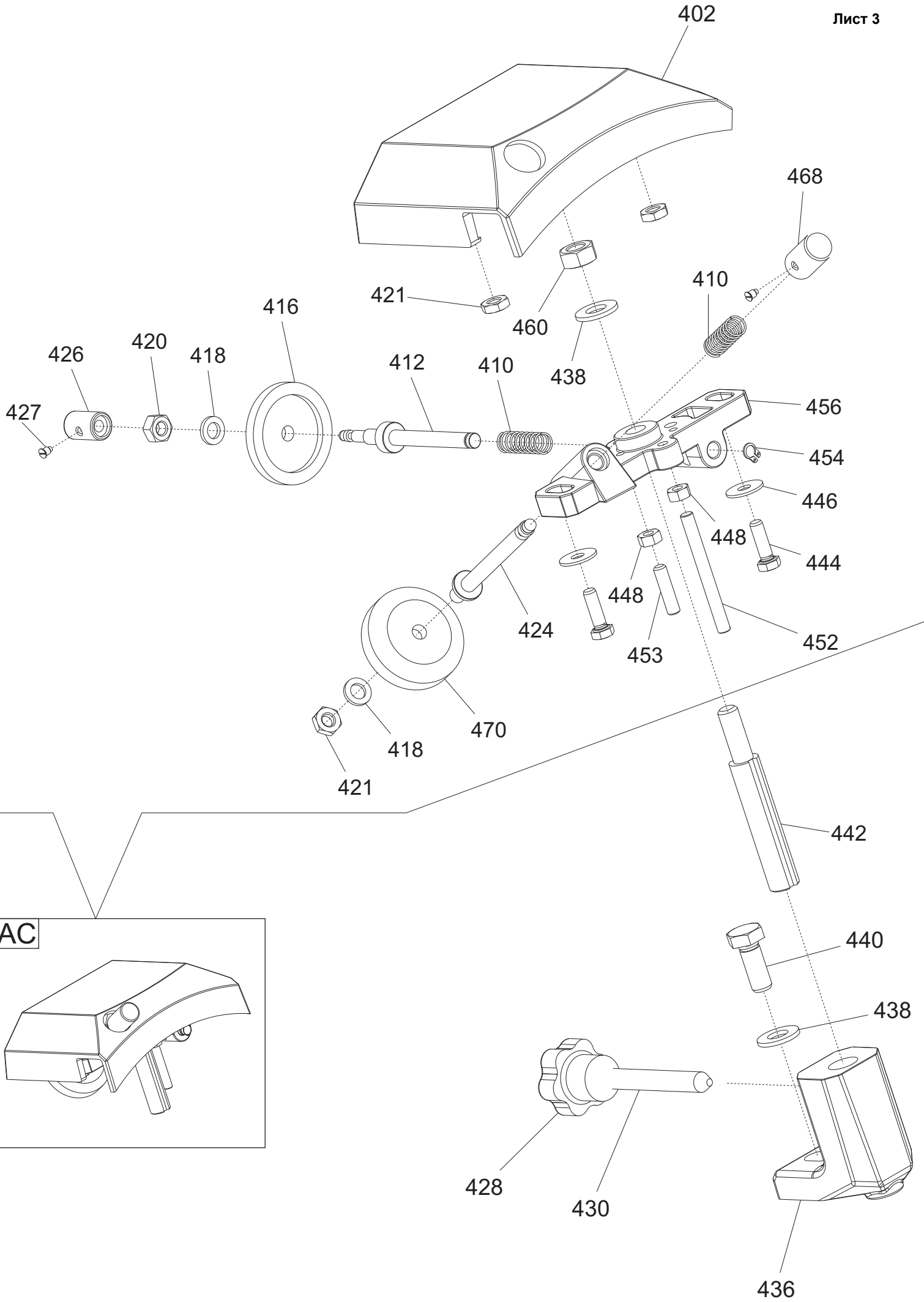


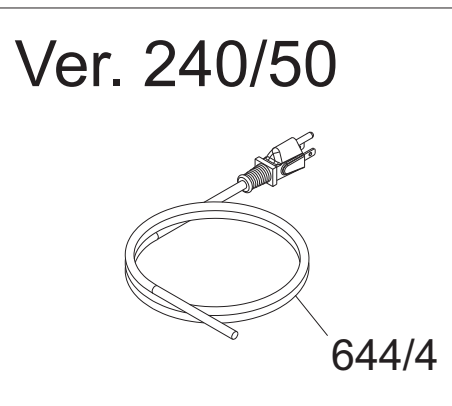
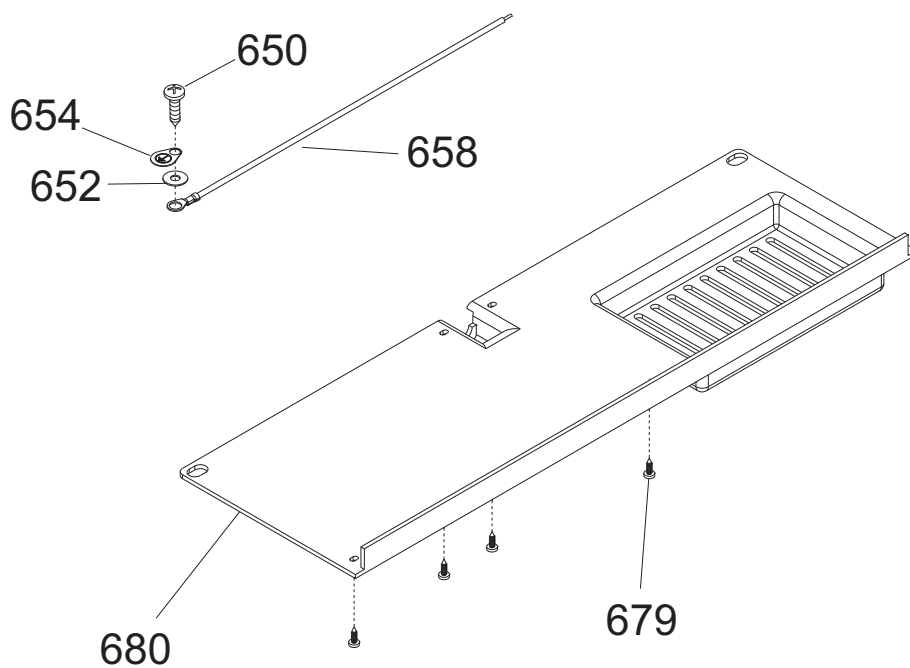
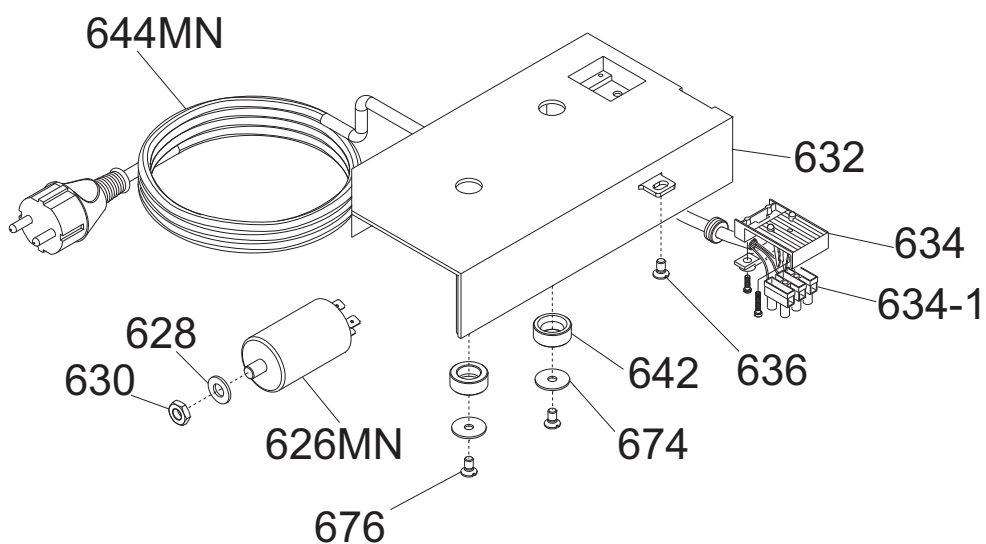
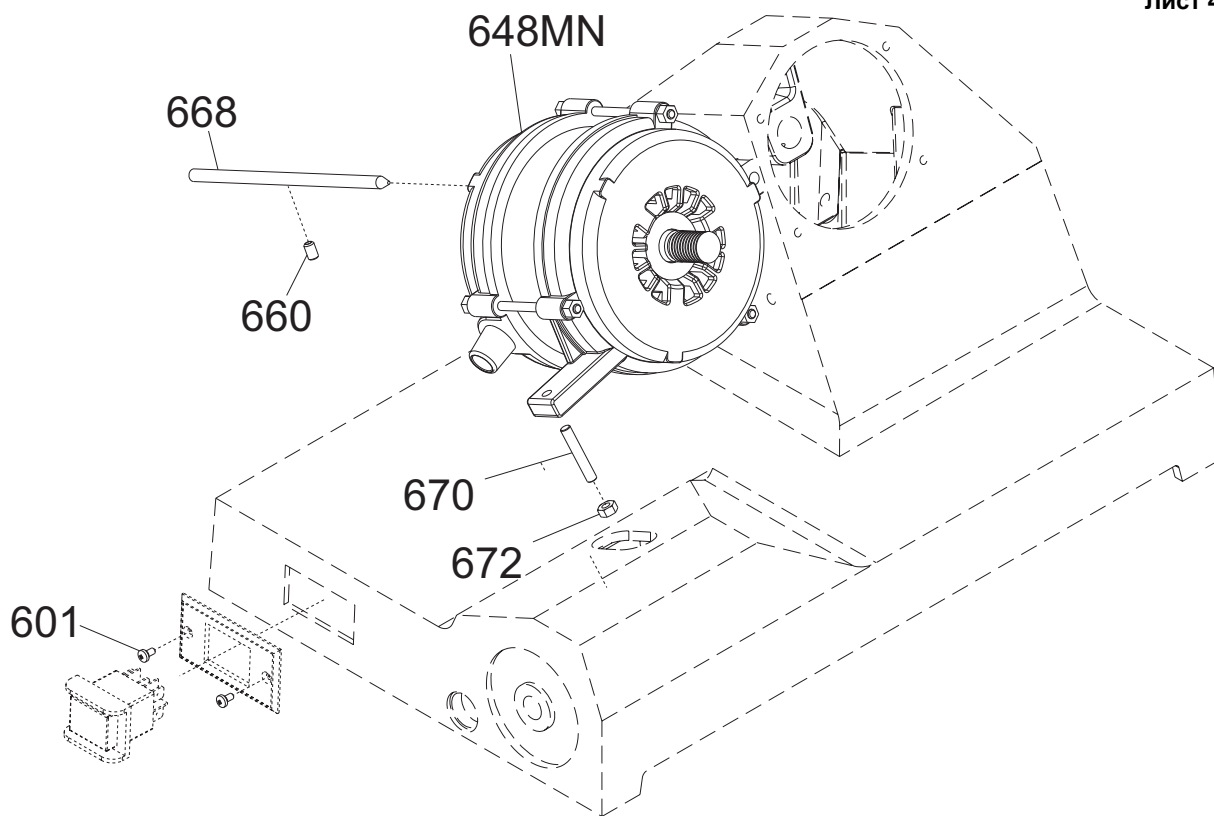
2	BASE/FRAME FOR SLICER MIRRA 220-250	19510101/01
4	FOOT M5 FOR SLICER/CUTTER	19560201
06A	BLADE GUARD FOR SLICER 275	19510206
06B	PARALAMA NO CE 275 CNV OSSIDATO	19510221
8	BLADE COVER KNOB	19021110
10	SCREW TSP-DIN 963 M 4X08	IX2963004008
12	FLATHEAD CSK SCREW DIN 963 M5 X 14	IX2963005014
14B	LOCK NUT MIRRA 300 Y09	19530930.10
14A	BLADE GUARD LOCK RING FOR SLICER	19530901
16	BLADE 275 - 40/3/218	18275403218
16T	TEFLON BLADE FOR SLICER 275	18275403218T
20	BLADE SHAFT GASKET_MIRRA 220-250	19562124
22A	BLADE SHAFT _MIRRA 220-300	19700332
22B	BLADE SHAFT _MIRRA 220-300 Y10	19700340.10
24	BELT TB2 345 X 8 _MIRRA	19310201
26	GRUB SCREW DIN 916 M 5X8 NE	NE0916005008
32	BLADE COVER TIE ROD MIRRA 220-250	19530532
34	TIE ROD KNOB M6X5 FOR MIRRA	19562502
36	PARAFETTA MRR CORT 275 SG SV	19531021
38	DEFLECTOR SCREW M5 _MIRRA	19335014
40	VELA SG 275 ESTR.MRR.NEW OSSIDAT	1,95E+11
48	SUPPORT CAP_MIRRA 220-300	19560132
52	HEX.NUT DIN 934 M 6	IX2934006
54	FIXING SCREW_MIRRA 220-250	19335060
56	WASHER LARGE DIN 9021 D 6X18	IX29021006018
58	GAUGE PLATE HOLDER _MIRRA 220-250C	19510701.18
62	LARGE WASHER	19563002
64	GAUGE PLATE SLIDE _MIRRA	19500101/01
65	MOVEMENT HEAD D8,5XHT2 FOR SLICER	19563201
66	SLIDE GUIDE _MIRRA	19540601
68	GRUB SCREW DIN 916 M 6X10 NE	NE0916006010
70	HEX.SCREW DIN 933 M5 X 12	IX2933005012
74	SPRING PIN _MIRRA 220/50	19531360
78	SLIDE SPRING _MIRRA 220-250	19390201/02
80	PLATE SLIDE PIN D12X122,5 _MIRRA	19530701
82	BRASS STUD BOLT 6X25	19337002
82	BRASS STUD BOLT M6 X 17 _MIRRA	19337032
84	HEX.NUT DIN 934 M 6	IX2934006
86	FLAT WASHER DIN 125 D 6	IX2125006
88	LOW HEX.NUT DIN 439 M 6	IX2439006
90	CAM PIN FOR MIRRA	19336062/01
92	CAM FOR MIRRA 220/275/300	19563505LG
94	GRUB SCREW DIN 916 M 5X8 NE	NE0916005008
96	CORRUGATED WASHER 12	19342005
98	GRUB SCREW DIN 916 M5 X 6 NE	NE0916005006
99	BOCCOLE AUTOLUBR.12.14.25	19324114
100	THICKNESS KNOB WASHER _MIRRA	19562145
102	MANOPOLA NUMERATA MRR C	19562403



2	END WEIGHT MRR-CNV NON CE	19801232
210	SCREW TE DIN 933 M 6X30 T.F.	IX2933006030
212+214	CARRELLO SMART NO CE LAVORATO	19500513
214	BUSHING 18.20.20	19324108
220	BRASS STUD BOLT 6X25	19337002
222	HEX.NUT DIN 934 M 6	IX2934006
234	LOW HEX.NUT DIN 439 M 6	ix2439006
238	HEX.NUT DIN 934 M 6	IX2934006
240	FLAT WASHER DIN 125 D 6	IX2125006
242	SLIDE ROUND BAR _ MIRRA	19530601
244	ROUND BAR SPRING D.18 MIRRA 220-250	19390111
246	ROUND BAR SCREW T.20 _MIRRA	19335001
248	SQUARE BAR _ MIRRA	19540101
250	HEX.SCREW DIN 933 M5 X 20	IX2933005020
254	CARRIAGE BUFFER M5X12 MIRRA 220-300	19560170
256	TIE ROD KNOB M8	19562504
258	PRODUCT PLATE STEM _ MIRRA	19510601L
259	HEX.NUT DIN 934 M 6	IX2934006
260	SCREW, PRODUCT PLATE MIRRA 220-250	19335042
262	WASHER LARGE DIN 9021 D 6X18	IX29021006018
263	GROWER WASHER UNI 1751 D.6	IX21751006
264	PRODUCT PLATE _ MIRRA 250 C	1,95E+16
265	FLATHEAD CSK SCREW DIN 963 M5 X 12	IX2963005012
266	GRUB SCREW DIN 916 M5 X 6 NE	NE0916005006
268	ROD BLOCK, STRAIGHT _ MIRRA Y06	19525062
270	MEAT PRESS ROD _MRR 250 Y06/CANOVA25	19530402.06
272B	ROD BLOCK, INCLINED _ MIRRA Y10	19525060.10
274	BUSHING 10.12.10	19324101
277	MEAT PRESS INSERT	19563213
278	MEAT PRESS BUFFER D8,5XH36	19563206
281	BLIND NUT DIN 1587 M5	IX21587LC005
283	GRUB SCREW DIN 913 M 10X30 CE	IX2913010030
284	MEAT PRESS KNOB FOR MIRRA - BLACK	19562900
285	WASHER LARGE DIN 9021 D 5X20	IX29021005020
286	GRUB SCREW DIN 913 M 5X16 CE	IX2913005016
294	HAND GUARD MIRRA 275-300 Y09	19562324.06



AC	AFFILAT.INC.MRR NEW 275 NORM/CE DOM	198000317
402	SHARPENER COVER FOR SLICER 250	19511202
410	SHARPENER SPRING _ SLICER 250-300	19390303
412	DEBURRING PIN _ SLICER 250-300	19540703
416	DEBURRING STONE D.40 H8 F6	19300201
418	FLAT WASHER DIN 125 D 6	IX2125006
420	HEX.NUT DIN 934 M 6	IX2934006
421	LOW HEX.NUT DIN 439 M 6	IX2439006
424	SHARPENING PIN _ SLICER 250-300	19540704
426	DEBURRING BUTTON _ SLICER 250-300	19550203
427	BUTTON LOCKING SCREW _SLICER 250-370	19335025
428	SHARPENER SUPPORT STUD BOLT L=75 MM	19336010
430 NR	SHARPENER LOCKING KNOB FOR SLICER	19562602
430 BL	BLUE KNOB M8	19564015
432	FLATHEAD CSK SCREW DIN 963 M4 X 10	IX2963004010
435	PIAST. COLONNINA MRR 300 G NO CE	19533335
436	COLONNIN.300 MRR G ALL OSSIDATA	19511130
442A	SUPPORT PIN L.76 _ MIRRA 250 C	19540431
442B	Milled sharpener holder FOR SLICER	19540406
444	HEX.SCREW DIN 933 M5 X 16	IX2933005016
446	WASHER LARGE DIN 9021 D 5X15	IX29021005015
448	HEX.NUT DIN 934 M 5	IX2934005
450	GRUB SCREW DIN 913 M5 X 20 CE	IX2913005020
454	SEEGER DIN 471 D 06E	IX2471006
456	SHARPENER FRAME_MIRRA VERT.220-300	19021332
458	FLAT WASHER DIN 125 D 8	IX2125008
460	HEX.NUT DIN 934 M8	IX2934008
468	SHARPENING BUTTON _ SLICER 250-300	19550202
470	SHARPENING STONE D40 H11 F6	19300101



600	ON/OFF SWITCH COMELUX 401/L	19410102
601	SELF-TAP.CONVEX HEAD SCREW DIN 7981	IX279812.9009.5
602	SWITCH FRAME FOR SLICER MRR	19563171
626MN	CAPACITOR 8 μ F CODOLO M8	19410301
628	FLAT WASHER DIN 125 D 8	IX2125008
630	HEX.NUT DIN 934 M8	IX2934008
632	RELAY HOUSING 11-04-97 _ MIRRA	19563125
634-1	TERMINAL BLOCK 3 POLES 27	19410822
634	SUB-TERMINAL PA 228	19410820
636	SCREW TC-DIN 84 M 5X10	IX284005010
642	HOUSING SPACER RING	19561500
644/4	AUSTRALIAN POWER CORD, 1PH	19410508
644MN	SUPPLY CORD SINGLE-PHASE "SHUKO"	19410502
648MN	MOTOR 230/50 P.40 _ MIRRA	19403042
650	VITE AUTOF.TC+ DIN 7981 D 3,5X9,5	IX279813.5009.5
652	WASHER DIN 6798-A D 4E	IX26798A004
654	GROUND LABEL	19420177
658	GROUND CABLE UL _ MIRRA 220-250	19410738
660	GRUB SCREW DIN 916 M 5X8 NE	NE0916005008
668	S/S MOTOR ROD _ MIRRA	19540501
670	GRUB SCREW DIN 913 M 5X30 CE	IX2913005030
672	HEX.NUT DIN 934 M 5	IX2934005
674	WASHER LARGE DIN 9021 D 5X20	IX29021005020
676	SCREW TC-DIN 84 M 5X10	IX284005010
679	SELF-TAP.CONVEX HEAD SCREW DIN 7981	IX279812.9009.5
680	BOTTOM COVER _ MIRRA 220-250	19563151