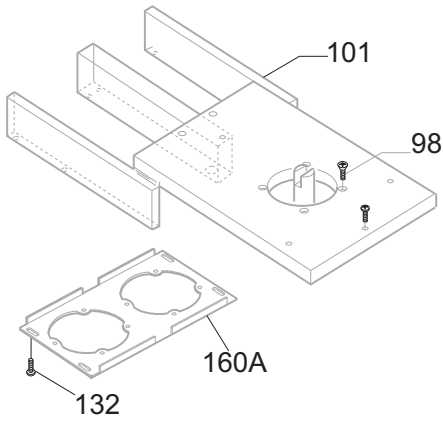
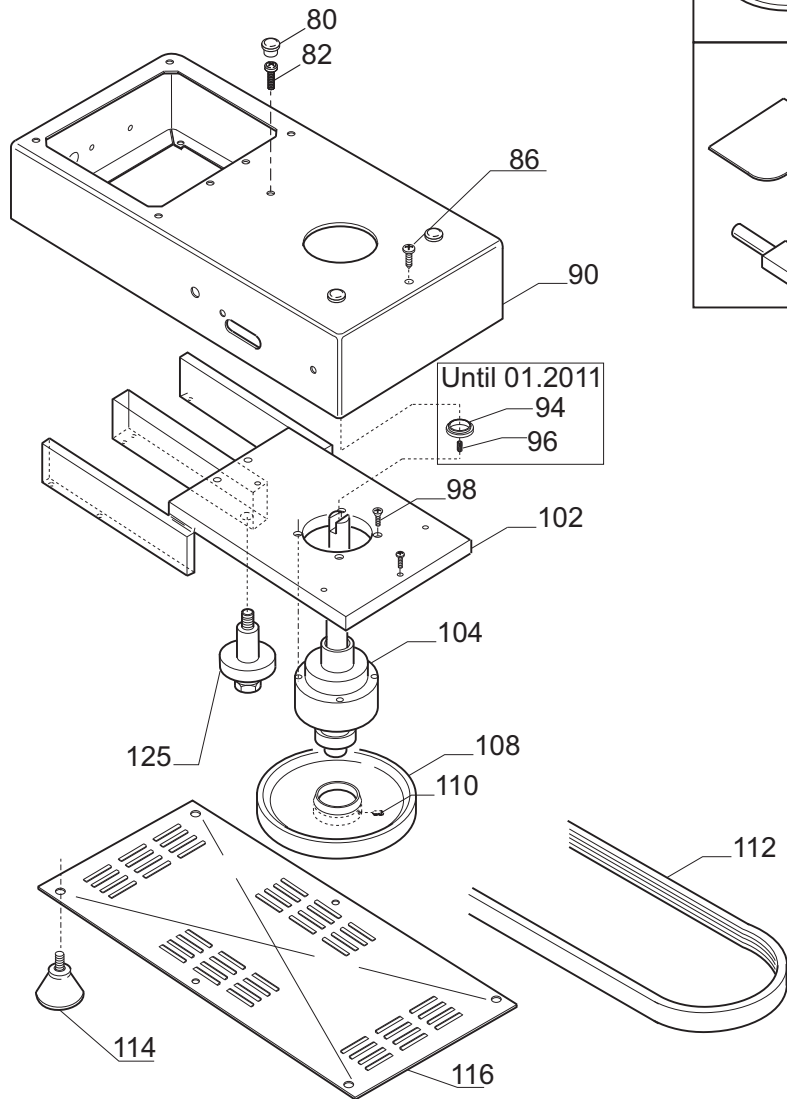
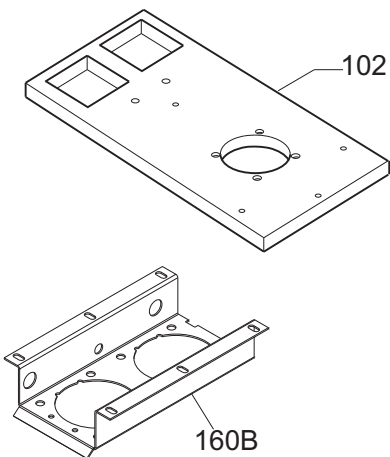


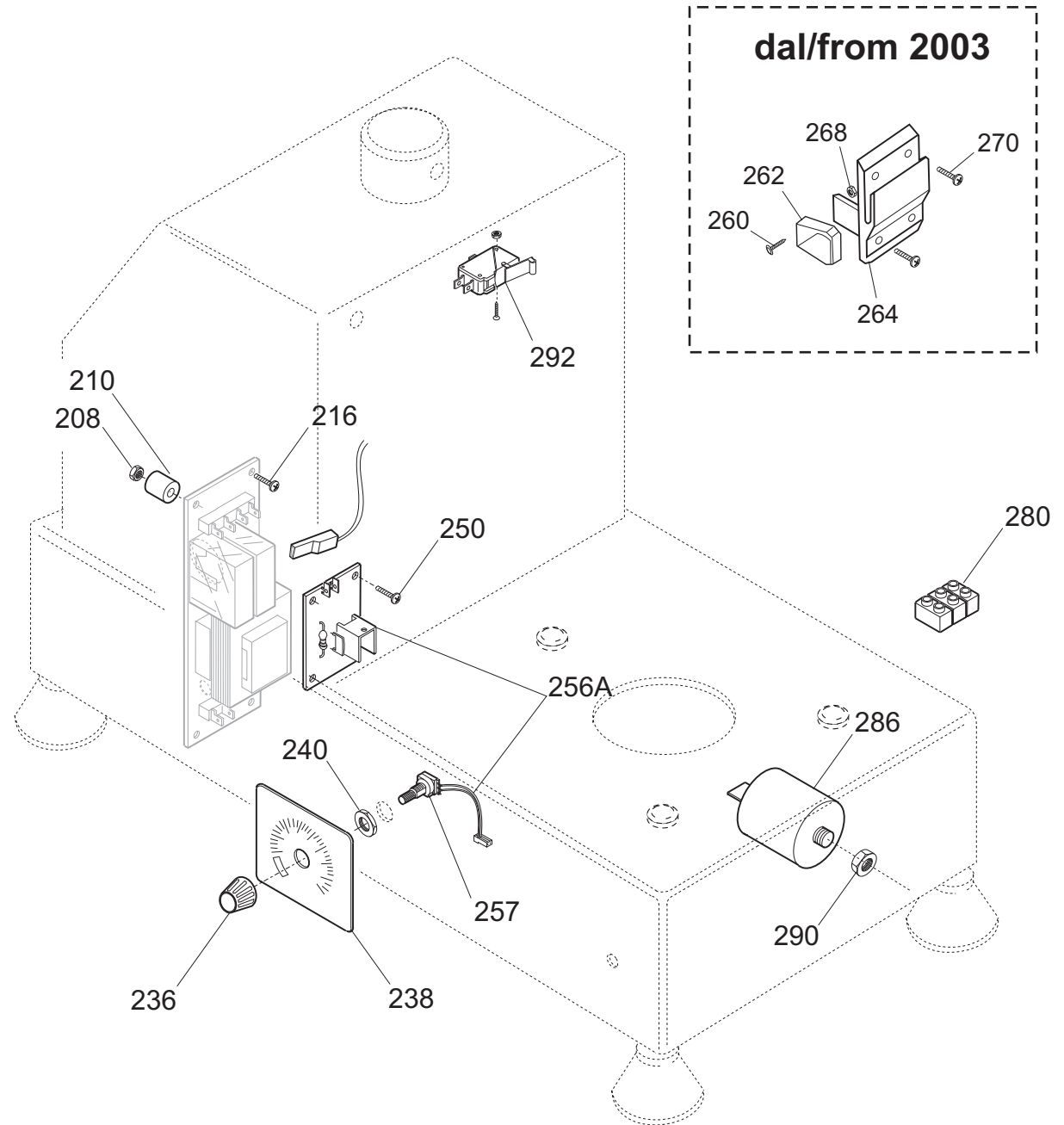
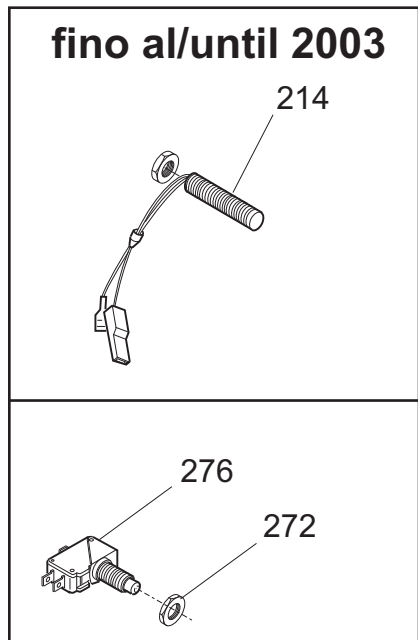
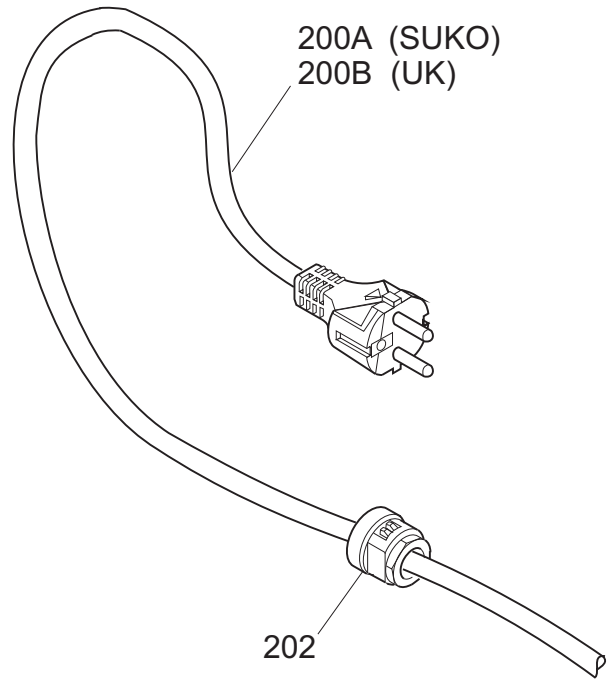
Fino a / Until
12.2002



Da / From
01.2003



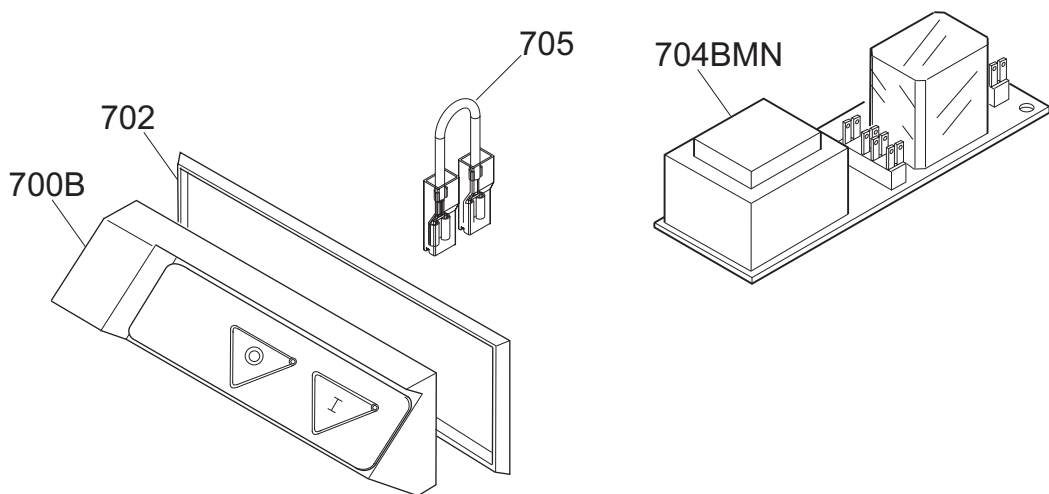
0	SHAFT W/REGULAR KNIVES FOR C9	MSC09AMON
2	Rod holder pin	MSC09V002
4	Clutch washer	MSC09V004
6	FRAME HEAD C9	MSC09V006
08A	Clutch base	MSC04N008A
10	Clutch nut	MSC04N010
12A	Microswitch cam	MSC04N012A
15	MOLLA A TAZZA 12,2X25X0,7	FE20930120250.7
18	Arm knob	MSC09V018
20	Arm	MSC09V020
27	DISTANZIALE GUIDA PENTOLA C9	MSC09V027
28	BOWL SLIDEWAY FOR C4-C6	MSC04N028
30	VITE TSP+ DIN 965 M 4X20	IX2965004020
52	LID W/GASKET FOR C9 FROM OCT 03	MSC09V052A
54	LID PLUG _ C 9 VV	MSC09V054
60	BLADE HOLDER PIN _ C9 VV	MSC09V060
62	BLADE HOLDER _ C9 VV	MSC09V062
62P	PORTA LAMA PER PESTO C9	MSC09V062P
64V	COLTELLO SUP. ALTO PESTO C9	MSC09V064V
64F	Punched upper knife	MSC09V064F
64P	COLTELLO SUP. IMPASTI C9	MSC09V064P
64Z	SERRATED UPPER KNIFE C9	MSC09V064Z
64	UPPER KNIFE FOR C 9 VV	MSC09V064
68	KNIFE SPACER _ C9 VV	MSC09V068
68P	DISTANZIALE COLTELLI PESTO C9	MSC09V068P
72F	Punched bottom knife	MSC09V072F
72Z	LOWER SERRATED KNIFE C9	MSC09V072Z
72	LOWER KNIFE FOR C 9 VV	MSC09V072
74	VITE PORTALAMA C9	MSC09V074
76	BOWL FOR C9 VV	MSC09V076
80	Gum until 1999	MSC04N080A
82	VITE TC+ DIN 7985 M5X12	IX27985005012
90	Frame body	MSC09V090
94	FUORI PRODUZIONE-OUT OF PRODUCTION	00-OUT
101	FUORI PRODUZIONE-OUT OF PRODUCTION	00-OUT
102	Stainless steel plate	MSC09V102
104	ALUMINIUM SHAFT FOR C9 VV	MSC09V104
108	PULLEY _ C 9 VV	MSC09V108
110	SCREW DIN 916 M 8X10 NE	NE0916008010
112	BELT FOR C9	MSC09V112
114	FOOT M5 FOR SLICER/CUTTER	19560201
116	BOTTOM SAFETY GRATE FOR C 9 VV	MSC09V116
125	SMALL PULLEY C9	MSC09V125
136	MOTOR 230V 50Hz C4-C6-C9	MSC04N136
160A	FUORI PRODUZIONE-OUT OF PRODUCTION	00-OUT
160B	Big motor holder	MSC09V134
170	BOWL SCRAPER, RED COLOUR	MSC04N200
174	SHARPENING STONE, CUTTER	MSC04N174



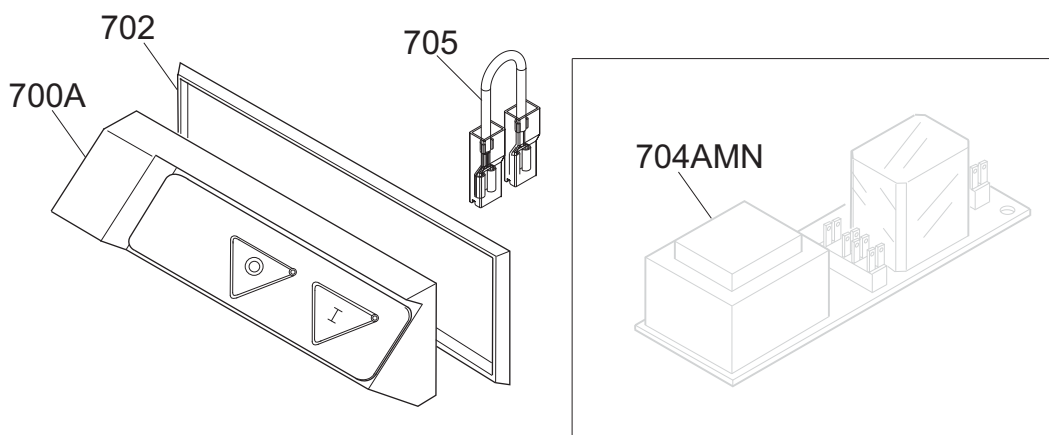
200C	CAVO ALIM.COMP. MN CINA 3X1 NEOPR	194105121
200B	UK POWER CORD SINGLE PHASE	19410504
200A	SUPPLY CORD SINGLE-PHASE "SHUKO"	19410502
202	STRAIN RELIEF _ C4-C6-C9	MSC04N202
236	SPEED CONTROL KNOB FOR C4-C6-C9VV	MSC04V236
238	SPEED CONTROL LABEL _ C4-C6-C9 VV	MSC04V238
256A	PCB + SPEED VARIATOR - C9VV	MSC09V256
257+240	FUORI PRODUZIONE-OUT OF PRODUCTION	00-OUT
260	VITE TC+ DIN 7985 M3X16	IX27985003016
262	MECHANICAL MICROSWITCH C4-C6	MSC04N262
264	MICROSWITCH HOLDER C4-C6	MSC04N264
268	DADO ES. DIN 439 M 3 BASSO	IX2439003
270	VITE TSP+ DIN 965 M 3X8	IX2965003008
276+272	MECHANICAL MICROSWITCH _ C4-C6-C9	MSC04N276
280	TERMINAL BOARD _ C4-C6-C9	MSC04N280
286	NOISE FILTER C9	MSC09V286
292	LEVER MICROSWITCH FOR CUTTER	MSC04N292

Ver. 1-PHASE

Da / From 12.2018



Fino a / Until 11.2018



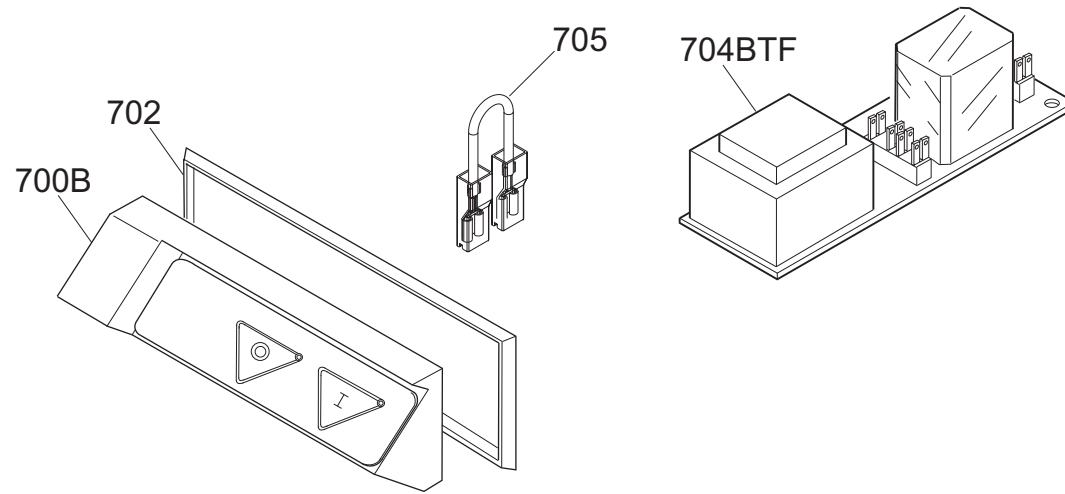
RIF. 704AMN FUORI PRODUZIONE
ORDINARE RIF. 700B+704BMN

REF. 704AMN NO MORE AVAILABLE
PLEASE ORDER REF. 700B+704BMN

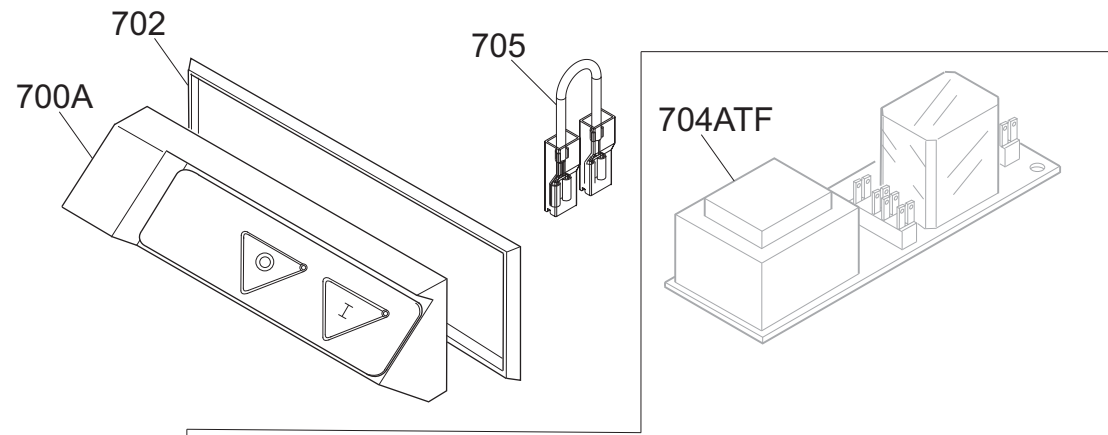
Ver. 3-PHASE

Лист 3

Da / From 12.2018



Fino a / Until 11.2018



RIF. 704ATF FUORI PRODUZIONE
ORDINARE RIF. 700B+704BTF

REF. 704ATF NO MORE AVAILABLE
PLEASE ORDER REF. 700B+704BTF

700B	PUSH-BUTTON PANEL, SMALL, Y18	19702000.18
700A	PUSH-BUTTON PANEL "SMALL"	19702000
702	GASKET FOR SMALL CONTROL PANEL	19563030
704BTF	PC BOARD 220-380 3-PHASE Y18	19411008.18
704BMN	PCB TUV 220MN Y18	19411007.18
705	CAVETTO X PONTE SCHEDA POT SID.UL	19410742