



IMF 58 HC

LIST OF EXPLODED VIEWS



SHELL ASSY

COOLING SYSTEM

HYDRAULIC CIRCUIT

EVAPORATOR SUPPORT

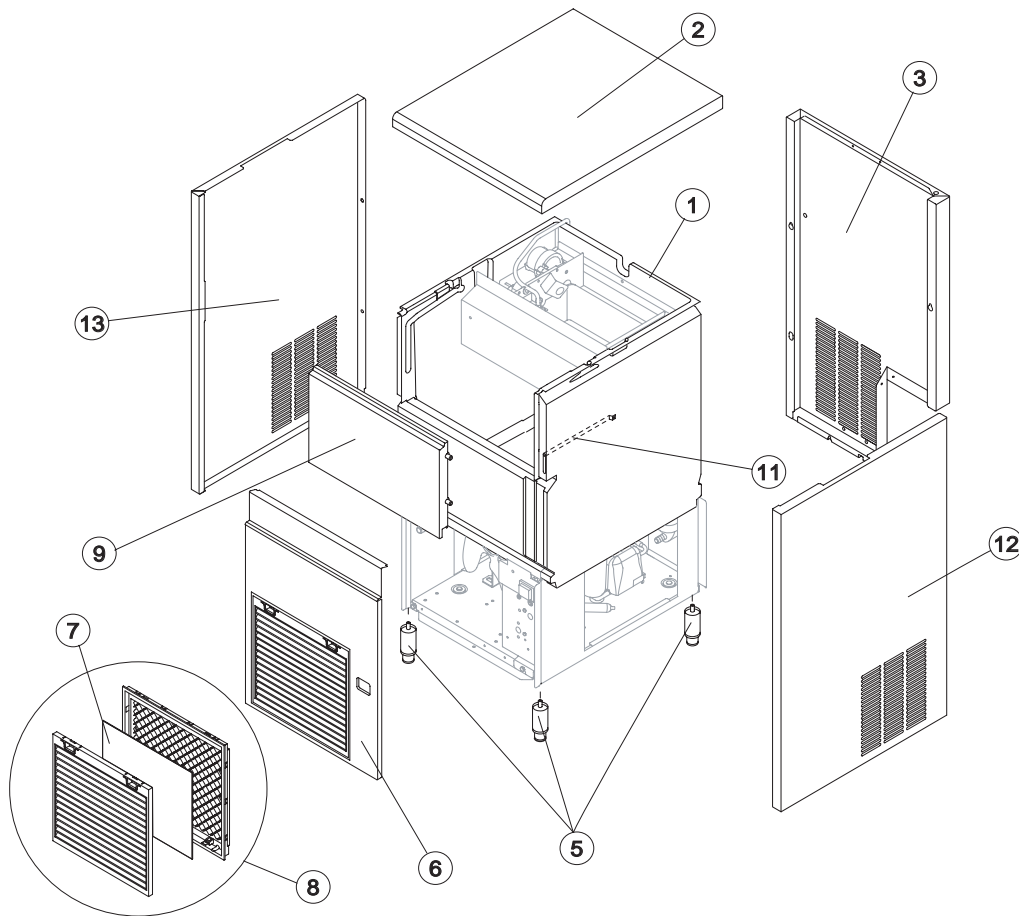
ELECTRIC PARTS

Rev.02 - 12/03/2019



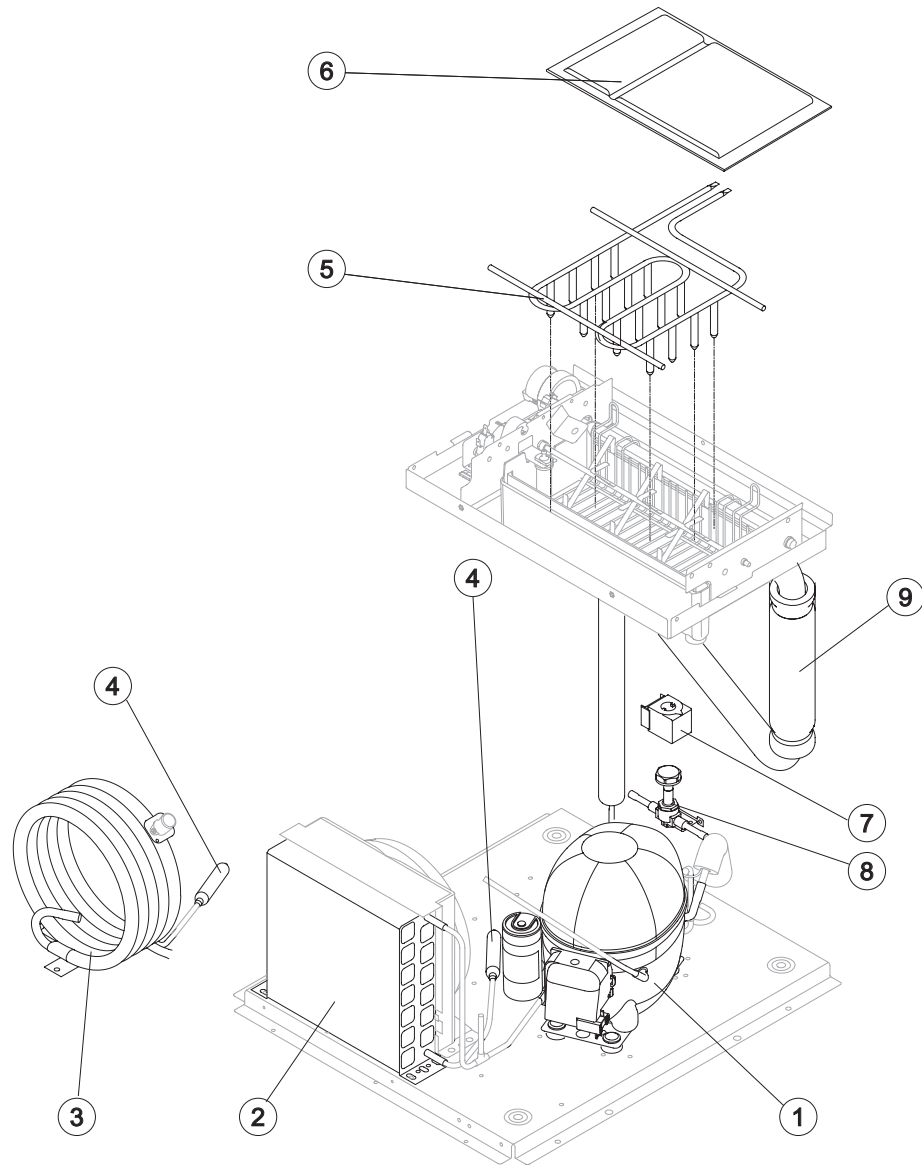
IMF 58 HC

SHELL ASSY



Ref.	Spare Description	Code
1	Foamed Bin Assy	C11137
2	Top Assembly	C221358
3	Rear Panel Assembly	C21387
5	Adjustable Foot	20613
6	Front Grid Panel	C221357
7*	Filtering Panel	18106
8	Frame + Grid & Filter	C10205
9	Door Assy	C10297
11	Bulbe-holder Pipe	20521
12	Right Side Panel	221418
13	Left Side Panel	221417

Rev.02 - 12/03/2019



Common Parts

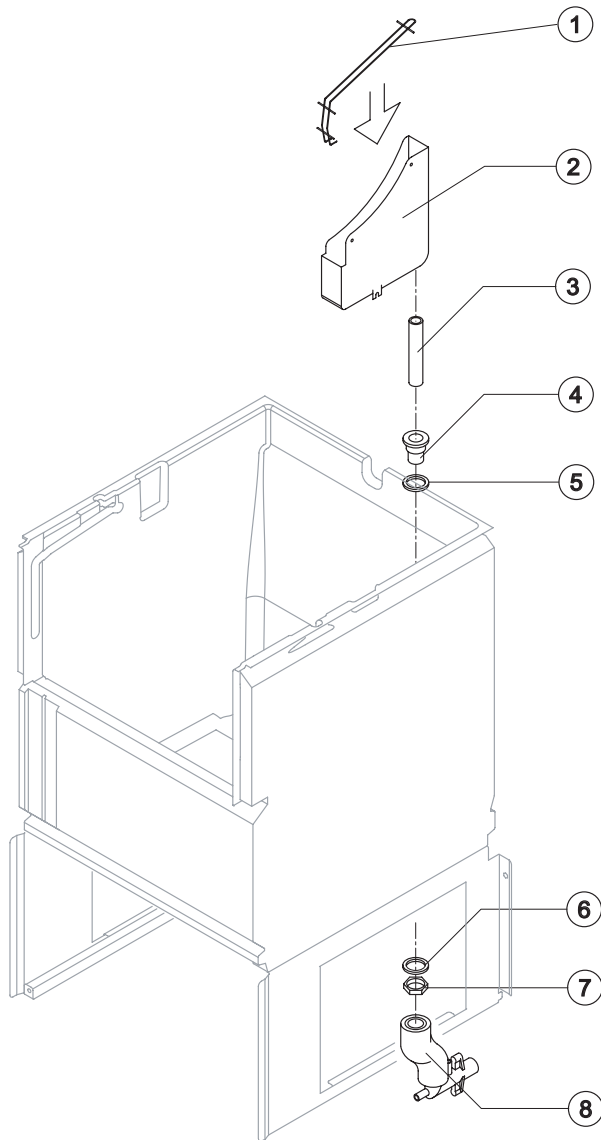
Ref.	Spare Description	Code
1	Compressor	231159
4*	Molecular Drier	14009
5	Evaporator	D14691
6	Evaporator Cover Panel	10487
7*	Hot Gas Valve Coil	231294
8*	Hot Gas Valve Body	201129
9	Suctin Line	for the spare parts code give us the s/n.

Parts for Air-Cooled Version Only

Ref.	Spare Description	Code
2	Air Condenser	201238

Parts for Water-Cooled Version Only

Ref.	Spare Description	Code
3	Water Condenser	14014



Common Parts

Ref.	Spare Description	Code
1	Water Collecting Basin Slide	12072
2	Water Collecting Basin	10456
3*	Basin water collecting drain pipe	13107
4	Water Outlet Nipple	10472
5	Silicone Gasket	13219
6	Semirigid Polyethylene Gasket	13007
7	Bin Discharge Nut	10096

Parts for Air-Cooled Version Only

Ref.	Spare Description	Code
8	Discharges Manifold	C10006

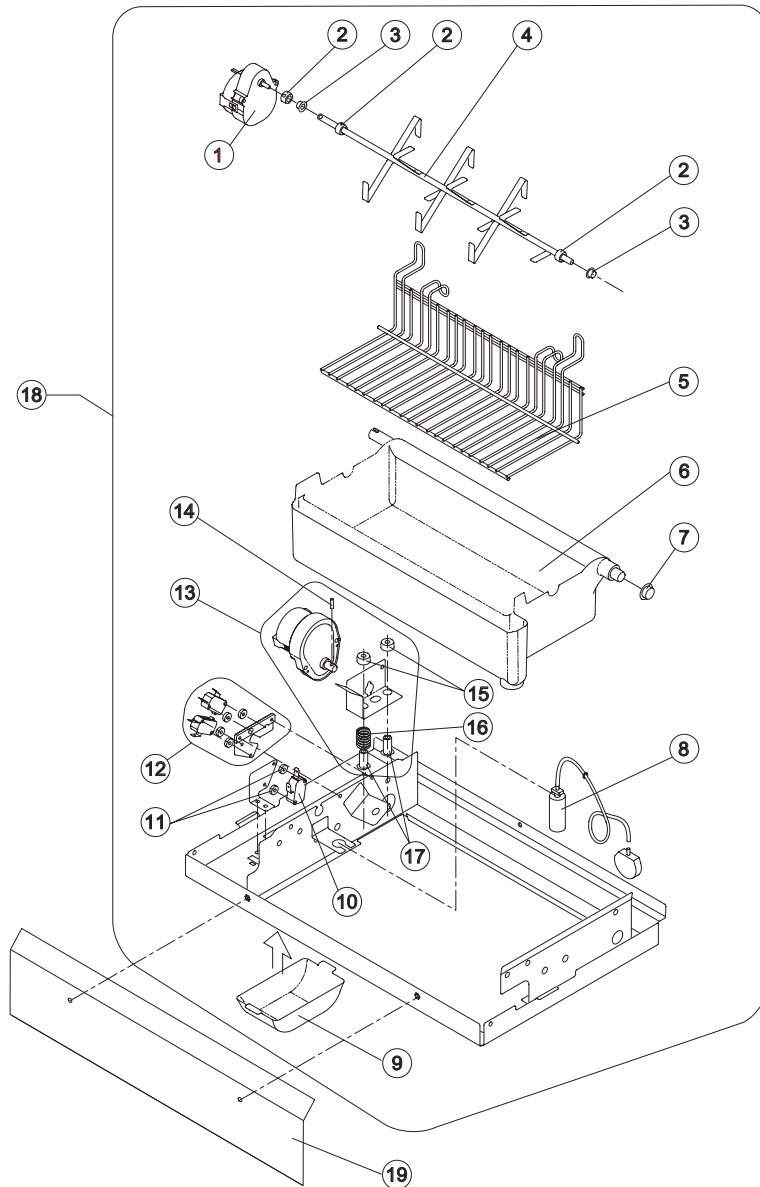
Parts for Water-Cooled Version Only

Ref.	Spare Description	Code
8	Discharges Manifold	C26452



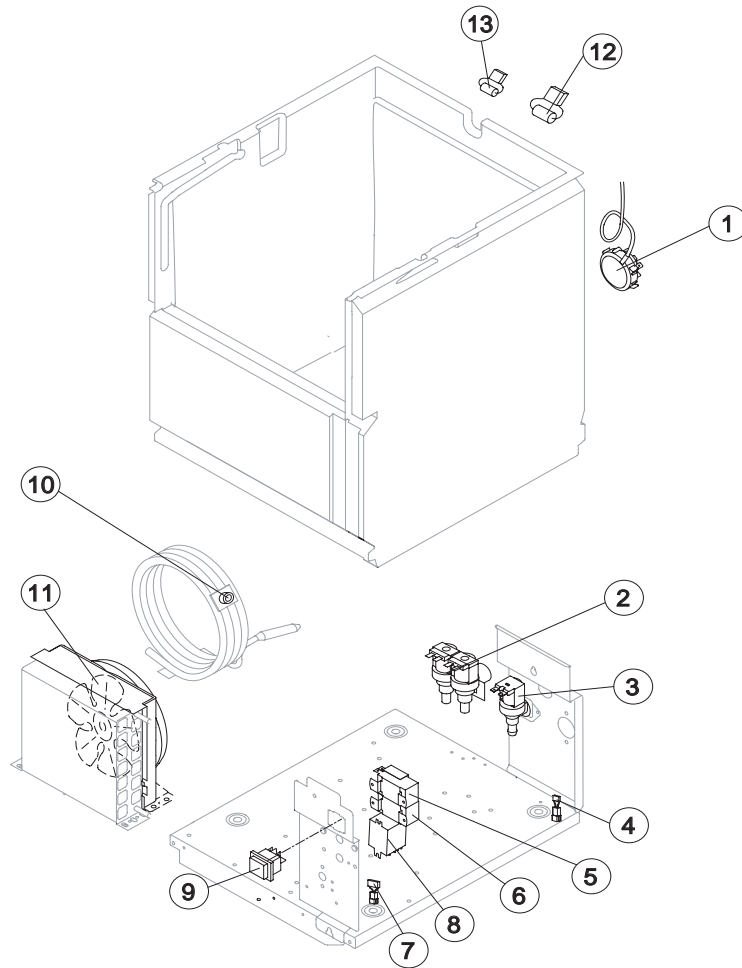
IMF 58 HC

EVAPORATOR SUPPORT



Ref.	Spare Description	Code
1*	Gearmotor (Paddles)	23801
2	Shaft Stop Ring	20227
3	Self-Lubricating Bush 06/06	20230
4*	Shaft with Paddles	20966
5	Internal Slide Bin	12088
6*	Water Basin with Pivot	C10591
7	Self-Lubricating Bush 12/07	20231
8*	Air Trap with Pipe	C10537
9	Gearmotor (Paddles) Protection	10483
10*	Microswitch (Paddles - NO)	23804
11	Switch Shimming Ring	10250
12*	2 Microswitches (Basin - NC) Support Assy	C26747
13*	Gearmotor (Turnover Basin) with support Assy	C26746
14	Shaft Pin for Gearmotor (Turnover Basin)	20814
15	Special Ring	20808
16	Spring (Gearmotor Support)	20809
17	Threaded Pivot	20807
18	Evaporator Support Plate Assembly	C221206
19	Front Basin Cover	221204

Rev.02 - 12/03/2019



Common Parts

Ref.	Spare Description	Code
1*	Water Level Pressure Switch	23870
4	Anti Radio Interference Filter	C23458
5*	Condenser Pressure Switch	231123
6*	Bin Thermostat	R23005
8*	Relay	23190
9*	Green Light Switch(On-Off)	23327
12*	Capacitor 0,068µF	23798
13*	Capacitor 0,12µF	Current Version 231336
13*	Capacitor 0,068µF	Till s/n. 946067 23798

Parts for Air-Cooled Version Only

Ref.	Spare Description	Code
3*	1 Way- Water Inlet Valve	23220
7	Anti Radio Interference Filter	C23459
11*	Fan Motor + grid + conveyor Assembly	231324

Parts for Water-Cooled Version Only

Ref.	Spare Description	Code
2*	2 Ways- Water Inlet Valve	23501
7	Anti Radio Interference Filter	C23457
10*	Safety Thermostat Switch	C23114