



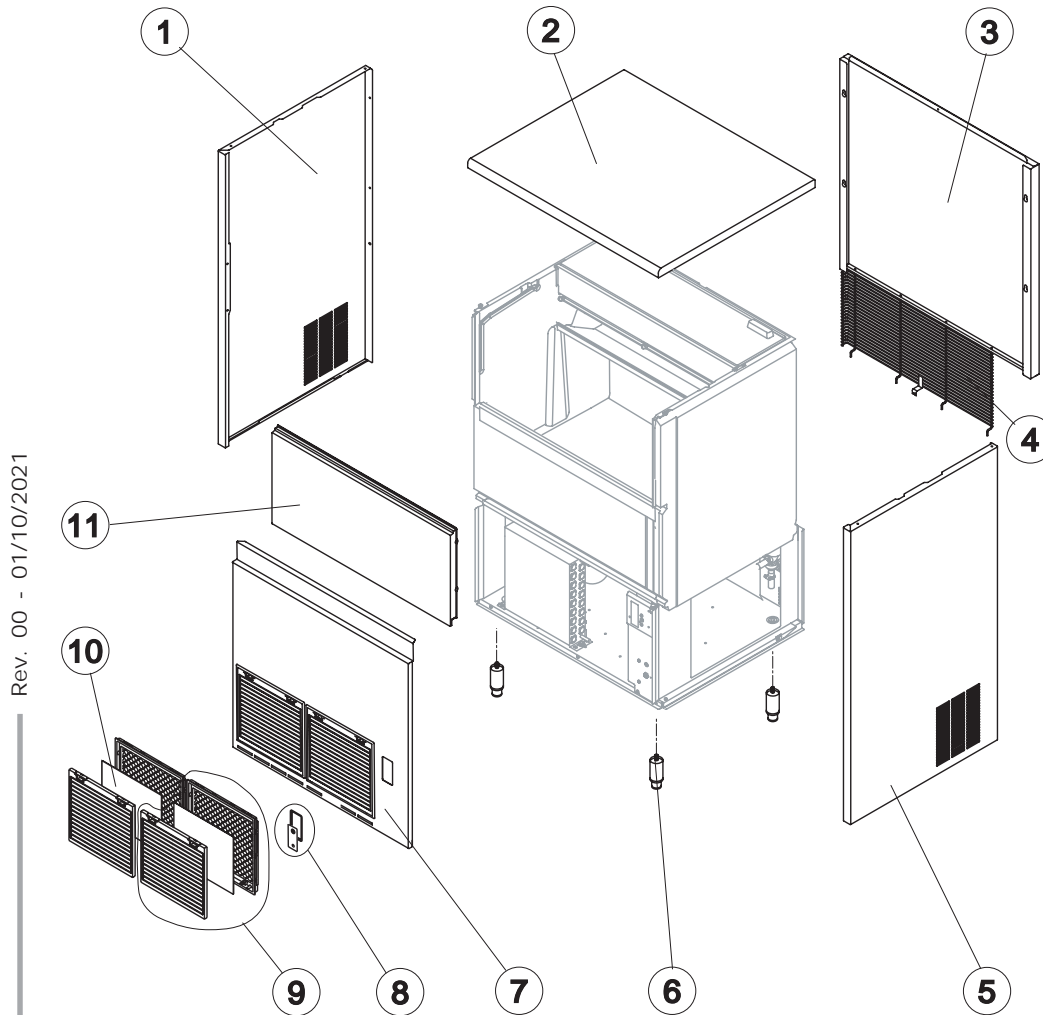
*SHELL ASSY*

*COOLING SYSTEM*

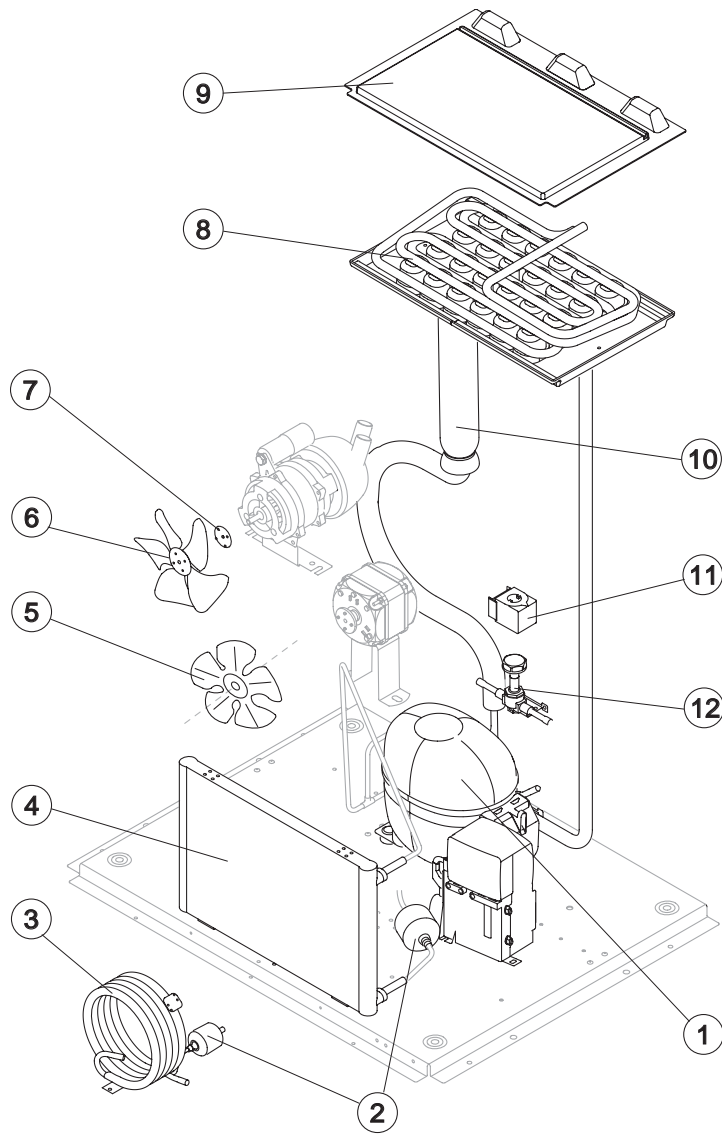
*HYDRAULIC CIRCUIT*

*HYDRAULIC CIRCUIT DP*

*ELECTRICAL PARTS*



Ref.	Spare Description	Code
1	Left Side Panel Assembly	C222131
2	Top	222009
3	Rear Side Panel	21583
4	Back grill	D12141
5	Right Side Panel Assembly	C222132
6	Adjustable Foot	20613
7	Front Panel	C222034
8	On-Off switch Frame with Label	C10958
9	Grid whit Filter Assembly	C10205
10	Filter	18106
11	Door Assembly	C10275



### Common Parts

Ref.	Spare Description	Code
1	Compressor	231196
2*	Solid Core Drier	141003
6	Sucking Fan	10213
7	Fan Fixing Hub	10014
8	Evaporator Assy	See Table
9	Evaporator Cover Panel	10514
10	Suction Line	for the spare parts code give us the s/n.
11*	Hot Gas Valve Coil	231294
12*	Hot Gas Valve Body	201129

### Parts for Air-Cooled Version Only

Ref.	Spare Description	Code
4	Air Condenser	201223
5	Sucking Fan	20153

### Parts for Water-Cooled Version Only

Ref.	Spare Description	Code
3	Water Condenser	14374

### R2f. 8 - Evaporator

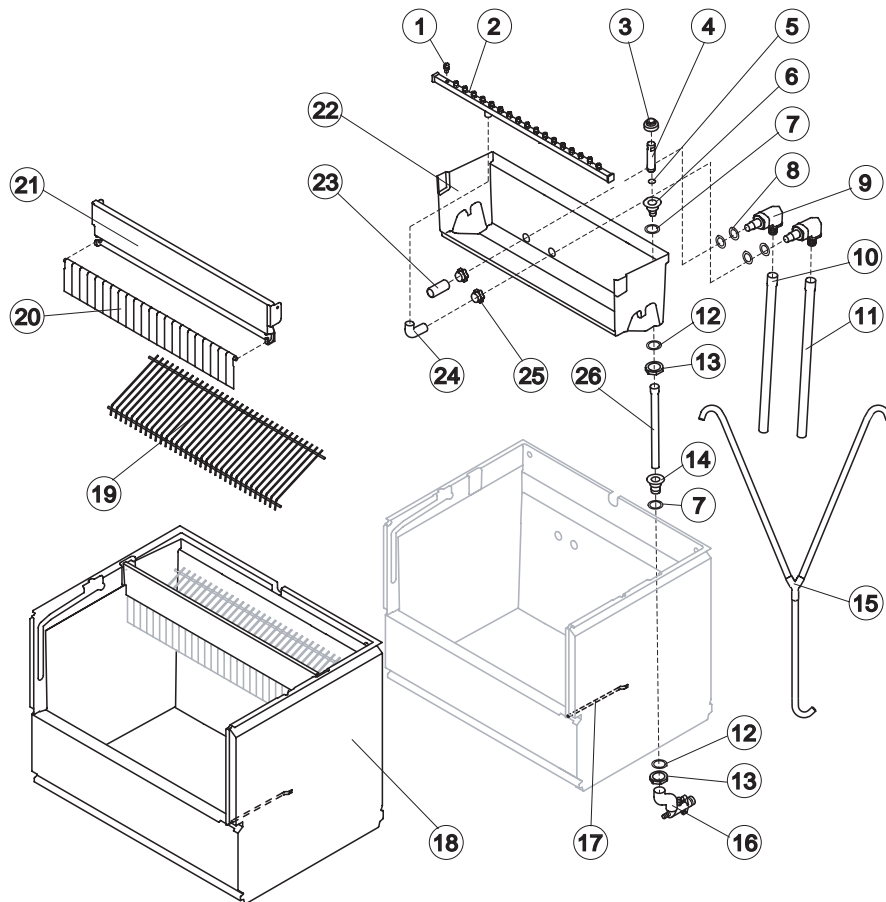
Kind of Cube	Code
18 g. (Standard)	D10047
33 g.	D10090
13 g.	D10418
42 g.	D10480



# CB 955 HC New

# HYDRAULIC CIRCUIT

only for CB955A HC and CB955W HC



### Common Parts

Ref.	Spare Description	Code
1	Sprayer	D20002
2*	Sprayers Bar Assembly	See Table
3*	Overflow Cap	10305
4*	Overflow Pipe	10133
5*	OR Gasket for Overflow Pipe	20233
6	Overflow Pipe Nipple	10471
7	Gasket	13219
8	Gasket for Pump Suction/Delivery Pipes	13220
9	Insulated Pump Suction/Delivery Fitting	C10653
10	Insulated Pump Suction Pipe	C13175600
11	Insulated Pump Delivery Pipe	C13175600
12	Semirigid Polyethylene Gasket	13007
13	Bin Discharge Nut	10096
14	Water Outlet Nipple	10472
15*	Water Supply Pipe to the Evaporator	C13183
17	Bulbe-holder Pipe	20521
18	Complete Basin Assembly	C11260
19*	Ice Cubes Slide	See Table
20	Rod with Flags	10775
21	Flags ABS Support	10760
22	Inner Basin	10034
23	Pump Suction Filter	20005
24	Sprayers Feeding Pipe	13005
25	Fittings Locking Ring	10654
26*	Overflow Pipe	13110

Rev. 00 - 01/10/2021

### Ref. 2\* - Sprayers Bar Assembly

Kind of Cube	Code
18 g. (Standard)	C20058
33 g.	C20156
13 g.	C20190
42 g.	C20802

### Ref. 19\* - Ice Cubes Slide

Kind of Cube	Code
18 g. (Standard)	D12017
33 g.	D12031
13 g.	D12039
42 g.	D12071

### Parts for Air-Cooled Version Only

Ref.	Spare Description	Code
16	Discharges Manifold	C10006

### Parts for Water-Cooled Version Only

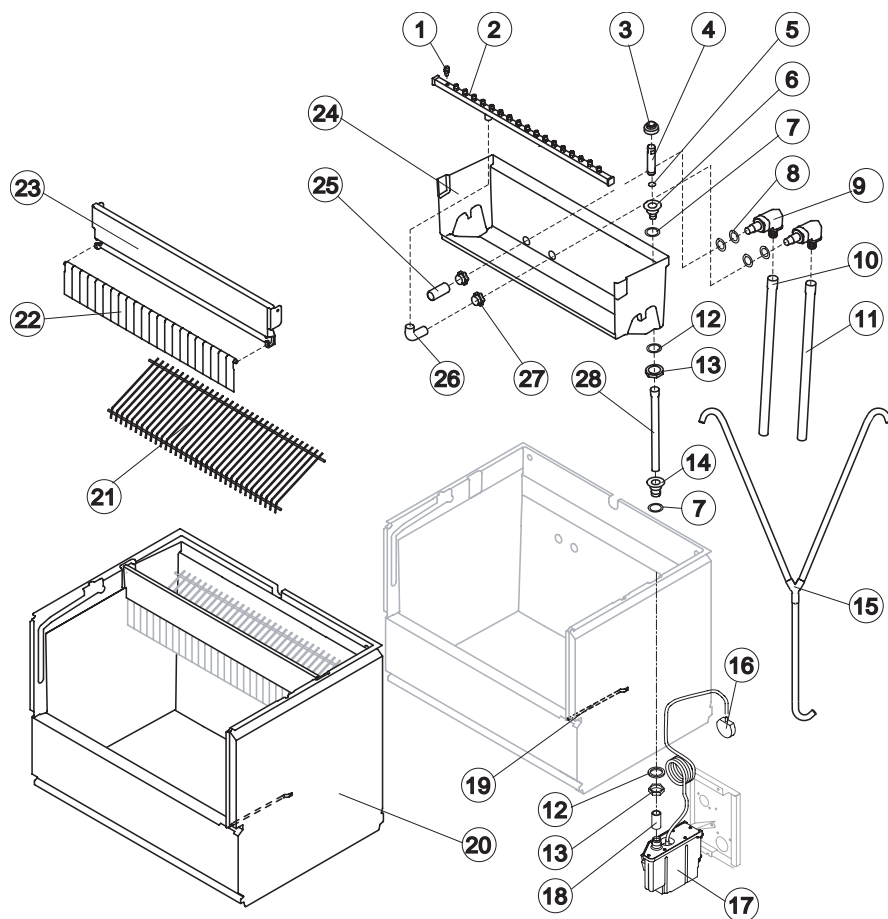
Ref.	Spare Description	Code
16	Discharges Manifold	C26452



# CB 955 HC New

# HYDRAULIC CIRCUIT

only for CB955A HC DP



### Common Parts

Ref.	Spare Description	Code
1	Sprayer	D20002
2*	Sprayers Bar Assembly	See Table
3*	Overflow Cap	10305
4*	Overflow Pipe	10133
5*	OR Gasket for Overflow Pipe	20233
6	Overflow Pipe Nipple	10471
7	Gasket	13219
8	Gasket for Pump Suction/Delivery Pipes	13220
9	Insulated Pump Suction/Delivery Fitting	C10653
10	Insulated Pump Suction Pipe	C13175600
11	Insulated Pump Delivery Pipe	C13175600
12	Semirigid Polyethylene Gasket	13007
13	Bin Discharge Nut	10096
14	Water Outlet Nipple	10472
15*	Water Supply Pipe to the Evaporator	C13183
16	Drain Pump Pressure Switch	C231230
17	Drain Pump	RC231225
18	Bin Discharge-Drain Pump Connection	C13175190
19	Bulbe-holder Pipe	20521
20	Complete Basin Assembly	C11260
21*	Ice Cubes Slide	See Table
22	Rod with Flags	10775
23	Flags ABS Support	10760
24	Inner Basin	10034
25	Pump Suction Filter	20005
26	Sprayers Feeding Pipe	13005
27	Fittings Locking Ring	10654
28*	Overflow Pipe	13110

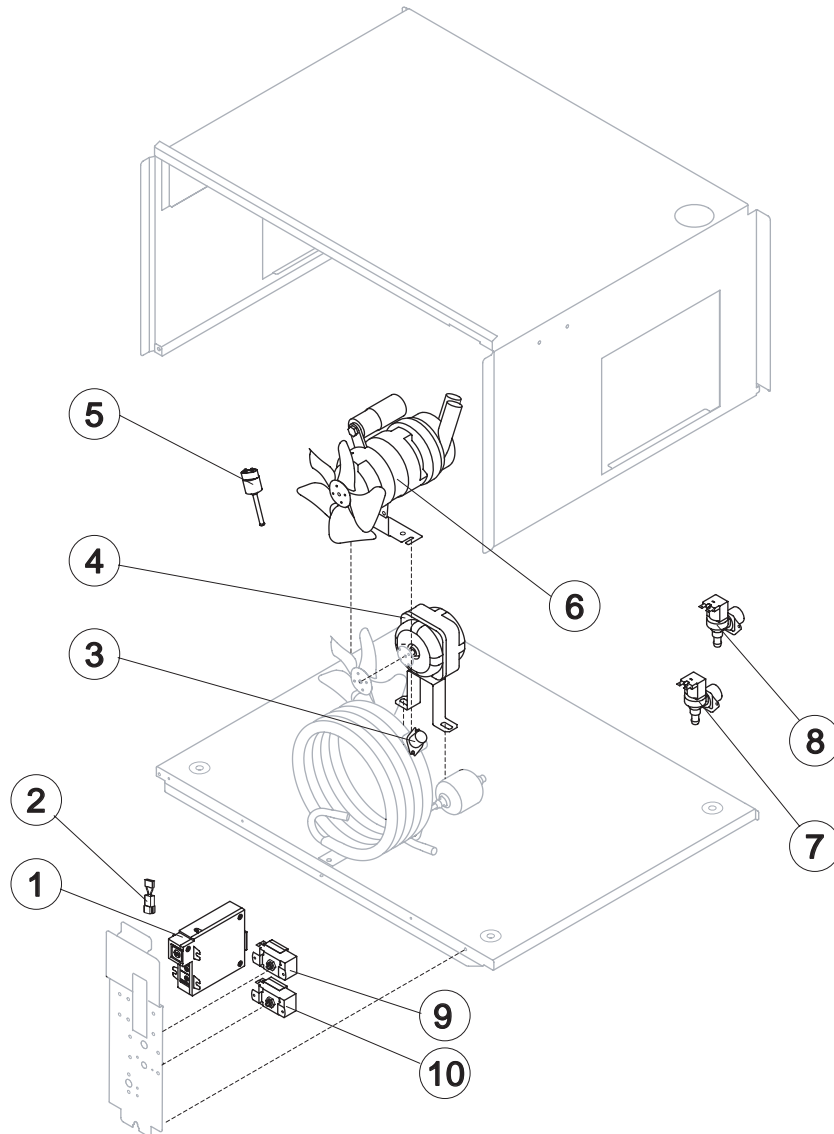
### Ref. 2\* - Sprayers Bar Assembly

Kind of Cube	Code
18 g. (Standard)	C20058
13 g.	C20190

### Ref. 21\* - Ice Cubes Slide

Kind of Cube	Code
18 g. (Standard)	D12017
13 g.	D12039

Rev. 00 - 01/10/2021



### Common Parts

Ref.	Spare Description	Code
1*	Electronic Timer / On-Off (AWS)	R231154
5*	Condenser Pressure Switch	231350
6*	Pump Assembly	RC23377
8*	1 Way- Water Inlet Valve (evaporator inlet)	23001
9*	Bin Thermostat	23005
10*	Evaporator Thermostat	23591

### Parts for Air-Cooled Version Only

Ref.	Spare Description	Code
2	Anti Radio Interference Filter	C23459
4*	Fan Motor	23067

### Parts for Water-Cooled Version Only

Ref.	Spare Description	Code
2	Anti Radio Interference Filter	C23457
3*	Safety Thermostat	C23114
7*	1 Way- Water Inlet Valve (condenser water inlet)	23001