

INSTRUCTION OF USE
MANUALE D'ISTRUZIONE
NOTICE D'UTILISATION
INSTRUCCIONES DE USO

P603IC1B2NEE
P603IC1B2GNEE
P604IC1B2NEE
P604IC1B2GNEE
P604IC2B2NEE



Dear customer,

Thank you for having chosen our induction ceramic hob.

In order to make the best use of your appliance, we would advise you to read carefully the following notes and to keep them for a later consulting.

SUMMARY

SAFETY	4
PRECAUTIONS BEFORE USING	4
USING THE APPLIANCE	4
PRECAUTIONS NOT TO DAMAGE THE APPLIANCE	5
PRECAUTIONS IN CASE OF APPLIANCE FAILURE	6
OTHER PRECAUTIONS	6
DESCRIPTION OF THE APPLIANCE	6
TECHNICAL CHARACTERISTICS	7
CONTROL PANEL	8
USE OF THE APPLIANCE	8
DISPLAY	8
VENTILATION	8
STARTING-UP AND APPLIANCE MANAGEMENT	9
BEFORE THE FIRST USE	9
INDUCTION PRINCIPLE	9
SENSITIVE TOUCH	9
STARTING-UP	9
PAN DETECTION	10
RESIDUAL HEAT INDICATION	10
TIMER	10
CONTROL PANEL LOCKING	11
BOOSTER FUNCTION	12
BRIDGE FUNCTION	12
GRILL FUNCTION	12
POWER MANAGEMENT	13
POWER LIMITATION CONFIGURATION	13
COOKING ADVICES	14
PAN QUALITY	14
PAN DIMENSION	14
EXAMPLES OF COOKING POWER SETTING	15
MAINTENANCE AND CLEANING	15
WHAT TO DO IN CASE OF A PROBLEM	15
ENVIRONMENT PRESERVATION	16
INSTALLATION INSTRUCTIONS	17
ELECTRICAL CONNECTION	19

SAFETY

Precautions before using

- Unpack all the materials.
- The installation and connecting of the appliance have to be done by approved specialists. The manufacturer cannot be responsible for damage caused by building-in or connecting errors.
- To be used, the appliance must be well-equipped and installed in a kitchen unit and an adapted and approved work surface.
- This domestic appliance is exclusively for the cooking of food, to the exclusion of any other domestic, commercial or industrial use.
- Remove all labels and self-adhesives from the ceramic glass.
- Do not change or alter the appliance.
- The cooking plate cannot be used as freestanding or as working surface.
- The appliance must be grounded and connected conforming to local standards.
- Do not use any extension cable to connect it.
- The appliance cannot be used above a dishwasher or a tumble-dryer: steam may damage the electronic appliances.
- The appliance is not intended to be operated by means of external timer or separate remote control system.

Using the appliance

- Switch the heating zones off after using.
- Keep an eye on the cooking using grease or oils: that may quickly ignite.
- Be careful not to burn yourself while or after using the appliance.
- Make sure no cable of any fixed or moving appliance contacts with the glass or the hot saucepan.
- Magnetically objects (credit cards, floppy disks, calculators) should not be placed near to the engaged appliance.
- Metallic objects such as knives, forks, spoons and lids should not be placed on the hob surface since they can get hot.
- In general do not place any metallic object except heating containers on the glass surface. In case of untimely engaging or residual heat, this one may heat, melt or even burn.

- Never cover the appliance with a cloth or a protection sheet. This is supposed to become very hot and catch fire.
- This appliance can be used by children aged from 8 years and above and persons with reduced physical, sensory or mental capabilities or lack of experience and knowledge if they have been given supervision or instruction concerning use of the appliance in a safe way and understand the hazards involved.
- Children shall not play with the appliance.
- Cleaning and user maintenance shall not be made by children without supervision.

Precautions not to damage the appliance

- Raw pan bottoms or damaged saucepans (not enamelled cast iron pots,) may damage the ceramic glass.
- Sand or other abrasive materials may damage ceramic glass.
- Avoid dropping objects, even little ones, on the vitroceramic.
- Do not hit the edges of the glass with saucepans.
- Make sure that the ventilation of the appliance works according to the manufacturer's instructions.
- Do not put or leave empty saucepans on the vitroceramic hobs.
- Sugar, synthetic materials or aluminium sheets must not contact with the heating zones. These may cause breaks or other alterations of the vitroceramic glass by cooling: switch on the appliance and take them immediately out of the hot heating zone (be careful: do not burn yourself).
- **WARNING:** Danger of fire: do not store items on the cooking surface.
- Never place any hot container over the control panel.
- If a drawer is situated under the embedded appliance, make sure the space between the content of the drawer and the inferior part of the appliance is large enough (2 cm). This is essential to guaranty a correct ventilation.
- Never put any inflammable object (ex. sprays) into the drawer situated under the vitroceramic hob. The eventual cutlery drawers must be resistant to heat.

Precautions in case of appliance failure

- If a defect is noticed, switch off the appliance and turn off the electrical supplying.
- If the ceramic glass is cracked or fissured, you must unplug the appliance and contact the after sales service.
- Repairing has to be done by specialists. Do not open the appliance by yourself.
- **WARNING:** If the surface is cracked, switch off the appliance to avoid the possibility of electric shock.

Other precautions

- Make sure that the cookware is always centred on the cooking zone. The bottom of the pot should cover as much as possible of the cooking zone.
- For the users of cardiac pacemakers, the magnetic field may influence the operation. We recommend getting information from the retailer or the doctor.
- Do not place aluminium or synthetic material containers on the hob: they could melt on residual hot cooking zones.
- NEVER try to extinguish a fire with water, but switch off the appliance and then cover flame e.g. with a lid or a fire blanket.

**THE USE OF EITHER POOR QUALITY POT OR ANY
INDUCTION ADAPTOR PLATE FOR NON-MAGNETIC
COOKWARE RESULTS IN A WARRANTY BREACH.
IN THIS CASE, THE MANUFACTURER CANNOT BE HELD
RESPONSIBLE FOR ANY DAMAGE CAUSED TO THE HOB
AND/OR ITS ENVIRONMENT.**



DESCRIPTION OF THE APPLIANCE

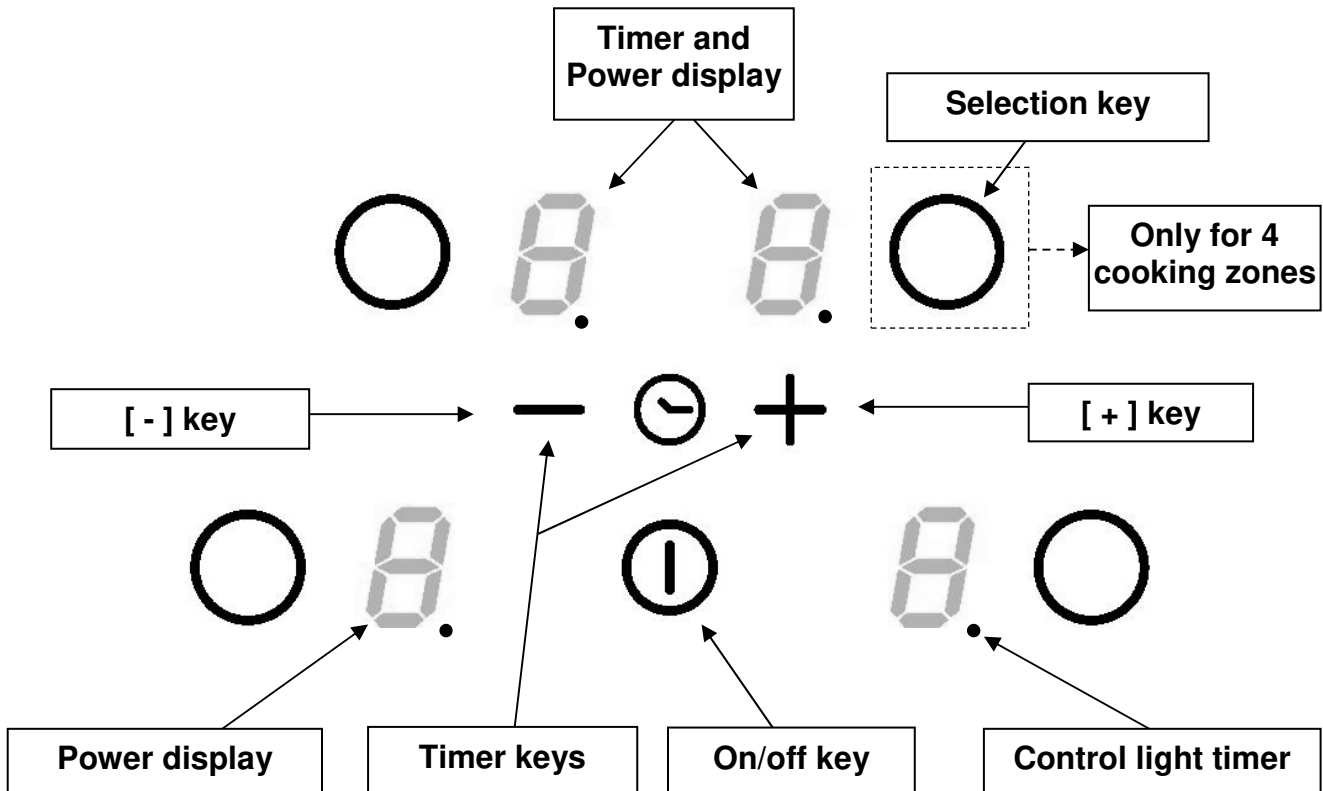
Technical characteristics

Type	P603IC1B2NEE P603IC1B2GNEE	P604IC1B2NEE P604IC1B2GNEE P604IC2B2NEE
Total power	5550 W	7400 W
Energy consumption for the hob EC _{hob} **	167.9 Wh/kg	172.8 Wh/kg
Front left heating zone	195x190 mm	200x190 mm
Minimum detection	Ø 100 mm	Ø 100 mm
Nominal power*	1400 W	1400 W
Booster power*	1850 W	1850 W
Standardised cookware category**	B	C
Energy consumption EC _{cw} **	164 Wh/kg	172.7 Wh/kg
Rear left heating zone	195x190 mm	200x190 mm
Minimum detection	Ø 100 mm	Ø 100 mm
Nominal power*	1400 W	1400 W
Booster power*	1850 W	1850 W
Standardised cookware category**	C	C
Energy consumption EC _{cw} **	172.7 Wh/kg	172.7 Wh/kg
Rear right heating zone	-	Ø 180 mm
Minimum detection	-	Ø 100 mm
Nominal power*	-	1400 W
Booster power*	-	1850 W
Standardised cookware category**	-	B
Energy consumption EC _{cw} **	-	164.0 Wh/kg
Front right heating zone	Ø 200 mm	Ø 180 mm
Minimum detection	Ø 110 mm	Ø 100 mm
Nominal power*	1850 W	1400 W
Booster power*	2100 W	1850 W
Standardised cookware category**	C	A
Energy consumption EC _{cw} **	167.0 Wh/kg	181.6 Wh/kg

* The given power may change according to the dimensions and material of the pan.

** calculated according to the method of measuring performance (EN 60350-2).

Control panel



USE OF THE APPLIANCE

Display

<u>Display</u>	<u>Designation</u>	<u>Function</u>
0	Zero	The heating zone is activated.
1...9	Power level	Selection of the cooking level.
<u>U</u>	Pan detection	No pan or inadequate pan.
<u>E</u>	Error message	Electronic failure.
H	Residual heat	The heating zone is hot.
L	Locking	Control panel locking.
P	Booster	The boosted power is activated.
□	Bridge	2 cooking zones are combined..

Ventilation

The cooling system operates continuously. He starts when turning on the hob and speeds up when the hob is used intensively. The cooling fan reduces its speed and stops automatically when the electronic circuit is cooled enough.

STARTING-UP AND APPLIANCE MANAGEMENT

Before the first use

Clean your hob with a damp cloth, and then dry the surface thoroughly. Do not use detergent which risks causing blue-tinted colour on the glass surface.

Induction principle

An induction coil is located under each heating zone. When it is engaged, it produces a variable electromagnetic field which produces inductive currents in the ferromagnetic bottom plate of the pan. The result is a heating-up of the pan located on the heating zone.

Of course the pan has to be adapted:

- All ferromagnetic pans are recommended (please verify it thanks a little magnet): cast iron and steel pans, enamelled pans, stainless-steel pans with ferromagnetic bottoms...
- Are excluded: copper, pure stainless-steel, aluminium, glass, wood, ceramic, stoneware,...

The induction heating zone adapts automatically the size of the pan. With a too small diameter the pan doesn't work. This diameter is varying in function of the heating zone diameter.

If the pan is not adapted to the induction hob the display will show [U].

Sensitive touch

Your ceramic hob is equipped with electronic controls with sensitive touch keys. When your finger presses the key, the corresponding command is activated. This activation is validated by a control light, a letter or a number in the display and/or a "beep" sound.

In the case of a general use press only one key at the same time.

Starting-up

You must first switching on the hob, then the heating zone:

- **Start-up/ switch off the hob :**

<u>Action</u>	<u>Control panel</u>	<u>Display</u>
To start	Press key [Ⓚ]	[0]
Touch the key	Press key [Ⓚ]	Nothing or [H]

- **Start-up/ switch off a heating zone :**

<u>Action</u>	<u>Control panel</u>	<u>Display</u>
Zone selection	Press selection zone key	[0]
Increase power	Press key [+]	[1] to [9]
Decrease power	Press key [-]	[9] to [1]
Stop	Press key [-]	[0] or [H]

If no action is made within 20 second the electronics returns in waiting position.

Pan detection

The pan detection ensures a perfect safety. The induction doesn't work: :

- If there is no pan on the heating zone or if this pan is not adapted to the induction. In this case it is impossible to increase the power and the display shows [U]. This symbol disappears when a pan is put on the heating zone.
- If the pan is removed from the heating zone the operation is stopped. The display shows [U]. The symbol [U] disappears when the pan is put back to the heating zone. The cooking continues with the power level set before.

After use, switch the heat element off: don't let the pan detection [U] active.

Residual heat indication

After the switch off of a heating zone or the complete stop of the hob, the heating zones are still hot and indicates [H] on the display.

The symbol [H] disappears when the heating zones may be touched without danger.

As far as the residual heat indicators are on light, don't touch the heating zones and don't put any heat sensitive object on them. **There are risks of burn and fire.**

Timer

The timer is able to be used simultaneous with all heating zones and this with different time settings (from 0 to 99 minutes) for each heating zone.

- **Setting and modification of the cooking time :**

<u>Action</u>	<u>Control panel</u>	<u>Display</u>
Zone selection	Press selection zone key	[0]
Increase power	Press key [+]	[1] to [9]
To select « Timer »	Press simultaneously [-] and [+]	Timer [00] min
Decrease the time	Press key [-]	[00] goes to 30,29...
Increase the time	Press key [+]	time increase

After a few seconds the control light stops with blinking.

The time is confirmed and the cooking starts until the time reaches [00].

- **To stop the cooking time :**

<u>Action</u>	<u>Control panel</u>	<u>Display</u>
Zone selection	Press selection zone key	[0]
To select « Timer »	Press simultaneously [-] and [+]	The remaining time
To stop the « Timer »	Press key [-]	[00] then stops

If several timers are activated repeat the process.

- **Automatic stop at the end of the cooking time :**

As soon as the selected cooking time is finished the timer displays blinking [00] and a sound rings. To stop the sound and the blinking it is enough to press any key.

- **Egg timer function :**

<u>Action</u>	<u>Control panel</u>	<u>Display</u>
Activate the hob	Press key [①]	[0] or [H]
Select« Timer »	Press simultaneously [-] and [+]	Timer [00] min
Decrease the time	Press key [-]	[00] goes to 30,29....
Increase the time	Press key [+]	time increase

After a few seconds the control light stops with blinking.

As soon as the selected cooking time is finished the timer displays blinking [00] and a sound rings.

To stop the sound and the blinking it is enough to press any key.

Control panel locking

To avoid modifying a setting of cooking zones, in particular with within the framework of cleaning the control panel can be locked (with exception to the On/Off key [①]).

- **Locking :**

<u>Action</u>	<u>Control panel</u>	<u>Display</u>
Start	Press key [①]	[0] or [H]
Hob locking	Press simultaneously [-] and selection key from the front right zone	No modification
	Repress selection key from the front right zone	[L]

- **Unlocking :**

<u>Action</u>	<u>Control panel</u>	<u>Display</u>
Start	Press key [①]	[L]
<u>In the 5 seconds after start :</u>		
Unlocking the hob	Press simultaneously [-] and selection key from the front right zone	[0]
	Repress key [-]	No light on the displays

Booster function

The booster function [P] grants a boost of power to the selected heating zone.

If this function is activated the heating zones works during 5 minutes with an ultra-high power.

The booster is foreseen for example to heat up rapidly big quantities of water, like nuddles cooking.

- **Start-up / Stop the booster function :**

<u>Action</u>	<u>Control panel</u>	<u>Display</u>
Zone selection	Press selection zone key	[0]
Increase power	Press key [+]	[1] to [9]
Start up the booster	Press key [+]	[P] during 5 min
Stop the booster	Press key [-]	[9]

Bridge function

This function allows to use the 2 cooking zones at same time with the same features as a single cooking zone.

<u>Action</u>	<u>Control panel</u>	<u>Display</u>
Activate the hob	Press key [Ⓞ]	[0] or [H]
Activate the bridge	Press simultaneously the two selection keys	[□] appears on the rear area and [0] on the front area
Increase bridge	Press key [+]	[1 to 9]
Stop the bridge	Press simultaneously the two selection keys	[0] or [H]

Grill function

This function is a shortcut for the bridge function with a cooking level of 4.

<u>Action</u>	<u>Control panel</u>	<u>Display</u>
Activate the hob	Press key [Ⓞ]	[0] or [H]
Activate the grill	Press simultaneously the two selection keys during 3 seconds	[□] appears on the rear area and [4] on the front area
Stop the grill	Press simultaneously the two selection keys during 3 seconds	[0] or [H]

Power Management

The hob is equipped with a power limitation. If you reach the maximum power it will be impossible to increase the power on the different cooking zones and a beep signal will sound.

- For the 4 cooking zones, the limitation is set at 7400 W by the factory but it is possible to change it to 3700 W, 4800 W or 5600 W.
- For the 3 cooking zones, the limitation is set at 5550 W by the factory but it is possible to change it to 3700 W or 4800 W.

Power limitation configuration

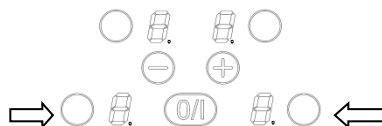
Before beginning the procedure:

- Make sure there is no more pot on the hob
- Disconnect the appliance from the grid by removing the fuse or turning the circuit breaker off.
- Reconnect the table to the grid
- Start the procedure within 2 minutes after reconnecting the hob to the grid
- Make sure all cooking zones are off.

Procedure:

To set the power limitation, you must:

- 1) Press simultaneously the two key of the bottom zones during 3 seconds. A beep will sound and the current power is displayed.
- 2) To set the power limitation use the [+] and [-]. To exit the procedure without saving your changes, don't touch any key for 60 seconds.
- 3) To save the new power limitation, re-press the two key of the bottom zones during 3 seconds. Once the new limitation registered, a beep will sound.



COOKING ADVICES

Pan quality

Adapted materials : steel, enamelled steel, cast iron, ferromagnetic stainless-steel, aluminium with ferromagnetic bottom.

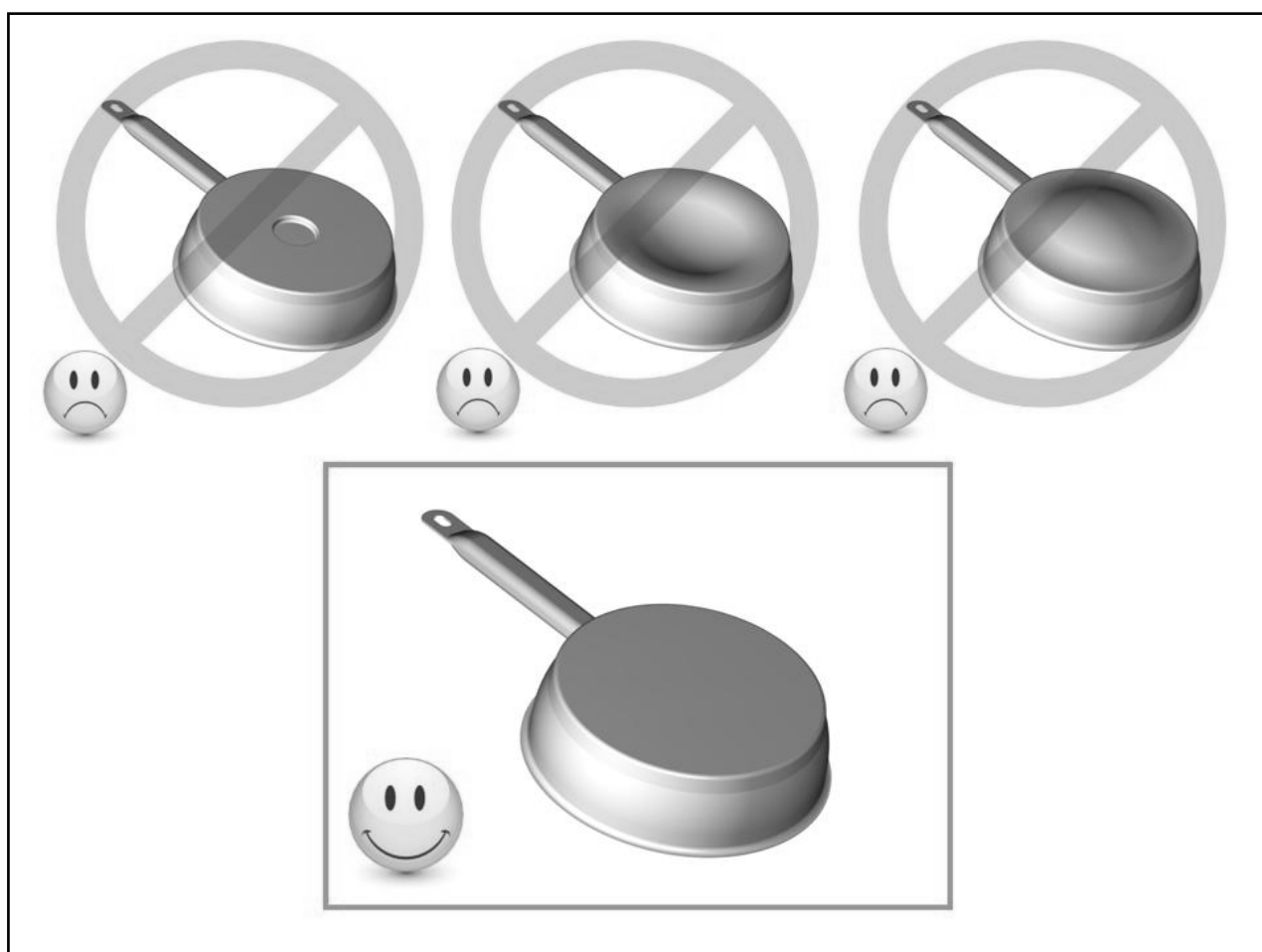
Not adapted materials : aluminium and stainless-steel without ferromagnetic bottom, copper, brass, glass, ceramic, porcelain.

The manufacturers specify if their products are compatible induction.

To check if pans are compatibles :

- Put a little water in a pan placed on an induction heating zone set at level [9]. This water must heat in a few seconds.
- A magnet sticks on the bottom of the pan.

Certain pans can make noise when they are placed on an induction cooking zone. This noise doesn't mean any failure on the appliance and doesn't influence the cooking operating.



Pan dimension

The cooking zones are, until a certain limit, automatically adapted to the diameter of the pan. However the bottom of this pan must have a minimum of diameter according to the corresponding cooking zone.

To obtain the best efficiency of your hob, please place the pan well in the centre of the cooking zone.

Examples of cooking power setting

(the values below are indicative)

1 to 2	Melting Reheating	Sauces, butter, chocolate, gelatine Dishes prepared beforehand
2 to 3	Simmering Defrosting	Rice, pudding, sugar syrup Dried vegetables, fish, frozen products
3 to 4	Steam	Vegetables, fish, meat
4 to 5	Water	Steamed potatoes, soups, pasta, fresh vegetables
6 to 7	Medium cooking Simmering	Meat, lever, eggs, sausages Goulash, roulade, tripe
7 to 8	Cooking	Potatoes, fritters, wafers
9	Frying, roasting, boiling water	Steaks, omelettes, fried dishes, water
P	Frying, roasting Boiling water	scallops, steaks Boiling significant quantities of water

MAINTENANCE AND CLEANING

Switch-off the appliance before cleaning.

Do not clean the hob if the glass is too hot because they are **risk of burn**.

- Remove light marks with a damp cloth with washing up liquid diluted in a little water. Then rinse with cold water and dry the surface thoroughly.
- Highly corrosive or abrasive detergents and cleaning equipment likely to cause scratches must be absolutely avoided.
- Do not ever use any steam-cleaner or pressure washer.
- Do not use any object that may scratch the ceramic glass.
- Ensure that the pan is dry and clean. Ensure that there are no grains of dust on your ceramic hob or on the pan. Sliding rough saucepans will scratch the surface.
- Spillages of sugar, jam, jelly, etc. must be removed immediately. You will thus prevent the surface being damaged.

WHAT TO DO IN CASE OF A PROBLEM

The hob or the cooking zone doesn't start-up :

- The hob is badly connected on the electrical network.
- The protection fuse cut-off.
- The locking function is activated.
- The sensitive keys are covered with grease or water.
- An object is put on a key.

The control panel displays [U] :

- There is no pan on the cooking zone.
- The pan is not compatible with induction.
- The bottom diameter of the pan is too small.

The control panel displays [E] :

- Disconnect and reconnect the hob.
- Call the After-sales Service.

One or all cooking zone cut-off :

- The safety system functioned.
- You forgot to cut-off the cooking zone for a long time.
- One or more sensitive keys are covered.
- The pan is empty and its bottom overheated.
- The hob also has an automatic reduction of power level and breaking Automatic overheating

Continuous ventilation after cutting off the hob :

- This is not a failure, the fan continuous to protect the electronic device.
- The fan cooling stops automatically.

The control panel displays [L] :

- Refer to the chapter control panel locking page.

The control panel displays [Er03] :

- An object or liquid covers the control keys. The symbol disappears as soon as the key is released or cleaned.

The control panel displays [E2] or [EH] :

- The hob is overheated, let it cool and then turn it on again.

The control panel displays [E3] :

- The pan is not adapted, change the pan.

The control panel displays [E5] :

- Defective network. Control the voltage of the electrical network.

The control panel displays [E6] :

- Defective network. Control the frequency of the electrical network.

The control panel displays [E8] :

- The air inlet of the ventilator is obstructed, release it.

The control panel displays [U400] :

- The hob is not connected to the network. Check the connection and reconnect the hob.

If one of the symbols above persists, call the SAV.

ENVIRONMENT PRESERVATION

- The materials of packing are ecological and recyclable.
- The electronic appliances are composed of recyclable, and sometimes harmful materials for the environment, but necessary to the good running and the safety of the appliance.

- Don't throw your appliance with the household refuses
 - Get in touch with the waste collection centre of your commune that is adapted to the recycling of the household appliances.

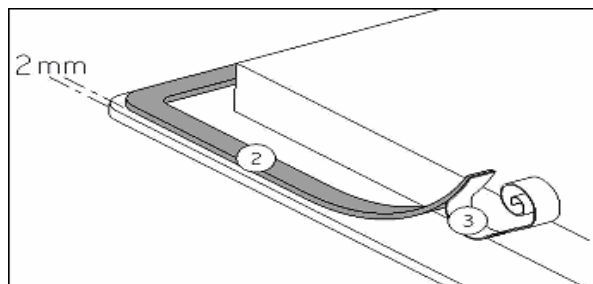


INSTALLATION INSTRUCTIONS

The installation is the exclusive responsibility of specialists.

The user of this appliance is held to respect the legislation and the standards enforced in his home country.

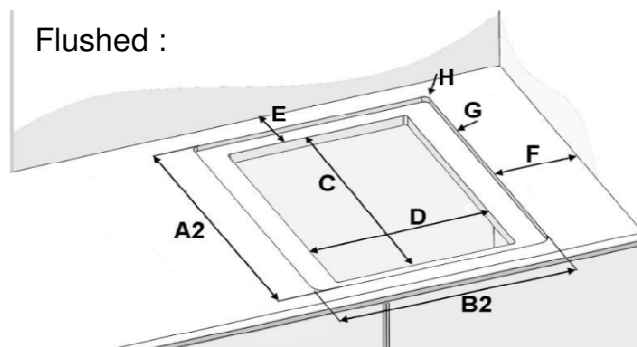
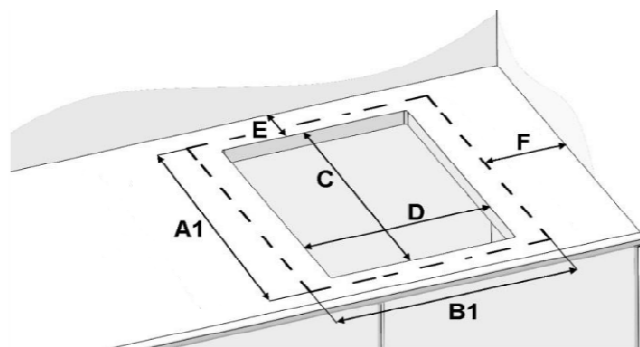
How to stick the gasket:



Stick the gasket (2) two millimetres from the external edge of the glass, after removing the protection sheet (3).

Fitting - installing:

- The dimensions are:



	Glass size		Cut-out size		Rear	Side	Radius	Cut size		Deep
	A1	B1	C	D	E	F	H	A2	B2	G
P603IC1B2NEE P603IC1B2GNEE P604IC1B2NEE P604IC1B2GNEE P604IC2B2NEE	520	590	490	560	50	40	8	526	596	5

- **Ensure that there is a distance of 50 mm between the hob and the wall or sides.**
- The hobs are classified as “Y” class for heat protection. Ideally the hob should be installed with plenty of space on either side. There may be a wall at the rear and tall units or a wall at one side. **On the other side, however, no unit or device can be higher than the hob.**
- The piece of furniture or the support in which the hob is to be fitted, as well as the edges of furniture, the laminate coatings and the glue used to fix them, must be able to resist temperatures of up to 100 °C.
- The mural rods of edge must be heat-resisting.
- Do not install the hob to the top of a non- ventilated oven or a dishwasher.
- The supporting countertop must be able to support the weight of the induction cooktop which is approximately 20kg.
- To ensure the induction cooktop adheres correctly to the countertop, after having applied the gasket/silicone, place evenly distributed weights on the cooktop (pots filled with water may be used).
- To ensure good air circulation of the electronic device, maintain a space of 20 mm under the bottom of the hob casing.
- If a drawer is placed under the work, avoid putting flammable objects in this drawer (for example: sprays) or non-heat-resistant objects.
- Materials which are often used to make worktops expand on contact with water. To protect the cut-out edge, apply a coat of varnish or special sealant. Particular care must be given when applying the adhesive joint supplied with the hob to prevent any leakage into the supporting furniture. This gasket guarantees a correct seal when used in conjunction with smooth work top surfaces.
- The safety gap between the hob and the cooker hood placed above must respect the indications of the hood manufacturer. Respect a distance of at least 760 mm if you do not have further instructions.
- The connecting cable cannot be subjected to mechanical constraint (e.g. a drawer) after construction.
- **WARNING:** Use only hob guards designed by the manufacturer of the cooking appliance or indicated by the manufacturer of the appliance in the instructions for use as suitable or hob guards incorporated in the appliance. The use of inappropriate guards can cause accidents.

ELECTRICAL CONNECTION

- The installation of this appliance and the connection to the electrical network should be entrusted only to an electrician perfectly to the fact of the normative regulations and which respects them scrupulously.
- Protection against the parts under tension must be ensured after the building-in.
- The data of connection necessary are on the stickers place on the hob casing near the connection box.
- The connection to the main must be made using an earthed plug or via an omnipolar circuit breaking device with a contact opening of at least 3 mm.
- The electrical circuit must be separated from the network by adapted devices, for example: circuit breakers, fuses or contactors.
- If the appliance is not fitted with an accessible plug, disconnecting means must be incorporated in the fixed installation, in accordance with the installation regulations.
- The inlet hose must be positioned so that it does not touch any of the hot parts of the hob or even.

Caution!

This appliance has only to be connected to a network 230 V~ 50/60 Hz.

Connect always the earth wire.

Respect the connection diagram.

The connection box is located underneath at the back of the hob casing. To open the cover use a medium screwdriver. Place it in the slits and open the cover.

Mains	Connection	Cable diameter	Cable	Protection calibre
230V~ 50/60Hz	1 Phase + N	3 x 2,5 mm ²	H 05 VV - F H 05 RR - F	25 A *
400V~ 50/60Hz	2 Phases + N	4 x 1.5 mm ²	H 05 VV - F H 05 RR - F	16 A *

* calculated with the simultaneous factor following the standard EN 60 335-2-6

Connection of the hob

Setting up the configurations:

For the various kinds of connection, use the brass bridges which are in the box next the terminal

Monophase 230V~1P+N

Put a bridge between terminal L1 and L2.

Put a bridge between terminal N1 and N2.

Attach the earth to the terminate "earth".

Attach the neutral N to one of the terminals N1 or N2.

Attach the Phase L to one of the terminals L1 or L2.

Biphase 400V~2P+N

Put a bridge between terminal N1 and N2.

Attach the earth to the terminate "earth",

Attach the neutral N to one of the terminals N1 or N2,

Attach the Phase L1 to the terminals L1

Attach the Phase L2 to the terminal L2.

We cannot be held responsible for any incident resulting from incorrect connection or which could arise from the use of an appliance which has not been earthed or has been equipped with a faulty earth connection.

Gentile Cliente,

Grazie per avere scelto il nostro piano di cottura a induzione.

Siete pregati di leggere attentamente le informazioni contenute nel presente manuale prima di mettere in funzione l'apparecchio.

INDICE

SICUREZZA.....	21
PRECAUZIONI PRIMA DEL PRIMO UTILIZZO.....	21
ISTRUZIONI DI SICUREZZA	22
PRECAUZIONI ONDE NON DANNEGGIARE L'APPARECCHIO.....	23
PRECAUZIONI IN CASO DI MALFUNZIONAMENTO DELL'APPARECCHIO.....	24
ALTRE PRECAUZIONI	24
DESCRIZIONE DELL'APPARECCHIO.....	24
DATI TECNICI.....	25
PANNELLO DI CONTROLLO	26
USO DELL'APPARECCHIO.....	26
DISPLAY	26
VENTILAZIONE	26
PRIMA ACCENSIONE E UTILIZZO DELL'APPARECCHIO.....	27
PRIMA DEL PRIMO UTILIZZO.....	27
PRINCIPIO DELL'INDUZIONE.....	27
TASTI A SFIORAMENTO	27
PER INIZIARE.....	27
IDENTIFICAZIONE DELLA PENTOLA.....	27
INDICATORE DI CALORE RESIDUO.....	28
TIMER.....	28
BLOCCO DEL PANNELLO DI CONTROLLO	29
FUNZIONE BOOSTER.....	29
FUNZIONE „PONTE“	29
FUNZIONE „GRILL“.....	29
POWER MANAGEMENT	30
CONFIGURAZIONE DI LIMITAZIONE DELLA POTENZA.....	30
SUGGERIMENTI DI COTTURA	31
QUALITÀ DELLE PENTOLE.....	31
DIMENSIONI DELLE PENTOLE.....	31
ESEMPI DI REGOLAZIONE DELLA POTENZA	32
MANUTENZIONE E PULIZIA	32
COSA FARE IN CASO DI PROBLEMI.....	32
PROTEZIONE DELL'AMBIENTE.....	33
ISTRUZIONI DI INSTALLAZIONE.....	34
CONNESSIONE ELETTRICA.....	36

Precauzioni prima del primo utilizzo

- Sballare eliminando tutti i materiali di imballo.
- L'installazione e connessione dell'apparecchio devono essere effettuate da personale specializzato. Il fabbricante declina ogni responsabilità civile e penale per danni causati da installazione e/o connessione non realizzate a regola d'arte. Per essere utilizzato, l'apparecchio deve essere correttamente installato in una cucina e su una superficie di lavoro idonea.
- Per essere utilizzato, l'apparecchio deve essere correttamente installato in una cucina e su una superficie di lavoro idonea attenendosi naturalmente alle disposizioni di sicurezza vigenti in materia.
- Questo elettrodomestico è progettato esclusivamente per la cottura di cibo, con l'espressa esclusione di ogni altro uso domestico, commerciale o industriale.
- Rimuovere tutte le etichette adesive dal vetro.
- Non apportare alcuna modifica o alterazione all'apparecchio.
- La superficie in vetro dell'apparecchio non può essere utilizzata come zona di appoggio o di lavoro.
- L'apparecchio deve essere opportunamente messo a terra e collegato alla rete elettrica secondo la normativa in vigore localmente.
- Non usare nessuna prolunga elettrica per collegare il cavo di alimentazione.
- L'apparecchio non può essere utilizzato sopra una lavastoviglie o una asciugatrice: il vapore potrebbe danneggiare i componenti elettronici dell'apparecchio.
- Questo apparecchio non è da utilizzare con un timer esterno o un telecomando separato.

Istruzioni di sicurezza

- La parte elettronica (relais) può provocare durante l'esercizio rumori udibili di attivazione. Può essere percepibile anche la ventola di raffreddamento. La ventola di raffreddamento può continuare a girare anche dopo la fine del processo di cottura per raffreddare i componenti elettronici. Ciò non significa che il piano ad induzione sia difettoso o che funzioni in modo anomalo e il piano di cottura funziona senza problemi.
- Spegnerle le zone di cottura dopo l'uso.
- Grassi ed olii surriscaldati prendono facilmente fuoco. Controllare le cotture che utilizzano grasso o olio: potrebbero incendiarsi con facilità.
- Le zone di cottura si riscaldano durante la cottura. Fare attenzione a non ustionarsi durante o dopo l'uso dell'apparecchio.
- Verificare che nessun cablaggio di apparecchi fissi o mobili venga in contatto con il vetro dell'apparecchio o con pentole bollenti.
- Gli oggetti magnetici (carte di credito, floppy discs, calcolatrici) non devono essere piazzati vicino all'apparecchio quando questo è acceso. Questi oggetti potrebbero danneggiarsi.
- Gli oggetti metallici quali coltelli, forchette, cucchiari e coperchi non devono essere piazzati sull'apparecchio perché potrebbero diventare incandescenti.
- Gli oggetti metallici quali cucchiari e coperchi non devono essere piazzati sull'apparecchio ad induzione perché potrebbero diventare incandescenti.
- Non coprire mai l'apparecchio con un panno o telo protettivo, perché potrebbe surriscaldarsi e bruciare.
- Questo apparecchio può essere usato da bambini con una età minima di otto anni e da persone le cui capacità fisiche, sensoriali o mentali sono ridotte, o le cui esperienze e conoscenze sono inadatte, unicamente se sotto sorveglianza e dietro formazione sull'uso dell'apparecchio, in condizioni di sicurezza e dopo essere state informate sui rischi in cui potrebbero incorrere.
- I bambini non devono giocare con l'apparecchio.
- La pulizia e la manutenzione non possono essere affidate a bambini senza la sorveglianza di un adulto.

Precauzioni onde non danneggiare l'apparecchio

- Pentole con fondo graffiato o danneggiato possono danneggiare il vetro ceramico. Le pentole potrebbero graffiare la superficie in vetroceramica.
- Sabbia o altre sostanze abrasive possono danneggiare il vetro ceramico.
- Il vetro ceramico non è sensibile agli shock termici ed è molto resistente, non è tuttavia infrangibile. Evitare di far cadere oggetti, anche piccoli, sul vetro ceramico.
- Non colpire i bordi del vetro con le pentole.
- Non mettere o lasciare pentole vuote sul vetro ceramico.
- Lo zucchero, i materiali sintetici e i fogli di alluminio non devono venire a contatto con le zone riscaldante, perché possono causare rotture o altre alterazioni del vetro ceramico durante il raffreddamento. Nel caso, accendere immediatamente l'apparecchio e rimuovere l'oggetto dalla zona di cottura, prendendo le opportune precauzioni per non ustionarsi.
- Pericolo di incendio! Non appoggiare alcun oggetto sul piano di cottura.
- Non piazzare mai un contenitore bollente sul pannello di controllo. L'elettronica sotto il vetro potrebbe danneggiarsi.
- Se sotto il piano cottura incassato c'è un cassetto, assicurarsi che lo spazio tra il contenuto dello stesso e la parte inferiore dell'apparecchio sia sufficiente (almeno 2 cm) per evitare contatti accidentali.
- Non mettere mai oggetti infiammabili (ad es. spray) nel cassetto situato sotto l'apparecchio. Gli eventuali contenitori per posate posti in cassette sotto l'apparecchio devono essere resistenti al calore.
- Non riscaldare contenitori chiusi (per es. barattoli di conserve) sulle zone cottura. A causa della conseguente sovrappressione i contenitori e/o i barattoli possono scoppiare, e sussiste il pericolo di lesioni!

Precauzioni in caso di malfunzionamento dell'apparecchio

- Se si nota un difetto di funzionamento, spegnere l'apparecchio e disconnetterlo dalla rete elettrica.
- Se il vetro ceramico è rotto o crepato: disconnettere immediatamente l'apparecchio dalla rete elettrica, svitando e rimuovendo il fusibile e chiamare l'assistenza tecnica.
- Qualsiasi riparazione deve essere compiuta esclusivamente da personale qualificato.
- **ATTENZIONE!** Se la superficie del vetro è crepata o rotta, spegnere immediatamente l'apparecchio per evitare il rischio di scosse elettriche.

Altre precauzioni

- Assicurarsi che la pentola o padella sia sempre centrata sulla zona di cottura. Il fondo dell'utensile deve coprire il più possibile la zona di cottura.
- Per gli utilizzatori di pace-makers: il campo magnetico dell'apparecchio potrebbe influenzare il funzionamento del pace-maker. Si raccomanda di richiedere preventivamente informazioni al venditore dell'apparecchio e/o al medico curante.
- Non utilizzare contenitori di alluminio o di materiali sintetici! Potrebbero fondere se appoggiati alle zone accese o ancora calde dopo l'uso.
- Non utilizzare mai acqua per spegnere il fuoco. Disattivare la zona di cottura. Soffocare le fiamme con un coperchio, una coperta ignifuga o qualcosa di simile.

L'UTILIZZO DI PENTOLE NON IDONEE OPPURE DI ACCESSORI RIMUOVIBILI POSTI TRA LA PENTOLA E LA PIASTRA PER RISCALDARE PENTOLE NON IDONEE ALL'INDUZIONE FA DECADERE LA GARANZIA. IL COSTRUTTORE NON PUÒ ESSERE CONSIDERATO RESPONSABILE PER QUALSIASI DANNO AL PIANO DI COTTURA O DANNI CORRELATI.



DESCRIZIONE DELL'APPARECCHIO

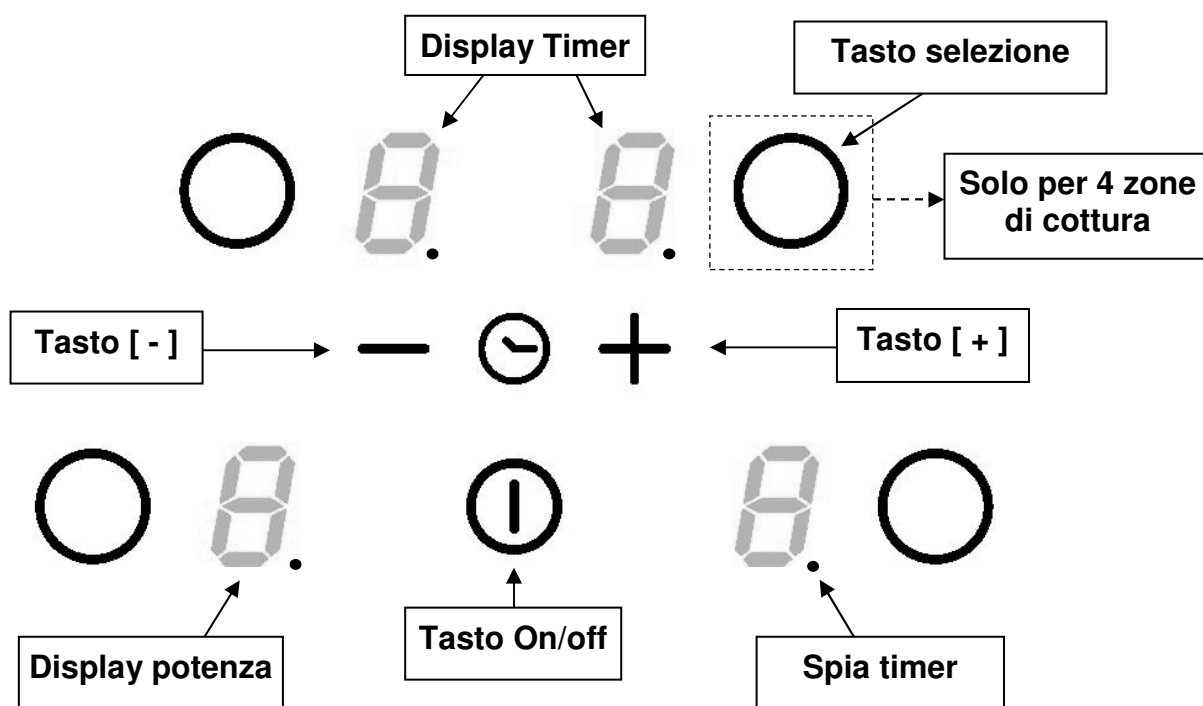
Dati tecnici

Typo	P603IC1B2NEE P603IC1B2GNEE	P604IC1B2NEE P604IC1B2GNEE P604IC2B2NEE
Potenza totale	5550 W	7400 W
Consumo di energia del piano cottura EC _{hob} **	167.9 Wh/kg	172.8 Wh/kg
Posizione anteriore sinistra	195x190 mm	200x190 mm
Identificazione minimo	Ø 100 mm	Ø 100 mm
Potenza nominale *	1400 W	1400 W
Potenza booster *	1850 W	1850 W
Categoria standard di pentola **	B	C
Consumo di energia EC _{cw} **	164 Wh/kg	172.7 Wh/kg
Posizione posteriore sinistra	195x190 mm	200x190 mm
Identificazione minimo	Ø 100 mm	Ø 100 mm
Potenza nominale *	1400 W	1400 W
Potenza booster *	1850 W	1850 W
Categoria standard di pentola **	C	C
Consumo di energia EC _{cw} **	172.7 Wh/kg	172.7 Wh/kg
Posizione posteriore destra	-	Ø 180 mm
Identificazione minimo	-	Ø 100 mm
Potenza nominale *	-	1400 W
Potenza booster *	-	1850 W
Categoria standard di pentola **	-	B
Consumo di energia EC _{cw} **	-	164.0 Wh/kg
Posizione anteriore destra	Ø 200 mm	Ø 180 mm
Identificazione minimo	Ø 110 mm	Ø 100 mm
Potenza nominale *	1850 W	1400 W
Potenza booster *	2100 W	1850 W
Categoria standard di pentola **	C	A
Consumo di energia EC _{cw} **	167.0 Wh/kg	181.6 Wh/kg

* La Potenza dichiarata può cambiare a seconda delle dimensioni e del material della pentola.

** metodo di misura delle prestazioni secondo la norma (EN60350-2)

Pannello di controllo



USO DELL'APPARECCHIO

Display

<u>Display</u>	<u>Descrizione</u>	<u>Funzione</u>
0	Zero	La piastra è attivata.
1...9	Livello potenza	Selezione del livello di potenza.
<u>U</u>	Sensore pentola	Pentola assente o non adatta
<u>E</u>	Messaggio di errore	Difetto elettronico
H	Calore residuo	La piastra è calda
L	Blocco	Blocco del pannello di controllo
P	Booster	Booster è attivata.
Π	Ponte	Due zone di cottura sono collegati

Ventilazione

Il sistema di raffreddamento è completamente automatico. La ventola entra in funzione a basso regime di rotazione quando il calore interno raggiunge un determinato livello. La ventilazione arriva ad elevati regimi di rotazione se l'apparecchio è utilizzato intensivamente. La ventola rallenta e si spegne automaticamente quando la temperatura interna del circuito elettronico scende sotto il livello prestabilito.

PRIMA ACCENSIONE E UTILIZZO DELL'APPARECCHIO

Prima del primo utilizzo

Pulire l'apparecchio con uno straccio umido, indi asciugarlo accuratamente. Non utilizzare detergenti che possano causare colorazioni anomale del vetro.

Principio dell'induzione

Sotto ogni piastra riscaldante si trova un magnete induttore. Quanto viene attivato, questo produce un campo elettromagnetico che genera una corrente induttiva nel fondo ferromagnetico della pentola. Il risultato è il riscaldamento della pentola posizionata sulla piastra.

Naturalmente, la pentola deve essere adatta:

- Tutte le pentole in materiale ferromagnetico sono consigliate (verificare utilizzando una calamita): pentole in ghisa, acciaio, smaltate e di acciaio inossidabile con fondo ferromagnetico...
- Da escludere: pentole in rame, acciaio inossidabile senza fondo ferromagnetico, alluminio, vetro, legno, ceramica, terracotta...

La piastra a induzione si adatta automaticamente alla dimensione della pentola: se il diametro di quest'ultima è troppo piccolo tuttavia, la piastra non funziona. Il diametro minimo varia in funzione del diametro della piastra.

Se la pentola non è adatta al piano di cottura a induzione, il display mostrerà la lettera [U].

Tasti a sfioramento

Il vostro piano cottura a induzione è equipaggiato con controlli elettronici azionati tramite tasti a sfioramento. Quando il dito tocca il tasto, il comando corrispondente viene attivato. L'attivazione è confermata dalla spia relativa, o da una lettera o un numero sul display e/o da un segnale acustico.

Nell'utilizzo normale premere unicamente un tasto per volta.

Per iniziare

- **Accensione/spegnimento dell'apparecchio:**

<u>Azione</u>	<u>Pannello di controllo</u>	<u>Display</u>
Per accendere	premere [①]	[0] lampeggiando
Per arrestare	premere [①]	niente o [H]

- **Accensione/Spegnimento di una piastra riscaldante:**

<u>Azione</u>	<u>Pannello di controllo</u>	<u>Display</u>
Selezione piastra	premere tasto selezione	[0]
Aumentare la potenza	premere [+]	da [1] a [9]
Diminuire la potenza	premere [-]	da [9] a [1]
Arrestare	premere [-]	[0] o [H]

Se nessuna regolazione è effettuata entro 20 secondi l'apparecchio torna in modalità di attesa.

Identificazione della pentola

L'identificazione della pentola assicura la totale sicurezza.

L'induzione non funziona:

- Se non c'è pentola sulla piastra, o se la pentola non è adatta all'induzione. In questo caso è impossibile aumentare la Potenza e il display mostra [U]. Questo simbolo scompare quando si posiziona una pentola adatta sulla piastra.
- Se la pentola viene rimossa dalla piastra di cottura: la cottura si arresta e il display mostra [U]. Il simbolo [U] scompare quando la pentola è posizionata nuovamente sulla piastra. La cottura ricomincia con il livello di potenza scelto precedentemente.

Dopo l'utilizzo, spegnere la piastra a induzione: non lasciare il simbolo [U] del sensore pentola acceso.

Indicatore di calore residuo

Dopo aver spento l'apparecchio, la piastra è ancora calda e il display indica [H].

Il simbolo [H] scompare quando la piastra può essere toccata senza pericolo di bruciature.

Finché la spia di calore residuo è accesa, non toccare la piastra né posizionarvi alcun oggetto sensibile al calore: c'è rischio di bruciature o incendi.

Timer

Il timer può essere utilizzato con entrambe le piastre simultaneamente e con regolazioni diverse (da 0 a 99 minuti) per ognuna di esse.

- **Regolazione e modifica del tempo di cottura :**

<u>Azione</u>	<u>Pannello di controllo</u>	<u>Display</u>
Selezione piastra	premere tasto selezione	[0]
Selezionare il livello di potenza	premere [+] o [-]	[1]...[9] [P]
Selezionare « Timer »	premere simultaneamente [+] e [-]	[00]
Diminuire il tempo	premere [-]	[00] passa a 30, 29, 28...
Aumentare il tempo	premere [+]	il tempo aumenta

Dopo qualche secondo la spia smette di lampeggiare.
Il tempo è confermato e la cottura inizia.

- **Per arrestare il tempo di cottura**

<u>Azione</u>	<u>Pannello di controllo</u>	<u>Display</u>
Selezione piastra	premere tasto selezione	spia accesa
Selezionare « Timer »	premere simultaneamente [+] e [-]	il tempo residuo
Disattivare « Timer »	premere [-]	Mostra [00] poi si arresta

- **Arresto automatico alla fine del tempo di cottura**

Quando viene raggiunto il tempo impostato per la cottura, il display del timer lampeggia su [00], viene prodotto un segnale acustico e la piastra si spegne. Per arrestare il segnale acustico è sufficiente premere un tasto.

- **Funzione timer al di fuori della cottura:**

<u>Azione</u>	<u>Pannello di controllo</u>	<u>Display</u>
Attivare l'apparecchio	premere display [①]	spie piastra accese
Selezionare « Timer »	premere simultaneamente [+] e [-]	[00]
Diminuire il tempo	premere [-]	[00] passa a 30, 29, 28...
Aumentare il tempo	premere [+]	il tempo aumenta

Dopo qualche secondo la spia smette di lampeggiare.
Appena il tempo impostato è raggiunto i display del timer lampeggiano a [00] e si avverte un segnale acustico. Per arrestare il segnale acustico è sufficiente premere un tasto. L'apparecchio si spegne.

Blocco del Pannello di Controllo

Per evitare di modificare inavvertitamente una regolazione, in particolare durante le operazioni di pulizia, il Pannello di controllo può essere bloccato (con l'eccezione del tasto On/Off [①]).

- **Blocco:**

<u>Azione</u>	<u>Pannello di controllo</u>	<u>Display</u>
Attivare l'apparecchio	premere display [①]	[0] o [H]
Blocco dell'apparecchio	Premere simultaneamente [-] e tasto selezione della piastra anteriore destra	Nessun cambiamento
	Premere di nuovo tasto selezione	[L]

- **Sblocco:**

<u>Azione</u>	<u>Pannello di controllo</u>	<u>Display</u>
Attivare l'apparecchio	premere display [①]	[L]
Entro 5 secondi dall'accensione:		
Sblocco dell'apparecchio	Premere simultaneamente [-] e tasto selezione della piastra anteriore destra	[0]
	Premere di nuovo tasto [-]	Nessuna spia sui display

Funzione Booster

La funzione Booster [P] garantisce un aumento di potenza alla piastra selezionata. Quando la funzione viene attivata, la piastra funziona per 5 minuti ad una potenza molto elevata. Il Booster serve ad esempio per riscaldare rapidamente grandi quantità d'acqua.

- **Accensione/Spegnimento della funzione Booster:**

<u>Azione</u>	<u>Pannello di controllo</u>	<u>Display</u>
Selezione piastra	premere tasto selezione	[0]
Aumentare la potenza	premere [+]	da [1] a [9]
Attivare il booster	premere [+]	[P] per 5 minuti
Arrestare il booster	premere [-]	[9]

Funzione „ponte“

La funzione consente di collegare due zone di cottura come se si trattasse di un'unica zona.

<u>Azione</u>	<u>Pannello di controllo</u>	<u>Display</u>
Attivare l'apparecchio	premere display [①]	[0] o [H]
Attivare il „ponte“	premere contemporaneamente di entrambe le zone di cottura	[□] zona anteriore [0] zona posteriore
Aumentare la potenza	premere [+]	da [1] a [9]
Disattivare il ponte	premere [-]	[0] o [H]

Funzione „grill“

La funzione consente di collegare due zone di cottura come se si trattasse di un'unica zona con un livello di cottura di 4.

<u>Azione</u>	<u>Pannello di controllo</u>	<u>Display</u>
Attivare l'apparecchio	premere display [①]	[0] o [H]
Attivare il „grill“	premere contemporaneamente di entrambe le zone di cottura per 3s	[□] zona anteriore [4] zona posteriore
Disattivare il „grill“	premere contemporaneamente di entrambe le zone di cottura per 3s	[0] o [H]

Power Management

Il piano di cottura è dotato di una limitazione della potenza. Se si raggiunge la potenza massima sarà impossibile aumentare la potenza sulle diverse zone di cottura e un segnale acustico avviserà di questo.

- Per un piano cottura a 4 zone, il limite è impostato in fabbrica a 7400 W, ma può essere cambiato a 3700 W, 4800 W o 5600 W.
- Per un piano cottura a 3 zone, il limite è impostato in fabbrica a 5550 W, ma può essere cambiato a 3700 W o 4800 W.

Configurazione di limitazione della potenza

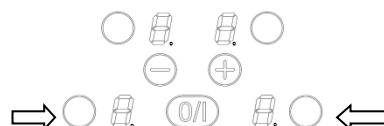
Prima di iniziare la procedura:

- Assicurarsi che non ci sia nessuna pentola sul piano cottura
- Staccare l'apparecchio dalla corrente togliendo il fusibile o girando l'interruttore spento.
- Ricollegare il piano cottura alla corrente
- Avviare la procedura entro 2 minuti dopo aver ricollegato il piano di cottura alla corrente
- Assicurarsi che tutte le zone di cottura sono spente.

procedimento:

Per impostare la limitazione della potenza è necessario:

1) Premere contemporaneamente i due tasti delle zone inferiori per 3 secondi. Un segnale acustico suonerà e la potenza selezionata sarà visualizzata.



2) Per impostare la limitazione della potenza, utilizzare i tasti [+] e [-]. Per uscire dalla procedura senza salvare le modifiche, non toccare alcun tasto per 60 secondi.

3) Per salvare il nuovo limite di potenza, ri-premere i due tasti delle due zone inferiori per 3 secondi. Una volta che la nuova limitazione sarà registrata, verrà emesso un segnale acustico.

SUGGERIMENTI DI COTTURA

Qualità delle pentole

Materiali adatti : acciaio, acciaio smaltato, ghisa, acciaio inox ferromagnetico, alluminio con fondo ferromagnetico.

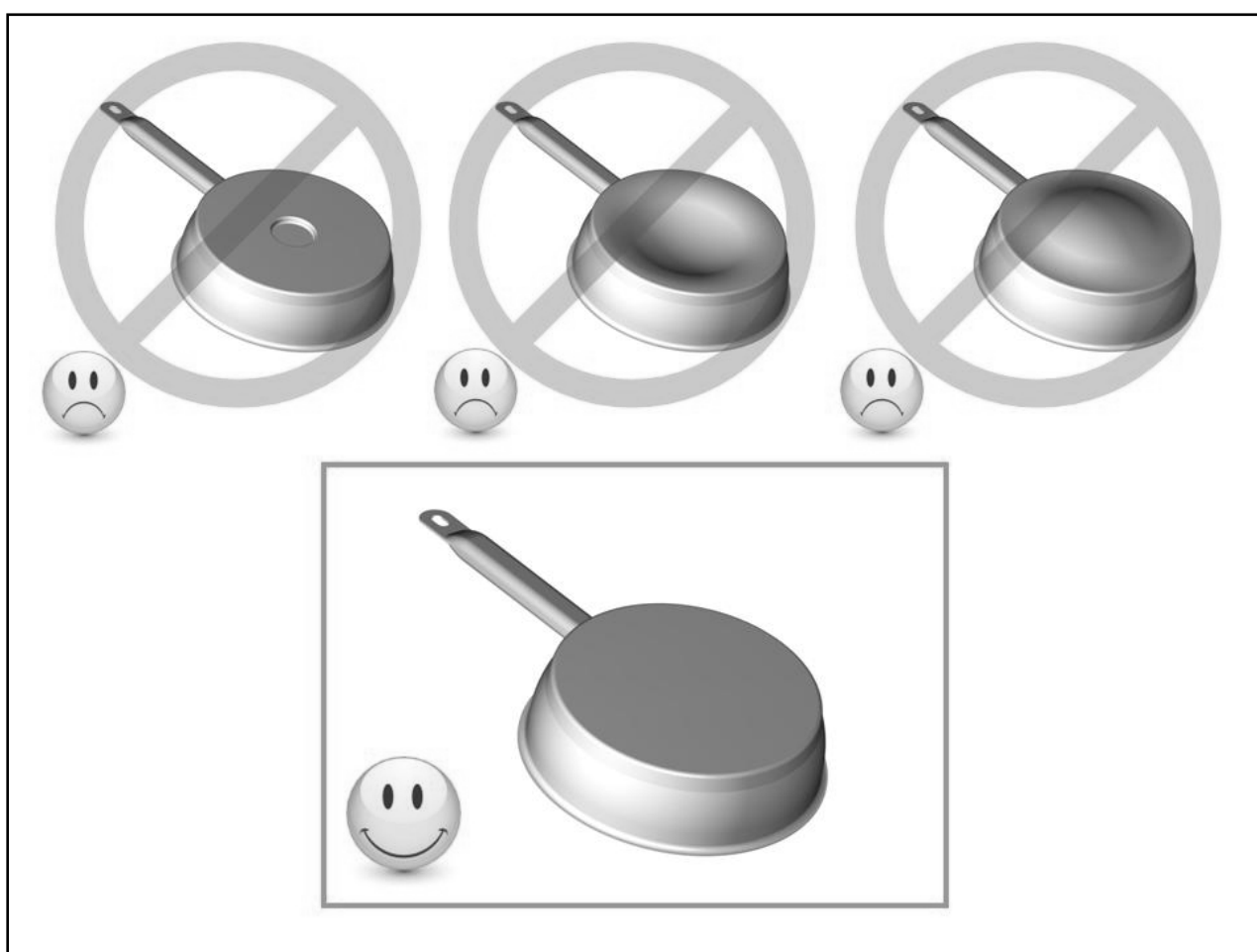
Materiali non adatti: alluminio e acciaio inox con fondo non ferromagnetico, rame, ottone, vetro, ceramica, porcellana.

Il fabbricante degli utensili specifica se essi sono compatibili con piani di cottura a induzione.

Per verificare se gli utensili (pentole) sono compatibili:

- Mettere un litro d'acqua nella pentola e posizionarla sulla piastra a induzione a livello di potenza [9]. L'acqua si deve scaldare in pochi secondi.
- Un magnete (calamita) deve aderire al fondo della pentola.

Alcune pentole possono fare rumore quando vengono utilizzate sulla piastra a induzione. Questo rumore non comporta alcun malfunzionamento dell'apparecchio e non ne influenza il funzionamento e/o l'efficacia di cottura.



Dimensioni delle pentole

Le piastre di cottura si adattano automaticamente, entro un certo limite, al diametro delle pentole. Tuttavia la pentola deve avere un diametro minimo, a seconda delle dimensioni della piastra.

Per ottenere l'efficienza migliore dal vostro apparecchio, posizionate la pentola nel centro della piastra.

Esempi di regolazione della potenza

(I valori sotto sono indicativi)

Da 1 a 2	Sciogliere Riscaldare	Salse, burro, cioccolata, gelatine Piatti preparati in precedenza
Da 2 a 3	Cuocere a fuoco lento Scongelare	Riso, budini, sciroppi di zucchero Verdure liofilizzate, pesce, prodotti congelati
Da 3 a 4	Vapore	Verdure, pesce, carne
Da 4 a 5	Acqua	Patate bollite, zuppe, pasta, Verdure fresche
Da 6 a 7	Cottura media Bollitura a fuoco lento	Carne, fegato, uova, salsicce Goulash, arrostiti, trippa
Da 7 a 8	Cottura	Patate, patatine fritte, wafers
9	Friggere, arrostitire Far bollire l'acqua	Bisteccche, omelette, piatti fritti Acqua
P	Acqua bollente	Far bollire quantitativi significativi d'acqua

MANUTENZIONE E PULIZIA

Spegnere l'apparecchio prima di pulirlo.

Non pulire l'apparecchio se il vetro è troppo caldo: **rischio di ustioni!**

- Rimuovere segni leggeri con uno straccio umido con liquido detergente diluito in acqua. Risciacquare con acqua fredda e asciugare accuratamente la superficie.
- Detergenti altamente abrasivi e corrosivi, che possono causare graffi, devono assolutamente essere evitati.
- Non utilizzare mai apparecchi a vapore o a pressione per pulire l'apparecchio.
- Non utilizzare alcun oggetto che potrebbe graffiare il vetro ceramico.
- Assicurarsi che la pentola sia asciutta e pulita. Assicurarsi che non vi siano granelli di polvere sul vetro ceramico o sulla pentola. Far scivolare pentole con fondo irregolare può causare graffi alla superficie del vetro ceramico.
- Versamenti di zucchero, marmellata, conserve ecc devono essere rimossi immediatamente, in modo da evitare danni alla superficie del vetro ceramico.

COSA FARE IN CASO DI PROBLEMI

L'apparecchio non si accende

- L'apparecchio non è collegato correttamente alla rete elettrica.
- Il fusibile è assente o il circuito aperto
- Il sistema di blocco è attivo
- I tasti a sfioramento sono coperti da grasso o acqua.
- Un oggetto è posizionato su uno dei tasti.

Compare il simbolo [U]

- Manca la pentola sulla piastra.
- La pentola non è compatibile con il piano cottura a induzione.
- Il diametro del fondo della pentola è troppo piccolo.

Compare il simbolo [E]

- Sconnettere a riconnettere il piano.
- Contattare l'assistenza tecnica.

Una delle piastre viene disattivata

- È entrato in funzione il sistema di sicurezza.
- Si è dimenticato di disattivare la piastra per un certo periodo.
- Uno o più tasti a sfioramento sono coperti da qualcosa.
- La pentola è vuota e il fondo si è surriscaldato.
- Entrata in funzione della funzione automatica di riduzione o interruzione della potenza in caso di surriscaldamento.

Ventilazione continua dopo lo spegnimento dell'apparecchio

- Questo non è un difetto di funzionamento. La ventola continua ad andare per proteggere le componenti elettroniche dal surriscaldamento.
- La ventola si arresta automaticamente.

Il pannello di controllo indica [L]:

- Vedere il capitolo riguardante il blocco del pannello di controllo.

Il pannello di controllo indica [Er03]

- Un oggetto o del liquido copre i tasti del pannello di controllo. Il simbolo scompare appena il tasto è liberato o pulito.

Il pannello di controllo indica [E2] o [EH]

- L'apparecchio è surriscaldato, lasciare raffreddare prima di riaccenderlo.

Il pannello di controllo indica [E5]

- La pentola non è adatta, sostituirla.

Il pannello di controllo indica [E6]

- Collegamento errato. Controllare Tensione e voltaggio del collegamento elettrico

Il pannello di controllo indica [E6]

- Collegamento errato. Controllare Frequenza e voltaggio del collegamento elettrico

Il pannello di controllo indica [E8]

- La presa d'aria della ventola è ostruita, liberarla

Il pannello di controllo indica [U400]:

- Il piano di cottura non è collegato alla rete. Controllare il collegamento e eventualmente ricollegare il piano di cottura.

Se uno dei simboli indicati sopra persiste, contattare il servizio assistenza tecnica.

PROTEZIONE DELL'AMBIENTE

- Il materiale dell'imballo è ecologico e deve essere riciclato.
- L'apparecchio contiene alcuni metalli nobili. Contattare le autorità locali per informarsi sulle modalità di riciclo o smaltimento dell'apparecchio al momento della sua dismissione.



- Non gettare l'apparecchio nei rifiuti.
- Contattare l'organizzazione del vostro comune preposta al riciclaggio degli elettrodomestici.

Istruzioni di installazione

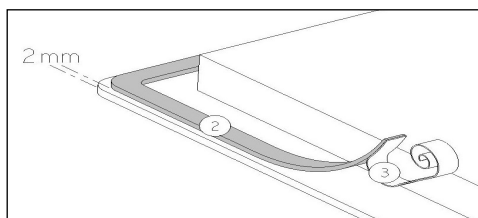
L'installazione è di esclusiva responsabilità dell'installatore specializzato.

L'installatore è tenuto a rispettare la legislazione locale e le normative in vigore nel Paese in cui viene installato l'apparecchio.

Come fissare la guarnizione

La guarnizione fornita con l'apparecchio serve a evitare le infiltrazioni di acqua o altri liquidi nel mobile sottostante l'apparecchio.

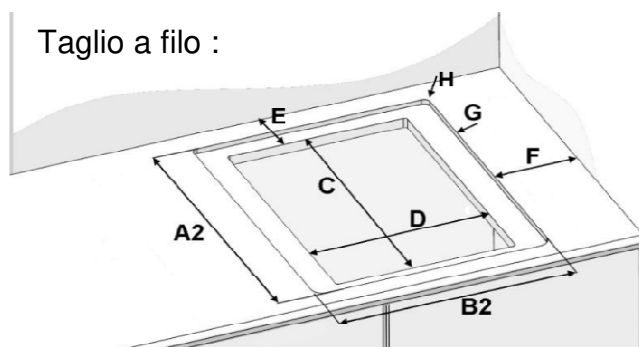
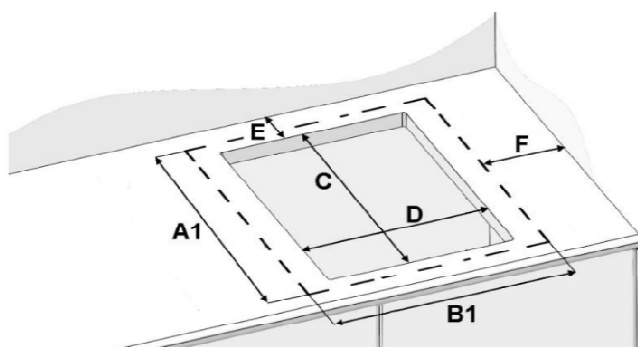
La sua installazione deve essere fatta attentamente, seguendo il disegno qui sotto.



Incollare la guarnizione a (2) due mm dal bordo inferior esterno del vetro, dopo aver rimosso la

Inserimento – installazione

- Le misure di incasso sono:



Taglio a filo :

	Dimensione del vetro		Dimensione di taglio		Indietro	Lato	Angolo	Dimensione di taglio a filo		Profondità
	A1	B1	C	D				E	F	
P603IC1B2NEE P603IC1B2GNEE P604IC1B2NEE P604IC1B2GNEE P604IC2B2NEE	520	590	490	560	50	40	8	526	596	5

- Assicurarsi che ci sia una distanza di almeno 50 mm tra l'apparecchio e il muro o le pareti o paratie laterali.
- L'apparecchio è classificato come classe "Y" di protezione dal calore. Idealmente l'apparecchio dovrebbe essere installato con un ampio spazio da entrambi i lati. Ci può essere un muro posteriormente e mobili alti o un muro su un lato. Sull'altro lato tuttavia, non deve esserci un divisorio o un mobile più alto della posizione dell'apparecchio.
- Il mobile o piano di lavoro sul quale l'apparecchio è installato, nonché i bordi dei mobili e/o unità pensili, i rivestimenti laminati che li rivestono e la colla di assemblaggio, devono essere in grado di resistere a temperature fino a 100 °C.
- I supporti a muro devono essere resistenti al calore.
- I materiali utilizzati per i piani di lavoro spesso tendono a gonfiarsi con l'umidità. Per proteggere il foro di incasso dell'apparecchio, applicare uno strato di vernice o sigillante apposito. Una particolare cura deve essere dedicata alla corretta applicazione della guarnizione fornita con l'apparecchio, onde evitare qualsiasi infiltrazione nel mobile sottostante. La guarnizione garantisce una corretta tenuta se utilizzata su superfici lisce.
- Non installare l'apparecchio al di sopra di un forno non opportunamente ventilato, o di una lavastoviglie.
- Il piano di appoggio deve essere in grado di sostenere il peso del piano di cottura a induzione che è di circa 20 kg.
- Per garantire che il piano cottura a induzione aderisca correttamente al piano di lavoro, dopo aver applicato la guarnizione / silicone, posizionare pesi distribuiti uniformemente sul piano cottura (è possibile utilizzare pentole riempite con acqua).
- Garantire la presenza di uno spazio di almeno 20 mm al di sotto della cassetta dell'apparecchio, onde permettere una corretta areazione dell'apparecchio.
- Se sotto l'apparecchio c'è un cassetto, non riporvi oggetti infiammabili, come bombolette di spray, od oggetti non resistenti al calore.
- La distanza di sicurezza tra l'apparecchio e una eventuale cappa di aspirazione sovrastante deve essere quello previsto dal fabbricante della cappa. In caso di mancanza di indicazioni in merito, rispettare una distanza minima di 760 mm.
- Il cavo di alimentazione, dopo l'installazione dell'apparecchio, non deve essere soggetto a sollecitazioni meccaniche, come ad esempio schiacciamento a causa del movimento di cassette o altro.
- **ATTENZIONE:** Usare solo griglie di protezione che vengono proposte o consigliate dal produttore del piano di cottura. L'uso di griglie di protezione non appropriate possono causare incidenti.

CONNESSIONE ELETTRICA

- L'installazione di questo apparecchio e la connessione alla rete elettrica devono essere affidate esclusivamente a personale qualificato e autorizzato, nel rispetto della normativa in vigore.
- Dopo l'installazione, una adeguata protezione delle parti sotto tensione deve essere garantita.
- I necessari dati di connessione si trovano sull'etichetta posta sulla cassetta dell'apparecchio, in prossimità della morsettiera.
- La connessione alla rete elettrica deve essere fatta utilizzando una presa con messa a terra, o tramite un circuito omnipolare con fusibile di interruzione con un'apertura di almeno 3 mm.
- Il circuito elettrico dell'apparecchio deve essere separato dalla rete tramite opportuni apparecchi, quali fusibili, interruttori di apertura circuito o capacitatori.
- Se l'apparecchio non viene installato con una spina accessibile, un dispositivo di disconnessione conforme alle norme di installazione deve essere previsto nell'installazione.
- Il cavo di alimentazione deve essere posizionato in modo che non venga a contatto con alcuna delle parti calde del piano.

Attenzione!

Questo apparecchio può solo essere collegato ad una rete elettrica a 230 V~ 50/60 Hz

Collegare sempre il cavo di terra.

Rispettare il diagramma di connessione.

La morsettiera si trova sul lato posteriore del fondo dell'apparecchio (cassetta). Per aprire il coperchio utilizzare un cacciavite medio. Posizionarlo nelle fessure e aprire il coperchio.

Rete	Connessione	Diametro cavo	Cavo	Fusibile di protezione
230V~ 50/60Hz	1 Phase + N	3 x 2.5 mm ²	H 05 VV - F H 05 RR - F	25 A *
400V~ 50/60Hz	2 Phase + N	4 x 1.5 mm ²	H 05 VV - F H 05 RR - F	16 A *

* Calcolato con il fattore di simultaneità secondo la norma EN 60 335-2-6

Connessione del piano cottura

Per i vari tipi di connessione, utilizzare i ponticelli di ottone forniti nella scatola a fianco della morsettiera.

Monofase 230V~1P+N

Inserire il primo ponticello tra i terminali N1 e N2.

Inserire il secondo ponticello tra i terminali L1 e L2.

Collegare la terra al terminale "terra".

Collegare il neutro N al terminale N1 o N2.

Collegare la fase L a uno dei terminali L1 o L2.

Bifase 400V~2P+N

Inserire il primo ponticello tra i terminali N1 e N2.

Collegare la terra al terminale "terra".

Collegare il neutro N al terminale N1 o N2.

Collegare la fase L1 al terminale L1

Collegare la fase L2 al terminale L2.

Il fabbricante declina qualsiasi responsabilità per ogni incidente risultante da connessione sbagliata dell'apparecchio, incluso l'utilizzo di un apparecchio non correttamente messo a terra, o connesso con una messa a terra difettosa.

Chère cliente, cher client,

Nous vous remercions de la confiance que vous nous avez accordée en choisissant notre table de cuisson vitrocéramique à induction.

Afin de bien connaître cet appareil, nous vous recommandons de lire attentivement cette notice d'utilisation dans son intégralité et de la conserver pour une consultation ultérieure.

SOMMAIRE

SECURITE	38
PRECAUTIONS AVANT UTILISATION EN CUISSON	38
UTILISATION DE L'APPAREIL	39
PRECAUTIONS POUR NE PAS DETERIORER L'APPAREIL.....	40
PRECAUTIONS EN CAS DE DEFAILLANCE DE L'APPAREIL	41
AUTRES PROTECTIONS.....	41
DESCRIPTION DE L'APPAREIL	42
CARACTERISTIQUES TECHNIQUES	42
BANDEAU DE COMMANDE :	43
UTILISATION DE L'APPAREIL	43
AFFICHAGE	43
VENTILATION.....	43
MISE EN ROUTE ET GESTION DE L'APPAREIL	44
AVANT LA PREMIERE UTILISATION	44
PRINCIPE DE L'INDUCTION	44
TOUCHES SENSITIVES	44
MISE EN ROUTE	44
DETECTION DE RECIPIENT	45
INDICATEUR DE CHALEUR RESIDUELLE	45
FONCTION MINUTERIE	45
VERROUILLAGE DU BANDEAU DE COMMANDE.....	46
FONCTION BOOSTER	47
FONCTION BRIDGE.....	47
FONCTION GRILL	47
GESTION DE LA PUISSANCE.....	48
CONFIGURATION DE LA LIMITE DE PUISSANCE DE LA PLAQUE DE CUISSON	48
CONSEILS DE CUISSON	49
QUALITE DES CASSEROLES.....	49
DIMENSION DES CASSEROLES.....	49
EXEMPLES DE REGLAGE DES PUISSANCES DE CUISSON	50
ENTRETIEN ET NETTOYAGE	50
QUE FAIRE EN CAS DE PROBLEME	50
PROTECTION DE L'ENVIRONNEMENT	51
INSTRUCTIONS D'INSTALLATION	52
CONNEXION ELECTRIQUE	54

Précautions avant utilisation en cuisson

- Retirez toutes les parties de l'emballage.
- L'installation et le branchement électrique de l'appareil sont à confier à des spécialistes agréés. Le fabricant ne saurait être tenu responsable des dommages résultant d'une erreur d'encastrement ou de raccordement.
- L'appareil ne doit être utilisé que s'il est monté et installé dans un meuble et un plan de travail homologué et adapté.
- Son utilisation est uniquement destinée à l'usage domestique habituel (préparation des aliments), à l'exclusion de toute autre utilisation domestique, commerciale ou industrielle.
- Enlevez toutes les étiquettes et autocollants du verre vitrocéramique.
- Ne pas transformer ou modifier l'appareil.
- La table de cuisson ne doit pas servir de support ou de plan de travail.
- La sécurité n'est assurée que si l'appareil est raccordé à une terre de protection conforme aux prescriptions en vigueur.
- Pour le raccordement au réseau électrique n'utilisez pas de rallonge.
- L'appareil ne doit pas être utilisé au-dessus d'un lave-vaisselle ou d'un sèche-linge : les vapeurs d'eau dégagées pourraient détériorer l'électronique.
- Ne faites pas fonctionner l'appareil avec un minuteur externe ou un système de commande à distance.

Utilisation de l'appareil

- Coupez toujours les foyers après utilisation.
- Surveillez constamment les cuissons qui utilisent des graisses et des huiles, car elles sont susceptibles de s'enflammer rapidement.
- Prenez garde aux risques de brûlures pendant et après l'utilisation de l'appareil.
- Assurez-vous qu'aucun câble électrique d'appareil fixe ou mobile ne vienne en contact avec la vitre ou la casserole chaude.
- Les objets magnétisables (cartes de crédits, disquettes informatiques, calculatrices) ne doivent pas se trouver à proximité immédiate de l'appareil en fonction.
- Les objets métalliques tels que des couteaux, des fourchettes, des cuillères et des couvercles ne devraient pas être placés sur la surface vitrée puisqu'ils peuvent devenir chauds.
- De façon générale ne placez aucun objet métallique autre que les récipients de chauffe sur la surface vitrée. En cas d'enclenchement intempestif ou de chaleur résiduelle, celui-ci risquerait selon le matériau de chauffer, de fondre ou de commencer à brûler.
- Ne jamais couvrir l'appareil d'un chiffon ou d'une feuille de protection. Il pourrait devenir très chaud et prendre feu.
- Cet appareil peut être utilisé par des enfants âgés de 8 ans et plus et des personnes dont les capacités physiques, sensorielles ou mentales sont réduites ou dont les expériences et les connaissances sont inadaptées, uniquement si elles sont surveillées, formées à l'utilisation de l'appareil en conditions de sécurité et informées des risques susceptibles de se présenter.
- Les enfants ne doivent pas jouer avec l'appareil.
- Le nettoyage et l'entretien ne doivent pas être confiés à des enfants sans surveillance d'adultes.

Précautions pour ne pas détériorer l'appareil

- Les casseroles à semelles brutes (fonte non émaillée,...) ou abîmées peuvent endommager la vitrocéramique.
- La présence de sable ou d'autres matériaux abrasifs peut endommager la vitrocéramique.
- Evitez de faire chuter des objets, mêmes petits, sur la vitrocéramique.
- Ne heurtez pas les bords de la vitre avec les casseroles.
- S'assurer que la ventilation de l'appareil se fasse suivant les instructions du constructeur.
- Ne posez pas ou ne pas laisser de casseroles vides sur la table de cuisson.
- Eviter que le sucre, les matières synthétiques ou une feuille d'aluminium ne touchent les zones chaudes. Ces substances peuvent au refroidissement provoquer des cassures ou d'autres modifications de la surface vitrocéramique: Eteindre l'appareil et enlevez-les immédiatement de la zone de cuisson encore chaude (attention : risque de brûlures).
- **MISE EN GARDE:** Risque d'incendie : ne pas entreposer d'objets sur la surface de cuisson.
- Ne placez jamais de récipients chauds au-dessus de la zone de commande.
- Si un tiroir est situé sous l'appareil encastré, assurer un écart suffisant (2 cm) entre le contenu de ce tiroir et la partie inférieure de l'appareil afin d'assurer une bonne ventilation.
- Ne déposez pas d'objets inflammables (ex. sprays) dans le tiroir placé sous la table de cuisson. Les éventuels casiers à couverts doivent être en matériau résistant à la chaleur.

Précautions en cas de défaillance de l'appareil

- Si un défaut est constaté, il faut débrancher l'appareil et couper l'alimentation électrique.
- En cas de fêlure ou de fissure de la vitrocéramique il faut impérativement débrancher l'appareil du réseau électrique et prévenir le service après-vente.
- Les réparations doivent être entreprises exclusivement par un personnel spécialisé. N'ouvrez en aucun cas l'appareil vous-même.
- **ATTENTION** : Si la surface vitrée est fissurée, coupez l'alimentation de l'appareil pour éviter une éventuelle décharge électrique.

Autres protections

- Assurez-vous que le récipient de cuisson soit toujours centré sur la zone de cuisson. Le fond de la casserole doit autant que possible couvrir la zone de cuisson.
- Pour les utilisateurs portant un régulateur de rythme cardiaque, le champ magnétique pourrait influencer son fonctionnement. Nous recommandons de se renseigner auprès du revendeur ou du médecin.
- N'utilisez pas de récipients en matière synthétique ou en aluminium : ils pourraient fondre sur des foyers encore chauds.
- **NE JAMAIS** essayer d'éteindre un incendie avec de l'eau, mais arrêter l'appareil puis couvrir les flammes par exemple avec un couvercle ou une couverture anti-feu.

L'UTILISATION DE CASSEROLES NON ADAPTÉES, OU D'ACCESSOIRES AMOVIBLES INTERMÉDIAIRES POUR FAIRE CHAUFFER DES CASSEROLES NON INDUCTIVES ENTRAÎNE UNE RUPTURE DE LA GARANTIE. LE FABRICANT NE SAURAIT ÊTRE TENU POUR RESPONSABLE DES DÉTERIORATIONS DE LA TABLE OU DE SON ENVIRONNEMENT.



DESCRIPTION DE L'APPAREIL

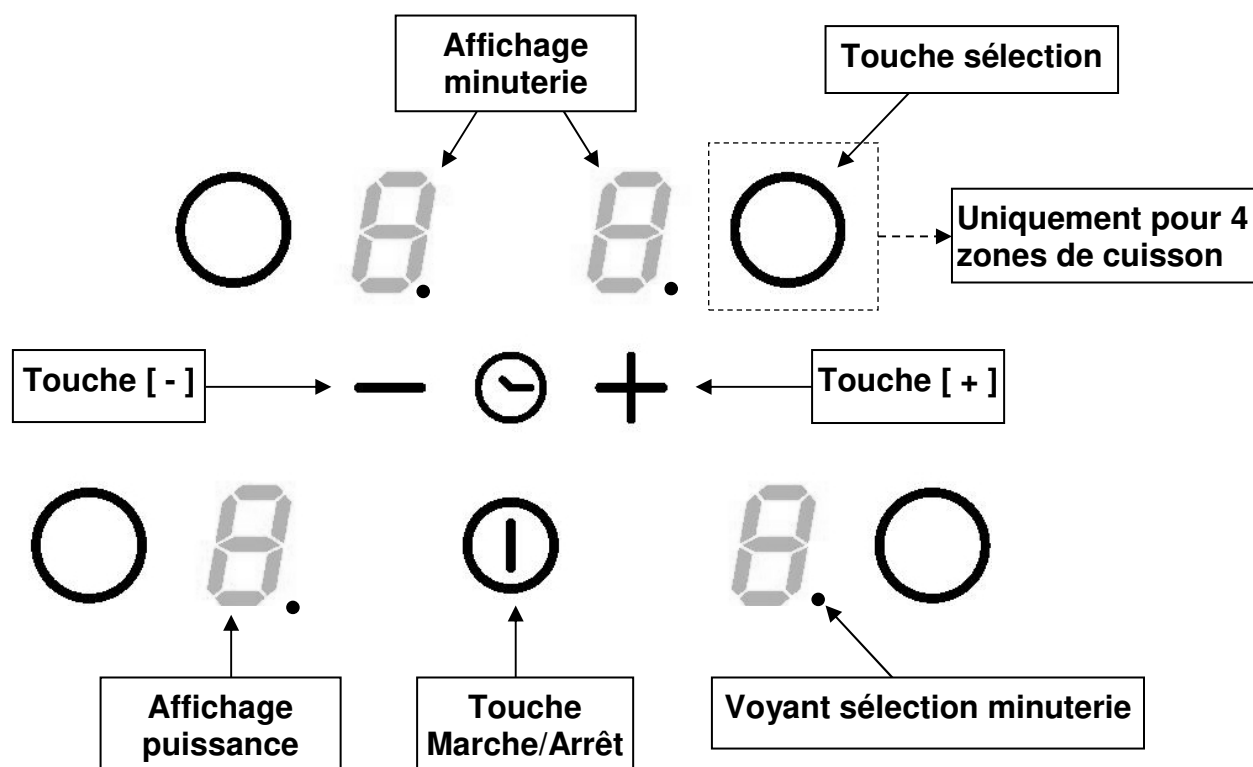
Caractéristiques techniques

Type	P603IC1B2NEE P603IC1B2GNEE	P604IC1B2NEE P604IC1B2GNEE P604IC2B2NEE
Puissance Totale	5550 W	7400 W
Consommation d'énergie de la table de cuisson EC _{hob} **	167.9 Wh/kg	172.8 Wh/kg
Foyer avant gauche	195x190 mm	200x190 mm
Détection minimum	Ø 100 mm	Ø 100 mm
Puissance nominale*	1400 W	1400 W
Puissance du booster*	1850 W	1850 W
Catégorie de la casserole standard**	B	C
Consommation d'énergie EC _{cw} **	164 Wh/kg	172.7 Wh/kg
Foyer arrière gauche	195x190 mm	200x190 mm
Détection minimum	Ø 100 mm	Ø 100 mm
Puissance nominale*	1400 W	1400 W
Puissance du booster*	1850 W	1850 W
Catégorie de la casserole standard**	C	C
Consommation d'énergie EC _{cw} **	172.7 Wh/kg	172.7 Wh/kg
Foyer arrière droit	-	Ø 180 mm
Détection minimum	-	Ø 100 mm
Puissance nominale*	-	1400 W
Puissance du booster*	-	1850 W
Catégorie de la casserole standard**	-	B
Consommation d'énergie EC _{cw} **	-	164.0 Wh/kg
Foyer avant droit	Ø 200 mm	Ø 180 mm
Détection minimum	Ø 110 mm	Ø 100 mm
Puissance nominale*	1850 W	1400 W
Puissance du booster*	2100 W	1850 W
Catégorie de la casserole standard**	C	A
Consommation d'énergie EC _{cw} **	167.0 Wh/kg	181.6 Wh/kg

* la puissance peut varier en fonction des dimensions et des matériaux des casseroles.

** calculé selon la méthode de mesure de l'aptitude à la fonction (EN 60350-2).

Bandeau de commande :



UTILISATION DE L'APPAREIL

Affichage

<u>Affichage</u>	<u>Désignation</u>	<u>Fonction</u>
0	Zéro	La zone de chauffe est activée
1...9	Niveau de puissance	Choix du niveau de cuisson
<u>U</u>	Détection de casserole	Récipient manquant ou inapproprié
<u>E</u>	Message d'erreur	Défaut de circuit électronique
H	Chaleur résiduelle	La zone de cuisson est chaude
L	Verrouillage	La table est sécurisée
P	Booster	La puissance turbo est activée.
□	Bridge	2 zones de cuisson sont combinées.

Ventilation

Le ventilateur de refroidissement a un fonctionnement permanent. Il se met en route dès l'allumage de la table de cuisson. La ventilation enclenche sa seconde vitesse lorsque l'appareil est utilisé intensivement. Elle s'arrête automatiquement lorsque la table de cuisson est éteinte.

MISE EN ROUTE ET GESTION DE L'APPAREIL

Avant la première utilisation

Nettoyez votre appareil avec un chiffon humide, puis séchez-le. N'utilisez pas de détergent qui risquerait de provoquer une coloration bleutée sur les surfaces vitrées.

Principe de l'induction

Une bobine d'induction se trouve sous chaque foyer de cuisson. Lorsque celle-ci est enclenchée, elle produit un champ électromagnétique variable qui, à son tour produit des courants induits dans le fond ferromagnétique du récipient. Il en résulte un échauffement du récipient placé sur la zone de chauffe.

Bien entendu le récipient doit être adapté :

- Sont recommandés tous les récipients métalliques ferromagnétiques (à vérifier éventuellement avec un petit aimant) tels que : cocotte en fonte, poêle en fer noir, casseroles métalliques émaillées, en inox à semelle ferromagnétique...
- Sont exclus les récipients en cuivre, inox, aluminium, verre, bois, céramique, grès, terre cuite, inox non ferromagnétique...

La zone de cuisson à induction prend automatiquement en compte la taille du récipient utilisé. Avec un diamètre trop petit, le récipient ne fonctionne pas. Ce diamètre varie en fonction du diamètre de la zone de cuisson.

Lorsque le récipient n'est pas adapté à la table de cuisson le symbole [U] reste affiché.

Touches sensibles

Votre appareil est équipé de touches sensibles permettant de commander les différentes fonctions. Un effleurage de la touche active leur fonctionnement. Cette activation est validée par un voyant, un affichage et/ou par un signal sonore.

Dans le cas d'une utilisation générale n'appuyez que sur une seule touche à la fois.

Mise en route

Vous devez d'abord enclencher la table de cuisson, puis la zone de chauffe :

- **Enclencher / arrêter la table de cuisson :**

<u>Action</u>	<u>Bandeau de commande</u>	<u>Afficheur</u>
Enclencher	appuyer sur [①]	[0]
Arrêter	appuyer sur [①]	aucun ou [H]

- **Enclencher / arrêter une zone de chauffe :**

<u>Action</u>	<u>Bandeau de commande</u>	<u>Afficheur</u>
Sélectionner	appuyer sur la touche sélection de la zone	[0]
Augmenter	appuyer sur [+]	[1] jusqu'à [9]
Diminuer	appuyer sur [-]	[9] jusqu'à [1]
Arrêter	appuyer sur [-]	[0] ou [H]

Si aucun réglage n'est fait en moins de 20 secondes l'électronique revient en position d'attente.

Détection de récipient

La détection de récipient assure une sécurité parfaite. L'induction ne fonctionne pas :

- Lorsqu'il n'y a pas de récipient sur la zone de cuisson ou lorsque ce récipient est inadapté à l'induction. Dans ce cas il est impossible d'augmenter la puissance et dans l'afficheur le symbole [U] apparaît. Le [U] disparaît lorsqu'une casserole est posée sur le foyer de cuisson.
- Si en cours de cuisson le récipient est enlevé de la zone de cuisson, le fonctionnement est interrompu. Dans l'afficheur le symbole [U] apparaît. Le [U] disparaît lorsque le récipient est remis sur le foyer de cuisson. La cuisson reprend au niveau de puissance sélectionnée au préalable.

Après utilisation, éteignez la zone de chauffe. Ne laissez pas la détection de casserole [U] active.

Indicateur de chaleur résiduelle

Après l'arrêt des zones de cuisson ou l'arrêt complet de la table, les zones de cuissons sont encore chaudes et sont signalées par le symbole [H].

Le symbole [H] s'éteint lorsque les zones de cuisson peuvent être touchées sans danger.

Tant que les témoins de chaleur résiduelle sont allumés, ne touchez pas les zones de cuisson et ne posez aucun objet sensible à la chaleur. **Risque de brûlure et d'incendie!**

Fonction minuterie

La minuterie peut être affectée simultanément aux 4 foyers de cuisson et ceci avec des réglages de temps de minuterie différents (de 0 à 99 minutes) pour chacune des zones.

- **Réglage ou modification de la durée de cuisson :**

<u>Action</u>	<u>Bandeau de commande</u>	<u>Afficheur</u>
Sélectionner	Appuyer sur la touche sélection de la zone	afficheur allumé
Augmenter	Appuyer sur [+] ou [-]	[1] ... [9] [P]
Sélectionner « Minuterie »	Appuyer <u>simultanément</u> sur [-] et [+]	[00]
Diminuer la durée	Appuyer sur [-]	[30] passe à 29,28,27,.....
Augmenter la durée	Appuyer sur [+]	[00] passe à 01,02,03...

Après quelques secondes le voyant de contrôle passe de « clignotement » à « fixe ».

La durée est sélectionnée et le décompte démarre.

- **Arrêter la fonction minuterie cuisson :**

<u>Action</u>	<u>Bandeau de commande</u>	<u>Afficheur</u>
Sélectionner la zone	Appuyer sur la touche sélection de la zone	L'afficheur de la zone s'allume
Sélectionner « Minuterie »	Appuyer <u>simultanément</u> sur [-] et [+]	Temps restant
Désactiver « Minuterie »	Appuyer sur [-]	Passé à [00] puis s'éteint

Lorsque plusieurs minuteries sont activées, il suffit de répéter l'opération.

- **Arrêt automatique en fin de cuisson :**

Dès que le temps de cuisson sélectionné est écoulé la minuterie affiche en clignotant [00] et un signal sonore retentit.

Pour stopper le son et le clignotement, il suffit d'appuyer sur une touche.

- **Minuterie utilisée hors cuisson :**

<u>Action</u>	<u>Bandeau de commande</u>	<u>Afficheur</u>
Activer la table de cuisson	Appuyer sur [①]	Voyants de zone allumés
Sélectionner « Minuterie »	Appuyer <u>simultanément</u> sur [-] et [+]	[00]
Diminuer la durée	Appuyer sur [-]	[00] passe à 30,29...
Augmenter la durée	Appuyer sur [+]	[00] passe à 01,02...

Après 20 secondes les afficheurs s'éteignent mais la minuterie continue.

Dès que le temps sélectionné est écoulé la minuterie affiche en clignotant [00] et un signal sonore retentit. Pour stopper le son et le clignotement, il suffit d'appuyer sur une touche.

Verrouillage du bandeau de commande

Pour éviter de modifier une sélection de la table de cuisson, notamment dans le cadre du nettoyage de la vitre, le bandeau de commande (à l'exception de la touche marche/arrêt [①]) peut être verrouillé.

- **Verrouillage :**

<u>Action</u>	<u>Bandeau de commande</u>	<u>Afficheur</u>
Mise en route	appuyer sur [①]	[0] ou [H]
Verrouiller la table	appuyer <u>simultanément</u> sur [-] et la touche sélection de la zone avant droit	[0] ou [H]
	ré-appuyer sur la touche de sélection de la zone avant droit	4 x [L]

- **Déverrouillage :**

<u>Action</u>	<u>Bandeau de commande</u>	<u>Afficheur</u>
Mise en route	appuyer sur [①]	4 x [L]
Dans les 5 secondes après la mise en route :		
Déverrouiller la table	appuyer <u>simultanément</u> sur [-] et la touche sélection de la zone avant droit	4 x [L]
	ré-appuyer [-]	les afficheurs sont éteints

Fonction booster

La fonction booster [P] octroie un renforcement de puissance à la zone de cuisson sélectionnée. Si cette fonction est activée, ces zones de cuisson fonctionnent pendant 5 minutes avec une puissance nettement plus élevée.

Le booster est conçu par exemple pour faire chauffer rapidement de grandes quantités d'eau, comme pour la cuisson des pâtes.

- **Enclencher / arrêter la fonction booster :**

<u>Action</u>	<u>Bandeau de commande</u>	<u>Afficheur</u>
Sélectionner	appuyer sur la touche sélection de la zone	[0]
Augmenter	appuyer sur [+]	[1] jusqu'à [9]
Enclencher le booster	appuyer sur [+]	[P]
Stopper le booster	appuyer sur [-]	[9]

Fonction Bridge

Cette fonction permet de combiner 2 zones avec les mêmes fonctionnalités qu'une seule zone.

<u>Action</u>	<u>Bandeau de commande</u>	<u>Afficheur</u>
Mis en route	Appuyer sur [①]	[0] ou [H] sur les 4 afficheurs
Activer le bridge	Appuyer sur 2 zones	[0] sur la zone avant et [□] sur la zone arrière.
Augmenter le bridge	Appuyer sur [+]	[1 à 9]
Arrêter le bridge	Appuyer sur 2 zones	[0] ou [H] sur les 2 zones

Fonction Grill

Cette fonction permet de combiner 2 zones avec une puissance de 4.

<u>Action</u>	<u>Bandeau de commande</u>	<u>Afficheur</u>
Mis en route	Appuyer sur [①]	[0] ou [H] sur les 4 afficheurs
Activer le bridge	Appuyer sur 2 zones pendant 3 secondes	[4] sur la zone avant et [□] sur la zone arrière.
Arrêter le bridge	Appuyer sur 2 zones pendant 3 secondes	[0] ou [H] sur les 2 zones

Gestion de la puissance

La table de cuisson est équipée d'une limitation de puissance. Si vous avez atteint la puissance maximale il vous sera impossible d'augmenter le niveau de cuisson des différentes zones et un signal sonore retentira.

- Pour une 4 zones de cuisson, la limitation est fixée à 7400 W en sortie d'usine mais il est possible de changer à 3700 W, 4800 W, ou 5600 W.
- Pour une 3 zones de cuisson, la limitation est fixée à 5550 W en sortie d'usine mais il est possible de changer à 3700 W ou 4800 W.

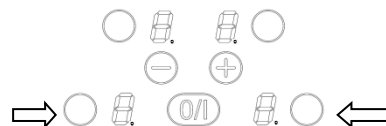
Configuration de la limite de puissance de la plaque de cuisson

Avant de commencer la procédure, il faut :

- S'assurer qu'il n'y ait pas de récipient sur la table de cuisson.
- Débrancher la table du réseau électrique : enlever le fusible ou couper le disjoncteur.
- Rebrancher la table au réseau électrique : remettre le fusible ou rebrancher le disjoncteur.
- Démarrer la procédure en moins de 2 minutes après le branchement au réseau électrique.
- S'assurer que toutes les zones de chauffes sont éteintes.

Pour configurer la limite de puissance, il faut :

- 1) Appuyer simultanément sur les touches de sélection des deux zones inférieures pendant 3 secondes. Un signal sonore retentit et la limite de puissance actuelle s'affiche.



- 2) Choisissez la limite de puissance à l'aide des touche [+] et [-]. Pour sortir de la procédure sans sauvegarder les modifications, n'effectuer aucune action pendant 60 secondes.
- 3) Pour enregistrer la nouvelle limite de puissance, ré-appuyer sur les touches de sélection des deux zones inférieurs pendant 3 secondes. Une fois la nouvelle limite enregistrée, un signal sonore retentit

CONSEILS DE CUISSON

Qualité des casseroles

Matériaux adaptés : acier, acier émaillé, fonte, aluminium ou inox à fond ferromagnétique,

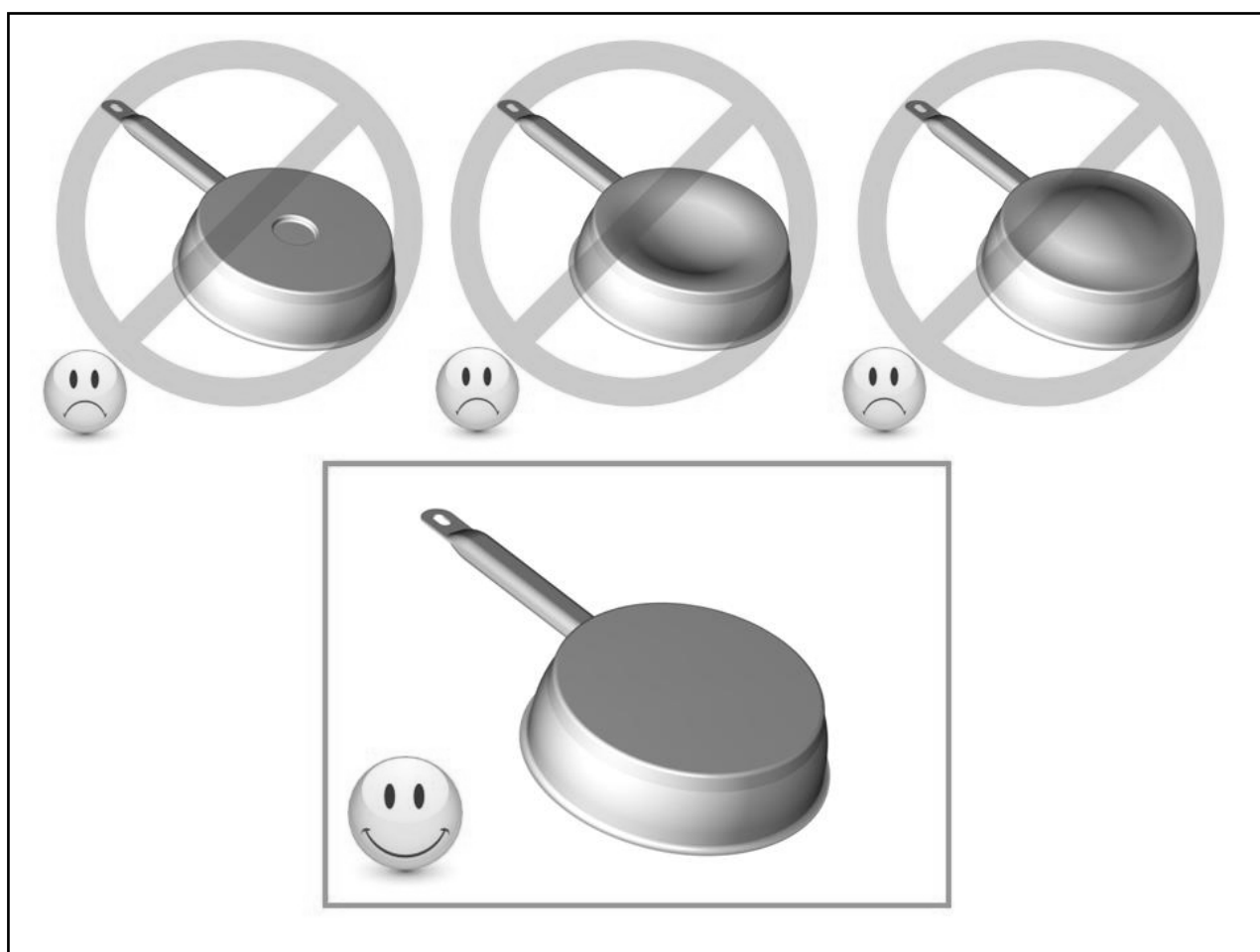
Matériaux non adaptés : aluminium et inox à fond non ferromagnétique, cuivre, laiton, verre, céramique, porcelaine

Les fabricants spécifient si leurs produits sont compatibles induction.

Pour vérifier si des casseroles sont compatibles :

- Placez un peu d'eau dans une casserole placée sur une zone de cuisson induction réglée au niveau [9]. Cette eau doit chauffer en quelques secondes.
- Placez un aimant sur le fond externe de la casserole, il doit rester collé.

Certaines casseroles peuvent faire du bruit lorsqu'elles sont placées sur une zone de cuisson à induction. Ces bruits ne traduisent en aucun cas un défaut de l'appareil et n'influent nullement sur son fonctionnement.



Dimension des casseroles

Les zones de cuisson s'adaptent automatiquement à la dimension du fond de la casserole jusqu'à une certaine limite. Le fond de cette casserole doit cependant avoir un diamètre minimum en fonction du diamètre de la zone de cuisson correspondante.

Afin d'obtenir le rendement maximum de votre table de cuisson, veuillez placer la casserole bien au centre de la zone de cuisson.

Exemples de réglage des puissances de cuisson

(Les valeurs ci-dessous sont indicatives)

1 à 2	Faire fondre Réchauffer	Sauces, beurre, chocolat, gélatine Plats pré-cuisinés
2 à 3	Gonfler Décongélation	Riz, pudding et plats cuisinés Légumes, poisson, produits congelés
3 à 4	Vapeur	Légumes, poissons, viande
4 à 5	Eau	Pommes de terre à l'eau, soupes, pâtes Légumes frais
6 à 7	Cuire à feu doux	Viandes, foie, œufs, saucisses Goulasch, roulades, tripes
7 à 8	Cuire Frire	Pommes de terre, beignets, galettes
9	Frire, Porter à ébullition	Steaks, omelettes eau
P	Frire, Porter à ébullition	Porter à ébullition des quantités importantes d'eau

ENTRETIEN ET NETTOYAGE

Pour nettoyer il faut mettre l'appareil hors fonctionnement.

Laissez refroidir l'appareil, car risques de brûlures.

- Nettoyez les restes de cuisson avec de l'eau additionnée de produit vaisselle ou un produit du commerce conseillé pour la vitrocéramique.
- N'utilisez en aucun cas d'appareils « à vapeur » ou « à pression ».
- Ne pas utiliser d'objets qui risqueraient de rayer la vitrocéramique (tel que tampon abrasifs ou pointe de couteau...).
- N'utilisez pas de produits de nettoyage abrasifs qui pourraient endommager l'appareil.
- Séchez l'appareil avec un chiffon propre.
- Enlevez immédiatement le sucre et les mets contenant du sucre.

QUE FAIRE EN CAS DE PROBLÈME

La table de cuisson ou les zones de cuisson ne s'enclenchent pas :

- La table est mal connectée au réseau électrique
- Le fusible de protection a sauté
- Vérifiez si le verrouillage n'est pas activé
- Les touches sensibles sont couvertes d'eau ou de graisse
- Un objet est posé sur les touches sensibles

Le symbole [U] s'affiche :

- Il n'y a pas de casserole sur la zone de cuisson
- Le récipient utilisé n'est pas compatible avec l'induction
- Le diamètre du fond de casserole est trop petit par rapport à la zone de cuisson

Le symbole [E] s'affiche :

- Débranchez et rebranchez la table de cuisson
- Appelez le Service Après-ventes

L'une des zones ou l'ensemble du plan de cuisson se déclenche :

- Le déclenchement de sécurité a fonctionné
- Celui-ci s'actionne dans le cas où vous avez oublié de couper une des zones de chauffe
- Il s'enclenche également lorsqu'une ou plusieurs touches sensibles sont couvertes
- Une des casseroles est vide et son fond a surchauffé
- La table dispose également d'un dispositif de réduction automatique de niveau de puissance et de coupure automatique en cas de surchauffe

La soufflerie de ventilation continue de tourner après l'arrêt de la table :

- Ce n'est pas un défaut, le ventilateur continue de protéger l'électronique de l'appareil
- La soufflerie s'arrête automatiquement

Le symbole [L] s'affiche :

- Se référer au chapitre verrouillage du bandeau de commande.

Le symbole [Er03] s'affiche :

- Un objet ou un liquide recouvre les touches de la commande. Le symbole disparaît une fois les touches libérées ou nettoyées.

Le symbole [E2]ou [EH]s'affiche :

- La table est en surchauffe, laissez-la refroidir puis rallumez-la.

Le symbole [E3] s'affiche :

- La casserole n'est pas adaptée, changez de casserole.

Le symbole [E5] s'affiche :

- Réseau électrique défectueux. Contrôlez la tension et la tension du réseau électrique.

Le symbole [E6] s'affiche :

- Réseau électrique défectueux. Contrôlez la fréquence et la tension du réseau électrique.

Le symbole [E8] s'affiche :

- L'entrée d'air du ventilateur est obstruée, libérez-la.

Le symbole [U400] s'affiche :

- La table est mal connectée au réseau. Vérifiez le branchement et rebranchez la table.

Si un des symboles ci-dessus persiste, appelez le SAV.

PROTECTION DE L'ENVIRONNEMENT

- Les matériaux d'emballage sont écologiques et recyclables
- Les appareils électroniques sont composés de matériaux recyclables et parfois de matériaux nocifs pour l'environnement, mais nécessaires au bon fonctionnement et à la sécurité de l'appareil.

- Ne jetez en aucun cas votre appareil avec les déchets ménagers
 - Faites appel au service d'enlèvement ou aux sites de dépôt mis en place par votre commune et adaptés au recyclage des appareils électroménagers



INSTRUCTIONS D'INSTALLATION

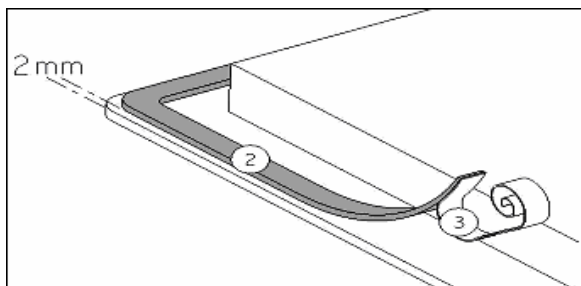
Le montage relève de la compétence exclusive de spécialistes.

L'utilisateur est tenu de respecter la législation et les normes en vigueur dans son pays de résidence.

Mise en place du joint d'étanchéité

Le joint adhésif fourni avec l'appareil permet d'éviter toute infiltration dans le meuble.

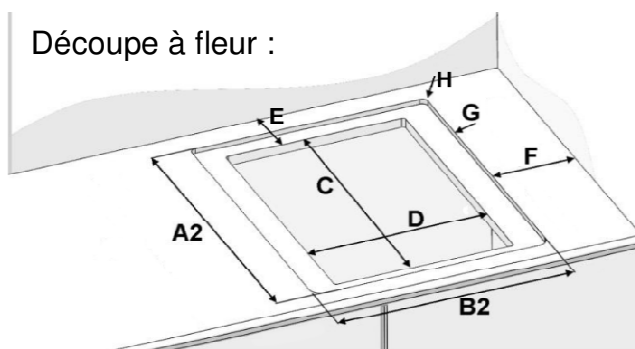
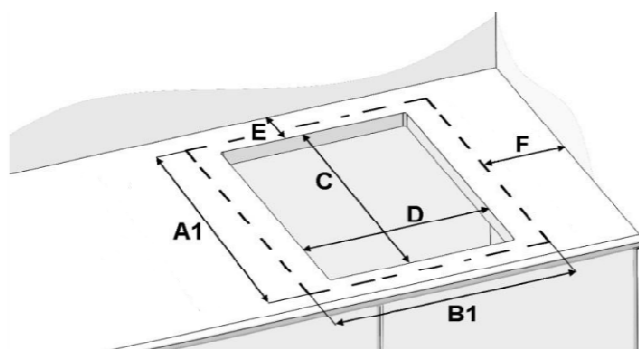
Sa mise en place doit être effectuée avec un grand soin suivant le croquis ci-dessous.



Coller le joint (2) sur le rebord de la table à 2mm du bord externe, après avoir ôté la feuille de protection (3).

Encastrement

- La découpe du plan de travail sera suivant le modèle de table de :



	Dimension du verre		Dimension de découpe		Arrière	Côté	Angle	Dimension de découpe à fleur		Profondeur
	A1	B1	C	D				E	F	
P603IC1B2NEE P603IC1B2GNEE P604IC1B2NEE P604IC1B2GNEE P604IC2B2NEE	520	590	490	560	50	40	8	526	596	5

- **La distance entre la table de cuisson et le mur doit être au minimum de 50mm.**
- La table de cuisson est un appareil qui appartient à la classe de protection « Y ». Lors de son encastrement, une paroi d'armoire haute ou un mur peut se trouver sur l'un des côtés et sur la face arrière. **Mais de l'autre côté, aucun meuble ni aucun appareil ne doit être plus haut que le plan de cuisson.**
- Les placages et revêtements des plans de travail doivent être réalisés en matériaux résistant à la chaleur (100°C).
- Les baguettes de bord murales doivent être thermo résistantes.
- Les matériaux des plans de travail peuvent gonfler au contact de l'humidité. Pour protéger le chant de la découpe, appliquer un vernis ou une colle spéciale.
- N'installer pas la table au-dessus d'un four non ventilé ou d'un lave-vaisselle.
- Le plan de travail doit pouvoir supporter le poids de la table de cuisson à induction, qui est d'environ 20 kg.
- Pour que la table de cuisson à induction adhère correctement au comptoir, après avoir appliqué le joint d'étanchéité/silicone, placez des poids uniformément répartis sur la table de cuisson (des casseroles remplies d'eau peuvent être utilisées).
- Garantir entre le fond du caisson de l'appareil **un espace de 20 mm** pour assurer une bonne circulation de l'air de refroidissement de l'électronique.
- Si un tiroir se trouve sous le plan de cuisson, éviter d'y ranger des objets inflammables (par exemple : spray) et des objets non résistants à la chaleur.
- L'écart de sécurité entre la table de cuisson et la hotte aspirante placée au-dessus d'elle doit respecter les indications du fabricant de hottes. En cas d'absence d'instructions respecter une distance minimum de 760 mm.
- Le câble de raccordement ne doit être soumis, après encastrement, à aucune contrainte mécanique, comme par exemple du fait d'un tiroir.
- **MISE EN GARDE:** Utiliser uniquement les dispositifs de protection de table de cuisson conçus par le fabricant de l'appareil de cuisson ou indiqués par le fabricant de l'appareil dans les instructions d'utilisation comme adaptés ou les dispositifs de protection de table de cuisson intégrés à l'appareil. L'utilisation de dispositifs de protection non appropriés peut entraîner des accidents.

CONNEXION ÉLECTRIQUE

- L'installation de cet appareil et son branchement au réseau électrique ne doit être confiés qu'à un électricien parfaitement au fait des prescriptions normatives.
- La protection contre les pièces sous tension doit être assurée après le montage.
- Les données de raccordement nécessaires se trouvent sur la plaque signalétique et la plaque de branchement placées sous l'appareil.
- Cet appareil doit être séparé du secteur par un dispositif de sectionnement omnipôles. Lorsque celui-ci est ouvert (déclenché), un écartement de 3mm doit être assuré.
- Le circuit électrique doit être séparé du réseau par des dispositifs appropriés, par exemple les disjoncteurs, les fusibles, les disjoncteurs différentiels et les contacteurs.
- Si l'appareil n'est pas muni d'une fiche accessible, des moyens de déconnexion doivent être incorporé à l'installation fixe conformément aux réglementations de l'installation.
- Le câble d'alimentation doit être placé de sorte à ce qu'il ne touche pas de parties chaudes de la table de cuisson.

Attention !

Cet appareil n'est conçu que pour une alimentation en 230 V~ 50/60 Hz.

Raccordez toujours le fil de terre de protection.

Respectez le schéma de raccordement.

Le boîtier de raccordement se situe sous la plaque de cuisson. Pour ouvrir le capot, servez-vous d'un tournevis moyen. Placez le dans les 2 fentes situées à l'avant des 2 flèches.

Réseau	Raccordement	Diamètre câble	Câble	Calibre de protection
230V~ 50/60Hz	1 Phase + N	3 x 2.5 mm ²	H 05 VV - F H 05 RR - F	25 A *
400V~ 50/60Hz	2 Phases + N	4 x 1.5 mm ²	H 05 VV - F H 05 RR - F	16 A *

* calculé avec le coefficient de simultanéité suivant standard EN 60 335-2-6

Branchement de la table:

Pour vous adapter au réseau électrique (230V~1P+N ou 400V~2P+N), veuillez utiliser les pontets en laiton situés dans le boîtier de connexion

Monophasé 230V~1P+N :

Mettre un pontet entre les plots L1 et L2.

Mettre un pontet entre les plots N1 et N2.

Visser le fil vert/jaune au plot prévu pour la mise à la terre.

Visser le neutre N sur un des plots N1 ou N2.

Visser la phase L sur un des plots L1 ou L2.

Biphasé 400V~2P+N :

Mettre un pontet entre les plots N1 et N2.

Visser le fil vert/jaune au plot prévu pour la mise à la terre.

Visser le neutre N sur un des plots N1 ou N2.

Visser la phase L1 sur le plot L1 et la phase L2 sur le plot L2.

**Attention ! Un dévissage plus que nécessaire des vis du boîtier de raccordement risque de détériorer ce dernier, les vis tourneraient alors dans le vide.
Veuillez ensuite à bien engager les fils et à bien serrer les vis.**

Notre responsabilité ne saurait être engagée pour tout incident résultant d'un mauvais branchement, ou qui pourrait survenir à l'usage d'un appareil non relié à la terre ou équipé d'une terre défectueuse.

Apreciado cliente,

Le agradecemos la confianza que nos ha otorgado al elegir nuestra placa de cocción vitrocerámica a inducción.

Con el fin de conocer bien este aparato, le recomendamos lea atentamente estas instrucciones de utilización en su totalidad y las conserve para consultas posteriores.

RESUMEN

SEGURIDAD.....	56
PRECAUCIONES ANTES DE UTILIZARLA PARA COCINAR.....	56
UTILIZACION DEL APARATO	56
PRECAUCIONES PARA NO DETERIORAR EL APARATO	57
PRECAUCIONES EN CASO DE FALLO DEL APARATO	58
OTRAS PRECAUCIONES	58
DESCRIPCIÓN DEL APARATO.....	59
CARACTERISTICAS TECNICAS.....	59
ZONA DE MANDOS.....	60
UTILIZACIÓN DEL APARATO.....	60
INDICACIONES	60
VENTILACIÓN.....	60
PUESTA EN MARCHA Y USO DEL APARATO.....	61
ANTES DE LA PRIMERA UTILIZACIÓN	61
PRINCIPIO DE LA INDUCCIÓN	61
TECLAS TÁCTILES	61
PUESTA EN MARCHA	61
DETECCIÓN DEL RECIPIENTE.....	62
INDICADOR DE CALOR RESIDUAL.....	62
FUNCIÓN ‘TURBO’	62
FUNCIÓN TEMPORIZADOR.....	63
BLOQUEO DE LA ZONA DE MANDOS	64
FUNCIÓN DE PUENTE.....	64
FUNCIÓN “GRILL”	64
GESTIÓN DE LA POTENCIA	65
CONFIGURACIÓN DEL LÍMITE DE POTENCIA DE LA PLACA ELÉCTRICA.....	65
CONSEJOS DE COCCIÓN	66
CALIDAD DE LAS CACEROLAS	66
DIMENSIÓN DE LAS CACEROLAS	66
EJEMPLOS DE AJUSTE DE LAS POTENCIAS DE COCCIÓN	67
CONSERVACIÓN Y LIMPIEZA.....	67
QUÉ HACER EN CASO DE PROBLEMA.....	67
PROTECCIÓN DEL MEDIO AMBIENTE.....	68
INSTRUCCIONES DE INSTALACIÓN	69
CONEXIÓN ELÉCTRICA.....	71

SEGURIDAD

Precauciones antes de utilizarla para cocinar

- Retire todos los elementos del embalaje.
- La instalación y el conexionado eléctrico del aparato deben encargarse a un especialista autorizado. El fabricante no será responsable de los daños resultantes de un error de empotramiento o de conexionado.
- El aparato sólo debe utilizarse si está montado e instalado en un mueble y una superficie de trabajo homologados y adaptados.
- Su utilización va únicamente destinada a los usos domésticos habituales (preparación de alimentos), con exclusión de cualquier otra utilización doméstica, comercial o industrial.
- Retire todas las etiquetas y autoadhesivos del cristal vitrocerámico.
- No transforme ni modifique el aparato.
- La placa de cocción no debe servir como soporte ni como superficie de trabajo.
- La seguridad sólo está asegurada si el aparato está conectado a una toma de tierra de protección conforme a los reglamentos vigentes.
- No utilice alargadoras para la conexión a la red eléctrica.
- El aparato no debe utilizarse encima de un lavavajillas o de una secadora de ropa: los vapores de agua desprendidos podrían deteriorar la electrónica.
- Este aparato no está previsto para el funcionamiento con un reloj temporizador externo o un mando a distancia.

Utilización del aparato

- Apague siempre los fogones después de utilizarlos.
- Vigile constantemente los guisos que utilizan grasas y aceites, ya que son susceptibles de inflamarse rápidamente.
- Tenga cuidado del riesgo de quemaduras durante y después de la utilización del aparato.
- Los niños no deben manipular el aparato.
- Asegúrese de que ningún cable eléctrico, fijo o móvil, del aparato toca el cristal o el recipiente caliente.

- Los objetos magnetizables (tarjetas de crédito, disquetes informáticos, calculadoras) no deben estar cerca del aparato en funcionamiento.
- No coloque ningún objeto metálico, excepto los recipientes a calentar. En caso de conexión accidental o de calor residual, este objeto, según el material, tiene el riesgo de fundirse o de empezar a arder.
- No cubra nunca el aparato con un trapo o con una hoja de protección. Podría calentarse mucho y encenderse.
- Este aparato electrodoméstico puede ser usado por niños a partir de 8 años e igualmente por personas con capacidades físicas, sensoriales o mentales reducidas o que carezcan falta de experiencia y conocimiento del producto si se les ha dado la supervisión instrucción adecuada para el uso del mismo de un modo seguro y entienden de igual manera los peligros que puedan implicar.
- Los niños no deben usar éste electrodoméstico para jugar.
- La limpieza o el uso de éste aparato no debe realizarse por niños sin supervisión.

Precauciones para no deteriorar el aparato

- Las cacerolas con base sin pulir (fundición no esmaltada,...) o estropeadas pueden dañar la vitrocerámica.
- La presencia de arena u otros materiales abrasivos puede dañar la vitrocerámica.
- Evite dejar caer objetos, aunque sean pequeños, sobre la vitrocerámica.
- No dé golpes a los bordes del cristal con las cacerolas.
- Asegúrese de que la ventilación del aparato se haga según las instrucciones del fabricante.
- No coloque ni deje cacerolas vacías sobre la placa de cocción.
- Evite que azúcar, materiales sintéticos o papel de aluminio toquen las zonas calientes. Estas sustancias pueden, al enfriarse, provocar roturas u otras modificaciones en la superficie vitrocerámica: desconecte al aparato y retírelas inmediatamente de la zona de cocción cuando aún está caliente (atención: peligro de quemaduras).

- No almacenar objetos sobre la placa de cocción
- No coloque nunca recipientes calientes sobre la zona de los mandos.
- Si hay un cajón situado bajo el aparato empotrado, asegúrese que hay distancia suficiente (2 cm) entre el contenido de este cajón y la parte inferior del aparato con el fin de asegurar una buena ventilación.
- No deposite objetos inflamables (por ejemplo sprays) en el cajón situado bajo la placa de cocción. Las eventuales bandejas para cubiertos deben ser de material resistente al calor.

Precauciones en caso de fallo del aparato

- Si se constata una avería, es necesario desconectar el aparato y desenchufar la línea de alimentación eléctrica.
- En caso de desconchados o fisuras en la vitrocerámica es imperativo desconectar el aparato de la red eléctrica y avisar al servicio posventa.
- Las reparaciones sólo pueden ser realizadas por personal especializado. En ningún caso abra el aparato usted mismo.
- **ADVERTENCIA:** Si la superficie está agrietada, apagar el aparato para evitar la posibilidad de descargas eléctricas.

Otras precauciones

- Verificar que el recipiente esté lo más centrada posible a la zona de cocción. La parte inferior del recipiente debe de cubrir lo más posible la zona de cocción.
- Para usuarios con marcapasos, el campo magnético puede influir en su funcionamiento. Recomendamos pedir información al médico.
- No utilizar aluminio o recipientes con materiales sintéticos: podrían fundir las zonas de cocina.
- NO apagar nunca con agua un fuego. Apagar la zona de cocción. Sofocar con cuidado las llamas con una tapa, una tapa extintora u otro medio similar.



**NO UTILIZAR ACCESORIOS EXTERNOS
INTERMEDIOS PARA HACER CALENTAR
CACEROLAS NO ADAPTADAS A LA INDUCCIÓN.
RIESGOS DE QUEMADURAS Y DE DETERIORO DE LA
ENCIMERA.**



DESCRIPCIÓN DEL APARATO

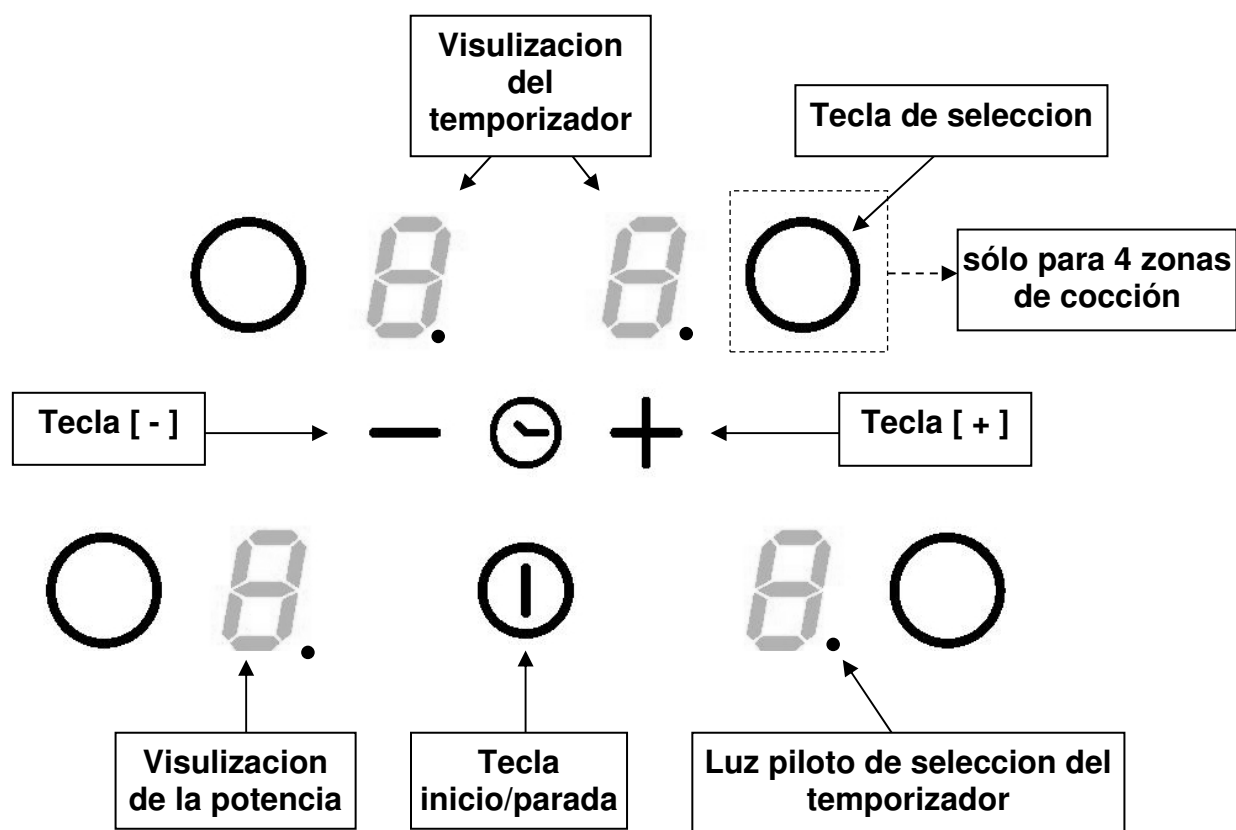
Características técnicas

Modelo	P603IC1B2NEE P603IC1B2GNEE	P604IC1B2NEE P604IC1B2GNEE P604IC2B2NEE
Potencia total	5550 W	7400 W
Consumo energético para placas EC _{hob} **	167.9 Wh/kg	172.8 Wh/kg
Zona de calefacción delantera izquierda	195x190 mm	200x190 mm
Diámetro mínimo	Ø 100 mm	Ø 100 mm
Potencia nominal *	1400 W	1400 W
Potencia de refuerzo *	1850 W	1850 W
Categoría estandarizada de utensilios de cocina	B	C
Consumo energético EC _{cw} **	164 Wh/kg	172.7 Wh/kg
Zona de calefacción trasera izquierda	195x190 mm	200x190 mm
Diámetro mínimo	Ø 100 mm	Ø 100 mm
Potencia nominal *	1400 W	1400 W
Potencia de refuerzo *	1850 W	1850 W
Categoría estandarizada de utensilios de cocina	C	C
Consumo energético EC _{cw} **	172.7 Wh/kg	172.7 Wh/kg
Zona de calefacción trasera derecha	-	Ø 180 mm
Diámetro mínimo	-	Ø 100 mm
Potencia nominal *	-	1400 W
Potencia de refuerzo *	-	1850 W
Categoría estandarizada de utensilios de cocina	-	B
Consumo energético EC _{cw} **	-	164.0 Wh/kg
Zona de calefacción delantera derecha	Ø 200 mm	Ø 180 mm
Diámetro mínimo	Ø 110 mm	Ø 100 mm
Potencia nominal *	1850 W	1400 W
Potencia de refuerzo *	2100 W	1850 W
Categoría estandarizada de utensilios de cocina	C	A
Consumo energético EC _{cw} **	167.0 Wh/kg	181.6 Wh/kg

* La potencia puede variar en función de las dimensiones y de los materiales de las cacerolas.

** Calculado según método de medida (EN 60350-2)

Zona de mandos



UTILIZACIÓN DEL APARATO

Indicaciones

<u>Indicación</u>	<u>Designación</u>	<u>Función</u>
0.	Cero	Zona de cocción activada
1...9	Nivel de potencia	Elección nivel de cocción
U	Detección de cacerola	Falta recipiente o es inadecuado
A	Acelerador de calor	Cocción automática
E	Mensaje de error	Fallo electrónico
H	Calor residual	La zona de cocción aún caliente
P	Turbo	Activada la potencia 'turbo'
L	Bloqueo	Los botones están bloqueados
U	Mantener caliente	La placa mantiene el recipiente a temperatura constante de 70°C
II	Pausa	La pausa está activada
□	Bridge	2 zonas de cocción se combinan

Ventilación

El ventilador de enfriamiento tiene un funcionamiento totalmente automático. Se pone en marcha a velocidad baja a partir del momento en que el calor desprendido por el sistema electrónico sobrepasa un cierto umbral. La ventilación activa su velocidad más alta cuando la placa de cocción se usa de forma intensiva. El ventilador reduce su velocidad y se para automáticamente cuando el circuito electrónico está suficientemente frío.

PUESTA EN MARCHA Y USO DEL APARATO

Antes de la primera utilización

Limpie el aparato con un trapo húmedo y séquelo. No utilice detergente ya que podría provocar una coloración azulada en las superficies vitrificadas.

Principio de la inducción

Debajo de cada placa de cocción hay una bobina de inducción. Cuando ésta está conectada, produce un campo electromagnético variable el cual produce a su vez corrientes inducidas en el fondo ferromagnético del recipiente. De ello resulta un calentamiento del recipiente colocado sobre la zona de calentamiento.

Como es lógico, el recipiente debe ser adecuado:

- Se recomiendan todos los recipientes metálicos ferro-magnéticos (a verificar eventualmente con un pequeño imán) tales como: cazuelas de fundición, sartenes de hierro negro, cacerolas metálicas esmaltadas, en acero inoxidable con base ferro-magnética...
- Quedan excluidos los recipientes de cobre, inoxidable, aluminio, cristal, madera, cerámica, gres, barro cocido, inoxidable no ferro-magnético...

La zona de cocción por inducción tiene automáticamente en cuenta el tamaño del recipiente utilizado. Con un diámetro demasiado pequeño, el recipiente no funciona. Este diámetro varía en función del diámetro de la zona de cocción.

Cuando el recipiente no es adecuado para la placa de cocción, queda encendido el símbolo [U].



Teclas táctiles

Su aparato está provisto de teclas táctiles que permiten controlar las distintas funciones. Un pequeño roce con la tecla activa su funcionamiento. Esta activación queda confirmada por un piloto, un indicador y/o por una señal sonora. **No toque una tecla más de una vez.**

Puesta en marcha

En primer lugar debe conectar la placa de cocción y después la zona de calentamiento:

- **Conectar / Apagar a placa de cocción:**

<u>Acción</u>	<u>Zona de mandos</u>	<u>Indicador</u>
Conectar	Pulsar []	[0]
Apagar	Pulsar []	ninguno o [H]

- **Conectar / Apagar una zona de calentamiento:**

<u>Acción</u>	<u>Zona de mandos</u>	<u>Indicador</u>
Seleccionar	Pulsar tecla de selección de la zona	[0]
Aumentar	Pulsar [+] de la zona	[1] hasta [9]
Disminuir	Pulsar [-]	[9] hasta [1]
Apagar	Pulsar [-]	[0] o [H]

Si no se hace ningún ajuste en el plazo de 20 segundos, el sistema vuelve a la posición de espera.

DetECCIÓN DEL RECIPIENTE

La detección del recipiente asegura una seguridad perfecta. La inducción no funciona:

- Cuando no hay recipiente sobre la zona de cocción o cuando este recipiente no es adecuado para la inducción. En este caso es imposible aumentar la potencia y aparece el símbolo [U] en el indicador. La [U] desaparece cuando se coloca una cacerola en la zona de cocción.
- Si en el curso de la cocción se retira el recipiente de la zona de cocción, el funcionamiento se interrumpe. Aparece el símbolo [U] en el indicador. La [U] desaparece cuando se coloca de nuevo el recipiente en la zona de cocción. La cocción se reemprende en el nivel de potencia seleccionado anteriormente.

Después la utilización de la placa, es necesario apagar la zona de cocción. No dejan activa la detección de la cacerola.

INDICADOR DE CALOR RESIDUAL

Después de apagar las zonas de cocción o de apagar por completo la placa, las zonas de cocción están aún calientes lo que se indica con el símbolo [H]. El símbolo [H] se apaga cuando las zonas de cocción se pueden tocar sin peligro. Mientras los testigos de calor residual estén encendidos, no toque las zonas de cocción ni ponga encima ningún objeto sensible al calor **¡Peligro de quemadura y de incendio!**

Función 'turbo'

La función 'turbo' [P] proporciona un refuerzo de potencia en la zona de cocción seleccionada. Si se activa esta función, estas zonas de cocción funcionan durante 5 minutos con una potencia notablemente más alta. El 'turbo' está destinado, por ejemplo, a calentar rápidamente grandes cantidades de agua, como para cocer pasta.

- **Conectar / Apagar la función 'turbo':**

<u>Acción</u>	<u>Zona de mandos</u>	<u>Indicador</u>
Seleccionar la zona	Pulsar tecla de selección de la zona	[0]
Aumentar	Pulsar [+]	[1] hasta [9]
Conectar el 'turbo'	Pulsar [+]	[P] durante 5 min.
Apagar el 'turbo'	Pulsar [-]	[9]

- **Gestión de la potencia máxima:**

El conjunto de la placa de cocción está dotado de una potencia máxima. Cuando está activada la función 'turbo', y para no sobrepasar esta potencia máxima, el mando electrónico reduce automáticamente el nivel de cocción de otra zona de calentamiento. Durante algunos segundos, el indicador de esta zona de cocción centellea [9] y después queda en el nivel de cocción más alto posible:

<u>Zona de cocción seleccionada</u> [P] está indicado	<u>Otra zona de cocción</u> (por ej.: cocción de nivel 9) [9] pasa a [7] según el tipo de placa
--	--

Función Temporizador

El temporizador puede asignarse simultáneamente a varias placas de cocción y con ajustes diferentes de tiempo en minutos (de 0 a 99 minutos) para cada una de las placas.

- **Ajuste o modificación de la duración de la cocción:**

<u>Acción</u>	<u>Zona de mandos</u>	<u>Indicador</u>
Seleccionar la zona	Pulsar tecla de selección de la zona	[0]
Seleccionar la potencia	Pulsar [+] o [-]	[1] ... [9]
Seleccionar "Temporizador"	Pulsar simultáneamente [+] y [-]	Minutero [00] minutos
Disminuir la duración	Pulsar [-]	[30] pasa a 29, 28, ...
Aumentar la duración	Pulsar [+]	El tiempo aumenta...

Después de algunos segundos, el piloto de control pasa de "centelleo" a "fijo".
La duración queda seleccionada y se inicia la cuenta atrás.

- **Detener la función Temporizador:**

<u>Acción</u>	<u>Zona de mandos</u>	<u>Indicador</u>
Seleccionar la zona	Pulsar tecla de selección de la zona	[1] ... [9]
Seleccionar "Temporizador"	Pulsar simultáneamente [+] y [-]	Tiempo restante
Desactivar "Temporizador"	Pulsar [-]	Pasa a [00] y después se apaga


Cuando hay varios temporizadores activados, basta repetir la operación.

- **Paro automático al final de la cocción:**

Cuando ha transcurrido el tiempo de cocción seleccionado, el temporizador lo indica centelleando [00] y produciendo una señal sonora.

Para parar el sonido y el centelleo, basta pulsar una tecla.

- **Temporizador utilizado sin cocción:**

<u>Acción</u>	<u>Zona de mandos</u>	<u>Indicador</u>
Activar la placa de cocción	Pulsar []	[0]
Seleccionar "Temporizador"	Pulsar simultáneamente [+] y [-]	Minutero [00] minutos
Disminuir la duración	Pulsar [-]	[30] pasa a 29, 28, ...
Aumentar la duración	Pulsar [+]	El tiempo aumenta...

El piloto de control centellea y pasados algunos segundos se apaga.

Cuando ha transcurrido el tiempo seleccionado, el minutero lo indica centelleando [00] y produciendo una señal sonora.

Para parar el sonido y el centelleo, basta pulsar una tecla.

Bloqueo de la zona de mandos

Para evitar que se modifique una selección de la placa de cocción, particularmente cuando se limpia el cristal, la zona de mandos se puede bloquear (con la excepción de la tecla marcha/paro [⏻]).

- **Bloqueo:**

<u>Acción</u>	<u>Zona de mandos</u>	<u>Indicador</u>
Puesta en marcha	Pulsar [⏻]	[0] o [H]
Bloquear la placa	Pulsar simultáneamente [-] y tecla de selección de la zona derecha	Sin cambio
	Pulsar de nuevo tecla de selección de la zona derecha	[L]

- **Desbloqueo:**

<u>Acción</u>	<u>Zona de mandos</u>	<u>Indicador</u>
Puesta en marcha	Pulsar [⏻]	[L]
En los 5 segundos		
Desbloquear la placa	Pulsar simultáneamente [-] y tecla de selección de la zona derecha	[L]
	Pulsar de nuevo [-]	ninguno

Función de puente

Esta función le permite utilizar las 2 zonas de cocción al mismo tiempo con las mismas funciones que una sola zona de cocción.

<u>Acción</u>	<u>Zona de mandos</u>	<u>Indicador</u>
Puesta en marcha	Pulsar [⏻]	[0] o [H]
Activar el puente	Presione simultáneamente los dos teclas de selección	[Π] aparece en el área Trasera y [0] en el área frontal
Aumentar puente	Pulsar [+]	[1 to 9]
Pare el puente	Presione simultáneamente los dos teclas de selección	[0] o [H]

Función “grill”

Esta función es un atajo para la función de puente con un nivel de cocción de 4.

<u>Acción</u>	<u>Zona de mandos</u>	<u>Indicador</u>
Puesta en marcha	Pulsar [⏻]	[0] o [H]
Activar el “grill”	Presione simultáneamente los dos teclas de selección durante 3 segundos	[Π] aparece en el área Trasera y [4] en el área frontal
Pare el “grill”	Presione simultáneamente los dos teclas de selección durante 3 segundos	[0] o [H]

Gestión de la potencia

La placa está equipada con una limitación de potencia. Si ha alcanzado la potencia máxima, no podrá aumentar el nivel de cocción de las zonas individuales y sonará un pitido.

- Para una placa de 4 zonas, la limitación se fija en fábrica en 7400 W, pero es posible cambiar a 3700 W, 4800 W o 5600 W.
- Para una placa de 3 zonas, la limitación se fija en fábrica en 5550 W, pero es posible cambiar a 3700 W o 4800 W.

Configuración del límite de potencia de la placa eléctrica

Antes de comenzar el procedimiento, hace falta:

- Asegurarse que no hubiera recipiente sobre la mesa de cocción.
- Desconectar la mesa de la red eléctrica: quitar(llevarse) el fusible o cortar el disyuntor.
- Descolgar la mesa a la red eléctrica: devolver el fusible o descolgar el disyuntor.
- Empezar el procedimiento en menos de 2 minutos después de la acometida a la red eléctrica.
- Asegurarse que todas las zonas de caldeos(hogares) son apagadas(extinguidas).

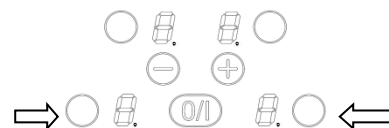
Para configurar el límite de potencia, hace falta:

1) Apretar simultáneamente las teclas de Selección de ambas zonas inferiores que cuelgan 3 segundos.

Una señal acústica resuena y la limita De potencia(fuerza) actual se exhibe.

2) Escoja el límite de potencia(fuerza) con la ayuda de toca [+] y [-]. Para salir del procedimiento sin salvaguardar las modificaciones, no efectuar ninguna acción durante 60 segundos.

3) Para registrar el nuevo límite de potencia(fuerza), ré - apretar las teclas de selección de ambas zonas a inferiores durante 3 segundos. Una vez el nuevo límite registrado, una señal acústica resuena



CONSEJOS DE COCCIÓN

Calidad de las cacerolas

Materiales adecuados: acero, acero esmaltado, fundición, inoxidable con fondo ferro-magnético, aluminio con fondo ferro-magnético

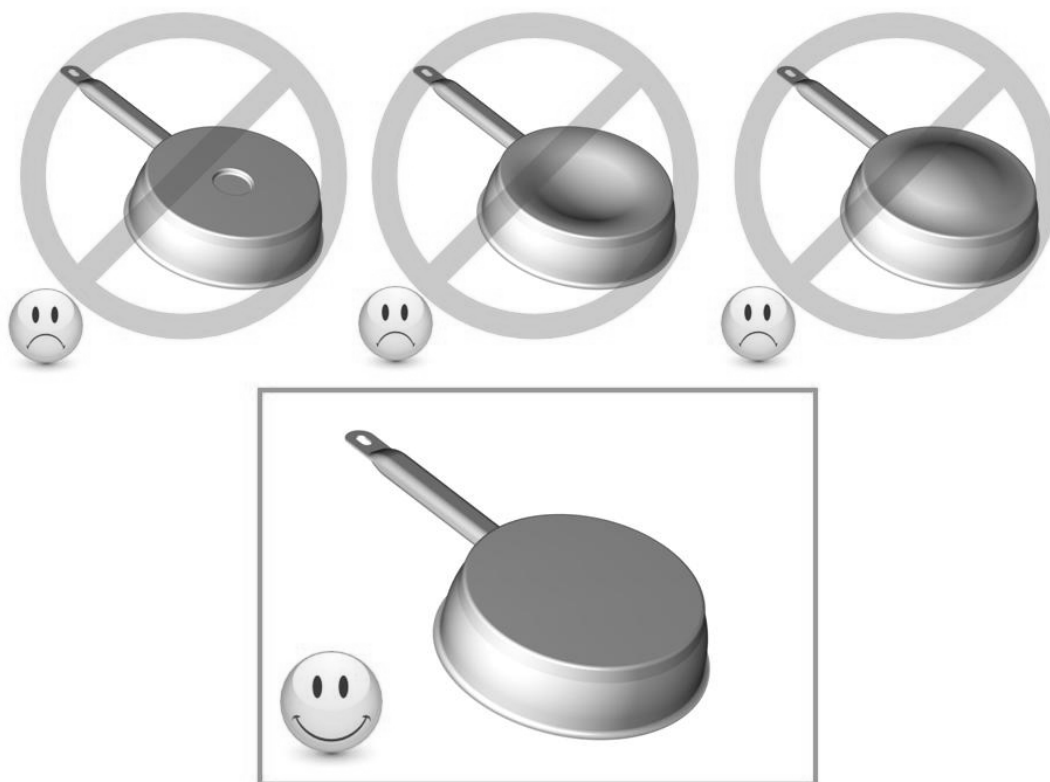
Materiales no adecuados: aluminio e inoxidable con fondo no ferro-magnético, cobre, latón, vidrio, cerámica, porcelana

Los fabricantes especifican si sus productos son compatibles con la inducción.

Para verificar si las cacerolas son compatibles:

- Ponga un poco de agua en una cacerola colocada sobre una zona de cocción por inducción regulada a nivel [9]. Este agua debe calentarse en algunos segundos.
- Ponga un imán sobre el fondo externo de la cacerola; debe quedarse pegado.

Algunas cacerolas pueden hacer ruido al colocarlas sobre una zona de cocción por inducción. Estos ruidos no representan en ningún caso un defecto en el aparato ni tienen influencia en su funcionamiento.



Dimensión de las cacerolas

Las zonas de cocción se adaptan automáticamente a la dimensión del fondo de la cacerola, hasta un cierto límite. Por ello, el fondo de esta cacerola debe tener un diámetro mínimo en función del diámetro de la zona de cocción correspondiente.

Para obtener el máximo rendimiento de la placa de cocción, coloque la cacerola bien centrada en la zona de cocción.

Ejemplos de ajuste de las potencias de cocción

(los siguientes valores son indicativos)

1 a 2	Hacer fundir Recalentar	Salsas, mantequilla, chocolate, gelatina Platos precocinados
2 a 3	Inflar Descongelar	Arroz, puddings y platos cocinados Legumbres, pescados, productos congelados
3 a 4	Vapor	Legumbres, pescados, carne
4 a 5	Agua	Patatas hervidas, sopas, pastas Legumbres frescas
6 a 7	Cocer a fuego suave	Carnes, hígado, huevos, salchichas Goulasch, filetes rellenos, callos
7 a 8	Cocer, Freír	Patatas, buñuelos, tortas
9	Freír, llevar a ebullición	Filetes, tortillas, agua
P	Freír, Llevar a ebullición	Llevar a ebullición cantidades importantes de agua

CONSERVACIÓN Y LIMPIEZA

Es necesario apagar completamente el aparato para limpiarlo.

Deje enfriar el aparato, ya que hay riesgo de quemaduras.

- Limpie los restos de cocción con agua a la que haya añadido un producto lavavajillas o un producto comercial aconsejado para vitrocerámica.
- No utilice productos de limpieza abrasivos que podrían dañar el aparato.
- Seque el aparato con un trapo limpio.
- Retire inmediatamente el azúcar o materiales que contengan azúcar.
- No utilice en ningún caso aparatos "a vapor" o "a presión".
- No utilice objetos que comporten riesgo de rayar la vitrocerámica (como estropajos abrasivos o puntas de cuchillo...).

QUÉ HACER EN CASO DE PROBLEMA

La placa de cocción o las zonas de cocción no se encienden:

- La placa está mal conectada a la red eléctrica
- El fusible de protección ha saltado
- Verifique que no esté activado el bloqueo
- Las teclas táctiles están cubiertas de agua o de grasa
- Hay un objeto encima de las teclas táctiles

El símbolo [U] se enciende:

- No hay cacerola en la zona de cocción
- El recipiente utilizado no es compatible con la inducción
- El diámetro del fondo de la cacerola es demasiado pequeño respecto a la zona de cocción

El símbolo [E] se enciende:

- Hay un fallo en el sistema electrónico
- Desconecte y vuelva a conectar el aparato

Una de las zonas o el conjunto de la placa de cocción se desconecta:

- Ha saltado la desconexión de seguridad
- Ésta se acciona en caso que haya olvidado de apagar una de las zonas de calentamiento
- Se conecta igualmente cuando una o varias teclas táctiles están tapadas
- Una de las cacerolas está vacía y su fondo se ha sobrecalentado
- La placa dispone igualmente de un dispositivo de reducción automática del nivel de potencia y de corte automático en caso de sobrecalentamiento

La ventilación continúa funcionando después de parar la placa:

- Esto no es un fallo, el ventilador continúa protegiendo la electrónica del aparato
- La ventilación se parará automáticamente

El panel de control indica [L]:

- Referirse al capítulo de bloqueo del panel de control.

El símbolo o [Er03] aparece en la pantalla:

- • Un objeto o líquido cubre las teclas de control. El símbolo desaparece cuando la llave de libertad o limpiar.

El símbolo [E2] o [E H] aparece en la pantalla:

- La placa se ha sobrecalentado, deje que se enfríe y vuelva a ponerla en marcha.

El símbolo [E3] aparece en la pantalla:

- El recipiente no es adecuado, cambie la cazuela o sartén.

El símbolo [E6] aparece en la pantalla:

- Redeléctrica defectuosa. Controlar la frecuencia y la tensión de la redeléctrica.

El símbolo [E8] aparece en la pantalla:

- Entrada de aire al ventilador obstruida, Libérela.

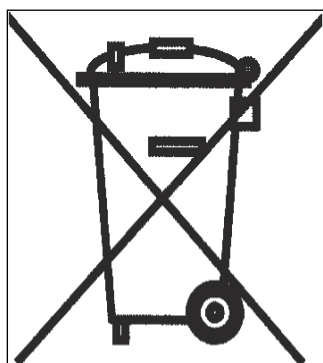
El símbolo [U400] aparece en la pantalla:

- Il piano di cottura non è collegato alla rete. Controllare la connessione e ricollegare il piano di cottura.

Si uno de los símbolos anteriores persiste, llame al servicio técnico.

PROTECCIÓN DEL MEDIO AMBIENTE

- Los materiales de embalaje son ecológicos y reciclables
- Los aparatos electrónicos están formados por materiales reciclables y a veces de materiales nocivos para el medio ambiente, pero necesarios para el buen funcionamiento y la seguridad del aparato



- No tirar nunca su aparato con los residuos domésticos
- Llame al servicio de retirada de electrodomésticos o déjelo en los lugares de depósito establecidos por su municipio y adaptados al reciclaje de los aparatos electrodomésticos

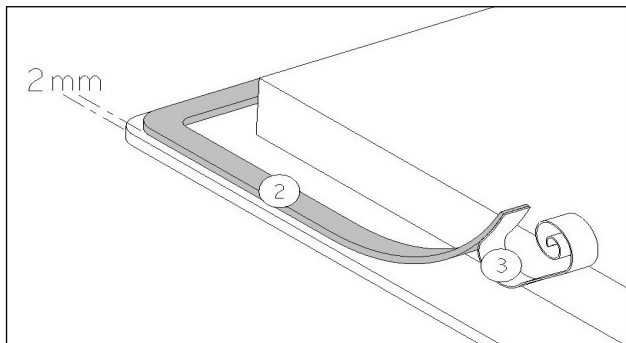
INSTRUCCIONES DE INSTALACIÓN

El montaje es competencia exclusiva de especialistas.

El usuario está obligado a respetar la legislación y las normas en vigor en su país de residencia.

Colocación de la junta de estanqueidad

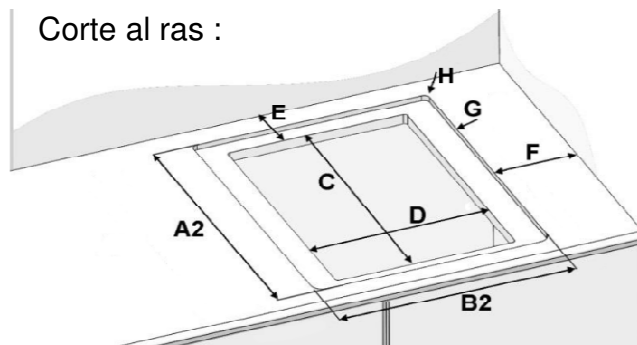
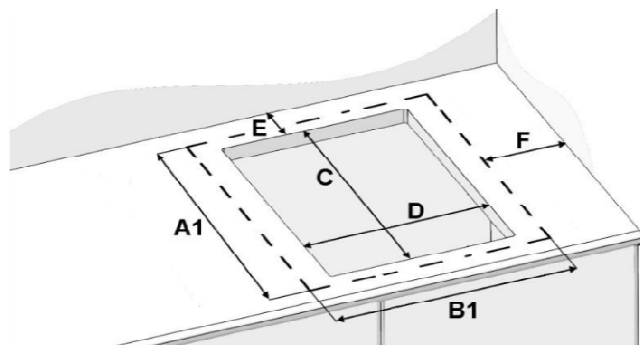
La junta adhesiva suministrada con el aparato permite evitar cualquier filtración en el mueble. Su colocación debe efectuarse con gran cuidado según el croquis adjunto.



Pegar la junta (2) sobre el reborde de la placa, a 2 mm del borde exterior, después de haber quitado la lámina de protección (3).

Encaje:

- La abertura en la superficie de trabajo será, según el modelo, de:



Corte al ras :

	Tamaño del vidrio		Dimensión de corte		Trasera	Lado	Ángulo	Dimensión de corte		Profundidad
	A1	B1	C	D	E	F	H	A2	B2	G
P603IC1B2NEE P603IC1B2GNEE P604IC1B2NEE P604IC1B2GNEE P604IC2B2NEE	520	590	490	560	50	40	8	526	596	5

- **La distancia entre la placa de cocción y la pared debe ser de 50 mm. como mínimo.**
- La placa de cocción es un aparato perteneciente a la clase de protección "Y". Cuando se empotre, en la parte posterior y en uno de los lados puede haber una pared o un armario alto. **Pero en el otro lado no debe haber ningún mueble ni aparato que sea más alto que la superficie de cocción.**
- Las placas y revestimientos de las superficies de trabajo deben ser de materiales resistentes al calor (100°C).
- Las juntas de los bordes de la pared deben ser termo-resistentes.
- Los materiales de las superficies de trabajo pueden hincharse en contacto con la humedad. Para los cantos del corte, aplique un barniz o una cola especial.
- No instale la placa encima de un horno sin ventilación ni de un lavavajillas.
- El mueble/superficie donde se instala la placa de cocción necesita poder soportar el peso de la misma, que es 20kg.
- Para asegurar que la placa quede fijada a la superficie correctamente, se sugiere colocar pesas (como ollas/cubetas con agua o arena) después de haber instalado la placa con el pegamento/silicona.
- Asegure **un espacio de 20 mm** entre el fondo de la caja del aparato y la pared para asegurar una buena circulación de aire para la refrigeración de la electrónica.
- Si hay un cajón debajo de la superficie de cocción, evite guardar en él objetos inflamables (por ejemplo: sprays) y objetos que no resistan el calor.
- La distancia de seguridad entre la placa de cocción y la campana de aspiración situada encima debe respetar las indicaciones del fabricante de la campana. En caso de falta de instrucciones, respete una distancia mínima de 760 mm.
- El cable de conexión no debe estar sometido, después de la colocación, a ninguna tensión mecánica, como la causada por un cajón.
- **ADVERTENCIA:** Use sólo protectores de las placas fabricados por el fabricante del electrodoméstico de cocción o en su defecto los que el mismo indique en su manual de uso y que sean compatibles con los protectores incorporados en el aparato electrodoméstico. El uso de protecciones inadecuadas puede causar accidentes.

CONEXIÓN ELÉCTRICA

- La instalación de este aparato y su conexión a la red eléctrica sólo deben confiarse a un electricista que esté al día de las prescripciones reglamentarias.
- La protección contra las piezas bajo tensión eléctrica debe asegurarse después del montaje.
- Los datos necesarios para la conexión se encuentran en la placa de características y en la placa de conexión situadas debajo del aparato.
- Este aparato debe poderse aislar del sector por medio de un dispositivo de seccionamiento omnipolar. Cuando esté abierto (desconectado) debe asegurarse una separación de 3 mm.
- El circuito eléctrico debe estar separado de la red por dispositivos adecuados, por ejemplo disyuntores, fusibles, interruptores diferenciales y contactores.
- Si el aparato no está provisto de una ficha accesible, otros medios de desconexión deben incorporarse a la instalación fija según las reglamentaciones de la instalación.
- El cable de alimentación debe colocarse de manera que no toca las partes calientes de la placa de conexión.

Atención!

Este aparato está diseñado sólo para una alimentación de 230 V~ 50/60 Hz

Conecte siempre la toma de tierra de protección.

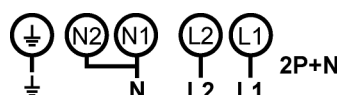
Siga el esquema de conexión.

La caja de conexión se encuentra debajo de la placa de conexión. Para abrir la tapa, utilice un destornillador medio. Colóquelo en las 2 ranuras situadas en la parte anterior de las 2 flechas.

Conexión de la encimera:

Red	Conexión	Diámetro del cable	Cable	Calibre de protección
230 V~ 50/60 Hz	1 Fase + N	3 x 2,5 mm ²	H 05 VV - F H 05 RR - F	25 A *
400 V~ 50/60 Hz	2 Fases + N	4 x 1,5 mm ²	H 05 VV - F H 05 RR - F	16 A *

* calculado con el coeficiente de simultaneidad según la norma EN 60 335-2-6



Atención! Introduzca bien los cables y apriete bien los tornillos.

No somos responsables de ningún incidente debido a una conexión incorrecta o que pudiere ocurrir a causa del uso de un aparato no conectado a tierra o equipado con una tierra defectuosa.

