



# Chairman +016

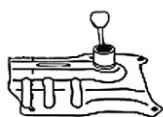
**RU** ИНСТРУКЦИЯ ПО СБОРКЕ  
**EN** ASSEMBLY INSTRUCTIONS  
**DE** AUFBAUANLEITUNG  
**FR** INSTRUCTIONS DE MONTAGE  
**IT** MANUALE D'USO  
**ES** INSTRUCCIONES DE MONTAJE  
**CS** NÁVOD K MONTÁŽI  
**KK** ЖИНАУ ЖӨНІНДЕГІ НҰСҚАУЛЫҚ

1



1 pcs

2



1 pcs

3



1 pcs

4a



1 pcs

4b



1 pcs

5



1 pcs

6



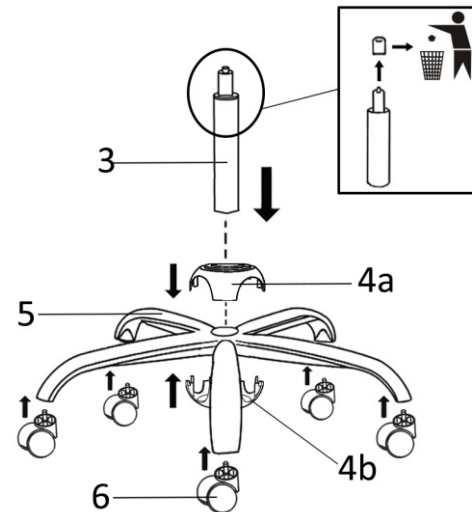
5 pcs

7

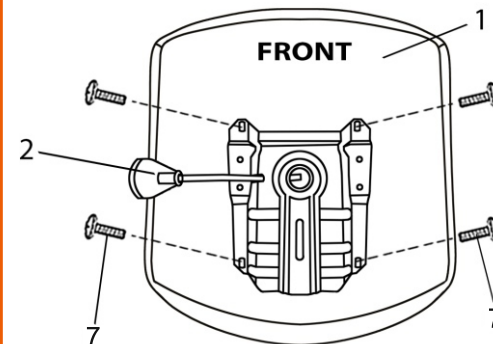


4 pcs

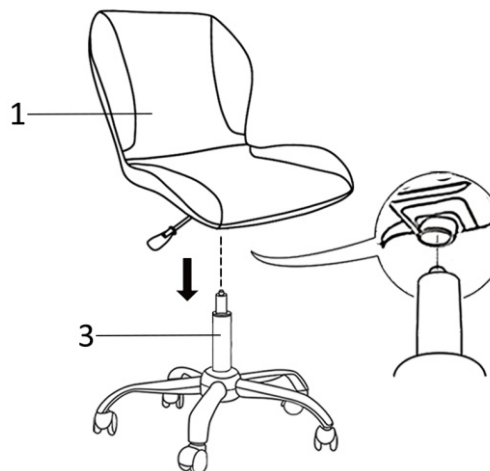
1



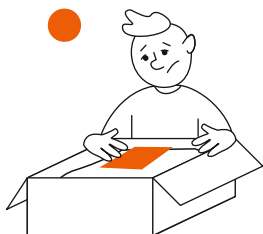
2



3

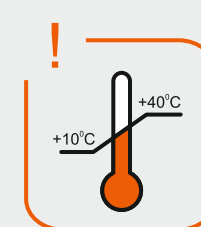
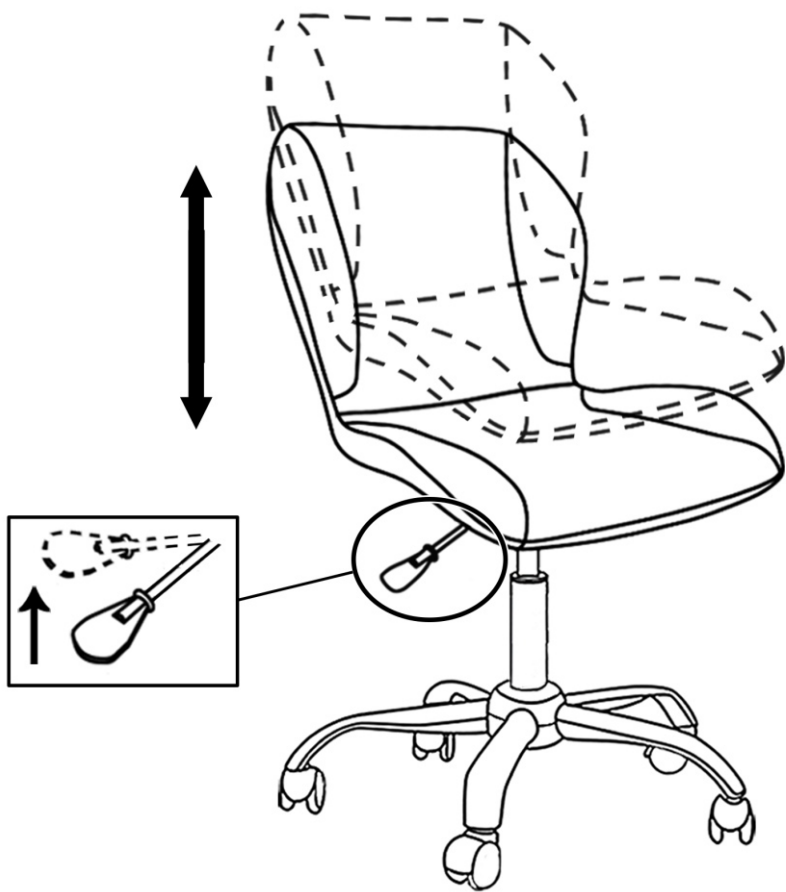


4



**STEP 1**

**STEP 2**



**CHAIRMAN**  
ПОМОГАЕТ РАБОТАТЬ

🌐 [chairman.ru](http://chairman.ru)  
✉ [info@chairman.ru](mailto:info@chairman.ru)  
📷 [instagram.com/chairman\\_chairs](https://www.instagram.com/chairman_chairs)  
📺 [vk.com/chairman\\_chairs](https://vk.com/chairman_chairs)  
📱 [@chairs.chairman](https://www.facebook.com/chairs.chairman)