



CERAMIC SANITARY
WARE
2020

SEREL[®]

CONTENTS

Bathroom Suit

Serel Helios	6
Serel Colors	9
Serel 4Life	20
Serel Poseidon	23
Serel Freestanding	26
Serel Purity	27
Serel Wave	29
Serel Amphora	31
Serel Marine	34
Serel Diagonal	36
Serel Rita	40
Serel Sapphire	44
Serel Smart	48
Serel Star	53
Serel Nita	56
Serel Friendly	60
Serel Etna	70
Serel Damla	72
Serel Zambak	75
Serel Mio	77

Special Series

Serel Minimal Washbasins	79
Serel Disabled Series	87
Serel Children	91

Single Pieces

Serel Washbasins With Shelves	94
Serel Vanity Washbasins	97
Serel Washbasins	100
Serel Squatting Pans	102
Serel WC Pans	103
Serel Urinals & Wall Separators	106
Serel Shower Trays	109

Complementary Product

Serel Accessories	112
Serel Flush Mechanism	116

CERTIFICATES



GERMANY



FRANCE



NETHERLAND



AUSTRALIA



ENGLAND



U.S.A



TURKEY



TURKEY



TURKEY



TURKEY



TURKEY



TURKEY



TURKEY



DESIGN AWARDS



reddot design award
winner 2016

PS33 SEREL
Poseidon
Washbasin



reddot design award
winner 2016

PS10 SEREL
Poseidon
Wall Hung WC Pan



reddot design award
winner 2015

PR35 SEREL
Purity
Washbasin



reddot design award
winner 2013

AN10 SEREL
Amphora
Wall Hung WC Pan



A'DESIGN AWARD
WINNER 2019
GOLD

1901 SEREL
Freestanding
Washbasin



A'DESIGN AWARD
WINNER 2018

PS30 SEREL
Poseidon
Washbasin



A'DESIGN AWARD
WINNER 2018
SILVER

PS32 SEREL
Poseidon
Washbasin



A'DESIGN AWARD
WINNER 2018
SILVER

SEREL
Luvi Urinal
Series



A'DESIGN AWARD
WINNER 2018
BRONZE

PS10 SEREL
Poseidon
Wall Hung WC Pan



A'DESIGN AWARD
WINNER 2016
BRONZE

SEREL
Helios
Washbasin Series



A'DESIGN AWARD
WINNER 2014

FL10 SEREL
4life
Wall Hung WC Pan



A'DESIGN AWARD
WINNER 2014
GOLD

3020 SEREL
Wave
Washbasin



A'DESIGN AWARD
WINNER 2014
SILVER

PR10 SEREL
Purity
Wall Hung WC Pan



A'DESIGN AWARD
WINNER 2014
BRONZE

FL32 SEREL
4life
Washbasin



A'DESIGN AWARD
WINNER 2014
BRONZE

PR35 SEREL
Purity
Washbasin



FL37 SEREL
4Life
Washbasin



PS32 SEREL
Poseidon
Washbasin



1901 SEREL
Freestanding
Washbasin



2018
Good Design Award

1901 SEREL
Freestanding
Washbasin



2018
Good Design Award

PS32 SEREL
Poseidon
Washbasin



2016
Good Design Award

PS10 SEREL
Poseidon
Wall Hung WC Pan



2016
Good Design Award

SEREL
Luvi
Urinal Series



2014
Good Design Award

FL10 SEREL
4life
Wall Hung WC Pan



2014
Good Design Award

PR35 SEREL
Purity
Washbasin



2014
Good Design Award

PR10 SEREL
Purity
Wall Hung WC Pan



2012
Good Design Award

SEREL
Amphora
Series



SEREL
Luvi Urinal
Series



PS32 SEREL
Poseidon
Washbasin



PS10 SEREL
Poseidon
Wall Hung WC Pan



FL10 SEREL
4life
Wall Hung WC Pan



PR10 SEREL
Purity
Wall Hung WC Pan

SEREL HYGIENE PLUS



The most innovative ceramic surface of **SEREL Hygiene Plus** offers **maximum savings**, germ free surfaces and hygienic atmosphere without using any chemicals for cleaning the surface.

SEREL PURE WASH



New technology rimless WCs are available in various alternatives. SEREL Rimless WCs have been designed with the unique Purewash technology, **no rims, no edges, no obstacle for cleaning.** It is the most effective way of cleaning the pan.

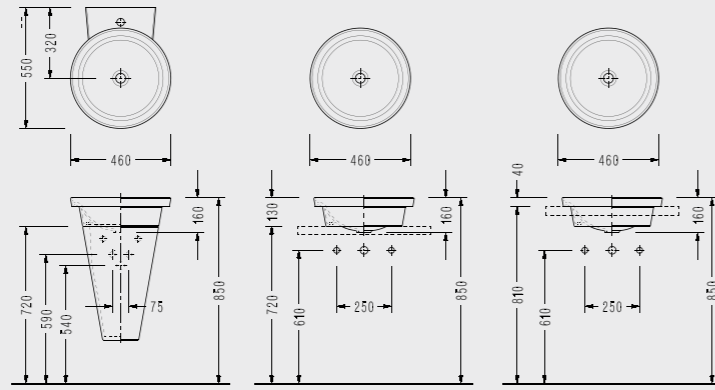
SEREL EASY WASH



Easywash with **waterfall technology** is a **special water flow feature** in the WC. The most effective washing function as well as reaching and cleaning all over and every single point of the WC without any splash.

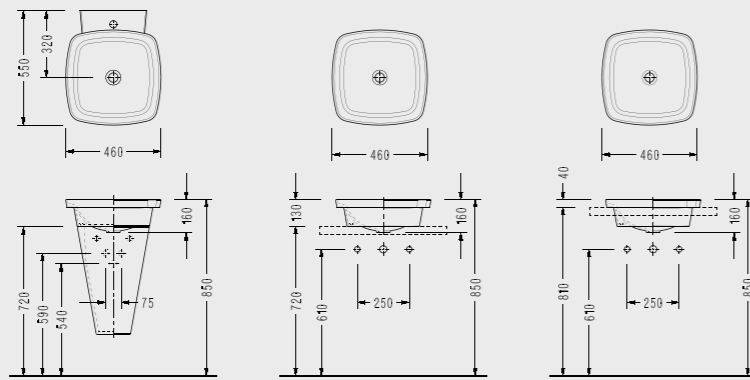
Product	Technical Drawings	Code
---------	--------------------	------

SEREL HELIOS CIRCULAR WASHBASIN (Ø 46 cm.)



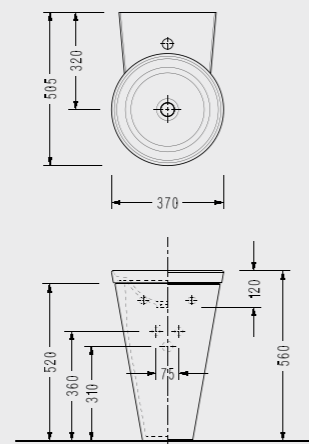
HL35

SEREL HELIOS SQUARE WASHBASIN (46 cm.)



HL36

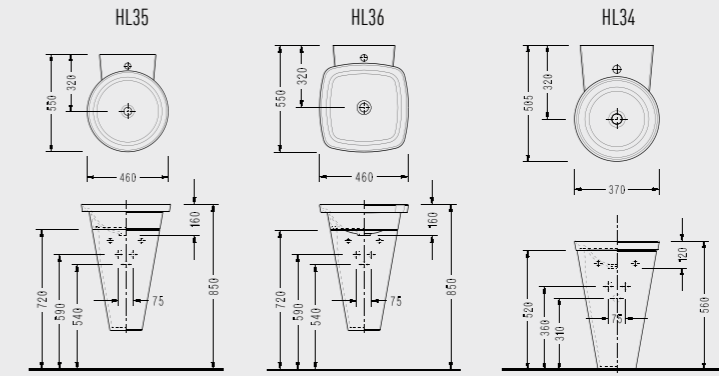
SEREL HELIOS CIRCULAR WASHBASIN (Ø 37 cm.)



HL34

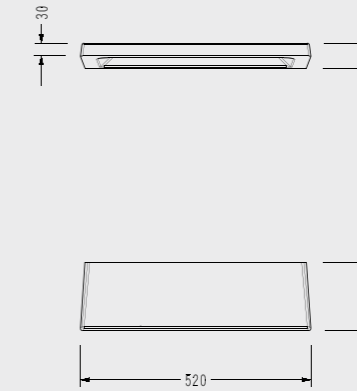
Product	Technical Drawings	Code
---------	--------------------	------

SEREL HELIOS SEMI PEDESTAL



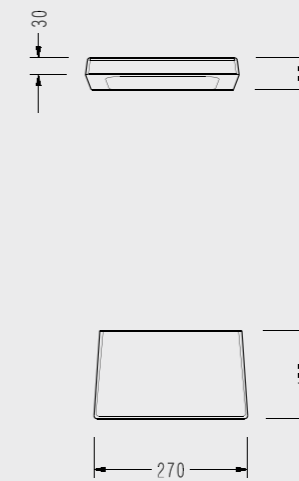
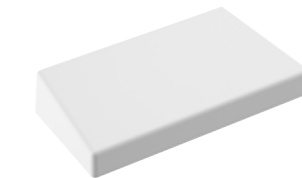
HL22

SEREL HELIOS SHELF

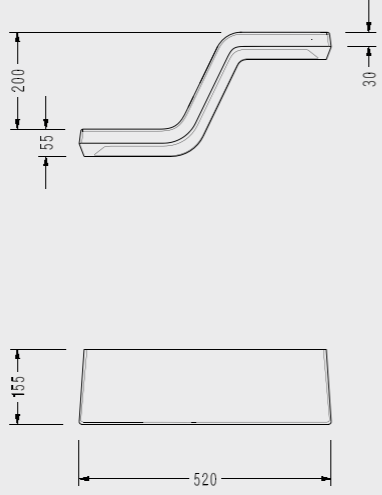
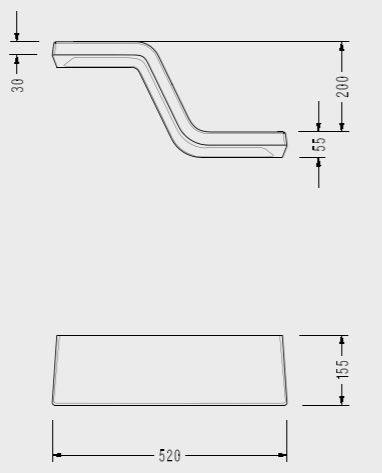


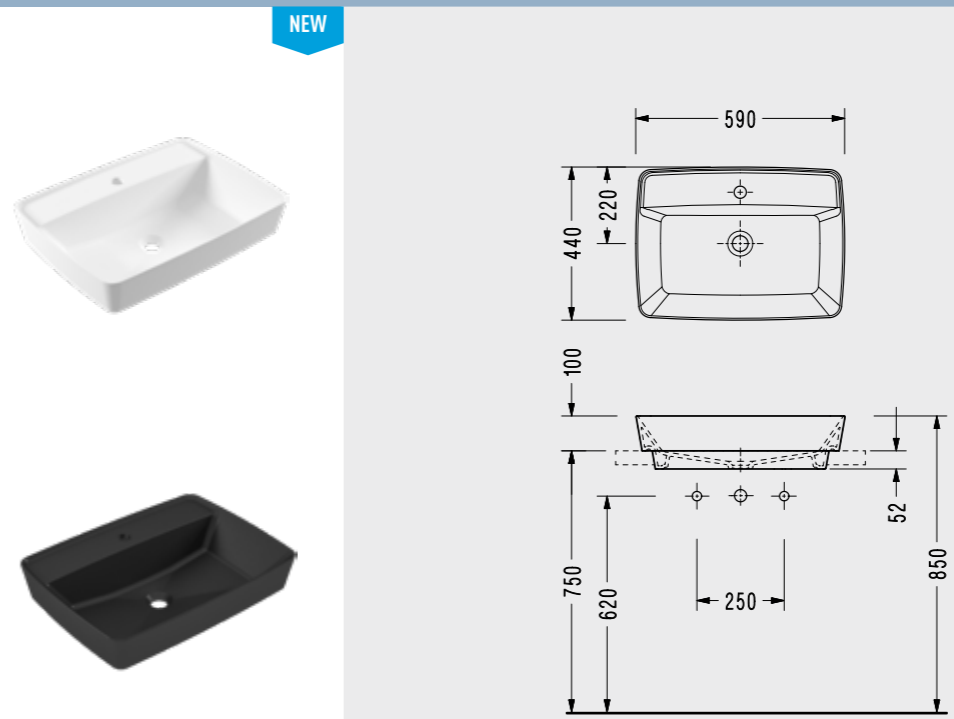
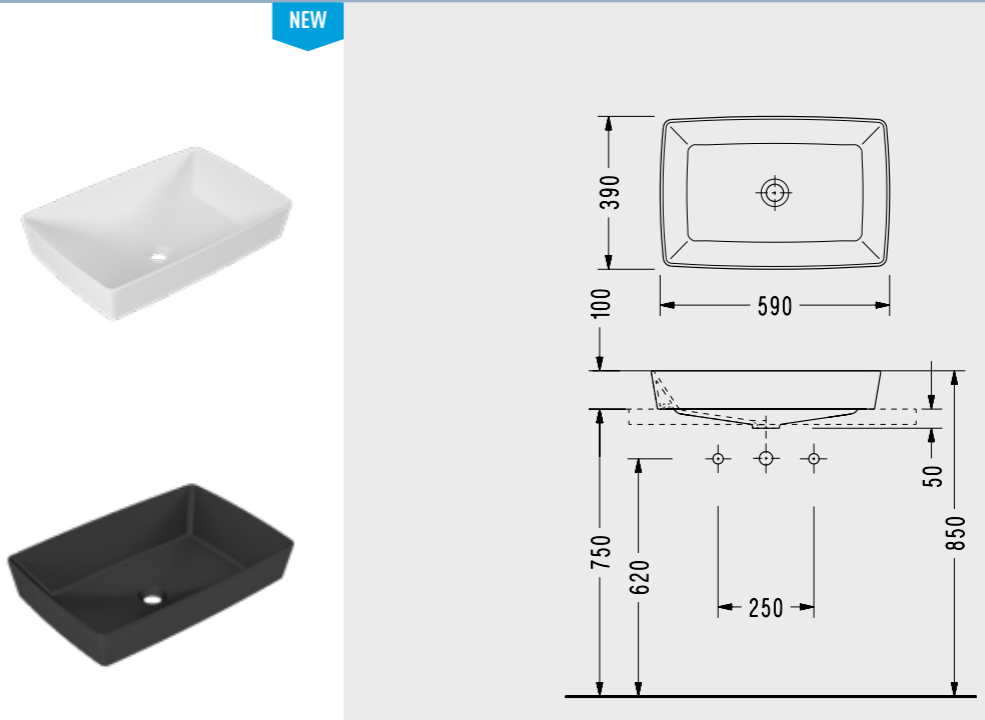
HL14


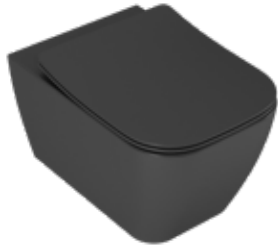

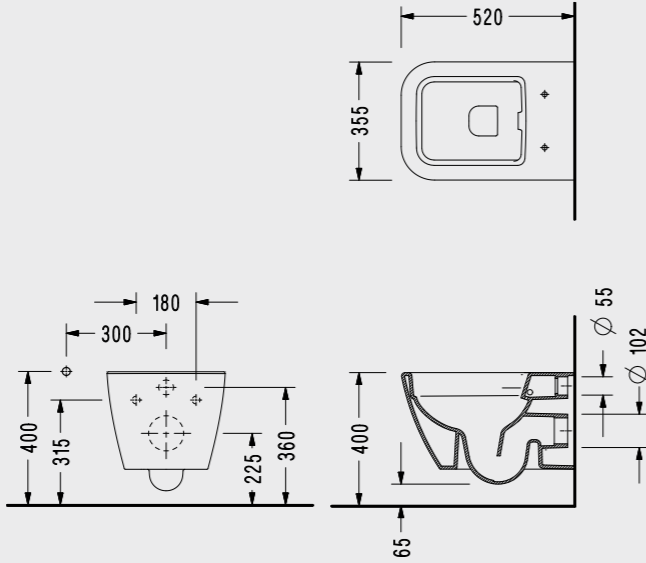
SEREL HELIOS SHELF



HL14



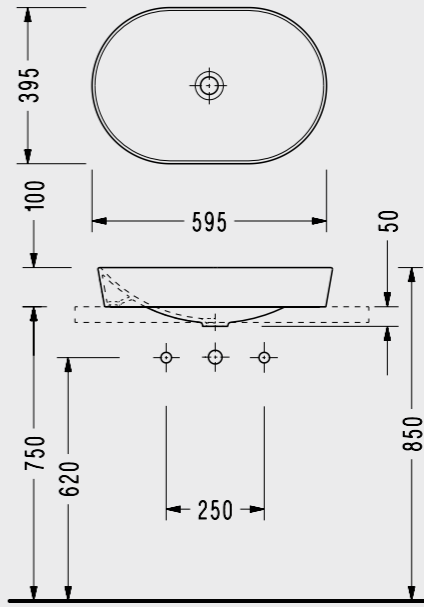
Product	Technical Drawings	Code
SEREL HELIOS SHELF		HE14
SEREL HELIOS SHELF		HS14


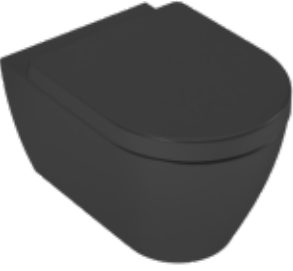
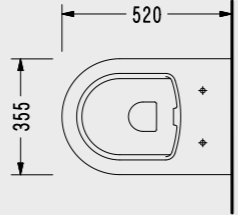
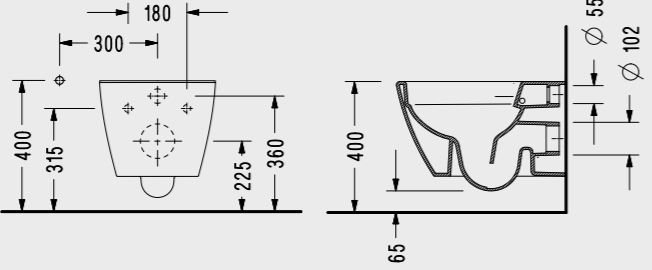
Product	Technical Drawings	Code
SEREL RITA WASHBASIN NEW		RT30TXL010H Matt White
		RT30TXL050H Matt Black
SEREL RITA WASHBASIN NEW		RT47DXL010H Matt White
		RT47DXL050H Matt Black


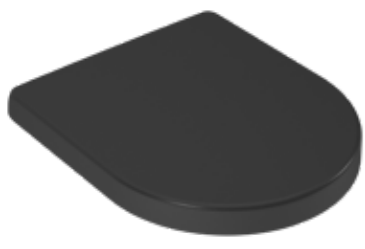
Product	Technical Drawings	Code
SEREL RITA WALL HUNG WC Pan (52 cm.)		
  		<p>RT26-010H Matt White</p> <p>RT26-050H Matt Black</p>



Product	Technical Drawings	Code
SEREL PIA SILENT CLOSE SEAT AND COVER		
 		<p>150400120027 Matt White</p> <p>150400120028 Matt Black</p>



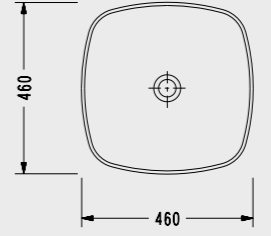
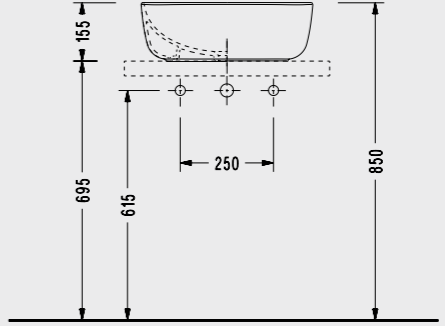
Product	Technical Drawings	Code
SEREL PIA SLIM SILENT CLOSE EASY-RELEASE SEAT AND COVER		
 		<p>150400120029 Matt White</p> <p>150400120030 Matt Black</p>



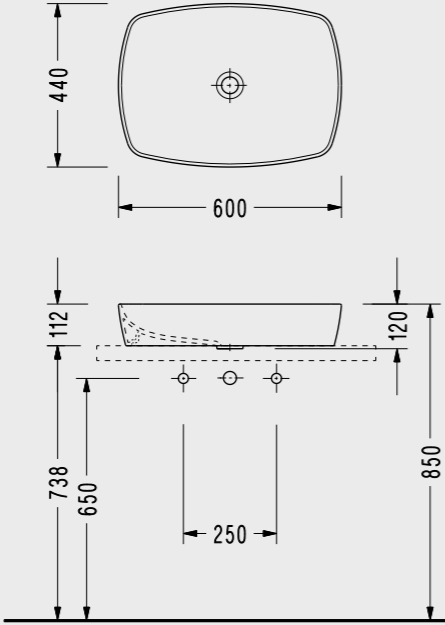
Product	Technical Drawings	Code
SEREL SAPPHIRE WASHBASIN		
 		<p>SP46DXL010H Matt White</p> <p>SP46DXL050H Matt Black</p>



Product	Technical Drawings	Code
SEREL SAPPHIRE WALL HUNG WC Pan (52 cm.)		
<p>NEW</p>  <p>SEREL PURE WASH</p> 	 	<p>SP26-010H Matt White</p> <p>SP26-050H Matt Black</p>




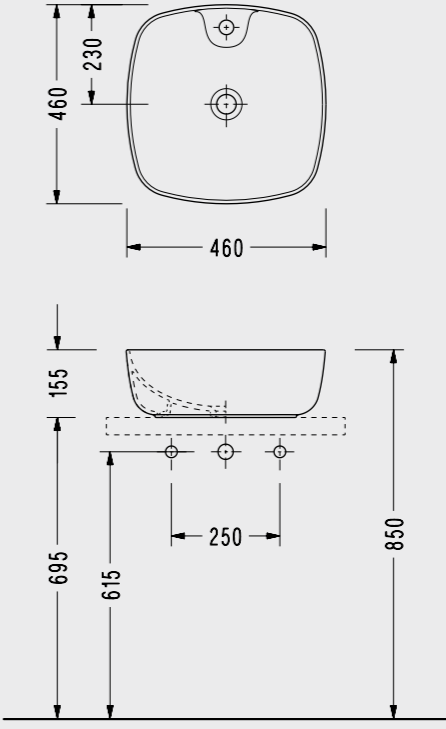
Product	Technical Drawings	Code
SEREL SERA SILENT CLOSE SEAT AND COVER		
<p>NEW</p>  		<p>150400120023 Matt White</p> <p>150400120024 Matt Black</p>




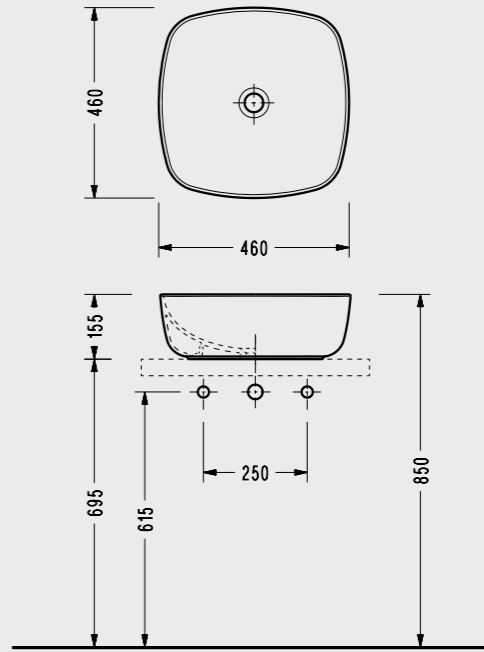
Product	Technical Drawings	Code
SEREL SERA SLIM SILENT CLOSE SEAT AND COVER		
<p>NEW</p>  		<p>150400120025 Matt White</p> <p>150400120026 Matt Black</p>


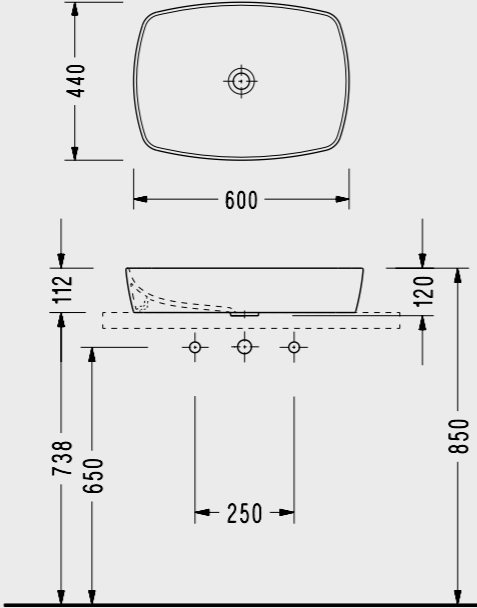


Product	Technical Drawings	Code
SEREL MINIMAL SLIM POT WASHBASIN (46 cm.)		
<p>NEW</p>  	 	<p>3049DXL010H Matt White</p> <p>3049DXL050H Matt Black</p>


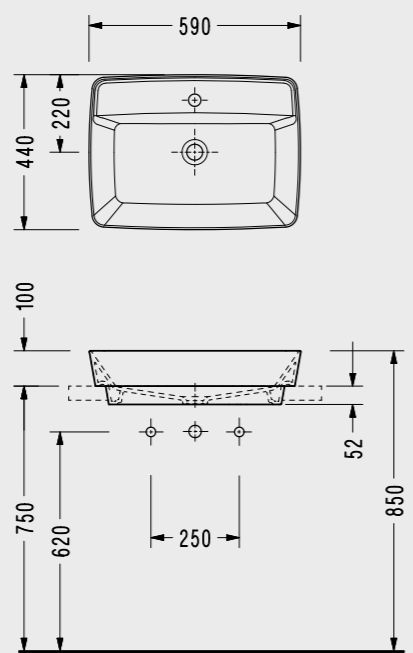


Product	Technical Drawings	Code
SEREL MINIMAL COUNTERTOP SLIM WASHBASIN (60 cm.)		
 		<p>1633DXL010H Matt White</p> <p>1633DXL050H Matt Black</p>




Product	Technical Drawings	Code
CERAMIC PLUG AND WASTE SIPHON UNIT		
 		<p>TP08STL010H Matt White</p> <p>TP08STL050H Matt Black</p>


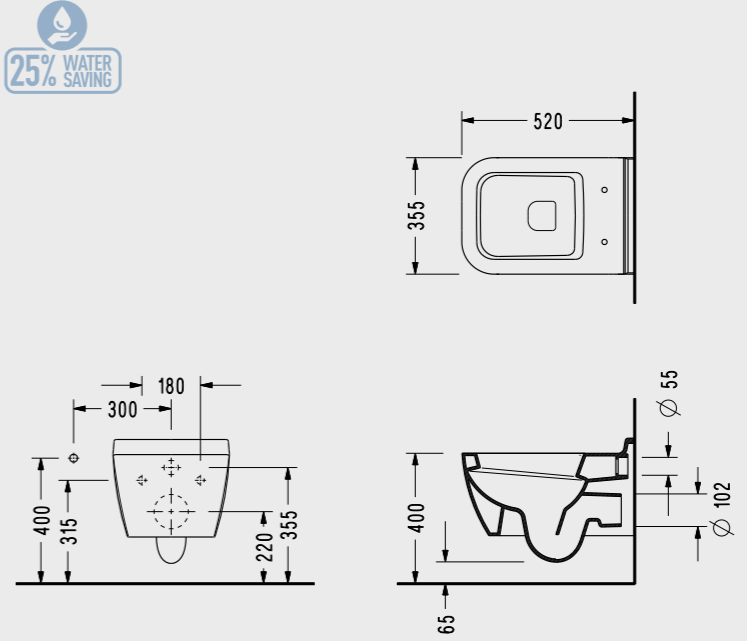


Product	Technical Drawings	Code
SEREL MINIMAL WASHBASIN		
  		<p>3016TXL530H Red</p> <p>3016TXL060H Black</p> <p>3016TXL100H Beige</p>


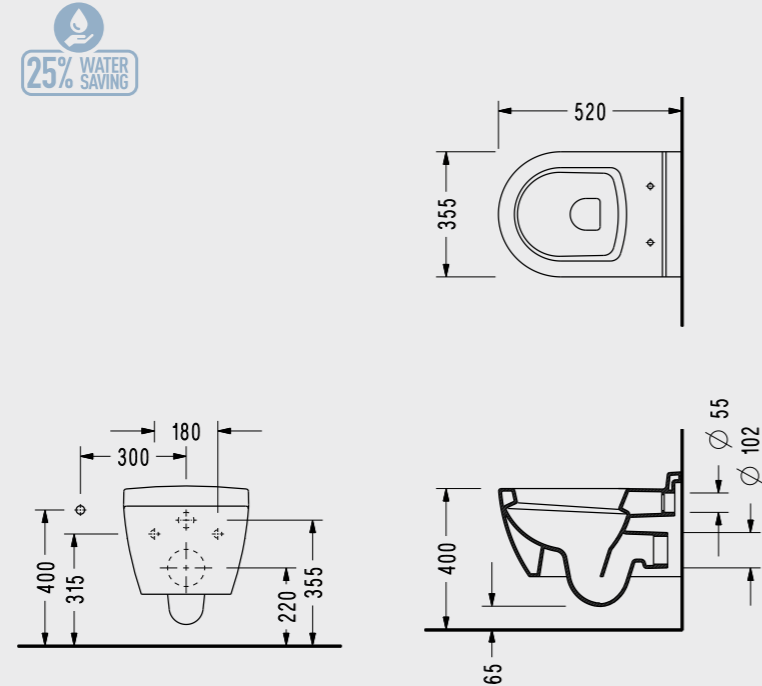
Product	Technical Drawings	Code
SEREL MINIMAL WASHBASIN		
  		<p>3049DXL530H Red</p> <p>3049DXL060H Black</p> <p>3049DXL100H Beige</p>


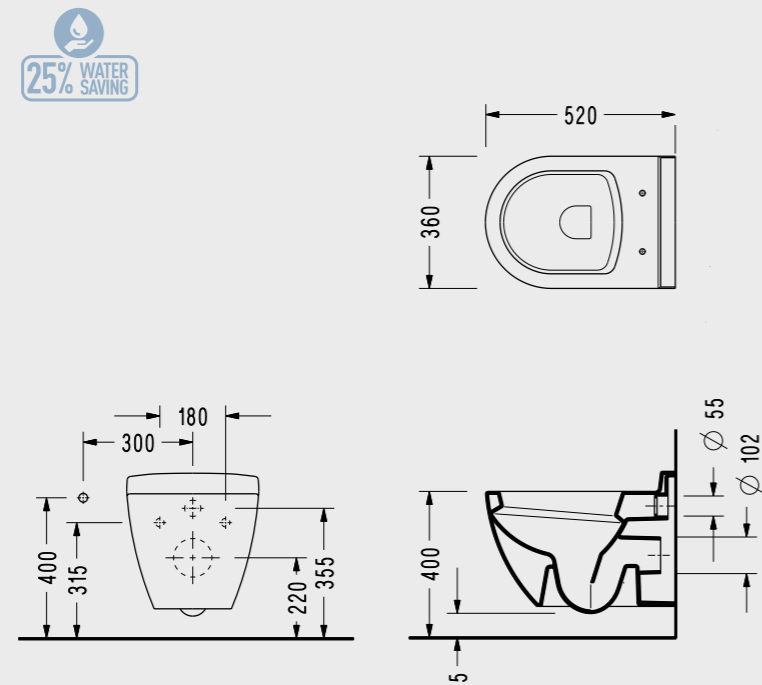
Product	Technical Drawings	Code
SEREL MINIMAL WASHBASIN		
		1633DXL530H Red
		1633DXL060H Black
		1633DXL100H Beige

Product	Technical Drawings	Code
SEREL RITA WASHBASIN		
		RT30TXL530H Red
		RT30TXL060H Black
		RT30TXL100H Beige

Product	Technical Drawings	Code
COLORED CERAMIC PLUG AND WASTE SIPHON UNIT		
		TP08STL530H Red
		TP08STL060H Black
		TP08STL100H Beige

Product	Technical Drawings	Code
SEREL RITA WALL HUNG WC PAN		
	 <p>25% WATER SAVING</p>	RT10-530H Red
		RT10-060H Black
		RT10-100H Beige

Product	Technical Drawings	Code
SEREL SAPPHIRE WALL HUNG WC PAN		
		<p>SP10-530H Red</p> <p>SP10-060H Black</p> <p>SP10-100H Beige</p>

Product	Technical Drawings	Code
SEREL SMART WALL HUNG WC PAN		
		<p>SM23-530H Red</p> <p>SM23-060H Black</p> <p>SM23-100H Beige</p>

Product	Technical Drawings	Code
SEREL ZETA SLIM SILENT CLOSE EASY-RELEASE SEAT AND COVER		
		<p>223ZS00532 Red</p> <p>223ZS00062 Black</p> <p>223ZS00102 Beige</p>

Product	Technical Drawings	Code
SEREL BETA SLIM SILENT CLOSE EASY-RELEASE SEAT AND COVER		
		<p>223BS00532 Red</p> <p>223BS00062 Black</p> <p>223BS00102 Beige</p>

Product	Technical Drawings	Code
SEREL 4LIFE DOUBLE BOWL WASHBASIN (100 cm.)		FL32



SEREL 4LIFE MONOBLOCK WALL HUNG WASHBASIN (48,5 cm)		FL37
---	--	------


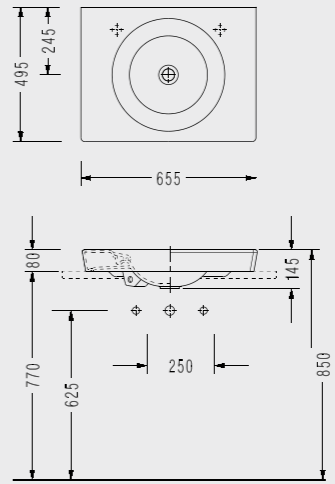

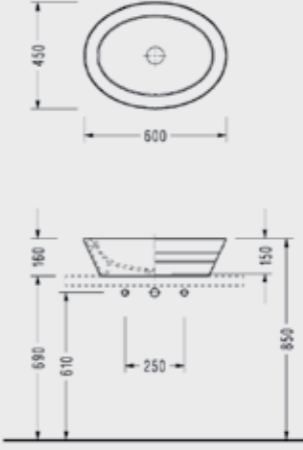

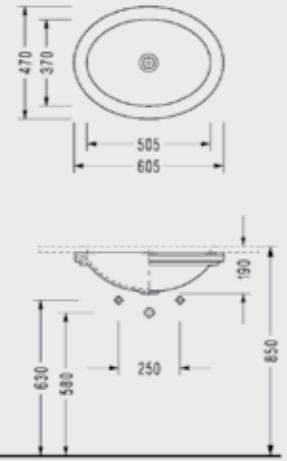
SEREL 4LIFE SEMI COUNTERTOP WASHBASIN (60 cm.)		FL44
--	--	------

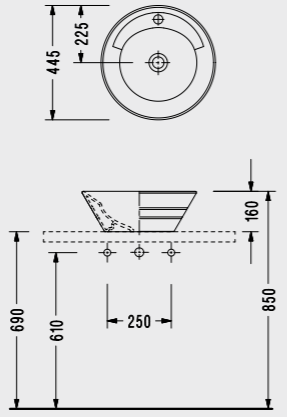
Product	Technical Drawings	Code
SEREL 4LIFE COUNTERTOP WASHBASIN (60 cm.)		FL01

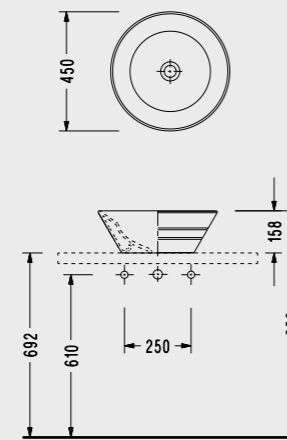
SEREL 4LIFE CERAMIC PLUG AND WASTE SIPHON UNIT		TP10STL110H
--	--	-------------


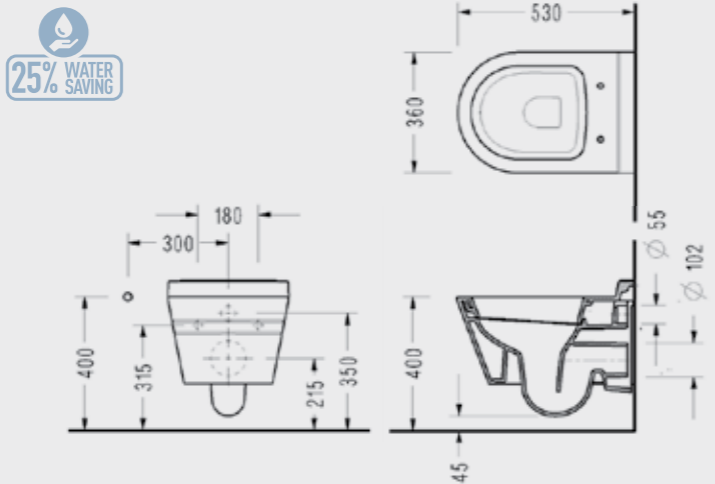
SEREL 4LIFE WALL HUNG WC PAN (53 cm.)		FL10
---------------------------------------	--	------

Product	Technical Drawings	Code
SEREL SIGMA SLIM SILENT CLOSE EASY-RELEASE SEAT AND COVER		
	 <p>SEREL® EasyRelease® SEREL® SilentClose®</p>	223SS00002

Product	Technical Drawings	Code
SEREL POSEDION COUNTERTOP RECTANGULAR WASHBASIN (65,5 cm.)		
 <p>SEREL EASY WASH</p> <p>Tap holes are optional</p>		PS30
SEREL POSEDION COUNTERTOP WASHBASIN (60 cm.)		
 <p>SEREL EASY WASH</p>		PS32
SEREL POSEDION UNDERCOUNTER WASHBASIN (50,5 cm.)		
 <p>SEREL EASY WASH</p>		PS46

Product	Technical Drawings	Code
SEREL POSEDION COUNTERTOP WASHBASIN (Ø 44,5 cm.)		PS33

SEREL POSEDION COUNTERTOP WASHBASIN (Ø 45 cm.)		PS35
--	--	------

		PS10
---	--	------

Product	Technical Drawings	Code
SEREL BETA SLIM SILENT CLOSE EASY-RELEASE SEAT AND COVER		223BS00002

Product	Technical Drawings	Code
SEREL FREESTANDING WASHBASIN (Ø 49,5 cm.)		1901

Product	Technical Drawings	Code
CERAMIC PLUG AND WASTE SIPHON UNIT		TP06STL110H


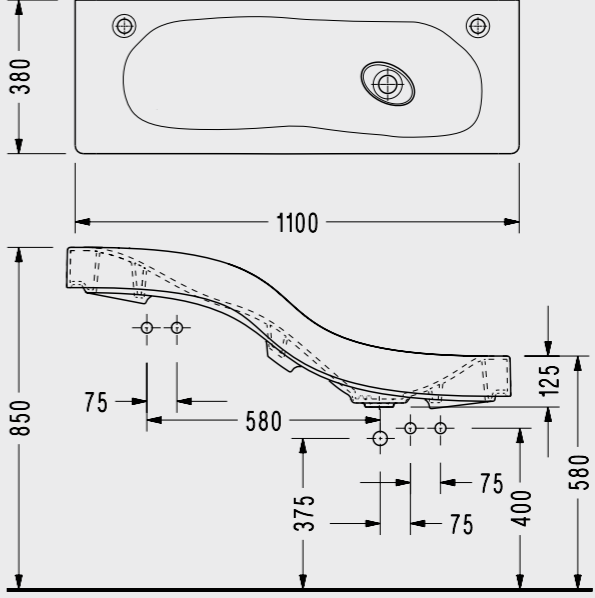

Eleks Diş Ticaret A.Ş. reserves the right to change the appearance, technical details of their products and price.


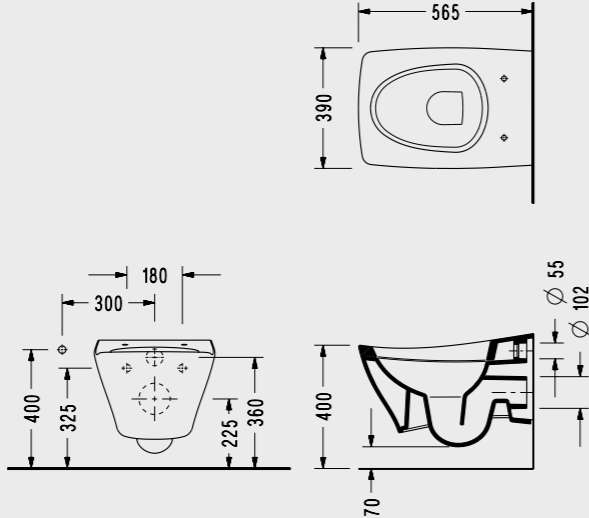
Product	Technical Drawings	Code
SEREL PURITY WASHBASIN (100 cm.)		PR35 Washbasin (100 cm.) 150400300481 Waste Siphon Unit



Product	Technical Drawings	Code
SEREL PURITY WALL HUNG WC PAN (52,5 cm.)		PR10


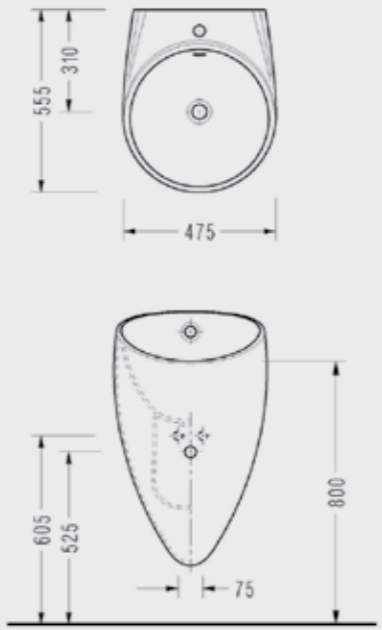
The images and technical drawings in the catalogue are for illustration purposes only.

Product	Technical Drawings	Code
SEREL BETA SLIM SILENT CLOSE EASY-RELEASE SEAT AND COVER		
	 <p>SEREL® EasyRelease® SEREL® SilentClose®</p>	223BS00002


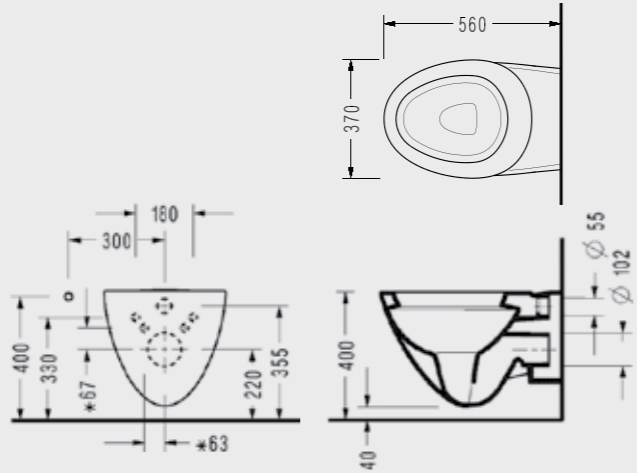
Product	Technical Drawings	Code
SEREL WAVE WASHBASIN (110 cm.)		
		3020
SEREL WAVE CERAMIC PLUG		
		TP20STL110H


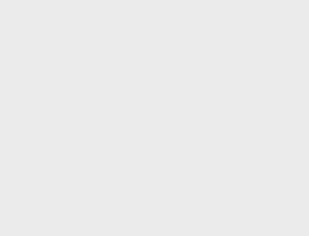
Product	Technical Drawings	Code
SEREL WAVE WALL HUNG WC PAN (56,5 cm.)		
		3011


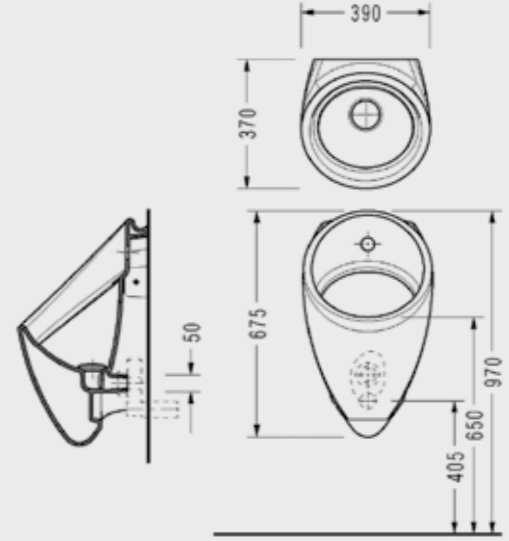
Product	Technical Drawings	Code
SEREL MARINE SILENT CLOSE EASY-RELEASE SEAT AND COVER		
		223MR0002


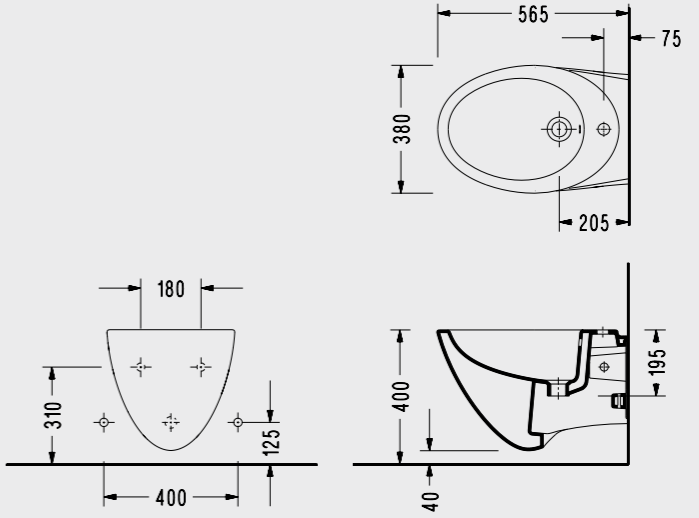
Product	Technical Drawings	Code
SEREL AMPHORA WASHBASIN		
		AN37 Washbasin 150400900004 Washbasin Mixer 150400800126 Led Illuminated Mirror (Ø 60 cm.) 150400800123 Shelf With Right Towel Hange (90 cm.) 150400800125 Teeth Brush Beaker 150400800132 Liquid Soap Dispenser


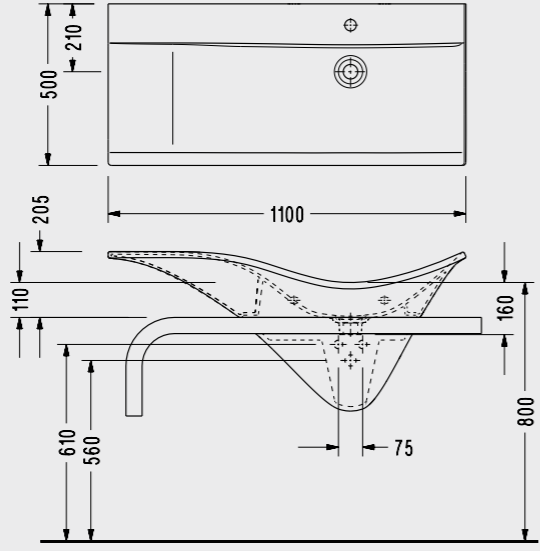
Product	Technical Drawings	Code
CERAMIC PLUG AND WASTE SIPHON UNIT		TP08STL110H

Product	Technical Drawings	Code
SEREL AMPHORA WALL HUNG WC Pan (56 cm.)		
	 <p>25% WATER SAVING</p>	<p>AN10 Wall Hung Wc Pan (56 cm.)</p> <p>150400900007 WC Pan Mixer</p>



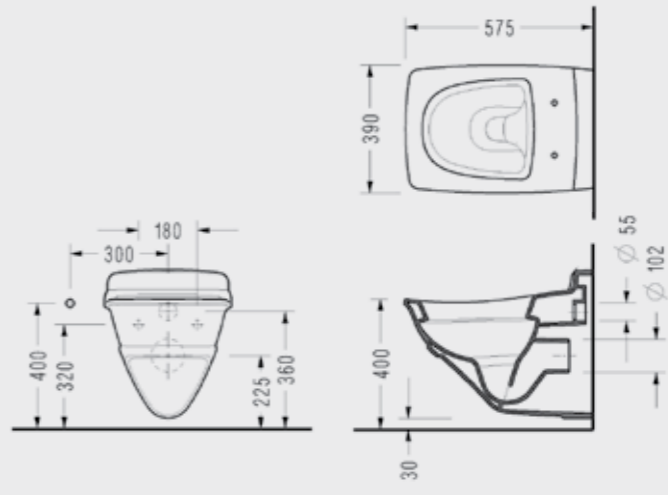
Product	Technical Drawings	Code
SEREL ORION SILENT CLOSE EASY-RELEASE SEAT AND COVER		
	 <p>EASY-RELEASE FUNCTION</p> <p>SEREL® EasyRelease® SEREL® SilentClose®</p>	<p>2230R00002</p>



Product	Technical Drawings	Code
SEREL AMPHORA REAR FLUSH INLET URINAL		
	 <p>FULL FUNCTION WITH 1 LT WATER</p>	<p>AN09 AZ Rear Flush Inlet Urinal</p> <p>150400300520 Automatic Urinal Flushing Unit (Infrared)</p> <p>150400300426 Power Supply (230/24V-DC)</p> <p>150400300522 Siphon For Urinals</p>


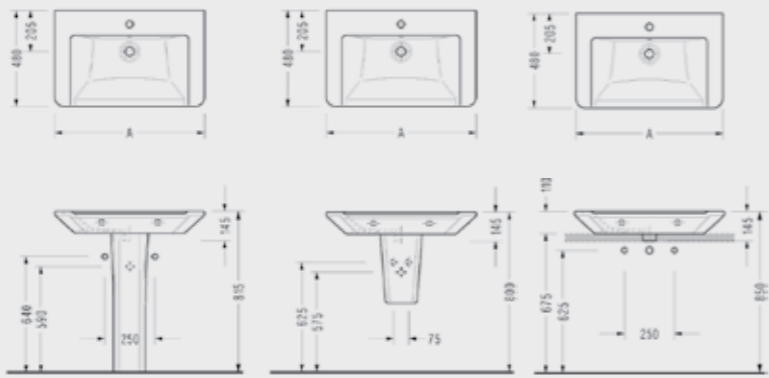


Product	Technical Drawings	Code
SEREL AMPHORA WALL HUNG BIDET (56,5 cm.)		
		<p>AN19</p>

Product	Technical Drawings	Code
SEREL MARINE WASHBASIN (110 cm.)		
		<p>MR01 Washbasin (110 cm.)</p> <p>MR21 Semi Pedestal</p> <p>150400800019 "L" Washbasin Console</p> <p>150400800004 Mirror</p>


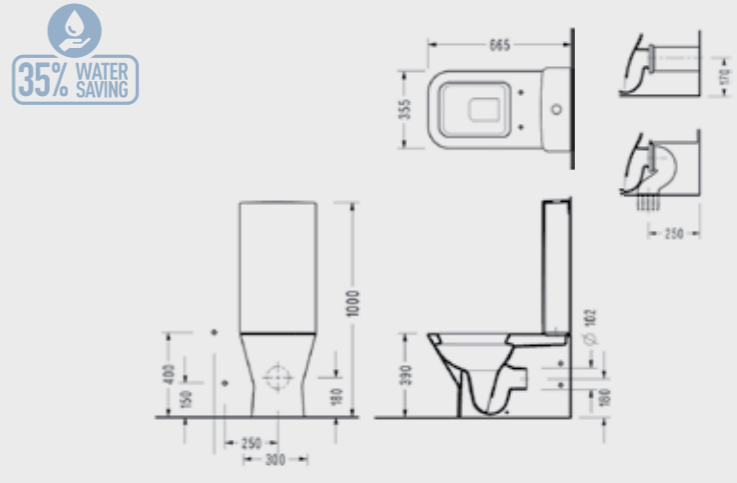

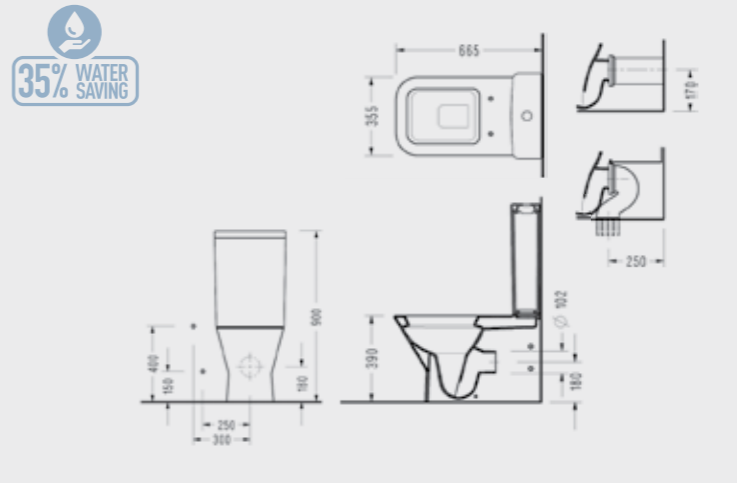

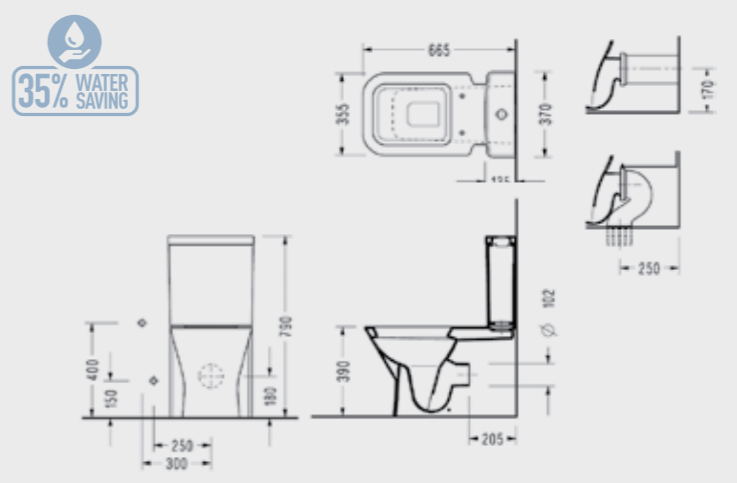
Product	Technical Drawings	Code
CERAMIC PLUG AND WASTE SIPHON UNIT		
		TP08STL110H

Product	Technical Drawings	Code
SEREL MARINE WALL HUNG WC PAN (57,5 cm.)		
	<p></p> 	MR10

Product	Technical Drawings	Code
SEREL MARINE SILENT CLOSE EASY-RELEASE SEAT AND COVER		
	<p></p> <p>SEREL® EasyRelease® SEREL® SilentClose®</p>	223MR00002


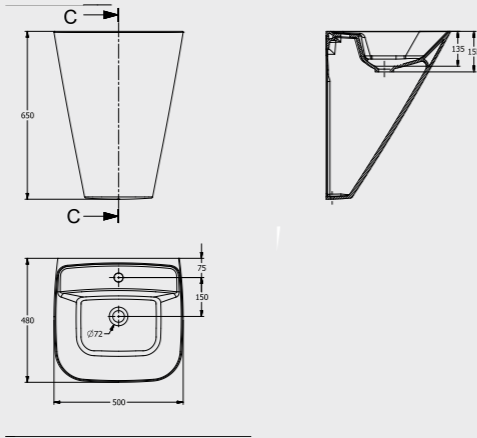
Product	Technical Drawings	Code								
SEREL DIAGONAL WASHBASIN										
		DG01 Washbasin (65 cm.)								
		DG30 Washbasin (75 cm.)								
		DG35 Washbasin (85 cm.)								
		DG05 Full Pedestal								
		DG21 Semi Pedestal								
	<table border="1"> <thead> <tr> <th>A</th> <th>Code</th> </tr> </thead> <tbody> <tr> <td>650</td> <td>DG01</td> </tr> <tr> <td>750</td> <td>DG30</td> </tr> <tr> <td>850</td> <td>DG35</td> </tr> </tbody> </table>	A	Code	650	DG01	750	DG30	850	DG35	
A	Code									
650	DG01									
750	DG30									
850	DG35									

Product	Technical Drawings	Code
CERAMIC PLUG AND WASTE SIPHON UNIT		
		TP08STL110H

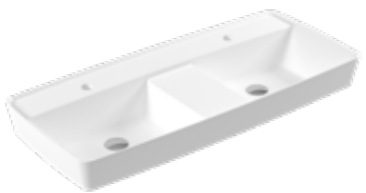
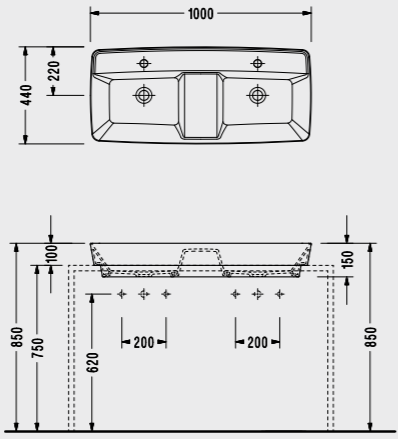
Product	Technical Drawings	Code
SEREL DIAGONAL BTW CLOSE-COUPLED WC PAN (66,5 cm.) + SEREL AMADIS JACKET CISTERN		
		DG02 BTW Close Coupled WC Pan (66,5 cm.)
		AD46 Jacket Cistern
	Compatible with 150400400169 Flush Mechanism for Jacket Cistern.	
SEREL DIAGONAL BTW CLOSE-COUPLED WC PAN (66,5 cm.) + SEREL AMADIS TALL CISTERN		
		DG02 BTW Close Coupled WC Pan (66,5 cm.)
		AD29 Tall Cistern
	Compatible with 150400400002 Magnesia Flush Mechanism.	
SEREL DIAGONAL BTW CLOSE-COUPLED WC PAN (66,5 cm.) + SEREL DIAGONAL THIN CISTERN		
		DG02 BTW Close Coupled WC Pan (66,5 cm.)
		DG48 Thin Cistern
	Compatible with 150400400007 Kibebe Flush Mechanism.	


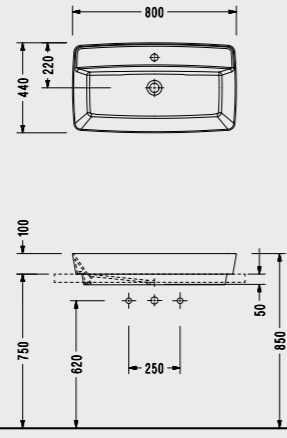
Product	Technical Drawings	Code
SEREL DIAGONAL WALL HUNG WC PAN (53 cm.)		D610
SEREL DIAGONAL SINGLE BTW WC Pan (56 cm.)		D611
SEREL DIAGONAL WALL HUNG BIDET (56 cm.)		D619


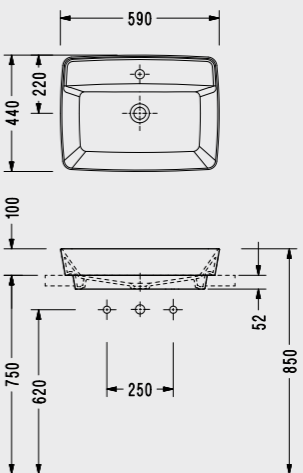
Product	Technical Drawings	Code
SEREL DIAGONAL BTW BIDET (57 cm.)		D603
SEREL ZETA SLIM SILENT CLOSE EASY-RELEASE SEAT AND COVER	<p>SEREL® EasyRelease® SEREL® SilentClose®</p>	223ZS00002
SEREL ZETA SILENT CLOSE EASY-RELEASE SEAT AND COVER	<p>SEREL® EasyRelease® SEREL® SilentClose®</p>	223ZT00002


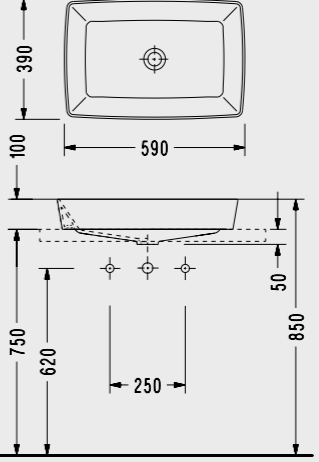
Product	Technical Drawings	Code
SEREL RITA MONOBLOK WALL HUNG WASHBASIN (50 cm.)		
		RT27


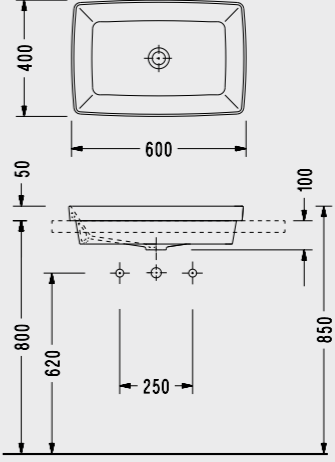
NEW


SEREL RITA COUNTERTOP DOUBLE BOWL WASHBASIN (100 cm.)		
		RT32


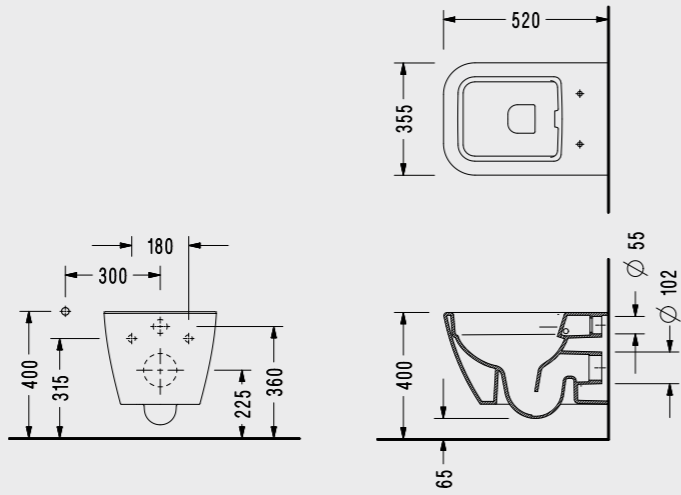
SEREL RITA COUNTERTOP SLIM WASHBASIN (80 cm.)		
		RT42


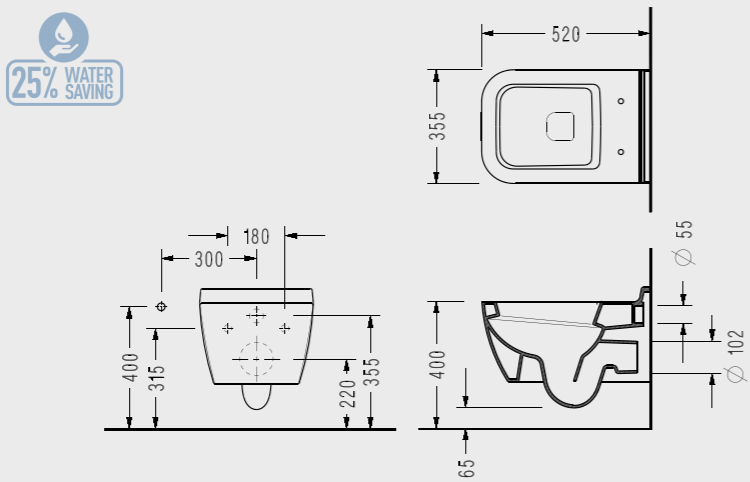
Product	Technical Drawings	Code
SEREL RITA COUNTERTOP SLIM WASHBASIN (60 cm.)		
		RT30


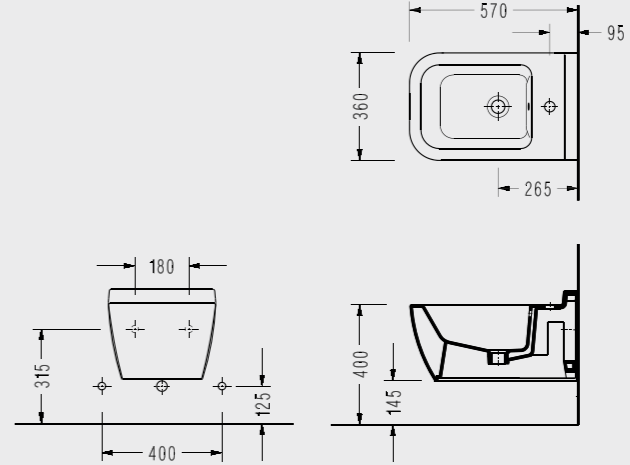
SEREL RITA COUNTERTOP SLIM WASHBASIN (59 cm.)		
		RT47



SEREL RITA COUNTERTOP BUILT-IN SLIM WASHBASIN (60 cm.)		
		RT34

Product	Technical Drawings	Code
CERAMIC PLUG AND WASTE SIPHON UNIT		TP08STL110H
		

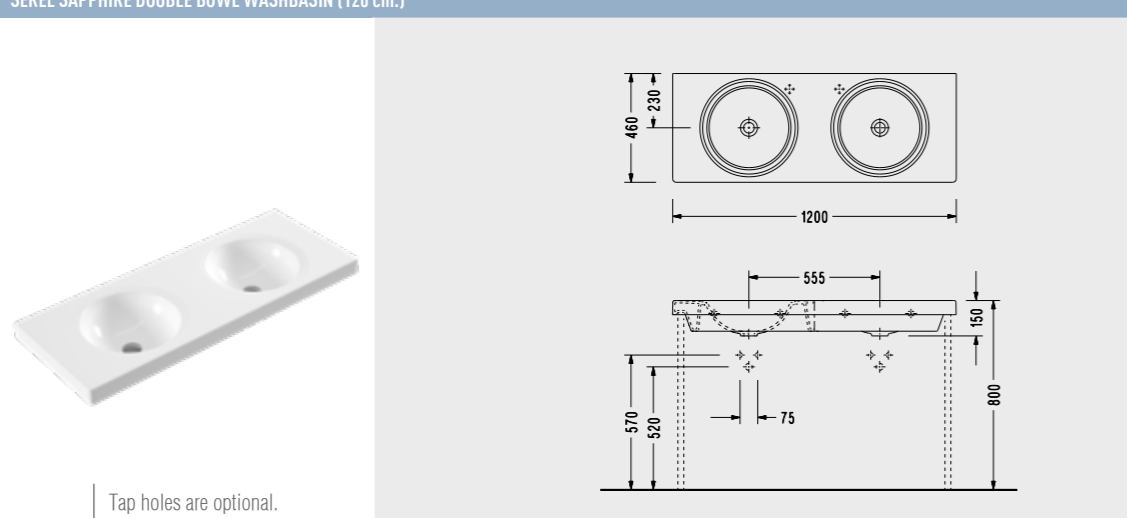
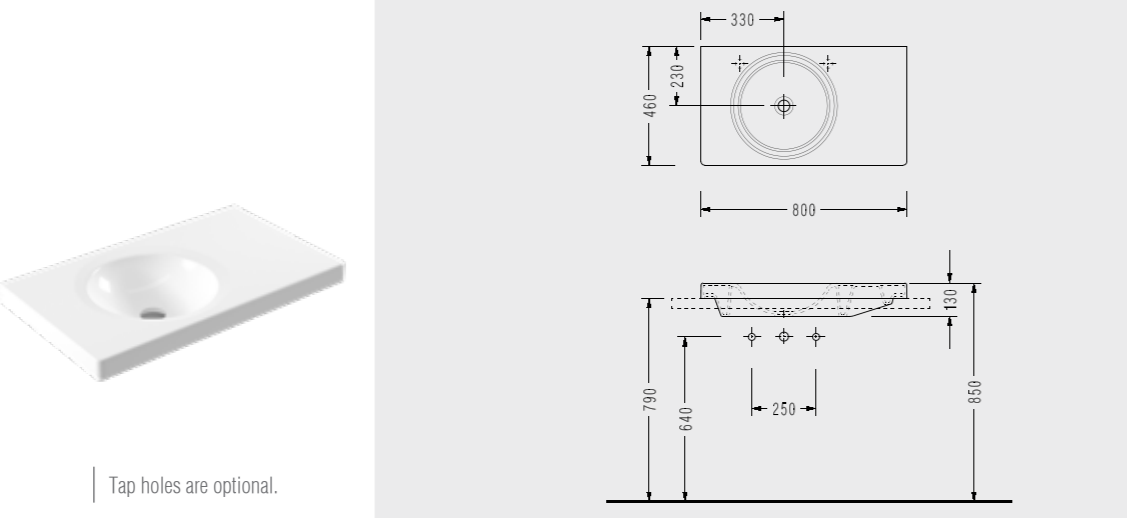
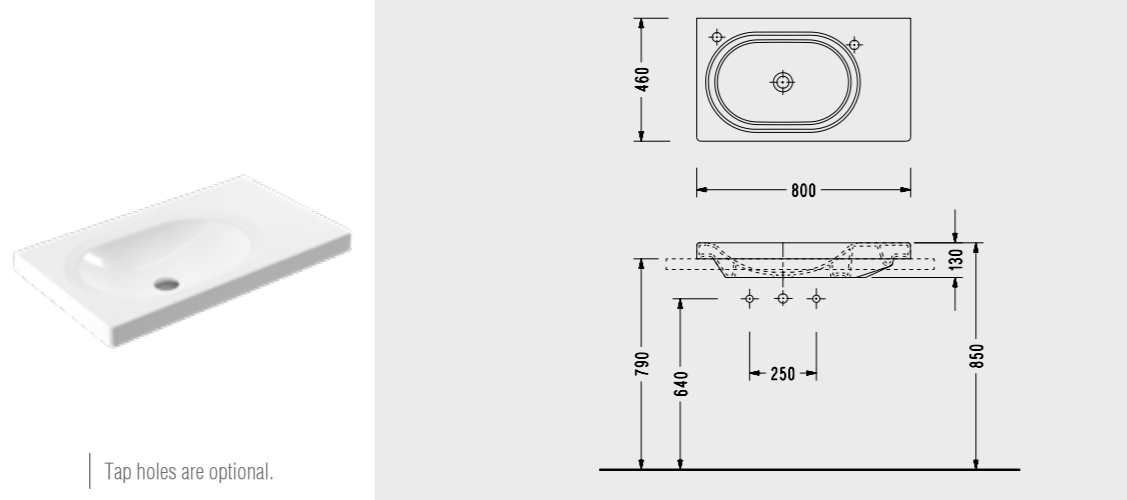
Product	Technical Drawings	Code
SEREL RITA WALL HUNG WC PAN (52 cm.)		RT26
		

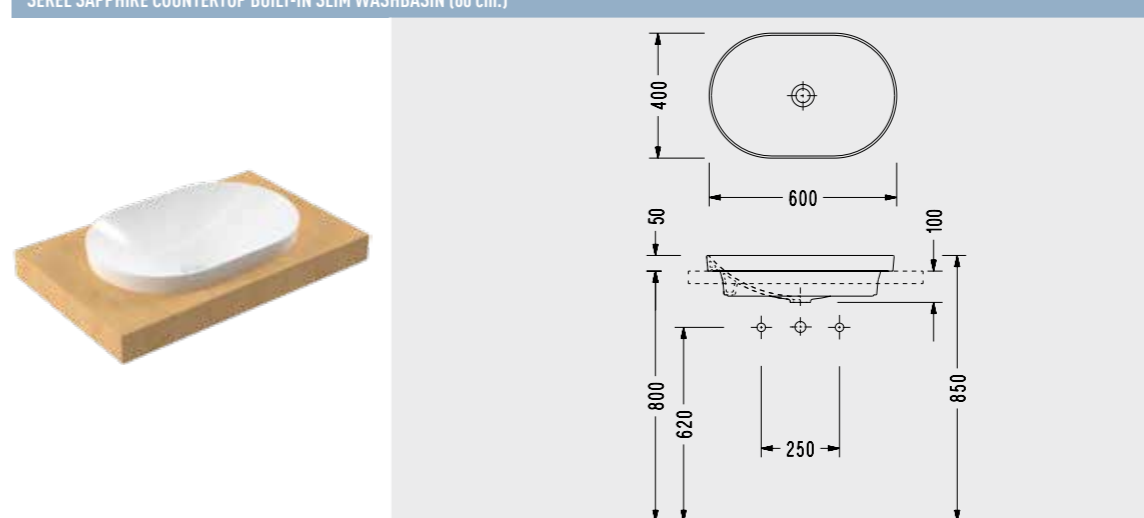
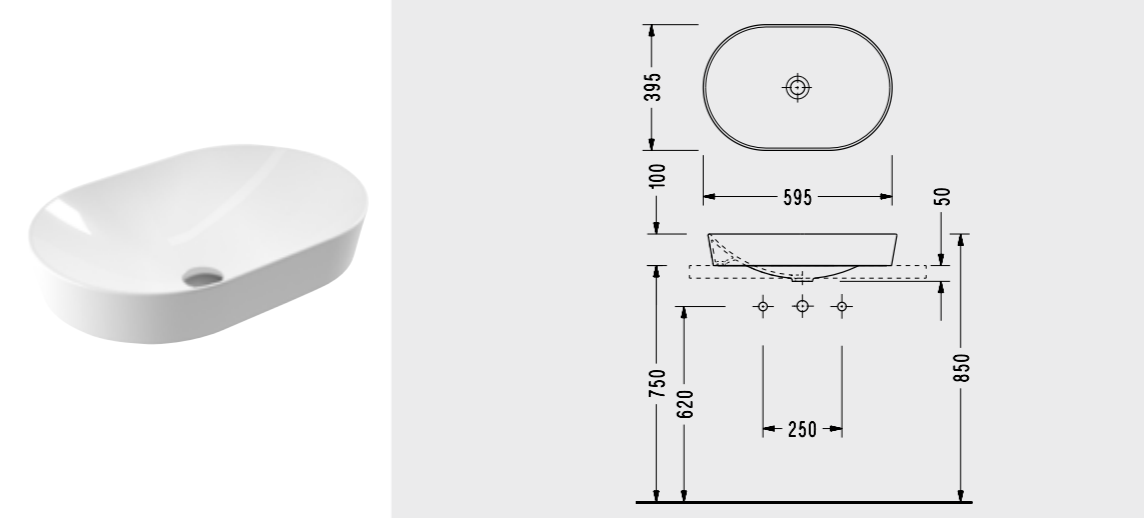
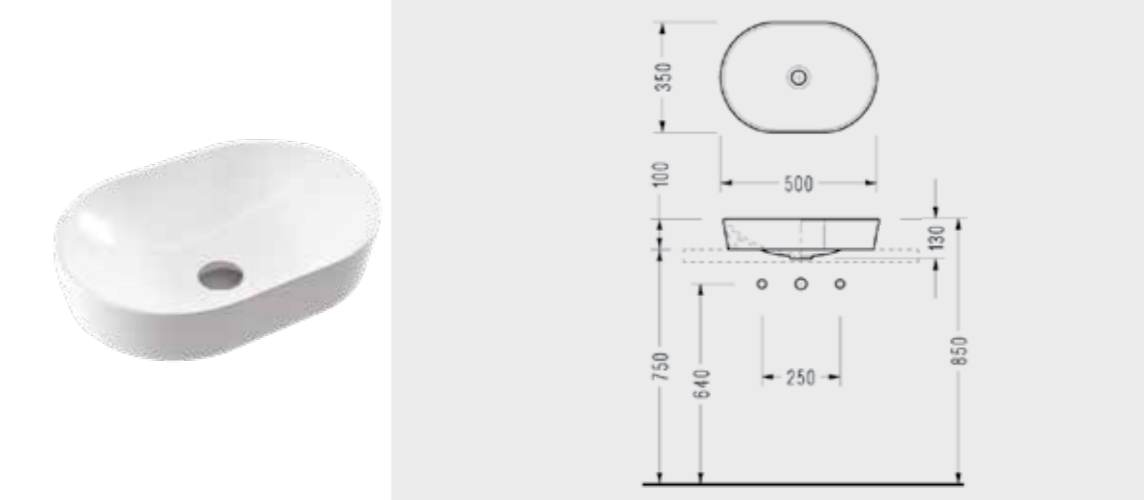
Product	Technical Drawings	Code
SEREL RITA WALL HUNG WC Pan (52 cm.)		RT10
		

Product	Technical Drawings	Code
SEREL RITA WALL HUNG BIDET (57 cm.)		RT19
		

Product	Technical Drawings	Code
SEREL ZETA SLIM SILENT CLOSE EASY-RELEASE SEAT AND COVER		223ZS00002
	 SEREL® EasyRelease® SEREL® SilentClose®	

Product	Technical Drawings	Code
SEREL ZETA SILENT CLOSE EASY-RELEASE SEAT AND COVER		223ZT00002
	 SEREL® EasyRelease® SEREL® SilentClose®	

Product	Technical Drawings	Code
SEREL SAPPHIRE DOUBLE BOWL WASHBASIN (120 cm.)		SP32
SEREL SAPPHIRE WASHBASIN WITH RIGHT SHELF (80 cm.)		SP41
SEREL SAPPHIRE WASHBASIN WITH RIGHT SHELF (80 cm.)		SP35

Product	Technical Drawings	Code
SEREL SAPPHIRE COUNTERTOP BUILT-IN SLIM WASHBASIN (60 cm.)		SP33
SEREL SAPPHIRE COUNTERTOP SLIM WASHBASIN (59,5 cm.)		SP46
SEREL SAPPHIRE COUNTERTOP SLIM WASHBASIN (50 cm.)		SP36

Product	Technical Drawings	Code
SEREL SAPPHIRE COUNTERTOP SLIM WASHBASIN WITH RIGHT SHELF (50 cm.)		SP40

Tap holes are optional.

Product	Technical Drawings	Code
SEREL SAPPHIRE WALL HUNG WC Pan (52 cm.) NEW		SP26

SEREL PURE WASH

Product	Technical Drawings	Code
SEREL SAPPHIRE WALL HUNG WC Pan (52 cm.)		SP10

25% WATER SAVING

Product	Technical Drawings	Code
SEREL BETA SLIM SILENT CLOSE EASY-RELEASE SEAT AND COVER		223BS00002

Product	Technical Drawings	Code
SEREL BETA SILENT CLOSE EASY-RELEASE SEAT AND COVER		223BT00002

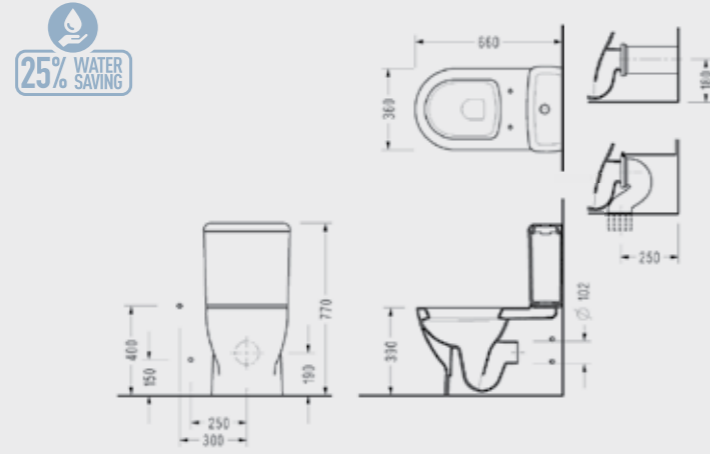
Product	Technical Drawings	Code
SEREL SPIL STANDARD ADJUSTABLE HINGED SEAT AND COVER		2276001002

Product	Technical Drawings	Code
---------	--------------------	------

SEREL SMART BTW CLOSE-COUPLED WC Pan (66 cm.) + SEREL SMART CISTERN



Compatible with 150400400007 Kibebe and 150400400079 Niobe Flush Mechanisms.



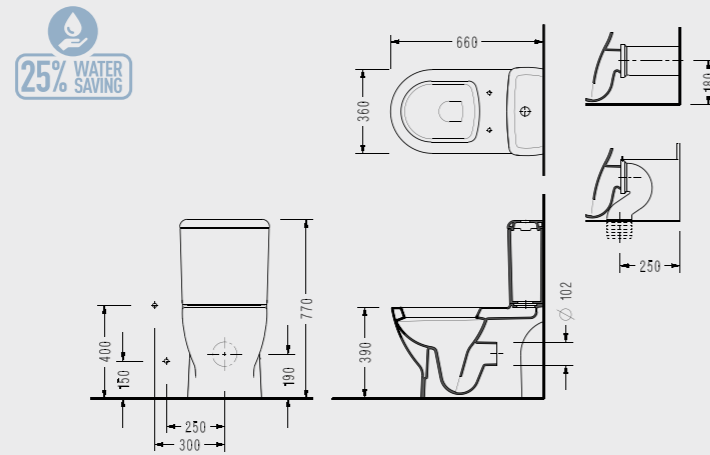
SM02
BTW Close-Coupled WC Pan
(66 cm.)

SM04
Cistern

SEREL SMART SEMI BTW CLOSE-COUPLED WC Pan (66 cm.) + SEREL SMART CISTERN



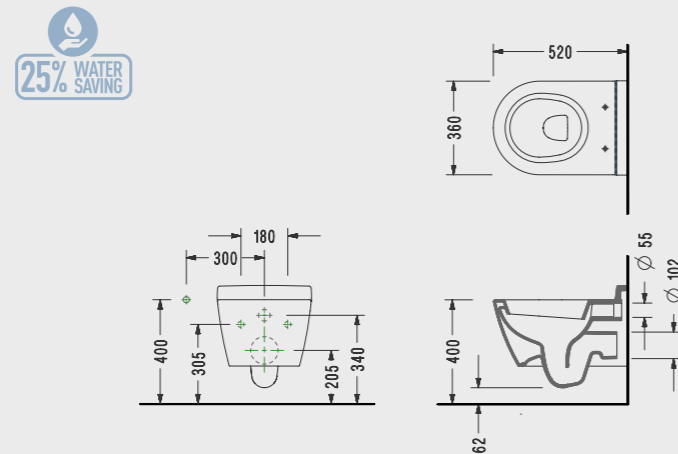
Compatible with 150400400007 Kibebe and 150400400079 Niobe Flush Mechanisms.



SM16
Semi BTW Close-Coupled WC Pan
(66 cm.)

SM04
Cistern

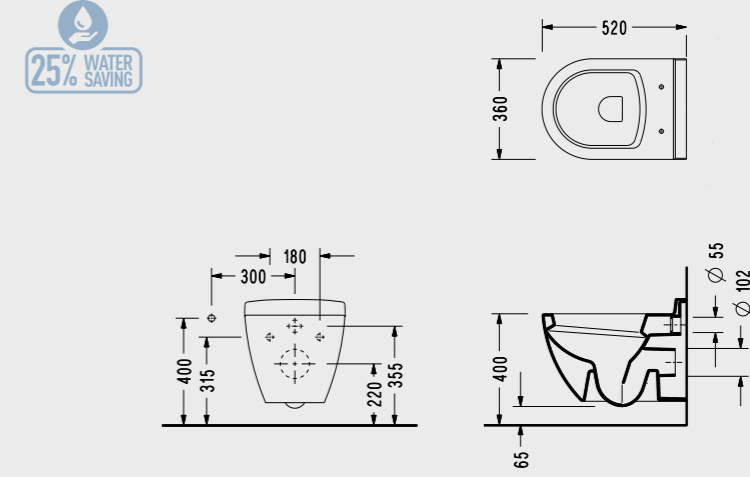
SEREL SMART WALL HUNG WC PAN (51,5 cm.)



SM25

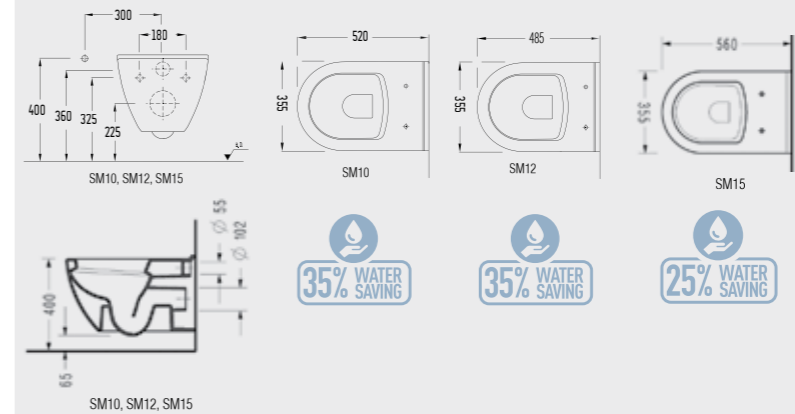
Product	Technical Drawings	Code
---------	--------------------	------

SEREL SMART WALL HUNG WC Pan (52 cm.)



SM23

SEREL SMART WALL HUNG WC PAN

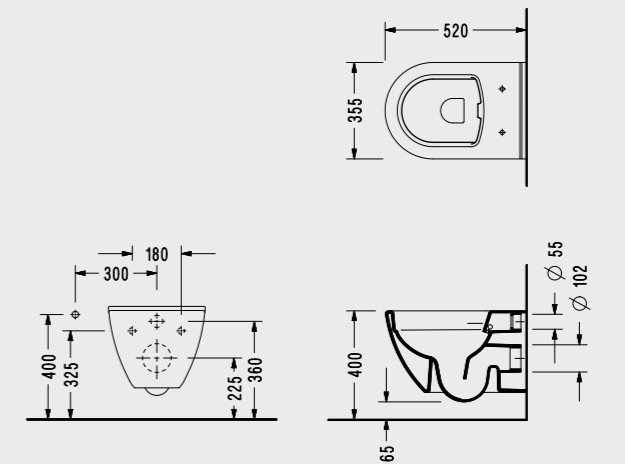


SM10
Wall Hung WC Pan
(52 cm.)



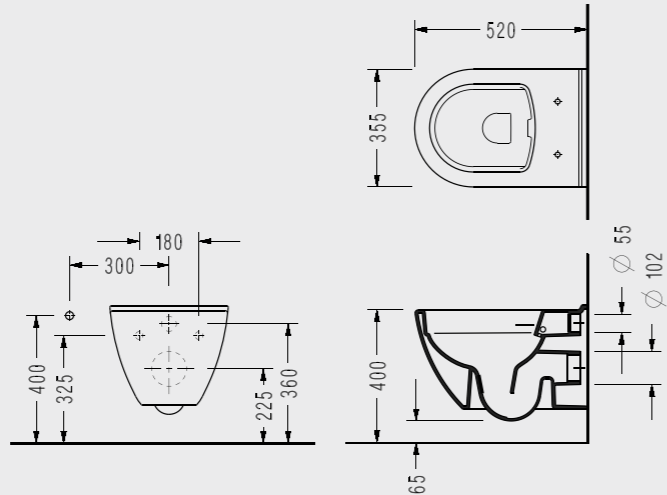


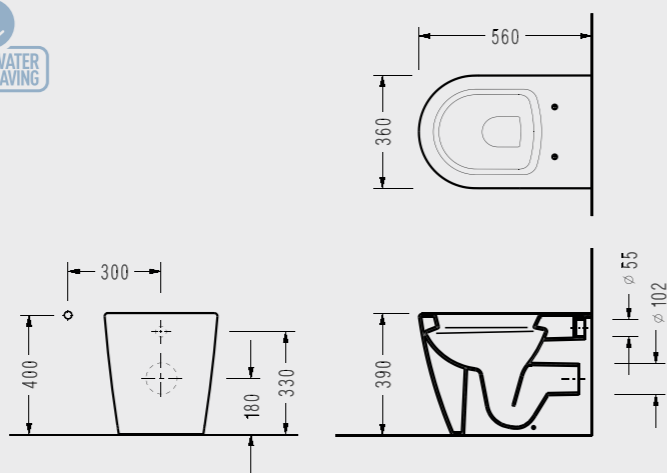

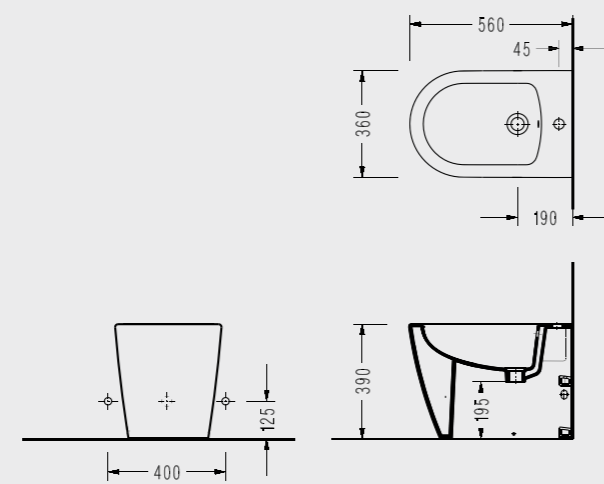
SM12
Wall Hung WC Pan
(48,5 cm.)


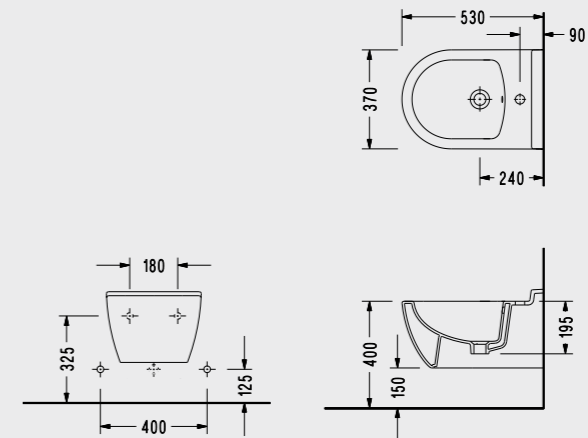

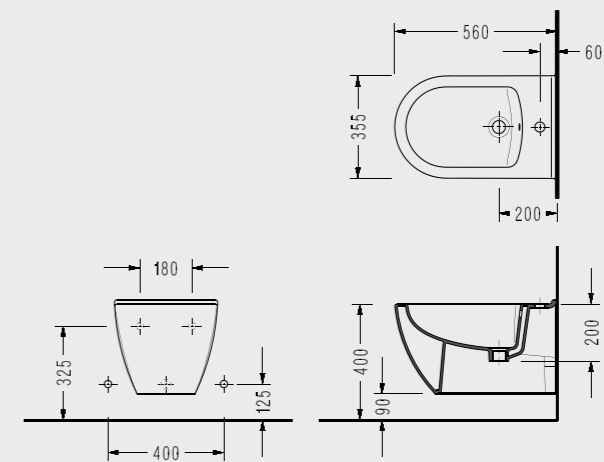


SM15
Wall Hung WC Pan
(56 cm.)

SEREL SMART WALL HUNG WC Pan (52 cm.)



SM46

Product	Technical Drawings	Code
SEREL SMART WALL HUNG WC Pan (52 cm.)	  	SM26
SEREL SMART SINGLE BTW WC Pan (56 cm.)	  	SM11
SEREL SMART BTW BIDET (56 cm.)	 	SM03

Product	Technical Drawings	Code
SEREL SMART WALL HUNG BIDET (53 cm.)	 	SM29
SEREL SMART WALL HUNG BIDET (56 cm.)	 	SM19
SEREL BETA SLIM SILENT CLOSE EASY-RELEASE SEAT AND COVER	  <p>SEREL® EasyRelease® SEREL® SilentClose®</p>	223BS00002

Product	Technical Drawings	Code
---------	--------------------	------

SEREL BETA SILENT CLOSE EASY-RELEASE SEAT AND COVER



SEREL® EasyRelease®
SEREL® SilentClose®

2238T00002

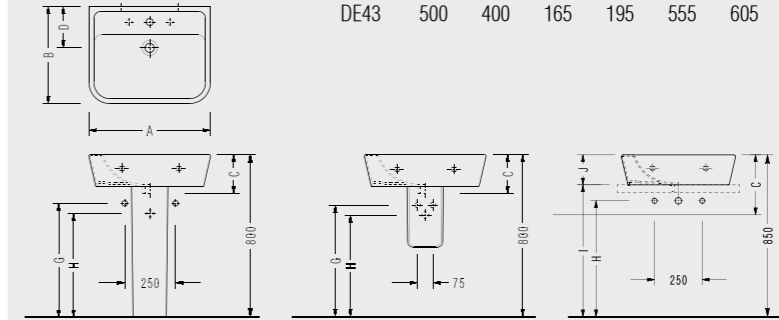
SEREL SPIL STANDARD ADJUSTABLE HINGED SEAT AND COVER



2276001002

Product	Technical Drawings	Code
---------	--------------------	------

SEREL DELTA SLIM WASHBASIN



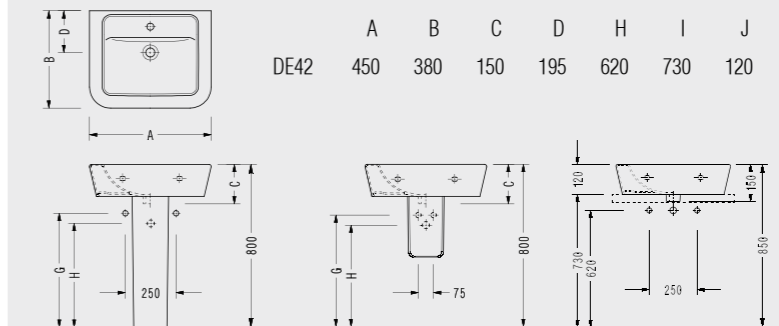
DE30
Slim Washbasin
(60 cm.)

DE43
Slim Washbasin
(50 cm.)

DE05
Full Pedestal

DE21
Semi Pedestal


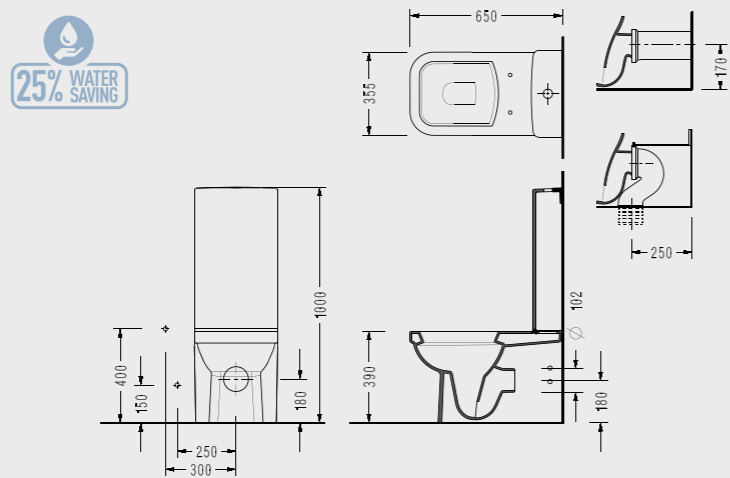

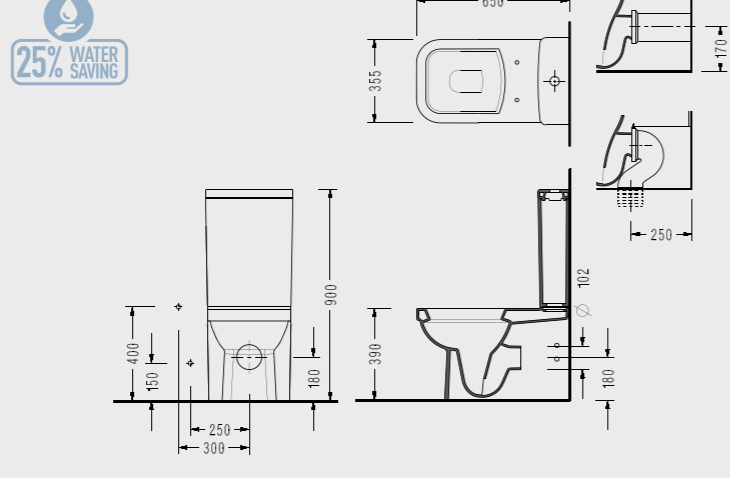

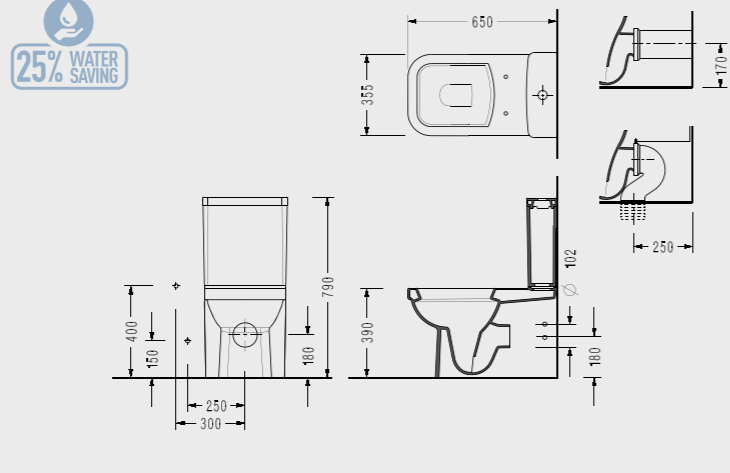
SEREL DELTA SLIM WASHBASIN (45 cm.)


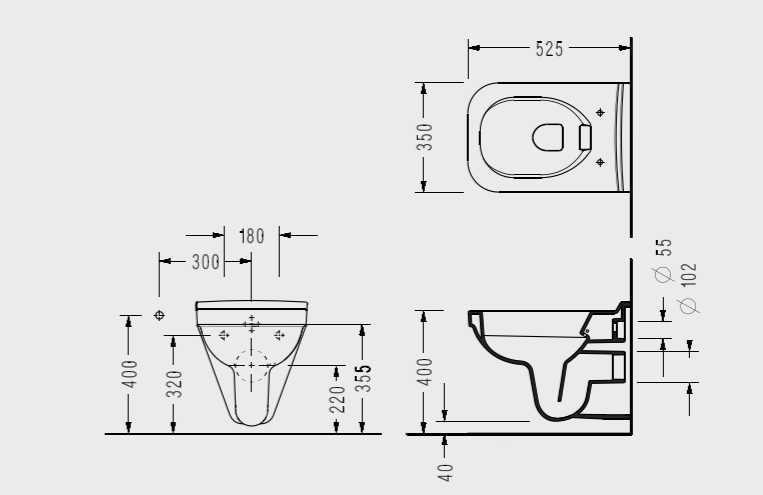






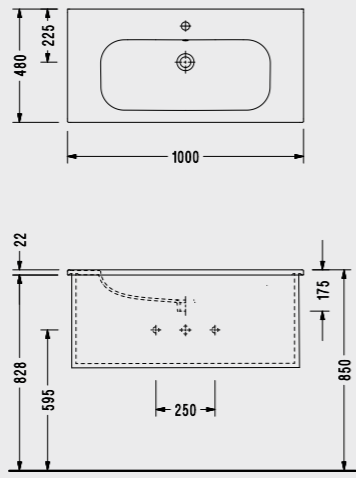
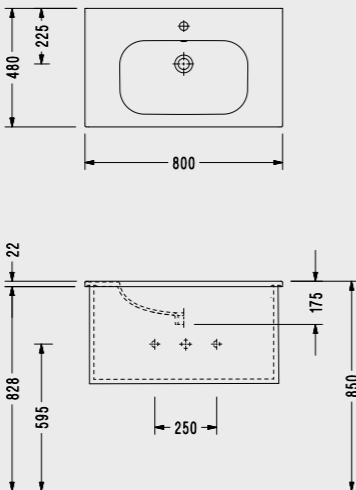
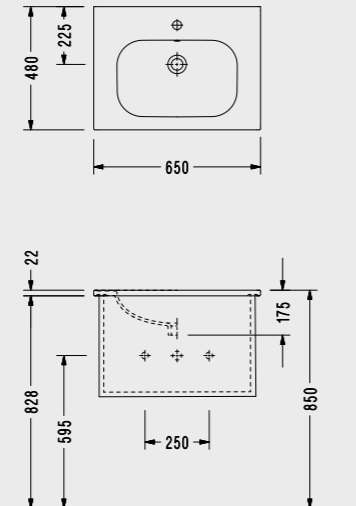
DE42
Washbasin
(45 cm.)


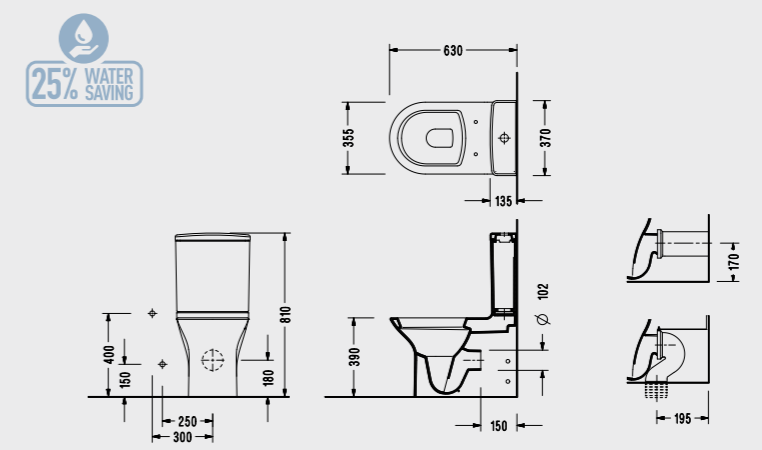

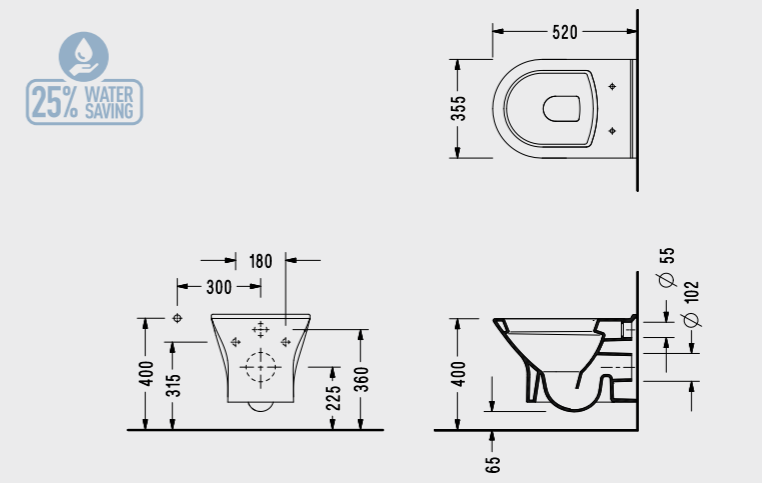

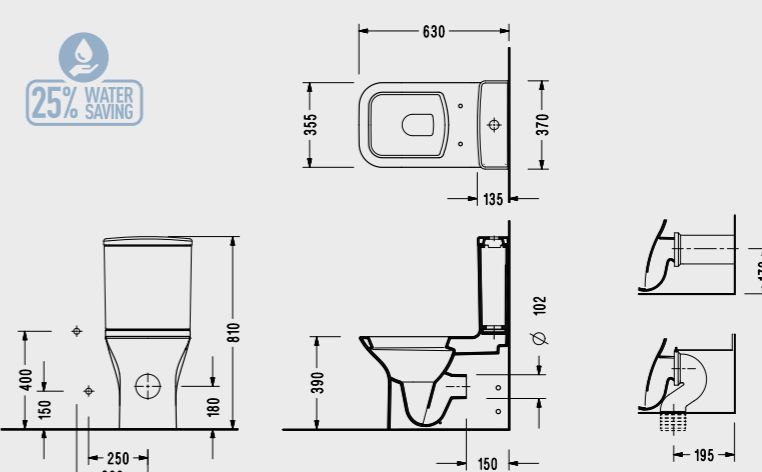
DE05
Full Pedestal

DE21
Semi Pedestal

Product	Technical Drawings	Code
SEREL STAR BTW CLOSE-COUPLED WC Pan (65 cm.) + SEREL AMADIS JACKET CISTERN		
 <p>Compatible with 150400400169 Flush Mechanism for Jacket Cistern.</p>	 <p>25% WATER SAVING</p>	<p>SA02 BTW Close-Coupled WC Pan (65 cm.)</p> <p>AD46 Jacket Cistern</p>
SEREL STAR BTW CLOSE-COUPLED WC Pan (65 cm.) + SEREL AMADIS TALL CISTERN		
 <p>Compatible with 150400400002 Magnesia Flush Mechanism.</p>	 <p>25% WATER SAVING</p>	<p>SA02 BTW Close-Coupled WC Pan (65 cm.)</p> <p>AD29 Tall Cistern</p>
SEREL STAR BTW CLOSE-COUPLED WC Pan (65 cm.) + SEREL DIAGONAL THIN CISTERN		
 <p>Compatible with 150400400007 Kibebe Flush Mechanism.</p>	 <p>25% WATER SAVING</p>	<p>SA02 BTW Close-Coupled WC Pan (65 cm.)</p> <p>DG48 Thin Cistern</p>

Product	Technical Drawings	Code
SEREL STAR WALL HUNG WC PAN (52,5 cm.)		
 <p>SEREL PURE WASH</p>		<p>SA26</p>
SEREL ZETA SLIM SILENT CLOSE EASY-RELEASE SEAT AND COVER		
	 <p>EASY-RELEASE FUNCTION</p> <p>SEREL® EasyRelease® SEREL® SilentClose®</p>	<p>223ZS00002</p>
SEREL ZETA SILENT CLOSE EASY-RELEASE SEAT AND COVER		
	 <p>EASY-RELEASE FUNCTION</p> <p>SEREL® EasyRelease® SEREL® SilentClose®</p>	<p>223ZT00002</p>


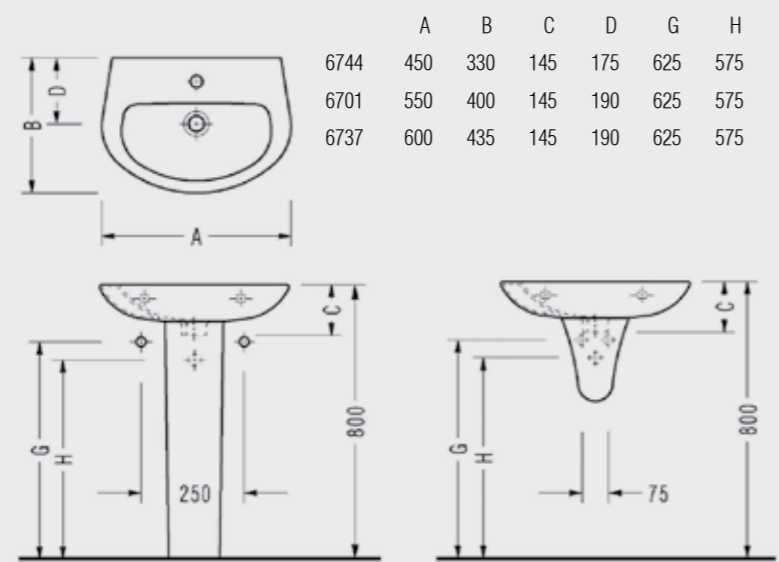
Product	Technical Drawings	Code
SEREL NITA RECTANGULAR WASHBASIN WITH SHELF (100 cm.)		
NEW		NT40
SEREL NITA RECTANGULAR WASHBASIN WITH SHELF (80 cm.)		
NEW		NT42
SEREL NITA RECTANGULAR WASHBASIN WITH SHELF (65 cm.)		
NEW		NT30


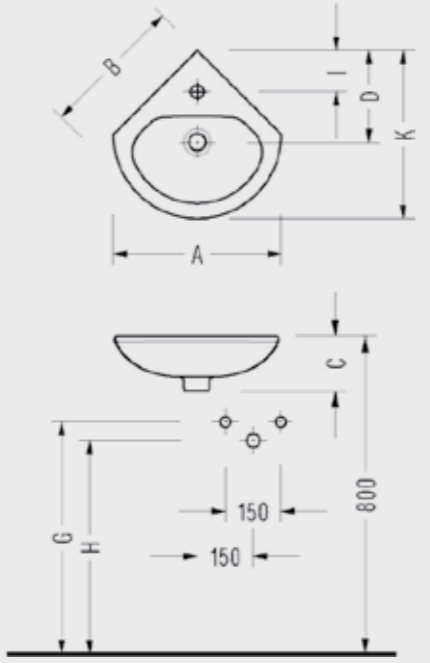
Product	Technical Drawings	Code
SEREL NITA BTW CLOSE-COUPLED WC Pan (63 cm.) + SEREL FRIENDLY CISTERN		
		NT02 BTW Close-Coupled WC Pan (63 cm.) 6748 Cistern
Compatible with 150400400007 Kibebe Flush Mechanism.		
SEREL NITA WALL HUNG WC Pan (52 cm.)		
		NT23
SEREL NITA BTW CLOSE-COUPLED WC Pan (63 cm.) + SEREL FRIENDLY CISTERN		
		NT12 BTW Close-Coupled WC Pan (63 cm.) 6748 Cistern
Compatible with 150400400007 Kibebe Flush Mechanism.		

Product	Technical Drawings	Code
SEREL NITA WALL HUNG WC Pan (52 cm.)		NT10
SEREL BETA SLIM SILENT CLOSE EASY-RELEASE SEAT AND COVER	<p>EASY-RELEASE FUNCTION</p> <p>SEREL® EasyRelease® SEREL® SilentClose®</p>	223BS00002
SEREL BETA SILENT CLOSE EASY-RELEASE SEAT AND COVER	<p>EASY-RELEASE FUNCTION</p> <p>SEREL® EasyRelease® SEREL® SilentClose®</p>	223BT00002


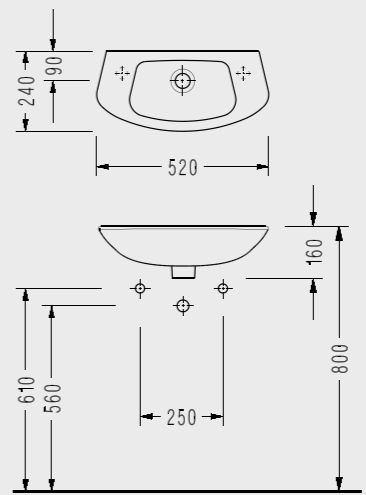

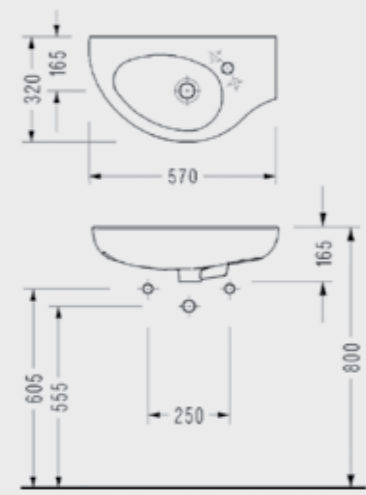

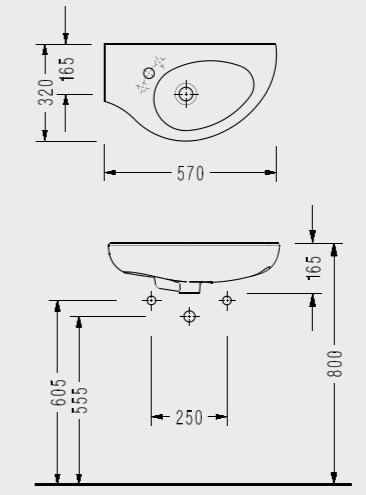
Product	Technical Drawings	Code
SEREL SPIL STANDARD ADJUSTABLE HINGED SEAT AND COVER		2276001002
SEREL ZETA SLIM SILENT CLOSE EASY-RELEASE SEAT AND COVER	<p>EASY-RELEASE FUNCTION</p> <p>SEREL® EasyRelease® SEREL® SilentClose®</p>	223ZS00002
SEREL ZETA SILENT CLOSE EASY-RELEASE SEAT AND COVER	<p>EASY-RELEASE FUNCTION</p> <p>SEREL® EasyRelease® SEREL® SilentClose®</p>	223ZT00002

SEREL FRIENDLY

Product	Technical Drawings	Code																												
SEREL FRIENDLY WASHBASIN																														
	 <table border="1"> <thead> <tr> <th></th> <th>A</th> <th>B</th> <th>C</th> <th>D</th> <th>G</th> <th>H</th> </tr> </thead> <tbody> <tr> <td>6744</td> <td>450</td> <td>330</td> <td>145</td> <td>175</td> <td>625</td> <td>575</td> </tr> <tr> <td>6701</td> <td>550</td> <td>400</td> <td>145</td> <td>190</td> <td>625</td> <td>575</td> </tr> <tr> <td>6737</td> <td>600</td> <td>435</td> <td>145</td> <td>190</td> <td>625</td> <td>575</td> </tr> </tbody> </table>		A	B	C	D	G	H	6744	450	330	145	175	625	575	6701	550	400	145	190	625	575	6737	600	435	145	190	625	575	<p>6737 Washbasin (60 cm.)</p> <p>6701 Washbasin (55 cm.)</p> <p>6744 Washbasin (45 cm.)</p> <p>6705 Full Pedestal</p> <p>6721 Semi Pedestal</p>
			A	B	C	D	G	H																						
6744	450	330	145	175	625	575																								
6701	550	400	145	190	625	575																								
6737	600	435	145	190	625	575																								

Product	Technical Drawings	Code																											
SEREL FRIENDLY CORNER WASHBASIN																													
	 <table border="1"> <thead> <tr> <th></th> <th>A</th> <th>B</th> <th>C</th> <th>D</th> <th>G</th> <th>H</th> <th>I</th> <th>K</th> </tr> </thead> <tbody> <tr> <td>6743</td> <td>550</td> <td>470</td> <td>165</td> <td>300</td> <td>605</td> <td>555</td> <td>145</td> <td>550</td> </tr> <tr> <td>6736</td> <td>450</td> <td>385</td> <td>150</td> <td>245</td> <td>620</td> <td>570</td> <td>110</td> <td>450</td> </tr> </tbody> </table>		A	B	C	D	G	H	I	K	6743	550	470	165	300	605	555	145	550	6736	450	385	150	245	620	570	110	450	<p>6743 Washbasin (55 cm.)</p> <p>6736 Washbasin (45 cm.)</p>
			A	B	C	D	G	H	I	K																			
6743	550	470	165	300	605	555	145	550																					
6736	450	385	150	245	620	570	110	450																					

SEREL FRIENDLY

Product	Technical Drawings	Code
SEREL FRIENDLY CLOAKROOM WASHBASIN (52 cm.)		
	 <p>Tap holes are optional.</p>	6740
		SEREL FRIENDLY OFF-SET RIGHT WASHBASIN (57 cm.)
		6741
		SEREL FRIENDLY OFF-SET LEFT WASHBASIN (57 cm.)
		6742

Product	Technical Drawings	Code
SEREL FRIENDLY SEMI-RECESSED WASHBASIN (51 cm.)		6734


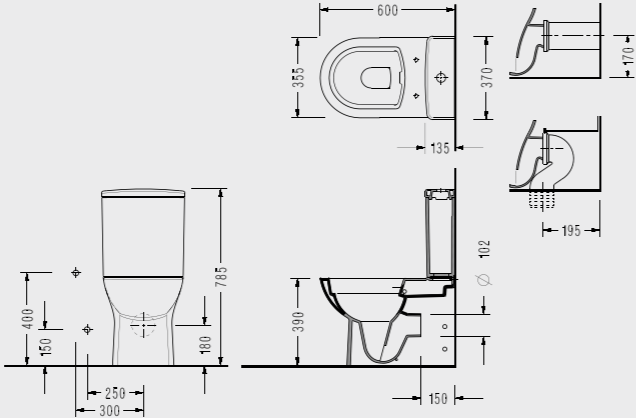
Product	Technical Drawings	Code
SEREL FRIENDLY BTW CLOSE-COUPLED WC PAN (61 cm.) + SEREL AMADIS JACKET CISTERN		<p>6712 BTW Close-Coupled WC Pan (61 cm.)</p> <p>AD46 Jacket Cistern</p>


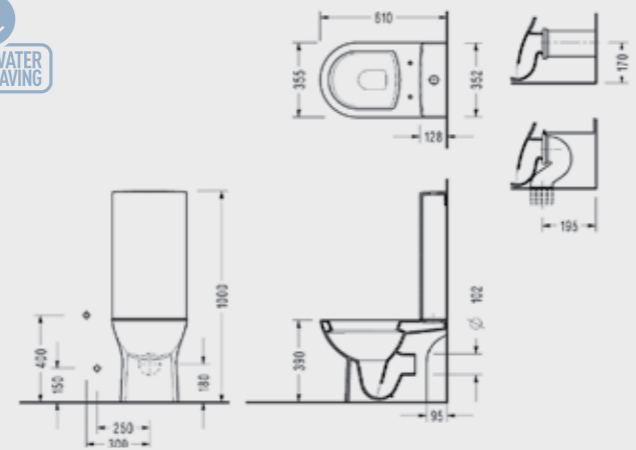
Product	Technical Drawings	Code
SEREL FRIENDLY BTW CLOSE-COUPLED WC PAN (61 cm.) + SEREL AMADIS TALL CISTERN		<p>6712 BTW Close-Coupled WC Pan (61 cm.)</p> <p>AD29 Tall Cistern</p>


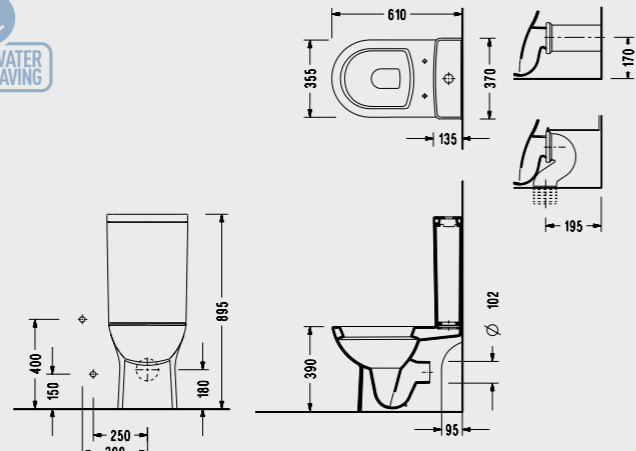
Product	Technical Drawings	Code
SEREL FRIENDLY BTW CLOSE-COUPLED WC PAN (61 cm.) + SEREL FRIENDLY CISTERN		<p>6712 BTW Close-Coupled WC Pan (61 cm.)</p> <p>6748 Cistern</p>


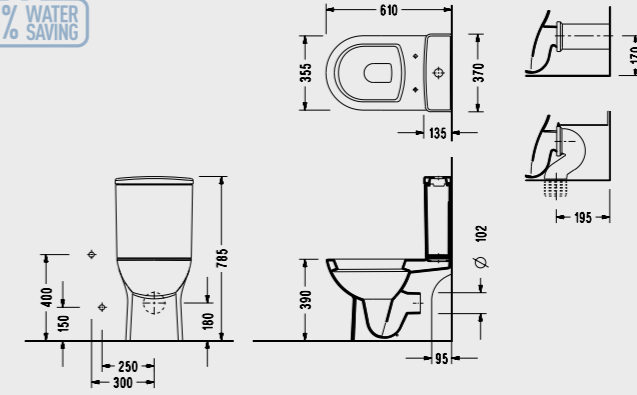
Product	Technical Drawings	Code
SEREL FRIENDLY BTW CLOSE-COUPLED WC PAN (60 cm.) + SEREL AMADIS JACKET CISTERN		<p>6726 BTW Close-Coupled WC Pan (60 cm.)</p> <p>AD46 Jacket Cistern</p>


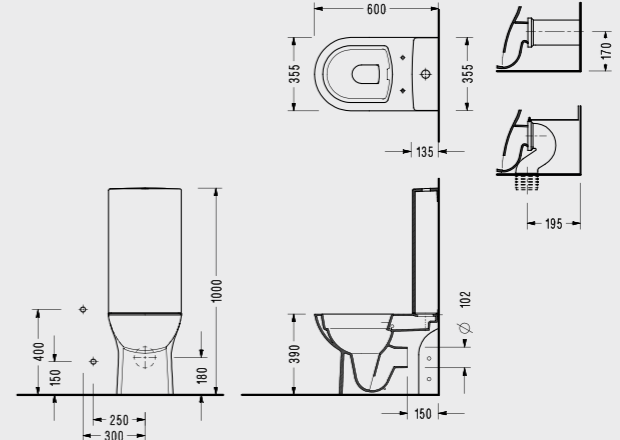
Product	Technical Drawings	Code
SEREL FRIENDLY BTW CLOSE-COUPLED WC PAN (60 cm.) + SEREL AMADIS TALL CISTERN		<p>6726 BTW Close-Coupled WC Pan (60 cm.)</p> <p>AD29 Tall Cistern</p>


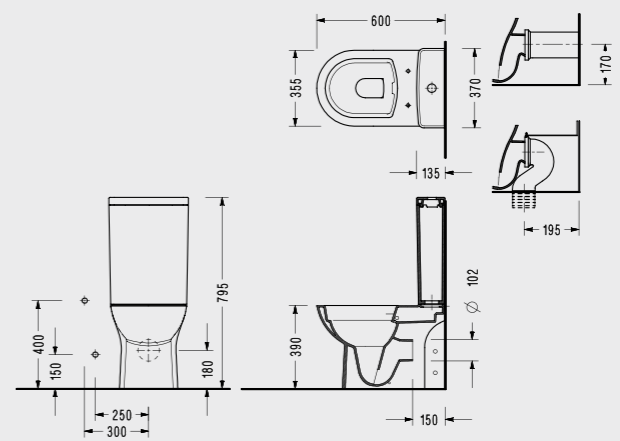
Product	Technical Drawings	Code
SEREL FRIENDLY BTW CLOSE-COUPLED WC PAN (60 cm.) + SEREL FRIENDLY CISTERN		
 <p>Compatible with 150400400007 Kibebe Flush Mechanism.</p>		<p>6726 BTW Close-Coupled WC Pan (60 cm.)</p> <p>6748 Cistern</p>


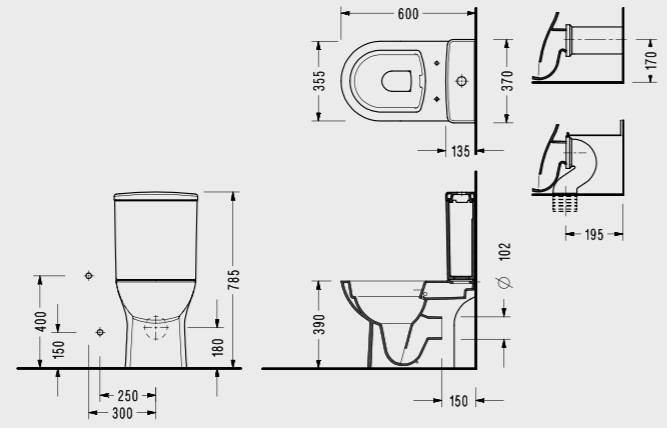
Product	Technical Drawings	Code
SEREL FRIENDLY SEMI BTW CLOSE-COUPLED WC PAN (61 cm.) + SEREL AMADIS JACKET CISTERN		
 <p>Compatible with 150400400169 Flush Mechanism for Jacket Cistern.</p>		<p>6716 Semi BTW Close-Coupled WC Pan (61 cm.)</p> <p>AD46 Jacket Cistern</p>


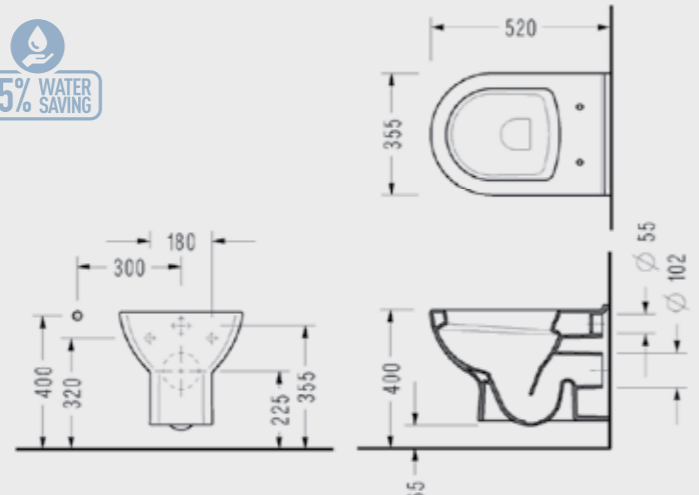
Product	Technical Drawings	Code
SEREL FRIENDLY SEMI BTW CLOSE-COUPLED WC PAN (61 cm.) + SEREL AMADIS TALL CISTERN		
 <p>Compatible with 150400400002 Magnesia Flush Mechanism.</p>		<p>6716 Semi BTW Close-Coupled WC Pan (61 cm.)</p> <p>AD29 Tall Cistern</p>



Product	Technical Drawings	Code
SEREL FRIENDLY SEMI BTW CLOSE-COUPLED WC PAN (61 cm.) + SEREL FRIENDLY CISTERN		
 <p>Compatible with 150400400007 Kibebe Flush Mechanism.</p>		<p>6716 Semi BTW Close-Coupled WC Pan (61 cm.)</p> <p>6748 Cistern</p>



Product	Technical Drawings	Code
SEREL FRIENDLY SEMI BTW CLOSE-COUPLED WC PAN (60 cm.) + SEREL AMADIS JACKET CISTERN		
 <p>Compatible with 150400400169 Flush Mechanism for Jacket Cistern.</p>		<p>6746 Semi BTW Close-Coupled WC Pan (60 cm.)</p> <p>AD46 Jacket Cistern</p>

Product	Technical Drawings	Code
SEREL FRIENDLY SEMI BTW CLOSE-COUPLED WC PAN (60 cm.) + SEREL AMADIS TALL CISTERN		
 <p>Compatible with 150400400002 Magnesia Flush Mechanism.</p>		<p>6746 Semi BTW Close-Coupled WC Pan (60 cm.)</p> <p>AD29 Tall Cistern</p>


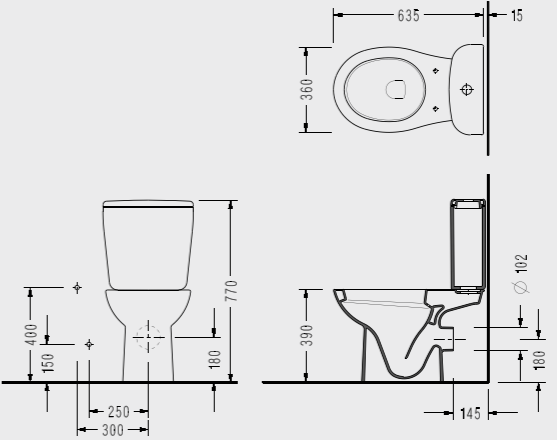
Product	Technical Drawings	Code
SEREL FRIENDLY SEMI BTW CLOSE-COUPLED WC PAN (60 cm.) + SEREL FRIENDLY CISTERN		
 <p>Compatible with 150400400007 Kibebe Flush Mechanism.</p>		<p>6746 Semi BTW Close-Coupled WC Pan (60 cm.)</p> <p>6748 Cistern</p>


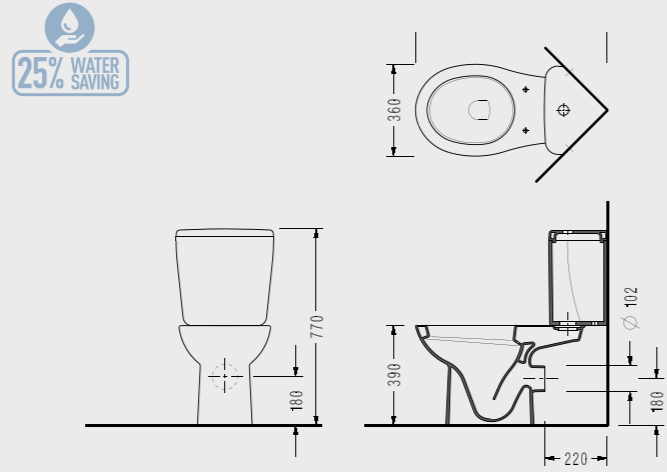
Product	Technical Drawings	Code
SEREL FRIENDLY WALL HUNG WC Pan (52 cm.)		
	 <p>35% WATER SAVING</p>	6710


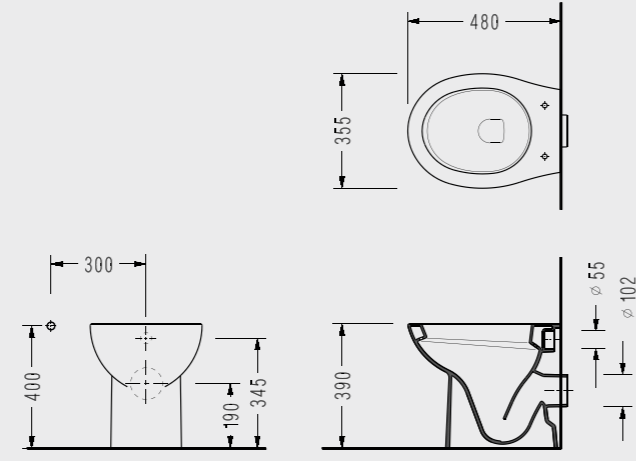
Product	Technical Drawings	Code
SEREL BETA SLIM SILENT CLOSE EASY-RELEASE SEAT AND COVER		
	 <p>EASY-RELEASE FUNCTION</p> <p>SEREL® EasyRelease® SEREL® SilentClose®</p>	223BS00002



Product	Technical Drawings	Code
SEREL BETA SILENT CLOSE EASY-RELEASE SEAT AND COVER		
	 <p>EASY-RELEASE FUNCTION</p> <p>SEREL® EasyRelease® SEREL® SilentClose®</p>	223BT00002

Product	Technical Drawings	Code
SEREL SPIL STANDARD ADJUSTABLE HINGED SEAT AND COVER		
		2276001002


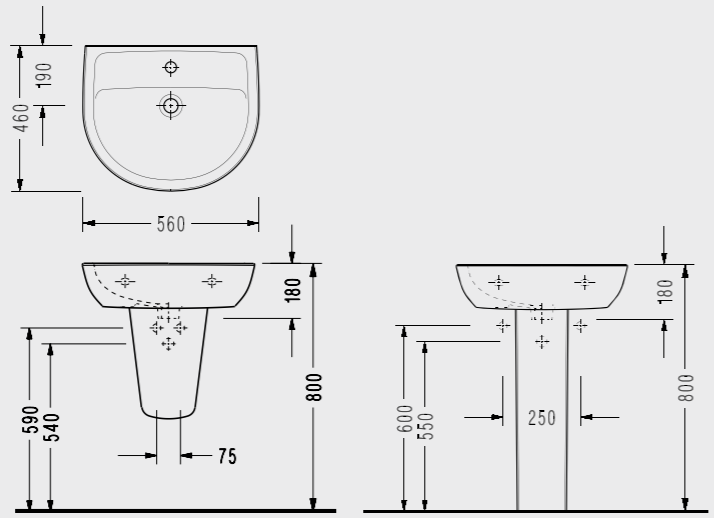
Product	Technical Drawings	Code
SEREL FRIENDLY P-TRAP CLOSE-COUPLED WC PAN (63,5 cm.)		
 <p>Compatible with 150400400007 Kibebe and 1504004000079 Niobe Flush Mechanisms.</p>		<p>6706 P-Trap Close-Coupled WC Pan (63,5 cm.)</p> <p>6704 Cistern</p>


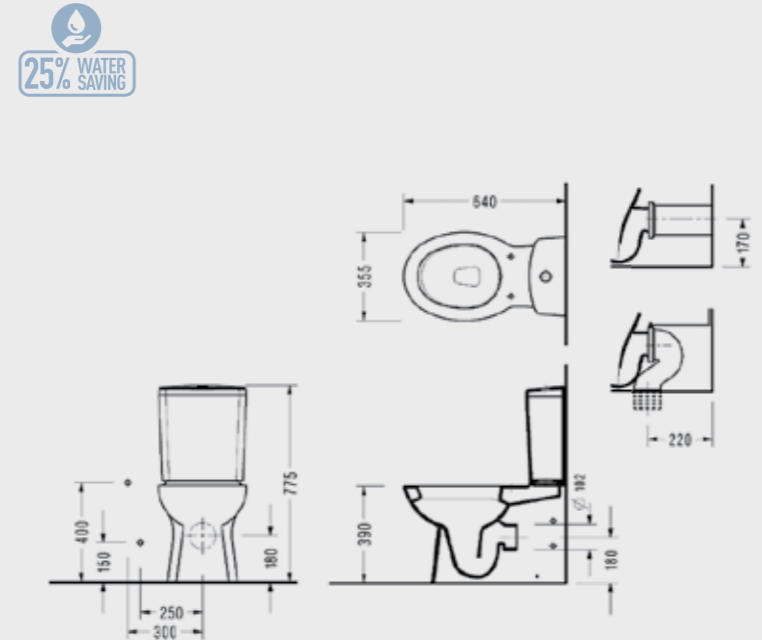
Product	Technical Drawings	Code
SEREL FRIENDLY P-TRAP CLOSE-COUPLED WC PAN (63,5 cm.)		
 <p>Compatible with 150400400007 Kibele and 150400400079 Niobe Flush Mechanisms.</p>		<p>6706 P-Trap Close-Coupled WC Pan (63,5 cm.)</p> <p>6724 Corner Cistern</p>

SEREL FRIENDLY SINGLE BTW WC PAN (48 cm.)		
		<p>6711</p>

SEREL ALPHA SILENT CLOSE EASY-RELEASE SEAT AND COVER		
	 <p>SEREL® EasyRelease® SEREL® SilentClose®</p>	<p>223AF00002</p>


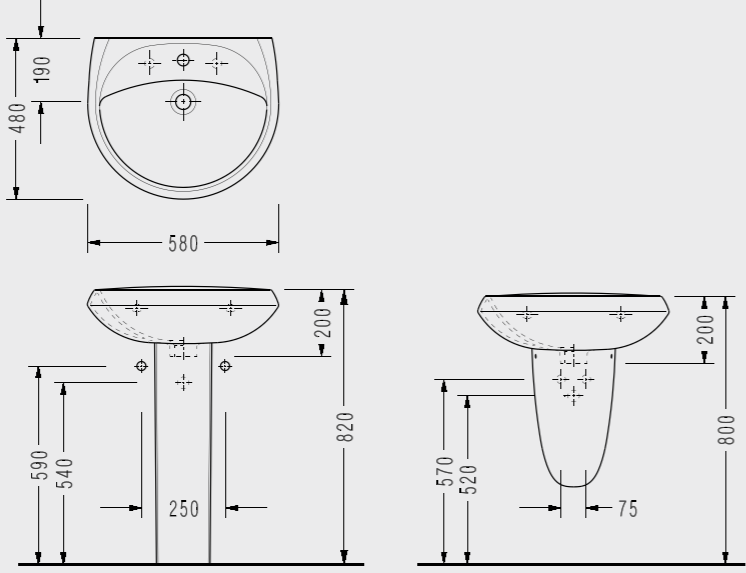
Product	Technical Drawings	Code
SEREL GEDIZ STANDARD ADJUSTABLE HINGED SEAT AND COVER		
		<p>2276100002</p>


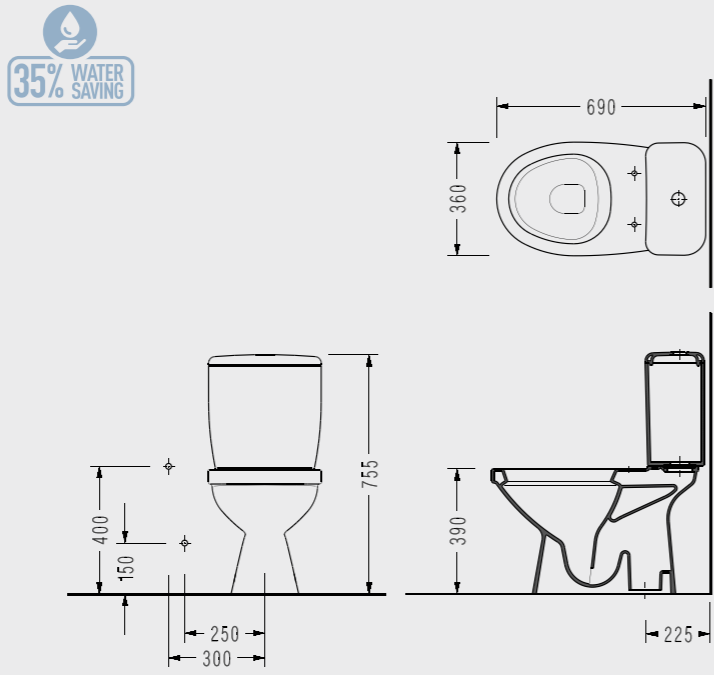
Product	Technical Drawings	Code
SEREL ETNA WASHBASIN (56 cm.)		
		<p>EN01 Washbasin (56 cm.)</p> <p>F005 Full Pedestal</p> <p>2822 Semi Pedestal</p>

Product	Technical Drawings	Code
SEREL ETNA BTW CLOSE-COUPLED WC PAN (64 cm.) + SEREL ETNA CISTERN		
		<p>EN02 BTW Close-Coupled WC Pan (64 cm.)</p> <p>EN04 Cistern</p>


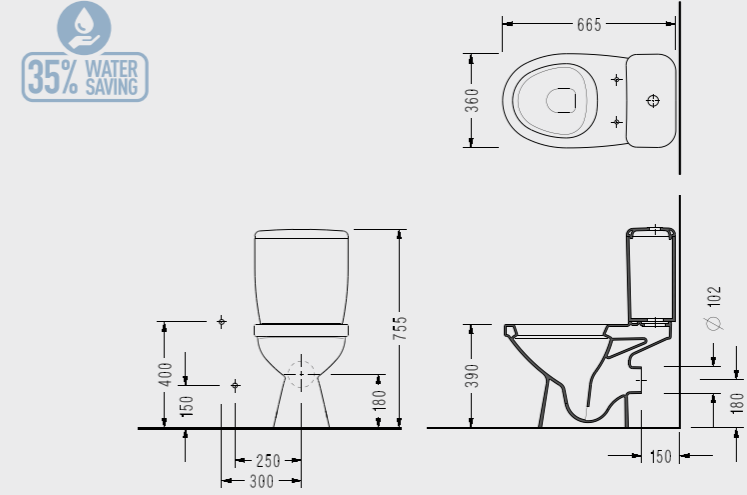

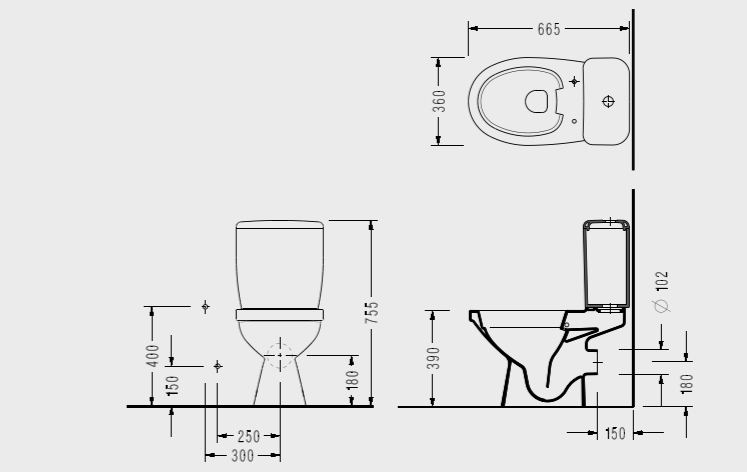


Compatible with 150400400007 Kibele and 150400400079 Niobe Flush Mechanisms.

Product	Technical Drawings	Code
SEREL ALPHA SILENT CLOSE EASY-RELEASE SEAT AND COVER		
		<p>223AF00002</p>
SEREL GEDİZ STANDARD ADJUSTABLE HINGED SEAT AND COVER		
		<p>2276100002</p>

Product	Technical Drawings	Code
SEREL LALE WASHBASIN (58 cm.)		
		<p>7601 Washbasin (58 cm.)</p> <p>F005 Full Pedestal</p> <p>F021 Semi Pedestal</p>

Product	Technical Drawings	Code
SEREL DAMLA S-TRAP CLOSE-COUPLED WC PAN (69 cm.) + SEREL LILA CISTERN		
		<p>DM02 S-Trap Close-Coupled WC Pan (69 cm.)</p> <p>9448 Cistern</p>

Compatible with 150400400007 Kibele and 150400400079 Niobe Flush Mechanisms.

Product	Technical Drawings	Code
SEREL DAMLA P-TRAP CLOSE-COUPLED WC PAN (66,5 cm.) + SEREL LILA CISTERN		
		<p>DM06 P-Trap Close-Coupled WC Pan (66.5 cm.)</p> <p>9448 Cistern</p>
SEREL DAMLA P-TRAP CLOSE-COUPLED WC PAN (66,5 cm.) + SEREL LILA CISTERN		
		<p>DM26 P-Trap Close-Coupled WC Pan (66.5 cm.)</p> <p>9448 Cistern</p>
SEREL ALPHA SILENT CLOSE EASY-RELEASE SEAT AND COVER		
		<p>223AF00002</p>

Compatible with 150400400007 Kibele and 150400400079 Niobe Flush Mechanisms.

SEREL® EasyRelease®
SEREL® SilentClose®

Product	Technical Drawings	Code
SEREL GEDİZ STANDARD ADJUSTABLE HINGED SEAT AND COVER		2276100002



Product	Technical Drawings	Code
SEREL ZAMBAK WASHBASIN (60 cm.)		<p>6301 Washbasin (60 cm.)</p> <p>F005 Common Full Pedestal</p> <p>F021 Common Semi Pedestal</p>


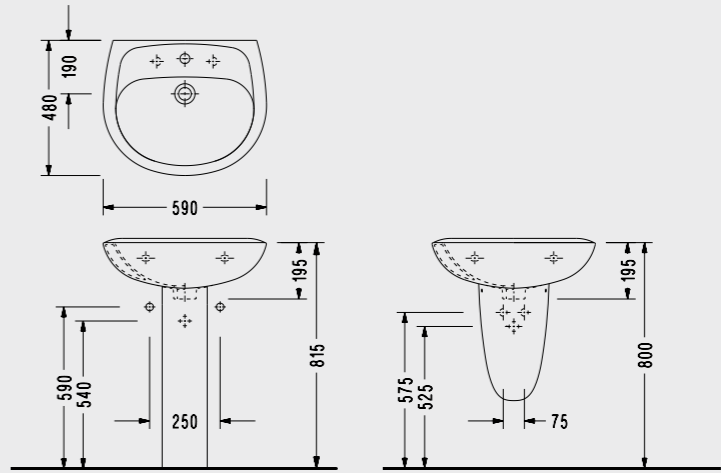

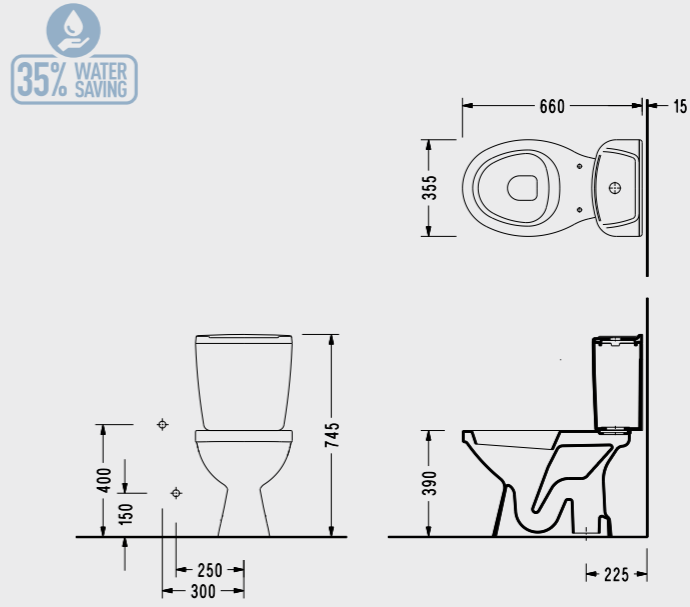


Product	Technical Drawings	Code
SEREL ZAMBAK P-TRAP CLOSE-COUPLED WC PAN (68 cm.) + SEREL MINE CISTERN		<p>6316 P-Trap Close-Coupled WC Pan (68 cm.)</p> <p>MY04 Cistern</p>



Compatible with 150400400007 Kibele and 150400400079 Niobe Flush Mechanisms.

Product	Technical Drawings	Code
SEREL ALPHA SILENT CLOSE EASY-RELEASE SEAT AND COVER	 <p>EASY-RELEASE FUNCTION</p> <p>SEREL® EasyRelease® SEREL® SilentClose®</p>	223AF00002
SEREL GEDIZ STANDARD ADJUSTABLE HINGED SEAT AND COVER		2276100002


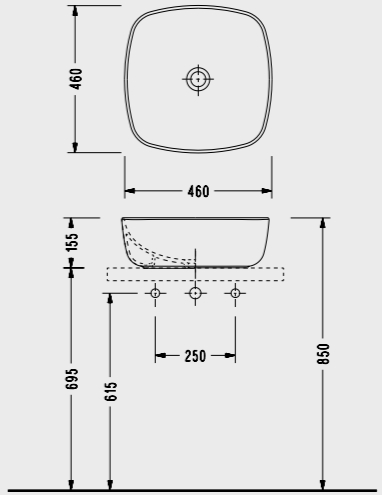

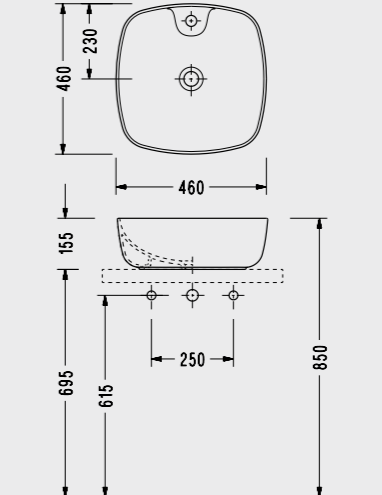

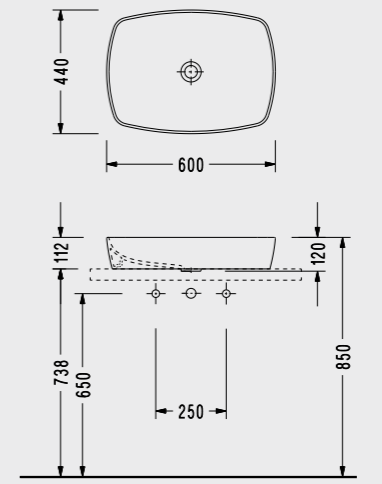
Product	Technical Drawings	Code
SEREL MIO WASHBASIN (59 cm.)	 	<p>MY01 Washbasin (59 cm.)</p> <p>F005 Full Pedestal</p> <p>F021 Semi Pedestal</p>
SEREL MIO S-TRAP CLOSE-COUPLED WC Pan (66 cm.) + SEREL MIO CISTERN	  <p>35% WATER SAVING</p>	<p>MN02 S-Trap Close-Coupled WC Pan (66 cm.)</p> <p>MY04 Cistern</p>

Compatible with 150400400007 Kibele and 150400400079 Niobe Flush Mechanisms.

The images and technical drawings in the catalogue are for illustration purposes only.

Eleks Diş Ticaret A.Ş. reserves the right to change the appearance, technical details of their products and price.

Product	Technical Drawings	Code
SEREL ALPHA SILENT CLOSE EASY-RELEASE SEAT AND COVER		
	 <p>SEREL® EasyRelease® SEREL® SilentClose®</p>	223AF00002
SEREL GEDIZ STANDARD ADJUSTABLE HINGED SEAT AND COVER		
		2276100002

Product	Technical Drawings	Code
SEREL MINIMAL SLIM POT WASHBASIN (46 cm.)		
		3049
SEREL MINIMAL SLIM POT WASHBASIN (46 cm.)		
		3016
SEREL MINIMAL COUNTERTOP SLIM WASHBASIN (60 cm.)		
		1633

SEREL MINIMAL WASHBASINS

Product	Technical Drawings	Code
SEREL MINIMAL COUNTERTOP SLIM WASHBASIN (60 cm.)		1634
SEREL MINIMAL CYLINDRICAL WASHBASIN (Ø 46 cm.)		2025
SEREL MINIMAL CYLINDRICAL WASHBASIN (Ø 45 cm.)		2054

Eleks Dış Ticaret A.Ş. reserves the right to change the appearance, technical details of their products and price.

SEREL MINIMAL WASHBASINS

Product	Technical Drawings	Code
SEREL MINIMAL POT WASHBASIN (Ø 45 cm.)		2012
SEREL CHAMONIX POT WASHBASIN (55 cm.)		CH33
SEREL CHAMONIX POT WASHBASIN (55 cm.)		CH34

The images and technical drawings in the catalogue are for illustration purposes only.

SEREL MINIMAL WASHBASINS

Product	Technical Drawings	Code
SEREL CHAMONIX WASHBASIN WITH TRIANGULAR STAND (55 cm.)		CH01
SEREL MINIMAL SQUARE POT WASHBASIN (38,5 cm.)		2013
SEREL MINIMAL SQUARE POT WASHBASIN (43 cm.)		2014

Eleks Diş Ticaret A.Ş. reserves the right to change the appearance, technical details of their products and price.

SEREL MINIMAL WASHBASINS

Product	Technical Drawings	Code
SEREL MINIMAL SQUARE WASHBASIN (50,5 cm.)		2840
SEREL MINIMAL RECTANGULAR WASHBASIN (45 cm.)		2049
SEREL MINIMAL RECTANGULAR WASHBASIN (40 cm.)		2041

The images and technical drawings in the catalogue are for illustration purposes only.

SEREL MINIMAL WASHBASINS

Product	Technical Drawings	Code
SEREL MINIMAL RECTANGULAR WASHBASIN (60 cm.)		2046
SEREL MINIMAL RECTANGULAR WASHBASIN (80 cm.)		2048
SEREL MINIMAL RECTANGULAR WASHBASIN (60 cm.)		2047

SEREL MINIMAL WASHBASINS

Product	Technical Drawings	Code
SEREL MINIMAL SQUARE WASHBASIN (50 cm.)		2042
SEREL MINIMAL RECTANGULAR WASHBASIN (70 cm.)		2027
SEREL MINIMAL SEMI-RECESSED WASHBASIN (50 cm.)		2043


SEREL MINIMAL WASHBASINS


Product	Technical Drawings	Code
SEREL MINIMAL SEMI-RECESSED WASHBASIN (60 cm.)		2044
SEREL MINIMAL COUNTERTOP WASHBASIN (60 cm.)		2045


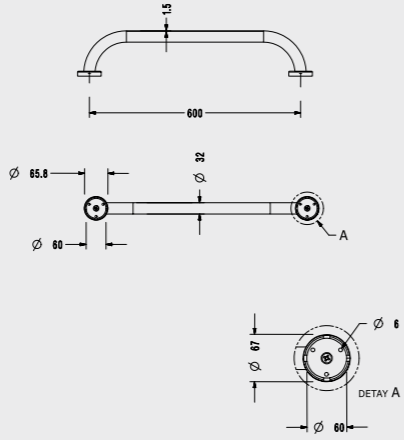
SEREL DISABLED SERIES


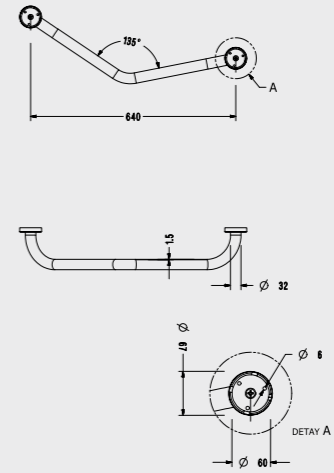
Product	Technical Drawings	Code
SEREL DISABLED WASHBASIN (67,5 cm.)		3044
SEREL DISABLED WALL HUNG WC PAN (70 cm.)		3045
SEREL DISABLED SEMI BTW CLOSE-COUPLED WC Pan (65 cm.) + SEREL FRIENDLY CISTERN		<p>6745 Semi BTW Close-Coupled WC Pan (65 cm.)</p> <p>6748 Cistern</p>


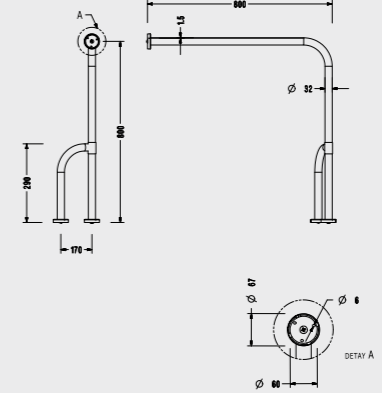
Compatible with 150400400007 Kibebe Flush Mechanism.

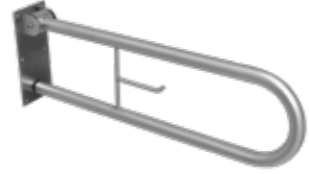
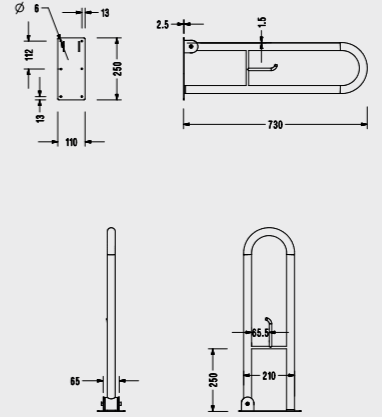
Product	Technical Drawings	Code
SEREL BETA SILENT CLOSE EASY-RELEASE SEAT AND COVER	 <p>EASY-RELEASE FUNCTION</p> <p>SEREL® EasyRelease® SEREL® SilentClose®</p>	2238T00002

Product	Technical Drawings	Code
SEREL SPIL STANDARD ADJUSTABLE HINGED SEAT AND COVER		2276001002

Product	Technical Drawings	Code
GRAB RAIL FOR WASHBASIN	 <p>NEW</p> 	<p>150400300542 (60 cm.)</p> <p>150400300546 (40 cm.)</p>

Product	Technical Drawings	Code
135° ANGLED GRAB RAIL FOR BATHTUB	 <p>NEW</p> 	150400300543

Product	Technical Drawings	Code
90° ANGLED GRAB RAIL FOR WC PAN	 <p>NEW</p> 	150400300544


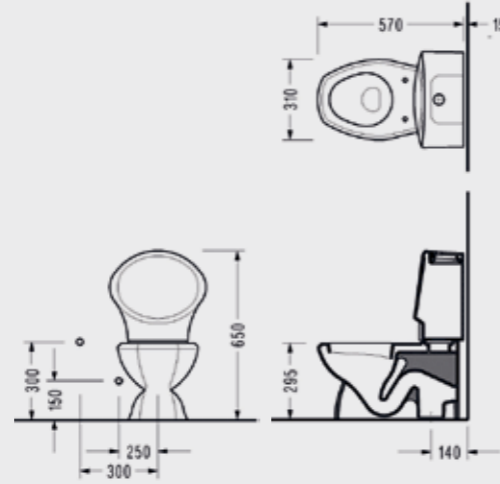
Product	Technical Drawings	Code
HINGED GRAB RAIL FOR WC PAN WITH TOILET PAPER HOLDER	 	150400300545

Product	Technical Drawings	Code
HINGED SHOWER SEAT (COMPOSITE) NEW		150400300549
HINGED SHOWER SEAT (PLASTIC) NEW		150400300550
DISABLED MIRROR NEW		150400800306


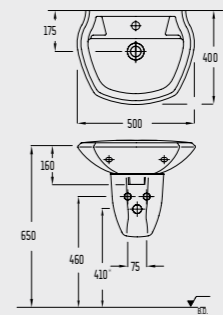

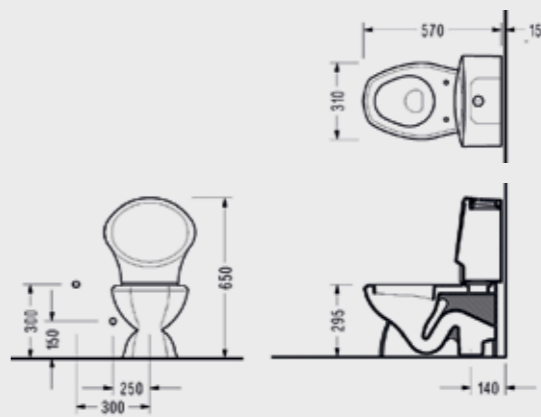
Product	Technical Drawings	Code
SEREL PALEIMON WASHBASIN (52 cm.) NEW		PL37
SEREL PALEIMON BTW CLOSE - COUPLED WC PAN (53 cm.) + SEREL PALEIMON CISTERN NEW		PL02 Washbasin (52 cm.) PL04 Cistern
SEREL CHILDREN WASHBASIN (50 cm.) NEW		8701 Washbasin (50 cm.) 8721 Semi Pedestal


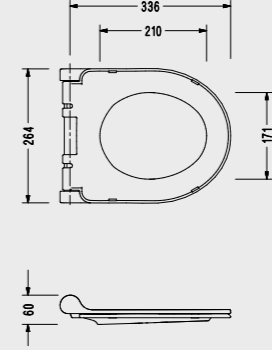
Eleks Dış Ticaret A.Ş. reserves the right to change the appearance, technical details of their products and price.

The images and technical drawings in the catalogue are for illustration purposes only.

Product	Technical Drawings	Code
SEREL CHILDREN S-TRAP CLOSE-COUPLED WC PAN (57 cm.) + SEREL CHILDREN CISTERN		
 <p>Compatible with 15040040079 Niobe Flush Mechanism.</p>		<p>8702 S-Trap Close-Coupled WC Pan (57 cm.)</p> <p>8704 Cistern</p>

SEREL CHILDREN MUSHROOM DECOR		
		<p>8701 MNTR Washbasin (50 cm.)</p> <p>8721 MNTR Semi Pedestal</p> <p>8702 MNTR S-Trap Close-Coupled WC Pan (57 cm.)</p> <p>8704 MNTR Cistern</p>
		

Product	Technical Drawings	Code
SEREL CHILDREN DOGGY DECOR		
		<p>8701 DOGR Washbasin (50 cm.)</p> <p>8721 DOGR Semi Pedestal</p> <p>8702 DOGR S-Trap Close-Coupled WC Pan (57 cm.)</p> <p>8704 DOGR Cistern</p>
		

SEREL PALEIMON SEAT AND COVER		
		150400120031

SEREL CHILDREN STANDARD ADJUSTABLE HINGED SEAT AND COVER		
		2278700002

SEREL WASHBASINS WITH SHELVES

Product	Technical Drawings	Code
RECTANGULAR WASHBASIN WITH SHELF (120 cm.)		3039

RECTANGULAR WASHBASIN WITH SHELF (100 cm.)		3037
--	--	------

SEREL WASHBASINS WITH SHELVES

Product	Technical Drawings	Code
RECTANGULAR WASHBASIN WITH SHELF (80 cm.)		3035

RECTANGULAR WASHBASIN WITH SHELF (60 cm.)		3001
---	--	------

Eleks Diş Ticaret A.Ş. reserves the right to change the appearance, technical details of their products and price.

The images and technical drawings in the catalogue are for illustration purposes only.

SEREL WASHBASINS WITH SHELVES

Product	Technical Drawings	Code
WASHBASIN WITH SHELF (85 cm.)		1844
WASHBASIN WITH SHELF (75 cm.)		1843
WASHBASIN WITH SHELF (65 cm.)		1842

SEREL VANITY WASHBASINS

Product	Technical Drawings	Code
UNDERCOUNTER RECTANGULAR WASHBASIN (47,7 cm.) NEW		0511
UNDERCOUNTER RECTANGULAR WASHBASIN (50,5 cm.)		0561
UNDERCOUNTER OVAL WASHBASIN (49,5 cm.)		0571

Eleks Dış Ticaret A.Ş. reserves the right to change the appearance, technical details of their products and price.


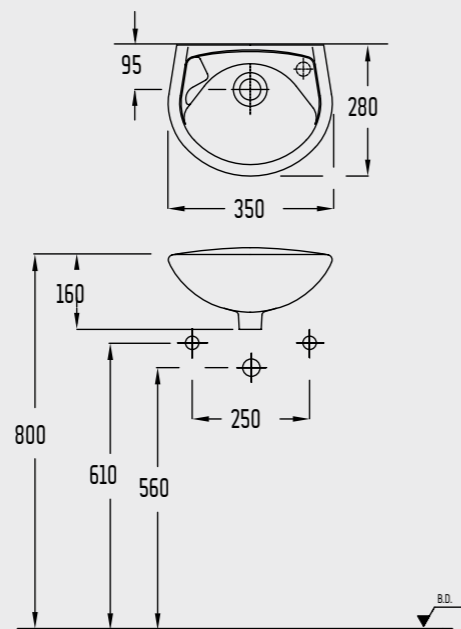

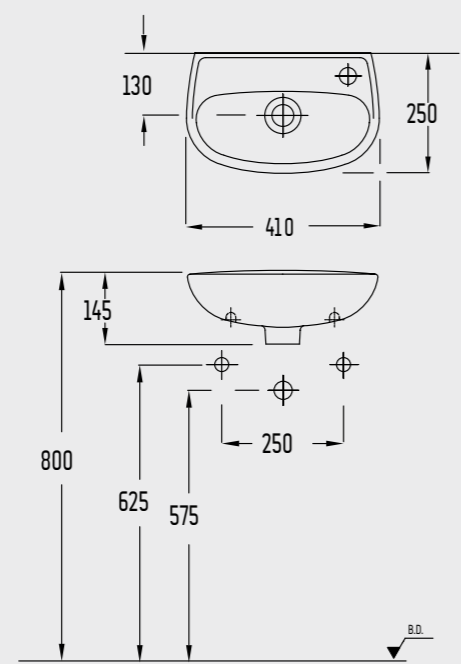
The images and technical drawings in the catalogue are for illustration purposes only.


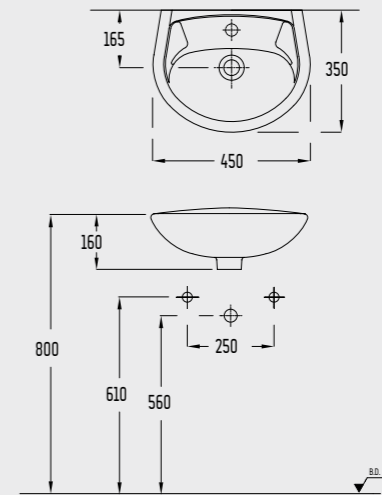

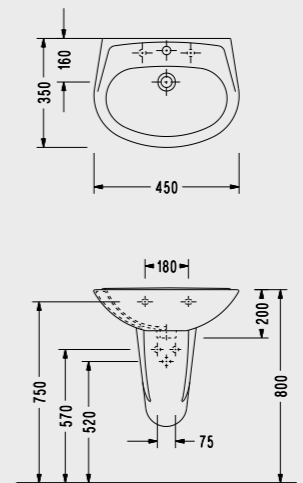

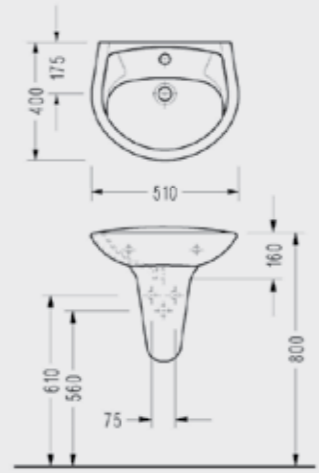
Product	Technical Drawings	Code
UNDERCOUNTER ELLIPSE WASHBASIN (43 cm.)		0551
UNDERCOUNTER ELLIPSE WASHBASIN (52 cm.)		0501
UNDERCOUNTER CIRCULAR WASHBASIN (40,5 cm.)		0591

Eleks Diş Ticaret A.Ş. reserves the right to change the appearance, technical details of their products and price.

Product	Technical Drawings	Code
SEREL MINIMAL COUNTERTOP WASHBASINS (60 cm.)		3042
SEREL MINIMAL COUNTERTOP WASHBASINS (42 cm.)		3014
COUNTERTOP ELLIPSE WASHBASIN (58 cm.)		1841

The images and technical drawings in the catalogue are for illustration purposes only.

Product	Technical Drawings	Code
WASHBASIN (35 cm.)		
		2641
WASHBASIN (41 cm.)		
		1301

Product	Technical Drawings	Code
WASHBASIN (45 cm.)		
		2741
WASHBASIN (45 cm.)		
		5440 Washbasin (45 cm.) 5423 Small Semi Pedestal
WASHBASIN (51 cm.)		
		2841 Washbasin (51 cm.) 2822 Semi Pedestal

SEREL SQUATTING PANS

Product	Technical Drawings	Code
REAR FLUSH INLET SQUATTING PAN (50x60 cm.)		0917 AR


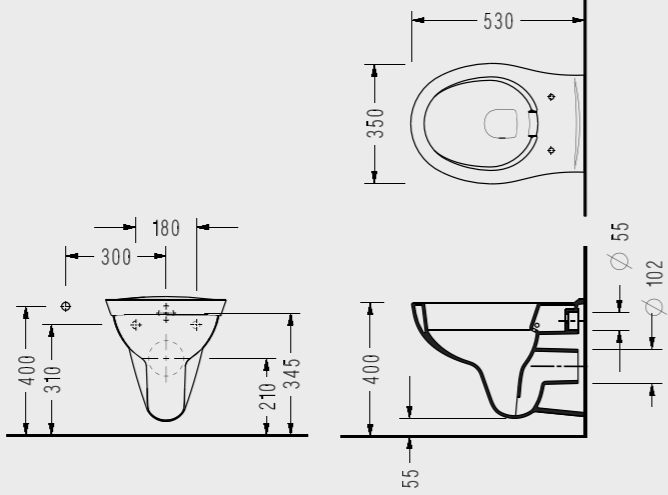
SQUATTING PAN (50x60 cm.)		<p>0417 AR Rear Flush Inlet Squatting Pan (50x60 cm.)</p> <p>0417 US Top Flush Inlet Squatting Pan (50x60 cm.)</p>
---------------------------	--	--


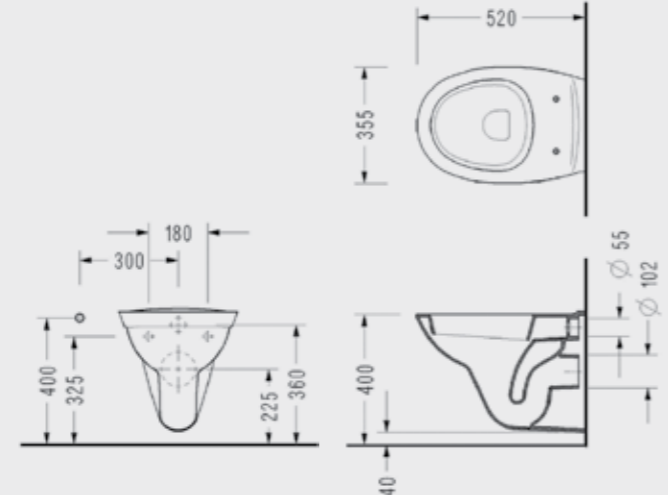
SEREL WC PANS

Product	Technical Drawings	Code
S-TRAP SINGLE WC PAN (53 cm.)		0602


P-TRAP SINGLE WC PAN (46 cm.)		0902
-------------------------------	--	------

WALL HUNG WC PAN (48 cm.)		0412
---------------------------	--	------

Product	Technical Drawings	Code
WALL HUNG WC PAN (53 cm.)		0426
		

Product	Technical Drawings	Code
WALL HUNG WC Pan (52 cm.)		0422
		


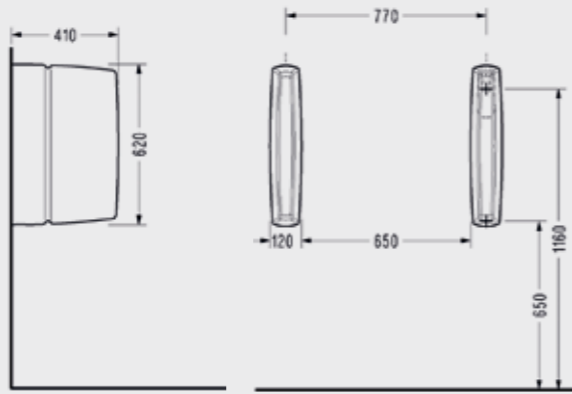

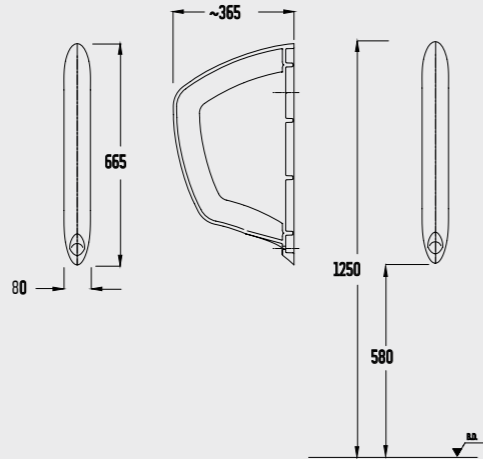

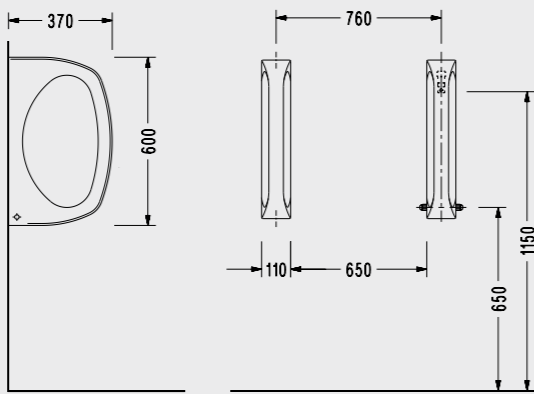
Eleks Diş Ticaret A.Ş. reserves the right to change the appearance, technical details of their products and price.

Product	Technical Drawings	Code
SEREL ALPHA SILENT CLOSE EASY-RELEASE SEAT AND COVER		223AF00002
		


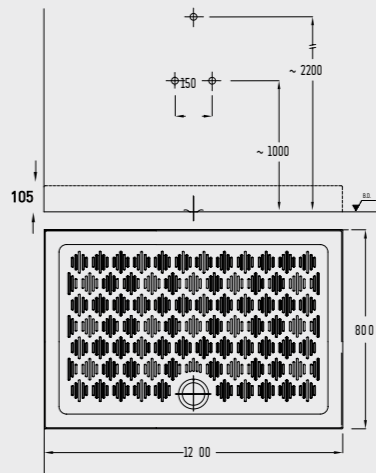

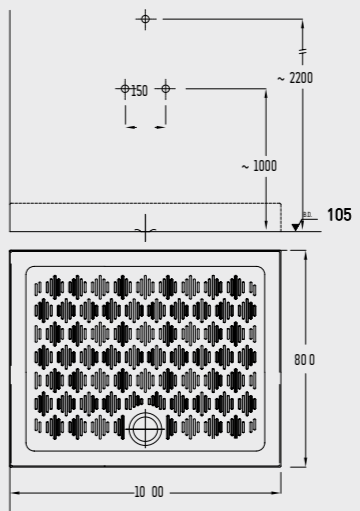
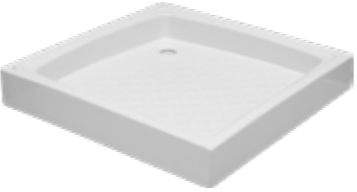
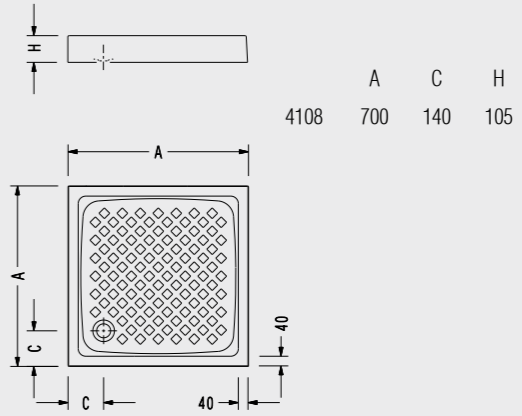
Product	Technical Drawings	Code
SEREL GEDİZ STANDARD ADJUSTABLE HINGED SEAT AND COVER		2276100002
		

The images and technical drawings in the catalogue are for illustration purposes only.

SEREL URINALS & WALL SEPARATORS

Product	Technical Drawings	Code
SEREL DIAGONAL URINAL WALL SEPARATORS		
		D620
URINAL WALL SEPARATORS		
		0140
URINAL WALL SEPARATORS		
		0120

SEREL SHOWER TRAYS

Product	Technical Drawings	Code
RECTANGULAR SHOWER TRAY (80x120 cm.)		
		4508
RECTANGULAR SHOWER TRAY (80x100 cm.)		
		4518
SQUARE SHOWER TRAY (70x70 cm.)		
		4108

Product	Technical Drawings	Code						
SQUARE SHOWER TRAY (80x80 cm.)	<table border="1"> <tr> <td>A</td> <td>C</td> <td>H</td> </tr> <tr> <td>800</td> <td>140</td> <td>105</td> </tr> </table>	A	C	H	800	140	105	4008
A	C	H						
800	140	105						
SQUARE SHOWER TRAY (90x90 cm.)		4308						
CORNER SHOWER TRAY (90x90 cm.)		4408						


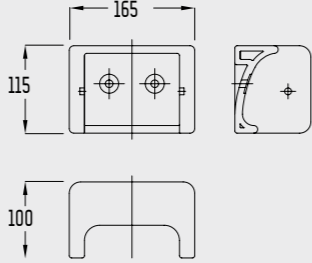

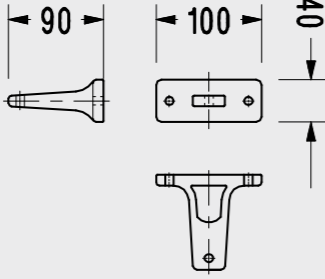

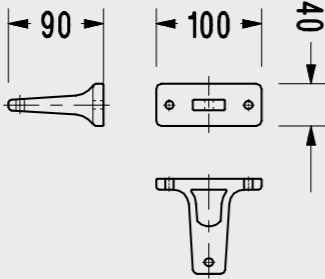
Product	Technical Drawings	Code
CORNER SHOWER TRAY (80x80 cm.)		4208
CORNER SHOWER TRAY (80x80 cm.)		4228

Product	Technical Drawings	Code
SHELF (62,5 cm.)		ST14
SHELF (51 cm.)		E414
SHELF (51 cm.)		FU14


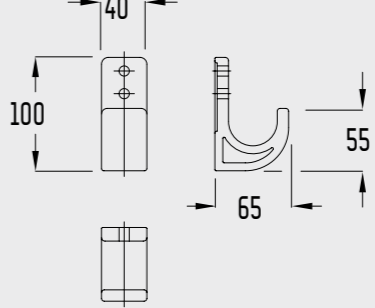
Eleks Diş Ticaret A.Ş. reserves the right to change the appearance, technical details of their products and price.

Product	Technical Drawings	Code
LARGE SOAP HOLDER (30,5 cm.)		FU10
SMALL SOAP HOLDER (15 cm.)		FU13
BREAK HOLDER		FU20 Breaker Holder FU21 Breaker




The images and technical drawings in the catalogue are for illustration purposes only.

Product	Technical Drawings	Code
PAPER HOLDER		
		FU15
BAR TOWEL HANGER		
		FU31
RING TOWEL HANGER		
		FU30

Eleks Diş Ticaret A.Ş. reserves the right to change the appearance, technical details of their products and price.

Product	Technical Drawings	Code
HOOK HANGER		
		FU22

The images and technical drawings in the catalogue are for illustration purposes only.

Product	Technical Drawings	Code
MAGNESIA DUAL FLUSH MECHANISM (CABLED)		
		150400400002
KIBELE DUAL FLUSH MECHANISM		
		150400400007
NIOBE SINGLE FLUSH MECHANISM		
		150400400079

		ZETA SLIM	ZETA	BETA SLIM	BETA	SPIL	ALPHA	GEDZ	ORION	MARINE	SIGMA SLIM	CHILDREN	PALEIMON	SARDES
NAME	CODE	223ZS00002	223ZT00002	223BS00002	223BT00002	2276001002	223AF00002	2276100002	223OR00002	223MR00002	223SS00002	2208700002	150400120031	2206300002
4LIFE	FL10										<			
POSEIDON	PS10			<										
PURITY	PR10			<										
WAVE	3011									<				
AMPHORA	AN10								<					
MARINE	MR10									<				
DIAGONAL	DG02	<	<											
	DG10	<	<											
	DG11	<	<											
RITA	RT26	<	<											
	RT10	<	<											
SAPPHIRE	SP26			<	<	<								
	SP10			<	<	<								
SMART	SM02			<	<	<								
	SM16			<	<	<								
	SM25			<	<	<								
	SM23			<	<	<								
	SM10			<	<	<								
	SM12			<	<	<								
	SM15			<	<	<								
SM46			<	<	<									
STAR	SA02	<	<											
	SA26	<	<											
NITA	NT02			<	<	<								
	NT23			<	<	<								
	NT12	<	<											
	NT10	<	<											
FRIENDLY	6712			<	<	<								
	6726			<	<	<								
	6716			<	<	<								
	6746			<	<	<								
	6710			<	<	<								
	6706							<	<					
ETNA	EN02						<	<						
DAMLA	DM02							<	<					
	DM06							<	<					
ZAMBAK	6316						<	<						
MIO	MN02						<	<						
DISABLED	3045				<	<								
	6745				<	<								
PALEIMON	PL02											<		
CHILDREN	8702										<			
SINGLE PIECE	0602							<	<					
	0902							<	<					
	0412							<	<					
	0426							<	<					
ORKIDE	0422							<	<					
	6809 AD													<

Eleks Diş Ticaret A.Ş. reserves the right to change the appearance, technical details of their products and price.



Eleks Dış Ticaret A.Ş. reserves the right to change the appearance, technical details of their products and price.

SANTEH PLATINUM

✉ info@santehplatinum.ru

☎ +7 (495) 913 66 12

🌐 www.santehplatinum.ru