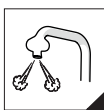
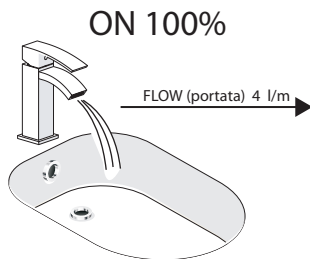
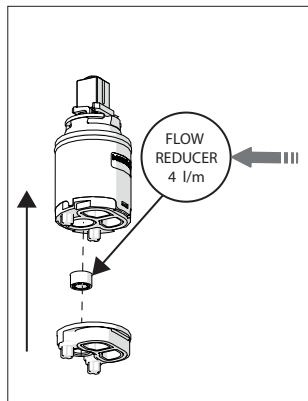


RY00119/1

RY00119/2

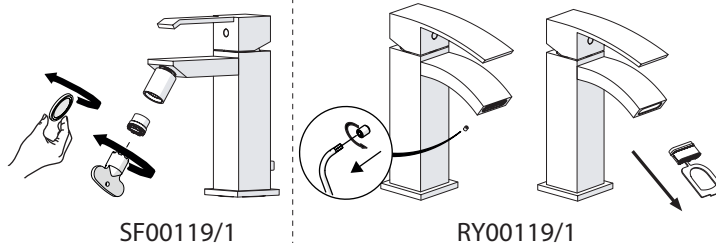
FLOW REDUCER
(riduttore portata)
4 l/m

7



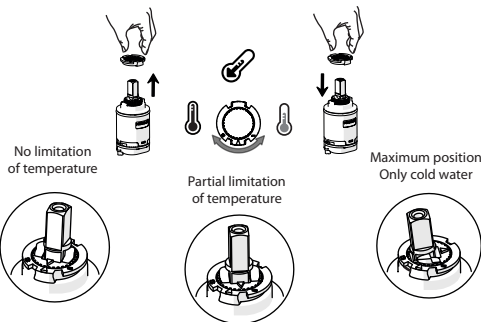
VARIE POSSIBILITA' PER SMONTARE L'AERATORE
SEVERAL OPTIONS FOR REMOVING AERATOR

9



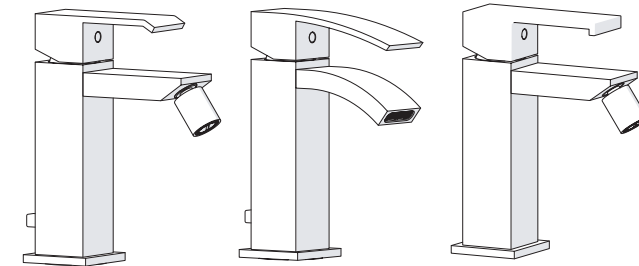
SF00119/1

RY00119/1



NOBILIS

The Best Technology for Water



SF00119/1

RY00119/1

MI102119/1

SF00119/2

RY00119/2

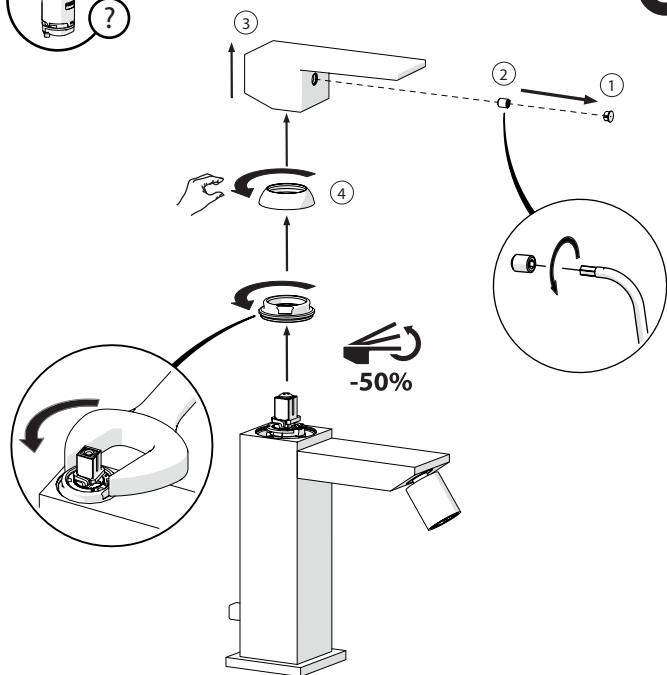
MI102119/2

SL00119/1

SL00119/2

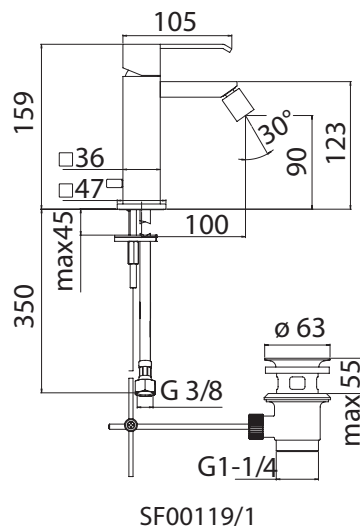


8



ESEMPIO DISEGNO TECNICO
EXAMPLE OF TECHNICAL DRAWING

10



SF00119/1

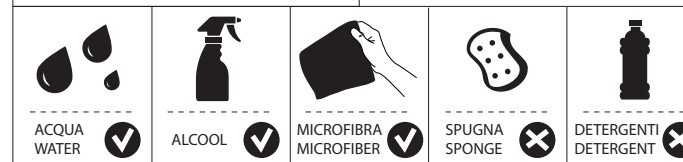


www.grupponobili.it

PRIMA DI INIZIARE / BEFORE STARTING



PULIZIA / CLEANING



IISTR5F00119#---STD



REV2.08/2015

