

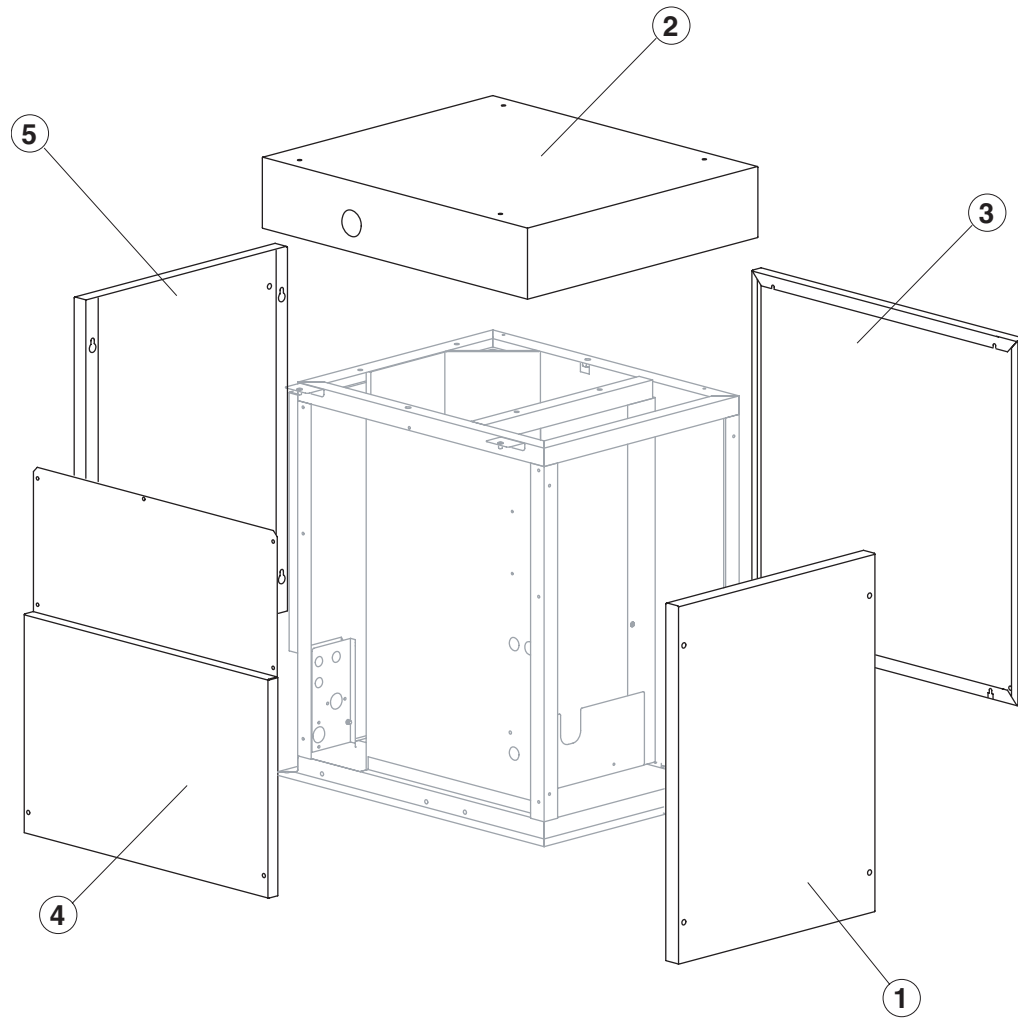


*SHELL ASSY*

*EVAPORATOR*

*PUMP*

*ELECTRIC PARTS*

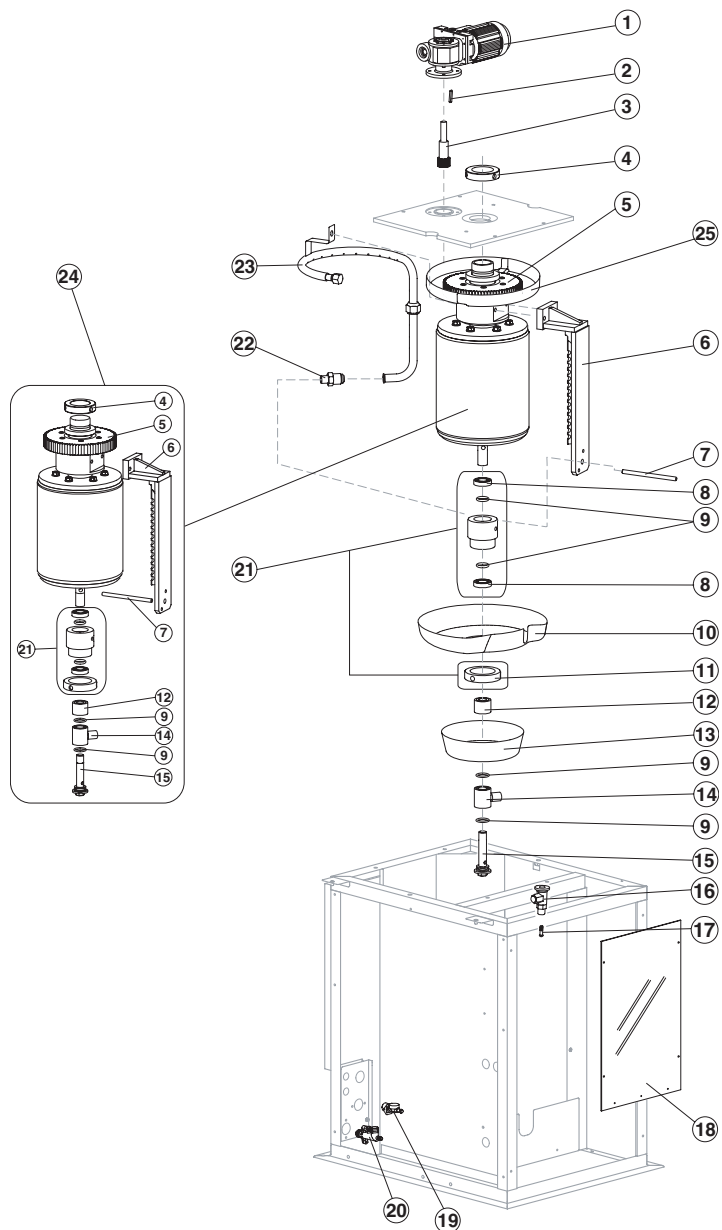


<i>Ref.</i>	<i>Spare Description</i>	<i>Code</i>
1	Front Panel	22474
2	Top Assembly	C22966
3	Right Side Panel	22445
4	Left Side Panel	22963
5	Rear Panel	22965



# MUSTER 800 SPLIT

# EVAPORATOR



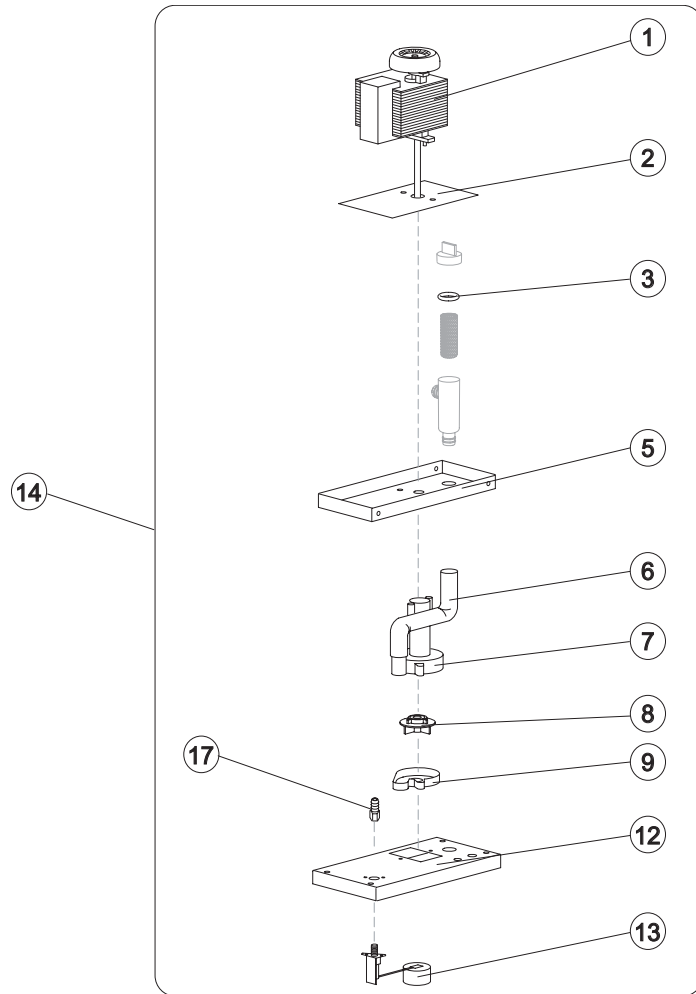
Ref.	Spare Description	Code
1	Gearmotor Assy	C23412
2	Key 6x6x40	20350
3	Pinion with Shaft for Gearmotor	C20344
4	Cylinder Locking Ring Nut	20365
5	Ring Gear	20363
6	Scraper	20358
7	M10 Tie Rod (to Block Scraper)	20369
8	Stainless Steel Bearing	20045
9	Silicone OR 4081 in Ring	20338
10	Rotating Basin	10191
11	Ring Nut for Rotating Ring	10194
12	Spacer	10528
13	Fixed Basin	C10599
14	Water Inlet Ring	20851
15	Screw	20872
16	Expansion Valve	20734
17	Orifice	Current Version 20944
17	Orifice	Till s/n. 470848 20733
18	Evaporator Chamber Shield	10531
19	1 Way- Water Inlet Nipple	10368
20	Discharge Manifold	10580
21	Complete Rotating Ring	C10193
22	Joint	20367
23	Sprayer Ring	C20357
24	Evaporator	C11150
25	Ring Gear Cover	From s/n. 556448 C10631

Rev. 12 - 12/03/2019



# MUSTER 800 SPLIT

# PUMP



Ref.	Spare Description	Code
1	Pump	See Table
2	Heat Dissipator	22430
3	Pump Filter Gasket	13080
5	Pump Motor Support	10161
6	Pump-Filter Connection Pipe	13084
7	Pump Body	10065
8	Pump Impeller	10138
9	Diffusor	10067
12	Water Pump Basin Cover	22420
13*	Floating Valve	10188
14*	Pump and Filter Assy	See Table
17	Connection	20799

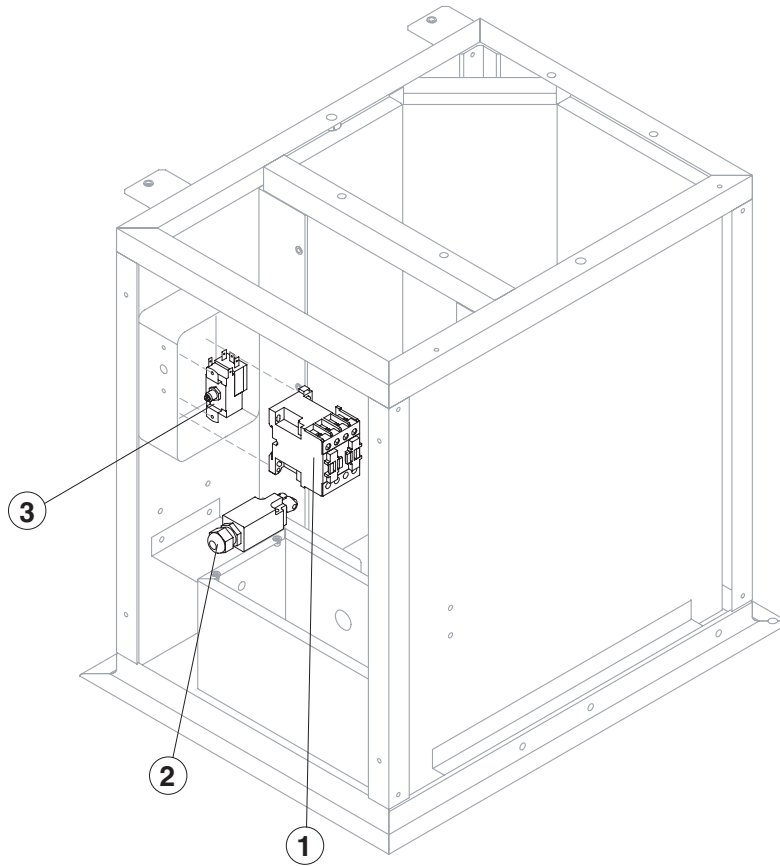
### Ref. 1 - Pump

Tension	Code
220-240V ~ 50Hz	R23073
220-230V ~ 60Hz	23187

### Ref. 14\* - Pump and Filter Assy

Tension	Code
220-240V ~ 50Hz	C26738
220-230V ~ 60Hz	C26739

Rev. 12 - 12/03/2019



Ref.	Spare Description	Code
1*	Contactor	23594
2	Microswitch for Overflow Ice	23746
3*	Bin Thermostat	R23005