



# VACUUM SEALER SE-204

Tabletop model. 4 m<sup>3</sup>/h. 280 mm.



FOOD PRESERVATION AND SOUS-VIDE  
VACUUM PACKING MACHINES - "SENSOR" LINE



## INCLUDES

- ✓ Sensor Controls
- ✓ Up to 10 seconds of extra vacuum pull
- ✓ Soft air function
- ✓ Dry oil cycle
- ✓ BUSCH pump
- ✓ NSF Approved
- ✓ Clear methacrylate lid
- ✓ Filling plate

## ACCESSORIES

- Filling plates
- Vac-norm external vacuum kits
- Vac-norm containers
- Smooth bags for vacuum packing

## SALES DESCRIPTION

280 mm. sealing bar.  
4 m<sup>3</sup>/h Busch vacuum pump.  
Vacuum controlled by sensor.

- ✓ Powered by Busch.
- ✓ Vacuum controlled by sensor.
- ✓ Vacuum PLUS.
- ✓ Digital keyboard.
- ✓ Control panel equipped with display indicating the exact vacuum percentage.
- ✓ "Pause" button to marinate food.
- ✓ Safe liquid packing thanks to sensor control.
- ✓ Double seal.
- ✓ Cordless sealing bar.
- ✓ Bag-sealing programme.
- ✓ Pulse-controlled decompression.
- ✓ Vac-Norm ready with Automatic decompression.
- ✓ Stainless steel body and chamber. Deep-drawn chamber.
- ✓ Damped transparent lid of highly durable polycarbonate.
- ✓ Dry-oil programme for drying the pump.
- ✓ Working hours counter for oil changes.
- ✓ Safety system with protection against vacuum failure.
- ✓ NSF-listed model.



**sammic** | [www.sammic.com](http://www.sammic.com)  
Food Service Equipment Manufacturer

Polígono Basarte, 1.  
20720 Azkoitia, Spain

phone +34 943 15 72 36  
[sales@sammic.com](mailto:sales@sammic.com)



Project	Date
Item	Qty
Approved	

product sheet  
updated 19/04/2021



# VACUUM SEALER SE-204

Tabletop model. 4 m<sup>3</sup>/h. 280 mm.



## SPECIFICATIONS

Pump capacity: 4 m<sup>3</sup>/h  
Pump capacity (60 Hz): 5 m<sup>3</sup>/h  
Bar length: 280 mm  
Total loading: 100 W  
Vacuum pressure (maximum): 2 mbar

### Internal dimensions

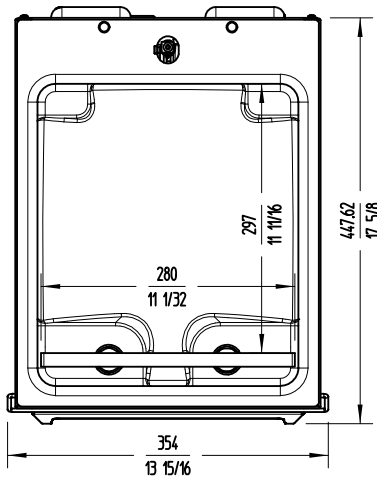
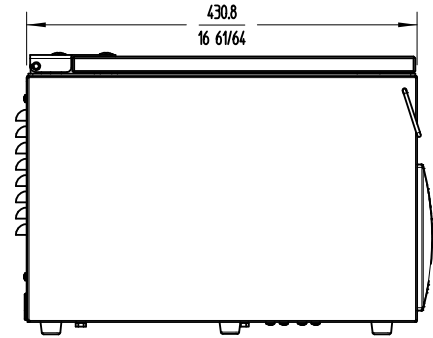
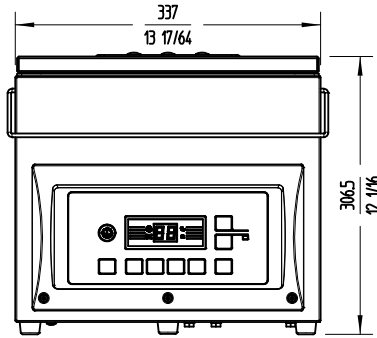
- ✓ Width: 288 mm
- ✓ Depth: 333 mm
- ✓ Height: 110 mm

### External dimensions (WxDxH)

- ✓ Width: 337 mm
  - ✓ Depth: 431 mm
  - ✓ Height: 307 mm
- Net weight: 24.2 Kg  
Noise level (1m.): -- dB(A)  
Background noise: 32 dB(A)

### Crated dimensions

400 x 525 x 390 mm  
Gross weight: 27.2 Kg.



## AVAILABLE MODELS

1140620 Vacuum packing machine SE-204 230/50-60/1

1140621 Vacuum packing machine SE-204 120/50-60/1

\* Ask for special versions availability

**sammic** | www.sammic.com  
Food Service Equipment Manufacturer

Polígono Basarte, 1. phone +34 943 15 72 36  
20720 Azkoitia, Spain sales@sammic.com



Project	Date
Item	Qty
Approved	

FOOD PRESERVATION AND SOUS-VIDE  
VACUUM PACKING MACHINES - "SENSOR" LINE

product sheet  
updated 19/04/2021