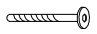



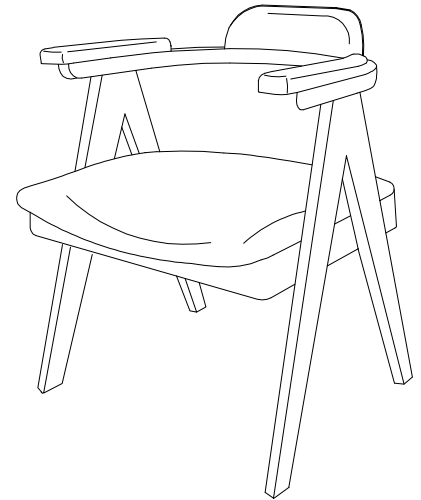


ASSEMBLY INSTRUCTIONS MODEL : MH 32015

IMPORTANT NOTE:

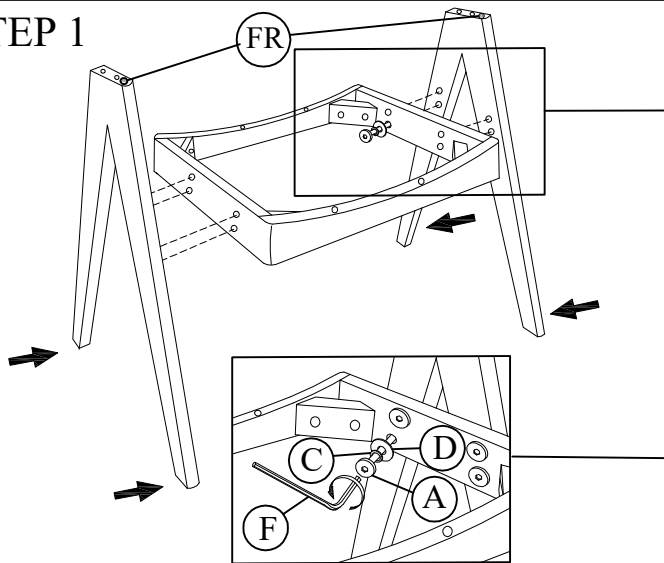
- * PLACE ALL WOODEN PARTS ON A CLEAN AND SMOOTH SURFACE SUCH AS A RUG OR CARPET TO AVOID THE PARTS FROM BEING SCRATCHED.
- * BEFORE YOU BEGIN, KINDLY FOLLOW THE ASSEMBLY INSTRUCTIONS STEP BY STEP.
- * DO NOT TIGHTEN ALL SCREWS UNTIL THE PRODUCT IS FULLY SET-UP.

HARDWARE LIST			
NO	DESCRIPTION		QTY
A		JCBC BOLT M6 X 40mm	12
B		JCBC BOLT M6 X 50mm	6
C		SPRING WASHER M6	8
D		FLAT WASHER M6	8
E		CSK SCREW M4 X 32mm	4
F		ALLEN KEY M4	1



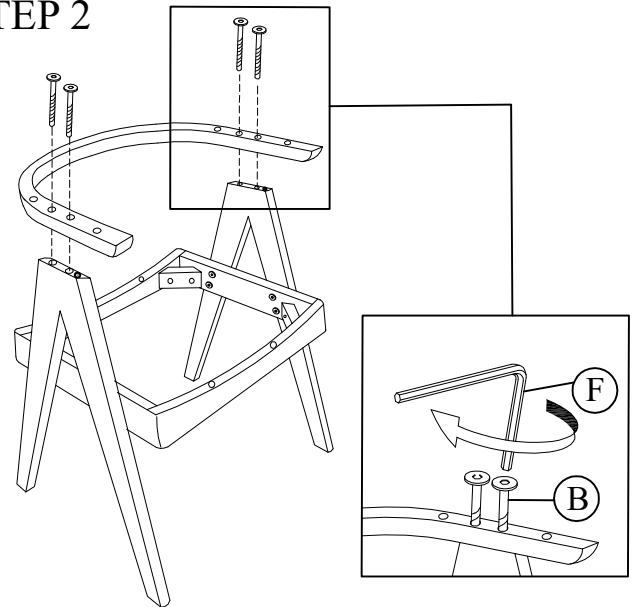
FULLY SET-UP

STEP 1

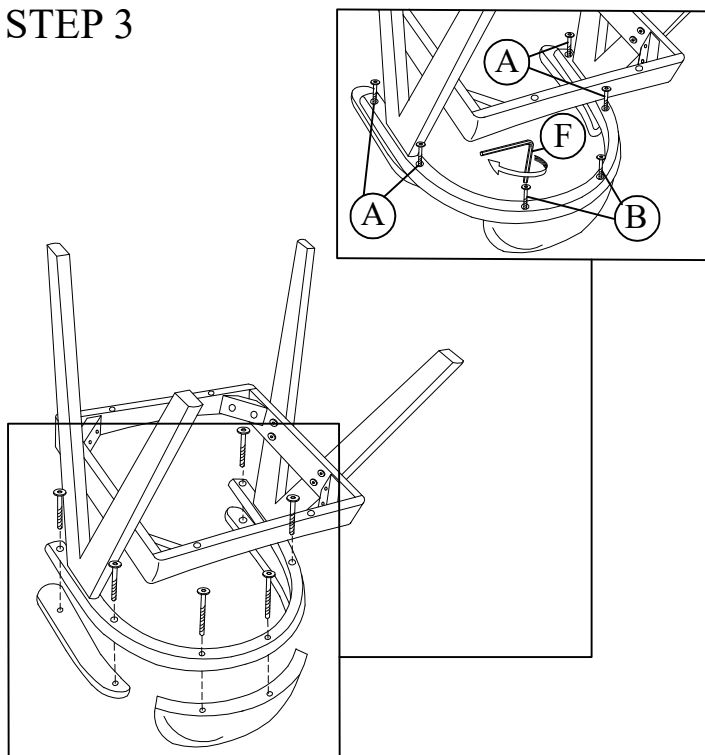


FR STICKER : FRONT

STEP 2



STEP 3



STEP 4

