

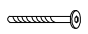



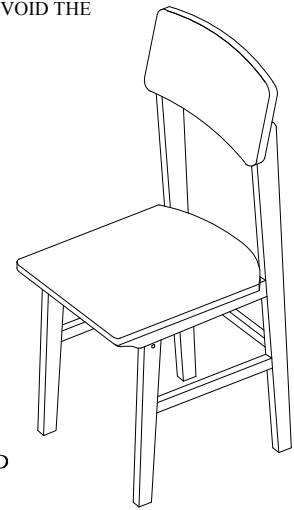


ASSEMBLY INSTRUCTIONS MODEL : MH 52030

IMPORTANT NOTE:

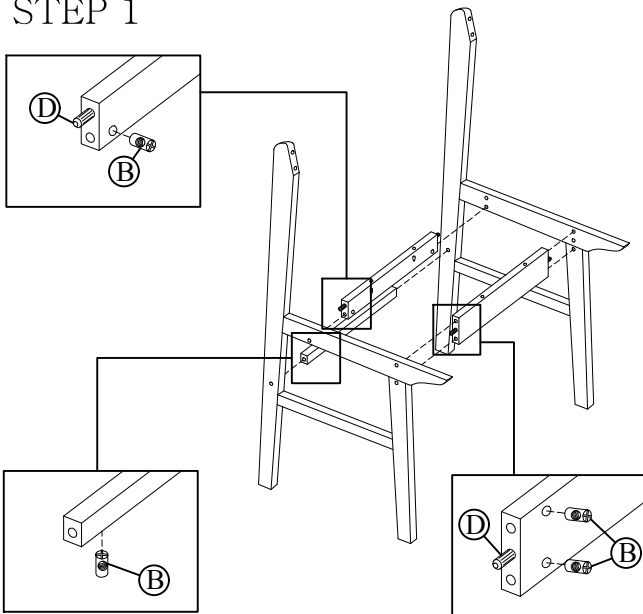
- * PLACE ALL WOODEN PARTS ON A CLEAN AND SMOOTH SURFACE SUCH AS A RUG OR CARPET TO AVOID THE PARTS FROM BEING SCRATCHED.
- * BEFORE YOU BEGIN, KINDLY FOLLOW THE ASSEMBLY INSTRUCTIONS STEP BY STEP.
- * DO NOT TIGHTEN ALL SCREWS UNTIL THE PRODUCT IS FULLY SET-UP,

| HARDWARE LIST | | | |
|---------------|---|-------------------------|-----|
| NO | DESCRIPTION | | QTY |
| A |  | JCBC BOLT M6 X 50mm | 8 |
| B |  | BARREL NUT M6 X 13mm | 8 |
| C |  | JCBC BOLT M6 X 25mm | 4 |
| D |  | WOOD DOWEL M8 X 30mm | 4 |
| E |  | CSK SCREW M4 X 32mm | 4 |
| F |  | ALLEN KEY M4 | 1 |

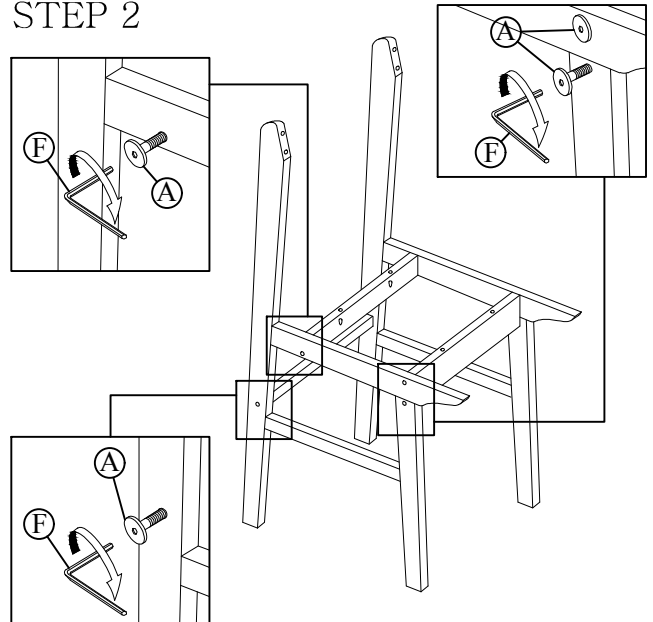


FULLY SET-UP

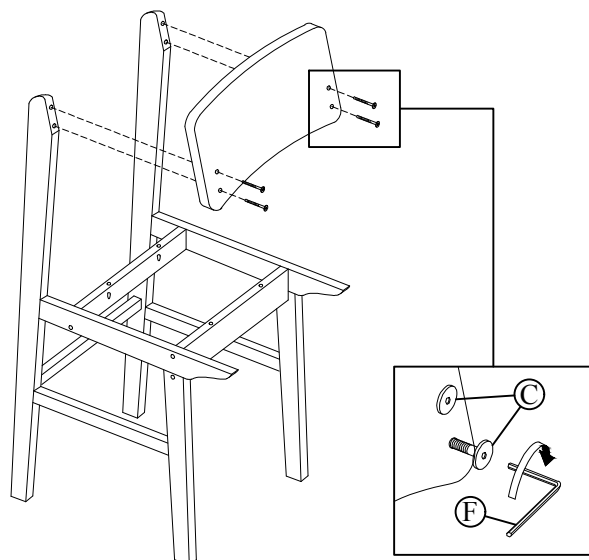
STEP 1



STEP 2



STEP 3



STEP 4

