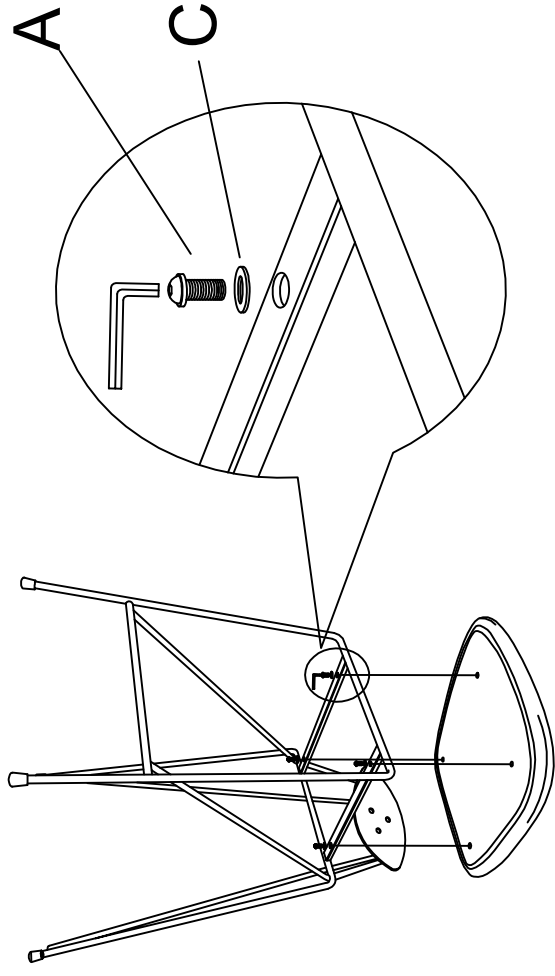
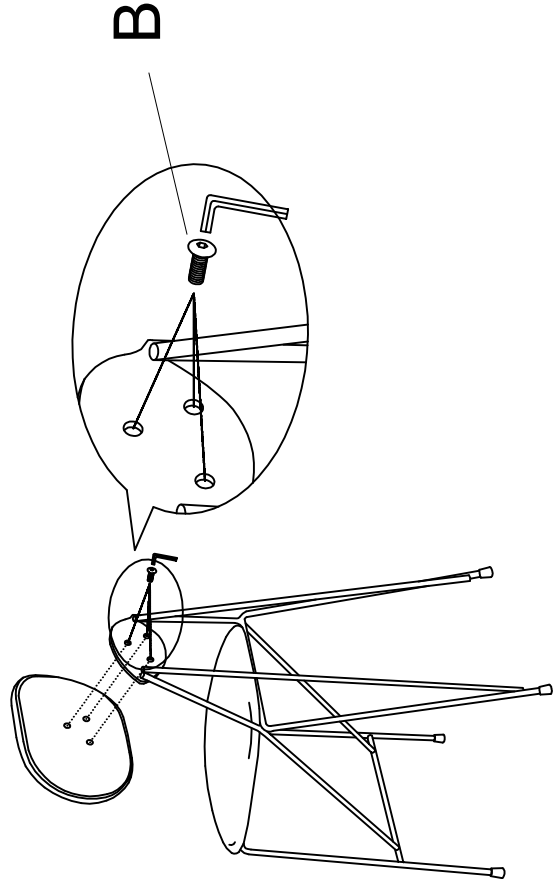


Step:1



Step:2



x4



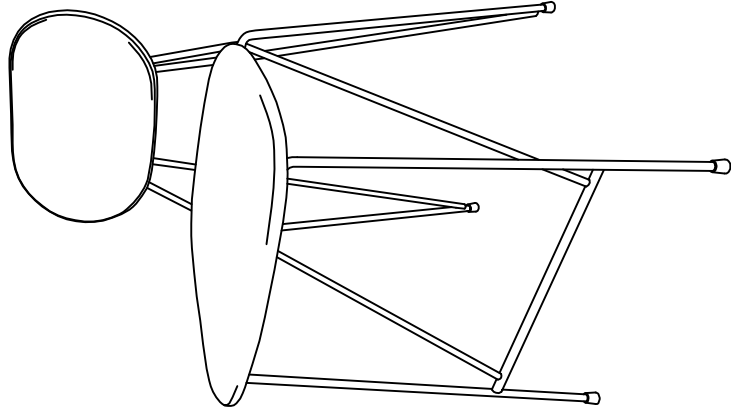
x3



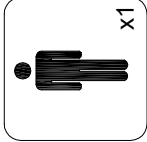
x4



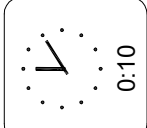
Finish



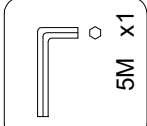
FDC8001



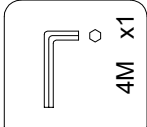
x1



0:10



5M x1



4M x1