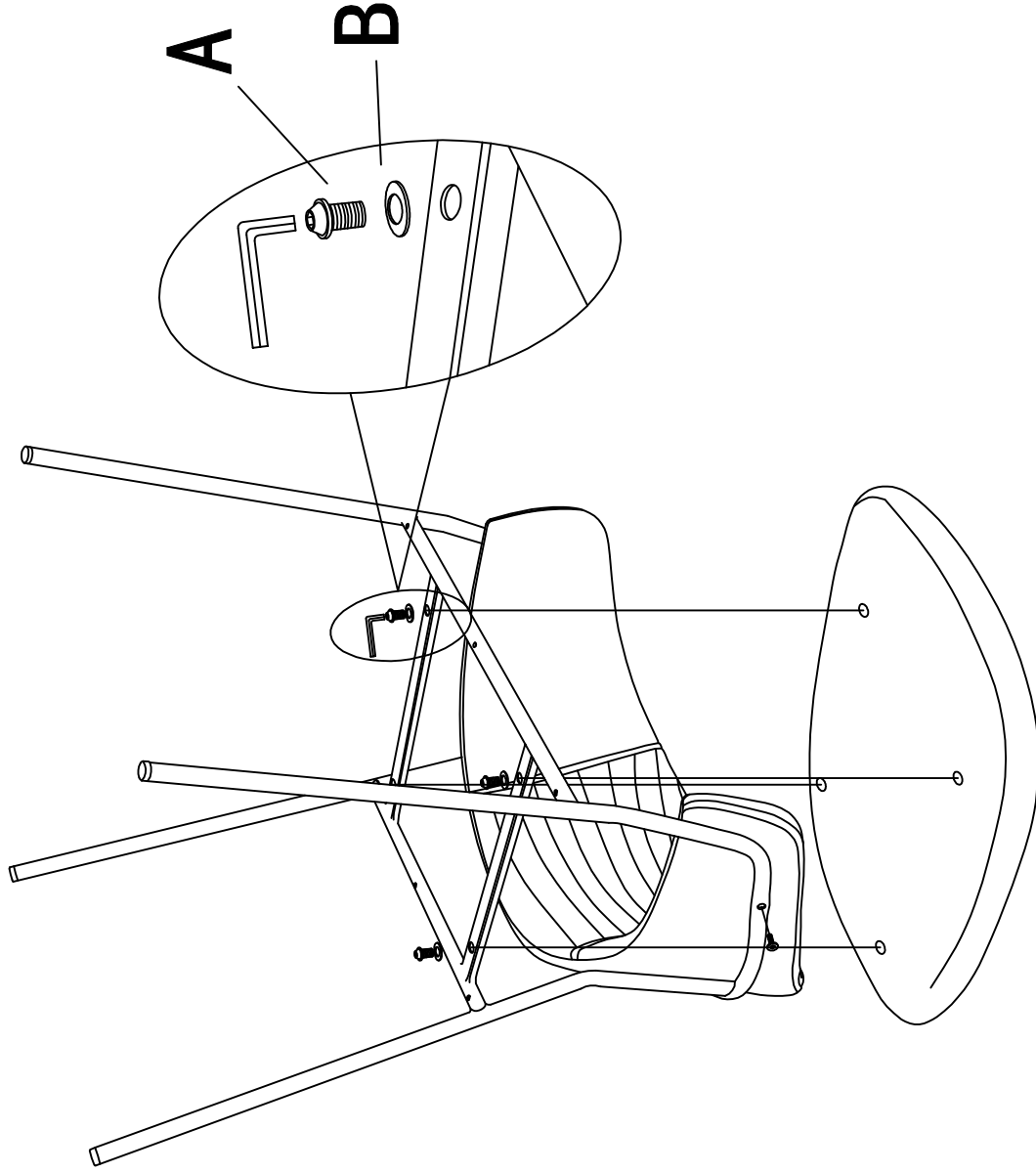


Step:1



x4



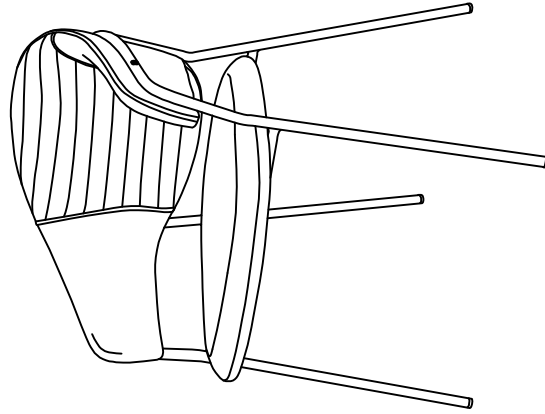
A

x4

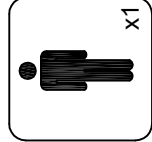


B

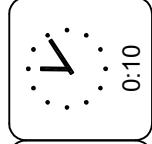
Finish



FDC8022



x1



0:10

