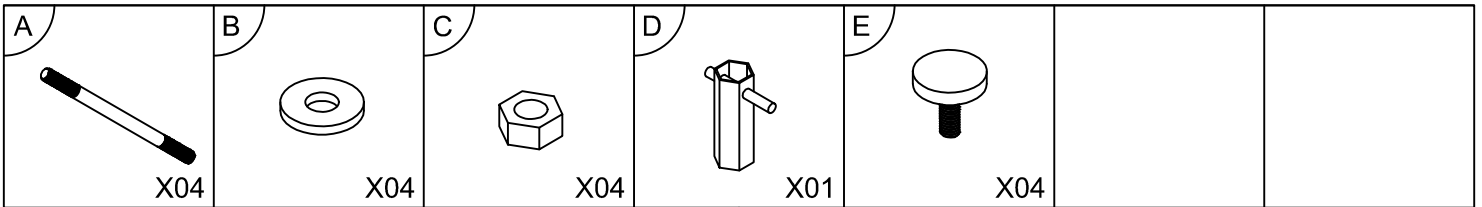
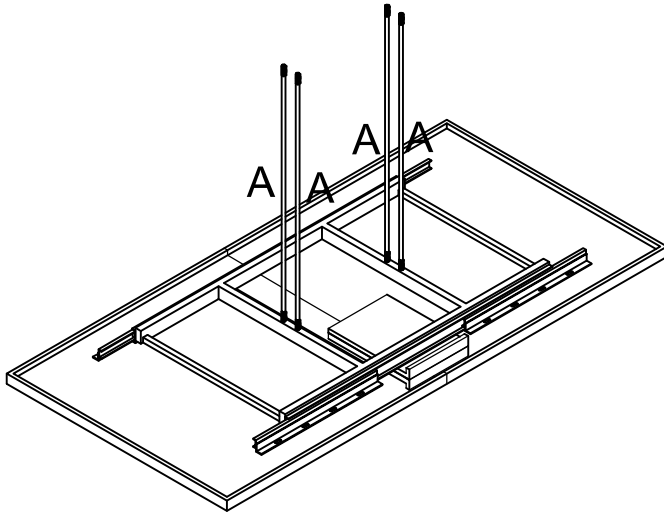


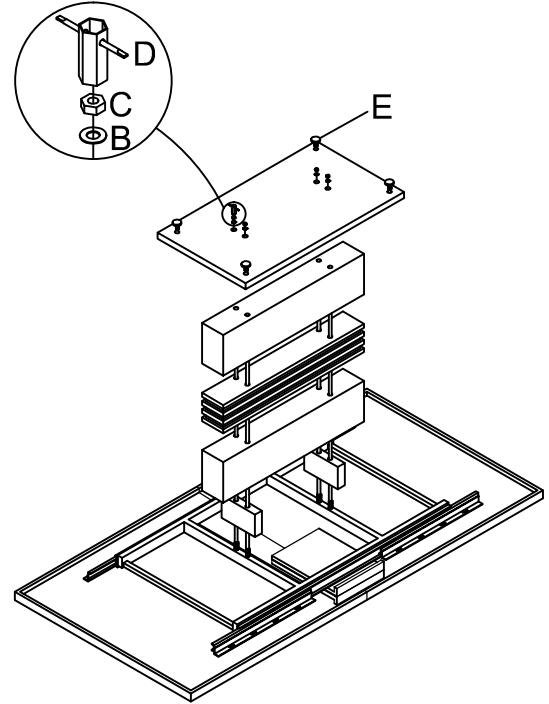
# ASSEMBLY INSTRUCTION DT-874



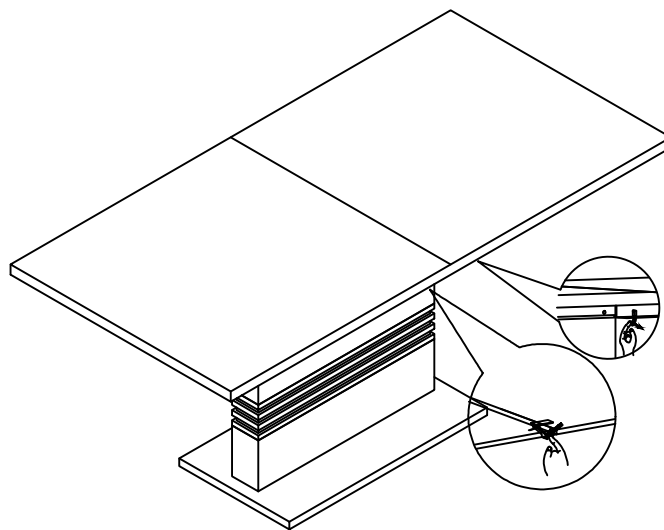
## STEP 1.



## STEP 2.



## STEP 3.



## STEP 4.

