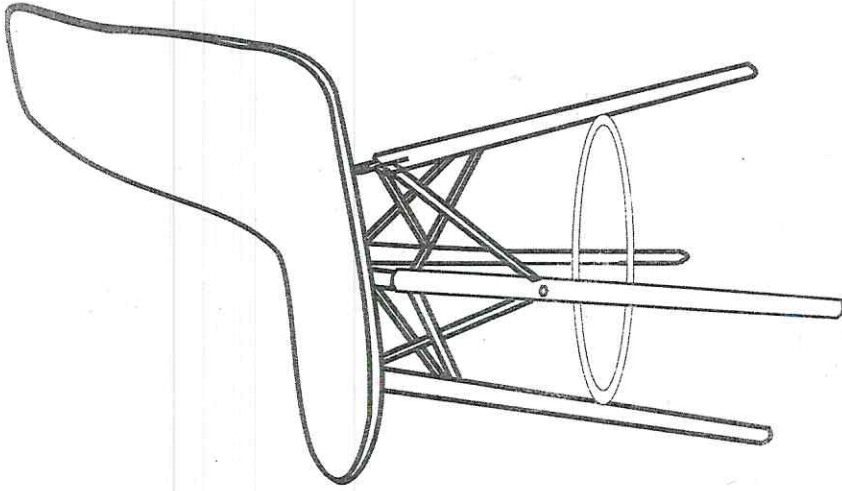
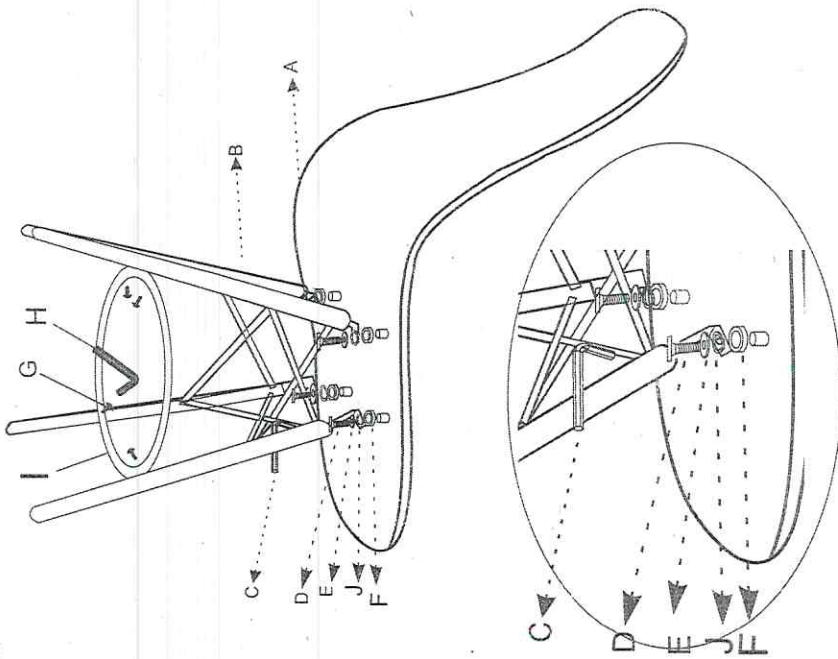


(B)



F		X4
G		X4
H		X1
I		X1
J		X4

(A)



A		X1
B		X1
C		X1
D		X4
E		X4