

LAUFEN



CERAMIC SANITARYWARE



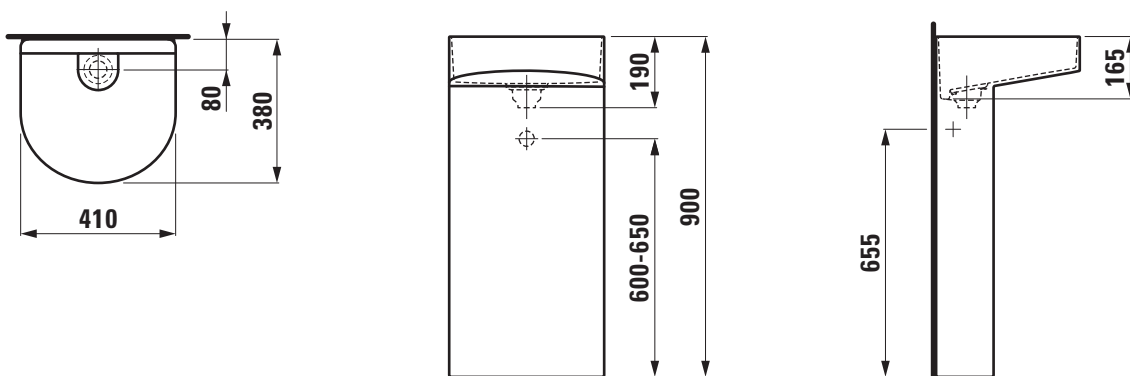
TECHNICAL DATA

Order no.	81134.1
Certified to	EN 31
Dimensions	410 x 380 mm
Basin capacity	14.3 litre
Specification	floorstanding with wall connection Charge 112 – without tap holes, without overflow
Weight	26,0 kg
Accessories incl.	SaphirKeramik valve cover plate, order no. 89334.3
Mounting acc. incl.	Charge 112 – valve without overflow always open, order no. 89334.4 Siphon LAUFEN, order no. 89299.5 Fastening kit, order no. 89175.7
Colours	see colour table

SPECIFICATION TEXT

Floorstanding washbasin Laufen-SONAR, SaphirKeramik
EN 31
dimensions 410 x 380 mm
without tap holes, without overflow, valve without overflow always open,
SaphirKeramik valve cover plate
Further options / accessories: Surface refinement LCC (only white),
bathtubs
Order no. 81134.1

TECHNICAL DRAWINGS / S 1 : 20



SET SONAR

Washbasin 81034.2



TECHNICAL DATA

Order no.	81034.2
Certified to	EN 31
Dimensions	600 x 420 mm
Basin capacity	8.3 litre (up to bottom line of the overflow)
Specification	Charge 104 – 1 centre tap hole
Special specification	Charge 108 – 3 tap holes Charge 109 – without tap holes Charge 136 – 3 tap holes, distance 8 inches
Weight	12,0 kg
Mounting acc. excl.	Design siphon with siphon cover DN 32 chrome, order no. 37498.0 Mounting set M10 x 140 mm, order no. 89988.2
Colours	see colour table

SPECIFICATION TEXT

Washbasin Laufen-SONAR, SaphirKeramik

EN 31

dimensions 600 x 420 mm

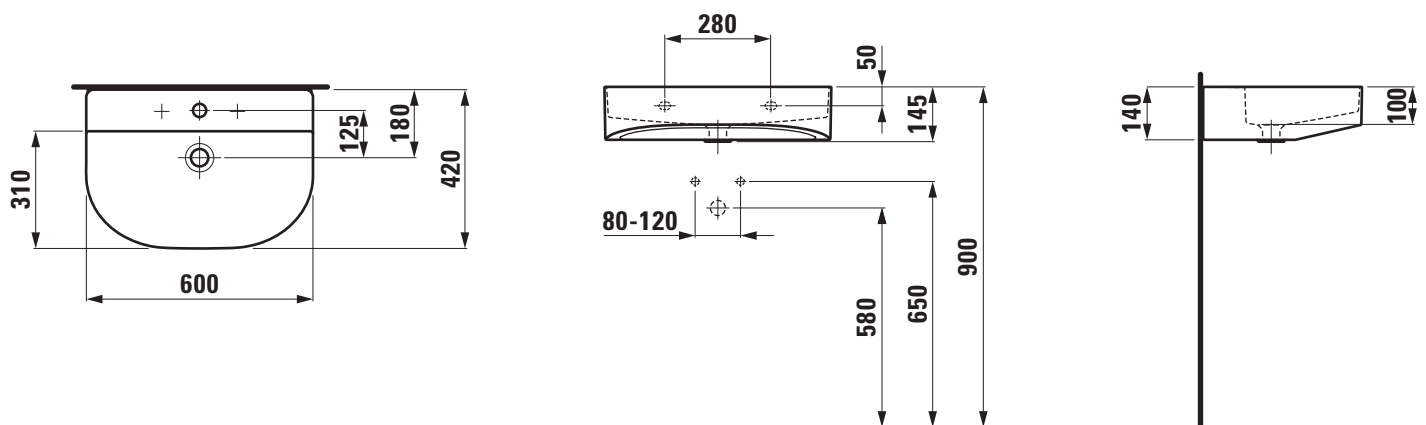
1 centre tap hole, with overflow

Special feature: overflow channel glazed

Further options / accessories: Surface refinement LCC (only white),
3 tap holes, without tap hole, 3 tap holes distance 8 inches, bathtubs

Order no. 81034.2

TECHNICAL DRAWINGS / S 1 : 20



**Washbasin undersurface ground
81634.2**



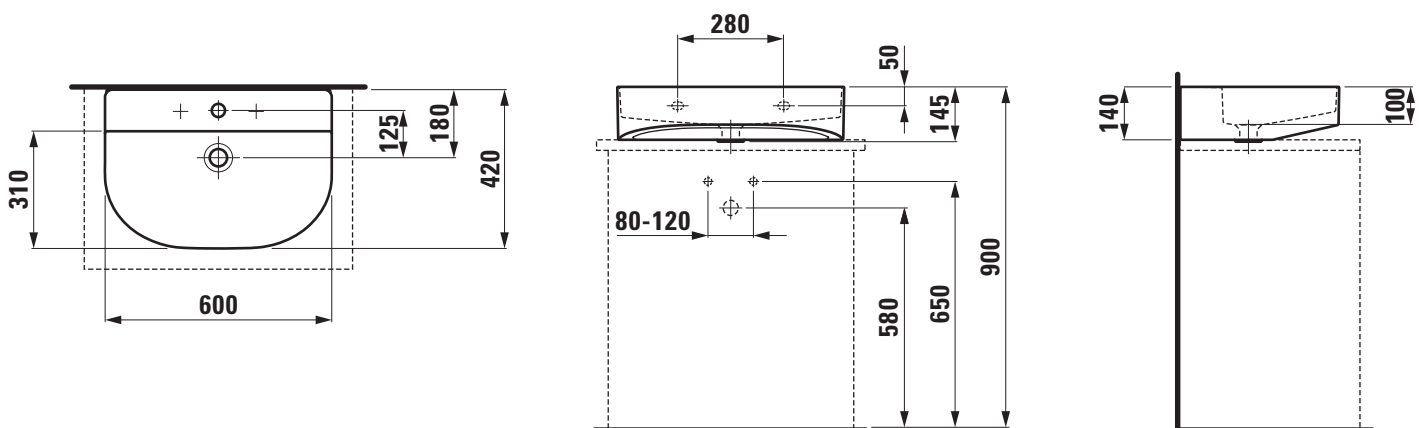
TECHNICAL DATA

Order no.	81634.2	Mounting set M10 x 140 mm, order no. 89988.2
Certified to	EN 31	
Dimensions	600 x 420 mm	Colours see colour table
Basin capacity	8.3 litre (up to bottom line of the overflow)	
Specification	Always to be fixed to the wall. Charge 104 – 1 centre tap hole	
Special specification	Charge 108 – 3 tap holes Charge 109 – without tap holes Charge 136 – 3 tap holes, distance 8 inches	
Weight	12,0 kg	
Mounting acc. incl.	Template, order no. 89634.0 Fastening kit, order no. 89194.0	
Mounting acc. excl.	Design siphon with siphon cover DN 32 chrome, order no. 37498.0	

SPECIFICATION TEXT

Washbasin undersurface ground Laufen-SONAR, SaphirKeramik EN 31
 dimensions 600 x 420 mm
 1 centre tap hole, with overflow
 Special feature: overflow channel glazed
 Further options / accessories: Surface refinement LCC (only white),
 3 tap holes, without tap hole, 3 tap holes distance 8 inches, bathtubs
 Order no. 81634.2

TECHNICAL DRAWINGS / S 1 : 20



SET SONAR

Washbasin 81034.7



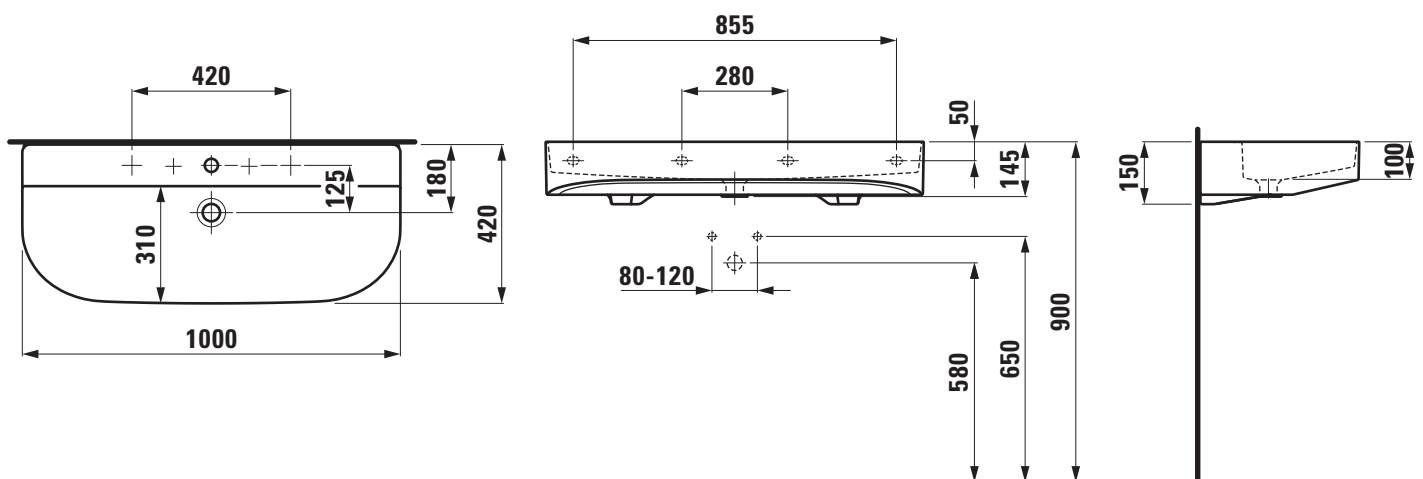
TECHNICAL DATA

Order no.	81034.7
Certified to	EN 31
Dimensions	1000 x 420 mm
Basin capacity	14.0 litre (up to bottom line of the overflow)
Specification	Charge 104 – 1 centre tap hole
Special specification	Charge 107 – 2 tap holes Charge 108 – 3 tap holes Charge 109 – without tap holes Charge 136 – 3 tap holes, distance 8 inches
Weight	21,5 kg
Mounting acc. excl.	Design siphon with siphon cover DN 32 chrome, order no. 37498.0 Mounting set M10 x 140 mm, order no. 89988.2
Colours	see colour table

SPECIFICATION TEXT

Washbasin Laufen-SONAR, SaphirKeramik
EN 31
dimensions 1000 x 420 mm
1 centre tap hole, with overflow
Special feature: overflow channel glazed
Further options / accessories: Surface refinement LCC (only white),
2 tap holes, 3 tap holes, without tap hole, 3 tap holes distance 8 inches,
bathtubs
Order no. 81034.7

TECHNICAL DRAWINGS / S 1 : 20



**Washbasin undersurface ground
81634.7**



TECHNICAL DATA

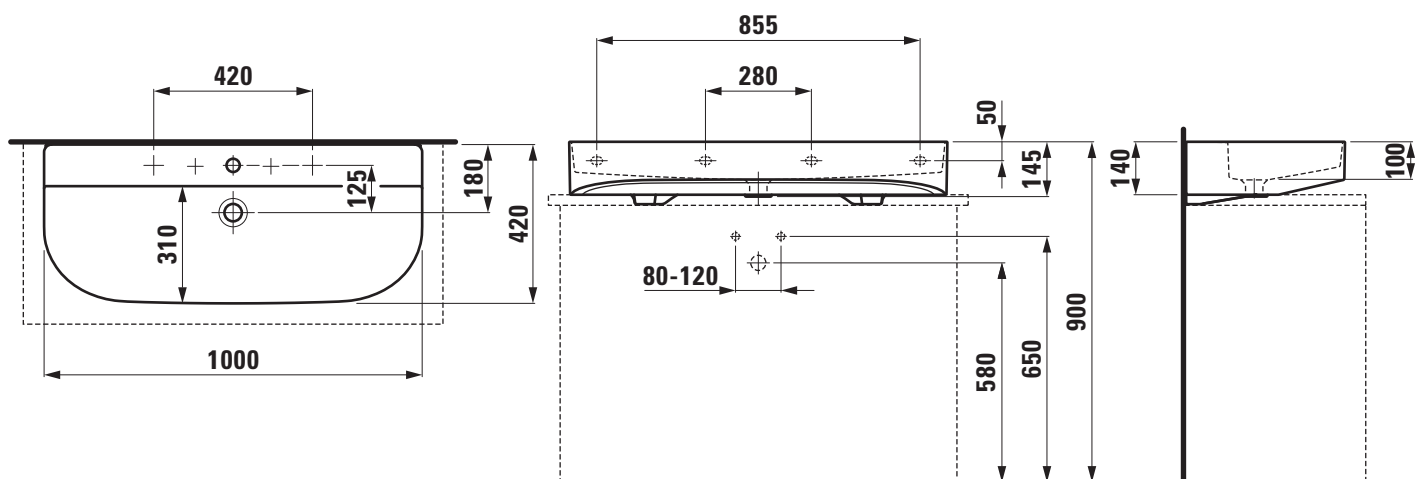
Order no.	81634.7
Certified to	EN 31
Dimensions	1000 x 420 mm
Basin capacity	14.0 litre (up to bottom line of the overflow)
Specification	Always to be fixed to the wall. Charge 104 – 1 centre tap hole
Special specification	Charge 107 – 2 tap holes Charge 108 – 3 tap holes Charge 109 – without tap holes Charge 136 – 3 tap holes, distance 8 inches
Weight	21,5 kg
Mounting acc. incl.	Template, order no. 89634.1 Fastening kit, order no. 89194.0

Mounting acc. excl.	Design siphon with siphon cover DN 32 chrome, order no. 37498.0 Mounting set M10 x 140 mm, order no. 89988.2
Colours	see colour table

SPECIFICATION TEXT

Washbasin undersurface ground Laufen-SONAR, SaphirKeramik EN 31
 dimensions 1000 x 420 mm
 1 centre tap hole, with overflow
 Special feature: overflow channel glazed
 Further options / accessories: Surface refinement LCC (only white),
 2 tap holes, 3 tap holes, without tap hole, 3 tap holes distance 8 inches,
 bathtubs
 Order no. 81634.7

TECHNICAL DRAWINGS / S 1 : 20





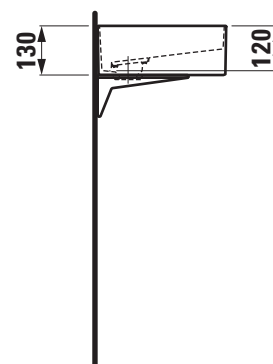
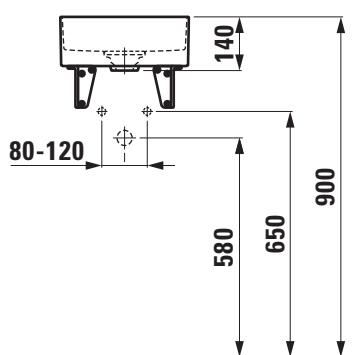
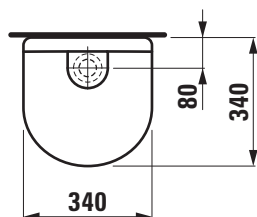
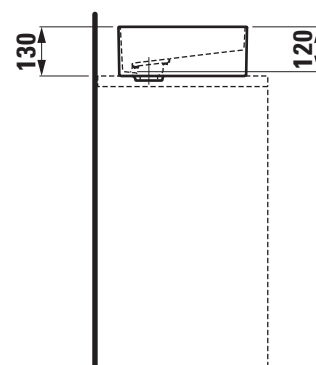
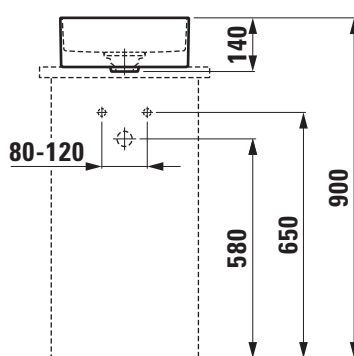
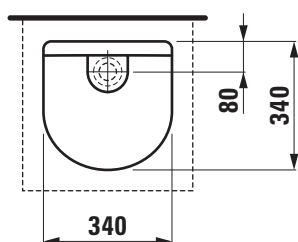
TECHNICAL DATA

Order no.	81234.0
Certified to	EN 31
Dimensions	340 x 340 mm
Basin capacity	7.8 litre
Specification	Charge 112 – without tap holes, without overflow
Weight	5,5 kg
Accessories incl.	SaphirKeramik valve cover plate, order no. 89334.3
Mounting acc. incl.	Charge 112 – valve without overflow always open, order no. 89334.4 Template, order no. 89334.5 Fastening kit, order no. 89496.1
Mounting acc. excl.	2 brackets for wall mounting, white, order no. 89434.0 Design siphon with siphon cover DN 32 chrome, order no. 37498.0
Otherwise	Use enclosed template for cutting.
Colours	see colour table

SPECIFICATION TEXT

Washbasin bowl Laufen-SONAR, SaphirKeramik
EN 31
dimensions 340 x 340 mm
without tap holes, without overflow, valve without overflow always open, SaphirKeramik valve cover plate
Special feature: possibility of bracket fixation
Further options / accessories: Surface refinement LCC (only white), bathtubs
Order no. 81234.0

TECHNICAL DRAWINGS / S 1 : 20



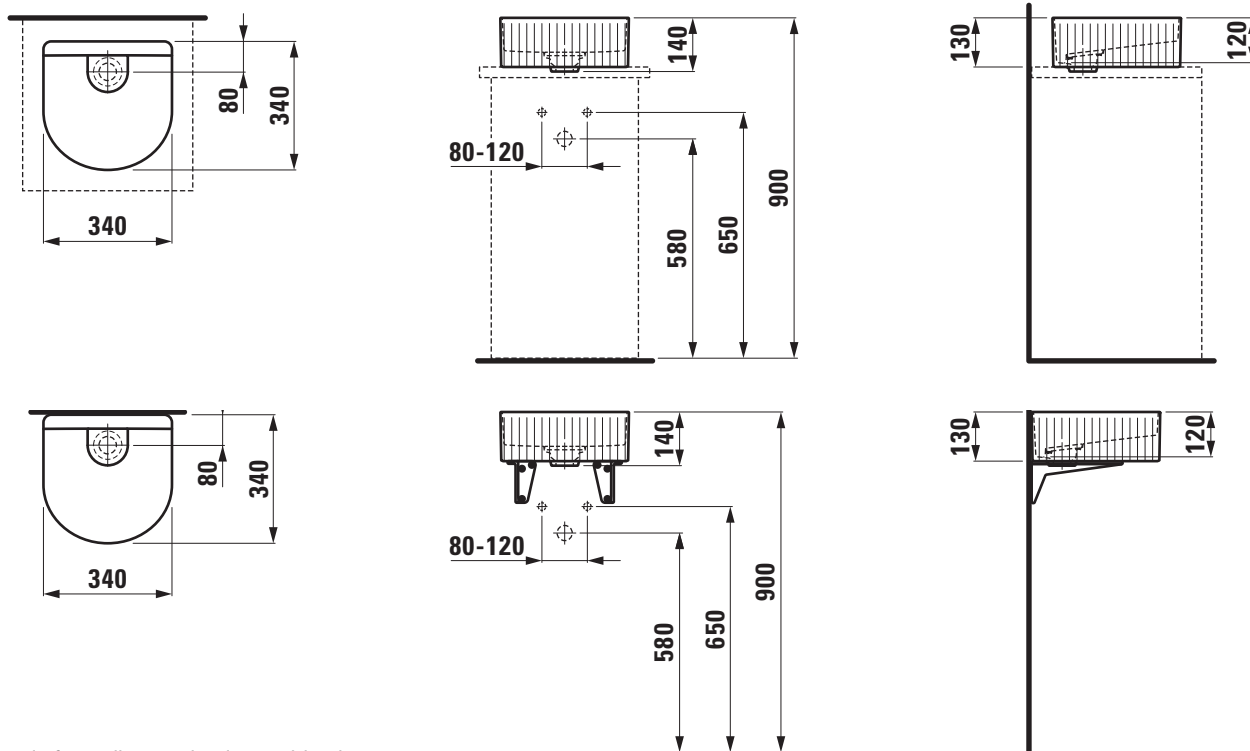
only for wall mounting in combination with brackets 89434.0



TECHNICAL DATA

Order no.	81234.1	Otherwise	Use enclosed template for cutting.
Certified to	EN 31	Colours	see colour table
Dimensions	340 x 340 mm	SPECIFICATION TEXT	
Basin capacity	7.8 litre	Washbasin bowl with texture Laufen-SONAR, SaphirKeramik	
Specification	with outside texture Charge 112 – without tap holes, without overflow	EN 31	
Weight	5,5 kg	dimensions 340 x 340 mm	
Accessories incl.	SaphirKeramik valve cover plate, order no. 89334.3	without tap holes, without overflow, valve without overflow always open, SaphirKeramik valve cover plate	
Mounting acc. incl.	Charge 112 – valve without overflow always open, order no. 89334.4 Template, order no. 89334.5 Fastening kit, order no. 89496.1	Special feature: with outside texture, possibility of bracket fixation Further options / accessories: Surface refinement LCC (only white), bathtubs	
Mounting acc. excl.	2 brackets for wall mounting, white, order no. 89434.0 Design siphon with siphon cover DN 32 chrome, order no. 37498.0	Order no. 81234.1	

TECHNICAL DRAWINGS / S 1 : 20



only for wall mounting in combination
with brackets 89434.0



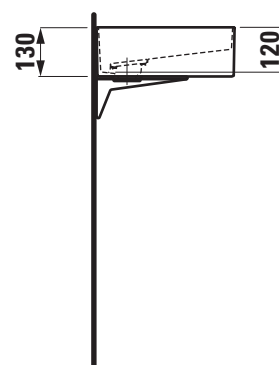
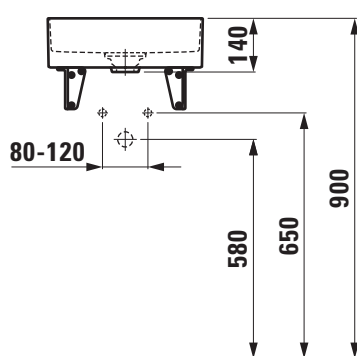
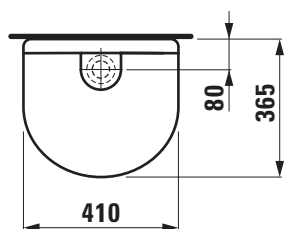
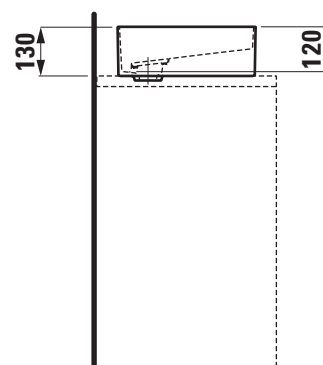
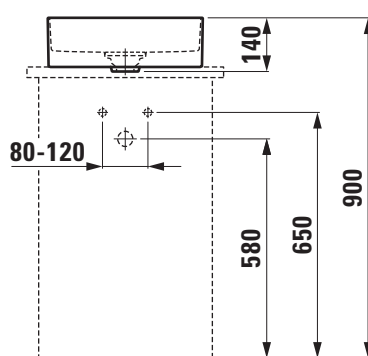
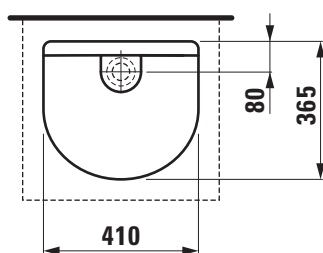
TECHNICAL DATA

Order no.	81234.2
Certified to	EN 31
Dimensions	410 x 365 mm
Basin capacity	9.6 litre
Specification	Charge 112 – without tap holes, without overflow
Weight	6,5 kg
Accessories incl.	SaphirKeramik valve cover plate, order no. 89334.3
Mounting acc. incl.	Charge 112 – valve without overflow always open, order no. 89334.4 Template, order no. 89334.5 Fastening kit, order no. 89496.1
Mounting acc. excl.	2 brackets for wall mounting, white, order no. 89434.0 Design siphon with siphon cover DN 32 chrome, order no. 37498.0
Otherwise	Use enclosed template for cutting.
Colours	see colour table

SPECIFICATION TEXT

Washbasin bowl Laufen-SONAR, SaphirKeramik
EN 31
dimensions 410 x 365 mm
without tap holes, without overflow, valve without overflow always open, SaphirKeramik valve cover plate
Special feature: possibility of bracket fixation
Further options / accessories: Surface refinement LCC (only white), bathtubs
Order no. 81234.2

TECHNICAL DRAWINGS / S 1 : 20



only for wall mounting in combination with brackets 89434.0



TECHNICAL DATA

Order no.	81234.3
Certified to	EN 31
Dimensions	410 x 365 mm
Basin capacity	9.6 litre
Specification	with outside texture Charge 112 – without tap holes, without overflow
Weight	6,5 kg
Accessories incl.	SaphirKeramik valve cover plate, order no. 89334.3
Mounting acc. incl.	Charge 112 – valve without overflow always open, order no. 89334.4 Template, order no. 89334.5 Fastening kit, order no. 89496.1
Mounting acc. excl.	2 brackets for wall mounting, white, order no. 89434.0 Design siphon with siphon cover DN 32 chrome, order no. 37498.0

Otherwise Use enclosed template for cutting.

Colours see colour table

SPECIFICATION TEXT

Washbasin bowl with texture Laufen-SONAR, SaphirKeramik
EN 31

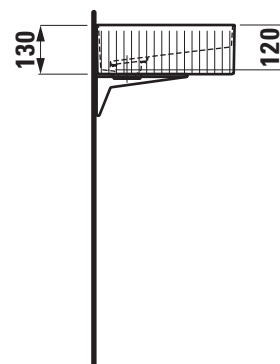
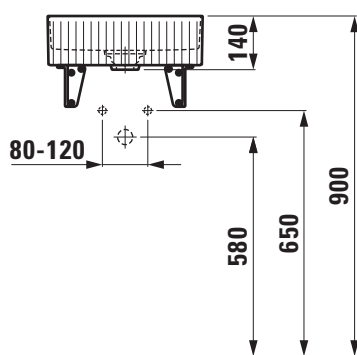
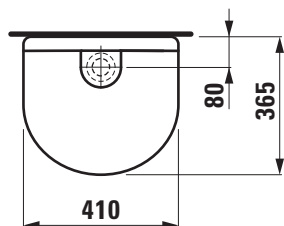
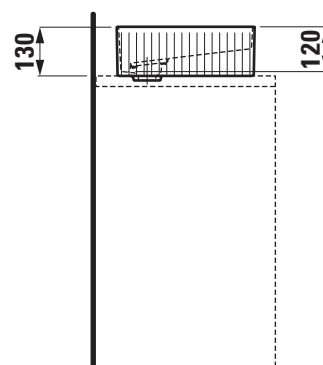
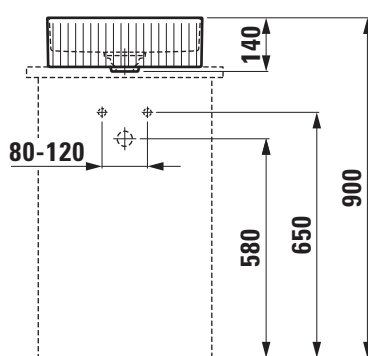
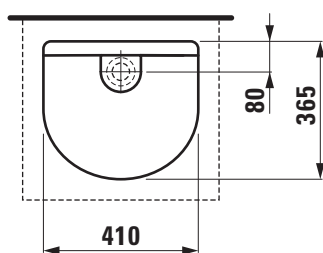
dimensions 410 x 365 mm

without tap holes, without overflow, valve without overflow always open,
SaphirKeramik valve cover plate

Special feature: with outside texture, possibility of bracket fixation
Further options / accessories: Surface refinement LCC (only white),
bathtubs

Order no. 81234.3

TECHNICAL DRAWINGS / S 1 : 20



only for wall mounting in combination
with brackets 89434.0



TECHNICAL DATA

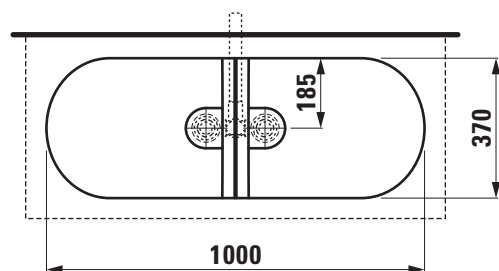
Order no.	81234.8
Certified to	EN 31
Dimensions	1000 x 370 mm
Basin capacity	per basin 4.9 litre
Specification	Charge 112 – without tap holes, without overflow
Weight	17,5kg
Accessories incl.	2x SaphirKeramik valve cover plate, order no. 89334.3
Mounting acc. incl.	Charge 112 – 2x valve without overflow always open, order no. 89334.4 Waste connection set LAUFEN, order no. 89434.3 Fastening kit, order no. 89496.1

Mounting acc. excl.	2 brackets for wall mounting, white, order no. 89434.0 Design siphon with siphon cover DN 32 chrome, order no. 37498.0 Space saving siphon DN 32, order no. 89424.0
Otherwise	Use enclosed template for cutting.
Colours	see colour table

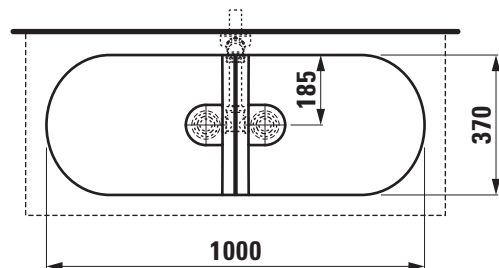
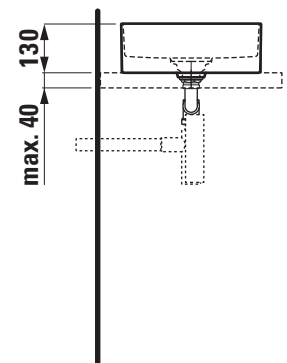
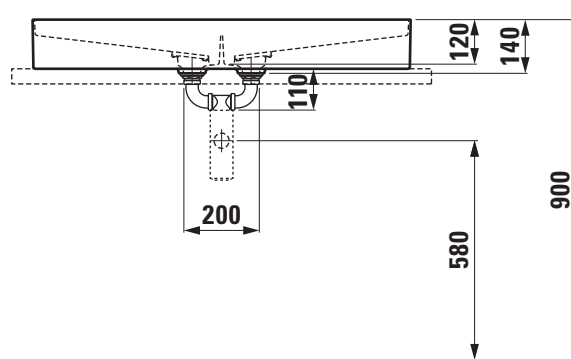
SPECIFICATION TEXT

Double washbasin bowl Laufen-SONAR, SaphirKeramik EN 31, dimensions 1000 x 370 mm without tap holes, without overflow, valve without overflow always open, SaphirKeramik valve cover plate
Special feature: possibility of bracket fixation
Further options / accessories: Surface refinement LCC (only white), bathtubs
Order no. 81234.8

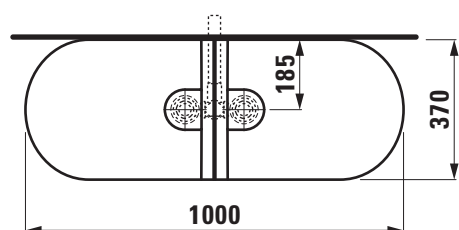
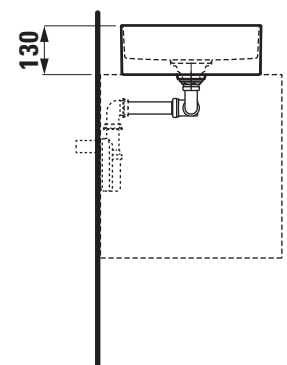
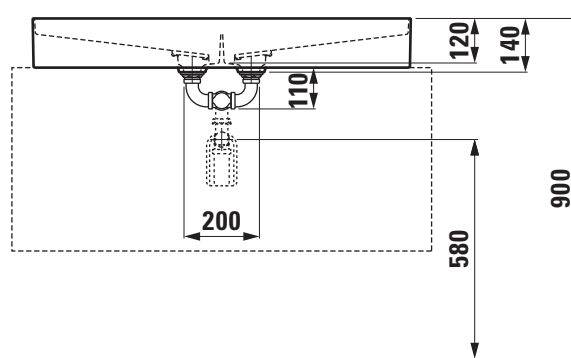
TECHNICAL DRAWINGS / S 1 : 20



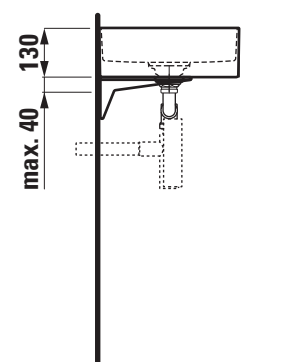
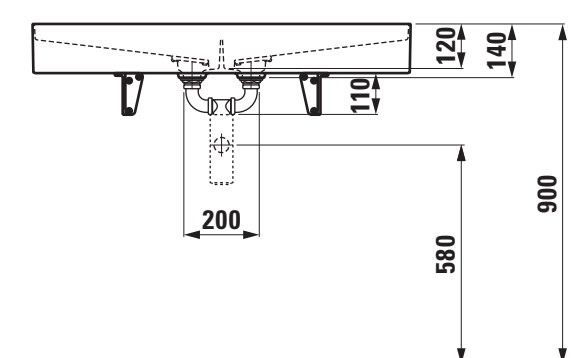
with design siphon DN32 LAUFEN 37498.0



only for space saving siphon DN32 LAUFEN 89424.0 in combination with vanity unit 40905.3



only for wall mounting in combination with brackets 89434.0



Double washbasin bowl with texture

81234.9



TECHNICAL DATA

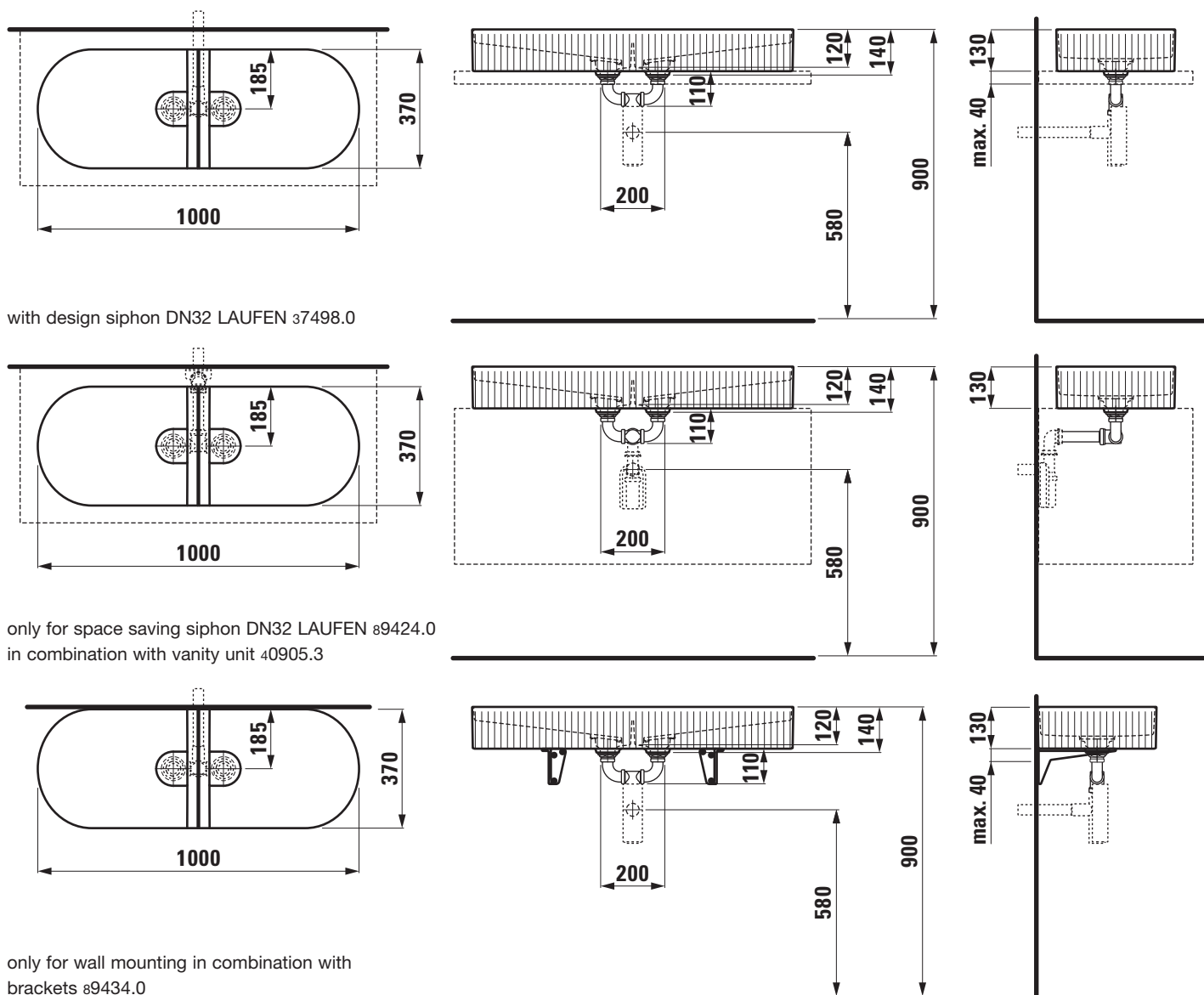
Order no.	81234.9
Certified to	EN 31
Dimensions	1000 x 370 mm
Basin capacity	per basin 4.9 litre
Specification	with outside texture Charge 112 – without tap holes, without overflow
Weight	17,5kg
Accessories incl.	2x SaphirKeramik valve cover plate, order no. 89334.3
Mounting acc. incl.	Charge 112 – 2x valve without overflow always open, order no. 89334.4 Waste connection set LAUFEN, order no. 89434.3 Fastening kit, order no. 89496.1

Mounting acc. excl.	2 brackets for wall mounting, white, order no. 89434.0 Design siphon with siphon cover DN 32 chrome, order no. 37498.0 Space saving siphon DN 32, order no. 89424.0
Otherwise	Use enclosed template for cutting.
Colours	see colour table

SPECIFICATION TEXT

Double washbasin bowl with texture Laufen-SONAR, SaphirKeramik EN 31, dimensions 1000 x 370 mm without tap holes, without overflow, valve without overflow always open, SaphirKeramik valve cover plate
Special feature: with outside texture, possibility of bracket fixation
Further options / accessories: Surface refinement LCC (only white), bathtubs
Order no. 81234.9

TECHNICAL DRAWINGS / S 1 : 20



SET SONAR

Small washbasin

81534.1



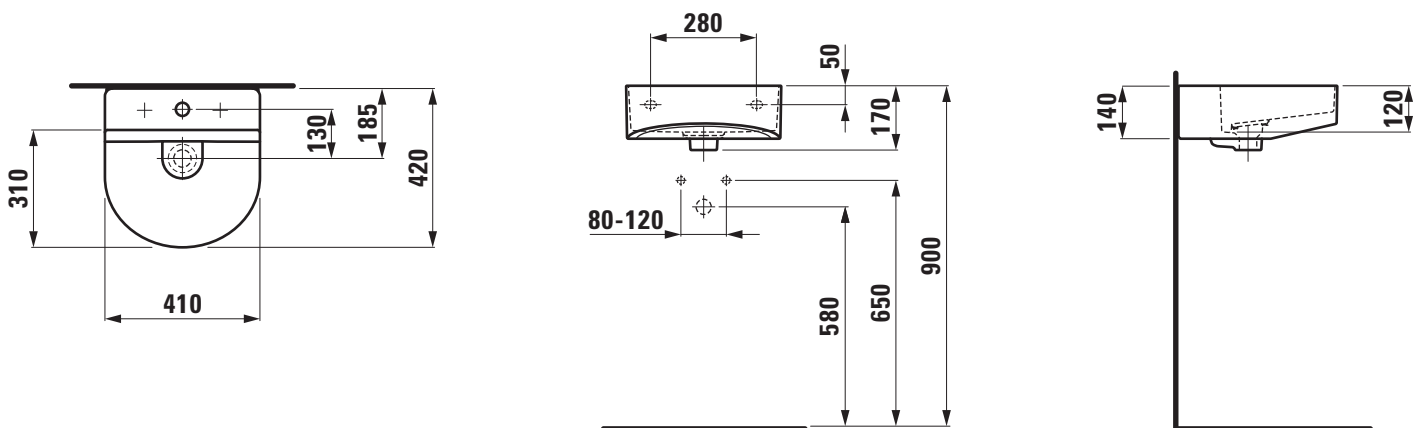
TECHNICAL DATA

Order no.	81534.1
Certified to	EN 31
Dimensions	410 x 420 mm
Basin capacity	6.3 litre (up to bottom line of the overflow)
Specification	Charge 104 – 1 centre tap hole
Special specification	Charge 109 – without tap holes
Weight	9,5 kg
Accessories incl.	SaphirKeramik valve cover plate, order no. 89334.3
Mounting acc. excl.	Design siphon with siphon cover DN 32 chrome, order no. 37498.0 Mounting set M10 x 140 mm, order no. 89988.2
Colours	see colour table

SPECIFICATION TEXT

Small washbasin Laufen-SONAR, SaphirKeramik
EN 31
dimensions 410 x 420 mm
1 centre tap hole, with overflow, SaphirKeramik valve cover plate
Special feature: overflow channel glazed
Further options / accessories: Surface refinement LCC (only white),
without tap hole, bathtubs
Order no. 81534.1

TECHNICAL DRAWINGS / S 1 : 20



**Small washbasin undersurface ground
81634.1**



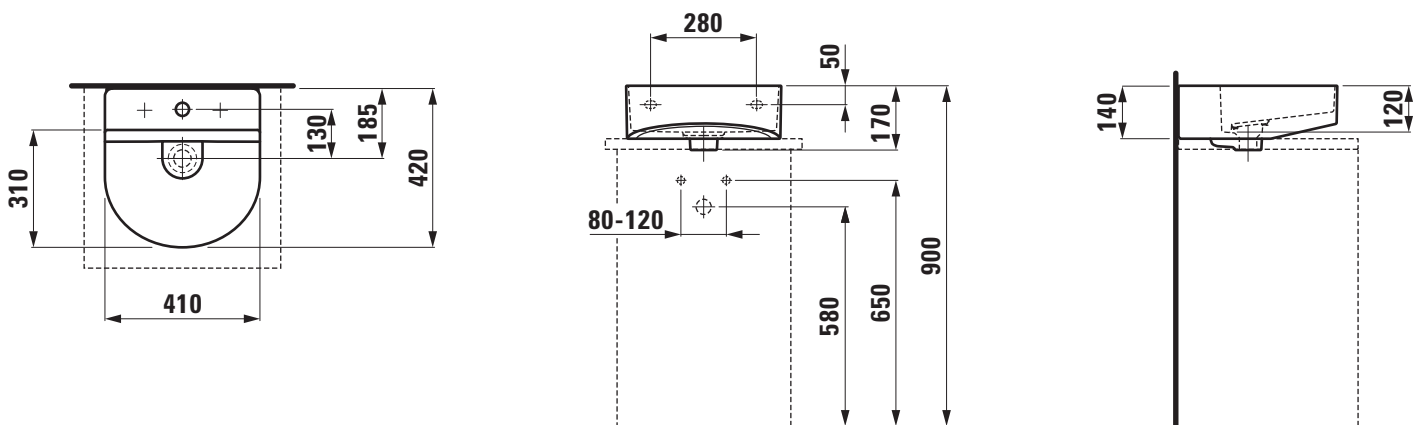
TECHNICAL DATA

Order no.	81634.1
Certified to	EN 31
Dimensions	410 x 420 mm
Basin capacity	6.3 litre (up to bottom line of the overflow)
Specification	Always to be fixed to the wall. Charge 104 – 1 centre tap hole
Special specification	Charge 109 – without tap holes
Weight	9,5 kg
Accessories incl.	SaphirKeramik valve cover plate, order no. 89334.3
Mounting acc. incl.	Template, order no. 89334.7
Mounting acc. excl.	Design siphon with siphon cover DN 32 chrome, order no. 37498.0 Mounting set M10 x 140 mm, order no. 89988.2
Colours	see colour table

SPECIFICATION TEXT

Small washbasin undersurface ground Laufen-SONAR, SaphirKeramik EN 31
 dimensions 410 x 420 mm
 1 centre tap hole, with overflow, SaphirKeramik valve cover plate
 Special feature: overflow channel glazed
 Further options / accessories: Surface refinement LCC (only white),
 without tap hole, bathtubs
 Order no. 81634.1

TECHNICAL DRAWINGS / S 1 : 20



**Floorstanding cistern, two-part Universal for floorstanding WC pan
82966.0**



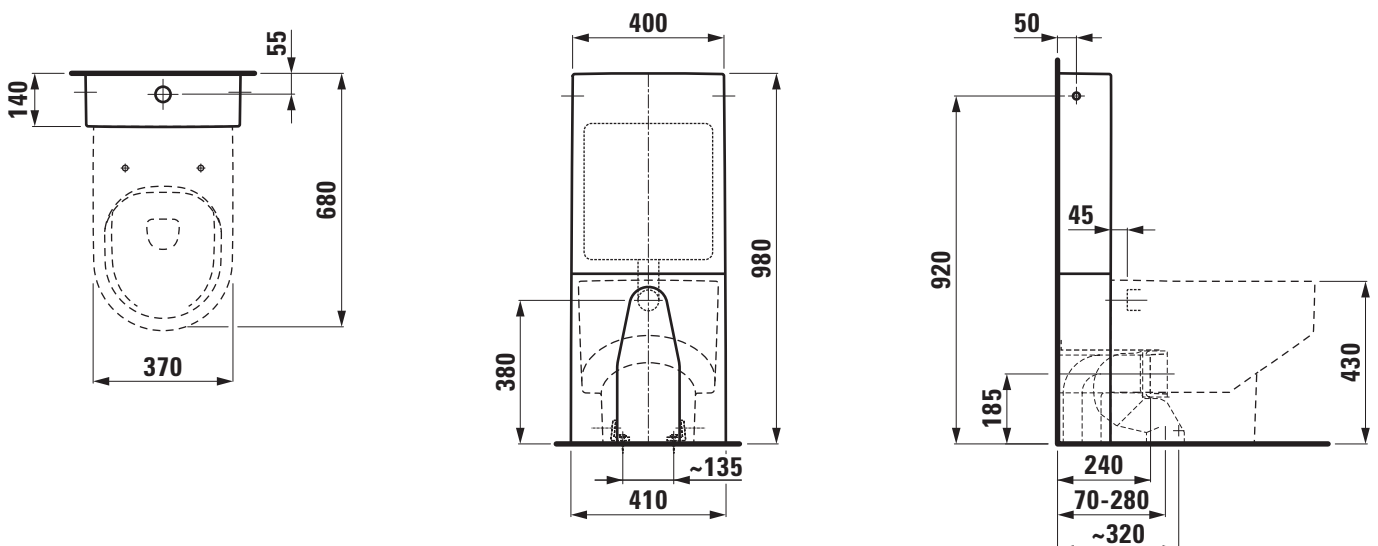
TECHNICAL DATA

Order no.	82966.0
Certified to	EN 14055
matching for	Floorstanding WC pan rimless, order no. 82334.1
Specification	Floorstanding, consisting of two-parts Flushing mechanism Dual-Flush water condensation insulation Charge 882 – 6/3-l (5/3-l-flush, 4,5/3-l-flush)
Water inlet	side left, side right, 3/8" brass
Weight	21,0 kg
Mounting acc. incl.	Fastening kit
Mounting acc. excl.	for VARIO-outlet 70 - 220 mm LAUFEN-connection, order no. 89009.2 for VARIO-outlet 220 - 280 mm only LAUFEN-connection, order no. 89902.5 Angle valve for water inlet Water inlet hose
Colours	see colour table

SPECIFICATION TEXT

Floorstanding cistern, two-part Universal Laufen-SONAR, sanitary ceramic
EN 14055
dimensions 400/410 x 140 x 980 mm
Dual-Flush 6/3-l (5/3-l-flush, 4,5/3-l-flush)
water inlet side left, side right, 3/8" brass
matching floorstanding WC pan rimless, order no. 82334.1
Special feature: water condensation insulation
Order no. 82966.0

TECHNICAL DRAWINGS / S 1 : 20



**Floorstanding cistern, two-part Universal for floorstanding WC pan
82966.1**



TECHNICAL DATA

Order no.	82966.1
Certified to	EN 14055
matching for	Floorstanding WC pan rimless, order no. 82334.1
Specification	Floorstanding, consisting of two-parts Flushing mechanism Dual-Flush water condensation insulation Charge 881 – 6/3-l (5/3-l-flush, 4,5/3-l-flush)
Water inlet	concealed top left rear, 1/2" brass
Weight	21,0 kg
Mounting acc. incl.	Fastening kit Angle valve for rear water inlet Water inlet hose

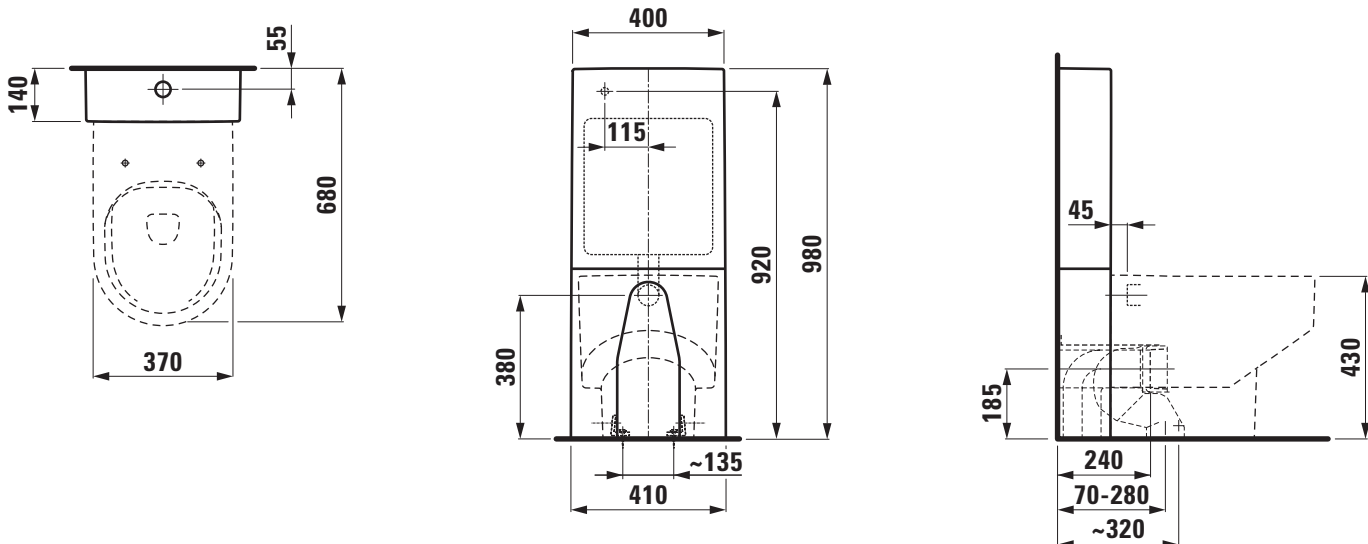
Mounting acc. excl. for VARIO-outlet 70 - 220 mm LAUFEN-connection, order no. 89009.2
for VARIO-outlet 220 - 280 mm only LAUFEN-connection, order no. 89902.5

Colours see colour table

SPECIFICATION TEXT

Floorstanding cistern, two-part Universal Laufen-SONAR, sanitary ceramic
EN 14055
dimensions 400/410 x 140 x 980 mm
Dual-Flush 6/3-l (5/3-l-flush, 4,5/3-l-flush)
concealed water inlet top left rear, 1/2" brass
matching floorstanding WC pan rimless, order no. 82334.1
Special feature: water condensation insulation
Order no. 82966.1

TECHNICAL DRAWINGS / S 1 : 20



**Floorstanding cistern, two-part Universal for floorstanding WC pan
82966.3**



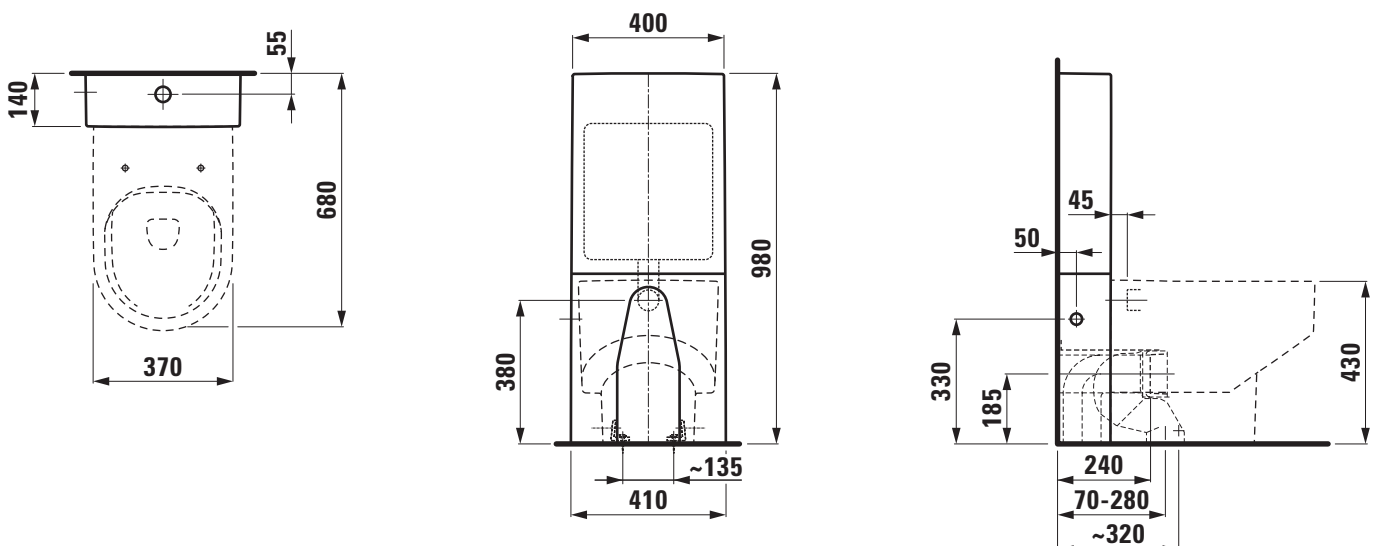
TECHNICAL DATA

Order no.	82966.3
Certified to	EN 14055
matching for	Floorstanding WC pan rimless, order no. 82334.1
Specification	Floorstanding, consisting of two-parts Flushing mechanism Dual-Flush water condensation insulation Charge 883 – 6/3-l (5/3-l-flush, 4,5/3-l-flush)
Water inlet	bottom left, 1/2" plastic
Weight	21,0 kg
Mounting acc. incl.	Fastening kit
Mounting acc. excl.	for VARIO-outlet 70 - 220 mm LAUFEN-connection, order no. 89009.2 for VARIO-outlet 220 - 280 mm only LAUFEN-connection, order no. 89902.5 Angle valve for water inlet Water inlet hose
Colours	see colour table

SPECIFICATION TEXT

Floorstanding cistern, two-part Universal Laufen-SONAR, sanitary ceramic
EN 14055
dimensions 400/410 x 140 x 980 mm
Dual-Flush 6/3-l (5/3-l-flush, 4,5/3-l-flush)
water inlet bottom left, 1/2" plastic
matching floorstanding WC pan rimless, order no. 82334.1
Special feature: water condensation insulation
Order no. 82966.3

TECHNICAL DRAWINGS / S 1 : 20



**Floorstanding cistern, two-part Universal for floorstanding WC pan
82966.4**



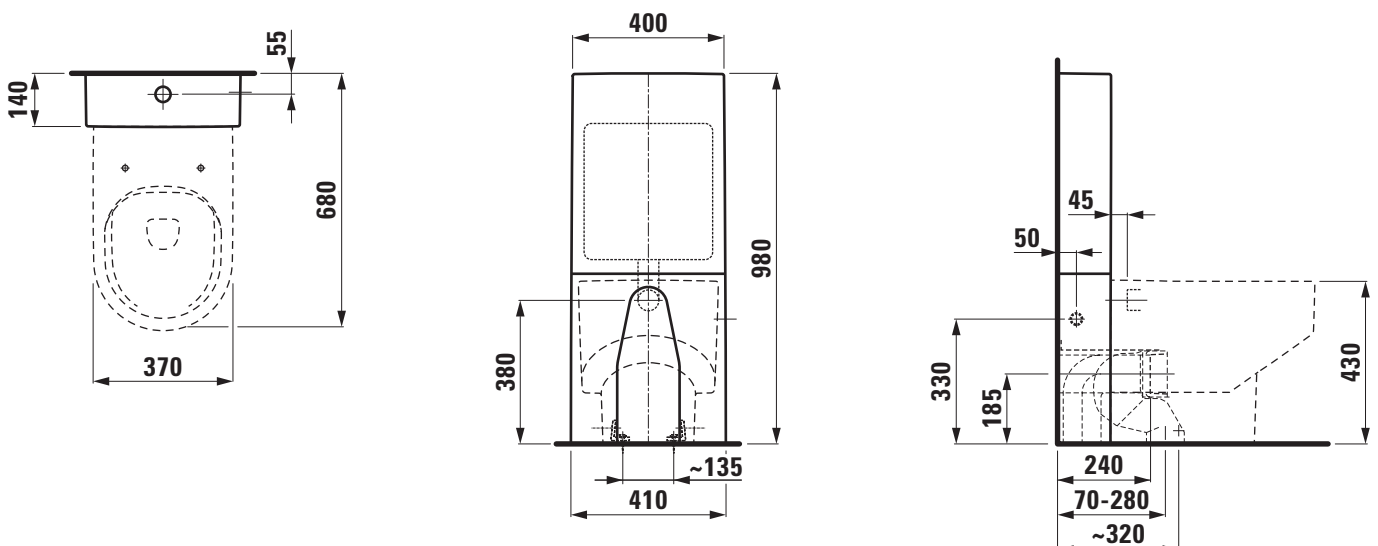
TECHNICAL DATA

Order no.	82966.4
Certified to	EN 14055
matching for	Floorstanding WC pan rimless, order no. 82334.1
Specification	Floorstanding, consisting of two-parts Flushing mechanism Dual-Flush Charge 884 – 6/3-l (5/3-l-flush, 4,5/3-l-flush)
Water inlet	bottom right, 1/2" plastic
Weight	21,0 kg
Mounting acc. incl.	Fastening kit
Mounting acc. excl.	for VARIO-outlet 70 - 220 mm LAUFEN-connection, order no. 89009.2 for VARIO-outlet 220 - 280 mm only LAUFEN-connection, order no. 89902.5 Angle valve for water inlet Water inlet hose
Colours	see colour table

SPECIFICATION TEXT

Floorstanding cistern, two-part Universal Laufen-SONAR, sanitary ceramic
EN 14055
dimensions 400/410 x 140 x 980 mm
Dual-Flush 6/3-l (5/3-l-flush, 4,5/3-l-flush)
water inlet bottom right, 1/2" plastic
matching floorstanding WC pan rimless, order no. 82334.1
Order no. 82966.4

TECHNICAL DRAWINGS / S 1 : 20





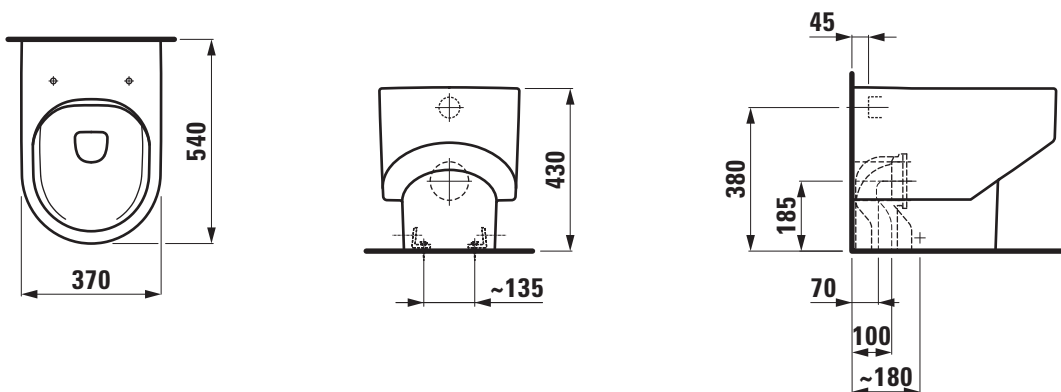
TECHNICAL DATA

Order no.	82334.1
Certified to	EN 997, EN 33
Specification	rimless Washdown for 4,5/3-l-flush back to wall
Outlet	horizontal vertical 70 and 100 mm
Weight	29,0 kg
Accessories excl.	Floorstanding cistern two-part Universal, order no. 82966.0, 82966.1, 82966.3, 82966.4 WC seat and cover with automatic lowering system, order no. 89334.1
Mounting acc. incl.	Device for fixing, order no. 89175.7
Mounting acc. excl.	for outlet vertical 70 mm LAUFEN-connection set, order no. 89009.2 for outlet vertical 100 mm LAUFEN-connection set, order no. 89902.7
Colours	see colour table

SPECIFICATION TEXT

Floorstanding WC pan rimless washdown Laufen-SONAR sanitary ceramic, for concealed cistern and floorstanding cistern two-part Universal
EN 997, EN 33, 4,5/3-l-flush, dimensions 370 x 540 x 430 mm, outlet horizontal, vertical 70 and 100 mm
back to wall, concealed trap, concealed fixation
Special feature: rimless, concealed surfaces directing water are fully glazed throughout, closed water rim, vacuum checked
Further options / accessories: Surface refinement LCC (only white), floorstanding cistern two-part Universal 82966.0, 82966.1, 82966.3, 82966.4, WC seat and cover with automatic lowering 89133.1
Order no. 82334.1

TECHNICAL DRAWINGS / S 1 : 20





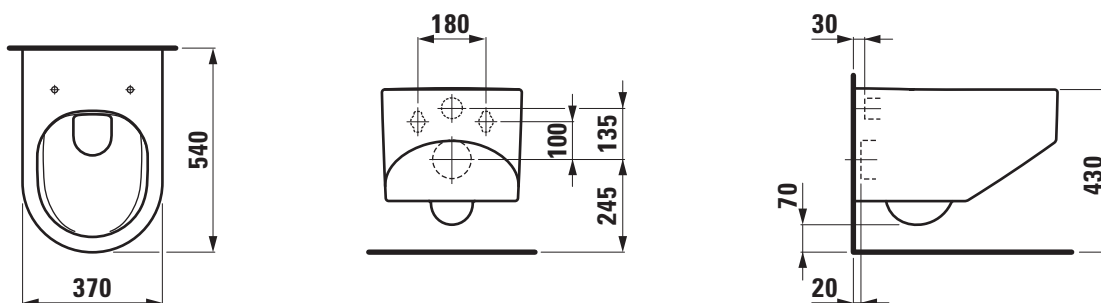
TECHNICAL DATA

Order no.	82034.1
Certified to	EN 997, EN 33
Specification	rimless Washdown for min. 4,5/3-l-flush
Weight	24,5 kg
Accessories excl.	Seat and cover with automatic lowering system, order no. 89334.1
Mounting acc. incl.	laufen EasyFit system M12, order no. 89282.7
Mounting acc. excl.	Stone screw fastening kit M12
Colours	see colour table

SPECIFICATION TEXT

Wallhung WC rimless washdown Laufen-SONAR, sanitary ceramic for concealed cistern
 EN 997, EN 33, min. 4,5/3-l-flush, dimensions 370 x 540 x 360 mm
 concealed trap, concealed fixation
 Special feature: rimless, concealed surfaces directing water are fully glazed throughout, vacuum checked
 Further options / accessories: Surface refinement LCC (only white), WC seat and cover with automatic lowering 89334.1
 Order no. 82034.1

TECHNICAL DRAWINGS / S 1 : 20



**Seat and cover with automatic lowering system
89334.1**



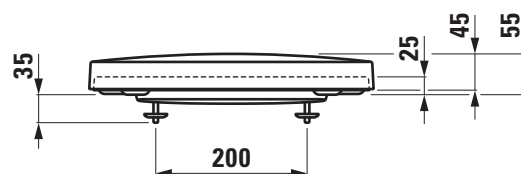
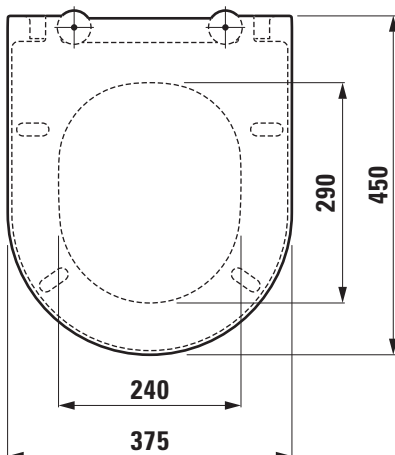
TECHNICAL DATA

Order no.	89334.1
matching for	Floorstanding WC pan rimless, order no. 82334.1 Wallhung WC rimless, order no. 82034.1
Specification	removable with automatic lowering system
Weight	2,5 kg
Mounting acc.	included
Colours	see colour table

SPECIFICATION TEXT

WC seat and cover Laufen-SONAR, Duroplast removable, automatic lowering system matching floorstanding WC pan rimless, order no. 82334.1, and wallhung WC rimless, order no. 82034.1
Order no. 89334.1

TECHNICAL DRAWINGS / S 1 : 10





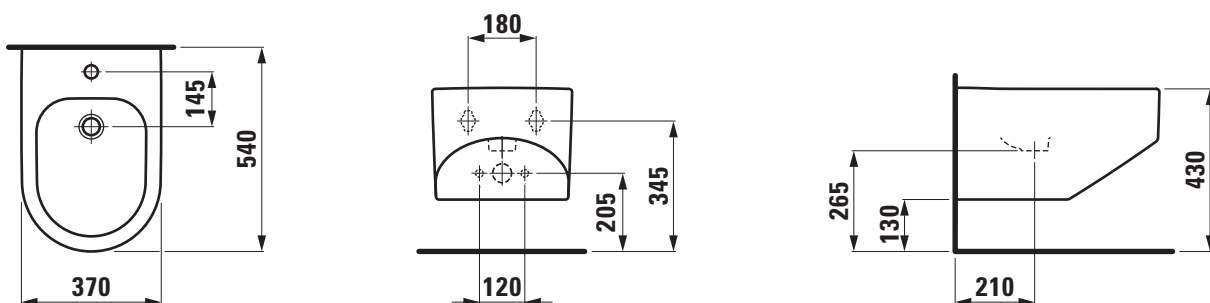
TECHNICAL DATA

Order no.	83034.1
Certified to	EN 35
Specification	Charge 302 – 1 centre tap hole without lateral holes
Weight	17,5 kg
Mounting acc. incl.	laufen EasyFit system M12, order no. 89282.7
Mounting acc. excl.	Siphon D40, order no. 89394.8 Stone screw fastening kit M12
Colours	see colour table

SPECIFICATION TEXT

Wallhung bidet Laufen-SONAR, sanitary ceramic
EN 35, dimensions 370 x 540 x 300 mm
1 centre tap hole
concealed trap, concealed fixation
Special feature: overflow channel glazed, vacuum checked
Further options: Surface refinement LCC (only white)
Order no. 83034.1

TECHNICAL DRAWINGS / S 1 : 20



IL BAGNO ALESSI ONE



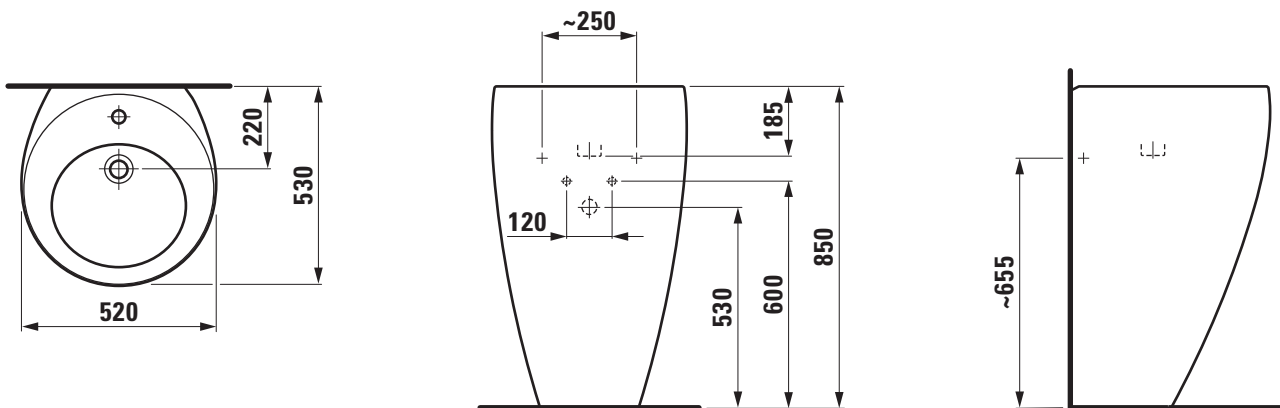
TECHNICAL DATA

Order no.	81197.1
Certified to	EN 31
Dimensions	520 x 530 mm
Inside dimensions of the basin	335 x 335 mm
Specification	Charge 104 – 1 centre tap hole
Special specification	Charge 109 – without tap hole
Weight	41,0 kg
Mounting acc. incl.	Charge 104 – waste and overflow system, order no. 89194.4 ceramic valve cover plate, order no. 89819.0 Charge 109 – valve without overflow always open, with ceramic valve cover plate, order no. 89818.4 Fixing set, order no. 89175.7
Mounting acc. excl.	flexible siphon LAUFEN, order no. 89497.5
Colours	see colour table

SPECIFICATION TEXT

Washbasin Laufen-IL BAGNO ALESSI ONE, sanitary ceramic EN 31
 dimensions 520 x 530 mm, round
 1 centre tap hole, concealed waste and overflow system, ceramic valve cover plate, with integrated pedestal
 Special feature: Surface refinement LCC (only white)
 Further options / accessories: without tap hole and with valve without overflow always open, bathtubs, furniture
 Order no. 81197.1

TECHNICAL DRAWINGS / S 1 : 20



SET IL BAGNO ALESSI ONE

Freestanding Washbasin

81197.2



TECHNICAL DATA

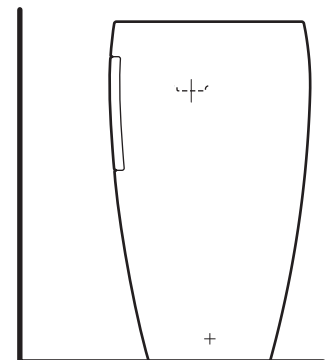
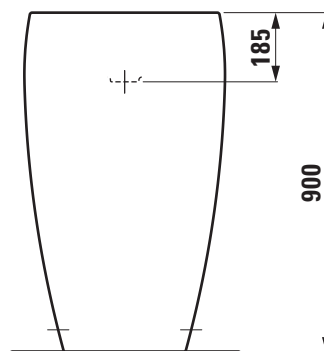
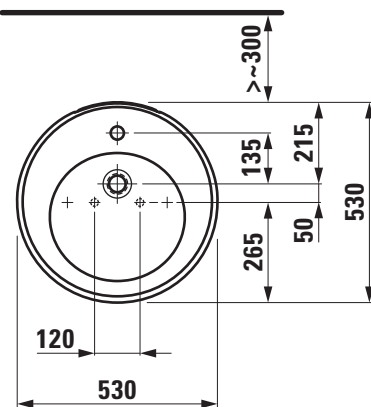
Order no.	81197.2
Certified to	EN 31
Dimensions	530 x 530 mm
Inside dimensions of the basin	335 x 335 mm
Specification	freestanding Charge 104 – 1 centre tap hole
Special specification	Charge 109 – without tap hole
Weight	49,0 kg
Accessories incl.	Ceramic cover plate, order no. 87097.1
Mounting acc. incl.	Charge 104 – waste and overflow system, order no. 89194.3 ceramic valve cover plate, order no. 89818.2 Charge 109 – valve without overflow always open, with ceramic valve cover plate, order no. 89818.4 Device for fixing M10, order no. 89280.6

Mounting acc. incl.	Installation set: waterinlet hose with valve, siphon and extensible pipe D40, order no. 89406.4 Base mat, order no. 89406.5
Colours	see colour table

SPECIFICATION TEXT

Freestanding washbasin Laufen-IL BAGNO ALESSI ONE, sanitary ceramic EN 31
dimensions 530 x 530 mm, round
1 centre tap hole, concealed waste and overflow system, ceramic valve cover plate, with integrated pedestal
Special feature: Surface refinement LCC (only white)
Further options / accessories: without tap hole and with valve without overflow always open, bathtubs, furniture
Order no. 81197.2

TECHNICAL DRAWINGS / S 1 : 20



SET IL BAGNO ALESSI ONE

Countertop basin, shelf right

81497.5



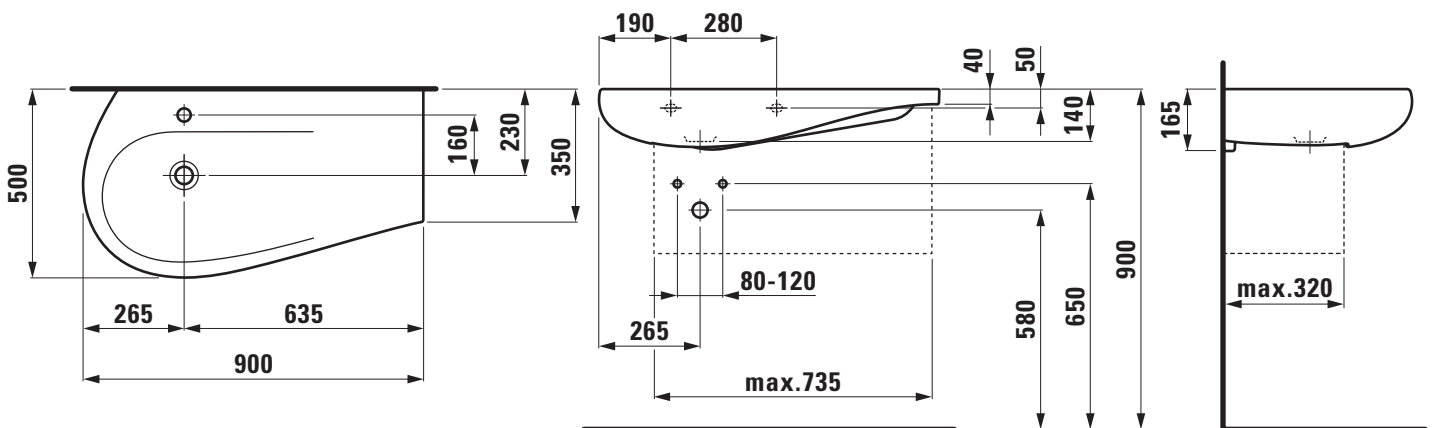
TECHNICAL DATA

Order no.	81497.5
Certified to	EN 31
Dimensions	900 x 500/350 mm
Inside dimensions of the basin	ca. 535 x 220 mm
Specification	Charge 104 – 1 tap hole
Special specification	Charge 109 – without tap hole
Weight	21,0 kg
Mounting acc. incl.	Charge 104 – waste and overflow system, order no. 89194.4 ceramic valve cover plate, order no. 89819.0 Charge 109 – valve without overflow always open, with ceramic valve cover plate, order no. 89818.4
Mounting acc. excl.	Mounting set M10 x 140 mm, order no. 89988.2 Siphon DN 32 chrome, order no. 89394.7
Colours	see colour table

SPECIFICATION TEXT

Countertop basin Laufen-IL BAGNO ALESSI ONE, sanitary ceramic EN 31
 dimensions 900 x 500/350 mm, asymmetric
 1 tap hole, concealed waste and overflow system, ceramic valve cover plate, with integrated shelf right
 Special feature: Surface refinement LCC (only white)
 Further options / accessories: without tap hole and with valve without overflow always open, bathtubs, furniture
 Order no. 81497.5

TECHNICAL DRAWINGS / S 1 : 20



SET IL BAGNO ALESSI ONE

Countertop basin, shelf left

81497.6



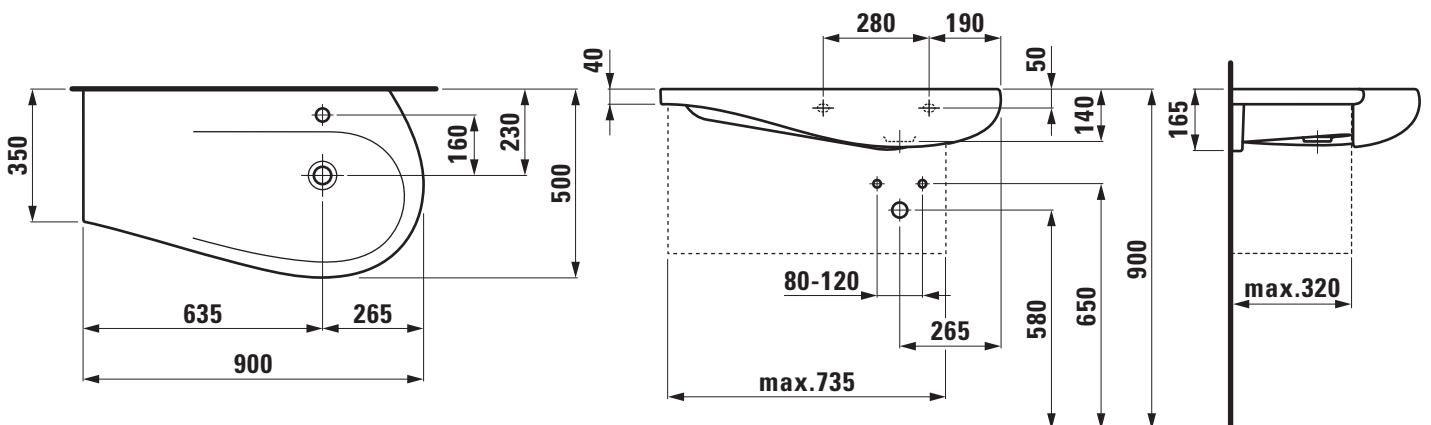
TECHNICAL DATA

Order no.	81497.6
Certified to	EN 31
Dimensions	900 x 500/350 mm
Inside dimensions of the basin	ca. 535 x 220 mm
Specification	Charge 104 – 1 tap hole
Special specification	Charge 109 – without tap hole
Weight	21,0 kg
Mounting acc. incl.	Charge 104 – waste and overflow system, order no. 89194.4 ceramic valve cover plate, order no. 89819.0 Charge 109 – valve without overflow always open, with ceramic valve cover plate, order no. 89818.4
Mounting acc. excl.	Mounting set M10 x 140 mm, order no. 89988.2 Siphon DN 32 chrome, order no. 89394.7
Colours	see colour table

SPECIFICATION TEXT

Countertop basin Laufen-IL BAGNO ALESSI ONE, sanitary ceramic EN 31
dimensions 900 x 500/350 mm, asymmetric
1 tap hole, concealed waste and overflow system, ceramic valve cover plate, with integrated shelf left
Special feature: Surface refinement LCC (only white)
Further options / accessories: without tap hole and with valve without overflow always open, bathtubs, furniture
Order no. 81497.6

TECHNICAL DRAWINGS / S 1 : 20



SET IL BAGNO ALESSI ONE

Countertop basin, shelf right

81497.3



TECHNICAL DATA

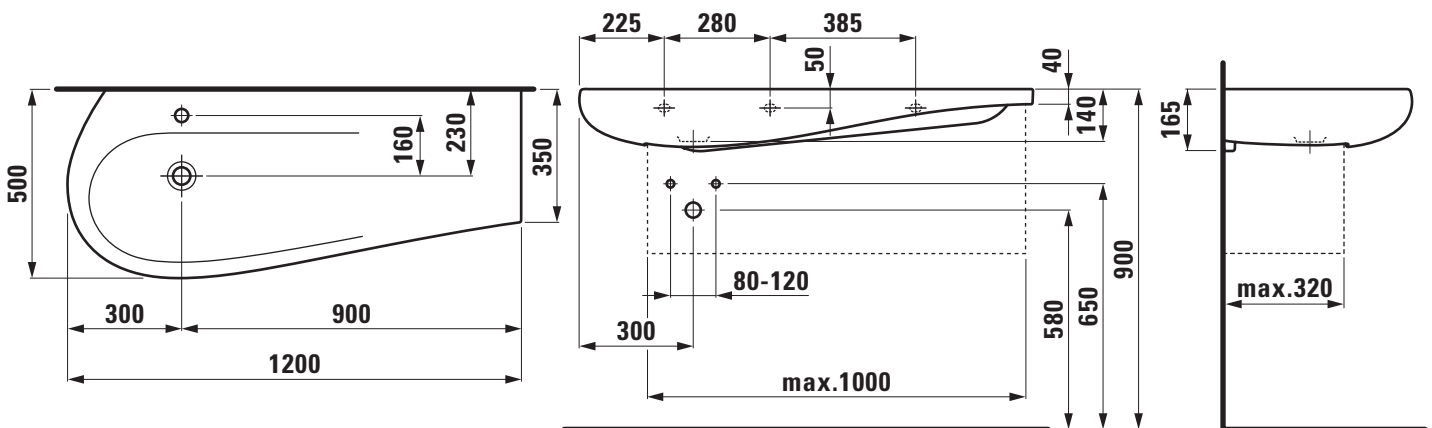
Order no.	81497.3
Certified to	EN 31
Dimensions	1200 x 500/350 mm
Inside dimensions of the basin	ca. 690 x 330 mm
Specification	Charge 104 – 1 tap hole
Special specification	Charge 109 – without tap hole
Weight	28,0 kg
Mounting acc. incl.	Charge 104 – waste and overflow system, order no. 89194.4 ceramic valve cover plate, order no. 89819.0 Charge 109 – valve without overflow always open, with ceramic valve cover plate, order no. 89818.4

Mounting acc. excl.	2x Mounting set M10 x 140 mm, order no. 89988.2 Siphon DN 32 chrome, order no. 89394.7
Colours	see colour table

SPECIFICATION TEXT

Countertop basin Laufen-IL BAGNO ALESSI ONE, sanitary ceramic EN 31
dimensions 1200 x 500/350 mm, asymmetric
1 tap hole, concealed waste and overflow system, ceramic valve cover plate, with integrated shelf right
Special feature: Surface refinement LCC (only white)
Further options / accessories: without tap hole and with valve without overflow always open, bathtubs, furniture
Order no. 81497.3

TECHNICAL DRAWINGS / S 1 : 20



SET IL BAGNO ALESSI ONE

Countertop basin, shelf left

81497.4



TECHNICAL DATA

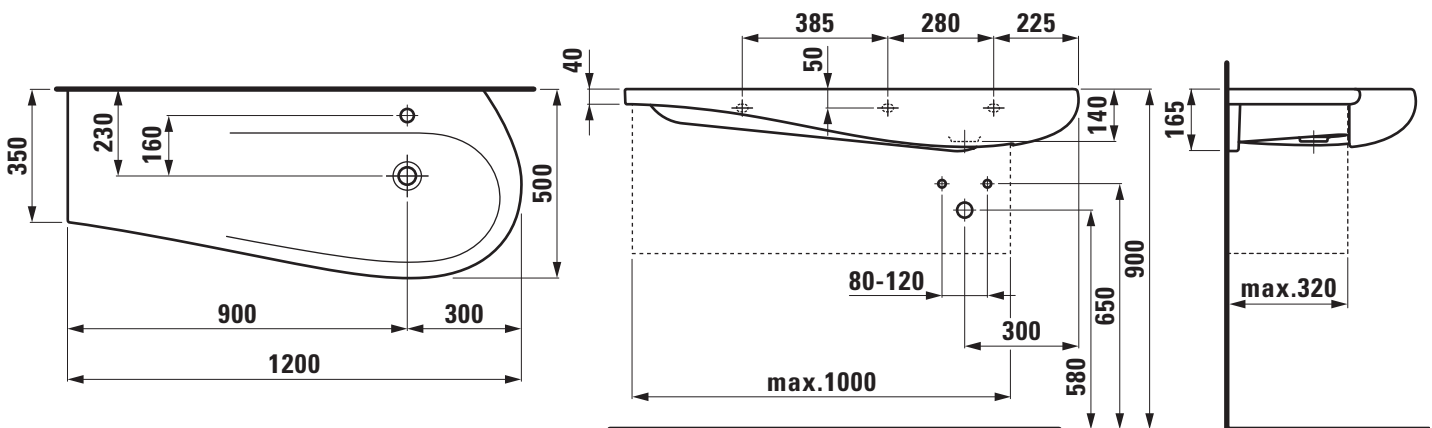
Order no.	81497.4
Certified to	EN 31
Dimensions	1200 x 500/350 mm
Inside dimensions of the basin	ca. 690 x 330 mm
Specification	Charge 104 – 1 tap hole
Special specification	Charge 109 – without tap hole
Weight	28,0 kg
Mounting acc. incl.	Charge 104 – waste and overflow system, order no. 89194.4 ceramic valve cover plate, order no. 89819.0 Charge 109 – valve without overflow always open, with ceramic valve cover plate, order no. 89818.4
Mounting acc. excl.	2x Mounting set M10 x 140 mm, order no. 89988.2 Siphon DN 32 chrome, order no. 89394.7

Colours see colour table

SPECIFICATION TEXT

Countertop basin Laufen-IL BAGNO ALESSI ONE, sanitary ceramic EN 31
dimensions 1200 x 500/350 mm, asymmetric
1 tap hole, concealed waste and overflow system, ceramic valve cover plate, with integrated shelf left
Special feature: Surface refinement LCC (only white)
Further options / accessories: without tap hole and with valve without overflow always open, bathtubs, furniture
Order no. 81497.4

TECHNICAL DRAWINGS / S 1 : 20



SET IL BAGNO ALESSI ONE

Countertop basin, shelf right

81497.1



TECHNICAL DATA

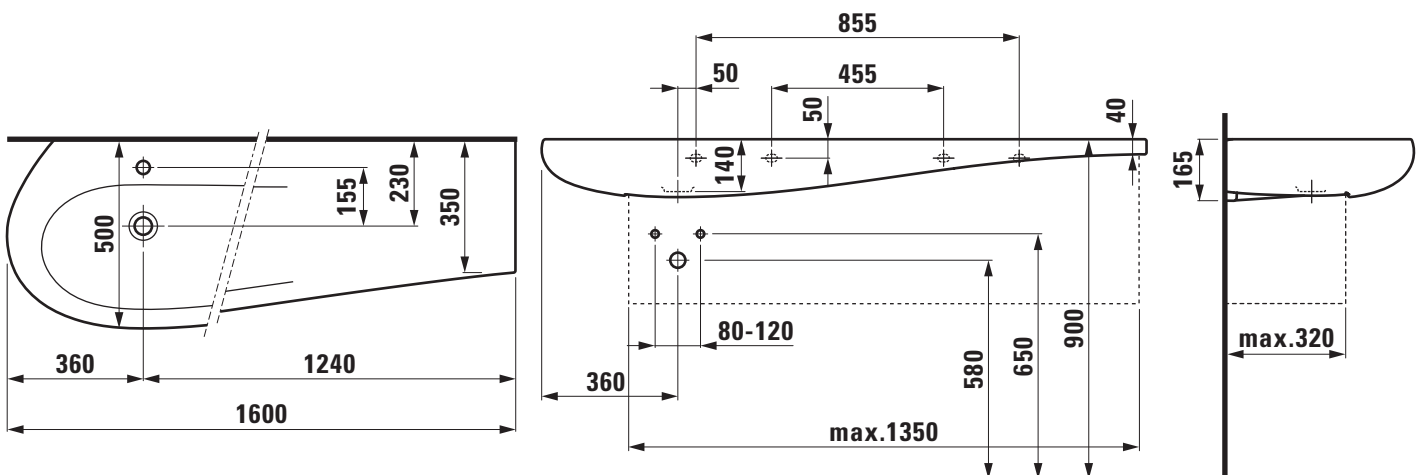
Order no.	81497.1
Certified to	EN 31
Dimensions	1600 x 500/350 mm
Inside dimensions of the basin	ca. 890 x 325 mm
Specification	Charge 104 – 1 tap hole
Special specification	Charge 109 – without tap hole
Weight	33,0 kg
Mounting acc. incl.	Charge 104 – waste and overflow system, order no. 89194.4 ceramic valve cover plate, order no. 89819.0 Charge 109 – valve without overflow always open, with ceramic valve cover plate, order no. 89818.4
Mounting acc. excl.	2x Mounting set M10 x 140 mm, order no. 89988.2 Siphon DN 32 chrome, order no. 89394.7

Colours see colour table

SPECIFICATION TEXT

Countertop basin Laufen-IL BAGNO ALESSI ONE, sanitary ceramic EN 31
dimensions 1600 x 500/350 mm, asymmetric
1 tap hole, concealed waste and overflow system, ceramic valve cover plate, with integrated shelf right
Special feature: Surface refinement LCC (only white)
Further options / accessories: without tap hole and with valve without overflow always open, bathtubs, furniture
Order no. 81497.1

TECHNICAL DRAWINGS / S 1 : 20



SET IL BAGNO ALESSI ONE

Washbasin bowl

81897.1



TECHNICAL DATA

Order no.	81897.1
Certified to	EN 31
Dimensions	520 x 520 mm
Inside dimensions of the basin	Ø 375 mm
Specification	Charge 104 – 1 centre tap hole
Special specification	Charge 109 – without tap hole
Weight	12,5 kg
Mounting acc. incl.	Charge 104 – waste and overflow system, order no. 89194.4 ceramic valve cover plate, order no. 89819.0 Charge 109 – valve without overflow always open, with ceramic valve cover plate, order no. 89818.4 Template, order no. 89197.8 Fixing set, order no. 89194.0

Mounting acc. excl. Siphon DN 32 chrome, order no. 89394.7

Colours see colour table

SPECIFICATION TEXT

Washbasin bowl Laufen-IL BAGNO ALESSI ONE, sanitary ceramic EN 31

dimensions 520 x 520 mm, round

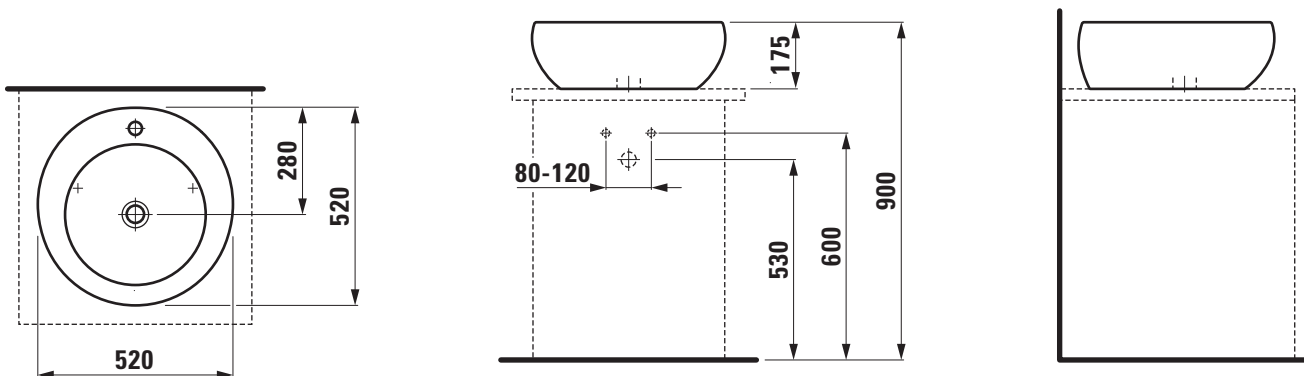
1 centre tap hole, concealed waste and overflow system, ceramic valve cover plate

Special feature: Surface refinement LCC (only white)

Further options / accessories: without tap hole and with valve without overflow always open, bathtubs, furniture

Order no. 81897.1

TECHNICAL DRAWINGS / S 1 : 20



SET IL BAGNO ALESSI ONE

Washbasin bowl

81897.2



TECHNICAL DATA

Order no.	81897.2
Certified to	EN 31
Dimensions	750 x 520 mm
Inside dimensions of the basin	ca. 575 x 350 mm
Specification	Charge 104 – 1 centre tap hole
Special specification	Charge 109 – without tap hole
Weight	13,0 kg
Mounting acc. incl.	Charge 104 – waste and overflow system, order no. 89194.4 ceramic valve cover plate, order no. 89819.0 Charge 109 – valve without overflow always open, with ceramic valve cover plate, order no. 89818.4 Template, order no. 89397.6 Fixing set, order no. 89194.0

Mounting acc. excl. Siphon DN 32 chrome, order no. 89394.7

Colours see colour table

SPECIFICATION TEXT

Washbasin bowl Laufen-IL BAGNO ALESSI ONE, sanitary ceramic EN 31

dimensions 750 x 520 mm, oval

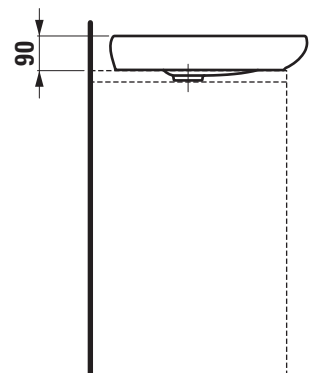
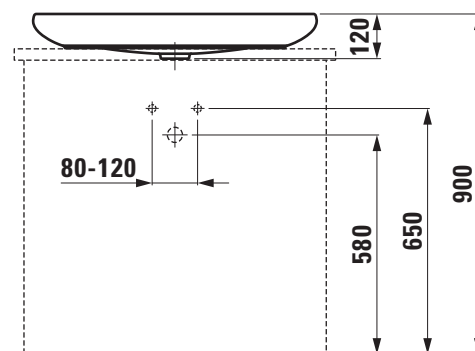
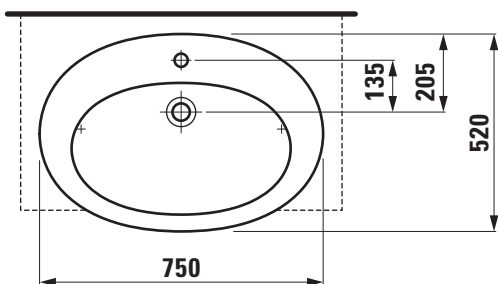
1 centre tap hole, concealed waste and overflow system, ceramic valve cover plate

Special feature: Surface refinement LCC (only white)

Further options / accessories: without tap hole and with valve without overflow always open, bathtubs, furniture

Order no. 81897.2

TECHNICAL DRAWINGS / S 1 : 20



SET IL BAGNO ALESSI ONE

Washbasin bowl, shelf right or left

81897.3



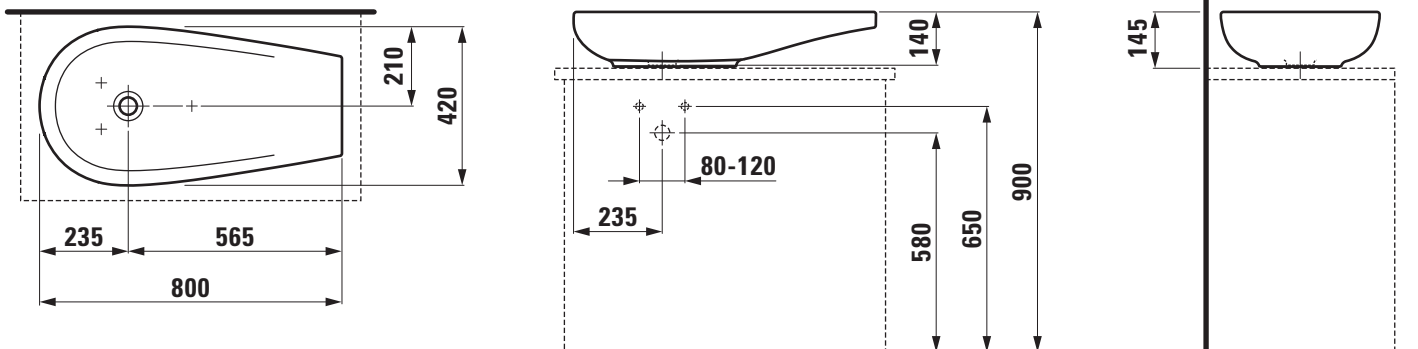
TECHNICAL DATA

Order no.	81897.3
Certified to	EN 31
Dimensions	800 x 420 mm
Inside dimensions of the basin	ca. 573 x 320 mm
Specification	Charge 112 – without tap hole without overflow
Weight	13,0 kg
Mounting acc. incl.	Template, order no. 89697.1 Fixing set, order no. 89496.2 Valve without overflow always open, with ceramic valve cover plate, order no. 89818.4
Mounting acc. excl.	Siphon DN 32 chrome, order no. 89394.7
Colours	see colour table

SPECIFICATION TEXT

Washbasin bowl Laufen-IL BAGNO ALESSI ONE, sanitary ceramic EN 31
dimensions 800 x 420 mm, asymmetric valve without overflow always open, with ceramic valve cover plate, with integrated shelf right or left
Special feature: Surface refinement LCC (only white)
Further options / accessories: without tap hole and with valve without overflow always open, bathtubs, furniture
Order no. 81897.3

TECHNICAL DRAWINGS / S 1 : 20





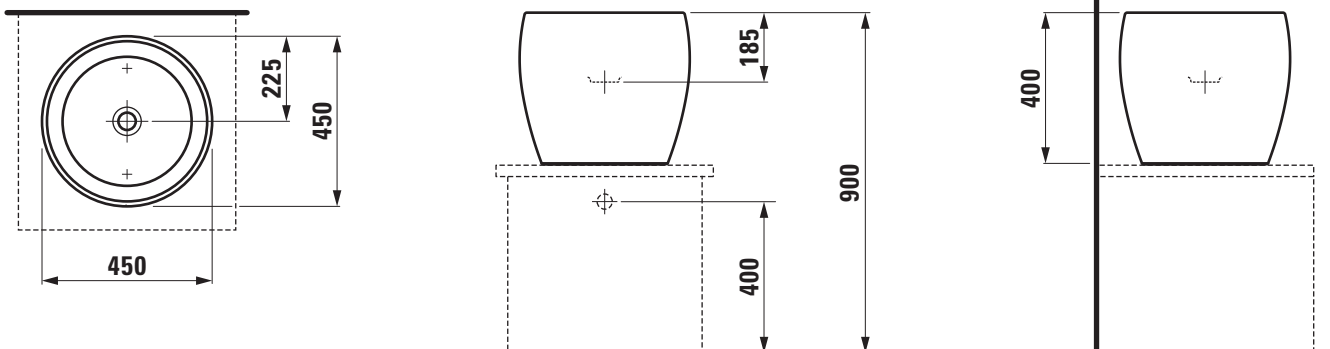
TECHNICAL DATA

Order no.	81197.3
Certified to	EN 31
Dimensions	450 x 450 mm
Inside dimensions of the basin	ca. Ø 340 mm
Specification	Charge 109 – without tap hole without overflow
Weight	19,0 kg
Mounting acc. incl.	Valve without overflow always open, with ceramic valve cover plate, order no. 89818.4 Template, order no. 89397.2 Fixing set, order no. 89194.0
Mounting acc. excl.	Siphon DN 32 white, with extended pipe order no. 89406.7 Siphon DN 32 chrome, with extended pipe, order no. 89394.7
Colours	see colour table

SPECIFICATION TEXT

Washbasin bowl Laufen-IL BAGNO ALESSI ONE, sanitary ceramic EN 31
 dimensions 450 x 450 mm, round
 without tap hole, valve without overflow always open, ceramic valve cover plate
 Special feature: Surface refinement LCC (only white)
 Further options / accessories: bathtubs, furniture
 Order no. 81197.3

TECHNICAL DRAWINGS / S 1 : 20



SET IL BAGNO ALESSI ONE

Floorstanding WC combination

82297.6



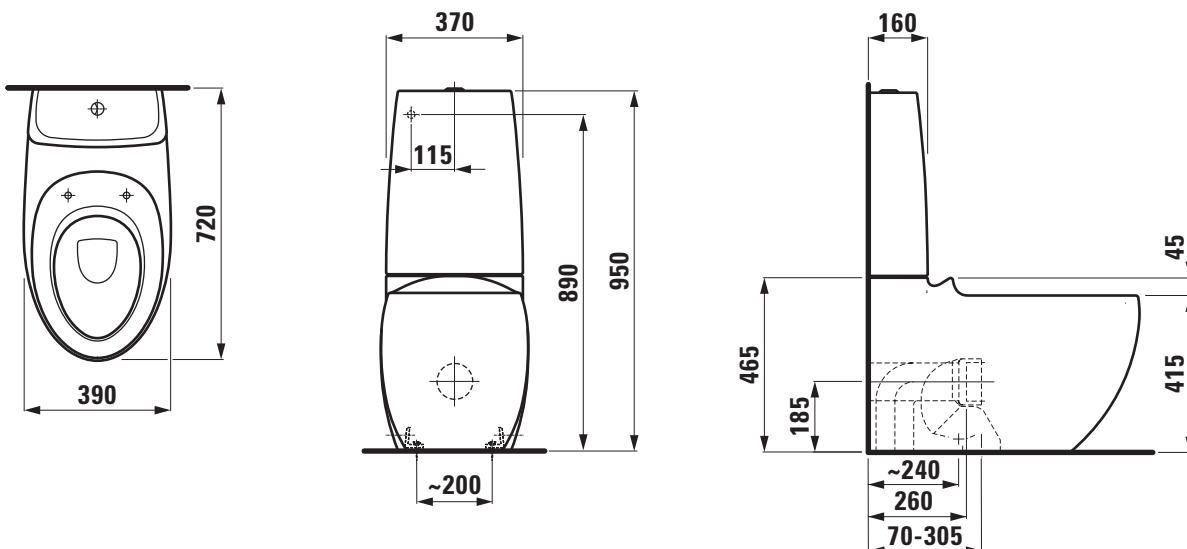
TECHNICAL DATA

Order no.	82297.6
Certified to	EN 997, EN 33
Specification	Washdown for min. 5.9/3-l-flush
Outlet	horizontal VARIO, vertical 70 - 305 mm
Weight	36,0 kg
Accessories excl.	Cistern, order no. 82697.1 WC seat and cover with automatic lowering system, order no. 89297.1
Mounting acc. incl.	Device for fixing, order no. 89175.7
Mounting acc. excl.	for VARIO outlet 70 - 220 mm use LAUFEN-connection set, order no. 89009.2 for VARIO outlet 220 - 305 mm use only LAUFEN-connection set, order no. 89902.5
Colours	see colour table

SPECIFICATION TEXT

Floorstanding WC pan washdown Laufen-IL BAGNO ALESSI ONE, sanitary ceramic, for cistern EN 997, EN 33, min. 5.9/3-l-flush, dimensions 390 x 720 x 460 mm, outlet horizontal, VARIO vertical 70 - 305 mm back to wall, concealed trap, concealed fixation
Special feature: Surface refinement LCC (only white), concealed surfaces directing water are fully glazed throughout, closed water rim, vacuum checked
Further options / accessories: cistern 82697.1, WC seat and cover with automatic lowering 89297.1
Order no. 82297.6

TECHNICAL DRAWINGS / S 1 : 20





TECHNICAL DATA

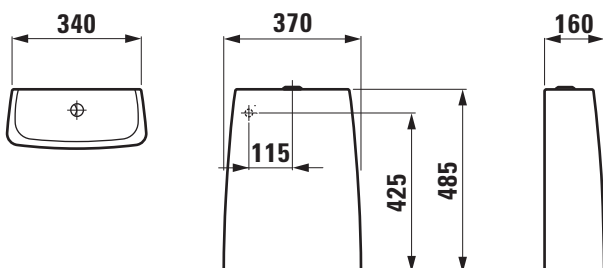
Order no.	82697.1
Certified to	EN 14055
matching for	Floorstanding WC pan order no. 82297.6
Specification	Flushing mechanism Dual-Flush With water condensation insulation Charge 880 – 6/3-l (4,5/3-l-flush)
Water inlet	rear 1/2"
Weight	10,0 kg
Mounting acc. incl.	Fastening kit Angle valve for rear water inlet Water inlet hose

Colours see colour table

SPECIFICATION TEXT

Cistern Laufen-IL BAGNO ALESSI ONE, sanitary ceramic EN 14055, dimensions 370 x 160 x 485 mm
Dual-Flush 6/3-l (4,5/3-l-flush)
water inlet rear 1/2"
matching floorstanding WC pan, order no. 82297.6
Special feature: Surface refinement LCC (only white), water condensation insulation
Order no. 82697.1

TECHNICAL DRAWINGS / S 1 : 20



SET IL BAGNO ALESSI ONE

Floorstanding WC pan 82197.1



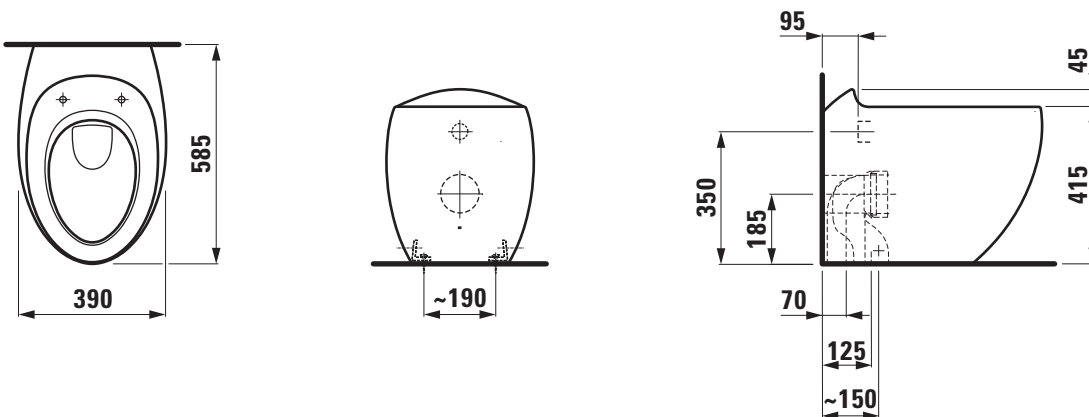
TECHNICAL DATA

Order no.	82197.1
Certified to	EN 997, EN 33
Specification	Washdown for 5/3-l-flush
Outlet	horizontal vertical 70 and 125 mm
Weight	29,5 kg
Accessories excl.	WC seat and cover with automatic lowering system, order no. 89297.1
Mounting acc. incl.	Device for fixing, order no. 89175.7
Mounting acc. excl.	for outlet vertical 70 mm LAUFEN-connection set, order no. 89009.2 for outlet vertical 125 mm LAUFEN-connection set, order no. 89902.7
Colours	see colour table

SPECIFICATION TEXT

Floorstanding WC pan washdown Laufen-IL BAGNO ALESSI ONE, sanitary ceramic, for concealed cistern
EN 997, EN 33, 5/3-l-flush, dimensions 390 x 585 x 460 mm
outlet horizontal, vertical 70 and 125 mm
back to wall, concealed trap, concealed fixation
Special feature: Surface refinement LCC (only white), concealed surfaces directing water are fully glazed throughout, closed water rim, vacuum checked
Further options / accessories: WC seat and cover with automatic lowering 89297.1
Order no. 82197.1

TECHNICAL DRAWINGS / S 1 : 20



SET IL BAGNO ALESSI ONE

Wallhung WC rimless

82097.1



TECHNICAL DATA

Order no.	82097.1
Certified to	EN 997, EN 33
Specification	rimless Washdown for min. 5/3-l-flush
Outlet	horizontal
Weight	24,5 kg
Accessories excl.	WC seat and cover with automatic lowering system, order no. 89297.1
Mounting acc. incl.	laufen EasyFit system M12, order no. 89282.7
Mounting acc. excl.	Stone screw fixing set M12
Colours	see colour table

SPECIFICATION TEXT

Wallhung WC rimless washdown Laufen-IL BAGNO ALESSI ONE, sanitary ceramic, for concealed cistern

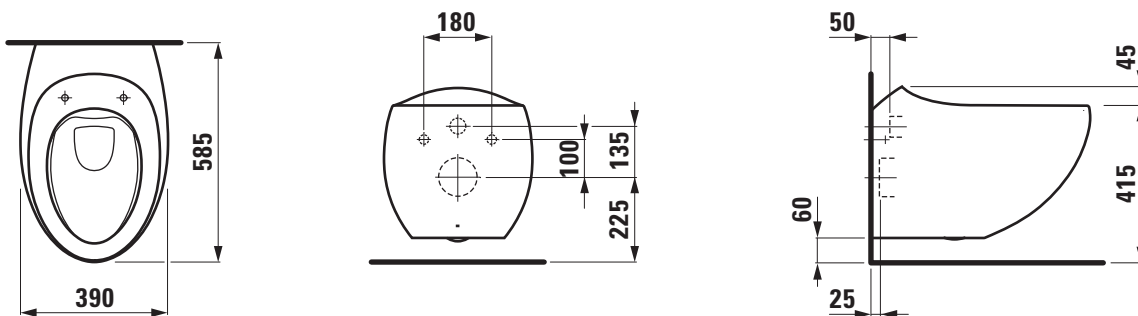
EN 997, EN 33, min. 5/3-l-flush, dimensions 390 x 585 x 400 mm concealed trap, concealed fixation

Special feature: Surface refinement LCC (only white), rimless, concealed surfaces directing water are fully glazed throughout, closed water rim, vacuum checked

Further options / accessories: WC seat and cover with automatic lowering 89297.1

Order no. 82097.1

TECHNICAL DRAWINGS / S 1 : 20



**WC Seat and cover with automatic lowering system
89297.1**



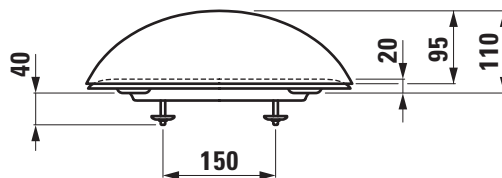
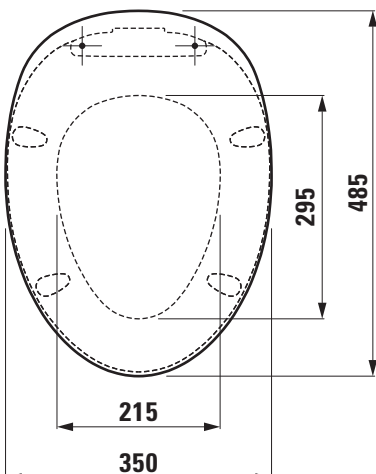
TECHNICAL DATA

Order no.	89297.1
matching for	Floorstanding WC pan order no. 82297.6, 82197.1 Wallhung WC pan order no. 82097.1
Specification	removable with automatic lowering system
Weight	2,8 kg
Mounting acc.	included
Colours	see colour table

SPECIFICATION TEXT

WC seat and cover Laufen-IL BAGNO ALESSI ONE, Duroplast removable, automatic lowering system matching floorstanding WC pan, order no. 82297.6, 82197.1 and wallhung WC pan, order no. 82097.1
Order no. 89297.1

TECHNICAL DRAWINGS / S 1 : 10



SET IL BAGNO ALESSI ONE

Floorstanding bidet

83297.1



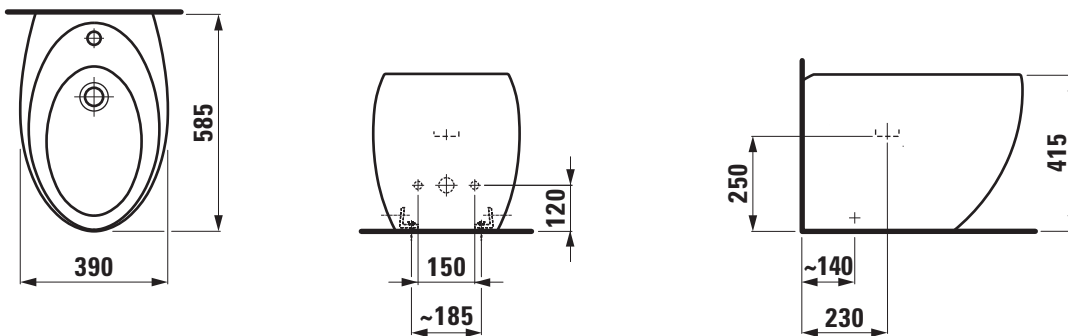
TECHNICAL DATA

Order no.	83297.1
Specification	Charge 304 - 1 centre tap hole
Weight	26,5 kg
Mounting acc. incl.	Waste and overflow system, order no. 89194.4 Ceramic valve cover plate, order no. 89819.0 Device for fixing, order no. 89175.7
Mounting acc. excl.	flexible siphon LAUFEN, order no. 89497.5 Siphon DN 40, order no. 89394.8
Colours	see colour table

SPECIFICATION TEXT

Floorstanding bidet Laufen-IL BAGNO ALESSI ONE, sanitary ceramic dimensions 390 x 585 x 415 mm
1 centre tap hole, concealed waste and overflow system, ceramic valve cover plate
back to wall, concealed trap, concealed fixation
Special feature: Surface refinement LCC (only white), vacuum checked
Order no. 83297.1

TECHNICAL DRAWINGS / S 1 : 20



SET IL BAGNO ALESSI ONE

Wallhung bidet 83097.1



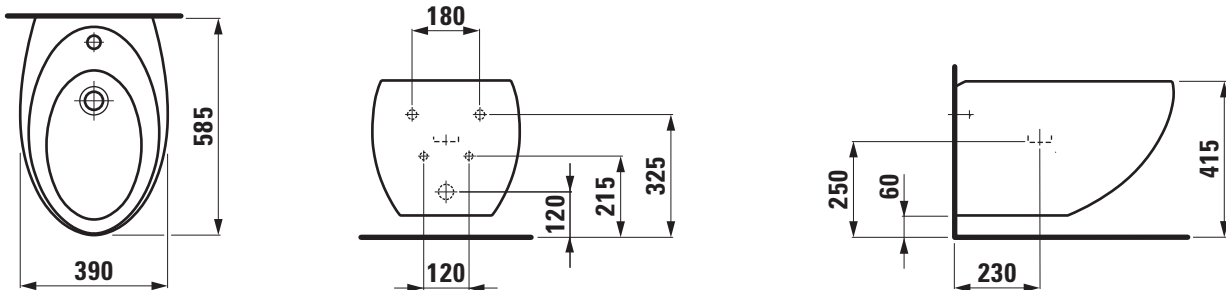
TECHNICAL DATA

Order no.	83097.1
Specification	Charge 304 – 1 centre tap hole
Weight	18,5 kg
Mounting acc. incl.	Waste and overflow system, order no. 89194.4 Ceramic valve cover plate, order no. 89819.0 laufen EasyFit system M12, order no. 89282.7
Mounting acc. excl.	Siphon DN 40, order no. 89394.8 Stone screw fixing set M12
Colours	see colour table

SPECIFICATION TEXT

Wallhung bidet Laufen-IL BAGNO ALESSI ONE, sanitary ceramic EN 36, dimensions 390 x 585 x 355 mm
1 centre tap hole, concealed waste and overflow system, ceramic valve cover plate
concealed fixation
Special feature: vacuum checked
Further options / accessories: Surface refinement LCC (only white), lateral mounting holes for water connection
Order no. 83097.1

TECHNICAL DRAWINGS / S 1 : 20





TECHNICAL DATA

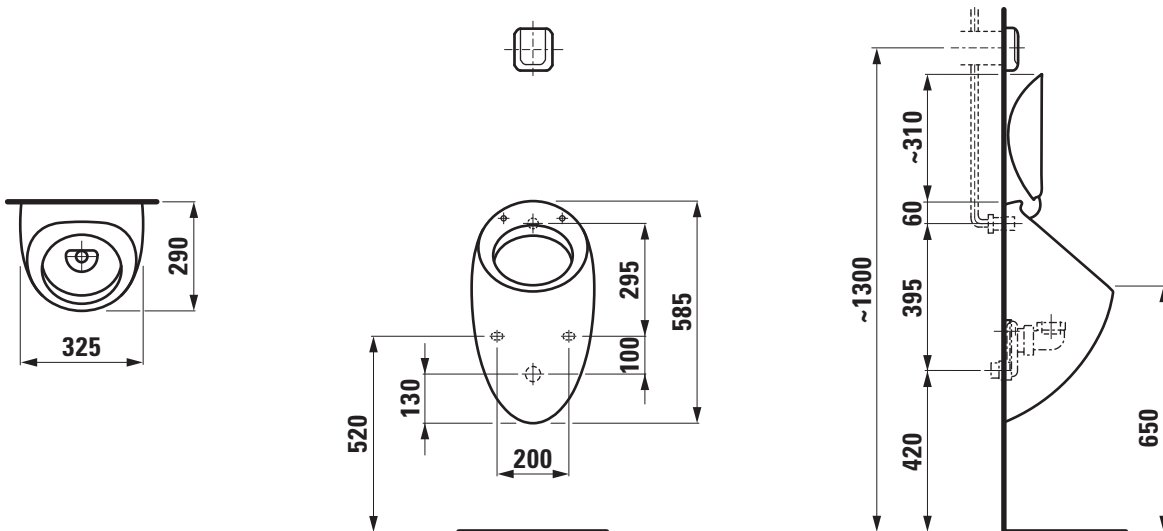
Order no.	84097.1
Certified to	EN 80, EN 13407
matching for	LIS CU2 Concealed frame for urinal without integrated control, order no. 89266.4
Specification	1-l flushing siphonic urinal Only to be used with cover only in combination with fixing set order no. 89280.8
Water inlet	concealed
Outlet	horizontal
Flushing	1 l
Flushing rate	minimum 0.3 l/s
Weight	10,0 kg
Accessories excl.	Urinal cover, order no. 89497.1
Mounting acc. incl.	Wall fixing set M8 LAUFEN, order no. 89280.8
Mounting acc. excl.	LIS CU2 horizontal inlet connection, order no. 89009.7 all siphons has to be used in combination with the outlet connection pipe (order no. 89497.3) 1-litre siphon with horizontal outlet DN 50 (standard Europe, except CH and UK), order no. 89418.1

Mounting acc. excl.	Stone screw fixing set M12 Changing set LAUFEN Stone screw fixing set M8 Adaption set for stone screws M10, order no. 89281.6 Adaption set for stone screws M12, order no. 89281.4
Colours	see colour table

SPECIFICATION TEXT

Siphonic urinal Laufen-IL BAGNO ALESSI ONE sanitary ceramic EN 80, EN 13407 dimensions 325 x 290 x 585 mm (with cover 895 mm) only to be used with cover 1-l flush, water inlet concealed, outlet horizontal, flushing rate minimum 0.3 l/s
Special feature: Surface refinement LCC (only white), vacuum and performance tested
Further options / accessories: LIS CU2 horizontal inlet connection, 1-litre siphon with horizontal outlet DN 50 (standard Europe, except CH and UK), urinal cover, LIS CU2 concealed frame for urinal without integrated control
Order no. 84097.1

TECHNICAL DRAWINGS / S 1 : 20



SET IL BAGNO ALESSI ONE

Urinal cover 89497.1



TECHNICAL DATA

Order no.	89497.1
matching for	Siphonic urinal, order no. 84097.1
Weight	0,8 kg
Mounting acc.	included
Colours	see colour table

SPECIFICATION TEXT

Urinal cover Laufen-IL BAGNO ALESSI ONE, Duroplast
matching urinal, order no. 84097.1
Order no. 89497.1

SET IL BAGNO ALESSI ONE

Siphonic urinal 84097.5



TECHNICAL DATA

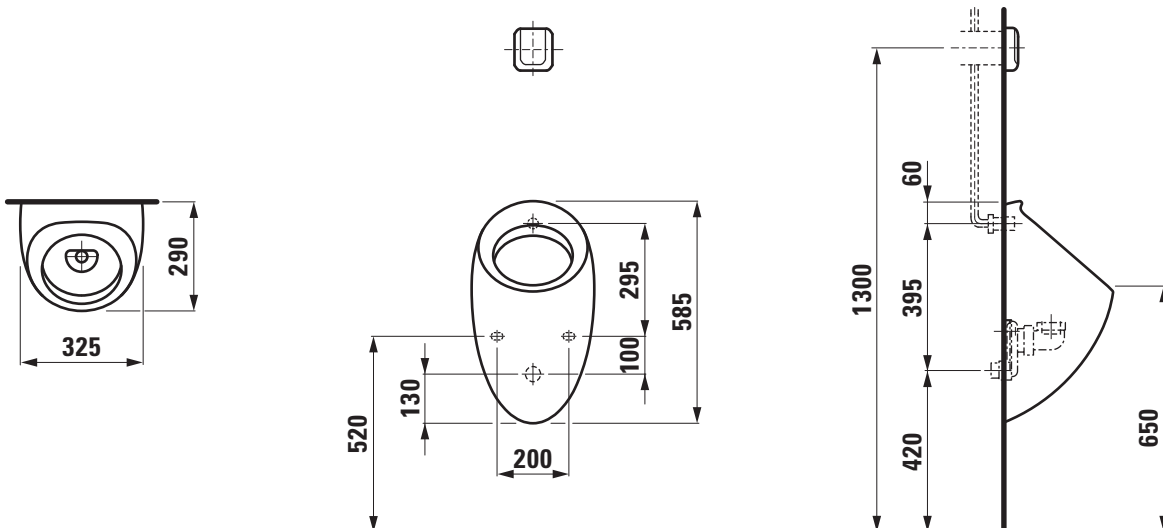
Order no.	84097.5
Certified to	EN 80, EN 13407
matching for	LIS CU2 Concealed frame for urinal without integrated control, order no. 89266.4
Specification	1-l flushing siphonic urinal only in combination with fixing set order no. 89280.8
Water inlet	concealed
Outlet	horizontal
Flushing	1 l
Flushing rate	minimum 0.3 l/s
Weight	10,0 kg
Mounting acc. incl.	Wall fixing set M8 LAUFEN, order no. 89280.8
Mounting acc. excl.	LIS CU2 horizontal inlet connection, order no. 89009.7 all siphons has to be used in combination with the outlet connection pipe (order no. 89497.3) 1-litre siphon with horizontal outlet DN 50 (standard Europe, except CH and UK), order no. 89418.1

Mounting acc. excl.	Stone screw fixing set M12 Changing set LAUFEN Stone screw fixing set M8 Adaption set for stone screws M10, order no. 89281.6 Adaption set for stone screws M12, order no. 89281.4
Colours	see colour table

SPECIFICATION TEXT

Siphonic urinal Laufen-IL BAGNO ALESSI ONE sanitary ceramic EN 80, EN 13407, dimensions 325 x 290 x 585 mm
1-l flush, water inlet concealed, outlet horizontal, flushing rate minimum 0.3 l/s
Special feature: Surface refinement LCC (only white), vacuum and performance tested
Further options / accessories: LIS CU2 horizontal inlet connection, 1-litre siphon with horizontal outlet DN 50 (standard Europe, except CH and UK), LIS CU2 concealed frame for urinal without integrated control
Order no. 84097.5

TECHNICAL DRAWINGS / S 1 : 20



PALOMBA COLLECTION

SET PALOMBA COLLECTION

Floorstanding washbasin with wall connection

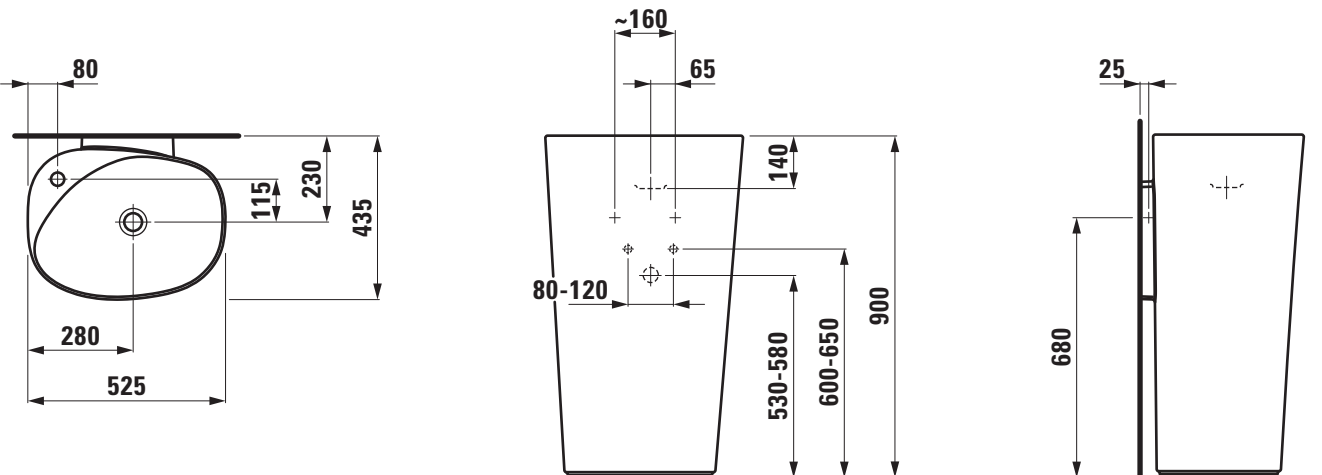
81180.4



TECHNICAL DATA

Order no.	81180.4	Mounting acc. excl.	Charge 104 – ceramic-plated vertical cover, order no. 89819.0
Certified to	EN 31		Charge 109 – valve without overflow always open, with ceramic valve cover plate, order no. 89818.4
Dimensions	525 x 435 mm		flexible siphon LAUFEN, order no. 89497.5
Specification	floorstanding with wall connection Charge 104 – 1 centre tap hole		
Special specification	Charge 109 – without tap hole	Colours	see colour table
Weight	48,0 kg	SPECIFICATION TEXT	
Mounting acc. incl.	Charge 104 – waste and overflow system, order no. 89194.4 chrome-plated cover, order no. 89194.9 Charge 109 – valve without overflow always open, order no. 89543.9 Fixing set, order no. 89175.5	Floorstanding washbasin with wall connection Laufen-PALOMBA COLLECTION, sanitary ceramic EN 31 dimensions 525 x 435 mm, asymmetric 1 tap hole, concealed waste and overflow system, chrome-plated cover, with integrated pedestal Special feature: Surface refinement LCC (only white) Further options / accessories: without tap hole and with valve without overflow always open, bathtubs, furniture Order no. 81180.4	

TECHNICAL DRAWINGS / S 1 : 20



SET PALOMBA COLLECTION

Freestanding washbasin

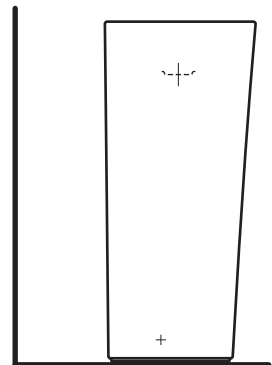
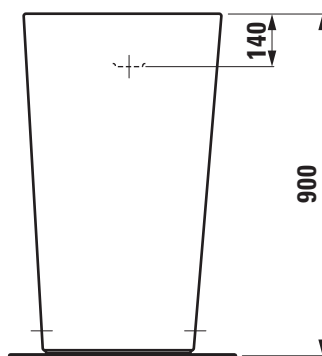
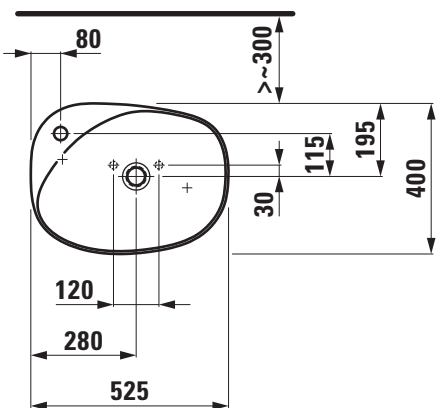
81180.3



TECHNICAL DATA

Order no.	81180.3	Mounting acc. excl.	Charge 104 – ceramic-plated vertical cover, order no. 89819.0
Certified to	EN 31		Charge 109 – valve without overflow always open, with ceramic valve cover plate, order no. 89818.4
Dimensions	525 x 400 mm	Colours	see colour table
Specification	freestanding Charge 104 – 1 tap hole	SPECIFICATION TEXT	
Special specification	Charge 109 – without tap hole	Freestanding washbasin Laufen-PALOMBA COLLECTION, sanitary ceramic	
Weight	47,0 kg	EN 31, dimensions 525 x 400 mm, asymmetric	
Accessories incl.	Cover plate, order no. 87080.1	1 tap hole, concealed waste and overflow system, chrome-plated cover, with integrated pedestal	
Mounting acc. incl.	Charge 104 – waste and overflow system, order no. 89194.4 chrome-plated cover, order no. 89194.9 Charge 109 – valve without overflow always open, order no. 89543.9 Device for fixing M10, order no. 89280.6 Installation set: waterinlet hose with valve, siphon and extensible pipe D40, order no. 89406.4 Base mat, order no. 89780.4	Special feature: Surface refinement LCC (only white) Further options / accessories: without tap hole and with valve without overflow always open, bathtubs, furniture	
		Order no. 81180.3	

TECHNICAL DRAWINGS / S 1 : 20



SET PALOMBA COLLECTION

Countertop basin 81480.4



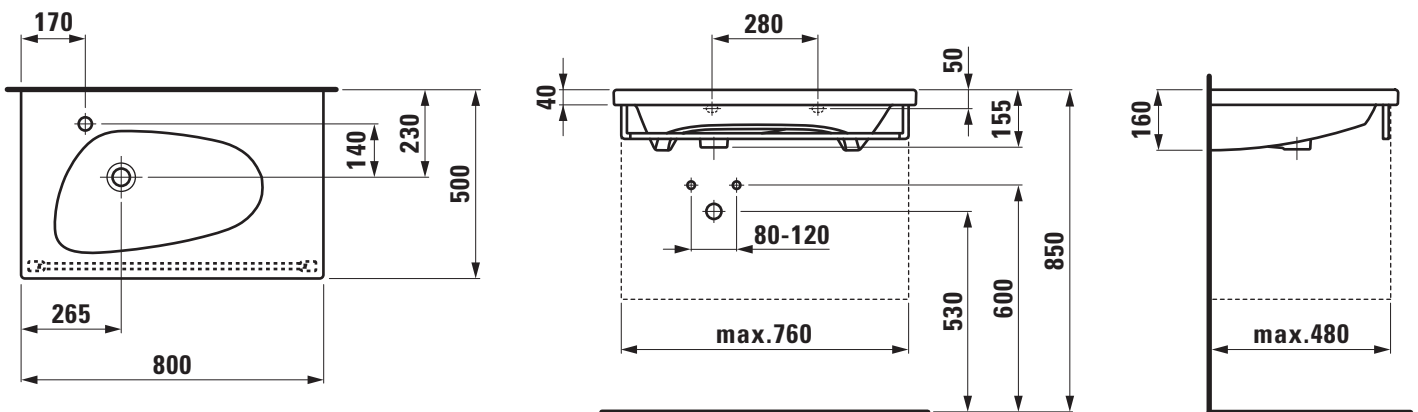
TECHNICAL DATA

Order no.	81480.4
Certified to	EN 31
Dimensions	800 x 500 mm
Specification	Always to be fixed to the wall. Charge 104 – 1 tap hole
Special specification	Charge 109 – without tap hole
Weight	19,0 kg
Accessories excl.	Towel rail, order no. 38180.1
Mounting acc. excl.	valve without overflow always open, with ceramic valve cover plate, order no. 89818.4 Mounting set M10 x 140 mm, order no. 89988.2
Colours	see colour table

SPECIFICATION TEXT

Countertop basin Laufen-PALOMBA COLLECTION, sanitary ceramic EN 31
 dimensions 800 x 500 mm, angular
 1 tap hole
 Special feature: overflow channel glazed
 Further options / accessories: Surface refinement LCC (only white),
 without tap holes, valve without overflow, towel rail 38180.1, bathtubs,
 furniture
 Order no. 81480.4

TECHNICAL DRAWINGS / S 1 : 20



SET PALOMBA COLLECTION

Countertop basin 81480.6



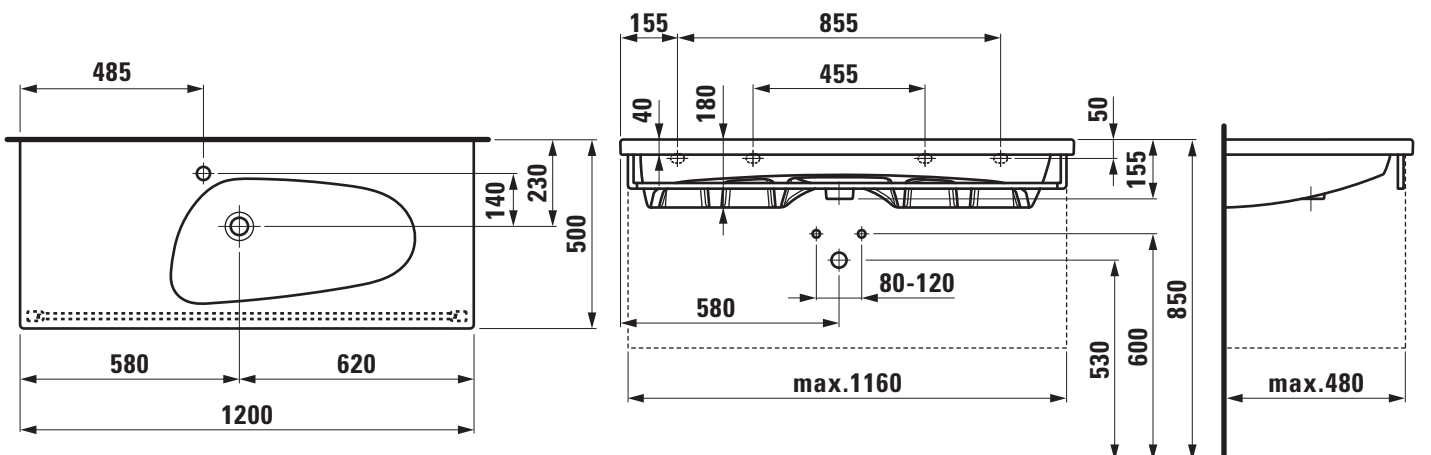
TECHNICAL DATA

Order no.	81480.6
Certified to	EN 31
Dimensions	1200 x 500 mm
Inside dimensions of the basin	620 x 310 mm
Specification	Always to be fixed to the wall. Charge 104 – 1 tap hole
Special specification	Charge 109 – without tap holes
Weight	38,0 kg
Accessories excl.	Towel rail, order no. 38180.2
Mounting acc. excl.	valve without overflow always open, with ceramic valve cover plate, order no. 89818.4 2x Mounting set M10 x 140 mm, order no. 89988.2
Colours	see colour table

SPECIFICATION TEXT

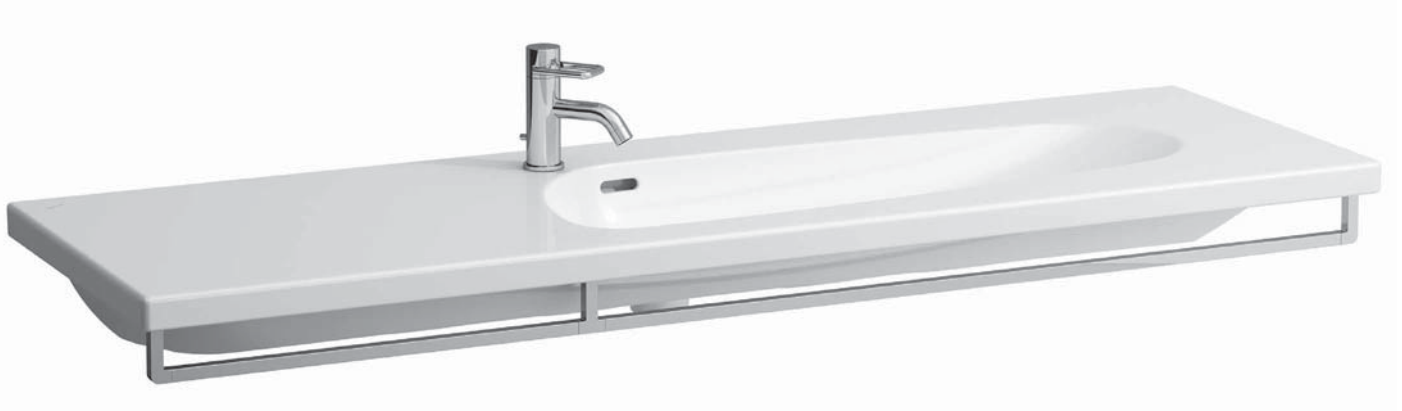
Countertop basin Laufen-PALOMBA COLLECTION, sanitary ceramic EN 31
 dimensions 1200 x 500 mm, angular
 1 tap hole
 Special feature: overflow channel glazed
 Further options / accessories: Surface refinement LCC (only white), without tap holes, valve without overflow, towel rail 38180.2, bathtubs, furniture
 Order no. 81480.6

TECHNICAL DRAWINGS / S 1 : 20



SET PALOMBA COLLECTION

Countertop basin 81480.8



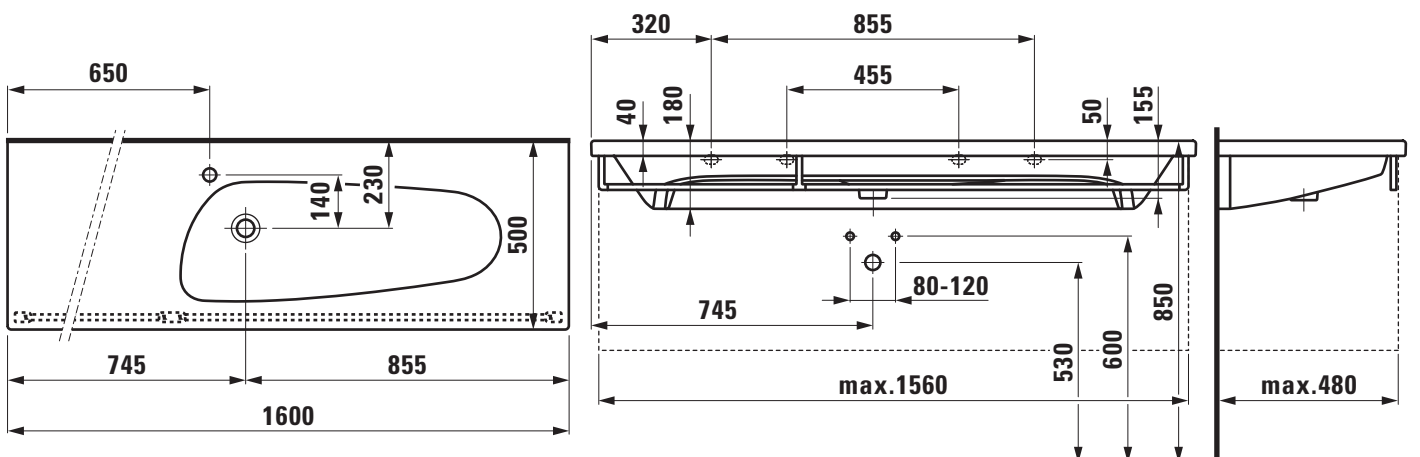
TECHNICAL DATA

Order no.	81480.8
Certified to	EN 31
Dimensions	1600 x 500 mm
Specification	Charge 104 – 1 tap hole
Special specification	Charge 109 – without tap hole
Weight	43,0 kg
Accessories excl.	Towel rail, order no. 38180.3
Mounting acc. excl.	valve without overflow always open, with ceramic valve cover plate, order no. 89818.4 2x Mounting set M10 x 140 mm, order no. 89988.2
Colours	see colour table

SPECIFICATION TEXT

Countertop basin Laufen-PALOMBA COLLECTION, sanitary ceramic EN 31
 dimensions 1600 x 500 mm, angular
 1 tap hole
 Special feature: overflow channel glazed
 Further options / accessories: Surface refinement LCC (only white),
 without tap holes, valve without overflow, towel rail 38180.3, bathtubs,
 furniture
 Order no. 81480.8

TECHNICAL DRAWINGS / S 1 : 20



SET PALOMBA COLLECTION

Double countertop basin

81480.9



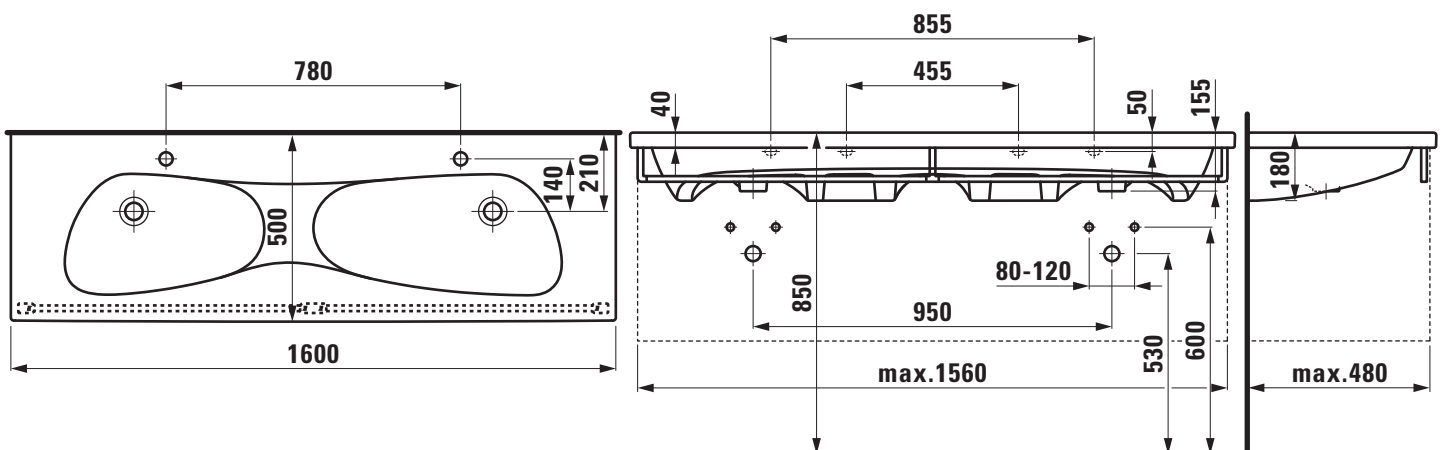
TECHNICAL DATA

Order no.	81480.9
Certified to	EN 14688
Dimensions	1600 x 500 mm
Inside dimensions of the basin	left 530 x 320 mm, right 660 x 320 mm
Specification	Charge 104 – per basin 1 tap hole
Special specification	Charge 109 – without tap holes
Weight	44,0 kg
Accessories excl.	Towel rail, order no. 38180.4
Mounting acc. excl.	valve without overflow always open, with ceramic valve cover plate, order no. 89818.4 2x Mounting set M10 x 140 mm, order no. 89988.2
Colours	see colour table

SPECIFICATION TEXT

Double countertop basin Laufen-PALOMBA COLLECTION, sanitary ceramic
EN 14688
dimensions 1600 x 500 mm, angular
per basin 1 tap hole
Special feature: overflow channel glazed
Further options / accessories: Surface refinement LCC (only white), without tap holes, valve without overflow, towel rail 38180.4, bathtubs, furniture
Order no. 81480.9

TECHNICAL DRAWINGS / S 1 : 20



SET PALOMBA COLLECTION

Washbasin bowl 81680.1



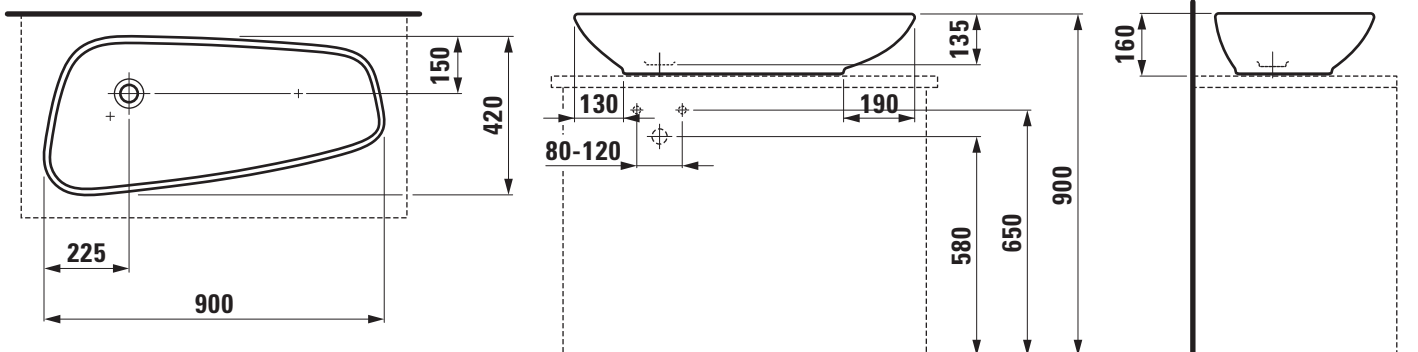
TECHNICAL DATA

Order no.	81680.1
Certified to	EN 31
Dimensions	900 x 420 mm
Specification	Charge 112 – without tap hole without overflow
Weight	15,0 kg
Mounting acc. incl.	Template, order no. 89793.3 Fixing set, order no. 89194.0
Mounting acc. excl.	valve without overflow always open, with chrome-plated vertical cover, order no. 89543.9 valve without overflow always open, with ceramic valve cover plate, order no. 89818.4 Siphon DN 32 chrome, order no. 89394.7
Colours	see colour table

SPECIFICATION TEXT

Washbasin bowl Laufen-PALOMBA COLLECTION, sanitary ceramic
EN 31
dimensions 900 x 420 mm, symmetric
without tap hole, without overflow
Further options / accessories: Surface refinement LCC (only white), valve
without overflow, bathtubs, furniture
Order no. 81680.1

TECHNICAL DRAWINGS / S 1 : 20



SET PALOMBA COLLECTION

Washbasin bowl 81680.2



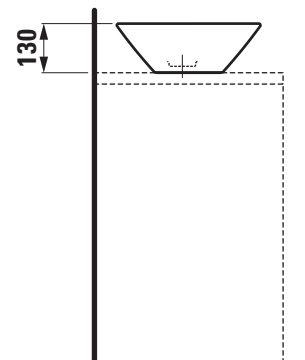
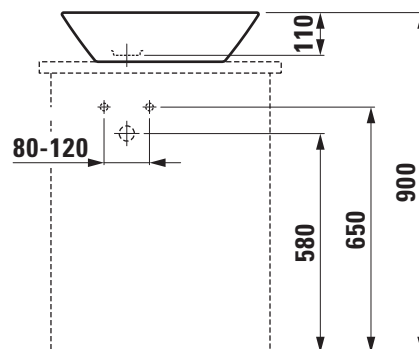
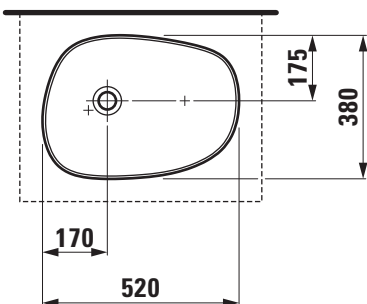
TECHNICAL DATA

Order no.	81680.2
Certified to	EN 31
Dimensions	520 x 380 mm
Specification	Charge 112 – without tap hole without overflow
Weight	7,0 kg
Mounting acc. incl.	Template, order no. 89581.7 Fixing set, order no. 89496.1
Mounting acc. excl.	valve without overflow always open, with chrome-plated vertical cover, order no. 89543.9 valve without overflow always open, with ceramic valve cover plate, order no. 89818.4 Siphon DN 32 chrome, order no. 89394.7
Colours	see colour table

SPECIFICATION TEXT

Washbasin bowl Laufen-PALOMBA COLLECTION, sanitary ceramic
EN 31
dimensions 520 x 380 mm, asymmetric
without tap hole, without overflow
Further options / accessories: Surface refinement LCC (only white), valve
without overflow, bathtubs, furniture
Order no. 81680.2

TECHNICAL DRAWINGS / S 1 : 20



SET PALOMBA COLLECTION

Washbasin bowl 81680.3



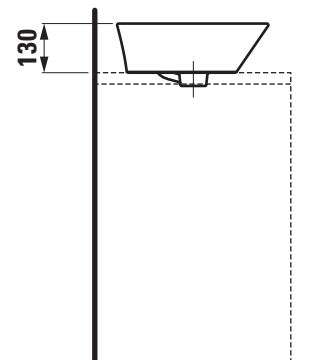
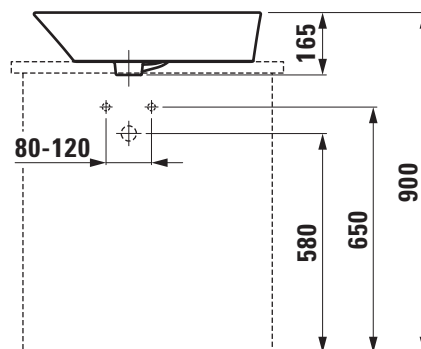
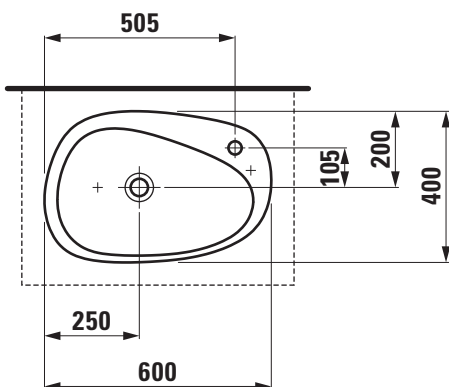
TECHNICAL DATA

Order no.	81680.3
Certified to	EN 31
Dimensions	600 x 400 mm
Specification	Charge 104 – 1 tap hole
Special specification	Charge 109 – without tap hole
Weight	10,0 kg
Mounting acc. incl.	Template, order no. 89681.8 Fixing set, order no. 89496.1
Mounting acc. excl.	valve without overflow always open, with ceramic valve cover plate, order no. 89818.4 Siphon DN 32 chrome, order no. 89394.7
Colours	see colour table

SPECIFICATION TEXT

Washbasin bowl Laufen-PALOMBA COLLECTION, sanitary ceramic EN 31
dimensions 600 x 400 mm, asymmetric
1 tap hole, with overflow
Special feature: overflow channel glazed
Further options / accessories: Surface refinement LCC (only white),
without tap hole with overflow, valve without overflow, bathtubs,
furniture
Order no. 81680.3

TECHNICAL DRAWINGS / S 1 : 20





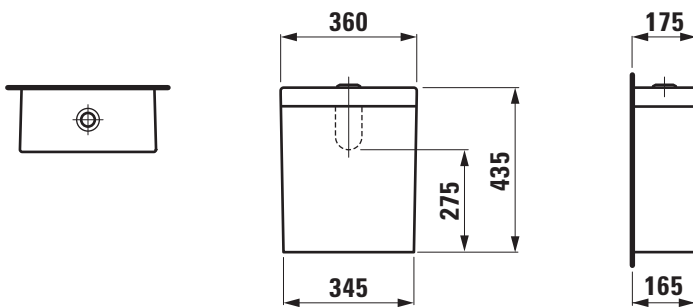
TECHNICAL DATA

Order no.	82880.1
Certified to	EN 14055
matching for	Floorstanding WC pan order no. 82480.1 / Charge 000
Specification	Flushing mechanism Dual-Flush With water condensation insulation: Charge 871 – 5/3-l (6/3-l-flush, 4,5/3-l-flush) Without water condensation insulation: Charge 874 – 5/3-l (6/3-l-flush, 4,5/3-l-flush)
Water inlet	rear, 1/2" brass
Weight	14,0 kg
Mounting acc. incl.	Fastening kit Angle valve for rear water inlet Water inlet hose
Colours	see colour table

SPECIFICATION TEXT

Cistern Laufen-PALOMBA COLLECTION / INO, sanitary ceramic EN 14055, dimensions 360 x 175 x 435 mm
Dual-Flush 5/3-l (6/3-l-flush, 4,5/3-l-flush)
water inlet rear, 1/2" brass
matching floorstanding WC pan, order no. 82480.1/option 000
Special feature: with or without water condensation insulation
Order no. 82880.1

TECHNICAL DRAWINGS / S 1 : 20





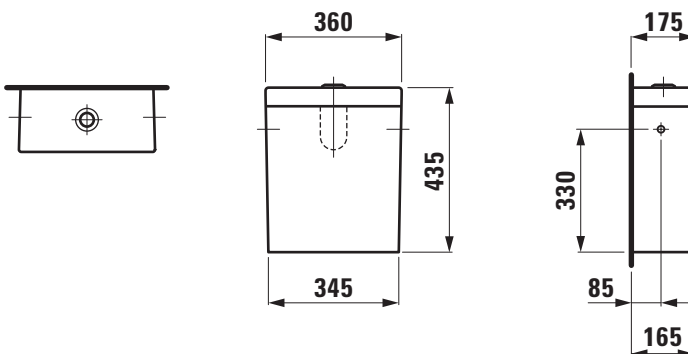
TECHNICAL DATA

Order no.	82880.2
Certified to	EN 14055
matching for	Floorstanding WC pan order no. 82480.1 / Charge 000
Specification	Flushing mechanism Dual-Flush With water condensation insulation: Charge 872 – 5/3-I (6/3-I-flush, 4,5/3-I-flush) Without water condensation insulation: Charge 876 – 5/3-I (6/3-I-flush, 4,5/3-I-flush)
Water inlet	side left, side right, 3/8" brass
Weight	14,0 kg
Mounting acc. incl.	Fastening kit
Mounting acc. excl.	Angle valve for water inlet Water inlet hose
Colours	see colour table

SPECIFICATION TEXT

Cistern Laufen-PALOMBA COLLECTION / INO, sanitary ceramic EN 14055, dimensions 360 x 175 x 435 mm
Dual-Flush 5/3-I (6/3-I-flush, 4,5/3-I-flush)
water inlet side left, side right, 3/8" brass
matching floorstanding WC pan, order no. 82480.1/option 000
Special feature: water condensation insulation
Order no. 82880.2

TECHNICAL DRAWINGS / S 1 : 20





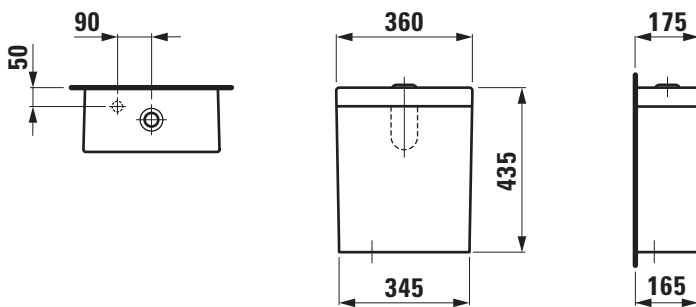
TECHNICAL DATA

Order no.	82880.3
matching for	Floorstanding WC pan order no. 82480.1 / Charge 231
Specification	Flushing mechanism Dual-Flush Without water condensation insulation Charge 873 – 5/3-l (6/3-l-flush, 4,5/3-l-flush)
Water inlet	bottom left, 1/2" plastic
Weight	14,0 kg
Mounting acc. incl.	Fastening kit
Mounting acc. excl.	Angle valve for water inlet Water inlet hose
Colours	see colour table

SPECIFICATION TEXT

Cistern Laufen-PALOMBA COLLECTION / INO, sanitary ceramic
dimensions 360 x 175 x 435 mm
Dual-Flush 5/3-l (6/3-l-flush, 4,5/3-l-flush)
water inlet bottom left, 1/2" plastic
matching floorstanding WC pan, order no. 82480.1/option 231
Special feature: without water condensation insulation
Order no. 82880.3

TECHNICAL DRAWINGS / S 1 : 20





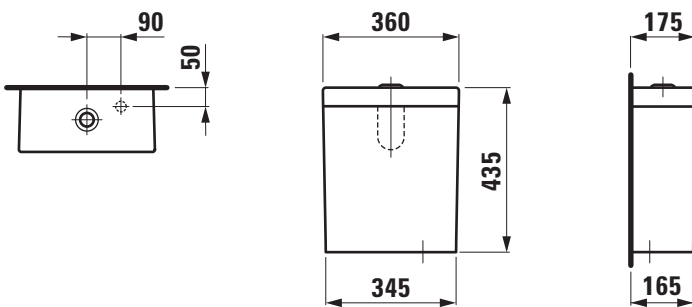
TECHNICAL DATA

Order no.	82880.5
matching for	Floorstanding WC pan order no. 82480.1 / Charge 231
Specification	Flushing mechanism Dual-Flush Without water condensation insulation Charge 873 – 5/3-l (6/3-l-flush, 4,5/3-l-flush)
Water inlet	bottom right, 1/2" plastic
Weight	14,0 kg
Mounting acc. incl.	Fastening kit
Mounting acc. excl.	Angle valve for water inlet Water inlet hose
Colours	see colour table

SPECIFICATION TEXT

Cistern Laufen-PALOMBA COLLECTION / INO, sanitary ceramic
dimensions 360 x 175 x 435 mm
Dual-Flush 5/3-l (6/3-l-flush, 4,5/3-l-flush)
water inlet bottom right, 1/2" plastic
matching floorstanding WC pan, order no. 82480.1/option 231
Special feature: without water condensation insulation
Order no. 82880.5

TECHNICAL DRAWINGS / S 1 : 20



SET PALOMBA COLLECTION / INO

Floorstanding cistern Universal for floorstanding WC pan 82866.0



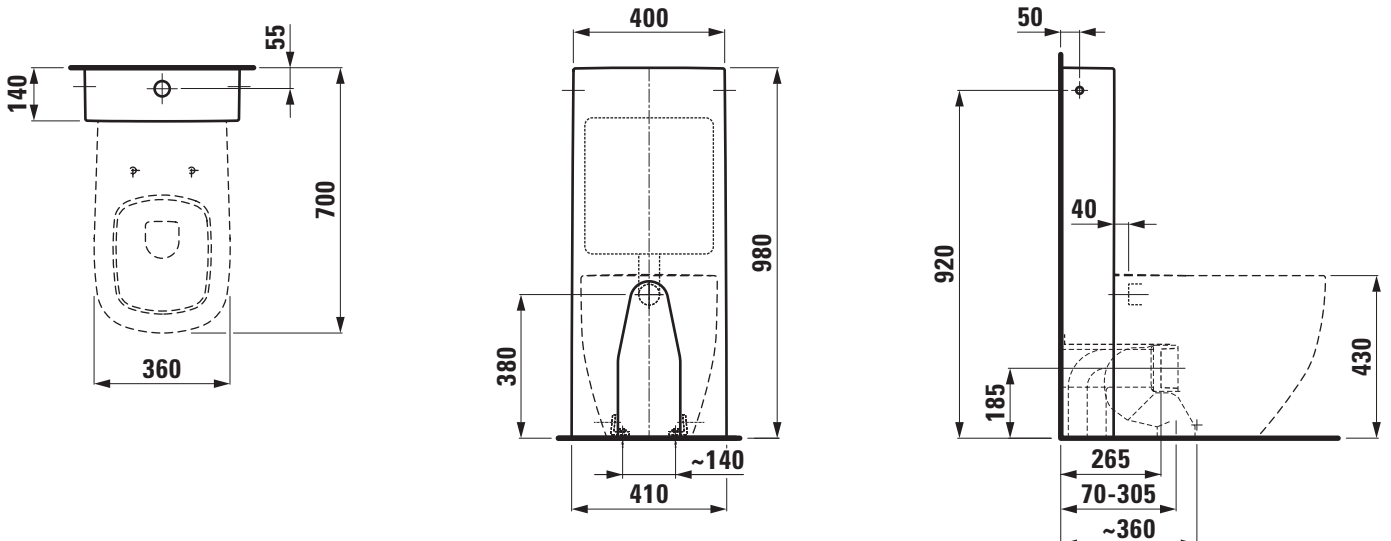
TECHNICAL DATA

Order no.	82866.0
Certified to	EN 14055
matching for	Floorstanding WC pan, order no. 82380.6
Specification	floorstanding Flushing mechanism Dual-Flush water condensation insulation Charge 882 – 6/3-l (5/3-l-flush, 4,5/3-l-flush)
Water inlet	side left, side right, 3/8" brass
Weight	21,5 kg
Mounting acc. incl.	Fastening kit
Mounting acc. excl.	for VARIO-outlet 70 - 220 mm LAUFEN-connection, order no. 89009.2 for VARIO-outlet 220 - 305 mm only LAUFEN-connection, order no. 89902.5 Angle valve for water inlet Water inlet hose
Colours	see colour table

SPECIFICATION TEXT

Floorstanding cistern Universal Laufen-PALOMBA COLLECTION / INO, sanitary ceramic
EN 14055
dimensions 400/410 x 140 x 980 mm
Dual-Flush 6/3-l (5/3-l-flush, 4,5/3-l-flush)
water inlet side left, side right, 3/8" brass
matching floorstanding WC pan, order no. 82380.6
Special feature: water condensation insulation
Order no. 82866.0

TECHNICAL DRAWINGS / S 1 : 20



SET PALOMBA COLLECTION / INO

Floorstanding cistern Universal for floorstanding WC pan 82866.1



TECHNICAL DATA

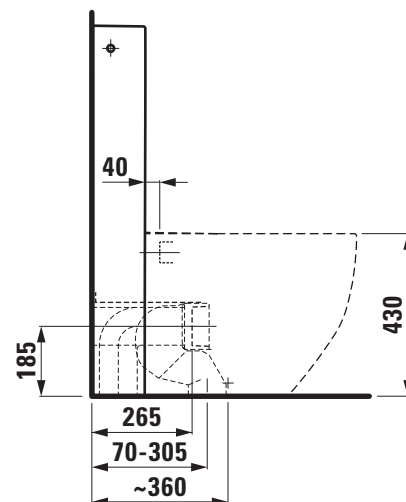
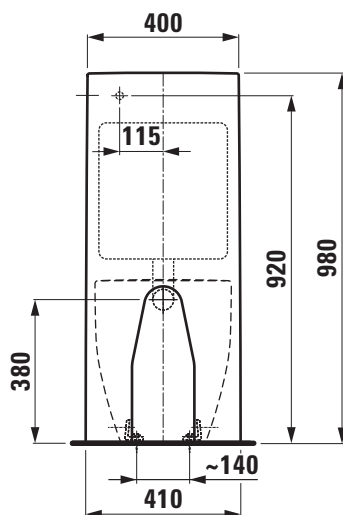
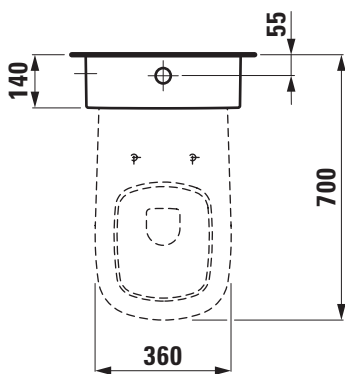
Order no.	82866.1
Certified to	EN 14055
matching for	Floorstanding WC pan, order no. 82380.6
Specification	floorstanding Flushing mechanism Dual-Flush water condensation insulation Charge 881 – 6/3-l (5/3-l-flush, 4,5/3-l-flush)
Water inlet	concealed top left rear, 1/2" brass
Weight	21,5 kg
Mounting acc. incl.	Fastening kit Angle valve for rear water inlet Water inlet hose

Mounting acc. excl.	for VARIO-outlet 70 - 220 mm LAUFEN-connection, order no. 89009.2 for VARIO-outlet 220 - 305 mm only LAUFEN-connection, order no. 89902.5
Colours	see colour table

SPECIFICATION TEXT

Floorstanding cistern Universal Laufen-PALOMBA COLLECTION / INO, sanitary ceramic
EN 14055
dimensions 400/410 x 140 x 980 mm
Dual-Flush 6/3-l (5/3-l-flush, 4,5/3-l-flush)
concealed water inlet top left rear, 1/2" brass
matching floorstanding WC pan, order no. 82380.6
Special feature: water condensation insulation
Order no. 82866.1

TECHNICAL DRAWINGS / S 1 : 20



SET PALOMBA COLLECTION / INO

Floorstanding cistern Universal for floorstanding WC pan 82866.3



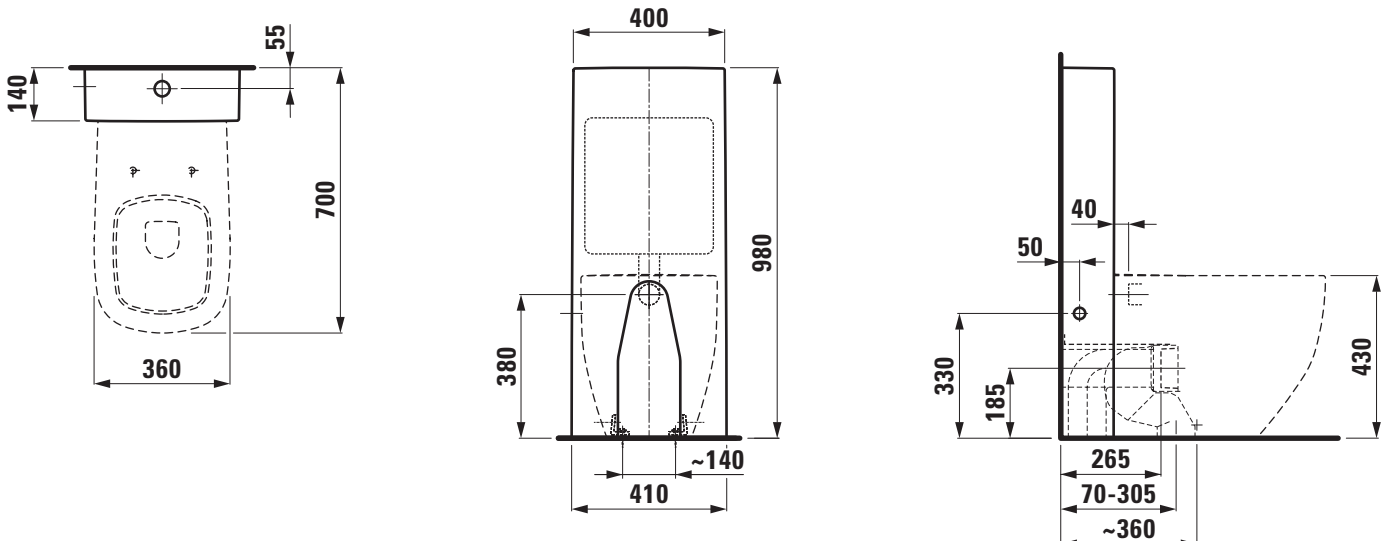
TECHNICAL DATA

Order no.	82866.3
Certified to	EN 14055
matching for	Floorstanding WC pan, order no. 82380.6
Specification	floorstanding Flushing mechanism Dual-Flush water condensation insulation Charge 883 – 6/3-l (5/3-l-flush, 4,5/3-l-flush)
Water inlet	bottom left, 1/2" plastic
Weight	21,5 kg
Mounting acc. incl.	Fastening kit
Mounting acc. excl.	for VARIO-outlet 70 - 220 mm LAUFEN-connection, order no. 89009.2 for VARIO-outlet 220 - 305 mm only LAUFEN-connection, order no. 89902.5 Angle valve for water inlet Water inlet hose
Colours	see colour table

SPECIFICATION TEXT

Floorstanding cistern Universal Laufen-PALOMBA COLLECTION / INO, sanitary ceramic
EN 14055
dimensions 400/410 x 140 x 980 mm
Dual-Flush 6/3-l (5/3-l-flush, 4,5/3-l-flush)
water inlet bottom left, 1/2" plastic
matching floorstanding WC pan, order no. 82380.6
Special feature: water condensation insulation
Order no. 82866.3

TECHNICAL DRAWINGS / S 1 : 20



SET PALOMBA COLLECTION / INO

Floorstanding cistern Universal for floorstanding WC pan 82866.4



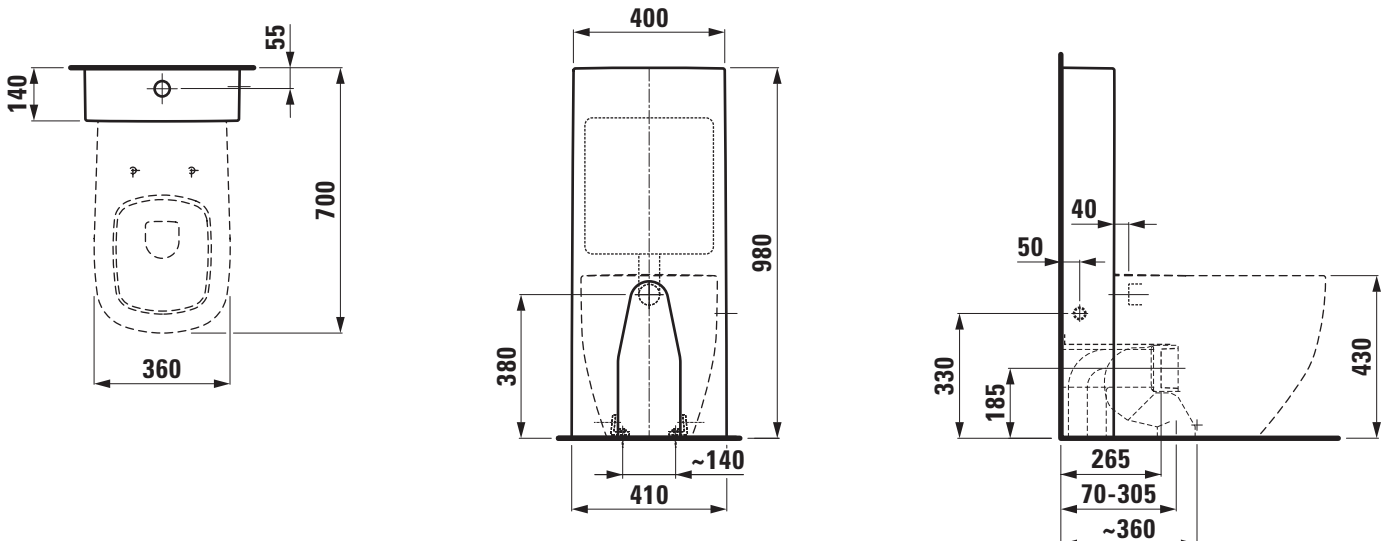
TECHNICAL DATA

Order no.	82866.4
Certified to	EN 14055
matching for	Floorstanding WC pan, order no. 82380.6
Specification	floorstanding Flushing mechanism Dual-Flush Charge 884 – 6/3-l (5/3-l-flush, 4,5/3-l-flush)
Water inlet	bottom right, 1/2" plastic
Weight	21,5 kg
Mounting acc. incl.	Fastening kit
Mounting acc. excl.	for VARIO-outlet 70 - 220 mm LAUFEN-connection, order no. 89009.2 for VARIO-outlet 220 - 305 mm only LAUFEN-connection, order no. 89902.5 Angle valve for water inlet Water inlet hose
Colours	see colour table

SPECIFICATION TEXT

Floorstanding cistern Universal Laufen-PALOMBA COLLECTION / INO, sanitary ceramic
EN 14055
dimensions 400/410 x 140 x 980 mm
Dual-Flush 6/3-l (5/3-l-flush, 4,5/3-l-flush)
water inlet bottom right, 1/2" plastic
matching floorstanding WC pan, order no. 82380.6
Order no. 82866.4

TECHNICAL DRAWINGS / S 1 : 20



Floorstanding cistern, two-part Universal for floorstanding WC pan
 82966.0



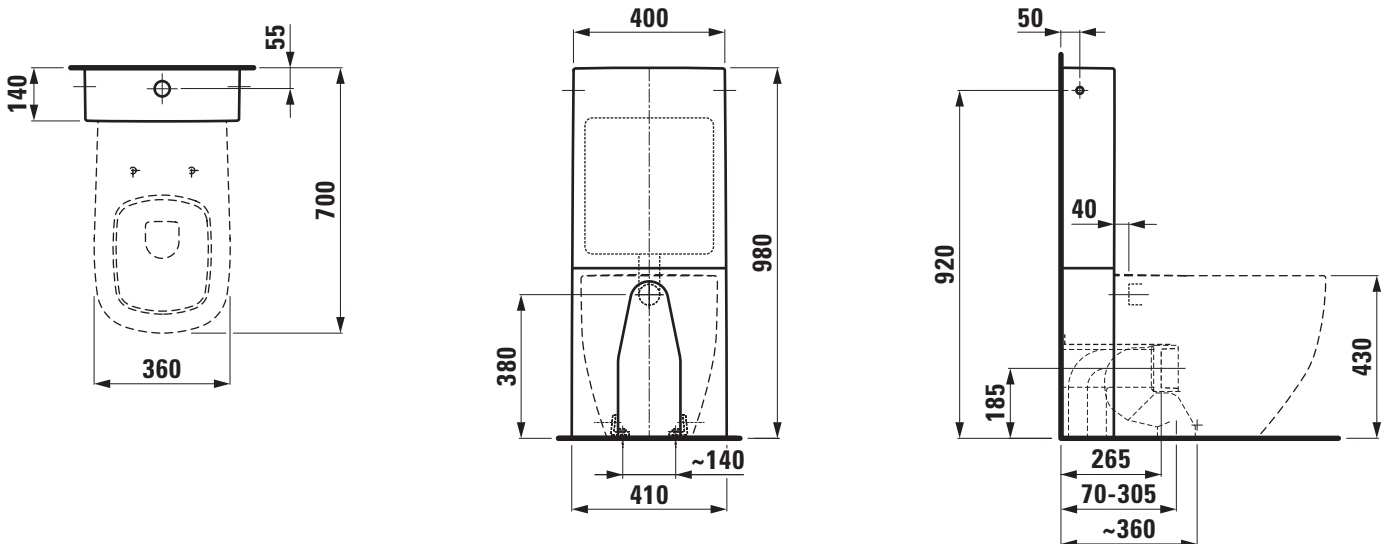
TECHNICAL DATA

Order no.	82966.0
Certified to	EN 14055
matching for	Floorstanding WC pan, order no. 82380.6
Specification	Floorstanding, consisting of two-parts Flushing mechanism Dual-Flush water condensation insulation Charge 882 – 6/3-l (5/3-l-flush, 4,5/3-l-flush)
Water inlet	side left, side right, 3/8" brass
Weight	21,0 kg
Mounting acc. incl.	Fastening kit
Mounting acc. excl.	for VARIO-outlet 70 - 220 mm LAUFEN-connection, order no. 89009.2 for VARIO-outlet 220 - 305 mm only LAUFEN-connection, order no. 89902.5 Angle valve for water inlet Water inlet hose
Colours	see colour table

SPECIFICATION TEXT

Floorstanding cistern, two-part Universal
 Laufen-PALOMBA COLLECTION / INO, sanitary ceramic
 EN 14055
 dimensions 400/410 x 140 x 980 mm
 Dual-Flush 6/3-l (5/3-l-flush, 4,5/3-l-flush)
 water inlet side left, side right, 3/8" brass
 matching floorstanding WC pan, order no. 82380.6
 Special feature: water condensation insulation
 Order no. 82966.0

TECHNICAL DRAWINGS / S 1 : 20



Floorstanding cistern, two-part Universal for floorstanding WC pan
82966.1



TECHNICAL DATA

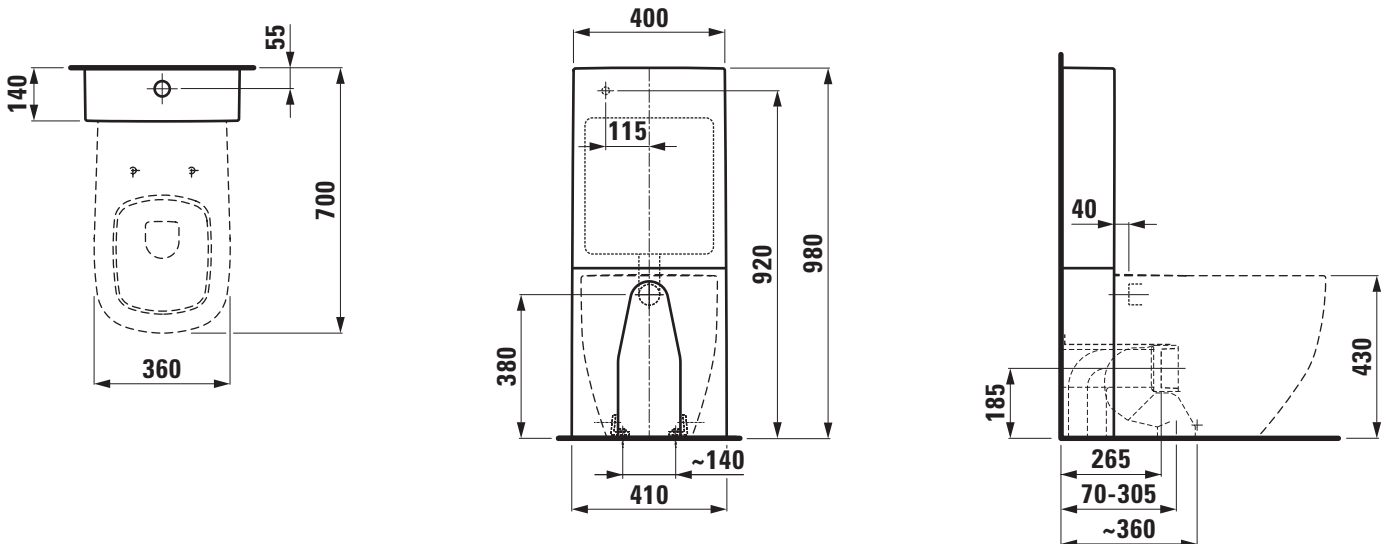
Order no.	82966.1
Certified to	EN 14055
matching for	Floorstanding WC pan, order no. 82380.6
Specification	Floorstanding, consisting of two-parts Flushing mechanism Dual-Flush water condensation insulation Charge 881 – 6/3-l (5/3-l-flush, 4,5/3-l-flush)
Water inlet	concealed top left rear, 1/2" brass
Weight	21,0 kg
Mounting acc. incl.	Fastening kit Angle valve for rear water inlet Water inlet hose

Mounting acc. excl.	for VARIO-outlet 70 - 220 mm LAUFEN-connection, order no. 89009.2 for VARIO-outlet 220 - 305 mm only LAUFEN-connection, order no. 89902.5
Colours	see colour table

SPECIFICATION TEXT

Floorstanding cistern, two-part Universal
 Laufen-PALOMBA COLLECTION / INO, sanitary ceramic
 EN 14055
 dimensions 400/410 x 140 x 980 mm
 Dual-Flush 6/3-l (5/3-l-flush, 4,5/3-l-flush)
 concealed water inlet top left rear, 1/2" brass
 matching floorstanding WC pan, order no. 82380.6
 Special feature: water condensation insulation
 Order no. 82966.1

TECHNICAL DRAWINGS / S 1 : 20



Floorstanding cistern, two-part Universal for floorstanding WC pan

82966.3



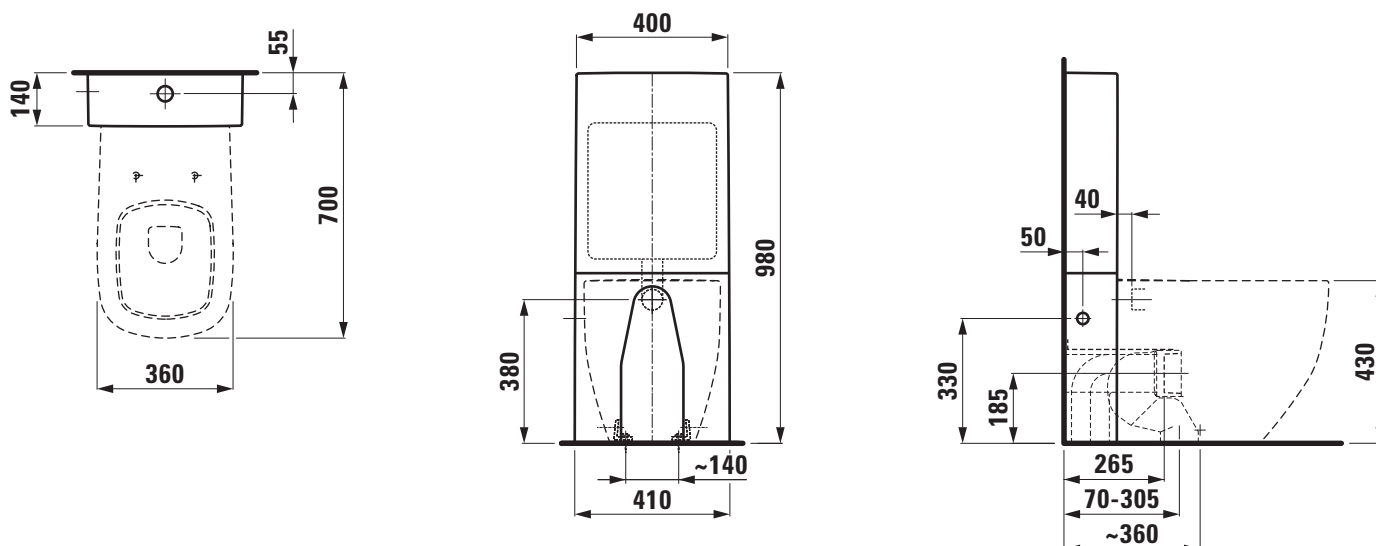
TECHNICAL DATA

Order no.	82966.3
Certified to	EN 14055
matching for	Floorstanding WC pan, order no. 82380.6
Specification	Floorstanding, consisting of two-parts Flushing mechanism Dual-Flush water condensation insulation Charge 883 – 6/3-l (5/3-l-flush, 4,5/3-l-flush)
Water inlet	bottom left, 1/2" plastic
Weight	21,0 kg
Mounting acc. incl.	Fastening kit
Mounting acc. excl.	for VARIO-outlet 70 - 220 mm LAUFEN-connection, order no. 89009.2 for VARIO-outlet 220 - 305 mm only LAUFEN-connection, order no. 89902.5 Angle valve for water inlet Water inlet hose
Colours	see colour table

SPECIFICATION TEXT

Floorstanding cistern, two-part Universal
Laufen-PALOMBA COLLECTION / INO, sanitary ceramic
EN 14055
dimensions 400/410 x 140 x 980 mm
Dual-Flush 6/3-l (5/3-l-flush, 4,5/3-l-flush)
water inlet bottom left, 1/2" plastic
matching floorstanding WC pan, order no. 82380.6
Special feature: water condensation insulation
Order no. 82966.3

TECHNICAL DRAWINGS / S 1 : 20



Floorstanding cistern, two-part Universal for floorstanding WC pan
82966.4



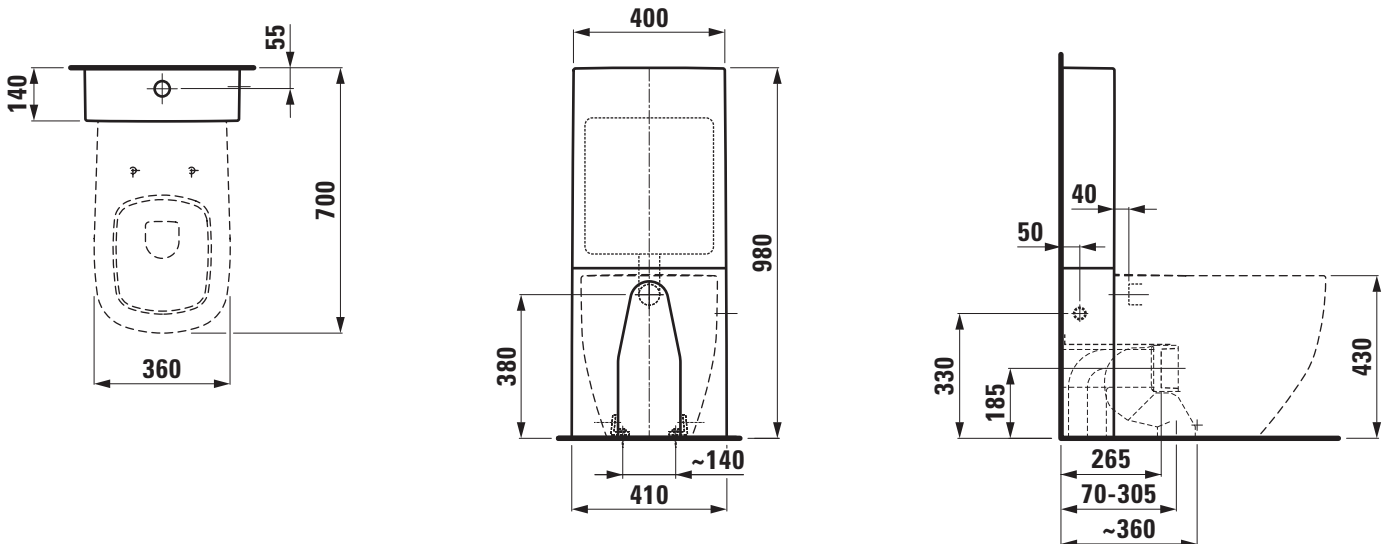
TECHNICAL DATA

Order no.	82966.4
Certified to	EN 14055
matching for	Floorstanding WC pan, order no. 82380.6
Specification	Floorstanding, consisting of two-parts Flushing mechanism Dual-Flush Charge 884 – 6/3-l (5/3-l-flush, 4,5/3-l-flush)
Water inlet	bottom right, 1/2" plastic
Weight	21,0 kg
Mounting acc. incl.	Fastening kit
Mounting acc. excl.	for VARIO-outlet 70 - 220 mm LAUFEN-connection, order no. 89009.2 for VARIO-outlet 220 - 305 mm only LAUFEN-connection, order no. 89902.5 Angle valve for water inlet Water inlet hose
Colours	see colour table

SPECIFICATION TEXT

Floorstanding cistern, two-part Universal
 Laufen-PALOMBA COLLECTION / INO, sanitary ceramic
 EN 14055
 dimensions 400/410 x 140 x 980 mm
 Dual-Flush 6/3-l (5/3-l-flush, 4,5/3-l-flush)
 water inlet bottom right, 1/2" plastic
 matching floorstanding WC pan, order no. 82380.6
 Order no. 82966.4

TECHNICAL DRAWINGS / S 1 : 20



SET PALOMBA COLLECTION / INO

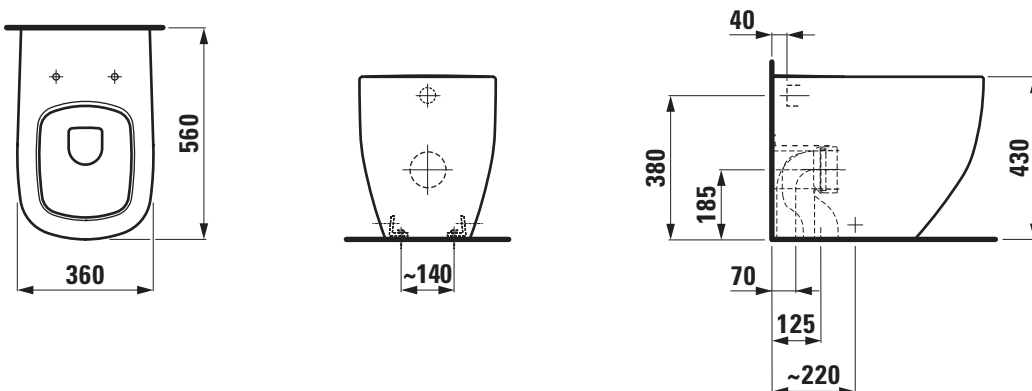
Floorstanding WC pan 82380.6



TECHNICAL DATA

Order no.	82380.6	Mounting acc. excl.	for outlet vertical 70 mm LAUFEN-connection set, order no. 89009.2
Certified to	EN 997, EN 33		for outlet vertical 125 mm LAUFEN-connection set, order no. 89902.7
Specification	Washdown for min. 5/3-l-flush closed water rim	Colours	see colour table
Outlet	horizontal vertical 70 and 125 mm	SPECIFICATION TEXT	
Weight	28,8 kg	Floorstanding WC pan washdown Laufen-PALOMBA COLLECTION / INO sanitary ceramic, for concealed cistern	
Accessories excl.	Floorstanding cistern, order no. 82866.0, 82866.1, 82866.3, 82866.4 Floorstanding cistern two-part Universal, order no. 82966.0, 82966.1, 82966.3, 82966.4 WC seat and cover with automatic lowering system, order no. 89180.2	EN 997, EN 33, min. 5/3-l-flush, dimensions 360 x 560 x 430 mm outlet horizontal, vertical 70 and 125 mm back to wall, concealed trap, concealed fixation Special feature: concealed surfaces directing water are fully glazed throughout, closed water rim, vacuum checked	
Mounting acc. incl.	Device for fixing, order no. 89175.7	Further options / accessories: Surface refinement LCC (only white), floorstanding cistern 82866.0, 82866.1, 82866.3, 82866.4, floorstanding cistern two-part Universal 82966.0, 82966.1, 82966.3, 82966.4, WC seat and cover with automatic lowering 89180.2 Order no. 82380.6	

TECHNICAL DRAWINGS / S 1 : 20



SET PALOMBA COLLECTION / INO

Wallhung WC rimless

82080.2



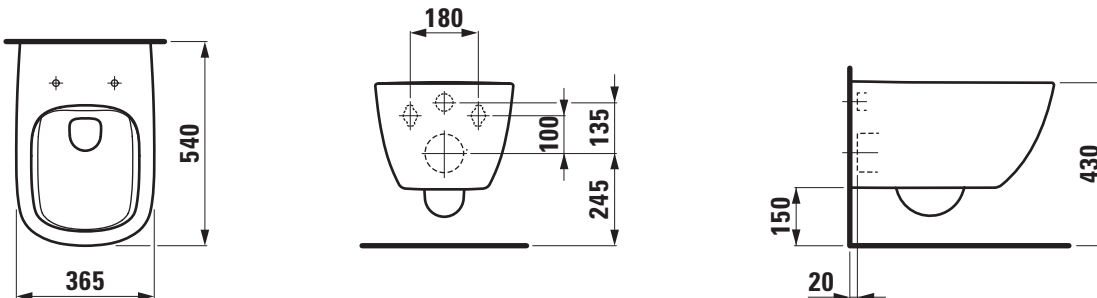
TECHNICAL DATA

Order no.	82080.2
Certified to	EN 997 / EN 33
Specification	rimless Washdown for min. 5/3-l-flush
Outlet	horizontal
Weight	22,0 kg
Accessories excl.	WC seat and cover with automatic lowering system, order no. 89180.2
Mounting acc. incl.	laufen EasyFit system M12, order no. 89282.7
Mounting acc. excl.	Stone screw fastening kit M12
Colours	see colour table

SPECIFICATION TEXT

Wallhung WC rimless washdown Laufen-PALOMBA COLLECTION / INO sanitary ceramic, for concealed cistern
EN 997, EN 33, min. 5/3-l-flush, dimensions 360 x 540 x 348 mm
concealed trap, concealed fixation
Special feature: rimless, concealed surfaces directing water are fully glazed throughout, vacuum checked
Further options / accessories: Surface refinement LCC (only white), WC seat and cover with automatic lowering 89180.2
Order no. 82080.2

TECHNICAL DRAWINGS / S 1 : 20



SET PALOMBA COLLECTION / INO

WC Seat and cover with automatic lowering system 89180.2



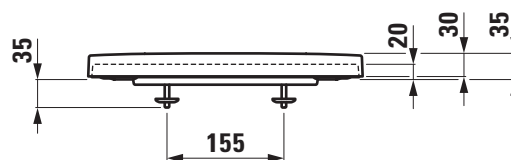
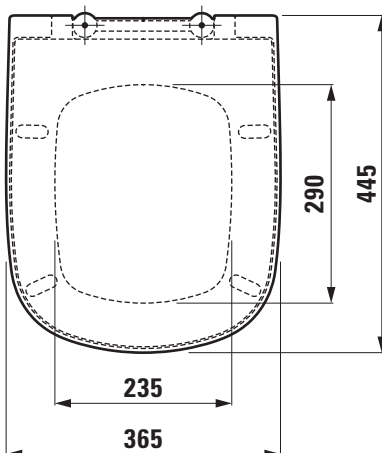
TECHNICAL DATA

Order no.	89180.2
matching for	Floorstanding WC pan order no. 82380.6, 82480.1 Wallhung WC pan order no. 82080.2
Specification	removable with automatic lowering system
Weight	2,5 kg
Mounting acc.	included
Colours	see colour table

SPECIFICATION TEXT

WC seat and cover Laufen-PALOMBA COLLECTION / INO, Duroplast removable, automatic lowering system matching floorstanding WC pan, order no. 82380.6, 82480.1 and wallhung WC pan, order no. 82080.2
Order no. 89180.2

TECHNICAL DRAWINGS / S 1 : 10



SET PALOMBA COLLECTION / INO

Floorstanding bidet

83280.1



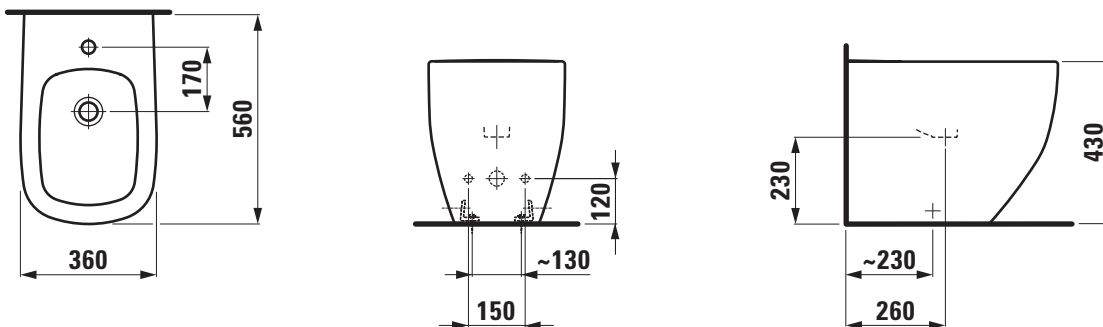
TECHNICAL DATA

Order no.	83280.1
Certified to	EN 997, EN 35
Specification	Charge 304 – 1 centre tap hole
Weight	24,0 kg
Mounting acc. incl.	Device for fixing, order no. 89175.7
Mounting acc. excl.	flexible siphon LAUFEN, order no. 89497.5
Colours	see colour table

SPECIFICATION TEXT

Floorstanding bidet Laufen-PALOMBA COLLECTION / INO
sanitary ceramic
EN 997, EN 35, dimensions 360 x 560 x 430 mm
1 centre tap hole
back to wall, concealed fixation
Special feature: overflow channel glazed, vacuum checked
Further options / accessories: Surface refinement LCC (only white)
Order no. 83280.1

TECHNICAL DRAWINGS / S 1 : 20



SET PALOMBA COLLECTION / INO

Wallhung bidet 83080.1



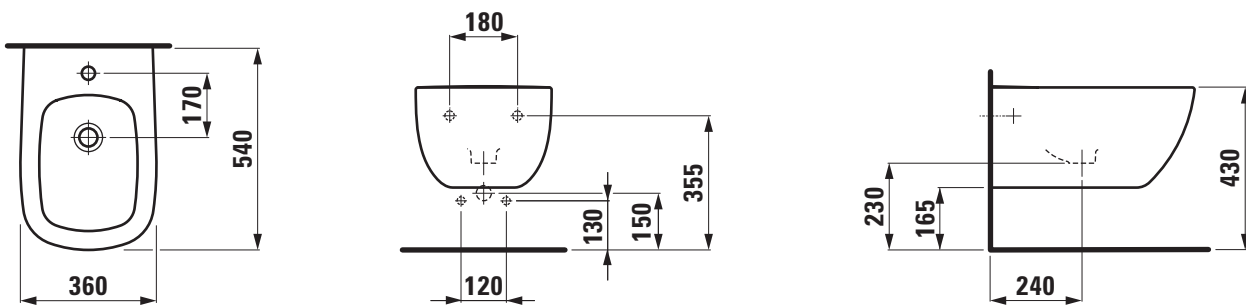
TECHNICAL DATA

Order no.	83080.1
Certified to	EN 36
Specification	Charge 304 – 1 centre tap hole
Weight	16,0 kg
Mounting acc. incl.	laufen EasyFit system M12, order no. 89282.7
Mounting acc. excl.	Stone screw fastening kit M12
Colours	see colour table

SPECIFICATION TEXT

Wallhung bidet Laufen-PALOMBA COLLECTION / INO
sanitary ceramic
EN 36, dimensions 360 x 540 x 265 mm
1 centre tap hole
concealed fixation
Special feature: overflow channel glazed, vacuum checked
Further options: Surface refinement LCC (only white)
Order no. 83080.1

TECHNICAL DRAWINGS / S 1 : 20

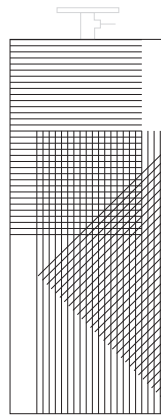


KARTELL BY LAUFEN

SET KARTELL BY LAUFEN

Freestanding Washbasin

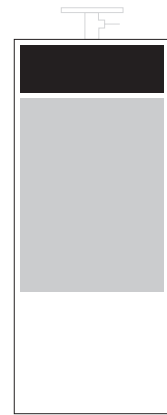
81133.1



D01 – Grey



D02 – Black



D03 – Grey & Black

TECHNICAL DATA

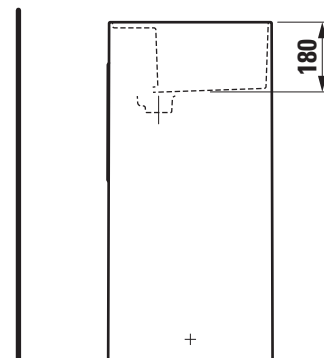
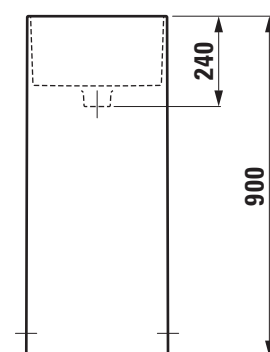
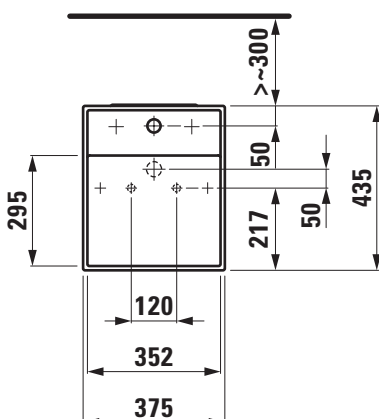
Order no.	81133.1
Certified to	EN 31
Dimensions	375 x 435 x 900 mm
Basin capacity	16.3 litre
Specification	freestanding with special hidden drain Charge 111 – 1 centre tap hole, without overflow
Special specification	Charge 112 – without tap holes, without overflow Charge 158 – 3 tap holes, without overflow Charge 815 – 1 centre tap hole, 1 hole right for mixing unit, without overflow D01 – Decor: Line pattern, grey, 1 centre tap hole, without overflow D02 – Decor: Lines, black, 1 centre tap hole, without overflow D03 – Decor: Surfaces, black and grey, 1 centre tap hole, without overflow
Weight	51,0 kg
Accessories incl.	Cover plate, order no. 89033.7

Mounting acc. incl.	Valve pre-assembled Charge 111, 112, 158, 815, D01, D02, D03 – valve without overflow always open, order no. 89830.1 laufen EasyFit system M12, order no. 89282.5
Mounting acc. incl.	Installation set: waterinlet hose with valve, siphon and extensible pipe D40, order no. 89406.4 Sponge rubber hollow profile, order no. 89413.7
Colours	see colour table

SPECIFICATION TEXT

Freestanding washbasin KARTELL BY LAUFEN, sanitary ceramic EN 31
dimensions 375 x 435 x 900 mm
1 centre tap hole, without overflow, valve without overflow always open,
1 centre tap hole with decor line pattern grey, lines black or surfaces black and grey
Special feature: with special hidden drain, valve pre-assembled
Further options / accessories: Surface refinement LCC (only white), without tap holes and overflow, 3 tap holes without overflow, 1 centre tap hole with 1 hole right for mixing unit and without overflow, bathtubs, shower trays, furniture, accessories
Order no. 81133.1

TECHNICAL DRAWINGS / S 1 : 20



SET KARTELL BY LAUFEN

Countertop basin, shelf right

81033.4



TECHNICAL DATA

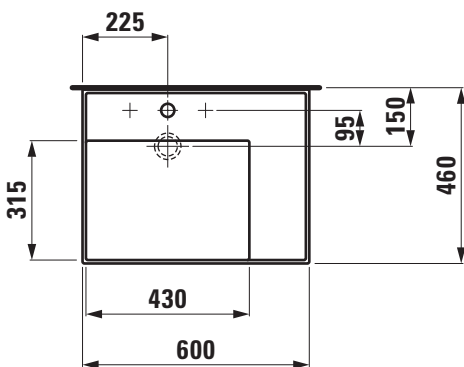
Order no.	81033.4
Certified to	EN 31
Dimensions	600 x 460 mm
Basin capacity	4.8 litre (basin with hidden overflow) 9.7 litre (basin without overflow)
Specification	with special hidden drain Charge 111 – 1 centre tap hole, without overflow
Special specification	Charge 112 – without tap holes, without overflow Charge 158 – 3 tap holes, without overflow Charge 815 – 1 centre tap hole, 1 hole right for mixing unit, without overflow Charge 814 – 1 centre tap hole, 1 hole right for mixing unit, hidden overflow
Weight	15,0 kg
Accessories excl.	Towel frame, order no. 38533.5

Mounting acc. incl.	Valve pre-assembled Charge 111, 112, 158, 815 – valve without overflow always open, order no. 89830.1 Charge 814 – pop up valve, order no. 89830.2
Mounting acc. excl.	Siphon DN 32 chrome, order no. 89394.7 Mounting set M10 x 140 mm, order no. 89988.2
Colours	see colour table

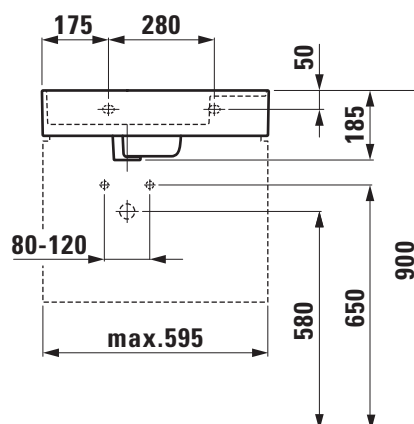
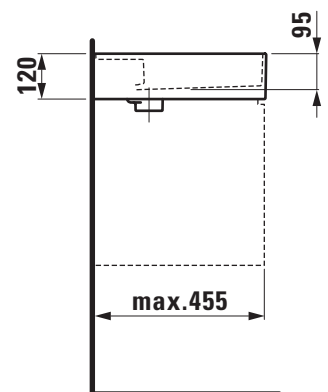
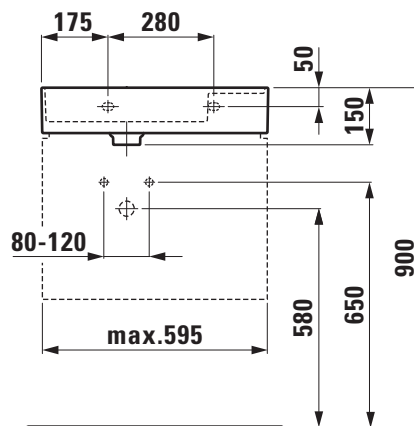
SPECIFICATION TEXT

Countertop basin KARTELL BY LAUFEN, SaphirKeramik
EN 31, dimensions 600 x 460 mm
1 centre tap hole, without overflow, valve without overflow always open
Special feature: with special hidden drain, valve pre-assembled
Further options / accessories: Surface refinement LCC (only white), without tap holes and overflow, 3 tap holes without overflow, 1 centre tap hole with 1 hole right for mixing unit and without overflow, 1 centre tap hole with 1 hole right for mixing unit and hidden overflow, towel frame, bathtubs, shower trays, furniture, accessories
Order no. 81033.4

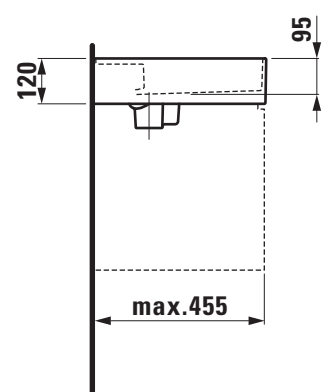
TECHNICAL DRAWINGS / S 1 : 20



Charge 111, 112, 158, 815



Charge 814



SET KARTELL BY LAUFEN

Countertop basin, shelf left

81033.5



TECHNICAL DATA

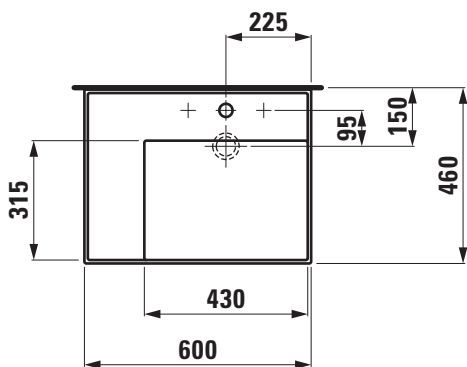
Order no.	81033.5
Certified to	EN 31
Dimensions	600 x 460 mm
Basin capacity	4.8 litre (basin with hidden overflow) 9.7 litre (basin without overflow)
Specification	with special hidden drain Charge 111 – 1 centre tap hole, without overflow
Special specification	Charge 112 – without tap holes, without overflow Charge 158 – 3 tap holes, without overflow Charge 815 – 1 centre tap hole, 1 hole right for mixing unit, without overflow Charge 814 – 1 centre tap hole, 1 hole right for mixing unit, hidden overflow
Weight	15,0 kg
Accessories excl.	Towel frame, order no. 38533.5

Mounting acc. incl.	Valve pre-assembled Charge 111, 112, 158, 815 – valve without overflow always open, order no. 89830.1 Charge 814 – pop up valve, order no. 89830.2
Mounting acc. excl.	Siphon DN 32 chrome, order no. 89394.7 Mounting set M10 x 140 mm, order no. 89988.2
Colours	see colour table

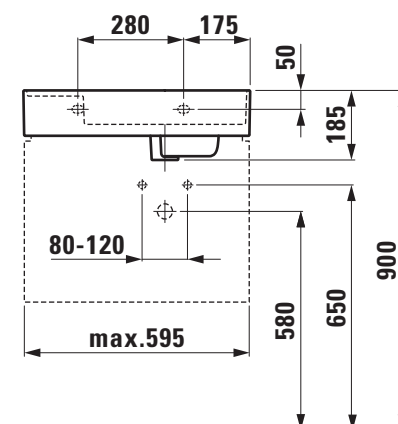
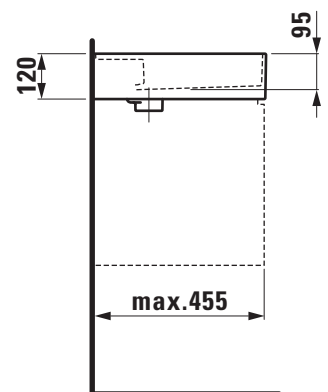
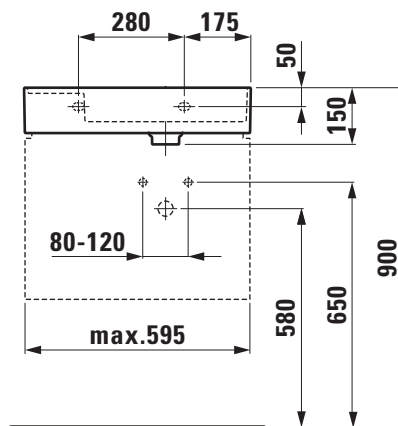
SPECIFICATION TEXT

Countertop basin KARTELL BY LAUFEN, SaphirKeramik
EN 31, dimensions 600 x 460 mm
1 centre tap hole, without overflow, valve without overflow always open
Special feature: with special hidden drain, valve pre-assembled
Further options / accessories: Surface refinement LCC (only white), without tap holes and overflow, 3 tap holes without overflow, 1 centre tap hole with 1 hole right for mixing unit and without overflow, 1 centre tap hole with 1 hole right for mixing unit and hidden overflow, towel frame, bathtubs, shower trays, furniture, accessories
Order no. 81033.5

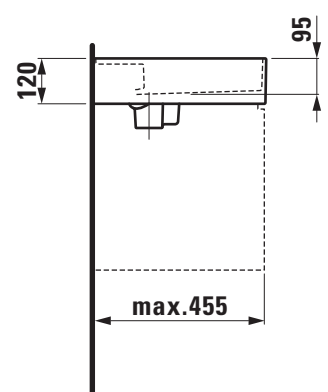
TECHNICAL DRAWINGS / S 1 : 20



Charge 111, 112, 158, 815



Charge 814



SET KARTELL BY LAUFEN

Countertop basin, shelf right

81033.8



TECHNICAL DATA

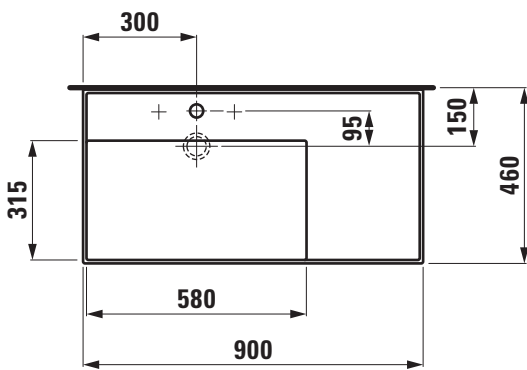
Order no.	81033.8
Certified to	EN 31
Dimensions	900 x 460 mm
Basin capacity	6.2 litre (basin with hidden overflow) 12.5 litre (basin without overflow)
Specification	with special hidden drain Charge 111 – 1 centre tap hole, without overflow
Special specification	Charge 112 – without tap holes, without overflow Charge 158 – 3 tap holes, without overflow Charge 815 – 1 centre tap hole, 1 hole right for mixing unit, without overflow Charge 814 – 1 centre tap hole, 1 hole right for mixing unit, hidden overflow
Weight	21,0 kg
Accessories excl.	Towel frame, order no. 38533.6

Mounting acc. incl.	Valve pre-assembled Charge 111, 112, 158, 815 – valve without overflow always open, order no. 89830.1 Charge 814 – pop up valve, order no. 89830.2
Mounting acc. excl.	Siphon DN 32 chrome, order no. 89394.7 Mounting set M10 x 140 mm, order no. 89988.2
Colours	see colour table

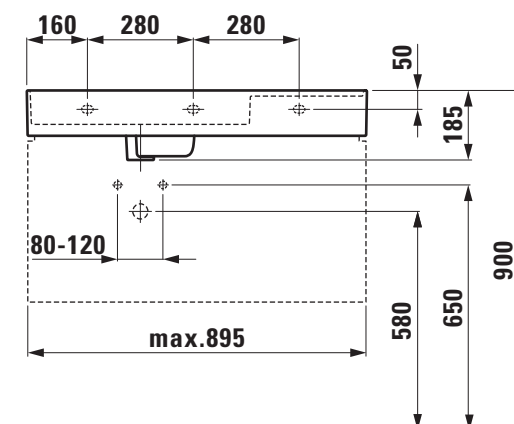
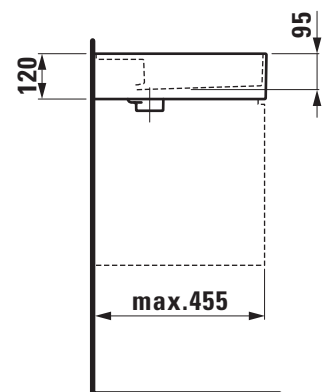
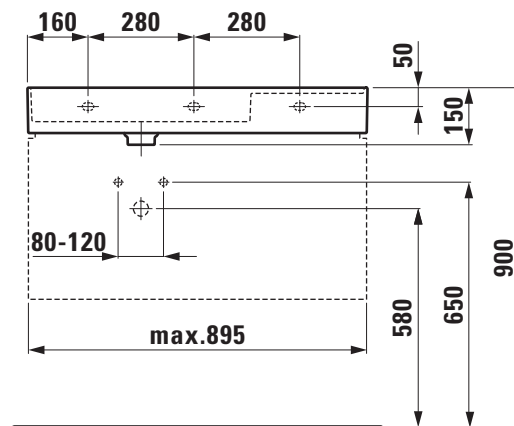
SPECIFICATION TEXT

Countertop basin KARTELL BY LAUFEN, SaphirKeramik
EN 31, dimensions 900 x 460 mm
1 centre tap hole, without overflow, valve without overflow always open
Special feature: with special hidden drain, valve pre-assembled
Further options / accessories: Surface refinement LCC (only white), without tap holes and overflow, 3 tap holes without overflow, 1 centre tap hole with 1 hole right for mixing unit and without overflow, 1 centre tap hole with 1 hole right for mixing unit and hidden overflow, towel frame, bathtubs, shower trays, furniture, accessories
Order no. 81033.8

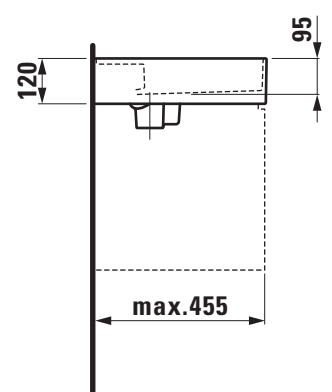
TECHNICAL DRAWINGS / S 1 : 20



Charge 111, 112, 158, 815



Charge 814



SET KARTELL BY LAUFEN

Countertop basin, shelf left

81033.9



TECHNICAL DATA

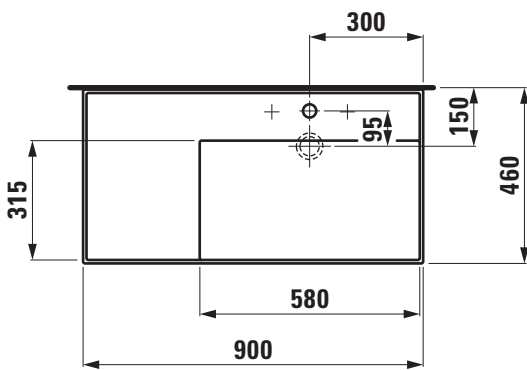
Order no.	81033.9
Certified to	EN 31
Dimensions	900 x 460 mm
Basin capacity	6.2 litre (basin with hidden overflow) 12.5 litre (basin without overflow)
Specification	with special hidden drain Charge 111 – 1 centre tap hole, without overflow
Special specification	Charge 112 – without tap holes, without overflow Charge 158 – 3 tap holes, without overflow Charge 815 – 1 centre tap hole, 1 hole right for mixing unit, without overflow Charge 814 – 1 centre tap hole, 1 hole right for mixing unit, hidden overflow
Weight	21,0 kg
Accessories excl.	Towel frame, order no. 38533.6

Mounting acc. incl.	Valve pre-assembled Charge 111, 112, 158, 815 – valve without overflow always open, order no. 89830.1 Charge 814 – pop up valve, order no. 89830.2
Mounting acc. excl.	Siphon DN 32 chrome, order no. 89394.7 Mounting set M10 x 140 mm, order no. 89988.2
Colours	see colour table

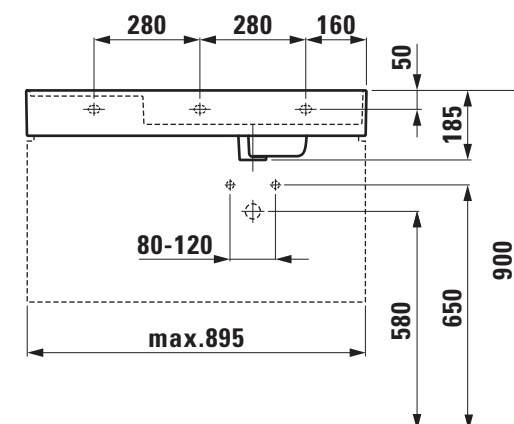
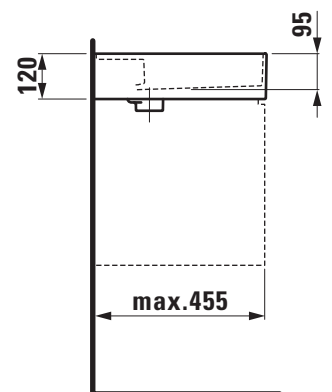
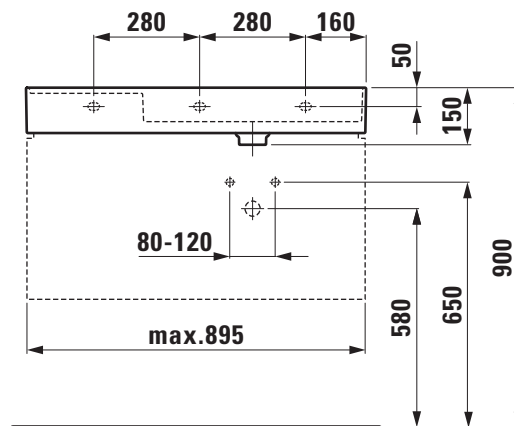
SPECIFICATION TEXT

Countertop basin KARTELL BY LAUFEN, SaphirKeramik
EN 31, dimensions 900 x 460 mm
1 centre tap hole, without overflow, valve without overflow always open
Special feature: with special hidden drain, valve pre-assembled
Further options / accessories: Surface refinement LCC (only white), without tap holes and overflow, 3 tap holes without overflow, 1 centre tap hole with 1 hole right for mixing unit and without overflow, 1 centre tap hole with 1 hole right for mixing unit and hidden overflow, towel frame, bathtubs, shower trays, furniture, accessories
Order no. 81033.9

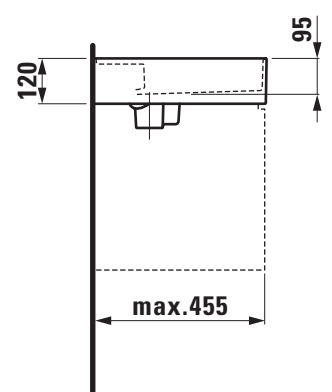
TECHNICAL DRAWINGS / S 1 : 20



Charge 111, 112, 158, 815



Charge 814



SET KARTELL BY LAUFEN

Countertop basin, shelf right

81333.2



TECHNICAL DATA

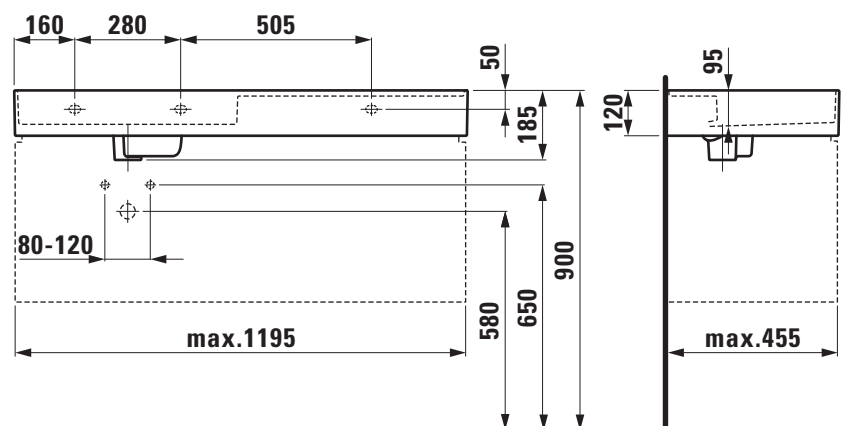
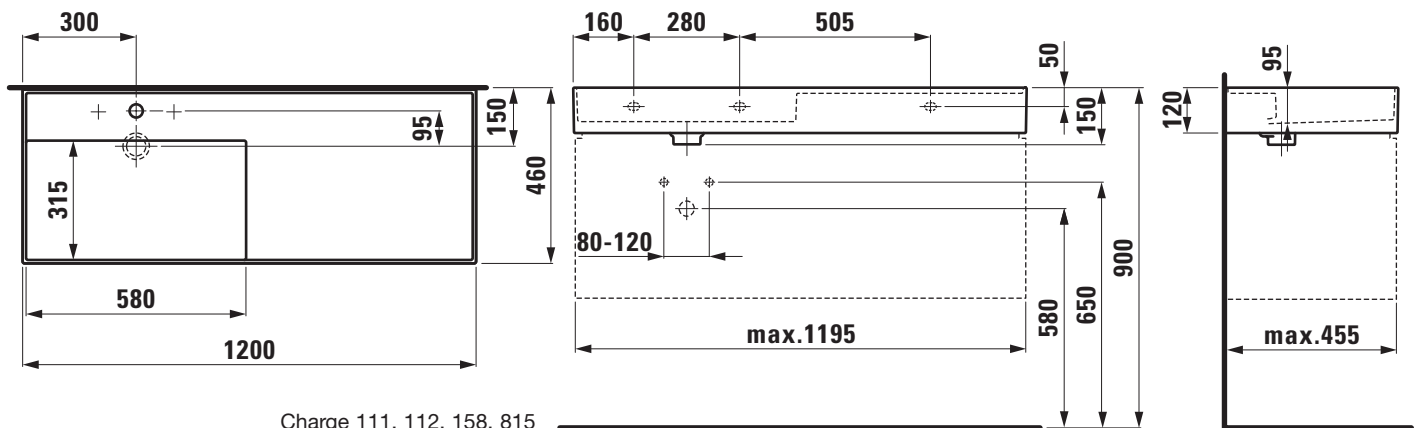
Order no.	81333.2
Certified to	EN 31
Dimensions	1200 x 460 mm
Basin capacity	6.6 litre (basin with hidden overflow)
Specification	with special hidden drain Charge 111 – 1 centre tap hole, without overflow
Special specification	Charge 112 – without tap holes, without overflow Charge 158 – 3 tap holes, without overflow Charge 815 – 1 centre tap hole, 1 hole right for mixing unit, without overflow Charge 814 – 1 centre tap hole, 1 hole right for mixing unit, hidden overflow
Weight	28,0
Mounting acc. incl.	Valve pre-assembled Charge 111, 112, 158, 815 – valve without overflow always open, order no. 89830.1 Charge 814 – pop up valve, order no. 89830.2

Mounting acc. excl.	Siphon DN 32 chrome, order no. 89394.7 2x Mounting set M10 x 140 mm, order no. 89988.2
Colours	see colour table

SPECIFICATION TEXT

Countertop basin KARTELL BY LAUFEN, SaphirKeramik
EN 31, dimensions 1200 x 460 mm
1 centre tap hole, without overflow, valve without overflow always open
Special feature: with special hidden drain, valve pre-assembled
Further options / accessories: Surface refinement LCC (only white), without tap holes and overflow, 3 tap holes without overflow, 1 centre tap hole with 1 hole right for mixing unit and without overflow, 1 centre tap hole with 1 hole right for mixing unit and hidden overflow, towel frame, bathtubs, shower trays, furniture, accessories
Order no. 81333.2

TECHNICAL DRAWINGS / S 1 : 20



Washbasin undersurface ground, shelf right

81833.4



TECHNICAL DATA

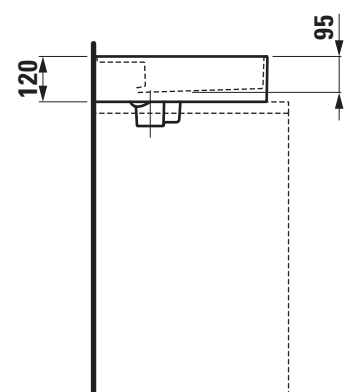
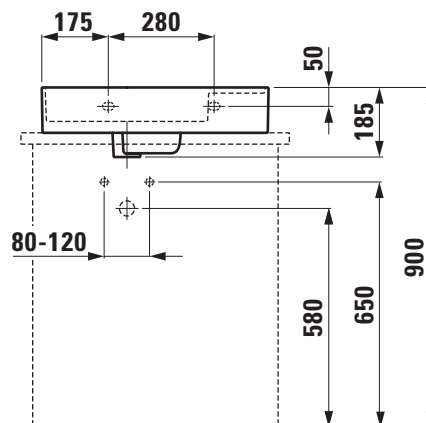
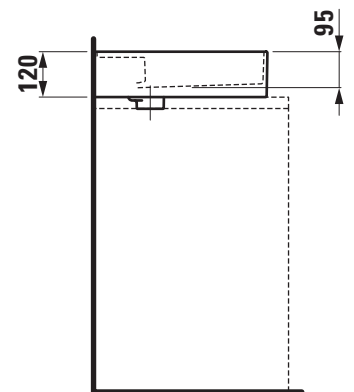
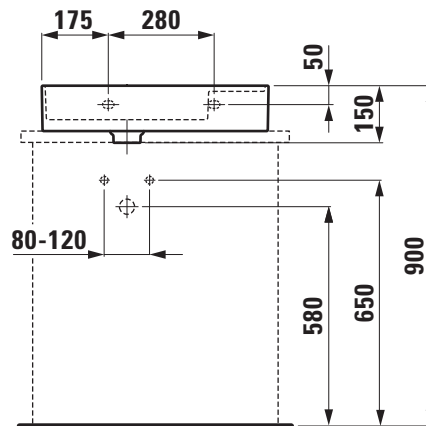
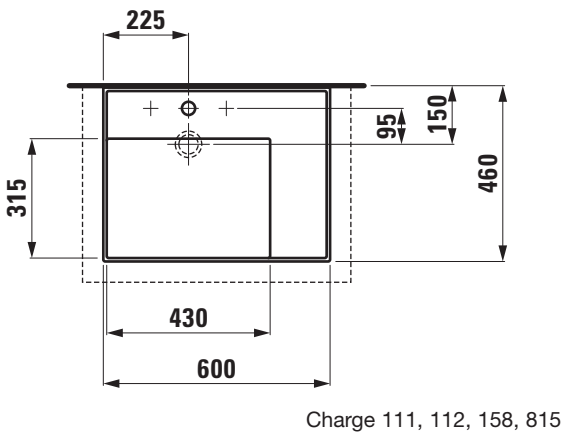
Order no.	81833.4
Certified to	EN 31
Dimensions	600 x 460 mm
Basin capacity	4.8 litre (basin with hidden overflow) 9.7 litre (basin without overflow)
Specification	Always to be fixed to the wall. with special hidden drain Charge 111 – 1 centre tap hole, without overflow
Special specification	Charge 112 – without tap holes, without overflow Charge 158 – 3 tap holes, without overflow Charge 815 – 1 centre tap hole, 1 hole right for mixing unit, without overflow Charge 814 – 1 centre tap hole, 1 hole right for mixing unit, hidden overflow
Weight	15,0 kg
Mounting acc. incl.	Template, order no. 89633.4

Mounting acc. incl.	Valve pre-assembled Charge 111, 112, 158, 815 – valve without overflow always open, order no. 89830.1 Charge 814 – pop up valve, order no. 89830.2
Mounting acc. excl.	Siphon DN 32 chrome, order no. 89394.7 Mounting set M10 x 140 mm, order no. 89988.2
Colours	see colour table

SPECIFICATION TEXT

Washbasin undersurface ground KARTELL BY LAUFEN, SaphirKeramik EN 31, dimensions 600 x 460 mm
1 centre tap hole, without overflow, valve without overflow always open
Special feature: with special hidden drain, valve pre-assembled
Further options / accessories: Surface refinement LCC (only white), without tap holes and overflow, 3 tap holes without overflow, 1 centre tap hole with 1 hole right for mixing unit and without overflow, 1 centre tap hole with 1 hole right for mixing unit and hidden overflow, towel frame, bathtubs, shower trays, furniture, accessories
Order no. 81833.4

TECHNICAL DRAWINGS / S 1 : 20



Washbasin undersurface ground, shelf left

81833.5



TECHNICAL DATA

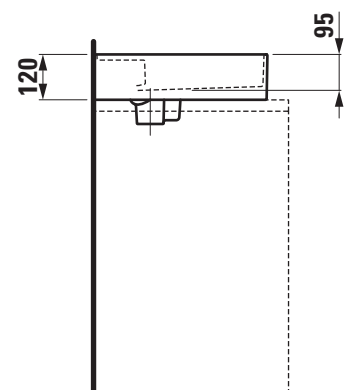
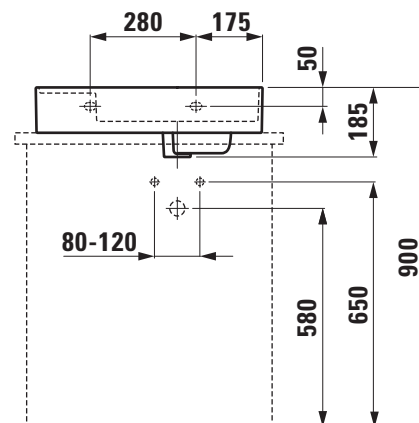
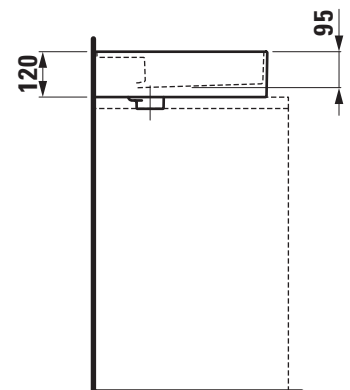
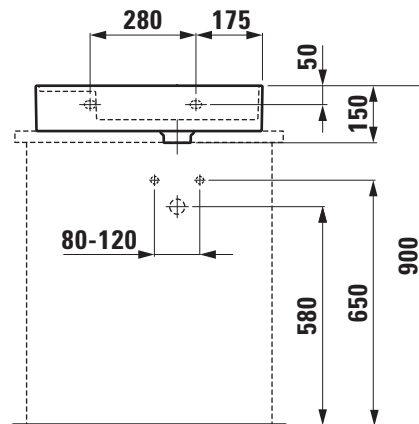
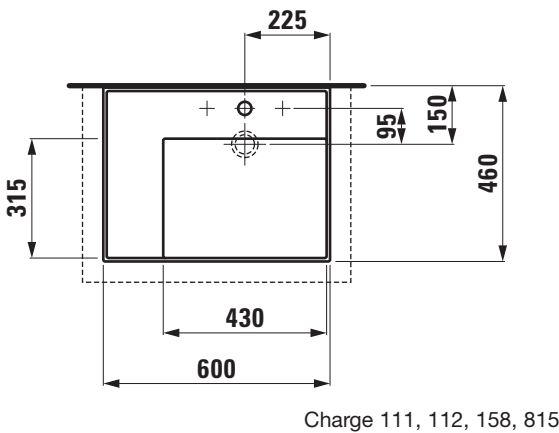
Order no.	81833.5
Certified to	EN 31
Dimensions	600 x 460 mm
Basin capacity	4.8 litre (basin with hidden overflow) 9.7 litre (basin without overflow)
Specification	Always to be fixed to the wall. with special hidden drain Charge 111 – 1 centre tap hole, without overflow
Special specification	Charge 112 – without tap holes, without overflow Charge 158 – 3 tap holes, without overflow Charge 815 – 1 centre tap hole, 1 hole right for mixing unit, without overflow Charge 814 – 1 centre tap hole, 1 hole right for mixing unit, hidden overflow
Weight	15,0 kg
Mounting acc. incl.	Template, order no. 89633.5

Mounting acc. incl.	Valve pre-assembled Charge 111, 112, 158, 815 – valve without overflow always open, order no. 89830.1 Charge 814 – pop up valve, order no. 89830.2
Mounting acc. excl.	Siphon DN 32 chrome, order no. 89394.7 Mounting set M10 x 140 mm, order no. 89988.2
Colours	see colour table

SPECIFICATION TEXT

Washbasin undersurface ground KARTELL BY LAUFEN, SaphirKeramik EN 31, dimensions 600 x 460 mm
1 centre tap hole, without overflow, valve without overflow always open
Special feature: with special hidden drain, valve pre-assembled
Further options / accessories: Surface refinement LCC (only white), without tap holes and overflow, 3 tap holes without overflow, 1 centre tap hole with 1 hole right for mixing unit and without overflow, 1 centre tap hole with 1 hole right for mixing unit and hidden overflow, towel frame, bathtubs, shower trays, furniture, accessories
Order no. 81833.5

TECHNICAL DRAWINGS / S 1 : 20



Washbasin undersurface ground, shelf right

81833.8



TECHNICAL DATA

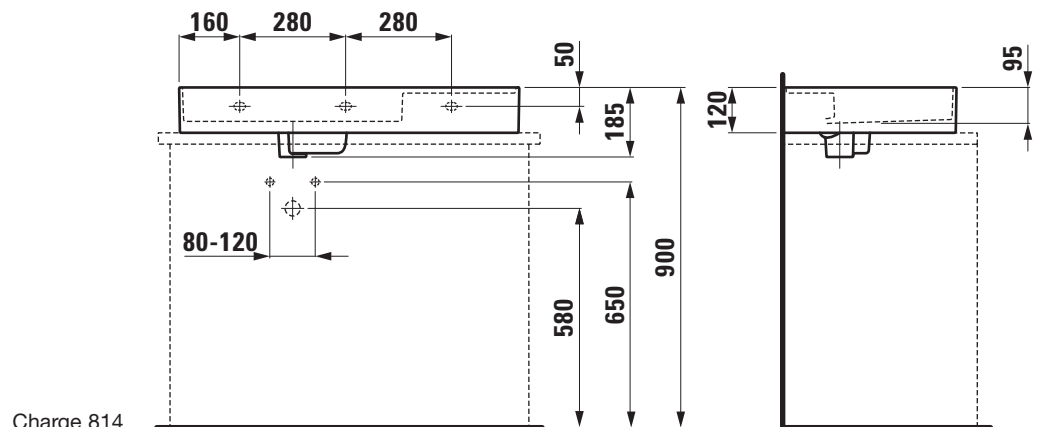
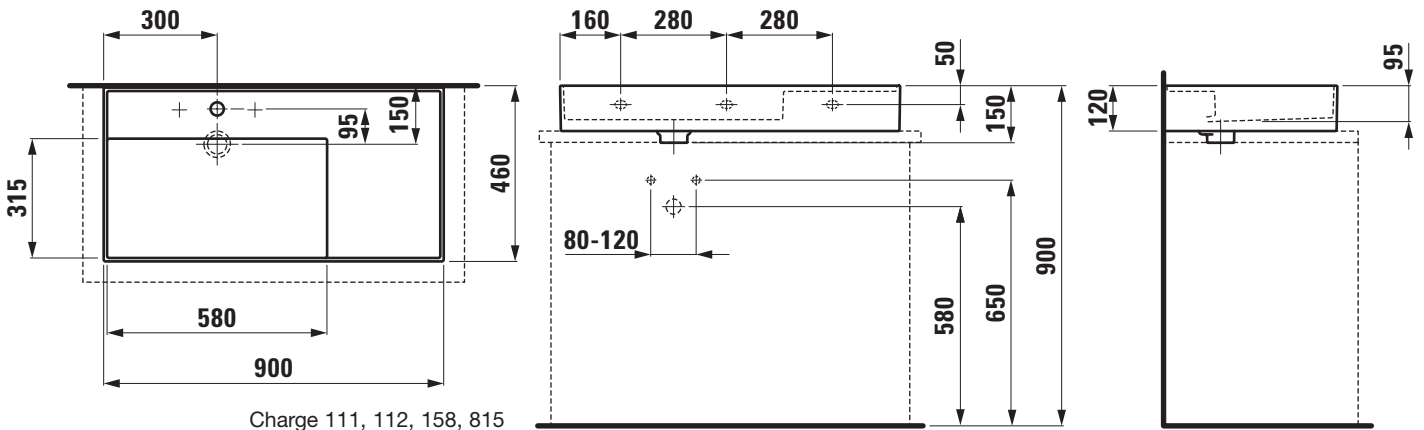
Order no.	81833.8
Certified to	EN 31
Dimensions	900 x 460 mm
Basin capacity	6.2 litre (basin with hidden overflow) 12.5 litre (basin without overflow)
Specification	Always to be fixed to the wall. with special hidden drain Charge 111 – 1 centre tap hole, without overflow
Special specification	Charge 112 – without tap holes, without overflow Charge 158 – 3 tap holes, without overflow Charge 815 – 1 centre tap hole, 1 hole right for mixing unit, without overflow Charge 814 – 1 centre tap hole, 1 hole right for mixing unit, hidden overflow
Weight	21,0 kg
Mounting acc. incl.	Template, order no. 89633.8

Mounting acc. incl.	Valve pre-assembled Charge 111, 112, 158, 815 – valve without overflow always open, order no. 89830.1 Charge 814 – pop up valve, order no. 89830.2
Mounting acc. excl.	Siphon DN 32 chrome, order no. 89394.7 Mounting set M10 x 140 mm, order no. 89988.2
Colours	see colour table

SPECIFICATION TEXT

Washbasin undersurface ground KARTELL BY LAUFEN, SaphirKeramik EN 31, dimensions 900 x 460 mm
1 centre tap hole, without overflow, valve without overflow always open
Special feature: with special hidden drain, valve pre-assembled
Further options / accessories: Surface refinement LCC (only white), without tap holes and overflow, 3 tap holes without overflow, 1 centre tap hole with 1 hole right for mixing unit and without overflow, 1 centre tap hole with 1 hole right for mixing unit and hidden overflow, towel frame, bathtubs, shower trays, furniture, accessories
Order no. 81833.8

TECHNICAL DRAWINGS / S 1 : 20



Washbasin undersurface ground, shelf left

81833.9



TECHNICAL DATA

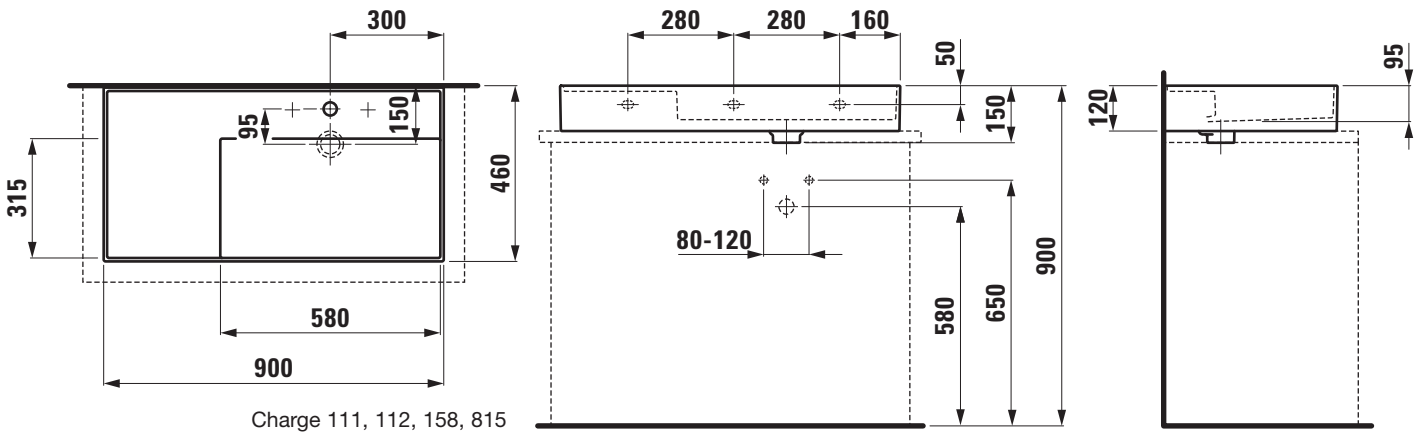
Order no.	81833.9
Certified to	EN 31
Dimensions	900 x 460 mm
Basin capacity	6.2 litre (basin with hidden overflow) 12.5 litre (basin without overflow)
Specification	Always to be fixed to the wall. with special hidden drain Charge 111 – 1 centre tap hole, without overflow
Special specification	Charge 112 – without tap holes, without overflow Charge 158 – 3 tap holes, without overflow Charge 815 – 1 centre tap hole, 1 hole right for mixing unit, without overflow Charge 814 – 1 centre tap hole, 1 hole right for mixing unit, hidden overflow
Weight	21,0 kg
Mounting acc. incl.	Template, order no. 89633.9

Mounting acc. incl.	Valve pre-assembled Charge 111, 112, 158, 815 – valve without overflow always open, order no. 89830.1 Charge 814 – pop up valve, order no. 89830.2
Mounting acc. excl.	Siphon DN 32 chrome, order no. 89394.7 Mounting set M10 x 140 mm, order no. 89988.2
Colours	see colour table

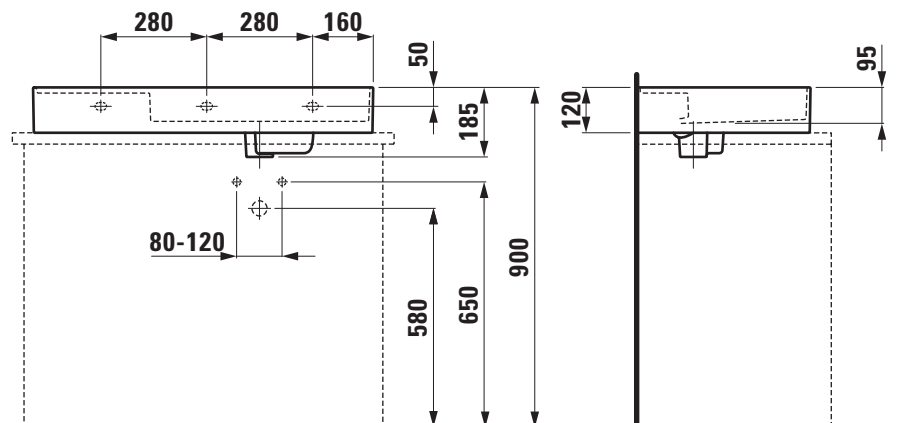
SPECIFICATION TEXT

Washbasin undersurface ground KARTELL BY LAUFEN, SaphirKeramik EN 31, dimensions 900 x 460 mm
1 centre tap hole, without overflow, valve without overflow always open
Special feature: with special hidden drain, valve pre-assembled
Further options / accessories: Surface refinement LCC (only white), without tap holes and overflow, 3 tap holes without overflow, 1 centre tap hole with 1 hole right for mixing unit and without overflow, 1 centre tap hole with 1 hole right for mixing unit and hidden overflow, towel frame, bathtubs, shower trays, furniture, accessories
Order no. 81833.9

TECHNICAL DRAWINGS / S 1 : 20



Charge 111, 112, 158, 815



Charge 814



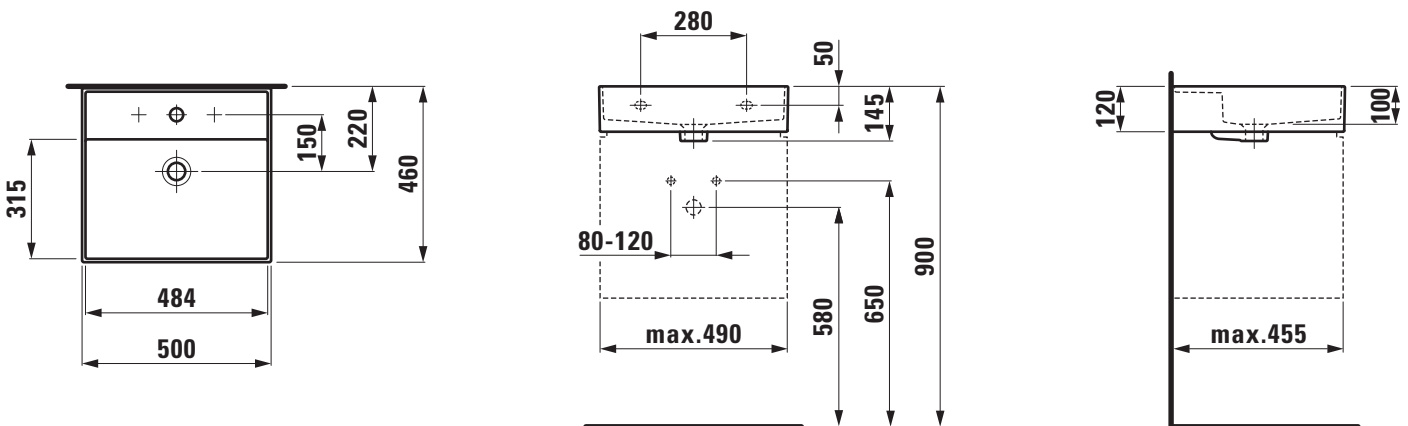
TECHNICAL DATA

Order no.	81033.2
Certified to	EN 31
Dimensions	500 x 460 mm
Basin capacity	7.0 litre (up to bottom line of the overflow)
Specification	Charge 104 – 1 centre tap hole
Special specification	Charge 109 – without tap holes
Weight	12,5 kg
Mounting acc. excl.	Mounting set M10 x 140 mm, order no. 89988.2
Colours	see colour table

SPECIFICATION TEXT

Countertop basin KARTELL BY LAUFEN, SaphirKeramik
EN 31, dimensions 500 x 460 mm, square
1 centre tap hole, with overflow
Special feature: overflow channel glazed
Further options / accessories: Surface refinement LCC (only white),
without tap holes, bathtubs, shower trays, furniture, accessories
Order no. 81033.2

TECHNICAL DRAWINGS / S 1 : 20





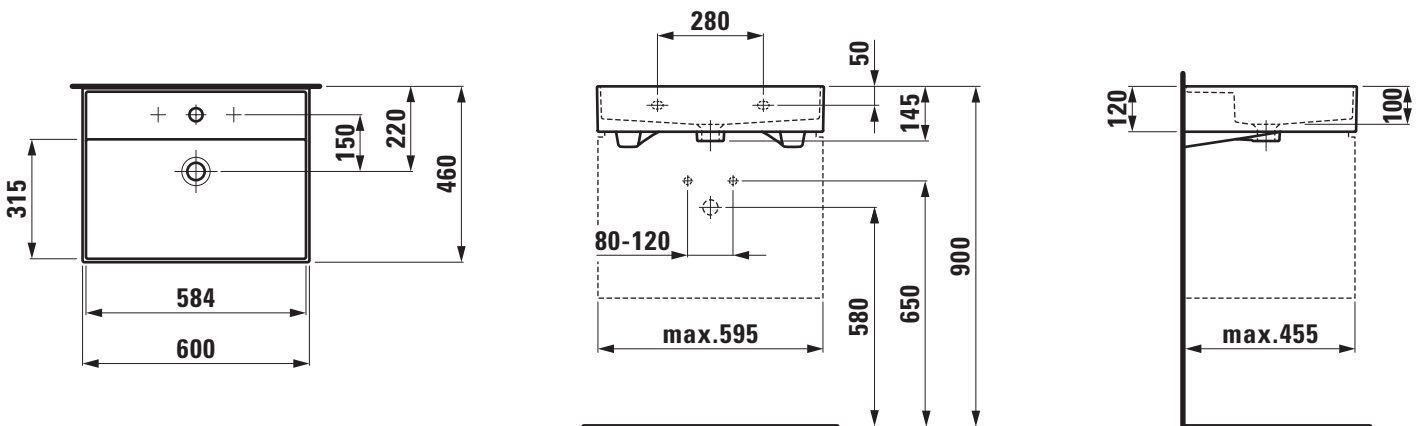
TECHNICAL DATA

Order no.	81033.3
Certified to	EN 31
Dimensions	600 x 460 mm
Basin capacity	8.4 litre (up to bottom line of the overflow)
Specification	Charge 104 – 1 centre tap hole
Special specification	Charge 109 – without tap holes
Weight	14,0 kg
Mounting acc. excl.	Mounting set M10 x 140 mm, order no. 89988.2
Colours	see colour table

SPECIFICATION TEXT

Countertop basin KARTELL BY LAUFEN, SaphirKeramik
EN 31, dimensions 600 x 460 mm, square
1 centre tap hole, with overflow
Special feature: overflow channel glazed
Further options / accessories: Surface refinement LCC (only white),
without tap holes, bathtubs, shower trays, furniture, accessories
Order no. 81033.3

TECHNICAL DRAWINGS / S 1 : 20



SET KARTELL BY LAUFEN

Washbasin undersurface ground 81633.2



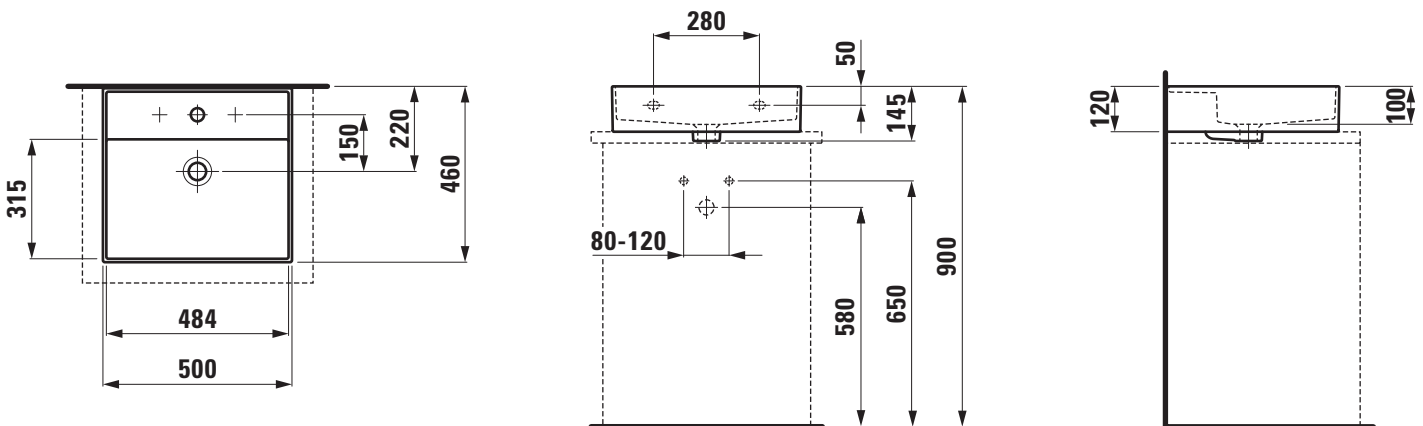
TECHNICAL DATA

Order no.	81633.2
Certified to	EN 31
Dimensions	500 x 460 mm
Basin capacity	7.0 litre (up to bottom line of the overflow)
Specification	Always to be fixed to the wall. Charge 104 – 1 centre tap hole
Special specification	Charge 109 – without tap holes
Weight	12,5 kg
Mounting acc. incl.	Template, order no. 89633.2
Mounting acc. excl.	Mounting set M10 x 140 mm, order no. 89988.2
Colours	see colour table

SPECIFICATION TEXT

Washbasin undersurface ground KARTELL BY LAUFEN, SaphirKeramik EN 31, dimensions 500 x 460 mm, square
1 centre tap hole, with overflow
Special feature: overflow channel glazed
Further options / accessories: Surface refinement LCC (only white), without tap holes, bathtubs, shower trays, furniture, accessories
Order no. 81633.2

TECHNICAL DRAWINGS / S 1 : 20



SET KARTELL BY LAUFEN

Washbasin undersurface ground 81633.3



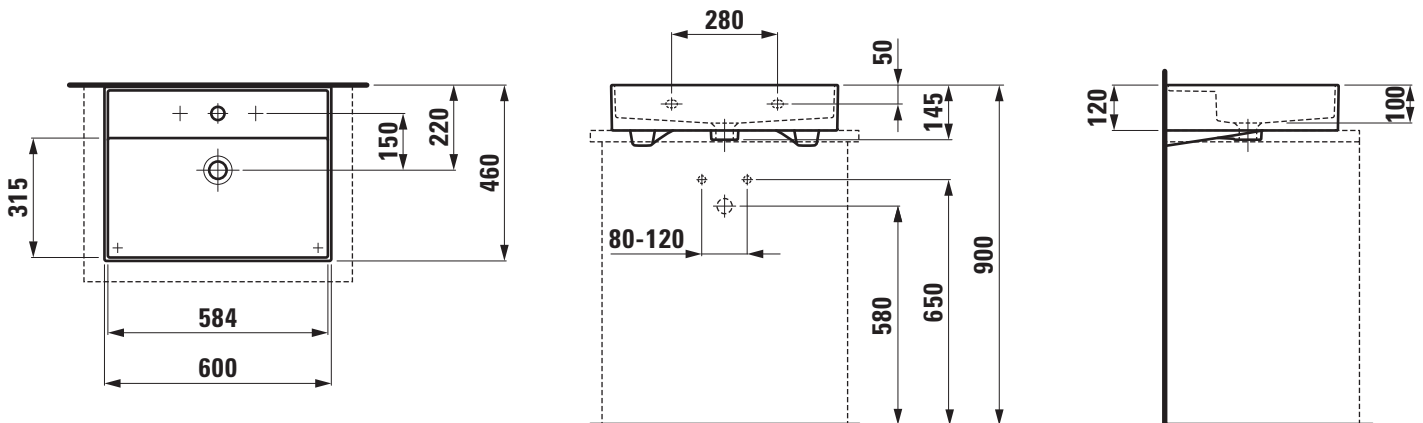
TECHNICAL DATA

Order no.	81633.3
Certified to	EN 31
Dimensions	600 x 460 mm
Basin capacity	8.4 litre (up to bottom line of the overflow)
Specification	Always to be fixed to the wall. Charge 104 – 1 centre tap hole
Special specification	Charge 109 – without tap holes
Weight	14,0 kg
Mounting acc. incl.	Template, order no. 89633.3
Mounting acc. excl.	Mounting set M10 x 140 mm, order no. 89988.2
Colours	see colour table

SPECIFICATION TEXT

Washbasin undersurface ground KARTELL BY LAUFEN, SaphirKeramik EN 31, dimensions 600 x 460 mm, square
1 centre tap hole, with overflow
Special feature: overflow channel glazed
Further options / accessories: Surface refinement LCC (only white), without tap holes, bathtubs, shower trays, furniture, accessories
Order no. 81633.3

TECHNICAL DRAWINGS / S 1 : 20





TECHNICAL DATA

Order no.	86033.1 – washbasin with vanity unit, 2 drawers
Certified to	Washbasin – EN 31
Dimensions (WxHxD)	500 x 726 x 500 mm
Basin capacity	not specified
Matching	
side elements	Kartell by Laufen, order no. 40827.1, 40827.2
Specification	Washbasin: Always to be fixed to the wall. Charge 104 – 1 centre tap hole Furniture: Body/Front – MDF board with lack laminate and ABS edges 2 push and pull full extension drawers (soft-close mechanism)
Weight	45,5 kg
Accessories excl.	Feet (2 pieces), aluminium, order no. 40766.0 Towel rail, anodized aluminium, order no. 49095.2
Mounting acc. incl.	Installation set for furniture, order no. 49114.0, 49301.5
Mounting acc. excl.	Space saving siphon, order no. 89424.1

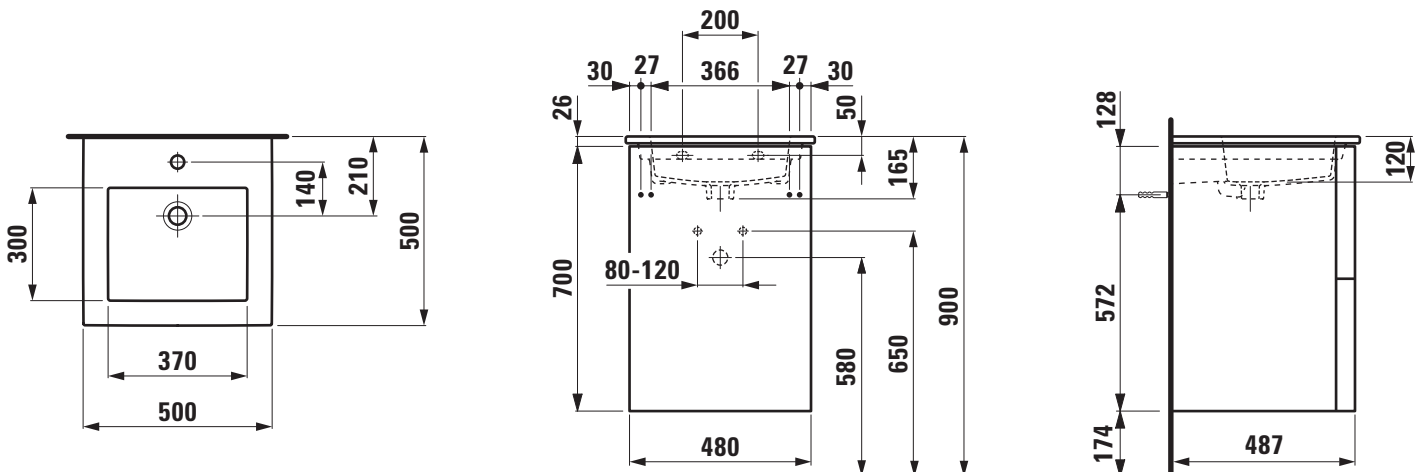
Mounting information The walls installed on must meet the requirements of the furniture in terms of weight and the supplied fastening elements. If this cannot be guaranteed another method of installation needs to be chosen.

Colours ceramic	000 – White
Colours furniture	640 – White matt 641 – Pebble grey matt 642 – Slate grey matt

SPECIFICATION TEXT

Pack washbasin with furniture KARTELL BY LAUFEN
Washbasin: sanitary ceramic, EN 31, dimensions (WxD) 500 x 500 mm, angular, 1 centre tap hole
Special feature: overflow channel glazed
Vanity unit: Body/Front – MDF board with lack laminate and ABS edges, 2 push and pull drawers, dimensions (WxHxD) 480 x 700 x 487 mm
Further options / accessories: Towel rail anodized aluminium, bathtubs, furniture
Order no. 86033.1

TECHNICAL DRAWINGS / S 1 : 20



SET KARTELL BY LAUFEN

Pack washbasin with furniture

86033.3



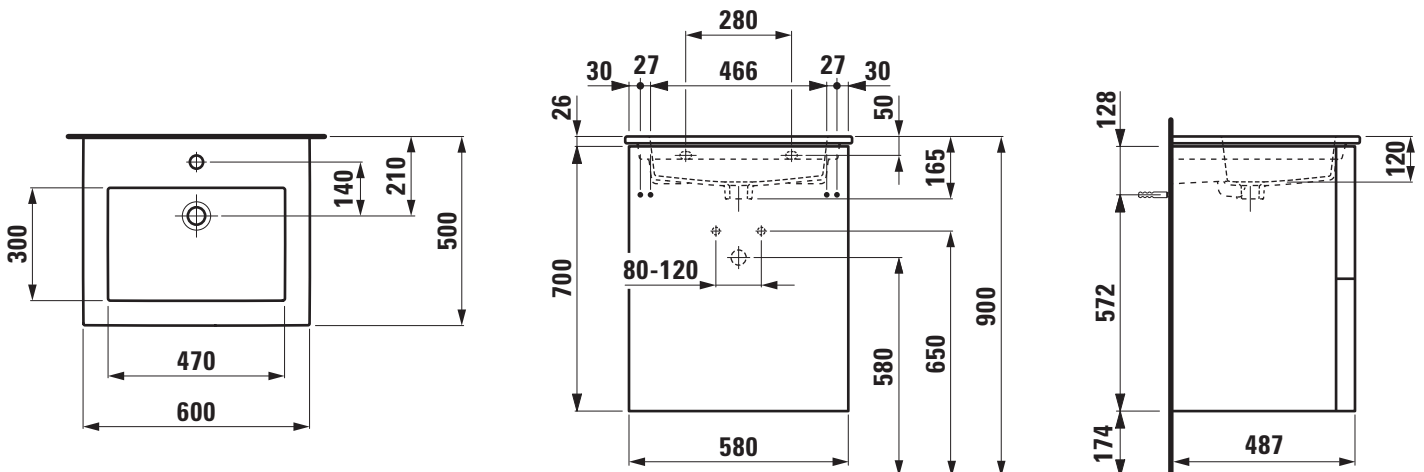
TECHNICAL DATA

Order no.	86033.3 – washbasin with vanity unit, 2 drawers	Mounting information	The walls installed on must meet the requirements of the furniture in terms of weight and the supplied fastening elements. If this cannot be guaranteed another method of installation needs to be chosen.
Certified to	Washbasin – EN 31	Colours ceramic	000 – White
Dimensions (WxHxD)	600 x 726 x 500 mm	Colours furniture	640 – White matt 641 – Pebble grey matt 642 – Slate grey matt
Basin capacity	not specified		
Matching			
side elements	Kartell by Laufen, order no. 40827.1, 40827.2		
Specification	Washbasin: Always to be fixed to the wall. Charge 104 – 1 centre tap hole Furniture: Body/Front – MDF board with lack laminate and ABS edges 2 push and pull full extension drawers (soft-close mechanism)		
Weight	49,5 kg		
Accessories excl.	Feet (2 pieces), aluminium, order no. 40766.0 Towel rail, anodized aluminium, order no. 49095.2		
Mounting acc. incl.	Installation set for furniture, order no. 49114.0, 49301.5		
Mounting acc. excl.	Space saving siphon, order no. 89424.1		

SPECIFICATION TEXT

Pack washbasin with furniture KARTELL BY LAUFEN
Washbasin: sanitary ceramic, EN 31, dimensions (WxD) 600 x 500 mm, angular, 1 centre tap hole
Special feature: overflow channel glazed
Vanity unit: Body/Front – MDF board with lack laminate and ABS edges, 2 push and pull drawers, dimensions (WxHxD) 580 x 700 x 487 mm
Further options / accessories: Towel rail anodized aluminium, bathtubs, furniture
Order no. 86033.3

TECHNICAL DRAWINGS / S 1 : 20



SET KARTELL BY LAUFEN

Pack washbasin with furniture

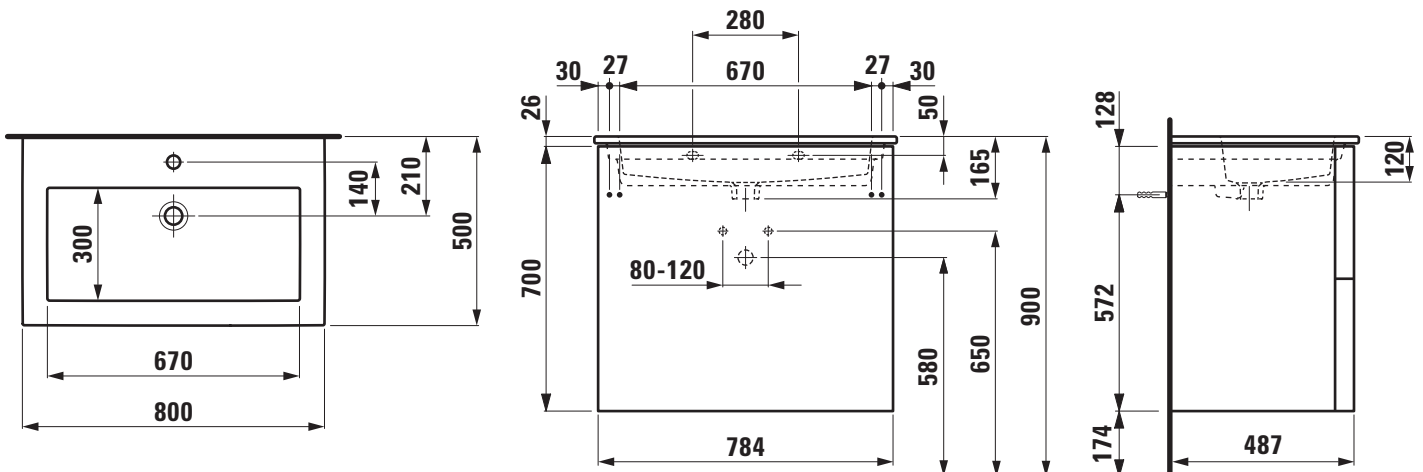
86033.5



TECHNICAL DATA

Order no.	86033.5 – washbasin with vanity unit, 2 drawers	Mounting information	The walls installed on must meet the requirements of the furniture in terms of weight and the supplied fastening elements. If this cannot be guaranteed another method of installation needs to be chosen.
Certified to	Washbasin – EN 31	Colours ceramic	000 – White
Dimensions (WxHxD)	800 x 726 x 500 mm	Colours furniture	640 – White matt 641 – Pebble grey matt 642 – Slate grey matt
Basin capacity	14.4 litre (up to bottom line of the overflow)		
Matching			
side elements	Kartell by Laufen, order no. 40827.1, 40827.2		
Specification	Washbasin: Always to be fixed to the wall. Charge 104 – 1 centre tap hole Furniture: Body/Front – MDF board with lack laminate and ABS edges 2 push and pull full extension drawers (soft-close mechanism)		
Weight	63,0 kg		
Accessories excl.	Feet (2 pieces), aluminium, order no. 40766.0 Towel rail, anodized aluminium, order no. 49095.2		
Mounting acc. incl.	Installation set for furniture, order no. 49114.0, 49301.5		
Mounting acc. excl.	Space saving siphon, order no. 89424.1		
		SPECIFICATION TEXT	
			Pack washbasin with furniture KARTELL BY LAUFEN Washbasin: sanitary ceramic, EN 31, dimensions (WxD) 800 x 500 mm, angular, 1 centre tap hole Special feature: overflow channel glazed Vanity unit: Body/Front – MDF board with lack laminate and ABS edges, 2 push and pull drawers, dimensions (WxHxD) 784 x 700 x 487 mm Further options / accessories: Towel rail anodized aluminium, bathtubs, furniture Order no. 86033.5

TECHNICAL DRAWINGS / S 1 : 20



SET KARTELL BY LAUFEN

Pack washbasin with furniture

86033.7



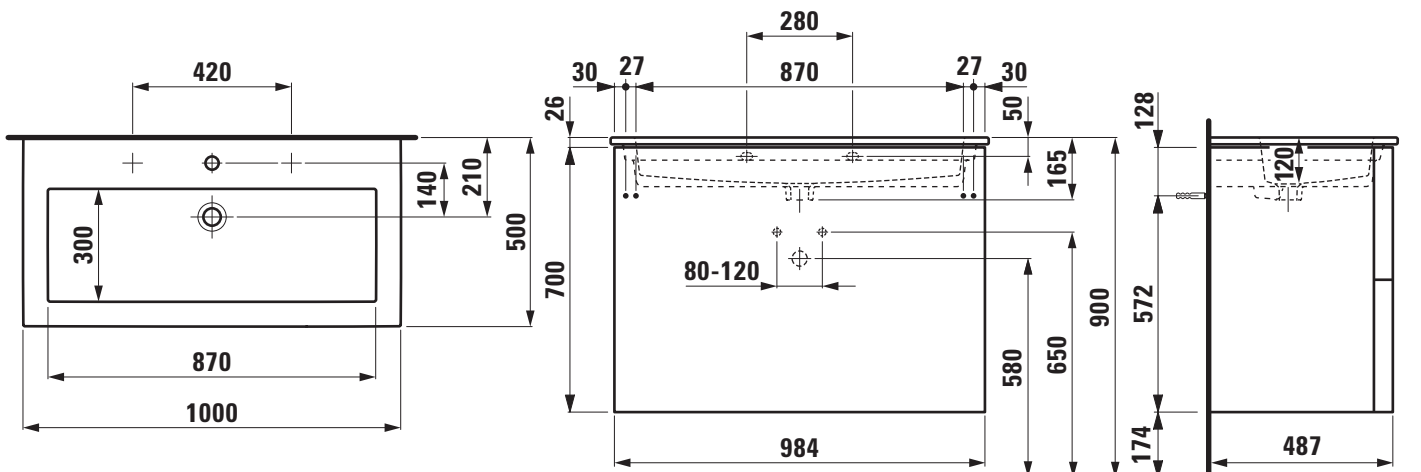
TECHNICAL DATA

Order no.	86033.7 – washbasin with vanity unit, 2 drawers	Mounting information	The walls installed on must meet the requirements of the furniture in terms of weight and the supplied fastening elements. If this cannot be guaranteed another method of installation needs to be chosen.
Certified to	Washbasin – EN 31	Colours ceramic	000 – White
Dimensions (WxHxD)	1000 x 733 x 500 mm	Colours furniture	640 – White matt 641 – Pebble grey matt 642 – Slate grey matt
Basin capacity	18.9 litre (up to bottom line of the overflow)		
Matching side elements	Kartell by Laufen, order no. 40827.1, 40827.2		
Specification	Washbasin: Always to be fixed to the wall. Charge 104 – 1 centre tap hole Charge 107 – 2 tap holes Furniture: Body/Front – MDF board with lack laminate and ABS edges 2 push and pull full extension drawers (soft-close mechanism)		
Weight	76,0 kg		
Accessories excl.	Feet (2 pieces), aluminium, order no. 40766.0 Towel rail, anodized aluminium, order no. 49095.2		
Mounting acc. incl.	Installation set for furniture, order no. 49114.0, 49301.5		
Mounting acc. excl.	Space saving siphon, order no. 89424.1		

SPECIFICATION TEXT

Pack washbasin with furniture KARTELL BY LAUFEN
Washbasin: sanitary ceramic, EN 31, dimensions (WxD) 1000 x 500 mm, angular
Charge 104 – 1 centre tap hole, Charge 107 – 2 tap holes
Special feature: overflow channel glazed
Vanity unit: Body/Front – MDF board with lack laminate and ABS edges, 2 push and pull drawers, dimensions (WxHxD) 984 x 700 x 487 mm
Further options / accessories: Towel rail anodized aluminium, bathtubs, furniture
Order no. 86033.7

TECHNICAL DRAWINGS / S 1 : 20





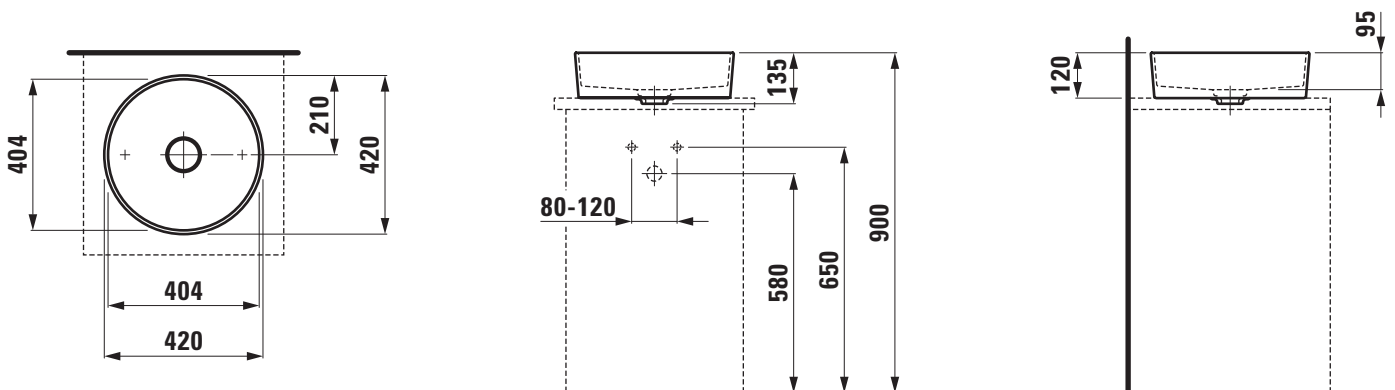
TECHNICAL DATA

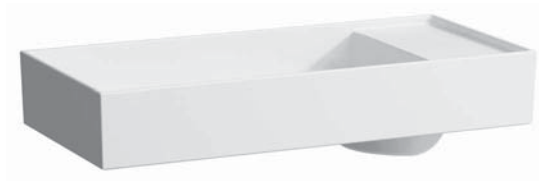
Order no.	81233.1
Certified to	EN 31
Dimensions	Ø 420 mm
Basin capacity	11.3 litre
Specification	Charge 112 – without tap hole without overflow
Weight	6,0 kg
Mounting acc. incl.	Template, order no. 89833.1 Fastening kit, order no. 89496.1 Valve without overflow always open, with ceramic valve cover plate, order no. 89818.8
Mounting acc. excl.	Siphon DN 32 chrome, order no. 89394.7
Otherwise	Use enclosed template for cutting.
Colours	see colour table

SPECIFICATION TEXT

Washbasin bowl KARTELL BY LAUFEN, SaphirKeramik EN 31, dimensions Ø 420 mm, round valve without overflow always open, with ceramic valve cover plate
Further options / accessories: Surface refinement LCC (only white), bathtubs, shower trays, furniture, accessories
Order no. 81233.1

TECHNICAL DRAWINGS / S 1 : 20





TECHNICAL DATA

Order no.	81233.2
Certified to	EN 31
Dimensions	750 x 350 mm
Inside dimensions of the basin	585 x 330 mm
Basin capacity	13.3 litre (basin without overflow)
Specification	with special hidden drain Charge 111 – 1 centre tap hole, without overflow
Special specification	Charge 112 – without tap holes, without overflow Charge 158 – 3 tap holes, without overflow
Weight	14,0 kg
Mounting acc. incl.	Valve pre-assembled Charge 111, 112, 158 – valve without overflow always open, order no. 89830.1
Mounting acc. incl.	Template, order no. 89833.2 Fastening kit, order no. 89496.1
Mounting acc. excl.	Siphon DN 32 chrome, order no. 89394.7
Otherwise	Use enclosed template for cutting.
Colours	see colour table

SPECIFICATION TEXT

Washbasin bowl KARTELL BY LAUFEN, SaphirKeramik
EN 31

dimensions 750 x 350 mm

1 centre tap hole, without overflow, valve without overflow always open

Special feature: with special hidden drain, valve pre-assembled

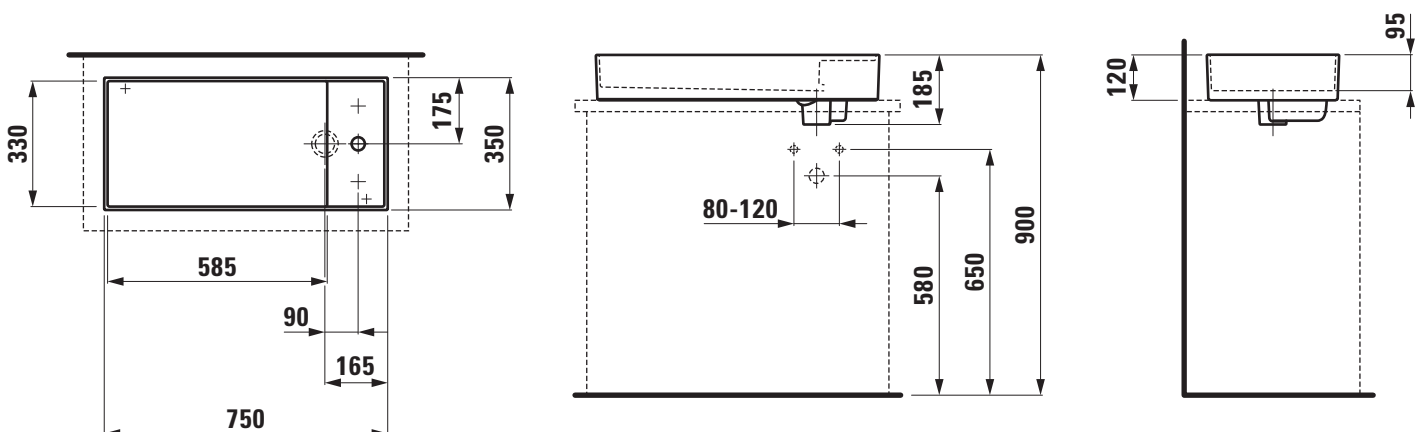
Further options / accessories: Surface refinement LCC (only white),

without tap holes and overflow, 3 tap holes without overflow,

bathtubs, shower trays, furniture, accessories

Order no. 81233.2

TECHNICAL DRAWINGS / S 1 : 20



SET KARTELL BY LAUFEN

Countertop small washbasin

81533.1



TECHNICAL DATA

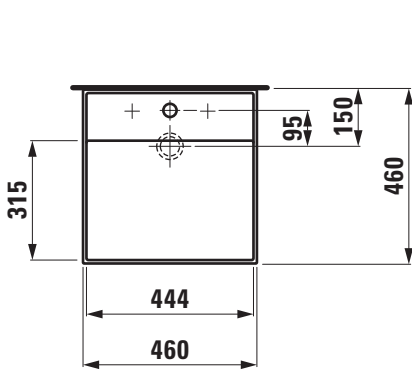
Order no.	81533.1
Certified to	EN 31
Dimensions	460 x 460 mm
Basin capacity	5.5 litre (basin with hidden overflow) 10.5 litre (basin without overflow)
Specification	with special hidden drain Charge 111 – 1 centre tap hole, without overflow
Special specification	Charge 112 – without tap holes, without overflow Charge 158 – 3 tap holes, without overflow Charge 815 – 1 centre tap hole, 1 hole right for mixing unit, without overflow Charge 814 – 1 centre tap hole, 1 hole right for mixing unit, hidden overflow
Weight	12,0 kg
Accessories excl.	Towel frame, order no. 38533.4

Mounting acc. incl.	Valve pre-assembled Charge 111, 112, 158, 815 – valve without overflow always open, order no. 89830.1 Charge 814 – pop up valve, order no. 89830.2
Mounting acc. excl.	Siphon DN 32 chrome, order no. 89394.7 Mounting set M10 x 140 mm, order no. 89988.2
Colours	see colour table

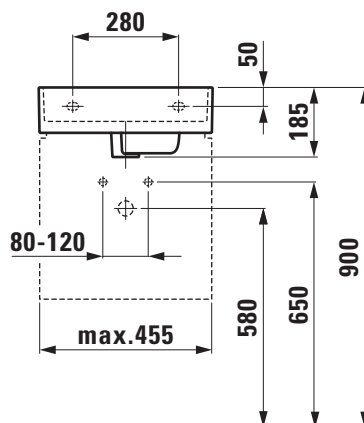
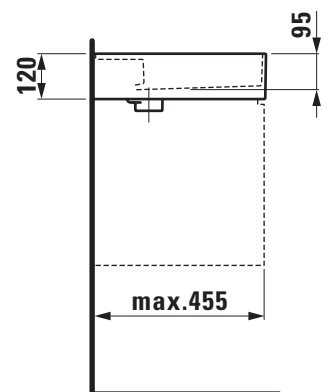
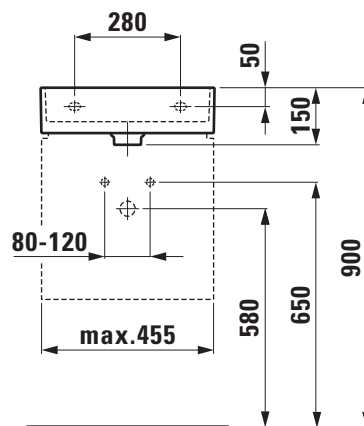
SPECIFICATION TEXT

Countertop small washbasin KARTELL BY LAUFEN, SaphirKeramik EN 31, dimensions 460 x 460 mm, square
1 centre tap hole, without overflow, valve without overflow always open
Special feature: with special hidden drain, valve pre-assembled
Further options / accessories: Surface refinement LCC (only white), without tap holes and overflow, 3 tap holes without overflow, 1 centre tap hole with 1 hole right for mixing unit and without overflow, 1 centre tap hole with 1 hole right for mixing unit and hidden overflow, towel frame, bathtubs, shower trays, furniture, accessories
Order no. 81533.1

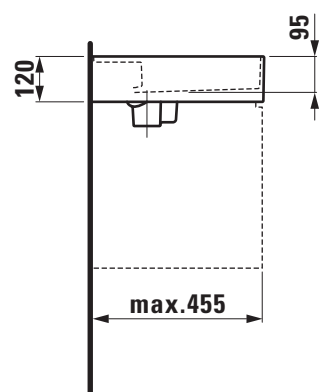
TECHNICAL DRAWINGS / S 1 : 20



Charge 111, 112, 158, 815



Charge 814



Small washbasin undersurface ground

81833.1



TECHNICAL DATA

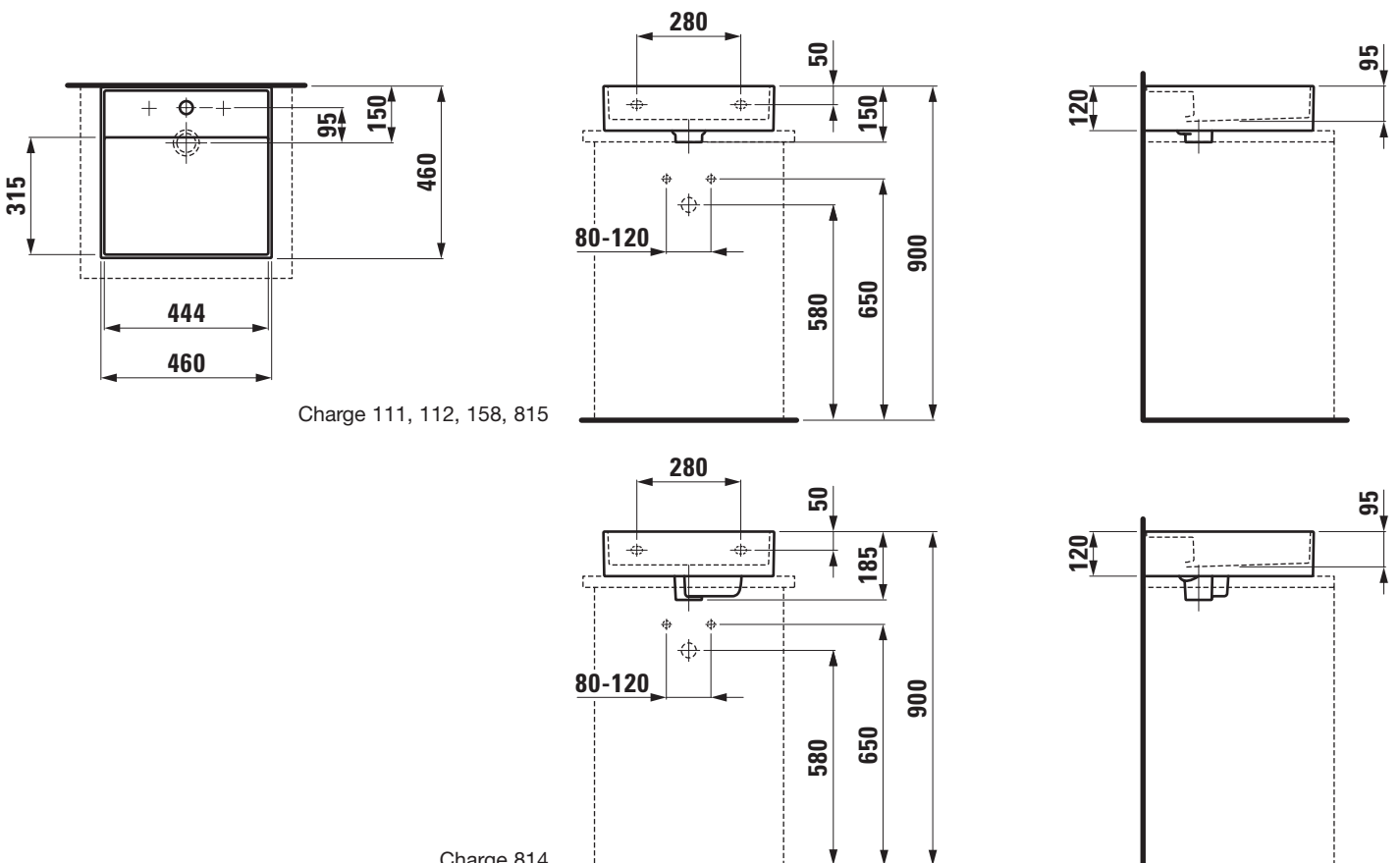
Order no.	81833.1
Certified to	EN 31
Dimensions	460 x 460 mm
Basin capacity	5.5 litre (basin with hidden overflow) 10.5 litre (basin without overflow)
Specification	Always to be fixed to the wall. with special hidden drain Charge 111 – 1 centre tap hole, without overflow
Special specification	Charge 112 – without tap holes, without overflow Charge 158 – 3 tap holes, without overflow Charge 815 – 1 centre tap hole, 1 hole right for mixing unit, without overflow Charge 814 – 1 centre tap hole, 1 hole right for mixing unit, hidden overflow
Weight	12,0 kg
Mounting acc. incl.	Template, order no. 89633.1

Mounting acc. incl.	Valve pre-assembled Charge 111, 112, 158, 815 – valve without overflow always open, order no. 89830.1 Charge 814 – pop up valve, order no. 89830.2
Mounting acc. excl.	Siphon DN 32 chrome, order no. 89394.7 Mounting set M10 x 140 mm, order no. 89988.2
Colours	see colour table

SPECIFICATION TEXT

Small washbasin undersurface ground KARTELL BY LAUFEN, SaphirKeramik, EN 31, dimensions 460 x 460 mm, square
1 centre tap hole, without overflow, valve without overflow always open
Special feature: with special hidden drain, valve pre-assembled
Further options / accessories: Surface refinement LCC (only white), without tap holes and overflow, 3 tap holes without overflow, 1 centre tap hole with 1 hole right for mixing unit and without overflow, 1 centre tap hole with 1 hole right for mixing unit and hidden overflow, towel frame, bathtubs, shower trays, furniture, accessories
Order no. 81833.1

TECHNICAL DRAWINGS / S 1 : 20



Charge 111, 112, 158, 815

Charge 814



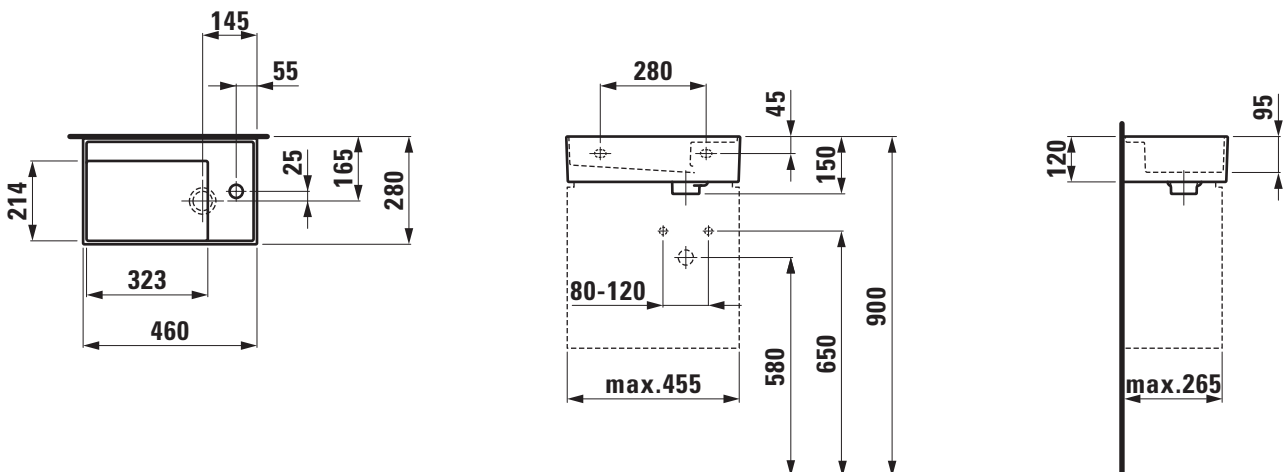
TECHNICAL DATA

Order no.	81533.4
Certified to	EN 31
Dimensions	460 x 280 mm
Basin capacity	not specified
Specification	with special hidden drain Charge 111 – 1 centre tap hole, without overflow
Special specification	Charge 112 – without tap holes, without overflow
Weight	8,0 kg
Mounting acc. incl.	Valve pre-assembled Charge 111, 112 – valve without overflow always open, order no. 89830.1
Mounting acc. excl.	Siphon DN 32 chrome, order no. 89394.7 Mounting set M10 x 140 mm, order no. 89988.2
Colours	see colour table

SPECIFICATION TEXT

Countertop small washbasin KARTELL BY LAUFEN, SaphirKeramik EN 31, dimensions 460 x 280 mm
1 centre tap hole, without overflow, valve without overflow always open
Special feature: with special hidden drain, valve pre-assembled
Further options / accessories: Surface refinement LCC (only white), without tap holes and overflow, 1 centre tap hole with hidden overflow, bathtubs, shower trays, furniture, accessories
Order no. 81533.4

TECHNICAL DRAWINGS / S 1 : 20





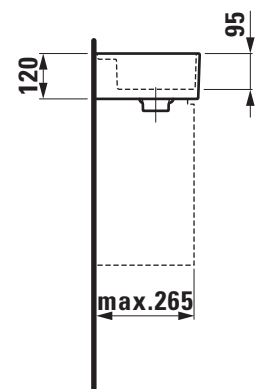
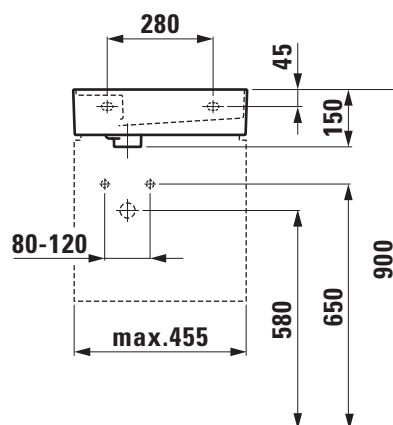
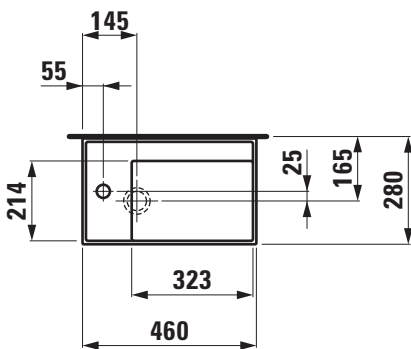
TECHNICAL DATA

Order no.	81533.5
Certified to	EN 31
Dimensions	460 x 280 mm
Basin capacity	not specified
Specification	with special hidden drain Charge 111 – 1 centre tap hole, without overflow
Special specification	Charge 112 – without tap holes, without overflow
Weight	8,0 kg
Mounting acc. incl.	Valve pre-assembled Charge 111, 112 – valve without overflow always open, order no. 89830.1
Mounting acc. excl.	Siphon DN 32 chrome, order no. 89394.7 Mounting set M10 x 140 mm, order no. 89988.2
Colours	see colour table

SPECIFICATION TEXT

Countertop small washbasin KARTELL BY LAUFEN, SaphirKeramik EN 31, dimensions 460 x 280 mm
1 centre tap hole, without overflow, valve without overflow always open
Special feature: with special hidden drain, valve pre-assembled
Further options / accessories: Surface refinement LCC (only white), without tap holes and overflow, 1 centre tap hole with hidden overflow, bathtubs, shower trays, furniture, accessories
Order no. 81533.5

TECHNICAL DRAWINGS / S 1 : 20



SET KARTELL BY LAUFEN

Floorstanding WC combination rimless

82433.7



TECHNICAL DATA

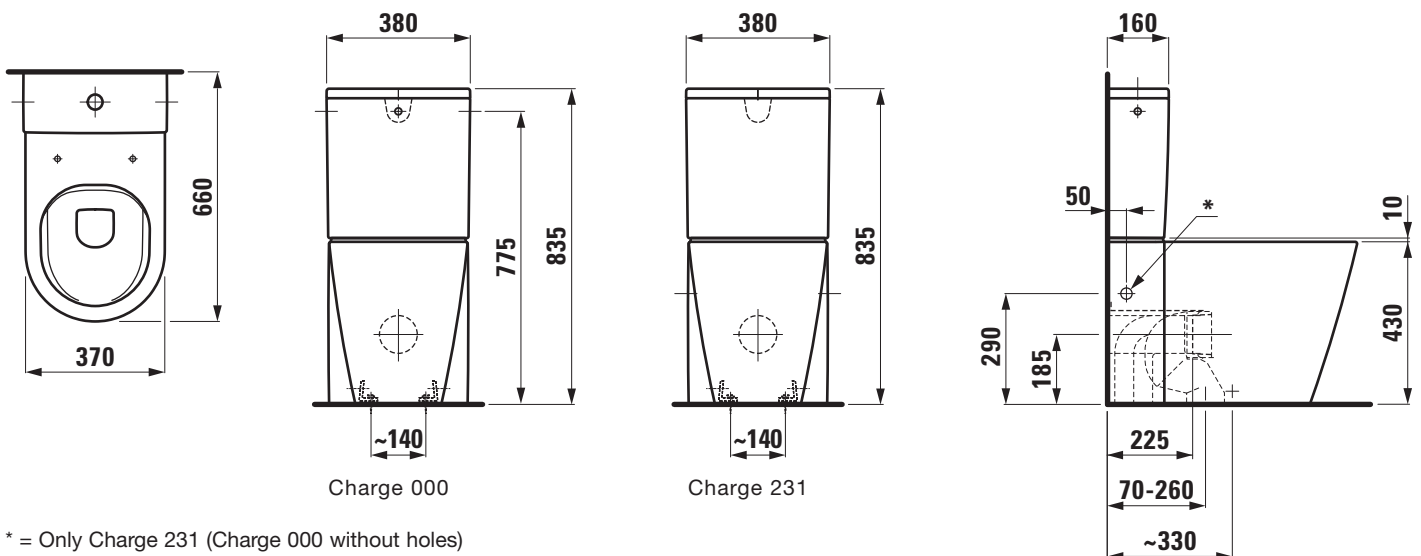
Order no.	82433.7
Certified to	EN 997 / EN 33
Specification	rimless Washdown for 5/3-l-flush Charge 000 – 2 fixing holes, without lateral holes
Special specification	Charge 231 – 2 fixing holes, with lateral holes
Outlet	horizontal VARIO, vertical 70 - 260 mm
Weight	33,5 kg
Accessories excl.	Charge 000 – Cistern, order no. 82933.1, 82933.2 Charge 231 – Cistern, order no. 82933.3, 82933.5 WC seat and cover, order no. 89133.2 WC seat and cover with automatic lowering system, order no. 89133.3
Mounting acc. incl.	Fixing set, order no. 89175.7

Mounting acc. excl.	for VARIO-outlet 70 - 205 mm LAUFEN-connection, order no. 89009.2 for VARIO-outlet 220 - 260 mm only LAUFEN-connection, order no. 89902.5
Colours	see colour table

SPECIFICATION TEXT

Floorstanding WC pan rimless washdown KARTELL BY LAUFEN, sanitary ceramic, for cistern, EN 997, EN 33
5/3-l-flush, dimensions 370 x 660 x 440 mm
outlet horizontal, VARIO vertical 70 - 260 mm
back to wall, concealed fixation, 2 fixing holes
Special feature: rimless, concealed surfaces directing water are fully glazed throughout, vacuum checked
Further options / accessories: Surface refinement LCC (only white), 2 lateral holes (option 231), cistern 82933.1 (option 000), 82933.1 (option 231), WC seat and cover 89133.2, WC seat and cover with automatic lowering 89133.3
Order no. 82433.7

TECHNICAL DRAWINGS / S 1 : 20



* = Only Charge 231 (Charge 000 without holes)



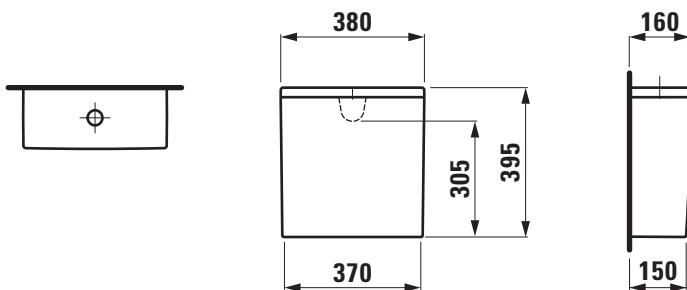
TECHNICAL DATA

Order no.	82933.1
Certified to	EN 14055
matching for	Floorstanding WC pan order no. 82433.7 / Charge 000
Specification	Flushing mechanism Dual-Flush With water condensation insulation: Charge 871 – 5/3-l (6/3-l-flush, 4,5/3-l-flush) Without water condensation insulation: Charge 874 – 5/3-l (6/3-l-flush, 4,5/3-l-flush)
Water inlet	rear, 1/2" brass
Weight	13,0 kg
Mounting acc. incl.	Fastening kit Angle valve for rear water inlet Water inlet hose
Colours	see colour table

SPECIFICATION TEXT

Cistern KARTELL BY LAUFEN, sanitary ceramic
EN 14055
dimensions 380 x 160 x 395 mm
Dual-Flush 5/3-l (6/3-l-flush, 4,5/3-l-flush)
water inlet rear, 1/2" brass
matching floorstanding WC pan rimless, order no. 82433.7/option 000
Special feature: with or without water condensation insulation
Order no. 82933.1

TECHNICAL DRAWINGS / S 1 : 20



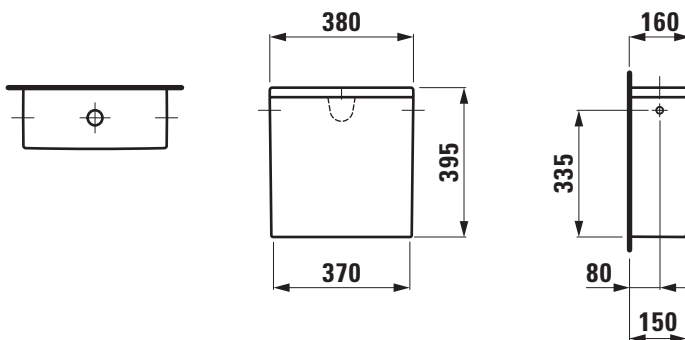


TECHNICAL DATA

Order no.	82933.2	Cistern KARTELL BY LAUFEN, sanitary ceramic EN 14055
Certified to	EN 14055	
matching for	Floorstanding WC pan order no. 82433.7 / Charge 000	dimensions 380 x 160 x 395 mm
Specification	Flushing mechanism Dual-Flush With water condensation insulation: Charge 872 – 5/3-l (6/3-l-flush, 4,5/3-l-flush) Without water condensation insulation: Charge 876 – 5/3-l (6/3-l-flush, 4,5/3-l-flush)	Dual-Flush 5/3-l (6/3-l-flush, 4,5/3-l-flush) water inlet side left, side right, 3/8" brass matching floorstanding WC pan rimless, order no. 82433.7/option 000 Special feature: with or without water condensation insulation Order no. 82933.2
Water inlet	side left, side right, 3/8" brass	
Weight	13,0 kg	
Mounting acc. incl.	Fastening kit	
Mounting acc. excl.	Angle valve for water inlet Water inlet hose	
Colours	see colour table	

SPECIFICATION TEXT

TECHNICAL DRAWINGS / S 1 : 20



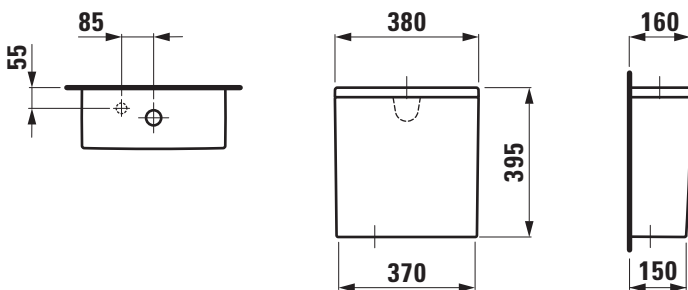


TECHNICAL DATA

Order no.	82933.3	Cistern KARTELL BY LAUFEN, sanitary ceramic dimensions 380 x 160 x 395 mm Dual-Flush 5/3-l (6/3-l-flush, 4,5/3-l-flush) water inlet bottom left, 1/2" plastic matching floorstanding WC pan rimless, order no. 82433.7/option 231 Special feature: without water condensation insulation Order no. 82933.3
matching for	Floorstanding WC pan order no. 82433.7 / Charge 231	
Specification	Flushing mechanism Dual-Flush Without water condensation insulation Charge 873 – 5/3-l (6/3-l-flush, 4,5/3-l-flush)	
Water inlet	bottom left, 1/2" plastic	
Weight	13,0 kg	
Mounting acc. incl.	Fastening kit	
Mounting acc. excl.	Angle valve for water inlet Water inlet hose	
Colours	see colour table	

SPECIFICATION TEXT

TECHNICAL DRAWINGS / S 1 : 20



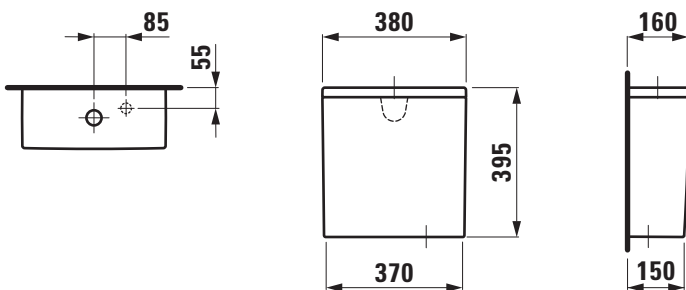


TECHNICAL DATA

Order no.	82933.5	Cistern KARTELL BY LAUFEN, sanitary ceramic dimensions 380 x 160 x 395 mm Dual-Flush 5/3-l (6/3-l-flush, 4,5/3-l-flush) water inlet bottom right, 1/2" plastic matching floorstanding WC pan rimless, order no. 82433.7/option 231 Special feature: without water condensation insulation Order no. 82933.5
matching for	Floorstanding WC pan order no. 82433.7 / Charge 231	
Specification	Flushing mechanism Dual-Flush Without water condensation insulation Charge 873 – 5/3-l (6/3-l-flush, 4,5/3-l-flush)	
Water inlet	bottom right, 1/2" plastic	
Weight	13,0 kg	
Mounting acc. incl.	Fastening kit	
Mounting acc. excl.	Angle valve for water inlet Water inlet hose	
Colours	see colour table	

SPECIFICATION TEXT

TECHNICAL DRAWINGS / S 1 : 20



**Floorstanding cistern, two-part Universal for floorstanding WC pan
82966.0**



TECHNICAL DATA

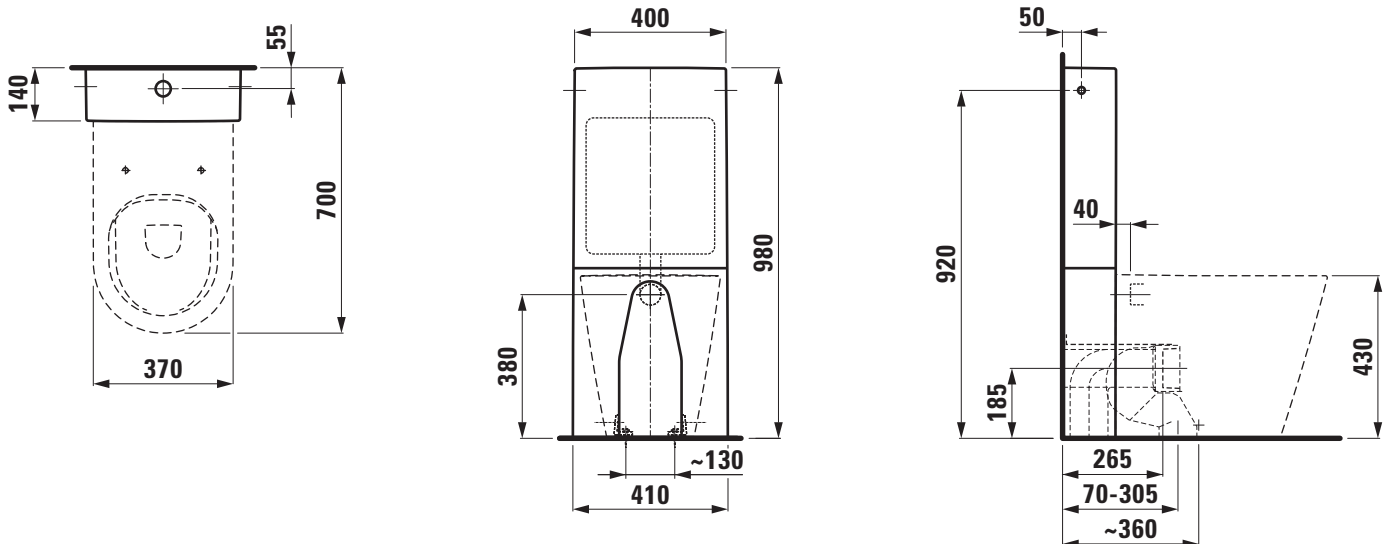
Order no.	82966.0
Certified to	EN 14055
matching for	Floorstanding WC pan rimless, order no. 82333.7
Specification	Floorstanding, consisting of two-parts Flushing mechanism Dual-Flush water condensation insulation Charge 882 – 6/3-l (5/3-l-flush, 4,5/3-l-flush)
Water inlet	side left, side right, 3/8" brass
Weight	21,0 kg
Mounting acc. incl.	Fastening kit
Mounting acc. excl.	for VARIO-outlet 70 - 220 mm LAUFEN- connection, order no. 89009.2 for VARIO-outlet 220 - 305 mm only LAUFEN- connection, order no. 89902.5 Angle valve for water inlet Water inlet hose

Colours see colour table

SPECIFICATION TEXT

Floorstanding cistern, two-part Universal Laufen-KARTELL BY LAUFEN,
sanitary ceramic
EN 14055
dimensions 400/410 x 140 x 980 mm
Dual-Flush 6/3-l (5/3-l-flush, 4,5/3-l-flush)
water inlet side left, side right, 3/8" brass
matching floorstanding WC pan rimless, order no. 82333.7
Special feature: water condensation insulation
Order no. 82966.0

TECHNICAL DRAWINGS / S 1 : 20



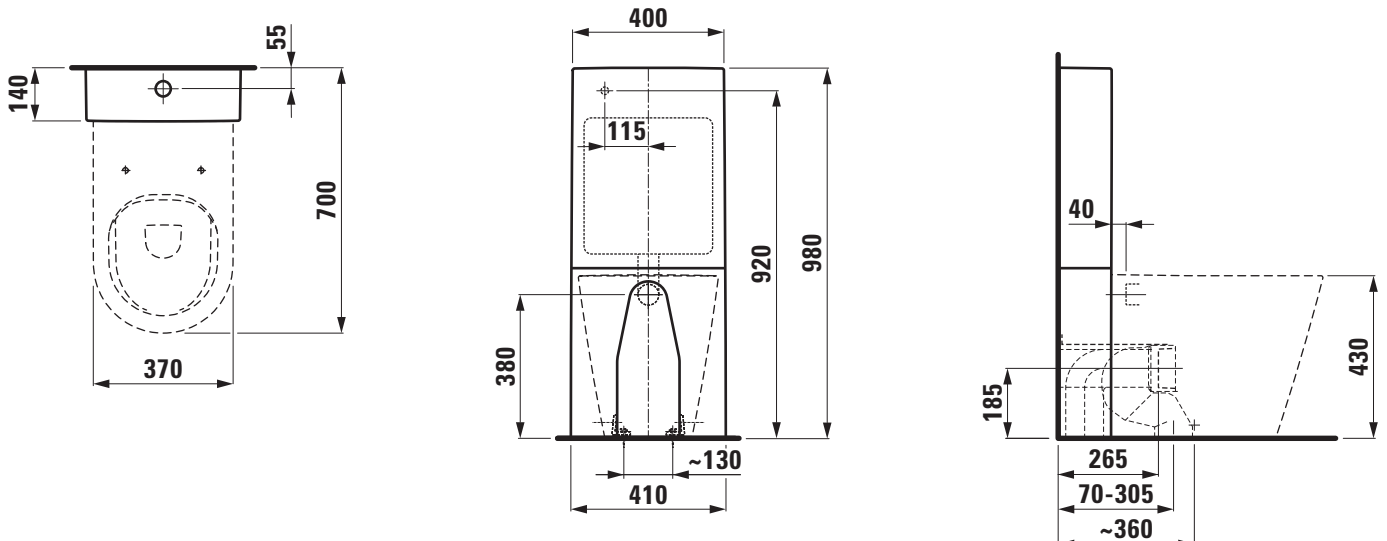
**Floorstanding cistern, two-part Universal for floorstanding WC pan
82966.1**



TECHNICAL DATA

Order no.	82966.1	Mounting acc. excl.	for VARIO-outlet 70 - 220 mm LAUFEN-connection, order no. 89009.2
Certified to	EN 14055		for VARIO-outlet 220 - 305 mm only LAUFEN-connection, order no. 89902.5
matching for	Floorstanding WC pan rimless, order no. 82333.7	Colours	see colour table
Specification	Floorstanding, consisting of two-parts Flushing mechanism Dual-Flush water condensation insulation Charge 881 – 6/3-l (5/3-l-flush, 4,5/3-l-flush)	SPECIFICATION TEXT	Floorstanding cistern, two-part Universal Laufen-KARTELL BY LAUFEN, sanitary ceramic EN 14055 dimensions 400/410 x 140 x 980 mm Dual-Flush 6/3-l (5/3-l-flush, 4,5/3-l-flush) concealed water inlet top left rear, 1/2" brass matching floorstanding WC pan rimless, order no. 82333.7 Special feature: water condensation insulation Order no. 82966.1
Water inlet	concealed top left rear, 1/2" brass		
Weight	21,0 kg		
Mounting acc. incl.	Fastening kit Angle valve for rear water inlet Water inlet hose		

TECHNICAL DRAWINGS / S 1 : 20



**Floorstanding cistern, two-part Universal for floorstanding WC pan
82966.3**



TECHNICAL DATA

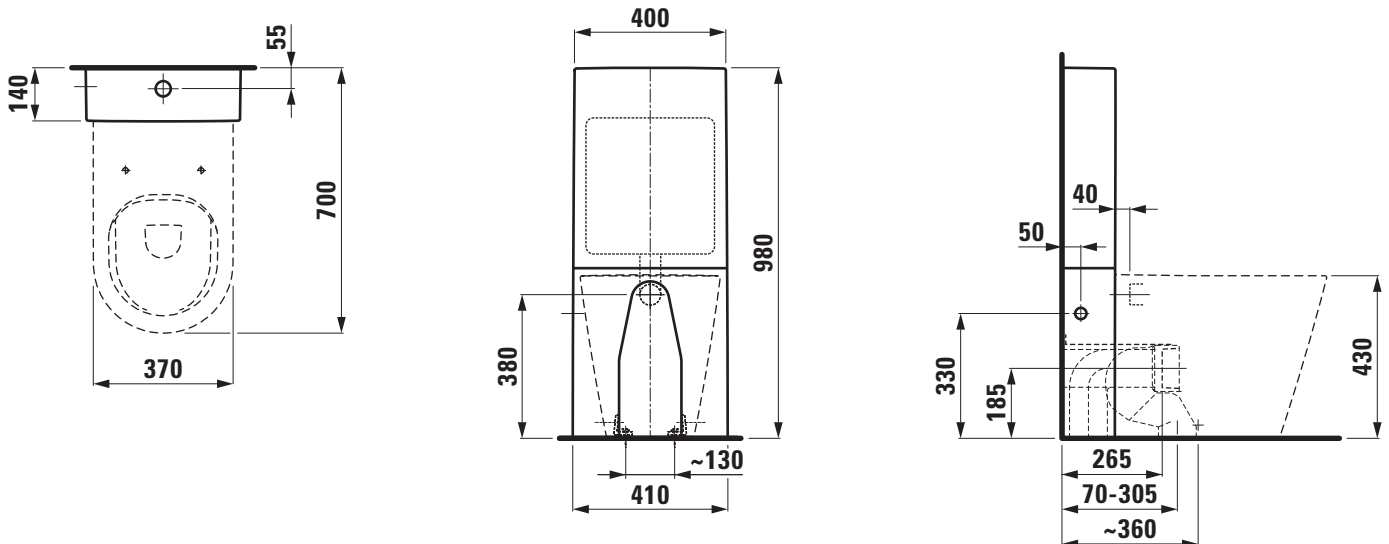
Order no.	82966.3
Certified to	EN 14055
matching for	Floorstanding WC pan rimless, order no. 82333.7
Specification	Floorstanding, consisting of two-parts Flushing mechanism Dual-Flush water condensation insulation Charge 883 – 6/3-l (5/3-l-flush, 4,5/3-l-flush)
Water inlet	bottom left, 1/2" plastic
Weight	21,0 kg
Mounting acc. incl.	Fastening kit
Mounting acc. excl.	for VARIO-outlet 70 - 220 mm LAUFEN- connection, order no. 89009.2 for VARIO-outlet 220 - 305 mm only LAUFEN- connection, order no. 89902.5 Angle valve for water inlet Water inlet hose

Colours see colour table

SPECIFICATION TEXT

Floorstanding cistern, two-part Universal Laufen-KARTELL BY LAUFEN,
sanitary ceramic
EN 14055
dimensions 400/410 x 140 x 980 mm
Dual-Flush 6/3-l (5/3-l-flush, 4,5/3-l-flush)
water inlet bottom left, 1/2" plastic
matching floorstanding WC pan rimless, order no. 82333.7
Special feature: water condensation insulation
Order no. 82966.3

TECHNICAL DRAWINGS / S 1 : 20



**Floorstanding cistern, two-part Universal for floorstanding WC pan
82966.4**



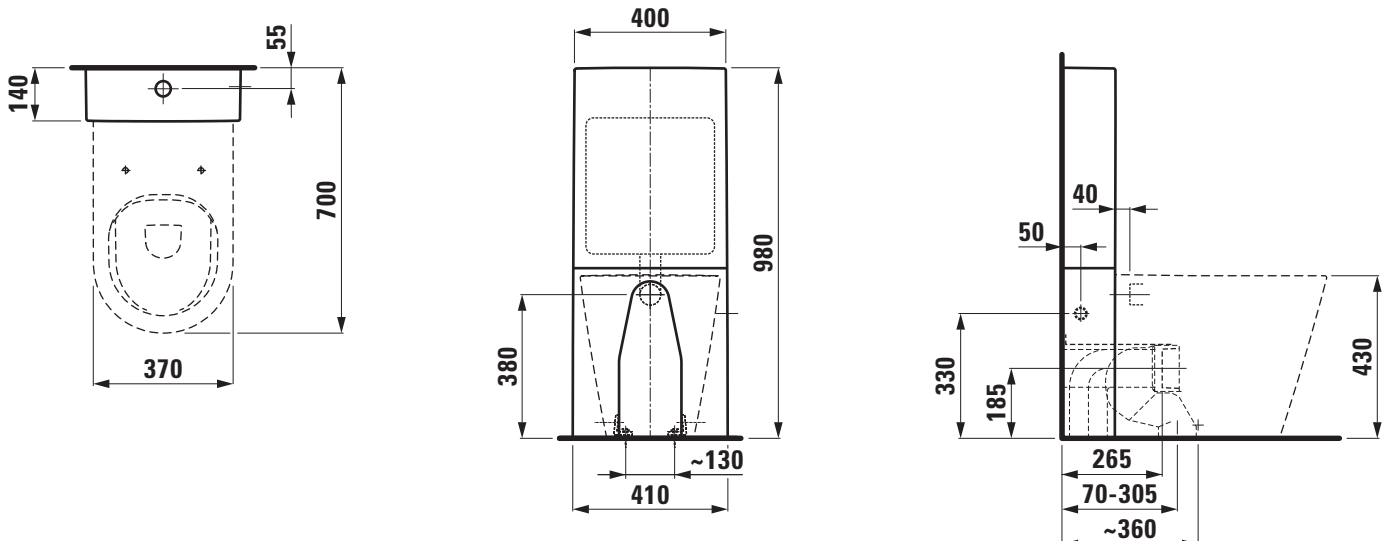
TECHNICAL DATA

Order no.	82966.4
Certified to	EN 14055
matching for	Floorstanding WC pan rimless, order no. 82333.7
Specification	Floorstanding, consisting of two-parts Flushing mechanism Dual-Flush Charge 884 – 6/3-l (5/3-l-flush, 4,5/3-l-flush)
Water inlet	bottom right, 1/2" plastic
Weight	21,0 kg
Mounting acc. incl.	Fastening kit
Mounting acc. excl.	for VARIO-outlet 70 - 220 mm LAUFEN- connection, order no. 89009.2 for VARIO-outlet 220 - 305 mm only LAUFEN- connection, order no. 89902.5 Angle valve for water inlet Water inlet hose
Colours	see colour table

SPECIFICATION TEXT

Floorstanding cistern, two-part Universal Laufen-KARTELL BY LAUFEN,
sanitary ceramic
EN 14055
dimensions 400/410 x 140 x 980 mm
Dual-Flush 6/3-l (5/3-l-flush, 4,5/3-l-flush)
water inlet bottom right, 1/2" plastic
matching floorstanding WC pan rimless, order no. 82333.7
Order no. 82966.4

TECHNICAL DRAWINGS / S 1 : 20



SET KARTELL BY LAUFEN

Floorstanding WC pan rimless

82333.7



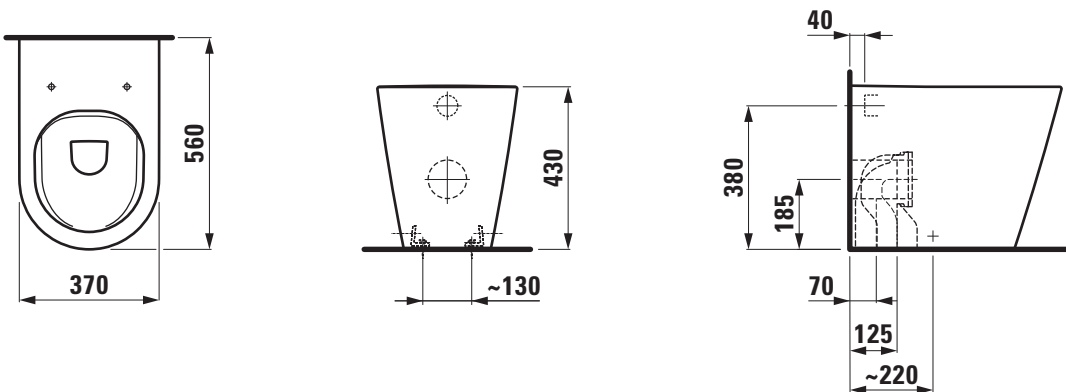
TECHNICAL DATA

Order no.	82333.7
Certified to	EN 997, EN 33
Specification	rimless Washdown for 4,5/3-l-flush back to wall
Outlet	horizontal vertical 70 and 125 mm
Weight	28,0 kg
Accessories excl.	Floorstanding cistern two-part Universal, order no. 82966.0, 82966.1, 82966.3, 82966.4 WC seat and cover, order no. 89133.2 WC seat and cover with automatic lowering system, order no. 89133.3
Mounting acc. incl.	Device for fixing, order no. 89175.7
Mounting acc. excl.	for outlet vertical 70 mm LAUFEN-connection set, order no. 89009.2 for outlet vertical 125 mm LAUFEN-connection set, order no. 89902.7
Colours	see colour table

SPECIFICATION TEXT

Floorstanding WC pan rimless washdown KARTELL BY LAUFEN sanitary ceramic, for concealed cistern and floorstanding cistern Universal
EN 997, EN 33, 4,5/3-l-flush, dimensions 370 x 560 x 430 mm,
outlet horizontal, vertical 70 and 125 mm
back to wall, concealed trap, concealed fixation
Special feature: rimless, concealed surfaces directing water are fully glazed throughout, closed water rim, vacuum checked
Further options / accessories: Surface refinement LCC (only white),
floorstanding cistern two-part Universal 82966.0, 82966.1, 82966.3,
82966.4, WC seat and cover 89133.2, WC seat and cover with automatic
lowering 89133.3
Order no. 82333.7

TECHNICAL DRAWINGS / S 1 : 20



SET KARTELL BY LAUFEN

Wallhung WC rimless

82033.7



TECHNICAL DATA

Order no.	82033.7
Certified to	EN 997, EN 33
Specification	rimless Washdown for min. 4,5/3-l-flush
Weight	23,0 kg
Accessories excl.	Seat and cover, order no. 89133.2 Seat and cover with automatic lowering system, order no. 89133.3
Mounting acc. incl.	laufen EasyFit system M12, order no. 89282.7
Mounting acc. excl.	Stone screw fastening kit M12
Colours	see colour table

SPECIFICATION TEXT

Wallhung WC rimless washdown KARTELL BY LAUFEN, sanitary ceramic, for concealed cistern

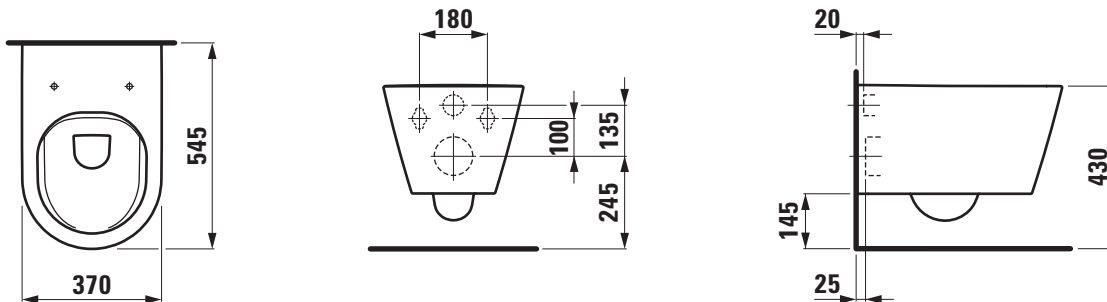
EN 997, EN 33, min. 4,5/3-l-flush, dimensions 370 x 545 x 340 mm
concealed trap, concealed fixation

Special feature: rimless, concealed surfaces directing water are fully glazed throughout, vacuum checked

Further options / accessories: Surface refinement LCC (only white), WC seat and cover, 89133.2, WC seat and cover with automatic lowering 89133.3

Order no. 82033.7

TECHNICAL DRAWINGS / S 1 : 20



SET KARTELL BY LAUFEN

Wallhung WC rimless Compact

82033.3



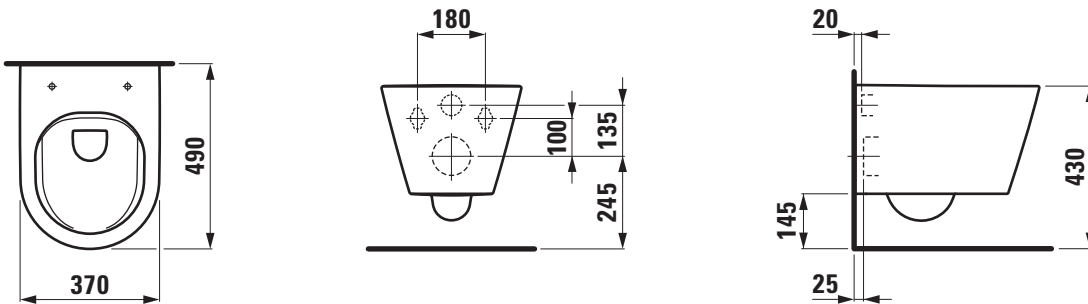
TECHNICAL DATA

Order no.	82033.3
Certified to	EN 997, EN 33
Specification	rimless Washdown for min. 4,5/3-l-flush
Weight	17,9 kg
Accessories excl.	Seat and cover, order no. 89133.2 Seat and cover with automatic lowering system, order no. 89133.3
Mounting acc. incl.	laufen EasyFit system M12, order no. 89282.7
Mounting acc. excl.	Stone screw fastening kit M12
Colours	see colour table

SPECIFICATION TEXT

Compact wallhung WC rimless washdown KARTELL BY LAUFEN, sanitary ceramic, for concealed cistern
EN 997, EN 33, min. 4,5/3-l-flush, dimensions 370 x 490 x 340 mm
concealed trap, concealed fixation
Special feature: rimless, concealed surfaces directing water are fully glazed throughout, vacuum checked
Further options / accessories: Surface refinement LCC (only white), WC seat and cover, 89133.2, WC seat and cover with automatic lowering 89133.3
Order no. 82033.3

TECHNICAL DRAWINGS / S 1 : 20





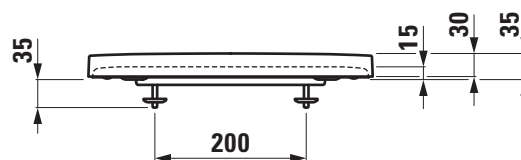
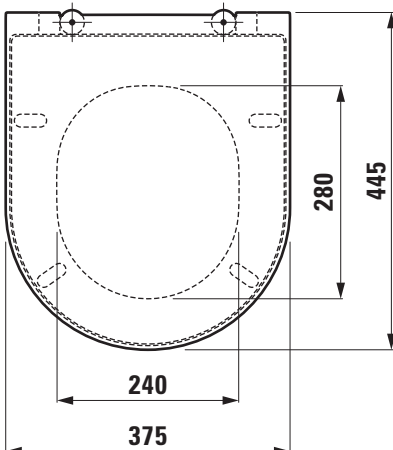
TECHNICAL DATA

Order no.	89133.2
matching for	Floorstanding WC pan rimless, order no. 82333.7, 82433.7 Wallhung WC rimless, order no. 82033.3, 82033.7
Specification	removable
Weight	2,1 kg
Mounting acc.	included
Colours	see colour table

SPECIFICATION TEXT

WC seat and cover KARTELL BY LAUFEN, Duroplast removable
matching floorstanding WC pan rimless, order no. 82333.7, 82433.7 and
wallhung WC rimless, order no. 82033.3, 82033.7
Order no. 89133.2

TECHNICAL DRAWINGS / S 1 : 10



Seat and cover with automatic lowering system
89133.3



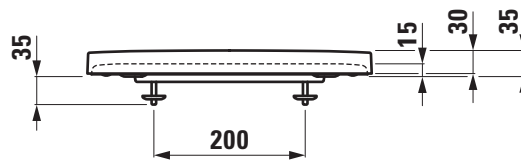
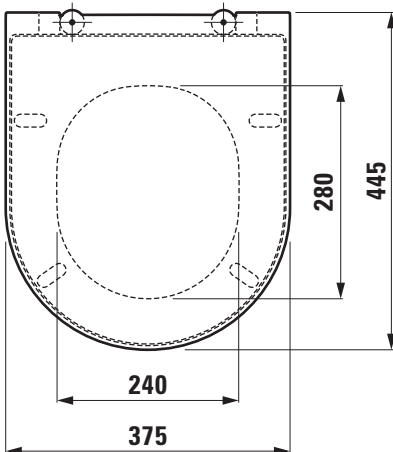
TECHNICAL DATA

Order no.	89133.3
matching for	Floorstanding WC pan rimless, order no. 82333.7, 82433.7 Wallhung WC rimless, order no. 82033.3, 82033.7
Specification	removable with automatic lowering system
Weight	2,1 kg
Mounting acc.	included
Colours	see colour table

SPECIFICATION TEXT

WC seat and cover KARTELL BY LAUFEN, Duroplast removable, automatic lowering system matching floorstanding WC pan rimless, order no. 82333.7, 82433.7 and wallhung WC rimless, order no. 82033.3, 82033.7
 Order no. 89133.3

TECHNICAL DRAWINGS / S 1 : 10



SET KARTELL BY LAUFEN

Floorstanding bidet

83233.1



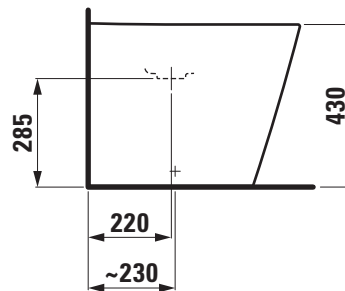
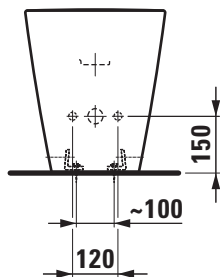
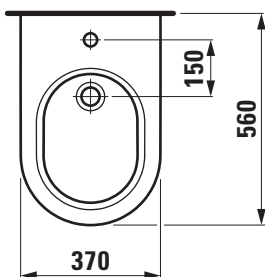
TECHNICAL DATA

Order no.	83233.1
Certified to	EN 35
Specification	back to wall Charge 302 – 1 centre tap hole
Weight	22,0 kg
Mounting acc. incl.	Waste and overflow system, order no. 89194.4 Chrome-plated cover, order no. 89194.9 Device for fixing, order no. 89175.7
Mounting acc. excl.	Ceramic valve cover plate, order no. 89819.0
Colours	see colour table

SPECIFICATION TEXT

Floorstanding bidet KARTELL BY LAUFEN sanitary ceramic EN 35, dimensions 370 x 560 x 430 mm
1 centre tap hole, waste and overflow system, chrome-plated cover back to wall, concealed trap, concealed fixation
Special feature: overflow channel glazed, vacuum checked
Further options: Surface refinement LCC (only white), ceramic valve cover plate
Order no. 83233.1

TECHNICAL DRAWINGS / S 1 : 20





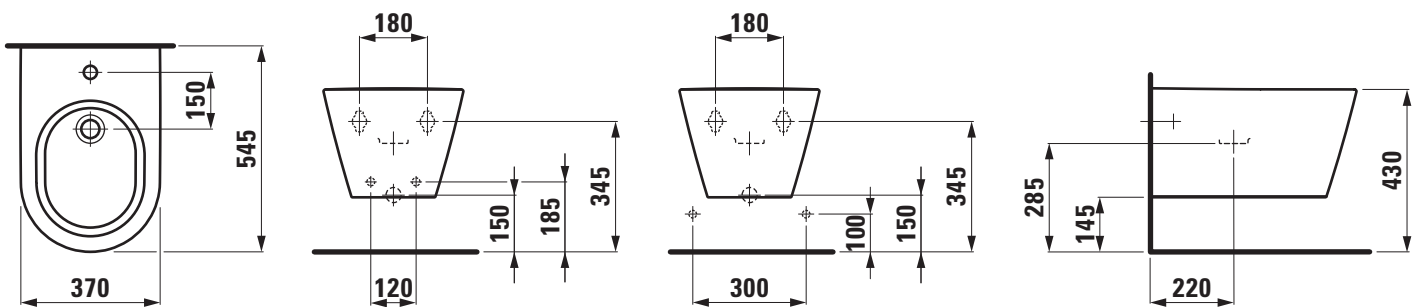
TECHNICAL DATA

Order no.	83033.1
Certified to	EN 36
Specification	Charge 302 – 1 centre tap hole without lateral holes Installation available with internal or external corner valves.
Weight	16,0 kg
Mounting acc. incl.	Waste and overflow system, order no. 89194.4 Chrome-plated cover, order no. 89194.9 laufen EasyFit system M12, order no. 89282.7
Mounting acc. excl.	Ceramic valve cover plate, order no. 89819.0 Siphon DN 40, order no. 89394.8 Stone screw fastening kit M12
Colours	see colour table

SPECIFICATION TEXT

Wallhung bidet KARTELL BY LAUFEN, sanitary ceramic EN 36, dimensions 370 x 545 x 285 mm
1 centre tap hole, waste and overflow system, chrome-plated cover concealed fixation, without lateral holes
Special feature: vacuum checked, installation available with internal or external corner valves
Further options: Surface refinement LCC (only white), ceramic valve cover plate
Order no. 83033.1

TECHNICAL DRAWINGS / S 1 : 20



THE NEW CLASSIC

SET THE NEW CLASSIC

Vanity washbasin

81385.3



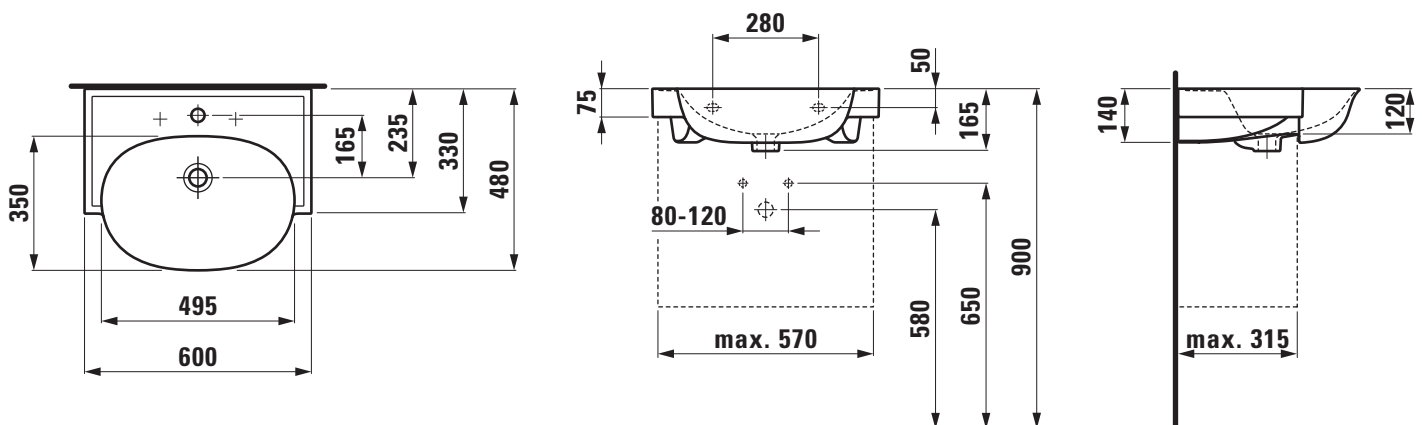
TECHNICAL DATA

Order no.	81385.3
Certified to	EN 31
Dimensions	600 x 480 mm
Inside dimensions of the basin	495 x 350 mm
Basin capacity	5.1 litre (up to bottom line of the overflow)
Specification	Charge 104 – 1 centre tap hole
Special specification	Charge 108 – 3 tap holes Charge 109 – without tap holes Charge 136 – 3 tap holes, distance 8 inches
Weight	14,0 kg
Accessories excl.	Washbasin frame, order no. 40607.1
Mounting acc. excl.	Mounting set M10 x 140 mm, order no. 89988.2
Colours	see colour table

SPECIFICATION TEXT

Vanity washbasin Laufen-THE NEW CLASSIC, SaphirKeramik
EN 31
dimensions 600 x 480 mm
1 centre tap hole
Special feature: overflow channel glazed
Further options / accessories: Surface refinement LCC (only white),
3 tap holes, without tap holes, 3 tap holes distance 8 inches, washbasin
frame, bathtubs, vanity unit, furniture, accessories SaphirKeramik
Order no. 81385.3

TECHNICAL DRAWINGS / S 1 : 20



SET THE NEW CLASSIC

Vanity washbasin

81385.5



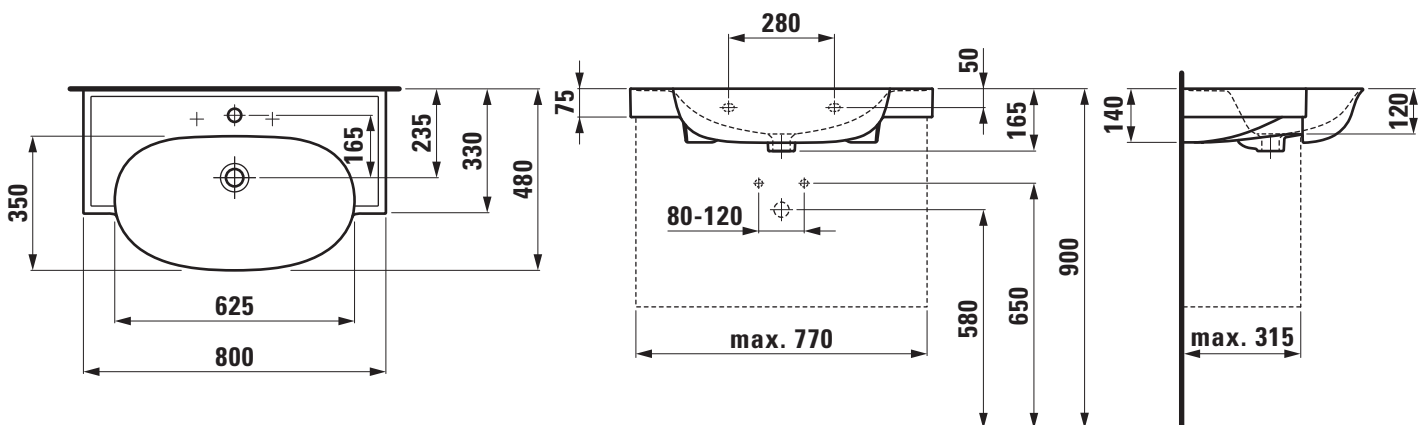
TECHNICAL DATA

Order no.	81385.5
Certified to	EN 31
Dimensions	800 x 480 mm
Inside dimensions of the basin	625 x 350 mm
Basin capacity	6.5 litre (up to bottom line of the overflow)
Specification	Charge 104 – 1 centre tap hole
Special specification	Charge 108 – 3 tap holes Charge 109 – without tap holes Charge 136 – 3 tap holes, distance 8 inches
Weight	16,5 kg
Accessories excl.	Washbasin frame, order no. 40607.2
Mounting acc. excl.	Mounting set M10 x 140 mm, order no. 89988.2
Colours	see colour table

SPECIFICATION TEXT

Vanity washbasin Laufen-THE NEW CLASSIC, SaphirKeramik EN 31
 dimensions 800 x 480 mm
 1 centre tap hole
 Special feature: overflow channel glazed
 Further options / accessories: Surface refinement LCC (only white), 3 tap holes, without tap holes, 3 tap holes distance 8 inches, washbasin frame, bathtubs, vanity unit, furniture, accessories SaphirKeramik
 Order no. 81385.5

TECHNICAL DRAWINGS / S 1 : 20



SET THE NEW CLASSIC

Vanity washbasin

81385.8



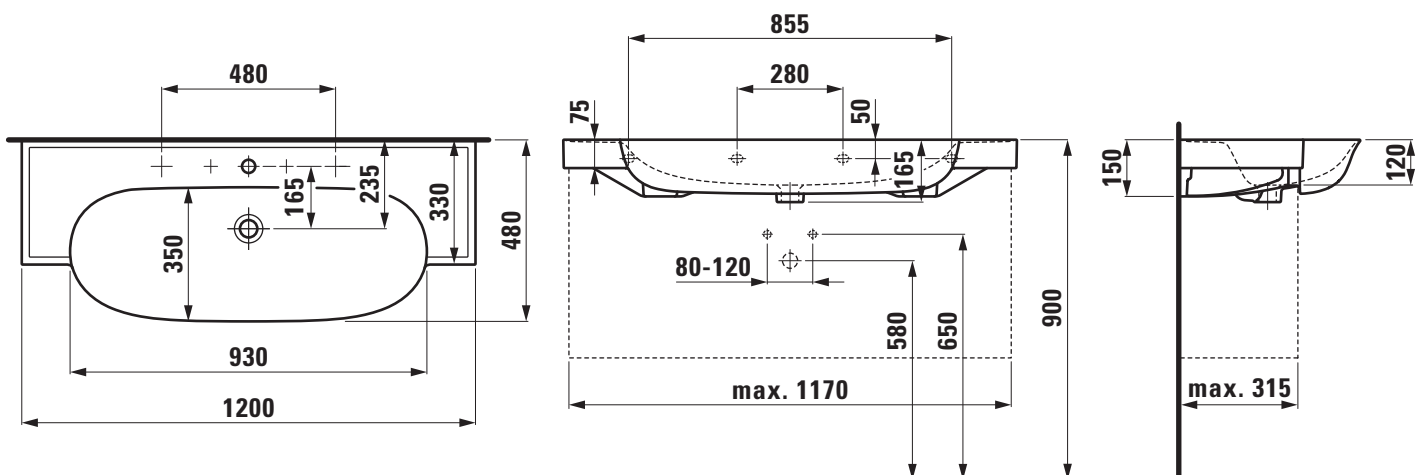
TECHNICAL DATA

Order no.	81385.8
Certified to	EN 31
Dimensions	1200 x 480 mm
Inside dimensions of the basin	930 x 350 mm
Basin capacity	11.5 litre (up to bottom line of the overflow)
Specification	Charge 104 – 1 centre tap hole
Special specification	Charge 107 – 2 tap holes Charge 108 – 3 tap holes Charge 109 – without tap holes Charge 136 – 3 tap holes, distance 8 inches
Weight	24,5 kg
Accessories excl.	Washbasin frame, order no. 40607.3
Mounting acc. excl.	2x Mounting set M10 x 140 mm, order no. 89988.2
Colours	see colour table

SPECIFICATION TEXT

Vanity washbasin Laufen-THE NEW CLASSIC, SaphirKeramik
EN 31
dimensions 1200 x 480 mm
1 centre tap hole
Special feature: overflow channel glazed
Further options / accessories: Surface refinement LCC (only white),
2 tap holes, 3 tap holes, without tap holes, 3 tap holes distance
8 inches, washbasin frame, bathtubs, vanity unit, furniture, accessories
SaphirKeramik
Order no. 81385.8

TECHNICAL DRAWINGS / S 1 : 20



SET THE NEW CLASSIC

Washbasin bowl

81285.2



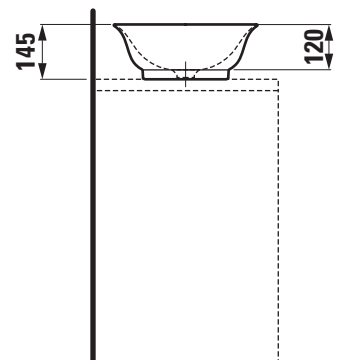
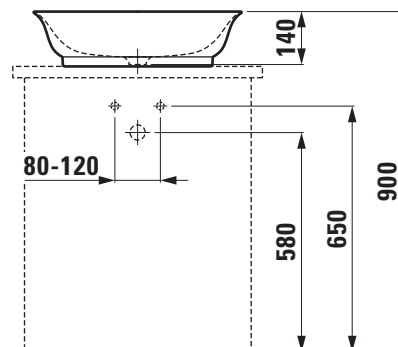
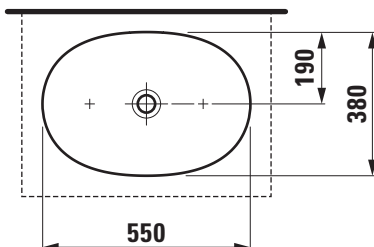
TECHNICAL DATA

Order no.	81285.2
Certified to	EN 31
Dimensions	550 x 380 mm
Specification	Charge 112 – without tap holes, without overflow
Weight	7,0 kg
Mounting acc. incl.	Template, order no. 89485.1 Fastening kit, order no. 89496.1
Mounting acc. excl.	valve without overflow always open, with ceramic valve cover plate, order no. 89818.8 Siphon DN 32 chrome, order no. 89394.7
Otherwise	Use enclosed template for cutting.
Colours	see colour table

SPECIFICATION TEXT

Washbasin bowl Laufen-THE NEW CLASSIC, SaphirKeramik EN 31
dimensions 550 x 380 mm, oval
without tap hole, without overflow
Further options / accessories: Surface refinement LCC (only white), bathtubs, furniture, accessories SaphirKeramik
Order no. 81285.2

TECHNICAL DRAWINGS / S 1 : 20



SET THE NEW CLASSIC

Washbasin bowl

81285.3



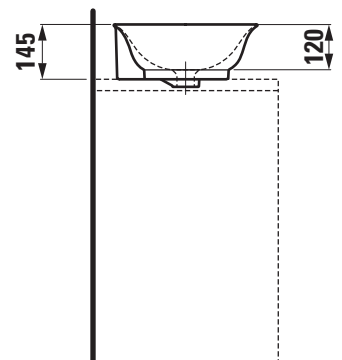
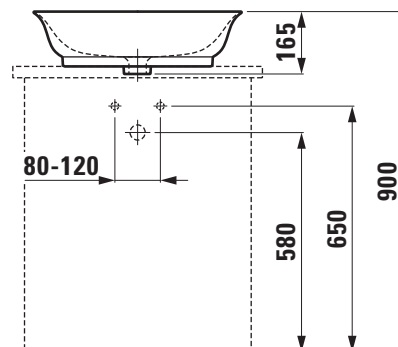
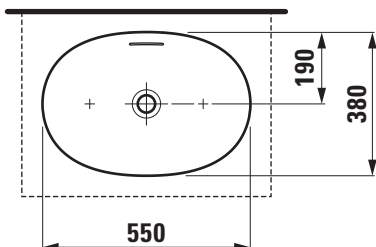
TECHNICAL DATA

Order no.	81285.3
Certified to	EN 31
Dimensions	550 x 380 mm
Basin capacity	7.5 litre (up to bottom line of the overflow)
Specification	Charge 109 – without tap holes
Weight	7,5 kg
Mounting acc. incl.	Template, order no. 89485.1 Fastening kit, order no. 89496.1
Mounting acc. excl.	Siphon DN 32 chrome, order no. 89394.7
Otherwise	Use enclosed template for cutting.
Colours	see colour table

SPECIFICATION TEXT

Washbasin bowl Laufen-THE NEW CLASSIC, SaphirKeramik
EN 31
dimensions 550 x 380 mm, oval
without tap hole, with overflow
Special feature: overflow channel glazed
Further options / accessories: Surface refinement LCC (only white),
bathtubs, furniture, accessories SaphirKeramik
Order no. 81285.3

TECHNICAL DRAWINGS / S 1 : 20



SET THE NEW CLASSIC

Small washbasin

81585.2



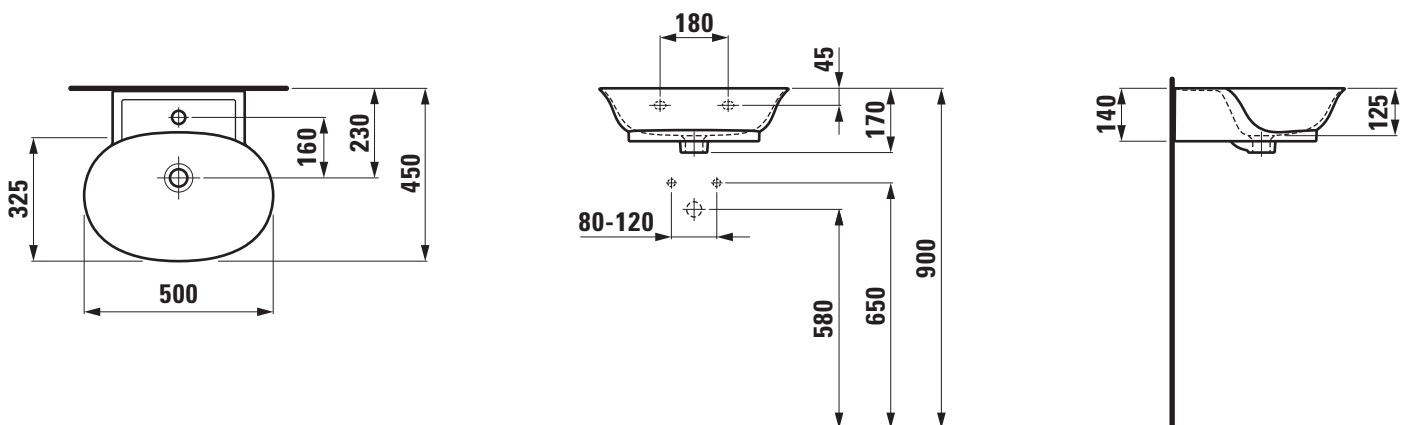
TECHNICAL DATA

Order no.	81585.2
Certified to	EN 31
Dimensions	500 x 450 mm
Basin capacity	6.0 litre (up to bottom line of the overflow)
Specification	Charge 104 – 1 centre tap hole
Special specification	Charge 109 – without tap holes
Weight	9,0 kg
Mounting acc. excl.	Mounting set M10 x 140 mm, order no. 89988.2
Colours	see colour table

SPECIFICATION TEXT

Small washbasin Laufen-THE NEW CLASSIC, SaphirKeramik
EN 31
dimensions 500 x 450 mm
1 centre tap hole
Special feature: overflow channel glazed
Further options / accessories: Surface refinement LCC (only white),
without tap holes, bathtubs, furniture, accessories SaphirKeramik
Order no. 81585.2

TECHNICAL DRAWINGS / S 1 : 20



SET THE NEW CLASSIC

Small washbasin undersurface ground 81685.2



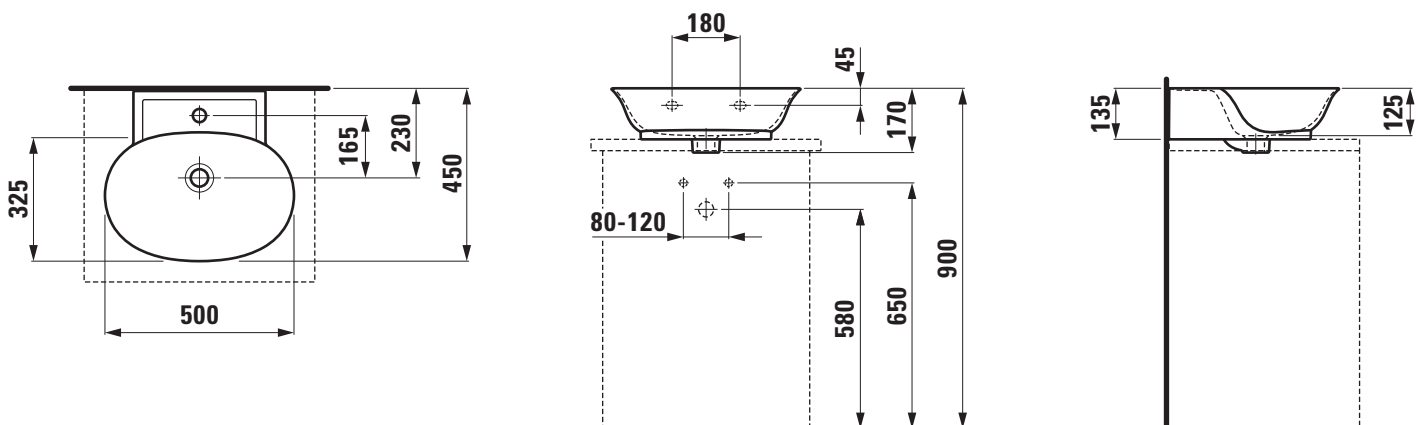
TECHNICAL DATA

Order no.	81685.2
Certified to	EN 31
Dimensions	500 x 450 mm
Basin capacity	6.0 litre (up to bottom line of the overflow)
Specification	Always to be fixed to the wall. Charge 104 – 1 centre tap hole
Special specification	Charge 109 – without tap holes
Weight	9,0 kg
Mounting acc. incl.	Template, order no. 89485.0 Fastening kit, order no. 89496.1
Mounting acc. excl.	Mounting set M10 x 140 mm, order no. 89988.2
Colours	see colour table

SPECIFICATION TEXT

Small washbasin undersurface ground Laufen-THE NEW CLASSIC, SaphirKeramik
EN 31
dimensions 500 x 450 mm
1 centre tap hole
Special feature: overflow channel glazed
Further options / accessories: Surface refinement LCC (only white), without tap holes, bathtubs, furniture, accessories SaphirKeramik
Order no. 81685.2

TECHNICAL DRAWINGS / S 1 : 20



SET THE NEW CLASSIC

Floorstanding WC combination rimless

82485.8



TECHNICAL DATA

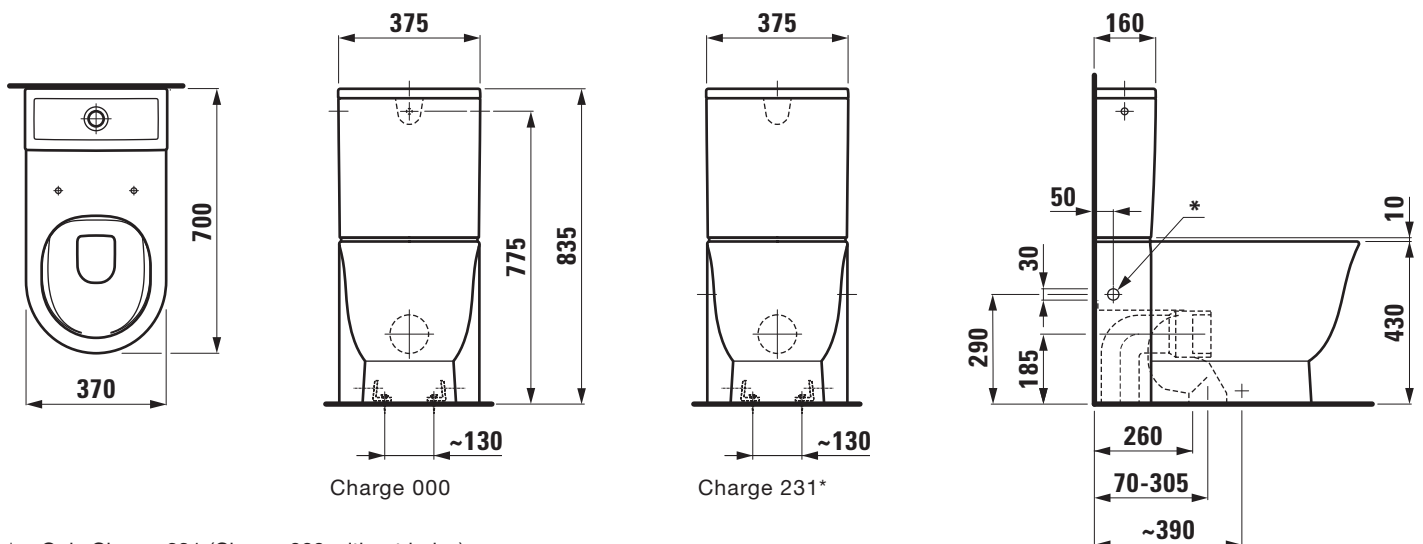
Order no.	82485.8
Certified to	EN 997 / EN 33
Specification	rimless Washdown for 5/3-l-flush Charge 000 – 2 fixing holes, without lateral holes
Special specification	Charge 231 – 2 fixing holes, with lateral holes
Outlet	horizontal VARIO, vertical 70 - 305 mm
Weight	37,0 kg
Accessories excl.	Charge 000 – Cistern, order no. 82885.1, 82885.2 Charge 231 – Cistern, order no. 82885.3, 82885.5 WC seat and cover with automatic lowering system, order no. 89185.1
Mounting acc. incl.	Fixing set, order no. 89175.7

Mounting acc. excl.	for VARIO-outlet 70 - 160 mm LAUFEN-connection, order no. 89009.2 for VARIO-outlet 160 - 305 mm only LAUFEN-connection, order no. 89902.5
Colours	see colour table

SPECIFICATION TEXT

Floorstanding WC pan rimless washdown Laufen-THE NEW CLASSIC, sanitary ceramic, for cistern, EN 997, EN 33
5/3-l-flush, dimensions 370 x 700 x 440 mm
outlet horizontal, VARIO vertical 70 - 305 mm
back to wall, concealed fixation, 2 fixing holes
Special feature: rimless, concealed surfaces directing water are fully glazed throughout, vacuum checked
Further options / accessories: Surface refinement LCC (only white), 2 lateral holes (option 231), cistern 82885.1, 82885.2 (option 000), 82885.3, 82885.5 (option 231), WC seat and cover with automatic lowering 89185.1
Order no. 82485.8

TECHNICAL DRAWINGS / S 1 : 20



* = Only Charge 231 (Charge 000 without holes)



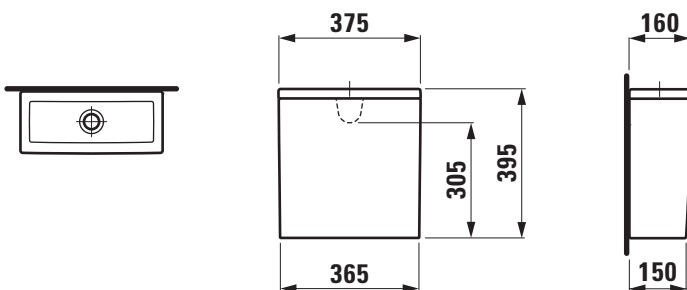
TECHNICAL DATA

Order no.	82885.1
Certified to	EN 14055
matching for	Floorstanding WC pan order no. 82485.8 / Charge 000
Specification	Flushing mechanism Dual-Flush With water condensation insulation: Charge 871 – 5/3-l (6/3-l-flush, 4,5/3-l-flush)
Water inlet	rear, 1/2" brass
Weight	10,0 kg
Mounting acc. incl.	Fastening kit Angle valve for rear water inlet Water inlet hose
Colours	see colour table

SPECIFICATION TEXT

Cistern Laufen-THE NEW CLASSIC, sanitary ceramic
EN 14055, dimensions 375 x 160 x 395 mm
Dual-Flush 5/3-l (6/3-l-flush, 4,5/3-l-flush)
water inlet rear, 1/2" brass
matching floorstanding WC pan, order no. 82485.8 /option 000
Special feature: with water condensation insulation
Order no. 82885.1

TECHNICAL DRAWINGS / S 1 : 20





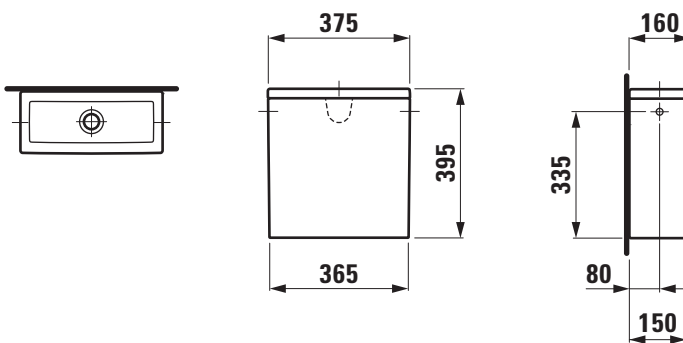
TECHNICAL DATA

Order no.	82885.2
Certified to	EN 14055
matching for	Floorstanding WC pan order no. 82485.8 / Charge 000
Specification	Flushing mechanism Dual-Flush With water condensation insulation: Charge 872 – 5/3-l (6/3-l-flush, 4,5/3-l-flush)
Water inlet	side left, side right, 3/8" brass
Weight	10,0 kg
Mounting acc. incl.	Fastening kit
Mounting acc. excl.	Angle valve for water inlet Water inlet hose
Colours	see colour table

SPECIFICATION TEXT

Cistern Laufen-THE NEW CLASSIC, sanitary ceramic
EN 14055
dimensions 375 x 160 x 395 mm
Dual-Flush 5/3-l (6/3-l-flush, 4,5/3-l-flush)
water inlet side left, side right, 3/8" brass
matching floorstanding WC pan, order no. 82485.8 /option 000
Special feature: with water condensation insulation
Order no. 82885.2

TECHNICAL DRAWINGS / S 1 : 20





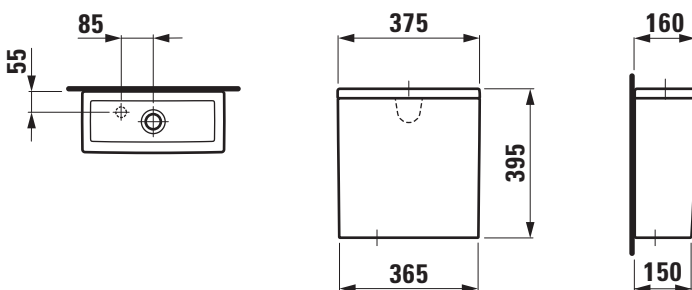
TECHNICAL DATA

Order no.	82885.3
matching for	Floorstanding WC pan order no. 82485.8 / Charge 231
Specification	Flushing mechanism Dual-Flush Without water condensation insulation Charge 873 – 5/3-l (6/3-l-flush, 4,5/3-l-flush)
Water inlet	bottom left, 1/2" plastic
Weight	10,0 kg
Mounting acc. incl.	Fastening kit
Mounting acc. excl.	Angle valve for water inlet Water inlet hose
Colours	see colour table

SPECIFICATION TEXT

Cistern Laufen-THE NEW CLASSIC, sanitary ceramic
dimensions 375 x 160 x 395 mm
Dual-Flush 5/3-l (6/3-l-flush, 4,5/3-l-flush)
water inlet bottom left, 1/2" plastic
matching floorstanding WC pan, order no. 82485.8 /option 231
Special feature: without water condensation insulation
Order no. 82885.3

TECHNICAL DRAWINGS / S 1 : 20





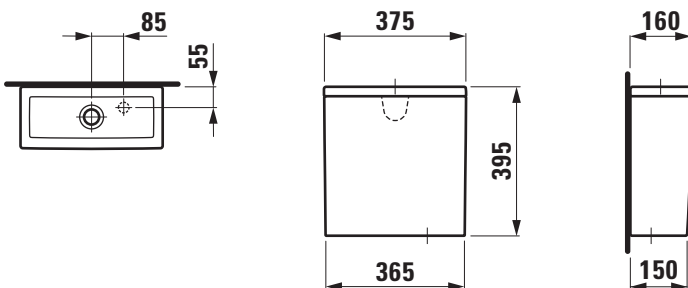
TECHNICAL DATA

Order no.	82885.5
matching for	Floorstanding WC pan order no. 82485.8 / Charge 231
Specification	Flushing mechanism Dual-Flush Without water condensation insulation Charge 873 – 5/3-l (6/3-l-flush, 4,5/3-l-flush)
Water inlet	bottom right, 1/2" plastic
Weight	10,0 kg
Mounting acc. incl.	Fastening kit
Mounting acc. excl.	Angle valve for water inlet Water inlet hose
Colours	see colour table

SPECIFICATION TEXT

Cistern Laufen-THE NEW CLASSIC, sanitary ceramic
dimensions 375 x 160 x 395 mm
Dual-Flush 5/3-l (6/3-l-flush, 4,5/3-l-flush)
water inlet bottom right, 1/2" plastic
matching floorstanding WC pan, order no. 82485.8 /option 231
Special feature: without water condensation insulation
Order no. 82885.5

TECHNICAL DRAWINGS / S 1 : 20



**Floorstanding cistern, two-part Universal for floorstanding WC pan
82966.0**



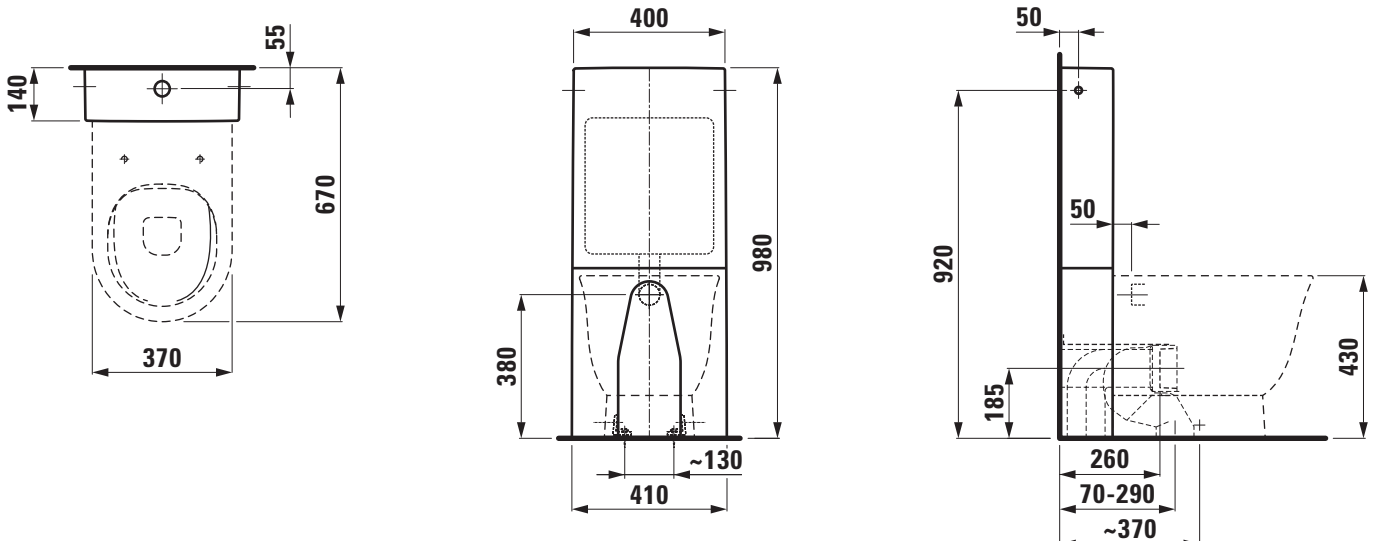
TECHNICAL DATA

Order no.	82966.0
Certified to	EN 14055
matching for	Floorstanding WC pan rimless, order no. 82385.1
Specification	Floorstanding, consisting of two-parts Flushing mechanism Dual-Flush water condensation insulation Charge 882 – 6/3-l (5/3-l-flush, 4,5/3-l-flush)
Water inlet	side left, side right, 3/8" brass
Weight	21,0 kg
Mounting acc. incl.	Fastening kit
Mounting acc. excl.	for VARIO-outlet 70 - 220 mm LAUFEN-connection, order no. 89009.2 for VARIO-outlet 220 - 290 mm only LAUFEN-connection, order no. 89902.5 Angle valve for water inlet Water inlet hose
Colours	see colour table

SPECIFICATION TEXT

Floorstanding cistern, two-part Universal Laufen-THE NEW CLASSIC, sanitary ceramic
EN 14055
dimensions 400/410 x 140 x 980 mm
Dual-Flush 6/3-l (5/3-l-flush, 4,5/3-l-flush)
water inlet side left, side right, 3/8" brass
matching floorstanding WC pan rimless, order no. 82385.1
Special feature: water condensation insulation
Order no. 82966.0

TECHNICAL DRAWINGS / S 1 : 20



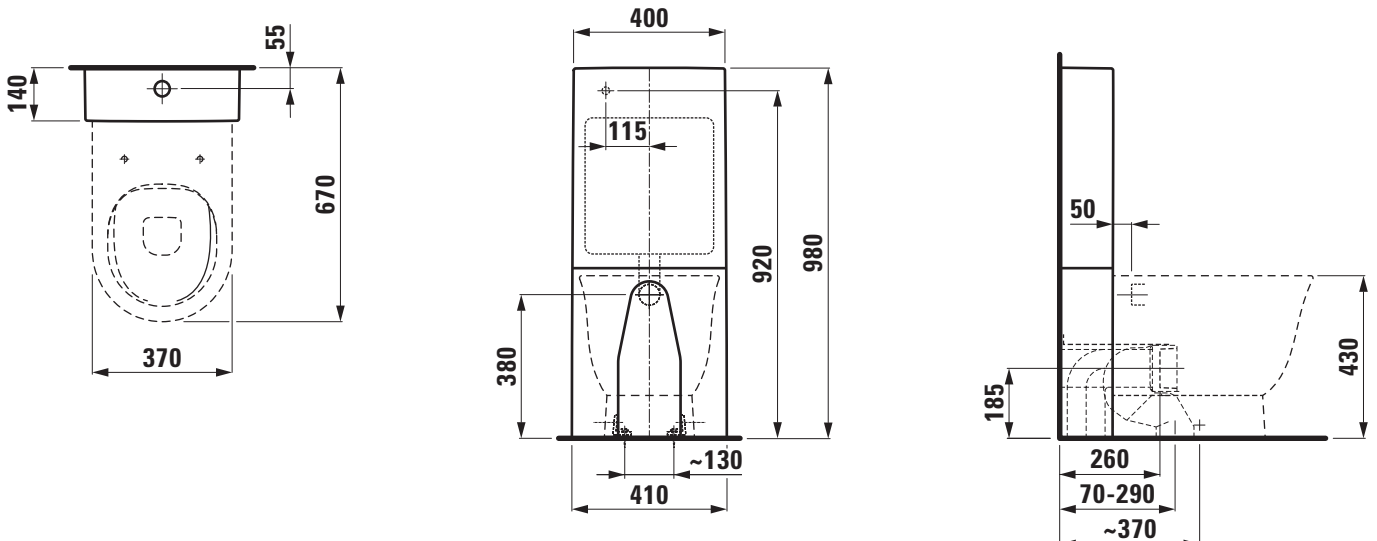
**Floorstanding cistern, two-part Universal for floorstanding WC pan
82966.1**



TECHNICAL DATA

Order no.	82966.1	Mounting acc. excl.	for VARIO-outlet 70 - 220 mm LAUFEN-connection, order no. 89009.2
Certified to	EN 14055		for VARIO-outlet 220 - 290 mm only LAUFEN-connection, order no. 89902.5
matching for	Floorstanding WC pan rimless, order no. 82385.1	Colours	see colour table
Specification	Floorstanding, consisting of two-parts Flushing mechanism Dual-Flush water condensation insulation Charge 881 – 6/3-l (5/3-l-flush, 4,5/3-l-flush)	SPECIFICATION TEXT	Floorstanding cistern, two-part Universal Laufen-THE NEW CLASSIC, sanitary ceramic EN 14055 dimensions 400/410 x 140 x 980 mm Dual-Flush 6/3-l (5/3-l-flush, 4,5/3-l-flush) concealed water inlet top left rear, 1/2" brass matching floorstanding WC pan rimless, order no. 82385.1 Special feature: water condensation insulation Order no. 82966.1
Water inlet	concealed top left rear, 1/2" brass		
Weight	21,0 kg		
Mounting acc. incl.	Fastening kit Angle valve for rear water inlet Water inlet hose		

TECHNICAL DRAWINGS / S 1 : 20



**Floorstanding cistern, two-part Universal for floorstanding WC pan
82966.3**



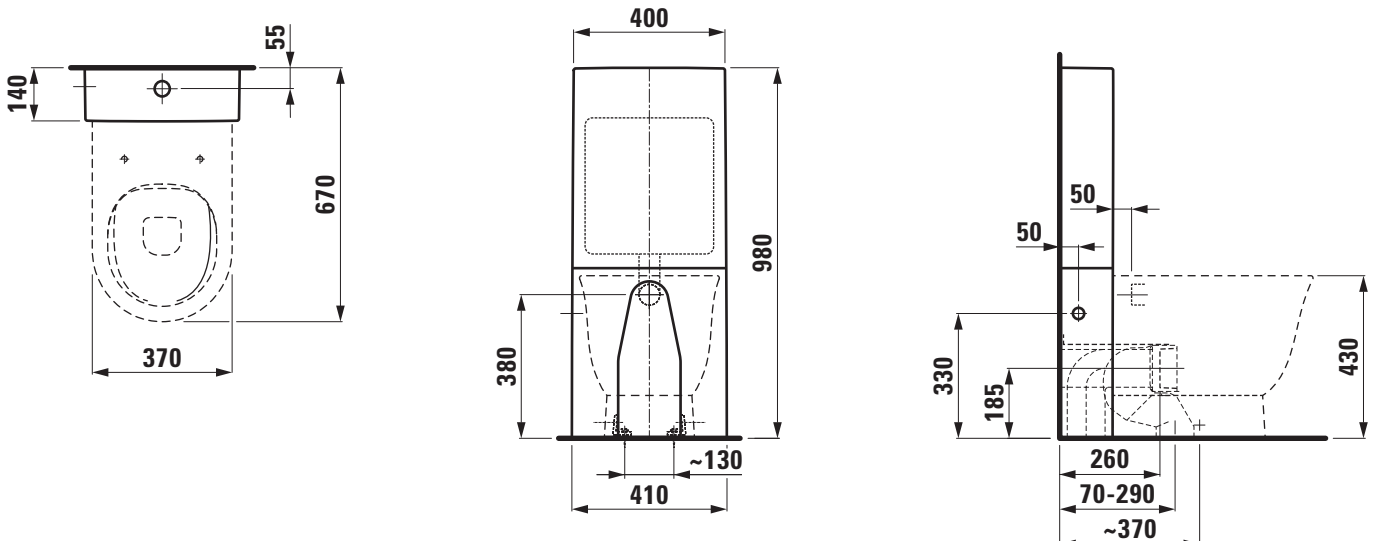
TECHNICAL DATA

Order no.	82966.3
Certified to	EN 14055
matching for	Floorstanding WC pan rimless, order no. 82385.1
Specification	Floorstanding, consisting of two-parts Flushing mechanism Dual-Flush water condensation insulation Charge 883 – 6/3-l (5/3-l-flush, 4,5/3-l-flush)
Water inlet	bottom left, 1/2" plastic
Weight	21,0 kg
Mounting acc. incl.	Fastening kit
Mounting acc. excl.	for VARIO-outlet 70 - 220 mm LAUFEN-connection, order no. 89009.2 for VARIO-outlet 220 - 290 mm only LAUFEN-connection, order no. 89902.5 Angle valve for water inlet Water inlet hose
Colours	see colour table

SPECIFICATION TEXT

Floorstanding cistern, two-part Universal Laufen-THE NEW CLASSIC, sanitary ceramic
EN 14055
dimensions 400/410 x 140 x 980 mm
Dual-Flush 6/3-l (5/3-l-flush, 4,5/3-l-flush)
water inlet bottom left, 1/2" plastic
matching floorstanding WC pan rimless, order no. 82385.1
Special feature: water condensation insulation
Order no. 82966.3

TECHNICAL DRAWINGS / S 1 : 20



**Floorstanding cistern, two-part Universal for floorstanding WC pan
82966.4**



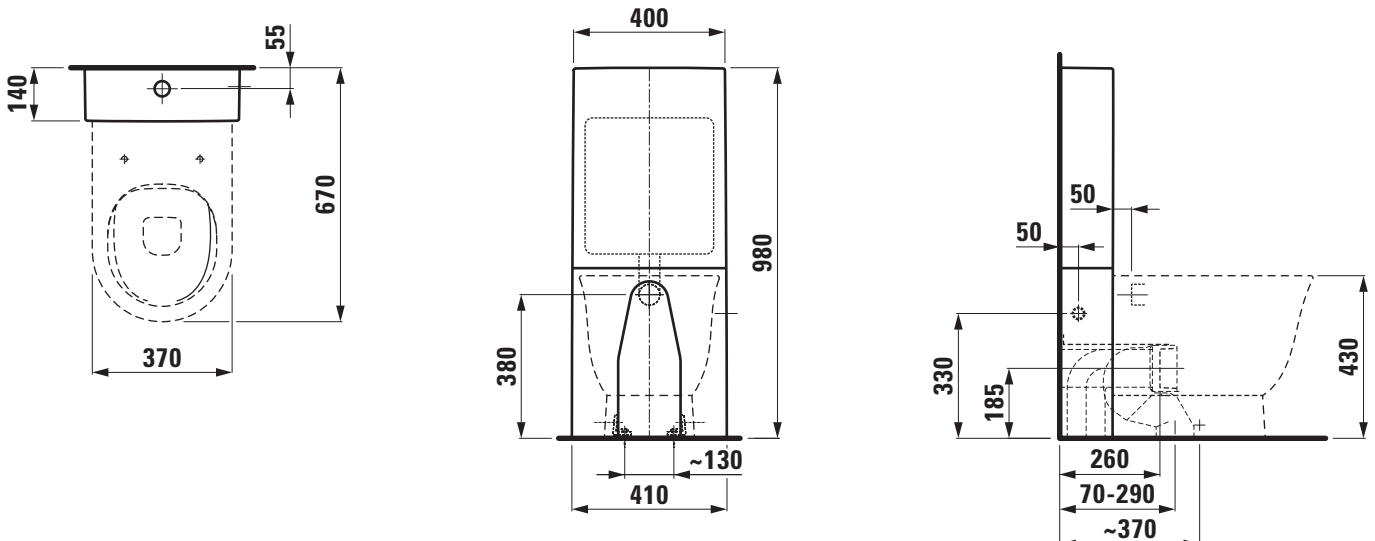
TECHNICAL DATA

Order no.	82966.4
Certified to	EN 14055
matching for	Floorstanding WC pan rimless, order no. 82385.1
Specification	Floorstanding, consisting of two-parts Flushing mechanism Dual-Flush Charge 884 – 6/3-l (5/3-l-flush, 4,5/3-l-flush)
Water inlet	bottom right, 1/2" plastic
Weight	21,0 kg
Mounting acc. incl.	Fastening kit
Mounting acc. excl.	for VARIO-outlet 70 - 220 mm LAUFEN-connection, order no. 89009.2 for VARIO-outlet 220 - 290 mm only LAUFEN-connection, order no. 89902.5 Angle valve for water inlet Water inlet hose
Colours	see colour table

SPECIFICATION TEXT

Floorstanding cistern, two-part Universal Laufen-THE NEW CLASSIC, sanitary ceramic
EN 14055
dimensions 400/410 x 140 x 980 mm
Dual-Flush 6/3-l (5/3-l-flush, 4,5/3-l-flush)
water inlet bottom right, 1/2" plastic
matching floorstanding WC pan rimless, order no. 82385.1
Order no. 82966.4

TECHNICAL DRAWINGS / S 1 : 20



SET THE NEW CLASSIC

Floorstanding WC pan rimless

82385.1



TECHNICAL DATA

Order no.	82385.1
Certified to	EN 997, EN 33
Specification	rimless Washdown for 4,5/3-l-flush back to wall
Outlet	horizontal vertical 70 and 120 mm
Weight	25,0 kg
Accessories excl.	Floorstanding cistern two-part Universal, order no. 82966.0, 82966.1, 82966.3, 82966.4 WC seat and cover with automatic lowering system, order no. 89185.1
Mounting acc. incl.	Device for fixing, order no. 89175.7
Mounting acc. excl.	for outlet vertical 70 mm LAUFEN-connection set, order no. 89009.2 for outlet vertical 120 mm LAUFEN-connection set, order no. 89902.7
Colours	see colour table

SPECIFICATION TEXT

Floorstanding WC pan rimless washdown Laufen-THE NEW CLASSIC sanitary ceramic, for concealed cistern and floorstanding cistern two-part Universal

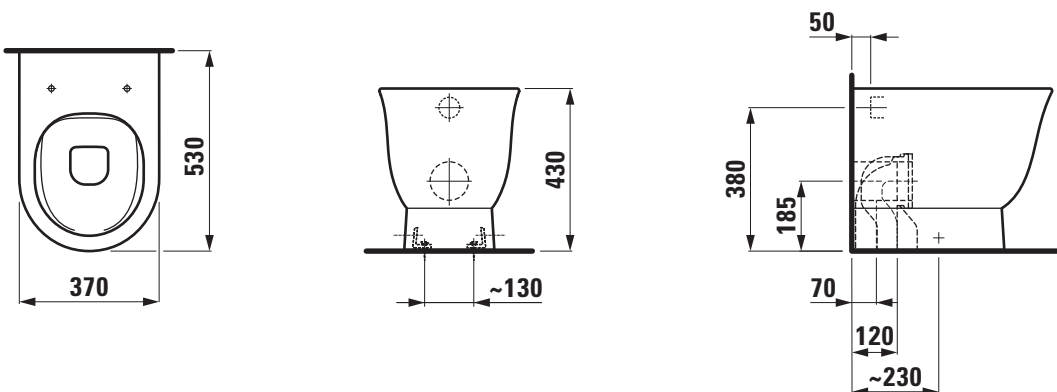
EN 997, EN 33, 4,5/3-l-flush, dimensions 370 x 530 x 430 mm, outlet horizontal, vertical 70 and 120 mm back to wall, concealed trap, concealed fixation

Special feature: rimless, concealed surfaces directing water are fully glazed throughout, closed water rim, vacuum checked

Further options / accessories: Surface refinement LCC (only white), floorstanding cistern two-part Universal 82966.0, 82966.1, 82966.3, 82966.4, WC seat and cover with automatic lowering 89133.1

Order no. 82385.1

TECHNICAL DRAWINGS / S 1 : 20



SET THE NEW CLASSIC

Wallhung WC rimless

82085.1



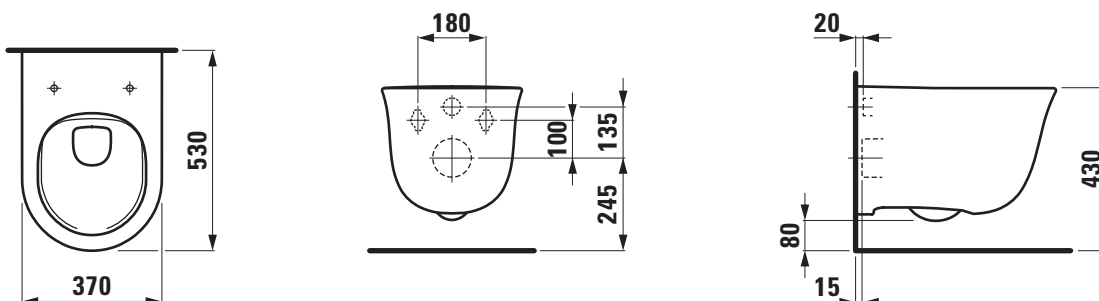
TECHNICAL DATA

Order no.	82085.1
Certified to	EN 997, EN 33
Specification	rimless Washdown for min. 4,5/3-l-flush
Weight	23,0 kg
Accessories excl.	Seat and cover with automatic lowering system, order no. 89185.1
Mounting acc. incl.	laufen EasyFit system M12, order no. 89282.7
Mounting acc. excl.	Stone screw fastening kit M12
Colours	see colour table

SPECIFICATION TEXT

Wallhung WC rimless washdown Laufen-THE NEW CLASSIC, sanitary ceramic for concealed cistern
EN 997, EN 33, min. 4,5/3-l-flush, dimensions 370 x 530 x 350 mm
concealed trap, concealed fixation
Special feature: rimless, concealed surfaces directing water are fully glazed throughout, vacuum checked
Further options / accessories: Surface refinement LCC (only white), WC seat and cover with automatic lowering 89185.1
Order no. 82085.1

TECHNICAL DRAWINGS / S 1 : 20



SET THE NEW CLASSIC

Seat and cover with automatic lowering system 89185.1



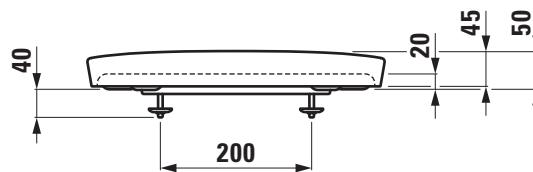
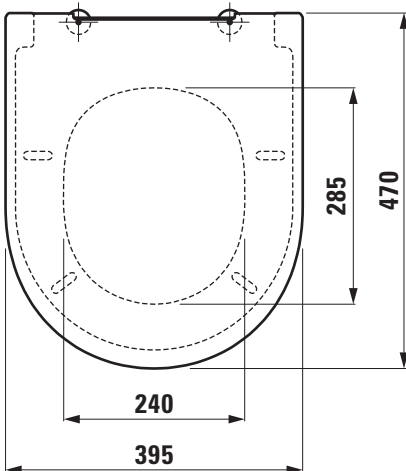
TECHNICAL DATA

Order no.	89185.1
matching for	Floorstanding WC pan rimless, order no. 82385.1, 82485.8 Wallhung WC rimless, order no. 82085.1, 82085.8
Specification	removable with automatic lowering system
Weight	2,8 kg
Mounting acc.	included
Colours	see colour table

SPECIFICATION TEXT

WC seat and cover Laufen-THE NEW CLASSIC, Duroplast removable, automatic lowering system matching floorstanding WC rimless, order no. 82385.1, 82485.8 and wallhung WC rimless, order no. 82085.1, 82085.8
Order no. 89185.1

TECHNICAL DRAWINGS / S 1 : 10



SET THE NEW CLASSIC

Wallhung bidet 83085.1



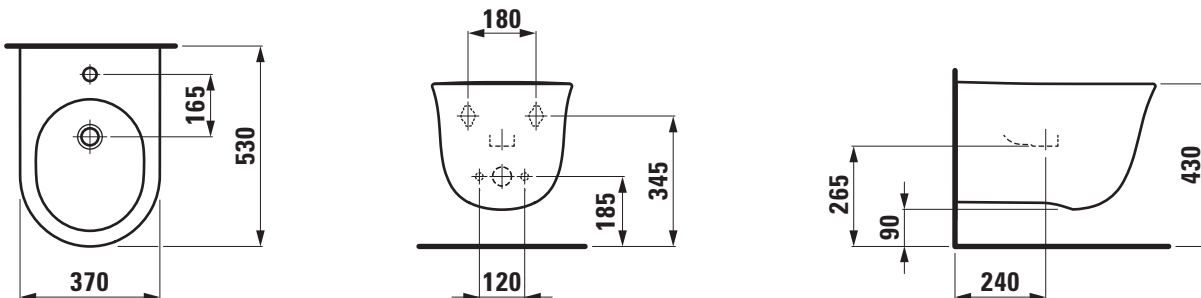
TECHNICAL DATA

Order no.	83085.1
Certified to	EN 35
Specification	Charge 302 – 1 centre tap hole without lateral holes
Weight	17,0 kg
Mounting acc. incl.	laufen EasyFit system M12, order no. 89282.7
Mounting acc. excl.	Siphon D40, order no. 89394.8 Stone screw fastening kit M12
Colours	see colour table

SPECIFICATION TEXT

Wallhung bidet Laufen-THE NEW CLASSIC, sanitary ceramic
EN 35, dimensions 370 x 530 x 340 mm
1 centre tap hole
concealed trap, concealed fixation
Special feature: overflow channel glazed, vacuum checked
Further options: Surface refinement LCC (only white)
Order no. 83085.1

TECHNICAL DRAWINGS / S 1 : 20



SET THE NEW CLASSIC

SaphirKeramik shelf

87785.1



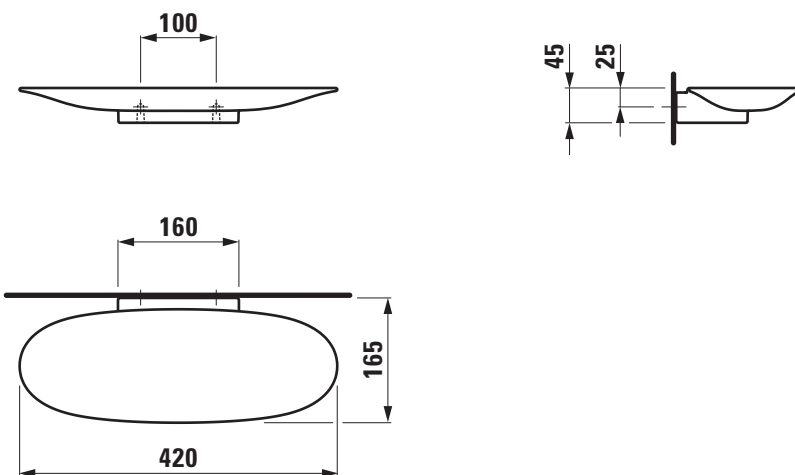
TECHNICAL DATA

Order no.	87785.1
Dimensions	420 x 165 x 45 mm
Weight	1,9 kg
Mounting acc. incl.	Fixing set, order no. 89685.5
Colours	see colour table

SPECIFICATION TEXT

Shelf Laufen-THE NEW CLASSIC, SaphirKeramik
dimensions 420 x 165 x 45 mm
Order no. 87785.1

TECHNICAL DRAWINGS / S 1 : 10



SET THE NEW CLASSIC
SaphirKeramik tooth brush holder
87385.4



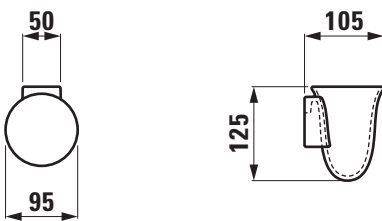
TECHNICAL DATA

Order no.	87385.4
Dimensions	95 x 105 x 125 mm
Weight	0,5 kg
Mounting acc. incl.	Fixing set, order no. 89685.5
Colours	see colour table

SPECIFICATION TEXT

Tooth brush holder Laufen-THE NEW CLASSIC, SaphirKeramik
dimensions 95 x 105 x 125 mm
Order no. 87385.4

TECHNICAL DRAWINGS / S 1 : 10



SET THE NEW CLASSIC
SaphirKeramik soap dish
87385.6



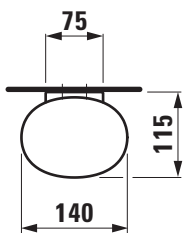
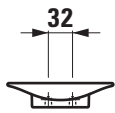
TECHNICAL DATA

Order no.	87385.6
Dimensions	140 x 115 x 30 mm
Weight	0,3 kg
Mounting acc. incl.	Fixing set, order no. 89685.5
Colours	see colour table

SPECIFICATION TEXT

Soap dish Laufen-THE NEW CLASSIC, SaphirKeramik
dimensions 140 x 115 x 30 mm
Order no. 87385.6

TECHNICAL DRAWINGS / S 1 : 10



SET THE NEW CLASSIC
SaphirKeramik toilet brush holder
87385.2



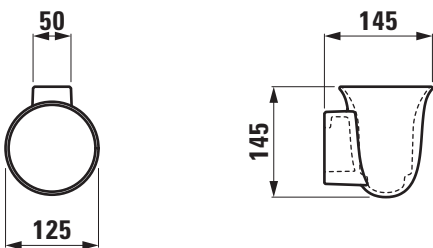
TECHNICAL DATA

Order no.	87385.2
Dimensions	125 x 145 x 145 mm
Weight	1,3 kg
Accessories incl..	Toilet brush, order no. 89485.5
Mounting acc. incl.	Fixing set, order no. 89685.5
Colours	see colour table

SPECIFICATION TEXT

Toilet brush holder Laufen-THE NEW CLASSIC, SaphirKeramik
incl. toilet brush, order no. 89485.5
dimensions 125 x 145 x 145 mm
Order no. 87385.2

TECHNICAL DRAWINGS / S 1 : 10



LIVING SAPHIRKERAMIK



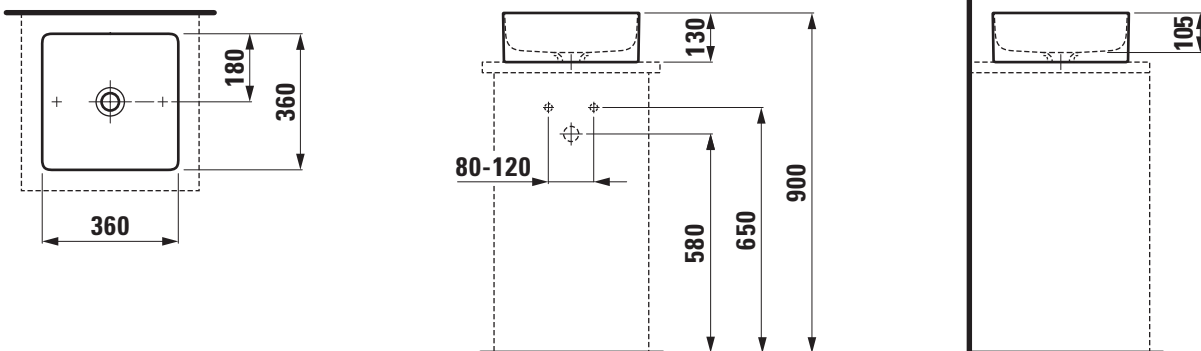
TECHNICAL DATA

Order no.	81143.3
Certified to	EN 31
Dimensions	360 x 360 mm
Inside dimensions of the basin	353 x 353 mm
Specification	Charge 112 – without tap hole without overflow
Weight	5,8 kg
Mounting acc. incl.	Template, order no. 89643.1 Fixing set, order no. 89496.1
Mounting acc. excl.	valve without overflow always open, with ceramic valve cover plate, order no. 89818.8 Siphon DN 32 chrome, order no. 89394.7
Colours	see colour table

SPECIFICATION TEXT

Washbasin bowl Laufen-LIVING SAPHIRKERAMIK, SaphirKeramik EN 31
 dimensions 360 x 360 mm, square
 without tap hole, without overflow
 Further options / accessories: Surface refinement LCC (only white), valve without overflow, furniture
 Order no. 81143.3

TECHNICAL DRAWINGS / S 1 : 20





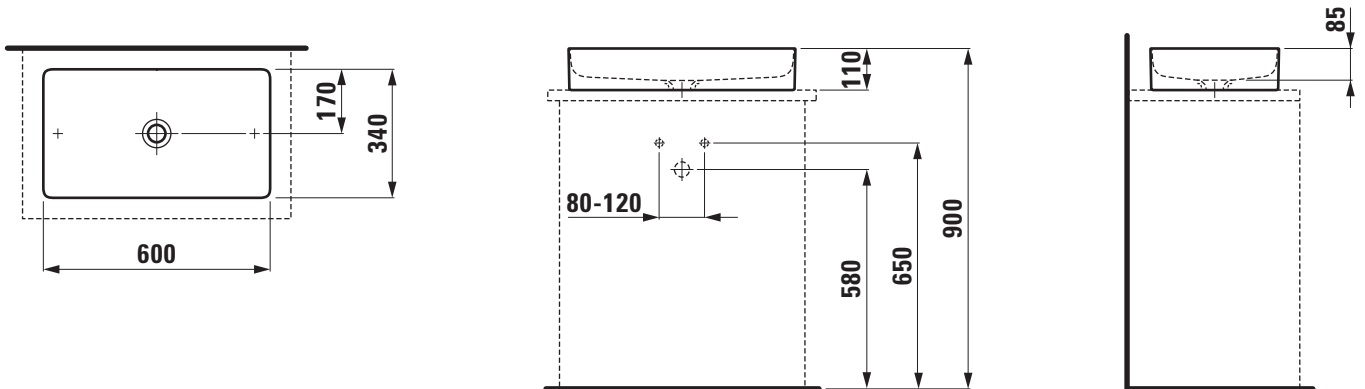
TECHNICAL DATA

Order no.	81143.4
Certified to	EN 31
Dimensions	600 x 340 mm
Inside dimensions of the basin	590 x 330 mm
Specification	Charge 112 – without tap hole without overflow
Weight	8,0 kg
Mounting acc. incl.	Template, order no. 89643.2 Fixing set, order no. 89496.1
Mounting acc. excl.	valve without overflow always open, with ceramic valve cover plate, order no. 89818.8 Siphon DN 32 chrome, order no. 89394.7
Colours	see colour table

SPECIFICATION TEXT

Washbasin bowl Laufen-LIVING SAPHIRKERAMIK, SaphirKeramik EN 31
dimensions 600 x 340 mm, angular
without tap hole, without overflow
Further options / accessories: Surface refinement LCC (only white), valve without overflow, furniture
Order no. 81143.4

TECHNICAL DRAWINGS / S 1 : 20





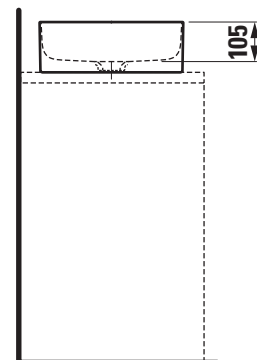
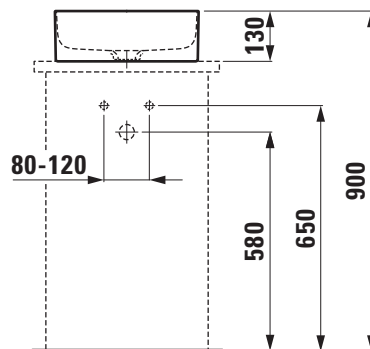
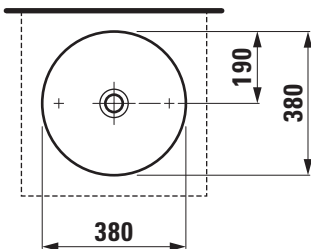
TECHNICAL DATA

Order no.	81143.5
Certified to	EN 31
Dimensions	Ø 380 mm
Inside dimensions of the basin	Ø 370 mm
Specification	Charge 112 – without tap hole without overflow
Weight	5,0 kg
Mounting acc. incl.	Template, order no. 89643.3 Fixing set, order no. 89496.1
Mounting acc. excl.	valve without overflow always open, with ceramic valve cover plate, order no. 89818.8 Siphon DN 32 chrome, order no. 89394.7
Colours	see colour table

SPECIFICATION TEXT

Washbasin bowl Laufen-LIVING SAPHIRKERAMIK, SaphirKeramik EN 31
 dimensions Ø 380 mm, round
 without tap hole, without overflow
 Further options / accessories: Surface refinement LCC (only white), valve without overflow, furniture
 Order no. 81143.5

TECHNICAL DRAWINGS / S 1 : 20



LIVING SQUARE

SET LIVING SQUARE

Countertop basin, shelf right

81743.8



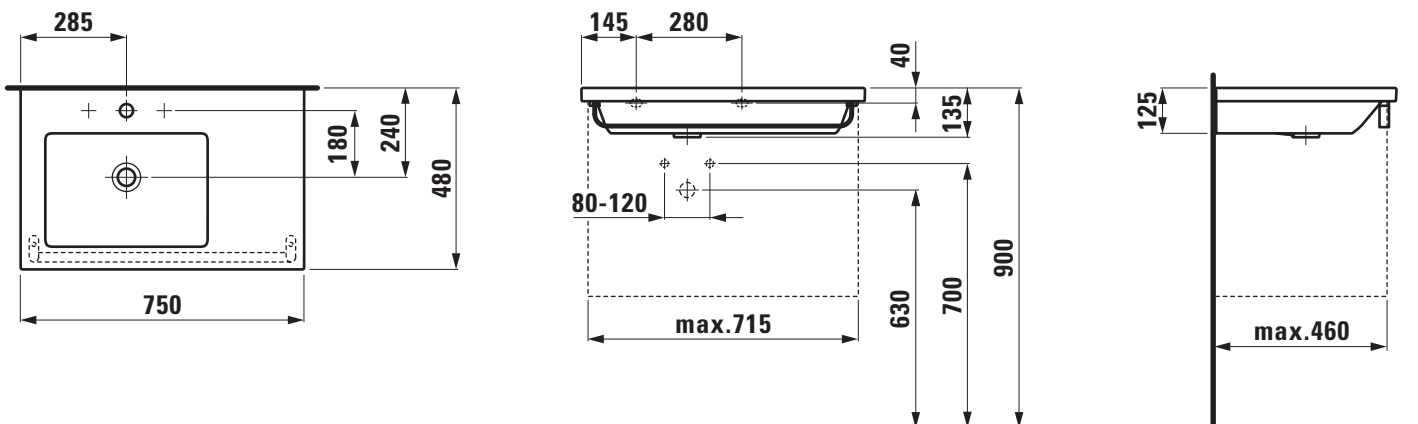
TECHNICAL DATA

Order no.	81743.8
Certified to	EN 31
Dimensions	750 x 480 mm
Inside dimensions of the basin	430 x 300 mm
Specification	Always to be fixed to the wall. Charge 104 – 1 centre tap hole, with overflow
Special specification	Charge 108 – 3 tap holes, with overflow Charge 109 – without tap holes, with overflow
Weight	18,0 kg
Accessories excl.	Towel rail, order no. 38143.6
Mounting acc. excl.	Mounting set M10 x 140 mm, order no. 89988.2
Colours	see colour table

SPECIFICATION TEXT

Countertop basin Laufen-LIVING SQUARE, sanitary ceramic EN 31, dimensions 750 x 480 mm, angular basin left, 1 centre tap hole
 Special feature: overflow channel glazed, integrated shelf right
 Further options / accessories: 3 tap holes with overflow, without tap holes with overflow, towel rail 38143.6, furniture
 Order no. 81743.8

TECHNICAL DRAWINGS / S 1 : 20



SET LIVING SQUARE

Countertop basin, shelf left

81743.9



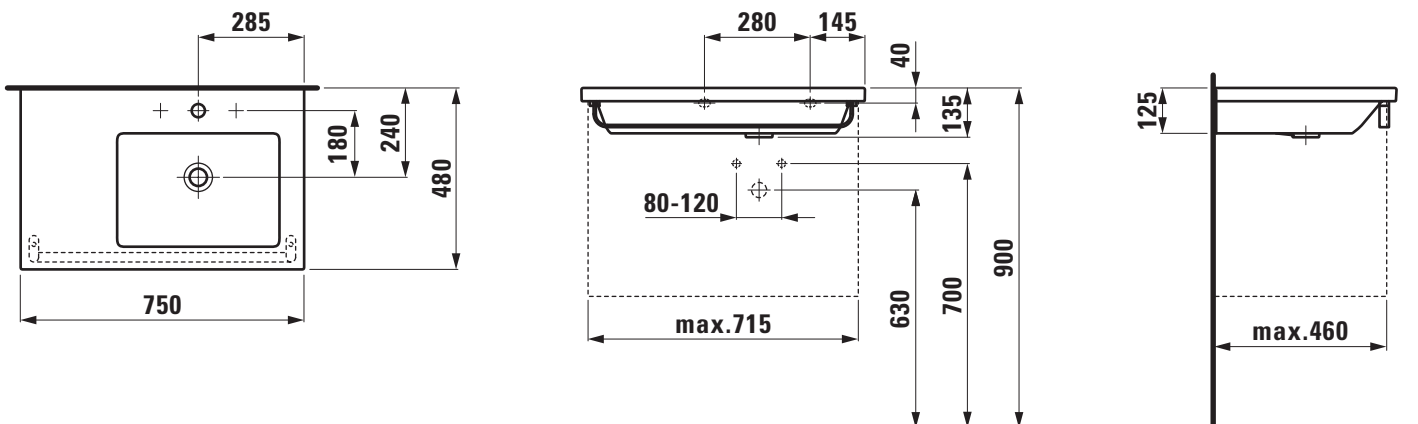
TECHNICAL DATA

Order no.	81743.9
Certified to	EN 31
Dimensions	750 x 480 mm
Inside dimensions of the basin	430 x 300 mm
Specification	Always to be fixed to the wall. Charge 104 – 1 centre tap hole, with overflow
Special specification	Charge 108 – 3 tap holes, with overflow Charge 109 – without tap holes, with overflow
Weight	18,0 kg
Accessories excl.	Towel rail, order no. 38143.6
Mounting acc. excl.	Mounting set M10 x 140 mm, order no. 89988.2
Colours	see colour table

SPECIFICATION TEXT

Countertop basin Laufen-LIVING SQUARE, sanitary ceramic EN 31, dimensions 750 x 480 mm, angular basin right, 1 centre tap hole
Special feature: overflow channel glazed, integrated shelf left
Further options / accessories: 3 tap holes with overflow, without tap holes with overflow, towel rail 38143.6, furniture
Order no. 81743.9

TECHNICAL DRAWINGS / S 1 : 20



SET LIVING SQUARE

Countertop basin 81643.1



TECHNICAL DATA

Order no.	81643.1
Certified to	EN 31
Dimensions	650 x 480 mm
Inside dimensions of the basin	480 x 295 mm
Specification	Always to be fixed to the wall. Charge 104 – 1 centre tap hole, with overflow
Special specification	Charge 108 – 3 tap holes, with overflow Charge 109 – without tap holes, with overflow Charge 136 – 3 tap holes, distance 8 inches, with overflow
Weight	16,0 kg
Accessories excl.	Towel rail, order no. 38143.2
Mounting acc. excl.	Mounting set M10 x 140 mm, order no. 89988.2
Colours	see colour table

SPECIFICATION TEXT

Countertop basin Laufen-LIVING SQUARE, sanitary ceramic EN 31, dimensions 650 x 480 mm, angular

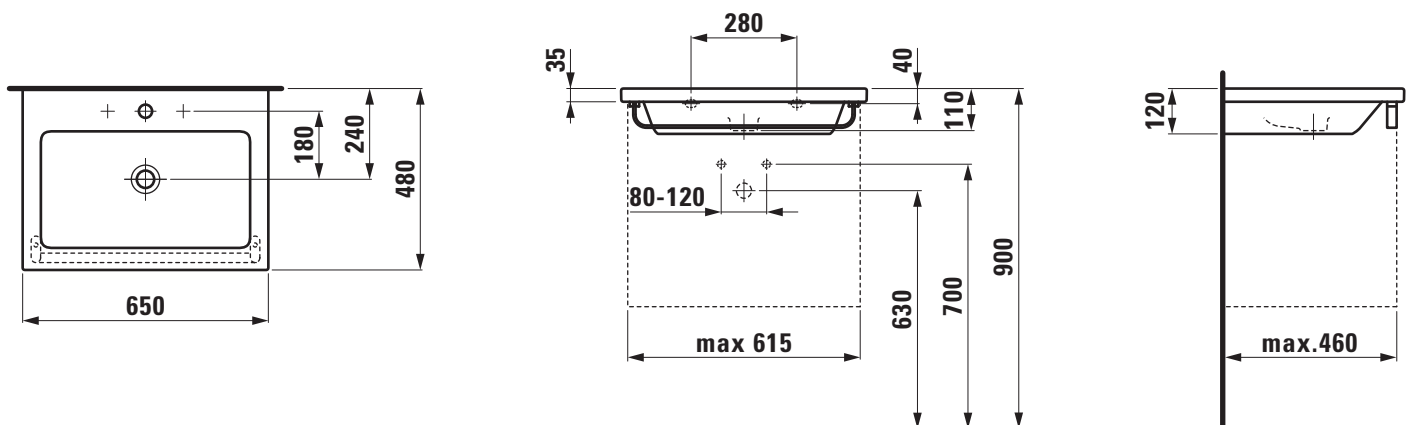
1 centre tap hole

Special feature: overflow channel glazed

Further options / accessories: 3 tap holes, without tap holes, with or without overflow, 3 tap holes distance 8 inches with overflow, towel rail 38143.2, furniture

Order no. 81643.1

TECHNICAL DRAWINGS / S 1 : 20



SET LIVING SQUARE

Countertop basin / cutable

81643.3



TECHNICAL DATA

Order no.	81643.3
Certified to	EN 14688
Dimensions	900 x 480 mm
Inside dimensions of the basin	540 x 295 mm
Specification	Always to be fixed to the wall. Cuttable to 650 mm, with towel rail to 865 mm Charge 104 – 1 centre tap hole, with overflow
Special specification	Charge 108 – 3 tap holes, with overflow Charge 109 – without tap holes, with overflow Charge 136 – 3 tap holes, distance 8 inches, with overflow
Weight	24,0 kg
Accessories excl.	Towel rail, order no. 38143.3
Mounting acc. excl.	2x Mounting set M10 x 140 mm, order no. 89988.2

Otherwise When ordering the cut version use the order form for cutting

Colours see colour table

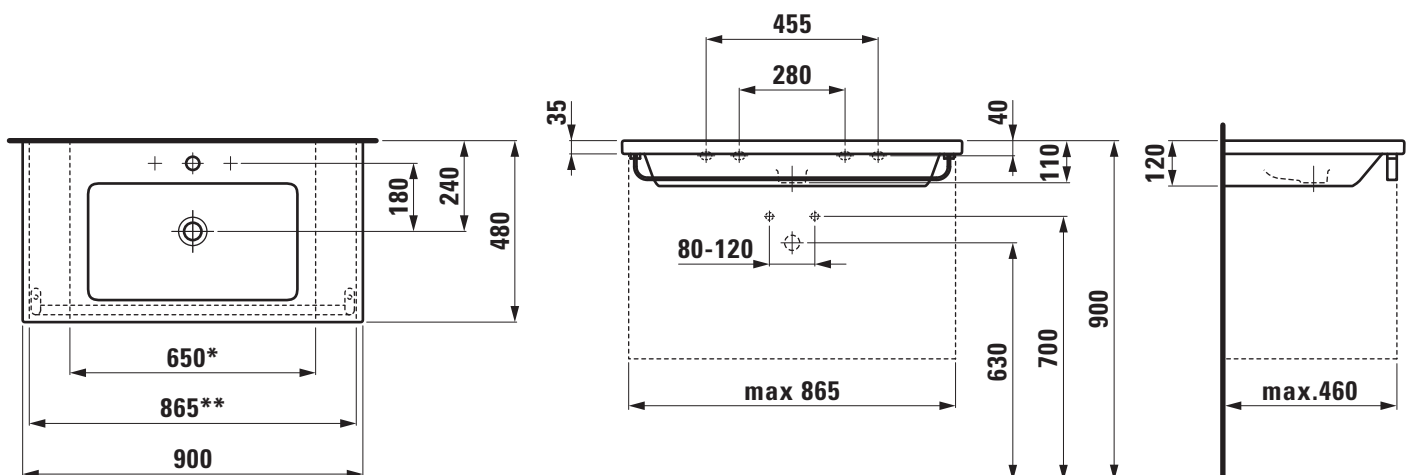
SPECIFICATION TEXT

Cutable countertop basin Laufen-LIVING SQUARE, sanitary ceramic EN 14688, dimensions 900 x 480 mm, angular, 1 centre tap hole
Special feature: overflow channel glazed, cuttable to 650 mm, with towel rail cuttable to 865 mm, integrated shelves

Further options / accessories: 3 tap holes, without tap holes, with or without overflow, 3 tap holes distance 8 inches with overflow, towel rail 38143.3, furniture

Order no. 81643.3

TECHNICAL DRAWINGS / S 1 : 20



* = minimum measure for cutting / ** = minimum measure for cutting with towel rail

SET LIVING SQUARE

Countertop basin / cutable

81643.5



TECHNICAL DATA

Order no.	81643.5
Certified to	EN 14688
Dimensions	1300 x 480 mm
Inside dimensions of the basin	540 x 295 mm
Specification	Always to be fixed to the wall. Cutable to 650 mm, with towel rail to 1260 mm Charge 104 – 1 centre tap hole, with overflow
Special specification	Charge 108 – 3 tap holes, with overflow Charge 109 – without tap holes, with overflow Charge 136 – 3 tap holes, distance 8 inches, with overflow
Weight	30,0 kg
Accessories excl.	Towel rail, order no. 38143.4
Mounting acc. excl.	2x Mounting set M10 x 140 mm, order no. 89988.2

Otherwise When ordering the cut version use the order form for cutting

Colours see colour table

SPECIFICATION TEXT

Cutable countertop basin Laufen-LIVING SQUARE, sanitary ceramic EN 14688, dimensions 1300 x 480 mm, angular

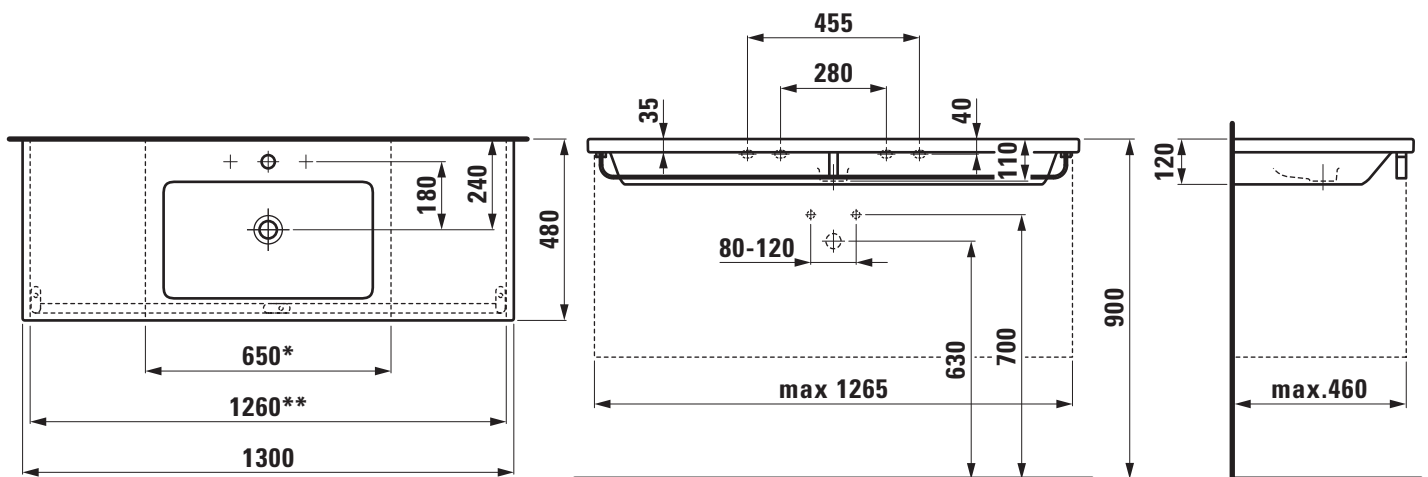
1 centre tap hole

Special feature: overflow channel glazed, cutable to 650 mm, with towel rail cutable to 1260 mm, integrated shelves

Further options / accessories: 3 tap holes, without tap holes, with or without overflow, 3 tap holes distance 8 inches with overflow, towel rail 38143.4, furniture

Order no. 81643.5

TECHNICAL DRAWINGS / S 1 : 20



* = minimum measure for cutting / ** = minimum measure for cutting with towel rail

SET LIVING SQUARE

Countertop basin / cutable

81643.8



TECHNICAL DATA

Order no.	81643.8
Certified to	EN 14688
Dimensions	1800 x 480 mm
Inside dimensions of the basin	900 x 295 mm
Specification	Always to be fixed to the wall. Cuttable to 1000 mm, with towel rail to 1765 mm Charge 104 – 1 centre tap hole, with overflow
Special specification	Charge 107 – 2 tap holes, with overflow Charge 108 – 3 tap holes, with overflow Charge 109 – without tap holes, with overflow Charge 136 – 3 tap holes, distance 8 inches, with overflow
Weight	45,0 kg
Accessories excl.	Towel rail, order no. 38143.5
Mounting acc. excl.	3x Mounting set M10 x 140 mm, order no. 89988.2

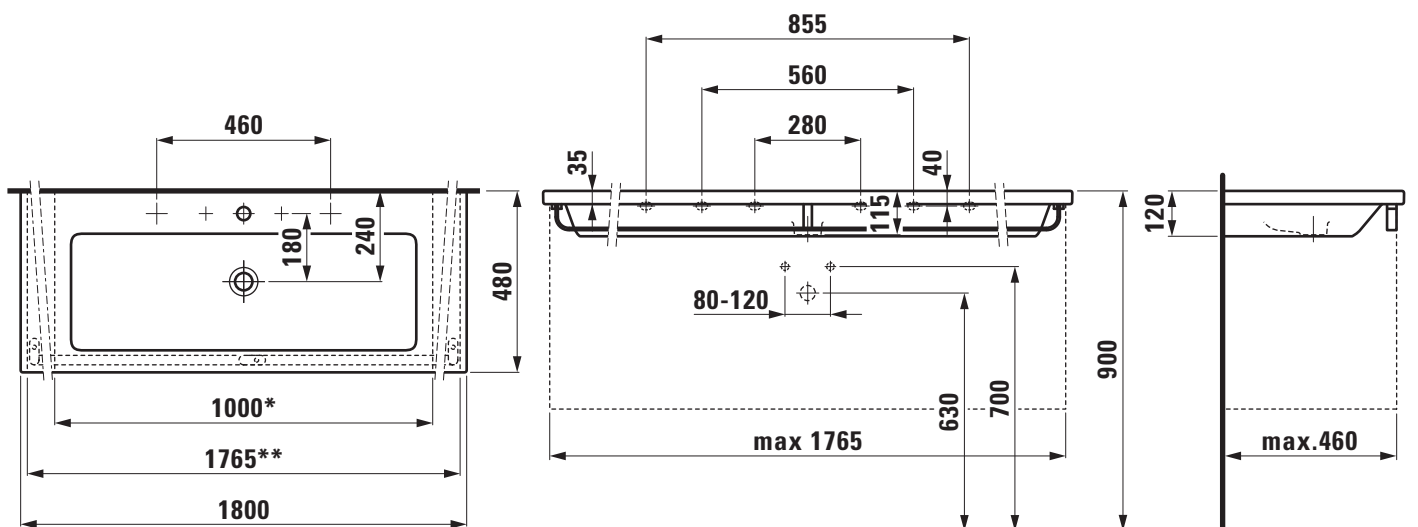
Otherwise When ordering the cut version use the order form for cutting

Colours see colour table

SPECIFICATION TEXT

Cutable countertop basin Laufen-LIVING SQUARE, sanitary ceramic EN 14688, dimensions 1800 x 480 mm, angular, 1 centre tap hole
Special feature: overflow channel glazed, cuttable to 1000 mm, with towel rail cuttable to 1765 mm, integrated shelves
Further options / accessories: 2 or 3 tap holes, without tap holes, with or without overflow, 3 tap holes distance 8 inches with overflow, towel rail 38143.5, furniture
Order no. 81643.8

TECHNICAL DRAWINGS / S 1 : 20



* = minimum measure for cutting / ** = minimum measure for cutting with towel rail

SET LIVING SQUARE

Double countertop basin

81643.6



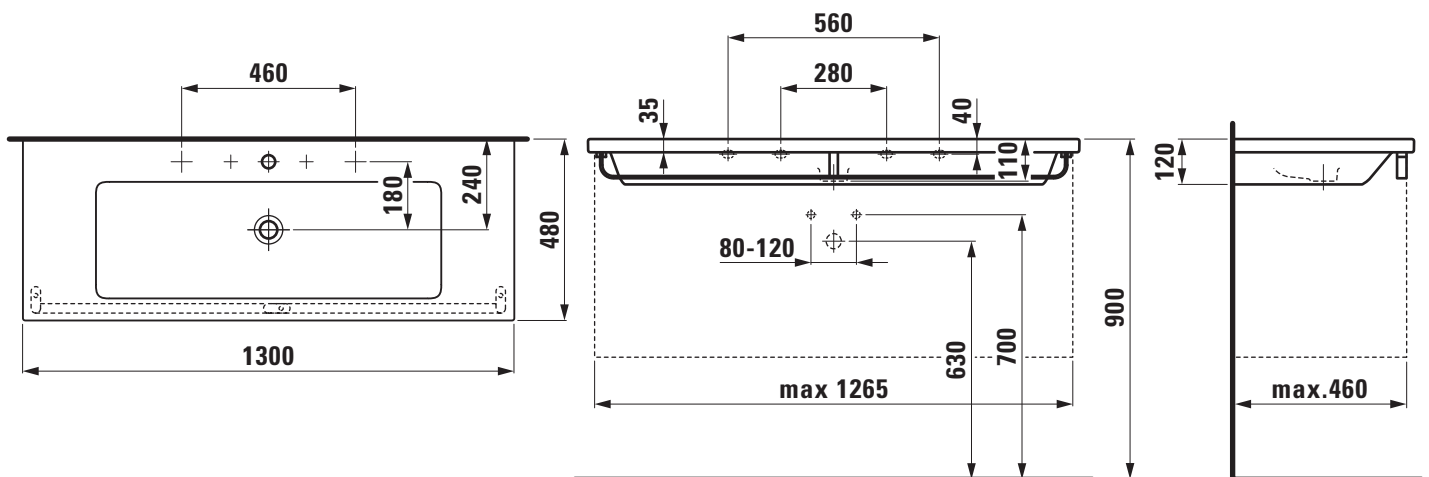
TECHNICAL DATA

Order no.	81643.6
Certified to	EN 14688
Dimensions	1300 x 480 mm
Inside dimensions of the basin	900 x 295 mm
Specification	Inside double basin Charge 104 – centre tap hole, with overflow
Special specification	Charge 107 – 2 tap holes, with overflow Charge 108 – 3 tap holes, with overflow Charge 109 – without tap holes, with overflow Charge 136 – 3 tap holes, distance 8 inches, with overflow
Weight	30,0 kg
Accessories excl.	Towel rail, order no. 38143.4
Mounting acc. excl.	2x Mounting set M10 x 140 mm, order no. 89988.2
Colours	see colour table

SPECIFICATION TEXT

Double countertop basin Laufen-LIVING SQUARE, sanitary ceramic EN 14688, dimensions 1300 x 480 mm, angular
1 centre tap hole
Special feature: overflow channel glazed, integrated shelves
Further options / accessories: 3 tap holes, without tap holes, with or without overflow, 3 tap holes distance 8 inches with overflow, towel rail 38143.4, furniture
Order no. 81643.6

TECHNICAL DRAWINGS / S 1 : 20



SET LIVING SQUARE

Drop in basin, wall mounted

81543.5



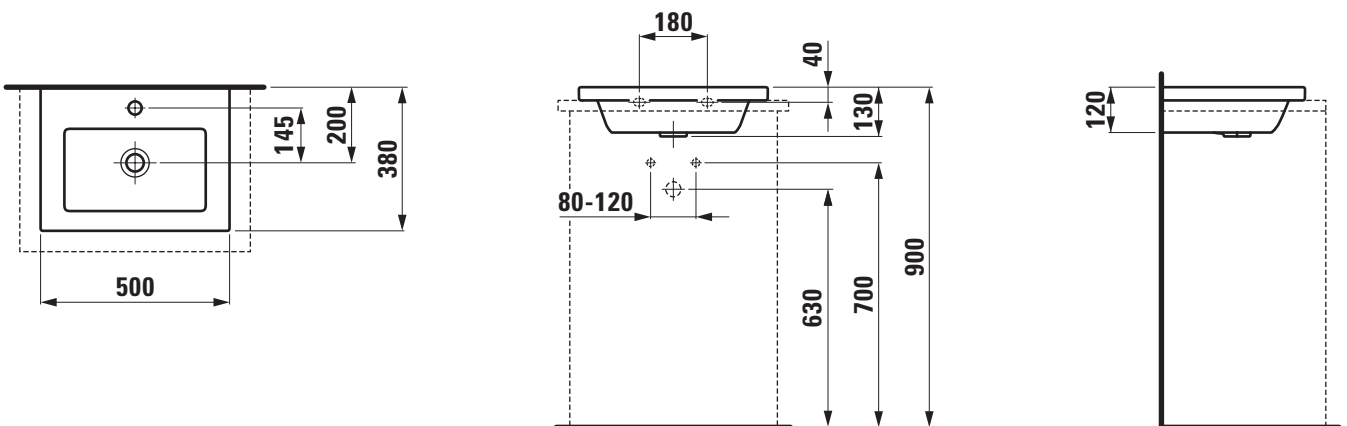
TECHNICAL DATA

Order no.	81543.5
Certified to	EN 31
Dimensions	500 x 380 mm
Specification	Always to be fixed to the wall. Charge 104 – 1 centre tap hole, with overflow
Special specification	Charge 109 – without tap hole, with overflow
Weight	10,0
Mounting acc. incl.	Template, order no. 89843.9
Mounting acc. excl.	Mounting set M10 x 140 mm, order no. 89988.2
Colours	see colour table

SPECIFICATION TEXT

Drop in basin wall mounted Laufen-LIVING SQUARE, sanitary ceramic EN 31
 dimensions 500 x 380 mm, angular
 1 centre tap hole
 Special feature: overflow channel glazed
 Further options / accessories: without tap hole, with or without overflow
 Order no. 81543.5

TECHNICAL DRAWINGS / S 1 : 20



SET LIVING SQUARE

Drop in basin, wall mounted

81643.2



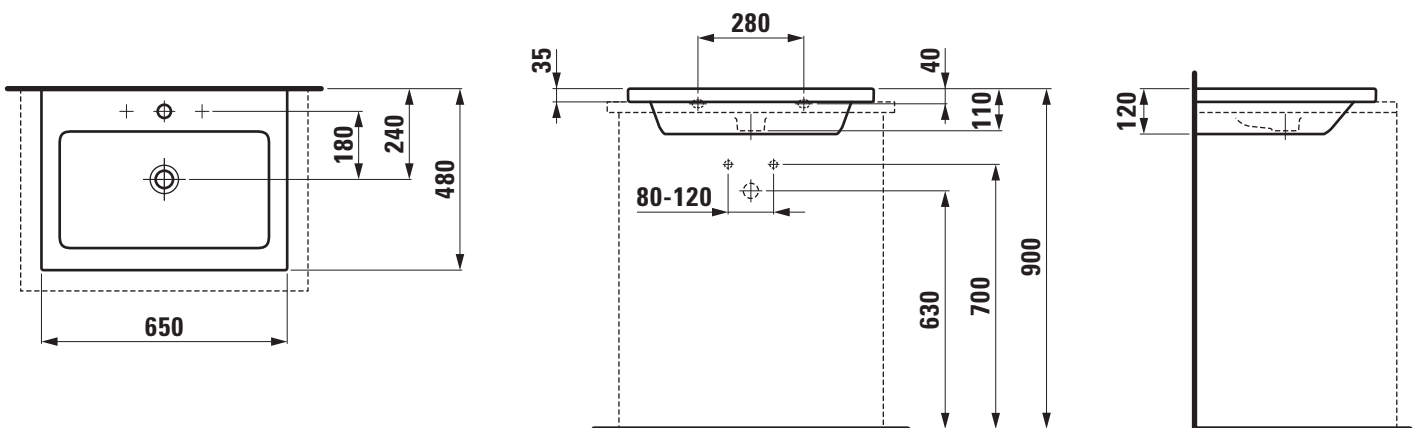
TECHNICAL DATA

Order no.	81643.2
Certified to	EN 31
Dimensions	650 x 480 mm
Inside dimensions of the basin	480 x 295 mm
Specification	Always to be fixed to the wall. Charge 104 – 1 centre tap hole, with overflow
Special specification	Charge 108 – 3 tap holes, with overflow Charge 109 – without tap holes, with overflow Charge 136 – 3 tap holes, distance 8 inches, with overflow
Weight	16,0 kg
Mounting acc. incl.	Template, order no. 89843.7
Mounting acc. excl.	Mounting set M10 x 140 mm, order no. 89988.2
Colours	see colour table

SPECIFICATION TEXT

Drop in basin wall mounted Laufen-LIVING SQUARE, sanitary ceramic EN 31, dimensions 650 x 480 mm, angular
1 centre tap hole
Special feature: overflow channel glazed
Further options / accessories: 3 tap holes, without tap holes, with or without overflow, 3 tap holes distance 8 inches with overflow, furniture
Order no. 81643.2

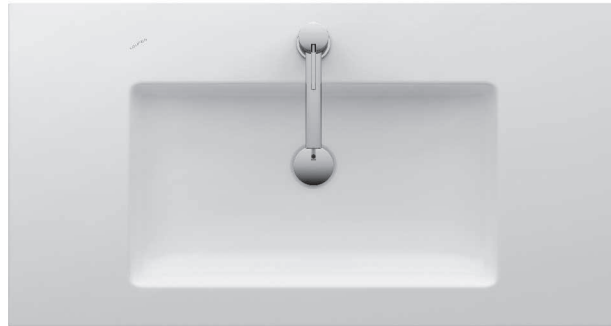
TECHNICAL DRAWINGS / S 1 : 20



SET LIVING SQUARE

Drop in basin, wall mounted

81643.4



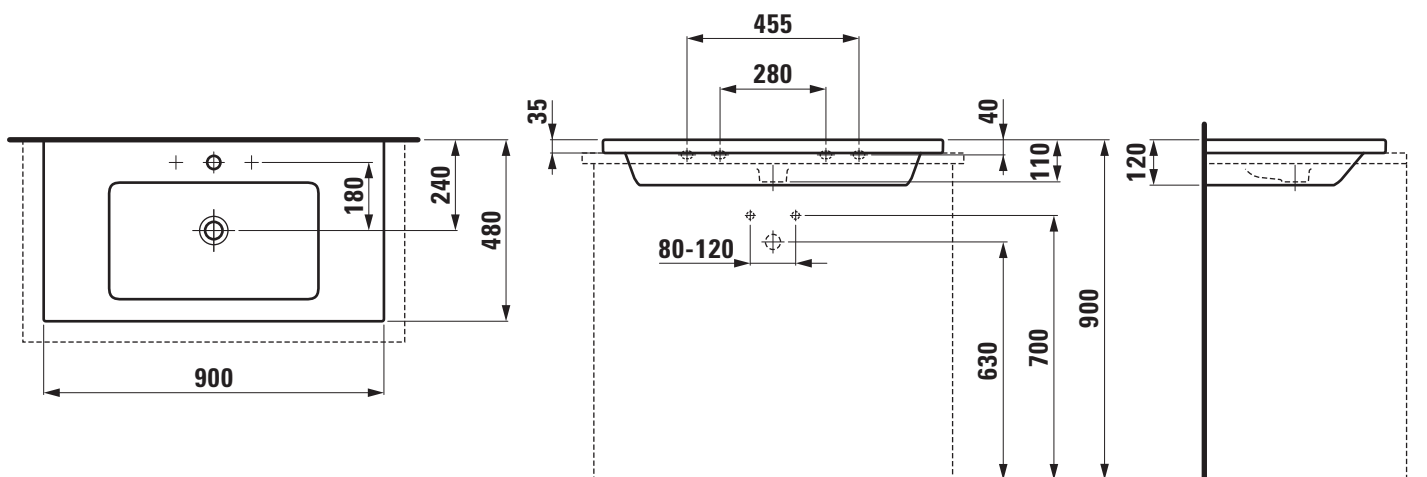
TECHNICAL DATA

Order no.	81643.4
Certified to	EN 14688
Dimensions	900 x 480 mm
Inside dimensions of the basin	540 x 295 mm
Specification	Always to be fixed to the wall. Charge 104 – 1 centre tap hole, with overflow
Special specification	Charge 108 – 3 tap holes, with overflow Charge 109 – without tap holes, with overflow Charge 136 – 3 tap holes, distance 8 inches, with overflow
Weight	24,0 kg
Mounting acc. incl.	Template, order no. 89843.8
Mounting acc. excl.	2x Mounting set M10 x 140 mm, order no. 89988.2
Colours	see colour table

SPECIFICATION TEXT

Drop in basin wall mounted Laufen-LIVING SQUARE, sanitary ceramic EN 14688, dimensions 900 x 480 mm, angular, 1 centre tap hole
Special feature: overflow channel glazed, integrated shelves
Further options / accessories: 3 tap holes, without tap holes, with or without overflow, 3 tap holes distance 8 inches with overflow, furniture
Order no. 81643.4

TECHNICAL DRAWINGS / S 1 : 20



SET LIVING SQUARE

Countertop small washbasin

81543.4



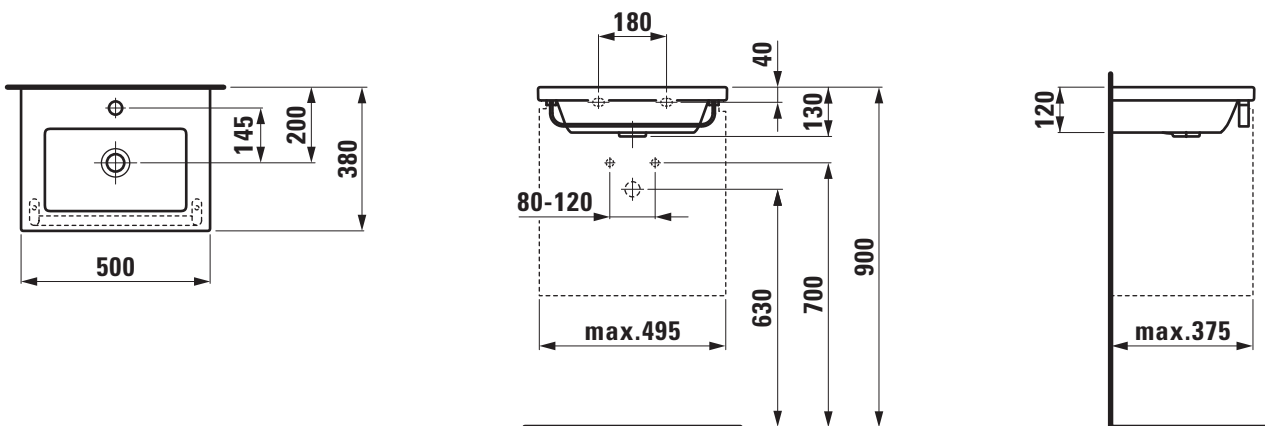
TECHNICAL DATA

Order no.	81543.4
Certified to	EN 31
Dimensions	500 x 380 mm
Specification	Always to be fixed to the wall. Charge 104 – 1 centre tap hole, with overflow
Special specification	Charge 109 – without tap hole, with overflow
Weight	10,0
Accessories excl.	Towel rail, order no. 38143.1
Mounting acc. excl.	Mounting set M10 x 140 mm, order no. 89988.2
Colours	see colour table

SPECIFICATION TEXT

Countertop small washbasin Laufen-LIVING SQUARE, sanitary ceramic
EN 31
dimensions 500 x 380 mm, angular
1 centre tap hole
Special feature: overflow channel glazed
Further options / accessories: without tap hole, with or without overflow,
towel rail 38143.1
Order no. 81543.4

TECHNICAL DRAWINGS / S 1 : 20



SET LIVING CITY
Countertop basin
81743.1



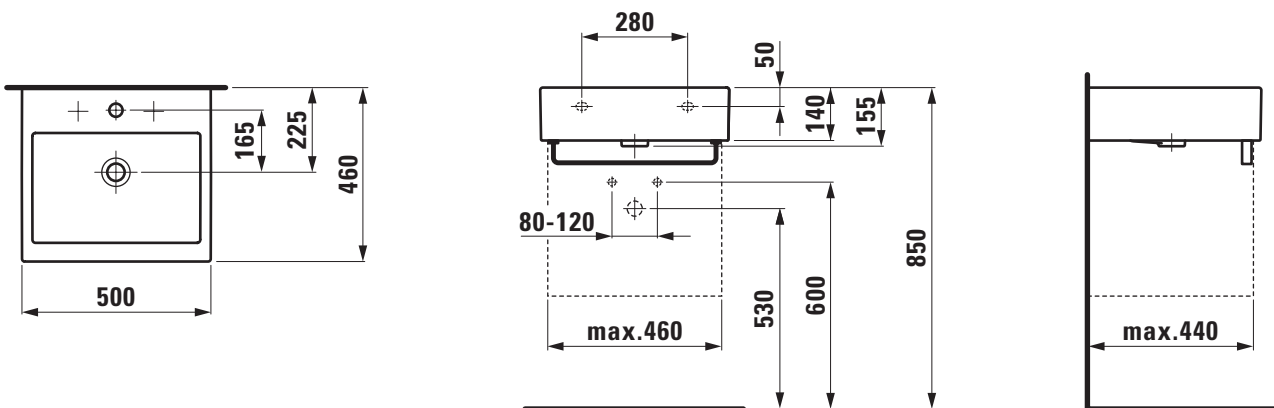
TECHNICAL DATA

Order no.	81743.1
Certified to	EN 31
Dimensions	500 x 460 mm
Inside dimensions of the basin	445 x 290 mm
Specification	Charge 104 – 1 centre tap hole
Special specification	Charge 108 – 3 tap holes Charge 109 – without tap hole Charge 136 – 3 tap holes, distance 8 inches
Weight	15,6 kg
Accessories excl.	Towel rail, order no. 89542.3
Mounting acc. excl.	Mounting set M10 x 140 mm, order no. 89988.2
Colours	see colour table

SPECIFICATION TEXT

Countertop basin Laufen-LIVING CITY, sanitary ceramic
 EN 31
 dimensions 500 x 460 mm, angular
 1 centre tap hole
 Special feature: overflow channel glazed
 Further options / accessories: 3 tap holes, without tap holes, 1 tap hole without overflow, without tap holes and overflow, 3 tap holes distance 8 inches, towel rail 89542.2, furniture
 Order no. 81743.1

TECHNICAL DRAWINGS / S 1 : 20





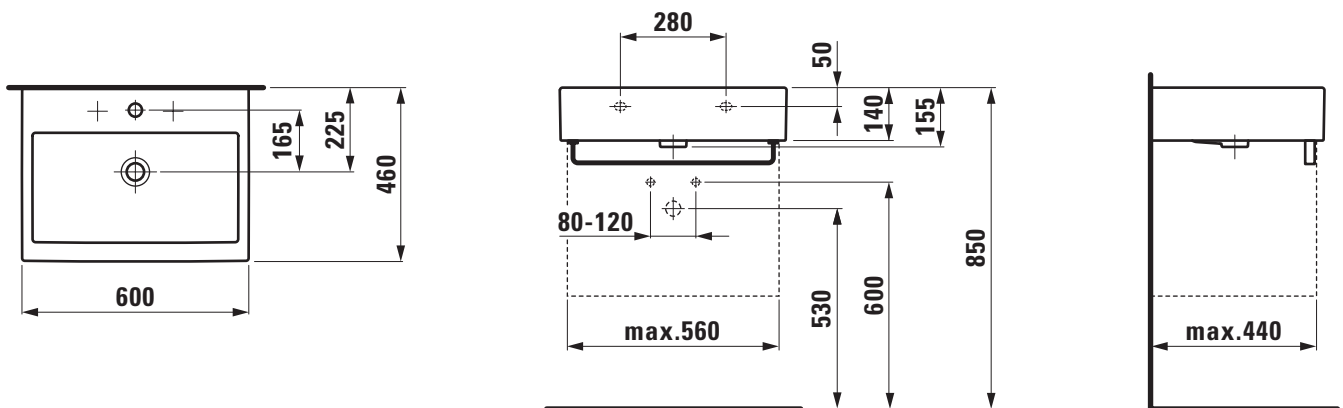
TECHNICAL DATA

Order no.	81743.3
Certified to	EN 31
Dimensions	600 x 460 mm
Inside dimensions of the basin	550 x 295 mm
Specification	Charge 104 – 1 centre tap hole
Special specification	Charge 108 – 3 tap holes Charge 109 – without tap hole Charge 136 – 3 tap holes, distance 8 inches
Weight	18,6 kg
Accessories excl.	Towel rail, order no. 89542.4
Mounting acc. excl.	Mounting set M10 x 140 mm, order no. 89988.2
Colours	see colour table

SPECIFICATION TEXT

Countertop basin Laufen-LIVING CITY, sanitary ceramic
EN 31
dimensions 600 x 460 mm, angular
1 centre tap hole
Special feature: overflow channel glazed
Further options / accessories: 3 tap holes, without tap holes, 1 tap hole without overflow, without tap holes and overflow, 3 tap holes distance 8 inches, towel rail 89542.4, furniture
Order no. 81743.3

TECHNICAL DRAWINGS / S 1 : 20



SET LIVING CITY
Countertop basin
81743.6



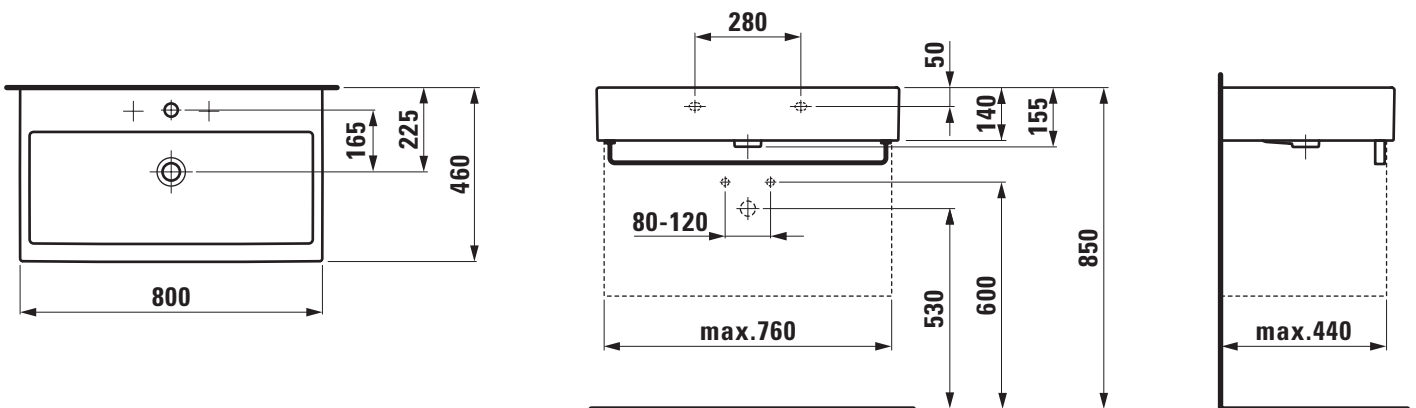
TECHNICAL DATA

Order no.	81743.6
Certified to	EN 31
Dimensions	800 x 460 mm
Inside dimensions of the basin	750 x 285 mm
Specification	Charge 104 – 1 centre tap hole
Special specification	Charge 108 – 3 tap holes Charge 109 – without tap hole Charge 136 – 3 tap holes, distance 8 inches
Weight	22,0 kg
Accessories excl.	Towel rail, order no. 89542.5
Mounting acc. excl.	Mounting set M10 x 140 mm, order no. 89988.2
Colours	see colour table

SPECIFICATION TEXT

Countertop basin Laufen-LIVING CITY, sanitary ceramic
 EN 31
 dimensions 800 x 460 mm, angular
 1 centre tap hole
 Special feature: overflow channel glazed
 Further options / accessories: 3 tap holes, without tap holes, 1 tap hole without overflow, without tap holes and overflow, 3 tap holes distance 8 inches, towel rail 89542.5, furniture
 Order no. 81743.6

TECHNICAL DRAWINGS / S 1 : 20





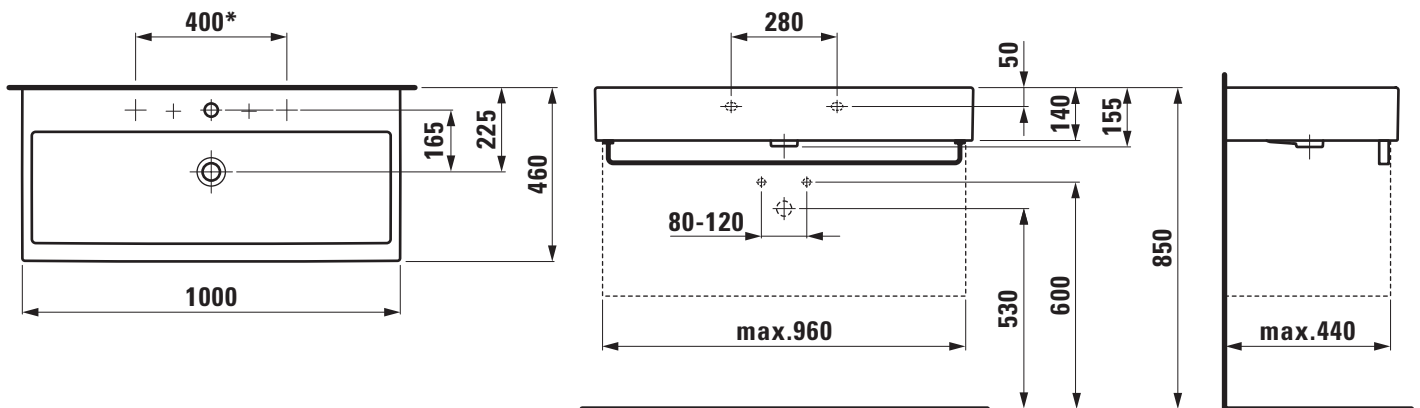
TECHNICAL DATA

Order no.	81843.7
Certified to	EN 31
Dimensions	1000 x 460 mm
Inside dimensions of the basin	950 x 300 mm
Specification	Charge 104 – 1 centre tap hole
Special specification	Charge 107 – 2 tap holes, distance 400 mm Charge 108 – 3 tap holes Charge 109 – without tap hole Charge 136 – 3 tap holes, distance 8 inches
Weight	26,5 kg
Accessories excl.	Towel rail, order no. 89542.6
Mounting acc. excl.	Mounting set M10 x 140 mm, order no. 89988.2
Colours	see colour table

SPECIFICATION TEXT

Countertop basin Laufen-LIVING CITY, sanitary ceramic EN 31
 dimensions 1000 x 460 mm, angular
 1 centre tap hole
 Special feature: overflow channel glazed
 Further options / accessories: 2 tap holes distance 400 mm, 3 tap holes, without tap holes, 1 tap hole without overflow, without tap holes and overflow, 3 tap holes distance 8 inches, towel rail 89542.6, furniture Order no. 81843.7

TECHNICAL DRAWINGS / S 1 : 20



* = only Charge 107



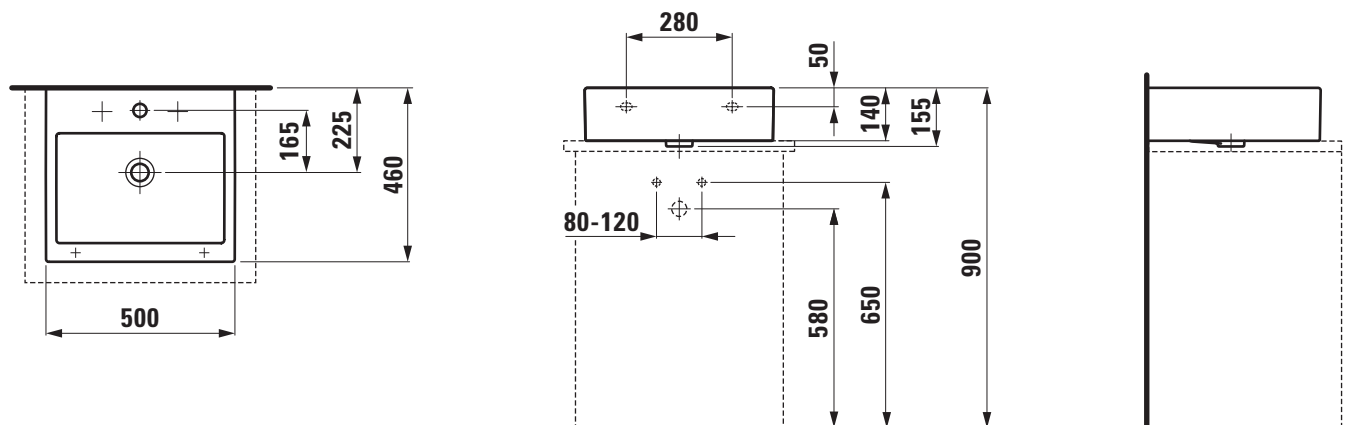
TECHNICAL DATA

Order no.	81743.2
Certified to	EN 31
Dimensions	500 x 460 mm
Inside dimensions of the basin	445 x 290 mm
Specification	Always to be fixed to the wall. Undersurface ground Charge 104 – 1 centre tap hole
Special specification	Charge 108 – 3 tap holes Charge 109 – without tap hole Charge 136 – 3 tap holes, distance 8 inches
Weight	15,6 kg
Mounting acc. incl.	Template, order no. 89787.4 Fixing set, order no. 89194.0
Mounting acc. excl.	Mounting set M10 x 140 mm, order no. 89988.2
Colours	see colour table

SPECIFICATION TEXT

Washbasin undersurface ground Laufen-LIVING CITY, sanitary ceramic EN 31
 dimensions 500 x 460 mm, angular
 1 centre tap hole
 Special feature: overflow channel glazed
 Further options / accessories: 3 tap holes, without tap holes, 1 tap hole without overflow, without tap holes and overflow, 3 tap holes distance 8 inches, furniture
 Order no. 81743.2

TECHNICAL DRAWINGS / S 1 : 20





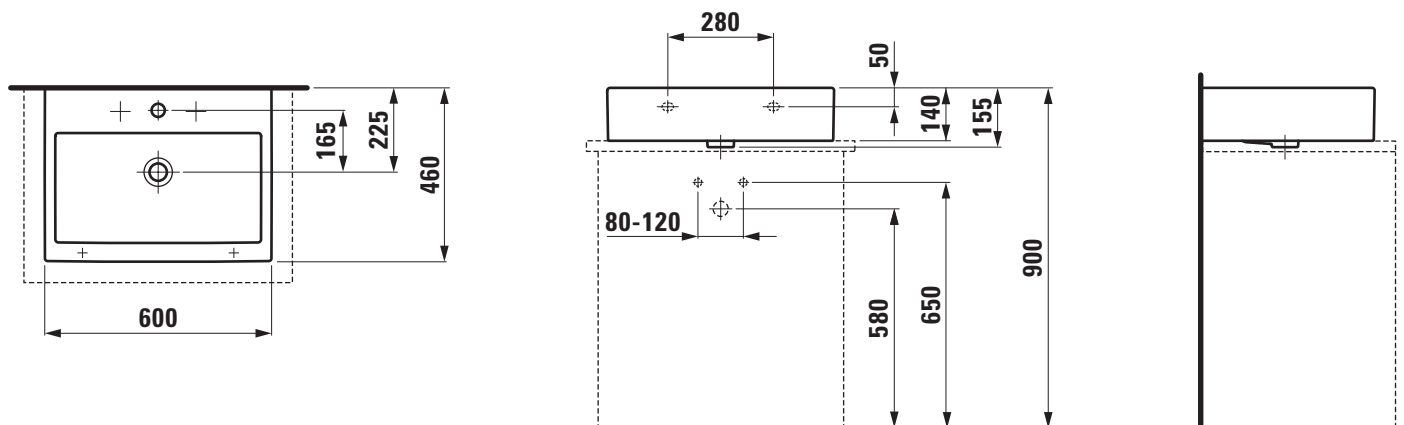
TECHNICAL DATA

Order no.	81743.4
Certified to	EN 31
Dimensions	600 x 460 mm
Inside dimensions of the basin	550 x 295 mm
Specification	Always to be fixed to the wall. Undersurface ground Charge 104 – 1 centre tap hole
Special specification	Charge 108 – 3 tap holes Charge 109 – without tap hole Charge 136 – 3 tap holes, distance 8 inches
Weight	18,6 kg
Mounting acc. incl.	Template, order no. 89787.5 Fixing set, order no. 89194.0
Mounting acc. excl.	Mounting set M10 x 140 mm, order no. 89988.2
Colours	see colour table

SPECIFICATION TEXT

Washbasin undersurface ground Laufen-LIVING CITY, sanitary ceramic
EN 31
dimensions 600 x 460 mm, angular
1 centre tap hole
Special feature: overflow channel glazed
Further options / accessories: 3 tap holes, without tap holes, 1 tap hole without overflow, without tap holes and overflow, 3 tap holes distance 8 inches, furniture
Order no. 81743.4

TECHNICAL DRAWINGS / S 1 : 20



**Washbasin undersurface ground
81743.7**



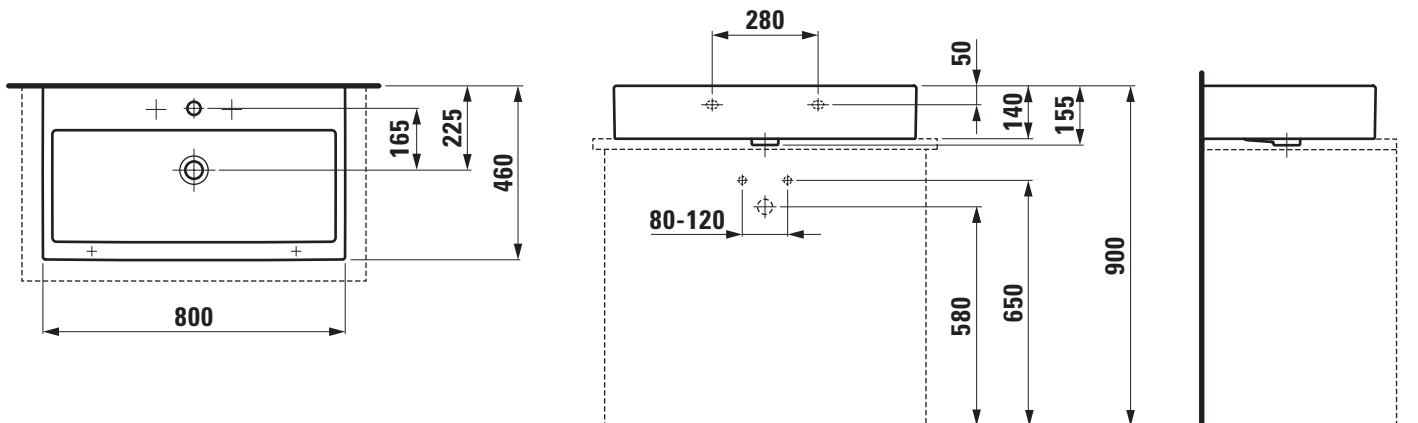
TECHNICAL DATA

Order no.	81743.7
Certified to	EN 31
Dimensions	800 x 460 mm
Inside dimensions of the basin	750 x 285 mm
Specification	Always to be fixed to the wall. Undersurface ground Charge 104 – 1 centre tap hole
Special specification	Charge 108 – 3 tap holes Charge 109 – without tap hole Charge 136 – 3 tap holes, distance 8 inches
Weight	22,0 kg
Mounting acc. incl.	Template, order no. 89787.6 Fixing set, order no. 89194.0
Mounting acc. excl.	Mounting set M10 x 140 mm, order no. 89988.2
Colours	see colour table

SPECIFICATION TEXT

Washbasin undersurface ground Laufen-LIVING CITY, sanitary ceramic
EN 31
dimensions 800 x 460 mm, angular
1 centre tap hole
Special feature: overflow channel glazed
Further options / accessories: 3 tap holes, without tap holes, 1 tap hole without overflow, without tap holes and overflow, 3 tap holes distance 8 inches, furniture
Order no. 81743.7

TECHNICAL DRAWINGS / S 1 : 20



Washbasin undersurface ground
 81843.8



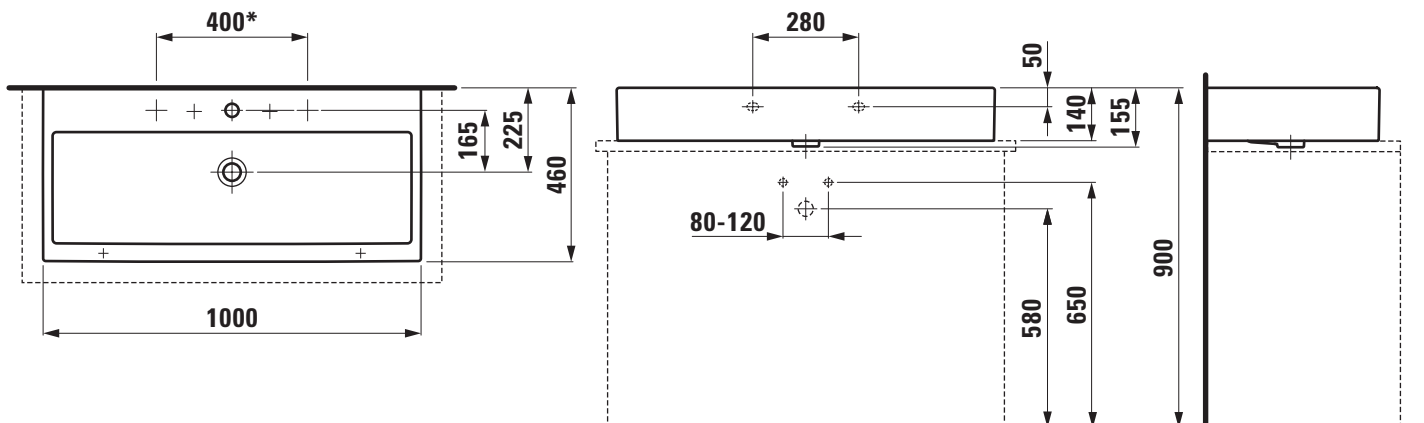
TECHNICAL DATA

Order no.	81843.8
Certified to	EN 31
Dimensions	1000 x 460 mm
Inside dimensions of the basin	950 x 300 mm
Specification	Always to be fixed to the wall. Undersurface ground Charge 104 – 1 centre tap hole
Special specification	Charge 107 – 2 tap holes, distance 400 mm Charge 108 – 3 tap holes Charge 109 – without tap hole Charge 136 – 3 tap holes, distance 8 inches
Weight	26,5 kg
Mounting acc. incl.	Template, order no. 89787.9 Fixing set, order no. 89194.0
Mounting acc. excl.	Mounting set M10 x 140 mm, order no. 89988.2
Colours	see colour table

SPECIFICATION TEXT

Washbasin undersurface ground Laufen-LIVING CITY, sanitary ceramic EN 31
 dimensions 1000 x 460 mm, angular
 1 centre tap hole
 Special feature: overflow channel glazed
 Further options / accessories: 2 tap holes distance 400 mm, 3 tap holes, without tap holes, 1 tap hole without overflow, without tap holes and overflow, 3 tap holes distance 8 inches, furniture
 Order no. 81843.8

TECHNICAL DRAWINGS / S 1 : 20



* = only Charge 107

Countertop basin / cutable
 81843.1



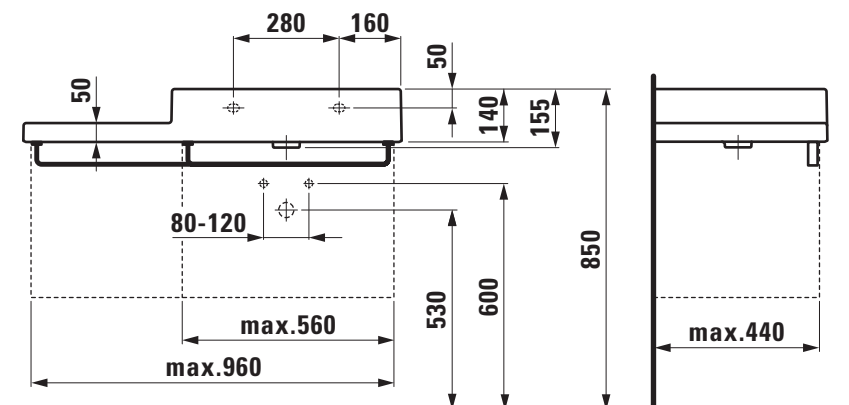
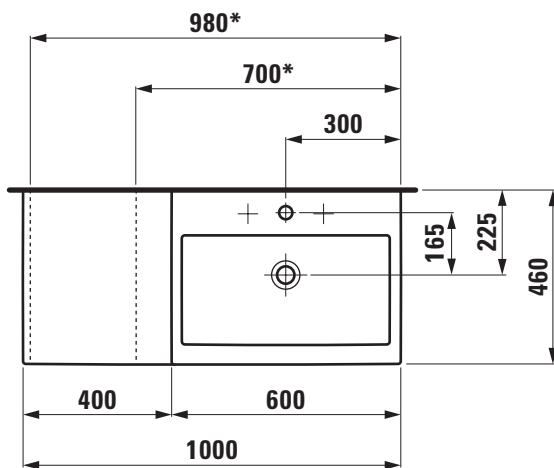
TECHNICAL DATA

Order no.	81843.1
Certified to	EN 31
Dimensions	1000 x 460 mm
Inside dimensions of the basin	550 x 290 mm
Specification	Basin right, ceramic shelf left without decoration Cut one-sided to 700 - 980 mm Charge 104 – 1 centre tap hole
Special specification	Charge 108 – 3 tap holes Charge 109 – without tap hole Charge 136 – 3 tap holes, distance 8 inches Charge 135 – 1 centre tap hole, cut one-sided
Weight	26,0 kg
Accessories excl.	Towel rail 600 mm, order no. 89542.4 Towel rail 1000 mm, order no. 89542.6
Mounting acc. excl.	Mounting set M10 x 140 mm, order no. 89988.2
Otherwise	When ordering the cut version use the order form for cutting
Colours	see colour table

SPECIFICATION TEXT

Cutable countertop basin Laufen-LIVING CITY, sanitary ceramic EN 31 dimensions 1000 x 460 mm, angular basin right, 1 centre tap hole
 Special feature: overflow channel glazed, cut one-sided to 700 - 980 mm, integrated shelf left
 Further options / accessories: 3 tap holes, without tap holes, 1 tap hole without overflow, without tap holes and overflow, 3 tap holes distance 8 inches, towel rail 600 mm 89542.4 / 1000 mm 89542.6, furniture Order no. 81843.1

TECHNICAL DRAWINGS / S 1 : 20



* = minimum/maximum measure for cutting

Countertop basin / cutable
 81843.2



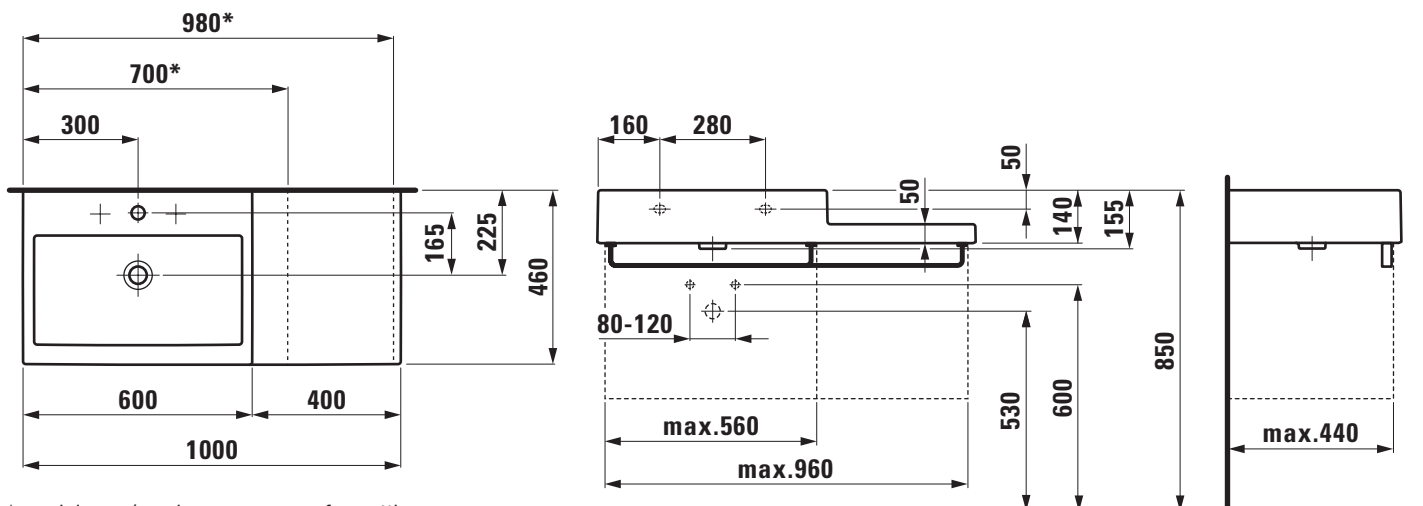
TECHNICAL DATA

Order no.	81843.2
Certified to	EN 31
Dimensions	1000 x 460 mm
Inside dimensions of the basin	550 x 290 mm
Specification	Basin left, ceramic shelf right without decoration Cut one-sided to 700 - 980 mm Charge 104 – 1 centre tap hole
Special specification	Charge 108 – 3 tap holes Charge 109 – without tap hole Charge 136 – 3 tap holes, distance 8 inches Charge 135 – 1 centre tap hole, cut one-sided
Weight	26,0 kg
Accessories excl.	Towel rail 600 mm, order no. 89542.4 Towel rail 1000 mm, order no. 89542.6
Mounting acc. excl.	Mounting set M10 x 140 mm, order no. 89988.2
Otherwise	When ordering the cut version use the order form for cutting
Colours	see colour table

SPECIFICATION TEXT

Cutable countertop basin Laufen-LIVING CITY, sanitary ceramic EN 31
 dimensions 1000 x 460 mm, angular
 basin left, 1 centre tap hole
 Special feature: overflow channel glazed, cut one-sided to 700 - 980 mm,
 integrated shelf right
 Further options / accessories: 3 tap holes, without tap holes, 1 tap hole
 without overflow, without tap holes and overflow, 3 tap holes distance
 8 inches, towel rail 600 mm 89542.4 / 1000 mm 89542.6, furniture
 Order no. 81843.2

TECHNICAL DRAWINGS / S 1 : 20



* = minimum/maximum measure for cutting



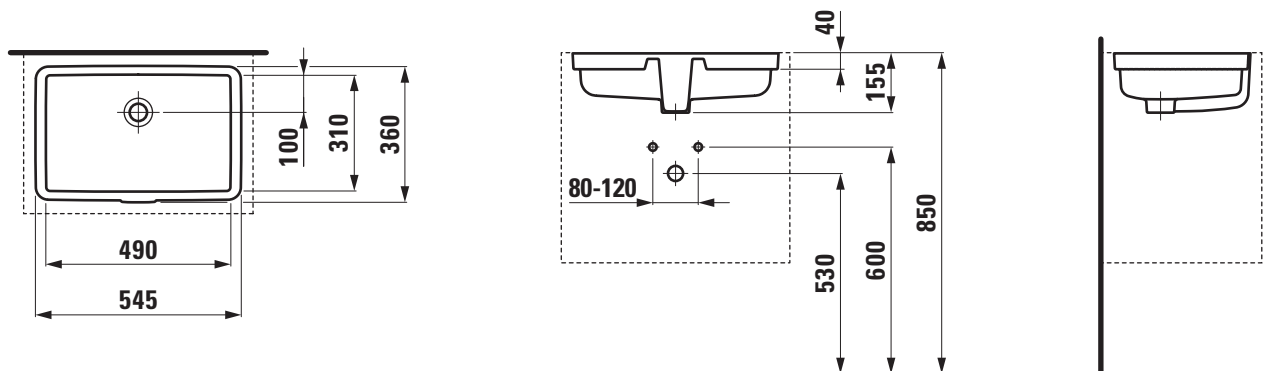
TECHNICAL DATA

Order no.	81243.0
Dimensions	545 x 360 mm
Inside dimensions of the basin	490 x 310 mm
Specification	Charge 109 – without tap hole
Special specification	Charge 155 – glazed outer surface
Weight	8,0 kg
Mounting acc. incl.	Mounting set, order no. 89296.3
Colours	see colour table

SPECIFICATION TEXT

Built in basin not grinded LIVING CITY, sanitary ceramic dimensions 545 x 360 mm, angular without tap hole, overflow in front
 Special feature: overflow channel glazed
 Further options / accessories: glazed outer surface, furniture
 Order no. 81243.0

TECHNICAL DRAWINGS / S 1 : 20



SET LIVING CITY
Built in basin grinded
81243.1



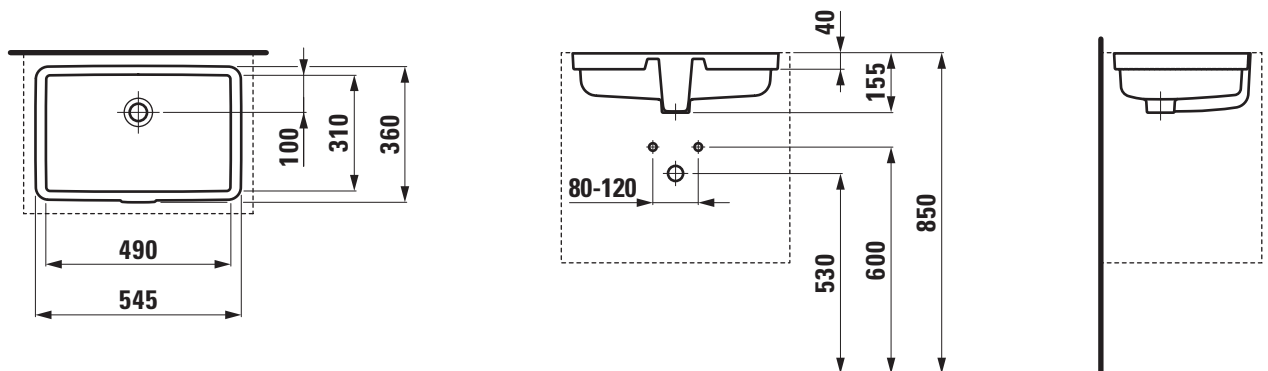
TECHNICAL DATA

Order no.	81243.1
Dimensions	545 x 360 mm
Inside dimensions of the basin	490 x 310 mm
Specification	Charge 109 – without tap hole
Special specification	Charge 155 – glazed outer surface
Weight	8,0 kg
Mounting acc. incl.	Mounting set, order no. 89296.3
Colours	see colour table

SPECIFICATION TEXT

Built in basin grinded LIVING CITY, sanitary ceramic dimensions 545 x 360 mm, angular without tap hole, overflow in front
 Special feature: overflow channel glazed
 Further options / accessories: glazed outer surface, furniture
 Order no. 81243.1

TECHNICAL DRAWINGS / S 1 : 20



SET LIVING CITY

Built in basin not grinded

81243.4



TECHNICAL DATA

Order no.	81243.4
Certified to	EN 31
Dimensions	400 x 335 mm
Inside dimensions of the basin	350 x 280 mm
Specification	Charge 109 – without tap hole
Special specification	Charge 155 – glazed outer surface
Weight	
Mounting acc. incl.	Template, order no. 89815.5 Mounting set, order no. 89296.3
Colours	see colour table

SPECIFICATION TEXT

Built in basin not grinded LIVING CITY, sanitary ceramic EN 31

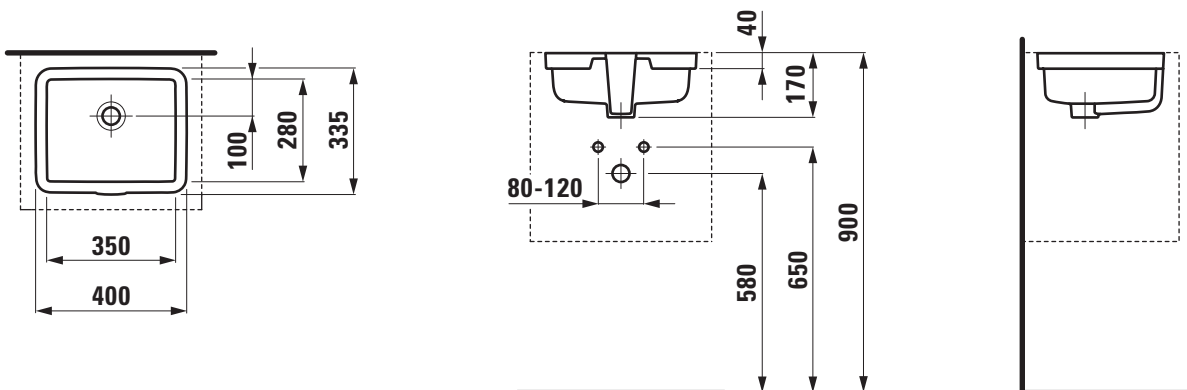
dimensions 400 x 335 mm, angular without tap hole, overflow in front

Special feature: overflow channel glazed

Further options / accessories: glazed outer surface, furniture

Order no. 81243.4

TECHNICAL DRAWINGS / S 1 : 20



SET LIVING CITY
Built in basin grinded
81243.2



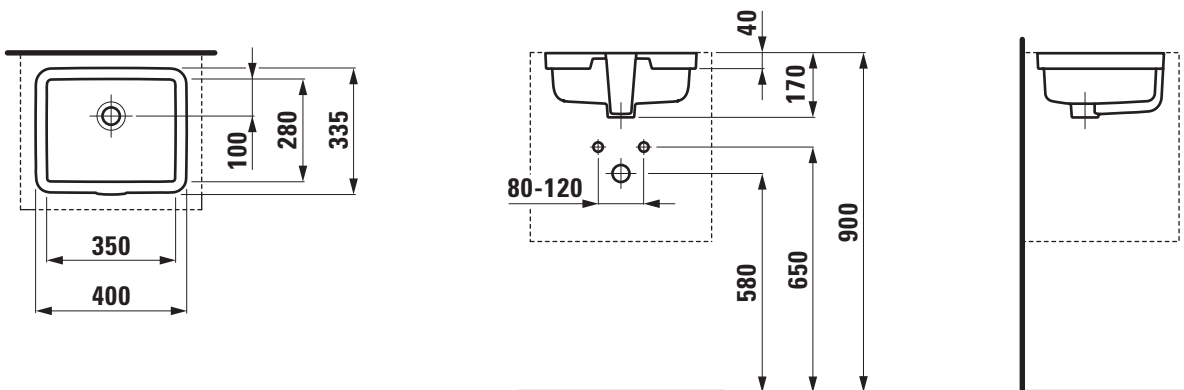
TECHNICAL DATA

Order no.	81243.2
Certified to	EN 31
Dimensions	400 x 335 mm
Inside dimensions of the basin	350 x 280 mm
Specification	Charge 109 – without tap hole
Special specification	Charge 155 – glazed outer surface
Weight	
Mounting acc. incl.	Template, order no. 89815.5 Mounting set, order no. 89296.3
Colours	see colour table

SPECIFICATION TEXT

Built in basin grinded LIVING CITY, sanitary ceramic
 EN 31
 dimensions 400 x 335 mm, angular
 without tap hole, overflow in front
 Special feature: overflow channel glazed
 Further options / accessories: glazed outer surface, furniture
 Order no. 81243.2

TECHNICAL DRAWINGS / S 1 : 20





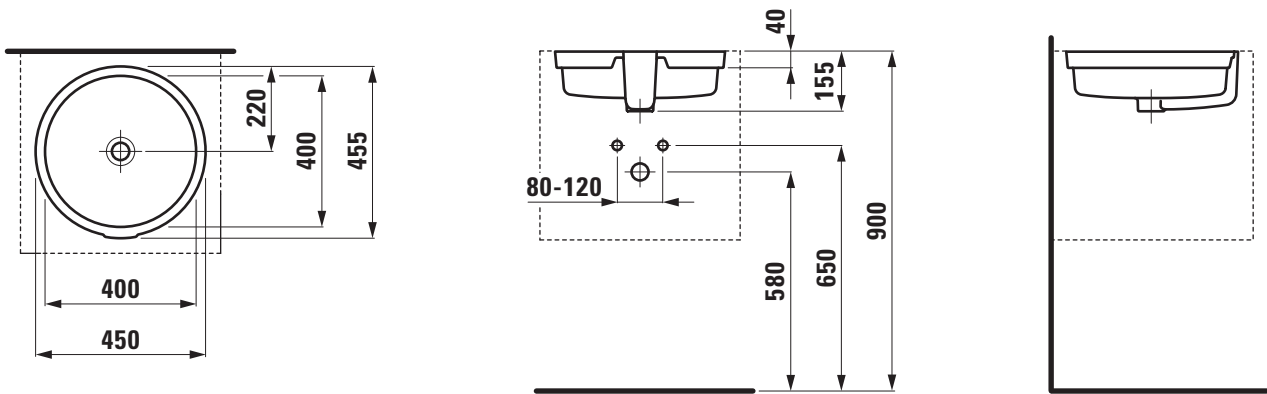
TECHNICAL DATA

Order no.	81343.8
Dimensions	450 x 455 mm
Inside dimensions of the basin	Ø 400 mm
Specification	Charge 109 – without tap hole
Special specification	Charge 155 – glazed outer surface
Weight	7,0 kg
Mounting acc. incl.	Template, order no. 89815.6 Mounting set, order no. 89296.3
Colours	see colour table

SPECIFICATION TEXT

Built in basin not grinded LIVING CITY, sanitary ceramic dimensions 450 x 455 mm, round without tap hole, overflow in front
 Special feature: overflow channel glazed
 Further options / accessories: glazed outer surface, furniture
 Order no. 81343.8

TECHNICAL DRAWINGS / S 1 : 20





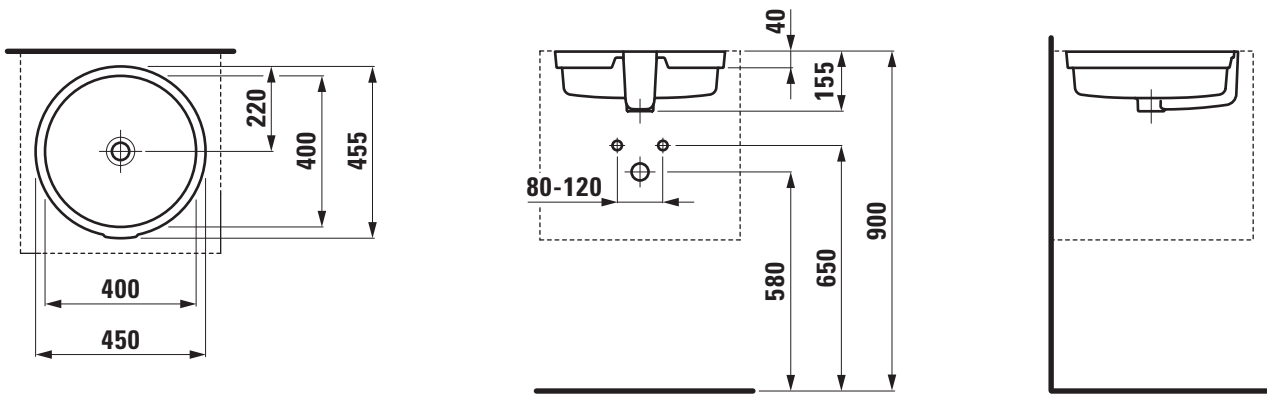
TECHNICAL DATA

Order no.	81343.9
Dimensions	450 x 455 mm
Inside dimensions of the basin	Ø 400 mm
Specification	Charge 109 – without tap hole
Special specification	Charge 155 – glazed outer surface
Weight	7,0 kg
Mounting acc. incl.	Template, order no. 89815.6 Mounting set, order no. 89296.3
Colours	see colour table

SPECIFICATION TEXT

Built in basin grinded LIVING CITY, sanitary ceramic dimensions 450 x 455 mm, round without tap hole, overflow in front
Special feature: overflow channel glazed
Further options / accessories: glazed outer surface, furniture
Order no. 81343.9

TECHNICAL DRAWINGS / S 1 : 20



SET LIVING CITY
Semi recessed basin
81343.1



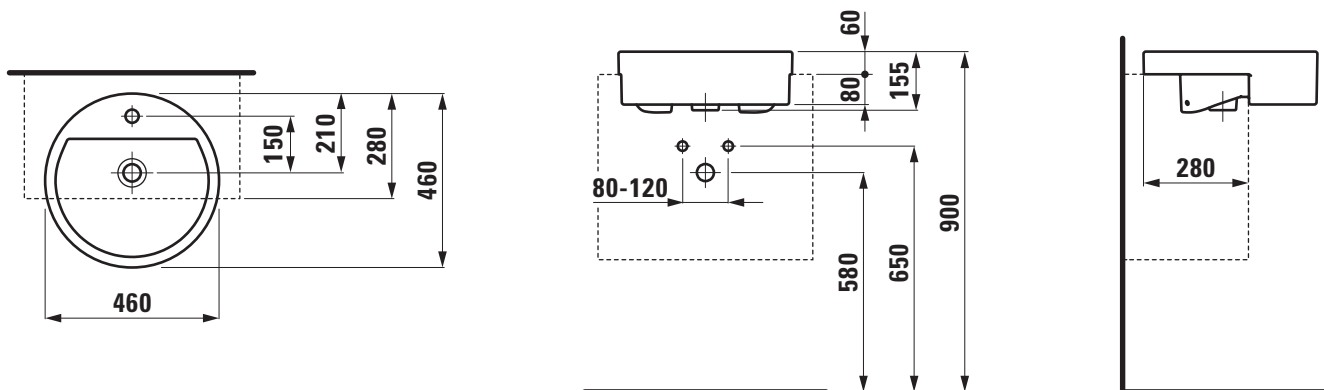
TECHNICAL DATA

Order no.	81343.1
Dimensions	460 x 460 mm
Inside dimensions of the basin	400 x 310 mm
Certified to	EN 31
Specification	Charge 104 – 1 centre tap hole
Special specification	Charge 109 – without tap hole
Weight	11,0 kg
Mounting acc. incl.	Template, order no. 89815.3 Fixing set, order no. 89909.0
Colours	see colour table

SPECIFICATION TEXT

Semi recessed basin Laufen-LIVING CITY, sanitary ceramic
 EN 31
 dimensions 460 x 460 mm, round
 1 centre tap hole
 Special feature: overflow channel glazed
 Further options / accessories: 1 tap hole without overflow, without tap holes and overflow,
 Order no. 81343.1

TECHNICAL DRAWINGS / S 1 : 20





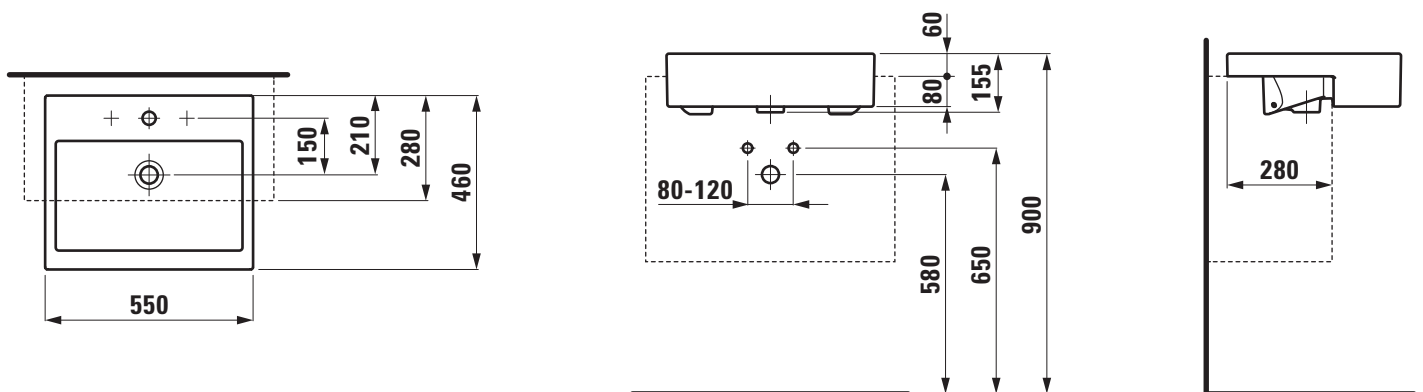
TECHNICAL DATA

Order no.	81343.2
Dimensions	550 x 460 mm
Inside dimensions of the basin	490 x 290 mm
Certified to	EN 31
Specification	Charge 104 – 1 centre tap hole
Special specification	Charge 108 – 3 tap holes Charge 109 – without tap hole
Weight	15,0 kg
Mounting acc. incl.	Template, order no. 89815.4 Fixing set, order no. 89909.0
Colours	see colour table

SPECIFICATION TEXT

Semi recessed basin Laufen-LIVING CITY, sanitary ceramic EN 31
 dimensions 550 x 460 mm, symmetric
 1 centre tap hole
 Special feature: overflow channel glazed
 Further options / accessories: 3 tap holes, without tap holes, 1 tap hole without overflow, without tap holes and overflow,
 Order no. 81343.2

TECHNICAL DRAWINGS / S 1 : 20





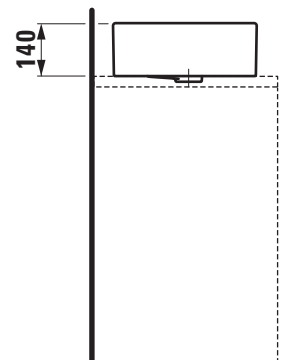
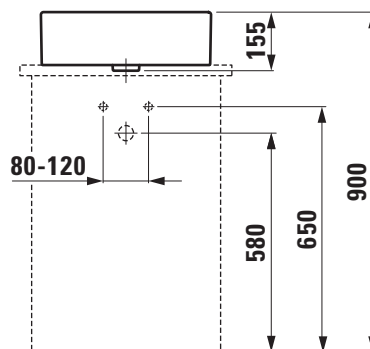
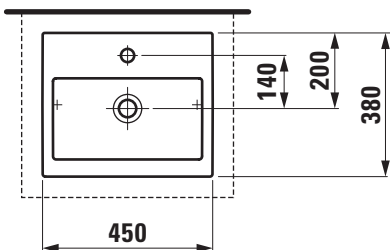
TECHNICAL DATA

Order no.	81143.0
Certified to	EN 31
Dimensions	450 x 380 mm
Inside dimensions of the basin	395 x 215 mm
Specification	Charge 104 – 1 centre tap hole
Special specification	Charge 109 – without tap hole
Weight	15,6 kg
Mounting acc. incl.	Template, order no. 89783.9 Fixing set, order no. 89194.0
Colours	see colour table

SPECIFICATION TEXT

Washbasin bowl Laufen-LIVING CITY, sanitary ceramic
EN 31
dimensions 450 x 380 mm, angular
1 centre tap hole
glazed back undersurface ground
Special feature: overflow channel glazed
Further options / accessories: without tap holes, 1 tap hole without overflow, without tap holes and overflow, furniture
Order no. 81143.0

TECHNICAL DRAWINGS / S 1 : 20





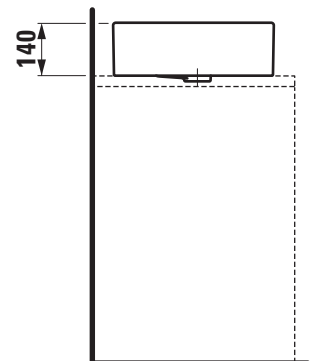
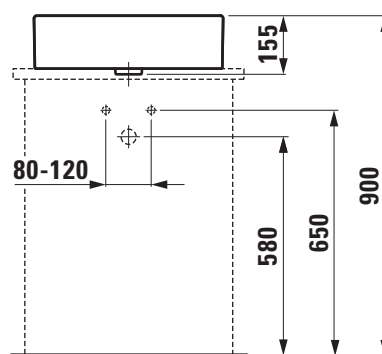
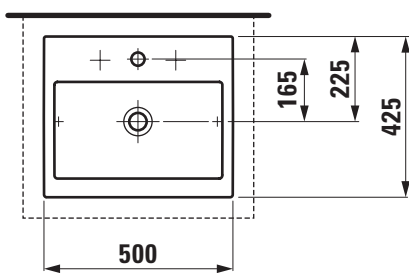
TECHNICAL DATA

Order no.	81143.1
Certified to	EN 31
Dimensions	500 x 425 mm
Inside dimensions of the basin	445 x 255 mm
Specification	Charge 104 – 1 centre tap hole
Special specification	Charge 108 – 3 tap holes Charge 109 – without tap hole Charge 136 – 3 tap holes, distance 8 inches
Weight	15,6 kg
Mounting acc. incl.	Template, order no. 89788.0 Fixing set, order no. 89194.0
Colours	see colour table

SPECIFICATION TEXT

Washbasin bowl Laufen-LIVING CITY, sanitary ceramic EN 31
 dimensions 500 x 425 mm, angular
 1 centre tap hole
 glazed back undersurface ground
 Special feature: overflow channel glazed
 Further options / accessories: 3 tap holes, without tap holes, 1 tap hole without overflow, without tap holes and overflow, 3 tap holes distance 8 inches, furniture
 Order no. 81143.1

TECHNICAL DRAWINGS / S 1 : 20





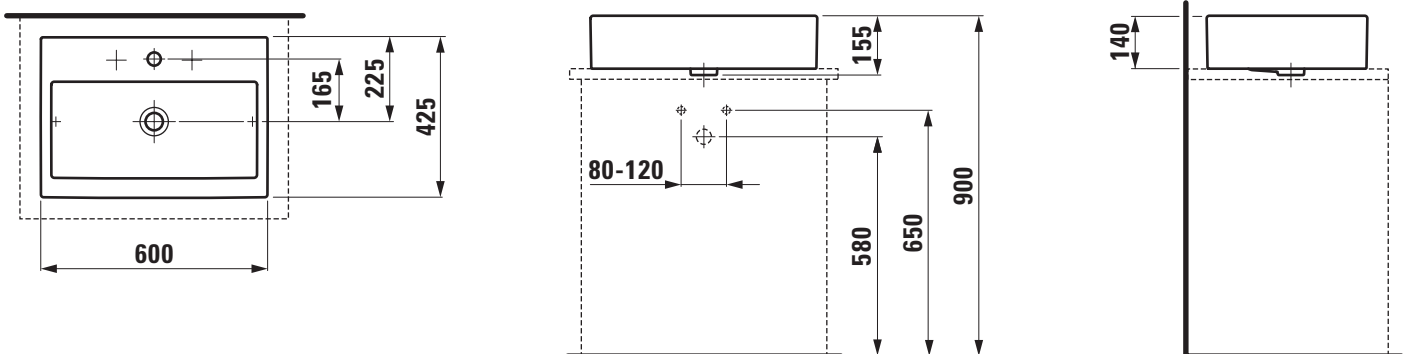
TECHNICAL DATA

Order no.	81143.2
Certified to	EN 31
Dimensions	600 x 425 mm
Inside dimensions of the basin	550 x 260 mm
Specification	Charge 104 – 1 centre tap hole
Special specification	Charge 108 – 3 tap holes Charge 109 – without tap hole Charge 136 – 3 tap holes, distance 8 inches
Weight	17,0 kg
Mounting acc. incl.	Template, order no. 89788.1 Fixing set, order no. 89194.0
Colours	see colour table

SPECIFICATION TEXT

Washbasin bowl Laufen-LIVING CITY, sanitary ceramic EN 31
 dimensions 600 x 425 mm, angular
 1 centre tap hole
 glazed back undersurface ground
 Special feature: overflow channel glazed
 Further options / accessories: 3 tap holes, without tap holes, 1 tap hole without overflow, without tap holes and overflow, 3 tap holes distance 8 inches, furniture
 Order no. 81143.2

TECHNICAL DRAWINGS / S 1 : 20





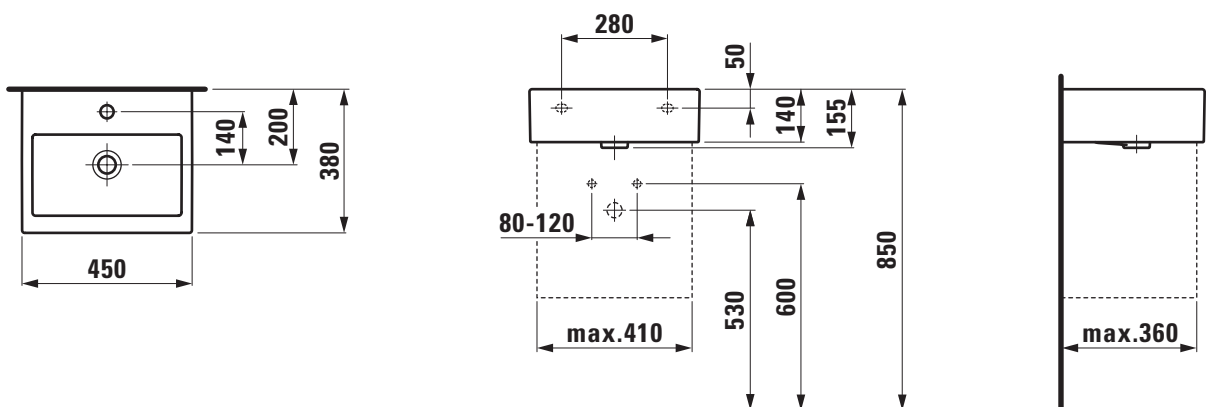
TECHNICAL DATA

Order no.	81543.2
Certified to	EN 31
Dimensions	450 x 380 mm
Inside dimensions of the basin	395 x 215 mm
Specification	Charge 104 – 1 centre tap hole
Special specification	Charge 109 – without tap hole
Weight	12,0 kg
Mounting acc. excl.	Mounting set M10 x 140 mm, order no. 89988.2
Colours	see colour table

SPECIFICATION TEXT

Small washbasin Laufen-LIVING CITY, sanitary ceramic
 EN 31
 dimensions 450 x 380 mm, angular
 1 centre tap hole
 Special feature: overflow channel glazed
 Further options / accessories: without tap holes, 1 tap hole without overflow, without tap holes and overflow,
 furniture
 Order no. 81543.2

TECHNICAL DRAWINGS / S 1 : 20



Small washbasin undersurface ground

81543.3



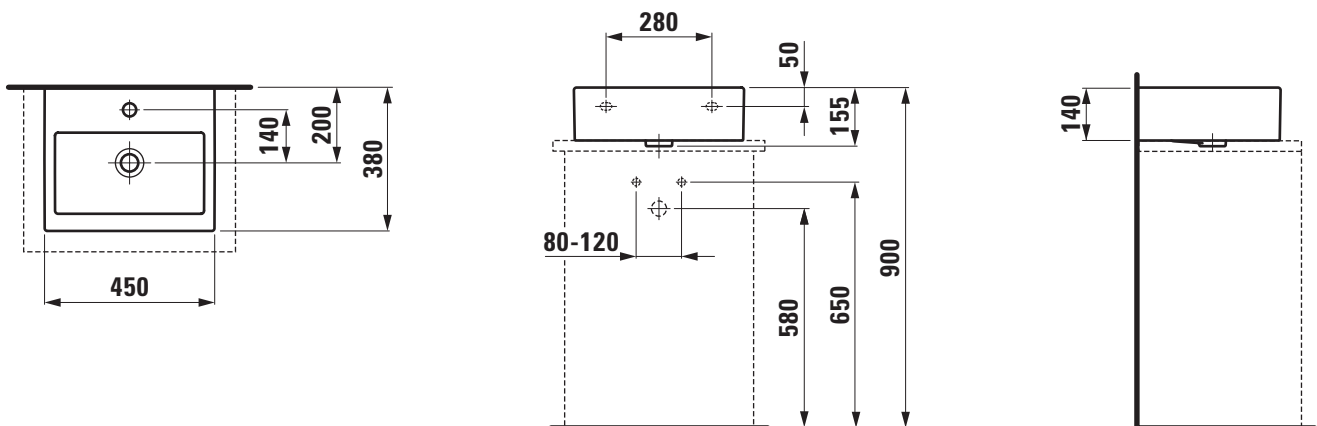
TECHNICAL DATA

Order no.	81543.3
Certified to	EN 31
Dimensions	450 x 380 mm
Inside dimensions of the basin	395 x 215 mm
Specification	Always to be fixed to the wall. Undersurface ground Charge 104 – 1 centre tap hole
Special specification	Charge 109 – without tap hole
Weight	12,0 kg
Mounting acc. incl.	Template, order no. 89784.0 Fixing set, order no. 89194.0
Mounting acc. excl.	Mounting set M10 x 140 mm, order no. 89988.2
Colours	see colour table

SPECIFICATION TEXT

Small washbasin undersurface ground Laufen-LIVING CITY, sanitary ceramic
EN 31
dimensions 450 x 380 mm, angular
1 centre tap hole
Special feature: overflow channel glazed
Further options / accessories: without tap holes, 1 tap hole without overflow, without tap holes and overflow, furniture
Order no. 81543.3

TECHNICAL DRAWINGS / S 1 : 20



SET INO
Countertop basin
81030.2



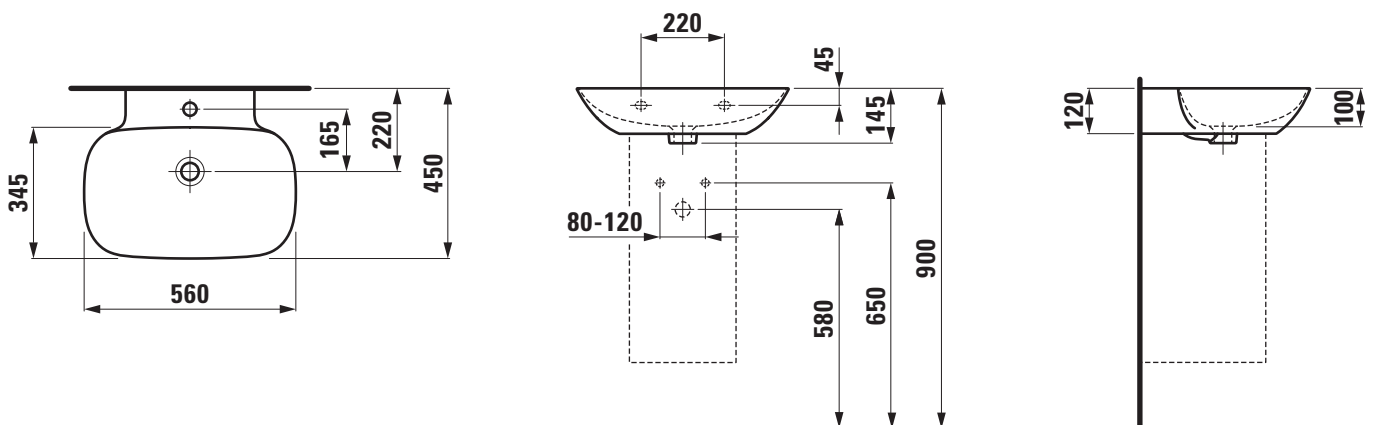
TECHNICAL DATA

Order no.	81030.2
Certified to	EN 31
Dimensions	560 x 450 mm
Inside dimensions of the basin	548 x 340 mm
Specification	Charge 104 – 1 centre tap hole
Special specification	Charge 109 – without tap holes
Weight	9,0 kg
Mounting acc. excl.	Mounting set M10 x 140 mm, order no. 89988.2
Colours	see colour table

SPECIFICATION TEXT

Countertop basin Laufen INO, SaphirKeramik
 EN 31
 dimensions 560 x 450 mm
 1 centre tap hole
 Special feature: overflow channel glazed
 Further options / accessories: Surface refinement LCC (only white),
 without tap holes, bathtubs, furniture
 Order no. 81030.2

TECHNICAL DRAWINGS / S 1 : 20





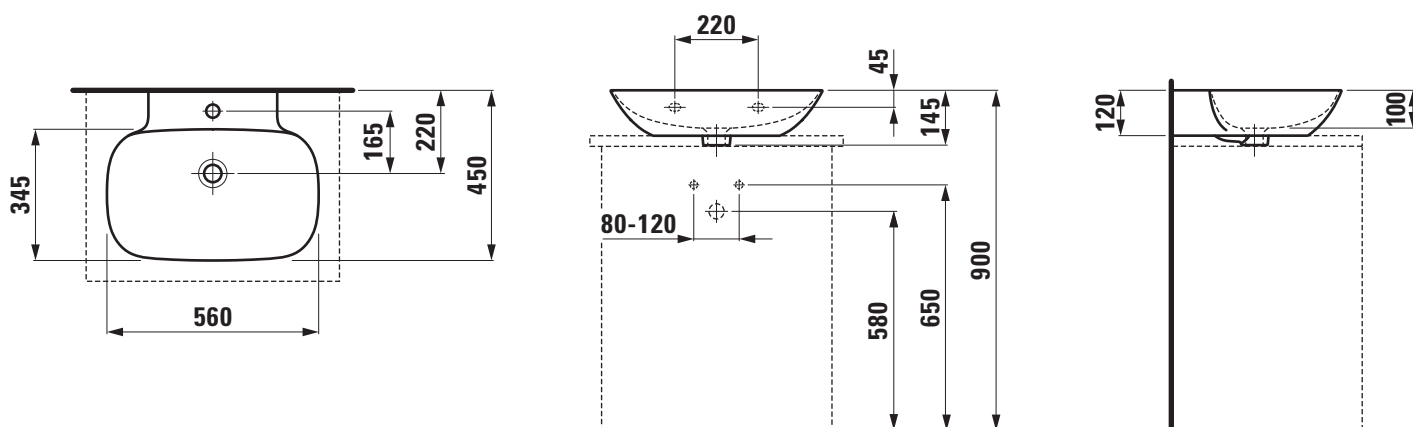
TECHNICAL DATA

Order no.	81630.2
Certified to	EN 31
Dimensions	560 x 450 mm
Inside dimensions of the basin	548 x 340 mm
Specification	Charge 104 – 1 centre tap hole
Special specification	Charge 109 – without tap holes
Weight	9,3 kg
Mounting acc. incl.	Template, order no. 89630.2
Mounting acc. excl.	Mounting set M10 x 140 mm, order no. 89988.2
Colours	see colour table

SPECIFICATION TEXT

Washbasin undersurface ground Laufen INO, SaphirKeramik EN 31
 dimensions 560 x 450 mm
 1 centre tap hole
 Special feature: overflow channel glazed
 Further options / accessories: Surface refinement LCC (only white), without tap holes, bathtubs, furniture
 Order no. 81630.2

TECHNICAL DRAWINGS / S 1 : 20





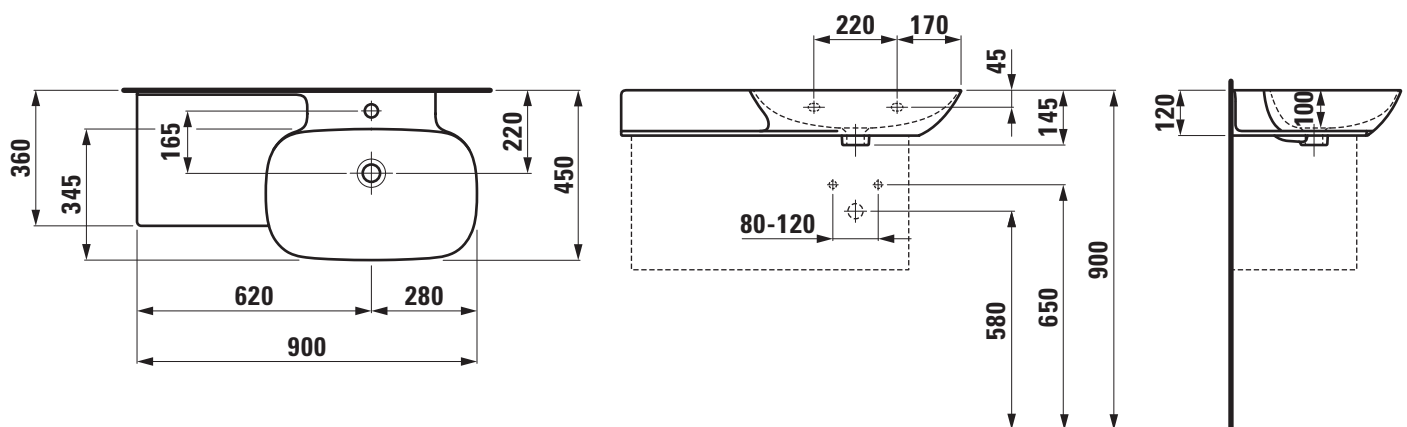
TECHNICAL DATA

Order no.	81330.1
Certified to	EN 31
Dimensions	900 x 360/450mm
Inside dimensions of the basin	548 x 340 mm
Specification	Charge 104 – 1 centre tap hole
Special specification	Charge 109 – without tap holes
Weight	14,5 kg
Mounting acc. excl.	Mounting set M10 x 140 mm, order no. 89988.2
Colours	see colour table

SPECIFICATION TEXT

Countertop basin Laufen INO, SaphirKeramik EN 31
 dimensions 900 x 360/450 mm, asymmetric basin right, 1 centre tap hole
 Special feature: overflow channel glazed
 Further options / accessories: Surface refinement LCC (only white), without tap holes, bathtubs, furniture
 Order no. 81330.1

TECHNICAL DRAWINGS / S 1 : 20





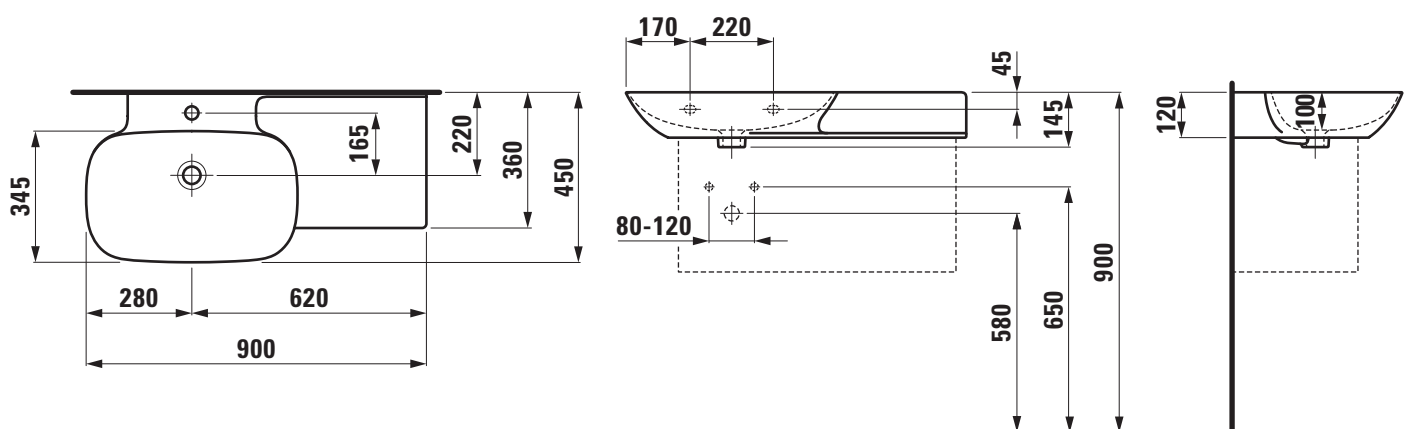
TECHNICAL DATA

Order no.	81330.2
Certified to	EN 31
Dimensions	900 x 360/450 mm
Inside dimensions of the basin	548 x 340 mm
Specification	Charge 104 – 1 centre tap hole
Special specification	Charge 109 – without tap holes
Weight	14,5 kg
Mounting acc. excl.	Mounting set M10 x 140 mm, order no. 89988.2
Colours	see colour table

SPECIFICATION TEXT

Countertop basin Laufen INO, SaphirKeramik EN 31
 dimensions 900 x 360/450 mm, asymmetric basin left, 1 centre tap hole
 Special feature: overflow channel glazed
 Further options / accessories: Surface refinement LCC (only white), without tap holes, bathtubs, furniture
 Order no. 81330.2

TECHNICAL DRAWINGS / S 1 : 20





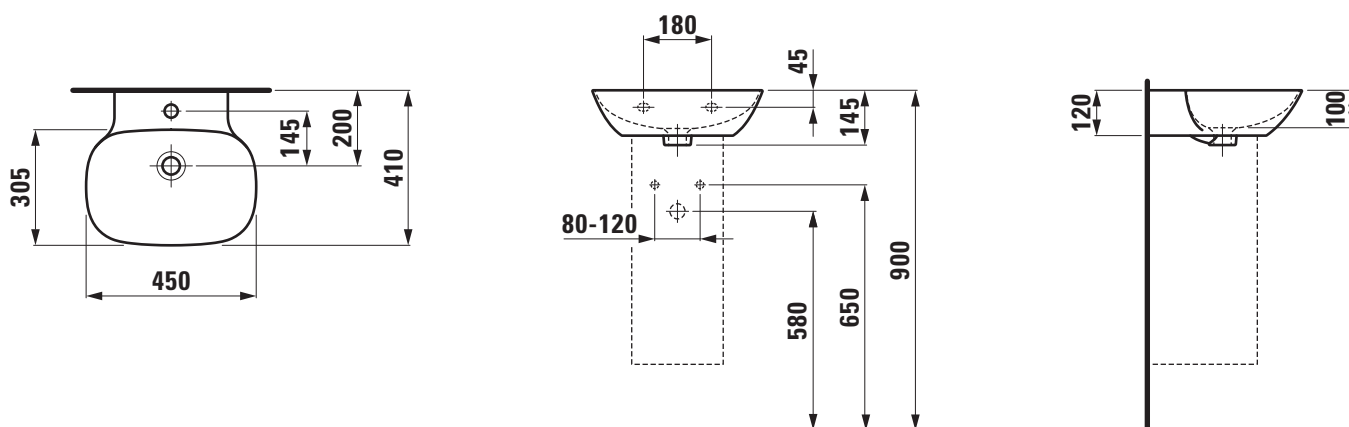
TECHNICAL DATA

Order no.	81530.1
Certified to	EN 31
Dimensions	450 x 410 mm
Inside dimensions of the basin	438 x 300 mm
Specification	Charge 104 – 1 centre tap hole
Special specification	Charge 109 – without tap holes
Weight	6,5 kg
Mounting acc. excl.	Mounting set M10 x 140 mm, order no. 89988.2
Colours	see colour table

SPECIFICATION TEXT

Countertop small washbasin Laufen INO, SaphirKeramik EN 31
 dimensions 450 x 410 mm
 1 centre tap hole
 Special feature: overflow channel glazed
 Further options / accessories: Surface refinement LCC (only white), without tap holes, bathtubs, furniture
 Order no. 81530.1

TECHNICAL DRAWINGS / S 1 : 20



Small washbasin undersurface ground

81630.0



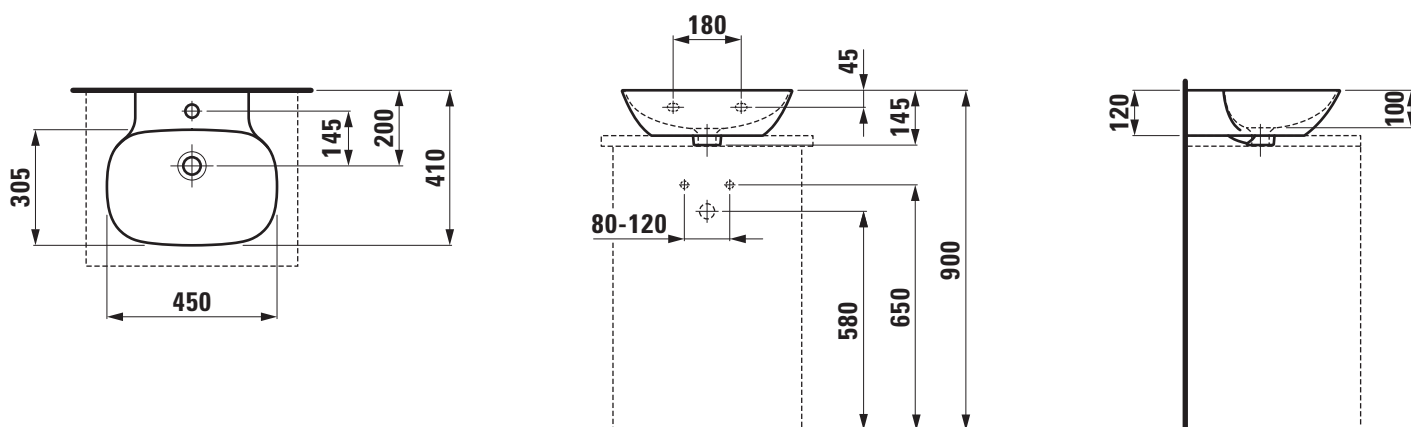
TECHNICAL DATA

Order no.	81630.0
Certified to	EN 31
Dimensions	450 x 410 mm
Inside dimensions of the basin	438 x 300 mm
Specification	Charge 104 – 1 centre tap hole
Special specification	Charge 109 – without tap holes
Weight	7,3 kg
Mounting acc. incl.	Template, order no. 89630.0
Mounting acc. excl.	Mounting set M10 x 140 mm, order no. 89988.2
Colours	see colour table

SPECIFICATION TEXT

Small washbasin undersurface ground Laufen INO, SaphirKeramik EN 31
 dimensions 450 x 410 mm
 1 centre tap hole
 Special feature: overflow channel glazed
 Further options / accessories: Surface refinement LCC (only white), without tap holes, bathtubs, furniture
 Order no. 81630.0

TECHNICAL DRAWINGS / S 1 : 20



Drop in basin undersurface ground

81730.1



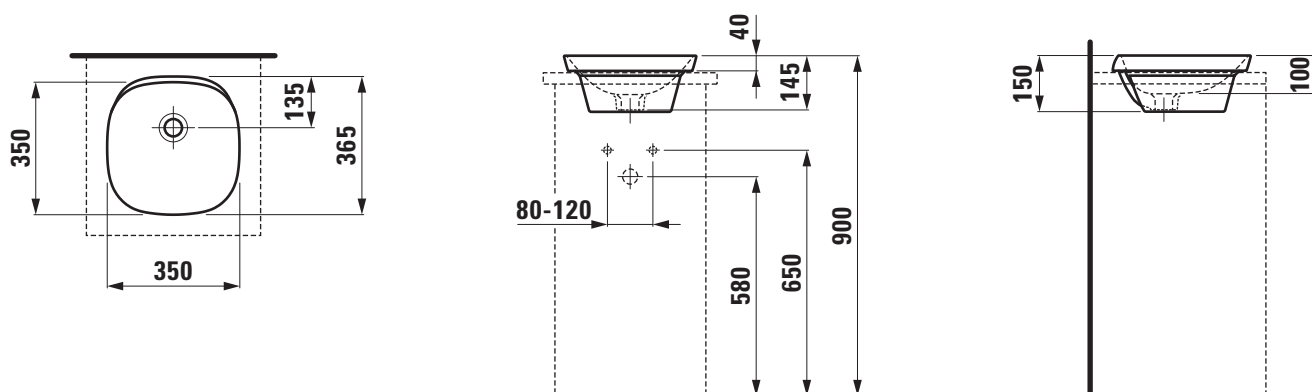
TECHNICAL DATA

Order no.	81730.1
Certified to	EN 31
Dimensions	350 x 365 mm
Specification	Charge 109 – without tap holes, with overflow
Weight	5,2 kg
Mounting acc. incl.	Template, order no. 89630.5
Mounting acc. excl.	Silicon caoutchouc Siphon DN 32 chrome, order no. 89394.7
Colours	see colour table

SPECIFICATION TEXT

Drop in basin undersurface ground Laufen INO, SaphirKeramik EN 31
 dimensions 350 x 365 mm, angular
 without tap hole
 Special feature: overflow channel glazed
 Further options / accessories: Surface refinement LCC (only white),
 bathtubs, furniture
 Order no. 81730.1

TECHNICAL DRAWINGS / S 1 : 20





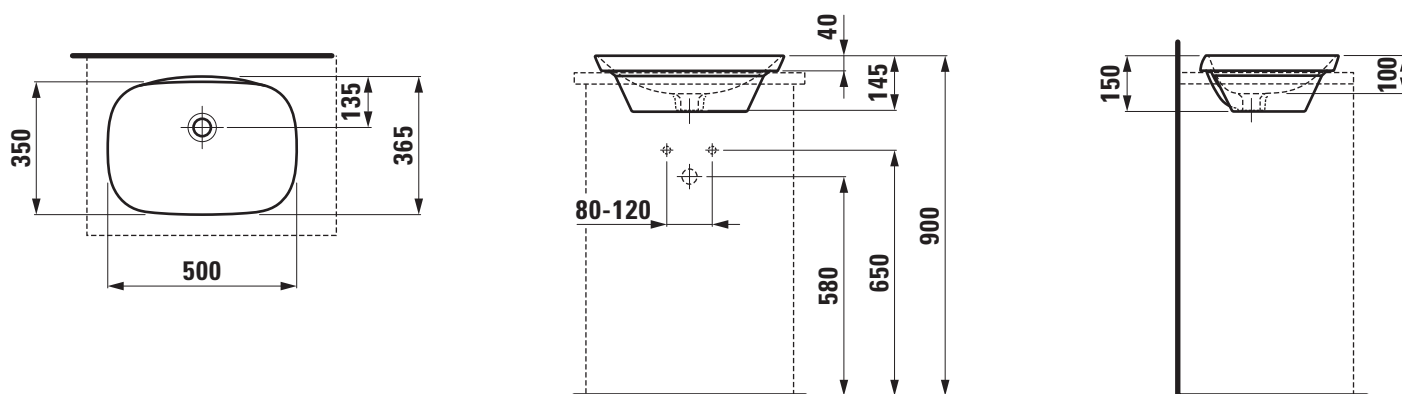
TECHNICAL DATA

Order no.	81730.2
Certified to	EN 31
Dimensions	500 x 365 mm
Inside dimensions of the basin	488 x 336 mm
Specification	Charge 109 – without tap holes, with overflow
Weight	7,0 kg
Mounting acc. incl.	Template, order no. 89630.6
Mounting acc. excl.	Silicon caoutchouc Siphon DN 32 chrome, order no. 89394.7
Colours	see colour table

SPECIFICATION TEXT

Drop in basin undersurface ground Laufen INO, SaphirKeramik EN 31
 dimensions 500 x 365 mm, angular
 without tap hole
 Special feature: overflow channel glazed
 Further options / accessories: Surface refinement LCC (only white),
 bathtubs, furniture
 Order no. 81730.2

TECHNICAL DRAWINGS / S 1 : 20





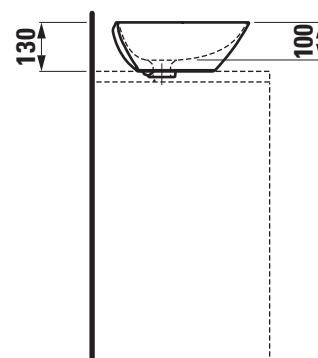
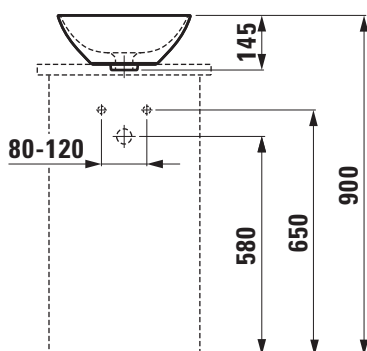
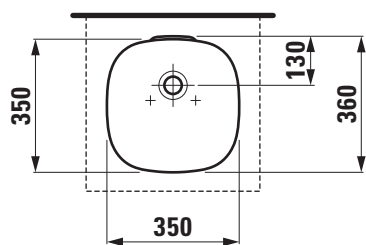
TECHNICAL DATA

Order no.	81230.0
Certified to	EN 31
Dimensions	350 x 360 mm
Inside dimensions of the basin	336 x 336 mm
Specification	Charge 109 – without tap holes, with overflow
Weight	4,5 kg
Mounting acc. incl.	Template, order no. 89630.3 Fixing set, order no. 89496.1
Mounting acc. excl.	Siphon DN 32 chrome, order no. 89394.7
Colours	see colour table

SPECIFICATION TEXT

Washbasin bowl Laufen INO, SaphirKeramik
 EN 31
 dimensions 350 x 360 mm
 without tap hole, with overflow
 Further options / accessories: Surface refinement LCC (only white),
 furniture
 Order no. 81230.0

TECHNICAL DRAWINGS / S 1 : 20



SET INO
Washbasin bowl
81230.2



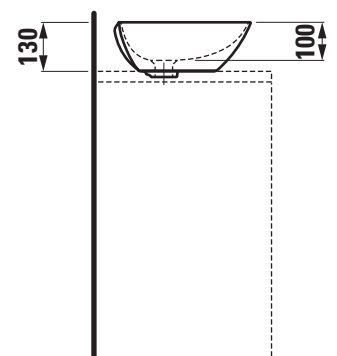
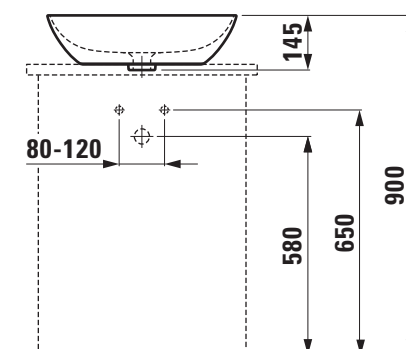
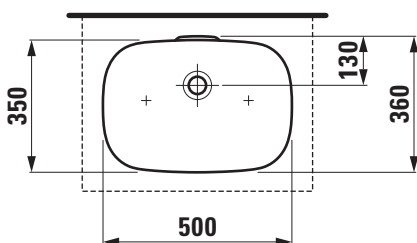
TECHNICAL DATA

Order no.	81230.2
Certified to	EN 31
Dimensions	500 x 360 mm
Inside dimensions of the basin	486 x 336 mm
Specification	Charge 109 – without tap holes, with overflow
Weight	7,0 kg
Mounting acc. incl.	Template, order no. 89630.4 Fixing set, order no. 89496.1
Mounting acc. excl.	Siphon DN 32 chrome, order no. 89394.7
Colours	see colour table

SPECIFICATION TEXT

Washbasin bowl Laufen INO, SaphirKeramik
 EN 31
 dimensions 500 x 360 mm
 without tap hole, with overflow
 Further options / accessories: Surface refinement LCC (only white),
 furniture
 Order no. 81230.2

TECHNICAL DRAWINGS / S 1 : 20



SET PALOMBA COLLECTION / INO

Floorstanding WC combination rimless

82480.1



TECHNICAL DATA

Order no.	82480.1
Certified to	EN 997, EN 33
Specification	rimless Washdown for min. 5/3-l-flush Charge 000 – 2 fixing holes, without lateral holes
Special specification	Charge 231 – 2 fixing holes, with lateral holes
Outlet	horizontal VARIO, vertical 70 - 305 mm
Weight	44,0 kg
Accessories excl.	Charge 000 – Cistern, order no. 82880.1, 82880.2 Charge 231 – Cistern, order no. 82880.3, 82880.5 WC seat and cover with automatic lowering system, order no. 89180.2
Mounting acc. incl.	Device for fixing, order no. 89175.7

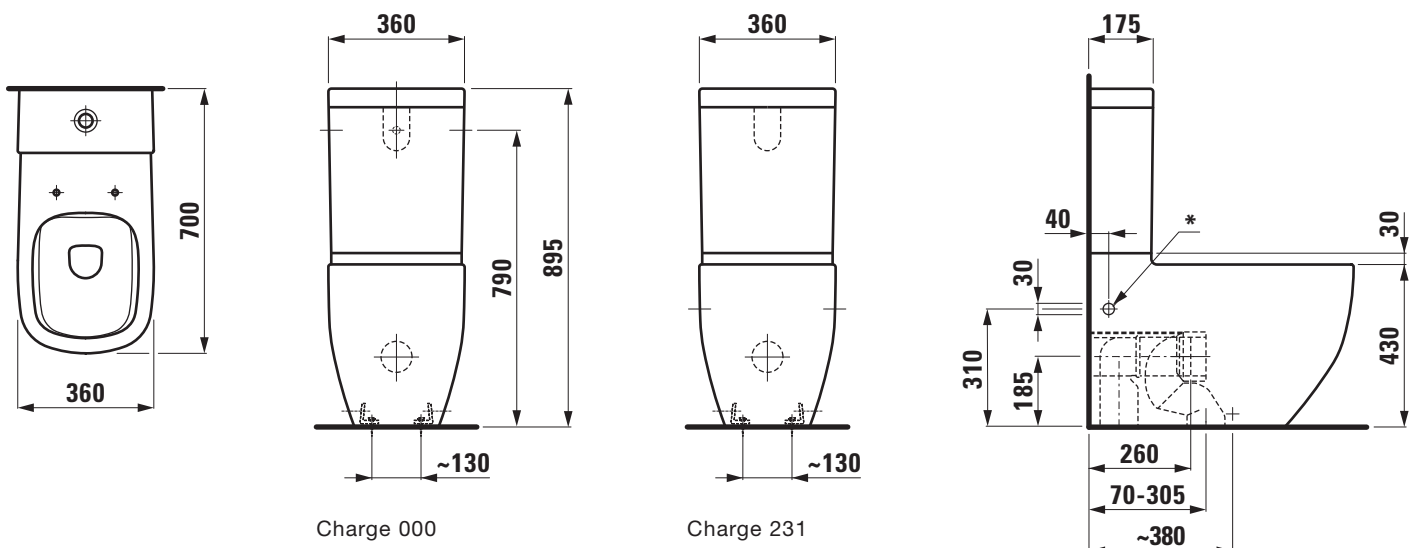
Mounting acc. excl. for VARIO outlet 70 - 205 mm use LAUFEN-connection set, order no. 89009.2
for VARIO outlet 220 - 305 mm use only LAUFEN-connection set, order no. 89902.5

Colours see colour table

SPECIFICATION TEXT

Floorstanding WC pan rimless washdown
Laufen-PALOMBA COLLECTION / INO, sanitary ceramic, for cistern EN 997, EN 33, min. 5/3-l-flush, dimensions 360 x 700 x 460 mm
outlet horizontal, VARIO vertical 70 - 305 mm
back to wall, concealed trap, concealed fixation
Special feature: rimless, concealed surfaces directing water are fully glazed throughout, closed water rim, vacuum checked
Further options / accessories: Surface refinement LCC (only white), lateral holes, cistern 82880.1, 82880.2, 82880.3, 82880.5 WC seat and cover with automatic lowering 89180.2
Order no. 82480.1

TECHNICAL DRAWINGS / S 1 : 20





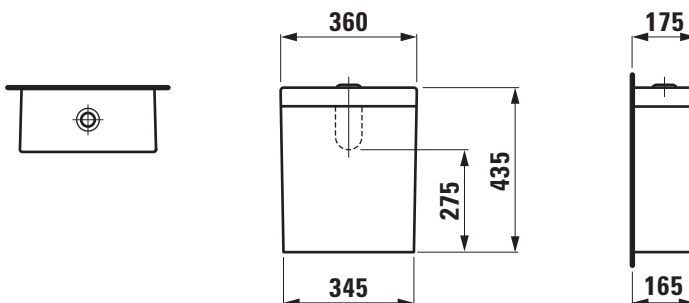
TECHNICAL DATA

Order no.	82880.1
Certified to	EN 14055
matching for	Floorstanding WC pan order no. 82480.1 / Charge 000
Specification	Flushing mechanism Dual-Flush With water condensation insulation: Charge 871 – 5/3-l (6/3-l-flush, 4,5/3-l-flush) Without water condensation insulation: Charge 874 – 5/3-l (6/3-l-flush, 4,5/3-l-flush)
Water inlet	rear, 1/2" brass
Weight	14,0 kg
Mounting acc. incl.	Fastening kit Angle valve for rear water inlet Water inlet hose
Colours	see colour table

SPECIFICATION TEXT

Cistern Laufen-PALOMBA COLLECTION / INO, sanitary ceramic EN 14055, dimensions 360 x 175 x 435 mm
Dual-Flush 5/3-l (6/3-l-flush, 4,5/3-l-flush)
water inlet rear, 1/2" brass
matching floorstanding WC pan, order no. 82480.1/option 000
Special feature: with or without water condensation insulation
Order no. 82880.1

TECHNICAL DRAWINGS / S 1 : 20





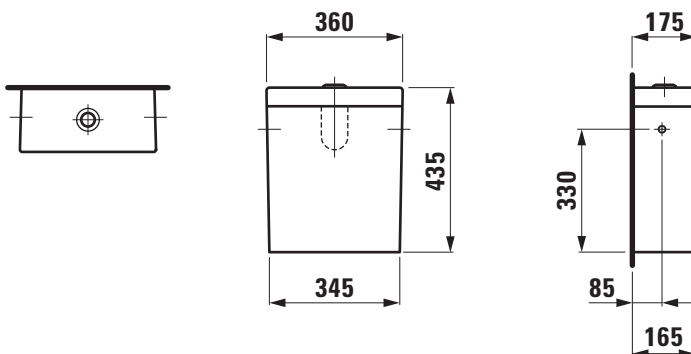
TECHNICAL DATA

Order no.	82880.2
Certified to	EN 14055
matching for	Floorstanding WC pan order no. 82480.1 / Charge 000
Specification	Flushing mechanism Dual-Flush With water condensation insulation: Charge 872 – 5/3-I (6/3-I-flush, 4,5/3-I-flush) Without water condensation insulation: Charge 876 – 5/3-I (6/3-I-flush, 4,5/3-I-flush)
Water inlet	side left, side right, 3/8" brass
Weight	14,0 kg
Mounting acc. incl.	Fastening kit
Mounting acc. excl.	Angle valve for water inlet Water inlet hose
Colours	see colour table

SPECIFICATION TEXT

Cistern Laufen-PALOMBA COLLECTION / INO, sanitary ceramic EN 14055, dimensions 360 x 175 x 435 mm
Dual-Flush 5/3-I (6/3-I-flush, 4,5/3-I-flush)
water inlet side left, side right, 3/8" brass
matching floorstanding WC pan, order no. 82480.1/option 000
Special feature: water condensation insulation
Order no. 82880.2

TECHNICAL DRAWINGS / S 1 : 20





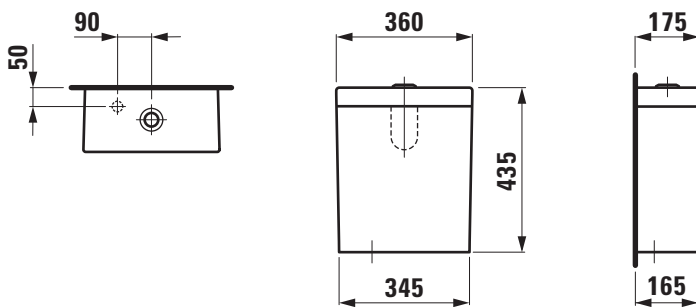
TECHNICAL DATA

Order no.	82880.3
matching for	Floorstanding WC pan order no. 82480.1 / Charge 231
Specification	Flushing mechanism Dual-Flush Without water condensation insulation Charge 873 – 5/3-l (6/3-l-flush, 4,5/3-l-flush)
Water inlet	bottom left, 1/2" plastic
Weight	14,0 kg
Mounting acc. incl.	Fastening kit
Mounting acc. excl.	Angle valve for water inlet Water inlet hose
Colours	see colour table

SPECIFICATION TEXT

Cistern Laufen-PALOMBA COLLECTION / INO, sanitary ceramic
dimensions 360 x 175 x 435 mm
Dual-Flush 5/3-l (6/3-l-flush, 4,5/3-l-flush)
water inlet bottom left, 1/2" plastic
matching floorstanding WC pan, order no. 82480.1/option 231
Special feature: without water condensation insulation
Order no. 82880.3

TECHNICAL DRAWINGS / S 1 : 20





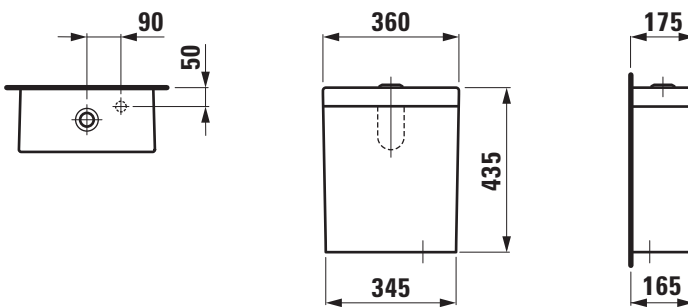
TECHNICAL DATA

Order no.	82880.5
matching for	Floorstanding WC pan order no. 82480.1 / Charge 231
Specification	Flushing mechanism Dual-Flush Without water condensation insulation Charge 873 – 5/3-l (6/3-l-flush, 4,5/3-l-flush)
Water inlet	bottom right, 1/2" plastic
Weight	14,0 kg
Mounting acc. incl.	Fastening kit
Mounting acc. excl.	Angle valve for water inlet Water inlet hose
Colours	see colour table

SPECIFICATION TEXT

Cistern Laufen-PALOMBA COLLECTION / INO, sanitary ceramic
dimensions 360 x 175 x 435 mm
Dual-Flush 5/3-l (6/3-l-flush, 4,5/3-l-flush)
water inlet bottom right, 1/2" plastic
matching floorstanding WC pan, order no. 82480.1/option 231
Special feature: without water condensation insulation
Order no. 82880.5

TECHNICAL DRAWINGS / S 1 : 20



SET PALOMBA COLLECTION / INO

Floorstanding cistern Universal for floorstanding WC pan 82866.0



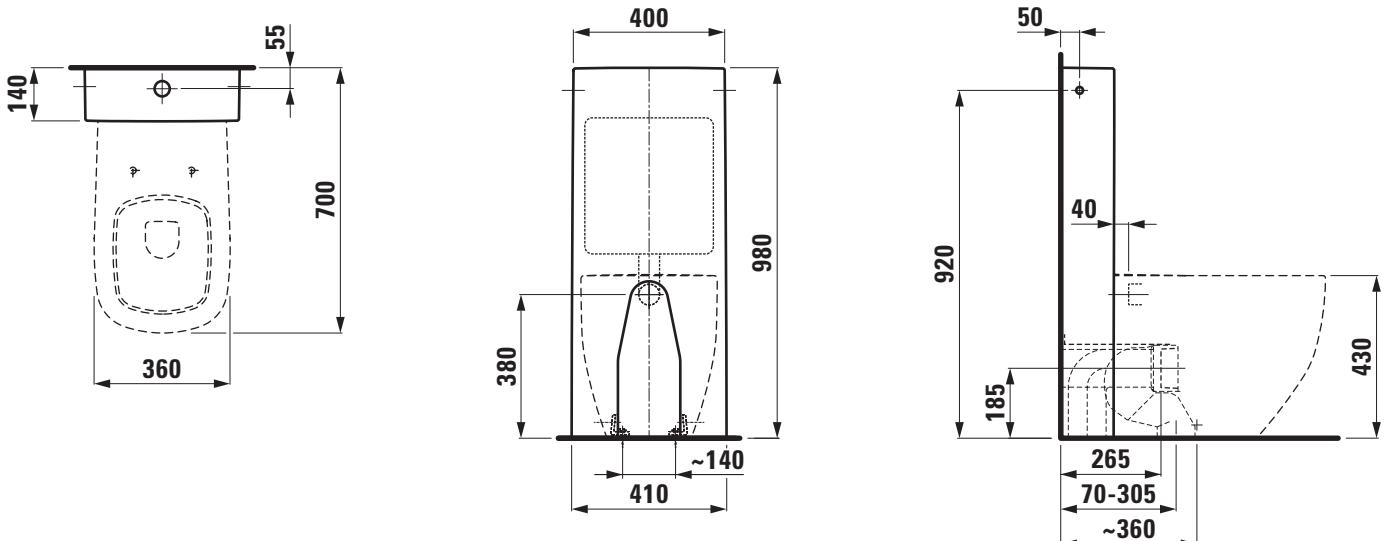
TECHNICAL DATA

Order no.	82866.0
Certified to	EN 14055
matching for	Floorstanding WC pan, order no. 82380.6
Specification	floorstanding Flushing mechanism Dual-Flush water condensation insulation Charge 882 – 6/3-l (5/3-l-flush, 4,5/3-l-flush)
Water inlet	side left, side right, 3/8" brass
Weight	21,5 kg
Mounting acc. incl.	Fastening kit
Mounting acc. excl.	for VARIO-outlet 70 - 220 mm LAUFEN-connection, order no. 89009.2 for VARIO-outlet 220 - 305 mm only LAUFEN-connection, order no. 89902.5 Angle valve for water inlet Water inlet hose
Colours	see colour table

SPECIFICATION TEXT

Floorstanding cistern Universal Laufen-PALOMBA COLLECTION / INO, sanitary ceramic
EN 14055
dimensions 400/410 x 140 x 980 mm
Dual-Flush 6/3-l (5/3-l-flush, 4,5/3-l-flush)
water inlet side left, side right, 3/8" brass
matching floorstanding WC pan, order no. 82380.6
Special feature: water condensation insulation
Order no. 82866.0

TECHNICAL DRAWINGS / S 1 : 20



SET PALOMBA COLLECTION / INO

Floorstanding cistern Universal for floorstanding WC pan 82866.1



TECHNICAL DATA

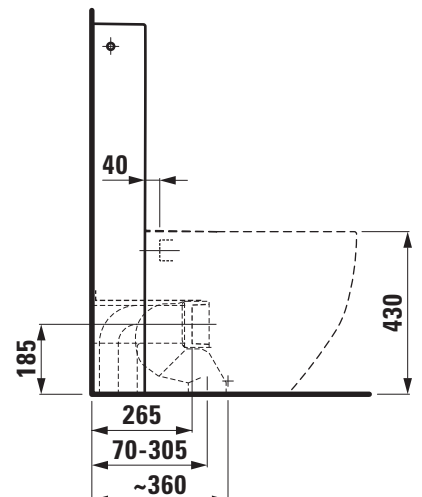
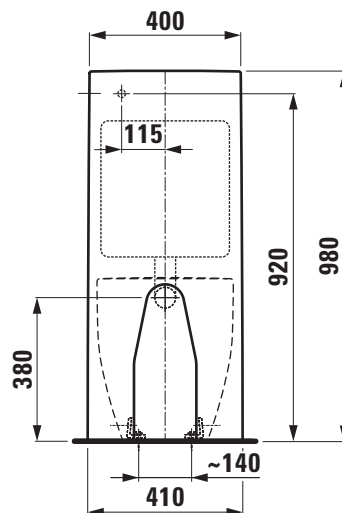
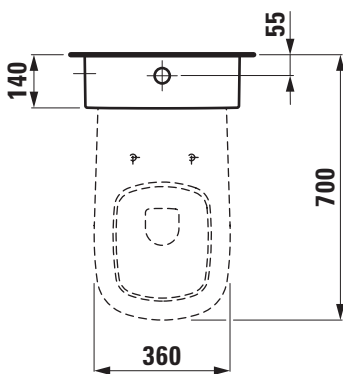
Order no.	82866.1
Certified to	EN 14055
matching for	Floorstanding WC pan, order no. 82380.6
Specification	floorstanding Flushing mechanism Dual-Flush water condensation insulation Charge 881 – 6/3-l (5/3-l-flush, 4,5/3-l-flush)
Water inlet	concealed top left rear, 1/2" brass
Weight	21,5 kg
Mounting acc. incl.	Fastening kit Angle valve for rear water inlet Water inlet hose

Mounting acc. excl.	for VARIO-outlet 70 - 220 mm LAUFEN-connection, order no. 89009.2 for VARIO-outlet 220 - 305 mm only LAUFEN-connection, order no. 89902.5
Colours	see colour table

SPECIFICATION TEXT

Floorstanding cistern Universal Laufen-PALOMBA COLLECTION / INO, sanitary ceramic
EN 14055
dimensions 400/410 x 140 x 980 mm
Dual-Flush 6/3-l (5/3-l-flush, 4,5/3-l-flush)
concealed water inlet top left rear, 1/2" brass
matching floorstanding WC pan, order no. 82380.6
Special feature: water condensation insulation
Order no. 82866.1

TECHNICAL DRAWINGS / S 1 : 20



SET PALOMBA COLLECTION / INO

Floorstanding cistern Universal for floorstanding WC pan 82866.3



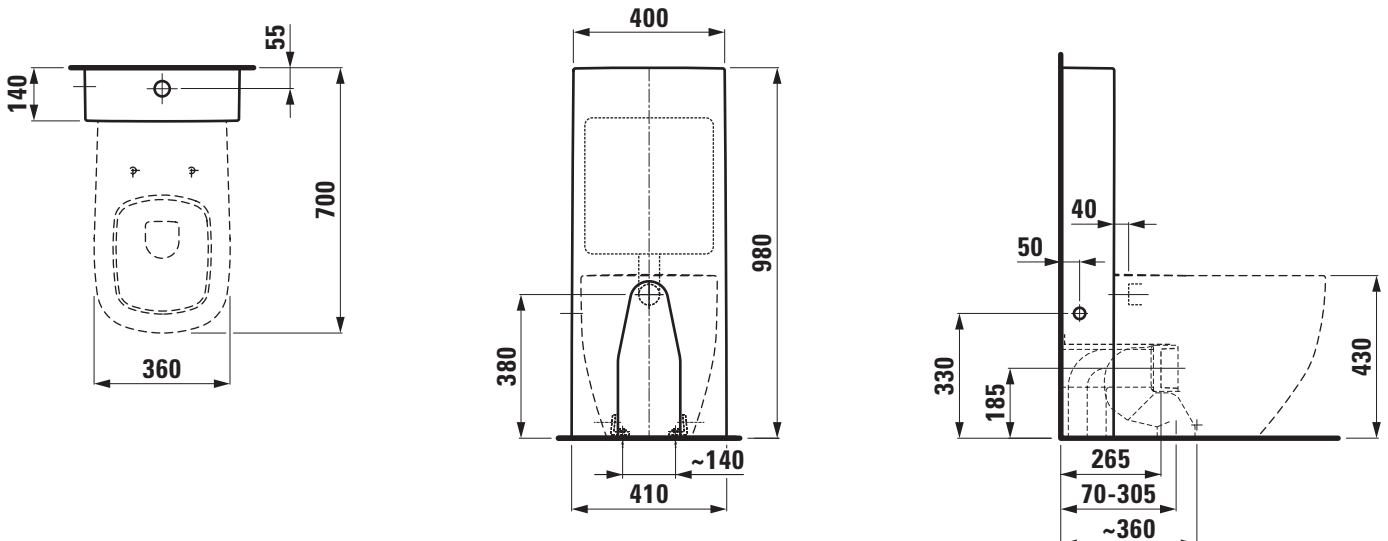
TECHNICAL DATA

Order no.	82866.3
Certified to	EN 14055
matching for	Floorstanding WC pan, order no. 82380.6
Specification	floorstanding Flushing mechanism Dual-Flush water condensation insulation Charge 883 – 6/3-l (5/3-l-flush, 4,5/3-l-flush)
Water inlet	bottom left, 1/2" plastic
Weight	21,5 kg
Mounting acc. incl.	Fastening kit
Mounting acc. excl.	for VARIO-outlet 70 - 220 mm LAUFEN-connection, order no. 89009.2 for VARIO-outlet 220 - 305 mm only LAUFEN-connection, order no. 89902.5 Angle valve for water inlet Water inlet hose
Colours	see colour table

SPECIFICATION TEXT

Floorstanding cistern Universal Laufen-PALOMBA COLLECTION / INO, sanitary ceramic
EN 14055
dimensions 400/410 x 140 x 980 mm
Dual-Flush 6/3-l (5/3-l-flush, 4,5/3-l-flush)
water inlet bottom left, 1/2" plastic
matching floorstanding WC pan, order no. 82380.6
Special feature: water condensation insulation
Order no. 82866.3

TECHNICAL DRAWINGS / S 1 : 20



SET PALOMBA COLLECTION / INO

Floorstanding cistern Universal for floorstanding WC pan 82866.4



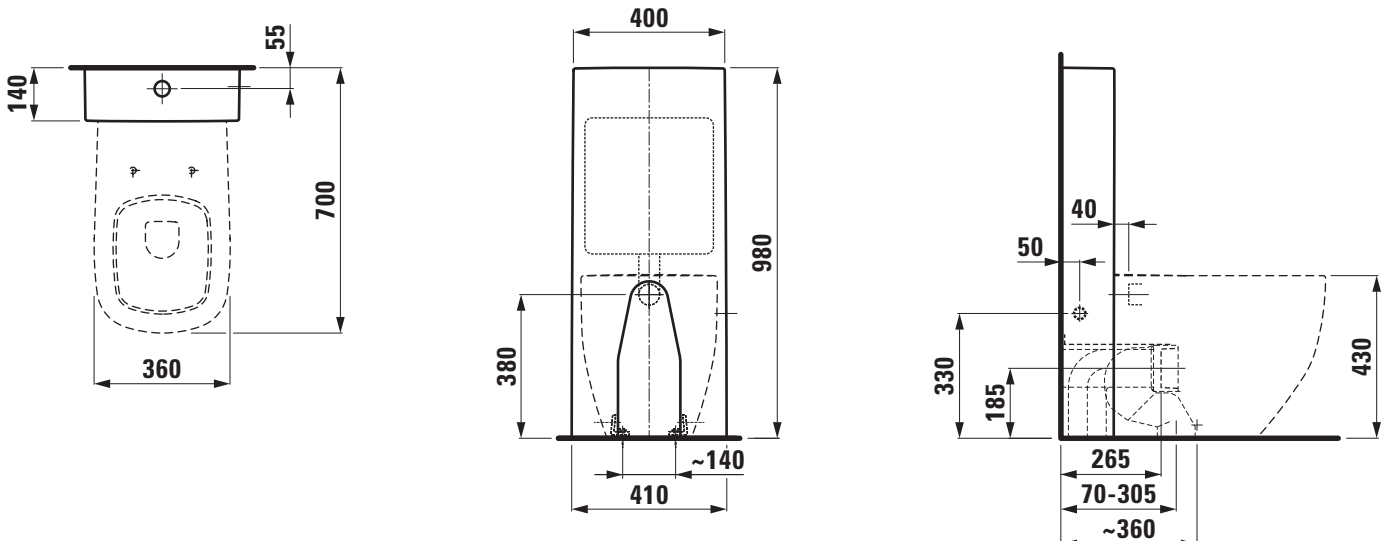
TECHNICAL DATA

Order no.	82866.4
Certified to	EN 14055
matching for	Floorstanding WC pan, order no. 82380.6
Specification	floorstanding Flushing mechanism Dual-Flush Charge 884 – 6/3-l (5/3-l-flush, 4,5/3-l-flush)
Water inlet	bottom right, 1/2" plastic
Weight	21,5 kg
Mounting acc. incl.	Fastening kit
Mounting acc. excl.	for VARIO-outlet 70 - 220 mm LAUFEN-connection, order no. 89009.2 for VARIO-outlet 220 - 305 mm only LAUFEN-connection, order no. 89902.5 Angle valve for water inlet Water inlet hose
Colours	see colour table

SPECIFICATION TEXT

Floorstanding cistern Universal Laufen-PALOMBA COLLECTION / INO, sanitary ceramic
EN 14055
dimensions 400/410 x 140 x 980 mm
Dual-Flush 6/3-l (5/3-l-flush, 4,5/3-l-flush)
water inlet bottom right, 1/2" plastic
matching floorstanding WC pan, order no. 82380.6
Order no. 82866.4

TECHNICAL DRAWINGS / S 1 : 20



Floorstanding cistern, two-part Universal for floorstanding WC pan
 82966.0



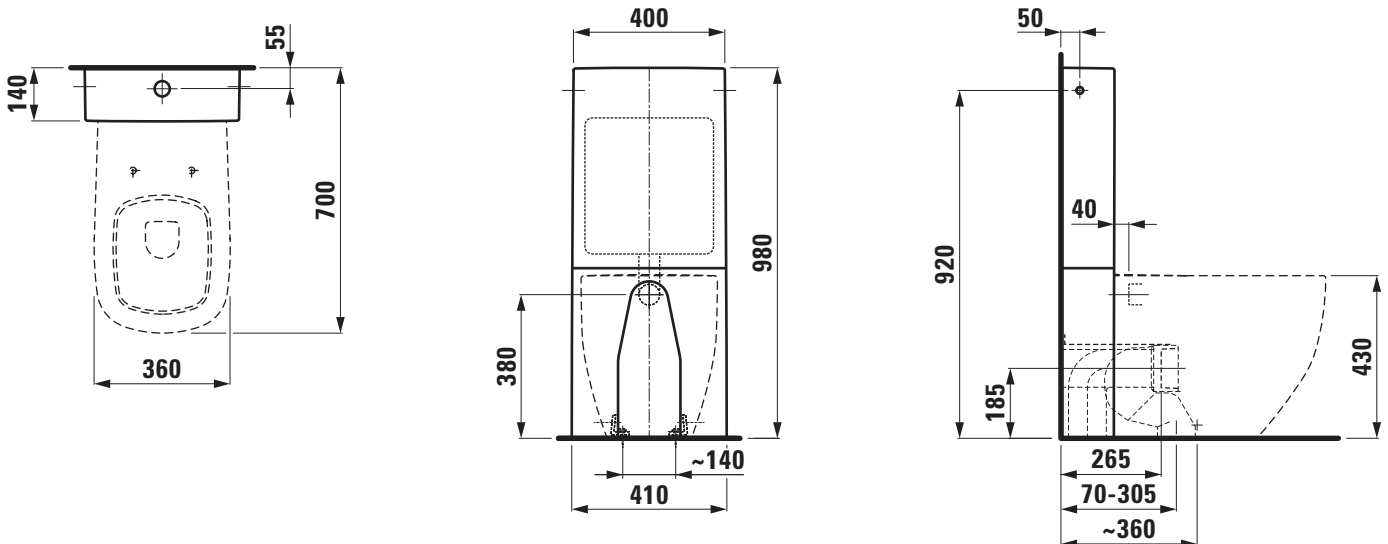
TECHNICAL DATA

Order no.	82966.0
Certified to	EN 14055
matching for	Floorstanding WC pan, order no. 82380.6
Specification	Floorstanding, consisting of two-parts Flushing mechanism Dual-Flush water condensation insulation Charge 882 – 6/3-l (5/3-l-flush, 4,5/3-l-flush)
Water inlet	side left, side right, 3/8" brass
Weight	21,0 kg
Mounting acc. incl.	Fastening kit
Mounting acc. excl.	for VARIO-outlet 70 - 220 mm LAUFEN-connection, order no. 89009.2 for VARIO-outlet 220 - 305 mm only LAUFEN-connection, order no. 89902.5 Angle valve for water inlet Water inlet hose
Colours	see colour table

SPECIFICATION TEXT

Floorstanding cistern, two-part Universal
 Laufen-PALOMBA COLLECTION / INO, sanitary ceramic
 EN 14055
 dimensions 400/410 x 140 x 980 mm
 Dual-Flush 6/3-l (5/3-l-flush, 4,5/3-l-flush)
 water inlet side left, side right, 3/8" brass
 matching floorstanding WC pan, order no. 82380.6
 Special feature: water condensation insulation
 Order no. 82966.0

TECHNICAL DRAWINGS / S 1 : 20



Floorstanding cistern, two-part Universal for floorstanding WC pan
82966.1



TECHNICAL DATA

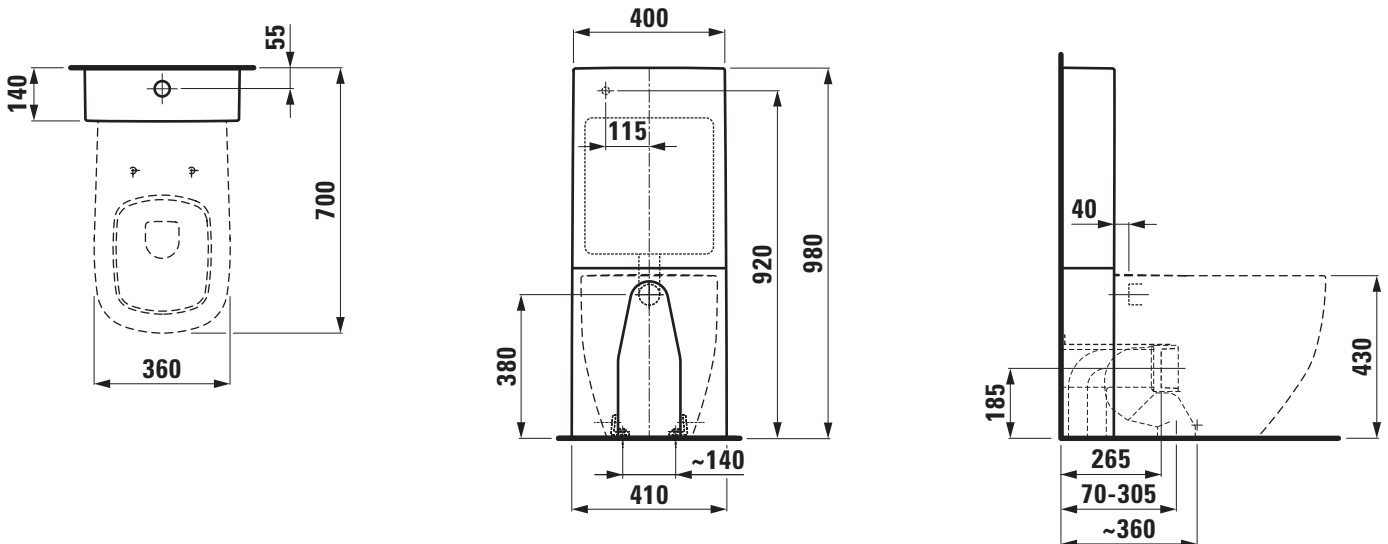
Order no.	82966.1
Certified to	EN 14055
matching for	Floorstanding WC pan, order no. 82380.6
Specification	Floorstanding, consisting of two-parts Flushing mechanism Dual-Flush water condensation insulation Charge 881 – 6/3-l (5/3-l-flush, 4,5/3-l-flush)
Water inlet	concealed top left rear, 1/2" brass
Weight	21,0 kg
Mounting acc. incl.	Fastening kit Angle valve for rear water inlet Water inlet hose

Mounting acc. excl.	for VARIO-outlet 70 - 220 mm LAUFEN-connection, order no. 89009.2 for VARIO-outlet 220 - 305 mm only LAUFEN-connection, order no. 89902.5
Colours	see colour table

SPECIFICATION TEXT

Floorstanding cistern, two-part Universal
 Laufen-PALOMBA COLLECTION / INO, sanitary ceramic
 EN 14055
 dimensions 400/410 x 140 x 980 mm
 Dual-Flush 6/3-l (5/3-l-flush, 4,5/3-l-flush)
 concealed water inlet top left rear, 1/2" brass
 matching floorstanding WC pan, order no. 82380.6
 Special feature: water condensation insulation
 Order no. 82966.1

TECHNICAL DRAWINGS / S 1 : 20



Floorstanding cistern, two-part Universal for floorstanding WC pan
 82966.3



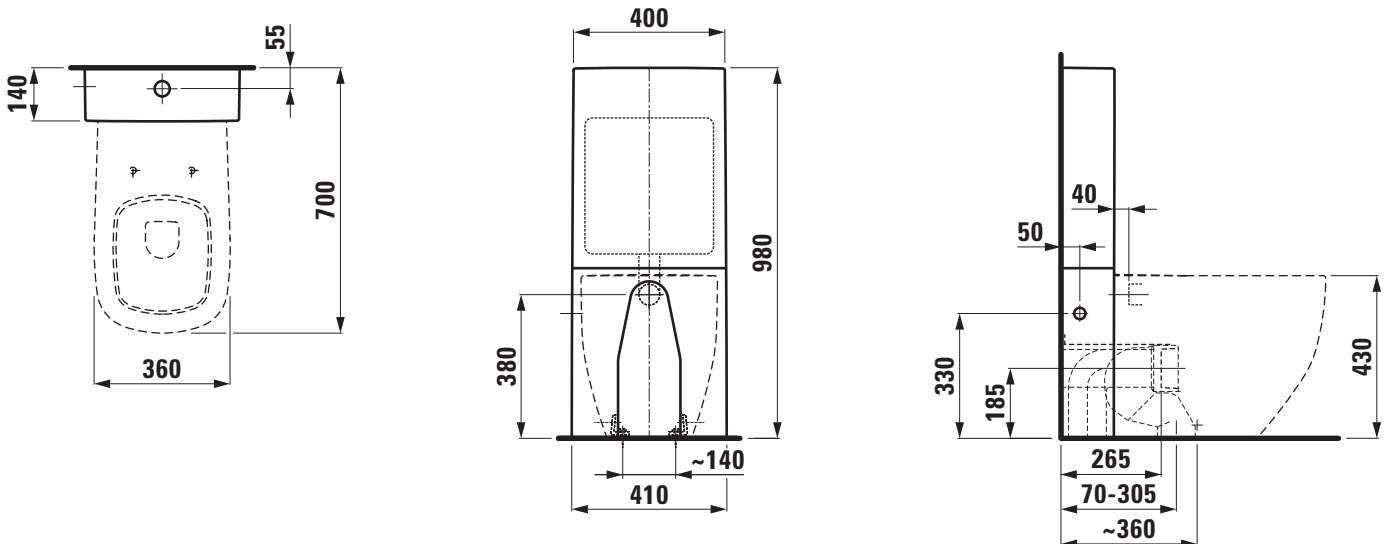
TECHNICAL DATA

Order no.	82966.3
Certified to	EN 14055
matching for	Floorstanding WC pan, order no. 82380.6
Specification	Floorstanding, consisting of two-parts Flushing mechanism Dual-Flush water condensation insulation Charge 883 – 6/3-l (5/3-l-flush, 4,5/3-l-flush)
Water inlet	bottom left, 1/2" plastic
Weight	21,0 kg
Mounting acc. incl.	Fastening kit
Mounting acc. excl.	for VARIO-outlet 70 - 220 mm LAUFEN-connection, order no. 89009.2 for VARIO-outlet 220 - 305 mm only LAUFEN-connection, order no. 89902.5 Angle valve for water inlet Water inlet hose
Colours	see colour table

SPECIFICATION TEXT

Floorstanding cistern, two-part Universal
 Laufen-PALOMBA COLLECTION / INO, sanitary ceramic
 EN 14055
 dimensions 400/410 x 140 x 980 mm
 Dual-Flush 6/3-l (5/3-l-flush, 4,5/3-l-flush)
 water inlet bottom left, 1/2" plastic
 matching floorstanding WC pan, order no. 82380.6
 Special feature: water condensation insulation
 Order no. 82966.3

TECHNICAL DRAWINGS / S 1 : 20



SET PALOMBA COLLECTION / INO

Floorstanding cistern, two-part Universal for floorstanding WC pan 82966.4



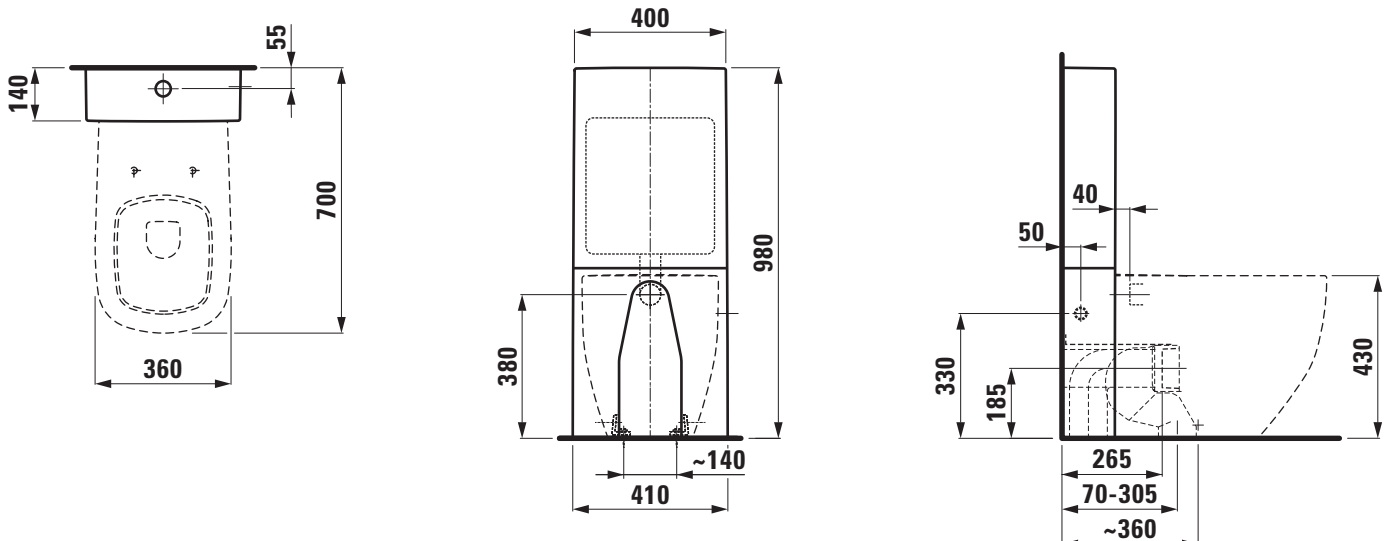
TECHNICAL DATA

Order no.	82966.4
Certified to	EN 14055
matching for	Floorstanding WC pan, order no. 82380.6
Specification	Floorstanding, consisting of two-parts Flushing mechanism Dual-Flush Charge 884 – 6/3-l (5/3-l-flush, 4,5/3-l-flush)
Water inlet	bottom right, 1/2" plastic
Weight	21,0 kg
Mounting acc. incl.	Fastening kit
Mounting acc. excl.	for VARIO-outlet 70 - 220 mm LAUFEN-connection, order no. 89009.2 for VARIO-outlet 220 - 305 mm only LAUFEN-connection, order no. 89902.5 Angle valve for water inlet Water inlet hose
Colours	see colour table

SPECIFICATION TEXT

Floorstanding cistern, two-part Universal
Laufen-PALOMBA COLLECTION / INO, sanitary ceramic
EN 14055
dimensions 400/410 x 140 x 980 mm
Dual-Flush 6/3-l (5/3-l-flush, 4,5/3-l-flush)
water inlet bottom right, 1/2" plastic
matching floorstanding WC pan, order no. 82380.6
Order no. 82966.4

TECHNICAL DRAWINGS / S 1 : 20



SET PALOMBA COLLECTION / INO

Floorstanding WC pan

82380.6



TECHNICAL DATA

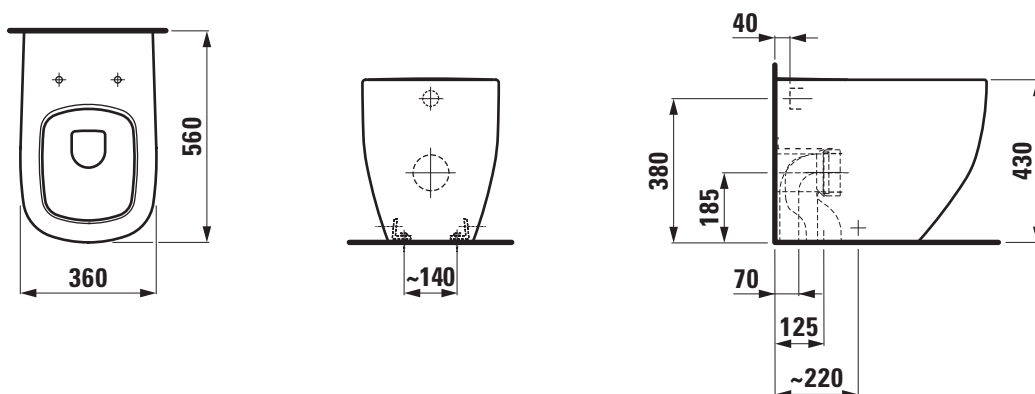
Order no.	82380.6
Certified to	EN 997, EN 33
Specification	Washdown for min. 5/3-l-flush closed water rim
Outlet	horizontal vertical 70 and 125 mm
Weight	28,8 kg
Accessories excl.	Floorstanding cistern, order no. 82866.0, 82866.1, 82866.3, 82866.4 Floorstanding cistern two-part Universal, order no. 82966.0, 82966.1, 82966.3, 82966.4 WC seat and cover with automatic lowering system, order no. 89180.2
Mounting acc. incl.	Device for fixing, order no. 89175.7

Mounting acc. excl.	for outlet vertical 70 mm LAUFEN-connection set, order no. 89009.2 for outlet vertical 125 mm LAUFEN-connection set, order no. 89902.7
Colours	see colour table

SPECIFICATION TEXT

Floorstanding WC pan washdown Laufen-PALOMBA COLLECTION / INO sanitary ceramic, for concealed cistern
EN 997, EN 33, min. 5/3-l-flush, dimensions 360 x 560 x 430 mm
outlet horizontal, vertical 70 and 125 mm
back to wall, concealed trap, concealed fixation
Special feature: concealed surfaces directing water are fully glazed throughout, closed water rim, vacuum checked
Further options / accessories: Surface refinement LCC (only white), floorstanding cistern 82866.0, 82866.1, 82866.3, 82866.4, floorstanding cistern two-part Universal 82966.0, 82966.1, 82966.3, 82966.4, WC seat and cover with automatic lowering 89180.2
Order no. 82380.6

TECHNICAL DRAWINGS / S 1 : 20



SET PALOMBA COLLECTION / INO

Wallhung WC rimless

82080.2



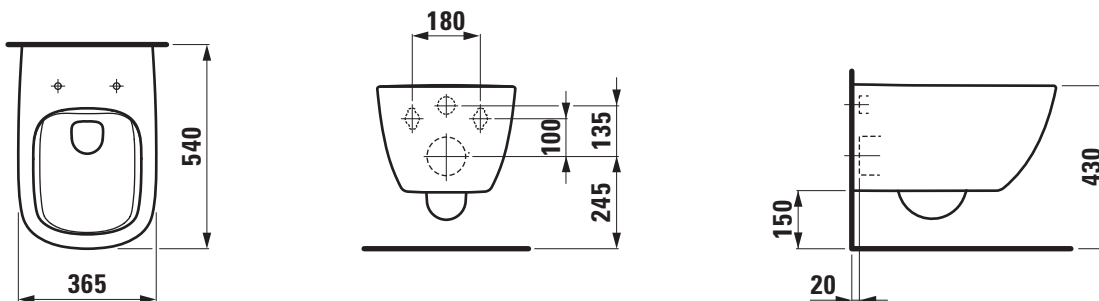
TECHNICAL DATA

Order no.	82080.2
Certified to	EN 997 / EN 33
Specification	rimless Washdown for min. 5/3-l-flush
Outlet	horizontal
Weight	22,0 kg
Accessories excl.	WC seat and cover with automatic lowering system, order no. 89180.2
Mounting acc. incl.	laufen EasyFit system M12, order no. 89282.7
Mounting acc. excl.	Stone screw fastening kit M12
Colours	see colour table

SPECIFICATION TEXT

Wallhung WC rimless washdown Laufen-PALOMBA COLLECTION / INO sanitary ceramic, for concealed cistern
EN 997, EN 33, min. 5/3-l-flush, dimensions 360 x 540 x 348 mm
concealed trap, concealed fixation
Special feature: rimless, concealed surfaces directing water are fully glazed throughout, vacuum checked
Further options / accessories: Surface refinement LCC (only white), WC seat and cover with automatic lowering 89180.2
Order no. 82080.2

TECHNICAL DRAWINGS / S 1 : 20



SET PALOMBA COLLECTION / INO

WC Seat and cover with automatic lowering system 89180.2



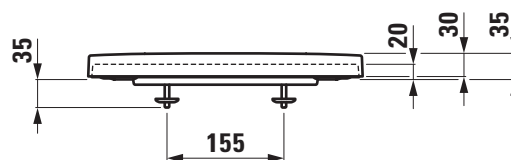
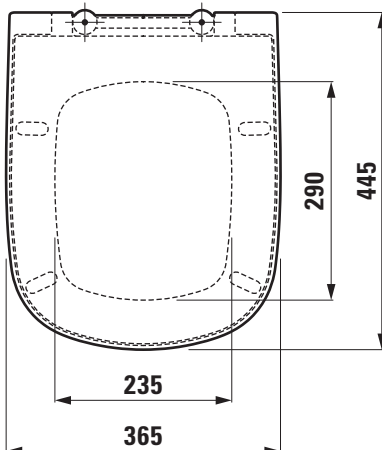
TECHNICAL DATA

Order no.	89180.2
matching for	Floorstanding WC pan order no. 82380.6, 82480.1 Wallhung WC pan order no. 82080.2
Specification	removable with automatic lowering system
Weight	2,5 kg
Mounting acc.	included
Colours	see colour table

SPECIFICATION TEXT

WC seat and cover Laufen-PALOMBA COLLECTION / INO, Duroplast removable, automatic lowering system matching floorstanding WC pan, order no. 82380.6, 82480.1 and wallhung WC pan, order no. 82080.2
Order no. 89180.2

TECHNICAL DRAWINGS / S 1 : 10



SET PALOMBA COLLECTION / INO

Floorstanding bidet

83280.1



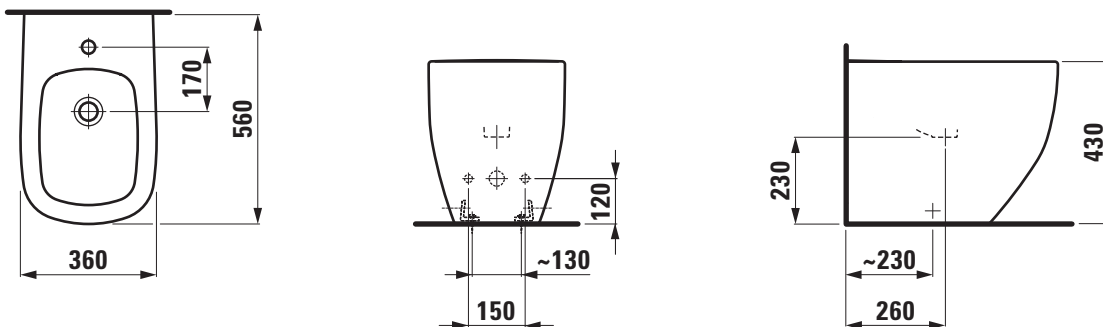
TECHNICAL DATA

Order no.	83280.1
Certified to	EN 997, EN 35
Specification	Charge 304 – 1 centre tap hole
Weight	24,0 kg
Mounting acc. incl.	Device for fixing, order no. 89175.7
Mounting acc. excl.	flexible siphon LAUFEN, order no. 89497.5
Colours	see colour table

SPECIFICATION TEXT

Floorstanding bidet Laufen-PALOMBA COLLECTION / INO
sanitary ceramic
EN 997, EN 35, dimensions 360 x 560 x 430 mm
1 centre tap hole
back to wall, concealed fixation
Special feature: overflow channel glazed, vacuum checked
Further options / accessories: Surface refinement LCC (only white)
Order no. 83280.1

TECHNICAL DRAWINGS / S 1 : 20



SET PALOMBA COLLECTION / INO

Wallhung bidet 83080.1



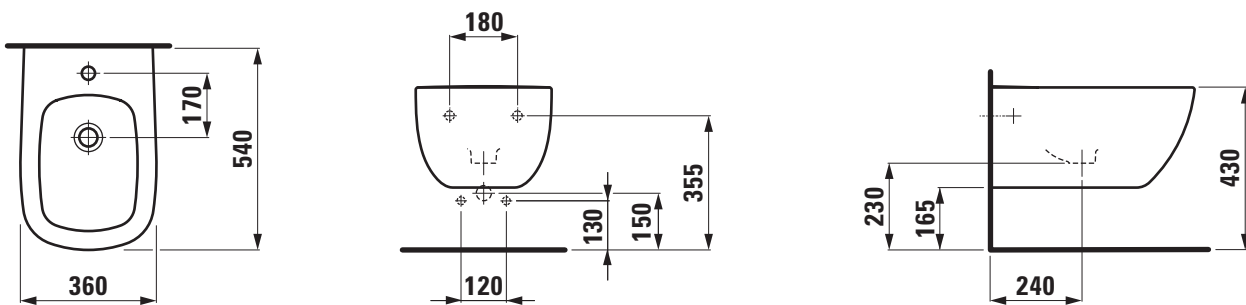
TECHNICAL DATA

Order no.	83080.1
Certified to	EN 36
Specification	Charge 304 – 1 centre tap hole
Weight	16,0 kg
Mounting acc. incl.	laufen EasyFit system M12, order no. 89282.7
Mounting acc. excl.	Stone screw fastening kit M12
Colours	see colour table

SPECIFICATION TEXT

Wallhung bidet Laufen-PALOMBA COLLECTION / INO
sanitary ceramic
EN 36, dimensions 360 x 540 x 265 mm
1 centre tap hole
concealed fixation
Special feature: overflow channel glazed, vacuum checked
Further options: Surface refinement LCC (only white)
Order no. 83080.1

TECHNICAL DRAWINGS / S 1 : 20





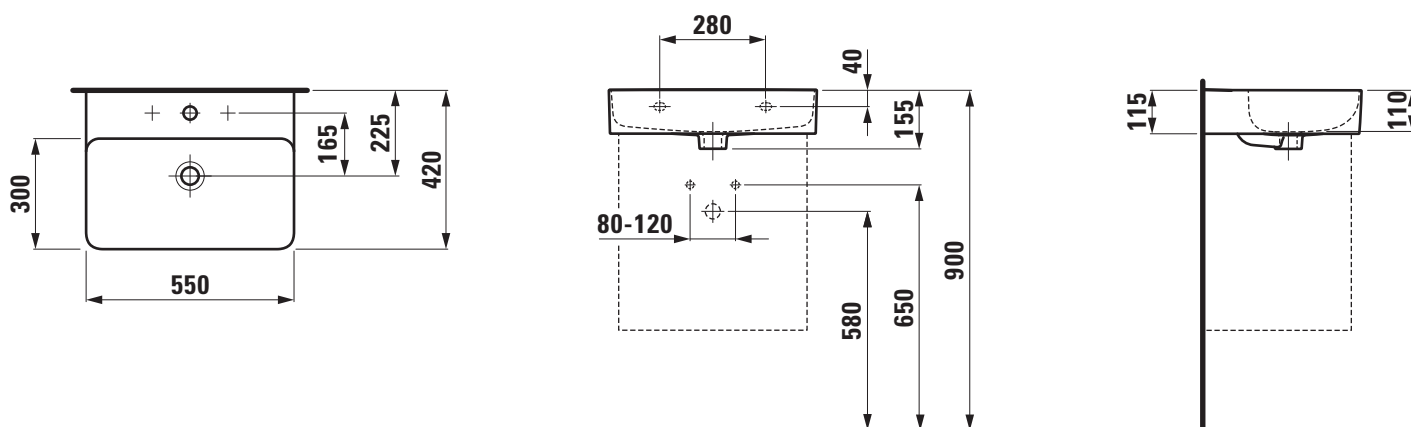
TECHNICAL DATA

Order no.	81028.2
Certified to	EN 31
Dimensions	550 x 420 mm
Inside dimensions of the basin	538 x 294 mm
Basin capacity	exact specification not yet available
Specification	Charge 104 – 1 centre tap hole
Special specification	Charge 108 – 3 tap holes Charge 109 – without tap holes Charge 136 – 3 tap holes, distance 8 inches
Weight	11,5 kg
Mounting acc. excl.	Mounting set M10 x 140 mm, order no. 89988.2
Colours	see colour table

SPECIFICATION TEXT

Countertop basin Laufen-VAL, SaphirKeramik
EN 31
dimensions 550 x 420 mm
1 centre tap hole
Special feature: overflow channel glazed
Further options / accessories: Surface refinement LCC (only white),
3 tap holes, without tap holes, 3 tap holes distance 8 inches, bathtubs
Order no. 81028.2

TECHNICAL DRAWINGS / S 1 : 20





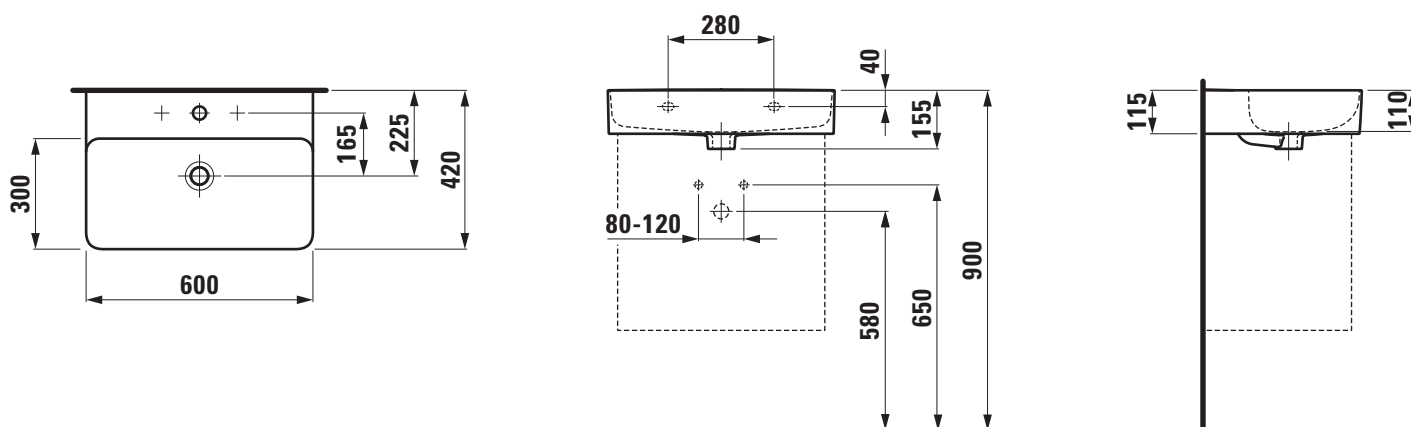
TECHNICAL DATA

Order no.	81028.3
Certified to	EN 31
Dimensions	600 x 420 mm
Inside dimensions of the basin	588 x 294 mm
Basin capacity	exact specification not yet available
Specification	Charge 104 – 1 centre tap hole
Special specification	Charge 108 – 3 tap holes Charge 109 – without tap holes Charge 136 – 3 tap holes, distance 8 inches
Weight	12,0 kg
Mounting acc. excl.	Mounting set M10 x 140 mm, order no. 89988.2
Colours	see colour table

SPECIFICATION TEXT

Countertop basin Laufen-VAL, SaphirKeramik
EN 31
dimensions 600 x 420 mm
1 centre tap hole
Special feature: overflow channel glazed
Further options / accessories: Surface refinement LCC (only white),
3 tap holes, without tap holes, 3 tap holes distance 8 inches, bathtubs
Order no. 81028.3

TECHNICAL DRAWINGS / S 1 : 20





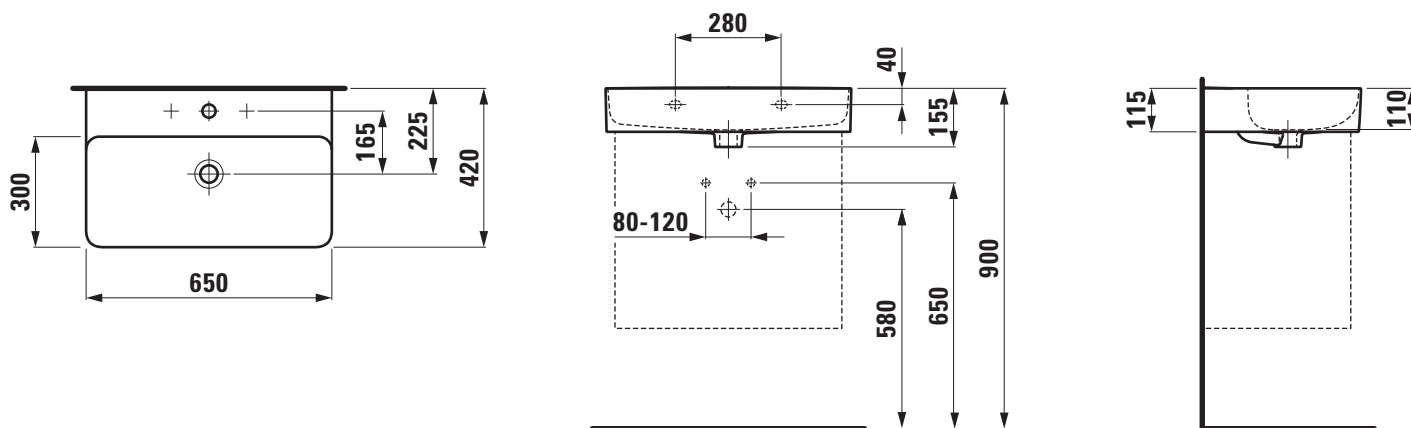
TECHNICAL DATA

Order no.	81028.4
Certified to	EN 31
Dimensions	650 x 420 mm
Inside dimensions of the basin	638 x 294 mm
Basin capacity	exact specification not yet available
Specification	Charge 104 – 1 centre tap hole
Special specification	Charge 108 – 3 tap holes Charge 109 – without tap holes Charge 136 – 3 tap holes, distance 8 inches
Weight	13,5 kg
Mounting acc. excl.	Mounting set M10 x 140 mm, order no. 89988.2
Colours	see colour table

SPECIFICATION TEXT

Countertop basin Laufen-VAL, SaphirKeramik
EN 31
dimensions 650 x 420 mm
1 centre tap hole
Special feature: overflow channel glazed
Further options / accessories: Surface refinement LCC (only white),
3 tap holes, without tap holes, 3 tap holes distance 8 inches, bathtubs
Order no. 81028.4

TECHNICAL DRAWINGS / S 1 : 20





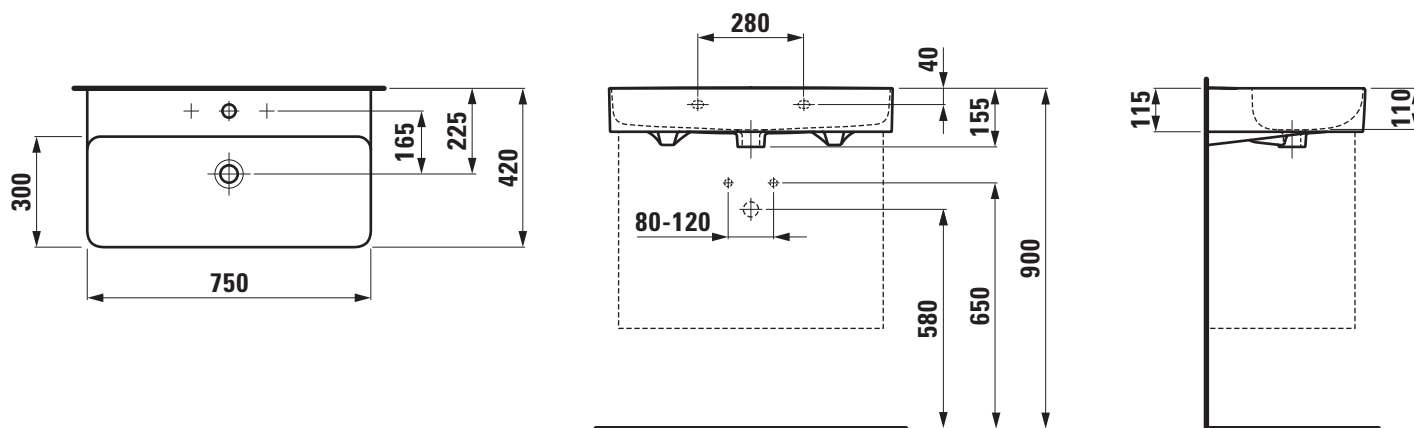
TECHNICAL DATA

Order no.	81028.5
Certified to	EN 31
Dimensions	750 x 420 mm
Inside dimensions of the basin	738 x 294 mm
Basin capacity	13.3 litre (up to bottom line of the overflow)
Specification	Charge 104 – 1 centre tap hole
Special specification	Charge 108 – 3 tap holes Charge 109 – without tap holes Charge 136 – 3 tap holes, distance 8 inches
Weight	16,0 kg
Mounting acc. excl.	Mounting set M10 x 140 mm, order no. 89988.2
Colours	see colour table

SPECIFICATION TEXT

Countertop basin Laufen-VAL, SaphirKeramik
EN 31
dimensions 750 x 420 mm
1 centre tap hole
Special feature: overflow channel glazed
Further options / accessories: Surface refinement LCC (only white), 3 tap holes, without tap holes, 3 tap holes distance 8 inches, bathtubs
Order no. 81028.5

TECHNICAL DRAWINGS / S 1 : 20





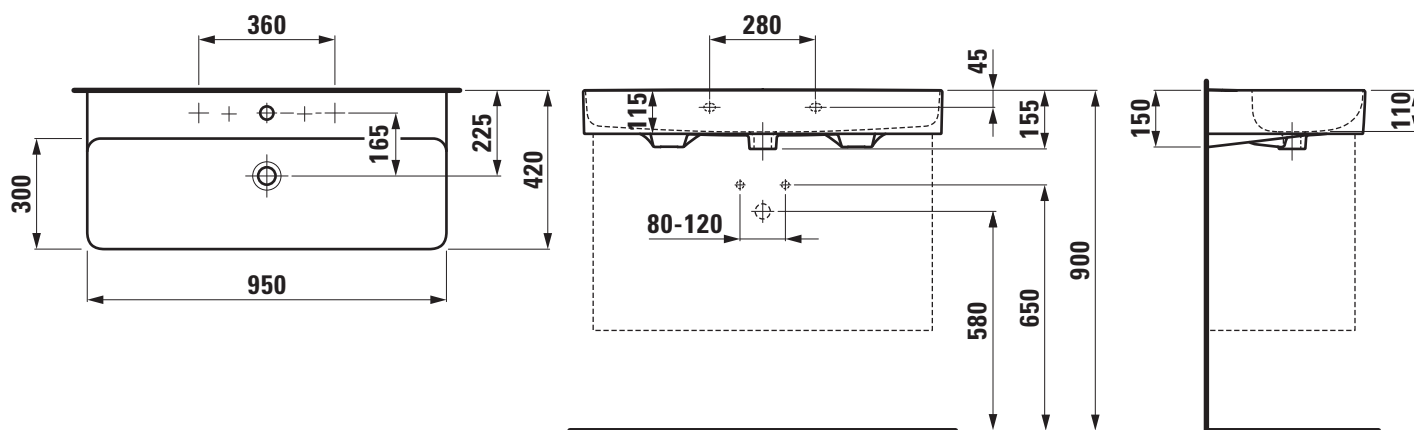
TECHNICAL DATA

Order no.	81028.7
Certified to	EN 31
Dimensions	950 x 420 mm
Inside dimensions of the basin	938 x 294 mm
Basin capacity	16.6 litre (up to bottom line of the overflow)
Specification	Charge 104 – 1 centre tap hole
Special specification	Charge 107 – 2 tap holes Charge 108 – 3 tap holes Charge 109 – without tap holes Charge 136 – 3 tap holes, distance 8 inches
Weight	18,5 kg
Mounting acc. excl.	Mounting set M10 x 140 mm, order no. 89988.2
Colours	see colour table

SPECIFICATION TEXT

Countertop basin Laufen-VAL, SaphirKeramik
EN 31
dimensions 950 x 420 mm
1 centre tap hole
Special feature: overflow channel glazed
Further options / accessories: Surface refinement LCC (only white),
2 tap holes, 3 tap holes, without tap holes, 3 tap holes distance
8 inches, bathtubs
Order no. 81028.7

TECHNICAL DRAWINGS / S 1 : 20





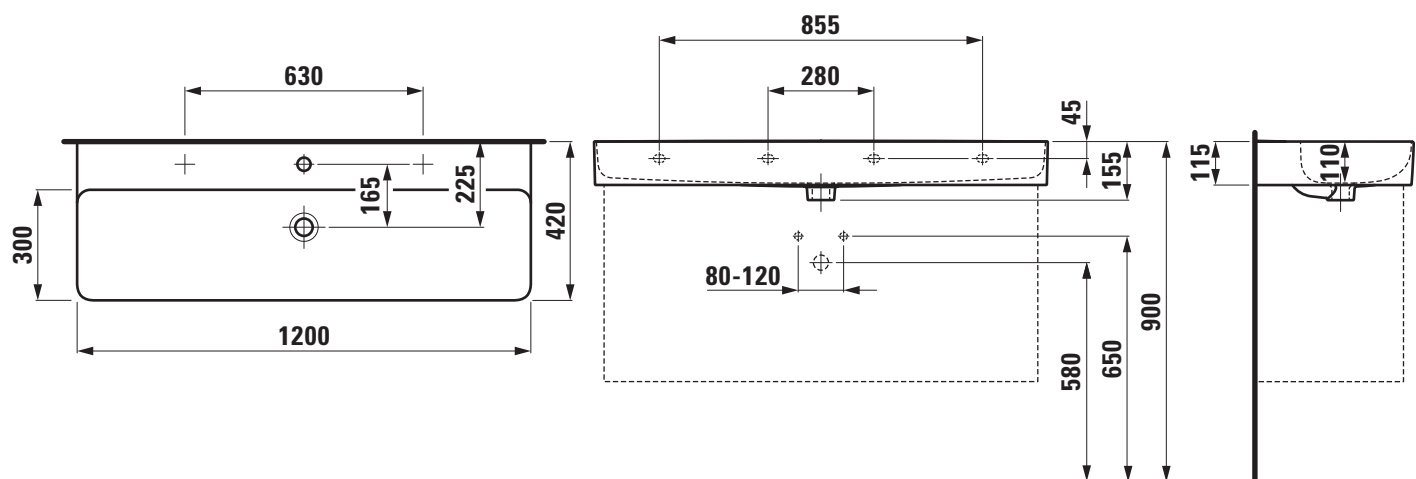
TECHNICAL DATA

Order no.	81028.9
Certified to	EN 31
Dimensions	1200 x 420 mm
Inside dimensions of the basin	1188 x 294 mm
Basin capacity	21.0 litre (up to bottom line of the overflow)
Specification	Charge 104 – 1 centre tap hole
Special specification	Charge 107 – 2 tap holes Charge 109 – without tap holes
Weight	23,0 kg
Mounting acc. excl.	Mounting set M10 x 140 mm, order no. 89988.2
Colours	see colour table

SPECIFICATION TEXT

Countertop basin Laufen-VAL, SaphirKeramik
EN 31
dimensions 1200 x 420 mm
1 centre tap hole
Special feature: overflow channel glazed
Further options / accessories: Surface refinement LCC (only white),
2 tap holes, without tap holes, bathtubs
Order no. 81028.9

TECHNICAL DRAWINGS / S 1 : 20



Double countertop basin
81428.2



TECHNICAL DATA

Order no.	81428.2
Certified to	EN 31
Dimensions	1200 x 420 mm
Inside dimensions of the basin	480 x 295 mm
Basin capacity	8,6 litre (up to bottom line of the overflow)
Specification	with semi-wet-area Charge 104 – per basin 1 centre tap hole
Special specification	Charge 108 – per basin 3 tap holes Charge 109 – without tap holes Charge 136 – per basin 3 tap holes, distance 8 inches
Weight	27,5 kg
Accessories excl.	Towel rail left, order no. 38128.3 Towel rail right, order no. 38128.4

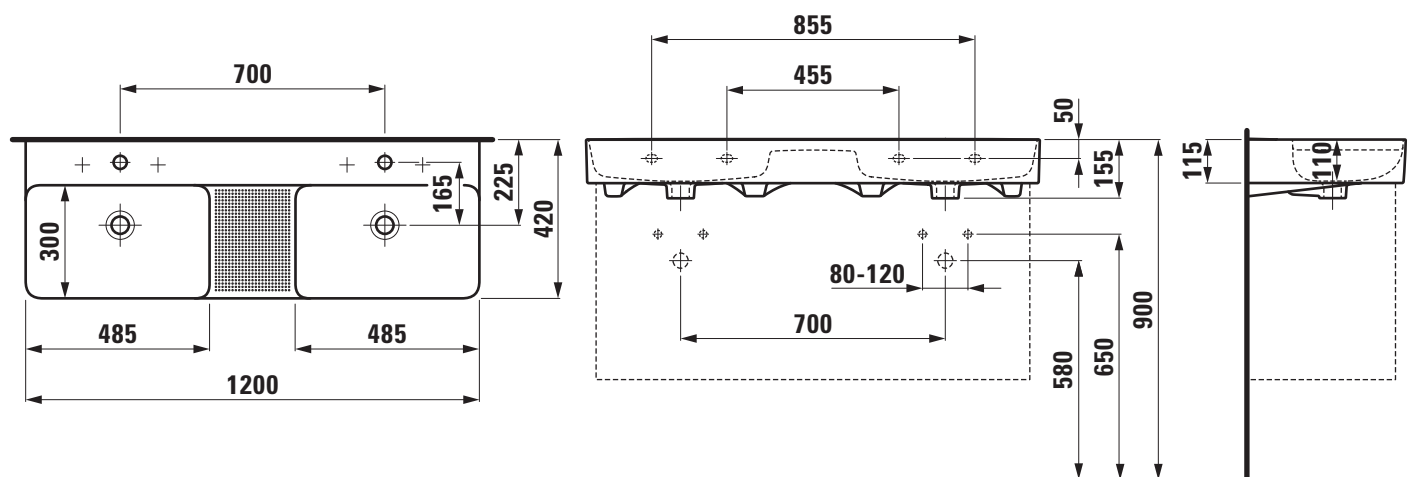
Mounting acc. excl. 2x Mounting set M10 x 140 mm, order no. 89988.2

Colours see colour table

SPECIFICATION TEXT

Double countertop basin Laufen-VAL, SaphirKeramik EN 31 dimensions 1200 x 420 mm per basin 1 centre tap hole
 Special feature: overflow channel glazed, semi-wet-area
 Further options / accessories: Surface refinement LCC (only white), 3 tap holes, without tap holes, 3 tap holes distance 8 inches, towel rail left 38128.3, towel rail right 38128.4, bathtubs
 Order no. 81428.2

TECHNICAL DRAWINGS / S 1 : 20





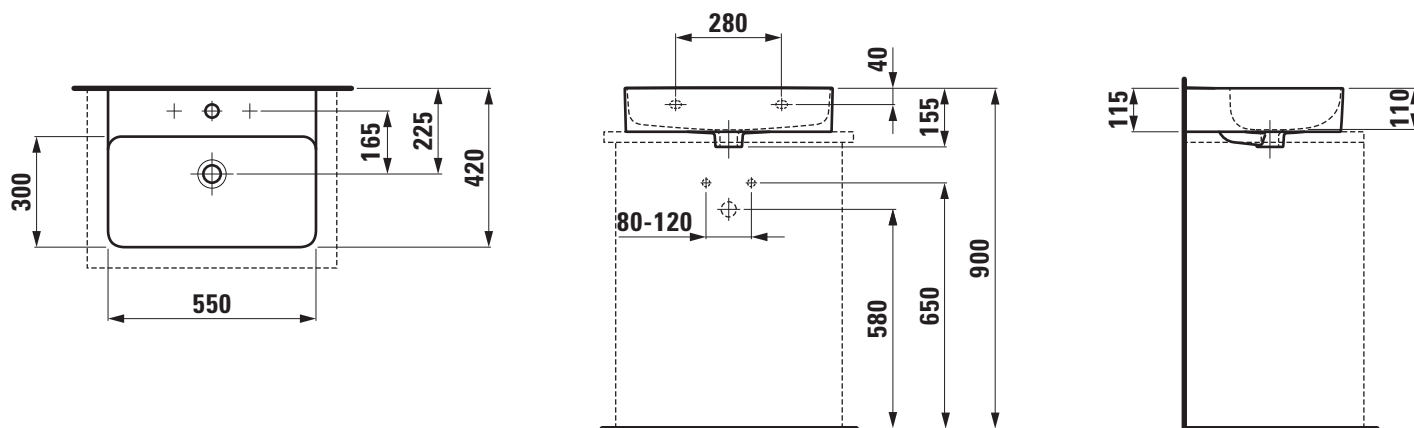
TECHNICAL DATA

Order no.	81628.2
Certified to	EN 31
Dimensions	550 x 420 mm
Inside dimensions of the basin	538 x 294 mm
Basin capacity	exact specification not yet available
Specification	Always to be fixed to the wall. Charge 104 – 1 centre tap hole
Special specification	Charge 108 – 3 tap holes Charge 109 – without tap holes Charge 136 – 3 tap holes, distance 8 inches
Weight	11,5 kg
Mounting acc. incl.	Template, order no. 89628.2 Fastening kit, order no. 89194.0
Mounting acc. excl.	Mounting set M10 x 140 mm, order no. 89988.2
Colours	see colour table

SPECIFICATION TEXT

Washbasin undersurface ground Laufen-VAL, SaphirKeramik
EN 31
dimensions 550 x 420 mm
1 centre tap hole
Special feature: overflow channel glazed
Further options / accessories: Surface refinement LCC (only white),
3 tap holes, without tap holes, 3 tap holes distance 8 inches, bathtubs
Order no. 81628.2

TECHNICAL DRAWINGS / S 1 : 20





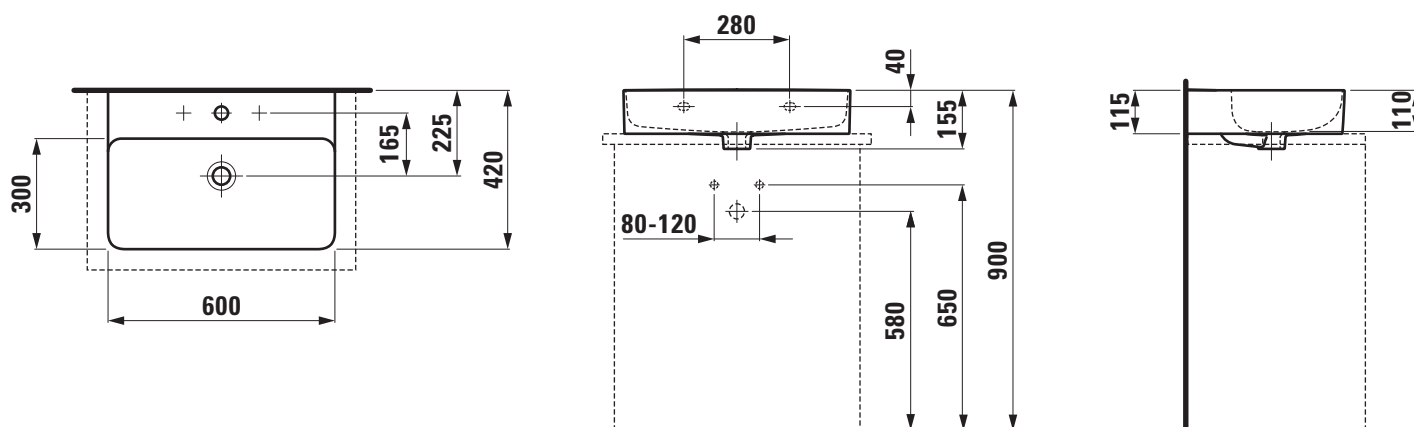
TECHNICAL DATA

Order no.	81628.3
Certified to	EN 31
Dimensions	600 x 420 mm
Inside dimensions of the basin	588 x 294 mm
Basin capacity	exact specification not yet available
Specification	Always to be fixed to the wall. Charge 104 – 1 centre tap hole
Special specification	Charge 108 – 3 tap holes Charge 109 – without tap holes Charge 136 – 3 tap holes, distance 8 inches
Weight	12,0 kg
Mounting acc. incl.	Template, order no. 89628.3 Fastening kit, order no. 89194.0
Mounting acc. excl.	Mounting set M10 x 140 mm, order no. 89988.2
Colours	see colour table

SPECIFICATION TEXT

Washbasin undersurface ground Laufen-VAL, SaphirKeramik
EN 31
dimensions 600 x 420 mm
1 centre tap hole
Special feature: overflow channel glazed
Further options / accessories: Surface refinement LCC (only white),
3 tap holes, without tap holes, 3 tap holes distance 8 inches, bathtubs
Order no. 81628.3

TECHNICAL DRAWINGS / S 1 : 20





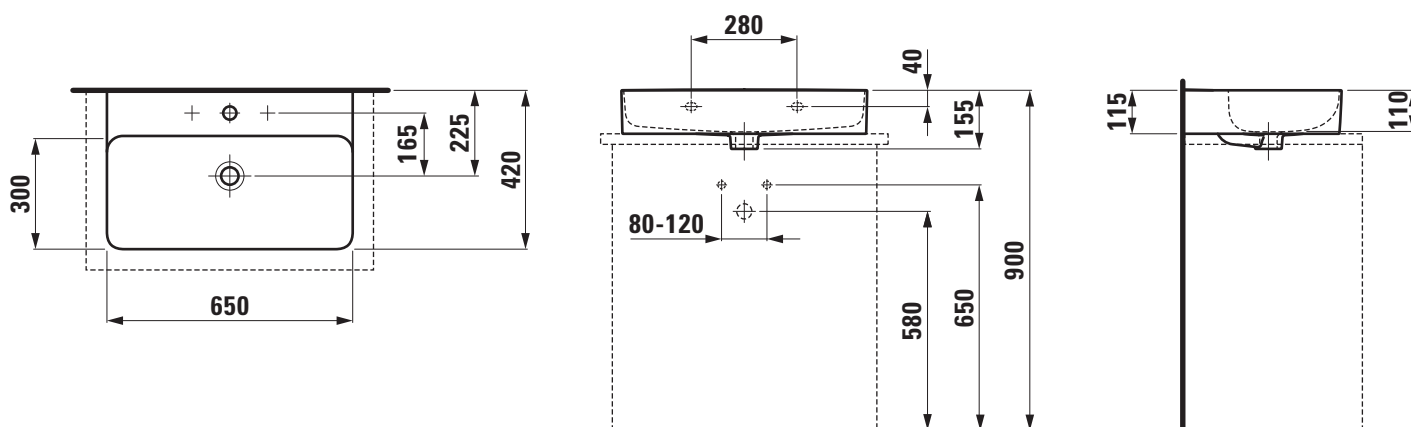
TECHNICAL DATA

Order no.	81628.4
Certified to	EN 31
Dimensions	650 x 420 mm
Inside dimensions of the basin	638 x 294 mm
Basin capacity	exact specification not yet available
Specification	Always to be fixed to the wall. Charge 104 – 1 centre tap hole
Special specification	Charge 108 – 3 tap holes Charge 109 – without tap holes Charge 136 – 3 tap holes, distance 8 inches
Weight	13,5 kg
Mounting acc. incl.	Template, order no. 89628.4 Fastening kit, order no. 89194.0
Mounting acc. excl.	Mounting set M10 x 140 mm, order no. 89988.2
Colours	see colour table

SPECIFICATION TEXT

Washbasin undersurface ground Laufen-VAL, SaphirKeramik
EN 31
dimensions 650 x 420 mm
1 centre tap hole
Special feature: overflow channel glazed
Further options / accessories: Surface refinement LCC (only white),
3 tap holes, without tap holes, 3 tap holes distance 8 inches, bathtubs
Order no. 81628.4

TECHNICAL DRAWINGS / S 1 : 20



**Washbasin undersurface ground
81628.5**



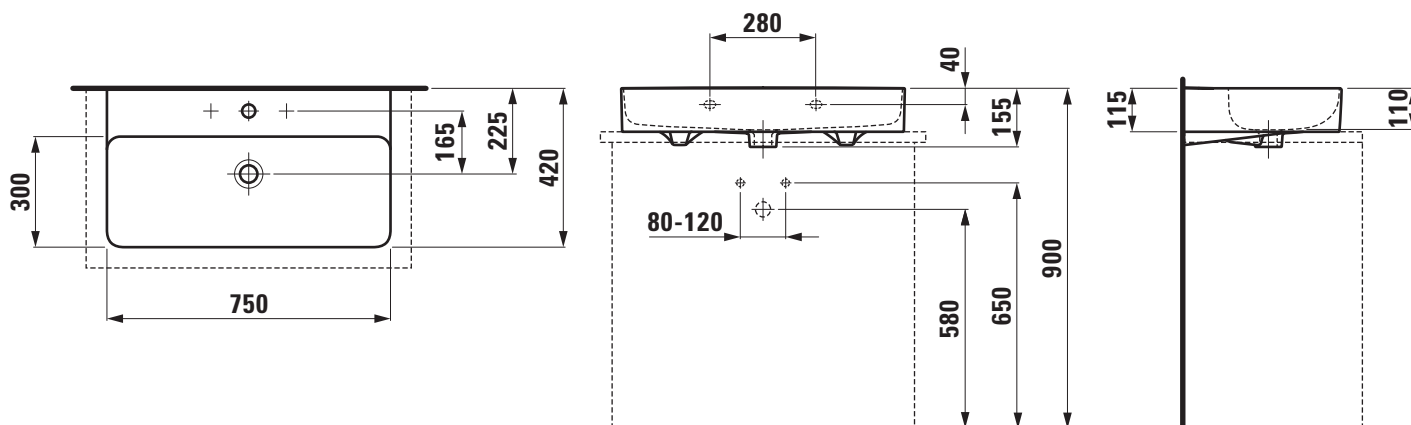
TECHNICAL DATA

Order no.	81628.5
Certified to	EN 31
Dimensions	750 x 420 mm
Inside dimensions of the basin	738 x 294 mm
Basin capacity	13.3 litre (up to bottom line of the overflow)
Specification	Always to be fixed to the wall. Charge 104 – 1 centre tap hole
Special specification	Charge 108 – 3 tap holes Charge 109 – without tap holes Charge 136 – 3 tap holes, distance 8 inches
Weight	16,0 kg
Mounting acc. incl.	Template, order no. 89628.5 Fastening kit, order no. 89194.0
Mounting acc. excl.	Mounting set M10 x 140 mm, order no. 89988.2
Colours	see colour table

SPECIFICATION TEXT

Washbasin undersurface ground Laufen-VAL, SaphirKeramik
EN 31
dimensions 750 x 420 mm
1 centre tap hole
Special feature: overflow channel glazed
Further options / accessories: Surface refinement LCC (only white),
3 tap holes, without tap holes, 3 tap holes distance 8 inches, bathtubs
Order no. 81628.5

TECHNICAL DRAWINGS / S 1 : 20



**Washbasin undersurface ground
81628.7**



TECHNICAL DATA

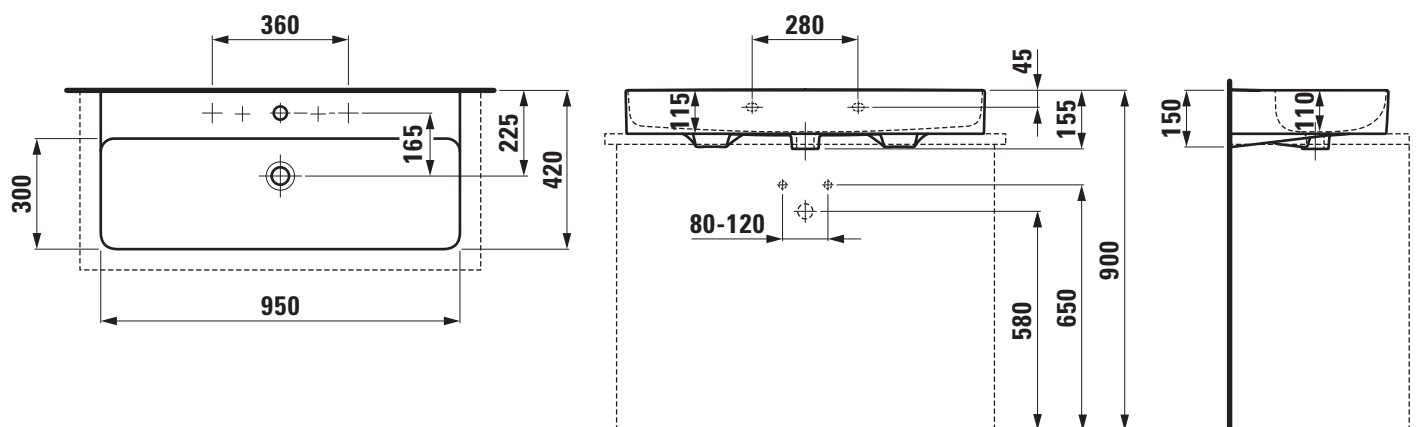
Order no.	81628.7
Certified to	EN 31
Dimensions	950 x 420 mm
Inside dimensions of the basin	938 x 294 mm
Basin capacity	16.6 litre (up to bottom line of the overflow)
Specification	Always to be fixed to the wall. Charge 104 – 1 centre tap hole
Special specification	Charge 107 – 2 tap holes Charge 108 – 3 tap holes Charge 109 – without tap holes Charge 136 – 3 tap holes, distance 8 inches
Weight	18,5 kg
Mounting acc. incl.	Template, order no. 89628.7 Fastening kit, order no. 89194.0

Mounting acc. excl.	Mounting set M10 x 140 mm, order no. 89988.2
Colours	see colour table

SPECIFICATION TEXT

Washbasin undersurface ground Laufen-VAL, SaphirKeramik
EN 31
dimensions 950 x 420 mm
1 centre tap hole
Special feature: overflow channel glazed
Further options / accessories: Surface refinement LCC (only white),
2 tap holes, 3 tap holes, without tap holes, 3 tap holes distance
8 inches, bathtubs
Order no. 81628.7

TECHNICAL DRAWINGS / S 1 : 20





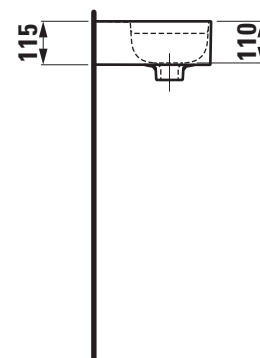
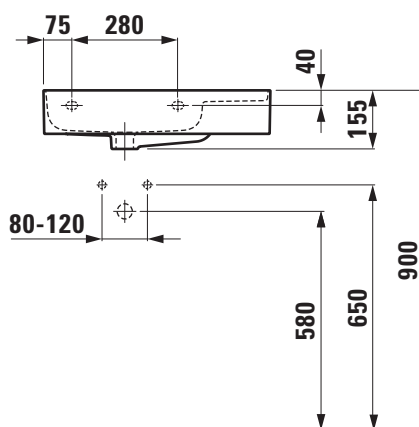
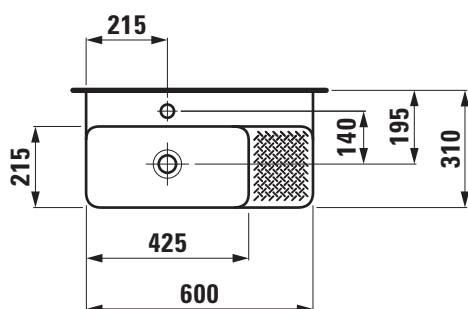
TECHNICAL DATA

Order no.	81528.5
Certified to	EN 31
Dimensions	600 x 310 mm
Inside dimensions of the basin	420 x 210 mm
Basin capacity	3.7 litre (up to bottom line of the overflow)
Specification	with semi-wet-area right Charge 104 – 1 centre tap hole
Special specification	Charge 109 – without tap holes
Weight	10,5 kg
Accessories excl.	Towel holder, order no. 38128.2
Mounting acc. excl.	Mounting set M10 x 140 mm, order no. 89988.2
Colours	see colour table

SPECIFICATION TEXT

Countertop basin compact Laufen-VAL, SaphirKeramik
EN 31
dimensions 600 x 310 mm
with semi-wet-area right, 1 centre tap hole
Special feature: overflow channel glazed
Further options / accessories: Surface refinement LCC (only white),
without tap holes, towel holder 38128.2, bathtubs, furniture
Order no. 81528.5

TECHNICAL DRAWINGS / S 1 : 20



Washbasin compact undersurface ground

81728.5



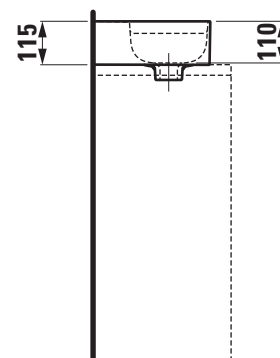
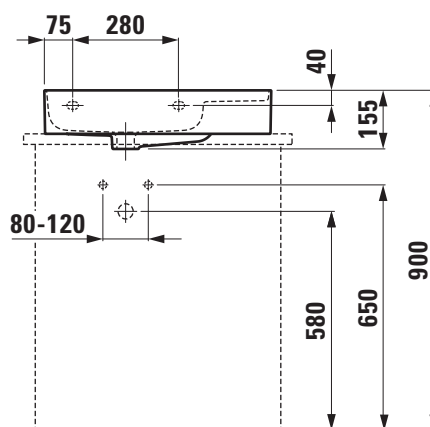
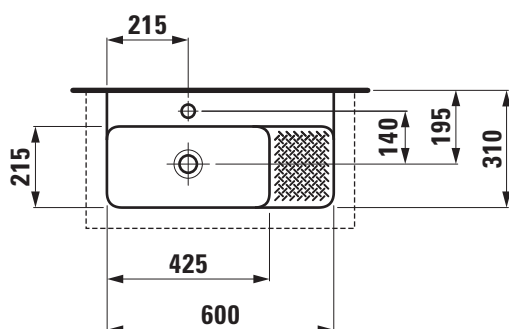
TECHNICAL DATA

Order no.	81728.5
Certified to	EN 31
Dimensions	600 x 310 mm
Inside dimensions of the basin	420 x 210 mm
Basin capacity	3.7 litre (up to bottom line of the overflow)
Specification	Always to be fixed to the wall. with semi-wet-area right Charge 104 – 1 centre tap hole
Special specification	Charge 109 – without tap holes
Weight	10,5 kg
Mounting acc. incl.	Template, order no. 89828.6 Fastening kit, order no. 89194.0
Mounting acc. excl.	Mounting set M10 x 140 mm, order no. 89988.2
Colours	see colour table

SPECIFICATION TEXT

Washbasin compact undersurface ground Laufen-VAL, SaphirKeramik EN 31
 dimensions 600 x 310 mm
 with semi-wet-area right, 1 centre tap hole
 Special feature: overflow channel glazed
 Further options / accessories: Surface refinement LCC (only white),
 without tap holes, bathtubs
 Order no. 81728.5

TECHNICAL DRAWINGS / S 1 : 20





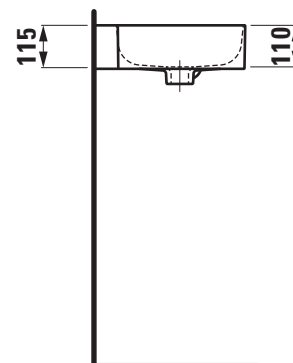
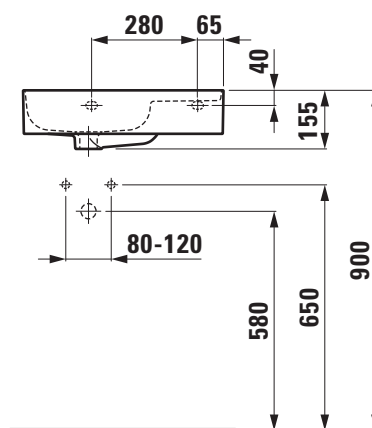
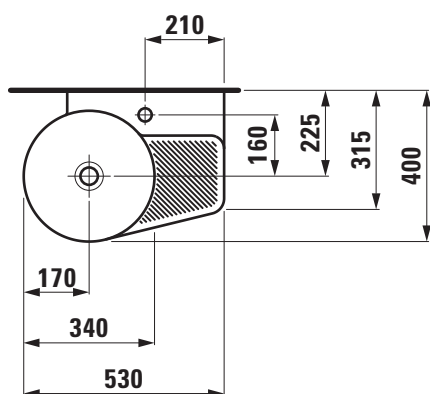
TECHNICAL DATA

Order no.	81528.8
Certified to	EN 31
Dimensions	530 x 315/400 mm
Inside dimensions of the basin	Ø 335 mm
Basin capacity	3.6 litre (up to bottom line of the overflow)
Specification	with semi-wet-area right Charge 106 – 1 tap hole right
Special specification	Charge 109 – without tap holes
Weight	9,7 kg
Accessories excl.	Towel holder, order no. 38128.5
Mounting acc. excl.	Mounting set M10 x 140 mm, order no. 89988.2
Colours	see colour table

SPECIFICATION TEXT

Washbasin Laufen-VAL, SaphirKeramik
EN 31
dimensions 530 x 315/400 mm, asymmetric with semi-wet-area right, 1 tap hole right
Special feature: overflow channel glazed
Further options / accessories: Surface refinement LCC (only white), without tap holes, towel holder 38128.5, bathtubs
Order no. 81528.8

TECHNICAL DRAWINGS / S 1 : 20





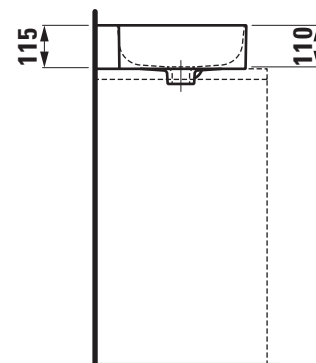
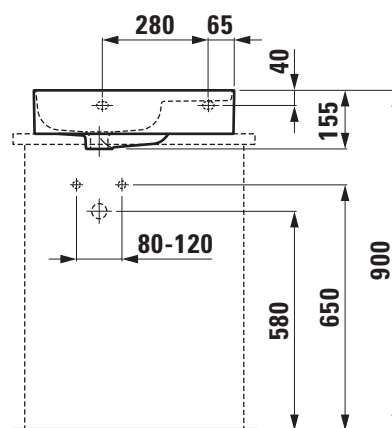
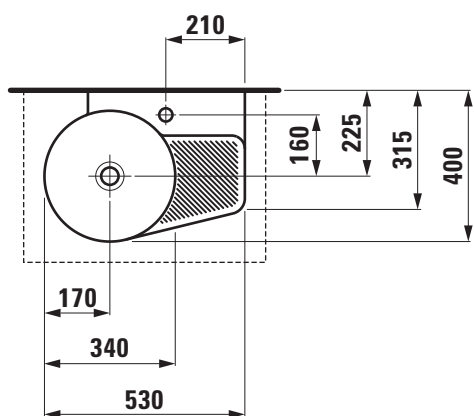
TECHNICAL DATA

Order no.	81628.8
Certified to	EN 31
Dimensions	530 x 315/400 mm
Inside dimensions of the basin	Ø 335 mm
Basin capacity	3.6 litre (up to bottom line of the overflow)
Specification	Always to be fixed to the wall. with semi-wet-area right Charge 106 – 1 tap hole right
Special specification	Charge 109 – without tap holes
Weight	9,7 kg
Mounting acc. incl.	Template, order no. 89828.4 Fastening kit, order no. 89194.0
Mounting acc. excl.	Mounting set M10 x 140 mm, order no. 89988.2
Colours	see colour table

SPECIFICATION TEXT

Washbasin undersurface ground Laufen-VAL, SaphirKeramik EN 31
 dimensions 530 x 315/400 mm, asymmetric with semi-wet-area right, 1 tap hole right
 Special feature: overflow channel glazed
 Further options / accessories: Surface refinement LCC (only white), without tap holes, bathtubs
 Order no. 81628.8

TECHNICAL DRAWINGS / S 1 : 20



Drop in basin undersurface ground

81728.1



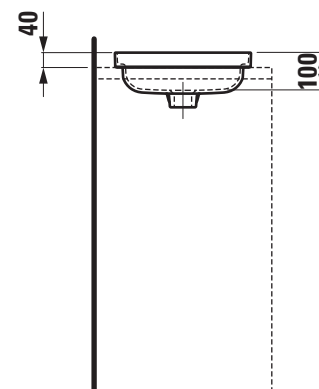
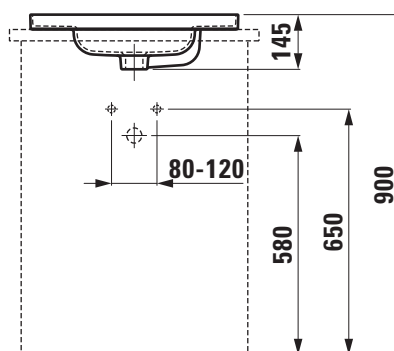
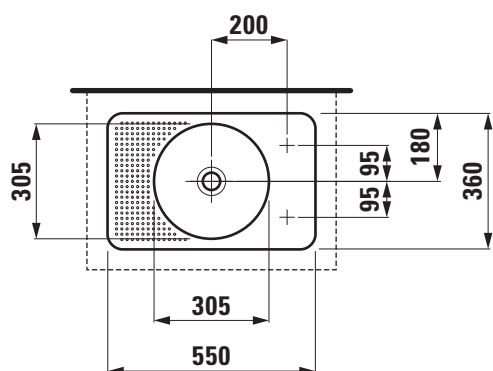
TECHNICAL DATA

Order no.	81728.1
Certified to	EN 31
Dimensions	550 x 360 mm
Basin capacity	exact specification not yet available
Specification	with semi-wet-area Charge 106 – 1 tap hole right
Special specification	Charge 105 – 1 tap holes left Charge 109 – without tap hole
Weight	8,0 kg
Mounting acc. incl.	Template, order no. 89828.3
Mounting acc. excl.	Silicon caoutchouc Siphon DN 32 chrome, order no. 89394.7
Colours	see colour table

SPECIFICATION TEXT

Drop in basin undersurface ground Laufen-VAL, SaphirKeramik
EN 31
dimensions 550 x 360 mm
with semi-wet-area, 1 tap hole right
Special feature: overflow channel glazed
Further options / accessories: Surface refinement LCC (only white),
1 tap hole left, without tap hole, bathtubs
Order no. 81728.1

TECHNICAL DRAWINGS / S 1 : 20





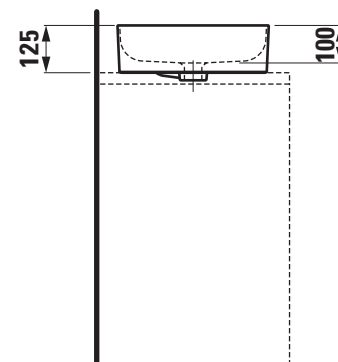
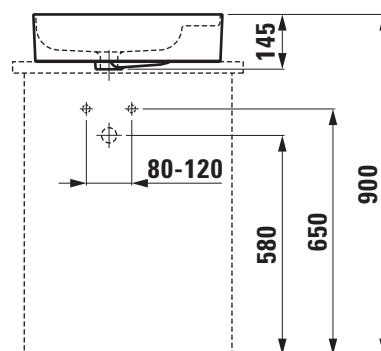
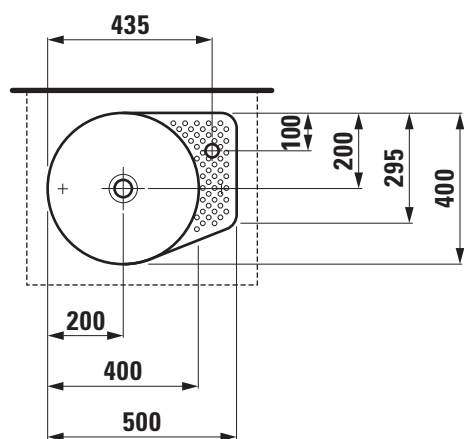
TECHNICAL DATA

Order no.	81228.1
Certified to	EN 31
Dimensions	500 x 400 mm
Inside dimensions of the basin	Ø 388 mm
Basin capacity	3.5 litre (up to bottom line of the overflow)
Specification	Charge 104 – 1 tap hole
Special specification	Charge 109 – without tap holes
Weight	8,5 kg
Mounting acc. incl.	Template, order no. 89828.1 Fastening kit, order no. 89496.1
Mounting acc. excl.	Siphon DN 32 chrome, order no. 89394.7
Otherwise	Use enclosed template for cutting.
Colours	see colour table

SPECIFICATION TEXT

Washbasin bowl Laufen-VAL, SaphirKeramik
 EN 31
 dimensions 500 x 400 mm, asymmetric
 1 tap hole
 Special feature: overflow channel glazed
 Further options / accessories: Surface refinement LCC (only white),
 without tap holes, bathtubs
 Order no. 81228.1

TECHNICAL DRAWINGS / S 1 : 20





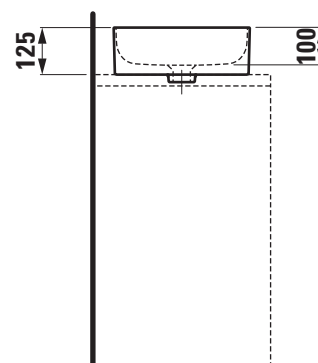
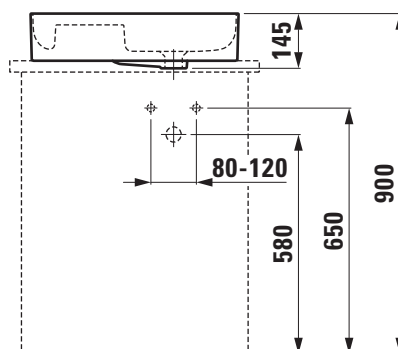
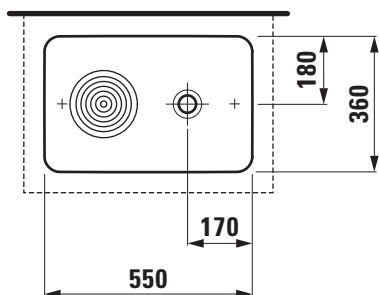
TECHNICAL DATA

Order no.	81228.2
Certified to	EN 31
Dimensions	550 x 360 mm
Inside dimensions of the basin	538 x 348 mm
Basin capacity	4.5 litre
Specification	with semi-wet-area Charge 109 – without tap holes, with overflow
Weight	10,0 kg
Mounting acc. incl.	Template, order no. 89828.2 Fastening kit, order no. 89496.1
Mounting acc. excl.	Siphon DN 32 chrome, order no. 89394.7
Otherwise	Use enclosed template for cutting.
Colours	see colour table

SPECIFICATION TEXT

Washbasin bowl Laufen-VAL, SaphirKeramik
EN 31
dimensions 550 x 360 mm, angular
with semi-wet-area, without tap hole
Special feature: overflow channel glazed
Further options / accessories: Surface refinement LCC (only white),
bathtubs
Order no. 81228.1

TECHNICAL DRAWINGS / S 1 : 20



Small washbasin Pack with furniture

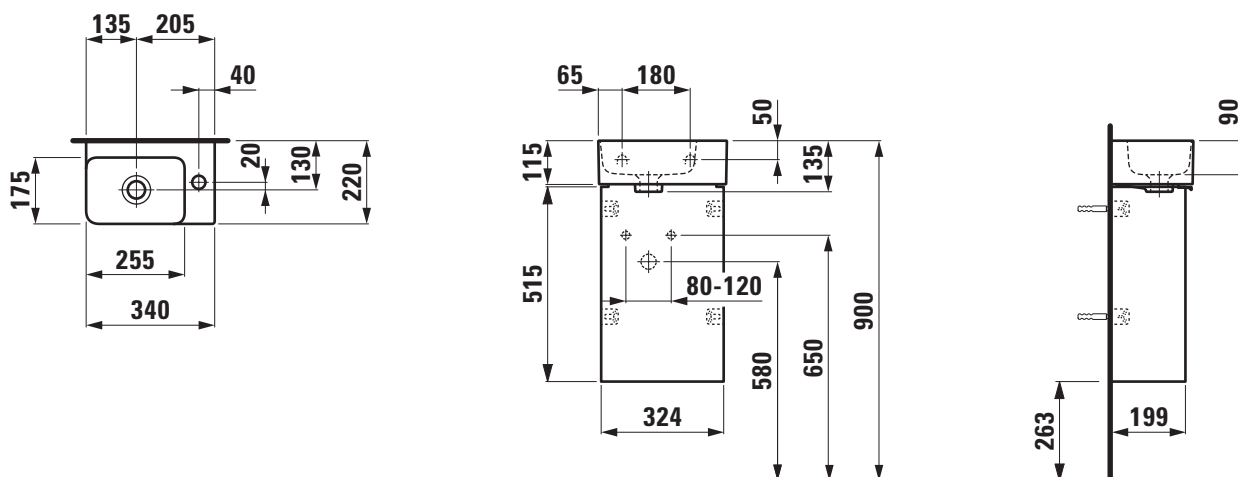
86228.0



TECHNICAL DATA

Order no.	86228.0 – small washbasin with vanity unit	Mounting information	The walls installed on must meet the requirements of the furniture in terms of weight and the supplied fastening elements. If this cannot be guaranteed another method of installation needs to be chosen.
Certified to	Small washbasin – EN 31	Colours ceramic	000 – White
Dimensions (WxHxD)	340 x 637 x 220 mm	Colours furniture	260 – White matt 261 – White glossy 262 – Light elm 263 – Dark elm M01 – Oyster white M36 – Traffic grey 999 – 39 other lacquered colours on request
Inside dimensions of the basin	250 x 170 mm	SPECIFICATION TEXT	
Specification	<p>Washbasin: Always to be fixed to the wall. Charge 106 – 1 tap hole right</p> <p>Furniture Base: White matt Body/Front MDF with PVC foil and ABS edges White glossy: Body/Front MDF with PET foil and ABS edges Elm light/dark: Body particle board with CPL foil Front melamine coated particle board with ABS edges Oyster white, Traffic grey: Body/Front MDF with PVC foil lacquered anodized aluminium handle bar on the top 1 door (soft-close mechanism), 1 internal glass shelf</p>	<p>VAL Small washbasin Pack with furniture Small washbasin: sanitary ceramic, EN 31, dimensions (WxD) 340 x 220 mm, angular, 1 tap hole right Special feature: overflow channel glazed Vanity unit: Body – MDF board with PVC foil (white matt), PET foil (white glossy), PVC foil lacquered (oyster white, traffic grey), particle board with CPL foil (elm light/dark) Front – MDF board with PVC foil (white matt), PET foil (white glossy), PVC foil lacquered (oyster white, traffic grey), Melamine coated particle board (elm light/dark), ABS edges anodized aluminium handle bar on the top, 1 door, 1 internal glass shelf dimensions (WxHxD) 324 x 515 x 199 mm Further options / accessories: Bathtubs, Base furniture Order no. 86228.0 – small washbasin with vanity unit</p>	
Weight			
Mounting acc. incl.	Special nut M10, order no. 89097.0 Mounting set for washbasin M10 x 140 mm, order no. 89988.2 Installation set for furniture		
Mounting acc. excl.	Space saving siphon DN 32 order no. 89424.0		

TECHNICAL DRAWINGS / S 1 : 20





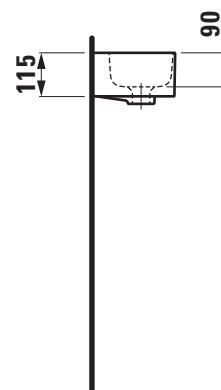
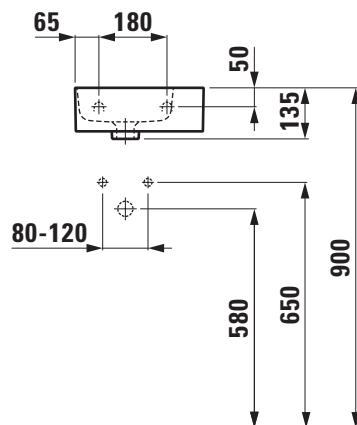
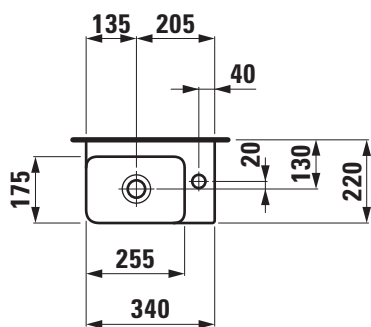
TECHNICAL DATA

Order no.	81528.0
Certified to	EN 31
Dimensions	340 x 220 mm
Inside dimensions of the basin	250 x 170 mm
Basin capacity	2.0 litre (up to bottom line of the overflow)
Specification	Charge 106 – 1 tap hole right
Weight	5,1 kg
Mounting acc. incl.	Special nut M10, order no. 89097.0
Mounting acc. excl.	Mounting set M10 x 140 mm, order no. 89988.2
Colours	see colour table

SPECIFICATION TEXT

Small washbasin Laufen-VAL, SaphirKeramik
 EN 31
 dimensions 340 x 220 mm, angular
 1 tap hole right
 Special feature: overflow channel glazed
 Further options / accessories: Surface refinement LCC (only white), bathtubs
 Order no. 81528.0

TECHNICAL DRAWINGS / S 1 : 20



Small washbasin, shelf right / cutable

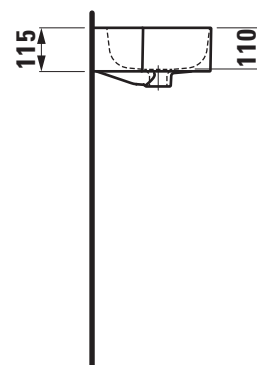
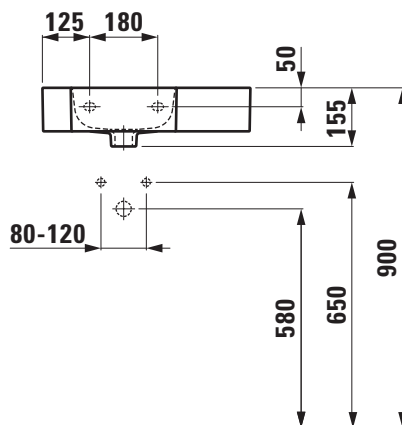
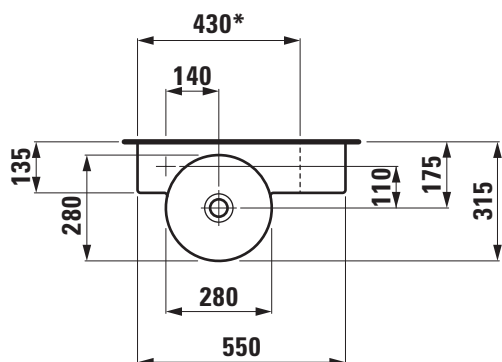
81528.3



TECHNICAL DATA

Order no.	81528.3	Mounting acc. excl.	Mounting set M10 x 140 mm, order no. 89988.2
Certified to	EN 31	Otherwise	When ordering the cut version use the order form for cutting
Dimensions	550 x 135/315 mm	Colours	see colour table
Inside dimensions of the basin	Ø 275 mm	SPECIFICATION TEXT	
Basin capacity	3.5 litre (up to bottom line of the overflow)	Small washbasin Laufen-VAL, SaphirKeramik EN 31	
Specification	Basin left, ceramic shelf right Charge 105 – 1 tap hole left	dimensions 340 x 135/315 mm, asymmetric basin left, 1 tap hole left	
Special specification	Charge 109 – without tap holes Charge 811 – 1 tap hole left, cut one-sided to 430 mm Charge 813 – without tap holes, cut one-sided to 430 mm	Special feature: overflow channel glazed, cutable to 430 mm, integrated shelf right	
Weight	8,0 kg	Further options / accessories: Surface refinement LCC (only white), without tap hole, towel holder 38128.1, bathtubs	
Accessories excl.	Towel holder, order no. 38128.1	Order no. 81528.3	

TECHNICAL DRAWINGS / S 1 : 20



* = minimum measure for cutting

Small washbasin, shelf left / cutable

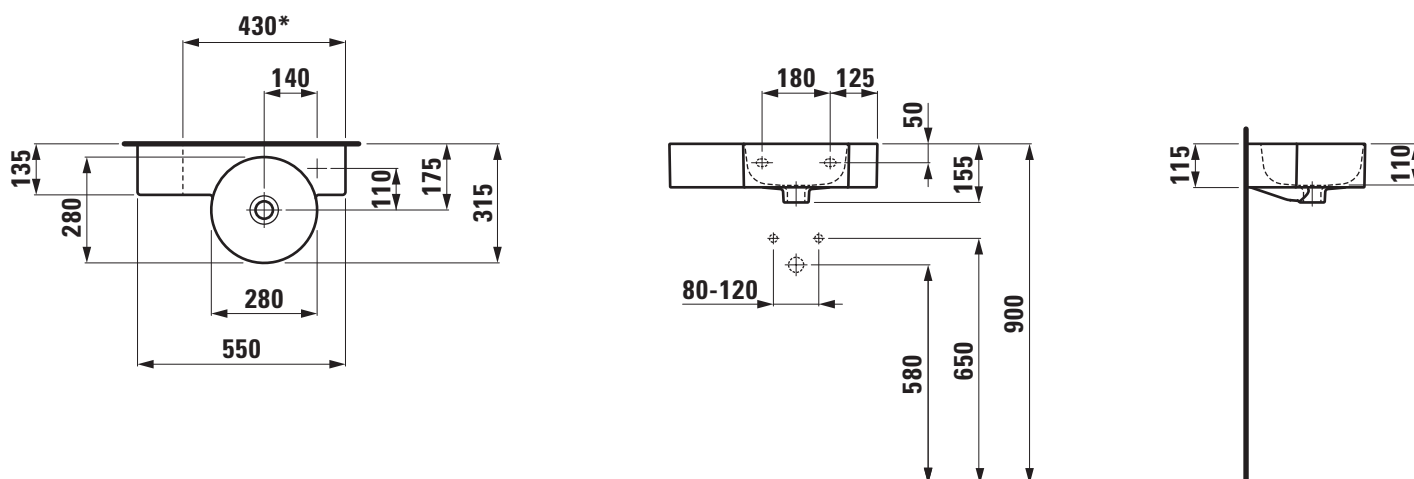
81528.4



TECHNICAL DATA

Order no.	81528.4	Mounting acc. excl.	Mounting set M10 x 140 mm, order no. 89988.2
Certified to	EN 31	Otherwise	When ordering the cut version use the order form for cutting
Dimensions	550 x 135/315 mm	Colours	see colour table
Inside dimensions of the basin	Ø 275 mm	SPECIFICATION TEXT	
Basin capacity	3,5 litre (up to bottom line of the overflow)	Small washbasin Laufen-VAL, SaphirKeramik EN 31	
Specification	Basin right, ceramic shelf left Charge 106 – 1 tap hole right	dimensions 340 x 135/315 mm, asymmetric basin right, 1 tap hole right	
Special specification	Charge 109 – without tap holes Charge 812 – 1 tap hole right, cut one-sided to 430 mm Charge 813 – without tap holes, cut one-sided to 430 mm	Special feature: overflow channel glazed, cutable to 430 mm, integrated shelf left	
Weight	8,0 kg	Further options / accessories: Surface refinement LCC (only white), without tap hole, towel holder 38128.0, bathtubs	
Accessories excl.	Towel holder, order no. 38128.0	Order no. 81528.4	

TECHNICAL DRAWINGS / S 1 : 20



* = minimum measure for cutting



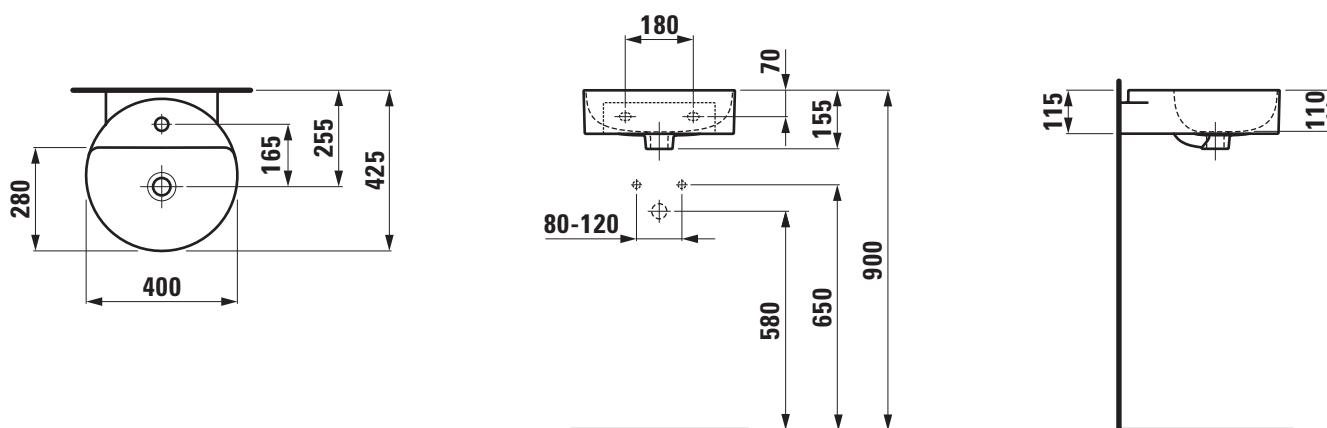
TECHNICAL DATA

Order no.	81128.1
Certified to	EN 31
Dimensions	400 x 425 mm
Inside dimensions of the basin	389 x 274 mm
Basin capacity	5.2 litre (up to bottom line of the overflow)
Specification	Charge 104 – 1 centre tap hole
Special specification	Charge 109 – without tap holes
Weight	8,0 kg
Mounting acc. excl.	Mounting set M10 x 140 mm, order no. 89988.2
Colours	see colour table

SPECIFICATION TEXT

Small washbasin Laufen-VAL, SaphirKeramik
 EN 31
 dimensions 400 x 425 mm
 1 centre tap hole
 Special feature: overflow channel glazed
 Further options / accessories: Surface refinement LCC (only white), without tap holes, bathtubs
 Order no. 81128.1

TECHNICAL DRAWINGS / S 1 : 20





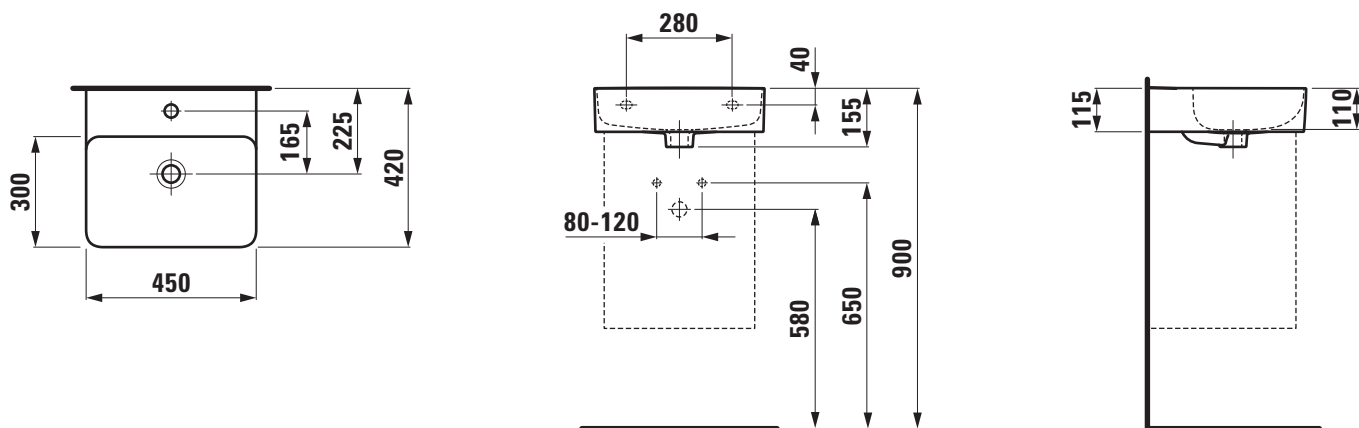
TECHNICAL DATA

Order no.	81528.1
Certified to	EN 31
Dimensions	450 x 420 mm
Inside dimensions of the basin	438 x 294 mm
Basin capacity	exact specification not yet available
Specification	Charge 104 – 1 centre tap hole
Special specification	Charge 109 – without tap holes
Weight	10,0 kg
Mounting acc. excl.	Mounting set M10 x 140 mm, order no. 89988.2
Colours	see colour table

SPECIFICATION TEXT

Countertop small washbasin Laufen-VAL, SaphirKeramik EN 31
 dimensions 450 x 420 mm
 1 centre tap hole
 Special feature: overflow channel glazed
 Further options / accessories: Surface refinement LCC (only white), without tap holes, bathtubs
 Order no. 81528.1

TECHNICAL DRAWINGS / S 1 : 20



Small washbasin undersurface ground

81328.1



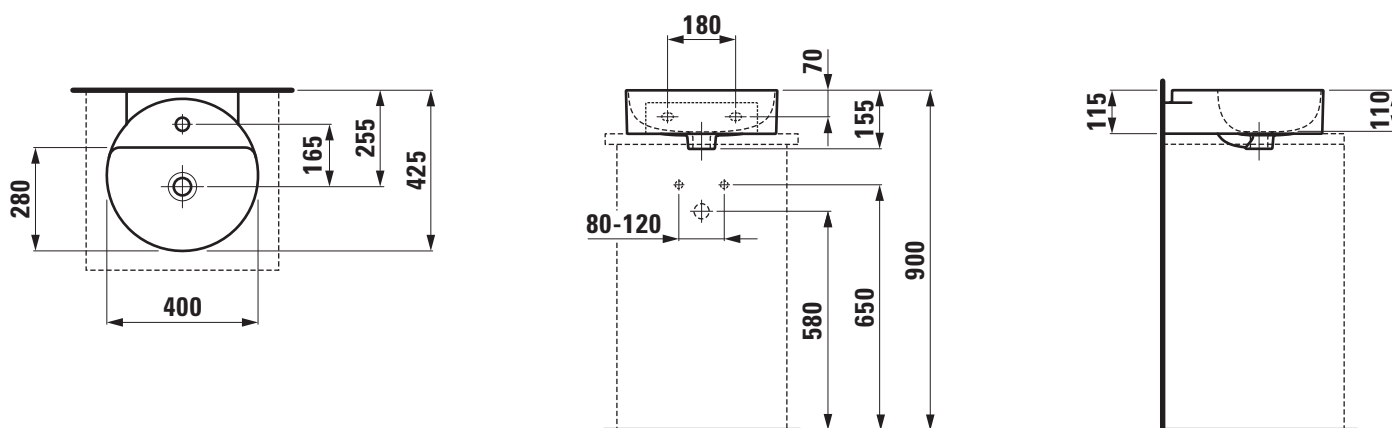
TECHNICAL DATA

Order no.	81328.1
Certified to	EN 31
Dimensions	400 x 425 mm
Inside dimensions of the basin	389 x 274 mm
Basin capacity	5.2 litre (up to bottom line of the overflow)
Specification	Always to be fixed to the wall. Charge 104 – 1 centre tap hole
Special specification	Charge 109 – without tap holes
Weight	8,0 kg
Mounting acc. incl.	Template, order no. 89828.0
Mounting acc. excl.	Mounting set M10 x 140 mm, order no. 89988.2
Colours	see colour table

SPECIFICATION TEXT

Small washbasin undersurface ground Laufen-VAL, SaphirKeramik EN 31
 dimensions 400 x 425 mm
 1 centre tap hole
 Special feature: overflow channel glazed
 Further options / accessories: Surface refinement LCC (only white), without tap holes, bathtubs
 Order no. 81328.1

TECHNICAL DRAWINGS / S 1 : 20



Small washbasin undersurface ground

81628.0



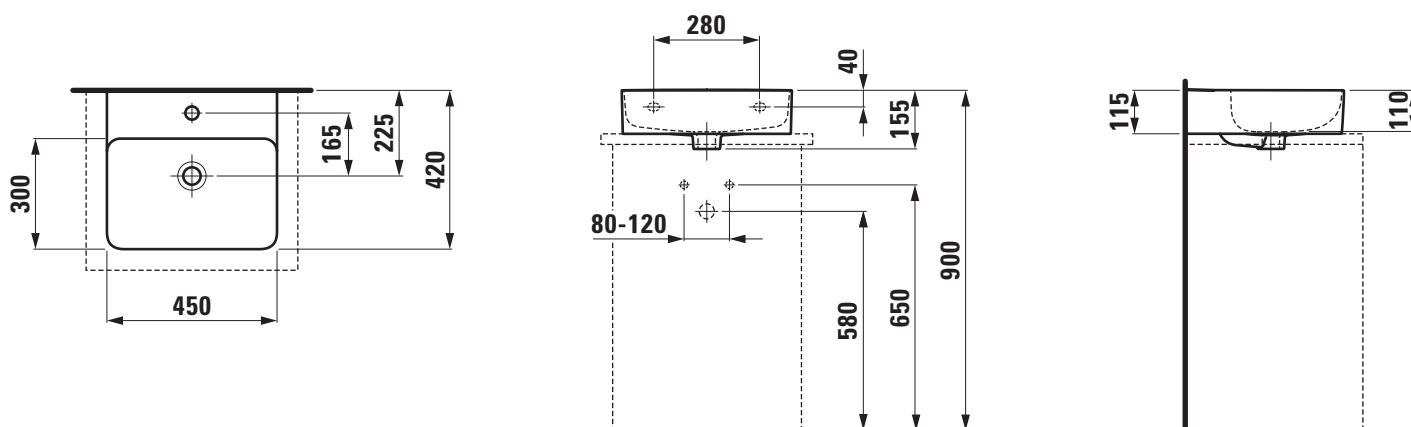
TECHNICAL DATA

Order no.	81628.0
Certified to	EN 31
Dimensions	450 x 420 mm
Inside dimensions of the basin	438 x 294 mm
Basin capacity	exact specification not yet available
Specification	Always to be fixed to the wall. Charge 104 – 1 centre tap hole
Special specification	Charge 109 – without tap holes
Weight	10,0 kg
Mounting acc. incl.	Template, order no. 89628.0 Fastening kit, order no. 89194.0
Mounting acc. excl.	Mounting set M10 x 140 mm, order no. 89988.2
Colours	see colour table

SPECIFICATION TEXT

Small washbasin undersurface ground Laufen-VAL, SaphirKeramik EN 31
 dimensions 450 x 420 mm
 1 centre tap hole
 Special feature: overflow channel glazed
 Further options / accessories: Surface refinement LCC (only white), without tap holes, bathtubs
 Order no. 81628.0

TECHNICAL DRAWINGS / S 1 : 20



Floorstanding WC combination rimless

82428.1



TECHNICAL DATA

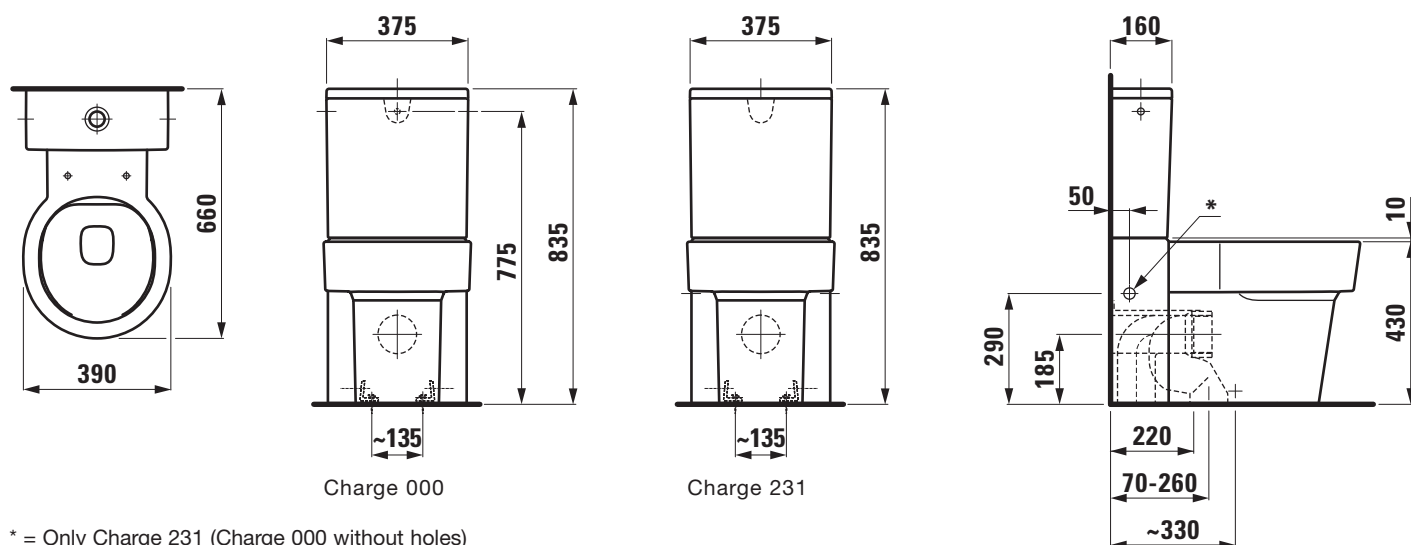
Order no.	82428.1
Certified to	EN 997 / EN 33
Specification	rimless Washdown for 5/3-l-flush Charge 000 – 2 fixing holes, without lateral holes
Special specification	Charge 231 – 2 fixing holes, with lateral holes
Outlet	horizontal VARIO, vertical 70 - 260 mm
Weight	33,0 kg
Accessories excl.	Charge 000 – Cistern, order no. 82928.1, 82928.2 Charge 231 – Cistern, order no. 82928.3, 82928.5 WC seat and cover with automatic lowering system, order no. 89428.1
Mounting acc. incl.	Fixing set, order no. 89175.7

Mounting acc. excl.	for VARIO-outlet 70 - 160 mm LAUFEN-connection, order no. 89009.2 for VARIO-outlet 160 - 260 mm only LAUFEN-connection, order no. 89902.5
Colours	see colour table

SPECIFICATION TEXT

Floorstanding WC pan rimless washdown Laufen-VAL, sanitary ceramic, for cistern, EN 997, EN 33 5/3-l-flush, dimensions 390 x 660 x 440 mm outlet horizontal, VARIO vertical 70 - 260 mm back to wall, concealed fixation, 2 fixing holes
Special feature: rimless, concealed surfaces directing water are fully glazed throughout, vacuum checked
Further options / accessories: Surface refinement LCC (only white), 2 lateral holes (option 231), cistern 82928.1 (option 000), 82928.1 (option 231), WC seat and cover with automatic lowering 89428.1
Order no. 82428.1

TECHNICAL DRAWINGS / S 1 : 20



* = Only Charge 231 (Charge 000 without holes)



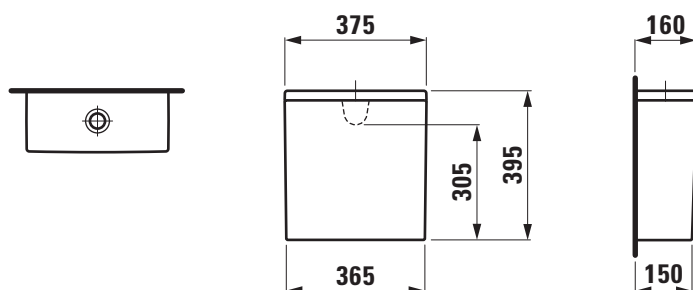
TECHNICAL DATA

Order no.	82928.1
Certified to	EN 14055
matching for	Floorstanding WC pan order no. 82428.1 / Charge 000
Specification	Flushing mechanism Dual-Flush With water condensation insulation: Charge 871 – 5/3-l (6/3-l-flush, 4,5/3-l-flush) Without water condensation insulation: Charge 874 – 5/3-l (6/3-l-flush, 4,5/3-l-flush)
Water inlet	rear, 1/2" brass
Weight	10,0 kg
Mounting acc. incl.	Fastening kit Angle valve for rear water inlet Water inlet hose
Colours	see colour table

SPECIFICATION TEXT

Cistern Laufen-VAL, sanitary ceramic
EN 14055, dimensions 375 x 160 x 395 mm
Dual-Flush 5/3-l (6/3-l-flush, 4,5/3-l-flush)
water inlet rear, 1/2" brass
matching floorstanding WC pan, order no. 82428.1 /option 000
Special feature: with or without water condensation insulation
Order no. 82928.1

TECHNICAL DRAWINGS / S 1 : 20





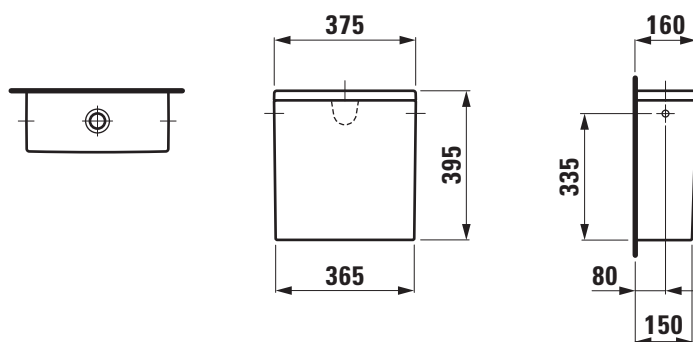
TECHNICAL DATA

Order no.	82928.2
Certified to	EN 14055
matching for	Floorstanding WC pan order no. 82428.1 / Charge 000
Specification	Flushing mechanism Dual-Flush With water condensation insulation: Charge 872 – 5/3-l (6/3-l-flush, 4,5/3-l-flush) Without water condensation insulation: Charge 876 – 5/3-l (6/3-l-flush, 4,5/3-l-flush)
Water inlet	side left, side right, 3/8" brass
Weight	10,0 kg
Mounting acc. incl.	Fastening kit
Mounting acc. excl.	Angle valve for water inlet Water inlet hose
Colours	see colour table

SPECIFICATION TEXT

Cistern Laufen-VAL, sanitary ceramic
EN 14055
dimensions 375 x 160 x 395 mm
Dual-Flush 5/3-l (6/3-l-flush, 4,5/3-l-flush)
water inlet side left, side right, 3/8" brass
matching floorstanding WC pan, order no. 82428.1 /option 000
Special feature: with or without water condensation insulation
Order no. 82928.2

TECHNICAL DRAWINGS / S 1 : 20





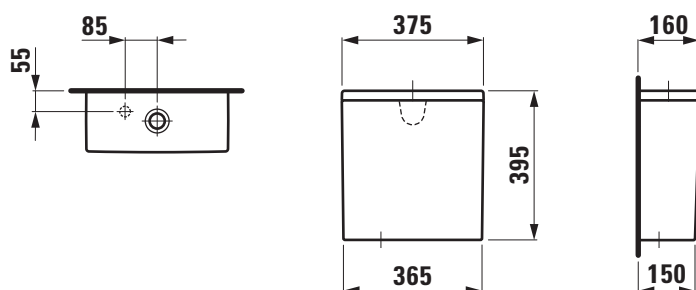
TECHNICAL DATA

Order no.	82928.3
matching for	Floorstanding WC pan order no. 82428.1 / Charge 231
Specification	Flushing mechanism Dual-Flush Without water condensation insulation Charge 873 – 5/3-l (6/3-l-flush, 4,5/3-l-flush)
Water inlet	bottom left, 1/2" plastic
Weight	10,0 kg
Mounting acc. incl.	Fastening kit
Mounting acc. excl.	Angle valve for water inlet Water inlet hose
Colours	see colour table

SPECIFICATION TEXT

Cistern Laufen-VAL, sanitary ceramic
dimensions 375 x 160 x 395 mm
Dual-Flush 5/3-l (6/3-l-flush, 4,5/3-l-flush)
water inlet bottom left, 1/2" plastic
matching floorstanding WC pan, order no. 82428.1 /option 231
Special feature: without water condensation insulation
Order no. 82928.3

TECHNICAL DRAWINGS / S 1 : 20





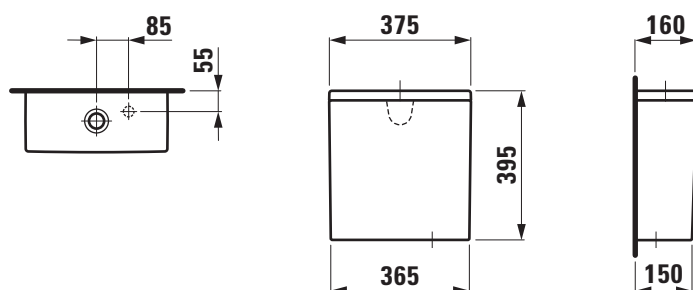
TECHNICAL DATA

Order no.	82928.5
matching for	Floorstanding WC pan order no. 82428.1 / Charge 231
Specification	Flushing mechanism Dual-Flush Without water condensation insulation Charge 873 – 5/3-l (6/3-l-flush, 4,5/3-l-flush)
Water inlet	bottom right, 1/2" plastic
Weight	10,0 kg
Mounting acc. incl.	Fastening kit
Mounting acc. excl.	Angle valve for water inlet Water inlet hose
Colours	see colour table

SPECIFICATION TEXT

Cistern Laufen-VAL, sanitary ceramic
dimensions 375 x 160 x 395 mm
Dual-Flush 5/3-l (6/3-l-flush, 4,5/3-l-flush)
water inlet bottom right, 1/2" plastic
matching floorstanding WC pan, order no. 82428.1 /option 231
Special feature: without water condensation insulation
Order no. 82928.5

TECHNICAL DRAWINGS / S 1 : 20





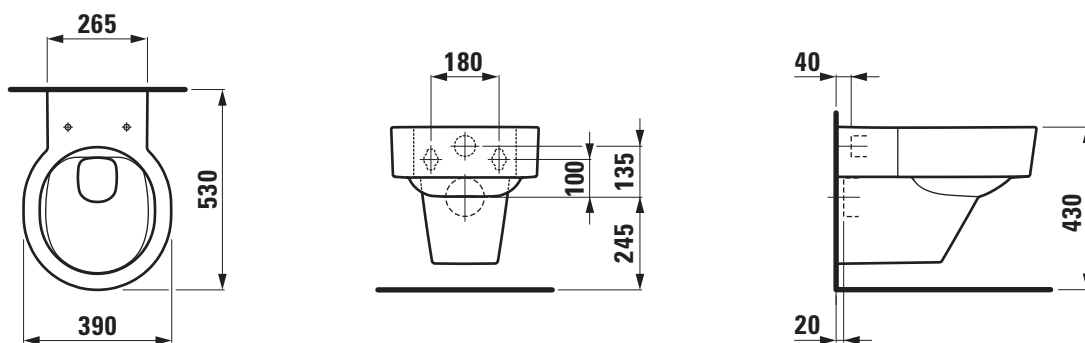
TECHNICAL DATA

Order no.	82028.1
Certified to	EN 997, EN 33
Specification	rimless Washdown for min. 4,5/3-l-flush
Weight	19,5 kg
Accessories excl.	Seat and cover with automatic lowering system, order no. 89428.1
Mounting acc. incl.	laufen EasyFit system M12, order no. 89282.7
Mounting acc. excl.	Stone screw fastening kit M12
Colours	see colour table

SPECIFICATION TEXT

Wallhung WC rimless washdown Laufen-VAL, sanitary ceramic, for concealed cistern
 EN 997, EN 33, min. 4,5/3-l-flush, dimensions 390 x 530 x 340 mm
 concealed trap, concealed fixation
 Special feature: rimless, concealed surfaces directing water are fully glazed throughout, vacuum checked
 Further options / accessories: Surface refinement LCC (only white), WC seat and cover with automatic lowering 89428.1
 Order no. 82028.1

TECHNICAL DRAWINGS / S 1 : 20



Seat and cover with automatic lowering system

89428.1



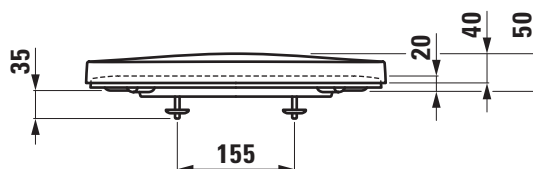
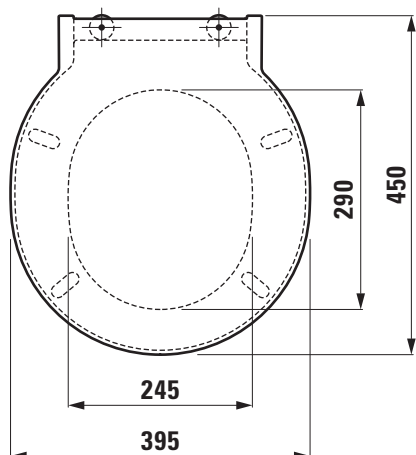
TECHNICAL DATA

Order no.	89428.1
matching for	Floorstanding WC pan rimless, order no. 82428.1 Wallhung WC rimless, order no. 82028.1
Specification	removable with automatic lowering system
Weight	2,0 kg
Mounting acc.	included
Colours	see colour table

SPECIFICATION TEXT

WC seat and cover Laufen-VAL, Duroplast
removable, automatic lowering system
matching floorstanding WC rimless, order no. 82428.1 and wallhung WC
rimless, order no. 82028.1
Order no. 89428.1

TECHNICAL DRAWINGS / S 1 : 10





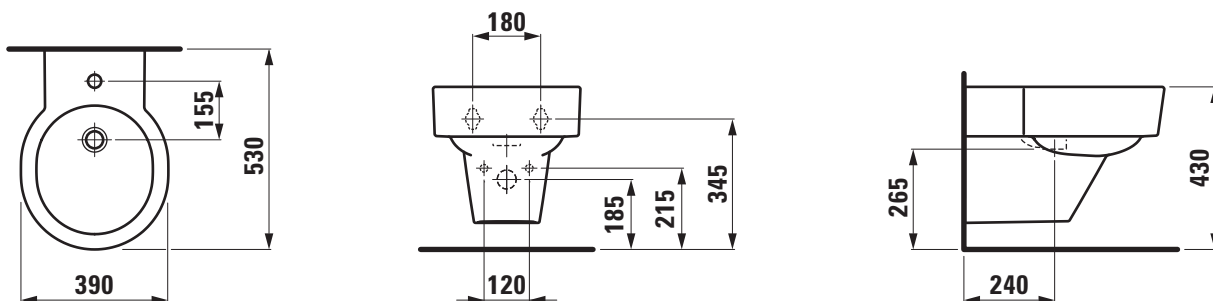
TECHNICAL DATA

Order no.	83028.1
Certified to	EN 35
Specification	Charge 302 – 1 centre tap hole without lateral holes
Weight	17,0 kg
Mounting acc. incl.	laufen EasyFit system M12, order no. 89282.7
Mounting acc. excl.	Siphon D40, order no. 89394.8 Stone screw fastening kit M12
Colours	see colour table

SPECIFICATION TEXT

Wallhung bidet Laufen-VAL, sanitary ceramic
EN 35, dimensions 390 x 530 x 360 mm
1 centre tap hole
concealed trap, concealed fixation
Special feature: overflow channel glazed, vacuum checked
Further options: Surface refinement LCC (only white)
Order no. 83028.1

TECHNICAL DRAWINGS / S 1 : 20



**Siphonic urinal rimless
84028.1**



TECHNICAL DATA

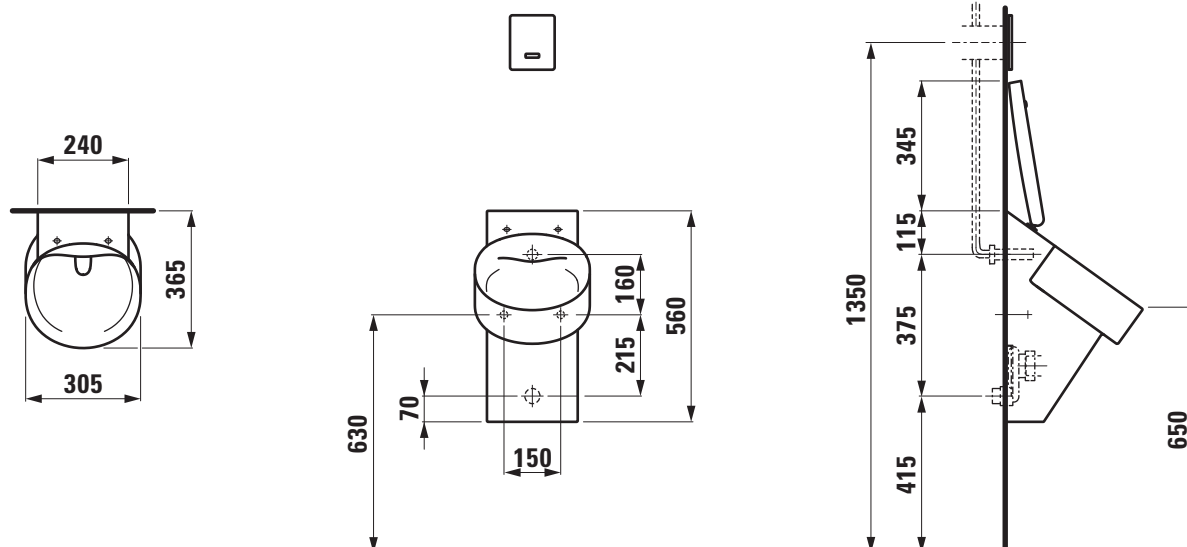
Order no.	84028.1
Certified to	EN 80, EN 13407
matching for	LIS CU2 Concealed frame for urinal without integrated control, order no. 89266.4
Specification	rimless 1-l flushing siphonic urinal Only to be used with cover Only in combination with fixing set, order no. 89280.8
Water inlet	concealed, 2-6 bar
Outlet	horizontal
Flushing	1 l
Flushing rate	minimum 0.3 l/s - 0.6 l/s
Weight	13,5 kg
Accessories excl.	Urinal cover, order no. 89428.2
Mounting acc. incl.	Wall fixing set M8 LAUFEN, order no. 89280.8
Mounting acc. excl.	LIS CU2 horizontal inlet connection, order no. 89009.7 All siphons has to be used in combination with the outlet connection pipe (order no. 89497.3) 1-litre siphon with horizontal outlet DN 50 (standard Europe, except CH and UK), order no. 89418.1

Mounting acc. excl.	Stone screw fixing set M12 Changing set LAUFEN Stone screw fixing set M8 Adaption set for stone screws M10, order no. 89281.6 Adaption set for stone screws M12, order no. 89281.4
Colours	see colour table

SPECIFICATION TEXT

Siphonic urinal rimless Laufen-VAL, sanitary ceramic EN 80, EN 13407
dimensions 305 x 365 x 560 mm (with cover 905 mm)
only to be used with cover
1-l flush, water inlet concealed, outlet horizontal, flushing rate minimum 0.3 l/s - 0.6 l/s
Special feature: Surface refinement LCC (only white), rimless, vacuum and performance tested
Further options / accessories: LIS CU2 horizontal inlet connection, 1-litre siphon with horizontal outlet DN 50 (standard Europe, except CH and UK), urinal cover, LIS CU2 concealed frame for urinal without integrated control
Order no. 84028.1

TECHNICAL DRAWINGS / S 1 : 20



Urinal cover with automatic lowering system

89428.2



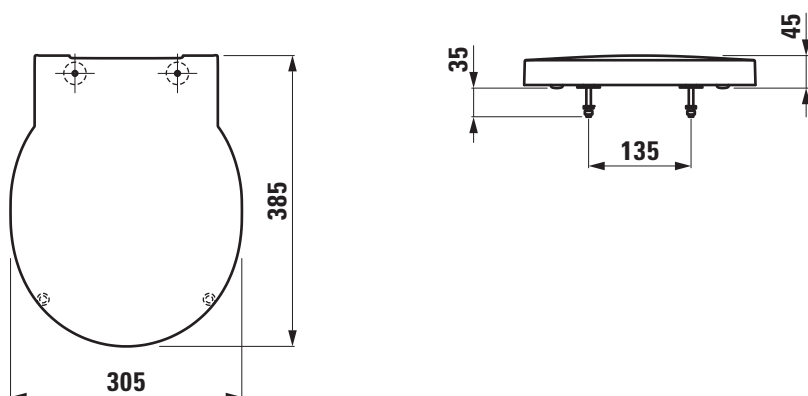
TECHNICAL DATA

Order no.	89428.2
matching for	Siphonic urinal, order no. 84028.1
Specification	removable with automatic lowering system
Weight	0,9 kg
Mounting acc.	included
Colours	see colour table

SPECIFICATION TEXT

Urinal cover Laufen-VAL, Duroplast
removable, automatic lowering system
matching urinal, order no. 84028.1
Order no. 89428.2

TECHNICAL DRAWINGS / S 1 : 10



**Siphonic urinal rimless
84028.4**

TECHNICAL DATA

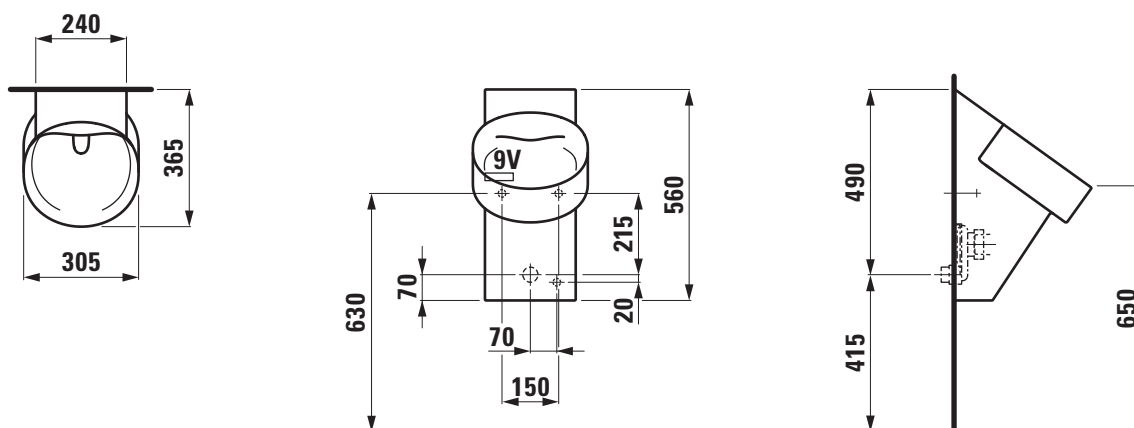
Order no.	84028.4
Certified to	EN 80, EN 13407, EN 15901
matching for	LIS CU3 Concealed frame for urinal with integrated control, order no. 89266.5
Specification	Rimless 1-l flushing siphonic urinal Electronic control with Bluetooth for battery (6x AA 1,5 V) pre-assembled Only in combination with fixing set, order no. 89280.8
Water inlet	concealed, 2-6 bar
Outlet	horizontal
Flushing	minimum 0.5 l/s - 3.0 l/s
Flushing rate	minimum 0.3 l/s - 0.6 l/s
Weight	13,5 kg
Mounting acc. incl.	Electronic control pre-assembled Wall fixing set M8 LAUFEN, order no. 89280.8
Mounting acc. excl.	All siphons has to be used in combination with the outlet connection pipe (order no. 89497.3) 1-litre siphon with horizontal outlet DN 50 (standard Europe, except CH and UK), order no. 89418.1

Mounting acc. excl.	Stone screw fixing set M12 Changing set LAUFEN Stone screw fixing set M8 Adaption set for stone screws M10, order no. 89281.6 Adaption set for stone screws M12, order no. 89281.4
---------------------	--

Colours see colour table

SPECIFICATION TEXT

Siphonic urinal rimless Laufen-VAL, sanitary ceramic electronic controlled with Bluetooth
EN 80, EN 13407, EN 15901
dimensions 305 x 365 x 560 mm
minimum 0.5 l - 3.0 l flush, water inlet concealed, outlet horizontal, flushing rate minimum 0.3 l/s - 0.6 l/s
electronic control for battery (6x AA 1,5 V) pre-assembled,
Special feature: Surface refinement LCC (only white), rimless, vacuum and performance tested
Further options / accessories: 1-litre siphon with horizontal outlet DN 50 (standard Europe, except CH and UK), LIS CU3 concealed frame for urinal with integrated control
Order no. 84028.4

TECHNICAL DRAWINGS / S 1 : 20


**Siphonic urinal rimless
84028.6**



TECHNICAL DATA

Order no.	84028.6
Certified to	EN 80, EN 13407, EN 15901
matching for	LIS CU3 Concealed frame for urinal with integrated control, order no. 89266.5
Specification	Rimless 1-l flushing siphonic urinal Electronic control with Bluetooth for 230 V pre-assembled Only in combination with fixing set, order no. 89280.8
Water inlet	concealed, 2-6 bar
Outlet	horizontal
Flushing	minimum 0.5 l/s - 3.0 l/s
Flushing rate	minimum 0.3 l/s - 0.6 l/s
Weight	13,5 kg
Mounting acc. incl.	Electronic control 230 V Wall fixing set M8 LAUFEN, order no. 89280.8
Mounting acc. excl.	All siphons has to be used in combination with the outlet connection pipe (order no. 89497.3) 1-litre siphon with horizontal outlet DN 50 (standard Europe, except CH and UK), order no. 89418.1

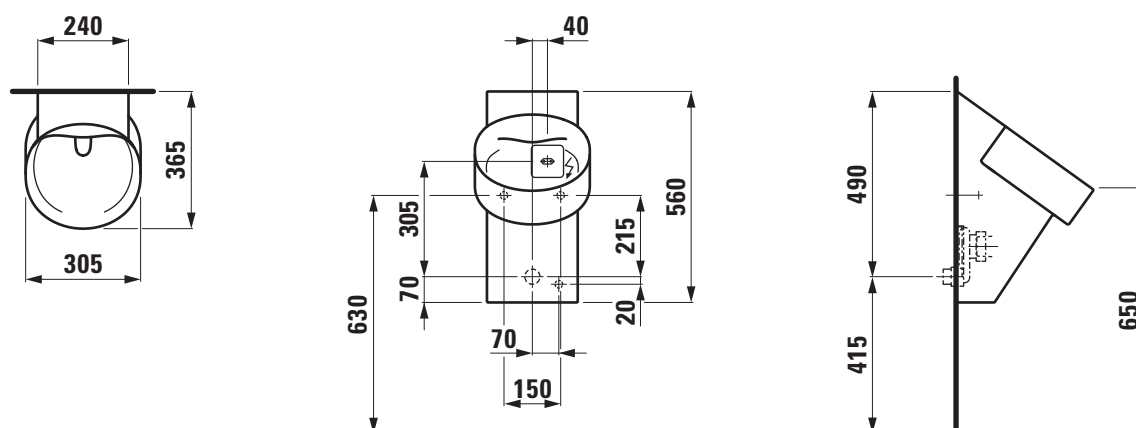
Mounting acc. excl.	Stone screw fixing set M12 Changing set LAUFEN Stone screw fixing set M8 Adaption set for stone screws M10, order no. 89281.6 Adaption set for stone screws M12, order no. 89281.4
---------------------	--

Colours see colour table

SPECIFICATION TEXT

Siphonic urinal rimless Laufen-VAL, sanitary ceramic electronic controlled with Bluetooth
EN 80, EN 13407, EN 15901
dimensions 305 x 365 x 560 mm
minimum 0.5 l - 3.0 l flush, water inlet concealed, outlet horizontal, flushing rate minimum 0.3 l/s - 0.6 l/s
electronic control 230 V
Special feature: Surface refinement LCC (only white), rimless, vacuum and performance tested
Further options / accessories: 1-litre siphon with horizontal outlet DN 50 (standard Europe, except CH and UK), LIS CU3 concealed frame for urinal with integrated control
Order no. 84028.6

TECHNICAL DRAWINGS / S 1 : 20



**Siphonic urinal rimless
84028.5**



TECHNICAL DATA

Order no.	84028.5
Certified to	EN 80, EN 13407
matching for	LIS CU2 Concealed frame for urinal without integrated control, order no. 89266.4
Specification	Rimless 1-l flushing siphonic urinal Only in combination with fixing set, order no. 89280.8
Water inlet	concealed, 2-6 bar
Outlet	horizontal
Flushing	minimum 0.5 l/s - 3.0 l/s
Flushing rate	minimum 0.3 l/s - 0.6 l/s
Weight	13,5 kg
Mounting acc. incl.	Wall fixing set M8 LAUFEN, order no. 89280.8
Mounting acc. excl.	LIS CU2 horizontal inlet connection, order no. 89009.7 All siphons has to be used in combination with the outlet connection pipe (order no. 89497.3) 1-litre siphon with horizontal outlet DN 50 (standard Europe, except CH and UK), order no. 89418.1

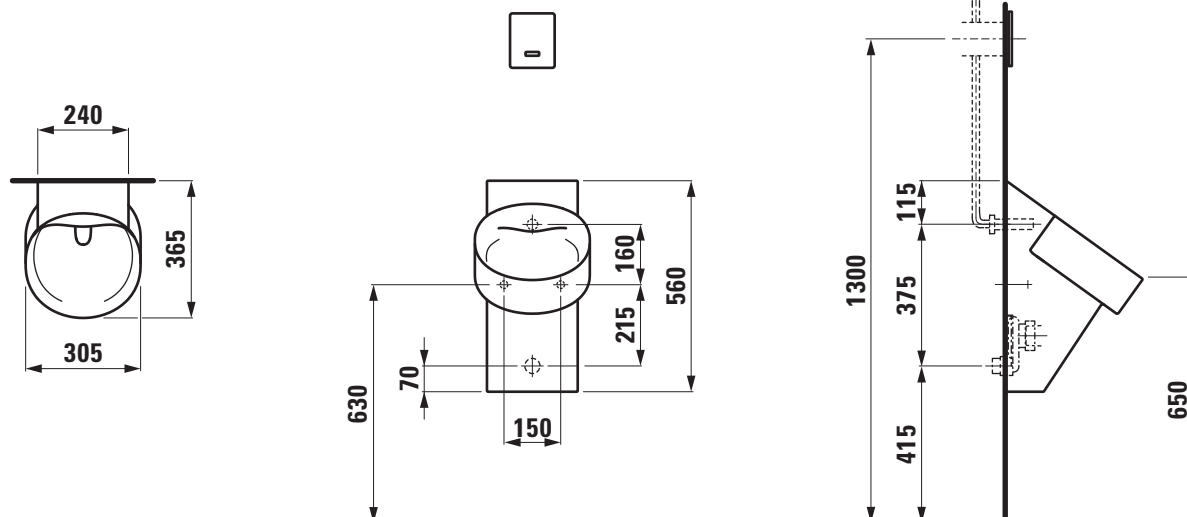
Mounting acc. excl.	Stone screw fixing set M12 Changing set LAUFEN Stone screw fixing set M8 Adaption set for stone screws M10, order no. 89281.6 Adaption set for stone screws M12, order no. 89281.4
---------------------	--

Colours see colour table

SPECIFICATION TEXT

Siphonic urinal rimless Laufen-VAL, sanitary ceramic
EN 80, EN 13407
dimensions 305 x 365 x 560 mm
minimum 0.5 l - 3.0 l flush, water inlet concealed, outlet horizontal, flushing rate minimum 0.3 l/s - 0.6 l/s
Special feature: Surface refinement LCC (only white), rimless, vacuum and performance tested
Further options / accessories: LIS CU2 horizontal inlet connection, 1-litre siphon with horizontal outlet DN 50 (standard Europe, except CH and UK), LIS CU2 concealed frame for urinal without integrated control
Order no. 84028.5

TECHNICAL DRAWINGS / S 1 : 20





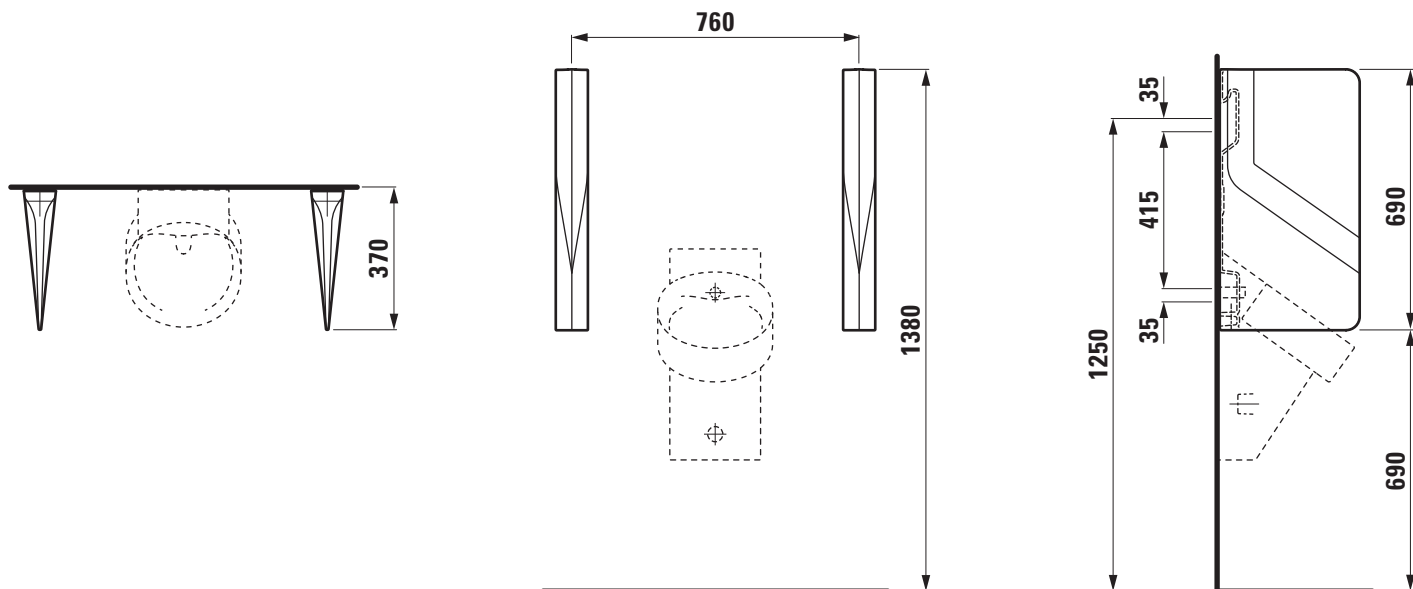
TECHNICAL DATA

Order no.	84728.0
Weight	8,8 kg
Mounting acc. incl.	Fixing device, order no. 89860.0
Colours	see colour table

SPECIFICATION TEXT

Urinal division Laufen-VAL, sanitary ceramic
 dimensions 370 x 690 mm
 Order no. 84728.0

TECHNICAL DRAWINGS / S 1 : 20



SET VAL
Tray round
87028.1



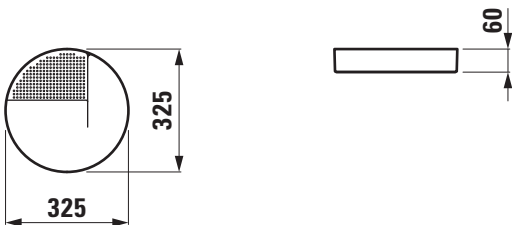
TECHNICAL DATA

Order no.	87028.1
Dimensions	Ø 325 mm
Specification	with storage tray with different levels and divisions
Weight	2,5 kg
Colours	see colour table

SPECIFICATION TEXT

Tray round Laufen-VAL, SaphirKeramik
dimensions Ø 325 mm, round
Further options / accessories: Surface refinement LCC (only white)
Order no. 87028.1

TECHNICAL DRAWINGS / S 1 : 20

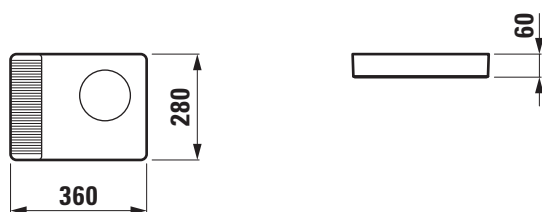


**TECHNICAL DATA**

Order no.	87028.2
Dimensions	360 x 280 mm
Specification	with storage tray with different levels and divisions
Weight	3,2 kg
Colours	see colour table

SPECIFICATION TEXT

Tray rectangular Laufen-VAL, SaphirKeramik
dimensions 360 x 280 mm
Further options / accessories: Surface refinement LCC (only white)
Order no. 87028.2

TECHNICAL DRAWINGS / S 1 : 20

**Toilet roll holder, right
87228.0**



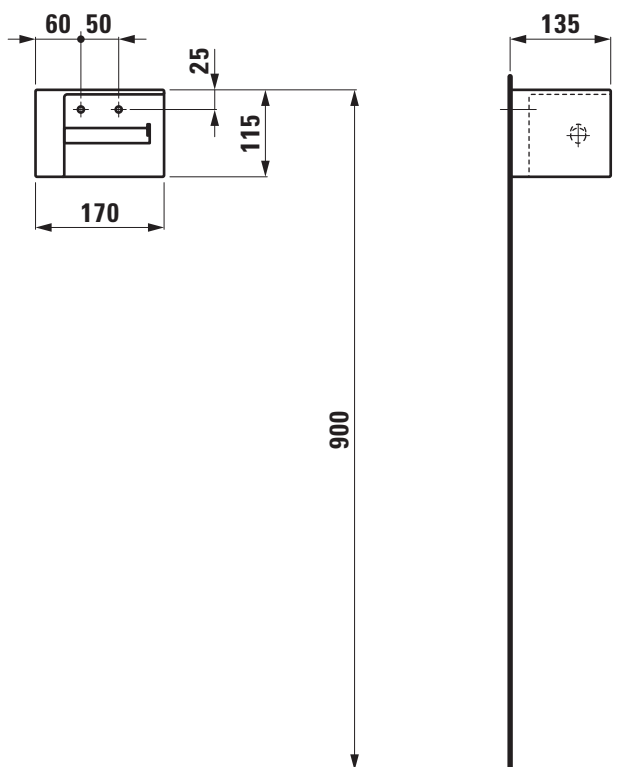
TECHNICAL DATA

Order no.	87228.0
Dimensions	170 x 135 x 115 mm
Weight	1,4 kg
Mounting acc. incl.	Roll holder and fixing set, order no. 89697.8 Mounting instruction, order no. 89828.5
Colours	see colour table

SPECIFICATION TEXT

Toilet roll holder, right Laufen-VAL, SaphirKeramik
dimensions 170 x 135 x 115 mm
Order no. 87228.0

TECHNICAL DRAWINGS / S 1 : 10





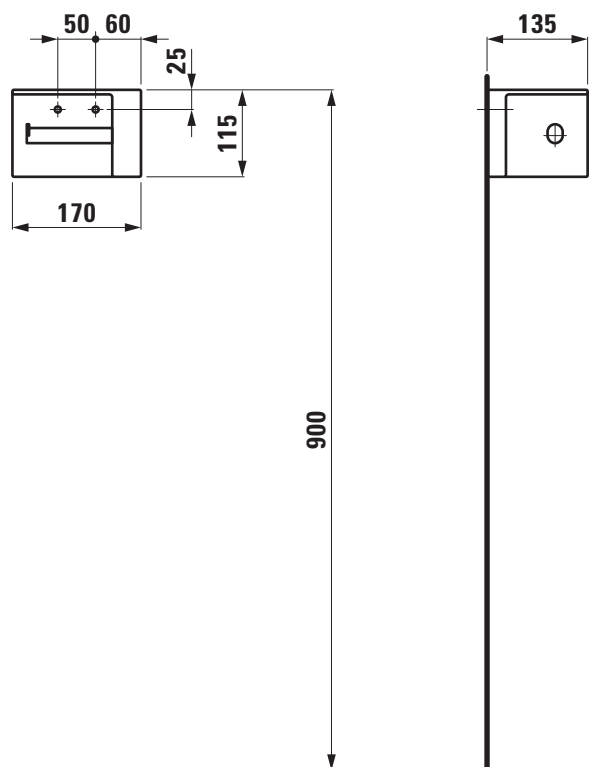
TECHNICAL DATA

Order no.	87228.1
Dimensions	170 x 135 x 115 mm
Weight	1,4 kg
Mounting acc. incl.	Roll holder and fixing set, order no. 89697.8 Mounting instruction, order no. 89828.5
Colours	see colour table

SPECIFICATION TEXT

Toilet roll holder, left Laufen-VAL, SaphirKeramik
 dimensions 170 x 135 x 115 mm
 Order no. 87228.1

TECHNICAL DRAWINGS / S 1 : 10

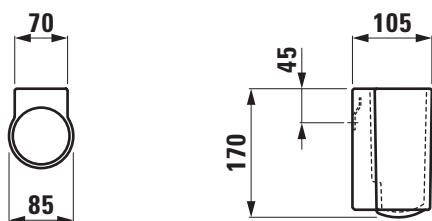


**TECHNICAL DATA**

Order no.	87228.2
Dimensions	85 x 105 x 170 mm
Weight	
Accessories incl..	Toilet brush, order no. 89485.5
Mounting acc. incl.	Fixing set, order no. 89685.5
Colours	see colour table

SPECIFICATION TEXT

Toilet brush holder Laufen-VAL, sanitary ceramic
incl. toilet brush, order no. 89485.5
dimensions 85 x 105 x 170 mm
Order no. 87228.2

TECHNICAL DRAWINGS / S 1 : 10

Countertop basin / cutable
81670.1



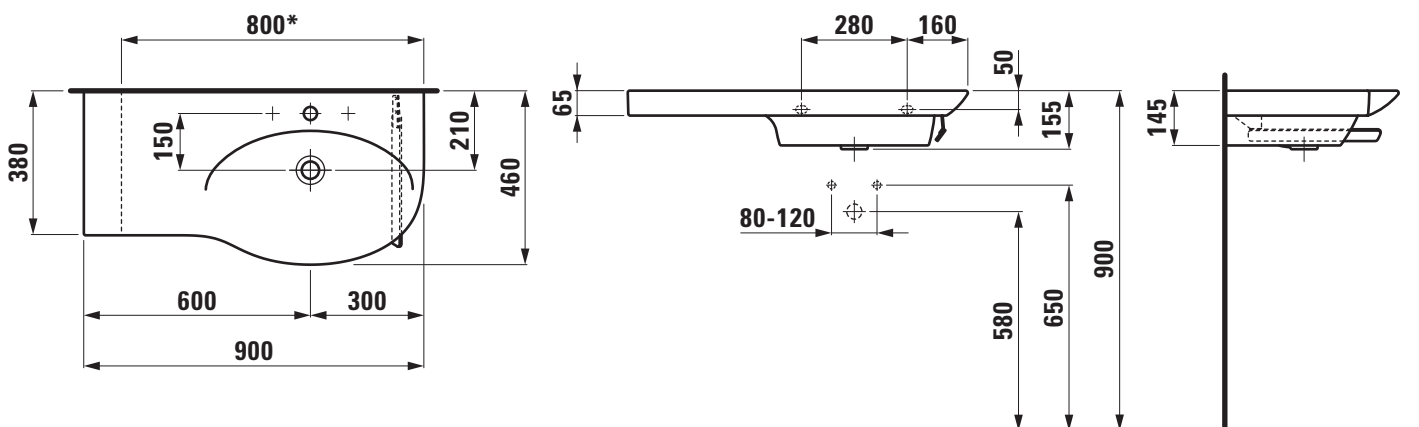
TECHNICAL DATA

Order no.	81670.1
Certified to	EN 14688
Dimensions	900 x 380/460 mm
Inside dimensions of the basin	700 x 350 mm
Specification	Always to be fixed to the wall. Basin right, ceramic shelf left Charge 104 – 1 centre tap hole, with overflow
Special specification	Charge 108 – 3 tap holes, with overflow Charge 135 – 1 centre tap hole, with overflow, cut one-sided to 800 mm
Weight	19,0 kg
Accessories excl.	Towel rail right, order no. 38170.8
Mounting acc. excl.	Mounting set M10 x 140 mm, order no. 89988.2
Otherwise	When ordering the cut version use the order form for cutting
Colours	see colour table

SPECIFICATION TEXT

Cutable countertop basin Laufen-PALACE, sanitary ceramic, EN 14688, dimensions 900 x 380/460 mm, asymmetric basin right, 1 centre tap hole
Special feature: overflow channel glazed, cuttable to 800 mm, integrated shelf left
Further options / accessories: 3 tap holes, towel rail right 38170.8, furniture
Order no. 81670.1

TECHNICAL DRAWINGS / S 1 : 20



* = minimum measure for cutting



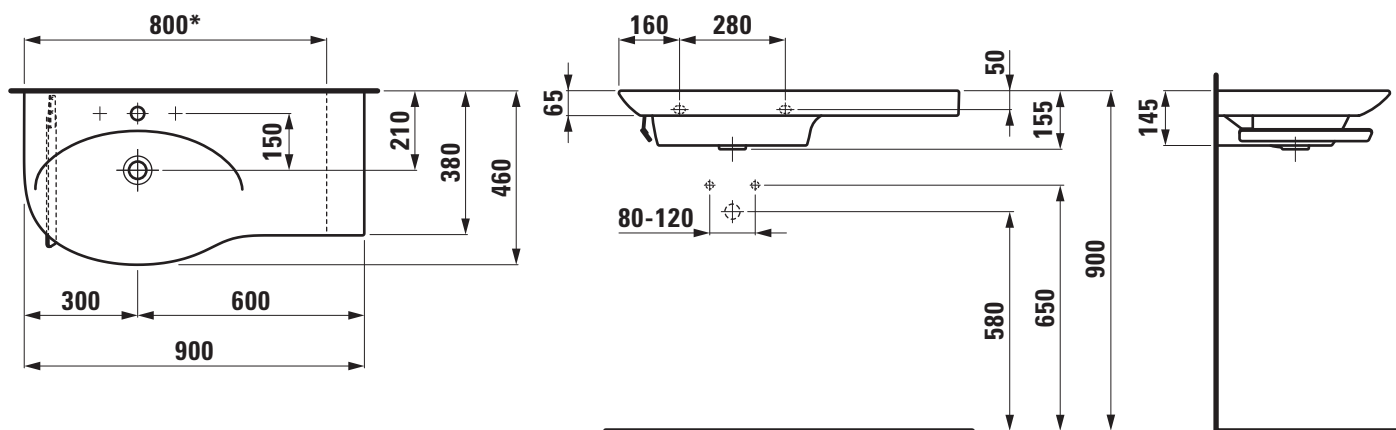
TECHNICAL DATA

Order no.	81670.2
Certified to	EN 14688
Dimensions	900 x 380/460 mm
Inside dimensions of the basin	700 x 350 mm
Specification	Always to be fixed to the wall. Basin left, ceramic shelf right Charge 104 – 1 centre tap hole, with overflow
Special specification	Charge 108 – 3 tap holes, with overflow Charge 135 – 1 centre tap hole, with overflow, cut one-sided to 800 mm
Weight	19,0 kg
Accessories excl.	Towel rail left, order no. 8170.7
Mounting acc. excl.	Mounting set M10 x 140 mm, order no. 89988.2
Otherwise	When ordering the cut version use the order form for cutting
Colours	see colour table

SPECIFICATION TEXT

Cutable countertop basin Laufen-PALACE, sanitary ceramic, EN 14688, dimensions 900 x 380/460 mm, asymmetric basin left, 1 centre tap hole
Special feature: overflow channel glazed, cuttable to 800 mm, integrated shelf right
Further options / accessories: 3 tap holes, towel rail left 8170.7, furniture
Order no. 81670.2

TECHNICAL DRAWINGS / S 1 : 20



* = minimum measure for cutting

Countertop basin / cutable
81670.5



TECHNICAL DATA

Order no.	81670.5
Certified to	EN 14688
Dimensions	1200 x 380/460 mm
Inside dimensions of the basin	700 x 350 mm
Specification	Always to be fixed to the wall. Basin right, ceramic shelf left Charge 104 – 1 centre tap hole, with overflow
Special specification	Charge 108 – 3 tap holes, with overflow Charge 135 – 1 centre tap hole, with overflow, cut one-sided to 900 mm
Weight	35,0 kg
Accessories excl.	Towel rail right, order no. 38170.8
Mounting acc. excl.	2x Mounting set M10 x 140 mm, order no. 89988.2

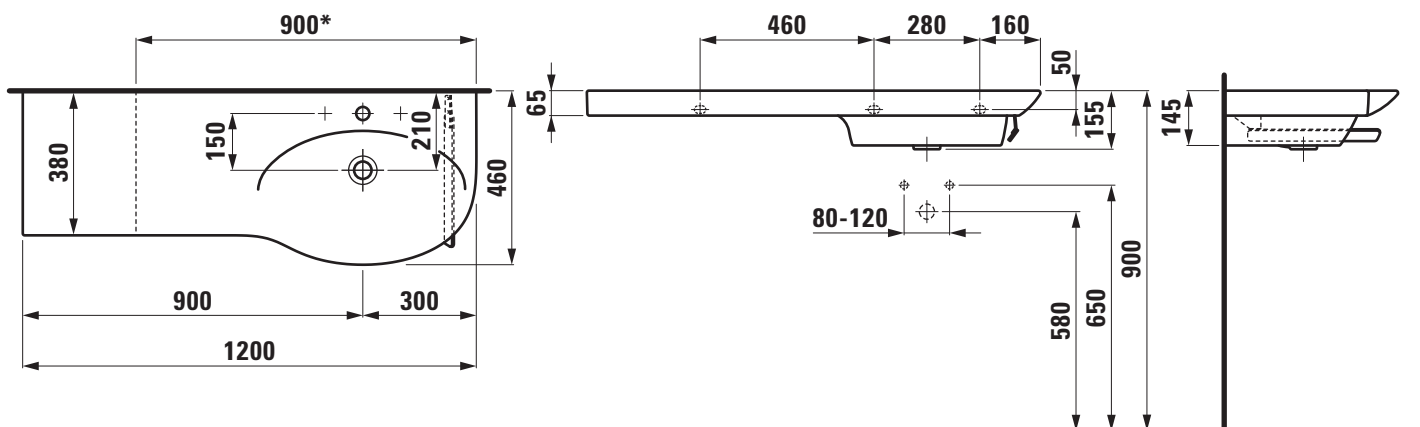
Otherwise When ordering the cut version use the order form for cutting

Colours see colour table

SPECIFICATION TEXT

Cutable countertop basin Laufen-PALACE, sanitary ceramic, EN 14688, dimensions 1200 x 380/460 mm, asymmetric basin right, 1 centre tap hole
Special feature: overflow channel glazed, cuttable to 900 mm, integrated shelf left
Further options / accessories: 3 tap holes, 3 tap holes distance 8 inches with overflow, towel rail right 38170.8, furniture
Order no. 81670.5

TECHNICAL DRAWINGS / S 1 : 20



* = minimum measure for cutting



TECHNICAL DATA

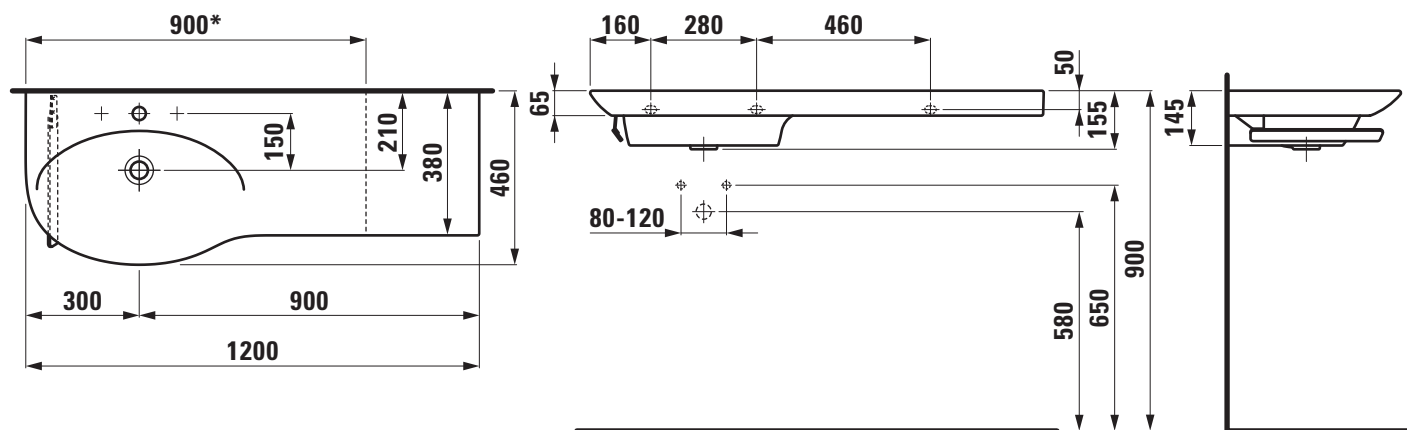
Order no.	81670.6
Certified to	EN 14688
Dimensions	1200 x 380/460 mm
Inside dimensions of the basin	700 x 350 mm
Specification	Always to be fixed to the wall. Basin left, ceramic shelf right Charge 104 – 1 centre tap hole, with overflow
Special specification	Charge 108 – 3 tap holes, with overflow Charge 135 – 1 centre tap hole, with overflow, cut one-sided to 900 mm
Weight	35,0 kg
Accessories excl.	Towel rail left, order no. 8170.7
Mounting acc. excl.	2x Mounting set M10 x 140 mm, order no. 89988.2

Otherwise	When ordering the cut version use the order form for cutting
Colours	see colour table

SPECIFICATION TEXT

Cutable countertop basin Laufen-PALACE, sanitary ceramic, EN 14688, dimensions 1200 x 380/460 mm, asymmetric basin left, 1 centre tap hole
Special feature: overflow channel glazed, cuttable to 900 mm, integrated shelf right
Further options / accessories: 3 tap holes, 3 tap holes distance 8 inches with overflow, towel rail left 8170.7, furniture
Order no. 81670.6

TECHNICAL DRAWINGS / S 1 : 20



* = minimum measure for cutting

SET PALACE

Countertop basin 81170.2



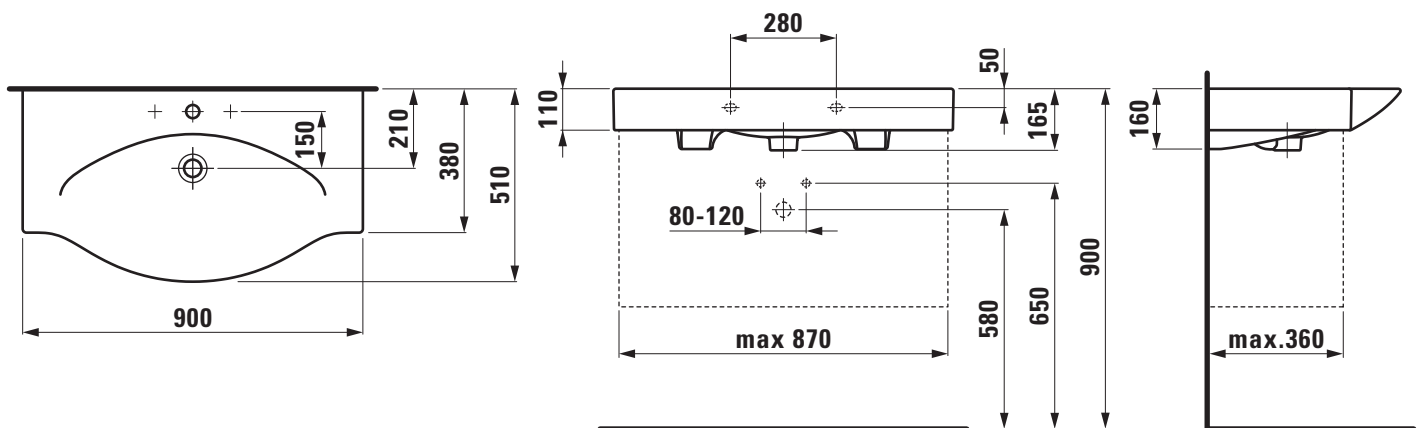
TECHNICAL DATA

Order no.	81170.2
Certified to	EN 14688 / EN 31
Dimensions	900 x 380/510 mm
Inside dimensions of the basin	700 x 350 mm
Specification	Always to be fixed to the wall. Charge 104 – 1 centre tap hole, with overflow
Special specification	Charge 108 – 3 tap holes, with overflow Charge 136 – 3 tap holes, distance 8 inches, with overflow
Weight	18,0 kg
Mounting acc. excl.	Mounting set M10 x 140 mm, order no. 89988.2
Colours	see colour table

SPECIFICATION TEXT

Countertop basin Laufen-PALACE, sanitary ceramic
EN 14688 / EN 31, dimensions 900 x 380/510 mm, symmetric
1 centre tap hole
Special feature: overflow channel glazed, integrated shelves
Further options / accessories: 3 tap holes, 3 tap holes distance 8 inches with overflow, furniture
Order no. 81170.2

TECHNICAL DRAWINGS / S 1 : 20



SET PALACE

Countertop basin

81270.2



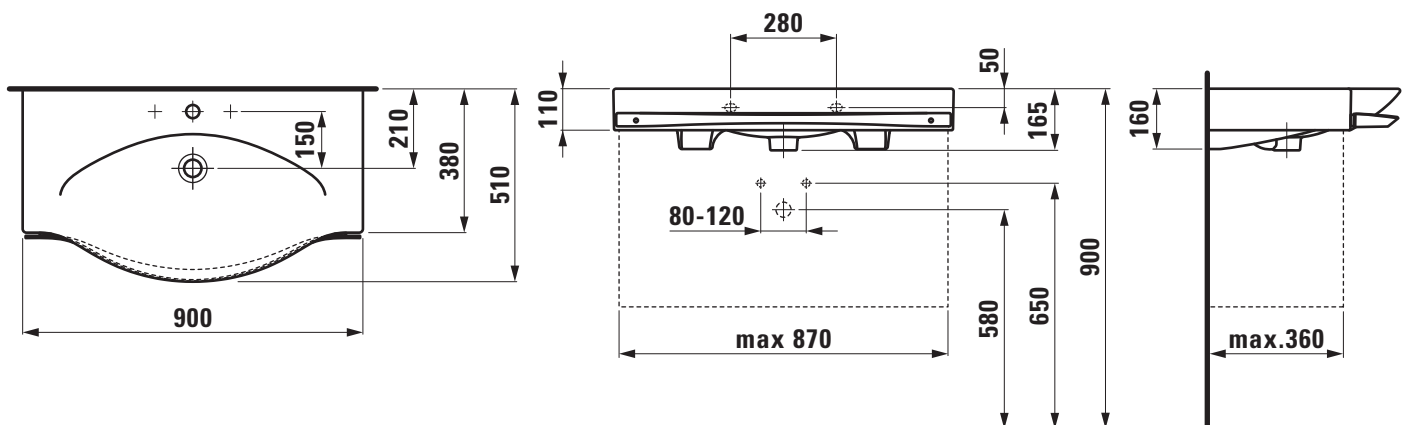
TECHNICAL DATA

Order no.	81270.2
Certified to	EN 14688 / EN 31
Dimensions	900 x 380/510 mm
Inside dimensions of the basin	700 x 350 mm
Specification	Always to be fixed to the wall. incl. towel rail order no. 8170.4 Charge 104 – 1 centre tap hole, with overflow
Special specification	Charge 108 – 3 tap holes, with overflow Charge 136 – 3 tap holes, distance 8 inches, with overflow
Weight	18,0 kg
Mounting acc. excl.	Mounting set M10 x 140 mm, order no. 89988.2
Colours	see colour table

SPECIFICATION TEXT

Countertop basin Laufen-PALACE, sanitary ceramic, EN 14688 / EN 31, dimensions 900 x 380/510 mm, symmetric, 1 centre tap hole
Special feature: overflow channel glazed, integrated shelves, with towel rail
Further options / accessories: 3 tap holes, 3 tap holes distance 8 inches with overflow, furniture
Order no. 81270.2

TECHNICAL DRAWINGS / S 1 : 20



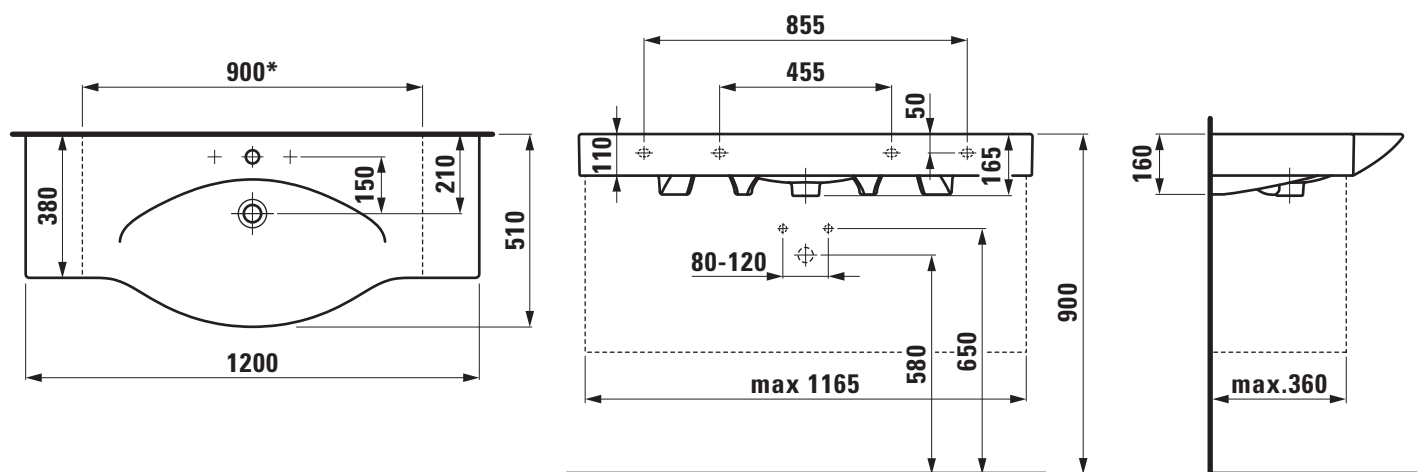


TECHNICAL DATA

Order no.	81170.4
Certified to	EN 14688
Dimensions	1200 x 380/510 mm
Inside dimensions of the basin	700 x 350 mm
Specification	Always to be fixed to the wall. Cut one-sided to 900 mm Charge 104 – 1 centre tap hole, with overflow
Special specification	Charge 108 – 3 tap holes, with overflow Charge 136 – 3 tap holes, distance 8 inches, with overflow
Weight	32,5 kg
Mounting acc. excl.	2x Mounting set M10 x 140 mm, order no. 89988.2
Otherwise	When ordering the cut version use the order form for cutting
Colours	see colour table

SPECIFICATION TEXT
 Cutable countertop basin Laufen-PALACE, sanitary ceramic, EN 14688, dimensions 1200 x 380/510 mm, symmetric, 1 centre tap hole
 Special feature: overflow channel glazed, cutable to 900 mm, integrated shelves
 Further options / accessories: 3 tap holes, 3 tap holes distance 8 inches with overflow, furniture
 Order no. 81170.4

TECHNICAL DRAWINGS / S 1 : 20



* = minimum measure for cutting

Countertop basin / cutable
81270.4



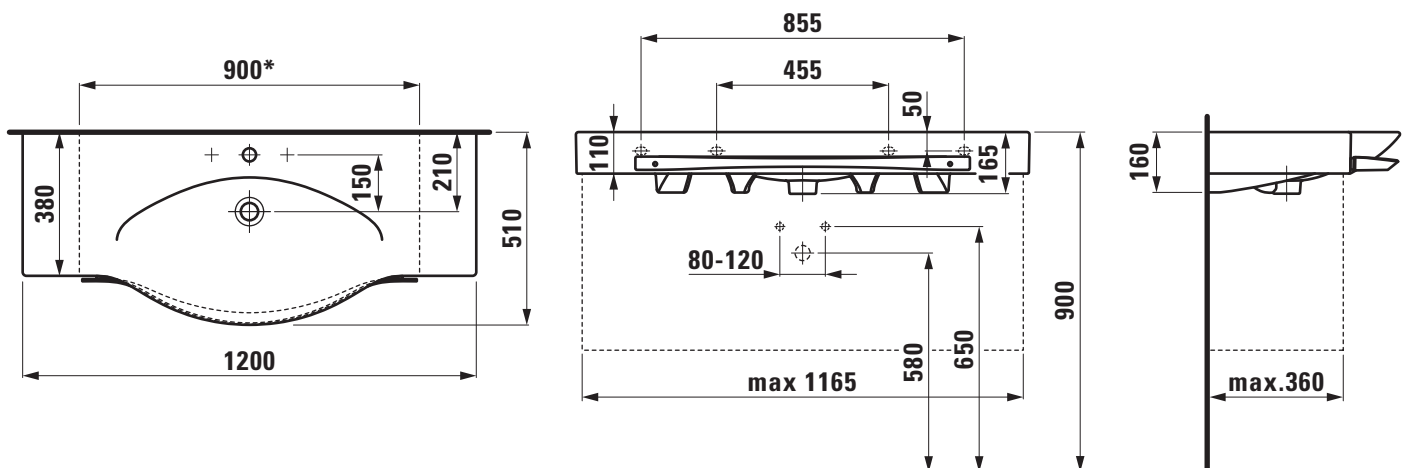
TECHNICAL DATA

Order no.	81270.4
Certified to	EN 14688
Dimensions	1200 x 380/510 mm
Inside dimensions of the basin	700 x 350 mm
Specification	Always to be fixed to the wall. Cut one-sided to 900 mm incl. towel rail order no. 8170.4 Charge 104 – 1 centre tap hole, with overflow
Special specification	Charge 108 – 3 tap holes, with overflow Charge 136 – 3 tap holes, distance 8 inches, with overflow
Weight	32,5 kg
Mounting acc. excl.	2x Mounting set M10 x 140 mm, order no. 89988.2
Otherwise	When ordering the cut version use the order form for cutting
Colours	see colour table

SPECIFICATION TEXT

Cutable countertop basin Laufen-PALACE, sanitary ceramic, EN 14688, dimensions 1200 x 380/510 mm, symmetric, 1 centre tap hole
Special feature: overflow channel glazed, cutable to 900 mm, integrated shelves, with towel rail
Further options / accessories: 3 tap holes, 3 tap holes distance 8 inches with overflow, furniture
Order no. 81270.4

TECHNICAL DRAWINGS / S 1 : 20



* = minimum measure for cutting

Countertop basin / cutable
81170.6



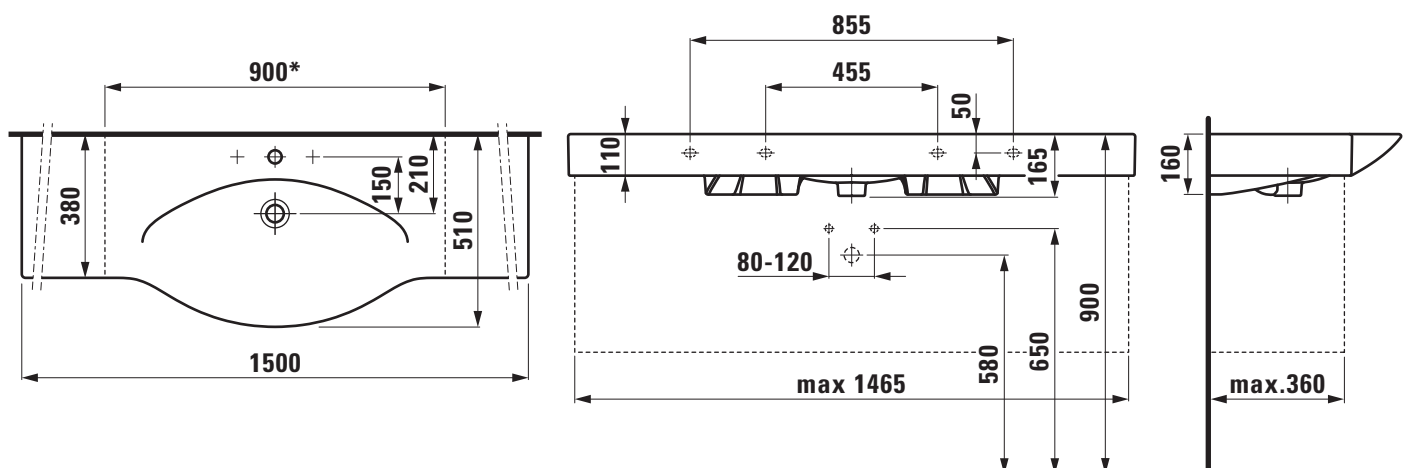
TECHNICAL DATA

Order no.	81170.6
Certified to	EN 14688
Dimensions	1500 x 380/510 mm
Inside dimensions of the basin	700 x 350 mm
Specification	Always to be fixed to the wall. Cut one-sided to 900 mm Charge 104 – 1 centre tap hole, with overflow
Special specification	Charge 108 – 3 tap holes, with overflow Charge 136 – 3 tap holes, distance 8 inches, with overflow
Weight	35,0 kg
Mounting acc. excl.	2x Mounting set M10 x 140 mm, order no. 89988.2
Otherwise	When ordering the cut version use the order form for cutting
Colours	see colour table

SPECIFICATION TEXT

Cutable countertop basin Laufen-PALACE, sanitary ceramic, EN 14688, dimensions 1500 x 380/510 mm, symmetric, 1 centre tap hole
Special feature: overflow channel glazed, cutable to 900 mm, integrated shelves
Further options / accessories: 3 tap holes, 3 tap holes distance 8 inches with overflow, furniture
Order no. 81170.6

TECHNICAL DRAWINGS / S 1 : 20



* = minimum measure for cutting



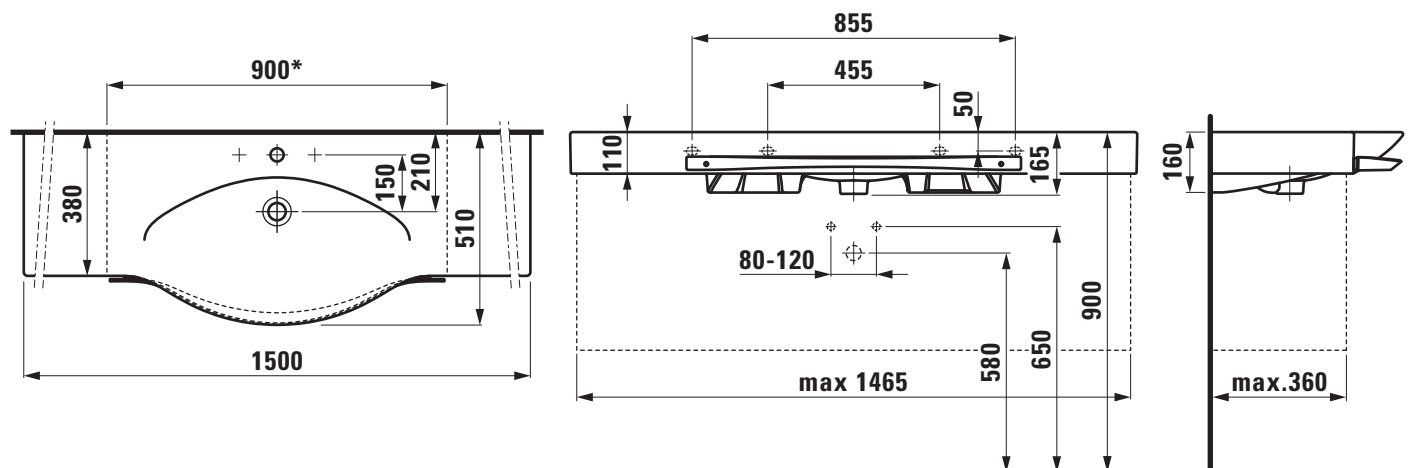
TECHNICAL DATA

Order no.	81270.6
Certified to	EN 14688
Dimensions	1500 x 380/510 mm
Inside dimensions of the basin	700 x 350 mm
Specification	Always to be fixed to the wall. Cut one-sided to 900 mm incl. towel rail order no. 8170.4 Charge 104 – 1 centre tap hole, with overflow
Special specification	Charge 108 – 3 tap holes, with overflow Charge 136 – 3 tap holes, distance 8 inches, with overflow
Weight	35,0 kg
Mounting acc. excl.	2x Mounting set M10 x 140 mm, order no. 89988.2
Otherwise	When ordering the cut version use the order form for cutting
Colours	see colour table

SPECIFICATION TEXT

Cutable countertop basin Laufen-PALACE, sanitary ceramic, EN 14688, dimensions 1500 x 380/510 mm, symmetric, 1 centre tap hole
Special feature: overflow channel glazed, cutable to 900 mm, integrated shelves, with towel rail
Further options / accessories: 3 tap holes, 3 tap holes distance 8 inches with overflow, furniture
Order no. 81270.6

TECHNICAL DRAWINGS / S 1 : 20



* = minimum measure for cutting

Countertop basin / cutable
81170.8



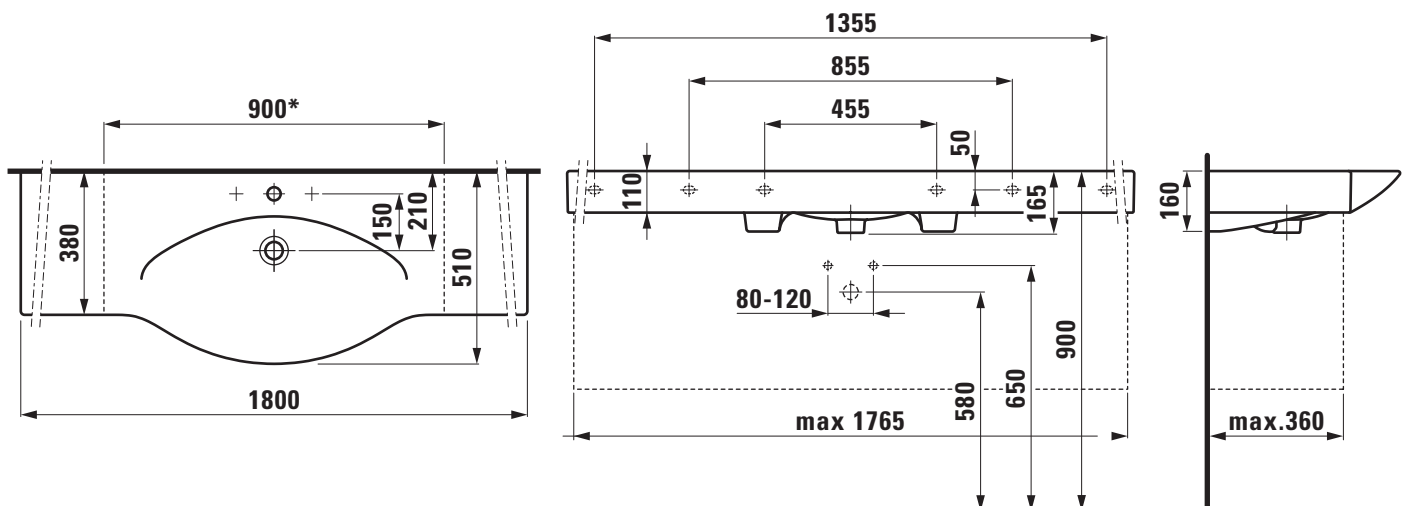
TECHNICAL DATA

Order no.	81170.8
Certified to	EN 14688
Dimensions	1800 x 380/510 mm
Inside dimensions of the basin	700 x 350 mm
Specification	Always to be fixed to the wall. Cut one-sided to 900 mm Charge 104 – 1 centre tap hole, with overflow
Special specification	Charge 108 – 3 tap holes, with overflow Charge 136 – 3 tap holes, distance 8 inches, with overflow
Weight	40,0 kg
Mounting acc. excl.	3x Mounting set M10 x 140 mm, order no. 89988.2
Otherwise	When ordering the cut version use the order form for cutting
Colours	see colour table

SPECIFICATION TEXT

Cutable countertop basin Laufen-PALACE, sanitary ceramic, EN 14688, dimensions 1800 x 380/510 mm, symmetric, 1 centre tap hole
Special feature: overflow channel glazed, cutable to 900 mm, integrated shelves
Further options / accessories: 3 tap holes, 3 tap holes distance 8 inches with overflow, furniture
Order no. 81170.8

TECHNICAL DRAWINGS / S 1 : 20



* = minimum measure for cutting



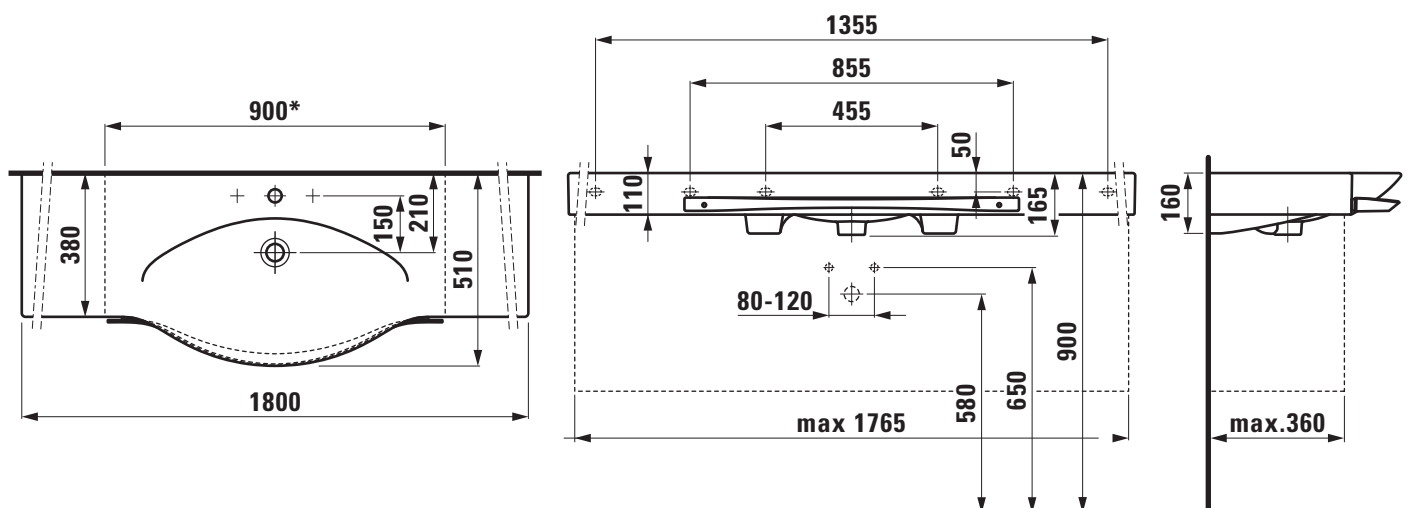
TECHNICAL DATA

Order no.	81270.8
Certified to	EN 14688
Dimensions	1800 x 380/510 mm
Inside dimensions of the basin	700 x 350 mm
Specification	Always to be fixed to the wall. Cut one-sided to 900 mm incl. towel rail order no. 8170.4 Charge 104 – 1 centre tap hole, with overflow
Special specification	Charge 108 – 3 tap holes, with overflow Charge 136 – 3 tap holes, distance 8 inches, with overflow
Weight	40,0 kg
Mounting acc. excl.	3x Mounting set M10 x 140 mm, order no. 89988.2
Otherwise	When ordering the cut version use the order form for cutting
Colours	see colour table

SPECIFICATION TEXT

Cutable countertop basin Laufen-PALACE, sanitary ceramic, EN 14688, dimensions 1800 x 380/510 mm, symmetric, 1 centre tap hole
Special feature: overflow channel glazed, cutable to 900 mm, integrated shelves, with towel rail
Further options / accessories: 3 tap holes, 3 tap holes distance 8 inches with overflow, furniture
Order no. 81270.8

TECHNICAL DRAWINGS / S 1 : 20



* = minimum measure for cutting

Double countertop basin / cutable
81370.6



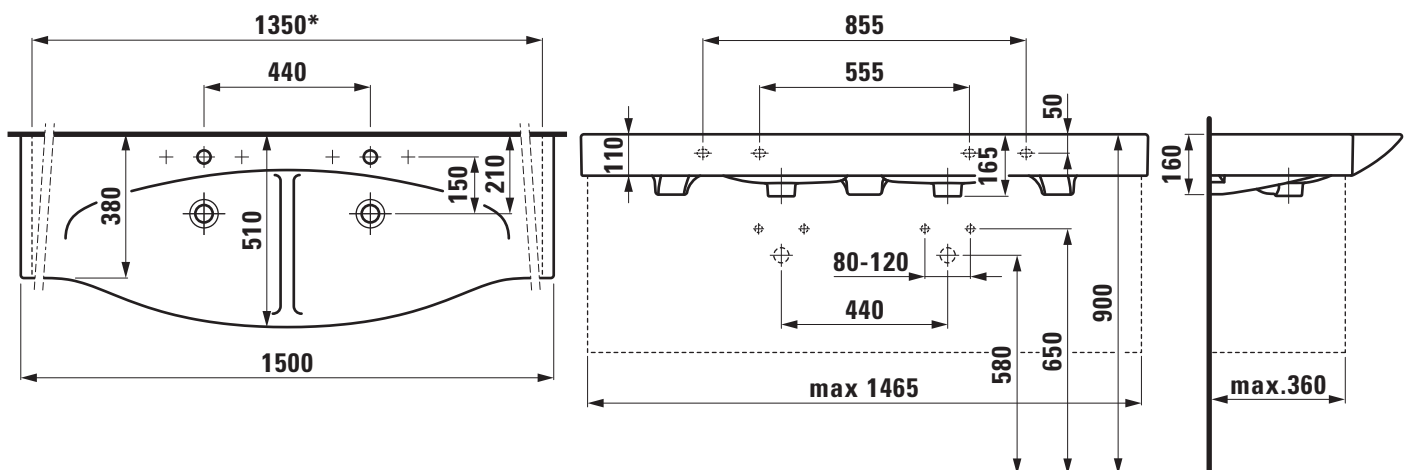
TECHNICAL DATA

Order no.	81370.6
Certified to	EN 14688
Dimensions	1500 x 380/510 mm
Inside dimensions of the basin	565 x 365 mm
Specification	Always to be fixed to the wall. Cut one-sided to 1350 mm Charge 104 – per basin 1 centre tap hole, with overflow
Special specification	Charge 108 – per basin 3 tap holes, with overflow Charge 136 – per basin 3 tap holes, distance 8 inches, with overflow
Weight	34,0 kg
Mounting acc. excl.	2x Mounting set M10 x 140 mm, order no. 89988.2
Otherwise	When ordering the cut version use the order form for cutting
Colours	see colour table

SPECIFICATION TEXT

Cutable double countertop basin Laufen-PALACE, sanitary ceramic EN 14688, dimensions 1500 x 380/510 mm, symmetric per basin 1 centre tap hole
 Special feature: overflow channel glazed, cutable to 1350 mm, integrated shelves
 Further options / accessories: 3 tap holes, 3 tap holes distance 8 inches with overflow, furniture
 Order no. 81370.6

TECHNICAL DRAWINGS / S 1 : 20



* = minimum measure for cutting

Double countertop basin / cutable
81470.6



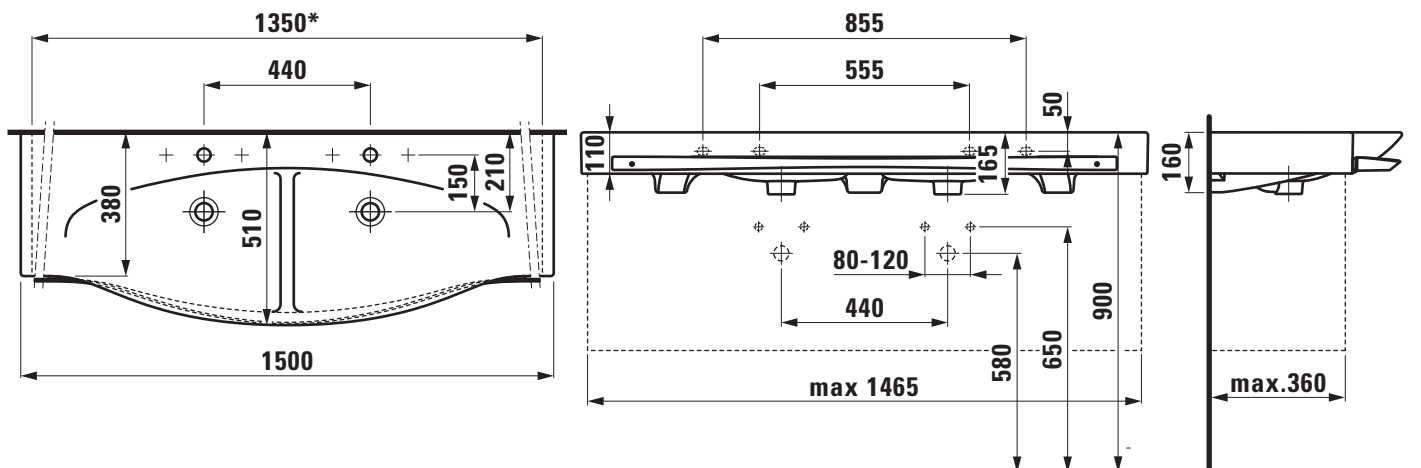
TECHNICAL DATA

Order no.	81470.6
Certified to	EN 14688
Dimensions	1500 x 380/510 mm
Inside dimensions of the basin	565 x 365 mm
Specification	Always to be fixed to the wall. Cut one-sided to 1350 mm incl. towel rail order no. 8170.5 Charge 104 – per basin 1 centre tap hole, with overflow
Special specification	Charge 108 – per basin 3 tap holes, with overflow Charge 136 – per basin 3 tap holes, distance 8 inches, with overflow
Weight	34,0 kg
Mounting acc. excl.	2x Mounting set M10 x 140 mm, order no. 89988.2
Otherwise	When ordering the cut version use the order form for cutting
Colours	see colour table

SPECIFICATION TEXT

Cutable double countertop basin Laufen-PALACE, sanitary ceramic EN 14688, dimensions 1500 x 380/510 mm, symmetric per basin 1 centre tap hole
 Special feature: overflow channel glazed, cutable to 1350 mm, integrated shelves, with towel rail
 Further options / accessories: 3 tap holes, 3 tap holes distance 8 inches with overflow, furniture
 Order no. 81470.6

TECHNICAL DRAWINGS / S 1 : 20



* = minimum measure for cutting



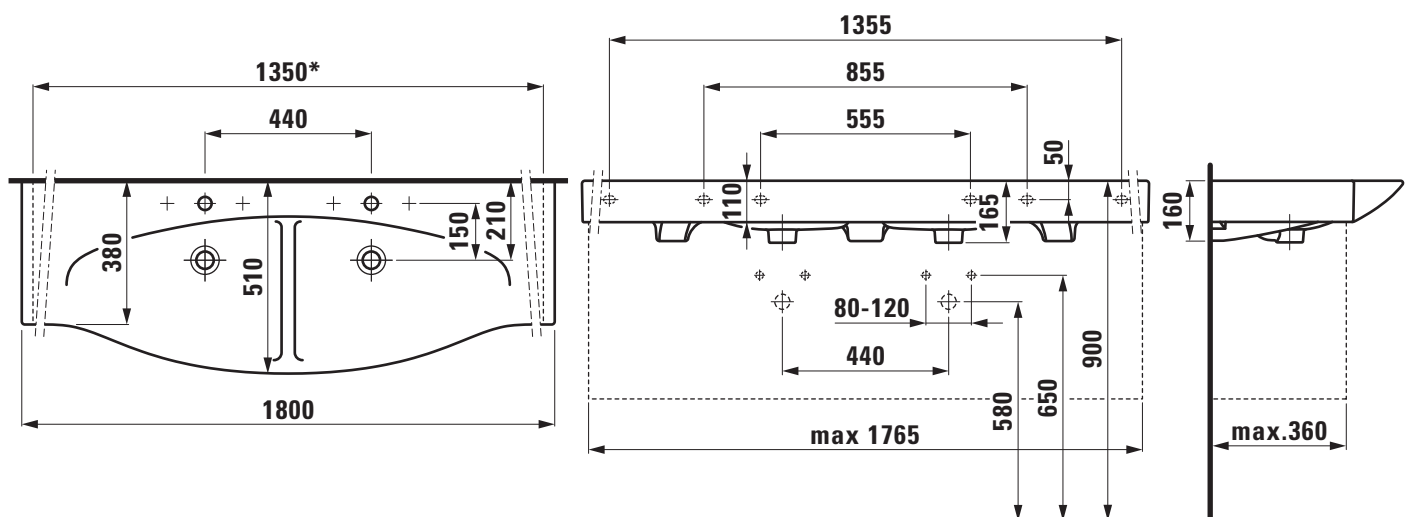
TECHNICAL DATA

Order no.	81370.8
Certified to	EN 14688
Dimensions	1800 x 380/510 mm
Inside dimensions of the basin	565 x 365 mm
Specification	Always to be fixed to the wall. Cut one-sided to 1350 mm Charge 104 – per basin 1 centre tap hole, with overflow
Special specification	Charge 108 – per basin 3 tap holes, with overflow Charge 136 – per basin 3 tap holes, distance 8 inches, with overflow
Weight	39,0 kg
Mounting acc. excl.	3x Mounting set M10 x 140 mm, order no. 89988.2
Otherwise	When ordering the cut version use the order form for cutting
Colours	see colour table

SPECIFICATION TEXT

Cutable double countertop basin Laufen-PALACE, sanitary ceramic EN 14688, dimensions 1800 x 380/510 mm, symmetric per basin 1 centre tap hole
Special feature: overflow channel glazed, cutable to 1350 mm, integrated shelves
Further options / accessories: 3 tap holes, 3 tap holes distance 8 inches with overflow, furniture
Order no. 81370.8

TECHNICAL DRAWINGS / S 1 : 20



* = minimum measure for cutting



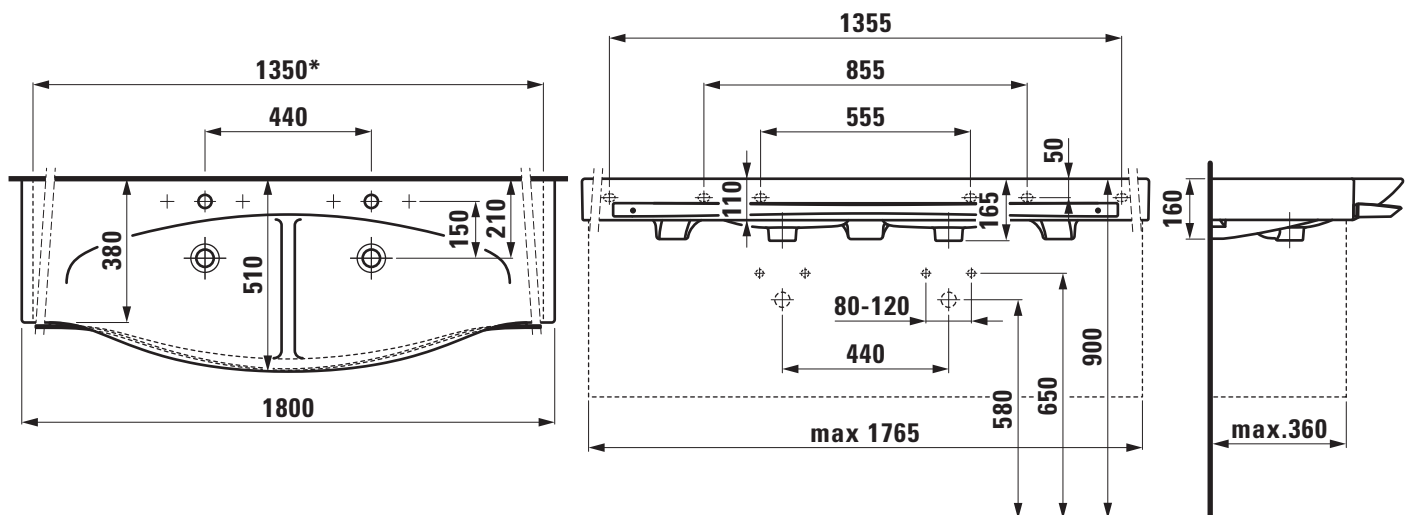
TECHNICAL DATA

Order no.	81470.8
Certified to	EN 14688
Dimensions	1800 x 380/510 mm
Inside dimensions of the basin	565 x 365 mm
Specification	Always to be fixed to the wall. Cut one-sided to 1350 mm incl. towel rail order no. 8170.5 Charge 104 – per basin 1 centre tap hole, with overflow
Special specification	Charge 108 – per basin 3 tap holes, with overflow Charge 136 – per basin 3 tap holes, distance 8 inches, with overflow
Weight	39,0 kg
Mounting acc. excl.	3x Mounting set M10 x 140 mm, order no. 89988.2
Otherwise	When ordering the cut version use the order form for cutting
Colours	see colour table

SPECIFICATION TEXT

Cutable double countertop basin Laufen-PALACE, sanitary ceramic EN 14688, dimensions 1800 x 380/510 mm, symmetric per basin 1 centre tap hole
Special feature: overflow channel glazed, cutable to 1350 mm, integrated shelves, with towel rail
Further options / accessories: 3 tap holes, 3 tap holes distance 8 inches with overflow, furniture
Order no. 81470.8

TECHNICAL DRAWINGS / S 1 : 20



* = minimum measure for cutting

Washbasin Pack with furniture

86070.2

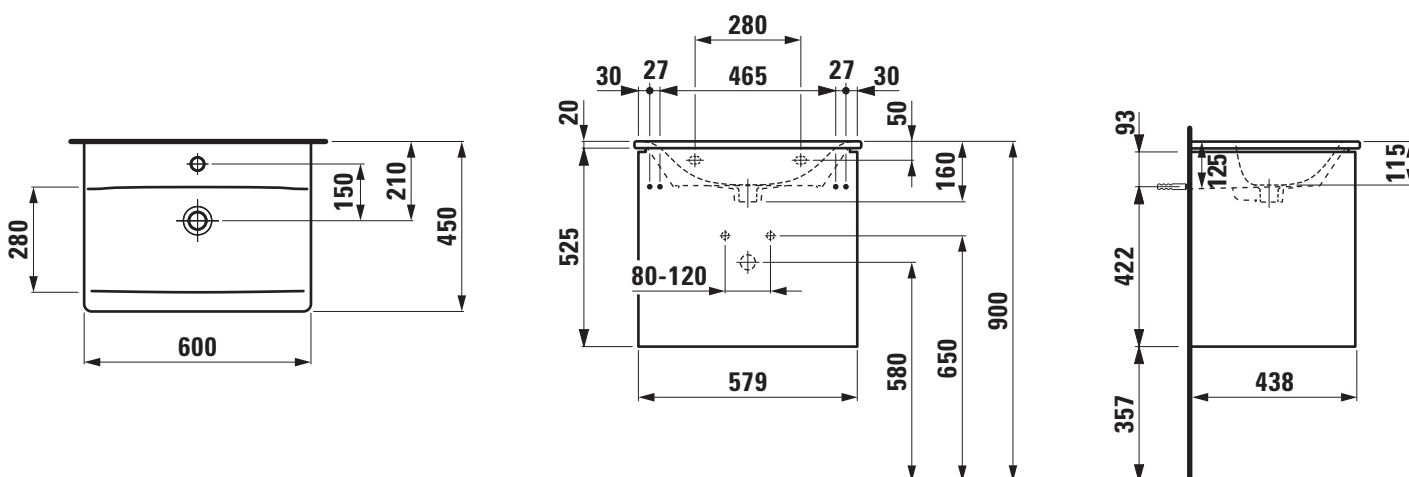
86170.2



TECHNICAL DATA

Order no.	86070.2 – washbasin with vanity unit, 2 drawers, handles anodized aluminium 86170.2 – washbasin with vanity unit, 2 drawers, handles aluminium black	Mounting information	The walls installed on must meet the requirements of the furniture in terms of weight and the supplied fastening elements. If this cannot be guaranteed another method of installation needs to be chosen.
Certified to	Washbasin – EN 31	Colours ceramic	000 – White
Dimensions (WxHxD)	600 x 545 x 450 mm	Colours furniture	260 – White matt 261 – White glossy 262 – Light elm 263 – Dark elm 266 – Traffic grey 999 – 39 other lacquered colours on request
Inside dimensions of the basin	580 x 280 mm	SPECIFICATION TEXT	
Specification	Washbasin: Always to be fixed to the wall. Charge 104 – 1 centre tap hole Furniture Base: White matt, Traffic grey: Body/Front MDF with PVC foil, Front with ABS edges White glossy: Body/Front MDF with PET foil, Front with ABS edges Elm light/dark: Body/Front MDF with CPL foil, Front with ABS edges Integrated handle in the front 2 drawers (soft-close mechanism) incl. drawer organizer	Laufen-PALACE Washbasin Pack with furniture Washbasin: sanitary ceramic, EN 31, dimensions (WxD) 600 x 450 mm, angular, 1 centre tap hole Special feature: overflow channel glazed Vanity unit: Body/Front – MDF board with PVC foil (white matt, traffic grey), with PET foil (white glossy), with CPL foil (elm light/dark), ABS edges, integrated handles, 2 drawers (soft-close mechanism), drawer organizer dimensions (WxHxD) 579 x 525 x 438 mm Further options / accessories: Towel rail anodized aluminium, space saving siphon, Base furniture Order no. 86070.2 – washbasin with vanity unit, handles anodized aluminium, 86170.2 – washbasin with vanity unit, handles aluminium black	
Weight			
Accessories excl.	Towel rail, anodized aluminium, order no. 49095.2		
Mounting acc. incl.	Installation set for furniture, order no. 49114.0, 49301.5		
Mounting acc. excl.	Space saving siphon DN 32, order no. 89424.0		

TECHNICAL DRAWINGS / S 1 : 20



Washbasin Pack with furniture

86070.5

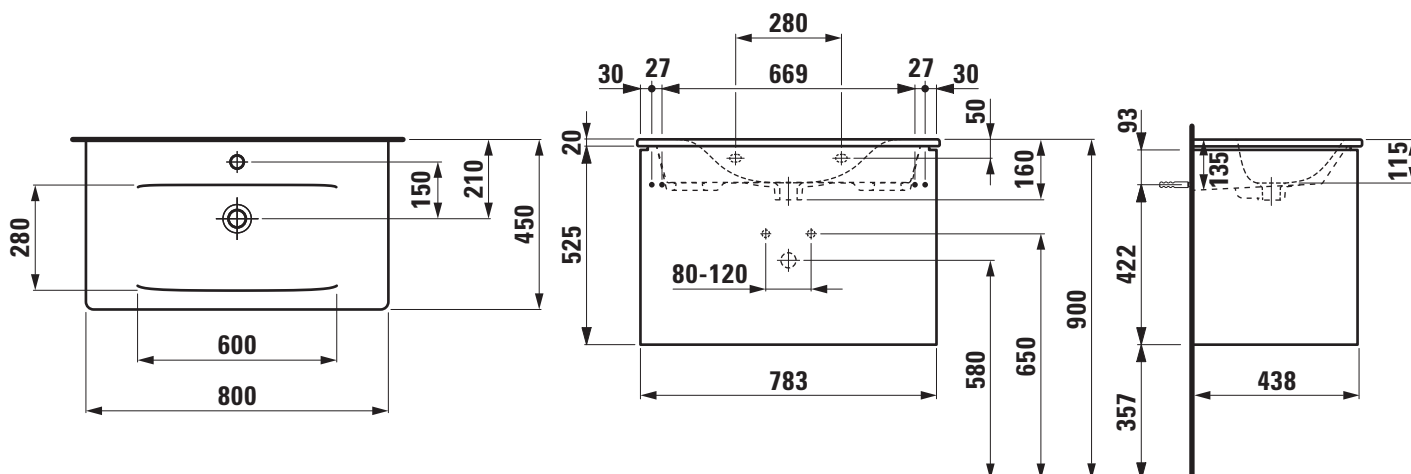
86170.5



TECHNICAL DATA

Order no.	86070.5 – washbasin with vanity unit, 2 drawers, handles anodized aluminium 86170.5 – washbasin with vanity unit, 2 drawers, handles aluminium black	Mounting information	The walls installed on must meet the requirements of the furniture in terms of weight and the supplied fastening elements. If this cannot be guaranteed another method of installation needs to be chosen.
Certified to	Washbasin – EN 31	Colours ceramic	000 – White
Dimensions (WxHxD)	800 x 545 x 450 mm	Colours furniture	260 – White matt 261 – White glossy 262 – Light elm 263 – Dark elm 266 – Traffic grey 999 – 39 other lacquered colours on request
Inside dimensions of the basin	580 x 280 mm	SPECIFICATION TEXT	
Specification	Washbasin: Always to be fixed to the wall. Charge 104 – 1 centre tap hole Furniture Base: White matt, Traffic grey: Body/Front MDF with PVC foil, Front with ABS edges White glossy: Body/Front MDF with PET foil, Front with ABS edges Elm light/dark: Body/Front MDF with CPL foil, Front with ABS edges Integrated handle in the front 2 drawers (soft-close mechanism) incl. drawer organizer	Laufen-PALACE Washbasin Pack with furniture Washbasin: sanitary ceramic, EN 31, dimensions (WxD) 800 x 450 mm, angular, 1 centre tap hole Special feature: overflow channel glazed Vanity unit: Body/Front – MDF board with PVC foil (white matt, traffic grey), with PET foil (white glossy), with CPL foil (elm light/dark), ABS edges, integrated handles, 2 drawers (soft-close mechanism), drawer organizer dimensions (WxHxD) 783 x 525 x 438 mm Further options / accessories: Towel rail anodized aluminium, space saving siphon, Base furniture Order no. 86070.5 – washbasin with vanity unit, handles anodized aluminium, 86170.5 – washbasin with vanity unit, handles aluminium black	
Weight			
Accessories excl.	Towel rail, anodized aluminium, order no. 49095.2		
Mounting acc. incl.	Installation set for furniture, order no. 49114.0, 49301.5		
Mounting acc. excl.	Space saving siphon DN 32, order no. 89424.0		

TECHNICAL DRAWINGS / S 1 : 20



Washbasin Pack with furniture

86070.7

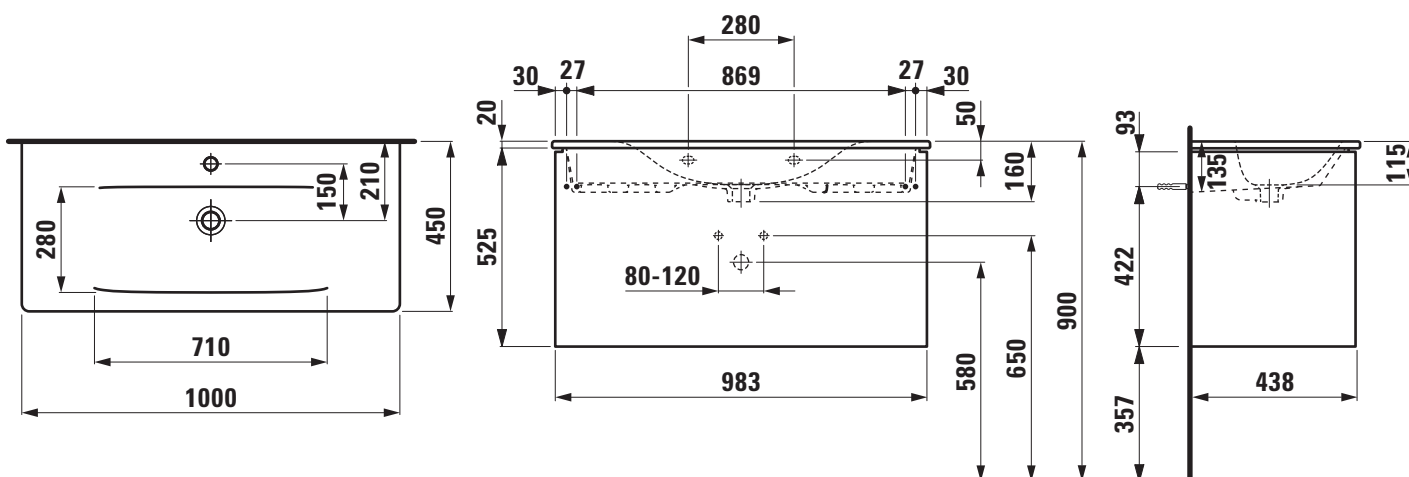
86170.7



TECHNICAL DATA

Order no.	86070.7 – washbasin with vanity unit, 2 drawers, handles anodized aluminium 86170.7 – washbasin with vanity unit, 2 drawers, handles aluminium black	Mounting information	The walls installed on must meet the requirements of the furniture in terms of weight and the supplied fastening elements. If this cannot be guaranteed another method of installation needs to be chosen.
Certified to	Washbasin – EN 31	Colours ceramic	000 – White
Dimensions (WxHxD)	1000 x 545 x 450 mm	Colours furniture	260 – White matt 261 – White glossy 262 – Light elm 263 – Dark elm 266 – Traffic grey 999 – 39 other lacquered colours on request
Inside dimensions of the basin	710 x 280 mm	SPECIFICATION TEXT	
Specification	Washbasin: Always to be fixed to the wall. Charge 104 – 1 centre tap hole Furniture Base: White matt, Traffic grey: Body/Front MDF with PVC foil, Front with ABS edges White glossy: Body/Front MDF with PET foil, Front with ABS edges Elm light/dark: Body/Front MDF with CPL foil, Front with ABS edges Integrated handle in the front 2 drawers (soft-close mechanism) incl. drawer organizer	Laufen-PALACE Washbasin Pack with furniture Washbasin: sanitary ceramic, EN 31, dimensions (WxD) 1000 x 450 mm, angular, 1 centre tap hole Special feature: overflow channel glazed Vanity unit: Body/Front – MDF board with PVC foil (white matt, traffic grey), with PET foil (white glossy), with CPL foil (elm light/dark), ABS edges, integrated handles, 2 drawers (soft-close mechanism), drawer organizer dimensions (WxHxD) 983 x 525 x 438 mm Further options / accessories: Towel rail anodized aluminium, space saving siphon, Base furniture Order no. 86070.7 – washbasin with vanity unit, handles anodized aluminium, 86170.7 – washbasin with vanity unit, handles aluminium black	
Weight			
Accessories excl.	Towel rail, anodized aluminium, order no. 49095.2		
Mounting acc. incl.	Installation set for furniture, order no. 49114.0, 49301.5		
Mounting acc. excl.	Space saving siphon DN 32, order no. 89424.0		

TECHNICAL DRAWINGS / S 1 : 20





TECHNICAL DATA

Order no.	82470.6
Certified to	EN 997, EN 33
Specification	Washdown for min. 5/3-l-flush back to wall Charge 000 – 2 fixing holes, without lateral holes
Special specification	Charge 231 – 2 fixing holes, with lateral holes
Outlet	horizontal VARIO, vertical 70 - 305 mm
Weight	37,0 kg
Accessories excl.	Charge 000 – Cistern, order no. 82870.1, 82870.2 Charge 231 – Cistern, order no. 82870.3, 82870.5 WC seat and cover, order no. 89170.0 WC seat and cover with automatic lowering system, order no. 89170.1
Mounting acc. incl.	Fixing set, order no. 89175.7

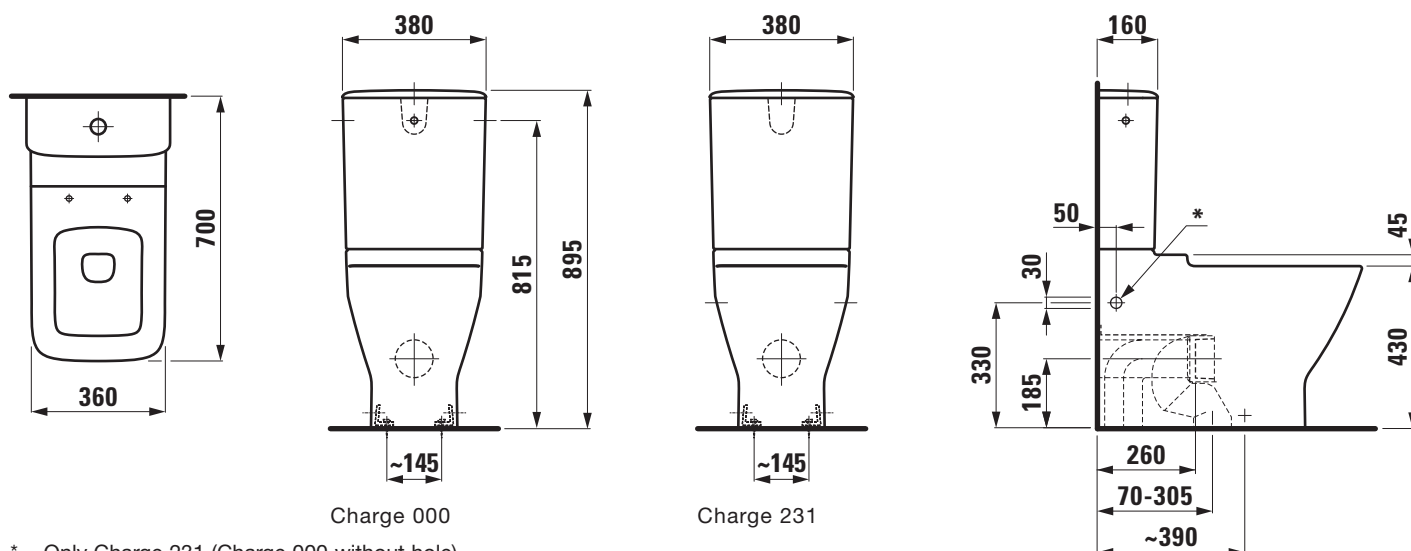
Mounting acc. excl. for VARIO outlet 70 - 205 mm use LAUFEN-connection set, order no. 89009.2
for VARIO outlet 220 - 305 mm use only LAUFEN-connection set, order no. 89902.5

Colours see colour table

SPECIFICATION TEXT

Floorstanding WC pan washdown Laufen-PALACE, sanitary ceramic, for cistern, EN 997, EN 33, min. 5/3-l-flush, dimensions 360 x 700 x 475 mm, outlet horizontal, VARIO vertical 70 - 305 mm back to wall, concealed trap, concealed fixation
Special feature: concealed surfaces directing water are fully glazed throughout, closed water rim, vacuum checked
Further options / accessories: lateral holes, cistern 82870.1, 82870.2, 82870.3, 82870.5, WC seat and cover 89170.0, WC seat and cover with automatic lowering 89170.1
Order no. 82470.6

TECHNICAL DRAWINGS / S 1 : 20





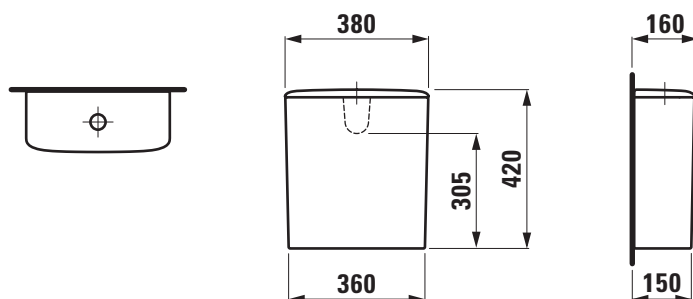
TECHNICAL DATA

Order no.	82870.1
Certified to	EN 14055
matching for	Floorstanding WC pan order no. 82470.6 / Charge 000
Specification	Flushing mechanism Dual-Flush With water condensation insulation: Charge 871 – 5/3-l (6/3-l-flush, 4,5/3-l-flush) Without water condensation insulation: Charge 874 – 5/3-l (6/3-l-flush, 4,5/3-l-flush)
Water inlet	rear, 1/2" brass
Weight	13,0 kg
Mounting acc. incl.	Fastening kit Angle valve for rear water inlet Water inlet hose
Colours	see colour table

SPECIFICATION TEXT

Cistern Laufen-PALACE, sanitary ceramic
EN 14055, dimensions 360 x 160 x 420 mm
Dual-Flush 5/3-l (6/3-l-flush, 4,5/3-l-flush)
water inlet rear, 1/2" brass
matching floorstanding WC pan, order no. 82470.6/option 000
Special feature: with or without water condensation insulation
Order no. 82870.1

TECHNICAL DRAWINGS / S 1 : 20





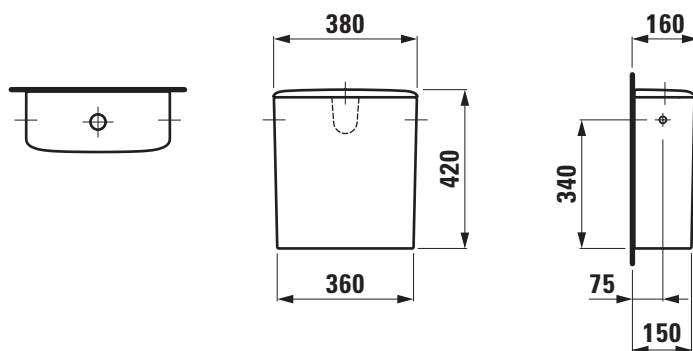
TECHNICAL DATA

Order no.	82870.2
Certified to	EN 14055
matching for	Floorstanding WC pan order no. 82470.6 / Charge 000
Specification	Flushing mechanism Dual-Flush With water condensation insulation: Charge 872 – 5/3-I (6/3-I-flush, 4,5/3-I-flush) Without water condensation insulation: Charge 876 – 5/3-I (6/3-I-flush, 4,5/3-I-flush)
Water inlet	side left, side right, 3/8" brass
Weight	13,0 kg
Mounting acc. incl.	Fastening kit
Mounting acc. excl.	Angle valve for water inlet Water inlet hose
Colours	see colour table

SPECIFICATION TEXT

Cistern Laufen-PALACE, sanitary ceramic
EN 14055, dimensions 360 x 160 x 420 mm
Dual-Flush 5/3-I (6/3-I-flush, 4,5/3-I-flush)
water inlet side left, side right, 3/8" brass
matching floorstanding WC pan, order no. 82470.6/option 000
Special feature: with or without water condensation insulation
Order no. 82870.2

TECHNICAL DRAWINGS / S 1 : 20





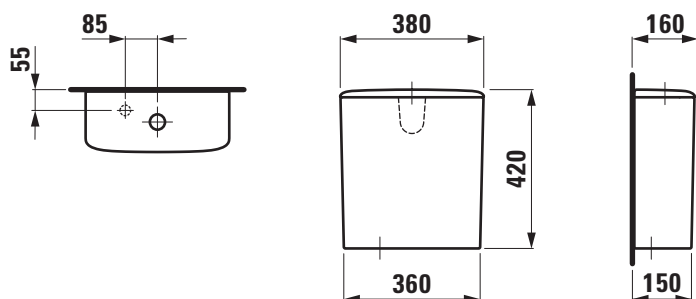
TECHNICAL DATA

Order no.	82870.3
matching for	Floorstanding WC pan order no. 82470.6 / Charge 231
Specification	Flushing mechanism Dual-Flush Without water condensation insulation Charge 873 – 5/3-l (6/3-l-flush, 4,5/3-l-flush)
Water inlet	bottom left, 1/2" plastic
Weight	13,0 kg
Mounting acc. incl.	Fastening kit
Mounting acc. excl.	Angle valve for water inlet Water inlet hose
Colours	see colour table

SPECIFICATION TEXT

Cistern Laufen-PALACE, sanitary ceramic
dimensions 360 x 160 x 420 mm
Dual-Flush 5/3-l (6/3-l-flush, 4,5/3-l-flush)
water inlet bottom left, 1/2" plastic
matching floorstanding WC pan, order no. 82470.6/option 231
Special feature: without water condensation insulation
Order no. 82870.3

TECHNICAL DRAWINGS / S 1 : 20





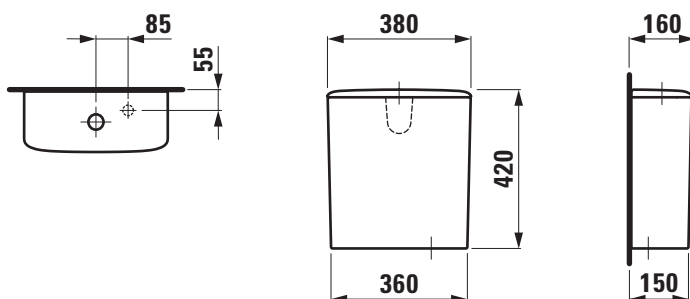
TECHNICAL DATA

Order no.	82870.5
matching for	Floorstanding WC pan order no. 82470.6 / Charge 231
Specification	Flushing mechanism Dual-Flush Without water condensation insulation Charge 873 – 5/3-l (6/3-l-flush, 4,5/3-l-flush)
Water inlet	bottom right, 1/2" plastic
Weight	13,0 kg
Mounting acc. incl.	Fastening kit
Mounting acc. excl.	Angle valve for water inlet Water inlet hose
Colours	see colour table

SPECIFICATION TEXT

Cistern Laufen-PALACE, sanitary ceramic
dimensions 360 x 160 x 420 mm
Dual-Flush 5/3-l (6/3-l-flush, 4,5/3-l-flush)
water inlet bottom right, 1/2" plastic
matching floorstanding WC pan, order no. 82470.6/option 231
Special feature: without water condensation insulation
Order no. 82870.5

TECHNICAL DRAWINGS / S 1 : 20



**Floorstanding cistern Universal for floorstanding WC pan
82866.0**



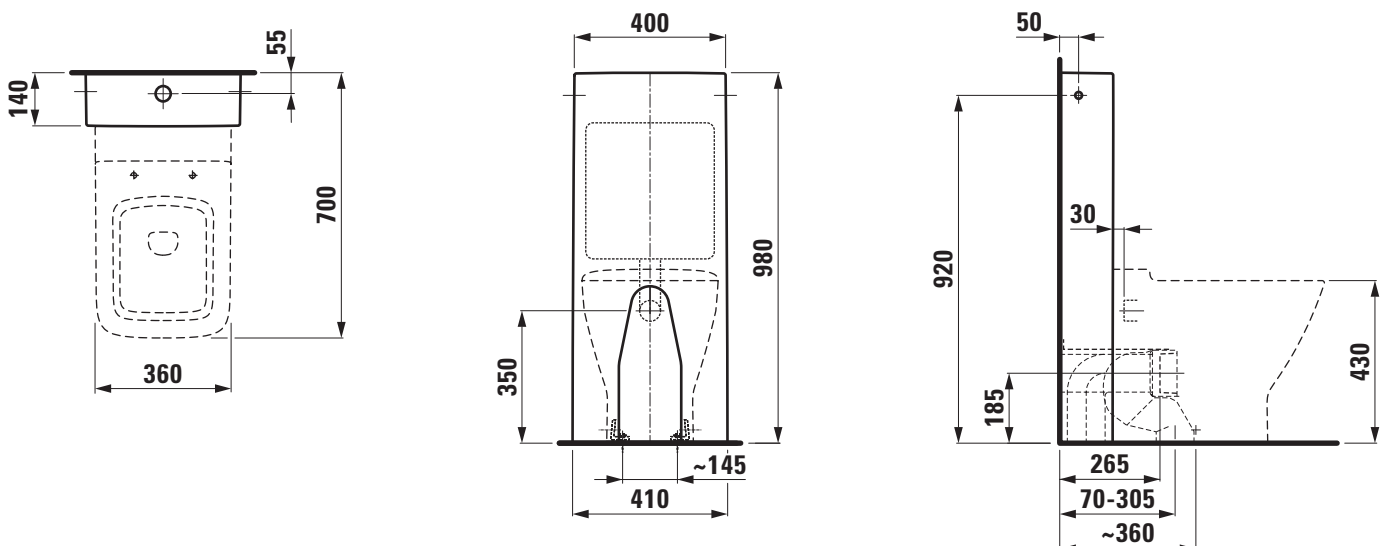
TECHNICAL DATA

Order no.	82866.0
Certified to	EN 14055
matching for	Floorstanding WC pan, order no. 82370.1
Specification	floorstanding Flushing mechanism Dual-Flush water condensation insulation Charge 882 – 6/3-l (5/3-l-flush, 4,5/3-l-flush)
Water inlet	side left, side right, 3/8" brass
Weight	21,5 kg
Mounting acc. incl.	Fastening kit
Mounting acc. excl.	for VARIO-outlet 70 - 220 mm LAUFEN-connection, order no. 89009.2 for VARIO-outlet 220 - 305 mm only LAUFEN-connection, order no. 89902.5 Angle valve for water inlet Water inlet hose
Colours	see colour table

SPECIFICATION TEXT

Floorstanding cistern Universal Laufen-PALACE, sanitary ceramic EN 14055
dimensions 400/410 x 140 x 980 mm
Dual-Flush 6/3-l (5/3-l-flush, 4,5/3-l-flush)
water inlet side left, side right, 3/8" brass
matching floorstanding WC pan, order no. 82370.1
Special feature: water condensation insulation
Order no. 82866.0

TECHNICAL DRAWINGS / S 1 : 20



**Floorstanding cistern Universal for floorstanding WC pan
82866.1**



TECHNICAL DATA

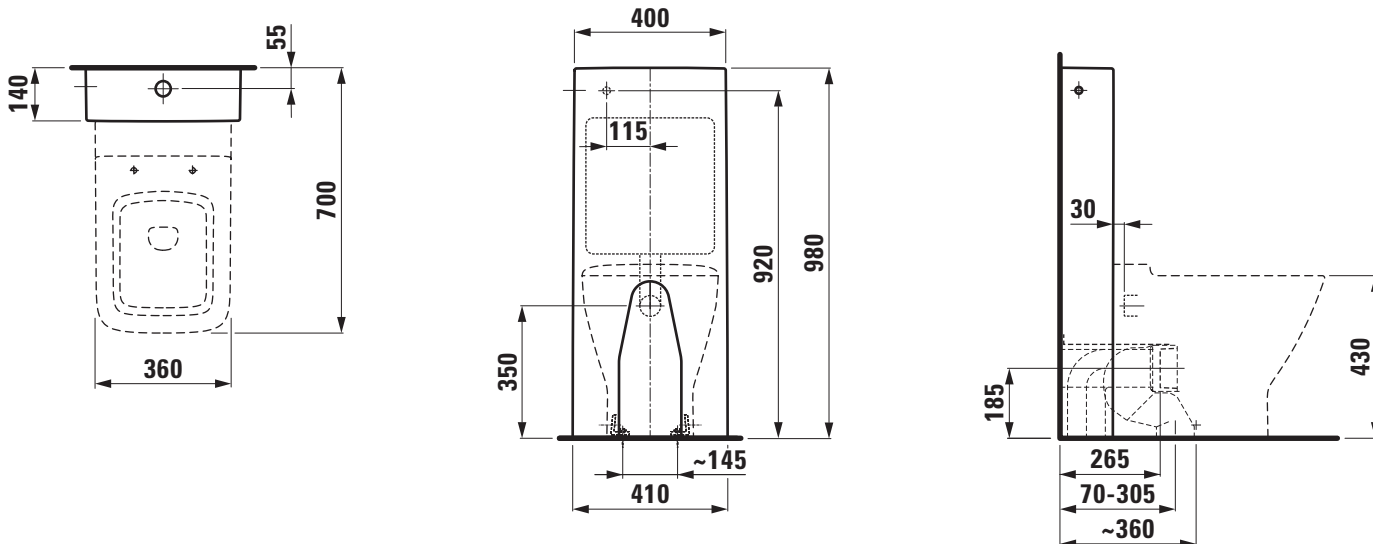
Order no.	82866.1
Certified to	EN 14055
matching for	Floorstanding WC pan, order no. 82370.1
Specification	floorstanding Flushing mechanism Dual-Flush water condensation insulation Charge 881 – 6/3-l (5/3-l-flush, 4,5/3-l-flush)
Water inlet	concealed top left rear, 1/2" brass
Weight	21,5 kg
Mounting acc. incl.	Fastening kit Angle valve for rear water inlet Water inlet hose

Mounting acc. excl.	for VARIO-outlet 70 - 220 mm LAUFEN-connection, order no. 89009.2 for VARIO-outlet 220 - 305 mm only LAUFEN-connection, order no. 89902.5
Colours	see colour table

SPECIFICATION TEXT

Floorstanding cistern Universal Laufen-PALACE, sanitary ceramic EN 14055
 dimensions 400/410 x 140 x 980 mm
 Dual-Flush 6/3-l (5/3-l-flush, 4,5/3-l-flush)
 concealed water inlet top left rear, 1/2" brass
 matching floorstanding WC pan, order no. 82370.1
 Special feature: water condensation insulation
 Order no. 82866.1

TECHNICAL DRAWINGS / S 1 : 20



**Floorstanding cistern Universal for floorstanding WC pan
82866.3**



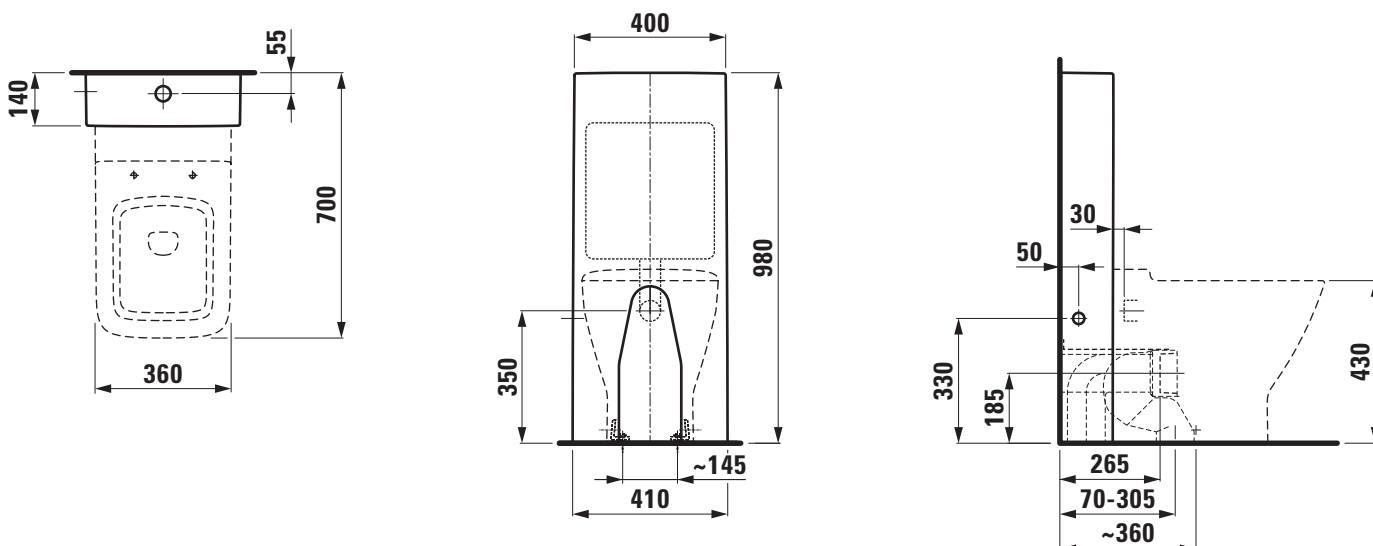
TECHNICAL DATA

Order no.	82866.3
Certified to	EN 14055
matching for	Floorstanding WC pan, order no. 82370.1
Specification	floorstanding Flushing mechanism Dual-Flush water condensation insulation Charge 883 – 6/3-l (5/3-l-flush, 4,5/3-l-flush)
Water inlet	bottom left, 1/2" plastic
Weight	21,5 kg
Mounting acc. incl.	Fastening kit
Mounting acc. excl.	for VARIO-outlet 70 - 220 mm LAUFEN-connection, order no. 89009.2 for VARIO-outlet 220 - 305 mm only LAUFEN-connection, order no. 89902.5 Angle valve for water inlet Water inlet hose
Colours	see colour table

SPECIFICATION TEXT

Floorstanding cistern Universal Laufen-PALACE, sanitary ceramic EN 14055
dimensions 400/410 x 140 x 980 mm
Dual-Flush 6/3-l (5/3-l-flush, 4,5/3-l-flush)
water inlet bottom left, 1/2" plastic
matching floorstanding WC pan, order no. 82370.1
Special feature: water condensation insulation
Order no. 82866.3

TECHNICAL DRAWINGS / S 1 : 20



**Floorstanding cistern Universal for floorstanding WC pan
82866.4**



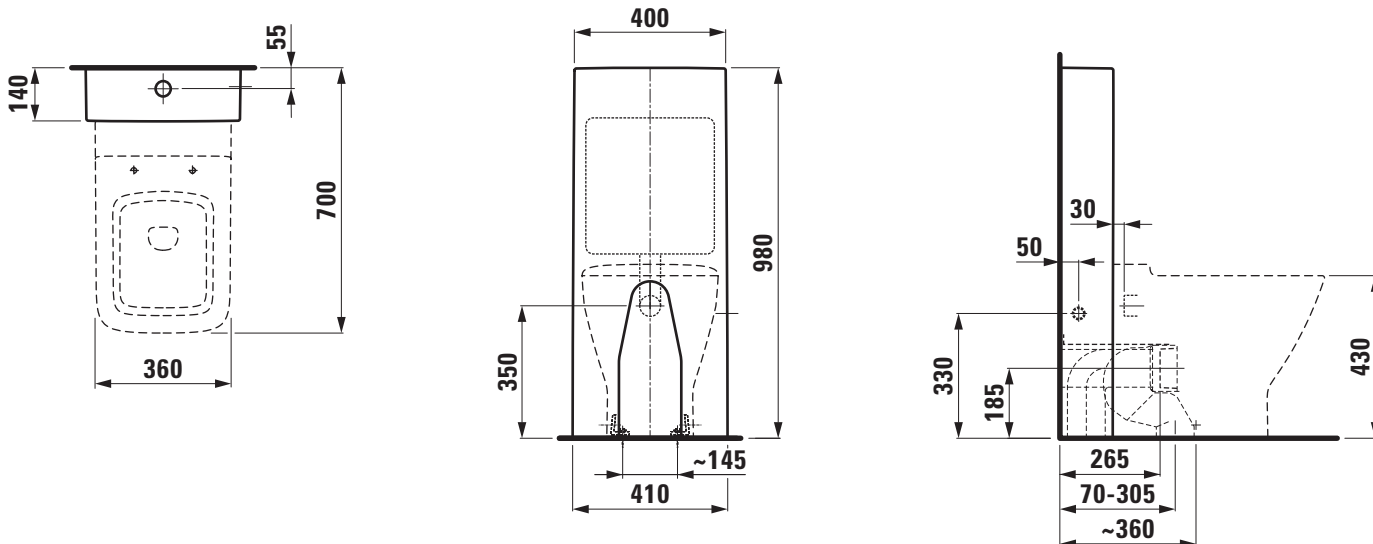
TECHNICAL DATA

Order no.	82866.4
Certified to	EN 14055
matching for	Floorstanding WC pan, order no. 82370.1
Specification	floorstanding Flushing mechanism Dual-Flush Charge 884 – 6/3-l (5/3-l-flush, 4,5/3-l-flush)
Water inlet	bottom right, 1/2" plastic
Weight	21,5 kg
Mounting acc. incl.	Fastening kit
Mounting acc. excl.	for VARIO-outlet 70 - 220 mm LAUFEN-connection, order no. 89009.2 for VARIO-outlet 220 - 305 mm only LAUFEN-connection, order no. 89902.5 Angle valve for water inlet Water inlet hose
Colours	see colour table

SPECIFICATION TEXT

Floorstanding cistern Universal Laufen-PALACE, sanitary ceramic EN 14055
 dimensions 400/410 x 140 x 980 mm
 Dual-Flush 6/3-l (5/3-l-flush, 4,5/3-l-flush)
 water inlet bottom right, 1/2" plastic
 matching floorstanding WC pan, order no. 82370.1
 Order no. 82866.4

TECHNICAL DRAWINGS / S 1 : 20



Floorstanding cistern, two-part Universal for floorstanding WC pan
82966.0



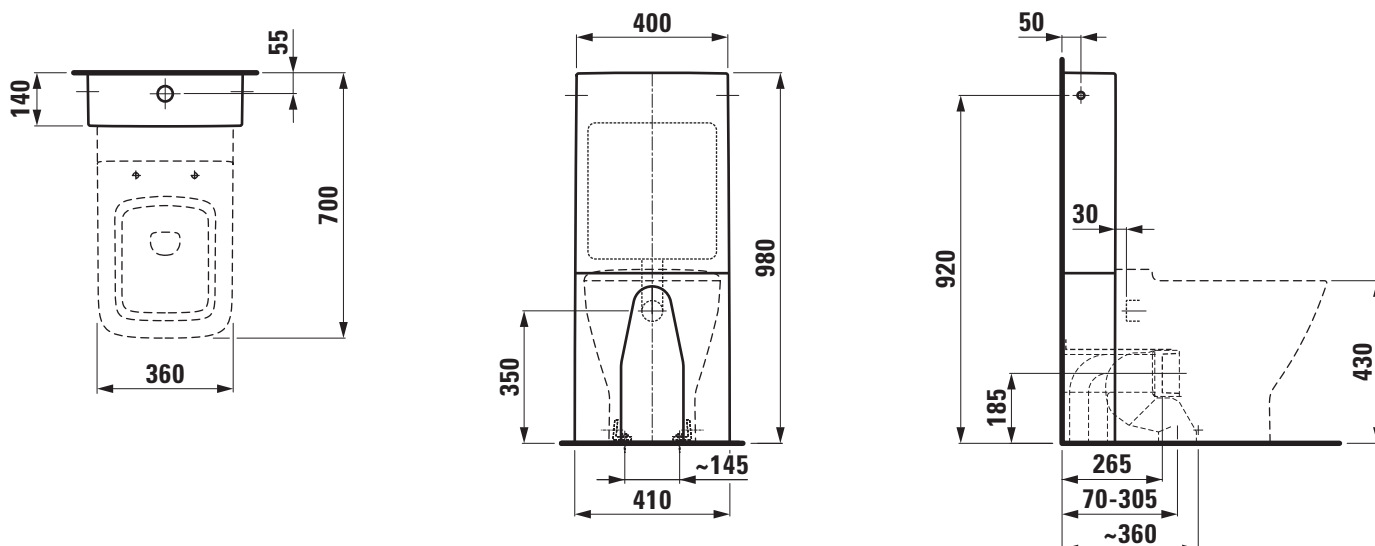
TECHNICAL DATA

Order no.	82966.0
Certified to	EN 14055
matching for	Floorstanding WC pan, order no. 82370.1
Specification	Floorstanding, consisting of two-parts Flushing mechanism Dual-Flush water condensation insulation Charge 882 – 6/3-l (5/3-l-flush, 4,5/3-l-flush)
Water inlet	side left, side right, 3/8" brass
Weight	21,0 kg
Mounting acc. incl.	Fastening kit
Mounting acc. excl.	for VARIO-outlet 70 - 220 mm LAUFEN-connection, order no. 89009.2 for VARIO-outlet 220 - 305 mm only LAUFEN-connection, order no. 89902.5 Angle valve for water inlet Water inlet hose
Colours	see colour table

SPECIFICATION TEXT

Floorstanding cistern, two-part Universal Laufen-PALACE, sanitary ceramic
 EN 14055
 dimensions 400/410 x 140 x 980 mm
 Dual-Flush 6/3-l (5/3-l-flush, 4,5/3-l-flush)
 water inlet side left, side right, 3/8" brass
 matching floorstanding WC pan, order no. 82370.1
 Special feature: water condensation insulation
 Order no. 82966.0

TECHNICAL DRAWINGS / S 1 : 20



**Floorstanding cistern, two-part Universal for floorstanding WC pan
 82966.1**



TECHNICAL DATA

Order no.	82966.1
Certified to	EN 14055
matching for	Floorstanding WC pan, order no. 82370.1
Specification	Floorstanding, consisting of two-parts Flushing mechanism Dual-Flush water condensation insulation Charge 881 – 6/3-l (5/3-l-flush, 4,5/3-l-flush)
Water inlet	concealed top left rear, 1/2" brass
Weight	21,0 kg
Mounting acc. incl.	Fastening kit Angle valve for rear water inlet Water inlet hose

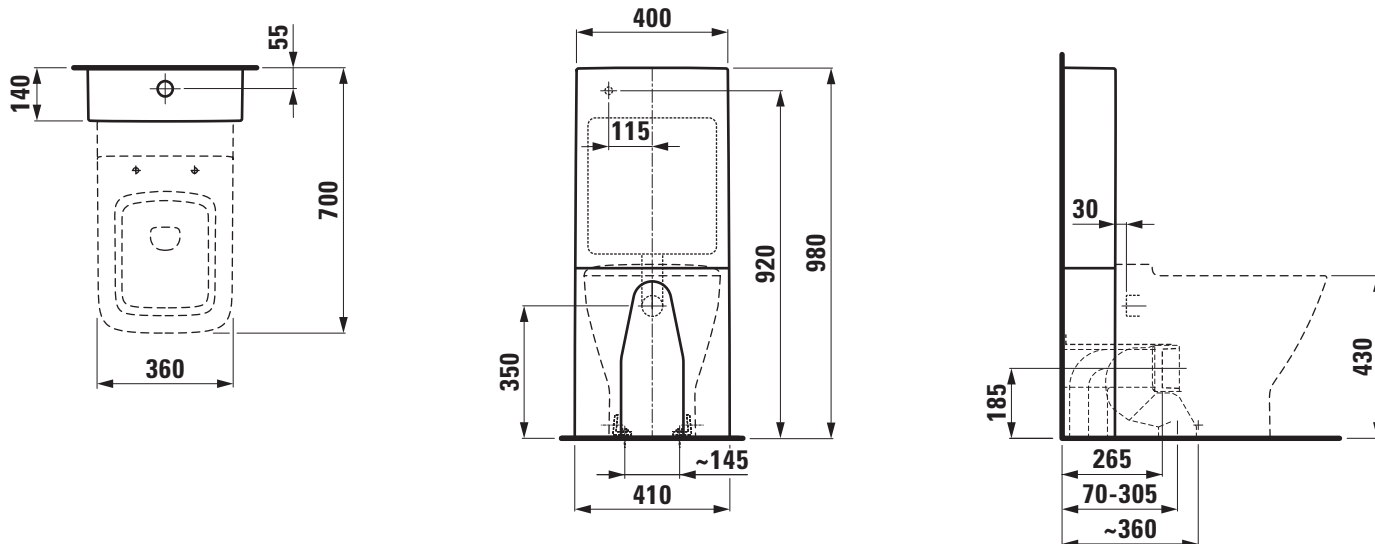
Mounting acc. excl. for VARIO-outlet 70 - 220 mm LAUFEN-connection, order no. 89009.2
 for VARIO-outlet 220 - 305 mm only LAUFEN-connection, order no. 89902.5

Colours see colour table

SPECIFICATION TEXT

Floorstanding cistern, two-part Universal Laufen-PALACE, sanitary ceramic
 EN 14055
 dimensions 400/410 x 140 x 980 mm
 Dual-Flush 6/3-l (5/3-l-flush, 4,5/3-l-flush)
 concealed water inlet top left rear, 1/2" brass
 matching floorstanding WC pan, order no. 82370.1
 Special feature: water condensation insulation
 Order no. 82966.1

TECHNICAL DRAWINGS / S 1 : 20



Floorstanding cistern, two-part Universal for floorstanding WC pan
82966.3



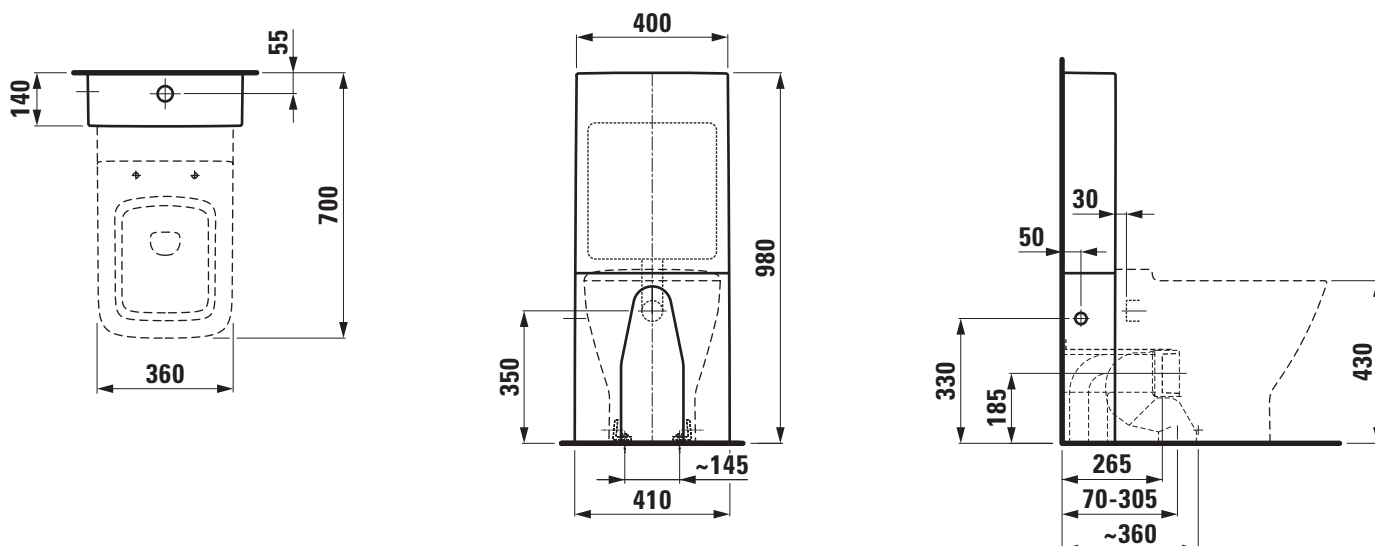
TECHNICAL DATA

Order no.	82966.3
Certified to	EN 14055
matching for	Floorstanding WC pan, order no. 82370.1
Specification	Floorstanding, consisting of two-parts Flushing mechanism Dual-Flush water condensation insulation Charge 883 – 6/3-l (5/3-l-flush, 4,5/3-l-flush)
Water inlet	bottom left, 1/2" plastic
Weight	21,0 kg
Mounting acc. incl.	Fastening kit
Mounting acc. excl.	for VARIO-outlet 70 - 220 mm LAUFEN-connection, order no. 89009.2 for VARIO-outlet 220 - 305 mm only LAUFEN-connection, order no. 89902.5 Angle valve for water inlet Water inlet hose
Colours	see colour table

SPECIFICATION TEXT

Floorstanding cistern, two-part Universal Laufen-PALACE, sanitary ceramic
 EN 14055
 dimensions 400/410 x 140 x 980 mm
 Dual-Flush 6/3-l (5/3-l-flush, 4,5/3-l-flush)
 water inlet bottom left, 1/2" plastic
 matching floorstanding WC pan, order no. 82370.1
 Special feature: water condensation insulation
 Order no. 82966.3

TECHNICAL DRAWINGS / S 1 : 20



**Floorstanding cistern, two-part Universal for floorstanding WC pan
82966.4**



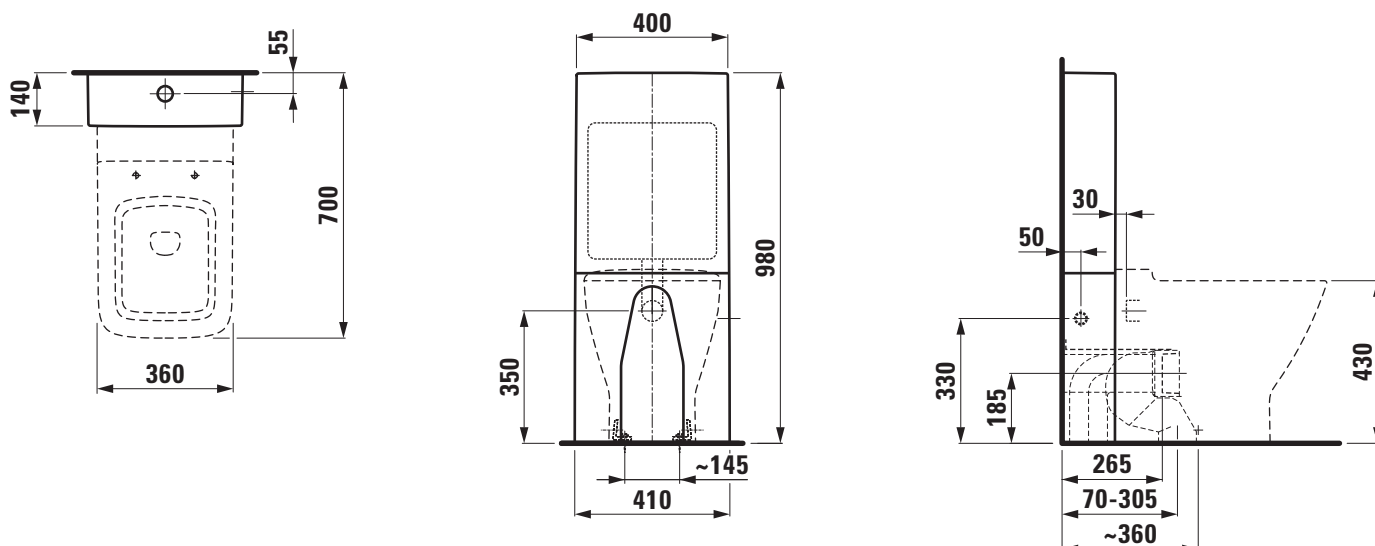
TECHNICAL DATA

Order no.	82966.4
Certified to	EN 14055
matching for	Floorstanding WC pan, order no. 82370.1
Specification	Floorstanding, consisting of two-parts Flushing mechanism Dual-Flush Charge 884 – 6/3-l (5/3-l-flush, 4,5/3-l-flush)
Water inlet	bottom right, 1/2" plastic
Weight	21,0 kg
Mounting acc. incl.	Fastening kit
Mounting acc. excl.	for VARIO-outlet 70 - 220 mm LAUFEN-connection, order no. 89009.2 for VARIO-outlet 220 - 305 mm only LAUFEN-connection, order no. 89902.5 Angle valve for water inlet Water inlet hose
Colours	see colour table

SPECIFICATION TEXT

Floorstanding cistern, two-part Universal Laufen-PALACE, sanitary ceramic
EN 14055
dimensions 400/410 x 140 x 980 mm
Dual-Flush 6/3-l (5/3-l-flush, 4,5/3-l-flush)
water inlet bottom right, 1/2" plastic
matching floorstanding WC pan, order no. 82370.1
Order no. 82966.4

TECHNICAL DRAWINGS / S 1 : 20



SET PALACE

Floorstanding WC pan

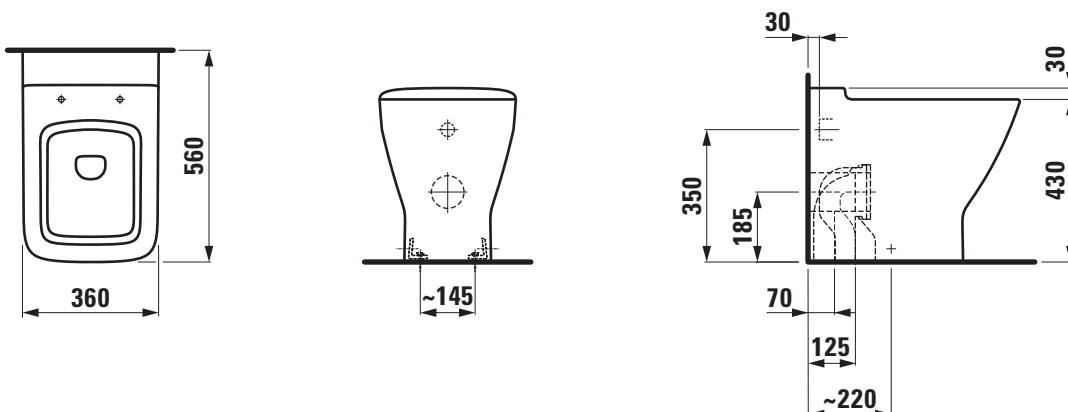
82370.1



TECHNICAL DATA

Order no.	82370.1	Mounting acc. excl.	for outlet vertical 70 mm LAUFEN-connection set, order no. 89009.2
Certified to	EN 997 / EN 33		for outlet vertical 125 mm LAUFEN-connection set, order no. 89902.7
Specification	Washdown for min. 5/3-l-flush back to wall	Colours	see colour table
Outlet	horizontal vertical 70 and 125 mm	SPECIFICATION TEXT	
Weight	31,5 kg	Floorstanding WC pan washdown Laufen-PALACE, sanitary ceramic, for concealed cistern	
Accessories excl.	Floorstanding cistern, order no. 82866.0, 82866.1, 82866.3, 82866.4 Floorstanding cistern two-part Universal, order no. 82966.0, 82966.1, 82966.3, 82966.4 WC seat and cover, order no. 89170.0 WC seat and cover with automatic lowering system, order no. 89170.1	EN 997, EN 33, min. 5/3-l-flush, dimensions 360 x 560 x 460 mm, outlet horizontal, vertical 70 and 125 mm back to wall, concealed trap, concealed fixation Special feature: concealed surfaces directing water are fully glazed throughout, closed water rim, vacuum checked Further options / accessories: Floorstanding cistern Universal 82866.0, 82866.1, 82866.3, 82866.4, floorstanding cistern two-part Universal 82966.0, 82966.1, 82966.3, 82966.4, WC seat and cover 89170.0, WC seat and cover with automatic lowering 89170.1 Order no. 82370.1	
Mounting acc. incl.	Device for fixing, order no. 89175.7		

TECHNICAL DRAWINGS / S 1 : 20



SET PALACE
Wallhung WC pan
82070.0



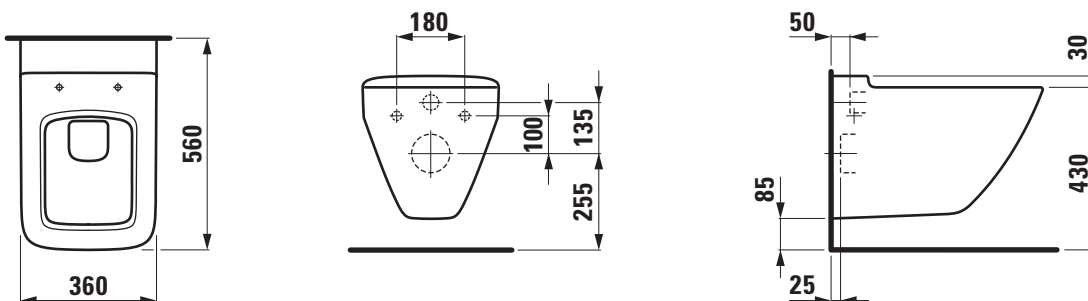
TECHNICAL DATA

Order no.	82070.0
Certified to	EN 997 / EN 33
Specification	Washdown for min. 5/3-l-flush
Outlet	horizontal
Weight	26,0 kg
Accessories excl.	WC seat and cover, order no. 89170.0 WC seat and cover with automatic lowering system, order no. 89170.1
Mounting acc. incl.	laufen EasyFit system M12, order no. 89282.7
Mounting acc. excl.	Stone screw fastening kit M12
Colours	see colour table

SPECIFICATION TEXT

Wallhung WC pan washdown Laufen-PALACE, sanitary ceramic, for concealed cistern
 EN 997, EN 33, min. 5/3-l-flush, dimensions 360 x 560 x 375 mm, concealed trap, concealed fixation
 Special feature: concealed surfaces directing water are fully glazed throughout, closed water rim, vacuum checked
 Further options / accessories: WC seat and cover 89170.0, WC seat and cover with automatic lowering 89170.1
 Order no. 82070.0

TECHNICAL DRAWINGS / S 1 : 20



SET PALACE
Wallhung WC pan Compact
82070.3



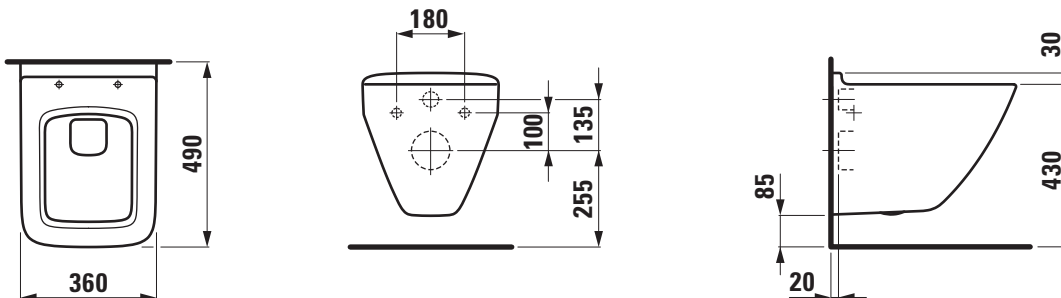
TECHNICAL DATA

Order no.	82070.3
Certified to	EN 997 / EN 33
Specification	Washdown for min. 5/3-l-flush
Outlet	horizontal
Weight	29,0 kg
Accessories excl.	WC seat and cover, order no. 89170.0 WC seat and cover with automatic lowering system, order no. 89170.1
Mounting acc. incl.	laufen EasyFit system M12, order no. 89282.7
Mounting acc. excl.	Stone screw fastening kit M12
Colours	see colour table

SPECIFICATION TEXT

Compact wallhung WC pan washdown Laufen-PALACE, sanitary ceramic, for concealed cistern
 EN 997, EN 33, min. 5/3-l-flush, dimensions 360 x 490 x 375 mm, concealed trap, concealed fixation
 Special feature: concealed surfaces directing water are fully glazed throughout, closed water rim, vacuum checked
 Further options / accessories: WC seat and cover 89170.0, WC seat and cover with automatic lowering 89170.1
 Order no. 82070.3

TECHNICAL DRAWINGS / S 1 : 20



SET PALACE
Wallhung WC rimless
82070.6



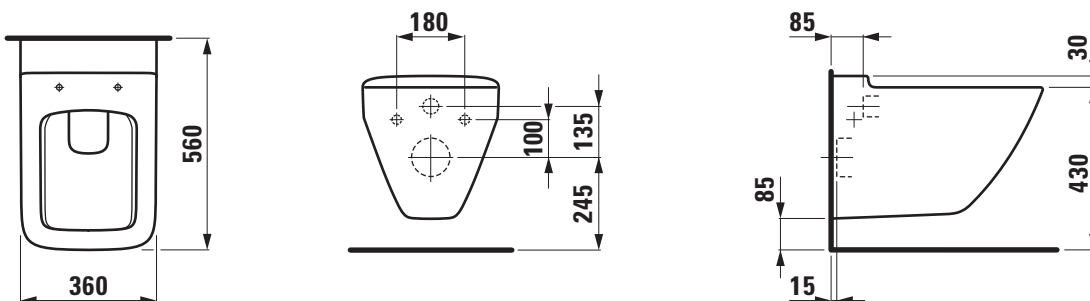
TECHNICAL DATA

Order no.	82070.6
Certified to	EN 977 / EN 33
Specification	rimless Washdown for 5/3-l-flush
Weight	26,0 kg
Accessories excl.	WC seat and cover, order no. 89170.0 WC seat and cover with automatic lowering system, order no. 89170.1
Mounting acc. incl.	laufen EasyFit system M12, order no. 89282.7
Mounting acc. excl.	Stone screw fastening kit M12
Colours	see colour table

SPECIFICATION TEXT

Wallhung WC rimless, washdown Laufen-PALACE, sanitary ceramic, for concealed cistern
 EN 977, EN 33, 5/3-l-flush, dimensions 360 x 560 x 375 mm
 concealed trap, concealed fixation
 Special feature: rimless, concealed surfaces directing water are fully glazed throughout, vacuum checked
 Further options / accessories: WC seat and cover 89170.0, WC seat and cover with automatic lowering 89170.1
 Order no. 82070.6

TECHNICAL DRAWINGS / S 1 : 20



SET PALACE

WC Seat and cover

89170.0



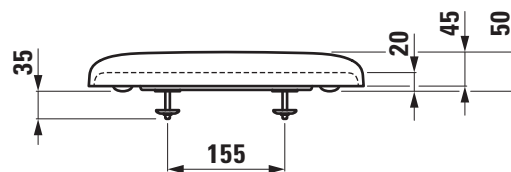
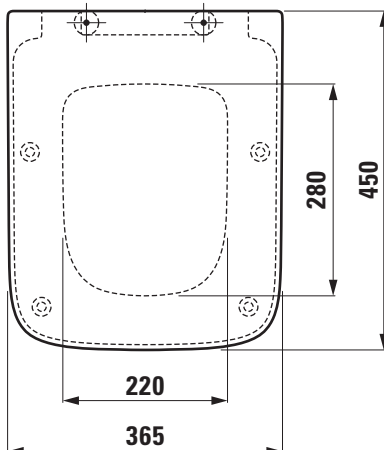
TECHNICAL DATA

Order no.	89170.0
matching for	Floorstanding WC pan, order no. 82370.1, 82470.6 Wallhung WC pan, order no. 82070.0, 82070.3, 82070.6
Specification	removable
Weight	2,9 kg
Mounting acc.	included
Colours	see colour table

SPECIFICATION TEXT

WC seat and cover Laufen-PALACE, Duroplast removable
matching floorstanding WC pan, order no. 82370.1, 82470.6 and
wallhung WC pan, order no. 82070.0, 82070.3, 82070.6
Order no. 89170.0

TECHNICAL DRAWINGS / S 1 : 10



**WC Seat and cover with automatic lowering system
89170.1**



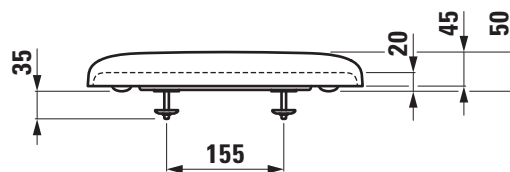
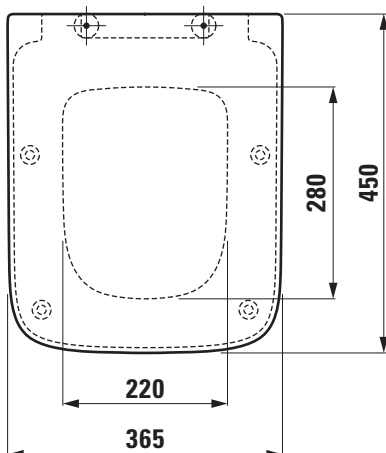
TECHNICAL DATA

Order no.	89170.1
matching for	Floorstanding WC pan, order no. 82370.1, 82470.6 Wallhung WC pan, order no. 82070.0, 82070.3, 82070.6
Specification	removable with antibacterial coating
Weight	2,9 kg
Mounting acc.	included
Colours	see colour table

SPECIFICATION TEXT

WC seat and cover Laufen-PALACE, Duroplast removable, automatic lowering system matching floorstanding WC pan, order no. 82370.1, 82470.6 and wallhung WC pan, order no. 82070.0, 82070.3, 82070.6
Order no. 89170.1

TECHNICAL DRAWINGS / S 1 : 10



SET PALACE
Floorstanding bidet
83270.1



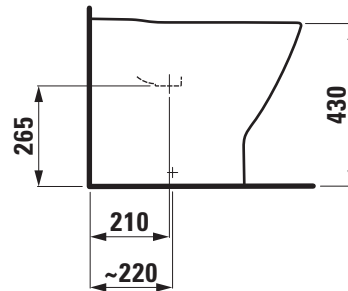
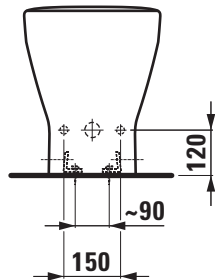
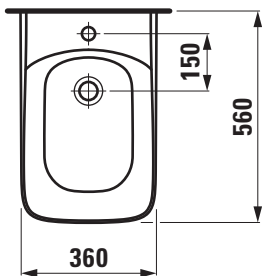
TECHNICAL DATA

Order no.	83270.1
Certified to	EN 35
Specification	back to wall Charge 302 – 1 centre tap hole
Weight	25,0 kg
Mounting acc. incl.	Device for fixing, order no. 89175.7
Colours	see colour table

SPECIFICATION TEXT

Floorstanding bidet Laufen-PALACE, sanitary ceramic
 EN 35, dimensions 360 x 560 x 430 mm
 1 centre tap hole
 back to wall, concealed trap, concealed fixation
 Special feature: overflow channel glazed, vacuum checked
 Order no. 83270.1

TECHNICAL DRAWINGS / S 1 : 20



SET PALACE

Wallhung bidet 83070.1



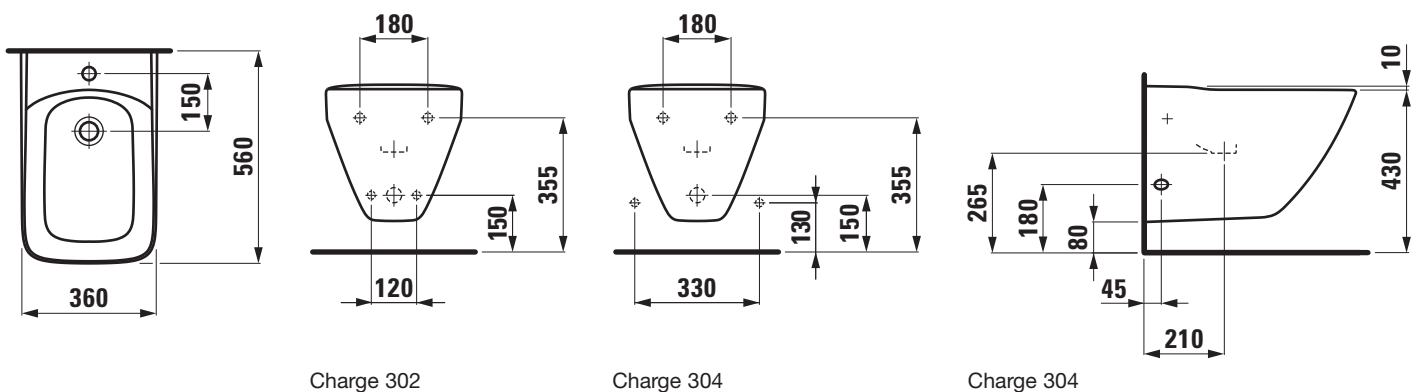
TECHNICAL DATA

Order no.	83070.1
Certified to	EN 36
Specification	Charge 302 – 1 centre tap hole without lateral holes
Special specification	Charge 304 – 1 centre tap hole with 2 lateral mounting holes for water connection
Weight	20,0 kg
Mounting acc. incl.	laufen EasyFit system M12, order no. 89282.7
Mounting acc. excl.	Stone screw fastening kit M12
Colours	see colour table

SPECIFICATION TEXT

Wallhung bidet Laufen-PALACE, sanitary ceramic
EN 36, dimensions 360 x 560 x 360 mm
1 centre tap hole
concealed trap, concealed fixation
Special feature: overflow channel glazed, vacuum checked
Further options: lateral mounting holes for water connection
Order no. 83070.0

TECHNICAL DRAWINGS / S 1 : 20



SET MODERNA R
Small washbasin Liberty
81554.2



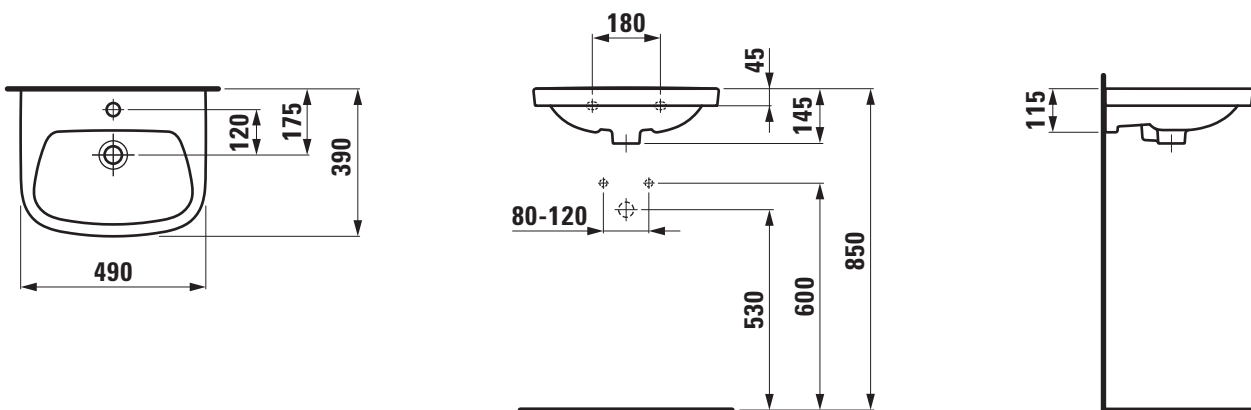
TECHNICAL DATA

Order no.	81554.2
Certified to	EN 31 / SIA 500
Dimensions	490 x 390 mm
Inside dimensions of the basin	420 x 250 mm
Specification	Charge 104 – 1 centre tap hole, with overflow
Special specification	Charge 109 – without tap hole
Weight	10,0 kg
Mounting acc. excl.	Mounting set M10 x 140 mm, order no. 89988.2
Colours	see colour table

SPECIFICATION TEXT

Small washbasin Liberty Laufen-MODERNA R sanitary ceramic EN 31 / SIA 500 dimensions 490 x 390 mm, symmetric
 1 centre tap hole, with overflow
 Special feature: overflow channel glazed
 Further options / accessories: without tap holes
 Order no. 81554.2

TECHNICAL DRAWINGS / S 1 : 20





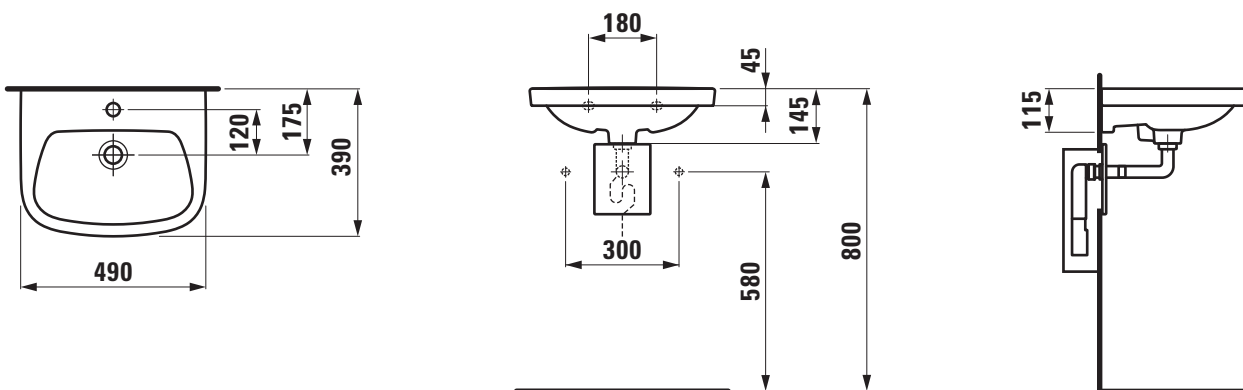
TECHNICAL DATA

Order no.	81554.2
Certified to	DIN 18040 / EN 31 / SIA 500
Dimensions	490 x 390 mm
Inside dimensions of the basin	420 x 250 mm
Specification	Charge 156 – 1 centre tap hole, without overflow and without open drain
Special specification	Charge 142 – without tap hole without overflow and without open drain
Weight	10,0 kg
Mounting acc. excl.	Mounting set M10 x 140 mm, order no. 89988.2 Concealed siphon, order no. 89390.0
Colours	see colour table

SPECIFICATION TEXT

Barrier free small washbasin Liberty Laufen-MODERNA R sanitary ceramic
 DN 18040 / EN 31 / SIA 500
 dimensions 490 x 390 mm, symmetric
 1 centre tap hole, without overflow and open drain, accessible by wheelchair
 Special feature: overflow channel glazed
 Further options / accessories: without tap holes/overflow and open drain, concealed siphon
 Order no. 81554.2

TECHNICAL DRAWINGS / S 1 : 20



SET MODERNA R
Ceramic shelf Liberty
87154.0



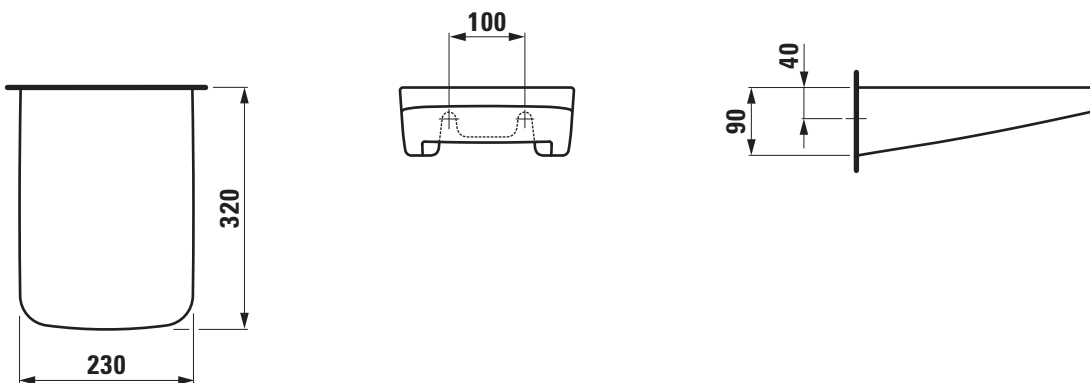
TECHNICAL DATA

Order no.	87154.0
Certified to	SIA 500
Dimensions	230 x 320 mm
Weight	4,0 kg
Mounting acc. incl.	Special nut M10, order no. 89097.0
Mounting acc. excl.	Mounting set M10 x 140 mm, order no. 89988.2
Colours	see colour table

SPECIFICATION TEXT

Shelf Liberty Laufen-MODERNA R sanitary ceramic
SIA 500
dimensions 230 x 320 x 90 mm
Order no. 87154.0

TECHNICAL DRAWINGS / S 1 : 10



SET MODERNA R

Countertop basin

81154.3



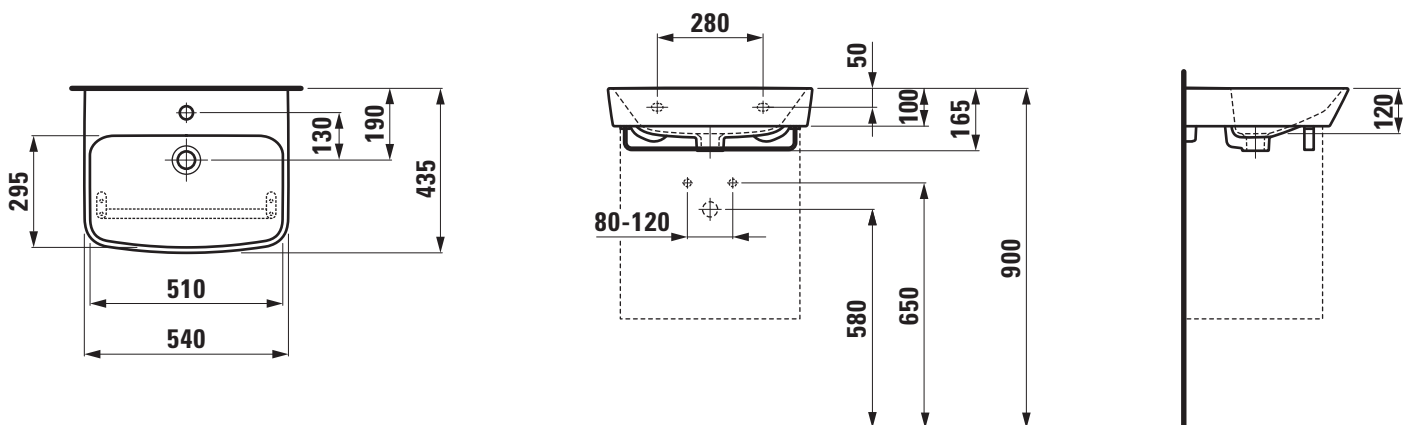
TECHNICAL DATA

Order no.	81154.3
Certified to	EN 31
Dimensions	540 x 435 mm
Inside dimensions of the basin	510 x 295 mm
Specification	Always to be fixed to the wall. Charge 104 – 1 centre tap hole
Special specification	Charge 109 – without tap hole
Weight	12,0 kg
Accessories excl.	Towel rail, order no. 38154.2
Mounting acc. excl.	Mounting set M10 x 140 mm, order no. 89988.2
Colours	see colour table

SPECIFICATION TEXT

Countertop basin Laufen-MODERNA R, sanitary ceramic EN 31
dimensions 540 x 435 mm, symmetric
1 centre tap hole
Special feature: overflow channel glazed
Further options / accessories: without tap holes, towel rail order no. 38154.2, bathtubs, faucets, furniture
Order no. 81154.3

TECHNICAL DRAWINGS / S 1 : 20



SET MODERNA R

Countertop basin

81154.5



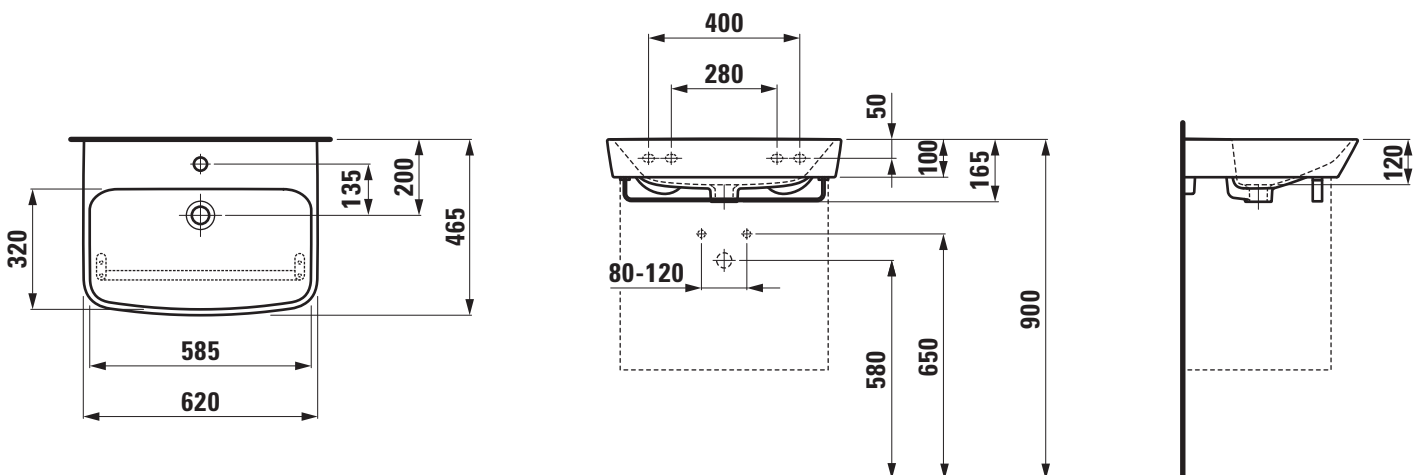
TECHNICAL DATA

Order no.	81154.5
Certified to	EN 31
Dimensions	620 x 465 mm
Inside dimensions of the basin	585 x 320 mm
Specification	Always to be fixed to the wall. Charge 104 – 1 centre tap hole
Special specification	Charge 109 – without tap hole
Weight	14,3 kg
Accessories excl.	Towel rail, order no. 38154.3
Mounting acc. excl.	Mounting set M10 x 140 mm, order no. 89988.2
Colours	see colour table

SPECIFICATION TEXT

Countertop basin Laufen-MODERNA R, sanitary ceramic EN 31
dimensions 620 x 465 mm, symmetric
1 centre tap hole
Special feature: overflow channel glazed
Further options / accessories: without tap holes, towel rail order no. 38154.3, bathtubs, faucets, furniture
Order no. 81145.5

TECHNICAL DRAWINGS / S 1 : 20



SET MODERNA R

Countertop basin 81354.5



TECHNICAL DATA

Order no.	81354.5
Certified to	EN 31
Dimensions	840 x 465 mm
Inside dimensions of the basin	510 x 320 mm
Specification	Always to be fixed to the wall. Ceramic shelf left and right Charge 104 – 1 centre tap hole
Special specification	Charge 109 – without tap hole
Weight	20,0 kg
Mounting acc. excl.	Mounting set M10 x 140 mm, order no. 89988.2
Colours	see colour table

SPECIFICATION TEXT

Countertop basin Laufen-MODERNA R, sanitary ceramic
EN 31

dimensions 840 x 465 mm, symmetric

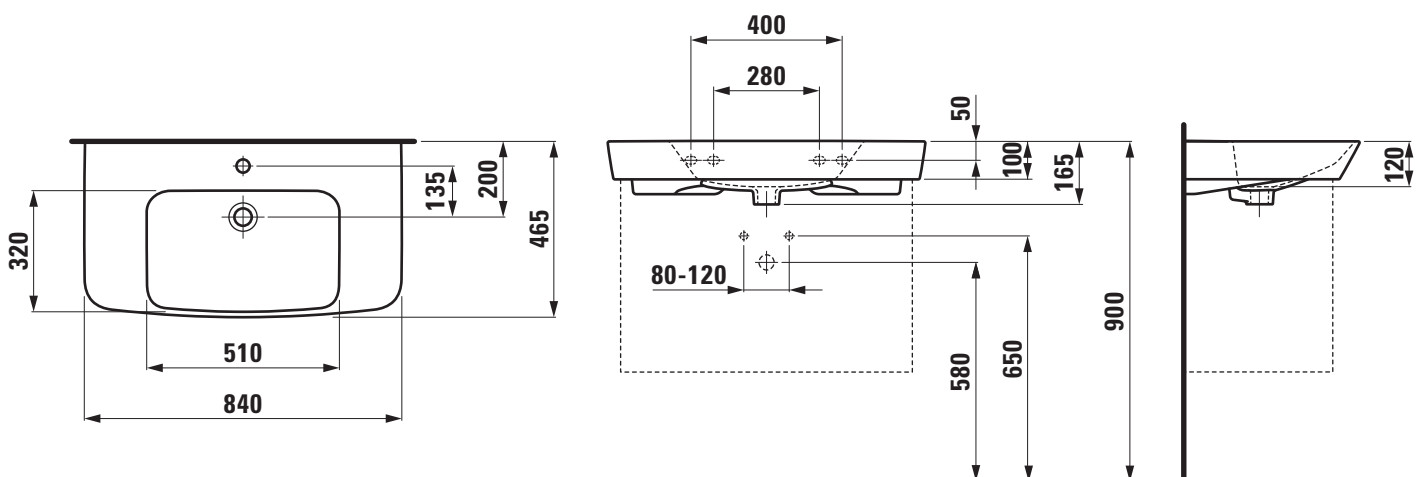
1 centre tap hole

Special feature: overflow channel glazed, integrated shelf

Further options / accessories: without tap holes, bathtubs, faucets,
furniture

Order no. 81354.5

TECHNICAL DRAWINGS / S 1 : 20



SET MODERNA R

Countertop basin

81354.6



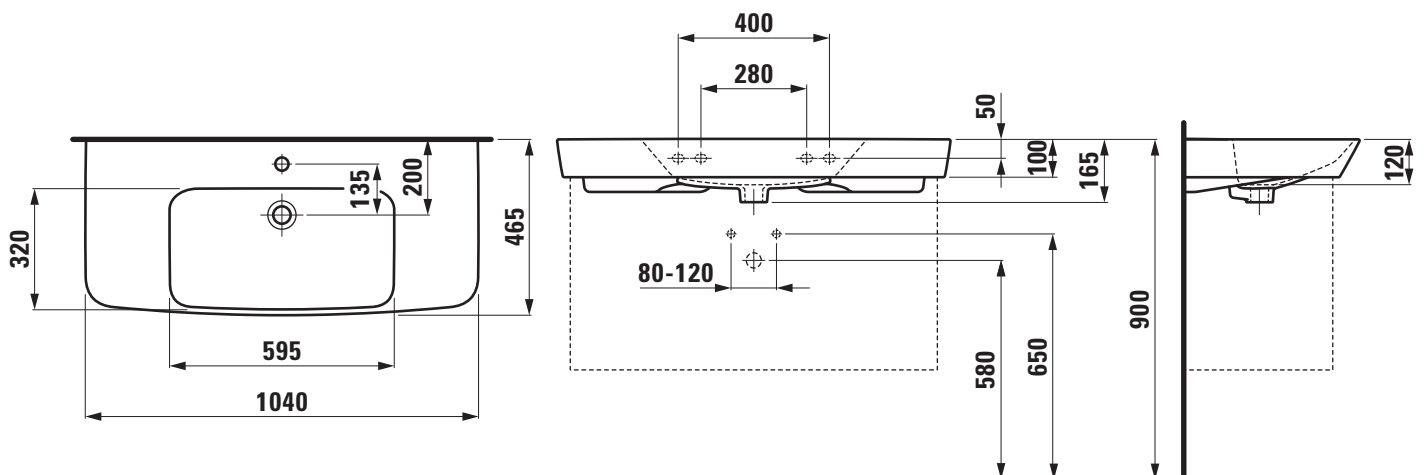
TECHNICAL DATA

Order no.	81354.6
Certified to	EN 31
Dimensions	1040 x 465 mm
Inside dimensions of the basin	595 x 320 mm
Specification	Always to be fixed to the wall. Ceramic shelf left and right Charge 104 – 1 centre tap hole
Special specification	Charge 109 – without tap hole
Weight	25,0 kg
Mounting acc. excl.	Mounting set M10 x 140 mm, order no. 89988.2
Colours	see colour table

SPECIFICATION TEXT

Countertop basin Laufen-MODERNA R, sanitary ceramic EN 31
dimensions 1040 x 465 mm, symmetric
1 centre tap hole
Special feature: overflow channel glazed, integrated shelf
Further options / accessories: without tap holes, bathtubs, faucets, furniture
Order no. 81354.6

TECHNICAL DRAWINGS / S 1 : 20



SET MODERNA R

Countertop basin, shelf left

81754.1



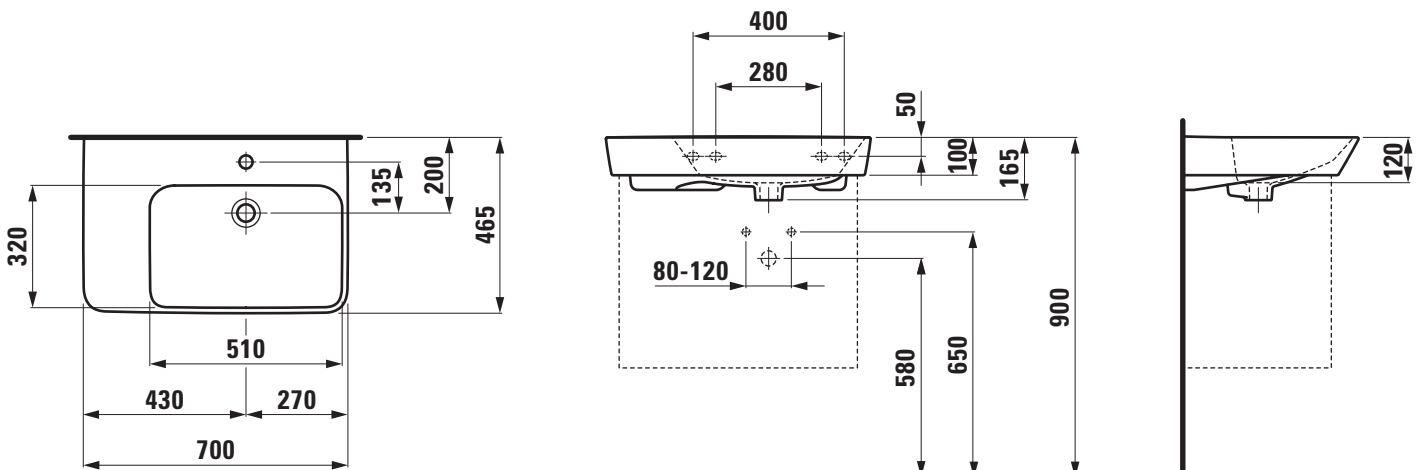
TECHNICAL DATA

Order no.	81754.1
Certified to	EN 31
Dimensions	700 x 465 mm
Inside dimensions of the basin	510 x 320 mm
Specification	Always to be fixed to the wall. Basin right, ceramic shelf left Charge 104 – 1 centre tap hole
Special specification	Charge 109 – without tap hole
Weight	16,7 kg
Mounting acc. excl.	Mounting set M10 x 140 mm, order no. 89988.2
Colours	see colour table

SPECIFICATION TEXT

Countertop basin Laufen-MODERNA R, sanitary ceramic EN 31
dimensions 700 x 465 mm, asymmetric basin right, 1 centre tap hole
Special feature: overflow channel glazed, integrated shelf
Further options / accessories: without tap holes, bathtubs, faucets, furniture
Order no. 81754.1

TECHNICAL DRAWINGS / S 1 : 20



SET MODERNA R
Countertop basin, shelf right
81754.2



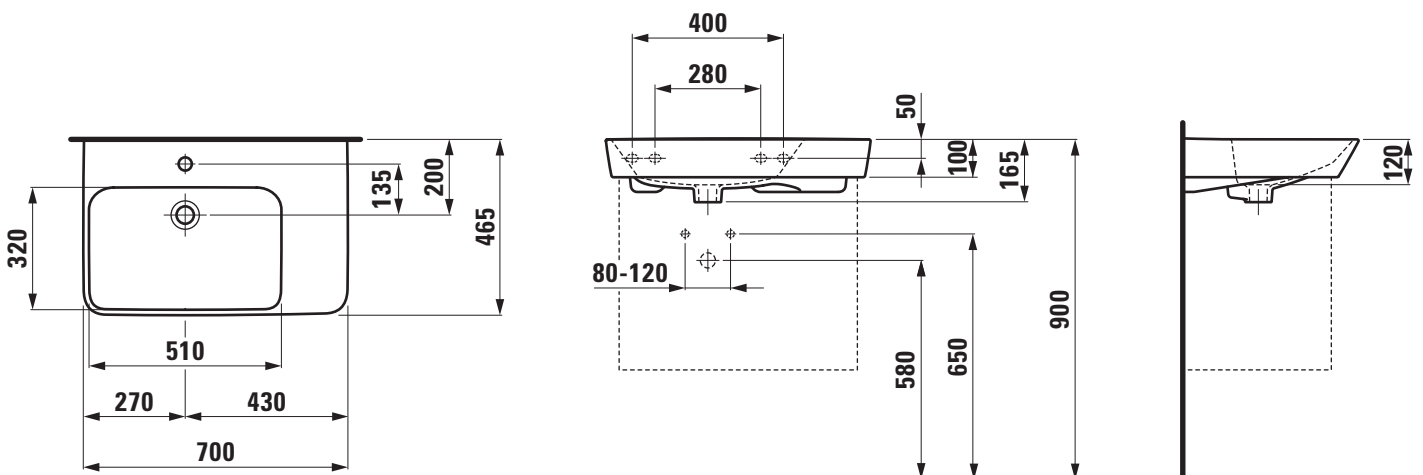
TECHNICAL DATA

Order no.	81754.2
Certified to	EN 31
Dimensions	700 x 465 mm
Inside dimensions of the basin	510 x 320 mm
Specification	Always to be fixed to the wall. Basin left, ceramic shelf right Charge 104 – 1 centre tap hole
Special specification	Charge 109 – without tap hole
Weight	16,7 kg
Mounting acc. excl.	Mounting set M10 x 140 mm, order no. 89988.2
Colours	see colour table

SPECIFICATION TEXT

Countertop basin Laufen-MODERNA R, sanitary ceramic EN 31
 dimensions 700 x 465 mm, asymmetric basin right, 1 centre tap hole
 Special feature: overflow channel glazed, integrated shelf
 Further options / accessories: without tap holes, bathtubs, faucets, furniture
 Order no. 81754.2

TECHNICAL DRAWINGS / S 1 : 20





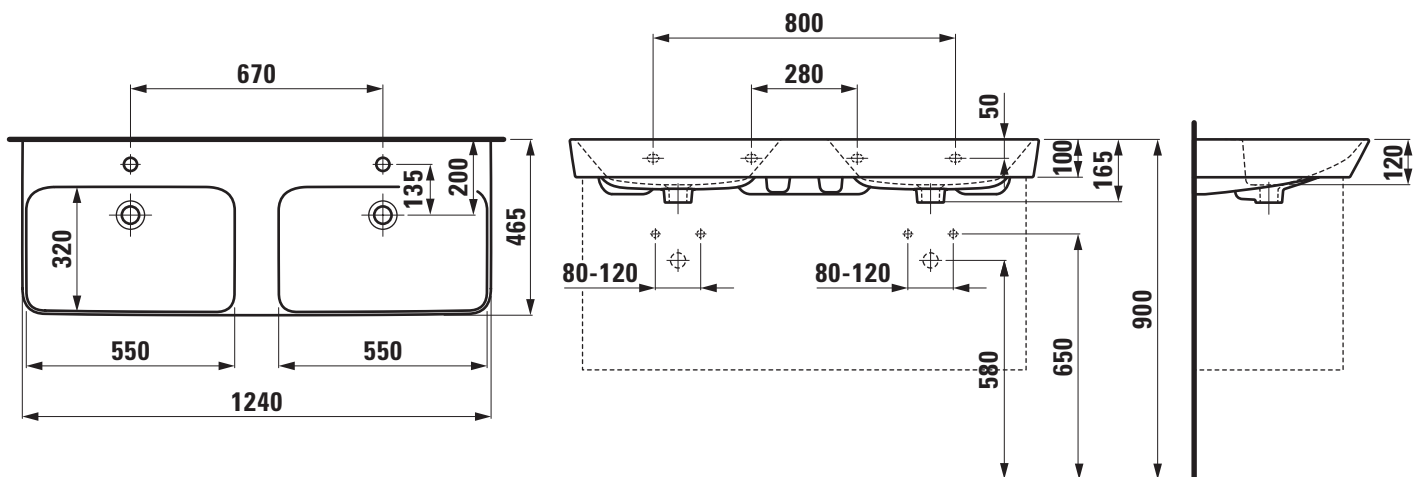
TECHNICAL DATA

Order no.	81454.2
Certified to	EN 31
Dimensions	1240 x 465 mm
Inside dimensions of the basin	per basin 550 x 320 mm
Specification	Always to be fixed to the wall. Charge 104 – per basin 1 centre tap hole per basin 1 overflow
Special specification	Charge 109 – without tap holes per basin 1 overflow
Weight	30,0 kg
Mounting acc. excl.	2x Mounting set M10 x 140 mm, order no. 89988.2
Colours	see colour table

SPECIFICATION TEXT

Double countertop basin Laufen-MODERNA R, sanitary ceramic EN 31
 dimensions 1240 x 465 mm, symmetric
 per basin 1 centre tap hole
 Special feature: overflow channel glazed
 Further options / accessories: without tap holes, bathtubs, faucets, furniture
 Order no. 81454.2

TECHNICAL DRAWINGS / S 1 : 20



SET MODERNA R

Washbasin undersurface ground 81654.3



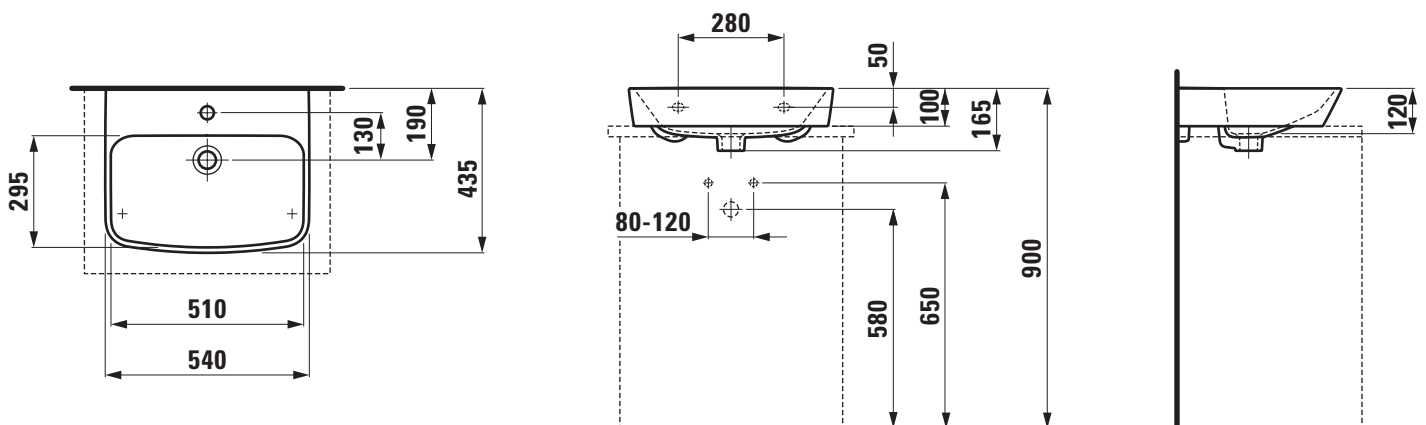
TECHNICAL DATA

Order no.	81654.3
Certified to	EN 31
Dimensions	540 x 435 mm
Inside dimensions of the basin	510 x 295 mm
Specification	Always to be fixed to the wall. Undersurface ground Charge 104 – 1 centre tap hole
Special specification	Charge 109 – without tap hole
Weight	12,0 kg
Mounting acc. incl.	Template, order no. 89954.1 Fastening kit, order no. 89194.0
Mounting acc. excl.	Mounting set M10 x 140 mm, order no. 89988.2
Colours	see colour table

SPECIFICATION TEXT

Washbasin undersurface ground Laufen-MODERNA R, sanitary ceramic EN 31
dimensions 540 x 435 mm, symmetric
1 centre tap hole
Special feature: overflow channel glazed
Further options / accessories: without tap holes, bathtubs, faucets, furniture
Order no. 81654.3

TECHNICAL DRAWINGS / S 1 : 20



SET MODERNA R

Washbasin undersurface ground 81654.5



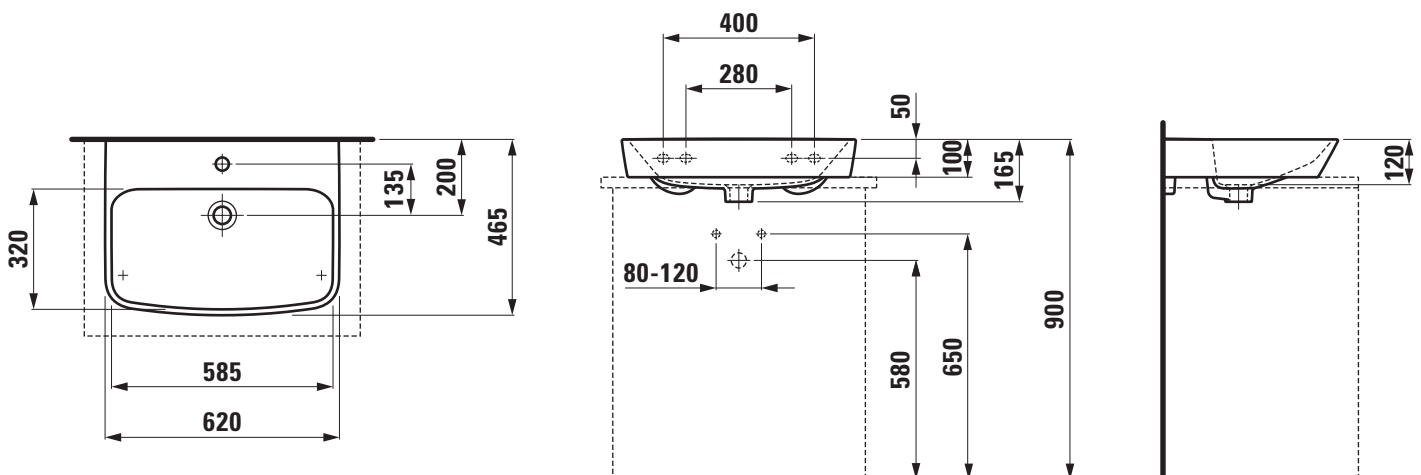
TECHNICAL DATA

Order no.	81654.5
Certified to	EN 31
Dimensions	620 x 465 mm
Inside dimensions of the basin	585 x 320 mm
Specification	Always to be fixed to the wall. Undersurface ground Charge 104 – 1 centre tap hole
Special specification	Charge 109 – without tap hole
Weight	14,3 kg
Mounting acc. incl.	Template, order no. 89954.2 Fastening kit, order no. 89194.0
Mounting acc. excl.	Mounting set M10 x 140 mm, order no. 89988.2
Colours	see colour table

SPECIFICATION TEXT

Washbasin undersurface ground Laufen-MODERNA R, sanitary ceramic EN 31
dimensions 620 x 465 mm, symmetric
1 centre tap hole
Special feature: overflow channel glazed
Further options / accessories: without tap holes, bathtubs, faucets, furniture
Order no. 81645.5

TECHNICAL DRAWINGS / S 1 : 20





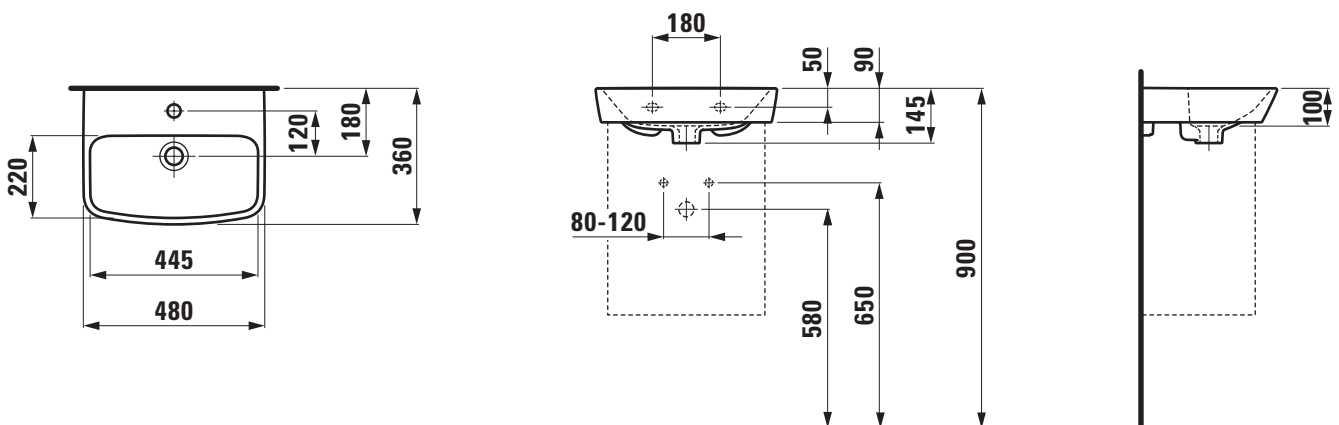
TECHNICAL DATA

Order no.	81554.3
Certified to	EN 31
Dimensions	480 x 360 mm
Inside dimensions of the basin	445 x 220 mm
Specification	Always to be fixed to the wall. Charge 104 – 1 centre tap hole
Special specification	Charge 109 – without tap holes Charge 111 – 1 centre tap hole, without overflow Charge 112 – without tap holes, without overflow
Weight	9,0 kg
Mounting acc. excl.	Mounting set M10 x 140 mm, order no. 89988.2
Colours	see colour table

SPECIFICATION TEXT

Countertop small washbasin MODERNA R, sanitary ceramic EN 31
 dimensions 480 x 360 mm, symmetric
 1 centre tap hole
 Special feature: overflow channel glazed
 Further options / accessories: without tap hole, 1 tap hole without overflow, without tap holes and overflow, bathtubs, faucets, furniture
 Order no. 81554.3

TECHNICAL DRAWINGS / S 1 : 20





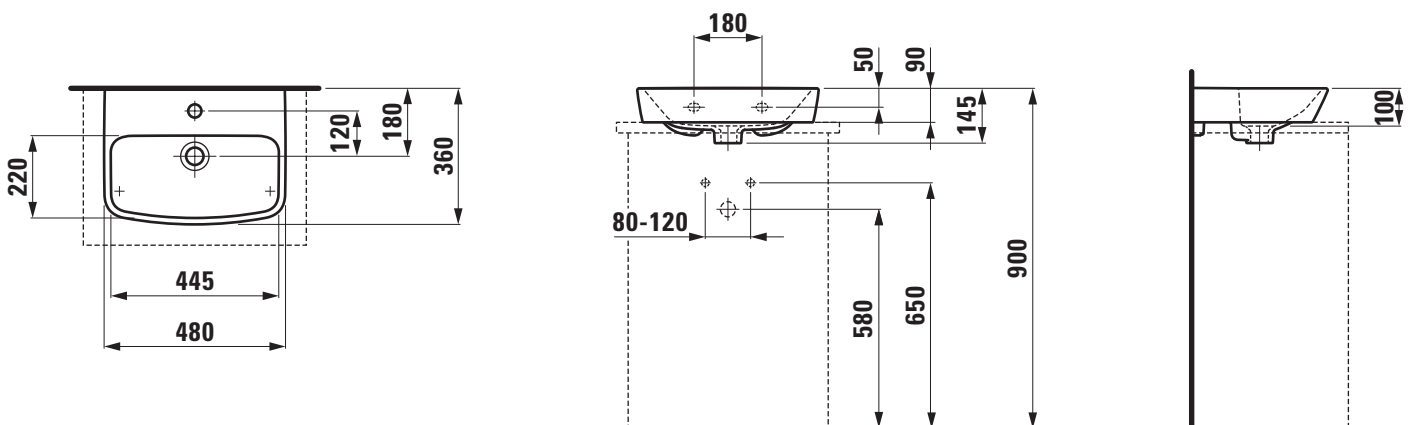
TECHNICAL DATA

Order no.	81654.2
Certified to	EN 31
Dimensions	480 x 360 mm
Inside dimensions of the basin	445 x 220 mm
Specification	Always to be fixed to the wall. Undersurface ground Charge 104 – 1 centre tap hole
Special specification	Charge 109 – without tap holes Charge 111 – 1 centre tap hole, without overflow Charge 112 – without tap holes, without overflow
Weight	9,0 kg
Mounting acc. incl.	Template, order no. 89954.0 Fastening kit, order no. 89194.0
Mounting acc. excl.	Mounting set M10 x 140 mm, order no. 89988.2
Colours	see colour table

SPECIFICATION TEXT

Small washbasin undersurface ground MODERNA R, sanitary ceramic EN 31
 dimensions 480 x 360 mm, symmetric
 1 centre tap hole
 Special feature: overflow channel glazed
 Further options / accessories: without tap hole, 1 tap hole without overflow, without tap holes and overflow, bathtubs, faucets, furniture
 Order no. 81654.2

TECHNICAL DRAWINGS / S 1 : 20





TECHNICAL DATA

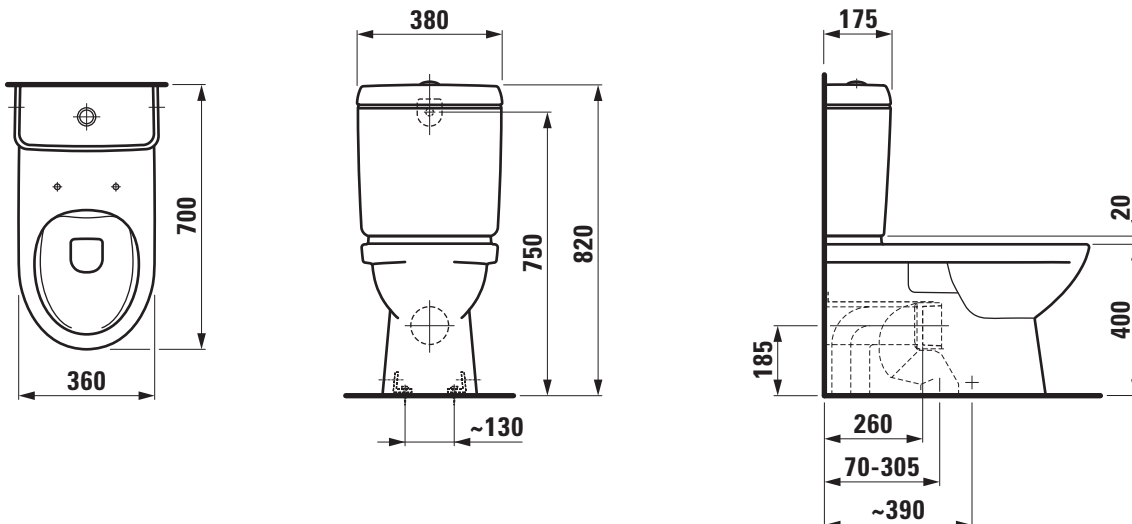
Order no.	82454.2
Certified to	EN 997, EN 33
Specification	rimless Washdown for 5/3-l-flush back to wall Charge 000 – 2 fixing holes, without lateral holes
Outlet	horizontal VARIO, vertical 70 - 305 mm
Weight	28,5 kg
Accessories excl.	Charge 000 – Cistern, order no. 82654.1, 82654.2, 82654.3 WC seat and cover, order no. 89354.2, 89354.3, 89654.0 WC seat and cover with automatic lowering system, order no. 89354.4, 89654.1 WC seat without cover, order no. 89354.7, 89654.2
Mounting acc. incl.	Fixing set, order no. 89175.7

Mounting acc. excl.	for VARIO outlet 70 - 205 mm use LAUFEN-connection set, order no. 89009.2 for VARIO outlet 220 - 305 mm use only LAUFEN-connection set, order no. 89902.5
Colours	see colour table

SPECIFICATION TEXT

Floorstanding WC pan rimless washdown Laufen-MODERNA R, sanitary ceramic, for cistern
EN 997, EN 33, 5/3-l-flush, dimensions 360 x 700 x 420 mm
outlet horizontal, VARIO vertical 70 - 305 mm
back to wall, concealed fixation
Special feature: rimless, concealed surfaces directing water are fully glazed throughout, vacuum checked
Further options / accessories: cistern 82654.1, 82654.2, 82654.3, WC seat without cover 89354.7, 89654.2, WC seat and cover 89354.2, 89354.3, 89654.0, WC seat and cover with automatic lowering 89354.4, 89654.1
Order no. 82454.2

TECHNICAL DRAWINGS / S 1 : 20





TECHNICAL DATA

Order no.	82454.1
Certified to	EN 997, EN 33
Specification	Washdown for 5/3-l-flush back to wall Charge 000 – 2 fixing holes, without lateral holes
Outlet	horizontal VARIO, vertical 70 - 305 mm
Weight	28,5 kg
Accessories excl.	Charge 000 – Cistern, order no. 82654.1, 82654.2, 82654.3 WC seat and cover, order no. 89354.2, 89354.3, 89654.0 WC seat and cover with automatic lowering system, order no. 89354.4, 89654.1 WC seat without cover, order no. 89354.7, 89654.2
Mounting acc. incl.	Fixing set, order no. 89175.7

Mounting acc. excl. for VARIO outlet 70 - 205 mm use
LAUFEN-connection set, order no. 89009.2
for VARIO outlet 220 - 305 mm use only
LAUFEN-connection set, order no. 89902.5

Colours see colour table

SPECIFICATION TEXT

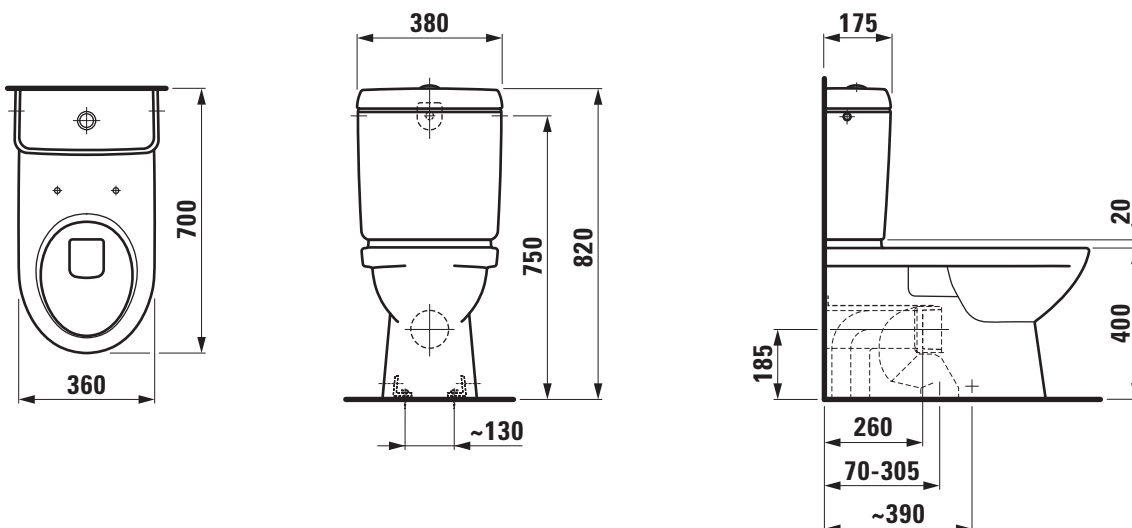
Floorstanding WC pan washdown Laufen-MODERNA R, sanitary ceramic, for cistern, EN 997, EN 33, 5/3-l-flush, dimensions 360 x 700 x 420 mm outlet horizontal, VARIO vertical 70 - 305 mm back to wall, concealed fixation

Special feature: concealed surfaces directing water are fully glazed throughout, closed water rim, vacuum checked

Further options / accessories: cistern 82654.1, 82654.2, 82654.3, WC seat without cover 89354.7, 89654.2, WC seat and cover 89354.2, 89354.3, 89654.0, WC seat and cover with automatic lowering 89354.4, 89654.1

Order no. 82454.1

TECHNICAL DRAWINGS / S 1 : 20



SET MODERNA R

Wallhung WC combination

82054.5



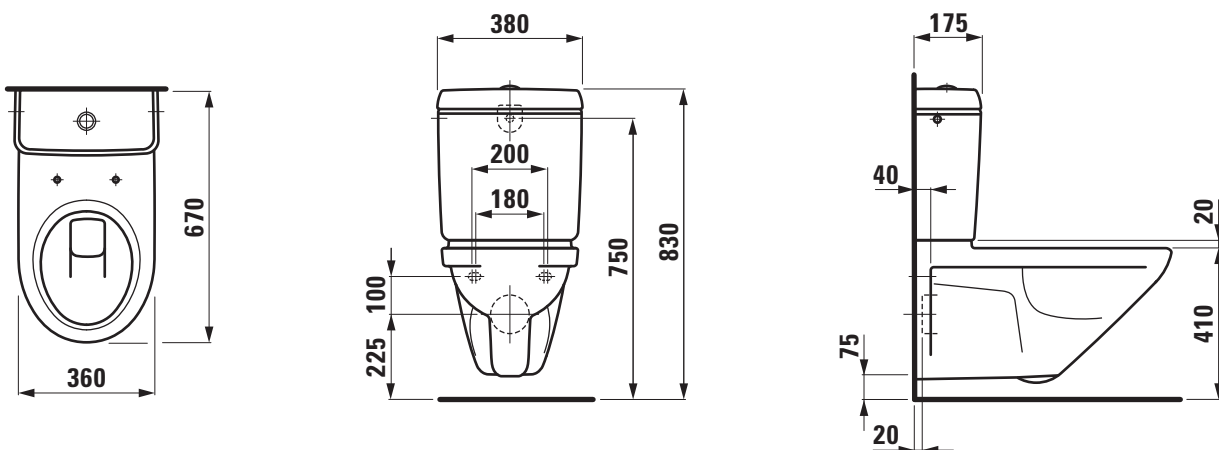
TECHNICAL DATA

Order no.	82054.5
Certified to	EN 997, EN 33
Specification	Washdown for 5/3-l-flush open water rim Charge 000 – without lateral holes
Outlet	horizontal
Weight	21,0 kg
Accessories excl.	Charge 000 – Cistern, order no. 82654.1, 82654.2 WC seat and cover, order no. 89354.2, 89354.3, 89654.0 WC seat and cover with automatic lowering system, order no. 89354.4, 89654.1 WC seat without cover, order no. 89354.7, 89654.2
Colours	see colour table

SPECIFICATION TEXT

Wallhung WC pan washdown Laufen-MODERNA R, sanitary ceramic, for cistern
EN 997, EN 33, 5/3-l-flush, dimensions 360 x 670 x 335 mm
outlet horizontal
Special feature: concealed surfaces directing water are fully glazed throughout, open water rim, vacuum checked
Further options / accessories: cistern 82654.1, 82654.2, WC seat without cover 89354.7, 89654.2, WC seat and cover 89354.2, 89354.3, 89654.0, WC seat and cover with automatic lowering 89354.4, 89654.1
Order no. 82054.5

TECHNICAL DRAWINGS / S 1 : 20





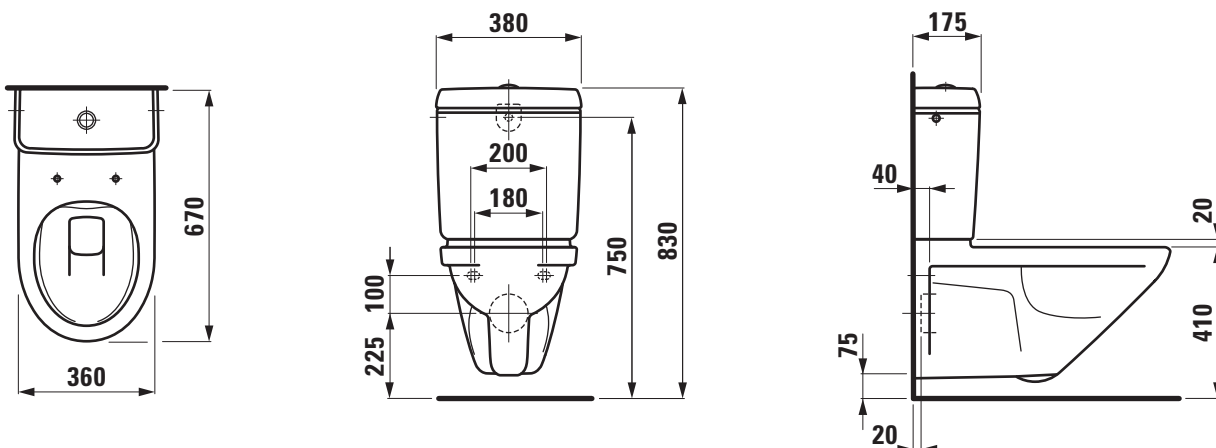
TECHNICAL DATA

Order no.	82054.9
Certified to	EN 997, EN 33
Specification	rimless Washdown for 5/3-l-flush Charge 000 – without lateral holes
Outlet	horizontal
Weight	21,0 kg
Accessories excl.	Charge 000 – Cistern, order no. 82654.1, 82654.2 WC seat and cover, order no. 89354.2, 89354.3, 89654.0 WC seat and cover with automatic lowering system, order no. 89354.4, 89654.1 WC seat without cover, order no. 89354.7, 89654.2
Colours	see colour table

SPECIFICATION TEXT

Wallhung WC rimless washdown Laufen-MODERNA R sanitary ceramic, for cistern
EN 997, EN 33, 5/3-l-flush, dimensions 360 x 670 x 335 mm
outlet horizontal
Special feature: rimless concealed surfaces directing water are fully glazed throughout, open water rim, vacuum checked
Further options / accessories: cistern 82654.1, 82654.2, WC seat without cover 89354.7, 89654.2, WC seat and cover 89354.2, 89354.3, 89654.0, WC seat and cover with automatic lowering 89354.4, 89654.1
Order no. 82054.9

TECHNICAL DRAWINGS / S 1 : 20





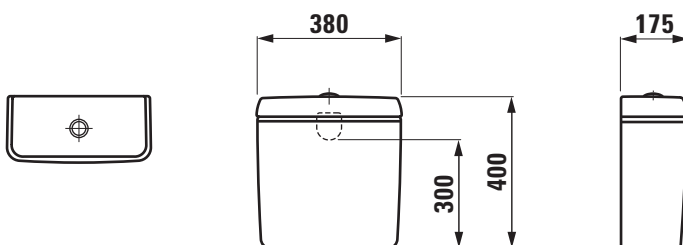
TECHNICAL DATA

Order no.	82654.1
Certified to	EN 14055
matching for	Floorstanding WC pan, order no. 82454.1, 82454.2 Wallhung WC pan, order no. 82054.5, 82054.9
Specification	Flushing mechanism Dual-Flush With water condensation insulation Charge 871 – 6/3-l-flush
Water inlet	rear, 1/2" brass
Weight	13,0 kg
Mounting acc. incl.	Fastening kit Angle valve for rear water inlet Water inlet hose
Colours	see colour table

SPECIFICATION TEXT

Cistern Laufen-MODERNA R, sanitary ceramic EN 14055, dimensions 380 x 175 x 400 mm
Dual-Flush 6/3-l
water inlet rear, 1/2" brass
matching floorstanding WC pan order no. 82454.1, 82454.2 and wallhung WC pan order no. 82054.5, 82054.9
Special feature: with condensation insulation
Order no. 82654.1

TECHNICAL DRAWINGS / S 1 : 20





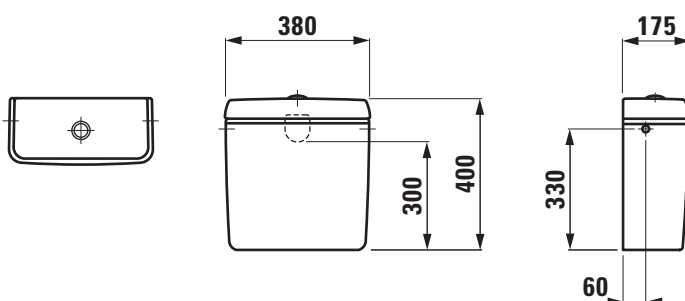
TECHNICAL DATA

Order no.	82654.2
Certified to	EN 14055
matching for	Floorstanding WC pan, order no. 82454.1, 82454.2 Wallhung WC pan, order no. 82054.5, 82054.9
Specification	Flushing mechanism Dual-Flush With water condensation insulation: Charge 872 – 6/3-l-flush
Water inlet	side left, side right, 3/8" brass
Weight	13,0 kg
Mounting acc. incl.	Fastening kit
Mounting acc. excl.	Angle valve for water inlet Water inlet hose
Colours	see colour table

SPECIFICATION TEXT

Cistern Laufen-MODERNA R, sanitary ceramic EN 14055, dimensions 380 x 175 x 400 mm
Dual-Flush 6/3-l
water inlet side left, side right, 3/8" brass
matching floorstanding WC pan order no. 82454.1, 82454.2 and
wallhung WC pan order no. 82054.5, 82054.9
Special feature: with water condensation insulation
Order no. 82654.2

TECHNICAL DRAWINGS / S 1 : 20





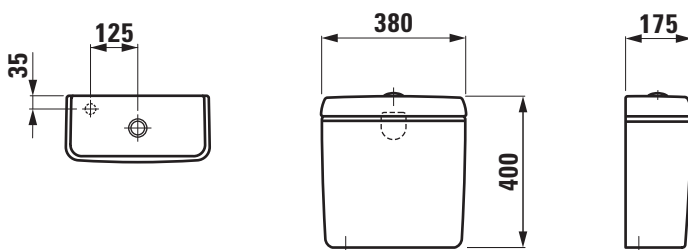
TECHNICAL DATA

Order no.	82654.3
matching for	Floorstanding WC pan, order no. 82454.1, 82454.2
Specification	Flushing mechanism Dual-Flush Without water condensation insulation Charge 873 – 6/3-l-flush
Water inlet	bottom left, 1/2" plastic
Weight	13,0 kg
Mounting acc. incl.	Fastening kit
Mounting acc. excl.	Angle valve for water inlet Water inlet hose
Colours	see colour table

SPECIFICATION TEXT

Cistern Laufen-MODERNA R, sanitary ceramic
dimensions 380 x 175 x 400 mm
Dual-Flush 6/3-l
water inlet bottom left, 1/2" plastic
matching floorstanding WC pan order no. 82454.1, 82454.2
Special feature: without water condensation insulation
Order no. 82654.3

TECHNICAL DRAWINGS / S 1 : 20



SET MODERNA R

Wallhung WC pan

82054.1



TECHNICAL DATA

Order no.	82054.1
Certified to	EN 997 / EN 33
Specification	Washdown for 5/3-l-flush open water rim
Outlet	horizontal
Weight	17,5 kg
Accessories excl.	WC seat and cover, order no. 89354.2, 89354.3, 89654.0 WC seat and cover with automatic lowering system, order no. 89354.4, 89654.1 WC seat without cover, order no. 89354.7, 89654.2
Colours	see colour table

SPECIFICATION TEXT

Wallhung WC pan washdown Laufen-MODERNA R, sanitary ceramic,
for concealed cistern

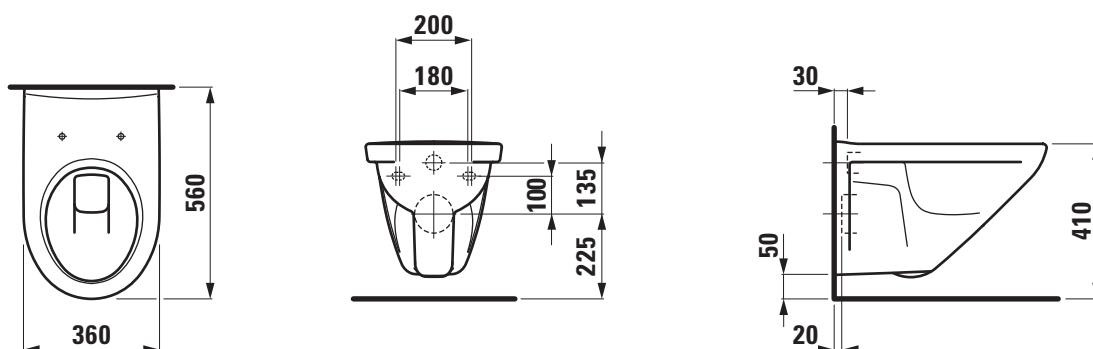
EN 997, EN 33, 5/3-l-flush, dimensions 360 x 560 x 360 mm

Special feature: concealed surfaces directing water are fully glazed
throughout, open water rim, vacuum checked

Further options / accessories: WC seat without cover 89354.7, 89654.2,
WC seat and cover 89354.2, 89354.3, 89654.0, WC seat and cover with
automatic lowering 89354.4, 89654.1

Order no. 82054.1

TECHNICAL DRAWINGS / S 1 : 20



SET MODERNA R

Wallhung WC rimless

82054.2



TECHNICAL DATA

Order no.	82054.2
Certified to	EN 997 / EN 33
Specification	rimless Washdown for 6/3-l-flush
Outlet	horizontal
Weight	17,0 kg
Accessories excl.	WC seat and cover, order no. 89354.2, 89354.3, 89654.0 WC seat and cover with automatic lowering system, order no. 89354.4, 89654.1 WC seat without cover, order no. 89354.7, 89654.2
Colours	see colour table

SPECIFICATION TEXT

Wallhung WC rimless washdown Laufen-MODERNA R, sanitary ceramic, for concealed cistern

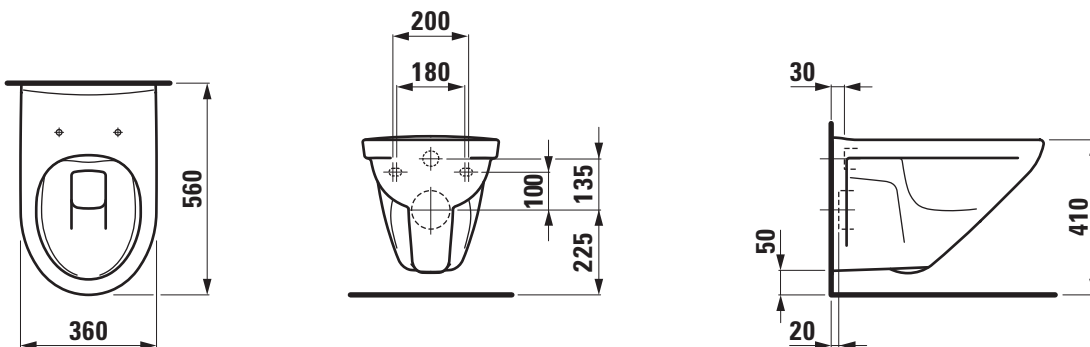
EN 997, EN 33, 6/3-l-flush, dimensions 360 x 560 x 360 mm

Special feature: rimless, concealed surfaces directing water are fully glazed throughout, vacuum checked

Further options / accessories: WC seat without cover 89354.7, 89654.2, WC seat and cover 89354.2, 89354.3, 89654.0, WC seat and cover with automatic lowering 89354.4, 89654.1

Order no. 82054.2

TECHNICAL DRAWINGS / S 1 : 20



SET MODERNA R
Wallhung WC pan Compact
82054.3



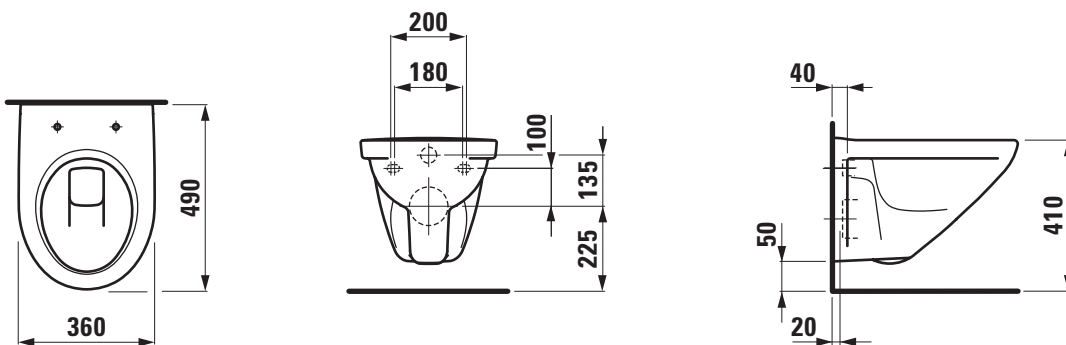
TECHNICAL DATA

Order no.	82054.3
Certified to	EN 997 / EN 33
Specification	Washdown for 5/3-l-flush open water rim
Outlet	horizontal
Weight	14,0 kg
Accessories excl.	WC seat and cover, order no. 89354.2, 89354.3, 89654.0 WC seat and cover with automatic lowering system, order no. 89354.4, 89654.1 WC seat without cover, order no. 89354.7, 89654.2
Colours	see colour table

SPECIFICATION TEXT

Compact wallhung WC pan washdown Laufen-MODERNA R, sanitary ceramic, for concealed cistern
 EN 997, EN 33, 5/3-l-flush, dimensions 360 x 490 x 340 mm
 Special feature: concealed surfaces directing water are fully glazed throughout, open water rim, vacuum checked
 Further options / accessories: WC seat without cover 89354.7, 89654.2, WC seat and cover 89354.2, 89354.3, 89654.0, WC seat and cover with automatic lowering 89354.4, 89654.1
 Order no. 82054.3

TECHNICAL DRAWINGS / S 1 : 20



SET MODERNA R

Wallhung WC rimless Compact

82054.4



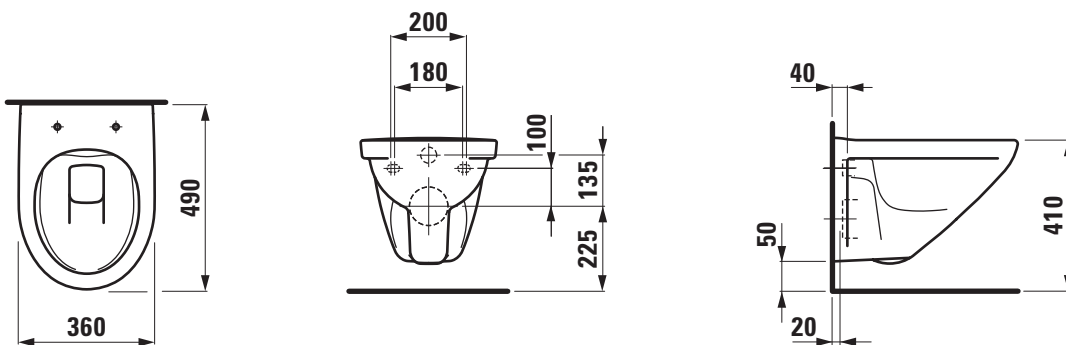
TECHNICAL DATA

Order no.	82054.4
Certified to	EN 997 / EN 33
Specification	rimless Washdown for 5/3-l-flush
Outlet	horizontal
Weight	14,0 kg
Accessories excl.	WC seat and cover, order no. 89354.2, 89354.3, 89654.0 WC seat and cover with automatic lowering system, order no. 89354.4, 89654.1 WC seat without cover, order no. 89354.7, 89654.2
Colours	see colour table

Compact wallhung WC rimless washdown Laufen-MODERNA R, sanitary ceramic, for concealed cistern
EN 997, EN 33, 5/3-l-flush, dimensions 360 x 490 x 340 mm
Special feature: rimless, concealed surfaces directing water are fully glazed throughout, vacuum checked
Further options / accessories: WC seat without cover 89354.7, 89654.2, WC seat and cover 89354.2, 89354.3, 89654.0, WC seat and cover with automatic lowering 89354.4, 89654.1
Order no. 82054.4

SPECIFICATION TEXT

TECHNICAL DRAWINGS / S 1 : 20



SET MODERNA R

Wallhung WC pan Comfort

82054.6



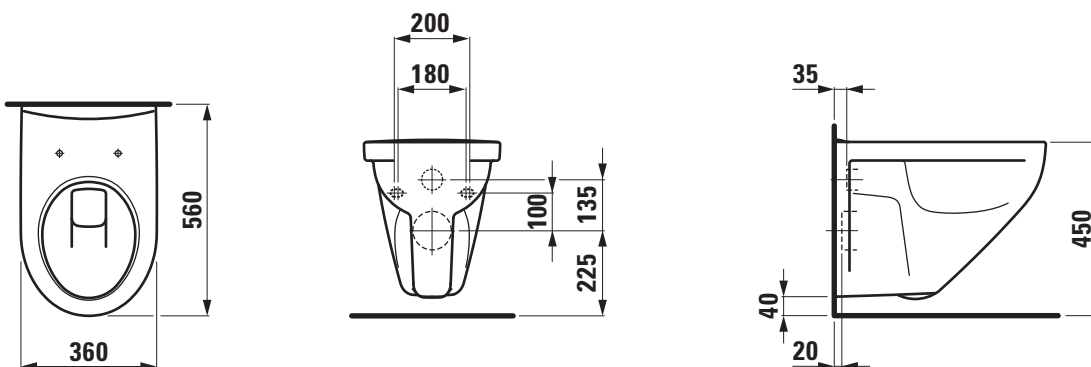
TECHNICAL DATA

Order no.	82054.6
Certified to	EN 997 / EN 33
Specification	Washdown for 6/3-l-flush closed water rim
Outlet	horizontal
Weight	20,0 kg
Accessories excl.	WC seat and cover, order no. 89354.2, 89354.3, 89654.0 , 89895.0 WC seat and cover with automatic lowering system, order no. 89354.4, 89654.1 WC seat without cover, order no. 89354.7, 89654.2 , 89895.1
Colours	see colour table

SPECIFICATION TEXT

Comfort wallhung WC pan washdown Laufen-MODERNA R, sanitary ceramic, for concealed cistern
EN 997, EN 33, 6/3-l-flush, dimensions 360 x 560 x 410 mm
elevated a seated height with WC seat of 480 mm
Special feature: concealed surfaces directing water are fully glazed throughout, closed water rim, vacuum checked
Further options / accessories: WC seat without cover 89354.7, 89654.2, 89895.1, WC seat and cover 89354.2, 89354.3, 89654.0, 89895.0, WC seat and cover with automatic lowering 89354.4, 89654.1
Order no. 82054.6

TECHNICAL DRAWINGS / S 1 : 20



SET MODERNA R

Wallhung WC rimless Comfort

82154.6



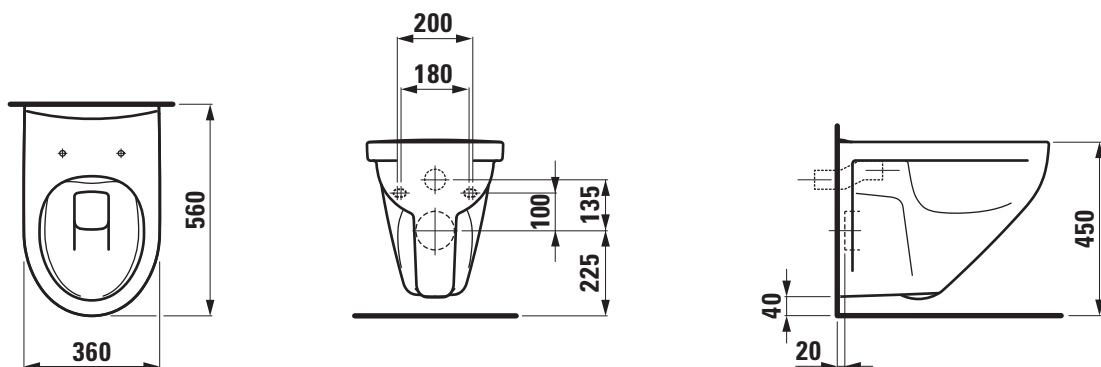
TECHNICAL DATA

Order no.	82154.6
Certified to	EN 997 / EN 33
Specification	rimless Washdown for 6/3-l-flush
Outlet	horizontal
Weight	20,0 kg
Accessories excl.	WC seat and cover, order no. 89354.2, 89354.3, 89654.0 , 89895.0 WC seat and cover with automatic lowering system, order no. 89354.4, 89654.1 WC seat without cover, order no. 89354.7, 89654.2 , 89895.1
Mounting acc. incl.	Water inlet pipe, order no. 89325.7
Colours	see colour table

SPECIFICATION TEXT

Comfort wallhung WC rimless washdown Laufen-MODERNA R sanitary ceramic, for concealed cistern
EN 997, EN 33, 6/3-l-flush, dimensions 360 x 560 x 410 mm
elevated a seated height with WC seat of 480 mm
Special feature: rimless, concealed surfaces directing water are fully glazed throughout, closed water rim, vacuum checked
Further options / accessories: WC seat without cover 89354.7, 89654.2, 89895.1, WC seat and cover 89354.2, 89354.3, 89654.0, 89895.0, WC seat and cover with automatic lowering 89354.4, 89654.1
Order no. 82154.6

TECHNICAL DRAWINGS / S 1 : 20





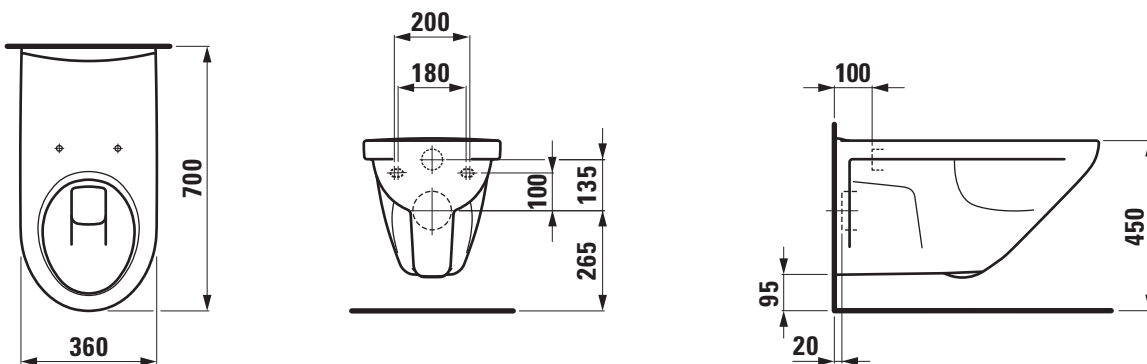
TECHNICAL DATA

Order no.	82054.7
Certified to	EN 997 / EN 33
Specification	Washdown for 6/3-l-flush, length 700 mm open water rim
Outlet	horizontal
Weight	24,0 kg
Accessories excl.	WC seat and cover, order no. 89354.2, 89354.3, 89895.0 WC seat without cover, order no. 89354.7, 89895.1
Colours	see colour table

SPECIFICATION TEXT

Barrier free wallhung WC pan washdown Laufen-MODERNA R, sanitary ceramic, for concealed cistern
EN 997, EN 33, 6/3-l-flush, dimensions 360 x 700 x 355 mm
accessible by wheelchair, length 700 mm, higher mounting necessary to achieve a seated height of 480 mm
Special feature: concealed surfaces directing water are fully glazed throughout, open water rim, vacuum checked
Further options / accessories: WC seat without cover 89354.7, 89895.1, WC seat and cover 89354.2, 89354.3, 89895.0
Order no. 82054.7

TECHNICAL DRAWINGS / S 1 : 20



**Barrier free wallhung WC rimless pan
82154.7**



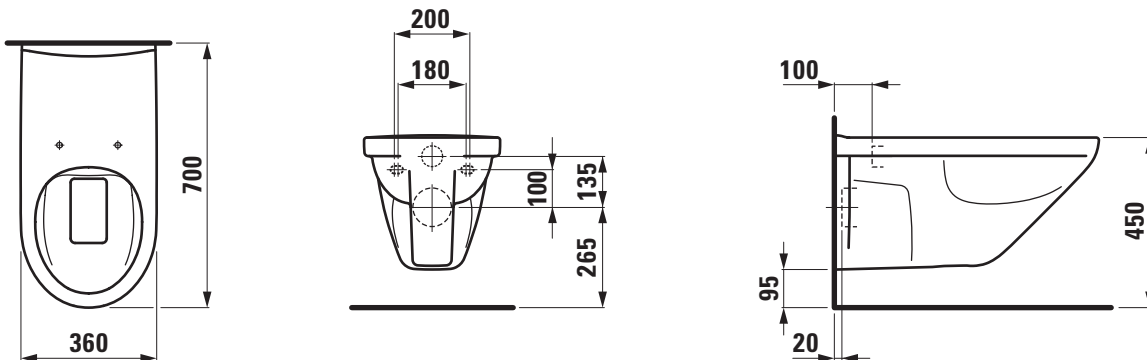
TECHNICAL DATA

Order no.	82154.7
Certified to	EN 997 / EN 33
Specification	rimless Washdown for 6/3-l-flush, length 700 mm
Outlet	horizontal
Weight	24,0 kg
Accessories excl.	WC seat and cover, order no. 89354.2, 89354.3, 89895.0 WC seat without cover, order no. 89354.7, 89895.1
Colours	see colour table

SPECIFICATION TEXT

Barrier free wallhung WC rimless washdown Laufen-MODERNA R, sanitary ceramic, for concealed cistern
EN 997, EN 33, 6/3-l-flush, dimensions 360 x 700 x 355 mm
accessible by wheelchair, length 700 mm, higher mounting necessary to achieve a seated height of 480 mm
Special feature: rimless, concealed surfaces directing water are fully glazed throughout, vacuum checked
Further options / accessories: WC seat without cover 89354.7, 89895.1, WC seat and cover 89354.2, 89354.3, 89895.0
Order no. 82154.7

TECHNICAL DRAWINGS / S 1 : 20



SET MODERNA R
WC Seat and cover
89354.2



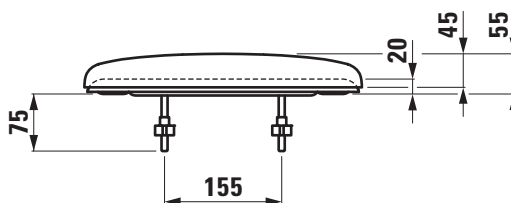
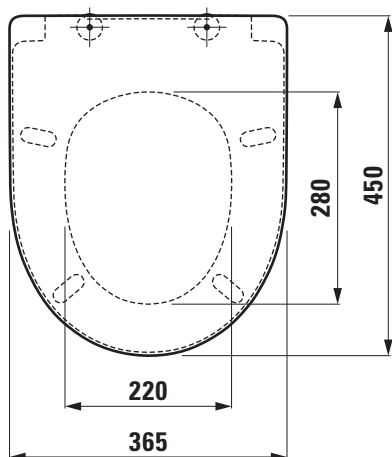
TECHNICAL DATA

Order no.	89354.2
matching for	Floorstanding WC pan, order no. 82454.1, 82454.2 Wallhung WC pan, order no. 82054.1, 82054.2, 82054.3, 82054.4, 82054.5, 82054.6, 82054.7, 82054.9, 82154.6, 82154.7
Specification	removable hinge metal, with allen screw
Weight	2,5 kg
Mounting acc.	included
Colours	see colour table

SPECIFICATION TEXT

WC seat and cover Laufen-MODERNA R, Duroplast hinge metal, with allen screw, removable matching floorstanding WC pan, order no. 82454.1, 82454.2 and wallhung WC pan, order no. 82054.1, 82054.2, 82054.3, 82054.4, 82054.5, 82054.6, 82054.7, 82054.9, 82154.6, 82154.7
 Order no. 89354.2

TECHNICAL DRAWINGS / S 1 : 10



SET MODERNA R
WC Seat and cover
89354.3



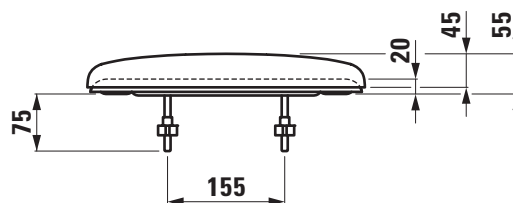
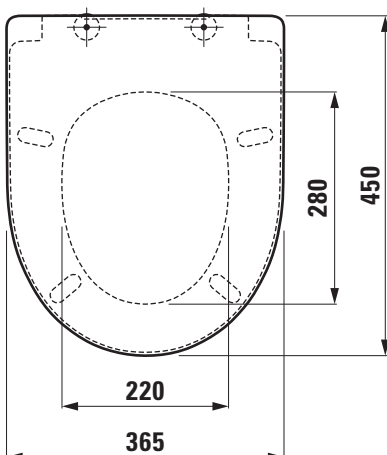
TECHNICAL DATA

Order no.	89354.3
matching for	Floorstanding WC pan, order no. 82454.1, 82454.2 Wallhung WC pan, order no. 82054.1, 82054.2, 82054.3, 82054.4, 82054.5, 82054.6, 82054.7, 82054.9, 82154.6, 82154.7
Specification	removable hinge metal, with knurled screw
Weight	2,5 kg
Mounting acc.	included
Colours	see colour table

SPECIFICATION TEXT

WC seat and cover Laufen-MODERNA R, Duroplast hinge metal, with knurled screw, removable matching floorstanding WC pan, order no. 82454.1, 82454.2 and wallhung WC pan, order no. 82054.1, 82054.2, 82054.3, 82054.4, 82054.5, 82054.6, 82054.7, 82054.9, 82154.6, 82154.7
 Order no. 89354.3

TECHNICAL DRAWINGS / S 1 : 10



**WC Seat and cover with automatic lowering system
89354.4**



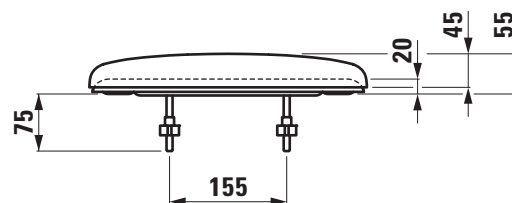
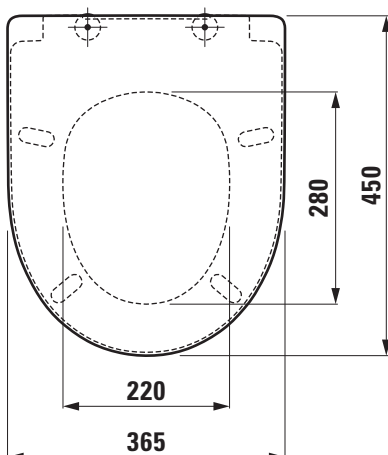
TECHNICAL DATA

Order no.	89354.4
matching for	Floorstanding WC pan, order no. 82454.1, 82454.2 Wallhung WC pan, order no. 82054.1, 82054.2, 82054.3, 82054.4, 82054.5, 82054.6, 82054.9, 82154.6
Specification	removable with automatic lowering system
Weight	2,5 kg
Mounting acc.	included
Colours	see colour table

SPECIFICATION TEXT

WC seat and cover Laufen-MODERNA R, Duroplast removable, automatic lowering system
matching floorstanding WC pan, order no. 82454.1, 82454.2 and wallhung WC pan, order no. 82054.1, 82054.2, 82054.3, 82054.4, 82054.5, 82054.6, 82054.9, 82154.6
Order no. 89354.4

TECHNICAL DRAWINGS / S 1 : 10



SET MODERNA R
WC Seat without cover
89354.7



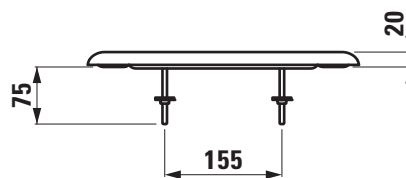
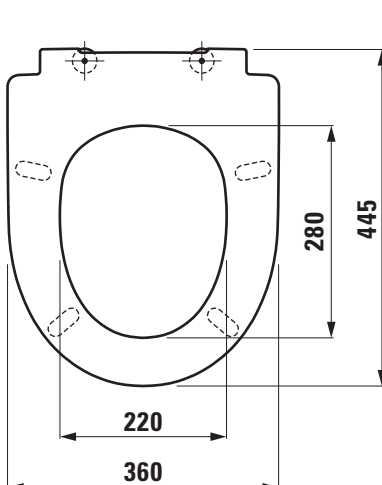
TECHNICAL DATA

Order no.	89354.7
matching for	Floorstanding WC pan, order no. 82454.1, 82454.2 Wallhung WC pan, order no. 82054.1, 82054.2, 82054.3, 82054.4, 82054.5, 82054.6, 82054.7, 82054.9, 82154.6, 82154.7
Specification	removable
Weight	1,0 kg
Mounting acc.	included
Colours	see colour table

SPECIFICATION TEXT

WC seat without cover Laufen-MODERNA R, Duroplast removable
 matching floorstanding WC pan, order no. 82454.1, 82454.2 and wallhung WC pan, order no. 82054.1, 82054.2, 82054.3, 82054.4, 82054.5, 82054.6, 82054.7, 82054.9, 82154.6, 82154.7
 Order no. 89354.7

TECHNICAL DRAWINGS / S 1 : 10



SET MODERNA R

Barrier free seat and cover

89895.0



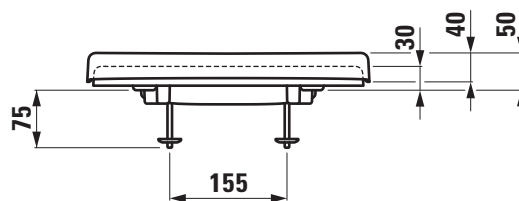
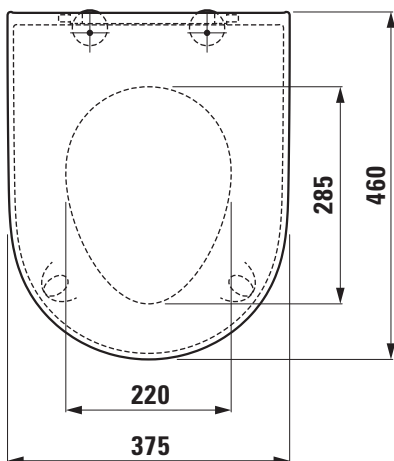
TECHNICAL DATA

Order no.	89895.0
matching for	Wallhung WC pan, order no. 82054.6, 82054.7, 82154.6, 82154.7
Specification	removable
Weight	3,8 kg
Mounting acc.	included
Colours	see colour table

SPECIFICATION TEXT

Barrier free WC seat and cover Laufen-MODERNA R, Duroplast removable
matching wallhung WC pan, order no. 82054.6, 82054.7, 82154.6, 82154.7
Special feature: special strong and robust hinges and buffers
Order no. 89895.0

TECHNICAL DRAWINGS / S 1 : 10



SET MODERNA R

Barrier free seat

89895.1



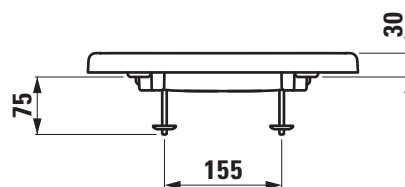
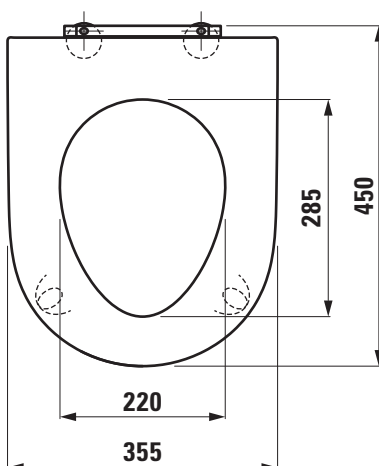
TECHNICAL DATA

Order no.	89895.1
matching for	Wallhung WC pan, order no. 82095.3, 82095.4, 82154.6
Specification	removable
Weight	2,0 kg
Mounting acc.	included
Colours	see colour table

SPECIFICATION TEXT

Barrier free WC seat Laufen-MODERNA R, Duroplast removable
matching wallhung WC pan, order no. 82054.3, 82054.4, 82154.6
Special feature: special strong and robust hinges and buffers
Order no. 89895.1

TECHNICAL DRAWINGS / S 1 : 10



SET MODERNA R
WC Seat and cover slim
89654.0



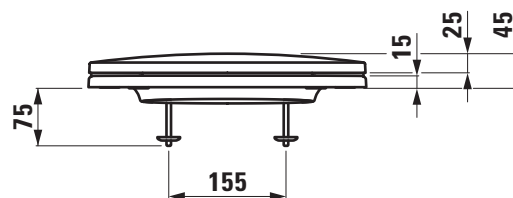
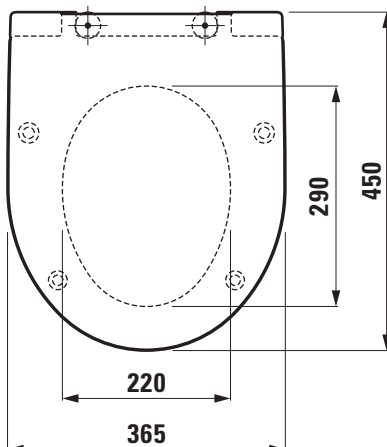
TECHNICAL DATA

Order no.	89654.0
matching for	Floorstanding WC pan, order no. 82454.1, 82454.2 Wallhung WC pan, order no. 82054.1, 82054.2, 82054.3, 82054.4, 82054.5, 82054.6, 82054.9, 82154.6
Specification	removable, quick release
Weight	2,0 kg
Mounting acc.	included
Colours	see colour table

SPECIFICATION TEXT

WC seat and cover slim Laufen-MODERNA R, Duroplast hinge metal, with allen screw, removable matching floorstanding WC pan, order no. 82454.1, 82454.2 and wallhung WC pan, order no. 82054.1, 82054.2, 82054.3, 82054.4, 82054.5, 82054.6, 82054.9, 82154.6
 Order no. 89654.0

TECHNICAL DRAWINGS / S 1 : 10



WC Seat and cover slim with automatic lowering system
89654.1



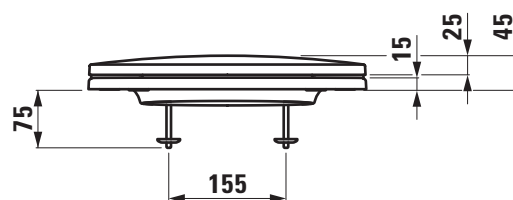
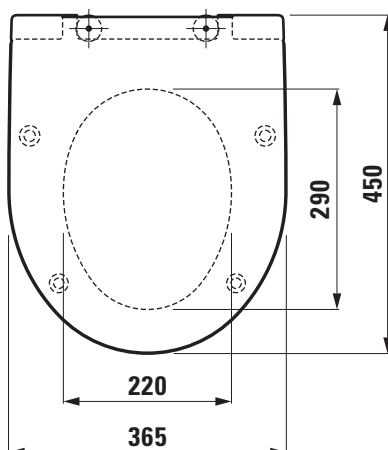
TECHNICAL DATA

Order no.	89654.1
matching for	Floorstanding WC pan, order no. 82454.1, 82454.2 Wallhung WC pan, order no. 82054.1, 82054.2, 82054.3, 82054.4, 82054.5, 82054.6, 82054.9, 82154.6
Specification	removable, quick release with automatic lowering system
Weight	2,0 kg
Mounting acc.	included
Colours	see colour table

SPECIFICATION TEXT

WC seat and cover slim Laufen-MODERNA R, Duroplast removable, automatic lowering system matching floorstanding WC pan, order no. 82454.1, 82454.2 and wallhung WC pan, order no. 82054.1, 82054.2, 82054.3, 82054.4, 82054.5, 82054.6, 82054.9, 82154.6
 Order no. 89654.1

TECHNICAL DRAWINGS / S 1 : 10



SET MODERNA R
WC Seat slim without cover
89654.2



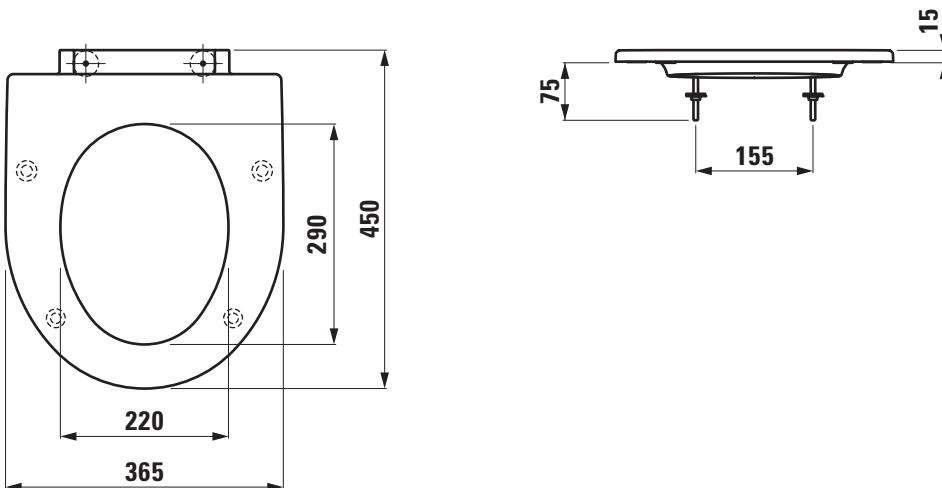
TECHNICAL DATA

Order no.	89654.2
matching for	Floorstanding WC pan, order no. 82454.1, 82454.2 Wallhung WC pan, order no. 82054.1, 82054.2, 82054.3, 82054.4, 82054.5, 82054.6, 82054.9, 82154.6
Specification	removable
Weight	1,0 kg
Mounting acc.	included
Colours	see colour table

SPECIFICATION TEXT

WC seat without cover slim Laufen-MODERNA R, Duroplast removable
 matching floorstanding WC pan, order no. 82454.1, 82454.2 and wallhung WC pan, order no. 82054.1, 82054.2, 82054.3, 82054.4, 82054.5, 82054.6, 82054.9, 82154.6
 Order no. 89654.2

TECHNICAL DRAWINGS / S 1 : 10



SET MODERNA R
Floorstanding bidet
83254.2



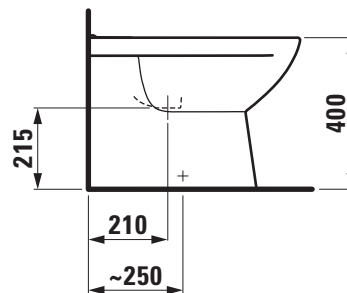
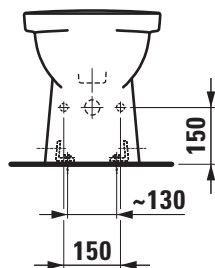
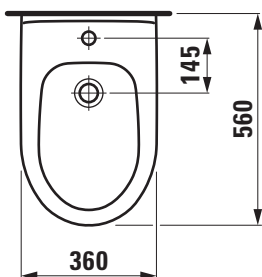
TECHNICAL DATA

Order no.	83254.2
Certified to	EN 35
Specification	back to wall Charge 302 – 1 centre tap hole
Weight	21,0 kg
Mounting acc. incl.	Device for fixing, order no. 89175.7
Colours	see colour table

SPECIFICATION TEXT

Floorstanding bidet Laufen-MODERNA R, sanitary ceramic
 EN 35, dimensions 360 x 560 x 400 mm
 1 centre tap hole
 back to wall, concealed fixation
 Special feature: overflow channel glazed, vacuum checked
 Order no. 83254.2

TECHNICAL DRAWINGS / S 1 : 20



SET MODERNA R

Wallhung bidet

83054.2



TECHNICAL DATA

Order no.	83054.2
Certified to	EN 36
Specification	Charge 304 – 1 centre tap hole with 2 lateral mounting holes for water connection
Weight	17,0 kg
Colours	see colour table

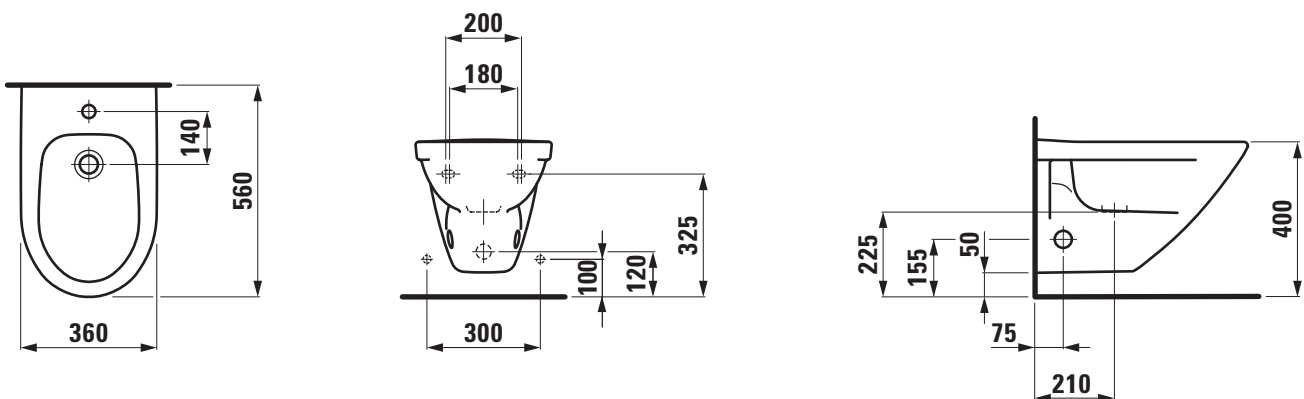
SPECIFICATION TEXT

Wallhung bidet Laufen-MODERNA R, sanitary ceramic
EN 36, dimensions 360 x 560 x 350 mm

1 centre tap hole, lateral mounting holes for water connection
Special feature: overflow channel glazed, vacuum checked

Order no. 83054.2

TECHNICAL DRAWINGS / S 1 : 20



LAUFEN PRO S

SET LAUFEN PRO S

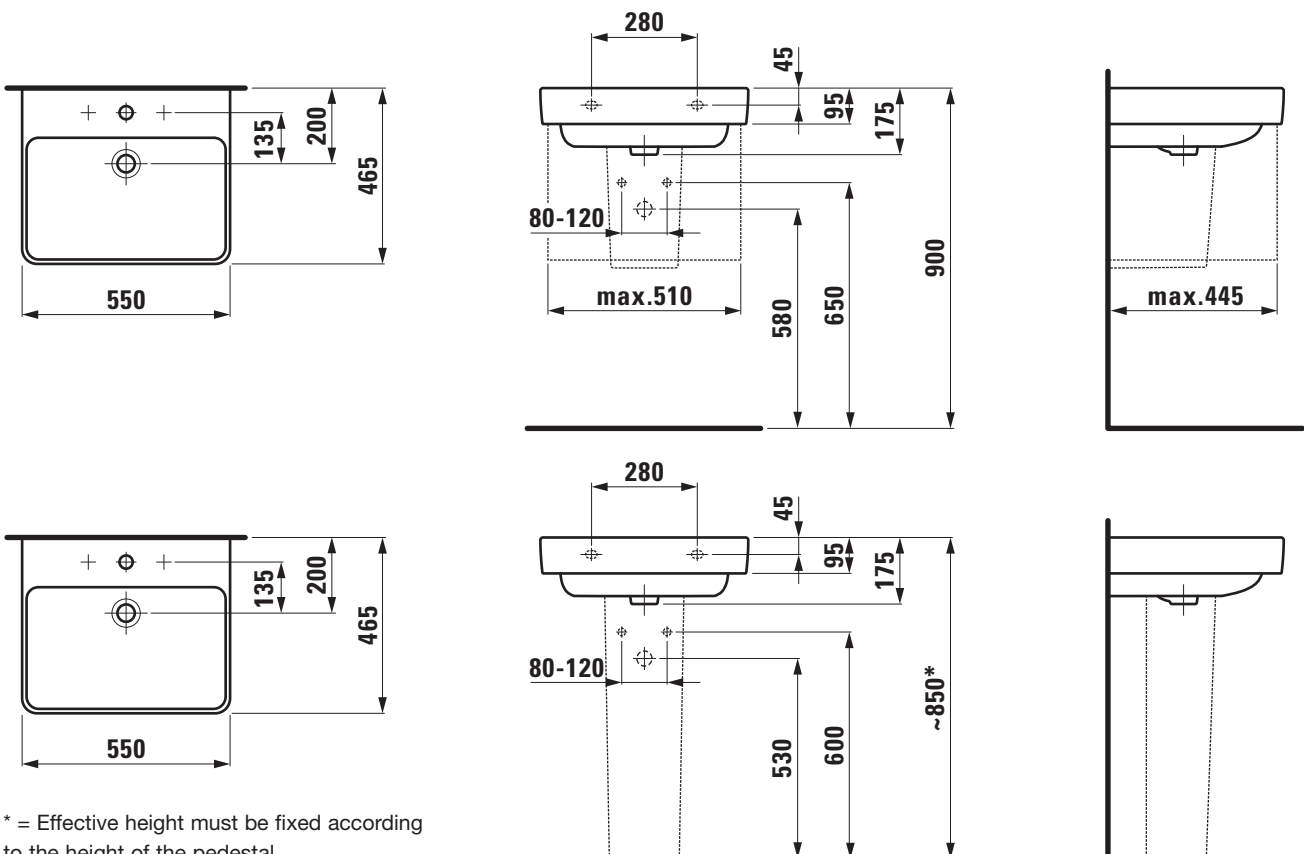
Countertop basin 81096.2



TECHNICAL DATA

Order no.	81096.2	Accessories excl.	Siphon cover, order no. 81996.3 (3 tap holes not possible)
Certified to	EN 31		Pedestal, order no. 81996.2
Dimensions	550 x 465 mm	Mounting acc. excl.	Mounting set M10 x 140 mm, order no. 89988.2
Inside dimensions of the basin	510 x 303 mm	Colours	see colour table
matching for	Vanity unit Laufen Pro S, order no. 48335.1, 48335.2	SPECIFICATION TEXT	
Specification	Charge 104 – 1 centre tap hole	Countertop basin LAUFEN PRO S, sanitary ceramic EN 31, dimensions 550 x 465 mm, angular 1 centre tap hole	
Special specification	Charge 108 – 3 tap holes Charge 109 – without tap hole Charge 136 – 3 tap holes, distance 8 inches Charge 142 – without tap hole, without overflow and without open drain Charge 156 – 1 centre tap hole, without overflow and without open drain	Special feature: overflow channel glazed Further options / accessories: Surface refinement LCC (only white), 3 tap holes, without tap holes, 3 tap holes distance 8 inches, without tap holes/ overflow and open drain, 1 tap hole/without overflow and open drain, pedestal, bathtubs, vanity unit, furniture Order no. 81096.2	
Weight	16,0 kg		

TECHNICAL DRAWINGS / S 1 : 20



* = Effective height must be fixed according to the height of the pedestal.

SET LAUFEN PRO S

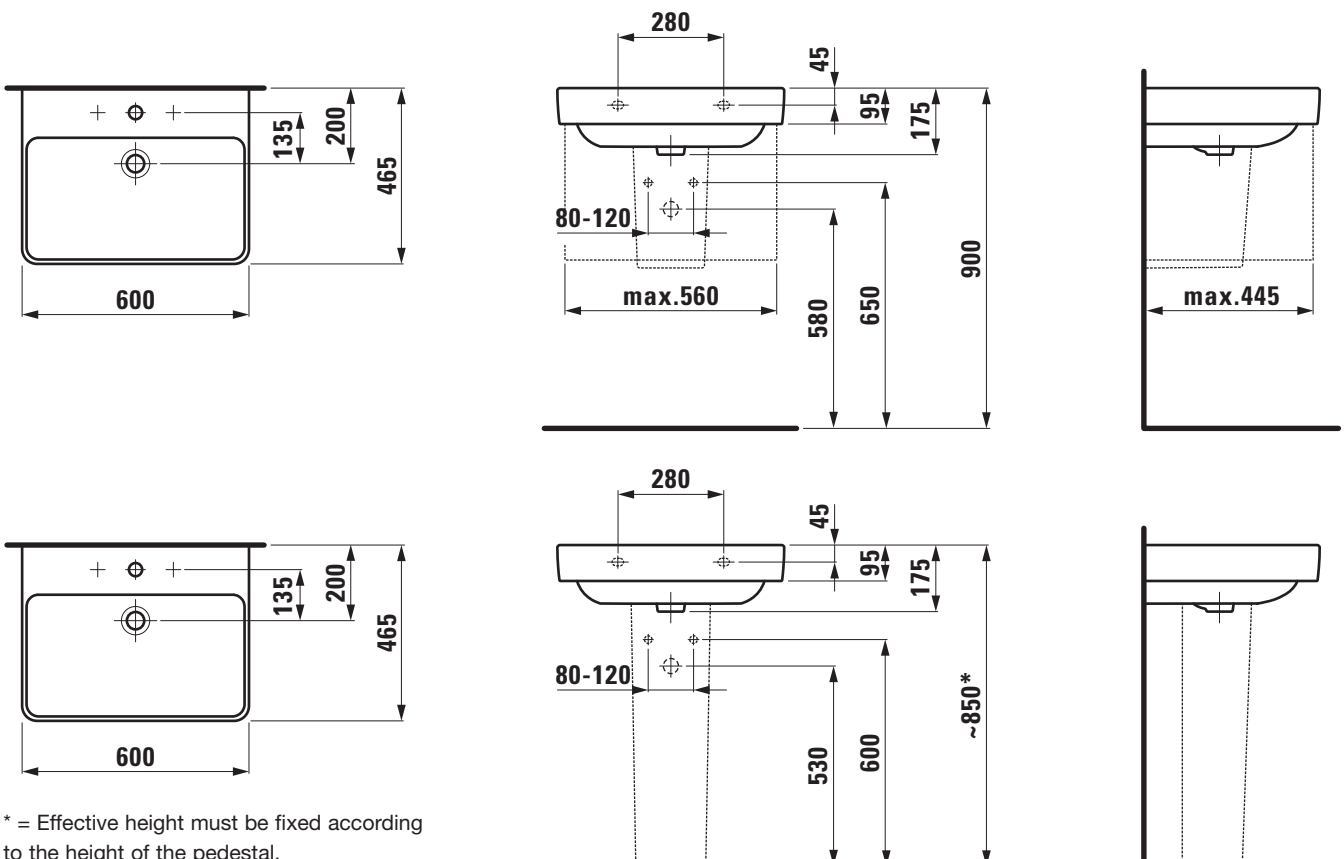
Countertop basin 81096.3



TECHNICAL DATA

Order no.	81096.3	Accessories excl.	Siphon cover, order no. 81996.3 (3 tap holes not possible)
Certified to	EN 31		Pedestal, order no. 81996.2
Dimensions	600 x 465 mm	Mounting acc. excl.	Mounting set M10 x 140 mm, order no. 89988.2
Inside dimensions of the basin	555 x 310 mm	Colours	see colour table
matching for	Vanity unit Laufen Pro S, order no. 48337.1, 48337.2	SPECIFICATION TEXT	
Specification	Charge 104 – 1 centre tap hole	Countertop basin LAUFEN PRO S, sanitary ceramic EN 31, dimensions 600 x 465 mm, angular 1 centre tap hole	
Special specification	Charge 108 – 3 tap holes Charge 109 – without tap hole Charge 136 – 3 tap holes, distance 8 inches Charge 142 – without tap hole, without overflow and without open drain Charge 156 – 1 centre tap hole, without overflow and without open drain	Special feature: overflow channel glazed Further options / accessories: Surface refinement LCC (only white), 3 tap holes, without tap holes, 3 tap holes distance 8 inches, without tap holes/ overflow and open drain, 1 tap hole/without overflow and open drain, pedestal, bathtubs, vanity unit, furniture Order no. 81096.3	
Weight	17,0 kg		

TECHNICAL DRAWINGS / S 1 : 20



SET LAUFEN PRO S

Countertop basin 81096.4



TECHNICAL DATA

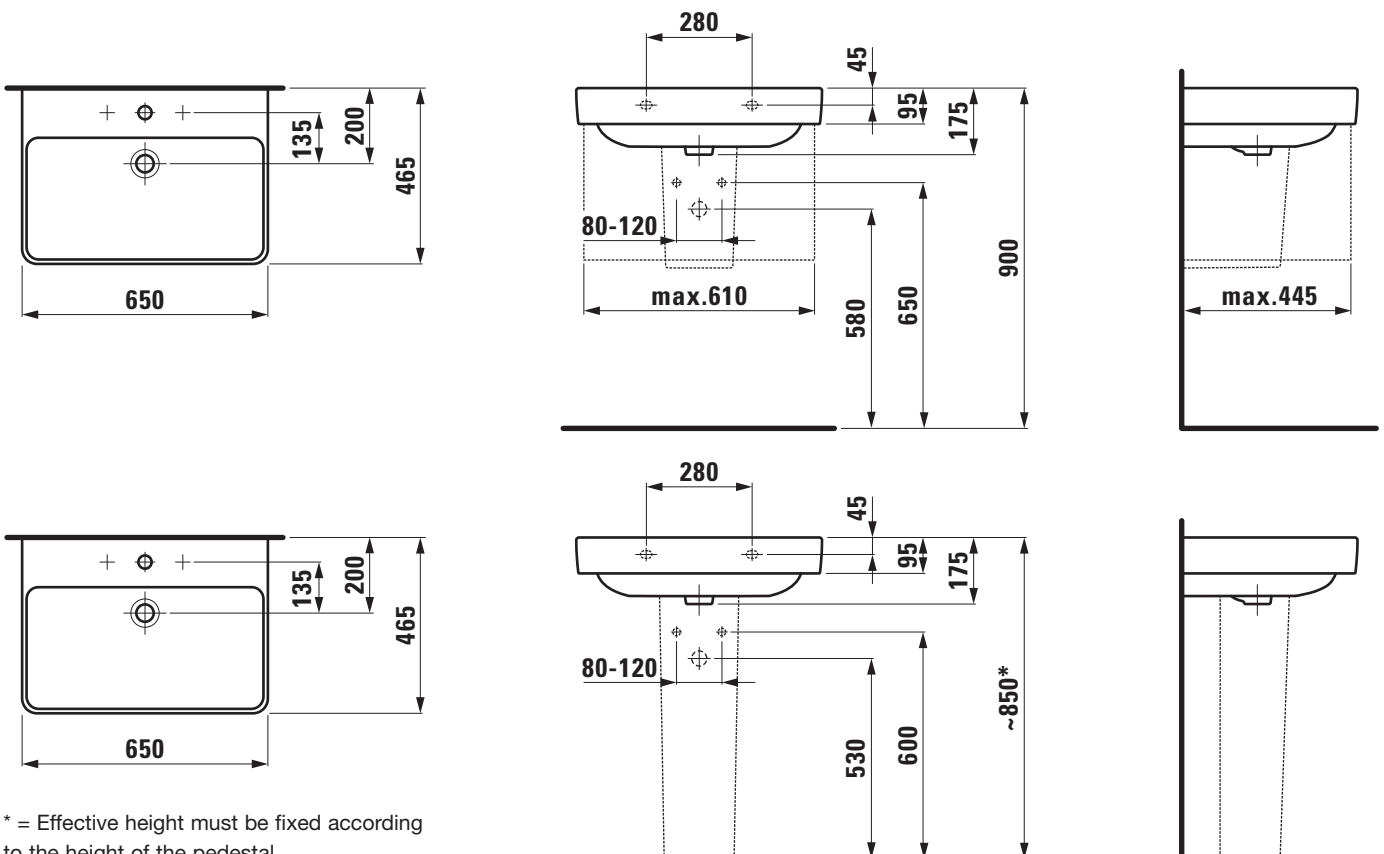
Order no.	81096.4
Certified to	EN 31
Dimensions	650 x 465 mm
Inside dimensions of the basin	600 x 310 mm
matching for	Vanity unit Laufen Pro S, order no. 48342.1, 48342.2
Specification	Charge 104 – 1 centre tap hole
Special specification	Charge 108 – 3 tap holes Charge 109 – without tap hole Charge 136 – 3 tap holes, distance 8 inches Charge 142 – without tap hole, without overflow and without open drain Charge 156 – 1 centre tap hole, without overflow and without open drain
Weight	17,5 kg

Accessories excl.	Siphon cover, order no. 81996.3 (3 tap holes not possible) Pedestal, order no. 81996.2
Mounting acc. excl.	Mounting set M10 x 140 mm, order no. 89988.2
Colours	see colour table

SPECIFICATION TEXT

Countertop basin LAUFEN PRO S, sanitary ceramic EN 31, dimensions 650 x 465 mm, angular 1 centre tap hole
Special feature: overflow channel glazed
Further options / accessories: Surface refinement LCC (only white), 3 tap holes, without tap holes, 3 tap holes distance 8 inches, without tap holes/ overflow and open drain, 1 tap hole/without overflow and open drain, pedestal, bathtubs, vanity unit, furniture
Order no. 81096.4

TECHNICAL DRAWINGS / S 1 : 20



* = Effective height must be fixed according to the height of the pedestal.

SET LAUFEN PRO S

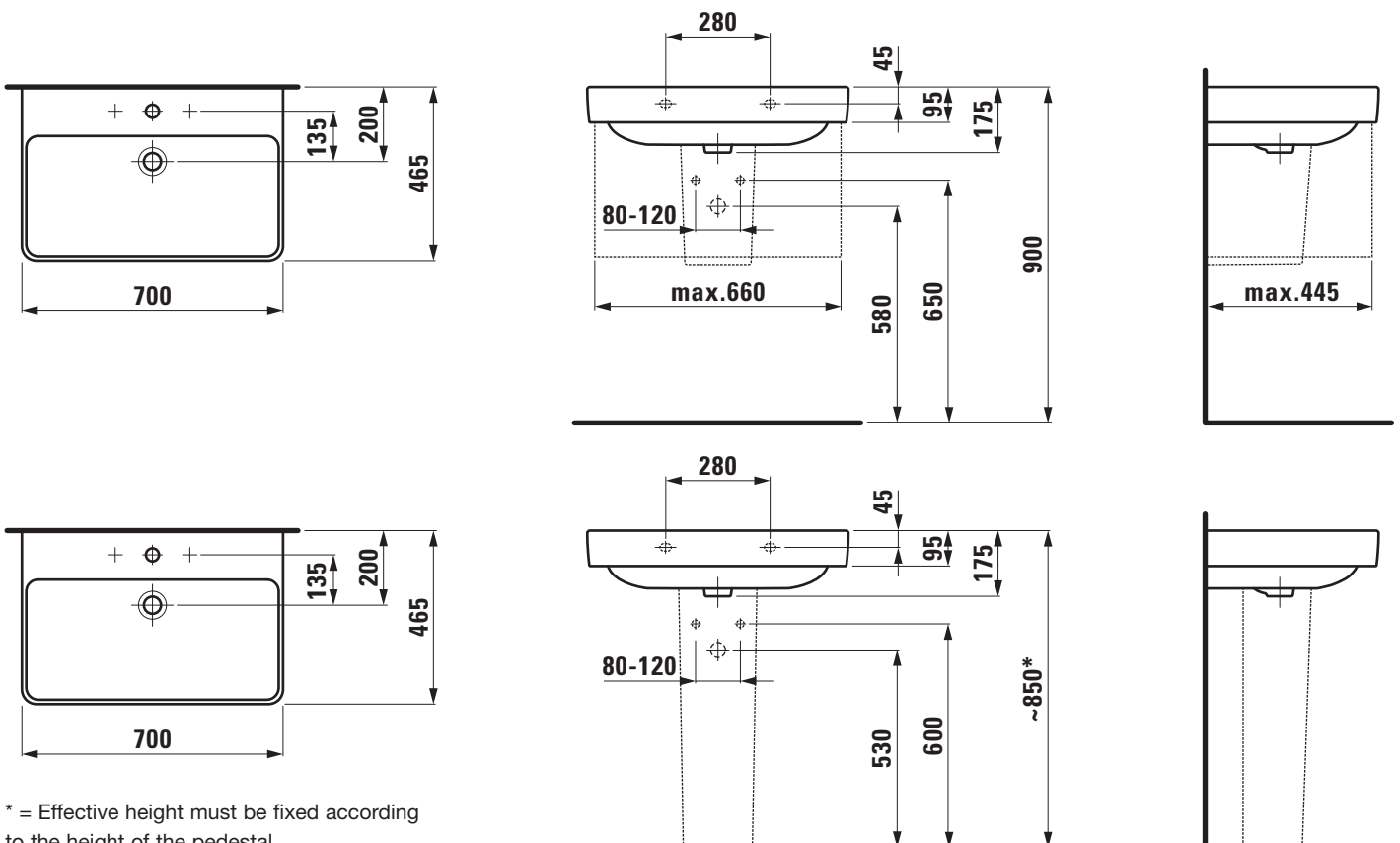
Countertop basin 81096.7



TECHNICAL DATA

Order no.	81096.7	Accessories excl.	Siphon cover, order no. 81996.3 (3 tap holes not possible) Pedestal, order no. 81996.2
Certified to	EN 31	Mounting acc. excl.	Mounting set M10 x 140 mm, order no. 89988.2
Dimensions	700 x 465 mm	Colours	see colour table
Inside dimensions of the basin	680 x 310 mm	SPECIFICATION TEXT	
matching for	Vanity unit Laufen Pro S, order no. 48345.1, 48345.2	Countertop basin LAUFEN PRO S, sanitary ceramic EN 31, dimensions 700 x 465 mm, angular 1 centre tap hole Special feature: overflow channel glazed	
Specification	Charge 104 – 1 centre tap hole	Further options / accessories: Surface refinement LCC (only white), 3 tap holes, without tap holes, 3 tap holes distance 8 inches, without tap holes/ overflow and open drain, 1 tap hole/without overflow and open drain, pedestal, bathtubs, vanity unit, furniture	
Special specification	Charge 108 – 3 tap holes Charge 109 – without tap hole Charge 136 – 3 tap holes, distance 8 inches Charge 142 – without tap hole, without overflow and without open drain Charge 156 – 1 centre tap hole, without overflow and without open drain	Order no. 81096.7	
Weight	19,0 kg		

TECHNICAL DRAWINGS / S 1 : 20



* = Effective height must be fixed according to the height of the pedestal.

SET LAUFEN PRO S

Countertop basin

81396.5



TECHNICAL DATA

Order no.	81396.5
Certified to	EN 31
Dimensions	850 x 465 mm
Inside dimensions of the basin	670 x 285 mm
matching for	Vanity unit Laufen Pro S, order no. 48350.1, 48350.2
Specification	Charge 104 – 1 centre tap hole
Special specification	Charge 108 – 3 tap holes Charge 109 – without tap hole Charge 136 – 3 tap holes, distance 8 inches
Weight	21,7 kg
Accessories excl.	Siphon cover, order no. 81996.3 (3 tap holes not possible) Pedestal, order no. 81996.2 Towel rack, order no. 38596.0

Mounting acc. excl. Mounting set M10 x 140 mm, order no. 89988.2

Colours see colour table

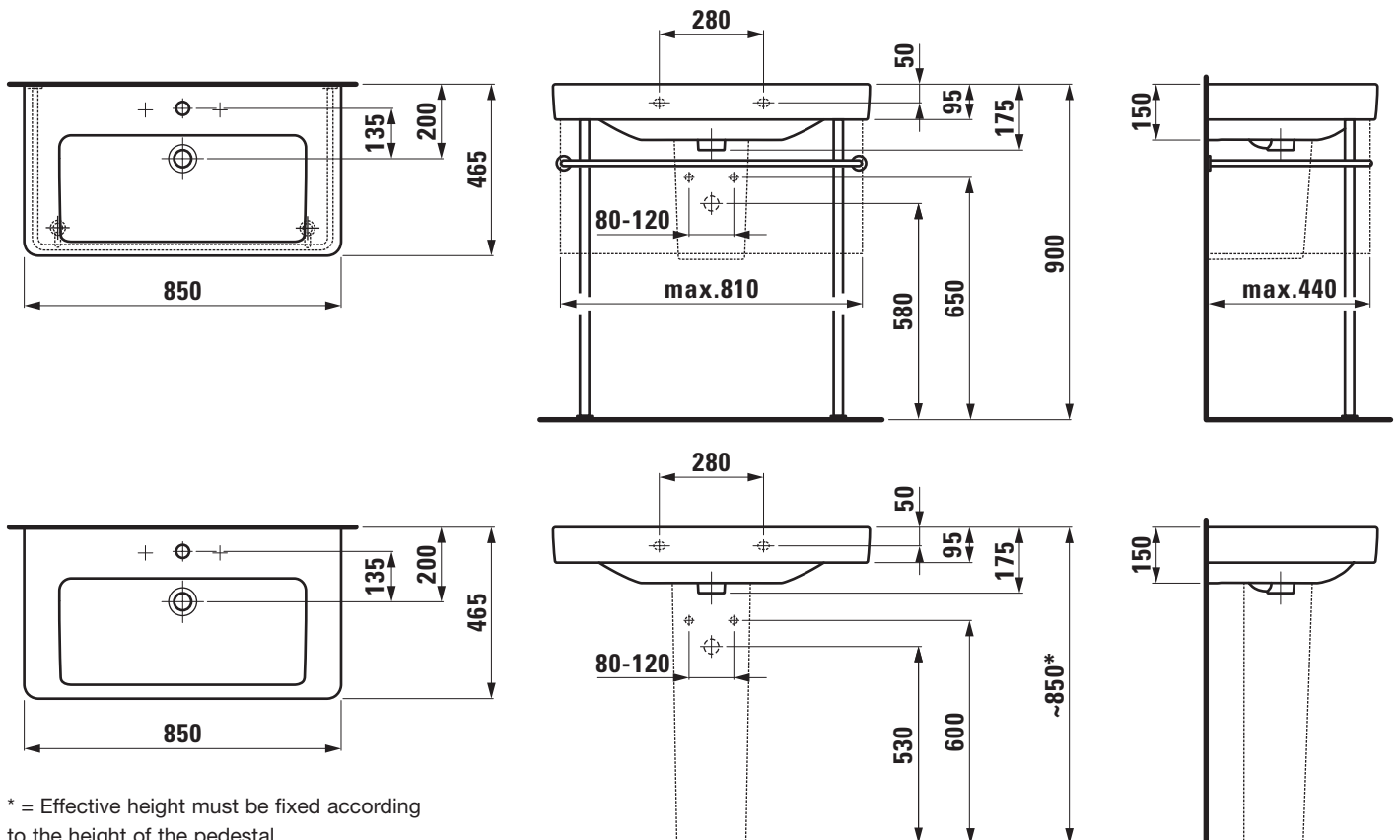
SPECIFICATION TEXT

Countertop basin LAUFEN PRO S, sanitary ceramic EN 31, dimensions 850 x 465 mm, angular 1 centre tap hole

Special feature: overflow channel glazed

Further options / accessories: Surface refinement LCC (only white), 3 tap holes, without tap holes, 3 tap holes distance 8 inches, siphon cover, pedestal, towel rack, bathtubs, vanity unit, furniture
Order no. 81396.5

TECHNICAL DRAWINGS / S 1 : 20



* = Effective height must be fixed according to the height of the pedestal.

SET LAUFEN PRO S

Double countertop basin 81496.5



TECHNICAL DATA

Order no.	81496.5
Certified to	EN 31
Dimensions	1200 x 465 mm
Inside dimensions of the basin	1140 x 295 mm
matching for	Vanity unit Laufen Pro S, order no. 48356.1, 48356.2
Specification	Charge 104 – 1 centre tap hole
Special specification	Charge 107 – 1 tap hole left, 1 tap hole right Charge 108 – 3 tap holes Charge 109 – without tap hole
Weight	
Accessories excl.	Siphon cover, order no. 81996.3 (2 or 3 tap holes not possible) Pedestal, order no. 81996.2 Towel rack, order no. 38596.3

Mounting acc. excl. 2x Mounting set M10 x 140 mm, order no. 89988.2

Colours see colour table

SPECIFICATION TEXT

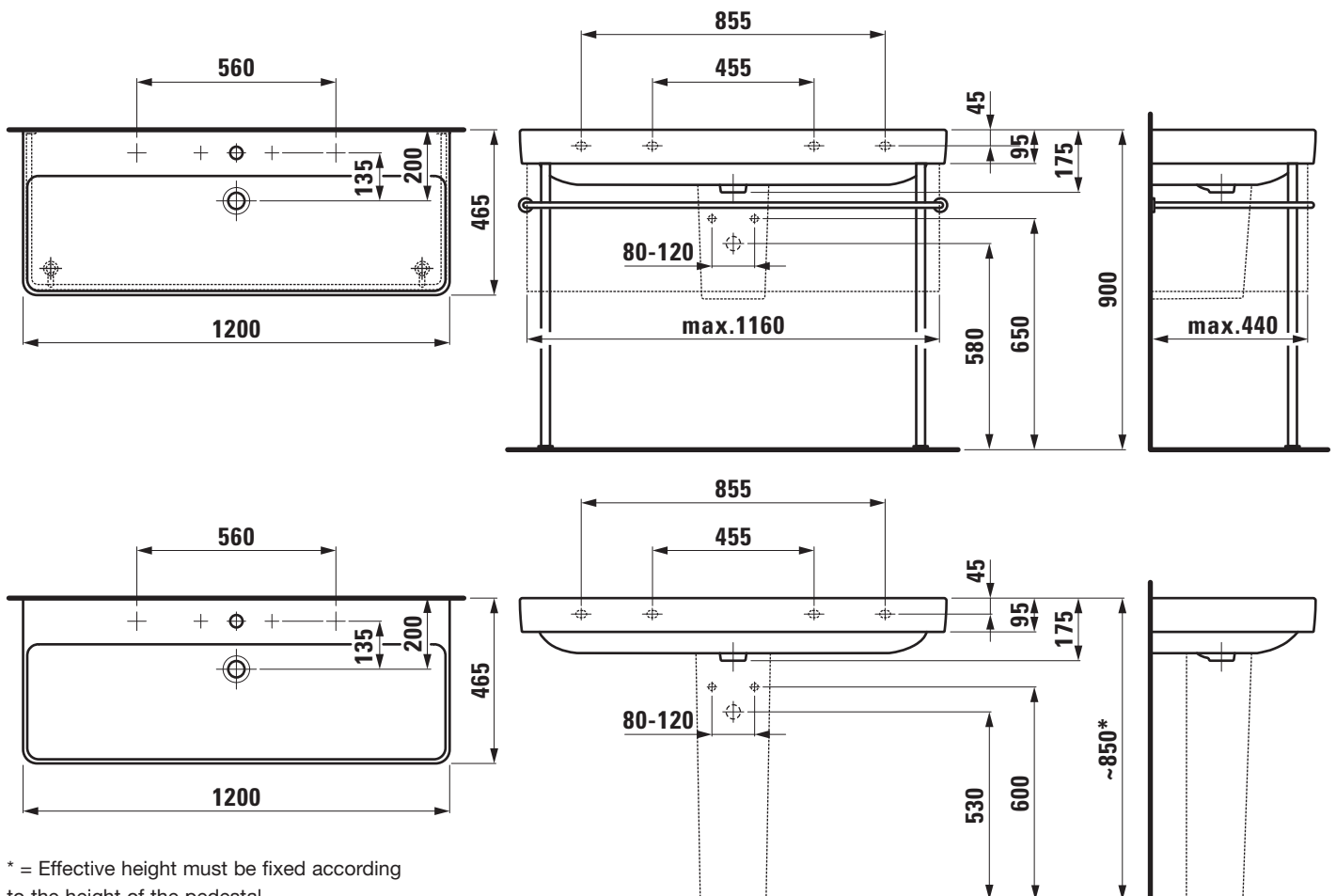
Double countertop basin LAUFEN PRO S, sanitary ceramic EN 31, dimensions 1200 x 465 mm, angular
1 centre tap hole

Special feature: overflow channel glazed

Further options / accessories: Surface refinement LCC (only white), 1 tap hole left and right, 3 tap holes, without tap holes, siphon cover, pedestal, towel rack, bathtubs, vanity unit, furniture

Order no. 81496.5

TECHNICAL DRAWINGS / S 1 : 20



* = Effective height must be fixed according to the height of the pedestal.

SET LAUFEN PRO S

Double countertop basin

81496.6



TECHNICAL DATA

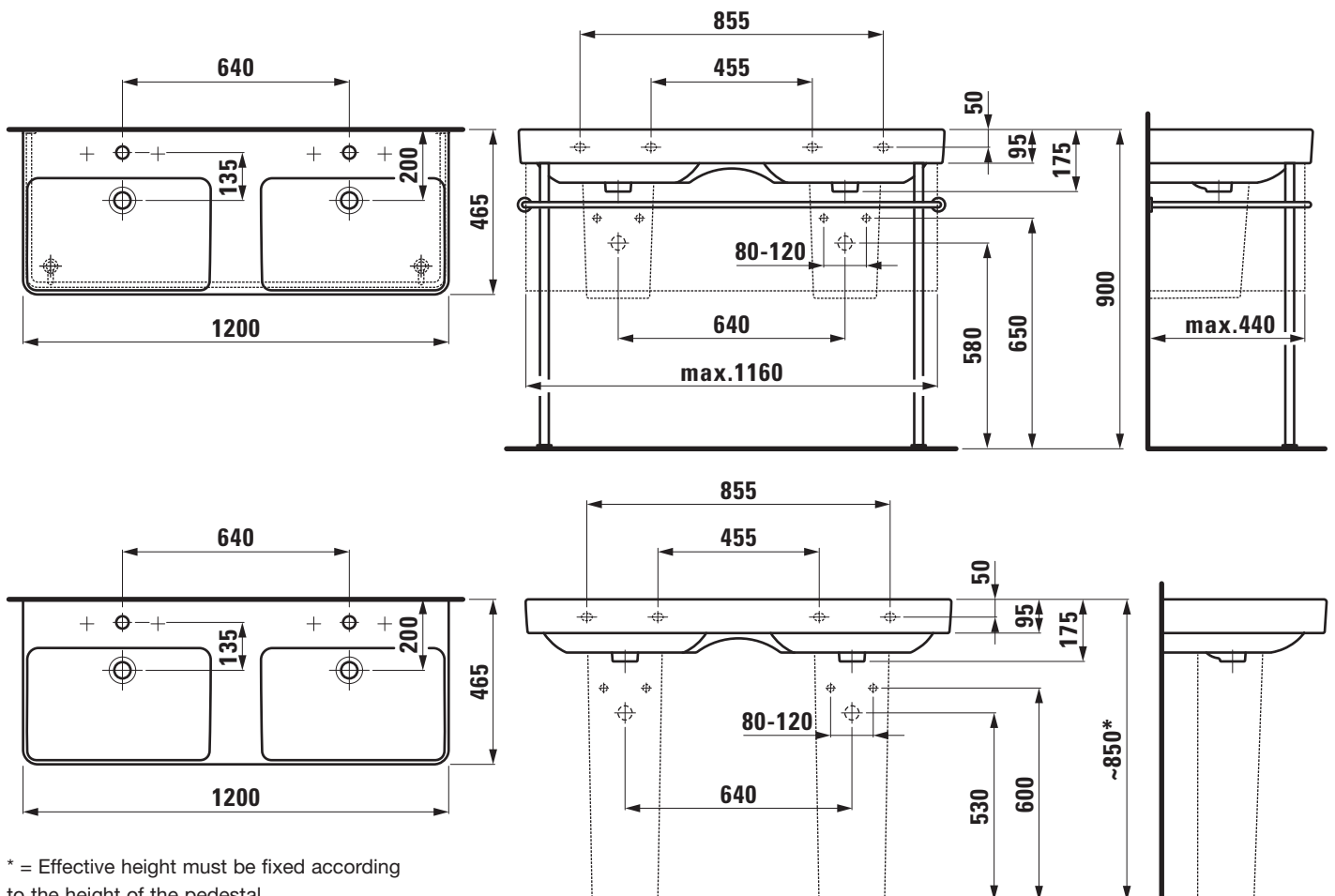
Order no.	81496.6
Certified to	EN 31
Dimensions	1200 x 465 mm
Inside dimensions of the basin	per basin 500 x 295 mm
matching for	Vanity unit Laufen Pro S, order no. 48356.3, 48356.4
Specification	Charge 104 – per basin 1 centre tap hole per basin 1 overflow
Special specification	Charge 108 – per basin 3 tap holes per basin 1 overflow Charge 109 – without tap holes per basin 1 overflow Charge 136 – per basin 3 tap holes, distance 8 inches
Weight	

Accessories excl.	Siphon cover, order no. 81996.3 (3 tap holes not possible) Pedestal, order no. 81996.2 Towel rack, order no. 38596.3
Mounting acc. excl.	2x Mounting set M10 x 140 mm, order no. 89988.2
Colours	see colour table

SPECIFICATION TEXT

Double countertop basin LAUFEN PRO S, sanitary ceramic EN 31, dimensions 1200 x 470 mm, angular per basin 1 centre tap hole
Special feature: overflow channel glazed
Further options / accessories: Surface refinement LCC (only white), per basin 3 tap holes, without tap holes, per basin 3 tap holes distance 8 inches, siphon cover, pedestal, towel rack, bathtubs, vanity unit, furniture
Order no. 81496.6

TECHNICAL DRAWINGS / S 1 : 20



SET LAUFEN PRO S

Double countertop basin 81496.8



TECHNICAL DATA

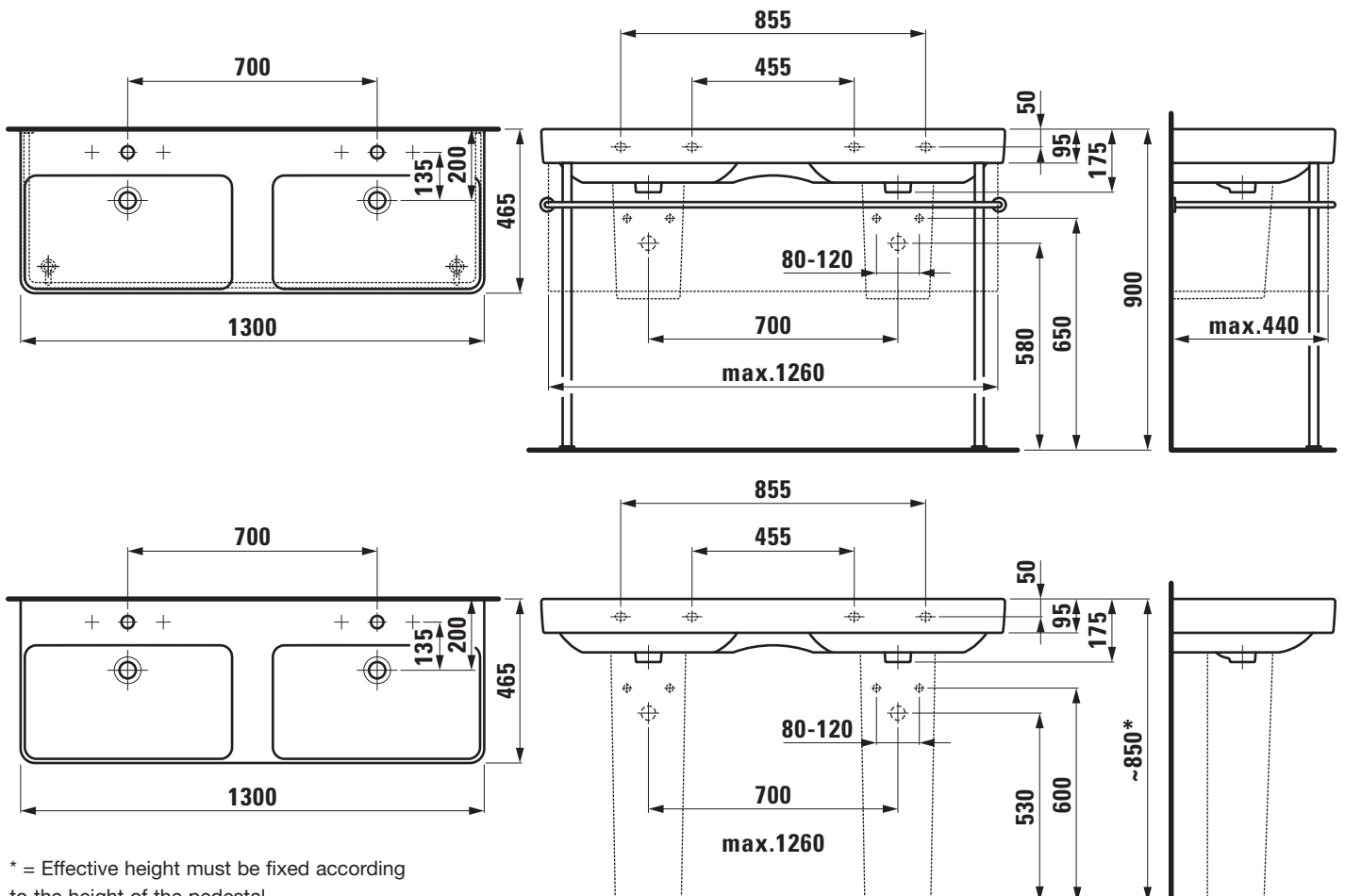
Order no.	81496.8
Certified to	EN 31
Dimensions	1300 x 465 mm
Inside dimensions of the basin	per basin 295 x 540 mm
matching for	Vanity unit Laufen Pro S, order no. 48357.2, 48357.1
Specification	Charge 104 – per basin 1 centre tap hole per basin 1 overflow
Special specification	Charge 108 – per basin 3 tap holes per basin 1 overflow Charge 109 – without tap holes per basin 1 overflow Charge 136 – per basin 3 tap holes, distance 8 inches
Weight	32,0 kg

Accessories excl.	Siphon cover, order no. 81996.3 (3 tap holes not possible) Pedestal, order no. 81996.2 Towel rack, order no. 38596.2
Mounting acc. excl.	2x Mounting set M10 x 140 mm, order no. 89988.2
Colours	see colour table

SPECIFICATION TEXT

Double countertop basin LAUFEN PRO S, sanitary ceramic EN 31, dimensions 1300 x 465 mm, angular per basin 1 centre tap hole
Special feature: overflow channel glazed
Further options / accessories: Surface refinement LCC (only white), per basin 3 tap holes, without tap holes, per basin 3 tap holes distance 8 inches, siphon cover, pedestal, towel rack, bathtubs, vanity unit, furniture
Order no. 81496.8

TECHNICAL DRAWINGS / S 1 : 20



* = Effective height must be fixed according to the height of the pedestal.

SET LAUFEN PRO S

Siphon cover

81996.3



TECHNICAL DATA

Order no.	81996.3
matching for	Washbasin, order no. 81096.2, 81096.3, 81096.4, 81096.7, 81396.5, 81396.6, 81496.5, 81496.6, 81496.8 (not for options with 2 or 3 tap holes)
Weight	8,4 kg
Mounting acc. incl.	Device for fixing, order no. 89001.3
Colours	see colour table

SPECIFICATION TEXT

Siphon cover LAUFEN PRO S, sanitary ceramic
matching washbasin order no. 81096.2, 81096.3, 81096.4, 81096.7,
81396.5, 81396.6, 81496.5, 81496.8 (not for options with 2 or 3 tap
holes)

Order no. 81996.3

SET LAUFEN PRO S

Pedestal 81996.2



TECHNICAL DATA

Order no.	81996.2
matching for	Washbasin, order no. 81096.2, 81096.3, 81096.4, 81096.7, 81396.5, 81396.6, 81496.5, 81496.6 81496.8
Weight	12,0 kg
Colours	see colour table

SPECIFICATION TEXT

Pedestal LAUFEN PRO S, sanitary ceramic
matching washbasin order no. 81096.2, 81096.3, 81096.4, 81096.7,
81396.5, 81396.6, 81496.5, 81496.8
Order no. 81996.2

SET LAUFEN PRO S

Countertop basin Compact

81895.8



TECHNICAL DATA

Order no.	81895.8
Certified to	EN 31
Dimensions	550 x 380 mm
Inside dimensions of the basin	500 x 225 mm
matching for	Vanity unit Laufen Pro S, order no. 48302.1, 48302.2
Specification	Charge 104 – 1 centre tap hole
Special specification	Charge 109 – without tap hole Charge 142 – without tap hole, without overflow and without open drain Charge 156 – 1 centre tap hole, without overflow and without open drain
Weight	12,0 kg
Accessories excl.	Siphon cover, order no. 81995.1 Pedestal, order no. 81995.0

Mounting acc. excl. Mounting set M10 x 140 mm, order no. 89988.2

Colours see colour table

SPECIFICATION TEXT

Compact countertop basin LAUFEN PRO S, sanitary ceramic EN 31

dimensions 550 x 380 mm, , angular

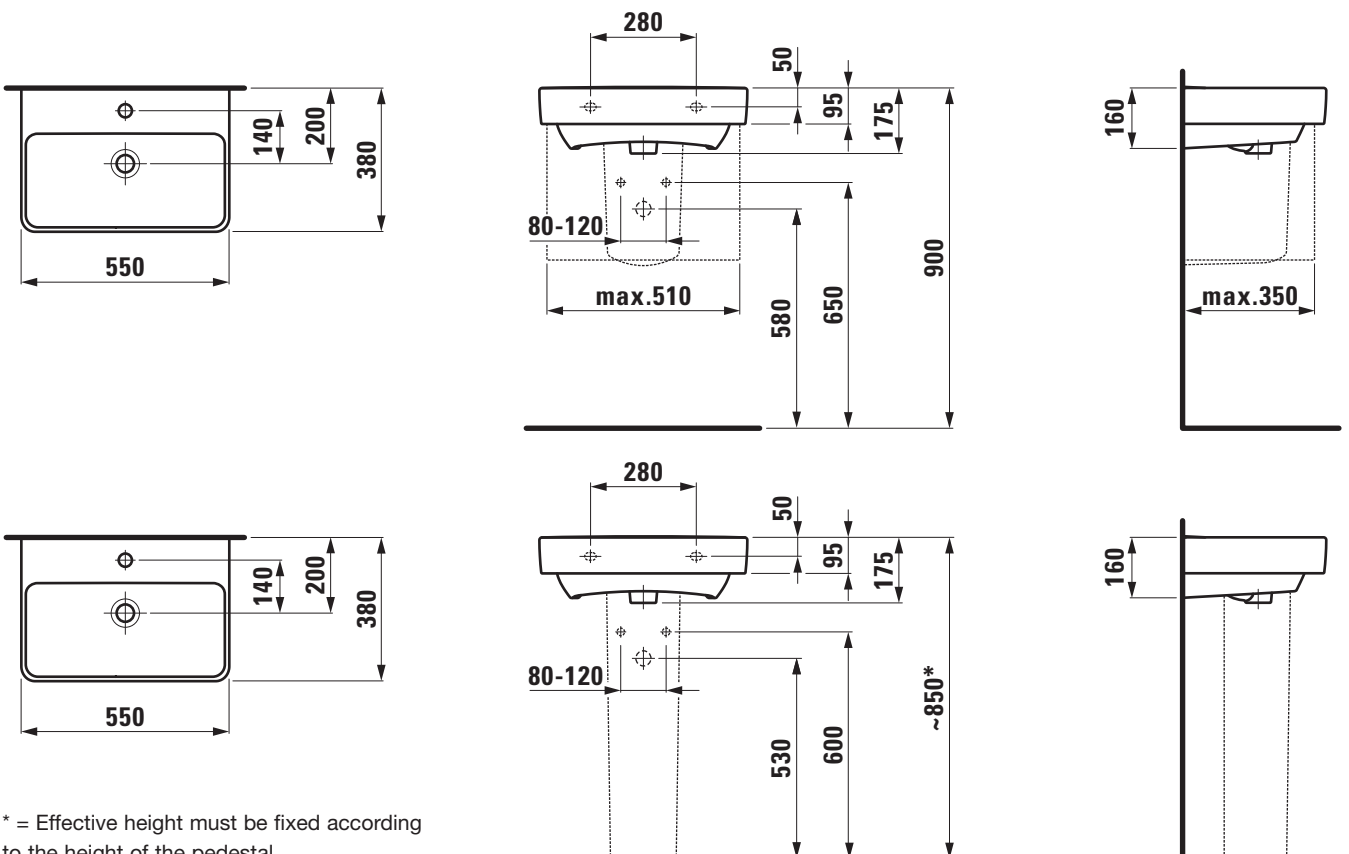
1 centre tap hole

Special feature: overflow channel glazed

Further options / accessories: Surface refinement LCC (only white), without tap holes, without tap holes/overflow and open drain, 1 tap hole/without overflow and open drain, siphon cover, pedestal, bathtubs, vanity unit, furniture

Order no. 81895.8

TECHNICAL DRAWINGS / S 1 : 20



* = Effective height must be fixed according to the height of the pedestal.

SET LAUFEN PRO S

Countertop basin Compact

81895.9



TECHNICAL DATA

Order no.	81895.9
Certified to	EN 31
Dimensions	600 x 380 mm
Inside dimensions of the basin	540 x 225 mm mm
matching for	Vanity unit Laufen Pro S, order no. 48303.1, 48303.2
Specification	Charge 104 – 1 centre tap hole
Special specification	Charge 109 – without tap hole Charge 142 – without tap hole, without overflow and without open drain Charge 156 – 1 centre tap hole, without overflow and without open drain
Weight	13,0 kg
Accessories excl.	Siphon cover, order no. 81995.1 Pedestal, order no. 81995.0

Mounting acc. excl. Mounting set M10 x 140 mm, order no. 89988.2

Colours see colour table

SPECIFICATION TEXT

Compact countertop basin LAUFEN PRO S, sanitary ceramic EN 31

dimensions 600 x 380 mm, angular

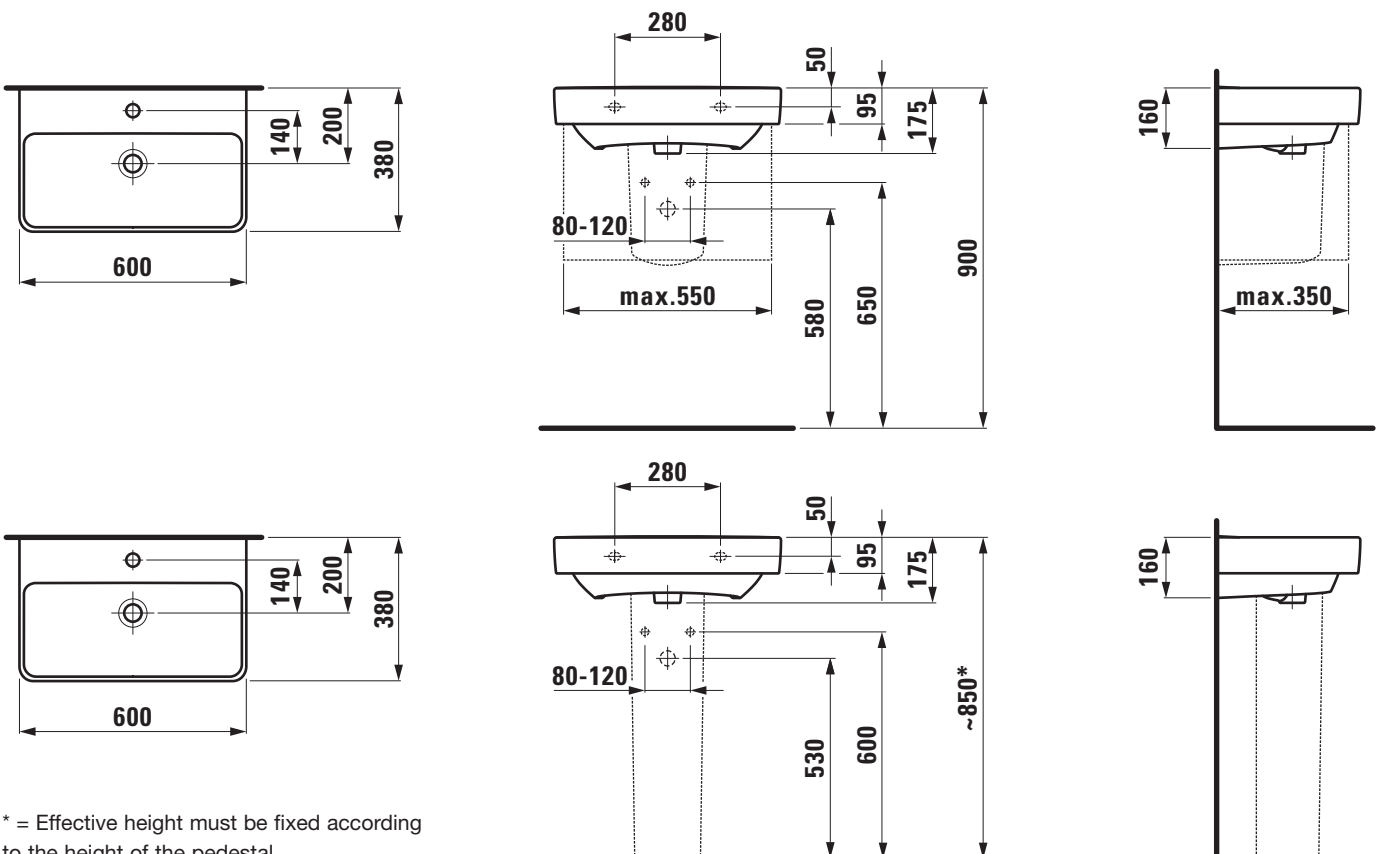
1 centre tap hole

Special feature: overflow channel glazed

Further options / accessories: Surface refinement LCC (only white), without tap holes, without tap holes/overflow and open drain, 1 tap hole/without overflow and open drain, siphon cover, pedestal, bathtubs, vanity unit, furniture

Order no. 81895.9

TECHNICAL DRAWINGS / S 1 : 20



* = Effective height must be fixed according to the height of the pedestal.

SET LAUFEN PRO S

Siphon cover

81995.1



TECHNICAL DATA

Order no.	81995.1
matching for	Washbasin Compact, order no. 81895.8, 81895.9
Weight	6,8 kg
Mounting acc. incl.	Device for fixing, order no. 89001.5
Colours	see colour table

SPECIFICATION TEXT

Siphon cover LAUFEN PRO S, sanitary ceramic
matching washbasin Compact, order no. 81895.8, 81895.9
Order no. 81995.1

SET LAUFEN PRO S

Pedestal 81995.0



TECHNICAL DATA

Order no.	81995.0
matching for	Washbasin Compact, order no. 81895.8, 81895.9
Weight	12,1 kg
Colours	see colour table

SPECIFICATION TEXT

Pedestal LAUFEN PRO S, sanitary ceramic
matching washbasin Compact, order no. 81895.8, 81895.9
Order no. 81995.0

SET LAUFEN PRO S

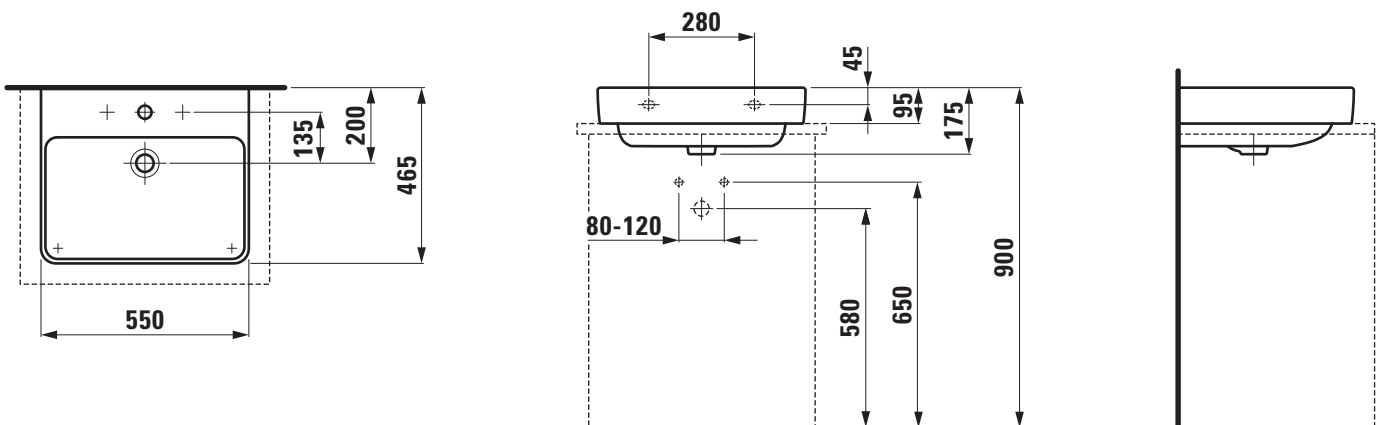
Washbasin undersurface ground 81696.2



TECHNICAL DATA

Order no.	81696.2	Mounting acc. incl.	Template, order no. 89996.1 Fastening kit, order no. 89194.0
Certified to	EN 31	Mounting acc. excl.	Mounting set M10 x 140 mm, order no. 89988.2
Dimensions	550 x 465 mm	Colours	see colour table
Inside dimensions of the basin	510 x 303 mm	SPECIFICATION TEXT	
matching for	Washtop Case and Space	Washbasin undersurface ground LAUFEN PRO S, sanitary ceramic EN 31, dimensions 550 x 465 mm, angular	
Specification	Always to be fixed to the wall. Charge 104 – 1 centre tap hole	1 centre tap hole	
Special specification	Charge 108 – 3 tap holes Charge 109 – without tap hole Charge 136 – 3 tap holes, distance 8 inches Charge 142 – without tap hole, without overflow and without open drain Charge 156 – 1 centre tap hole, without overflow and without open drain	Special feature: overflow channel glazed Further options / accessories: Surface refinement LCC (only white), 3 tap holes, without tap holes, 3 tap holes distance 8 inches, without tap holes/ overflow and open drain, 1 tap hole/without overflow and open drain, pedestal, bathtubs, furniture, washtops Case and Space Order no. 81696.2	
Weight	16,0 kg		

TECHNICAL DRAWINGS / S 1 : 20



SET LAUFEN PRO S

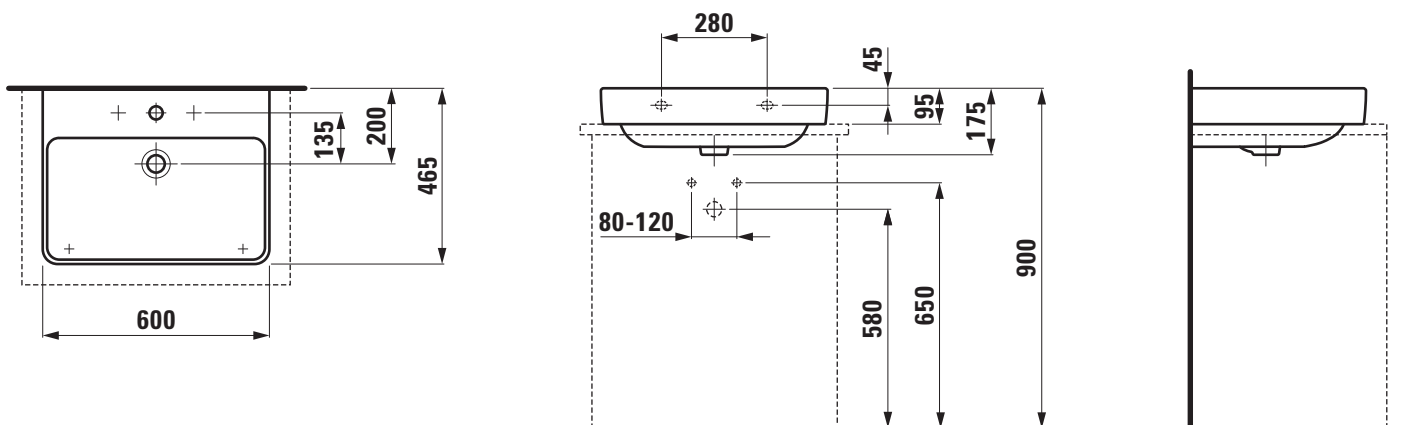
Washbasin undersurface ground 81696.3



TECHNICAL DATA

Order no.	81696.3	Mounting acc. incl.	Template, order no. 89996.2 Fastening kit, order no. 89194.0
Certified to	EN 31	Mounting acc. excl.	Mounting set M10 x 140 mm, order no. 89988.2
Dimensions	600 x 465 mm	Colours	see colour table
Inside dimensions of the basin	555 x 310 mm	SPECIFICATION TEXT	
matching for	Washtop Case	Washbasin undersurface ground LAUFEN PRO S, sanitary ceramic EN 31, dimensions 600 x 465 mm, angular	
Specification	Always to be fixed to the wall. Charge 104 – 1 centre tap hole	1 centre tap hole Special feature: overflow channel glazed	
Special specification	Charge 108 – 3 tap holes Charge 109 – without tap hole Charge 136 – 3 tap holes, distance 8 inches Charge 142 – without tap hole, without overflow and without open drain Charge 156 – 1 centre tap hole, without overflow and without open drain	Further options / accessories: Surface refinement LCC (only white), 3 tap holes, without tap holes, 3 tap holes distance 8 inches, without tap holes/ overflow and open drain, 1 tap hole/without overflow and open drain, pedestal, bathtubs, furniture, washtops Case Order no. 81696.3	
Weight	17,0 kg		

TECHNICAL DRAWINGS / S 1 : 20



SET LAUFEN PRO S

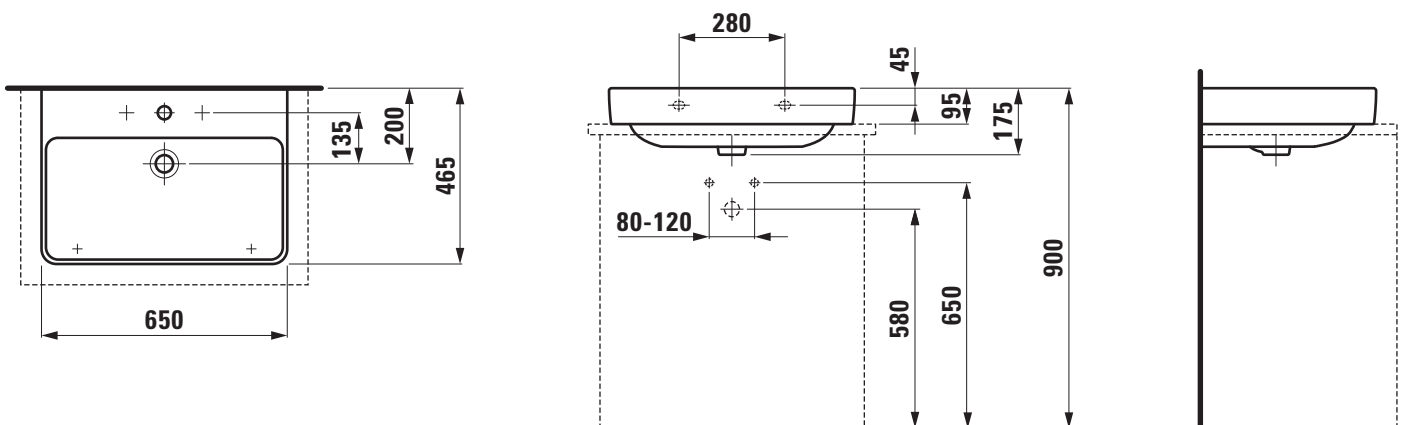
Washbasin undersurface ground 81696.4



TECHNICAL DATA

Order no.	81696.4	Mounting acc. incl.	Template, order no. 89996.3 Fastening kit, order no. 89194.0
Certified to	EN 31	Mounting acc. excl.	Mounting set M10 x 140 mm, order no. 89988.2
Dimensions	650 x 465 mm	Colours	see colour table
Inside dimensions of the basin	600 x 310 mm	SPECIFICATION TEXT	
matching for	Washtop Case	Washbasin undersurface ground LAUFEN PRO S, sanitary ceramic EN 31, dimensions 650 x 465 mm, angular	
Specification	Always to be fixed to the wall. Charge 104 – 1 centre tap hole	1 centre tap hole	
Special specification	Charge 108 – 3 tap holes Charge 109 – without tap hole Charge 136 – 3 tap holes, distance 8 inches Charge 142 – without tap hole, without overflow and without open drain Charge 156 – 1 centre tap hole, without overflow and without open drain	Special feature: overflow channel glazed Further options / accessories: Surface refinement LCC (only white), 3 tap holes, without tap holes, 3 tap holes distance 8 inches, without tap holes/ overflow and open drain, 1 tap hole/without overflow and open drain, pedestal, bathtubs, washtops, furniture, washtops Case Order no. 81696.4	
Weight	17,5 kg		

TECHNICAL DRAWINGS / S 1 : 20



SET LAUFEN PRO S

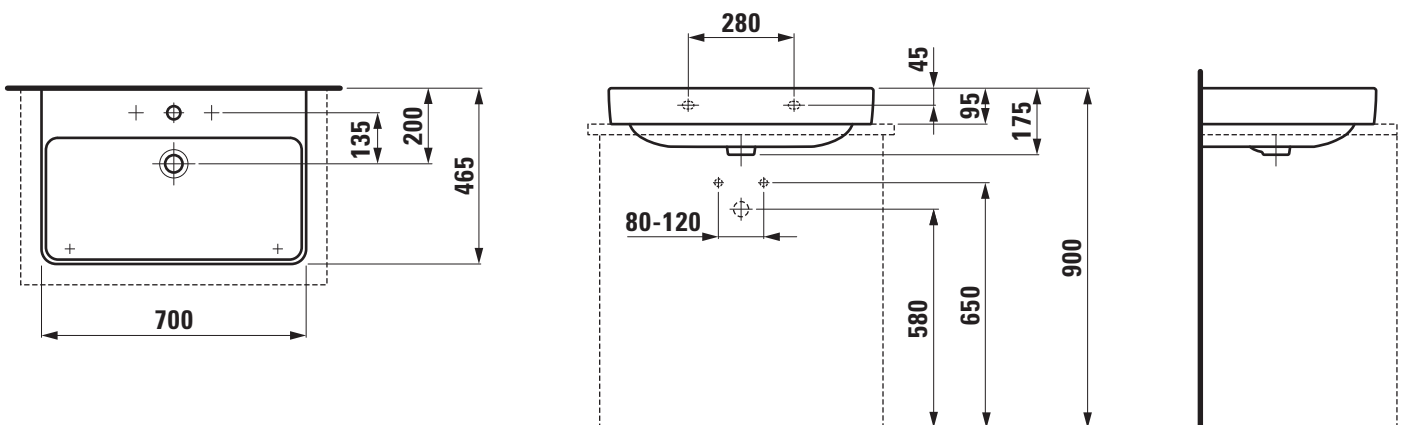
Washbasin undersurface ground 81696.7



TECHNICAL DATA

Order no.	81696.7	Mounting acc. incl.	Template, order no. 89996.4 Fastening kit, order no. 89194.0
Certified to	EN 31	Mounting acc. excl.	Mounting set M10 x 140 mm, order no. 89988.2
Dimensions	700 x 465 mm	Colours	see colour table
Inside dimensions of the basin	680 x 310 mm	SPECIFICATION TEXT	
matching for	Washtop Case	Washbasin undersurface ground LAUFEN PRO S, sanitary ceramic EN 31, dimensions 700 x 465 mm, angular	
Specification	Always to be fixed to the wall. Charge 104 – 1 centre tap hole	1 centre tap hole	
Special specification	Charge 108 – 3 tap holes Charge 109 – without tap hole Charge 136 – 3 tap holes, distance 8 inches Charge 142 – without tap hole, without overflow and without open drain Charge 156 – 1 centre tap hole, without overflow and without open drain	Special feature: overflow channel glazed Further options / accessories: Surface refinement LCC (only white), 3 tap holes, without tap holes, 3 tap holes distance 8 inches, without tap holes/ overflow and open drain, 1 tap hole/without overflow and open drain, pedestal, bathtubs, washtops, furniture, washtops Case Order no. 81696.7	
Weight	19,0 kg		

TECHNICAL DRAWINGS / S 1 : 20



SET LAUFEN PRO S

Washbasin undersurface ground 81696.5



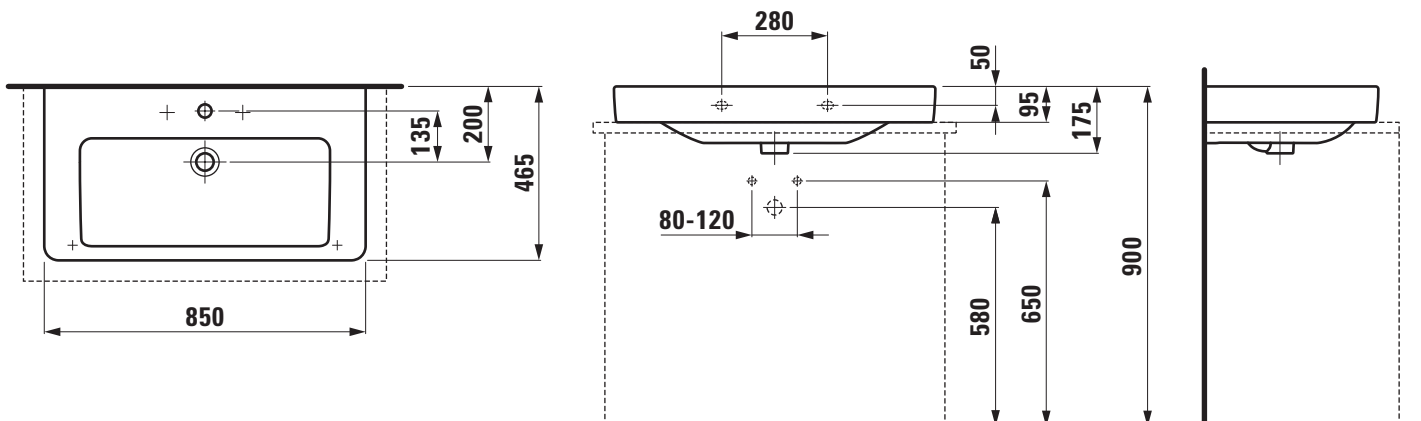
TECHNICAL DATA

Order no.	81696.5
Certified to	EN 31
Dimensions	850 x 465 mm
Inside dimensions of the basin	670 x 285 mm
matching for	Washtop Case
Specification	Always to be fixed to the wall. Charge 104 – 1 centre tap hole
Special specification	Charge 108 – 3 tap holes Charge 109 – without tap hole Charge 136 – 3 tap holes, distance 8 inches
Weight	21,7 kg
Mounting acc. incl.	Template, order no. 89996.5 Fastening kit, order no. 89194.0
Mounting acc. excl.	Mounting set M10 x 140 mm, order no. 89988.2
Colours	see colour table

SPECIFICATION TEXT

Washbasin undersurface ground LAUFEN PRO S, sanitary ceramic
EN 31, dimensions 850 x 465 mm, angular
1 centre tap hole
Special feature: overflow channel glazed
Further options / accessories: Surface refinement LCC (only white),
3 tap holes, without tap holes, 3 tap holes distance 8 inches, bathtubs,
furniture, washtops Case
Order no. 81696.5

TECHNICAL DRAWINGS / S 1 : 20



SET LAUFEN PRO S

Washbasin undersurface ground 81696.6



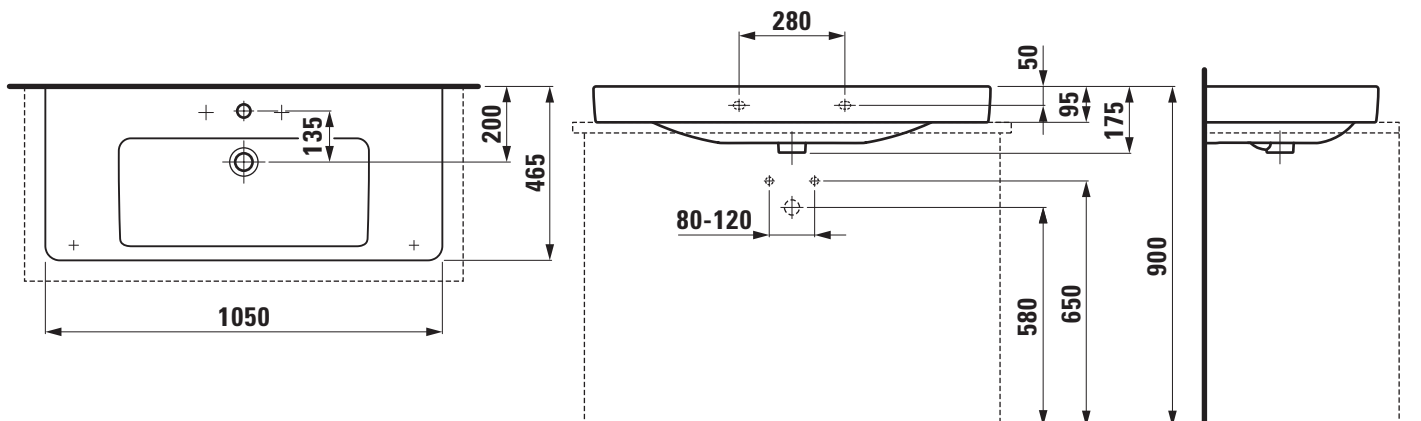
TECHNICAL DATA

Order no.	81696.6
Certified to	EN 31
Dimensions	1050 x 465 mm
Inside dimensions of the basin	675 x 285 mm
matching for	Washtop Case
Specification	Always to be fixed to the wall. Charge 104 – 1 centre tap hole
Special specification	Charge 108 – 3 tap holes Charge 109 – without tap hole Charge 136 – 3 tap holes, distance 8 inches
Weight	25,5 kg
Mounting acc. incl.	Template, order no. 89996.6 Fastening kit, order no. 89194.0
Mounting acc. excl.	Mounting set M10 x 140 mm, order no. 89988.2
Colours	see colour table

SPECIFICATION TEXT

Washbasin undersurface ground LAUFEN PRO S, sanitary ceramic
EN 31, dimensions 1050 x 465 mm, angular
1 centre tap hole
Special feature: overflow channel glazed
Further options / accessories: Surface refinement LCC (only white),
3 tap holes, without tap holes, 3 tap holes distance 8 inches, bathtubs,
furniture, washtops Case
Order no. 81696.6

TECHNICAL DRAWINGS / S 1 : 20



SET LAUFEN PRO S

Washbasin Compact undersurface ground

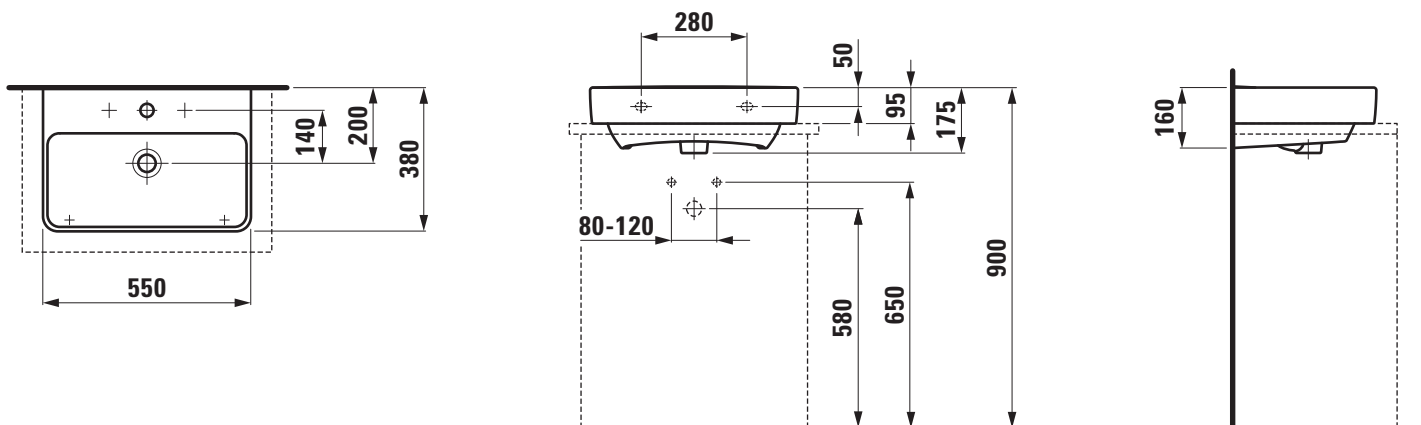
81795.8



TECHNICAL DATA

Order no.	81795.8	Mounting acc. excl.	Mounting set M10 x 140 mm, order no. 89988.2
Certified to	EN 31	Colours	see colour table
Dimensions	550 x 380 mm	SPECIFICATION TEXT	
Inside dimensions of the basin	500 x 225 mm	Compact washbasin undersurface ground LAUFEN PRO S, sanitary ceramic	
Specification	Always to be fixed to the wall. Charge 104 – 1 centre tap hole	EN 31	
Special specification	Charge 108 – 3 tap holes Charge 109 – without tap hole Charge 142 – without tap hole, without overflow and without open drain Charge 156 – 1 centre tap hole, without overflow and without open drain	dimensions 550 x 380 mm, angular 1 centre tap hole Special feature: overflow channel glazed	
Weight	12,0	Further options / accessories: Surface refinement LCC (only white), 3 tap holes, without tap holes, without tap holes/overflow and open drain, 1 tap hole/without overflow and open drain, bathtubs, furniture	
Mounting acc. incl.	Template, order no. 89896.3 Fastening kit, order no. 89194.0	Order no. 81795.8	

TECHNICAL DRAWINGS / S 1 : 20



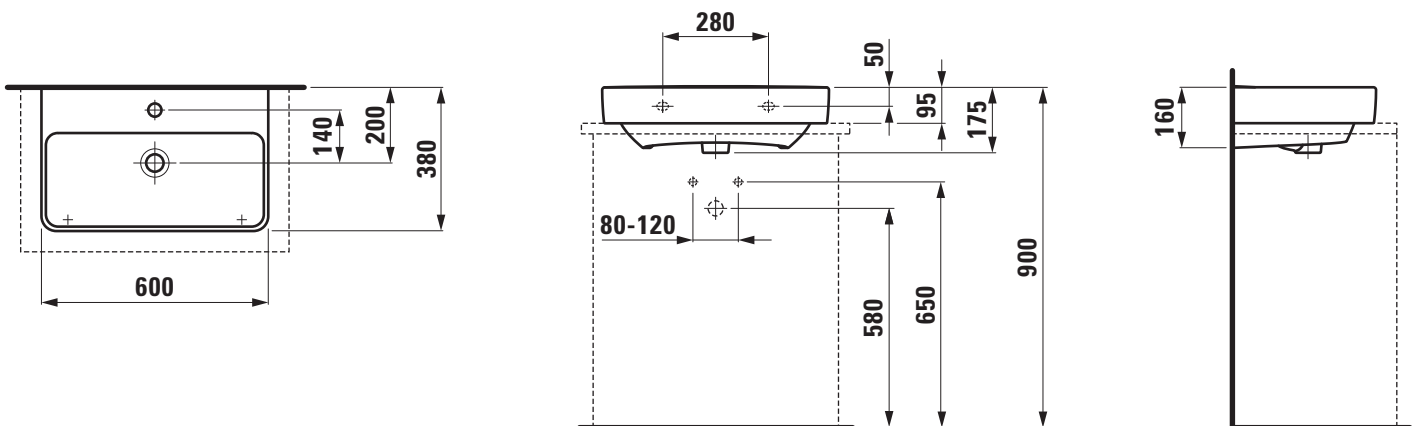
**Washbasin Compact undersurface ground
81795.9**



TECHNICAL DATA

Order no.	81795.9	Mounting acc. excl.	Mounting set M10 x 140 mm, order no. 89988.2
Certified to	EN 31	Colours	see colour table
Dimensions	600 x 380 mm	SPECIFICATION TEXT	
Inside dimensions of the basin	540 x 225 mm mm	Compact washbasin undersurface ground LAUFEN PRO S, sanitary ceramic	
Specification	Always to be fixed to the wall. Charge 104 – 1 centre tap hole	EN 31	
Special specification	Charge 109 – without tap hole Charge 142 – without tap hole, without overflow and without open drain Charge 156 – 1 centre tap hole, without overflow and without open drain	dimensions 600 x 380 mm, angular 1 centre tap hole Special feature: overflow channel glazed	
Weight	13,0 kg	Further options / accessories: Surface refinement LCC (only white), without tap holes, without tap holes/overflow and open drain, 1 tap hole/without overflow and open drain, bathtubs, furniture	
Mounting acc. incl.	Template, order no. 89896.4 Fastening kit, order no. 89194.0	Order no. 81795.9	

TECHNICAL DRAWINGS / S 1 : 20



SET LAUFEN PRO S

Washbasin Pack with furniture

86096.1

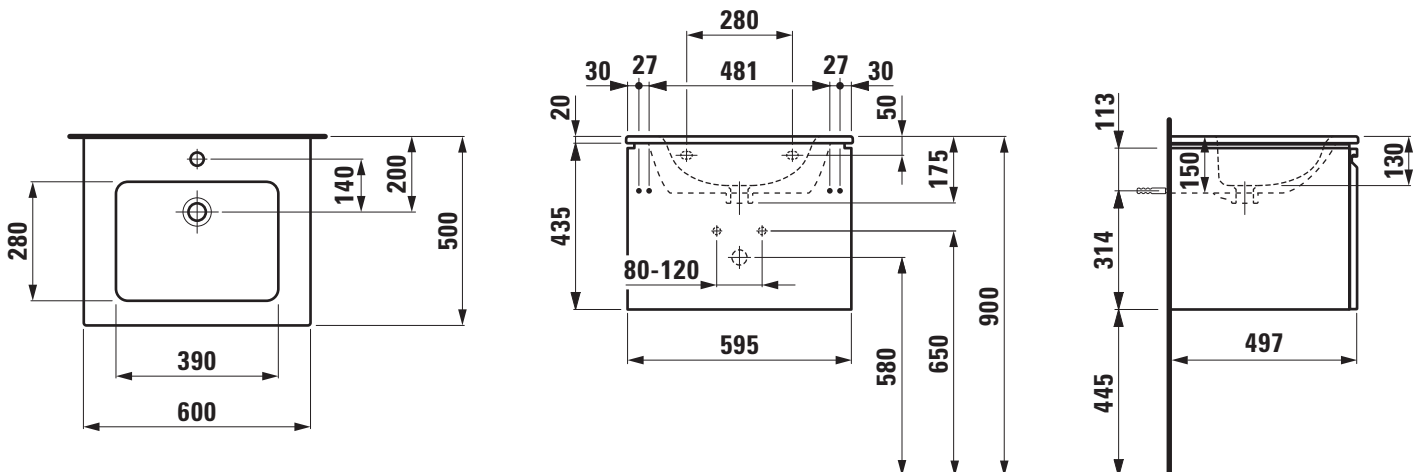
86096.2



TECHNICAL DATA

Order no.	86096.1 – washbasin with vanity unit, 1 drawer 86096.2 – washbasin with vanity unit, 1 drawer, 1 interior drawer	Mounting information	The walls installed on must meet the requirements of the furniture in terms of weight and the supplied fastening elements. If this cannot be guaranteed another method of installation needs to be chosen.
Certified to	Washbasin – EN 31	Colours ceramic	000 – White
Dimensions (WxHxD)	600 x 455 x 500 mm	Colours furniture	463 – White 475 – White glossy 423 – Wenge 479 – Bright oak 480 – Graphite
Basin capacity	6.6 litre (up to bottom line of the overflow)	SPECIFICATION TEXT	
Specification	Washbasin: Always to be fixed to the wall. Charge 104 – 1 centre tap hole Furniture: Body/Front – MDF board with PVC foil Integrated handle in the front	LAUFEN PRO S Washbasin Pack with furniture Washbasin: sanitary ceramic, EN 31, dimensions (WxD) 600 x 500 mm, angular, 1 centre tap hole Special feature: overflow channel glazed Vanity unit: Body/Front – MDF board with PVC foil, integrated handle in the front, dimensions (WxHxD) 595 x 440 x 497 mm Further options / accessories: Towel rail anodized aluminium, bathtubs, furniture Order no. 86096.1 – washbasin with vanity unit, 1 drawer, 86096.2 – washbasin with vanity unit, 1 drawer, 1 interior drawer	
Weight	86096.1 – 37,5 kg 86096.2 – 42,5 kg		
Accessories excl.	Feet (2 pieces), aluminium, order no. 48310.2 Towel rail, anodized aluminium, order no. 49095.2		
Mounting acc. incl.	Installation set for furniture, order no. 49120.6, 49114.0		
Mounting acc. excl.	Space saving siphon, order no. 89424.0		

TECHNICAL DRAWINGS / S 1 : 20



SET LAUFEN PRO S

Washbasin Pack with furniture

86096.3

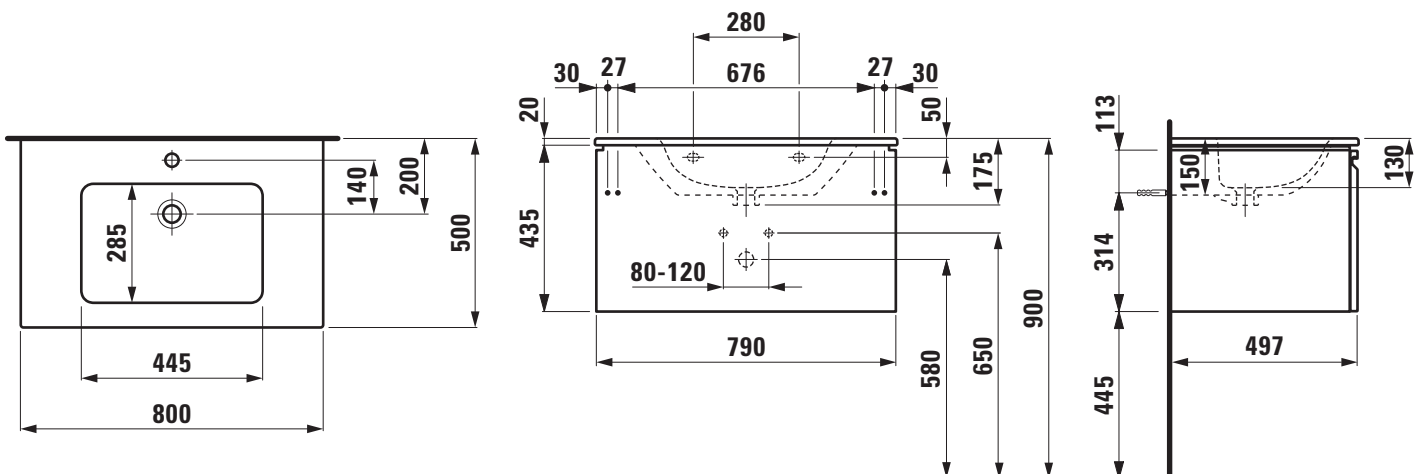
86096.4



TECHNICAL DATA

Order no.	86096.3 – washbasin with vanity unit, 1 drawer 86096.4 – washbasin with vanity unit, 1 drawer, 1 interior drawer	Mounting information	The walls installed on must meet the requirements of the furniture in terms of weight and the supplied fastening elements. If this cannot be guaranteed another method of installation needs to be chosen.
Certified to	Washbasin – EN 31	Colours ceramic	000 – White
Dimensions (WxHxD)	800 x 455 x 500 mm	Colours furniture	463 – White 475 – White glossy 423 – Wenge 479 – Bright oak 480 – Graphite
Basin capacity	7.9 litre (up to bottom line of the overflow)		
Specification	Washbasin: Always to be fixed to the wall. Charge 104 – 1 centre tap hole Furniture: Body/Front – MDF board with PVC foil Integrated handle in the front		
Weight	86096.3 – 42,9 kg 86096.4 – 48,9 kg	SPECIFICATION TEXT	LAUFEN PRO S Washbasin Pack with furniture Washbasin: sanitary ceramic, EN 31, dimensions (WxD) 800 x 500 mm, angular, 1 centre tap hole Special feature: overflow channel glazed Vanity unit: Body/Front – MDF board with PVC foil, integrated handle in the front, dimensions (WxHxD) 790 x 440 x 497 mm Further options / accessories: Towel rail anodized aluminium, bathtubs, furniture Order no. 86096.3 – washbasin with vanity unit, 1 drawer, 86096.4 – washbasin with vanity unit, 1 drawer, 1 interior drawer
Accessories excl.	Feet (2 pieces), aluminium, order no. 48310.2 Towel rail, anodized aluminium, order no. 49095.2		
Mounting acc. incl.	Installation set for furniture, order no. 49120.6, 49114.0		
Mounting acc. excl.	Space saving siphon, order no. 89424.0		

TECHNICAL DRAWINGS / S 1 : 20



SET LAUFEN PRO S

Washbasin Pack with furniture

86096.5

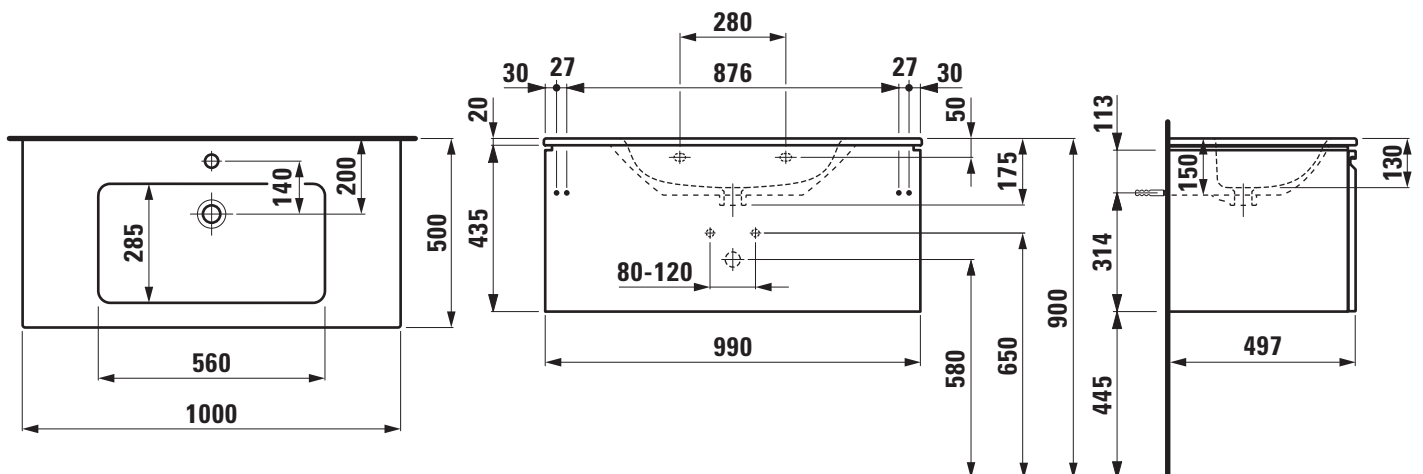
86096.6



TECHNICAL DATA

Order no.	86096.5 – washbasin with vanity unit, 1 drawer 86096.6 – washbasin with vanity unit, 1 drawer, 1 interior drawer	Mounting information	The walls installed on must meet the requirements of the furniture in terms of weight and the supplied fastening elements. If this cannot be guaranteed another method of installation needs to be chosen.
Certified to	Washbasin – EN 31	Colours ceramic	000 – White
Dimensions (WxHxD)	1000 x 455 x 500 mm	Colours furniture	463 – White 475 – White glossy 423 – Wenge 479 – Bright oak 480 – Graphite
Basin capacity	10.5 litre (up to bottom line of the overflow)		
Specification	Washbasin: Always to be fixed to the wall. Charge 104 – 1 centre tap hole Furniture: Body/Front – MDF board with PVC foil Integrated handle in the front		
Weight	86096.5 – 48,9 kg 86096.6 – 55,4 kg	SPECIFICATION TEXT	
Accessories excl.	Feet (2 pieces), aluminium, order no. 48310.2 Towel rail, anodized aluminium, order no. 49095.2	LAUFEN PRO S Washbasin Pack with furniture Washbasin: sanitary ceramic, EN 31, dimensions (WxD) 1000 x 500 mm, angular, 1 centre tap hole Special feature: overflow channel glazed Vanity unit: Body/Front – MDF board with PVC foil, integrated handle in the front, dimensions (WxHxD) 990 x 440 x 497 mm Further options / accessories: Towel rail anodized aluminium, bathtubs, furniture	
Mounting acc. incl.	Installation set for furniture, order no. 49120.6, 49114.0	Order no. 86096.5 – washbasin with vanity unit, 1 drawer, 86096.6 – washbasin with vanity unit, 1 drawer, 1 interior drawer	
Mounting acc. excl.	Space saving siphon, order no. 89424.0		

TECHNICAL DRAWINGS / S 1 : 20



SET LAUFEN PRO S

Washbasin Pack with furniture

86096.7

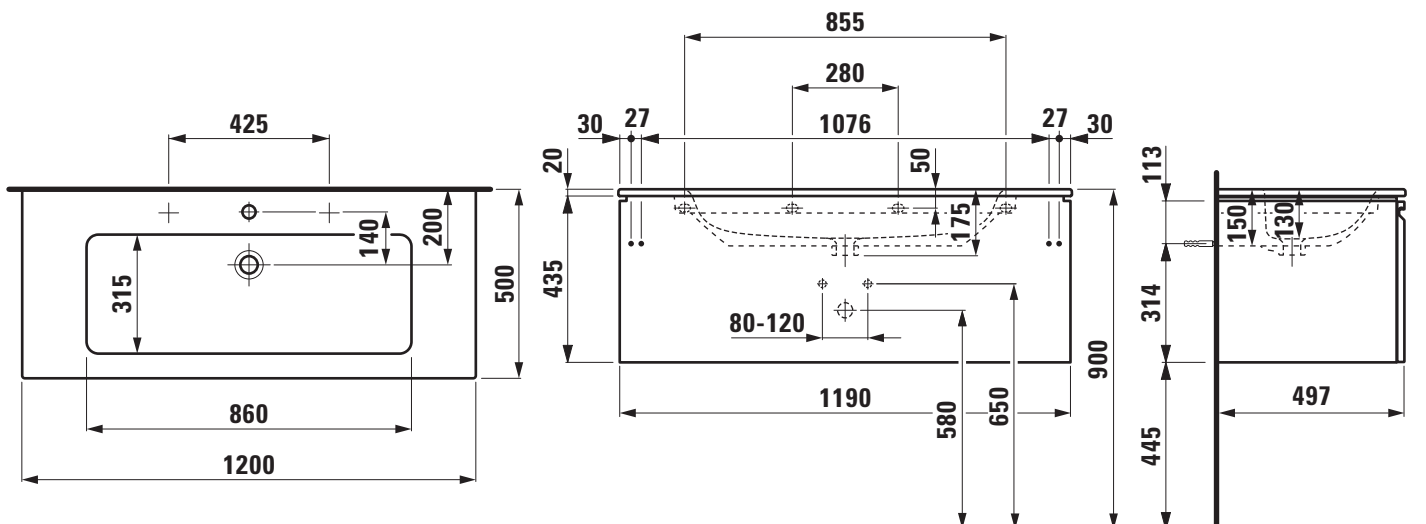
86096.8



TECHNICAL DATA

Order no.	86096.7 – washbasin with vanity unit, 1 drawer 86096.8 – washbasin with vanity unit, 1 drawer, 1 interior drawer	Mounting information	The walls installed on must meet the requirements of the furniture in terms of weight and the supplied fastening elements. If this cannot be guaranteed another method of installation needs to be chosen.
Certified to	Washbasin – EN 31	Colours ceramic	000 – White
Dimensions (WxHxD)	1200 x 455 x 500 mm	Colours furniture	463 – White 475 – White glossy 423 – Wenge 479 – Bright oak 480 – Graphite
Basin capacity	16.8 litre (up to bottom line of the overflow)	SPECIFICATION TEXT	
Specification	Washbasin: Always to be fixed to the wall. Charge 104 – 1 centre tap hole Charge 107 – 2 tap holes Furniture: Body/Front – MDF board with PVC foil Integrated handle in the front	LAUFEN PRO S Washbasin Pack with furniture Washbasin: sanitary ceramic, EN 31, dimensions (WxD) 1200 x 500 mm, angular, Charge 104 – 1 centre tap hole, Charge 107 – 2 tap holes Special feature: overflow channel glazed Vanity unit: Body/Front – MDF board with PVC foil, integrated handle in the front, dimensions (WxHxD) 1190 x 440 x 497 mm Further options / accessories: Towel rail anodized aluminium, bathtubs, furniture	
Weight		Order no. 86096.7 – washbasin with vanity unit, 1 drawer, 86096.8 – washbasin with vanity unit, 1 drawer, 1 interior drawer	
Accessories excl.	Feet (2 pieces), aluminium, order no. 48310.2 Towel rail, anodized aluminium, order no. 49095.2		
Mounting acc. incl.	Installation set for furniture, order no. 49120.6, 49114.0		
Mounting acc. excl.	Space saving siphon, order no. 89424.0		

TECHNICAL DRAWINGS / S 1 : 20



SET LAUFEN PRO S

Washbasin Pack with furniture

86196.1



TECHNICAL DATA

Order no.	86196.1 – washbasin with vanity unit
Certified to	Washbasin – EN 31
Dimensions (WxHxD)	600 x 545 x 500 mm
Basin capacity	6.6 litre (up to bottom line of the overflow)
Specification	Washbasin: Always to be fixed to the wall. Charge 104 – 1 centre tap hole Furniture: Body/Front – MDF board with PVC foil Integrated handle in the front 2 drawers (soft-close mechanism)
Weight	49,5 kg
Accessories excl.	Feet (2 pieces), aluminium, order no. 48309.2 Towel rail, anodized aluminium, order no. 49095.2
Mounting acc. incl.	Installation set for furniture, order no. 49120.6, 49114.0
Mounting acc. excl.	Space saving siphon, order no. 89424.0

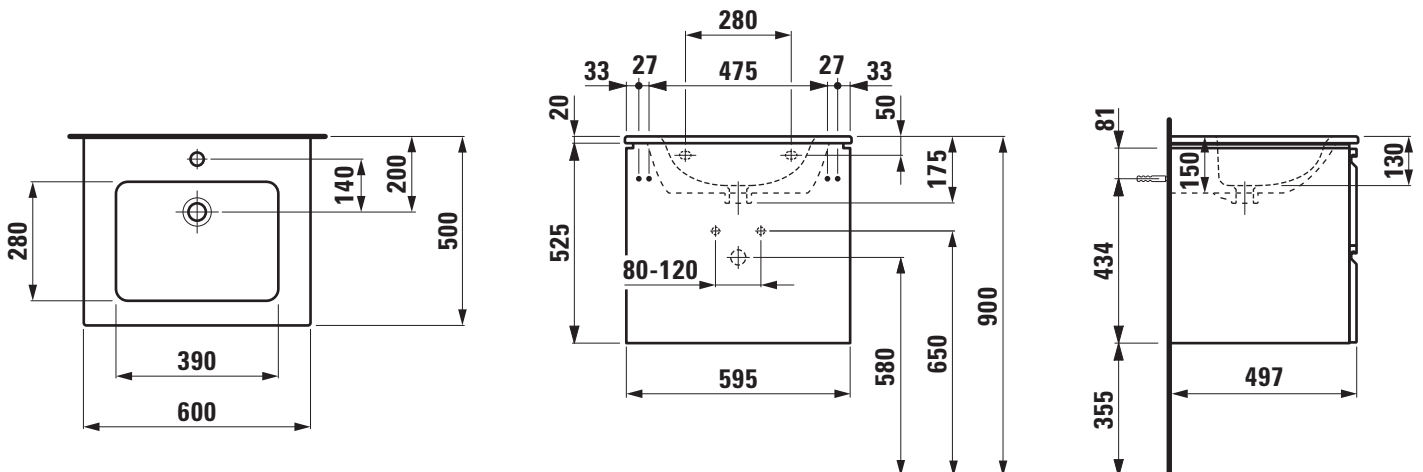
Mounting information The walls installed on must meet the requirements of the furniture in terms of weight and the supplied fastening elements. If this cannot be guaranteed another method of installation needs to be chosen

Colours ceramic	000 – White
Colours furniture	463 – White 475 – White glossy 423 – Wenge 479 – Bright oak 480 – Graphite

SPECIFICATION TEXT

LAUFEN PRO S Washbasin Pack with furniture
Washbasin: sanitary ceramic, EN 31,
dimensions (WxD) 600 x 500 mm, angular, 1 centre tap hole
Special feature: overflow channel glazed
Vanity unit: Body/Front – MDF board with PVC foil, integrated handles,
2 drawers (soft-close mechanism),
dimensions (WxHxD) 595 x 525 x 497 mm
Further options / accessories: Towel rail anodized aluminium, bathtubs,
furniture
Order no. 86196.1 – washbasin with vanity unit

TECHNICAL DRAWINGS / S 1 : 20





TECHNICAL DATA

Order no.	86196.3 – washbasin with vanity unit
Certified to	Washbasin – EN 31
Dimensions (WxHxD)	800 x 545 x 500 mm
Basin capacity	7.9 litre (up to bottom line of the overflow)
Specification	Washbasin: Always to be fixed to the wall. Charge 104 – 1 centre tap hole Furniture: Body/Front – MDF board with PVC foil Integrated handle in the front 2 drawers (soft-close mechanism)
Weight	56,0 kg
Accessories excl.	Feet (2 pieces), aluminium, order no. 48309.2 Towel rail, anodized aluminium, order no. 49095.2
Mounting acc. incl.	Installation set for furniture, order no. 49120.6, 49114.0
Mounting acc. excl.	Space saving siphon, order no. 89424.0

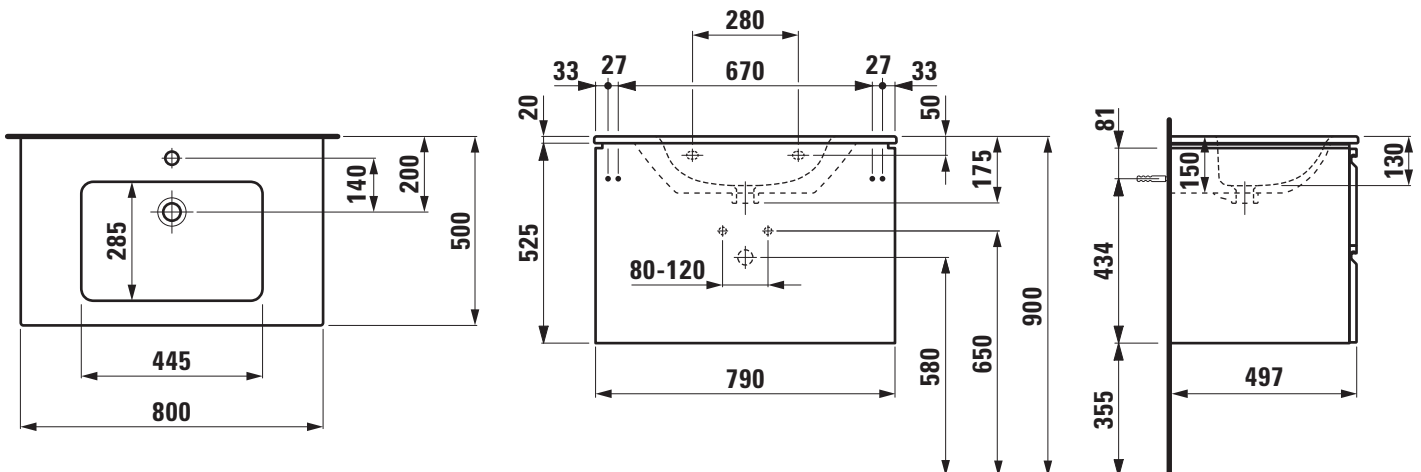
Mounting information The walls installed on must meet the requirements of the furniture in terms of weight and the supplied fastening elements. If this cannot be guaranteed another method of installation needs to be chosen

Colours ceramic	000 – White
Colours furniture	463 – White 475 – White glossy 423 – Wenge 479 – Bright oak 480 – Graphite

SPECIFICATION TEXT

LAUFEN PRO S Washbasin Pack with furniture
Washbasin: sanitary ceramic, EN 31,
dimensions (WxD) 800 x 500 mm, angular, 1 centre tap hole
Special feature: overflow channel glazed
Vanity unit: Body/Front – MDF board with PVC foil, integrated handles,
2 drawers (soft-close mechanism),
dimensions (WxHxD) 790 x 525 x 497 mm
Further options / accessories: Towel rail anodized aluminium, bathtubs,
furniture
Order no. 86196.3 – washbasin with vanity unit

TECHNICAL DRAWINGS / S 1 : 20



SET LAUFEN PRO S

Washbasin Pack with furniture

86196.5



TECHNICAL DATA

Order no.	86196.5 – washbasin with vanity unit
Certified to	Washbasin – EN 31
Dimensions (WxHxD)	1000 x 545 x 500 mm
Basin capacity	10.5 litre (up to bottom line of the overflow)
Specification	Washbasin: Always to be fixed to the wall. Charge 104 – 1 centre tap hole Furniture: Body/Front – MDF board with PVC foil Integrated handle in the front 2 drawers (soft-close mechanism)
Weight	63,0 kg
Accessories excl.	Feet (2 pieces), aluminium, order no. 48309.2 Towel rail, anodized aluminium, order no. 49095.2
Mounting acc. incl.	Installation set for furniture, order no. 49120.6, 49114.0
Mounting acc. excl.	Space saving siphon, order no. 89424.0

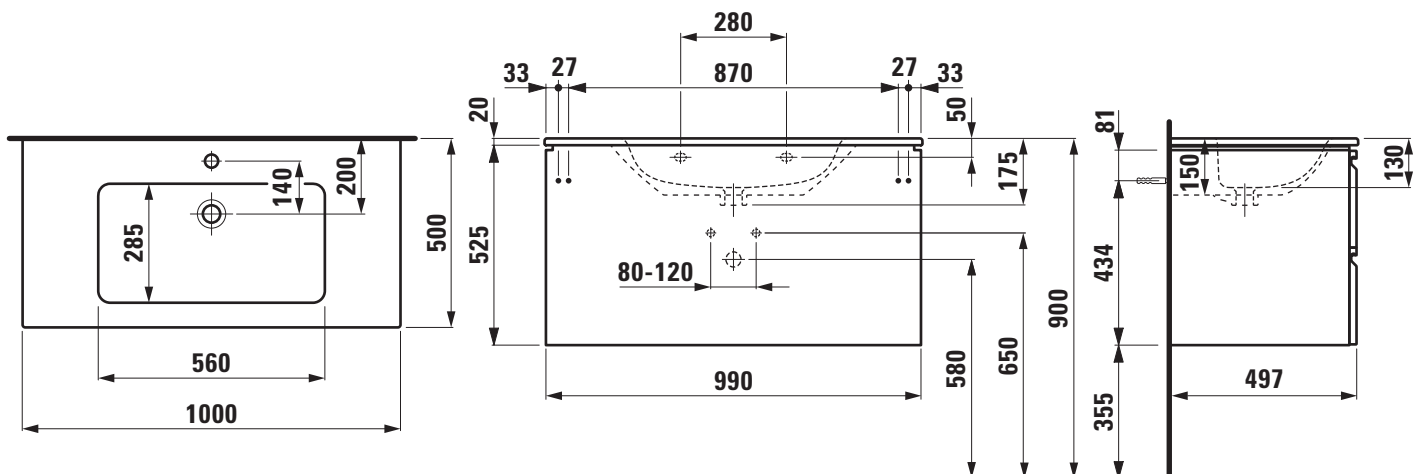
Mounting information The walls installed on must meet the requirements of the furniture in terms of weight and the supplied fastening elements. If this cannot be guaranteed another method of installation needs to be chosen

Colours ceramic	000 – White
Colours furniture	463 – White 475 – White glossy 423 – Wenge 479 – Bright oak 480 – Graphite

SPECIFICATION TEXT

LAUFEN PRO S Washbasin Pack with furniture
Washbasin: sanitary ceramic, EN 31,
dimensions (WxD) 1000 x 500 mm, angular, 1 centre tap hole
Special feature: overflow channel glazed
Vanity unit: Body/Front – MDF board with PVC foil, integrated handles,
2 drawers (soft-close mechanism),
dimensions (WxHxD) 990 x 525 x 497 mm
Further options / accessories: Towel rail anodized aluminium, bathtubs,
furniture
Order no. 86196.5 – washbasin with vanity unit

TECHNICAL DRAWINGS / S 1 : 20



SET LAUFEN PRO S

Washbasin Pack with furniture

86196.7



TECHNICAL DATA

Order no.	86196.7 – washbasin with vanity unit
Certified to	Washbasin – EN 31
Dimensions (WxHxD)	1200 x 545 x 500 mm
Basin capacity	16.8 litre (up to bottom line of the overflow)
Specification	Washbasin: Always to be fixed to the wall. Charge 104 – 1 centre tap hole Charge 107 – 2 tap holes Furniture: Body/Front – MDF board with PVC foil Integrated handle in the front 2 drawers (soft-close mechanism)
Weight	
Accessories excl.	Feet (2 pieces), aluminium, order no. 48309.2 Towel rail, anodized aluminium, order no. 49095.2
Mounting acc. incl.	Installation set for furniture, order no. 49120.6, 49114.0
Mounting acc. excl.	Space saving siphon, order no. 89424.0

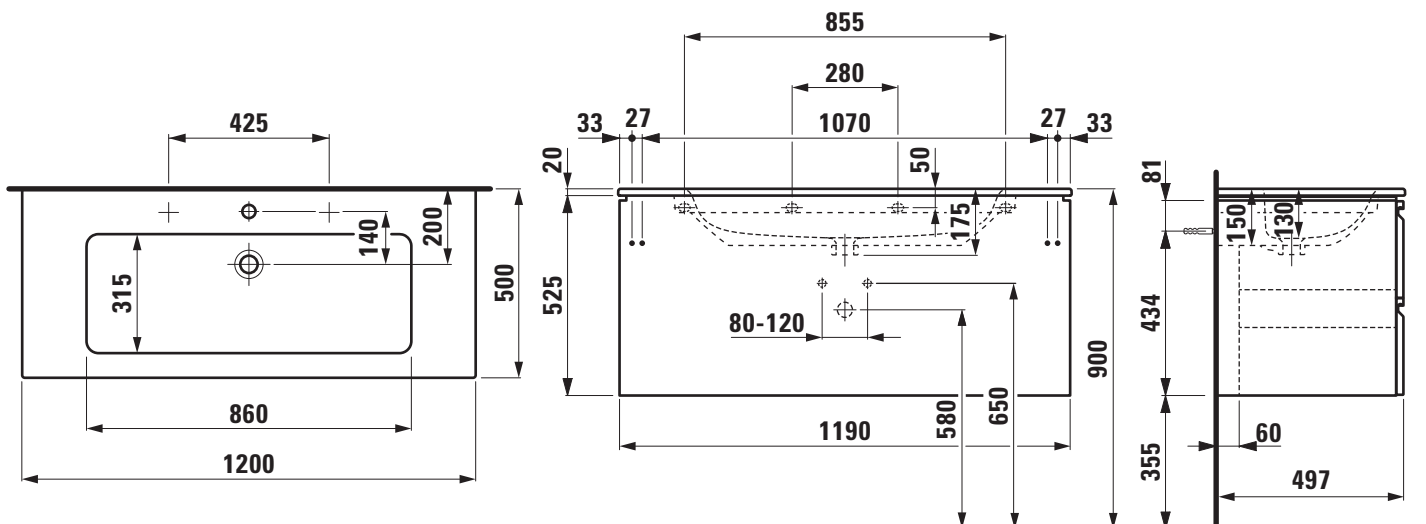
Mounting information The walls installed on must meet the requirements of the furniture in terms of weight and the supplied fastening elements. If this cannot be guaranteed another method of installation needs to be chosen

Colours ceramic	000 – White
Colours furniture	463 – White
	475 – White glossy
	423 – Wenge
	479 – Bright oak
	480 – Graphite

SPECIFICATION TEXT

LAUFEN PRO S Washbasin Pack with furniture
Washbasin: sanitary ceramic, EN 31,
dimensions (WxD) 1200 x 500 mm, angular,
Charge 104 – 1 centre tap hole, Charge 107 – 2 tap holes
Special feature: overflow channel glazed
Vanity unit: Body/Front – MDF board with PVC foil, integrated handles,
2 drawers (soft-close mechanism),
dimensions (WxHxD) 1190 x 525 x 497 mm
Further options / accessories: Towel rail anodized aluminium, bathtubs,
furniture
Order no. 86196.7 – washbasin with vanity unit

TECHNICAL DRAWINGS / S 1 : 20

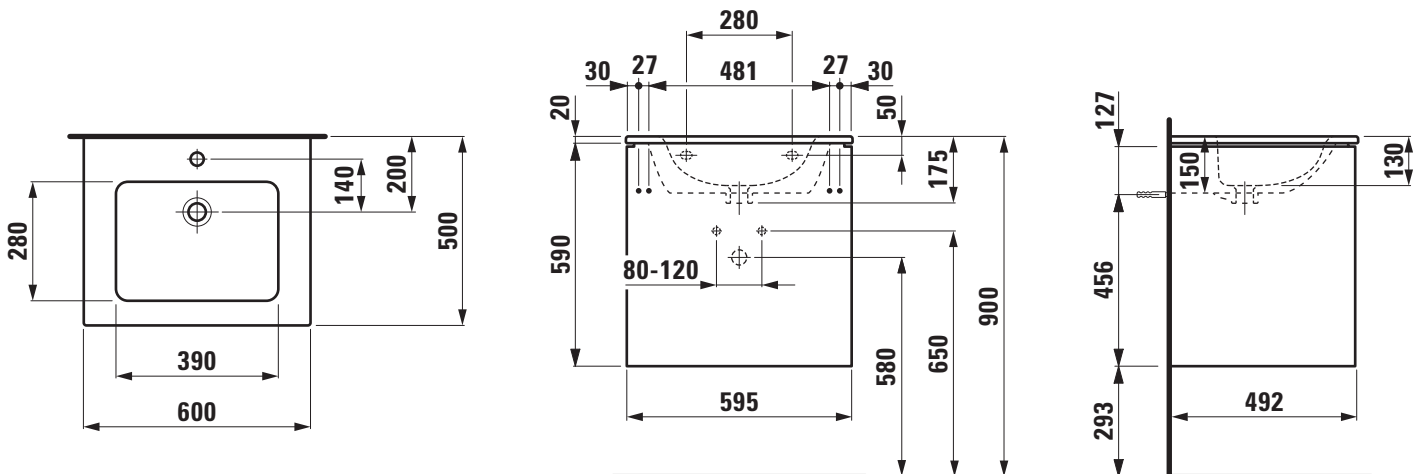




TECHNICAL DATA

Order no.	86496.0 – washbasin with vanity unit	Mounting acc. excl.	Space saving siphon, order no. 89424.1
Certified to	Washbasin – EN 31	Mounting information	The walls installed on must meet the requirements of the furniture in terms of weight and the supplied fastening elements. If this cannot be guaranteed another method of installation needs to be chosen. For example with feet.
Dimensions (WxHxD)	600 x 610 x 500 mm	Colours ceramic	000 – White
Basin capacity	6.6 litre (up to bottom line of the overflow)	Colours furniture	260 – White matt 261 – White glossy 262 – Light elm 263 – Dark brown elm M01 – Oyster white M36 – Traffic grey 999 – 39 other lacquered colours on request
Matching cabinets	Base, order no. 40261.x, 40265.x, 40268.x, 40270.x, 40272.x	SPECIFICATION TEXT	
Specification	Washbasin: Always to be fixed to the wall. Charge 104 – 1 centre tap hole Furniture Base: White matt: Body/Front MDF with PVC foil (postforming) Front with ABS edges White glossy: Body/Front MDF with PET foil (postforming) Front with ABS edges Elm light/dark: Body/Front melamine coated particle board with ABS edges Oyster white, Traffic grey: Body/Front MDF with PVC foil lacquered 2 push and pull full extension drawers (soft-close mechanism)	LAUFEN PRO S Washbasin Pack with furniture Washbasin: sanitary ceramic, EN 31, dimensions (WxD) 600 x 500 mm, angular, 1 centre tap hole Special feature: overflow channel glazed Vanity unit: Body/Front – MDF board with PVC foil (white matt), PET foil (white glossy), PVC foil lacquered (oyster white, traffic grey), Melamine coated particle board (elm light/dark), ABS edges 2 push and pull full extension drawers (soft-close mechanism) dimensions (WxHxD) 595 x 590 x 492 mm Further options / accessories: Towel rail anodized aluminium, space saving siphon, bathtubs, Base furniture Order no. 86496.0 – washbasin with vanity unit	
Weight	42,9 kg		
Accessories excl.	Feet (2 pieces), aluminium, order no. 48310.5 Towel rail, anodized aluminium, order no. 49095.2		
Mounting acc. incl.	Installation set for furniture, order no. 49114.0, 49301.5		

TECHNICAL DRAWINGS / S 1 : 20

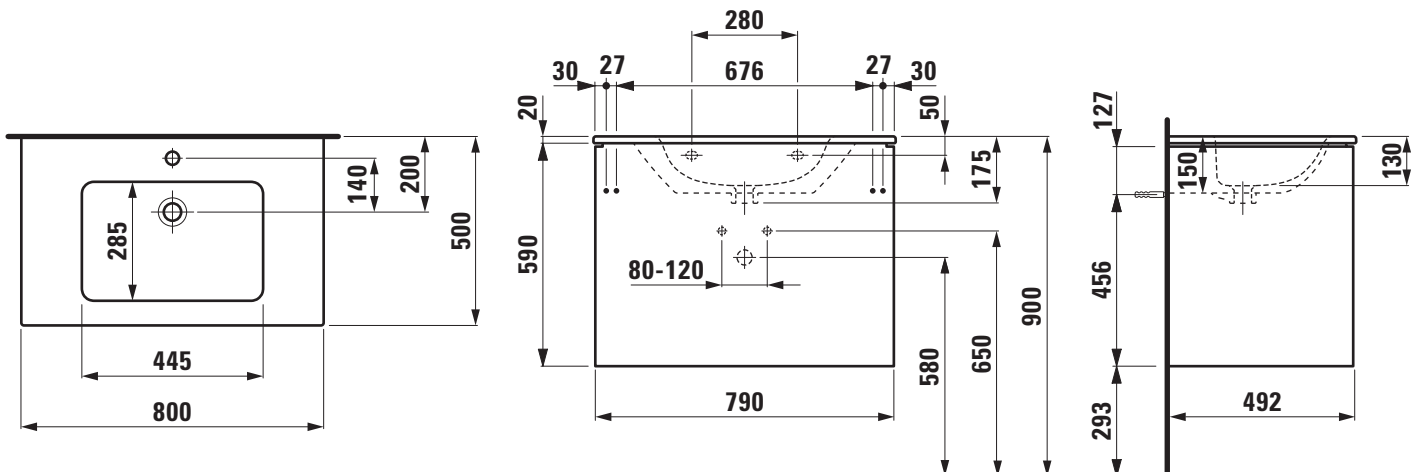




TECHNICAL DATA

Order no.	86496.1 – washbasin with vanity unit	Mounting acc. excl.	Space saving siphon, order no. 89424.1
Certified to	Washbasin – EN 31	Mounting information	The walls installed on must meet the requirements of the furniture in terms of weight and the supplied fastening elements. If this cannot be guaranteed another method of installation needs to be chosen. For example with feet.
Dimensions (WxHxD)	800 x 545 x 500 mm	Colours ceramic	000 – White
Basin capacity	7.9 litre (up to bottom line of the overflow)	Colours furniture	260 – White matt 261 – White glossy 262 – Light elm 263 – Dark brown elm M01 – Oyster white M36 – Traffic grey 999 – 39 other lacquered colours on request
Matching cabinets	Base, order no. 40261.x, 40265.x, 40268.x, 40270.x, 40272.x	SPECIFICATION TEXT	
Specification	<p>Washbasin: Always to be fixed to the wall. Charge 104 – 1 centre tap hole</p> <p>Furniture Base: White matt: Body/Front MDF with PVC foil (postforming) Front with ABS edges White glossy: Body/Front MDF with PET foil (postforming) Front with ABS edges Elm light/dark: Body/Front melamine coated particle board with ABS edges Oyster white, Traffic grey: Body/Front MDF with PVC foil lacquered 2 push and pull full extension drawers (soft-close mechanism)</p>	<p>LAUFEN PRO S Washbasin Pack with furniture Washbasin: sanitary ceramic, EN 31, dimensions (WxD) 800 x 500 mm, angular, 1 centre tap hole Special feature: overflow channel glazed Vanity unit: Body/Front – MDF board with PVC foil (white matt), PET foil (white glossy), PVC foil lacquered (oyster white, traffic grey), Melamine coated particle board (elm light/dark), ABS edges 2 push and pull full extension drawers (soft-close mechanism) dimensions (WxHxD) 790 x 590 x 492 mm Further options / accessories: Towel rail anodized aluminium, space saving siphon, bathtubs, Base furniture Order no. 86496.1 – washbasin with vanity unit</p>	
Weight	51,5 kg		
Accessories excl.	Feet (2 pieces), aluminium, order no. 48310.5 Towel rail, anodized aluminium, order no. 49095.2		
Mounting acc. incl.	Installation set for furniture, order no. 49114.0, 49301.5		

TECHNICAL DRAWINGS / S 1 : 20

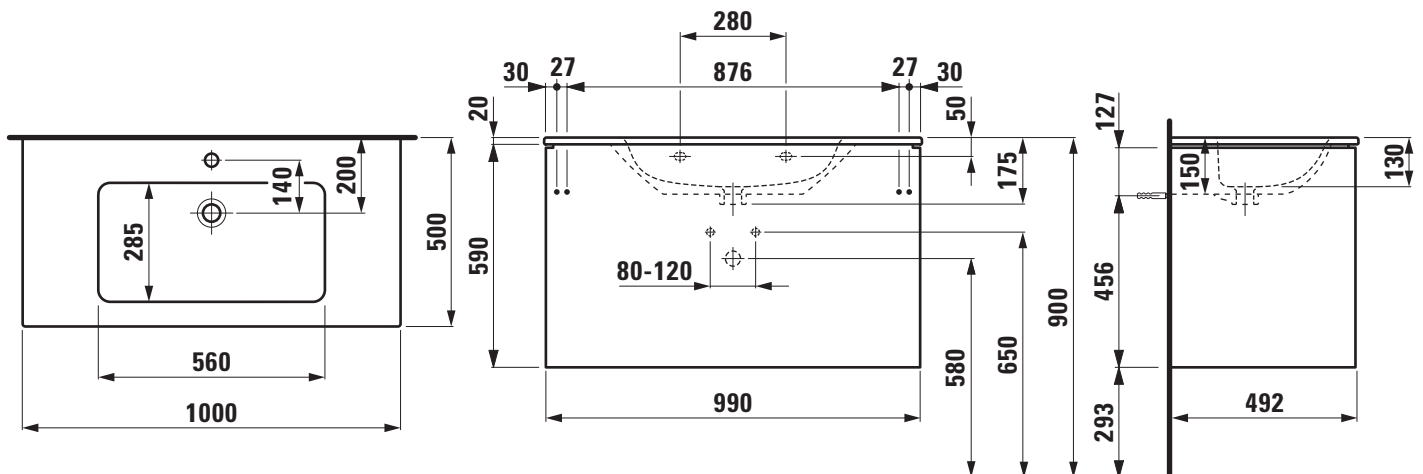




TECHNICAL DATA

Order no.	86496.2 – washbasin with vanity unit	Mounting acc. excl.	Space saving siphon, order no. 89424.1
Certified to	Washbasin – EN 31	Mounting information	The walls installed on must meet the requirements of the furniture in terms of weight and the supplied fastening elements. If this cannot be guaranteed another method of installation needs to be chosen. For example with feet.
Dimensions (WxHxD)	1000 x 610 x 500 mm	Colours ceramic	000 – White
Basin capacity	10.5 litre (up to bottom line of the overflow)	Colours furniture	260 – White matt 261 – White glossy 262 – Light elm 263 – Dark brown elm M01 – Oyster white M36 – Traffic grey 999 – 39 other lacquered colours on request
Matching cabinets	Base, order no. 40261.x, 40265.x, 40268.x, 40270.x, 40272.x	SPECIFICATION TEXT	
Specification	<p>Washbasin: Always to be fixed to the wall. Charge 104 – 1 centre tap hole</p> <p>Furniture Base: White matt: Body/Front MDF with PVC foil (postforming) Front with ABS edges White glossy: Body/Front MDF with PET foil (postforming) Front with ABS edges Elm light/dark: Body/Front melamine coated particle board with ABS edges Oyster white, Traffic grey: Body/Front MDF with PVC foil lacquered 2 push and pull full extension drawers (soft-close mechanism)</p>	<p>LAUFEN PRO S Washbasin Pack with furniture Washbasin: sanitary ceramic, EN 31, dimensions (WxD) 1000 x 500 mm, angular, 1 centre tap hole Special feature: overflow channel glazed Vanity unit: Body/Front – MDF board with PVC foil (white matt), PET foil (white glossy), PVC foil lacquered (oyster white, traffic grey), Melamine coated particle board (elm light/dark), ABS edges 2 push and pull full extension drawers (soft-close mechanism) dimensions (WxHxD) 990 x 590 x 492 mm Further options / accessories: Towel rail anodized aluminium, space saving siphon, bathtubs, Base furniture Order no. 86496.2 – washbasin with vanity unit</p>	
Weight	59,7 kg		
Accessories excl.	Feet (2 pieces), aluminium, order no. 48310.5 Towel rail, anodized aluminium, order no. 49095.2		
Mounting acc. incl.	Installation set for furniture, order no. 49114.0, 49301.5		

TECHNICAL DRAWINGS / S 1 : 20





TECHNICAL DATA

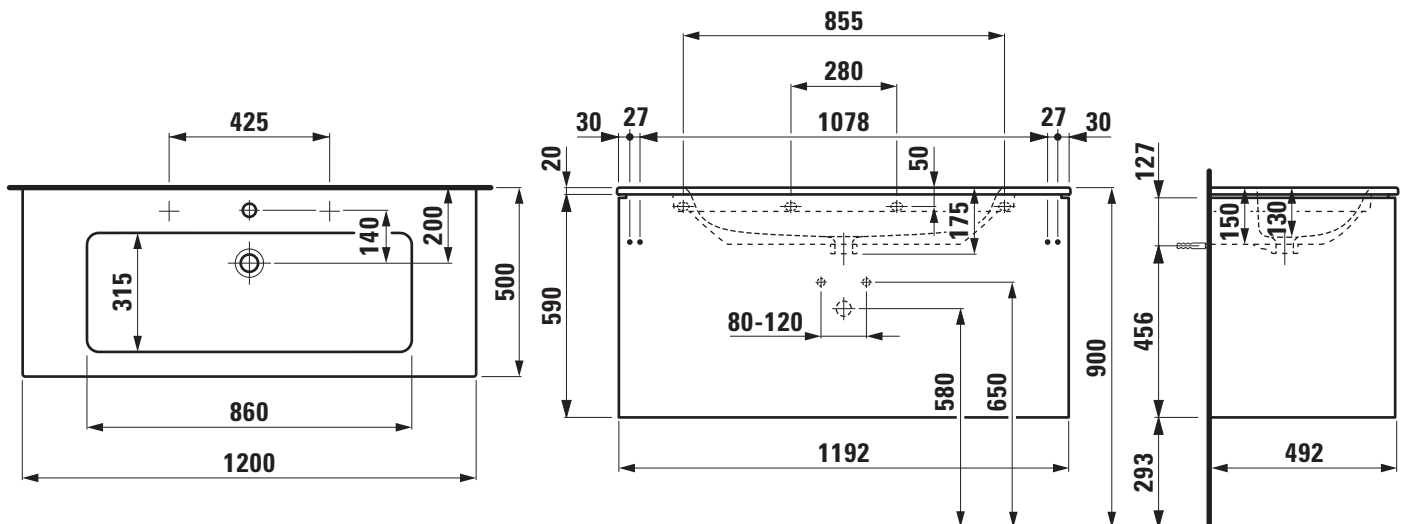
Order no.	86496.3 – washbasin with vanity unit
Certified to	Washbasin – EN 31
Dimensions (WxHxD)	1200 x 610 x 500 mm
Basin capacity	16.3 litre (up to bottom line of the overflow)
Matching cabinets	Base, order no. 40261.x, 40265.x, 40268.x, 40270.x, 40272.x
Specification	<p>Washbasin:</p> <p>Always to be fixed to the wall.</p> <p>Charge 104 – 1 centre tap hole</p> <p>Charge 107 – 2 tap holes</p> <p>Furniture Base:</p> <p>White matt: Body/Front MDF with PVC foil (postforming) Front with ABS edges</p> <p>White glossy: Body/Front MDF with PET foil (postforming) Front with ABS edges</p> <p>Elm light/dark: Body/Front melamine coated particle board with ABS edges</p> <p>Oyster white, Traffic grey: Body/Front MDF with PVC foil lacquered</p> <p>2 push and pull full extension drawers (soft-close mechanism)</p>
Weight	70,5 kg
Accessories excl.	Feet (2 pieces), aluminium, order no. 48310.5 Towel rail, anodized aluminium, order no. 49095.2
Mounting acc. incl.	Installation set for furniture, order no. 49114.0, 49301.5

Mounting acc. excl.	Space saving siphon, order no. 89424.1
Mounting information	The walls installed on must meet the requirements of the furniture in terms of weight and the supplied fastening elements. If this cannot be guaranteed another method of installation needs to be chosen. For example with feet.
Colours ceramic	000 – White
Colours furniture	260 – White matt 261 – White glossy 262 – Light elm 263 – Dark brown elm M01 – Oyster white M36 – Traffic grey 999 – 39 other lacquered colours on request

SPECIFICATION TEXT

LAUFEN PRO S Washbasin Pack with furniture
 Washbasin: sanitary ceramic, EN 31, dimensions (WxD) 1200 x 500 mm, angular, Charge 104 – 1 centre tap hole, Charge 107 – 2 tap holes
 Special feature: overflow channel glazed
 Vanity unit: Body/Front – MDF board with PVC foil (white matt), PET foil (white glossy), PVC foil lacquered (oyster white, traffic grey), Melamine coated particle board (elm light/dark), ABS edges
 2 push and pull full extension (soft-close mechanism)
 dimensions (WxHxD) 1192 x 590 x 492 mm
 Further options / accessories: Towel rail anodized aluminium, space saving siphon, bathtubs, Base furniture
 Order no. 86496.3 – washbasin with vanity unit

TECHNICAL DRAWINGS / S 1 : 20



SET LAUFEN PRO S

Built in basin grinded

81196.6



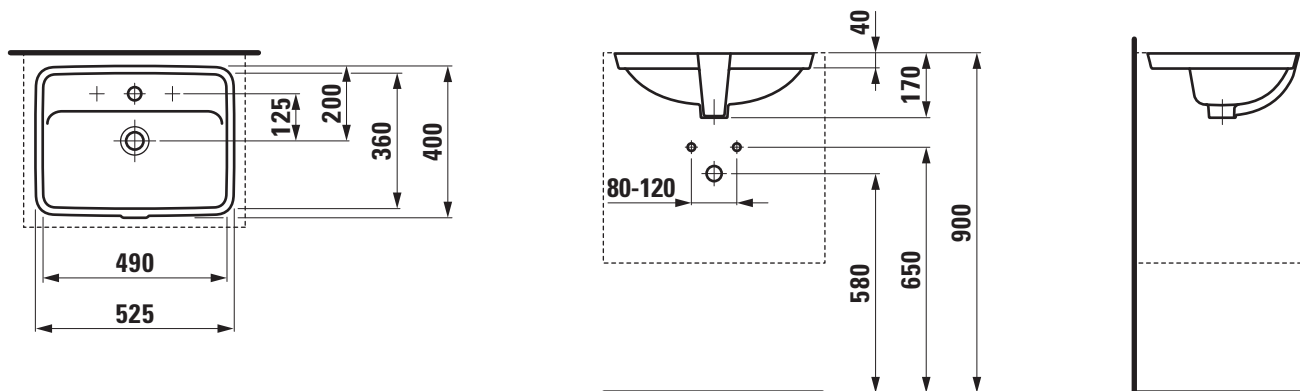
TECHNICAL DATA

Order no.	81196.6
Dimensions	525 x 400 mm
Inside dimensions of the basin	490 x 360 mm
Specification	Charge 104 – 1 centre tap hole
Special specification	Charge 108 – 3 tap holes Charge 109 – without tap hole
Weight	8,0 kg
Mounting acc. incl.	Template, order no. 89790.4 Mounting set, order no. 89296.3
Colours	see colour table

SPECIFICATION TEXT

Built in basin grinded LAUFEN PRO S, sanitary ceramic dimensions 525 x 400 mm, inside dimensions of the basin 490 x 360 mm, angular
1 centre tap hole, overflow in front
Special feature: overflow channel glazed
Further options / accessories: Surface refinement LCC (only white), 3 tap holes, without tap holes, bathtubs, furniture
Order no. 81196.6

TECHNICAL DRAWINGS / S 1 : 20



SET LAUFEN PRO S
Built in basin not grinded
81196.0



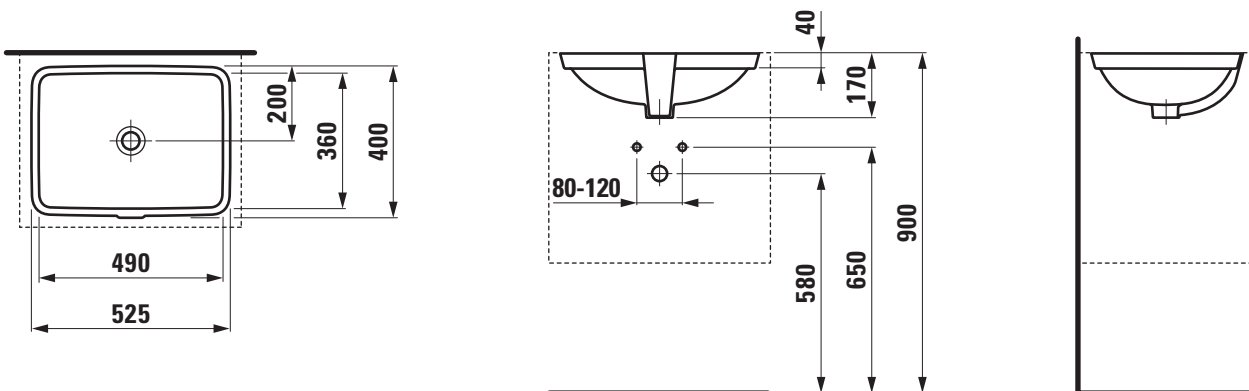
TECHNICAL DATA

Order no.	81196.0
Dimensions	525 x 400 mm
Inside dimensions of the basin	490 x 360 mm
Specification	Charge 109 – without tap hole
Weight	8,0 kg
Mounting acc. incl.	Template, order no. 89790.4 Mounting set, order no. 89296.3
Colours	see colour table

SPECIFICATION TEXT

Built in basin not grinded LAUFEN PRO S, sanitary ceramic dimensions 525 x 400 mm, inside dimensions of the basin 490 x 360 mm, angular
 without tap hole, overflow in front
 Special feature: overflow channel glazed
 Further options / accessories: Surface refinement LCC (only white), bathtubs, furniture
 Order no. 81196.0

TECHNICAL DRAWINGS / S 1 : 20



SET LAUFEN PRO S
Built in basin grinded
81196.1



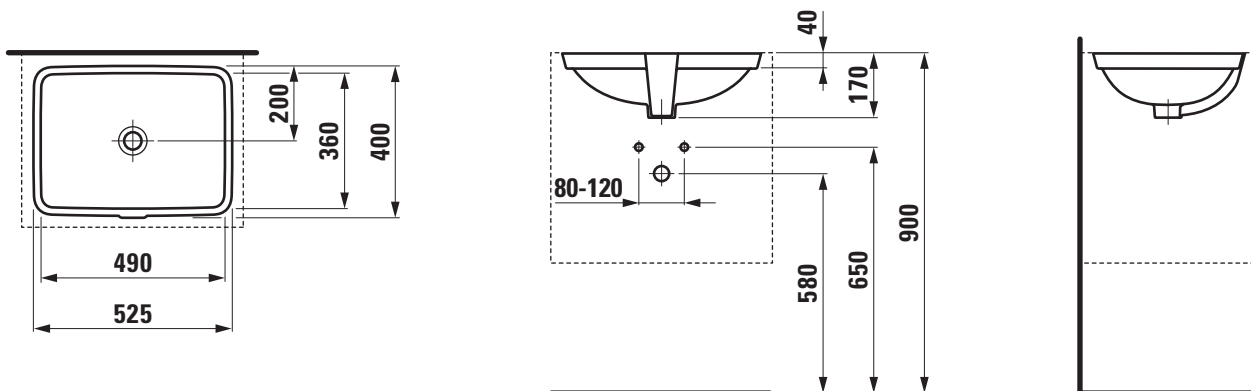
TECHNICAL DATA

Order no.	81196.1
Dimensions	525 x 400 mm
Inside dimensions of the basin	490 x 360 mm
Specification	Charge 109 – without tap hole
Weight	8,0 kg
Mounting acc. incl.	Template, order no. 89790.4 Mounting set, order no. 89296.3
Colours	see colour table

SPECIFICATION TEXT

Built in basin grinded LAUFEN PRO S, sanitary ceramic dimensions 525 x 400 mm, inside dimensions of the basin 490 x 360 mm, angular
 without tap hole, overflow in front
 Special feature: overflow channel glazed
 Further options / accessories: Surface refinement LCC (only white), bathtubs, furniture
 Order no. 81196.1

TECHNICAL DRAWINGS / S 1 : 20



SET LAUFEN PRO S
Built in basin not grinded
81196.3



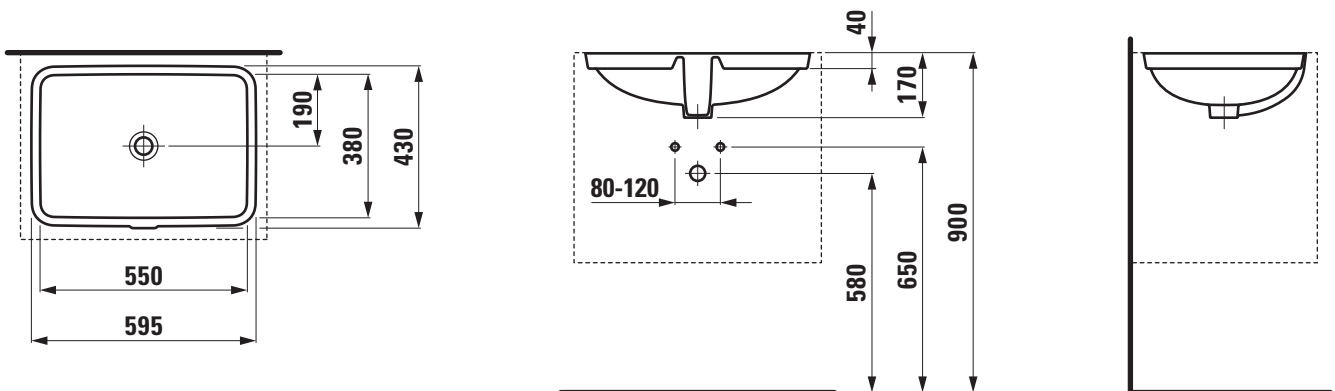
TECHNICAL DATA

Order no.	81196.3
Certified to	EN 31
Dimensions	595 x 430 mm
Inside dimensions of the basin	550 x 380 mm
Specification	Charge 109 – without tap hole
Weight	9,0 kg
Mounting acc. incl.	Template, order no. 89790.6 Mounting set, order no. 89296.3
Colours	see colour table

SPECIFICATION TEXT

Built in basin not grinded LAUFEN PRO S, sanitary ceramic EN 31 dimensions 595 x 430 mm, inside dimensions of the basin 550 x 380 mm, angular without tap hole, overflow in front
 Special feature: overflow channel glazed
 Further options / accessories: Surface refinement LCC (only white), bathtubs, furniture
 Order no. 81196.3

TECHNICAL DRAWINGS / S 1 : 20



SET LAUFEN PRO S
Built in basin grinded
81196.8



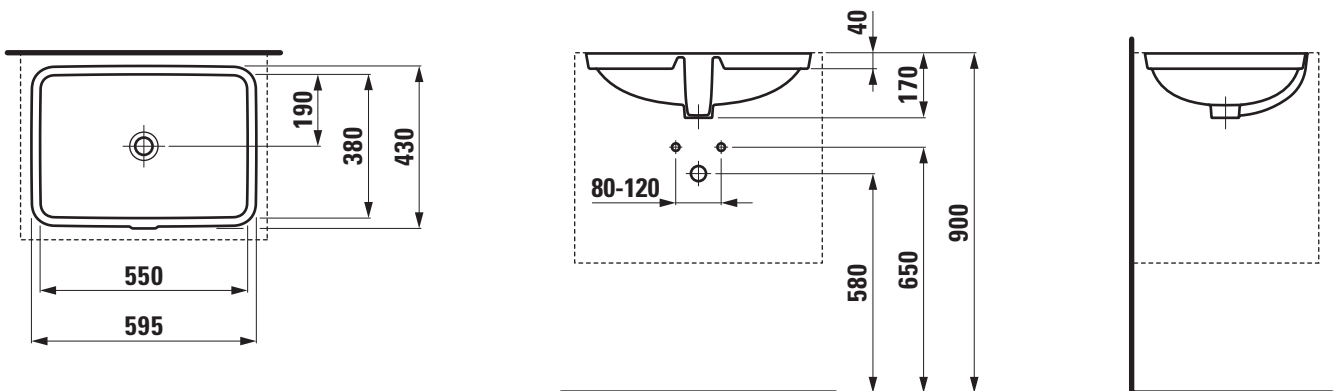
TECHNICAL DATA

Order no.	81196.8
Certified to	EN 31
Dimensions	595 x 430 mm
Inside dimensions of the basin	550 x 380 mm
Specification	Charge 109 – without tap hole
Weight	9,0 kg
Mounting acc. incl.	Template, order no. 89790.6 Mounting set, order no. 89296.3
Colours	see colour table

SPECIFICATION TEXT

Built in basin grinded LAUFEN PRO S, sanitary ceramic
 EN 31
 dimensions 595 x 430 mm, inside dimensions of the basin 550 x 380 mm, angular
 without tap hole, overflow in front
 Special feature: overflow channel glazed
 Further options / accessories: Surface refinement LCC (only white), bathtubs, furniture
 Order no. 81196.8

TECHNICAL DRAWINGS / S 1 : 20



SET LAUFEN PRO S

Built in basin not grinded 81196.5



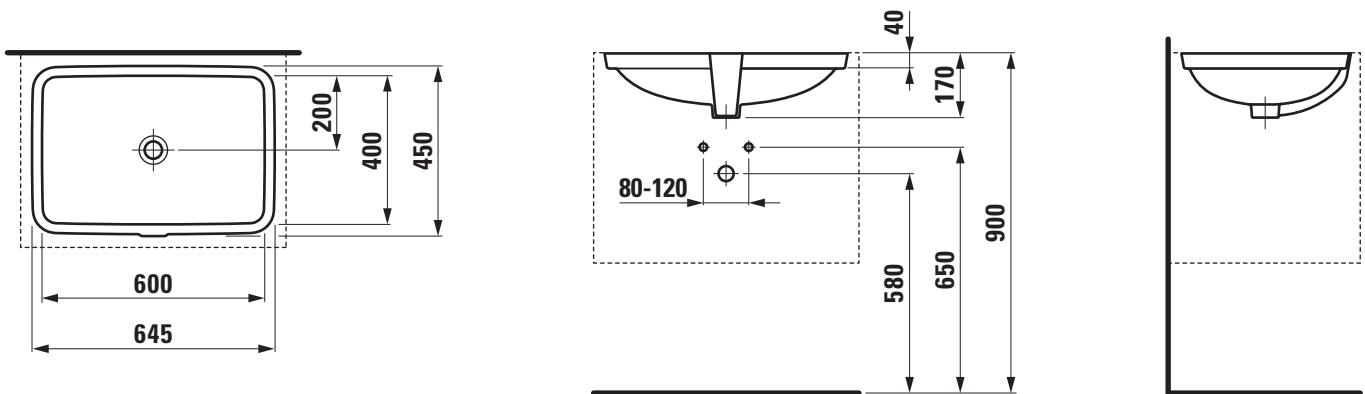
TECHNICAL DATA

Order no.	81196.5
Certified to	EN 31
Dimensions	645 x 450 mm
Inside dimensions of the basin	600 x 400 mm
Specification	Charge 109 – without tap hole
Weight	9,5 kg
Mounting acc. incl.	Template, order no. 89790.5 Mounting set, order no. 89296.3
Colours	see colour table

SPECIFICATION TEXT

Built in basin not grinded LAUFEN PRO S, sanitary ceramic EN 31 dimensions 645 x 450 mm, inside dimensions of the basin 600 x 400 mm, angular without tap hole, overflow in front
 Special feature: overflow channel glazed
 Further options / accessories: Surface refinement LCC (only white), bathtubs, furniture
 Order no. 81196.5

TECHNICAL DRAWINGS / S 1 : 20



SET LAUFEN PRO S
Built in basin grinded
81196.9



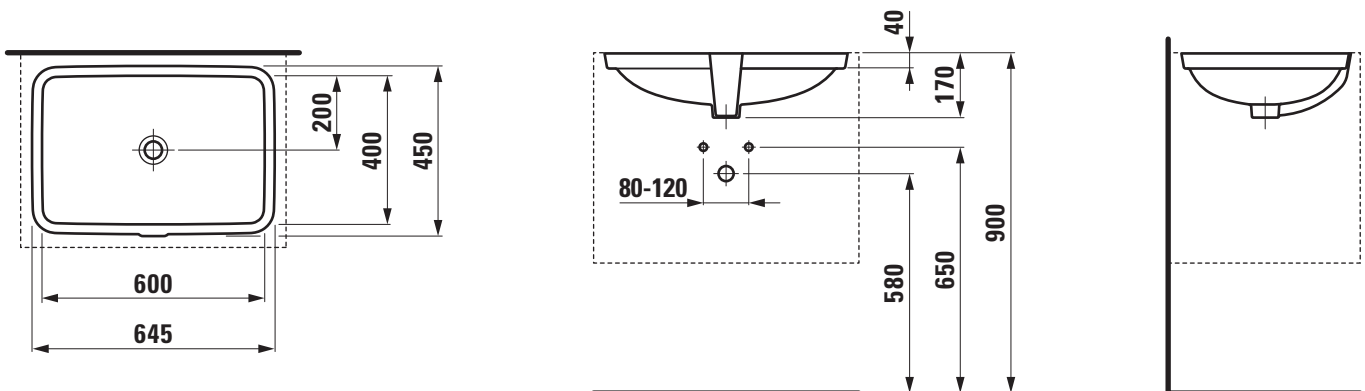
TECHNICAL DATA

Order no.	81196.9
Certified to	EN 31
Dimensions	645 x 450 mm
Inside dimensions of the basin	600 x 400 mm
Specification	Charge 109 – without tap hole
Weight	9,5 kg
Mounting acc. incl.	Template, order no. 89790.5 Mounting set, order no. 89296.3
Colours	see colour table

SPECIFICATION TEXT

Built in basin grinded LAUFEN PRO S, sanitary ceramic EN 31
 dimensions 645 x 450 mm, inside dimensions of the basin 600 x 400 mm, angular
 without tap hole, overflow in front
 Special feature: overflow channel glazed
 Further options / accessories: Surface refinement LCC (only white), bathtubs, furniture
 Order no. 81196.9

TECHNICAL DRAWINGS / S 1 : 20



SET LAUFEN PRO S

Drop in basin

81896.3



TECHNICAL DATA

Order no.	81896.3
Dimensions	560 x 440 mm
Inside dimensions of the basin	470 x 275 mm
matching for	Washtop Case
Specification	Charge 104 – 1 centre tap hole
Special specification	Charge 108 – 3 tap holes Charge 109 – without tap hole Charge 136 – 3 tap holes, distance 8 inches
Weight	9,0 kg
Mounting acc. incl.	Template, order no. 89996.7
Mounting acc. excl.	Silicon caoutchouc Siphon D40 chrome, order no. 89397.9
Colours	see colour table

SPECIFICATION TEXT

Drop in basin LAUFEN PRO S, sanitary ceramic dimensions 560 x 440 mm, angular

1 centre tap hole, overflow in front

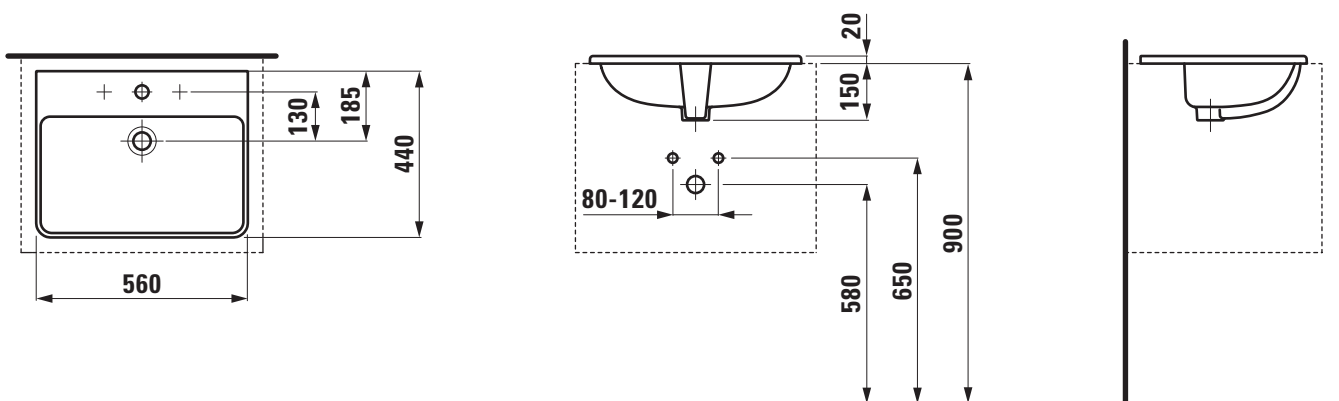
Special feature: overflow channel glazed

Further options / accessories: Surface refinement LCC (only white),

3 tap holes, without tap holes, 3 tap holes distance 8 inches, bathtubs, furniture, washtops Case

Order no. 81896.3

TECHNICAL DRAWINGS / S 1 : 20



Washbasin bowl Compact undersurface ground
81295.2



TECHNICAL DATA

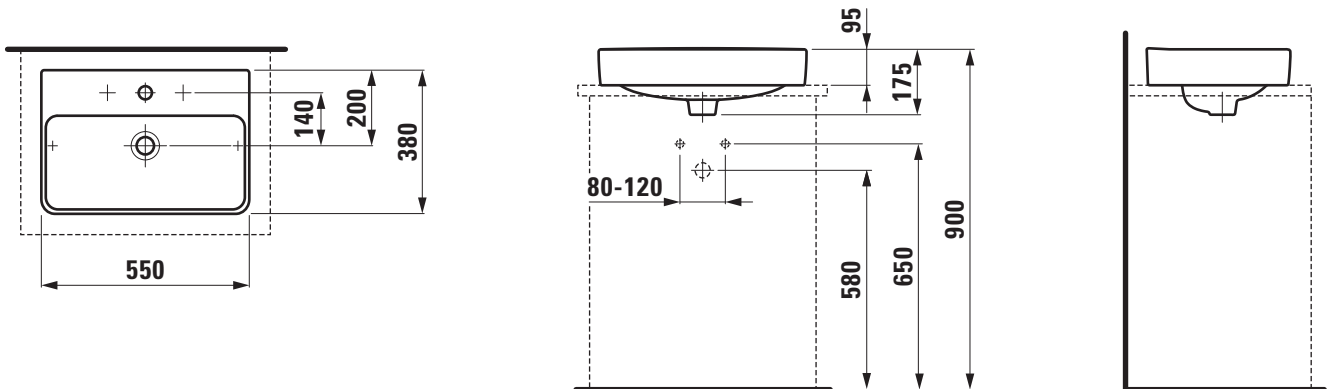
Order no.	81295.2
Certified to	EN 31
Dimensions	550 x 380 mm
Inside dimensions of the basin	500 x 225 mm
matching for	Washtop Case and Space
Specification	Charge 104 – 1 centre tap hole
Special specification	Charge 108 – 3 tap holes Charge 109 – without tap hole Charge 142 – without tap hole, without overflow and without open drain Charge 156 – 1 centre tap hole, without overflow and without open drain
Weight	12,0
Mounting acc. incl.	Template, order no. 89896.1 Fastening kit, order no. 89194.0

Mounting acc. excl. Siphon D40 chrome, order no. 89397.9
 Colours see colour table

SPECIFICATION TEXT

Compact washbasin bowl undersurface ground LAUFEN PRO S, sanitary ceramic
 EN 31
 dimensions 550 x 380 mm, angular
 1 centre tap hole
 Special feature: overflow channel glazed
 Further options / accessories: Surface refinement LCC (only white), 3 tap holes, without tap holes, without tap holes/overflow and open drain, 1 tap hole/without overflow and open drain, bathtubs, furniture, washtops Case and Space
 Order no. 81295.2

TECHNICAL DRAWINGS / S 1 : 20



Washbasin bowl Compact undersurface ground
81295.3



TECHNICAL DATA

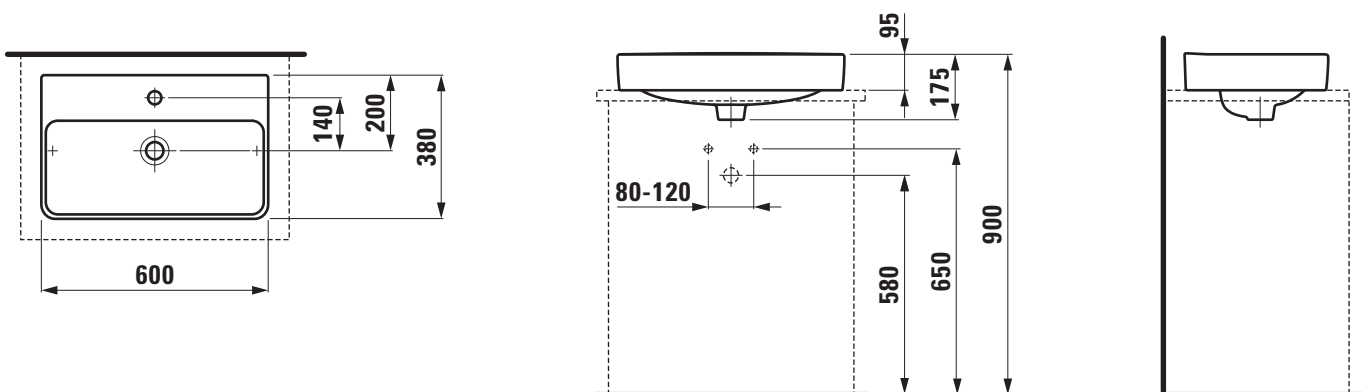
Order no.	81295.3
Certified to	EN 31
Dimensions	600 x 380 mm
Inside dimensions of the basin	540 x 225 mm
matching for	Washtop Case and Space
Specification	Charge 104 – 1 centre tap hole
Special specification	Charge 109 – without tap hole Charge 142 – without tap hole, without overflow and without open drain Charge 156 – 1 centre tap hole, without overflow and without open drain
Weight	12,0 kg
Mounting acc. incl.	Template, order no. 89896.2 Fastening kit, order no. 89194.0
Mounting acc. excl.	Siphon D40 chrome, order no. 89397.9

Colours see colour table

SPECIFICATION TEXT

Compact washbasin bowl undersurface ground LAUFEN PRO S, sanitary ceramic
 EN 31
 dimensions 600 x 380 mm, angular
 1 centre tap hole
 Special feature: overflow channel glazed
 Further options / accessories: Surface refinement LCC (only white), without tap holes, without tap holes/overflow and open drain, 1 tap hole/without overflow and open drain, bathtubs, furniture, washtops Case and Space
 Order no. 81295.3

TECHNICAL DRAWINGS / S 1 : 20



SET LAUFEN PRO S

Washbasin bowl

81695.2



TECHNICAL DATA

Order no.	81695.2
Certified to	EN 31
Dimensions	600 x 400 mm
Inside dimensions of the basin	500 x 300 mm
matching for	Washtop Case and Space
Specification	Charge 112 – without tap hole without overflow
Weight	14,5 kg
Mounting acc. incl.	Template, order no. 89295.3 Fastening kit, order no. 89194.0
Mounting acc. excl.	valve without overflow always open, order no. 89543.9 Siphon D40 chrome, order no. 89397.9
Colours	see colour table

SPECIFICATION TEXT

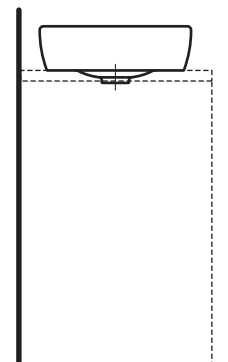
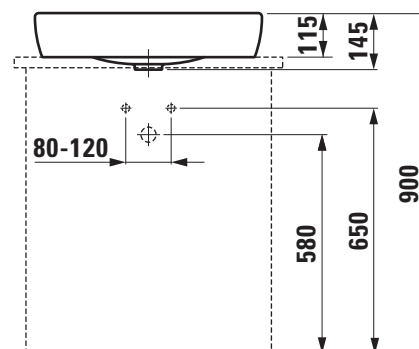
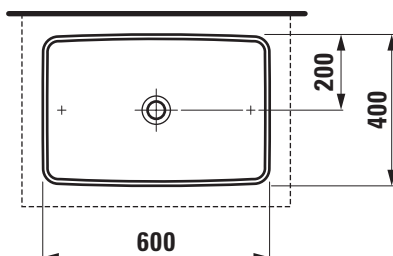
Washbasin bowl LAUFEN PRO S, sanitary ceramic EN 31

dimensions 600 x 400 mm, angular without tap hole and overflow

Further options / accessories: Surface refinement LCC (only white), bathtubs, furniture, washtops Case and Space

Order no. 81695.2

TECHNICAL DRAWINGS / S 1 : 20



SET LAUFEN PRO S

Small washbasin

81596.0



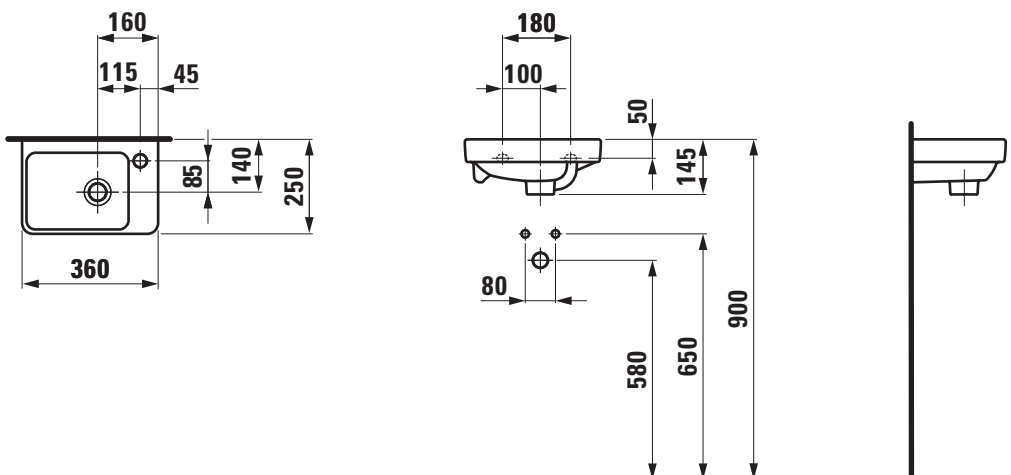
TECHNICAL DATA

Order no.	81596.0
Certified to	EN 31
Dimensions	360 x 250 mm
Specification	Charge 104 – 1 tap hole right
Special specification	Charge 109 – without tap hole
Weight	6,0 kg
Mounting acc. excl.	Mounting set M10 x 140 mm, order no. 89988.2
Colours	see colour table

SPECIFICATION TEXT

Small washbasin LAUFEN PRO S, sanitary ceramic
EN 31
dimensions 360 x 250 mm, angular
1 tap hole right
Special feature: overflow channel glazed
Further options / accessories: Surface refinement LCC (only white), without
tap hole
Order no. 81596.0

TECHNICAL DRAWINGS / S 1 : 20



SET LAUFEN PRO S

Small washbasin

81596.1



TECHNICAL DATA

Order no.	81596.1
Certified to	EN 31
Dimensions	450 x 340 mm
Inside dimensions of the basin	415 x 208 mm
Specification	Charge 104 – 1 centre tap hole
Special specification	Charge 109 – without tap holes, with overflow Charge 142 – without tap hole, without overflow and without open drain Charge 156 – 1 centre tap hole, without overflow and without open drain
Weight	9,5 kg
Accessories excl.	Siphon cover, order no. 81996.4
Mounting acc. excl.	Mounting set M10 x 140 mm, order no. 89988.2
Colours	see colour table

SPECIFICATION TEXT

Small washbasin LAUFEN PRO S, sanitary ceramic EN 31

dimensions 450 x 340 mm, angular

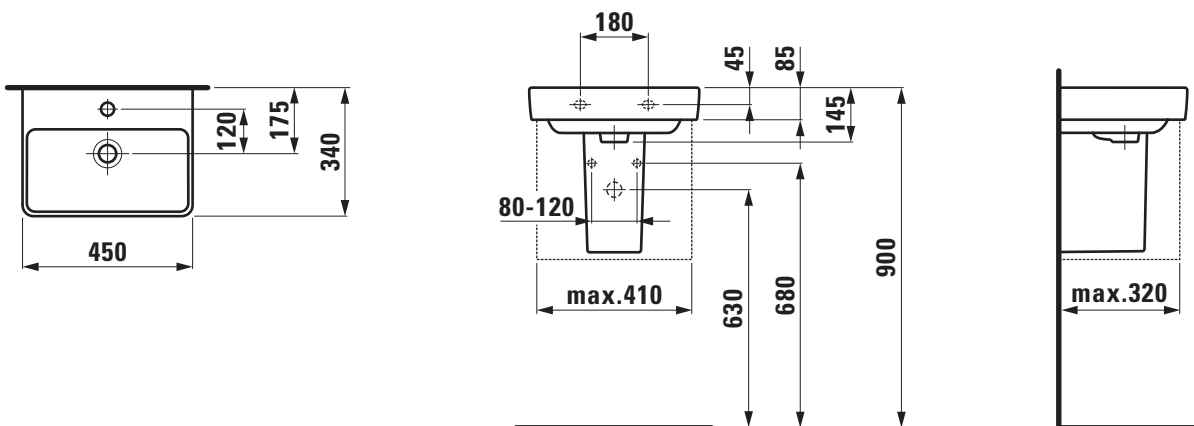
1 centre tap hole

Special feature: overflow channel glazed

Further options / accessories: Surface refinement LCC (only white), without tap hole, without tap hole/overflow and open drain, 1 tap hole/without overflow and open drain, siphon cover, furniture

Order no. 81596.1

TECHNICAL DRAWINGS / S 1 : 20



SET LAUFEN PRO S

Siphon cover

81996.4



TECHNICAL DATA

Order no.	81996.4
matching for	Small wash basin, order no. 81596.1
Weight	
Mounting acc. incl.	Device for fixing, order no. 89001.5
Colours	see colour table

SPECIFICATION TEXT

Siphon cover LAUFEN PRO S, sanitary ceramic
matching small washbasin order no. 81596.1
Order no. 81996.4

SET LAUFEN PRO S

Countertop small washbasin

81595.4



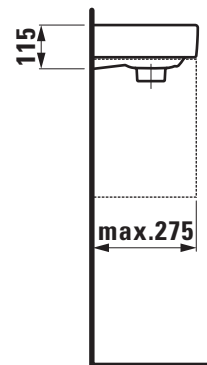
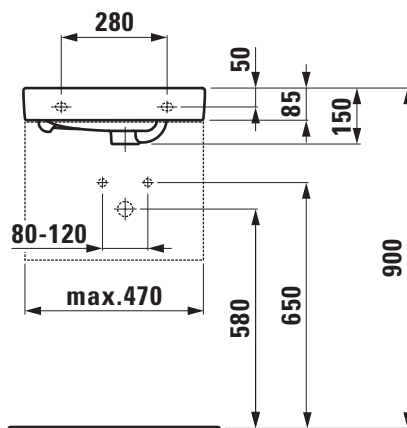
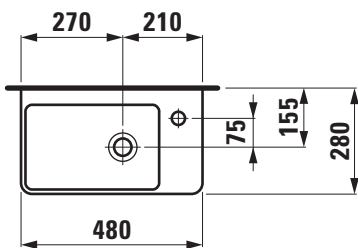
TECHNICAL DATA

Order no.	81595.4
Certified to	EN 31
Dimensions	480 x 280 mm
Inside dimensions of the basin	355 x 225 mm
Specification	Charge 104 – 1 tap hole right
Special specification	Charge 109 – without tap hole
Weight	8,5 kg
Mounting acc. excl.	Mounting set M10 x 140 mm, order no. 89988.2
Colours	see colour table

SPECIFICATION TEXT

Countertop small washbasin LAUFEN PRO S, sanitary ceramic EN 31
 dimensions 480 x 280 mm, angular
 1 tap hole right
 Special feature: overflow channel glazed
 Further options / accessories: Surface refinement LCC (only white), without tap hole, furniture
 Order no. 81595.4

TECHNICAL DRAWINGS / S 1 : 20



SET LAUFEN PRO S

Countertop small washbasin

81595.5



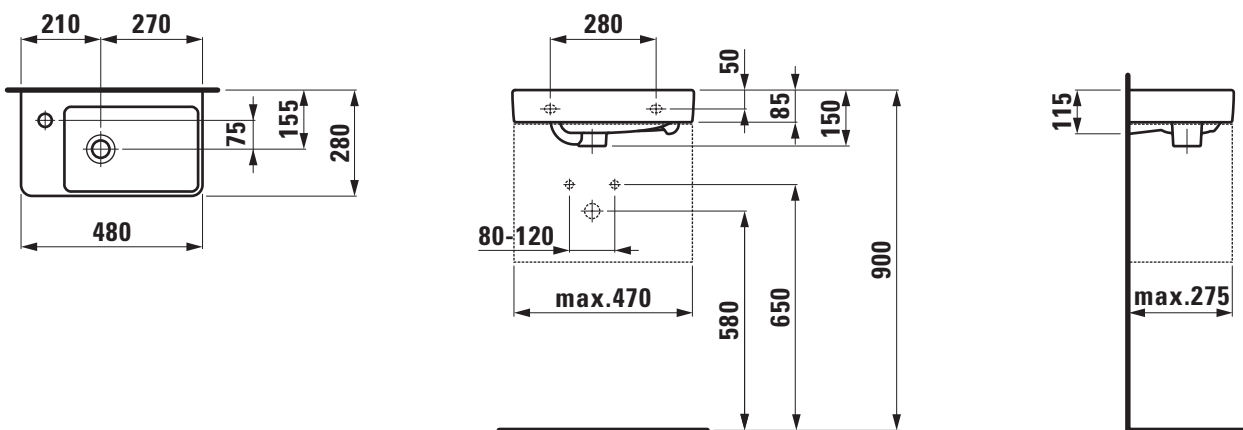
TECHNICAL DATA

Order no.	81595.5
Certified to	EN 31
Dimensions	480 x 280 mm
Inside dimensions of the basin	355 x 225 mm
Specification	Charge 104 – 1 tap hole left
Special specification	Charge 109 – without tap hole
Weight	8,5 kg
Mounting acc. excl.	Mounting set M10 x 140 mm, order no. 89988.2
Colours	see colour table

SPECIFICATION TEXT

Countertop small washbasin LAUFEN PRO S, sanitary ceramic EN 31
 dimensions 480 x 280 mm, angular
 1 tap hole left
 Special feature: overflow channel glazed
 Further options / accessories: Surface refinement LCC (only white), without tap hole, furniture
 Order no. 81595.5

TECHNICAL DRAWINGS / S 1 : 20



SET LAUFEN PRO S

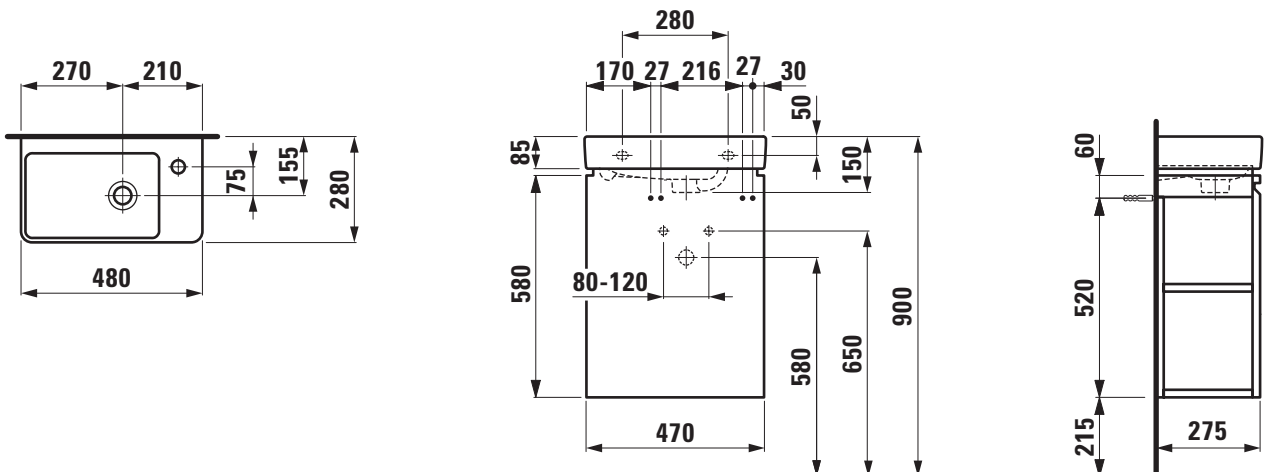
Small washbasin Pack with furniture, space saving siphon and all mounting accessories 86296.4



TECHNICAL DATA

Order no.	86296.4 – small washbasin with vanity unit	Mounting information	The walls installed on must meet the requirements of the furniture in terms of weight and the supplied fastening elements. If this cannot be guaranteed another method of installation needs to be chosen. For example with feet.
Certified to	Small washbasin – EN 31	Colours ceramic	000 – White
Dimensions (WxD)	480 x 280 mm	Colours furniture	463 – White matt 475 – White glossy
Inside dimensions of the basin	355 x 225 mm	SPECIFICATION TEXT	
Specification	<p>Washbasin: Always to be fixed to the wall. Charge 104 – 1 tap hole right</p> <p>Furniture: Body/Front – MDF board with PVC foil Integrated handle in the front 1 door 1 shelf (adjustable) 1 shelf left, side open</p>	<p>LAUFEN PRO S Small washbasin Pack with furniture, space saving siphon and all mounting accessories Small washbasin: sanitary ceramic, EN 31, dimensions (WxD) 480 x 280 mm, angular, 1 tap hole right Special feature: overflow channel glazed Vanity unit: Body – MDF board with PVC foil, Integrated handle in the front, 1 door, 1 shelf (adjustable), 1 shelf left, side open dimensions (WxD) 470 x 605 x 275 mm Space saving siphon: EU version, DN 32 Further options / accessories: bathtubs, furniture Order no. 86296.4 – washbasin with vanity unit</p>	
Weight	26,0 kg		
Accessories excl.	Feet (2 pieces), aluminium, order no. 48310.4		
Mounting acc. incl.	<p>Mounting set M10 x 140 mm, order no. 89988.2 Installation tape, order no. 89299.2 Installation set for furniture, order no. 49120.6, 49114.0 Space saving siphon DN 32 (EU), order no. 89424.0</p>		

TECHNICAL DRAWINGS / S 1 : 20



Small washbasin Pack with furniture, space saving siphon and all mounting accessories

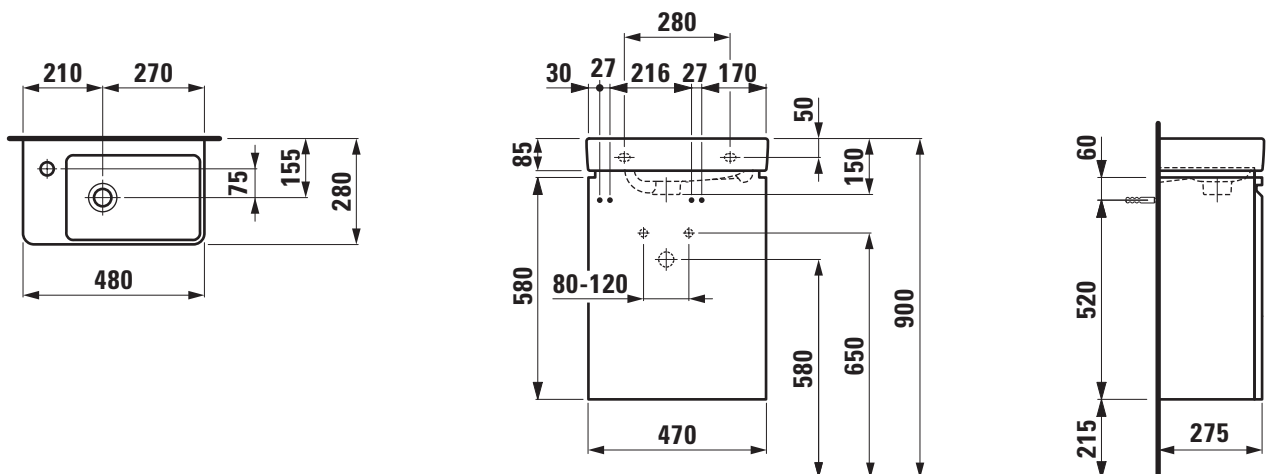
86296.5



TECHNICAL DATA

Order no.	86296.5 – small washbasin with vanity unit	Mounting information	The walls installed on must meet the requirements of the furniture in terms of weight and the supplied fastening elements. If this cannot be guaranteed another method of installation needs to be chosen. For example with feet.
Certified to	Small washbasin – EN 31	Colours ceramic	000 – White
Dimensions (WxHxD)	480 x 685 x 280 mm	Colours furniture	463 – White matt 475 – White glossy
Inside dimensions of the basin	355 x 225 mm	SPECIFICATION TEXT	
Specification	<p>Washbasin: Always to be fixed to the wall. Charge 104 – 1 tap hole left</p> <p>Furniture: Body/Front – MDF board with PVC foil Integrated handle in the front 1 door 1 shelf (adjustable) 1 shelf right, side open</p>	<p>LAUFEN PRO S Small washbasin Pack with furniture, space saving siphon and all mounting accessories Small washbasin: sanitary ceramic, EN 31, dimensions (WxD) 480 x 280 mm, angular, 1 tap hole left Special feature: overflow channel glazed Vanity unit: Body – MDF board with PVC foil, Integrated handle in the front, 1 door, 1 shelf (adjustable), 1 shelf right, side open dimensions (WxHxD) 470 x 605 x 275 mm Space saving siphon: EU version, DN 32 Further options / accessories: bathtubs, furniture Order no. 86296.5 – washbasin with vanity unit</p>	
Weight	26,0 kg		
Accessories excl.	Feet (2 pieces), aluminium, order no. 48310.4		
Mounting acc. incl.	<p>Mounting set M10 x 140 mm, order no. 89988.2 Installation tape, order no. 89299.2 Installation set for furniture, order no. 49120.6, 49114.0 Space saving siphon DN 32 (EU), order no. 89424.0</p>		

TECHNICAL DRAWINGS / S 1 : 20



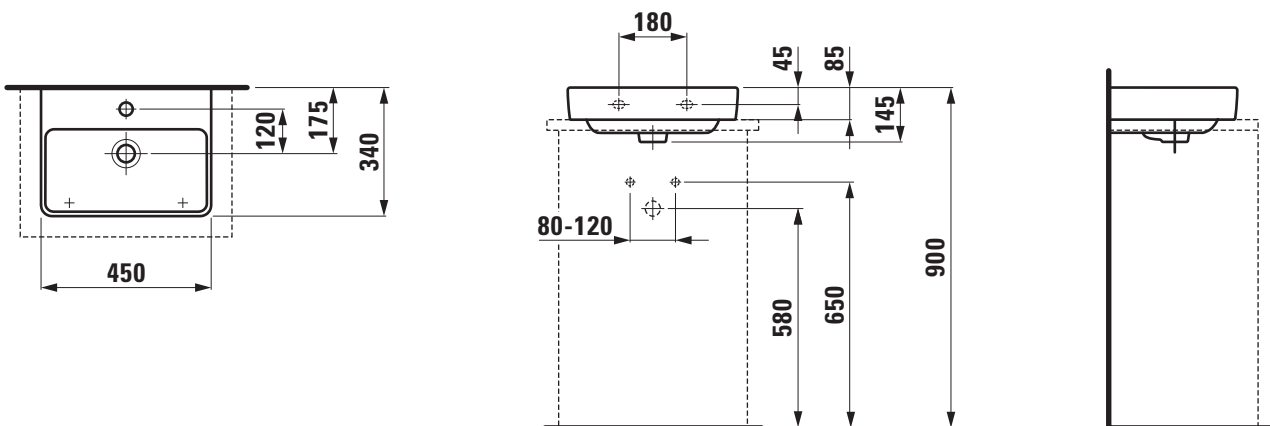
**Small washbasin undersurface ground
81696.1**



TECHNICAL DATA

Order no.	81696.1	Mounting acc. incl.	Template, order no. 89696.2 Fastening kit, order no. 89194.0
Certified to	EN 31	Mounting acc. excl.	Mounting set M10 x 140 mm, order no. 89988.2
Dimensions	450 x 340 mm	Colours	see colour table
Inside dimensions of the basin	415 x 208 mm	SPECIFICATION TEXT	
matching for	Washtop Case	Small washbasin undersurface ground LAUFEN PRO S, sanitary ceramic	
Specification	Always to be fixed to the wall. Undersurface ground Charge 104 – 1 centre tap hole	EN 31	
Special specification	Charge 109 – without tap holes, with overflow Charge 142 – without tap hole, without overflow and without open drain Charge 156 – 1 centre tap hole, without overflow and without open drain	dimensions 450 x 340 mm, angular 1 centre tap hole Special feature: overflow channel glazed	
Weight	9,5 kg	Further options / accessories: Surface refinement LCC (only white), without tap hole, without tap hole/overflow and open drain, 1 tap hole/without overflow and open drain, furniture, washtops Case	
		Order no. 81696.1	

TECHNICAL DRAWINGS / S 1 : 20



SET LAUFEN PRO S

Wallhung WC rimless

82096.2



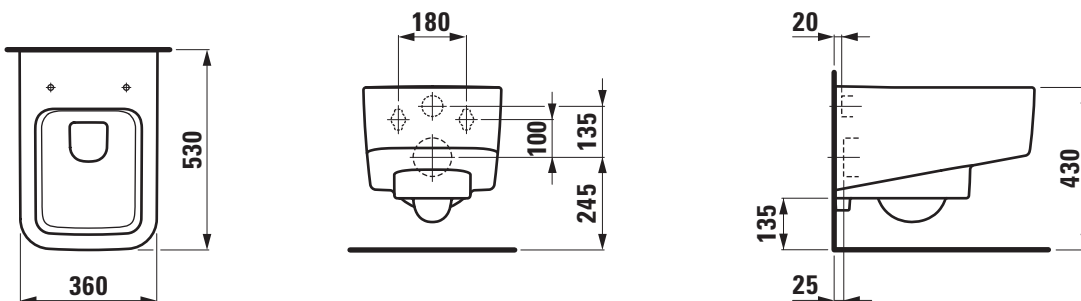
TECHNICAL DATA

Order no.	82096.2
Certified to	EN 997, EN 33
Specification	rimless Washdown for 4,5/3-l-flush
Weight	20,0 kg
Accessories excl.	Seat and cover, order no. 89196.0 Seat and cover with automatic lowering system, order no. 89196.1
Mounting acc. incl.	laufen EasyFit system M12, order no. 89282.7
Mounting acc. excl.	Stone screw fastening kit M12
Colours	see colour table

SPECIFICATION TEXT

Wallhung WC rimless washdown LAUFEN PRO S, sanitary ceramic, for concealed cistern
 EN 997, EN 33, 4,5/3-l-flush, dimensions 360 x 530 x 340 mm
 concealed trap, concealed fixation
 Special feature: rimless, concealed surfaces directing water are fully glazed throughout, vacuum checked
 Further options / accessories: Surface refinement LCC (only white), WC seat and cover, 89196.0, WC seat and cover with automatic lowering 89196.1
 Order no. 82096.2

TECHNICAL DRAWINGS / S 1 : 20



SET LAUFEN PRO S

Seat and cover

89196.0



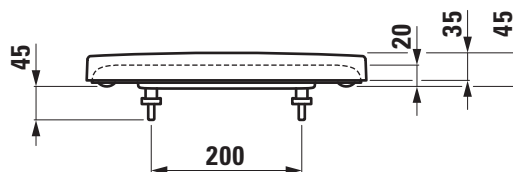
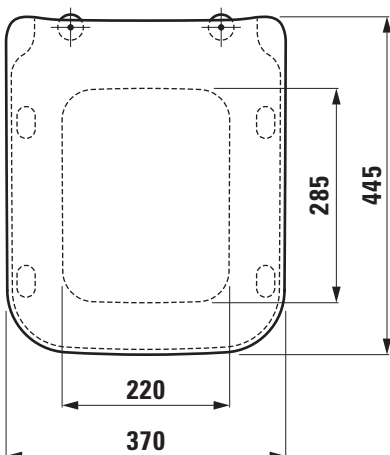
TECHNICAL DATA

Order no.	89196.0
matching for	Wallhung WC pan, order no. 82096.2
Specification	removable
Weight	2,5 kg
Mounting acc.	included
Colours	see colour table

SPECIFICATION TEXT

WC seat and cover LAUFEN PRO S, Duroplast
removable
matching wallhung WC pan, order no. 82096.1, 82096.2
Order no. 89196.0

TECHNICAL DRAWINGS / S 1 : 10



**Seat and cover with automatic lowering system
89196.1**



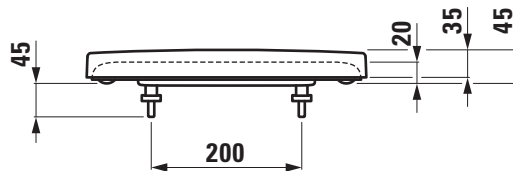
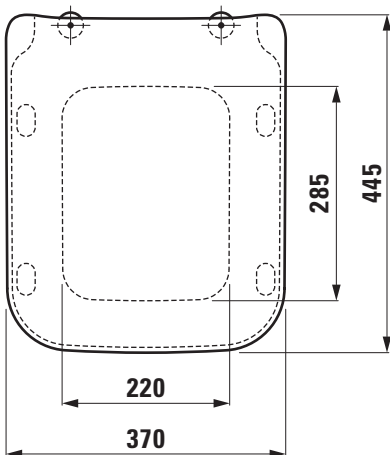
TECHNICAL DATA

Order no.	89196.1
matching for	Wallhung WC pan, order no. 82096.2
Specification	removable with automatic lowering system
Weight	2,5 kg
Mounting acc.	included
Colours	see colour table

SPECIFICATION TEXT

WC seat and cover LAUFEN PRO S, Duroplast
removable, automatic lowering system
matching wallhung WC pan, order no. 82096.2
Order no. 89196.1

TECHNICAL DRAWINGS / S 1 : 10



SET LAUFEN PRO S

Wallhung bidet

83096.1



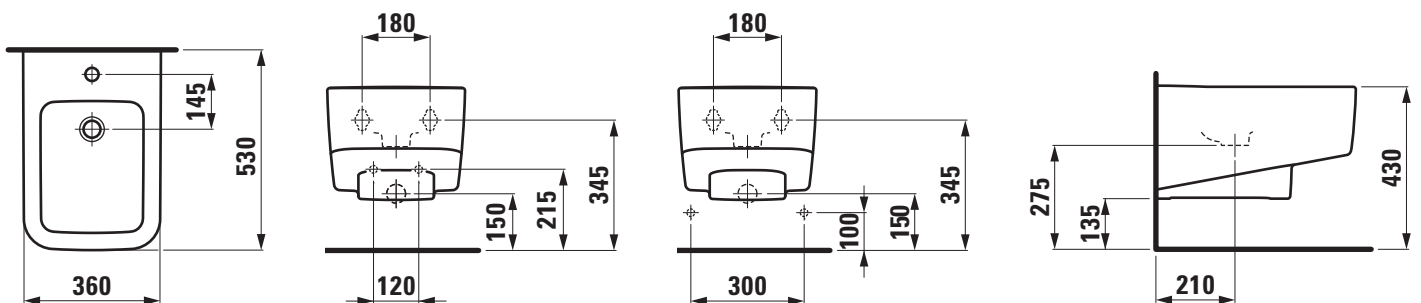
TECHNICAL DATA

Order no.	83096.1
Specification	Charge 302 – 1 centre tap hole without lateral holes Installation available with internal or external corner valves.
Weight	17,0 kg
Mounting acc. incl.	laufen EasyFit system M12, order no. 89282.7
Mounting acc. excl.	Stone screw fastening kit M12
Colours	see colour table

SPECIFICATION TEXT

Wallhung bidet LAUFEN PRO S, sanitary ceramic
dimensions 360 x 530 x 295 mm
1 centre tap hole
concealed trap, concealed fixation
Special feature: overflow channel glazed, vacuum checked, installation
available with internal or external corner valves
Further options: Surface refinement LCC (only white)
Order no. 83096.1

TECHNICAL DRAWINGS / S 1 : 20



SET LAUFEN PRO B

Washbasin 81095.1



TECHNICAL DATA

Order no.	81095.1
Certified to	EN 31
Dimensions	550 x 440 mm
Inside dimensions of the basin	455 x 270 mm
Specification	Charge 104 – 1 centre tap hole
Special specification	Charge 142 – without tap hole, without overflow and without open drain Charge 156 – 1 centre tap hole, without overflow and without open drain
Weight	13,2 kg
Accessories excl.	Siphon cover, order no. 81995.1 Pedestal, order no. 81995.0
Mounting acc. excl.	Mounting set M10 x 140 mm, order no. 89988.2
Colours	see colour table

SPECIFICATION TEXT

Washbasin LAUFEN PRO B, sanitary ceramic
EN 31

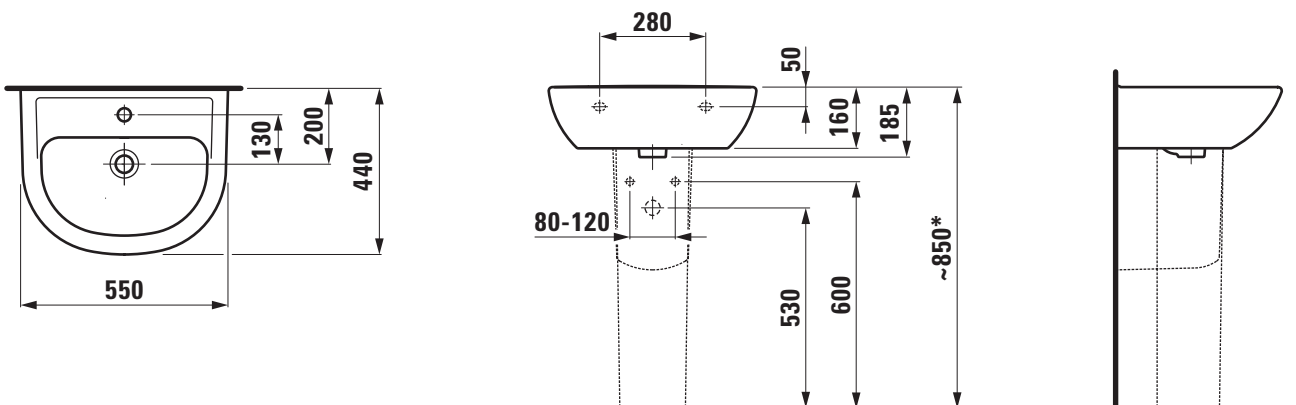
dimensions 550 x 440 mm, symmetric
1 centre tap hole

Special feature: overflow channel glazed

Further options / accessories: Surface refinement LCC (only white option 104), without tap hole/overflow and open drain (only white 000), 1 tap hole/without overflow and open drain (only white 000), siphon cover, pedestal, bathtubs, furniture

Order no. 81095.1

TECHNICAL DRAWINGS / S 1 : 20



* = Effective height must be fixed according to the height of the pedestal.

SET LAUFEN PRO B

Washbasin 81095.2



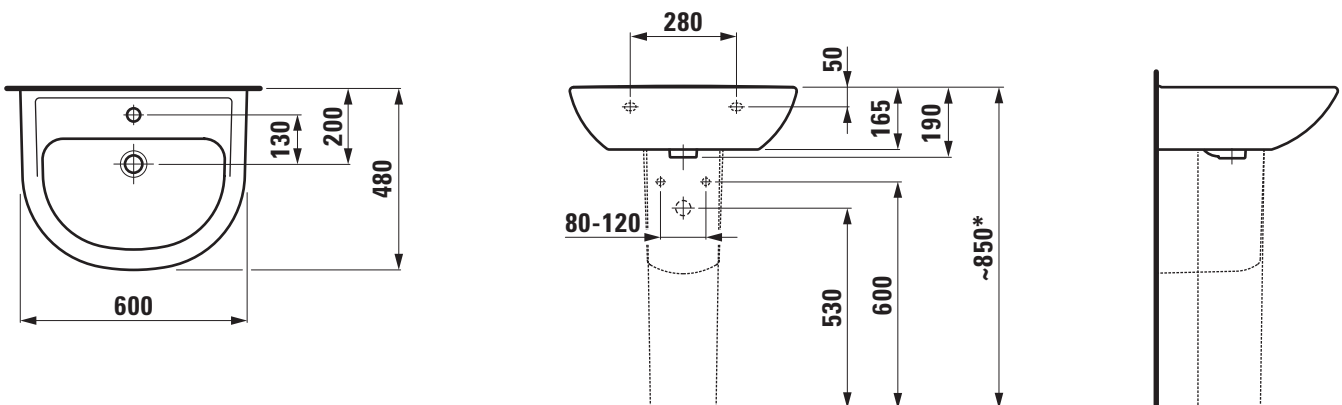
TECHNICAL DATA

Order no.	81095.2
Certified to	EN 31
Dimensions	600 x 480 mm
Inside dimensions of the basin	500 x 295 mm
Specification	Charge 104 – 1 centre tap hole
Special specification	Charge 142 – without tap hole, without overflow and without open drain Charge 156 – 1 centre tap hole, without overflow and without open drain
Weight	15,2 kg
Accessories excl.	Siphon cover, order no. 81995.1 Pedestal, order no. 81995.0
Mounting acc. excl.	Mounting set M10 x 140 mm, order no. 89988.2
Colours	see colour table

SPECIFICATION TEXT

Washbasin LAUFEN PRO B, sanitary ceramic
EN 31
dimensions 600 x 480 mm, symmetric
1 centre tap hole
Special feature: overflow channel glazed
Further options / accessories: Surface refinement LCC (only white option 104), without tap hole/overflow and open drain (only white 000), 1 tap hole/without overflow and open drain (only white 000), siphon cover, pedestal, bathtubs, furniture
Order no. 81095.2

TECHNICAL DRAWINGS / S 1 : 20



* = Effective height must be fixed according to the height of the pedestal.

SET LAUFEN PRO B

Washbasin 81095.3



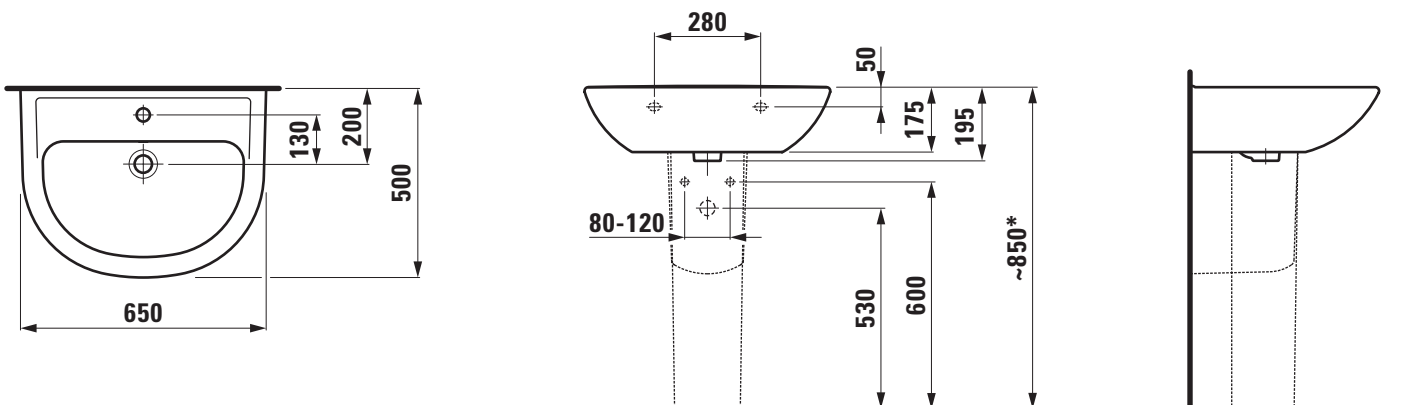
TECHNICAL DATA

Order no.	81095.3
Certified to	EN 31
Dimensions	650 x 500 mm
Inside dimensions of the basin	540 x 320 mm
Specification	Charge 104 – 1 centre tap hole
Special specification	Charge 142 – without tap hole, without overflow and without open drain Charge 156 – 1 centre tap hole, without overflow and without open drain
Weight	16,6 kg
Accessories excl.	Siphon cover, order no. 81995.1 Pedestal, order no. 81995.0
Mounting acc. excl.	Mounting set M10 x 140 mm, order no. 89988.2
Colours	see colour table

SPECIFICATION TEXT

Washbasin LAUFEN PRO B, sanitary ceramic
EN 31
dimensions 650 x 500 mm, symmetric
1 centre tap hole
Special feature: overflow channel glazed
Further options / accessories: Surface refinement LCC (only white option 104), without tap hole/overflow and open drain (only white 000), 1 tap hole/without overflow and open drain (only white 000), siphon cover, pedestal, bathtubs, furniture
Order no. 81095.3

TECHNICAL DRAWINGS / S 1 : 20



* = Effective height must be fixed according to the height of the pedestal.

SET LAUFEN PRO B

Washbasin Compact

81495.1



TECHNICAL DATA

Order no.	81495.1
Certified to	EN 31
Dimensions	550 x 400 mm
Inside dimensions of the basin	445 x 240 mm
Specification	Charge 104 – 1 centre tap hole
Weight	11,8 kg
Accessories excl.	Siphon cover, order no. 81995.1 Pedestal, order no. 81995.0
Mounting acc. excl.	Mounting set M10 x 140 mm, order no. 89988.2
Colours	see colour table

SPECIFICATION TEXT

Washbasin Compact LAUFEN PRO B, sanitary ceramic
EN 31

dimensions 550 x 400 mm, symmetric

1 centre tap hole

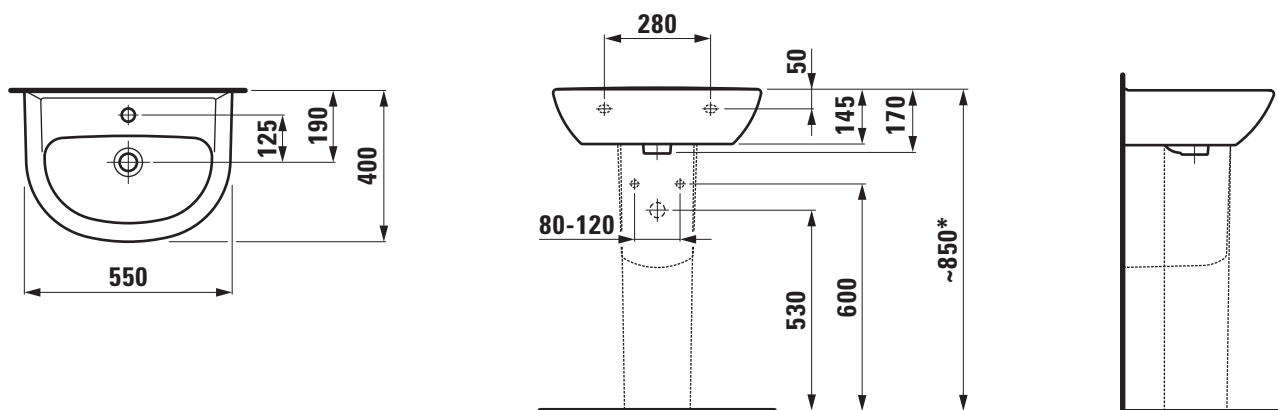
Special feature: overflow channel glazed

Further options / accessories: Surface refinement LCC (only white),

siphon cover, pedestal, bathtubs, furniture

Order no. 81495.1

TECHNICAL DRAWINGS / S 1 : 20



* = Effective height must be fixed according to the height of the pedestal.

SET LAUFEN PRO B

Washbasin Compact

81495.2



TECHNICAL DATA

Order no.	81495.2
Certified to	EN 31
Dimensions	600 x 420 mm
Inside dimensions of the basin	505 x 255 mm
Specification	Charge 104 – 1 centre tap hole
Weight	12,1 kg
Accessories excl.	Siphon cover, order no. 81995.1 Pedestal, order no. 81995.0
Mounting acc. excl.	Mounting set M10 x 140 mm, order no. 89988.2
Colours	see colour table

SPECIFICATION TEXT

Washbasin Compact LAUFEN PRO B, sanitary ceramic
EN 31

dimensions 600 x 420 mm, symmetric

1 centre tap hole

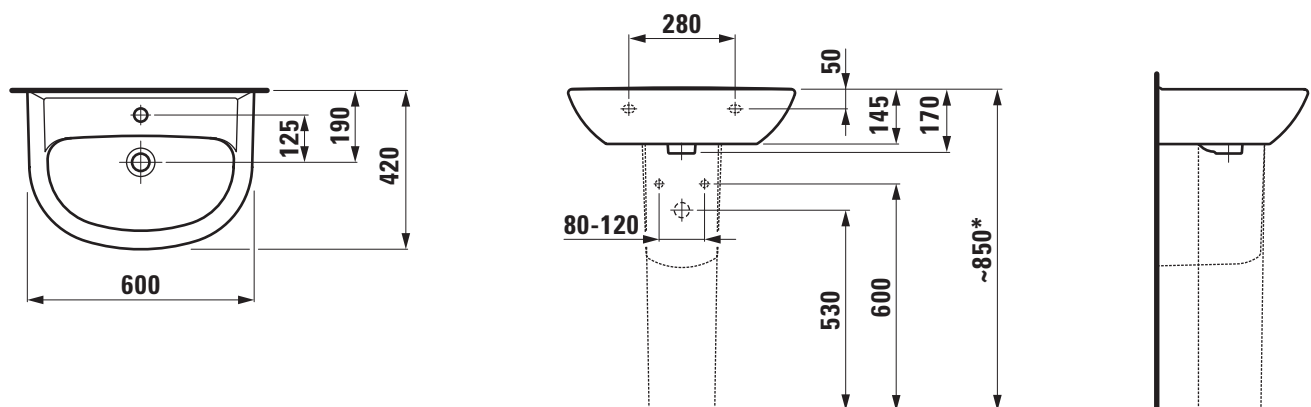
Special feature: overflow channel glazed

Further options / accessories: Surface refinement LCC (only white),

siphon cover, pedestal, bathtubs, furniture

Order no. 81495.2

TECHNICAL DRAWINGS / S 1 : 20



* = Effective height must be fixed according to the height of the pedestal.

SET LAUFEN PRO B
Built in basin not grinded
81896.1



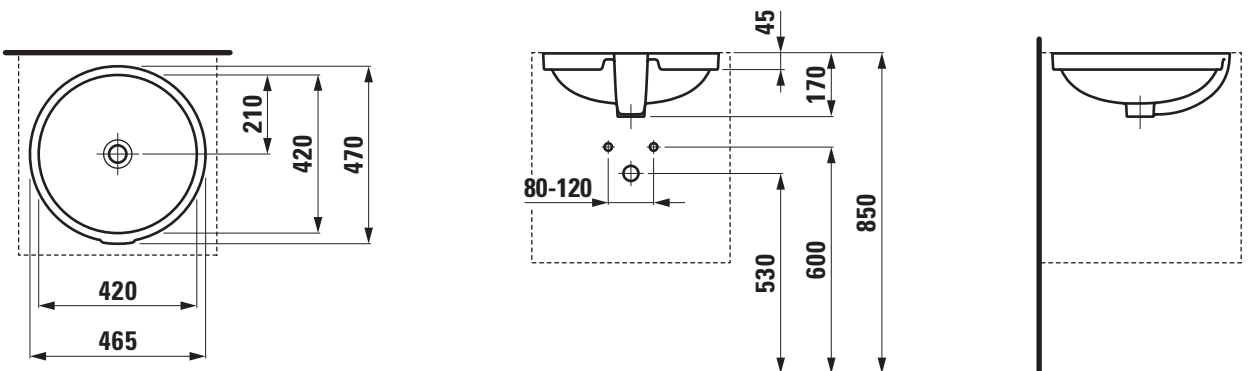
TECHNICAL DATA

Order no.	81896.1
Certified to	EN 31
Dimensions	465 x 470 mm
Inside dimensions of the basin	420 x 420 mm
Specification	Charge 109 – without tap hole
Weight	9,5 kg
Mounting acc. incl.	Template, order no. 89696.0 Mounting set, order no. 89296.3
Colours	see colour table

SPECIFICATION TEXT

Built in basin not grinded LAUFEN PRO B, sanitary ceramic EN 31 dimensions 465 x 470 mm, inside dimensions of the basin 420 x 420 mm, round without tap hole, overflow in front
 Special feature: overflow channel glazed
 Further options / accessories: Surface refinement LCC (only white), bathtubs, furniture
 Order no. 81896.1

TECHNICAL DRAWINGS / S 1 : 20



SET LAUFEN PRO B
Built in basin grinded
81896.2



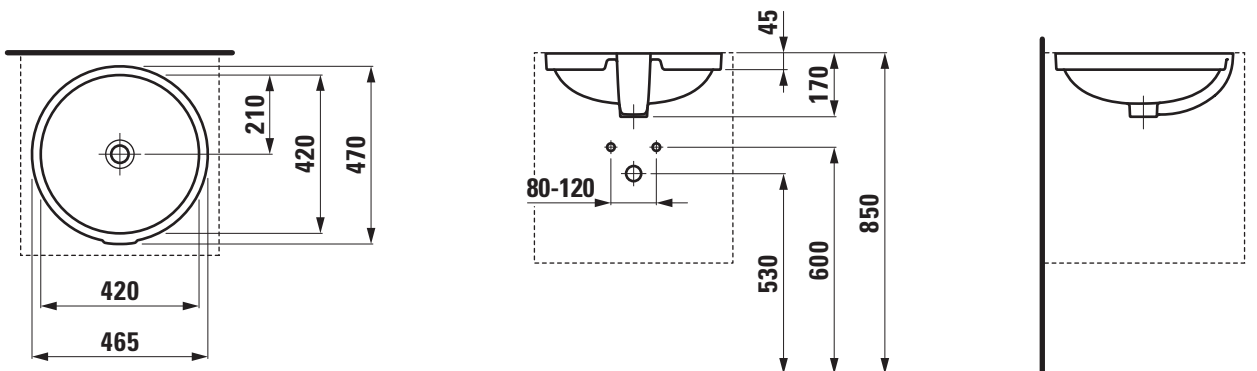
TECHNICAL DATA

Order no.	81896.2
Certified to	EN 31
Dimensions	465 x 470 mm
Inside dimensions of the basin	420 x 420 mm
Specification	Charge 109 – without tap hole
Weight	9,5 kg
Mounting acc. incl.	Template, order no. 89696.0 Mounting set, order no. 89296.3
Colours	see colour table

SPECIFICATION TEXT

Built in basin grinded LAUFEN PRO B, sanitary ceramic EN 31 dimensions 465 x 470 mm, inside dimensions of the basin 420 x 420 mm, round without tap hole, overflow in front
 Special feature: overflow channel glazed
 Further options / accessories: Surface refinement LCC (only white), bathtubs, furniture
 Order no. 81896.2

TECHNICAL DRAWINGS / S 1 : 20



SET LAUFEN PRO B

Drop in basin 81395.1



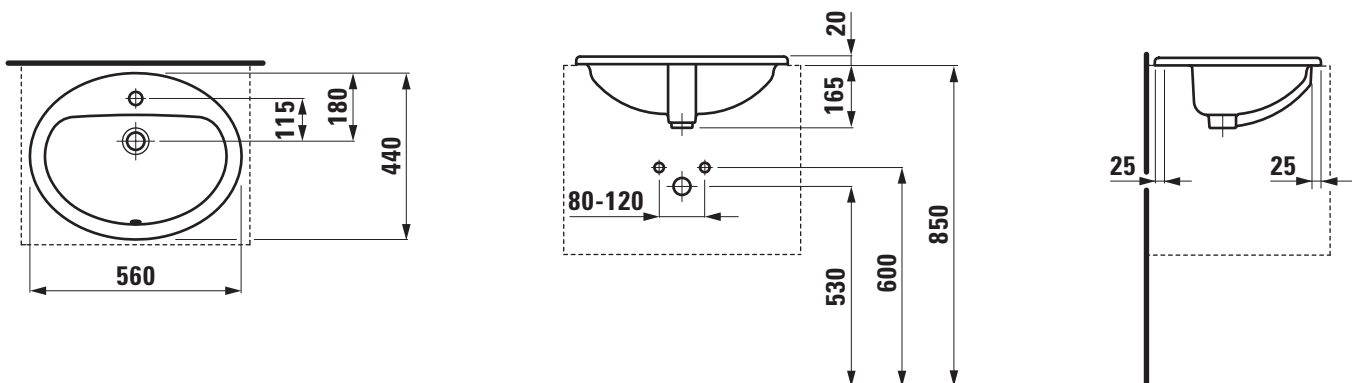
TECHNICAL DATA

Order no.	81395.1
Dimensions	560 x 440 mm
Inside dimensions of the basin	470 x 290 mm
Specification	Charge 104 – 1 centre tap hole
Weight	7,6 kg
Mounting acc. incl.	Template, order no. 89395.1
Mounting acc. excl.	Silicon caoutchouc
Colours	see colour table

SPECIFICATION TEXT

Drop in basin LAUFEN PRO B, sanitary ceramic
dimensions 560 x 440 mm, oval
1 centre tap hole, overflow in front
Special feature: overflow channel glazed
Further options / accessories: Surface refinement LCC (only white),
bathtubs, shower trays, furniture, faucets
Order no. 81395.1

TECHNICAL DRAWINGS / S 1 : 20



SET LAUFEN PRO B
Semi recessed basin
81295.1



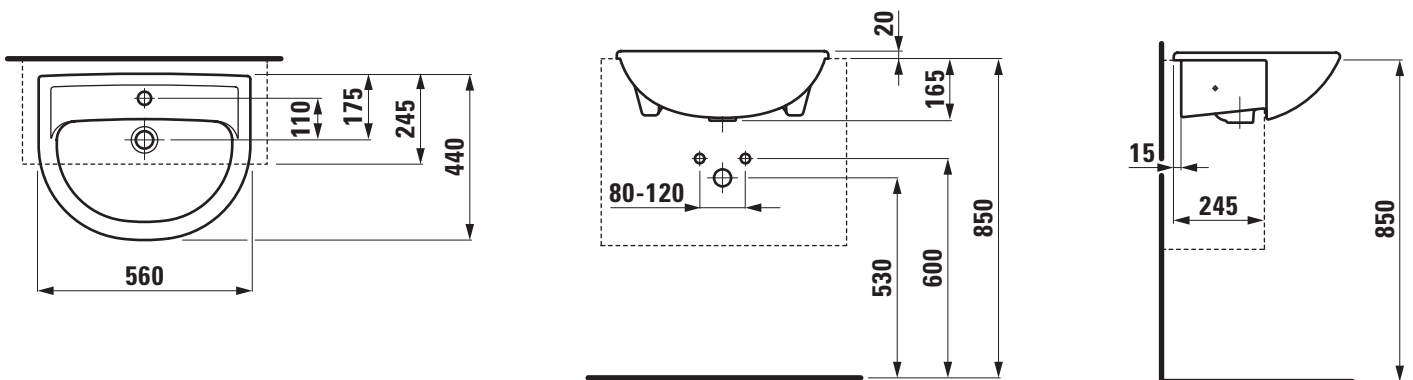
TECHNICAL DATA

Order no.	81295.1
Dimensions	560 x 440 mm
Inside dimensions of the basin	470 x 280 mm
Specification	Charge 104 – 1 centre tap hole
Special specification	Charge 109 – without tap hole
Weight	10,6 kg
Mounting acc. incl.	Template, order no. 89295.2 Mounting set, order no. 89909.0
Colours	see colour table

SPECIFICATION TEXT

Semi recessed basin LAUFEN PRO B, sanitary ceramic dimensions 560 x 440 mm, symmetric
 1 centre tap hole
 Special feature: overflow channel glazed
 Further options / accessories: Surface refinement LCC (only white), without tap hole, bathtubs, furniture
 Order no. 81295.1

TECHNICAL DRAWINGS / S 1 : 20



SET LAUFEN PRO B

Washbasin bowl

81296.2



TECHNICAL DATA

Order no.	81296.2
Certified to	EN 14688
Dimensions	420 x 420 mm
Specification	Charge 109 – without tap holes
Special specification	Charge 142 – without tap hole without overflow and without open drain
Weight	8,5 kg
Mounting acc. incl.	Template, order no. 89296.9 Fixing set, order no. 89496.1
Colours	see colour table

SPECIFICATION TEXT

Washbasin bowl LAUFEN PRO B, sanitary ceramic

EN 14688

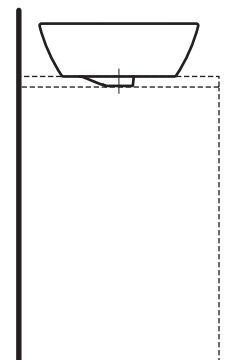
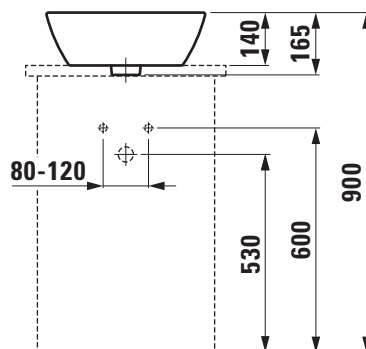
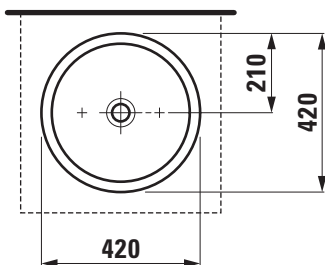
dimensions 420 x 420 mm, round

without tap hole

Special feature: overflow channel glazed

Further options: Surface refinement LCC (only white option 109), without tap holes, overflow and open drain (only white 000), bathtubs, furniture
Order no. 81296.2

TECHNICAL DRAWINGS / S 1 : 20



SET LAUFEN PRO B

Washbasin bowl

81296.4



TECHNICAL DATA

Order no.	81296.4
Certified to	EN 14688
Dimensions	520 x 390 mm
Specification	Charge 109 – without tap holes
Special specification	Charge 142 – without tap hole without overflow and without open drain
Weight	11,5 kg
Mounting acc. incl.	Template, order no. 89296.8 Fixing set, order no. 89496.1
Colours	see colour table

SPECIFICATION TEXT

Washbasin bowl LAUFEN PRO B, sanitary ceramic

EN 14688

dimensions 520 x 390 mm, oval

without tap hole

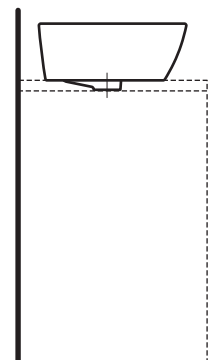
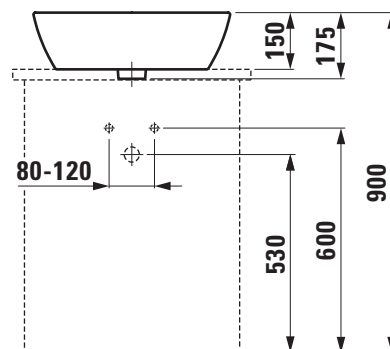
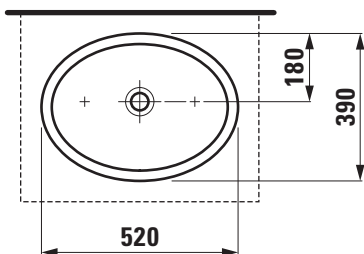
Special feature: overflow channel glazed

Further options: Surface refinement LCC (only white option 109), without

tap holes, overflow and open drain (only white 000), bathtubs, furniture

Order no. 81296.4

TECHNICAL DRAWINGS / S 1 : 20



SET LAUFEN PRO B

Small washbasin

81695.7



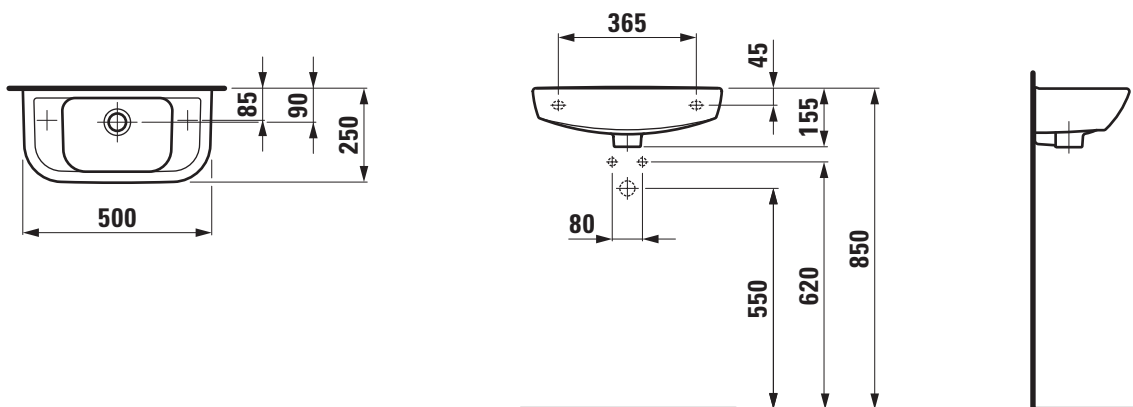
TECHNICAL DATA

Order no.	81695.7
Certified to	EN 31
Dimensions	500 x 250 mm
Inside dimensions of the basin	290 x 190 mm
Specification	Charge 105 – 1 tap hole left Charge 106 – 1 tap hole right
Weight	6,7 kg
Mounting acc. excl.	Mounting set M10 x 140 mm, order no. 89988.2
Colours	see colour table

SPECIFICATION TEXT

Small washbasin LAUFEN PRO B, sanitary ceramic
EN 31
dimensions 500 x 250 mm, symmetric
1 tap hole left or right
Special feature: overflow channel glazed
Further options / accessories: Surface refinement LCC (only white),
furniture
Order no. 81695.7

TECHNICAL DRAWINGS / S 1 : 20



SET LAUFEN PRO B

Small washbasin

81595.0



TECHNICAL DATA

Order no.	81595.0
Certified to	EN 31
Dimensions	350 x 310 mm
Inside dimensions of the basin	270 x 180 mm
Specification	Charge 104 – 1 centre tap hole overflow right
Weight	6,0 kg
Mounting acc. excl.	Mounting set M10 x 140 mm, order no. 89988.2
Colours	see colour table

SPECIFICATION TEXT

Small washbasin LAUFEN PRO B, sanitary ceramic
EN 31

dimensions 350 x 310 mm, symmetric

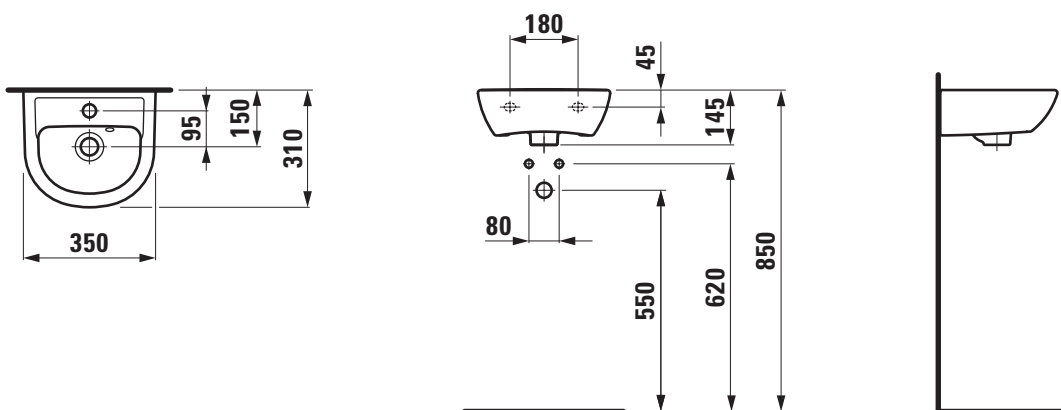
1 centre tap hole, overflow right

Special feature: overflow channel glazed

Further options / accessories: Surface refinement LCC (only white),
furniture

Order no. 81595.0

TECHNICAL DRAWINGS / S 1 : 20



SET LAUFEN PRO B

Small washbasin

81595.1



TECHNICAL DATA

Order no.	81595.1
Certified to	EN 31
Dimensions	400 x 320 mm
Inside dimensions of the basin	310 x 180 mm
Specification	Charge 104 – 1 centre tap hole overflow right
Weight	6,8 kg
Mounting acc. excl.	Mounting set M10 x 140 mm, order no. 89988.2
Colours	see colour table

SPECIFICATION TEXT

Small washbasin LAUFEN PRO B, sanitary ceramic
EN 31

dimensions 400 x 320 mm, symmetric

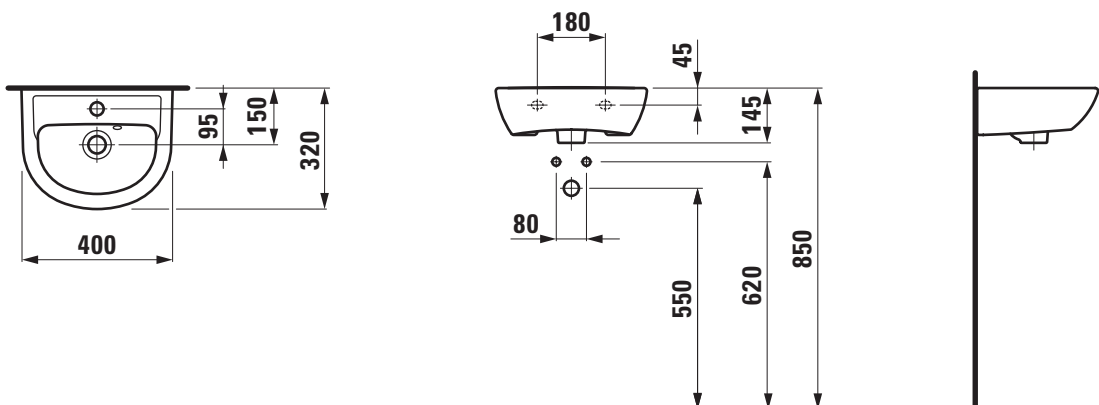
1 centre tap hole, overflow right

Special feature: overflow channel glazed

Further options / accessories: Surface refinement LCC (only white),
furniture

Order no. 81595.1

TECHNICAL DRAWINGS / S 1 : 20



SET LAUFEN PRO B

Small washbasin

81595.2



TECHNICAL DATA

Order no.	81595.2
Certified to	EN 31
Dimensions	450 x 330 mm
Inside dimensions of the basin	360 x 180 mm
Specification	Charge 104 – 1 centre tap hole
Special specification	Charge 142 – without tap hole, without overflow and without open drain Charge 156 – 1 centre tap hole, without overflow and without open drain
Weight	7,6 kg
Accessories excl.	Siphon cover, order no. 81995.2
Mounting acc. excl.	Mounting set M10 x 140 mm, order no. 89988.2
Colours	see colour table

SPECIFICATION TEXT

Small washbasin LAUFEN PRO B, sanitary ceramic EN 31

dimensions 450 x 330 mm, symmetric

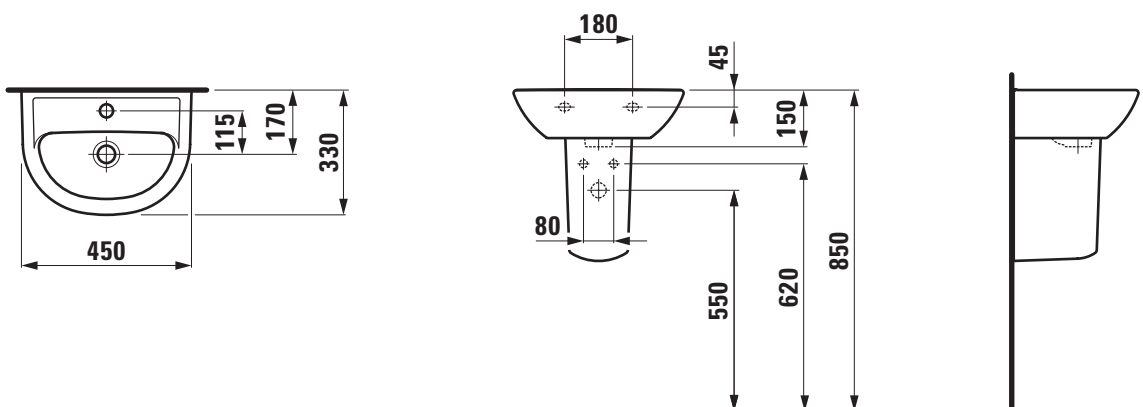
1 centre tap hole

Special feature: overflow channel glazed

Further options / accessories: Surface refinement LCC (only white option 104), without tap hole/overflow and open drain (only white 000), 1 tap hole/without overflow and open drain (only white 000), siphon cover, furniture

Order no. 81595.2

TECHNICAL DRAWINGS / S 1 : 20



SET LAUFEN PRO B

Small washbasin

81595.3



TECHNICAL DATA

Order no.	81595.3
Certified to	EN 31
Dimensions	500 x 360 mm
Inside dimensions of the basin	410 x 205 mm
Specification	Charge 104 – 1 centre tap hole
Weight	8,8 kg
Accessories excl.	Siphon cover, order no. 81995.2
Mounting acc. excl.	Mounting set M10 x 140 mm, order no. 89988.2
Colours	see colour table

SPECIFICATION TEXT

Small washbasin LAUFEN PRO B, sanitary ceramic
EN 31

dimensions 500 x 360 mm, symmetric

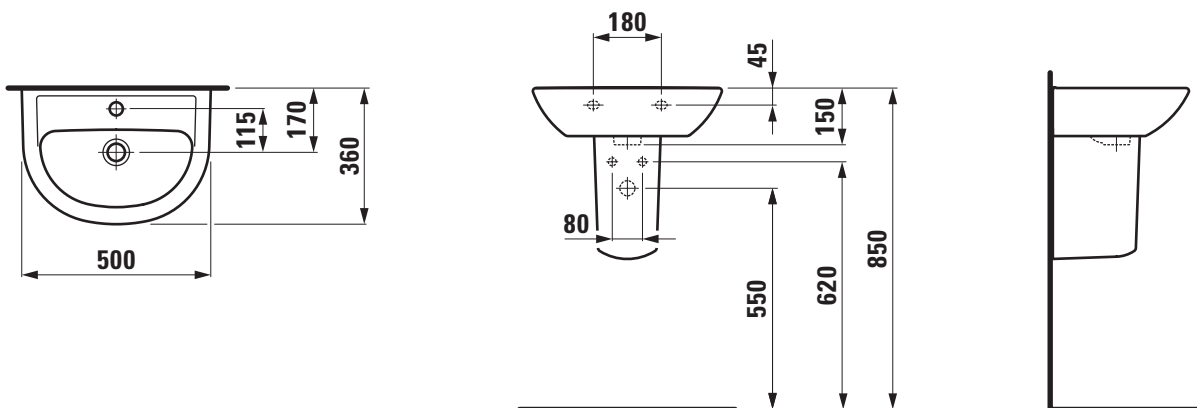
1 centre tap hole

Special feature: overflow channel glazed

Further options / accessories: Surface refinement LCC (only white),
siphon cover, furniture

Order no. 81595.3

TECHNICAL DRAWINGS / S 1 : 20



SET LAUFEN PRO B

Small washbasin for corner

81695.8



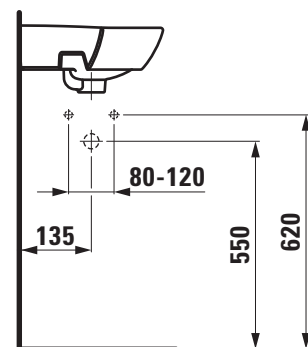
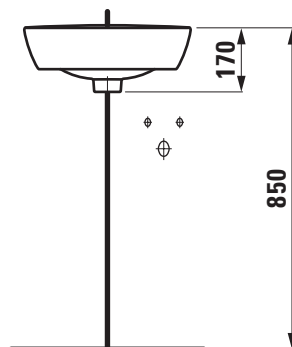
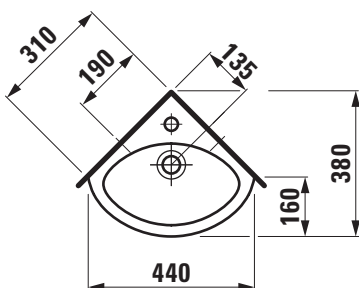
TECHNICAL DATA

Order no.	81695.8
Certified to	EN 31
Dimensions	440 x 380 mm
Inside dimensions of the basin	360 x 215 mm
Specification	Charge 104 – 1 centre tap hole
Weight	7,0 kg
Mounting acc. incl.	Fixing set, order no. 89840.0
Mounting acc. excl.	Mounting set M10 x 140 mm, order no. 89988.2
Colours	see colour table

SPECIFICATION TEXT

Small washbasin for corner LAUFEN PRO B, sanitary ceramic EN 31
 dimensions 440 x 380 mm, symmetric
 1 centre tap hole
 Special feature: overflow channel glazed
 Further options / accessories: Surface refinement LCC (only white), furniture
 Order no. 81695.8

TECHNICAL DRAWINGS / S 1 : 20



SET LAUFEN PRO A

Countertop basin

81895.2



TECHNICAL DATA

Order no.	81895.2
Certified to	EN 31
Dimensions	600 x 480 mm
Specification	Charge 104 – 1 centre tap hole
Special specification	Charge 109 – without tap hole
Weight	17,0 kg
Accessories excl.	Siphon cover, order no. 81995.1 Pedestal, order no. 81995.0
Mounting acc. excl.	Mounting set M10 x 140 mm, order no. 89988.2
Colours	see colour table

SPECIFICATION TEXT

Countertop basin LAUFEN PRO A, sanitary ceramic
EN 31

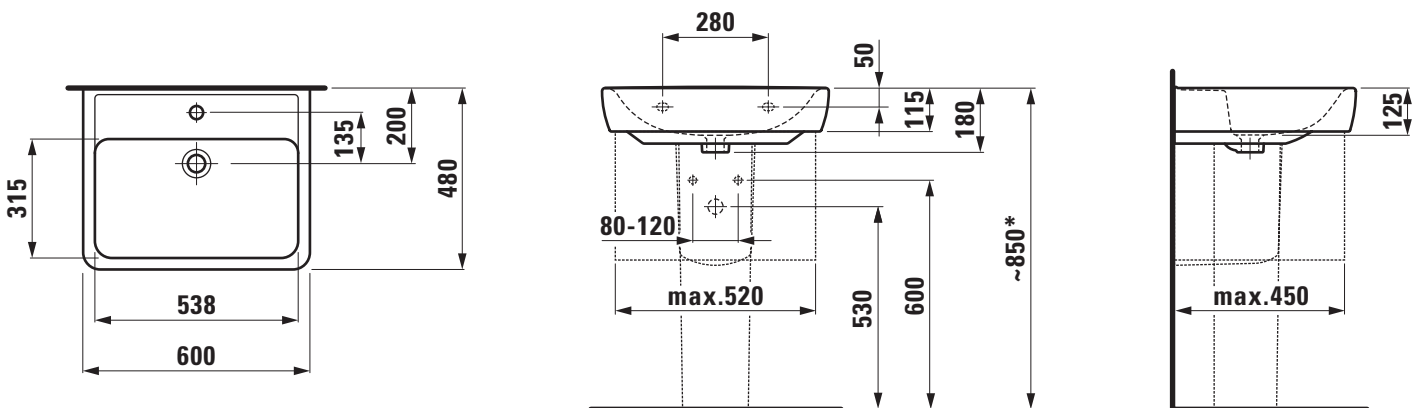
dimensions 600 x 480 mm, angular
1 centre tap hole

Special feature: overflow channel glazed

Further options / accessories: Surface refinement LCC (only white option 104), without tap holes (only white 000), siphon cover, pedestal, bathtubs, furniture

Order no. 81895.2

TECHNICAL DRAWINGS / S 1 : 20



* = Effective height must be fixed according to the height of the pedestal.

SET LAUFEN PRO A

Countertop basin

81895.3



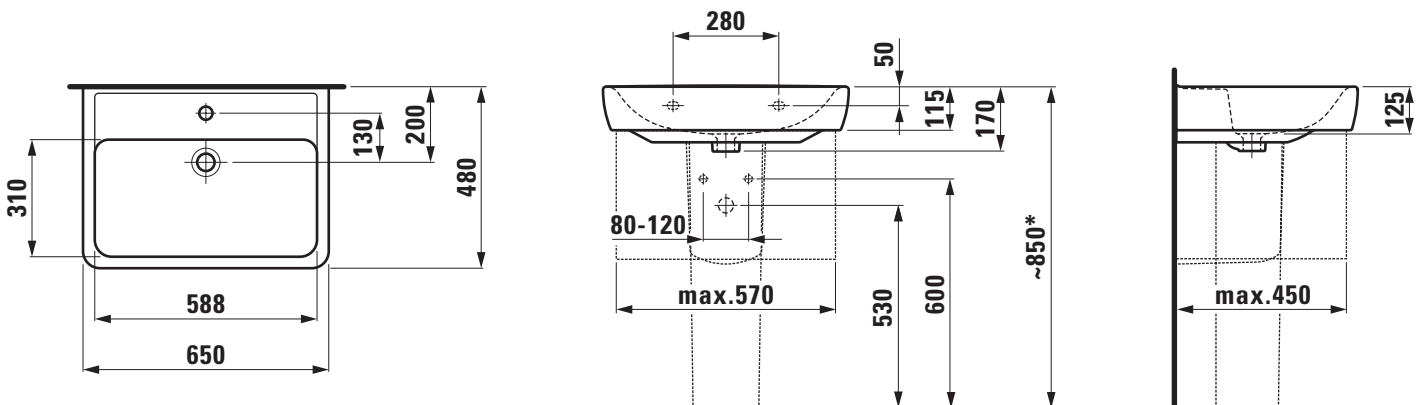
TECHNICAL DATA

Order no.	81895.3
Certified to	EN 31
Dimensions	650 x 480 mm
Specification	Charge 104 – 1 centre tap hole
Special specification	Charge 109 – without tap hole
Weight	20,0 kg
Accessories excl.	Siphon cover, order no. 81995.1 Pedestal, order no. 81995.0
Mounting acc. excl.	Mounting set M10 x 140 mm, order no. 89988.2
Colours	see colour table

SPECIFICATION TEXT

Countertop basin LAUFEN PRO A, sanitary ceramic
EN 31
dimensions 650 x 480 mm, angular
1 centre tap hole
Special feature: overflow channel glazed
Further options / accessories: Surface refinement LCC (only white option 104), without tap holes (only white 000), siphon cover, pedestal, bathtubs, furniture
Order no. 81895.3

TECHNICAL DRAWINGS / S 1 : 20



* = Effective height must be fixed according to the height of the pedestal.

SET LAUFEN PRO A

Countertop basin

81395.6



TECHNICAL DATA

Order no.	81395.6
Certified to	EN 31
Dimensions	850 x 480 mm
Inside dimensions of the basin	570 x 310 mm
Specification	Charge 104 – 1 centre tap hole
Weight	23,5 kg
Accessories excl.	Siphon cover, order no. 81995.1 Pedestal, order no. 81995.0 Washbasin base, order no. 89095.6
Mounting acc. excl.	Mounting set M10 x 140 mm, order no. 89988.2
Colours	see colour table

SPECIFICATION TEXT

Countertop basin LAUFEN PRO A, sanitary ceramic
EN 31

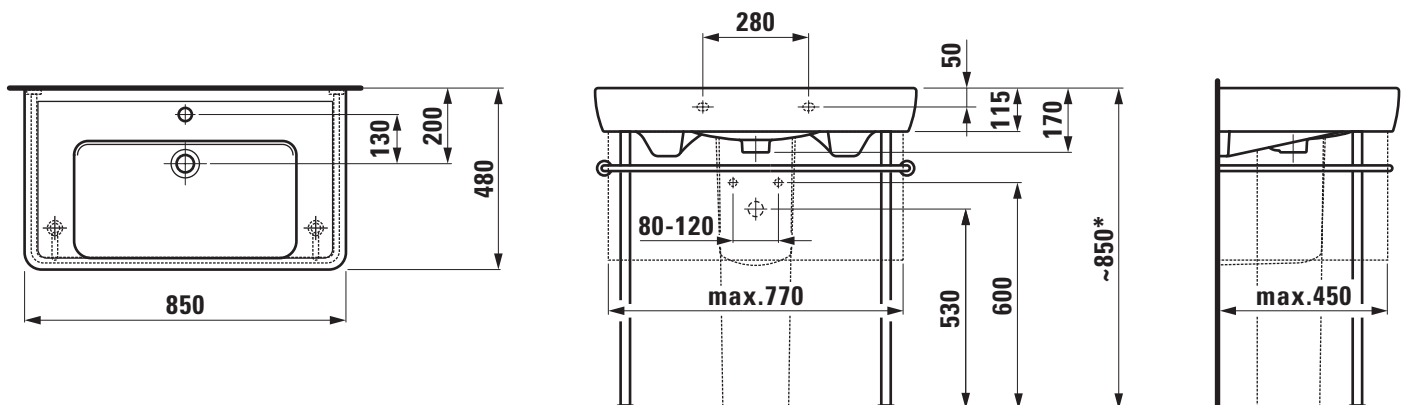
dimensions 850 x 480 mm, angular

1 centre tap hole

Special feature: overflow channel glazed

Further options / accessories: Surface refinement LCC (only white),
siphon cover, pedestal, washbasin base, bathtubs, furniture
Order no. 81395.6

TECHNICAL DRAWINGS / S 1 : 20



* = Effective height must be fixed according to the height of the pedestal.

SET LAUFEN PRO A

Countertop basin

81395.8



TECHNICAL DATA

Order no.	81395.8
Certified to	EN 31
Dimensions	1050 x 480 mm
Inside dimensions of the basin	590 x 310 mm
Specification	Charge 104 – 1 centre tap hole
Weight	28,0 kg
Accessories excl.	Siphon cover, order no. 81995.1 Pedestal, order no. 81995.0 Washbasin base, order no. 89095.8
Mounting acc. excl.	Mounting set M10 x 140 mm, order no. 89988.2
Colours	see colour table

SPECIFICATION TEXT

Countertop basin LAUFEN PRO A, sanitary ceramic
EN 31

dimensions 1050 x 480 mm, angular

1 centre tap hole

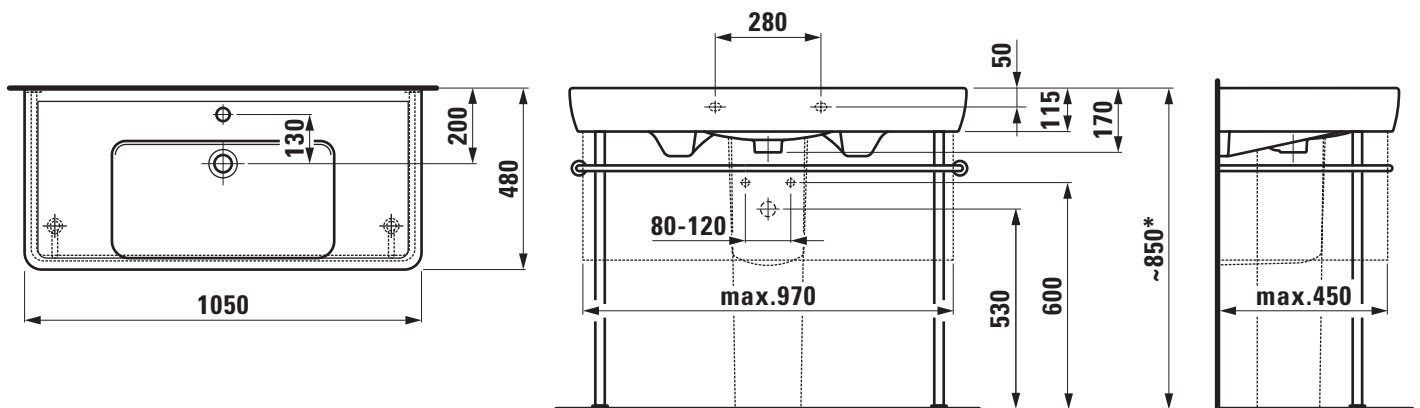
Special feature: overflow channel glazed, integrated shelves

Further options / accessories: Surface refinement LCC (only white),

siphon cover, pedestal, washbasin base, bathtubs, furniture

Order no. 81395.8

TECHNICAL DRAWINGS / S 1 : 20



* = Effective height must be fixed according to the height of the pedestal.

SET LAUFEN PRO A

Double countertop basin

81496.7



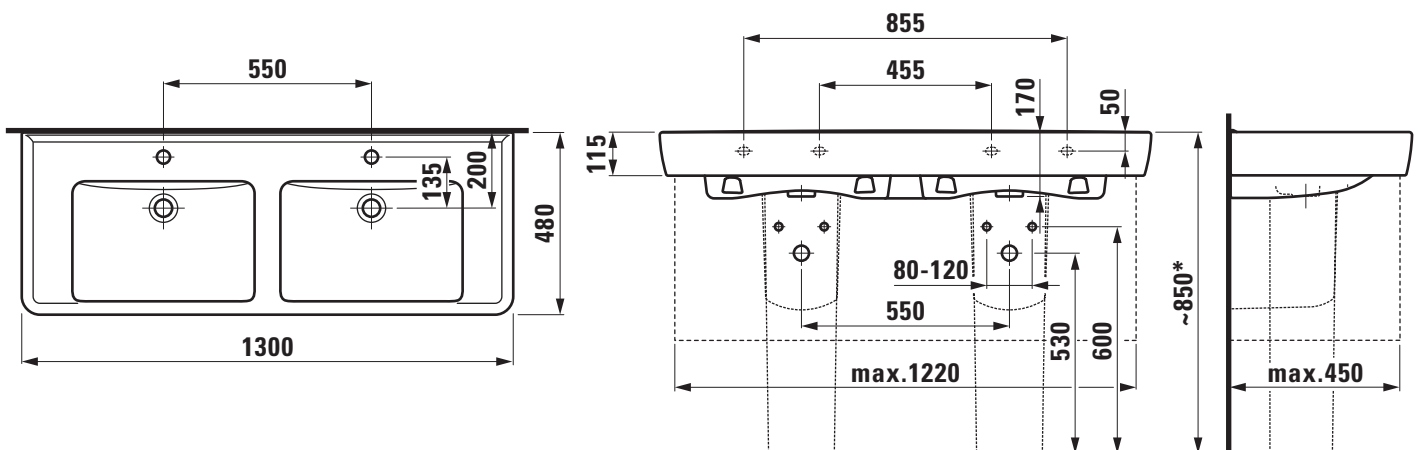
TECHNICAL DATA

Order no.	81496.7
Certified to	EN 31
Dimensions	1300 x 480 mm
Inside dimensions of the basin	per basin 470 x 310 mm
Specification	Charge 104 – per basin 1 centre tap hole per basin 1 overflow
Weight	42,0 kg
Accessories excl.	Siphon cover, order no. 81995.1 Pedestal, order no. 81995.0
Mounting acc. excl.	2x Mounting set M10 x 140 mm, order no. 89988.2
Colours	see colour table

SPECIFICATION TEXT

Double countertop basin LAUFEN PRO A, sanitary ceramic EN 31
 dimensions 1300 x 480 mm, angular
 per basin 1 centre tap hole and overflow
 Special feature: overflow channel glazed
 Further options / accessories: Surface refinement LCC (only white),
 siphon cover, pedestal, bathtubs, furniture
 Order no. 81496.7

TECHNICAL DRAWINGS / S 1 : 20



* = Effective height must be fixed according to the height of the pedestal.

SET LAUFEN PRO B

Siphon cover 81995.1



TECHNICAL DATA

Order no.	81995.1
matching for	Washbasin, order no. 81095.1, 81095.2, 81095.3, 81395.6, 81395.8, 81496.7, 81895.1, 81895.2, 81895.3 Washbasin Compact, order no. 81495.1, 81495.2, 81895.8, 81895.9
Weight	6,8 kg
Mounting acc. incl.	Device for fixing, order no. 89001.5
Colours	see colour table

SPECIFICATION TEXT

Siphon cover LAUFEN PRO B, sanitary ceramic
matching washbasin order no. 81095.1, 81095.2, 81095.3, 81395.6,
81395.8, 81496.7, 81895.1, 81895.2, 81895.3
matching washbasin Compact, order no. 81495.1, 81495.2, 81895.8,
81895.9
Order no. 81995.1

SET LAUFEN PRO B

Pedestal 81995.0



TECHNICAL DATA

Order no.	81995.0
matching for	Washbasin, order no. 81095.1, 81095.2, 81095.3, 81395.6, 81395.8, 81496.7, 81895.1, 81895.2, 81895.3 Washbasin Compact, order no. 81495.1, 81495.2, 81895.8, 81895.9
Weight	12,1 kg
Colours	see colour table

SPECIFICATION TEXT

Pedestal LAUFEN PRO B, sanitary ceramic
matching washbasin order no. 81095.1, 81095.2, 81095.3, 81395.6,
81395.8, 81496.7, 81895.1, 81895.2, 81895.3
matching washbasin Compact, order no. 81495.1, 81495.2, 81895.8,
81895.9
Order no. 81995.0

SET LAUFEN PRO A

Washbasin undersurface ground

81195.2



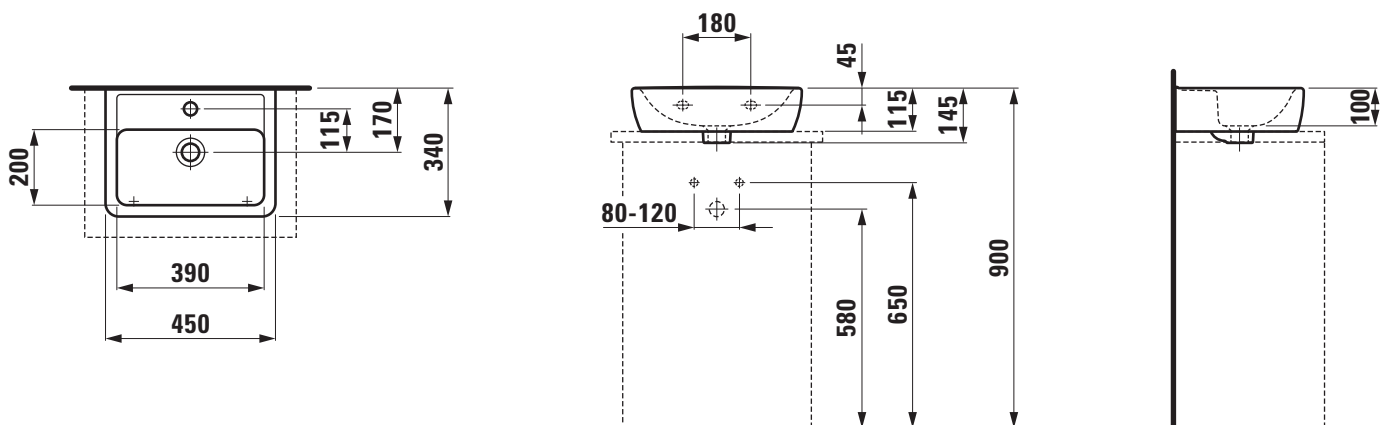
TECHNICAL DATA

Order no.	81195.2
Certified to	EN 31
Dimensions	450 x 340 mm
Specification	Always to be fixed to the wall. Charge 104 – 1 centre tap hole
Weight	9,0 kg
Mounting acc. incl.	Template, order no. 89295.9 Fixing set, order no. 89194.0
Mounting acc. excl.	Mounting set M10 x 140 mm, order no. 89988.2
Colours	see colour table

SPECIFICATION TEXT

Washbasin undersurface ground LAUFEN PRO A, sanitary ceramic EN 31
 dimensions 450 x 340 mm, angular
 1 centre tap hole
 Special feature: overflow channel glazed
 Further options / accessories: Surface refinement LCC (only white),
 bathtubs, furniture
 Order no. 81195.2

TECHNICAL DRAWINGS / S 1 : 20



SET LAUFEN PRO A

Washbasin undersurface ground 81795.1



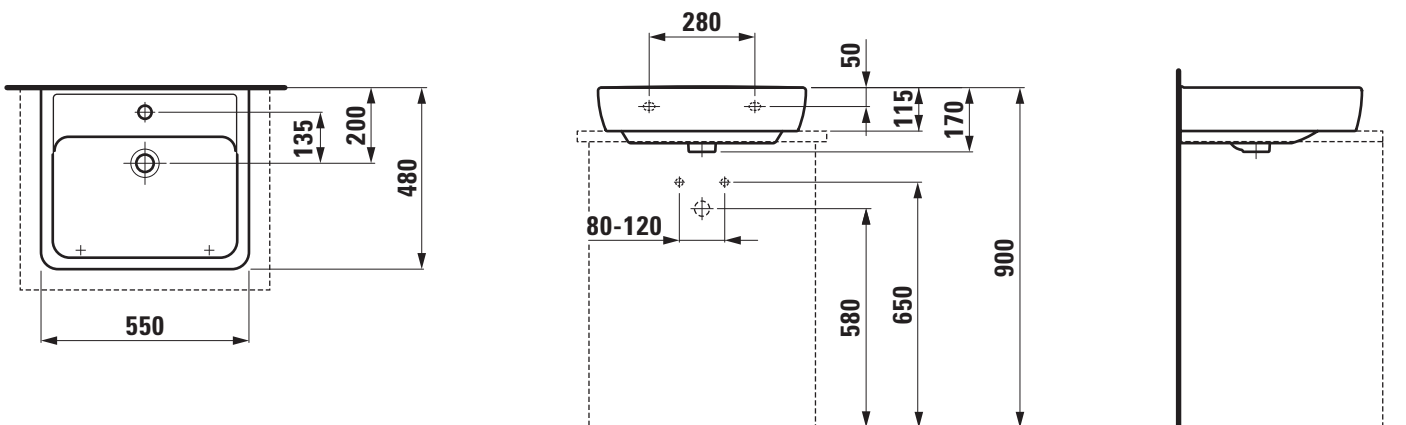
TECHNICAL DATA

Order no.	81795.1
Certified to	EN 31
Dimensions	550 x 480 mm
Specification	Always to be fixed to the wall. Charge 104 – 1 centre tap hole
Weight	15,5 kg
Mounting acc. incl.	Template, order no. 89295.6 Fixing set, order no. 89194.0
Mounting acc. excl.	Mounting set M10 x 140 mm, order no. 89988.2
Colours	see colour table

SPECIFICATION TEXT

Washbasin undersurface ground LAUFEN PRO A, sanitary ceramic
EN 31
dimensions 550 x 480 mm, angular
1 centre tap hole
Special feature: overflow channel glazed
Further options / accessories: Surface refinement LCC (only white),
bathtubs, furniture
Order no. 81795.1

TECHNICAL DRAWINGS / S 1 : 20



SET LAUFEN PRO A

Washbasin undersurface ground 81795.2



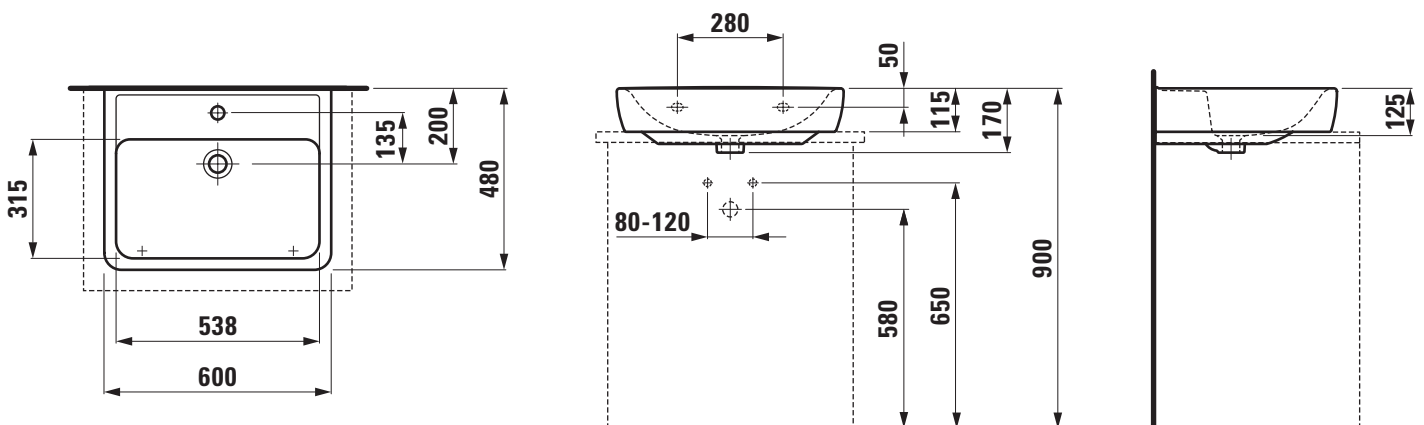
TECHNICAL DATA

Order no.	81795.2
Certified to	EN 31
Dimensions	600 x 480 mm
Specification	Always to be fixed to the wall. Charge 104 – 1 centre tap hole
Weight	16,5 kg
Mounting acc. incl.	Template, order no. 89295.7 Fixing set, order no. 89194.0
Mounting acc. excl.	Mounting set M10 x 140 mm, order no. 89988.2
Colours	see colour table

SPECIFICATION TEXT

Washbasin undersurface ground LAUFEN PRO A, sanitary ceramic
EN 31
dimensions 600 x 480 mm, angular
1 centre tap hole
Special feature: overflow channel glazed
Further options / accessories: Surface refinement LCC (only white),
bathtubs, furniture
Order no. 81795.2

TECHNICAL DRAWINGS / S 1 : 20



SET LAUFEN PRO A

Washbasin undersurface ground 81795.3



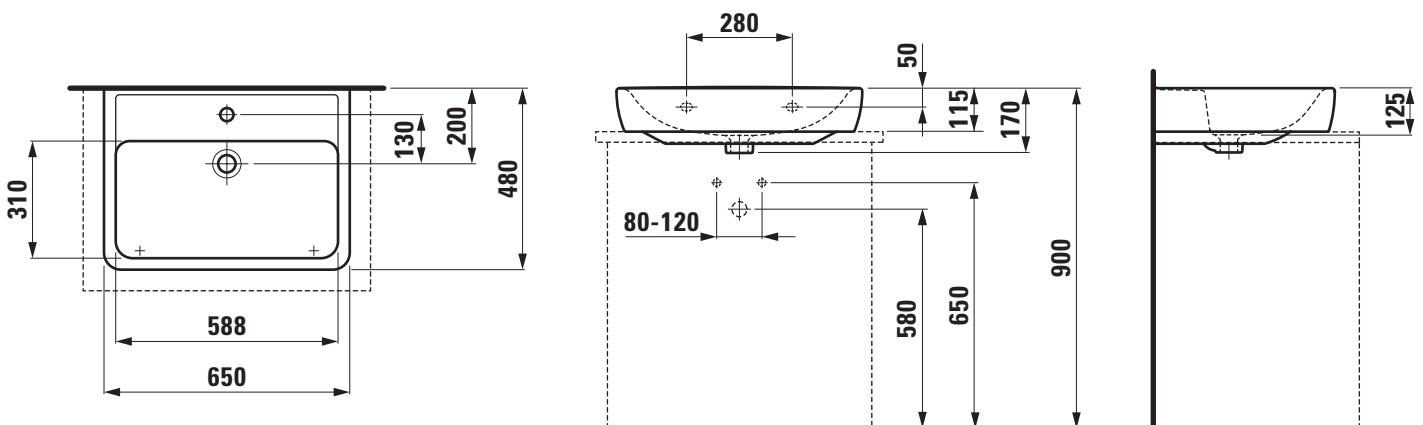
TECHNICAL DATA

Order no.	81795.3
Certified to	EN 31
Dimensions	650 x 480 mm
Specification	Always to be fixed to the wall. Charge 104 – 1 centre tap hole
Weight	18,0 kg
Mounting acc. incl.	Template, order no. 89295.8 Fixing set, order no. 89194.0
Mounting acc. excl.	Mounting set M10 x 140 mm, order no. 89988.2
Colours	see colour table

SPECIFICATION TEXT

Washbasin undersurface ground LAUFEN PRO A, sanitary ceramic EN 31
dimensions 650 x 480 mm, angular
1 centre tap hole
Special feature: overflow channel glazed
Further options / accessories: Surface refinement LCC (only white),
bathtubs, furniture
Order no. 81795.3

TECHNICAL DRAWINGS / S 1 : 20



SET LAUFEN PRO A

Drop in basin 81396.1



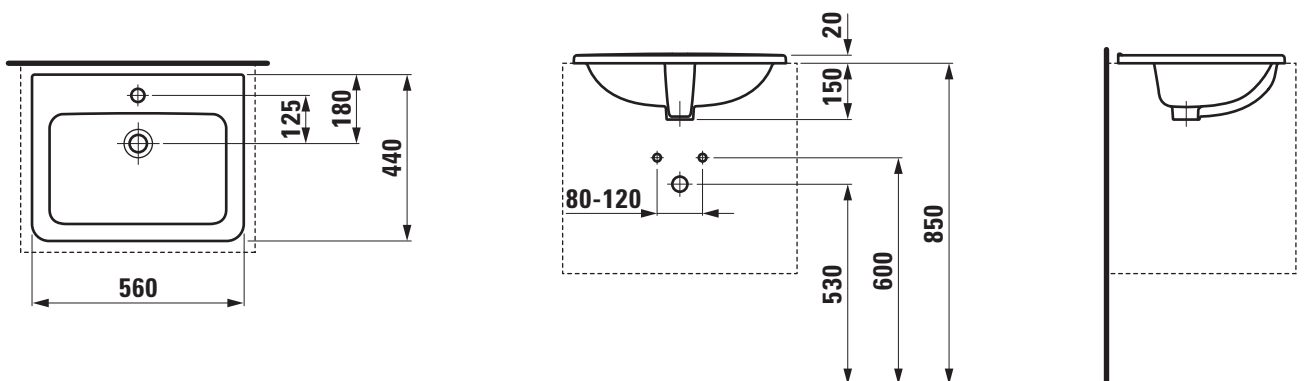
TECHNICAL DATA

Order no.	81396.1
Certified to	EN 31
Dimensions	560 x 440 mm
Specification	Charge 104 – 1 centre tap hole
Weight	9,0 kg
Mounting acc. incl.	Template, order no. 89790.7
Mounting acc. excl.	Silicon caoutchouc Siphon DN 32 chrome, order no. 89394.7
Colours	see colour table

SPECIFICATION TEXT

Drop in basin LAUFEN PRO A, sanitary ceramic
EN 31
dimensions 560 x 440 mm, angular
1 centre tap hole, overflow in front
Special feature: overflow channel glazed
Further options / accessories: Surface refinement LCC (only white),
bathtubs, furniture
Order no. 81396.1

TECHNICAL DRAWINGS / S 1 : 20



SET LAUFEN PRO A
Semi recessed basin
81296.1



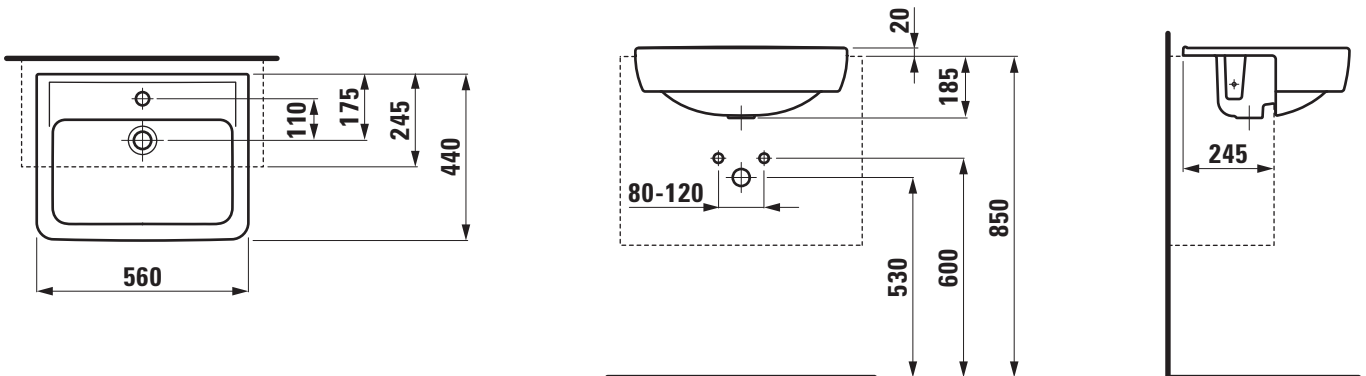
TECHNICAL DATA

Order no.	81296.1
Dimensions	560 x 440 mm
Specification	Charge 104 – 1 centre tap hole
Special specification	Charge 109 – without tap hole
Weight	12,0 kg
Mounting acc. incl.	Template, order no. 89295.2 Mounting set, order no. 89909.0
Colours	see colour table

SPECIFICATION TEXT

Semi recessed basin LAUFEN PRO A, sanitary ceramic dimensions 560 x 440 mm, angular
 1 centre tap hole
 Special feature: overflow channel glazed
 Further options / accessories: Surface refinement LCC (only white option 104), without tap hole (only white 000), bathtubs, furniture
 Order no. 81296.1

TECHNICAL DRAWINGS / S 1 : 20



SET LAUFEN PRO A

Small washbasin

81695.5



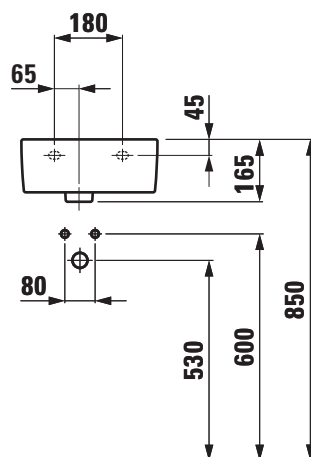
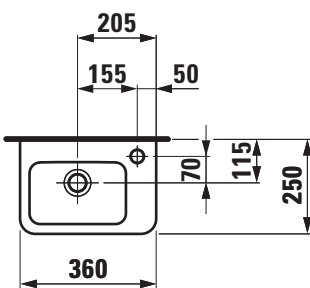
TECHNICAL DATA

Order no.	81695.5
Certified to	EN 31
Dimensions	360 x 250 mm
Specification	Charge 106 – 1 tap hole right
Weight	9,0 kg
Mounting acc. incl.	Special nut M10, order no. 89097.0
Mounting acc. excl.	Mounting set M10 x 140 mm, order no. 89988.2
Colours	see colour table

SPECIFICATION TEXT

Small washbasin LAUFEN PRO A, sanitary ceramic
EN 31
dimensions 360 x 250 mm, angular
1 tap hole right
Special feature: overflow channel glazed
Further options / accessories: Surface refinement LCC (only white),
furniture
Order no. 81695.5

TECHNICAL DRAWINGS / S 1 : 20



SET LAUFEN PRO A

Small washbasin

81195.1



TECHNICAL DATA

Order no.	81195.1
Certified to	EN 31
Dimensions	450 x 340 mm
Specification	Charge 104 – 1 centre tap hole
Special specification	Charge 109 – without tap hole
Weight	10,0 kg
Accessories excl.	Siphon cover, order no. 81995.2
Mounting acc. excl.	Mounting set M10 x 140 mm, order no. 89988.2
Colours	see colour table

SPECIFICATION TEXT

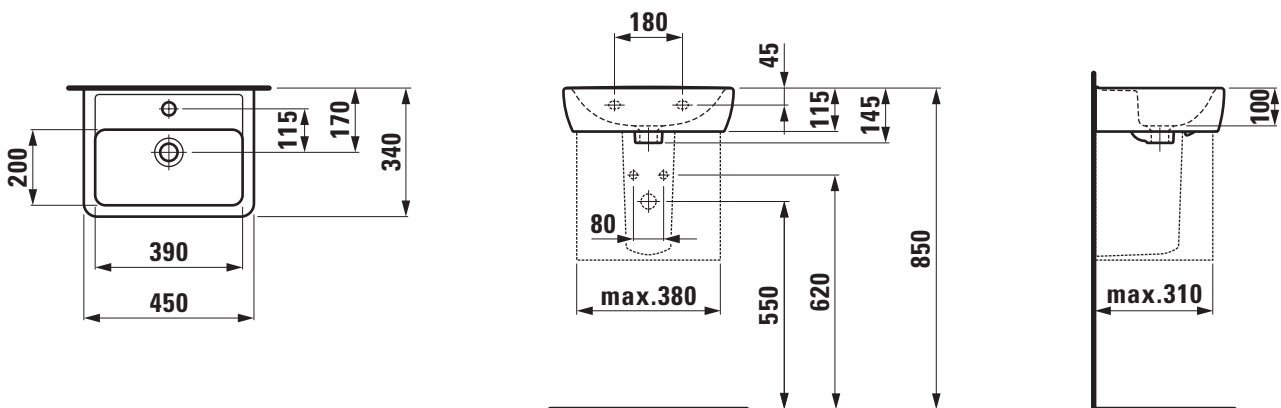
Small washbasin LAUFEN PRO A, sanitary ceramic
EN 31

dimensions 450 x 340 mm, angular
1 centre tap hole

Special feature: overflow channel glazed

Further options / accessories: Surface refinement LCC (only white
option 104), without tap hole (only white 000), siphon cover, furniture
Order no. 81195.1

TECHNICAL DRAWINGS / S 1 : 20



SET LAUFEN PRO B

Siphon cover

81995.2



TECHNICAL DATA

Order no.	81995.2
matching for	Small wash basin, order no. 81195.1, 81595.2, 81595.3
Weight	5,2 kg
Mounting acc. incl.	Device for fixing, order no. 89001.5
Colours	see colour table

SPECIFICATION TEXT

Siphon cover LAUFEN PRO B, sanitary ceramic
matching small washbasin order no. 81195.1, 81595.2, 81595.3
Order no. 81995.2



TECHNICAL DATA

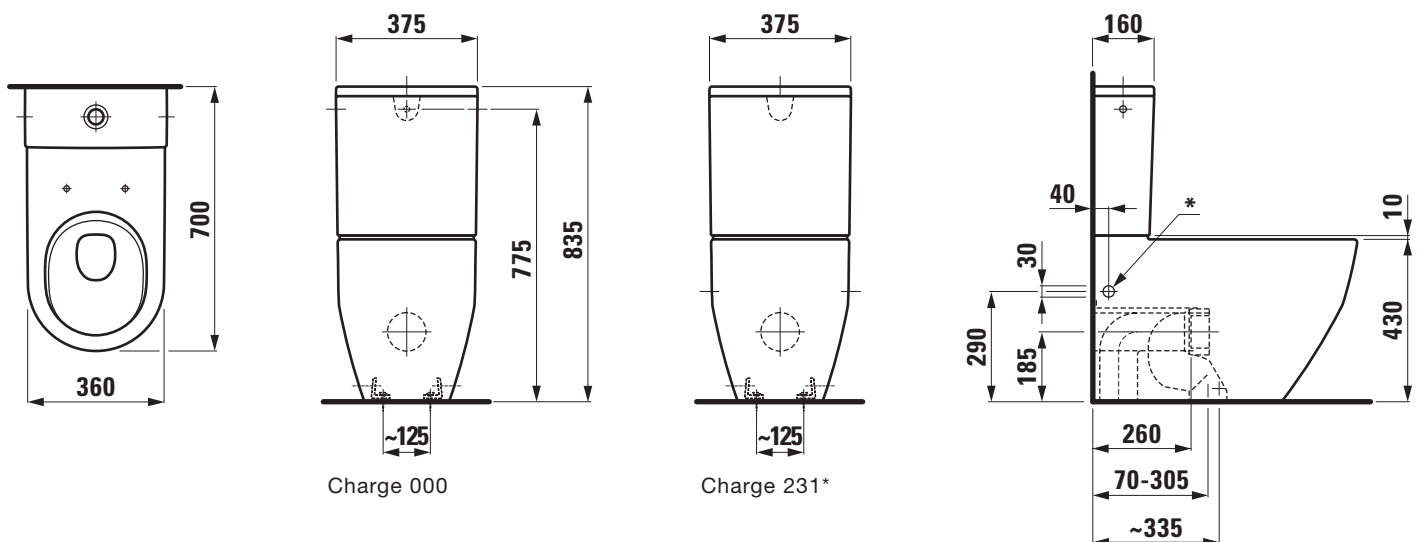
Order no.	82595.1
Certified to	EN 997 / EN 33
Specification	rimless Washdown for 4,5/3-l-flush Charge 000 – 2 fixing holes, without lateral holes
Special specification	Charge 231 – 2 fixing holes, with lateral holes
Outlet	horizontal VARIO, vertical 70 - 305 mm
Weight	34,0 kg
Accessories excl.	Charge 000 – Cistern, order no. 82995.1, 82995.2 Charge 231 – Cistern, order no. 82995.3, 82995.5 Seat, order no. 89395.7 Seat and cover, order no. 89395.2, 89395.5, 89695.0, 89896.0, 89896.5 Seat and cover with automatic lowering system, order no. 89160.1, 89395.9, 89695.1, 89896.6
Mounting acc. incl.	Fixing set, order no. 89175.7

Mounting acc. excl.	for VARIO-outlet 70 - 205 mm LAUFEN-connection, order no. 89009.2 for VARIO-outlet 220 - 305 mm only LAUFEN-connection, order no. 89902.5
Colours	see colour table

SPECIFICATION TEXT

Floorstanding WC pan rimless washdown LAUFEN PRO, sanitary ceramic, for cistern
EN 997, EN 33, 4,5/3-l-flush, dimensions 360 x 700 x 440 mm
outlet horizontal, VARIO vertical 70 - 305 mm
back to wall, concealed fixation, 2 fixing holes
Special feature: rimless, concealed surfaces directing water are fully glazed throughout, vacuum checked
Further options / accessories: Surface refinement LCC (only white), 2 lateral holes (option 231), cistern 82995.1, 82995.2 (option 000), 82995.3, 82995.5 (option 231), WC Seat 89395.7, WC seat and cover 89395.2, 89395.5, 89695.0, 89896.0, 89896.5, WC seat and cover with automatic lowering 89160.1, 89395.9, 89695.1, 89896.6
Order no. 82595.1

TECHNICAL DRAWINGS / S 1 : 20



* = Only Charge 231 (Charge 000 without holes)



TECHNICAL DATA

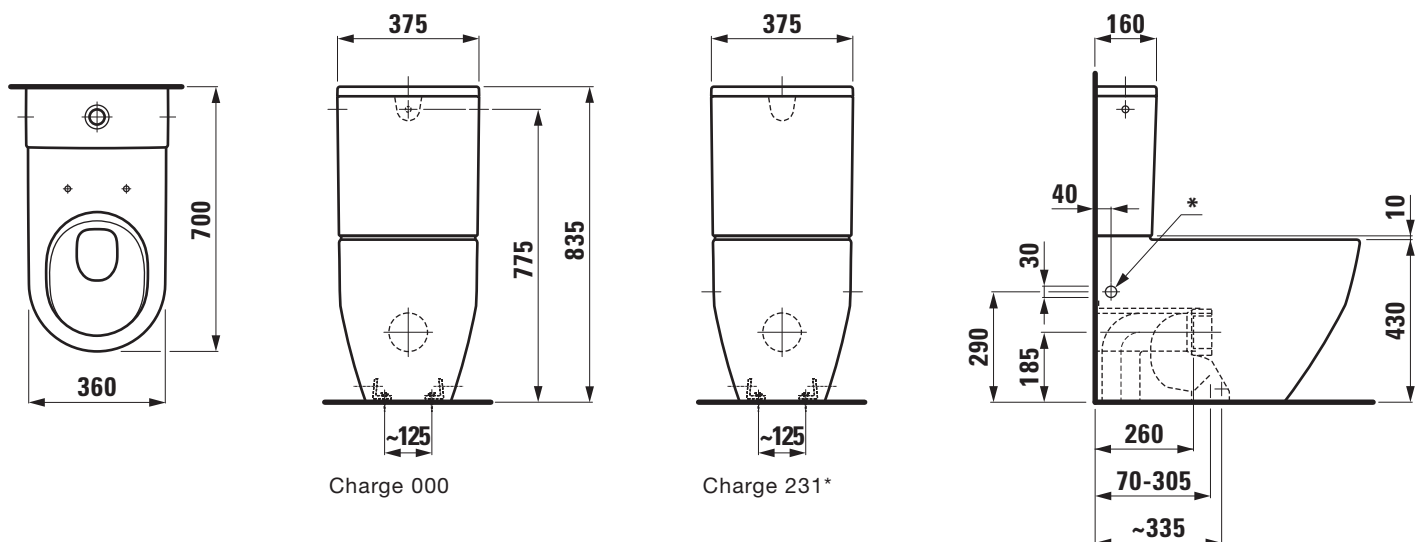
Order no.	82595.8
Certified to	EN 997 / EN 33
Specification	rimless Washdown for 4,5/3-l-flush Charge 000 – 2 fixing holes, without lateral holes
Special specification	Charge 231 – 2 fixing holes, with lateral holes
Outlet	horizontal VARIO, vertical 70 - 305 mm
Weight	34,0 kg
Accessories excl.	Charge 000 – Cistern, order no. 82995.1, 82995.2 Charge 231 – Cistern, order no. 82995.3, 82995.5 Seat, order no. 89395.7 Seat and cover, order no. 89395.2, 89395.5, 89695.0, 89896.0, 89896.5 Seat and cover with automatic lowering system, order no. 89160.1, 89395.9, 89695.1, 89896.6
Mounting acc. incl.	Fixing set, order no. 89175.7

Mounting acc. excl.	for VARIO-outlet 70 - 205 mm LAUFEN-connection, order no. 89009.2 for VARIO-outlet 220 - 305 mm only LAUFEN-connection, order no. 89902.5
Colours	see colour table

SPECIFICATION TEXT

Floorstanding WC pan rimless washdown LAUFEN PRO, sanitary ceramic, for cistern
EN 997, EN 33, 4,5/3-l-flush, dimensions 360 x 700 x 440 mm
outlet horizontal, VARIO vertical 70 - 305 mm
back to wall, concealed fixation, 2 fixing holes
Special feature: rimless, concealed surfaces directing water are fully glazed throughout, vacuum checked
Further options / accessories: Surface refinement LCC (only white), 2 lateral holes (option 231), cistern 82995.1, 82995.2 (option 000), 82995.3, 82995.5 (option 231), WC Seat 89395.7, WC seat and cover 89395.2, 89395.5, 89695.0, 89896.0, 89896.5, WC seat and cover with automatic lowering 89160.1, 89395.9, 89695.1, 89896.6
Order no. 82595.8

TECHNICAL DRAWINGS / S 1 : 20



* = Only Charge 231 (Charge 000 without holes)



TECHNICAL DATA

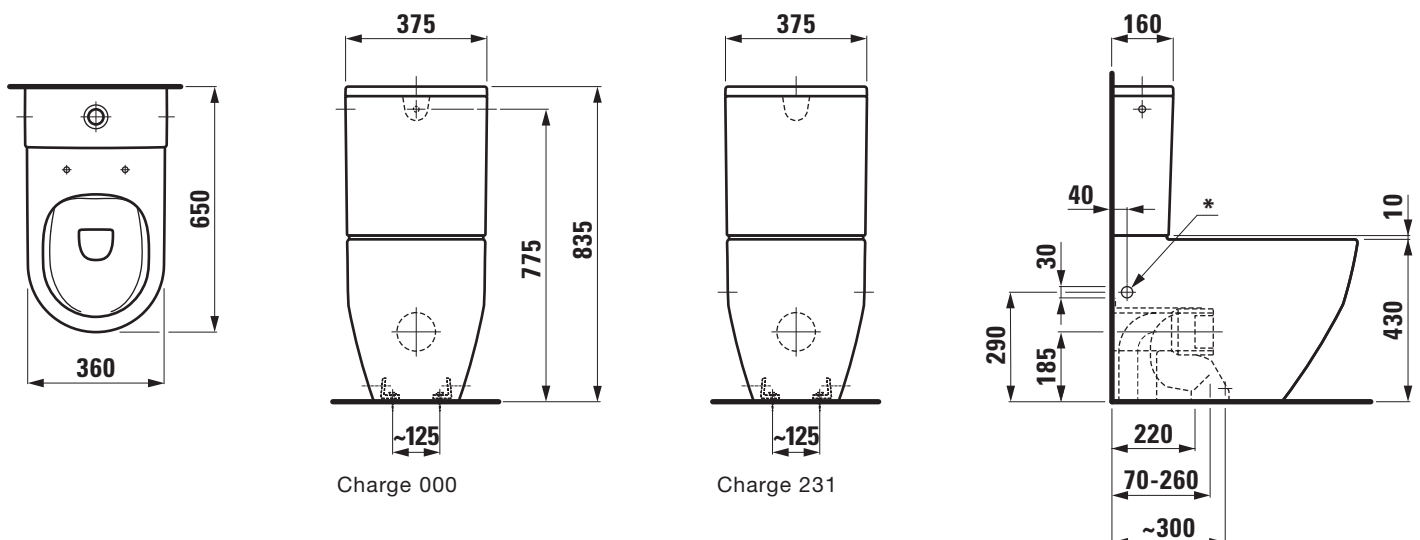
Order no.	82596.2
Certified to	EN 997 / EN 33
Specification	rimless Washdown for 4,5/3-l-flush Charge 000 – 2 fixing holes, without lateral holes
Special specification	Charge 231 – 2 fixing holes, with lateral holes
Outlet	horizontal VARIO, vertical 70 - 260 mm
Weight	34,0 kg
Accessories excl.	Charge 000 – Cistern, order no. 82995.1, 82995.2 Charge 231 – Cistern, order no. 82995.3, 82995.5 Seat, order no. 89395.7 Seat and cover, order no. 89395.2, 89395.5, 89695.0, 89896.0, 89896.5 Seat and cover with automatic lowering system, order no. 89160.1, 89395.9, 89695.1, 89896.6
Mounting acc. incl.	Fixing set, order no. 89175.7

Mounting acc. excl.	for VARIO-outlet 70 - 160 mm LAUFEN-connection, order no. 89009.2 for VARIO-outlet 160 - 260 mm only LAUFEN-connection, order no. 89902.5
Colours	see colour table

SPECIFICATION TEXT

Floorstanding WC pan rimless washdown LAUFEN PRO, sanitary ceramic, for cistern
EN 997, EN 33, 4,5/3-l-flush, dimensions 360 x 650 x 440 mm
outlet horizontal, VARIO vertical 70 - 260 mm
back to wall, concealed fixation, 2 fixing holes
Special feature: concealed surfaces directing water are fully glazed throughout, vacuum checked
Further options / accessories: Surface refinement LCC (only white), 2 lateral holes (option 231), cistern 82995.1, 82995.2 (option 000), 82995.3, 82995.5 (option 231), WC Seat 89395.7, WC seat and cover 89395.2, 89395.5, 89695.0, 89896.0, 89896.5, WC seat and cover with automatic lowering 89160.1, 89395.9, 89695.1, 89896.6
Order no. 82596.2

TECHNICAL DRAWINGS / S 1 : 20



* = Only Charge 231 (Charge 000 without holes)



TECHNICAL DATA

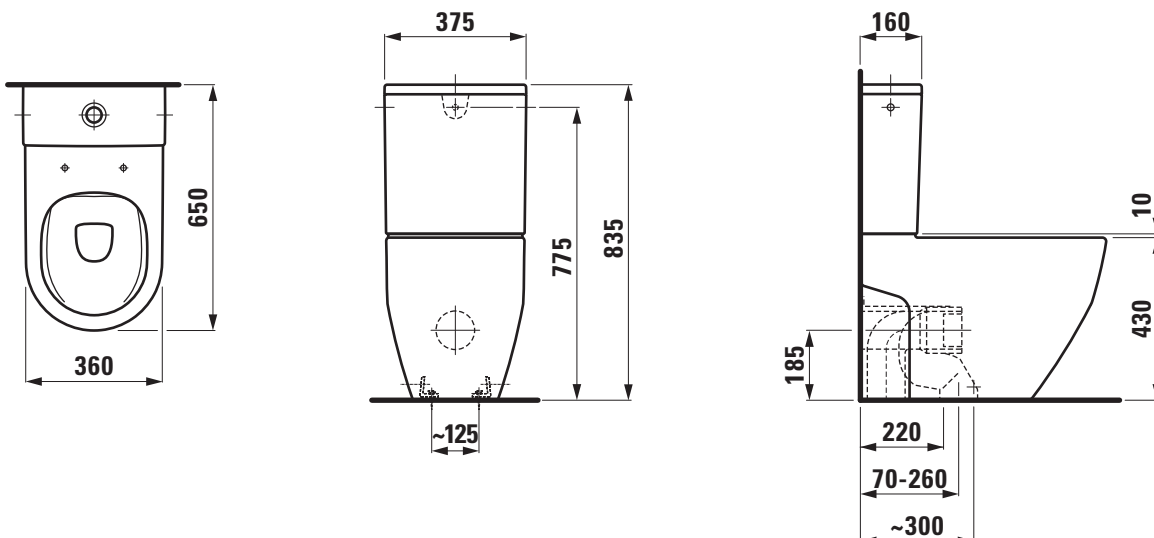
Order no.	82596.4
Certified to	EN 997 / EN 33
Specification	rimless Washdown for 4,5/3-l-flush
Outlet	horizontal VARIO, vertical 70 - 260 mm
Weight	34,0 kg
Accessories excl.	Cistern, order no. 82995.1, 82995.2, 82995.3, 82995.5 Seat, order no. 89395.7 Seat and cover, order no. 89395.2, 89395.5, 89695.0, 89896.0, 89896.5 Seat and cover with automatic lowering system, order no. 89160.1, 89395.9, 89695.1, 89896.6
Mounting acc. incl.	Fixing set, order no. 89175.7

Mounting acc. excl.	for VARIO-outlet 70 - 160 mm LAUFEN-connection, order no. 89009.2 for VARIO-outlet 160 - 260 mm only LAUFEN-connection, order no. 89902.5
Colours	see colour table

SPECIFICATION TEXT

Floorstanding WC pan rimless washdown LAUFEN PRO, sanitary ceramic, for cistern EN 997, EN 33, 4,5/3-l-flush, dimensions 360 x 650 x 440 mm outlet horizontal, VARIO vertical 70 - 260 mm concealed fixation
Special feature: concealed surfaces directing water are fully glazed throughout, vacuum checked
Further options / accessories: Surface refinement LCC (only white), cistern 82995.1, 82995.2, 82995.3, 82995.5, WC Seat 89395.7, WC seat and cover 89395.2, 89395.5, 89695.0, 89896.0, 89896.5, WC seat and cover with automatic lowering 89160.1, 89395.9, 89695.1, 89896.6
Order no. 82596.4

TECHNICAL DRAWINGS / S 1 : 20





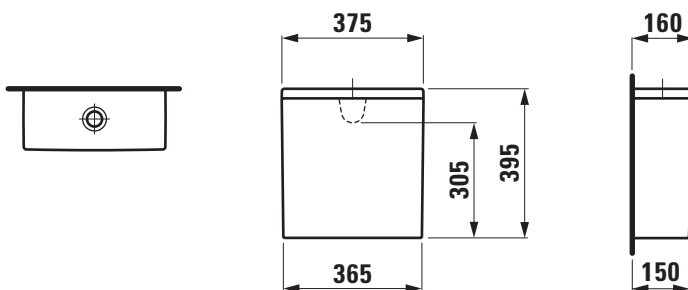
TECHNICAL DATA

Order no.	82995.1
Certified to	EN 14055
matching for	Floorstanding WC pan order no. 82595.1, 82595.2, 82595.8 / Charge 000, 82596.2 / Charge 000, 82596.4
Specification	Flushing mechanism Dual-Flush With water condensation insulation: Charge 871 – 5/3-l (6/3-l-flush, 4,5/3-l-flush) Without water condensation insulation: Charge 874 – 5/3-l (6/3-l-flush, 4,5/3-l-flush)
Water inlet	rear, 1/2" brass
Weight	13,0 kg
Mounting acc. incl.	Fastening kit Angle valve for rear water inlet Water inlet hose
Colours	see colour table

SPECIFICATION TEXT

Cistern LAUFEN PRO, sanitary ceramic
EN 14055, dimensions 375 x 160 x 395 mm
Dual-Flush 5/3-l (6/3-l-flush, 4,5/3-l-flush)
water inlet rear, 1/2" brass
matching floorstanding WC pan, order no. 82595.1/option 000,
82595.2, 82595.8/option 000, 82596.2/option 000, 82596.4
Special feature: with or without water condensation insulation
Order no. 82995.1

TECHNICAL DRAWINGS / S 1 : 20





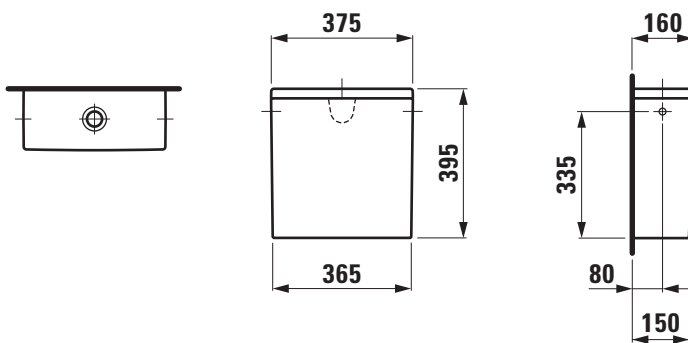
TECHNICAL DATA

Order no.	82995.2
Certified to	EN 14055
matching for	Floorstanding WC pan order no. 82595.1, 82595.2, 82595.8 / Charge 000, 82596.2 / Charge 000, 82596.4
Specification	Flushing mechanism Dual-Flush With water condensation insulation: Charge 872 – 5/3-l (6/3-l-flush, 4,5/3-l-flush) Without water condensation insulation: Charge 876 – 5/3-l (6/3-l-flush, 4,5/3-l-flush)
Water inlet	side left, side right, 3/8" brass
Weight	13,0 kg
Mounting acc. incl.	Fastening kit
Mounting acc. excl.	Angle valve for water inlet Water inlet hose
Colours	see colour table

SPECIFICATION TEXT

Cistern LAUFEN PRO, sanitary ceramic
EN 14055
dimensions 375 x 160 x 395 mm
Dual-Flush 5/3-l (6/3-l-flush, 4,5/3-l-flush)
water inlet side left, side right, 3/8" brass
matching floorstanding WC pan, order no. 82595.1/option 000,
82595.2, 82595.8/option 000, 82596.2/option 000, 82596.4
Special feature: with or without water condensation insulation
Order no. 82995.2

TECHNICAL DRAWINGS / S 1 : 20





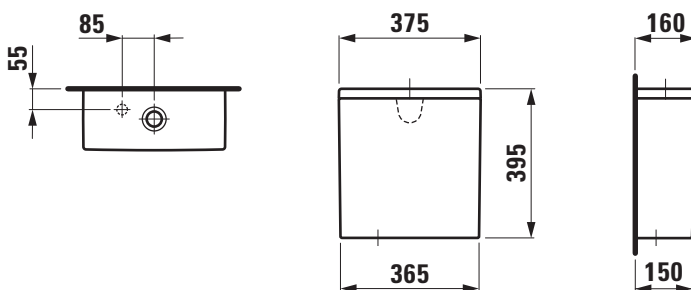
TECHNICAL DATA

Order no.	82995.3
matching for	Floorstanding WC pan order no. 82595.1, 82595.2, 82595.8 / Charge 231, 82596.2 / Charge 231, 82596.4
Specification	Flushing mechanism Dual-Flush Without water condensation insulation Charge 873 – 5/3-l (6/3-l-flush, 4,5/3-l-flush)
Water inlet	bottom left, 1/2" plastic
Weight	13,0 kg
Mounting acc. incl.	Fastening kit
Mounting acc. excl.	Angle valve for water inlet Water inlet hose
Colours	see colour table

SPECIFICATION TEXT

Cistern LAUFEN PRO, sanitary ceramic
dimensions 375 x 160 x 395 mm
Dual-Flush 5/3-l (6/3-l-flush, 4,5/3-l-flush)
water inlet bottom left, 1/2" plastic
matching floorstanding WC pan, order no. 82595.1/option 231,
82595.2, 82595.8/option 231, 82596.2/option 231, 82596.4
Special feature: without water condensation insulation
Order no. 82995.3

TECHNICAL DRAWINGS / S 1 : 20





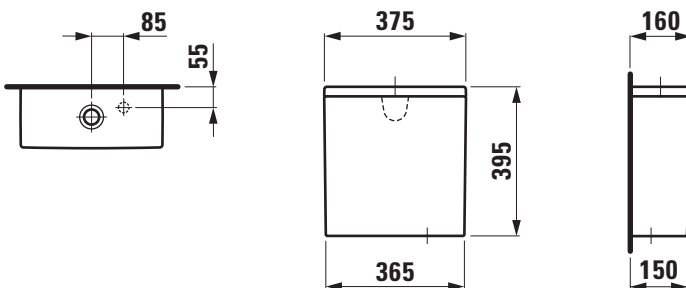
TECHNICAL DATA

Order no.	82995.5
matching for	Floorstanding WC pan order no. 82595.1, 82595.2, 82595.8 / Charge 231, 82596.2 / Charge 231, 82596.4
Specification	Flushing mechanism Dual-Flush Without water condensation insulation Charge 873 – 5/3-l (6/3-l-flush, 4,5/3-l-flush)
Water inlet	bottom right, 1/2" plastic
Weight	13,0 kg
Mounting acc. incl.	Fastening kit
Mounting acc. excl.	Angle valve for water inlet Water inlet hose
Colours	see colour table

SPECIFICATION TEXT

Cistern LAUFEN PRO, sanitary ceramic
dimensions 375 x 160 x 395 mm
Dual-Flush 5/3-l (6/3-l-flush, 4,5/3-l-flush)
water inlet bottom right, 1/2" plastic
matching floorstanding WC pan, order no. 82595.1/option 231,
82595.2, 82595.8/option 231, 82596.2/option 231, 82596.4
Special feature: without water condensation insulation
Order no. 82995.5

TECHNICAL DRAWINGS / S 1 : 20



SET LAUFEN PRO

Floorstanding WC combination

82495.9



TECHNICAL DATA

Order no.	82495.9
Certified to	EN 997, EN 33
Specification	Washout for 6/3-l-flush
Outlet	horizontal VARIO, vertical 70 - 350 mm
Weight	24,0 kg
Accessories excl.	Cistern Dual-Flush, order no. 82695.1, 82695.2, 82695.3, 82695.5 Seat, order no. 89295.0 Seat and cover, order no. 89195.0, 89295.1, 89395.2 Seat and cover with automatic lowering system, order no. 89195.1, 89395.8
Mounting acc. incl.	Fixing set, order no. 89175.7

Mounting acc. excl.	for VARIO-outlet 70 - 205 mm LAUFEN-connection, order no. 89009.2 for VARIO-outlet 220 - 350 mm only LAUFEN-connection, order no. 89902.5
Colours	see colour table

SPECIFICATION TEXT

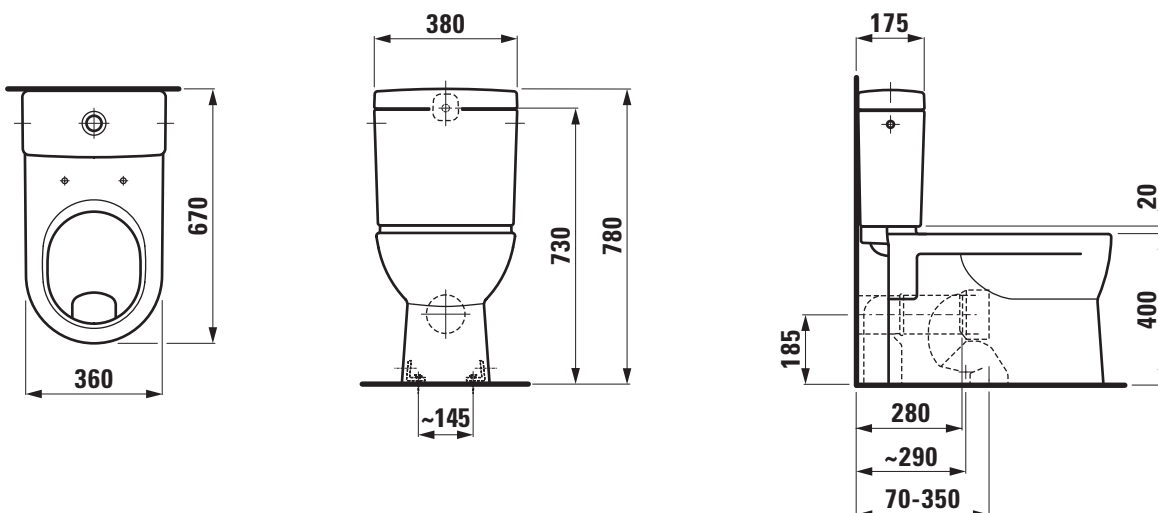
Floorstanding WC pan washout LAUFEN PRO, sanitary ceramic, for cistern, EN 997, EN 33, 6/3-l-flush, dimensions 360 x 670 x 420 mm outlet horizontal, VARIO vertical 70 - 350 mm concealed fixation

Special feature: concealed surfaces directing water are fully glazed throughout, vacuum checked

Further options / accessories: Surface refinement LCC (only white), cistern 82695.1, 82695.2, 82695.3, 82695.5, WC seat 89295.0, WC seat and cover 89195.0, 89295.1, 89395.2, WC seat and cover with automatic lowering 89195.1, 89395.8

Order no. 82495.9

TECHNICAL DRAWINGS / S 1 : 20



SET LAUFEN PRO

Floorstanding WC combination

82495.6



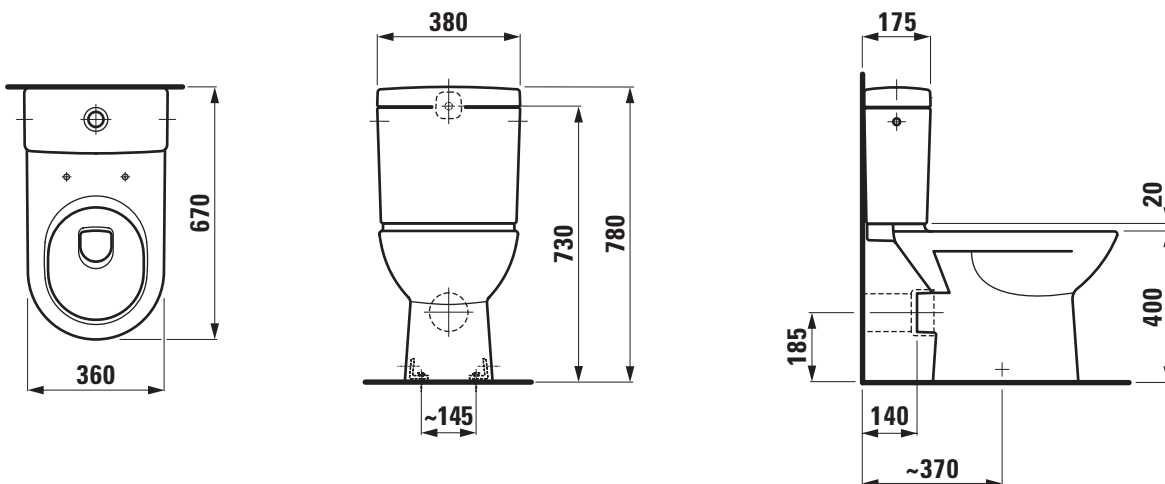
TECHNICAL DATA

Order no.	82495.6
Certified to	EN 997, EN 33
Specification	Washdown for 5,9/3-l-flush
Outlet	horizontal
Weight	22,3 kg
Accessories excl.	Cistern Dual-Flush, order no. 82695.1, 82695.2, 82695.3, 82695.5 Seat, order no. 89295.0 Seat and cover, order no. 89195.0, 89295.1, 89395.2 Seat and cover with automatic lowering system, order no. 89195.1, 89395.8
Mounting acc. incl.	Fixing set, order no. 89175.7
Colours	see colour table

SPECIFICATION TEXT

Floorstanding WC pan washdown LAUFEN PRO, sanitary ceramic, for cistern
EN 997, EN 33, 5,9/3-l-flush, dimensions 360 x 670 x 420 mm
outlet horizontal, concealed fixation
Special feature: concealed surfaces directing water are fully glazed throughout, vacuum checked
Further options / accessories: Surface refinement LCC (only white), cistern 82695.1, 82695.2, 82695.3, 82695.5, WC seat 89295.0, WC seat and cover 89195.0, 89295.1, 89395.2, WC seat and cover with automatic lowering 89195.1, 89395.8
Order no. 82495.6

TECHNICAL DRAWINGS / S 1 : 20



SET LAUFEN PRO

Floorstanding WC combination

82495.7



TECHNICAL DATA

Order no.	82495.7
Certified to	EN 997, EN 33
Specification	Washdown for 6/3-l-flush
Outlet	vertical
Weight	23,6 kg
Accessories excl.	Cistern Dual-Flush, order no. 82695.1, 82695.2, 82695.3, 82695.5 Seat, order no. 89295.0 Seat and cover, order no. 89195.0, 89295.1, 89395.2 Seat and cover with automatic lowering system, order no. 89195.1, 89395.8
Mounting acc. incl.	Fixing set, order no. 89175.7
Colours	see colour table

SPECIFICATION TEXT

Floorstanding WC pan washdown LAUFEN PRO, sanitary ceramic, for cistern

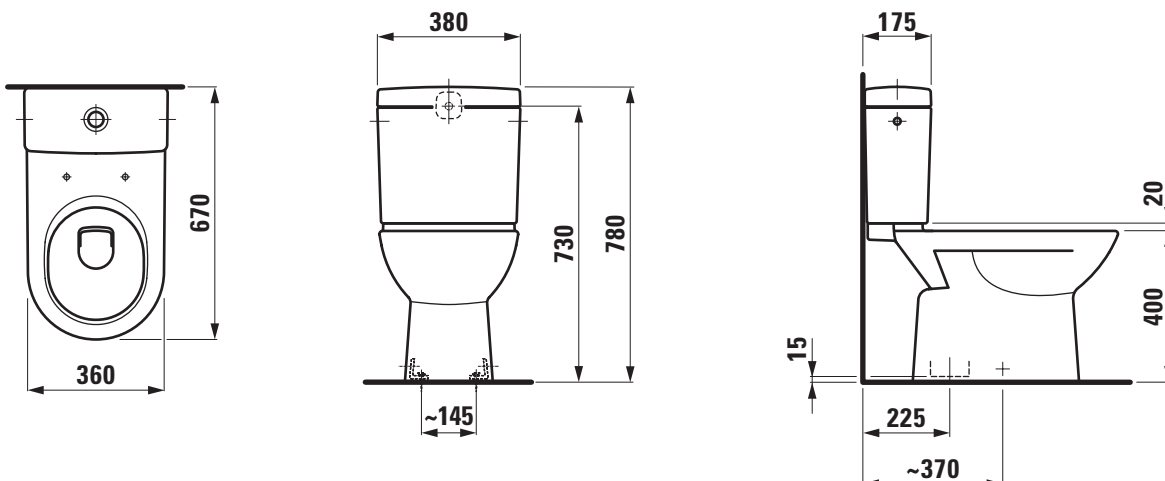
EN 997, EN 33, 6/3-l-flush, dimensions 360 x 670 x 420 mm outlet vertical 225 mm, concealed fixation

Special feature: concealed surfaces directing water are fully glazed throughout, vacuum checked

Further options / accessories: Surface refinement LCC (only white), cistern 82695.1, 82695.2, 82695.3, 82695.5, WC seat 89295.0, WC seat and cover 89195.0, 89295.1, 89395.2, WC seat and cover with automatic lowering 89195.1, 89395.8

Order no. 82495.7

TECHNICAL DRAWINGS / S 1 : 20

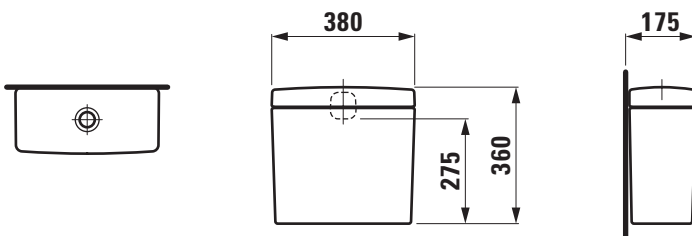




TECHNICAL DATA

Order no.	82695.1	Weight	12,2 kg
Certified to	EN 14055	Mounting acc. incl.	Fastening kit Angle valve for rear water inlet Water inlet hose
matching for	Floorstanding WC pan order no. 82495.5 / Charge 000/204 82495.6, 82495.7, 82495.8 / Charge 000/204, 82495.9	Colours	see colour table
Specification	Flushing mechanism Dual-Flush 5/3-l (6/3-l-flush, 4,5/3-l-flush) Charge 871 – with water condensation insulation Charge 874 – without water condensation insulation Charge 892 – without water condensation insulation (project version)	SPECIFICATION TEXT Cistern LAUFEN PRO, sanitary ceramic EN 14055 dimensions 380 x 175 x 360 mm Dual-Flush 5/3-l (6/3-l-flush, 4,5/3-l-flush) water inlet rear, 1/2" brass matching floorstanding WC pan, order no. 82495.5/option 000/204, 82495.6, 82495.7, 82495.8/option 000/204, 82495.9 Special feature: with or without water condensation insulation Order no. 82695.1	
Water inlet	rear, 1/2" brass		

TECHNICAL DRAWINGS / S 1 : 20

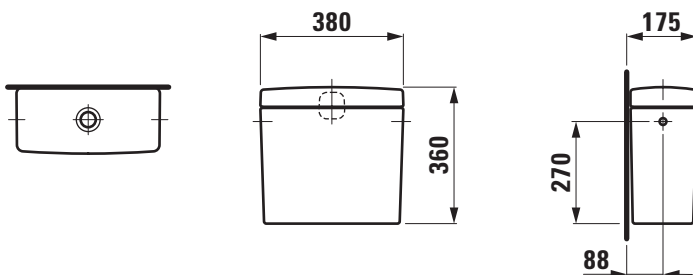




TECHNICAL DATA

Order no.	82695.2	Weight	12,2 kg
Certified to	EN 14055	Mounting acc. incl.	Fastening kit
matching for	Floorstanding WC pan order no. 82495.5 / Charge 000/204 82495.6, 82495.7, 82495.8 / Charge 000/204, 82495.9	Mounting acc. excl.	Angle valve for water inlet Water inlet hose
Specification	Flushing mechanism Dual-Flush 5/3-l (6/3-l-flush, 4,5/3-l-flush) Charge 872 – with water condensation insulation Charge 876 – without water condensation insulation Charge 893 – without water condensation insulation (project version)	Colours	see colour table
Water inlet	side left, side right, 3/8" brass	SPECIFICATION TEXT Cistern LAUFEN PRO, sanitary ceramic EN 14055 dimensions 380 x 175 x 360 mm Dual-Flush 5/3-l (6/3-l-flush, 4,5/3-l-flush) water inlet side left, side right, 3/8" brass matching floorstanding WC pan, order no. 82495.5 option 000/204, 82495.6, 82495.7, 82495.8 option 000/204, 82495.9 Special feature: with or without water condensation insulation Order no. 82695.2	

TECHNICAL DRAWINGS / S 1 : 20





TECHNICAL DATA

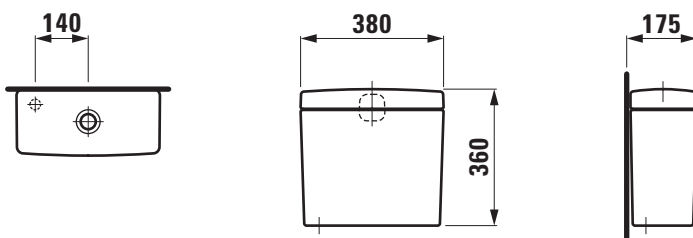
Order no.	82695.3
matching for	Floorstanding WC pan order no. 82495.5 / Charge 231, 82495.6, 82495.7, 82495.8 / Charge 231, 82495.9
Specification	Flushing mechanism Dual-Flush 5/3-l (6/3-l-flush, 4,5/3-l-flush) Charge 873 – without water condensation insulation Charge 894 – without water condensation insulation (project version)
Water inlet	bottom left, 1/2" plastic
Weight	12,2 kg
Mounting acc. incl.	Fastening kit

Mounting acc. excl.	Angle valve for water inlet Water inlet hose
Colours	see colour table

SPECIFICATION TEXT

Cistern LAUFEN PRO, sanitary ceramic
dimensions 380 x 175 x 360 mm
Dual-Flush 5/3-l (6/3-l-flush, 4,5/3-l-flush)
water inlet bottom left, 1/2" plastic
matching floorstanding WC pan, order no. 82495.5/option 231,
82495.6, 82495.7, 82495.8/option 231, 82495.9
Special feature: without water condensation insulation
Order no. 82695.3

TECHNICAL DRAWINGS / S 1 : 20





TECHNICAL DATA

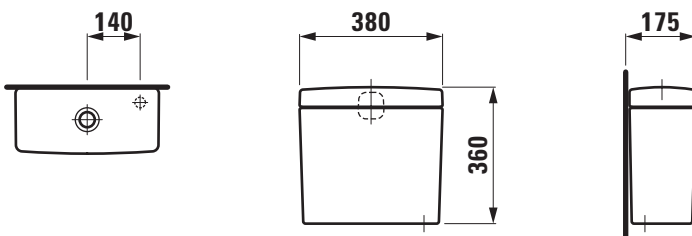
Order no.	82695.5
matching for	Floorstanding WC pan order no. 82495.5 / Charge 231, 82495.6, 82495.7, 82495.8 / Charge 231, 82495.9
Specification	Flushing mechanism Dual-Flush 5/3-l (6/3-l-flush, 4,5/3-l-flush) Charge 873 – without water condensation insulation Charge 894 – without water condensation insulation (project version)
Water inlet	bottom right, 1/2" plastic
Weight	12,2 kg
Mounting acc. incl.	Fastening kit

Mounting acc. excl.	Angle valve for water inlet Water inlet hose
Colours	see colour table

SPECIFICATION TEXT

Cistern LAUFEN PRO, sanitary ceramic
dimensions 380 x 175 x 360 mm
Dual-Flush 5/3-l (6/3-l-flush, 4,5/3-l-flush)
water inlet bottom right, 1/2" plastic
matching floorstanding WC pan, order no. 82495.5/option 231,
82495.6, 82495.7, 82495.8/option 231, 82495.9
Special feature: without water condensation insulation
Order no. 82695.5

TECHNICAL DRAWINGS / S 1 : 20



**Floorstanding cistern Universal for floorstanding WC pan
82866.0**



TECHNICAL DATA

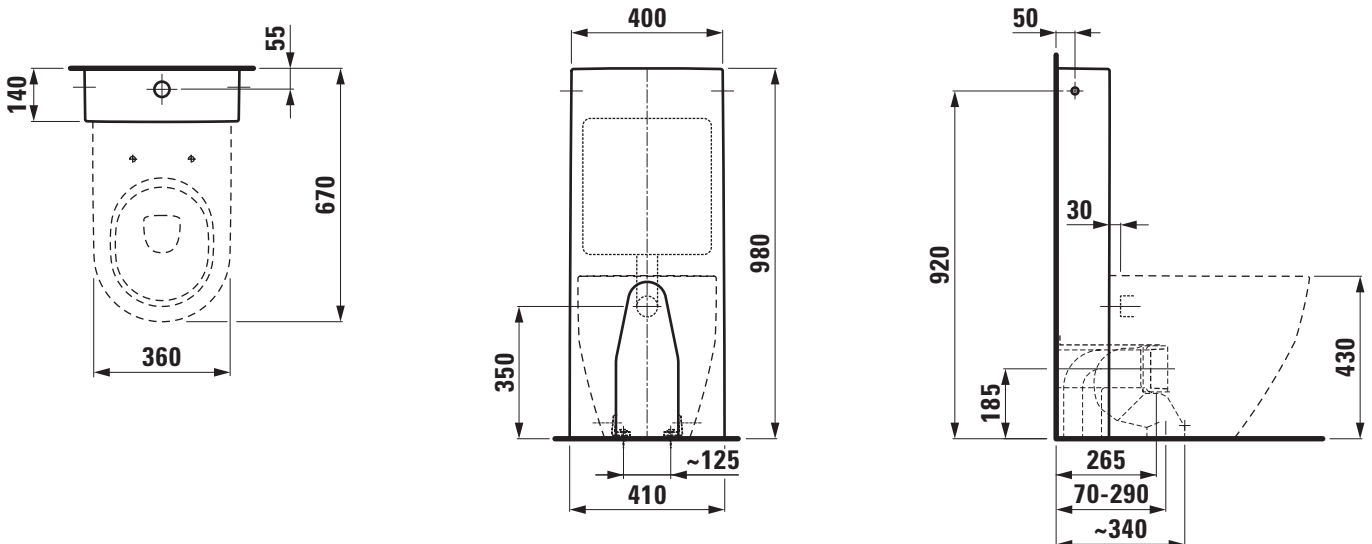
Order no.	82866.0
Certified to	EN 14055
matching for	Floorstanding WC pan, order no. 82295.2 Floorstanding WC pan rimless, order no. 82295.6
Specification	floorstanding Flushing mechanism Dual-Flush water condensation insulation Charge 882 – 6/3-l (5/3-l-flush, 4,5/3-l-flush)
Water inlet	side left, side right, 3/8" brass
Weight	21,5 kg
Mounting acc. incl.	Fastening kit
Mounting acc. excl.	for VARIO-outlet 70 - 220 mm LAUFEN-connection, order no. 89009.2 for VARIO-outlet 220 - 290 mm only LAUFEN-connection, order no. 89902.5 Angle valve for water inlet Water inlet hose

Colours see colour table

SPECIFICATION TEXT

Floorstanding cistern Universal LAUFEN PRO, sanitary ceramic EN 14055
dimensions 400/410 x 140 x 980 mm
Dual-Flush 6/3-l (5/3-l-flush, 4,5/3-l-flush)
water inlet side left, side right, 3/8" brass
matching floorstanding WC pan, order no. 82295.2 and floorstanding WC pan rimless, order no. 82295.6
Special feature: water condensation insulation
Order no. 82866.0

TECHNICAL DRAWINGS / S 1 : 20



**Floorstanding cistern Universal for floorstanding WC pan
82866.1**



TECHNICAL DATA

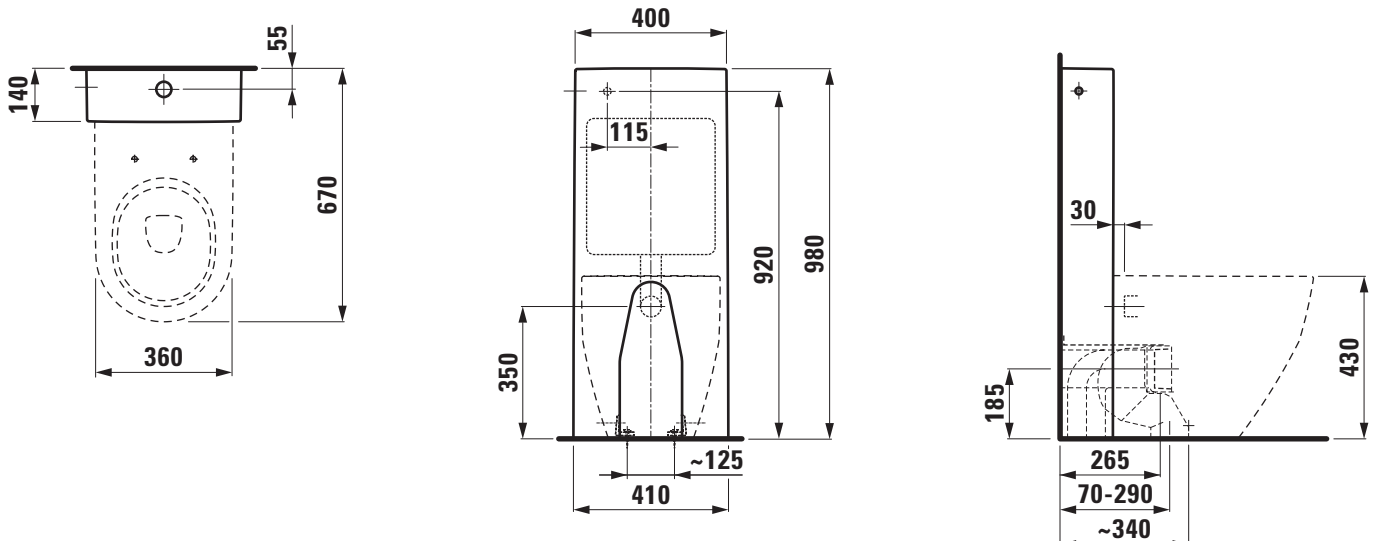
Order no.	82866.1
Certified to	EN 14055
matching for	Floorstanding WC pan, order no. 82295.2 Floorstanding WC pan rimless, order no. 82295.6
Specification	floorstanding Flushing mechanism Dual-Flush water condensation insulation Charge 881 – 6/3-l (5/3-l-flush, 4,5/3-l-flush)
Water inlet	concealed top left rear, 1/2" brass
Weight	21,5 kg
Mounting acc. incl.	Fastening kit Angle valve for rear water inlet Water inlet hose

Mounting acc. excl.	for VARIO-outlet 70 - 220 mm LAUFEN-connection, order no. 89009.2 for VARIO-outlet 220 - 290 mm only LAUFEN-connection, order no. 89902.5
Colours	see colour table

SPECIFICATION TEXT

Floorstanding cistern Universal LAUFEN PRO, sanitary ceramic
EN 14055
dimensions 400/410 x 140 x 980 mm
Dual-Flush 6/3-l (5/3-l-flush, 4,5/3-l-flush)
concealed water inlet top left rear, 1/2" brass
matching floorstanding WC pan, order no. 82295.2 and floorstanding WC pan rimless, order no. 82295.6
Special feature: water condensation insulation
Order no. 82866.1

TECHNICAL DRAWINGS / S 1 : 20



**Floorstanding cistern Universal for floorstanding WC pan
82866.3**



TECHNICAL DATA

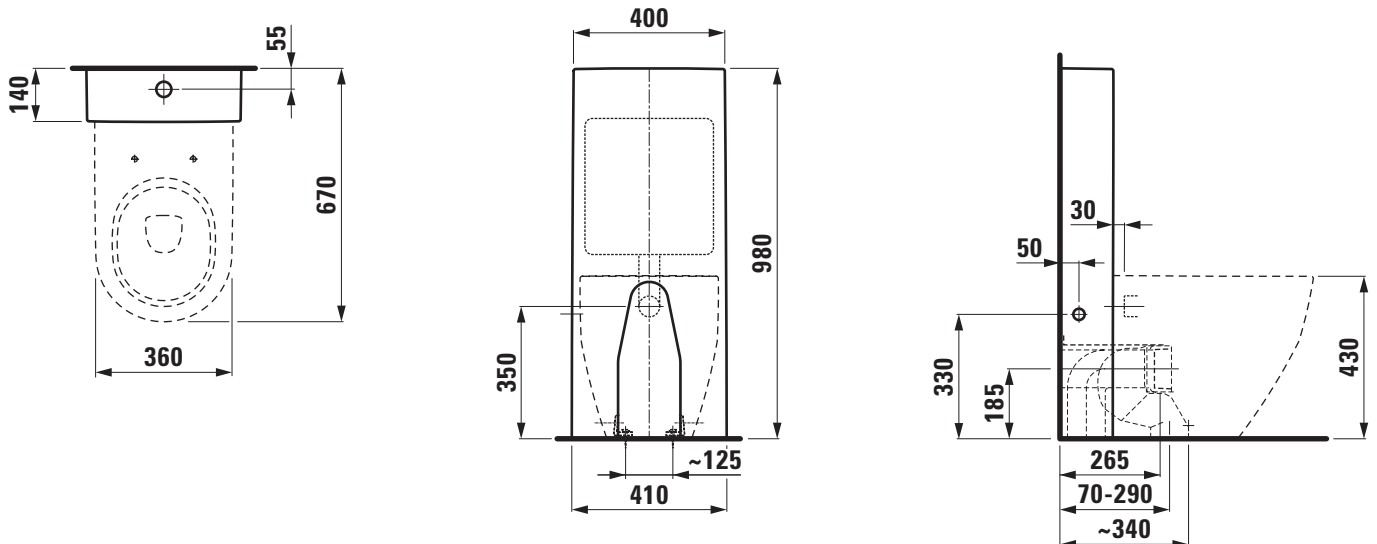
Order no.	82866.3
Certified to	EN 14055
matching for	Floorstanding WC pan, order no. 82295.2 Floorstanding WC pan rimless, order no. 82295.6
Specification	floorstanding Flushing mechanism Dual-Flush water condensation insulation Charge 883 – 6/3-l (5/3-l-flush, 4,5/3-l-flush)
Water inlet	bottom left, 1/2" plastic
Weight	21,5 kg
Mounting acc. incl.	Fastening kit
Mounting acc. excl.	for VARIO-outlet 70 - 220 mm LAUFEN-connection, order no. 89009.2 for VARIO-outlet 220 - 290 mm only LAUFEN-connection, order no. 89902.5 Angle valve for water inlet Water inlet hose

Colours see colour table

SPECIFICATION TEXT

Floorstanding cistern Universal LAUFEN PRO, sanitary ceramic EN 14055
dimensions 400/410 x 140 x 980 mm
Dual-Flush 6/3-l (5/3-l-flush, 4,5/3-l-flush)
water inlet bottom left, 1/2" plastic
matching floorstanding WC pan, order no. 82295.2 and floorstanding WC pan rimless, order no. 82295.6
Special feature: water condensation insulation
Order no. 82866.3

TECHNICAL DRAWINGS / S 1 : 20



**Floorstanding cistern Universal for floorstanding WC pan
82866.4**



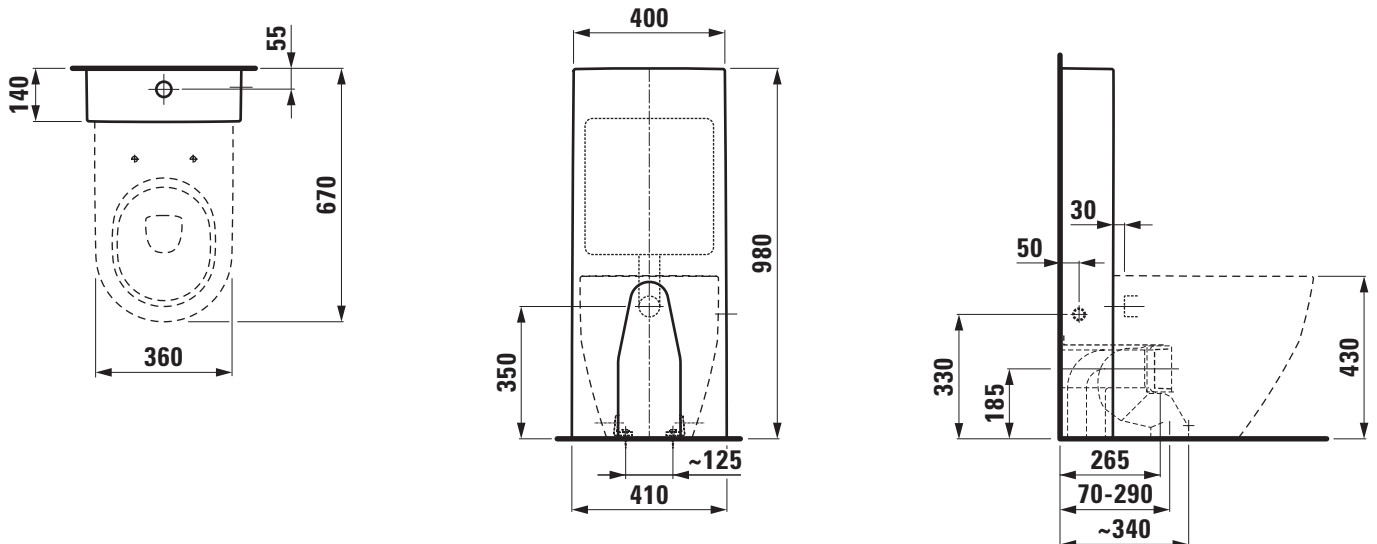
TECHNICAL DATA

Order no.	82866.4
Certified to	EN 14055
matching for	Floorstanding WC pan, order no. 82295.2 Floorstanding WC pan rimless, order no. 82295.6
Specification	floorstanding Flushing mechanism Dual-Flush Charge 884 – 6/3-l (5/3-l-flush, 4,5/3-l-flush)
Water inlet	bottom right, 1/2" plastic
Weight	21,5 kg
Mounting acc. incl.	Fastening kit
Mounting acc. excl.	for VARIO-outlet 70 - 220 mm LAUFEN-connection, order no. 89009.2 for VARIO-outlet 220 - 290 mm only LAUFEN-connection, order no. 89902.5 Angle valve for water inlet Water inlet hose
Colours	see colour table

SPECIFICATION TEXT

Floorstanding cistern Universal LAUFEN PRO, sanitary ceramic EN 14055
dimensions 400/410 x 140 x 980 mm
Dual-Flush 6/3-l (5/3-l-flush, 4,5/3-l-flush)
water inlet bottom left, 1/2" plastic
matching floorstanding WC pan, order no. 82295.2 and floorstanding WC pan rimless, order no. 82295.6
Order no. 82866.4

TECHNICAL DRAWINGS / S 1 : 20



**Floorstanding cistern, two-part Universal for floorstanding WC pan
82966.0**



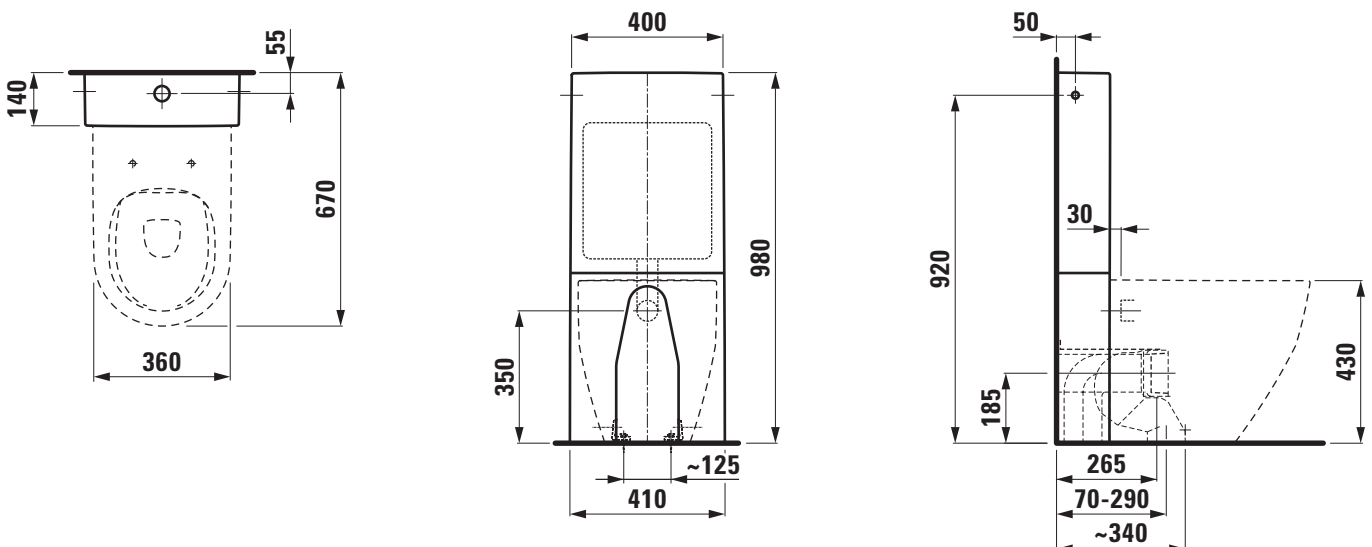
TECHNICAL DATA

Order no.	82966.0
Certified to	EN 14055
matching for	Floorstanding WC pan, order no. 82295.2 Floorstanding WC pan rimless, order no. 82295.6
Specification	Floorstanding, consisting of two-parts Flushing mechanism Dual-Flush water condensation insulation Charge 882 – 6/3-l (5/3-l-flush, 4,5/3-l-flush)
Water inlet	side left, side right, 3/8" brass
Weight	21,0 kg
Mounting acc. incl.	Fastening kit
Mounting acc. excl.	for VARIO-outlet 70 - 220 mm LAUFEN-connection, order no. 89009.2 for VARIO-outlet 220 - 290 mm only LAUFEN-connection, order no. 89902.5 Angle valve for water inlet Water inlet hose
Colours	see colour table

SPECIFICATION TEXT

Floorstanding cistern, two-part Universal LAUFEN PRO, sanitary ceramic
EN 14055
dimensions 400/410 x 140 x 980 mm
Dual-Flush 6/3-l (5/3-l-flush, 4,5/3-l-flush)
water inlet side left, side right, 3/8" brass
matching floorstanding WC pan, order no. 82295.2 and floorstanding WC pan rimless, order no. 82295.6
Special feature: water condensation insulation
Order no. 82966.0

TECHNICAL DRAWINGS / S 1 : 20



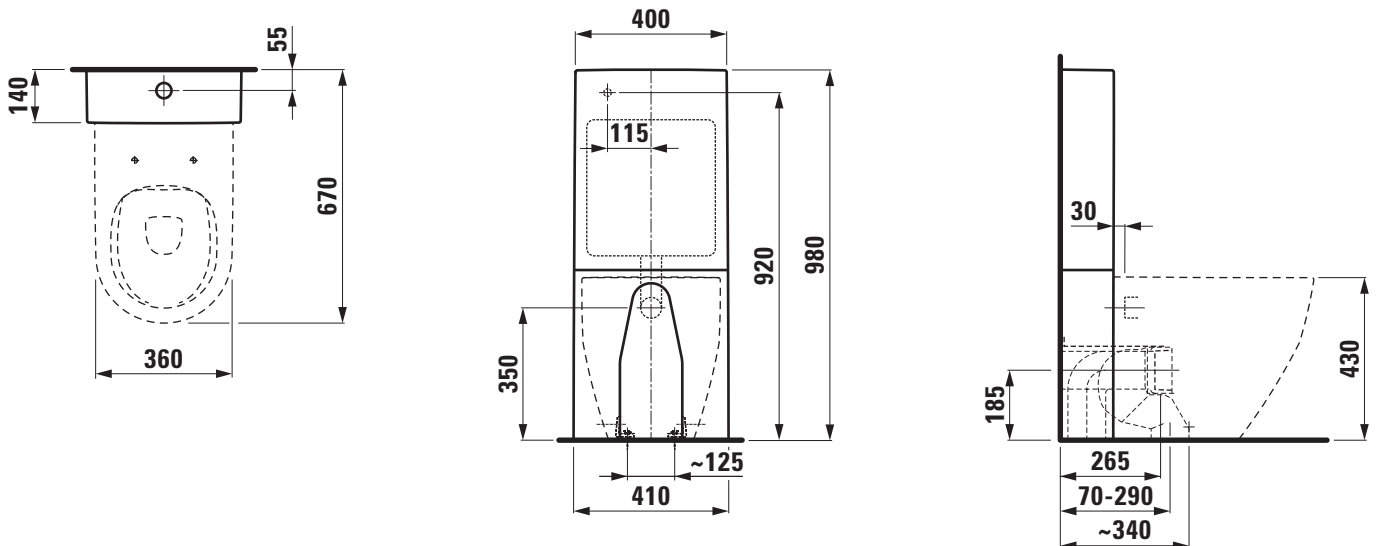
**Floorstanding cistern, two-part Universal for floorstanding WC pan
 82966.1**



TECHNICAL DATA

Order no.	82966.1	Mounting acc. excl.	for VARIO-outlet 70 - 220 mm LAUFEN-connection, order no. 89009.2
Certified to	EN 14055		for VARIO-outlet 220 - 290 mm only LAUFEN-connection, order no. 89902.5
matching for	Floorstanding WC pan, order no. 82295.2 Floorstanding WC pan rimless, order no. 82295.6		
Specification	Floorstanding, consisting of two-parts Flushing mechanism Dual-Flush water condensation insulation Charge 881 - 6/3-l (5/3-l-flush, 4,5/3-l-flush)	Colours	see colour table
Water inlet	concealed top left rear, 1/2" brass	SPECIFICATION TEXT Floorstanding cistern, two-part Universal LAUFEN PRO, sanitary ceramic EN 14055 dimensions 400/410 x 140 x 980 mm Dual-Flush 6/3-l (5/3-l-flush, 4,5/3-l-flush) concealed water inlet top left rear, 1/2" brass matching floorstanding WC pan, order no. 82295.2 and floorstanding WC pan rimless, order no. 82295.6 Special feature: water condensation insulation Order no. 82966.1	
Weight	21,0 kg		
Mounting acc. incl.	Fastening kit Angle valve for rear water inlet Water inlet hose		

TECHNICAL DRAWINGS / S 1 : 20



**Floorstanding cistern, two-part Universal for floorstanding WC pan
 82966.3**



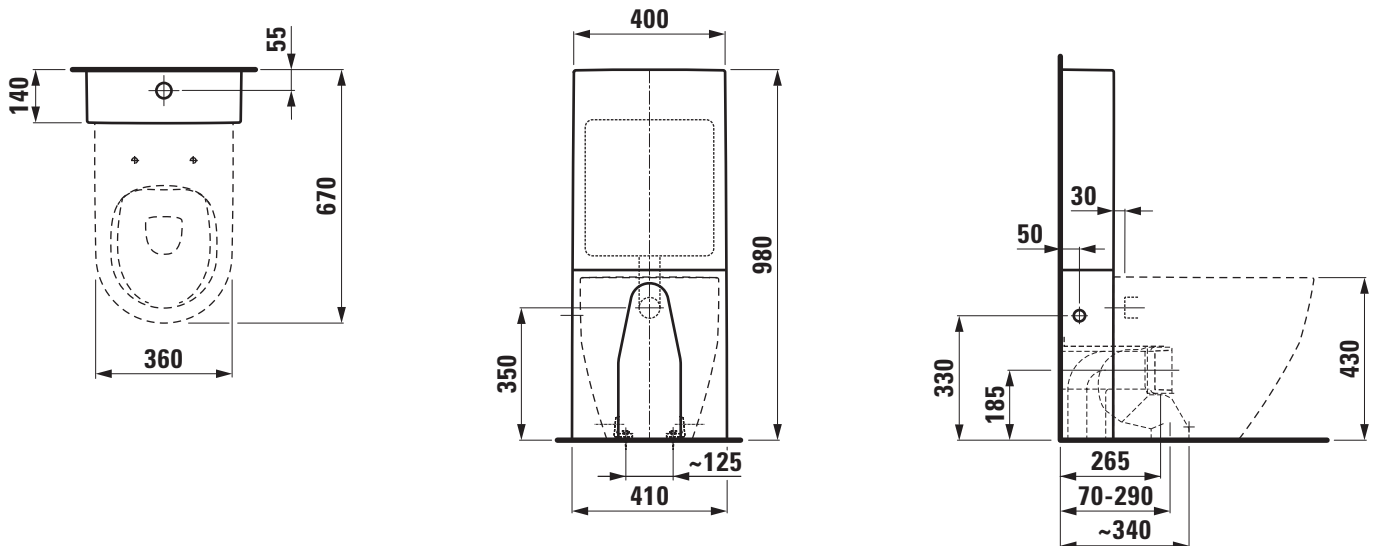
TECHNICAL DATA

Order no.	82966.3
Certified to	EN 14055
matching for	Floorstanding WC pan, order no. 82295.2 Floorstanding WC pan rimless, order no. 82295.6
Specification	Floorstanding, consisting of two-parts Flushing mechanism Dual-Flush water condensation insulation Charge 883 – 6/3-l (5/3-l-flush, 4,5/3-l-flush)
Water inlet	bottom left, 1/2" plastic
Weight	21,0 kg
Mounting acc. incl.	Fastening kit
Mounting acc. excl.	for VARIO-outlet 70 - 220 mm LAUFEN-connection, order no. 89009.2 for VARIO-outlet 220 - 290 mm only LAUFEN-connection, order no. 89902.5 Angle valve for water inlet Water inlet hose
Colours	see colour table

SPECIFICATION TEXT

Floorstanding cistern, two-part Universal LAUFEN PRO, sanitary ceramic
 EN 14055
 dimensions 400/410 x 140 x 980 mm
 Dual-Flush 6/3-l (5/3-l-flush, 4,5/3-l-flush)
 water inlet bottom left, 1/2" plastic
 matching floorstanding WC pan, order no. 82295.2 and floorstanding WC pan rimless, order no. 82295.6
 Special feature: water condensation insulation
 Order no. 82966.3

TECHNICAL DRAWINGS / S 1 : 20



**Floorstanding cistern, two-part Universal for floorstanding WC pan
82966.4**



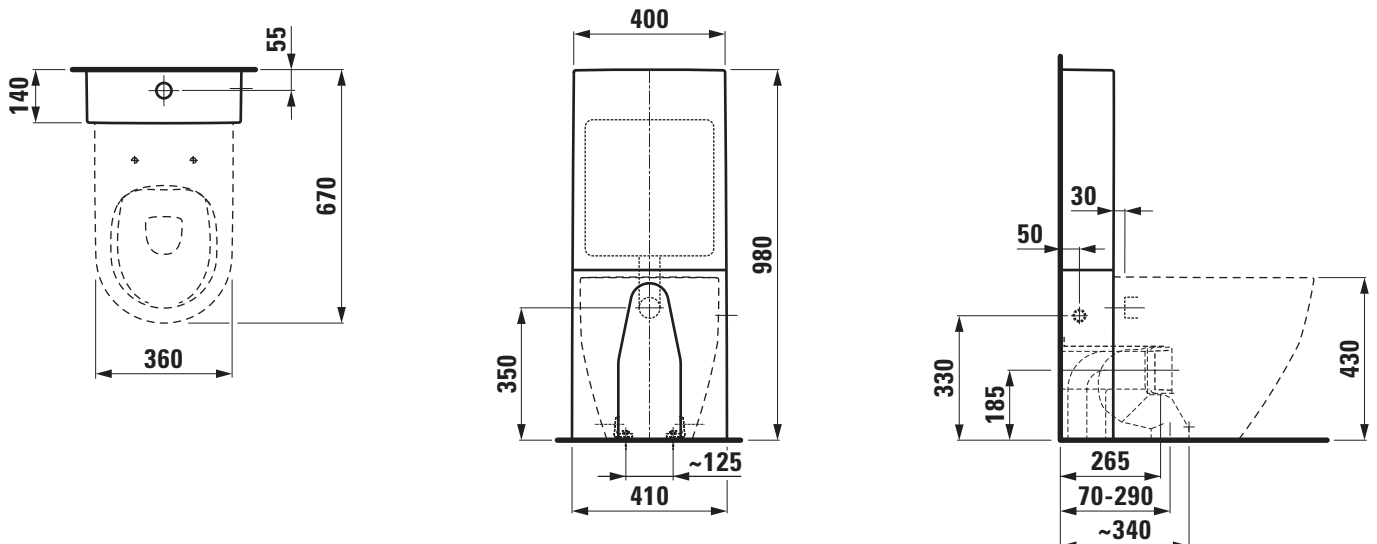
TECHNICAL DATA

Order no.	82966.4
Certified to	EN 14055
matching for	Floorstanding WC pan, order no. 82295.2 Floorstanding WC pan rimless, order no. 82295.6
Specification	Floorstanding, consisting of two-parts Flushing mechanism Dual-Flush Charge 884 – 6/3-l (5/3-l-flush, 4,5/3-l-flush)
Water inlet	bottom right, 1/2" plastic
Weight	21,0 kg
Mounting acc. incl.	Fastening kit
Mounting acc. excl.	for VARIO-outlet 70 - 220 mm LAUFEN-connection, order no. 89009.2 for VARIO-outlet 220 - 290 mm only LAUFEN-connection, order no. 89902.5 Angle valve for water inlet Water inlet hose
Colours	see colour table

SPECIFICATION TEXT

Floorstanding cistern, two-part Universal LAUFEN PRO, sanitary ceramic
EN 14055
dimensions 400/410 x 140 x 980 mm
Dual-Flush 6/3-l (5/3-l-flush, 4,5/3-l-flush)
water inlet bottom right, 1/2" plastic
matching floorstanding WC pan, order no. 82295.2 and floorstanding WC pan rimless, order no. 82295.6
Order no. 82966.4

TECHNICAL DRAWINGS / S 1 : 20



SET LAUFEN PRO

Floorstanding WC pan

82295.2



TECHNICAL DATA

Order no.	82295.2
Certified to	EN 997 / EN 33
Specification	Washdown for 5,9/3-l-flush back to wall
Special specification	Charge 231 – 2 fixing holes, with lateral holes
Outlet	horizontal vertical 70 and 110 mm
Weight	32,0 kg
Accessories excl.	Floorstanding cistern Universal, order no. 82866.0, 82866.1, 82866.3, 82866.4 Floorstanding cistern two-part Universal, order no. 82966.0, 82966.1, 82966.3, 82966.4 Seat and cover, order no. 89395.5, 89695.0, 89896.5 Seat and cover with automatic lowering system, order no. 89160.1, 89395.9, 89695.1, 89896.6
Mounting acc. incl.	Fixing set, order no. 89175.7
Mounting acc. excl.	for horizontal outlet use standard variable connection for outlet vertical 70 mm LAUFEN-connection set, order no. 89009.2

Mounting acc. excl. for outlet vertical 110 mm LAUFEN-connection
set, order no. 89902.7

Colours see colour table

SPECIFICATION TEXT

Floorstanding WC pan washdown LAUFEN PRO, sanitary ceramic,
for concealed cistern and floorstanding cistern Universal
EN 997, EN 33, 5,9/3-l-flush, dimensions 360 x 530 x 430 mm
outlet horizontal, vertical 70 and 110 mm

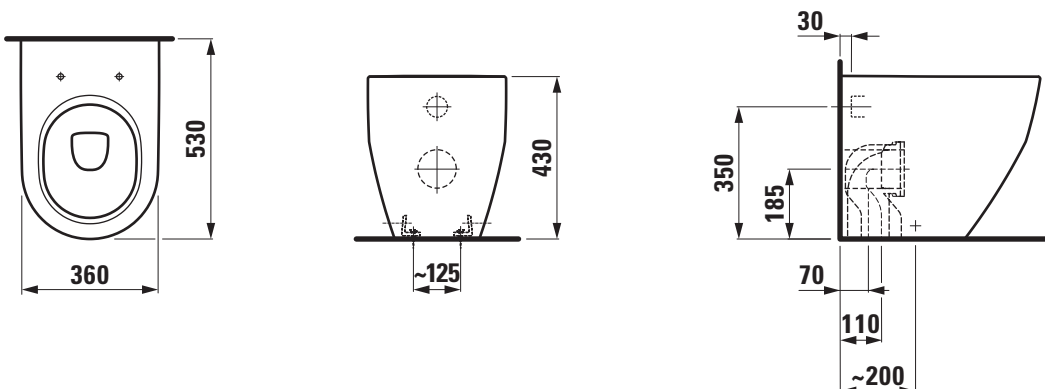
back to wall, concealed fixation

Special feature: concealed surfaces directing water are fully glazed
throughout, vacuum checked

Further options / accessories: Surface refinement LCC (only white),
2 lateral holes (option 231), floorstanding cistern Universal 82866.0,
82866.1, 82866.3, 82866.4, floorstanding cistern two-part Universal
82966.0, 82966.1, 82966.3, 82966.4, WC seat and cover 89395.5,
89695.0, 89896.5, WC seat and cover with automatic lowering 89160.1,
89395.9, 89695.1, 89896.6

Order no. 82295.2

TECHNICAL DRAWINGS / S 1 : 20





TECHNICAL DATA

Order no.	82295.6
Certified to	EN 997 / EN 33
Specification	rimless Washdown for min. 4,5/3-l-flush back to wall
Outlet	horizontal vertical 70 and 110 mm
Weight	25,0 kg
Accessories excl.	Floorstanding cistern two-part Universal, order no. 82966.0, 82966.1, 82966.3, 82966.4 Seat and cover, order no. 89395.5, 89695.0, 89896.5 Seat and cover with automatic lowering system, order no. 89160.1, 89395.9, 89695.1, 89896.6
Mounting acc. incl.	Fixing set, order no. 89175.7
Mounting acc. excl.	for horizontal outlet use standard variable connection for outlet vertical 70 mm LAUFEN-connection set, order no. 89009.2

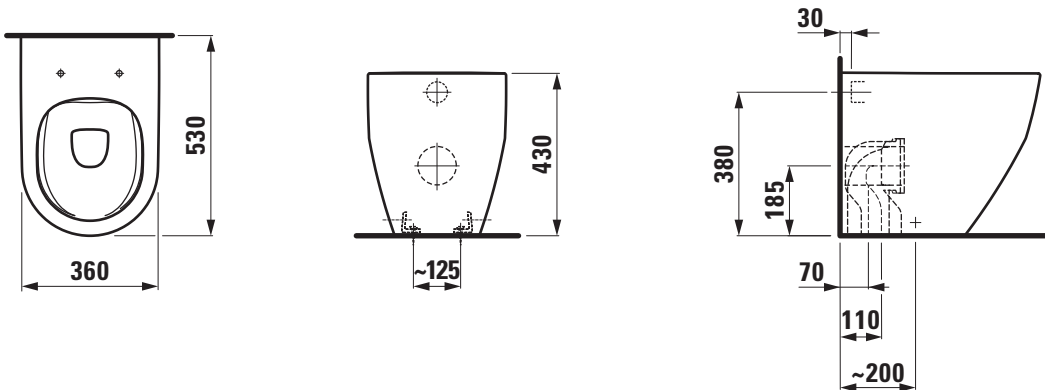
Mounting acc. excl. for outlet vertical 110 mm LAUFEN-connection set, order no. 89902.7

Colours see colour table

SPECIFICATION TEXT

Floorstanding WC pan rimless washdown LAUFEN PRO sanitary ceramic,
for concealed cistern and floorstanding cistern Universal EN 997, EN 33, min. 4,5/3-l-flush, dimensions 360 x 530 x 430 mm
outlet horizontal, vertical 70 and 110 mm
back to wall, concealed fixation
Special feature: rimless, concealed surfaces directing water are fully glazed throughout, vacuum checked
Further options / accessories: Surface refinement LCC (only white), floorstanding cistern two-part Universal 82966.0, 82966.1, 82966.3, 82966.4, WC seat and cover 89395.5, 89695.0, 89896.5, WC seat and cover with automatic lowering 89160.1, 89395.9, 89695.1, 89896.6
Order no. 82295.6

TECHNICAL DRAWINGS / S 1 : 20



SET LAUFEN PRO

Floorstanding WC pan

82295.1



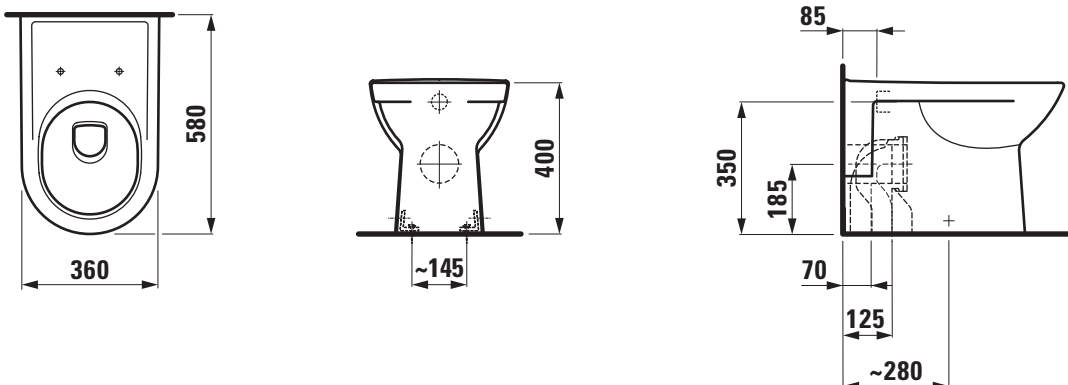
TECHNICAL DATA

Order no.	82295.1
Certified to	EN 997, EN 33
Specification	Washdown for 5,9/5-l-flush
Outlet	horizontal vertical 70 and 125 mm
Weight	21,5 kg
Accessories excl.	Seat, order no. 89295.0 Seat and cover, order no. 89195.0, 89295.1, 89395.2 Seat and cover with automatic lowering system, order no. 89195.1, 89395.8
Mounting acc. incl.	Fixing set, order no. 89175.7
Mounting acc. excl.	for horizontal outlet use standard variable connection for outlet vertical 70 mm LAUFEN-connection set, order no. 89009.2 for outlet vertical 125 mm LAUFEN-connection set, order no. 89902.7
Colours	see colour table

SPECIFICATION TEXT

Floorstanding WC pan washdown LAUFEN PRO, sanitary ceramic, for concealed cistern
EN 997, EN 33, 5,9/5-l-flush, dimensions 360 x 580 x 400 mm
outlet horizontal, vertical 70 and 125 mm
back to wall, concealed fixation
Special feature: concealed surfaces directing water are fully glazed throughout, vacuum checked
Further options / accessories: Surface refinement LCC (only white), WC seat 89295.0, WC seat and cover 89195.0, 89295.1, 89395.2, WC seat and cover with automatic lowering 89195.1, 89395.8
Order no. 82295.1

TECHNICAL DRAWINGS / S 1 : 20



SET LAUFEN PRO
Floorstanding WC pan
82195.6



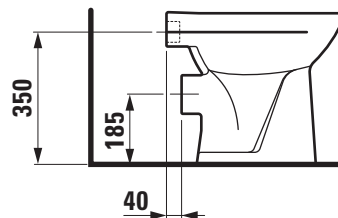
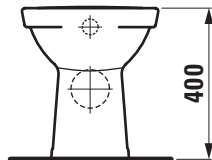
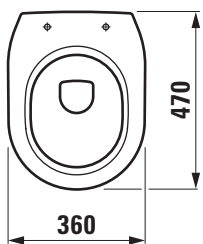
TECHNICAL DATA

Order no.	82195.6
Certified to	EN 997, EN 33
Specification	Washdown for 6/3-l-flush
Outlet	horizontal
Weight	13,8 kg
Accessories excl.	Seat 89295.0 Seat and cover, order no. 89195.0, 89295.1, 89395.2 Seat and cover with automatic lowering system, order no. 89195.1, 89395.8
Colours	see colour table

SPECIFICATION TEXT

Floorstanding WC pan washdown LAUFEN PRO, sanitary ceramic, for cistern wall mounted
 EN 997, EN 33, 6/3-l-flush, dimensions 360 x 470 x 400 mm
 outlet horizontal
 Special feature: concealed surfaces directing water are fully glazed throughout, vacuum checked
 Further options / accessories: Surface refinement LCC (only white), WC seat 89295.0, WC seat and cover, 89195.0, 89295.1, 89395.2, WC seat and cover with automatic lowering 89195.1, 89395.8
 Order no. 82195.6

TECHNICAL DRAWINGS / S 1 : 20



SET LAUFEN PRO

Floorstanding WC pan

82195.8



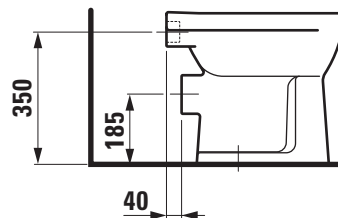
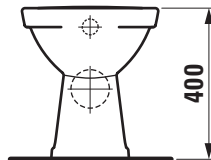
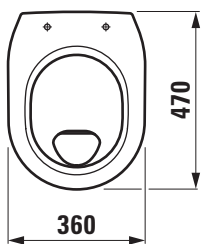
TECHNICAL DATA

Order no.	82195.8
Certified to	EN 997, EN 33
Specification	Washout for 6/3-l-flush
Outlet	horizontal
Weight	13,9 kg
Accessories excl.	Seat 89295.0 Seat and cover, order no. 89195.0, 89295.1, 89395.2 Seat and cover with automatic lowering system, order no. 89195.1, 89395.8
Colours	see colour table

SPECIFICATION TEXT

Floorstanding WC pan washout LAUFEN PRO, sanitary ceramic, for cistern wall mounted
EN 997, EN 33, 6/3-l-flush, dimensions 360 x 470 x 400 mm
outlet horizontal
Special feature: concealed surfaces directing water are fully glazed throughout, vacuum checked
Further options / accessories: Surface refinement LCC (only white), WC seat 89295.0, WC seat and cover, 89195.0, 89295.1, 89395.2, WC seat and cover with automatic lowering 89195.1, 89395.8
Order no. 82195.8

TECHNICAL DRAWINGS / S 1 : 20





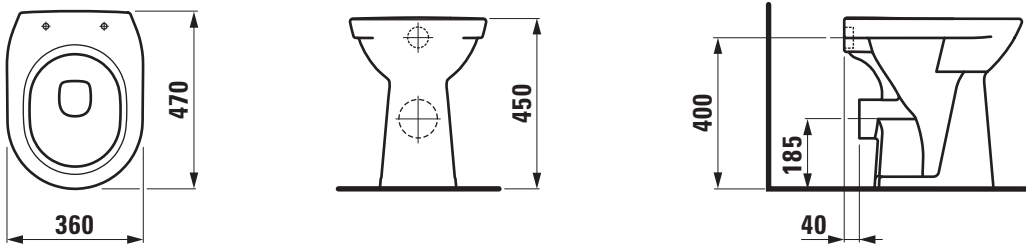
TECHNICAL DATA

Order no.	82595.5
Certified to	EN 997, EN 33
Specification	Washdown for 6/3-l-flush, ceramic height 450 mm Charge 000 – 2 fixing holes
Special specification	Charge 204 – 4 fixing holes
Outlet	horizontal
Weight	15,1 kg
Accessories excl.	Seat 89295.0 Seat and cover, order no. 89195.0, 89295.1, 89395.2 Seat and cover with automatic lowering system, order no. 89195.1, 89395.8
Colours	see colour table

SPECIFICATION TEXT

Raised Floorstanding WC pan washdown LAUFEN PRO, sanitary ceramic, for cistern wall mounted
 EN 997, EN 33, 6/3-l-flush, dimensions 360 x 470 x 450 mm
 outlet horizontal
 ceramic height 450 mm, 2 fixing holes
 Special feature: concealed surfaces directing water are fully glazed throughout, vacuum checked
 Further options / accessories: Surface refinement LCC (only white), 4 fixing holes, WC seat 89295.0, WC seat and cover, 89195.0, 89295.1, 89395.2, WC seat and cover with automatic lowering 89195.1, 89395.8
 Order no. 82595.5

TECHNICAL DRAWINGS / S 1 : 20





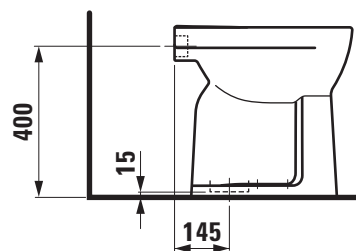
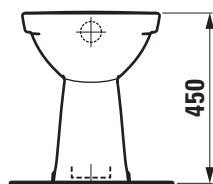
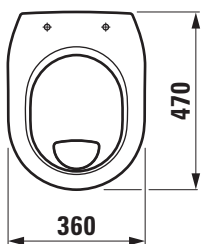
TECHNICAL DATA

Order no.	82595.7
Certified to	EN 997, EN 33
Specification	Washout for 6/3-l-flush, ceramic height 450 mm Charge 000 – 2 fixing holes
Special specification	Charge 204 – 4 fixing holes
Outlet	vertical
Weight	16,6 kg
Accessories excl.	Seat 89295.0 Seat and cover, order no. 89195.0, 89295.1, 89395.2 Seat and cover with automatic lowering system, order no. 89195.1, 89395.8
Colours	see colour table

SPECIFICATION TEXT

Raised Floorstanding WC pan washout LAUFEN PRO, sanitary ceramic, for cistern wall mounted
EN 997, EN 33, 6/3-l-flush, dimensions 360 x 470 x 450 mm
outlet vertical
ceramic height 450 mm, 2 fixing holes
Special feature: concealed surfaces directing water are fully glazed throughout, vacuum checked
Further options / accessories: Surface refinement LCC (only white), 4 fixing holes, WC seat 89295.0, WC seat and cover, 89195.0, 89295.1, 89395.2, WC seat and cover with automatic lowering 89195.1, 89395.8
Order no. 82595.7

TECHNICAL DRAWINGS / S 1 : 20



SET LAUFEN PRO

Floorstanding WC pan

82195.7



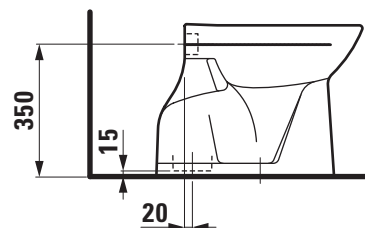
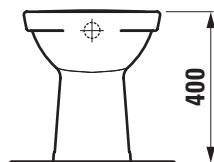
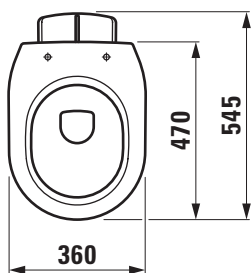
TECHNICAL DATA

Order no.	82195.7
Certified to	EN 997, EN 33
Specification	Washdown for 6/3-l-flush
Outlet	vertical
Weight	16,4 kg
Accessories excl.	Seat 89295.0 Seat and cover, order no. 89195.0, 89295.1, 89395.2 Seat and cover with automatic lowering system, order no. 89195.1, 89395.8
Colours	see colour table

SPECIFICATION TEXT

Floorstanding WC pan washdown LAUFEN PRO, sanitary ceramic, for for cistern wall mounted
EN 997, EN 33, 6/3-l-flush, dimensions 360 x 545 x 400 mm
outlet vertical
Special feature: concealed surfaces directing water are fully glazed throughout, vacuum checked
Further options / accessories: Surface refinement LCC (only white), WC seat 89295.0, WC seat and cover, 89195.0, 89295.1, 89395.2, WC seat and cover with automatic lowering 89195.1, 89395.8
Order no. 82195.7

TECHNICAL DRAWINGS / S 1 : 20



SET LAUFEN PRO

Floorstanding WC pan

82195.9



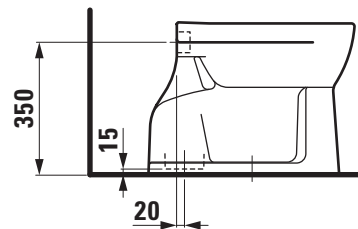
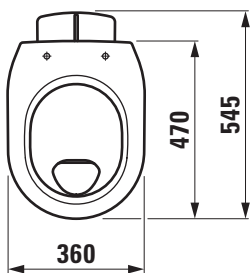
TECHNICAL DATA

Order no.	82195.9
Certified to	EN 997, EN 33
Specification	Washout for 6/3-l-flush
Outlet	vertical
Weight	16,6 kg
Accessories excl.	Seat 89295.0 Seat and cover, order no. 89195.0, 89295.1, 89395.2 Seat and cover with automatic lowering system, order no. 89195.1, 89395.8
Colours	see colour table

SPECIFICATION TEXT

Floorstanding WC pan washout LAUFEN PRO, sanitary ceramic, for cistern wall mounted
EN 997, EN 33, 6/3-l-flush, dimensions 360 x 545 x 400 mm
outlet vertical
Special feature: concealed surfaces directing water are fully glazed throughout, vacuum checked
Further options / accessories: Surface refinement LCC (only white), WC seat 89295.0, WC seat and cover, 89195.0, 89295.1, 89395.2, WC seat and cover with automatic lowering 89195.1, 89395.8
Order no. 82195.9

TECHNICAL DRAWINGS / S 1 : 20





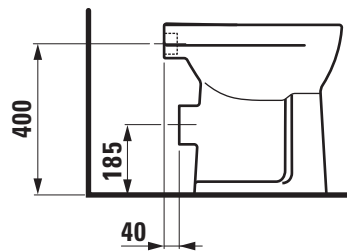
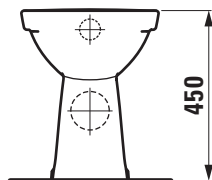
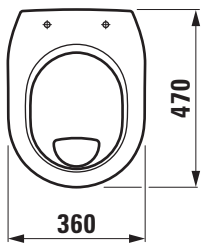
TECHNICAL DATA

Order no.	82595.6
Certified to	EN 997, EN 33
Specification	Washout for 6/3-l-flush, ceramic height 450 mm Charge 000 – 2 fixing holes
Special specification	Charge 204 – 4 fixing holes
Outlet	horizontal
Weight	13,9 kg
Accessories excl.	Seat 89295.0 Seat and cover, order no. 89195.0, 89295.1, 89395.2 Seat and cover with automatic lowering system, order no. 89195.1, 89395.8
Colours	see colour table

SPECIFICATION TEXT

Raised Floorstanding WC pan washout LAUFEN PRO, sanitary ceramic, for cistern wall mounted
 EN 997, EN 33, 6/3-l-flush, dimensions 360 x 470 x 450 mm
 outlet horizontal
 ceramic height 450 mm, 2 fixing holes
 Special feature: concealed surfaces directing water are fully glazed throughout, vacuum checked
 Further options / accessories: Surface refinement LCC (only white), 4 fixing holes, WC seat 89295.0, WC seat and cover, 89195.0, 89295.1, 89395.2, WC seat and cover with automatic lowering 89195.1, 89395.8
 Order no. 82595.6

TECHNICAL DRAWINGS / S 1 : 20





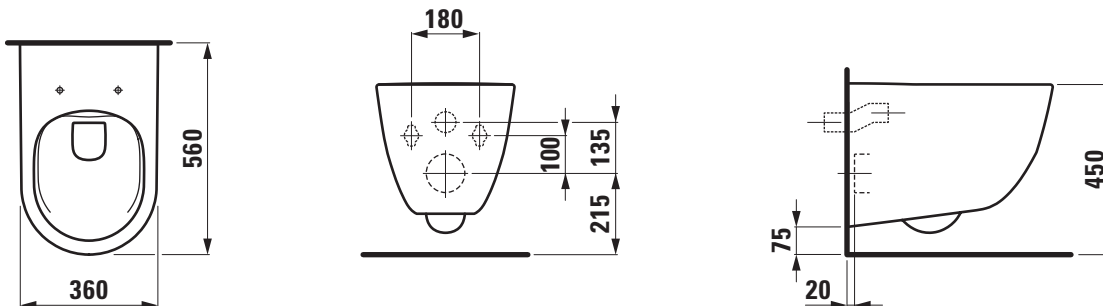
TECHNICAL DATA

Order no.	82196.2
Certified to	EN 997 / EN 33
Specification	rimless Washdown for 4,5/3-l-flush
Outlet	horizontal
Weight	28,0 kg
Accessories excl.	Seat, order no. 89395.7 Seat and cover, order no. 89395.2, 89395.5, 89695.0, 89896.0, 89896.5 Seat with automatic lowering system, order no. 89895.1 Seat and cover with automatic lowering system, order no. 89160.1, 89395.9, 89695.1, 89895.0, 89896.6
Mounting acc. incl.	laufen EasyFit system M12, order no. 89282.7
Mounting acc. incl.	Water inlet pipe, order no. 89325.7
Colours	see colour table

SPECIFICATION TEXT

Comfort wallhung WC rimless washdown Laufen-PRO, sanitary ceramic, for concealed cistern
EN 997, EN 33, 4,5/3-l-flush, dimensions 360 x 560 x 375 mm
elevated a seated height with WC seat of 480 mm
concealed trap, concealed fixation
Special feature: rimless, concealed surfaces directing water are fully glazed throughout, closed water rim, vacuum checked
Further options / accessories: Surface refinement LCC (only white), WC Seat 89395.7, WC seat and cover 89395.2, 89395.5, 89695.0, 89896.0, 89896.5, Seat with automatic lowering system 89895.1, WC seat and cover with automatic lowering 89160.1, 89395.9, 89695.1, 89895.0, 89896.6
Order no. 82196.2

TECHNICAL DRAWINGS / S 1 : 20



SET LAUFEN PRO

Wallhung WC rimless

82096.6



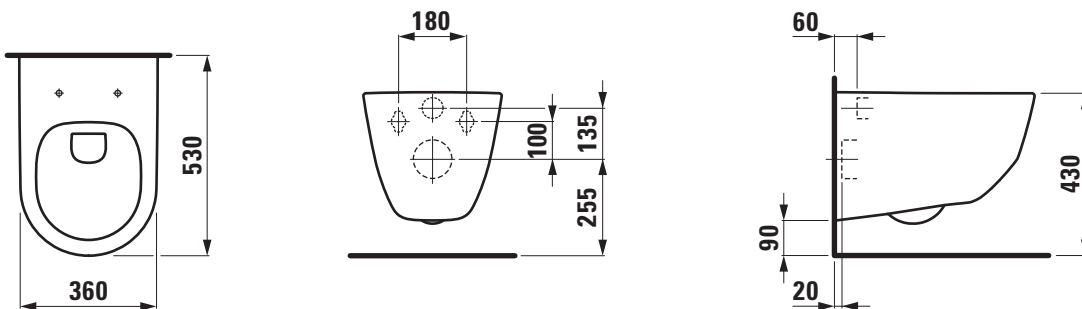
TECHNICAL DATA

Order no.	82096.6
Certified to	EN 977, EN 33
Specification	rimless Washdown for 4,5/3-l-flush
Weight	22,0 kg
Accessories excl.	Seat, order no. 89395.7 Seat and cover, order no. 89395.2, 89395.5, 89695.0, 89896.0, 89896.5 Seat with automatic lowering system, order no. 89895.1 Seat and cover with automatic lowering system, order no. 89160.1, 89395.9, 89695.1, 89895.0, 89896.6
Mounting acc. incl.	laufen EasyFit system M12, order no. 89282.7
Mounting acc. excl.	Stone screw fastening kit M12
Colours	see colour table

SPECIFICATION TEXT

Wallhung WC rimless, washdown LAUFEN PRO, sanitary ceramic, for concealed cistern
EN 977, EN 33, 4,5/3-l-flush, dimensions 360 x 530 x 340 mm
concealed trap, concealed fixation
Special feature: rimless, concealed surfaces directing water are fully glazed throughout, vacuum checked
Further options / accessories: Surface refinement LCC (only white), WC Seat 89395.7, WC seat and cover 89395.2, 89395.5, 89695.0, 89896.0, 89896.5, Seat with automatic lowering system 89895.1, WC seat and cover with automatic lowering 89160.1, 89395.9, 89695.1, 89895.0, 89896.6
Order no. 82096.6

TECHNICAL DRAWINGS / S 1 : 20



SET LAUFEN PRO

Wallhung WC rimless

82096.4



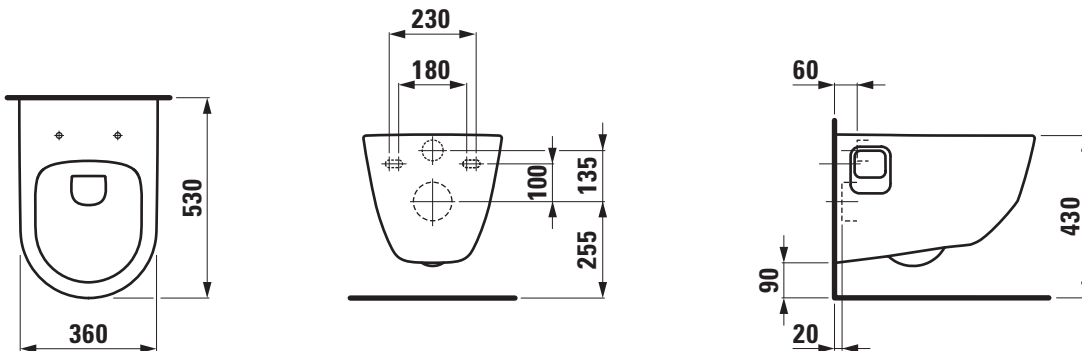
TECHNICAL DATA

Order no.	82096.4
Certified to	EN 33
Specification	rimless Washdown for 4,5/3-l-flush
Weight	21,0 kg
Accessories excl.	Seat and cover, order no. 89395.5, 89695.0, 89896.5 Seat and cover with automatic lowering system, order no. 89160.1, 89395.9, 89695.1, 89896.6
Colours	see colour table

SPECIFICATION TEXT

Wallhung WC rimless, washdown LAUFEN PRO, sanitary ceramic, for concealed cistern
EN 33, 4,5/3-l-flush, dimensions 360 x 530 x 340 mm
concealed trap, with lateral niches
Special feature: rimless, concealed surfaces directing water are fully glazed throughout, vacuum checked
Further options / accessories: Surface refinement LCC (only white), WC seat and cover 89395.5, 89695.0, 89896.5
WC seat and cover with automatic lowering 89160.1, 89395.9, 89695.1, 89896.6
Order no. 82096.4

TECHNICAL DRAWINGS / S 1 : 20





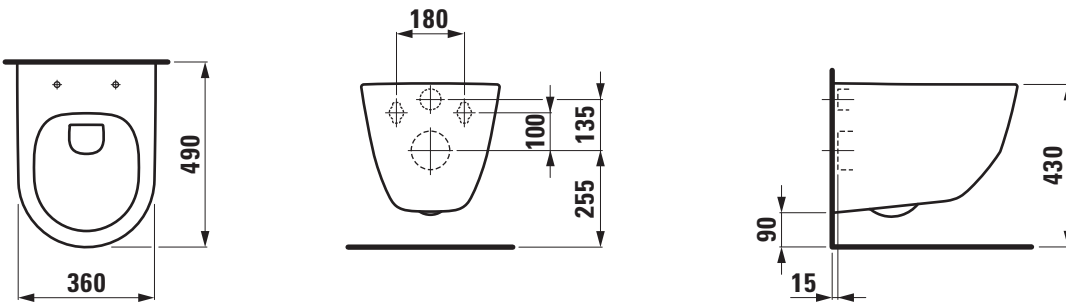
TECHNICAL DATA

Order no.	82096.5
Certified to	EN 997, EN 33
Specification	rimless Washdown for 4,5/3-l-flush
Weight	21,0 kg
Accessories excl.	Seat and cover, order no. 89395.5, 89695.0, 89896.5 Seat and cover with automatic lowering system, order no. 89160.1, 89395.9, 89695.1, 89896.6
Mounting acc. incl.	laufen EasyFit system M12, order no. 89282.7
Mounting acc. excl.	Stone screw fastening kit M12
Colours	see colour table

SPECIFICATION TEXT

Compact wallhung WC rimless, washdown LAUFEN PRO, sanitary ceramic,
for concealed cistern
EN 997, EN 33, 4,5/3-l-flush, dimensions 360 x 490 x 340 mm
concealed trap, concealed fixation
Special feature: rimless, concealed surfaces directing water are fully glazed throughout, vacuum checked
Further options / accessories: Surface refinement LCC (only white),
WC seat and cover 89395.5, 89695.0, 89896.5
WC seat and cover with automatic lowering 89160.1, 89395.9, 89695.1, 89896.6
Order no. 82096.5

TECHNICAL DRAWINGS / S 1 : 20



SET LAUFEN PRO

Wallhung WC pan

82095.6



TECHNICAL DATA

Order no.	82095.6
Certified to	EN 997, EN 33
Specification	Washdown for 5/3-l-flush
Weight	21,0 kg
Accessories excl.	Seat and cover, order no. 89395.5, 89695.0, 89896.5 Seat and cover with automatic lowering system, order no. 89160.1, 89395.9, 89695.1, 89896.6
Mounting acc. incl.	laufen EasyFit system M12, order no. 89282.7
Mounting acc. excl.	Stone screw fastening kit M12
Colours	see colour table

SPECIFICATION TEXT

Wallhung WC pan washdown LAUFEN PRO, sanitary ceramic, for concealed cistern

EN 997, EN 33, 5/3-l-flush, dimensions 360 x 530 x 340 mm
concealed trap, concealed fixation

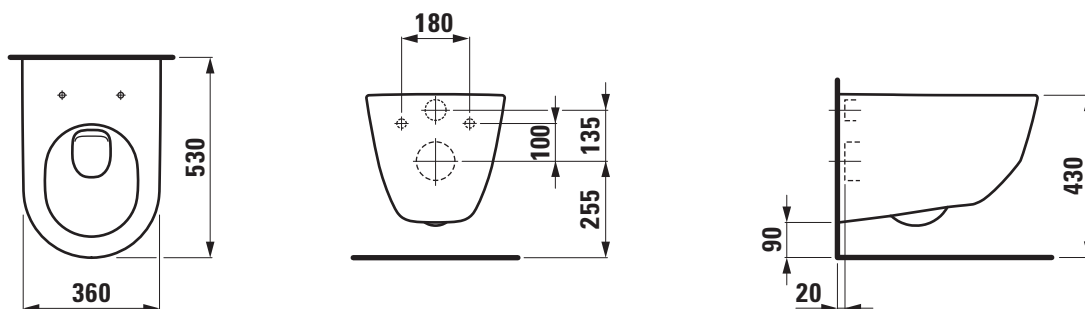
Special feature: concealed surfaces directing water are fully glazed throughout, vacuum checked

Further options / accessories: Surface refinement LCC (only white), WC seat and cover 89395.5, 89695.0, 89896.5

WC seat and cover with automatic lowering 89160.1, 89395.9, 89695.1, 89896.6

Order no. 82095.6

TECHNICAL DRAWINGS / S 1 : 20



SET LAUFEN PRO

Wallhung WC pan

82095.9



TECHNICAL DATA

Order no.	82095.9
Certified to	EN 997, EN 33
Specification	Washout for 5/3-l-flush
Weight	23,5 kg
Accessories excl.	Seat and cover, order no. 89395.5, 89695.0, 89896.5 Seat and cover with automatic lowering system, order no. 89160.1, 89395.9, 89695.1, 89896.6
Mounting acc. incl.	laufen EasyFit system M12, order no. 89282.7
Mounting acc. excl.	Stone screw fastening kit M12
Colours	see colour table

SPECIFICATION TEXT

Wallhung WC pan, washout LAUFEN PRO, sanitary ceramic, for concealed cistern

EN 997, EN 33, 5/3-l-flush, dimensions 360 x 530 x 350 mm
concealed trap, concealed fixation

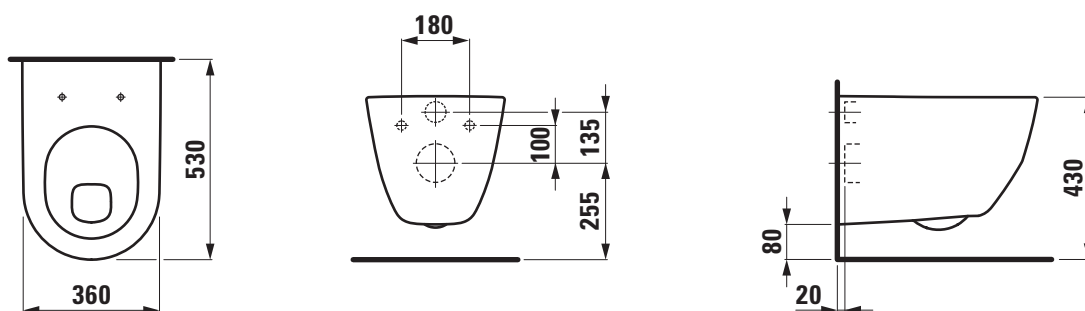
Special feature: concealed surfaces directing water are fully glazed throughout, vacuum checked

Further options / accessories: Surface refinement LCC (only white), WC seat and cover 89395.5, 89695.0, 89896.5

WC seat and cover with automatic lowering 89160.1, 89395.9, 89695.1, 89896.6

Order no. 82095.9

TECHNICAL DRAWINGS / S 1 : 20



SET LAUFEN PRO

Wallhung WC rimless

82096.0



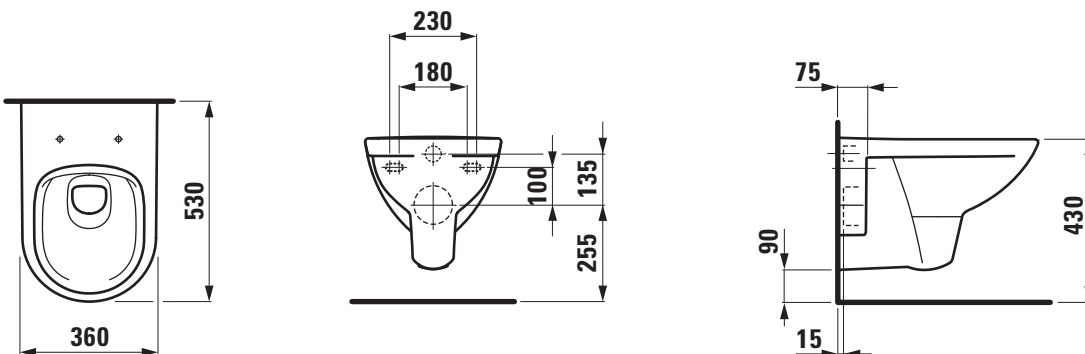
TECHNICAL DATA

Order no.	82096.0
Certified to	EN 997, EN 33
Specification	rimless Washdown for min. 4,5/3-l-flush
Weight	17,8 kg
Accessories excl.	Seat and cover, order no. 89395.5, 89695.0, 89896.5 Seat and cover with automatic lowering system, order no. 89160.1, 89395.9, 89695.1, 89896.6
Colours	see colour table

SPECIFICATION TEXT

Wallhung WC rimless, washdown LAUFEN PRO, sanitary ceramic, for concealed cistern
 EN 997, EN 33, min. 4,5/3-l-flush, dimensions 360 x 530 x 340 mm
 Special feature: rimless, concealed surfaces directing water are fully glazed throughout, vacuum checked
 Further options / accessories: Surface refinement LCC (only white), WC seat and cover, 89395.5, 89695.0, 89896.5
 WC seat and cover with automatic lowering 89160.1, 89395.9, 89695.1, 89896.6
 Order no. 82096.0

TECHNICAL DRAWINGS / S 1 : 20



SET LAUFEN PRO

Wallhung WC pan 82095.0



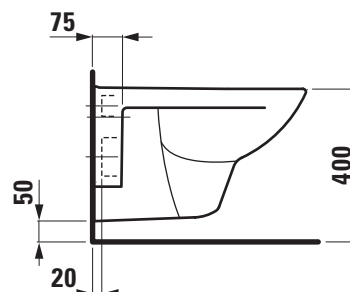
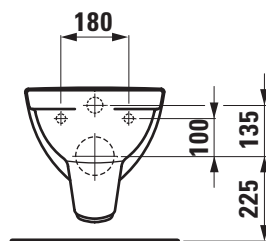
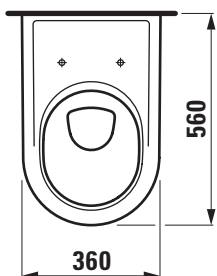
TECHNICAL DATA

Order no.	82095.0
Certified to	EN 997, EN 33
Specification	Washdown for 5,9/5-l-flush
Weight	17,4 kg
Accessories excl.	Seat, order no. 89295.0 Seat and cover, order no. 89195.0, 89295.1, 89395.2 Seat and cover with automatic lowering system, order no. 89195.1, 89395.8
Colours	see colour table

SPECIFICATION TEXT

Wallhung WC pan washdown LAUFEN PRO, sanitary ceramic, for concealed cistern
EN 997, EN 33, 5,9/5-l-flush, dimensions 360 x 560 x 350 mm
Special feature: concealed surfaces directing water are fully glazed throughout, vacuum checked
Further options / accessories: Surface refinement LCC (only white), WC seat 89295.0, WC seat and cover 89195.0, 89295.1, 89395.2, WC seat and cover with automatic lowering 89195.1, 89395.8
Order no. 82095.0

TECHNICAL DRAWINGS / S 1 : 20



SET LAUFEN PRO

Wallhung WC pan 82095.1



TECHNICAL DATA

Order no.	82095.1
Certified to	EN 997, EN 33
Specification	Washout for 6/3-l-flush
Weight	18,5 kg
Accessories excl.	Seat, order no. 89295.0 Seat and cover, order no. 89195.0, 89295.1, 89395.2 Seat and cover with automatic lowering system, order no. 89195.1, 89395.8
Colours	see colour table

SPECIFICATION TEXT

Wallhung WC pan washout LAUFEN PRO, sanitary ceramic, for concealed cistern

EN 997, EN 33, 6/3-l-flush, dimensions 360 x 560 x 350 mm

Special feature: concealed surfaces directing water are fully glazed throughout, vacuum checked

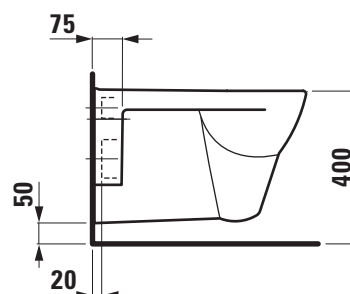
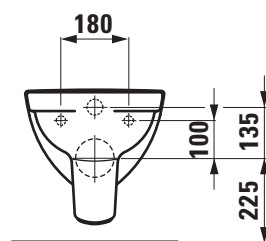
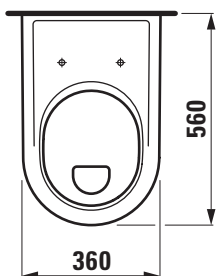
Further options / accessories: Surface refinement LCC (only white),

WC seat 89295.0, WC seat and cover 89195.0, 89295.1, 89395.2,

WC seat and cover with automatic lowering 89195.1, 89395.8

Order no. 82095.1

TECHNICAL DRAWINGS / S 1 : 20





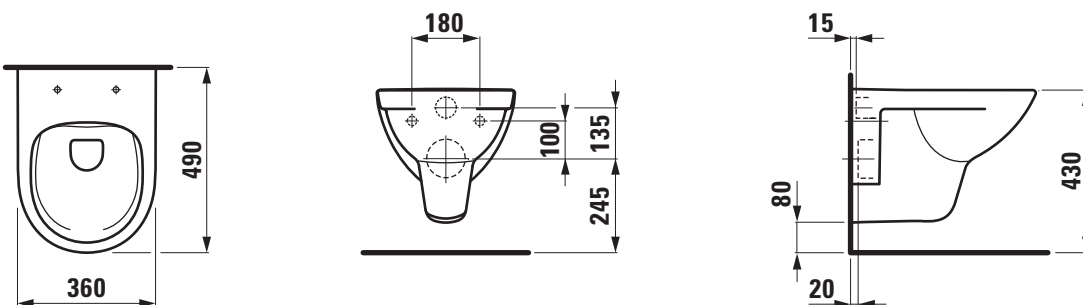
TECHNICAL DATA

Order no.	82195.2
Certified to	EN 997, EN 33
Specification	rimless Washdown for 5/3-l-flush
Weight	17,0 kg
Accessories excl.	Seat, order no. 89295.0 Seat and cover, order no. 89195.0, 89295.1, 89395.2 Seat and cover with automatic lowering system, order no. 89195.1, 89395.8
Colours	see colour table

SPECIFICATION TEXT

Compact wallhung WC rimless washdown LAUFEN PRO, sanitary ceramic, for concealed cistern
EN 997, EN 33, 5/3-l-flush, dimensions 360 x 490 x 350 mm
Special feature: rimless, concealed surfaces directing water are fully glazed throughout, vacuum checked
Further options / accessories: Surface refinement LCC (only white), WC seat 89295.0, WC seat and cover 89195.0, 89295.1, 89395.2, WC seat and cover with automatic lowering 89195.1, 89395.8
Order no. 82195.2

TECHNICAL DRAWINGS / S 1 : 20



SET LAUFEN PRO

Seat and cover slim

89896.5



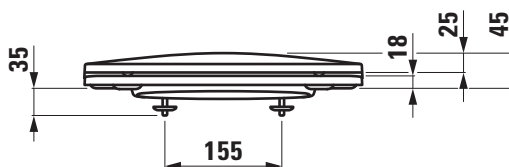
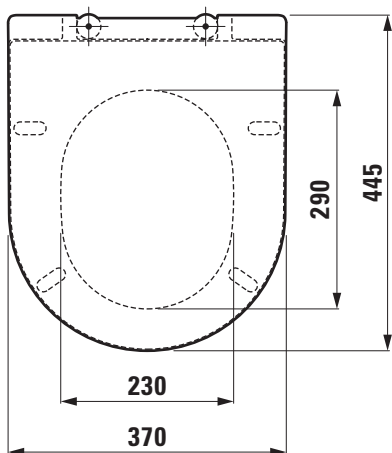
TECHNICAL DATA

Order no.	89896.5
matching for	Floorstanding WC pan, order no. 82295.2, 82295.6, 82495.5, 82595.1, 82595.2, 82595.8, 82596.2, 82596.4 Wallhung WC pan, order no. 82095.6, 82095.9, 82096.0, 82096.4, 82096.5, 82096.6, 82196.2 Wallhung separation toilet Save!, order no. 82066.2
Specification	removable with hollow space fixation
Weight	2,0 kg
Mounting acc.	included
Colours	see colour table

SPECIFICATION TEXT

WC seat and cover slim LAUFEN PRO, Duroplast
hollow space fixation, removable
matching floorstanding WC pan, order no. 82295.2, 82295.6, 82495.5, 82595.1, 82595.2, 82595.8, 82596.2, 82596.4, wallhung WC pan, order no. 82095.6, 82095.9, 82096.0, 82096.4, 82096.5, 82096.6, 82196.2 and wallhung separation toilet Save!, order no. 82066.2
Order no. 89896.5

TECHNICAL DRAWINGS / S 1 : 10



Seat and cover slim with automatic lowering system
89896.6



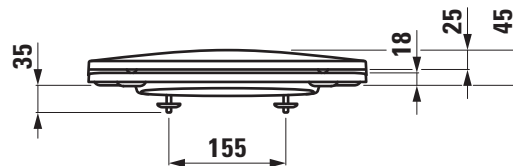
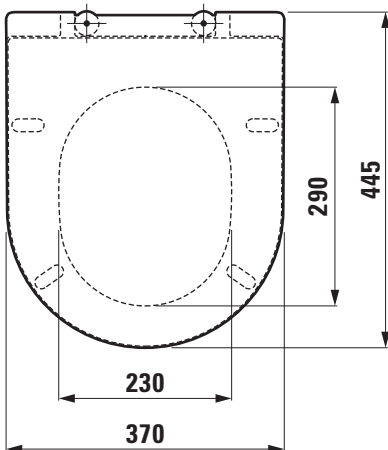
TECHNICAL DATA

Order no.	89896.6
matching for	Floorstanding WC pan, order no. 82295.2, 82295.6, 82495.5, 82595.1, 82595.2, 82595.8, 82596.2, 82596.4 Wallhung WC pan, order no. 82095.6, 82095.9, 82096.0, 82096.4, 82096.5, 82096.6, 82196.2 Wallhung separation toilet Save!, order no. 82066.2
Specification	removable with hollow space fixation with automatic lowering system
Weight	2,0 kg
Mounting acc.	included
Colours	see colour table

SPECIFICATION TEXT

WC seat and cover slim LAUFEN PRO, Duroplast hollow space fixation, removable, automatic lowering system matching floorstanding WC pan, order no. 82295.2, 82295.6, 82495.5, 82595.1, 82595.2, 82595.8, 82596.2, 82596.4, wallhung WC pan, order no. 82095.6, 82095.9, 82096.0, 82096.4, 82096.5, 82096.6, 82196.2 and wallhung separation toilet Save!, order no. 82066.2
 Order no. 89896.6

TECHNICAL DRAWINGS / S 1 : 10



SET LAUFEN PRO

Seat and cover slim

89896.0



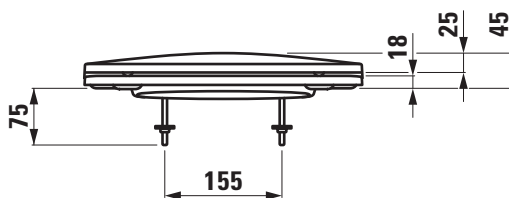
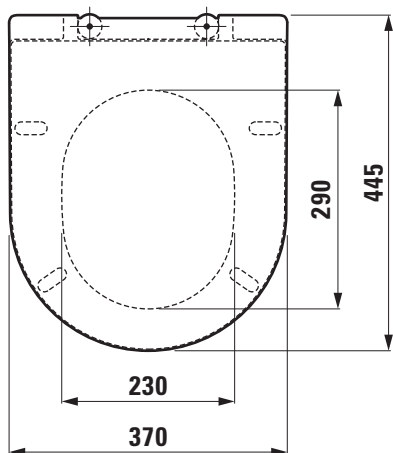
TECHNICAL DATA

Order no.	89896.0
matching for	Floorstanding WC pan, order no. 82195.7, 82195.8, 82195.9, 82295.1, 82295.2, 82295.6, 82495.5, 82495.6, 82495.7, 82495.8, 82495.9, 82595.1, 82595.2, 82595.5, 82595.6, 82595.7, 82595.8, 82596.2, 82596.4 Wallhung WC pan, order no. 82095.0, 82095.6, 82095.9, 82096.0, 82096.4, 82096.5, 82096.6, 82195.2, 82196.0, 82196.2
Specification	fixed stainless steel temple hinges fixation from top, not removable without tool
Weight	2,0 kg
Mounting acc.	included
Colours	see colour table

SPECIFICATION TEXT

WC seat and cover slim LAUFEN PRO, Duroplast removable
matching floorstanding WC pan, order no. 82195.7, 82195.8, 82195.9, 82295.1, 82295.2, 82295.6, 82495.5, 82495.6, 82495.7, 82495.8, 82495.9, 82595.1, 82595.2, 82595.5, 82595.6, 82595.7, 82595.8, 82596.2, 82596.4 and wallhung WC pan, order no. 82095.0, 82095.6, 82095.9, 82096.0, 82096.4, 82096.5, 82096.6, 82195.2, 82196.0, 82196.2
Order no. 89896.0

TECHNICAL DRAWINGS / S 1 : 10



Seat and cover slim with automatic lowering system
89896.9



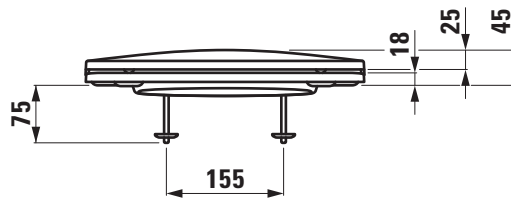
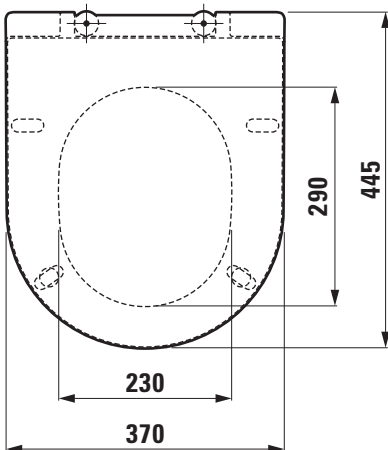
TECHNICAL DATA

Order no.	89896.9
matching for	Floorstanding WC pan, order no. 82595.1 Wallhung WC pan, order no. 82095.0, 82095.1
Specification	removable with automatic lowering system
Weight	2,0 kg
Mounting acc.	included
Colours	see colour table

SPECIFICATION TEXT

WC seat and cover slim LAUFEN PRO, Duroplast removable, automatic lowering system matching floorstanding WC pan, order no. 82595.1 and wallhung WC pan, order no. 82095.0, 82095.1
 Order no. 89896.9

TECHNICAL DRAWINGS / S 1 : 10



SET LAUFEN PRO

Seat and cover Special

89695.0



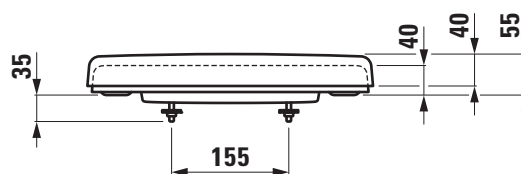
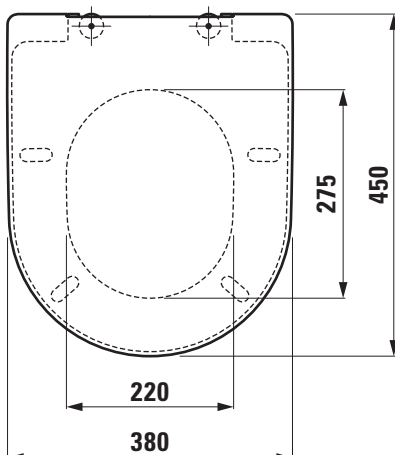
TECHNICAL DATA

Order no.	89695.0
matching for	Floorstanding WC pan, order no. 82295.2, 82295.6, 82595.1, 82595.2, 82595.8, 82596.2, 82596.4 Wallhung WC pan, order no. 82095.6, 82095.9, 82096.0, 82096.4, 82096.5, 82096.6, 82196.2 Wallhung separation toilet Save!, order no. 82066.2
Specification	removable with hollow space fixation
Weight	1,9 kg
Mounting acc.	included
Colours	see colour table

SPECIFICATION TEXT

WC seat and cover Spezial LAUFEN PRO, Duroplast
hollow space fixation, removable
matching floorstanding WC pan, order no. 82295.2, 82295.6, 82595.1, 82595.2, 82595.8, 82596.2, 82596.4, wallhung WC pan, order no. 82095.6, 82095.9, 82096.0, 82096.4, 82096.5, 82096.6, 82196.2 and
wallhung separation toilet Save!, order no. 82066.2
Order no. 89695.0

TECHNICAL DRAWINGS / S 1 : 10



Seat and cover Special with automatic lowering system
89695.1



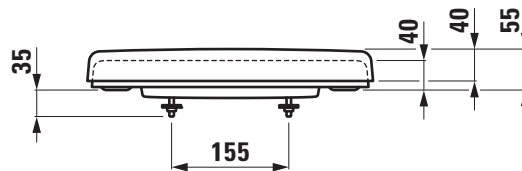
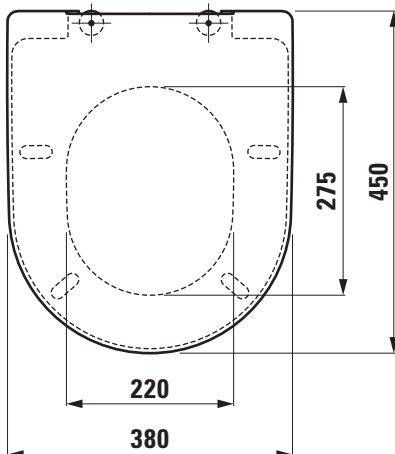
TECHNICAL DATA

Order no.	89695.1
matching for	Floorstanding WC pan, order no. 82295.2, 82295.6, 82595.1, 82595.2, 82595.8, 82596.2, 82596.4 Wallhung WC pan, order no. 82095.6, 82095.9, 82096.0, 82096.4, 82096.5, 82096.6, 82196.2 Wallhung separation toilet Save!, order no. 82066.2
Specification	removable with hollow space fixation with automatic lowering system
Weight	1,9 kg
Mounting acc.	included
Colours	see colour table

SPECIFICATION TEXT

WC seat and cover LAUFEN PRO, Duroplast hollow space fixation, removable , automatic lowering system matching floorstanding WC pan, order no. 82295.2, 82295.6, 82595.1, 82595.2, 82595.8, 82596.2, 82596.4, wallhung WC pan, order no. 82095.6, 82095.9, 82096.0, 82096.4, 82096.5, 82096.6, 82196.2 and wallhung separation toilet Save!, order no. 82066.2
 Order no. 89695.1

TECHNICAL DRAWINGS / S 1 : 10



SET LAUFEN PRO

Seat and cover Special

89195.0



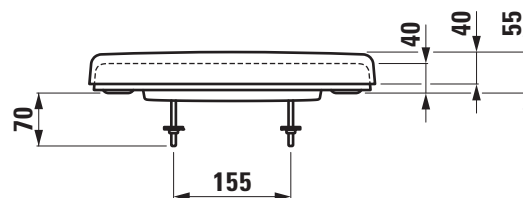
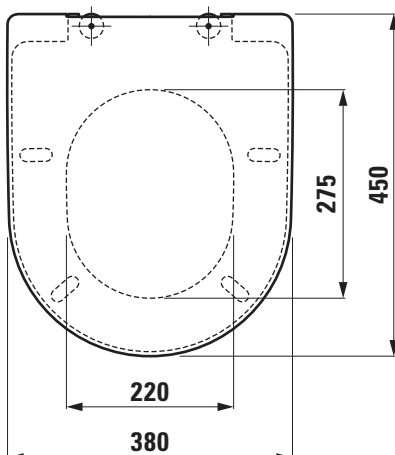
TECHNICAL DATA

Order no.	89195.0
matching for	Floorstanding WC pan, order no. 82195.6, 82195.7, 82195.8, 82195.9, 82295.1, 82495.5, 82495.6, 82495.7, 82495.8, 82495.9, 82595.5, 82595.6, 82595.7 Wallhung WC pan, order no. 82095.0, 82095.1, 82095.3, 82095.4, 82195.2, 82195.4
Specification	removable
Weight	1,9 kg
Mounting acc.	included
Colours	see colour table

SPECIFICATION TEXT

WC seat and cover Spezial LAUFEN PRO, Duroplast removable
 matching floorstanding WC pan, order no. 82195.6, 82195.7, 82195.8, 82195.9, 82295.1, 82495.5, 82495.6, 82495.7, 82495.8, 82495.9, 82595.5, 82595.6, 82595.7 and
 wallhung WC pan, order no. 82095.0, 82095.1, 82095.3, 82095.4, 82195.2, 82195.4
 Order no. 89195.0

TECHNICAL DRAWINGS / S 1 : 10



**Seat and cover Special with automatic lowering system
89195.1**



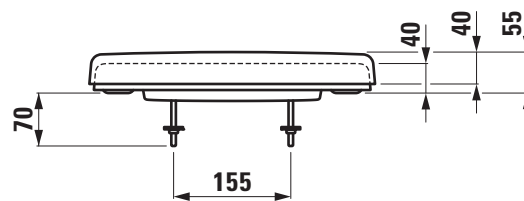
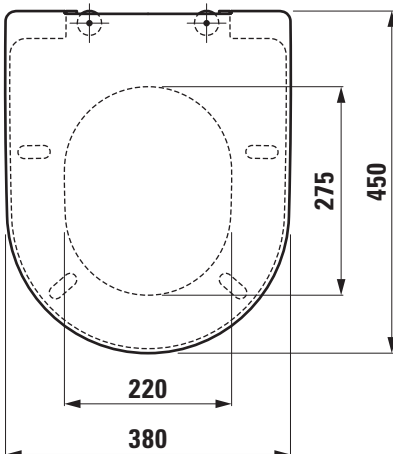
TECHNICAL DATA

Order no.	89195.1
matching for	Floorstanding WC pan, order no. 82195.6, 82195.7, 82195.8, 82195.9, 82295.1, 82495.5, 82495.6, 82495.7, 82495.8, 82495.9, 82595.5, 82595.6, 82595.7 Wallhung WC pan, order no. 82095.0, 82095.1, 82195.2
Specification	removable with automatic lowering system
Weight	1,9 kg
Mounting acc.	included
Colours	see colour table

SPECIFICATION TEXT

WC seat and cover Spezial LAUFEN PRO, Duroplast removable, automatic lowering system
matching floorstanding WC pan, order no. 82195.6, 82195.7, 82195.8, 82195.9, 82295.1, 82495.5, 82495.6, 82495.7, 82495.8, 82495.9, 82595.5, 82595.6, 82595.7 and
wallhung WC pan, order no. 82095.0, 82095.1, 82195.2
Order no. 89195.1

TECHNICAL DRAWINGS / S 1 : 10



**Seat and cover with automatic lowering system
89160.1**



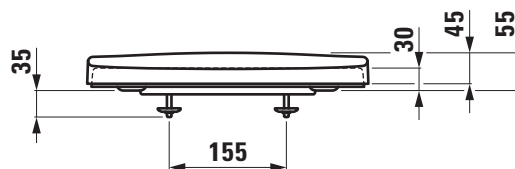
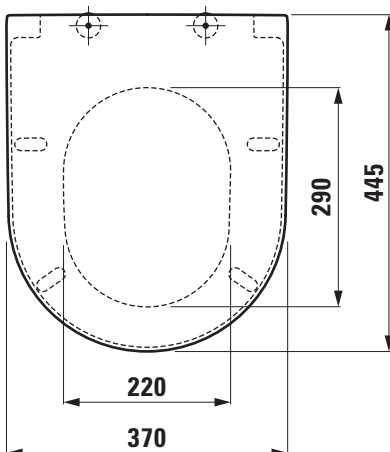
TECHNICAL DATA

Order no.	89160.1
matching for	Shower toilet, rimless, wall-hung, Cleanet Navia, order no. 82060.1 Floorstanding WC pan Laufen Pro, order no. 82295.2, 82295.6, 82495.5, 82595.1, 82595.2, 82595.8, 82596.2, 82596.4 Wallhung WC pan Laufen Pro, order no. 82095.6, 82095.9, 82096.0, 82096.4, 82096.5, 82096.6, 82196.2 Wallhung separation toilet Save!, order no. 82066.2
Specification	removable with automatic lowering system
Weight	2,5 kg
Mounting acc.	included
Colours	see colour table

SPECIFICATION TEXT

WC seat and cover LAUFEN PRO, Duroplast removable, automatic lowering system matching shower toilet, rimless, wall-hung Cleanet Navia, order no. 82060.1, floorstanding WC pan Laufen Pro, order no. 82295.2, 82295.6, 82495.5, 82595.1, 82595.2, 82595.8, 82596.2, 82596.4, wallhung WC pan Laufen Pro, order no. 82095.6, 82095.9, 82096.0, 82096.4, 82096.5, 82096.6, 82196.2 and wallhung separation toilet Save!, order no. 82066.2
Order no. 89160.1

TECHNICAL DRAWINGS / S 1 : 10



SET LAUFEN PRO
Seat and cover Standard
89295.1



TECHNICAL DATA

Order no.	89295.1
matching for	Floorstanding WC pan, order no. 82195.6, 82195.7, 82195.8, 82195.9, 82295.1, 82495.5, 82495.6, 82495.7, 82495.8, 82495.9, 82595.5, 82595.6, 82595.7 Wallhung WC pan, order no. 82095.0, 82095.1, 82095.3, 82095.4, 82195.2, 82195.4
Specification	not removable
Weight	1,9 kg
Mounting acc.	included
Colours	see colour table

SPECIFICATION TEXT

WC seat and cover Standard LAUFEN PRO, Duroplast
not removable
matching floorstanding WC pan, order no. 82195.6, 82195.7, 82195.8, 82195.9, 82295.1, 82495.5, 82495.6, 82495.7, 82495.8, 82495.9, 82595.5, 82595.6, 82595.7 and
wallhung WC pan, order no. 82095.0, 82095.1, 82095.3, 82095.4, 82195.2, 82195.4
Order no. 89295.1

**TECHNICAL DATA**

Order no.	89295.0
matching for	Floorstanding WC pan, order no. 82195.6, 82195.7, 82195.8, 82195.9, 82295.1, 82495.5, 82495.6, 82495.7, 82495.8, 82495.9, 82595.5, 82595.6, 82595.7 Wallhung WC pan, order no. 82095.0, 82095.1, 82095.3, 82095.4, 82195.2, 82195.4
Specification	not removable
Weight	1,0 kg
Mounting acc.	included
Colours	see colour table

SPECIFICATION TEXT

WC seat Spezial LAUFEN PRO, Duroplast
not removable
matching floorstanding WC pan, order no. 82195.6, 82195.7, 82195.8, 82195.9, 82295.1, 82495.5, 82495.6, 82495.7, 82495.8, 82495.9, 82595.5, 82595.6, 82595.7 and
wallhung WC pan, order no. 82095.0, 82095.1, 82095.3, 82095.4, 82195.2, 82195.4
Order no. 89295.0

SET LAUFEN PRO

Seat and cover Universal

89395.5



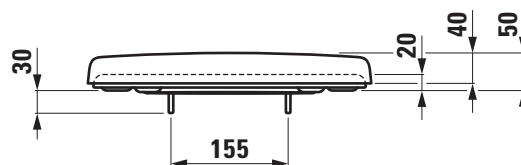
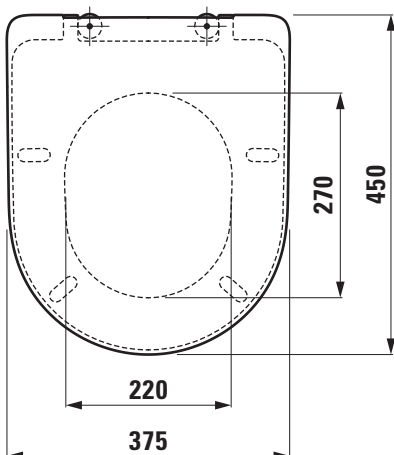
TECHNICAL DATA

Order no.	89395.5
matching for	Floorstanding WC pan, order no. 82295.2, 82295.6, 82595.1, 82595.2, 82595.8, 82596.2, 82596.4 Wallhung WC pan, order no. 82095.6, 82095.9, 82096.0, 82096.4, 82096.5, 82096.6, 82196.2 Wallhung separation toilet Save!, order no. 82066.2
Specification	removable with hollow space fixation
Weight	1,9 kg
Mounting acc.	included
Colours	see colour table

SPECIFICATION TEXT

WC seat and cover Universal LAUFEN PRO, Duroplast hollow space fixation, removable matching floorstanding WC pan, order no. 82295.2, 82295.6, 82595.1, 82595.2, 82595.8, 82596.2, 82596.4, wallhung WC pan, order no. 82095.6, 82095.9, 82096.0, 82096.4, 82096.5, 82096.6, 82196.2 and wallhung separation toilet Save!, order no. 82066.2
Order no. 89395.5

TECHNICAL DRAWINGS / S 1 : 10



Seat and cover Universal with automatic lowering system
89395.9



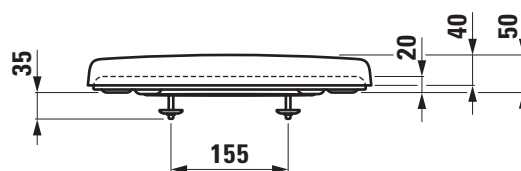
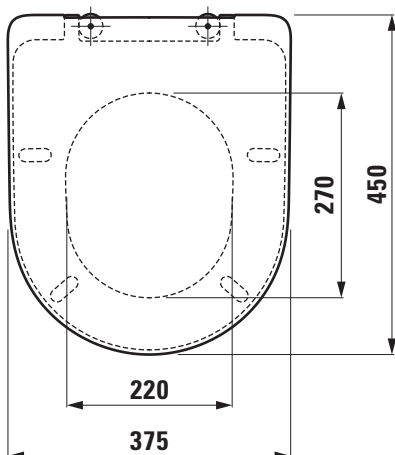
TECHNICAL DATA

Order no.	89395.9
matching for	Floorstanding WC pan, order no. 82295.2, 82295.6, 82595.1, 82595.2, 82595.8, 82596.2, 82596.4 Wallhung WC pan, order no. 82095.6, 82095.9, 82096.0, 82096.4, 82096.5, 82096.6, 82196.2 Wallhung separation toilet Save!, order no. 82066.2
Specification	removable with hollow space fixation with automatic lowering system
Weight	1,9 kg
Mounting acc.	included
Colours	see colour table

SPECIFICATION TEXT

WC seat and cover Universal LAUFEN PRO, Duroplast hollow space fixation, removable , automatic lowering system matching floorstanding WC pan, order no. 82295.2, 82295.6, 82595.1, 82595.2, 82595.8, 82596.2, 82596.4, wallhung WC pan, order no. 82095.6, 82095.9, 82096.0, 82096.4, 82096.5, 82096.6, 82196.2 and wallhung separation toilet Save!, order no. 82066.2
 Order no. 89395.9

TECHNICAL DRAWINGS / S 1 : 10



SET LAUFEN PRO

Seat and cover Universal

89395.2



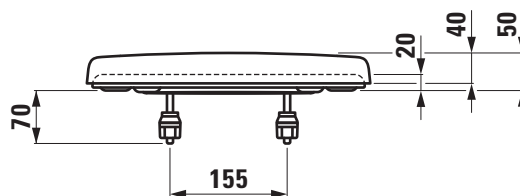
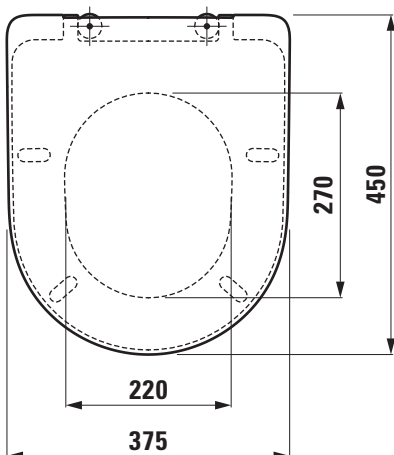
TECHNICAL DATA

Order no.	89395.2
matching for	Floorstanding WC pan, order no. 82195.6, 82195.7, 82195.8, 82195.9, 82295.1, 82495.5, 82495.6, 82495.7, 82495.8, 82495.9, 82595.5, 82595.6, 82595.7 Wallhung WC pan, order no. 82095.0, 82095.1, 82095.3, 82095.4, 82195.2, 82195.4
Specification	removable
Weight	1,9 kg
Mounting acc.	included
Colours	see colour table

SPECIFICATION TEXT

WC seat and cover Universal LAUFEN PRO, Duroplast removable
 matching floorstanding WC pan, order no. 82195.6, 82195.7, 82195.8, 82195.9, 82295.1, 82495.5, 82495.6, 82495.7, 82495.8, 82495.9, 82595.5, 82595.6, 82595.7 and
 wallhung WC pan, order no. 82095.0, 82095.1, 82095.3, 82095.4, 82195.2, 82195.4
 Order no. 89395.2

TECHNICAL DRAWINGS / S 1 : 10



Seat and cover Universal with automatic lowering system
89395.8



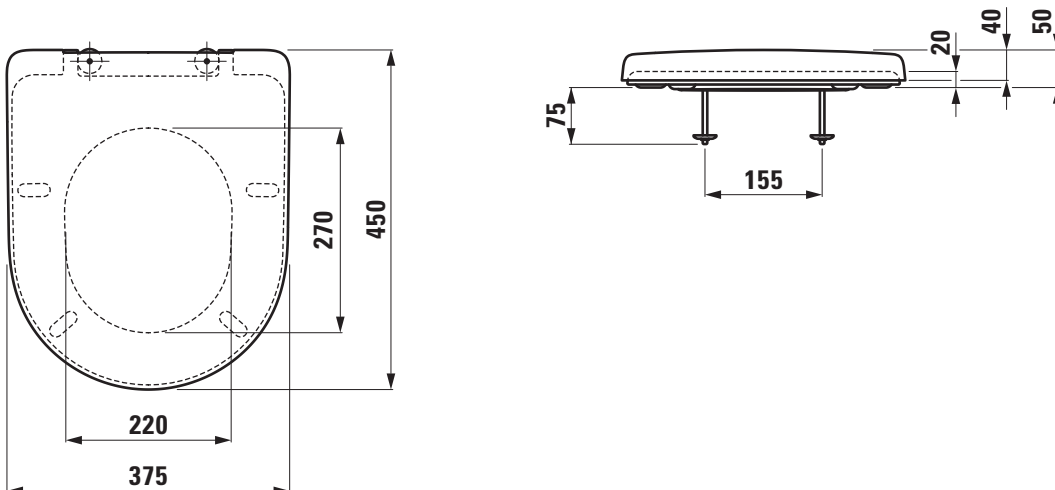
TECHNICAL DATA

Order no.	89395.8
matching for	Floorstanding WC pan, order no. 82195.6, 82195.7, 82195.8, 82195.9, 82295.1, 82495.5, 82495.6, 82495.7, 82495.8, 82495.9, 82595.5, 82595.6, 82595.7 Wallhung WC pan, order no. 82095.0, 82095.1, 82195.2
Specification	removable with automatic lowering system
Weight	1,9 kg
Mounting acc.	included
Colours	see colour table

SPECIFICATION TEXT

WC seat and cover Universal LAUFEN PRO, Duroplast removable, automatic lowering system
 matching floorstanding WC pan, order no. 82195.6, 82195.7, 82195.8, 82195.9, 82295.1, 82495.5, 82495.6, 82495.7, 82495.8, 82495.9, 82595.5, 82595.6, 82595.7 and
 wallhung WC pan, order no. 82095.0, 82095.1, 82195.2
 Order no. 89395.8

TECHNICAL DRAWINGS / S 1 : 10



SET LAUFEN PRO
Floorstanding bidet
83295.2



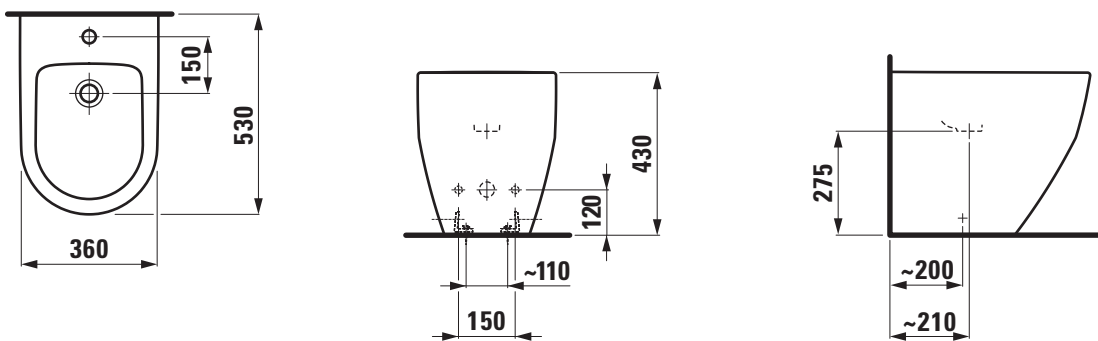
TECHNICAL DATA

Order no.	83295.2
Certified to	EN 35
Specification	Charge 302 – 1 centre tap hole
Weight	21,0 kg
Mounting acc. incl.	Fixing set, order no. 89175.7
Mounting acc. excl.	flexible siphon LAUFEN, order no. 89497.5
Colours	see colour table

SPECIFICATION TEXT

Floorstanding bidet LAUFEN PRO, sanitary ceramic
 EN 35, dimensions 360 x 530 x 430 mm
 1 centre tap hole
 back to wall, concealed fixation
 Special feature: overflow channel glazed, vacuum checked
 Further options: Surface refinement LCC (only white)
 Order no. 83295.2

TECHNICAL DRAWINGS / S 1 : 20



SET LAUFEN PRO

Floorstanding bidet

83295.1



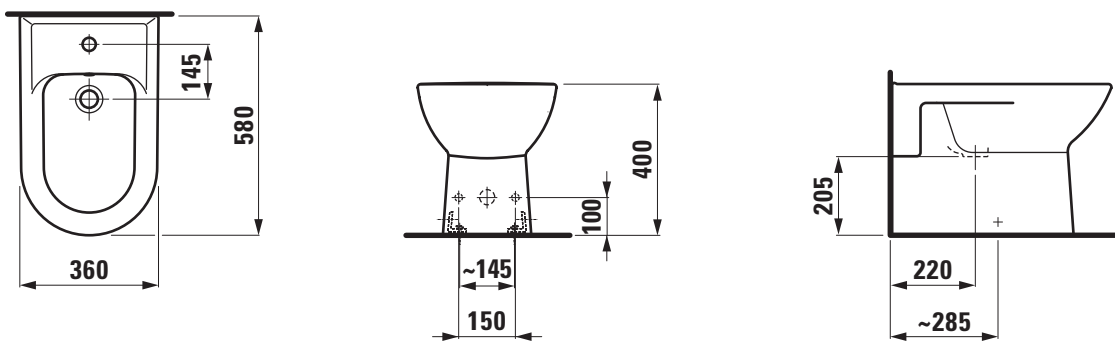
TECHNICAL DATA

Order no.	83295.1
Certified to	EN 35
Specification	Charge 304 – 1 centre tap hole
Weight	19,5 kg
Mounting acc. incl.	Fixing set, order no. 89175.7
Colours	see colour table

SPECIFICATION TEXT

Floorstanding bidet LAUFEN PRO, sanitary ceramic
EN 35, dimensions 360 x 580 x 400 mm
1 centre tap hole
back to wall, concealed trap, concealed fixation
Special feature: overflow channel glazed, vacuum checked
Further options: Surface refinement LCC (only white)
Order no. 83295.1

TECHNICAL DRAWINGS / S 1 : 20



SET LAUFEN PRO

Wallhung bidet

83095.2



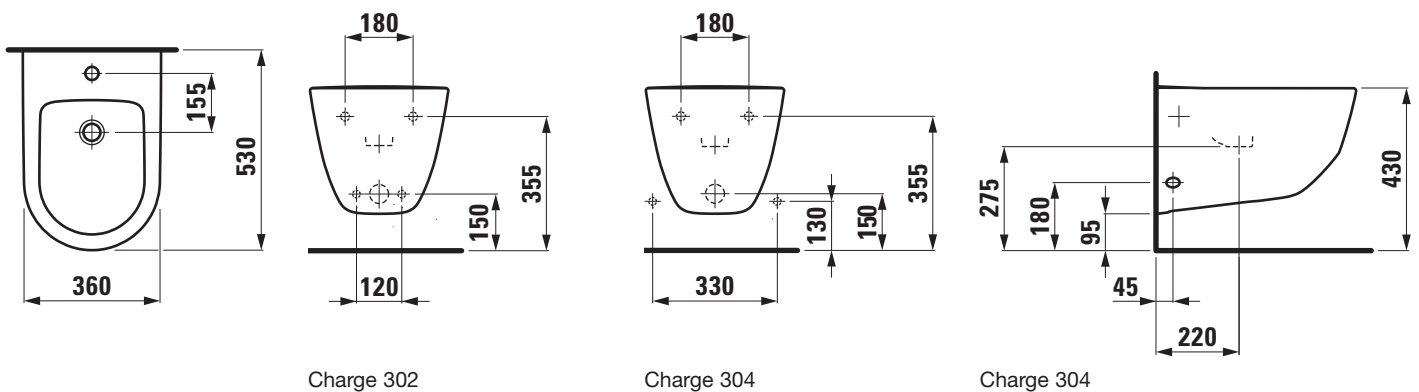
TECHNICAL DATA

Order no.	83095.2
Certified to	EN 36
Specification	Charge 302 – 1 centre tap hole without lateral holes
Special specification	Charge 304 – 1 centre tap hole with 2 lateral mounting holes for water connection
Weight	17,0 kg
Mounting acc. incl.	laufen EasyFit system M12, order no. 89282.7
Mounting acc. excl.	Stone screw fastening kit M12
Colours	see colour table

SPECIFICATION TEXT

Wallhung bidet LAUFEN PRO, sanitary ceramic
EN 36, dimensions 360 x 530 x 335 mm
1 centre tap hole
concealed trap, concealed fixation
Special feature: overflow channel glazed, vacuum checked
Further options: Surface refinement LCC (only white), lateral mounting
holes for water connection
Order no. 83095.2

TECHNICAL DRAWINGS / S 1 : 20



SET LAUFEN PRO

Wallhung bidet

83095.1



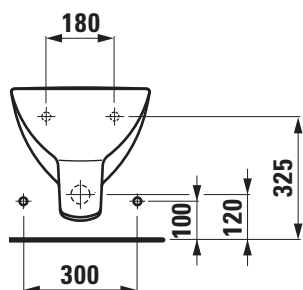
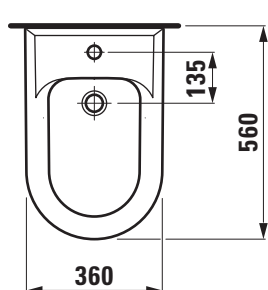
TECHNICAL DATA

Order no.	83095.1
Certified to	EN 36
Specification	Charge 304 – 1 centre tap hole with 2 lateral mounting holes for water connection
Special specification	Charge 302 – 1 centre tap hole without lateral holes
Weight	17,0 kg
Colours	see colour table

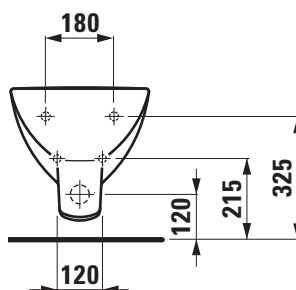
SPECIFICATION TEXT

Wallhung bidet LAUFEN PRO, sanitary ceramic
EN 36, dimensions 360 x 560 x 350 mm
1 centre tap hole
Special feature: overflow channel glazed, vacuum checked
Further options: Surface refinement LCC (only white), without lateral
mounting holes for water connection
Order no. 83095.1

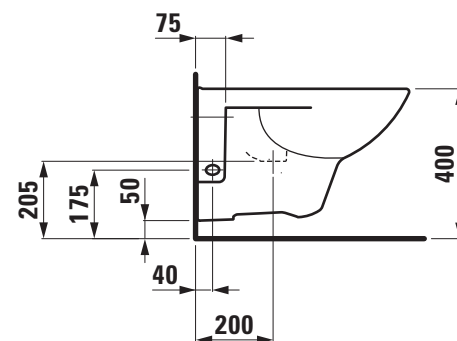
TECHNICAL DRAWINGS / S 1 : 20



Charge 304



Charge 302



Charge 304

SET LAUFEN PRO LIBERTY

Washbasin
81195.0



TECHNICAL DATA

Order no.	81195.0
Certified to	EN 31, EN14688
Dimensions	600 x 550 mm
Inside dimensions of the basin	530 x 380 mm
Specification	Charge 104 – 1 centre tap hole, with overflow
Special specification	Charge 109 – without tap hole, with overflow
Weight	18,0 kg
Mounting acc. excl.	Mounting set M10 x 140 mm, order no. 89988.2
Colours	see colour table

SPECIFICATION TEXT

Washbasin LAUFEN PRO LIBERTY, sanitary ceramic

EN 31, EN14688

dimensions 600 x 550 mm, symmetric

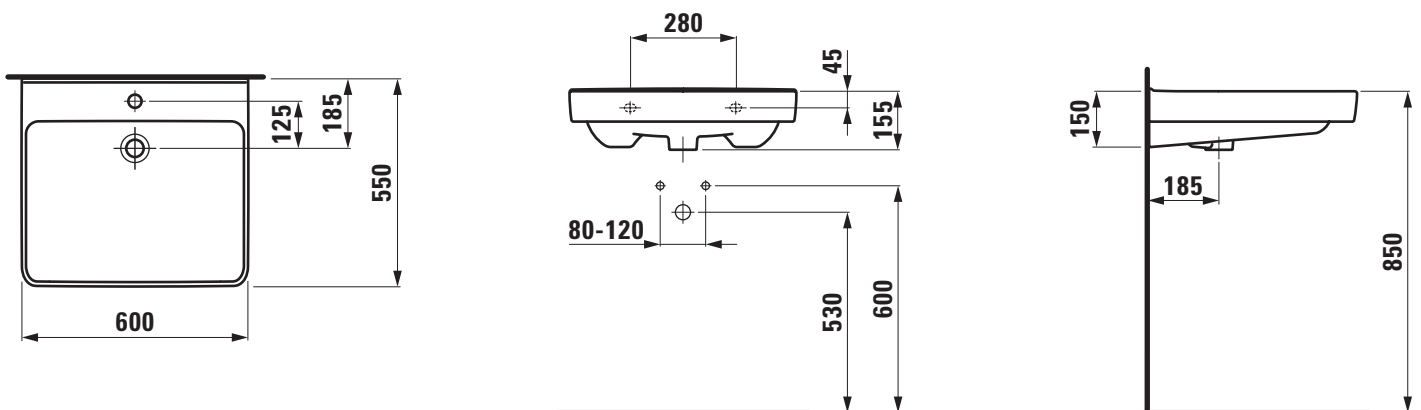
1 centre tap hole, with overflow

Special feature: overflow channel glazed

Further options / accessories: without tap holes, bathtubs, furniture

Order no. 81195.0

TECHNICAL DRAWINGS / S 1 : 20



SET LAUFEN PRO LIBERTY

Barrier free washbasin

81195.0



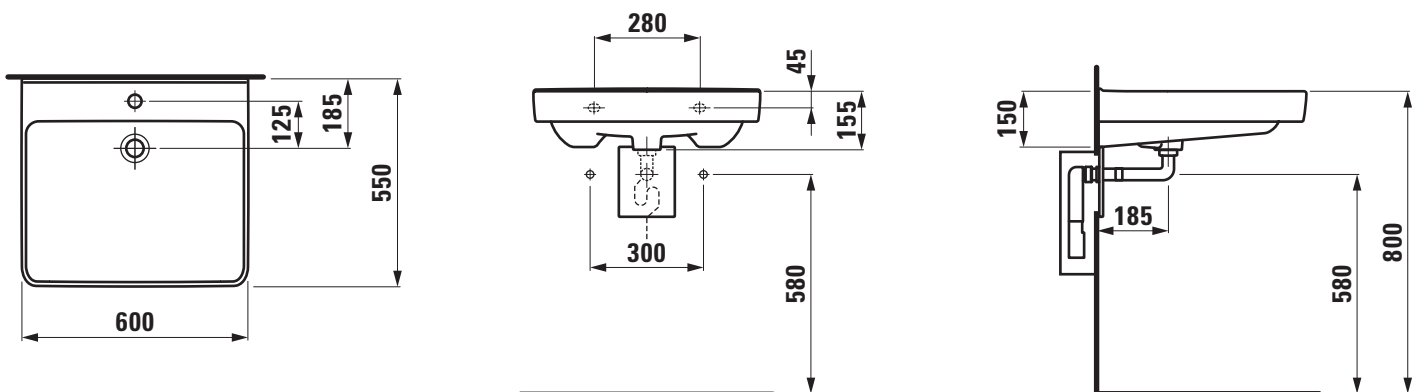
TECHNICAL DATA

Order no.	81195.0
Certified to	DIN 18040, EN 31
Dimensions	600 x 550 mm
Inside dimensions of the basin	530 x 380 mm
Specification	Charge 156 – 1 centre tap hole, without overflow and without open drain
Special specification	Charge 142 – without tap hole without overflow and without open drain
Weight	18,0 kg
Mounting acc. excl.	Mounting set M10 x 140 mm, order no. 89988.2 Concealed siphon, order no. 89390.2
Colours	see colour table

SPECIFICATION TEXT

Barrier free washbasin LAUFEN PRO LIBERTY, sanitary ceramic
DIN 18040, EN 31
dimensions 600 x 550 mm, symmetric
1 centre tap hole, without overflow and open drain,
accessible by wheelchair
Further options / accessories: without tap holes/overflow and open drain,
concealed siphon
Order no. 81195.0

TECHNICAL DRAWINGS / S 1 : 20



SET LAUFEN PRO LIBERTY

Washbasin 81195.3



TECHNICAL DATA

Order no.	81195.3
Certified to	EN 31, EN14688
Dimensions	650 x 550 mm
Inside dimensions of the basin	595 x 400 mm
Specification	Charge 104 – 1 centre tap hole, with overflow
Special specification	Charge 109 – without tap hole, with overflow
Weight	16,5 kg
Mounting acc. excl.	Mounting set M10 x 140 mm, order no. 89988.2
Colours	see colour table

SPECIFICATION TEXT

Washbasin LAUFEN PRO LIBERTY, sanitary ceramic

EN 31, EN14688

dimensions 650 x 550 mm, symmetric

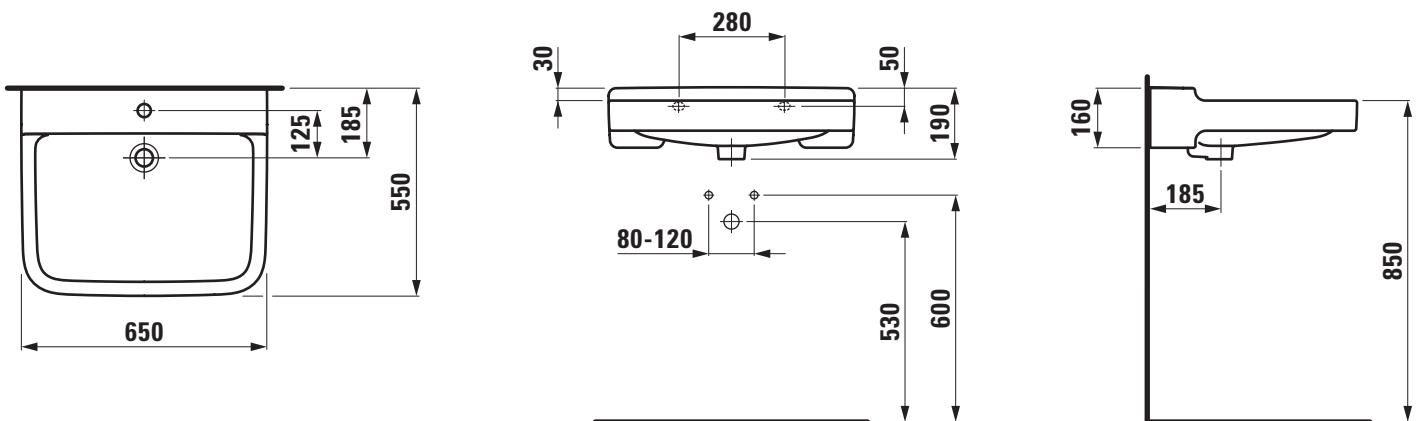
1 centre tap hole, with overflow

Special feature: overflow channel glazed

Further options / accessories: without tap holes, bathtubs, furniture

Order no. 81195.3

TECHNICAL DRAWINGS / S 1 : 20



SET LAUFEN PRO LIBERTY

Barrier free washbasin

81195.3



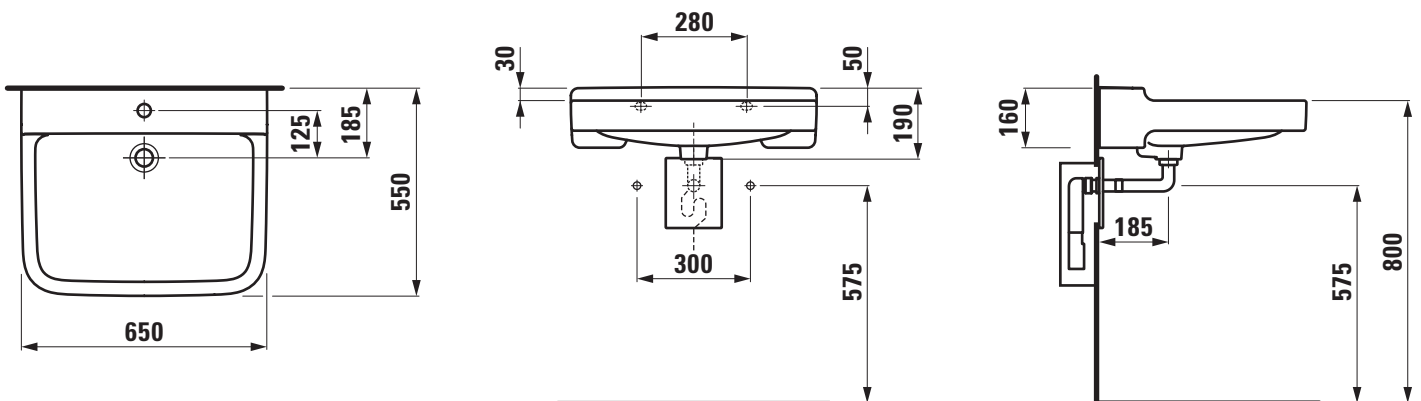
TECHNICAL DATA

Order no.	81195.3
Certified to	DIN 18040, EN 31
Dimensions	650 x 550 mm
Inside dimensions of the basin	595 x 400 mm
Specification	Charge 156 – 1 centre tap hole, without overflow and without open drain
Special specification	Charge 142 – without tap hole without overflow and without open drain
Weight	16,5 kg
Mounting acc. excl.	Mounting set M10 x 140 mm, order no. 89988.2 Concealed siphon, order no. 89390.2
Colours	see colour table

SPECIFICATION TEXT

Barrier free washbasin LAUFEN PRO LIBERTY, sanitary ceramic
DIN 18040, EN 31
dimensions 650 x 550 mm, symmetric
1 centre tap hole, without overflow and open drain,
accessible by wheelchair
Further options / accessories: without tap holes/overflow and open drain,
concealed siphon
Order no. 81195.3

TECHNICAL DRAWINGS / S 1 : 20



SET LAUFEN PRO LIBERTY

Barrier free wallhung WC rimless

82195.4



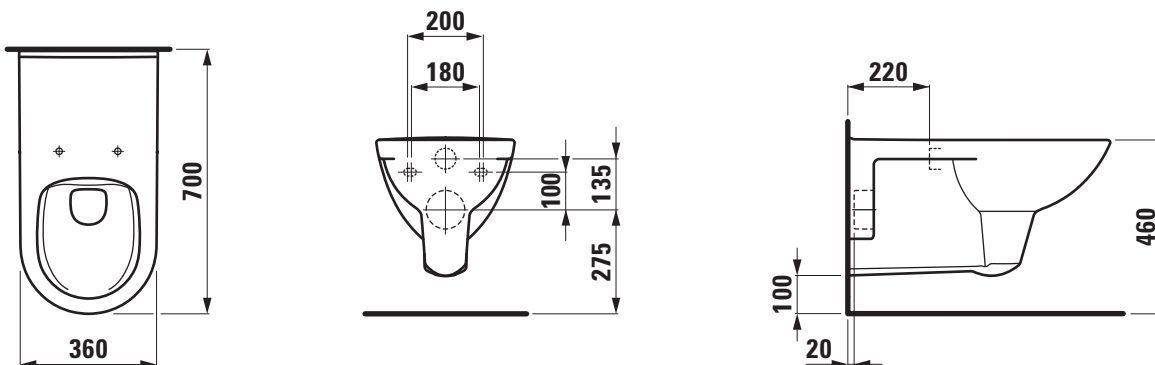
TECHNICAL DATA

Order no.	82195.4
Certified to	EN 997, EN 33
Specification	rimless Washdown for 5,9/3-l-flush, length 700 mm
Weight	25,0 kg
Accessories excl.	Seat, order no. 89295.0 Seat and cover, order no. 89195.0, 89295.1, 89395.2
Colours	see colour table

SPECIFICATION TEXT

Barrier free wallhung WC rimless, washdown LAUFEN PRO LIBERTY, sanitary ceramic, for concealed cistern
EN 997, EN 33, 5,9/3-l-flush, dimensions 360 x 700 x 360 mm
accessible by wheelchair, length 700 mm, higher mounting necessary to achieve a seated height of 480 mm
Special feature: rimless, concealed surfaces directing water are fully glazed throughout, vacuum checked
Further options / accessories: WC seat 89295.0, WC seat and cover 89195.0, 89295.1, 89395.2
Order no. 82195.4

TECHNICAL DRAWINGS / S 1 : 20



SET LAUFEN PRO LIBERTY

Barrier free wallhung WC pan 82095.4



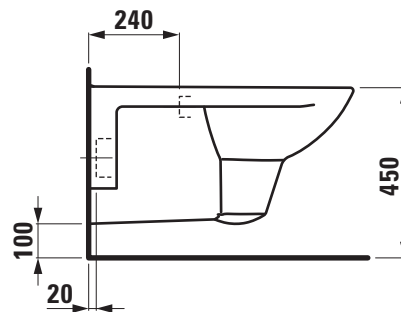
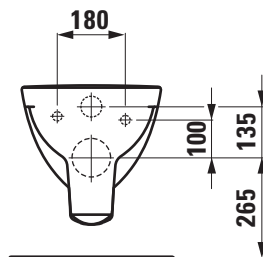
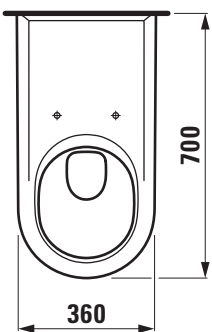
TECHNICAL DATA

Order no.	82095.4
Certified to	EN 997, EN 33
Specification	Washdown for 5,9/3-l-flush, length 700 mm
Weight	25,0 kg
Accessories excl.	Seat, order no. 89295.0, 89895.1 Seat and cover, order no. 89195.0, 89295.1, 89395.2, 89895.0
Colours	see colour table

SPECIFICATION TEXT

Barrier free wallhung WC pan washdown LAUFEN PRO LIBERTY, sanitary ceramic, for concealed cistern
EN 997, EN 33, 5,9/3-l-flush, dimensions 360 x 700 x 350 mm accessible by wheelchair, length 700 mm, higher mounting necessary to achieve a seated height of 480 mm
Special feature: concealed surfaces directing water are fully glazed throughout, vacuum checked
Further options / accessories: WC seat 89295.0, 89895.1, WC seat and cover 89195.0, 89295.1, 89395.2, 89895.0
Order no. 82095.4

TECHNICAL DRAWINGS / S 1 : 20



SET LAUFEN PRO LIBERTY

Barrier free wallhung WC pan

82095.3



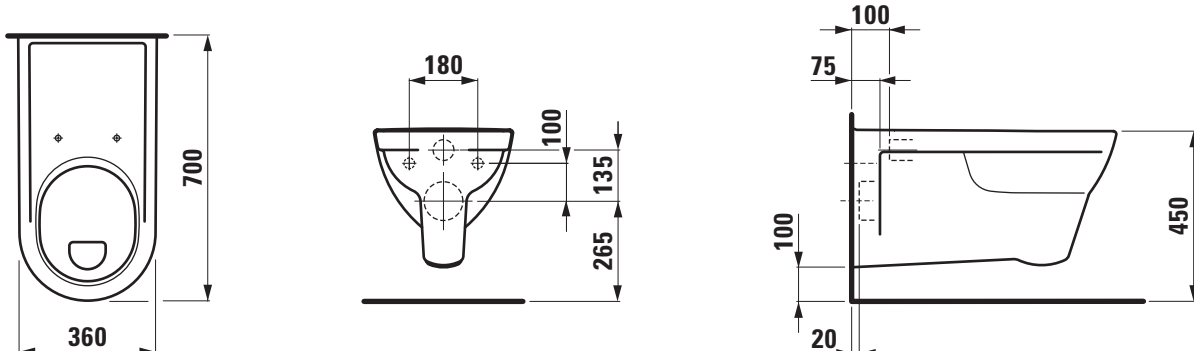
TECHNICAL DATA

Order no.	82095.3
Certified to	EN 997, EN 33
Specification	Washout for 6/3-l-flush, length 700 mm
Weight	18,5 kg
Accessories excl.	Seat, order no. 89295.0, 89895.1 Seat and cover, order no. 89195.0, 89295.1, 89395.2, 89895.0
Colours	see colour table

SPECIFICATION TEXT

Barrier free wallhung WC pan washdown LAUFEN PRO LIBERTY, sanitary ceramic, for concealed cistern
EN 997, EN 33, 6/3-l-flush, dimensions 360 x 700 x 350 mm accessible by wheelchair, length 700 mm, higher mounting necessary to achieve a seated height of 480 mm
Special feature: concealed surfaces directing water are fully glazed throughout, vacuum checked
Further options / accessories: WC seat 89295.0, 89895.1, WC seat and cover 89195.0, 89295.1, 89395.2, 89895.0
Order no. 82095.3

TECHNICAL DRAWINGS / S 1 : 20



SET LAUFEN PRO LIBERTY

Wallhung WC rimless

82196.0



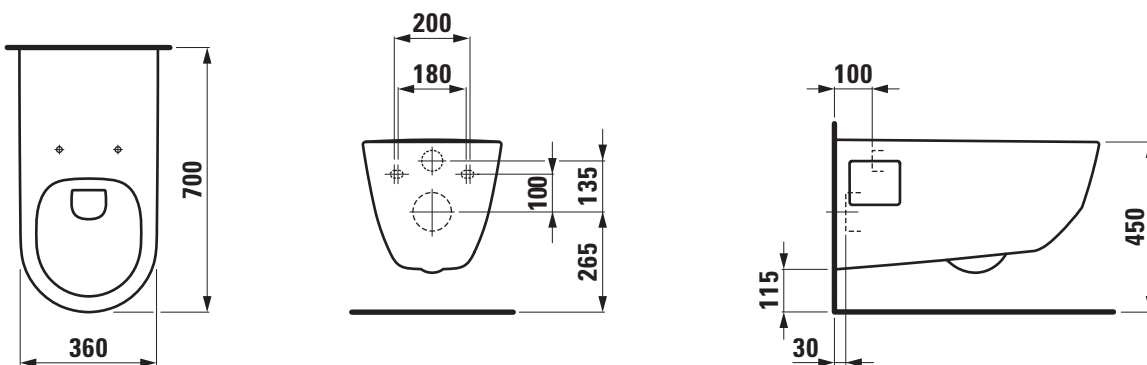
TECHNICAL DATA

Order no.	82196.0
Certified to	EN 977, EN 33
Specification	rimless Washdown for 6/3-l-flush
Weight	30,6 kg
Accessories excl.	Seat, order no. 89895.1 Seat and cover, order no. 89895.0, 89896.0
Colours	see colour table

SPECIFICATION TEXT

Wallhung WC rimless, washdown LAUFEN PRO LIBERTY, sanitary ceramic, for concealed cistern
EN 977, EN 33, 6/3-l-flush, dimensions 360 x 700 x 335 mm
concealed trap, with lateral niches
Special feature: rimless, concealed surfaces directing water are fully glazed throughout, vacuum checked
Further options / accessories: WC seat 89895.1, WC seat and cover 89895.0, 89896.0
Order no. 82196.0

TECHNICAL DRAWINGS / S 1 : 20



SET LAUFEN PRO LIBERTY

Barrier free seat and cover

89895.0



TECHNICAL DATA

Order no.	89895.0
matching for	Wallhung WC pan, order no. 82095.3, 82095.4, 82196.0
Specification	removable
Weight	3,8 kg
Mounting acc.	included
Colours	see colour table

SPECIFICATION TEXT

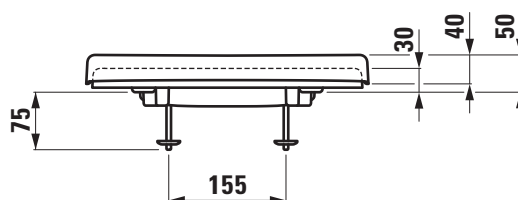
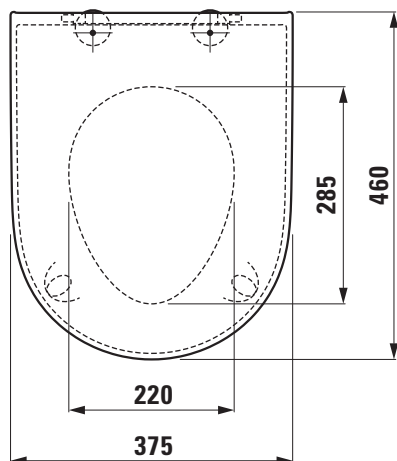
Barrier free WC seat and cover LAUFEN PRO LIBERTY, Duroplast removable

matching wallhung WC pan, order no. 82095.3, 82095.4, 82196.0

Special feature: special strong and robust hinges and buffers

Order no. 89895.0

TECHNICAL DRAWINGS / S 1 : 10



SET LAUFEN PRO LIBERTY

Barrier free seat 89895.1



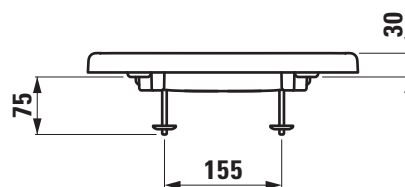
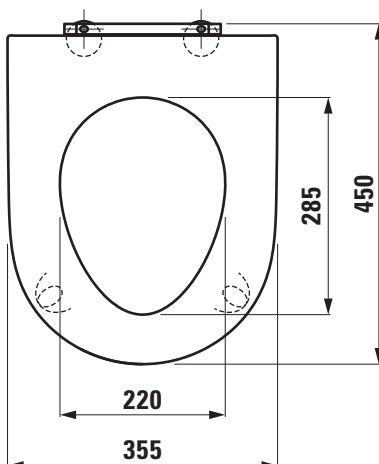
TECHNICAL DATA

Order no.	89895.1
matching for	Wallhung WC pan, order no. 82095.3, 82095.4, 82196.0
Specification	removable
Weight	2,0 kg
Mounting acc.	included
Colours	see colour table

SPECIFICATION TEXT

Barrier free WC seat LAUFEN PRO LIBERTY, Duroplast removable
matching wallhung WC pan, order no. 82095.3, 82095.4, 82196.0
Special feature: special strong and robust hinges and buffers
Order no. 89895.1

TECHNICAL DRAWINGS / S 1 : 10



SET FLORAKIDS

Washbasin 81503.1



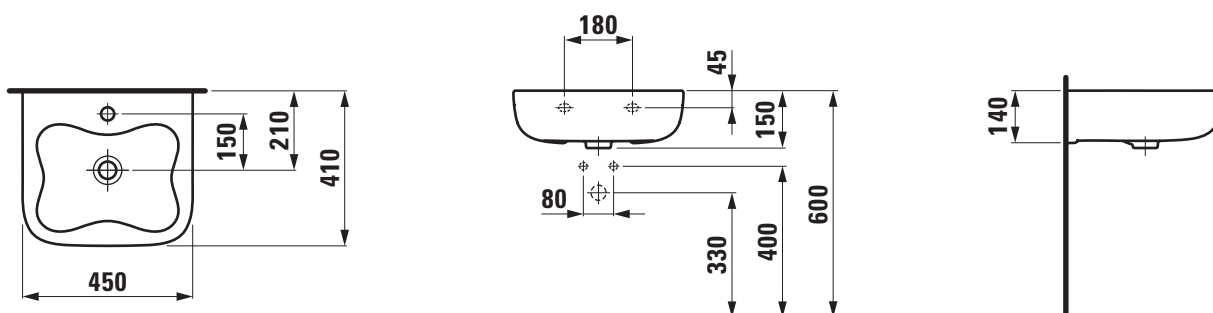
TECHNICAL DATA

Order no.	81503.1
Certified to	EN 31
Dimensions	450 x 410 mm
Specification	Charge 104 – 1 centre tap hole, with overflow
Weight	11,0 kg
Mounting acc. excl.	Mounting set M10 x 140 mm, order no. 89988.2
Colours	see colour table

SPECIFICATION TEXT

Washbasin Laufen-FLORAKIDS, sanitary ceramic
EN 31
dimensions 450 x 410 mm, symmetric
1 centre tap hole, with overflow
Special feature: overflow channel glazed
Further options / accessories: furniture, faucets
Order no. 81503.1

TECHNICAL DRAWINGS / S 1 : 20



SET FLORAKIDS

Floorstanding WC pan

82203.6



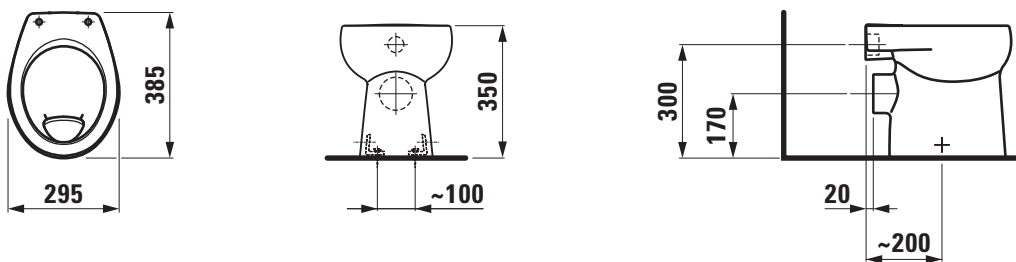
TECHNICAL DATA

Order no.	82203.6 / Charge 027
Certified to	EN 997, EN 33
Specification	Washout for 5/3-l-flush
Outlet	horizontal
Weight	12,0 kg
Accessories excl.	Seat, order no. 89103.2
Mounting acc. incl.	Device for fixing, order no. 89175.7
Colours	see colour table

SPECIFICATION TEXT

Floorstanding WC pan washout Laufen-FLORAKIDS, sanitary ceramic, for cistern wall mounted
 EN 997, EN 33, 5/3-l-flush
 dimensions 295 x 385 x 350 mm
 outlet horizontal, concealed fixation
 Special feature: concealed surfaces directing water are fully glazed throughout, vacuum checked
 Further options / accessories: WC seat, 89103.2
 Order no. 82203.6 / Option 027

TECHNICAL DRAWINGS / S 1 : 20



SET FLORAKIDS

Floorstanding WC pan

82203.7



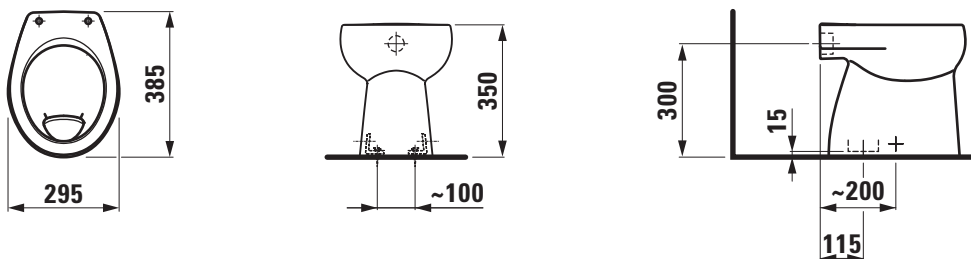
TECHNICAL DATA

Order no.	82203.7 / Charge 027
Certified to	EN 997, EN 33
Specification	Washout for 5/3-l-flush
Outlet	vertical
Weight	12,0 kg
Accessories excl.	Seat, order no. 89103.2
Mounting acc. incl.	Device for fixing, order no. 89175.7
Colours	see colour table

SPECIFICATION TEXT

Floorstanding WC pan washout Laufen-FLORAKIDS, sanitary ceramic, for cistern wall mounted
 EN 997, EN 33, 5/3-l-flush
 dimensions 295 x 385 x 350 mm
 outlet vertical, concealed fixation
 Special feature: concealed surfaces directing water are fully glazed throughout, vacuum checked
 Further options / accessories: WC seat, 89103.2
 Order no. 82203.7 / Option 027

TECHNICAL DRAWINGS / S 1 : 20



SET FLORAKIDS

Wallhung WC pan 82003.1



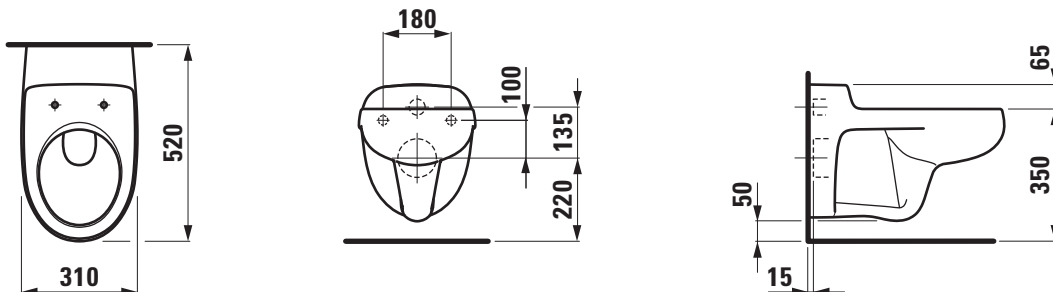
TECHNICAL DATA

Order no.	82003.1
Certified to	EN 997, EN 33
Specification	Washdown for 5/3-l-flush
Weight	12,5 kg
Accessories excl.	Seat and cover, order no. 89103.0 Seat and cover with automatic lowering system, order no. 89103.1 Seat, order no. 89103.2
Colours	see colour table

SPECIFICATION TEXT

Wallhung WC pan washdown Laufen-FLORAKIDS, sanitary ceramic, for concealed cistern
EN 997, EN 33, 5/3-l-flush
dimensions 310 x 520 x 365 mm, ceramic seat height 350 mm
Special feature: concealed surfaces directing water are fully glazed throughout, vacuum checked
Further options / accessories: WC seat and cover, 89103.0, WC seat and cover with automatic lowering 89103.1, WC seat , 89103.2
Order no. 82003.1

TECHNICAL DRAWINGS / S 1 : 20



SET FLORAKIDS
WC Seat and cover
89103.0



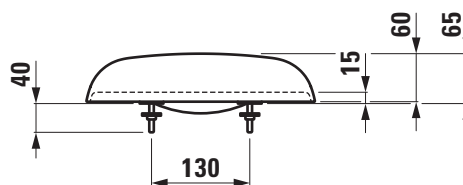
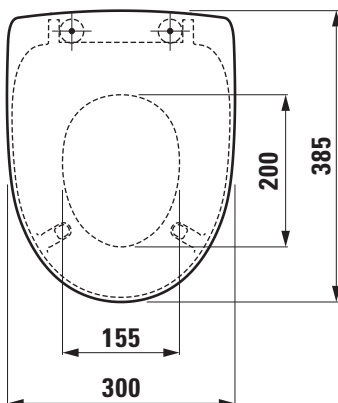
TECHNICAL DATA

Order no.	89103.0
matching for	Wallhung WC pan order no. 82003.1
Specification	removable
Weight	2,0 kg
Mounting acc.	included
Colours	see colour table

SPECIFICATION TEXT

WC seat and cover Laufen-FLORAKIDS, Duroplast
removable
matching wallhung WC pan, order no. 82003.1
Order no. 89103.0

TECHNICAL DRAWINGS / S 1 : 10



**WC Seat and cover with automatic lowering system
89103.1**



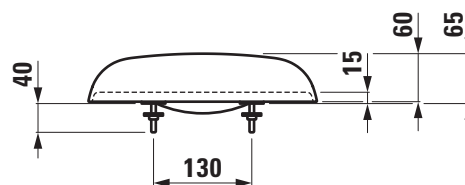
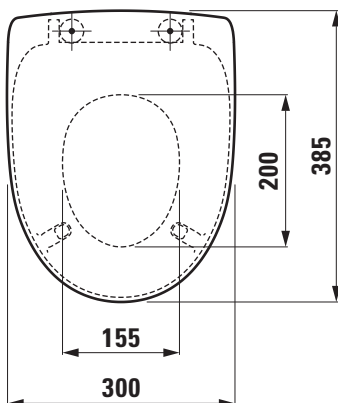
TECHNICAL DATA

Order no.	89103.1
matching for	Wallhung WC pan order no. 82003.1
Specification	removable with automatic lowering system
Weight	2,0 kg
Mounting acc.	included
Colours	see colour table

SPECIFICATION TEXT

WC seat and cover Laufen-FLORAKIDS, Duroplast
removable, automatic lowering system
matching wallhung WC pan, order no. 82003.1
Order no. 89103.1

TECHNICAL DRAWINGS / S 1 : 10



SET FLORAKIDS

Ergo WC Seat 89103.2



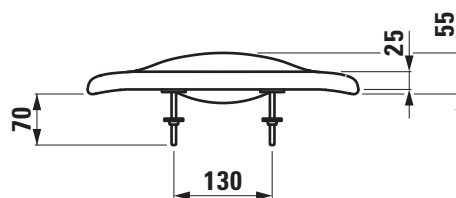
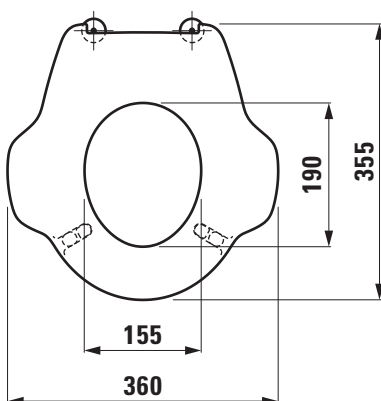
TECHNICAL DATA

Order no.	89103.2
matching for	Floorstanding WC pan order no. 82203.6, 82203.7 Wallhung WC pan order no. 82003.1
Specification	removable
Weight	1,0 kg
Mounting acc.	included
Colours	see colour table

SPECIFICATION TEXT

Ergo WC seat Laufen-FLORAKIDS, Duroplast removable, with automatic lowering system matching floorstanding WC pan, order no. 82203.6, 82203.7 and wallhung WC pan, order no. 82003.1
Special feature: ergonomic handles, splash protection and back rest
Order no. 89103.2

TECHNICAL DRAWINGS / S 1 : 10



SET FLORAKIDS

Shelf CLOUD

87703.1



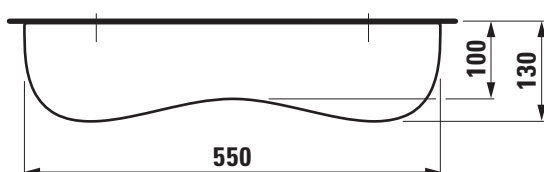
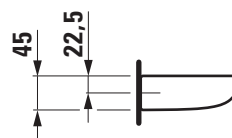
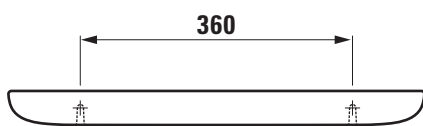
TECHNICAL DATA

Order no.	87703.1
Dimensions	550 x 130 mm
Weight	3,0 kg
Mounting acc. incl.	Fixing set, order no. 89852.6
Colours	see colour table

SPECIFICATION TEXT

Shelf Laufen-FLORAKIDS, sanitary ceramic
dimensions 550 x 130 mm
Order no. 87703.1

TECHNICAL DRAWINGS / S 1 : 10



BARRIER FREE



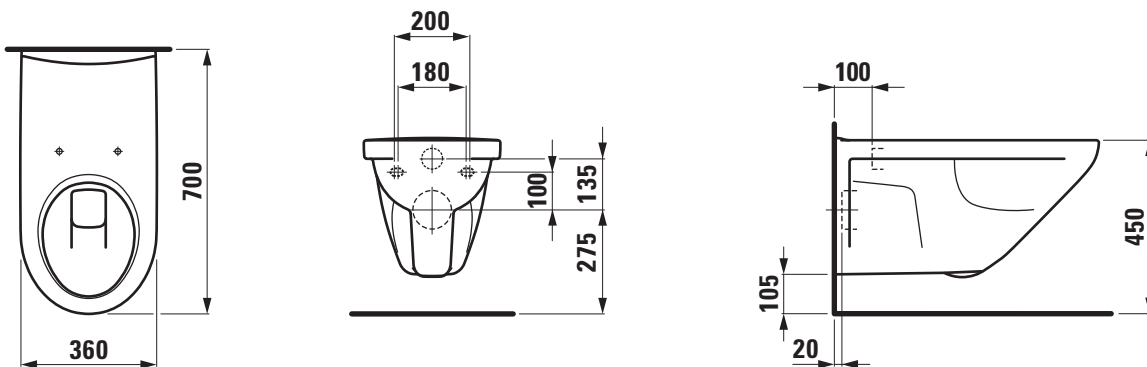
TECHNICAL DATA

Order no.	82054.7
Certified to	EN 997 / EN 33
Specification	Washdown for 6/3-l-flush, length 700 mm open water rim
Outlet	horizontal
Weight	24,0 kg
Accessories excl.	WC seat and cover, order no. 89354.2, 89354.3, 89895.0 WC seat without cover, order no. 89354.7, 89895.1
Colours	see colour table

SPECIFICATION TEXT

Barrier free wallhung WC pan washdown Laufen-MODERNA R, sanitary ceramic, for concealed cistern
EN 997, EN 33, 6/3-l-flush, dimensions 360 x 700 x 345 mm
accessible by wheelchair, length 700 mm, higher mounting necessary to achieve a seated height of 480 mm
Special feature: concealed surfaces directing water are fully glazed throughout, open water rim, vacuum checked
Further options / accessories: WC seat without cover 89354.7, 89895.1, WC seat and cover 89354.2, 89354.3, 89895.0
Order no. 82054.7

TECHNICAL DRAWINGS / S 1 : 20



SET MODERNA R
WC Seat and cover
89354.2



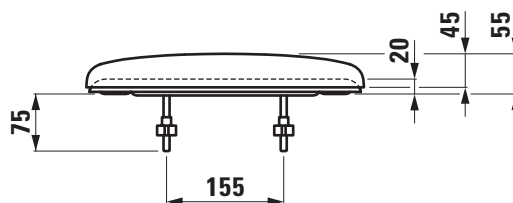
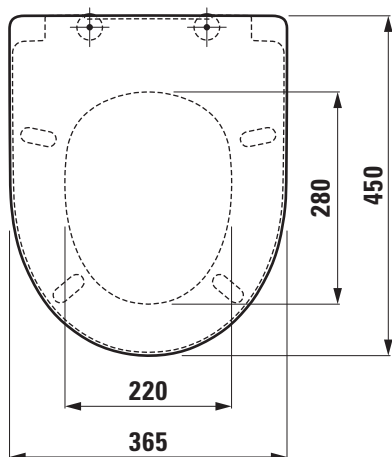
TECHNICAL DATA

Order no.	89354.2
matching for	Floorstanding WC pan, order no. 82454.1, 82454.2 Wallhung WC pan, order no. 82054.1, 82054.2, 82054.3, 82054.4, 82054.5, 82054.6, 82054.7, 82054.9, 82154.6
Specification	removable hinge metal, with allen screw
Weight	2,5 kg
Mounting acc.	included
Colours	see colour table

SPECIFICATION TEXT

WC seat and cover Laufen-MODERNA R, Duroplast hinge metal, with allen screw, removable matching floorstanding WC pan, order no. 82454.1, 82454.2 and wallhung WC pan, order no. 82054.1, 82054.2, 82054.3, 82054.4, 82054.5, 82054.6, 82054.7, 82054.9, 82154.6
 Order no. 89354.2

TECHNICAL DRAWINGS / S 1 : 10



SET MODERNA R
WC Seat and cover
89354.3



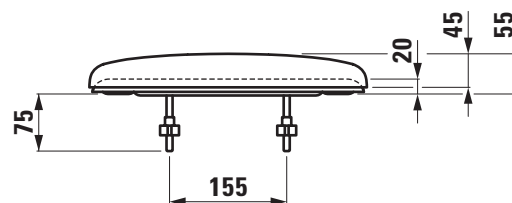
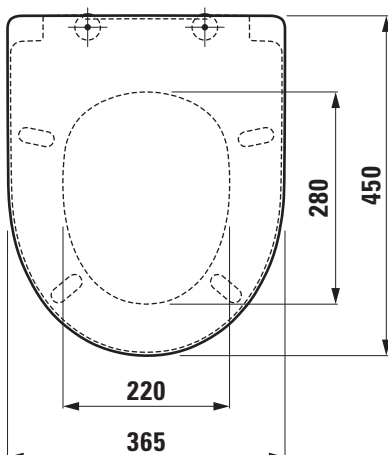
TECHNICAL DATA

Order no.	89354.3
matching for	Floorstanding WC pan, order no. 82454.1, 82454.2 Wallhung WC pan, order no. 82054.1, 82054.2, 82054.3, 82054.4, 82054.5, 82054.6, 82054.7, 82054.9, 82154.6
Specification	removable hinge metal, with knurled screw
Weight	2,5 kg
Mounting acc.	included
Colours	see colour table

SPECIFICATION TEXT

WC seat and cover Laufen-MODERNA R, Duroplast hinge metal, with knurled screw, removable matching floorstanding WC pan, order no. 82454.1, 82454.2 and wallhung WC pan, order no. 82054.1, 82054.2, 82054.3, 82054.4, 82054.5, 82054.6, 82054.7, 82054.9, 82154.6
 Order no. 89354.3

TECHNICAL DRAWINGS / S 1 : 10



WC Seat and cover with automatic lowering system
89354.4



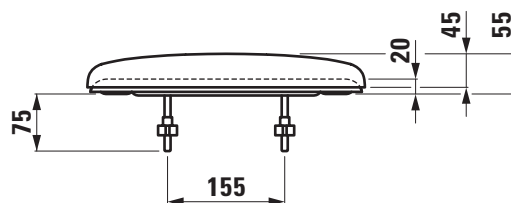
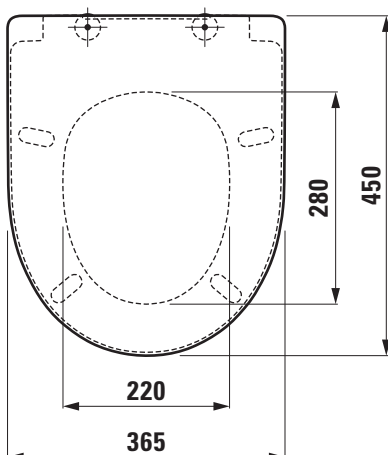
TECHNICAL DATA

Order no.	89354.4
matching for	Floorstanding WC pan, order no. 82454.1, 82454.2 Wallhung WC pan, order no. 82054.1, 82054.2, 82054.3, 82054.4, 82054.5, 82054.6, 82054.9, 82154.6
Specification	removable with automatic lowering system
Weight	2,5 kg
Mounting acc.	included
Colours	see colour table

SPECIFICATION TEXT

WC seat and cover Laufen-MODERNA R, Duroplast removable, automatic lowering system matching floorstanding WC pan, order no. 82454.1, 82454.2 and wallhung WC pan, order no. 82054.1, 82054.2, 82054.3, 82054.4, 82054.5, 82054.6, 82054.9, 82154.6
 Order no. 89354.4

TECHNICAL DRAWINGS / S 1 : 10



SET MODERNA R
WC Seat without cover
89354.7



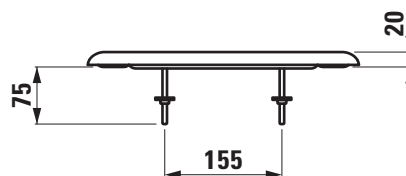
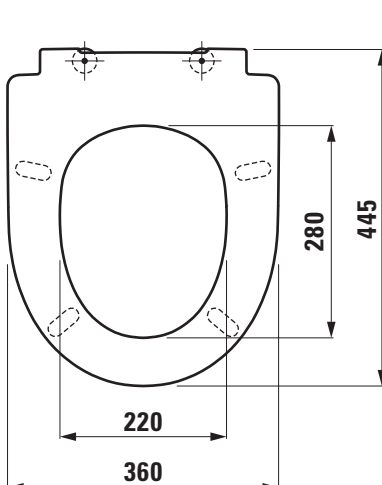
TECHNICAL DATA

Order no.	89354.7
matching for	Floorstanding WC pan, order no. 82454.1, 82454.2 Wallhung WC pan, order no. 82054.1, 82054.2, 82054.3, 82054.4, 82054.5, 82054.6, 82054.7, 82054.9, 82154.6
Specification	removable
Weight	1,0 kg
Mounting acc.	included
Colours	see colour table

SPECIFICATION TEXT

WC seat without cover Laufen-MODERNA R, Duroplast removable
matching floorstanding WC pan, order no. 82454.1, 82454.2 and wallhung WC pan, order no. 82054.1, 82054.2, 82054.3, 82054.4, 82054.5, 82054.6, 82054.7, 82054.9, 82154.6
Order no. 89354.7

TECHNICAL DRAWINGS / S 1 : 10



SET MODERNA R

Barrier free seat and cover

89895.0



TECHNICAL DATA

Order no.	89895.0
matching for	Wallhung WC pan, order no. 82054.6, 82054.7, 82154.6
Specification	removable
Weight	3,8 kg
Mounting acc.	included
Colours	see colour table

SPECIFICATION TEXT

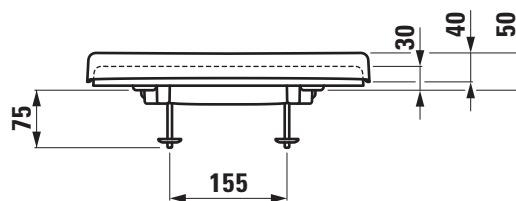
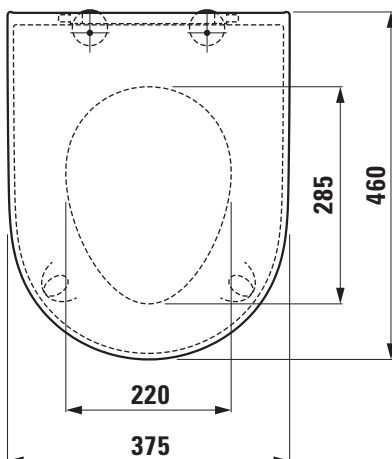
Barrier free WC seat and cover Laufen-MODERNA R, Duroplast removable

matching wallhung WC pan, order no. 82054.6, 82054.7, 82154.6

Special feature: special strong and robust hinges and buffers

Order no. 89895.0

TECHNICAL DRAWINGS / S 1 : 10



SET MODERNA R

Barrier free seat

89895.1



TECHNICAL DATA

Order no.	89895.1
matching for	Wallhung WC pan, order no. 82095.3, 82095.4, 82154.6
Specification	removable
Weight	2,0 kg
Mounting acc.	included
Colours	see colour table

SPECIFICATION TEXT

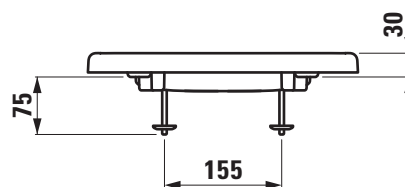
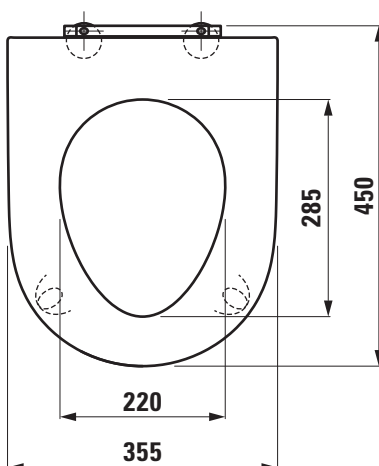
Barrier free WC seat Laufen-MODERNA R, Duroplast removable

matching wallhung WC pan, order no. 82054.3, 82054.4, 82154.6

Special feature: special strong and robust hinges and buffers

Order no. 89895.1

TECHNICAL DRAWINGS / S 1 : 10



SET LAUFEN PRO LIBERTY

Washbasin 81195.0



TECHNICAL DATA

Order no.	81195.0
Certified to	EN 31, EN14688
Dimensions	600 x 550 mm
Inside dimensions of the basin	530 x 380 mm
Specification	Charge 104 – 1 centre tap hole, with overflow
Special specification	Charge 109 – without tap hole, with overflow
Weight	18,0 kg
Mounting acc. excl.	Mounting set M10 x 140 mm, order no. 89988.2
Colours	see colour table

SPECIFICATION TEXT

Washbasin LAUFEN PRO LIBERTY, sanitary ceramic

EN 31, EN14688

dimensions 600 x 550 mm, symmetric

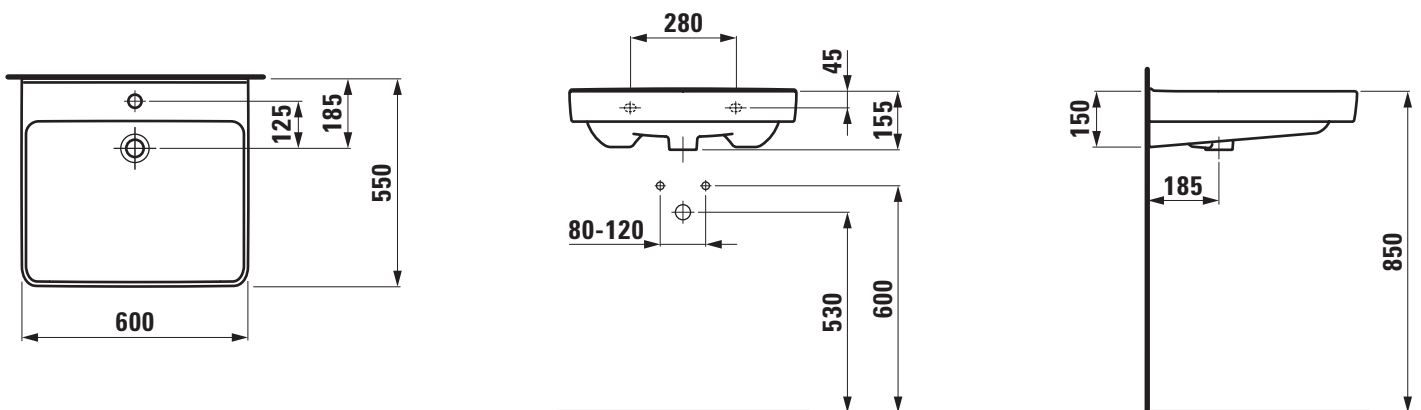
1 centre tap hole, with overflow

Special feature: overflow channel glazed

Further options / accessories: without tap holes, bathtubs, furniture

Order no. 81195.0

TECHNICAL DRAWINGS / S 1 : 20



SET LAUFEN PRO LIBERTY

Barrier free washbasin

81195.0



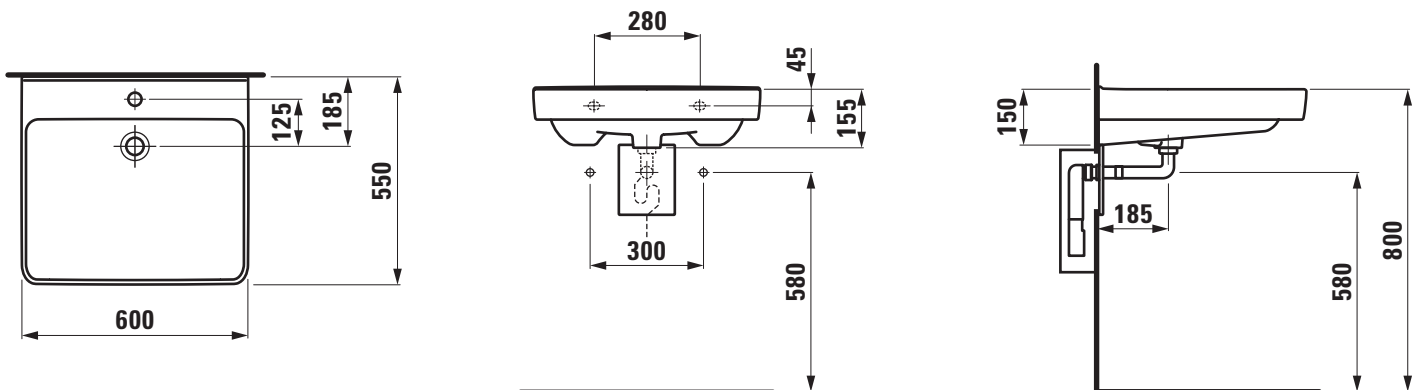
TECHNICAL DATA

Order no.	81195.0
Certified to	DIN 18040, EN 31
Dimensions	600 x 550 mm
Inside dimensions of the basin	530 x 380 mm
Specification	Charge 156 – 1 centre tap hole, without overflow and without open drain
Special specification	Charge 142 – without tap hole without overflow and without open drain
Weight	18,0 kg
Mounting acc. excl.	Mounting set M10 x 140 mm, order no. 89988.2 Concealed siphon, order no. 89390.2
Colours	see colour table

SPECIFICATION TEXT

Barrier free washbasin LAUFEN PRO LIBERTY, sanitary ceramic
DIN 18040, EN 31
dimensions 600 x 550 mm, symmetric
1 centre tap hole, without overflow and open drain,
accessible by wheelchair
Further options / accessories: without tap holes/overflow and open drain,
concealed siphon
Order no. 81195.0

TECHNICAL DRAWINGS / S 1 : 20



SET LAUFEN PRO LIBERTY

Washbasin 81195.3



TECHNICAL DATA

Order no.	81195.3
Certified to	EN 31, EN14688
Dimensions	650 x 550 mm
Inside dimensions of the basin	595 x 400 mm
Specification	Charge 104 – 1 centre tap hole, with overflow
Special specification	Charge 109 – without tap hole, with overflow
Weight	16,5 kg
Mounting acc. excl.	Mounting set M10 x 140 mm, order no. 89988.2
Colours	see colour table

SPECIFICATION TEXT

Washbasin LAUFEN PRO LIBERTY, sanitary ceramic
EN 31, EN14688

dimensions 650 x 550 mm, symmetric

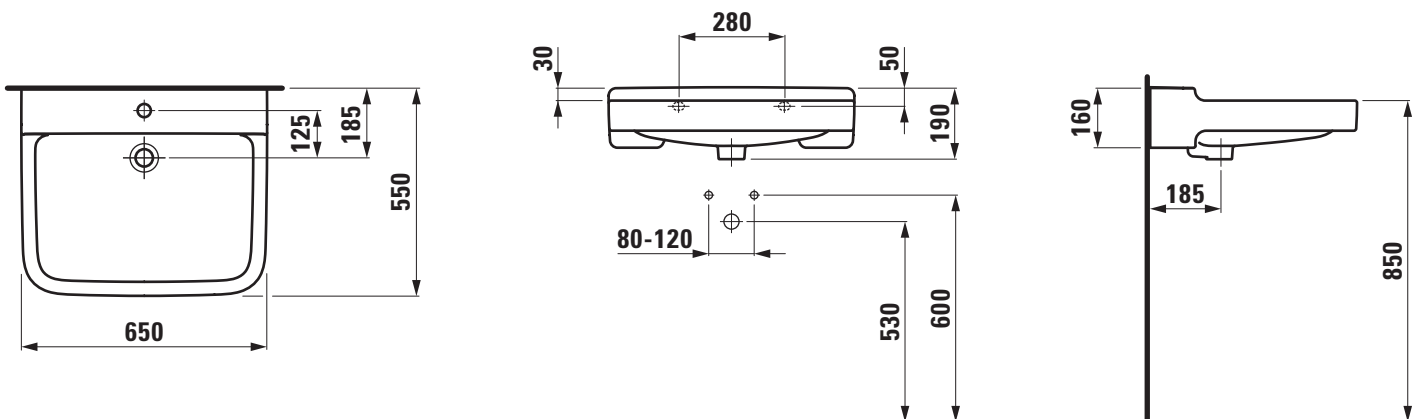
1 centre tap hole, with overflow

Special feature: overflow channel glazed

Further options / accessories: without tap holes, bathtubs, furniture

Order no. 81195.3

TECHNICAL DRAWINGS / S 1 : 20



SET LAUFEN PRO LIBERTY

Barrier free washbasin

81195.3



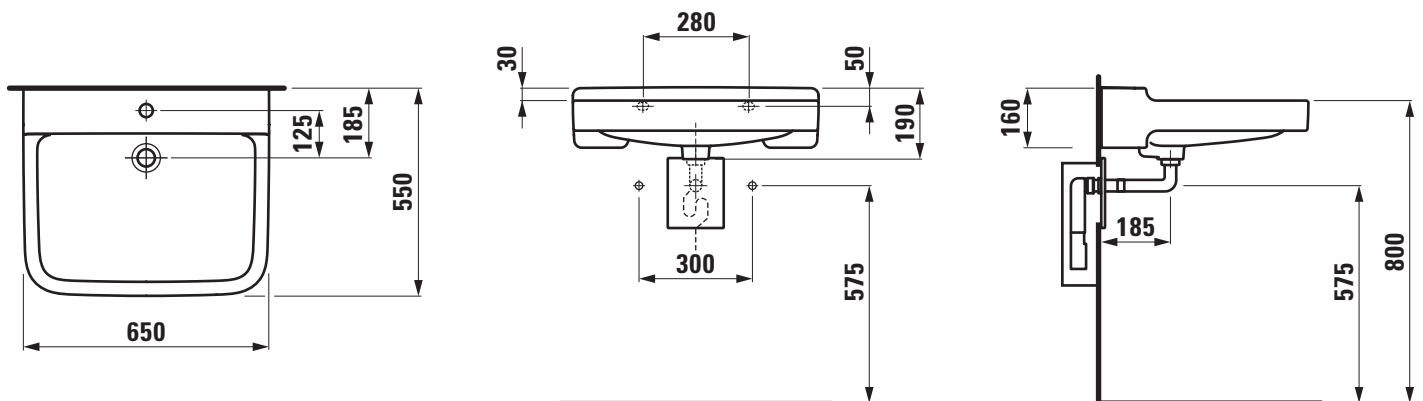
TECHNICAL DATA

Order no.	81195.3
Certified to	DIN 18040, EN 31
Dimensions	650 x 550 mm
Inside dimensions of the basin	595 x 400 mm
Specification	Charge 156 – 1 centre tap hole, without overflow and without open drain
Special specification	Charge 142 – without tap hole without overflow and without open drain
Weight	16,5 kg
Mounting acc. excl.	Mounting set M10 x 140 mm, order no. 89988.2 Concealed siphon, order no. 89390.2
Colours	see colour table

SPECIFICATION TEXT

Barrier free washbasin LAUFEN PRO LIBERTY, sanitary ceramic
DIN 18040, EN 31
dimensions 650 x 550 mm, symmetric
1 centre tap hole, without overflow and open drain,
accessible by wheelchair
Further options / accessories: without tap holes/overflow and open drain,
concealed siphon
Order no. 81195.3

TECHNICAL DRAWINGS / S 1 : 20



SET LAUFEN PRO LIBERTY

Barrier free wallhung WC pan 82095.4



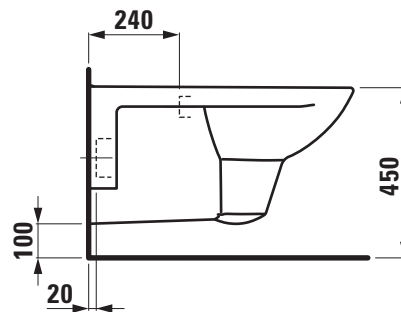
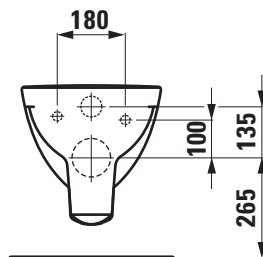
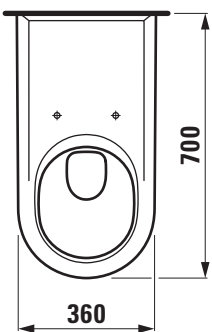
TECHNICAL DATA

Order no.	82095.4
Certified to	EN 997, EN 33
Specification	Washdown for 5,9/3-l-flush, length 700 mm
Weight	25,0 kg
Accessories excl.	Seat, order no. 89295.0, 89895.1 Seat and cover, order no. 89195.0, 89295.1, 89395.2, 89895.0
Colours	see colour table

SPECIFICATION TEXT

Barrier free wallhung WC pan washdown LAUFEN PRO LIBERTY, sanitary ceramic, for concealed cistern
EN 997, EN 33, 5,9/3-l-flush, dimensions 360 x 700 x 350 mm accessible by wheelchair, length 700 mm, higher mounting necessary to achieve a seated height of 480 mm
Special feature: concealed surfaces directing water are fully glazed throughout, vacuum checked
Further options / accessories: WC seat 89295.0, 89895.1, WC seat and cover 89195.0, 89295.1, 89395.2, 89895.0
Order no. 82095.4

TECHNICAL DRAWINGS / S 1 : 20



SET LAUFEN PRO LIBERTY

Barrier free wallhung WC pan

82095.3



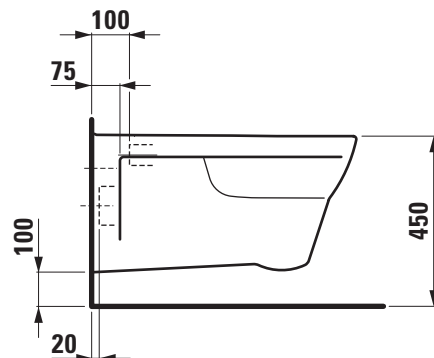
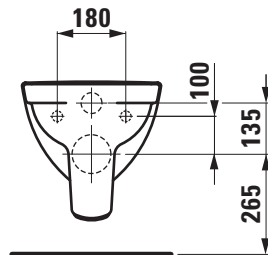
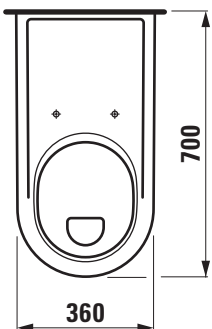
TECHNICAL DATA

Order no.	82095.3
Certified to	EN 997, EN 33
Specification	Washout for 6/3-l-flush, length 700 mm
Weight	18,5 kg
Accessories excl.	Seat, order no. 89295.0, 89895.1 Seat and cover, order no. 89195.0, 89295.1, 89395.2, 89895.0
Colours	see colour table

SPECIFICATION TEXT

Barrier free wallhung WC pan washdown LAUFEN PRO LIBERTY, sanitary ceramic, for concealed cistern
EN 997, EN 33, 6/3-l-flush, dimensions 360 x 700 x 350 mm accessible by wheelchair, length 700 mm, higher mounting necessary to achieve a seated height of 480 mm
Special feature: concealed surfaces directing water are fully glazed throughout, vacuum checked
Further options / accessories: WC seat 89295.0, 89895.1, WC seat and cover 89195.0, 89295.1, 89395.2, 89895.0
Order no. 82095.3

TECHNICAL DRAWINGS / S 1 : 20



SET LAUFEN PRO LIBERTY

Wallhung WC rimless

82196.0



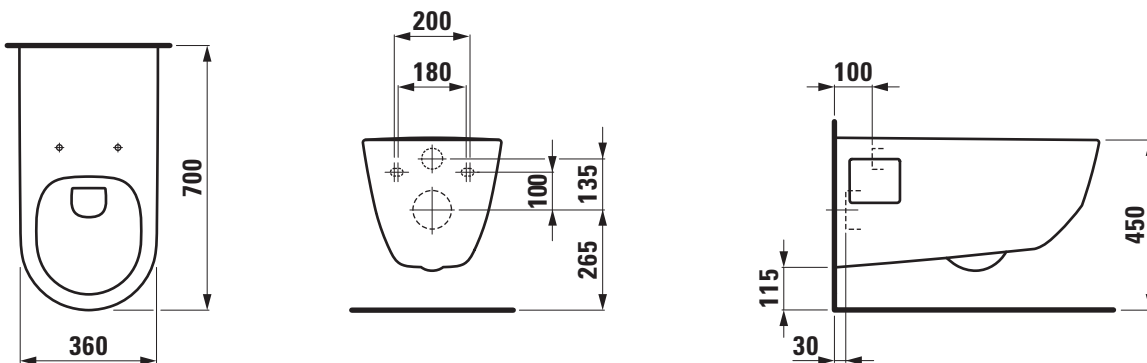
TECHNICAL DATA

Order no.	82196.0
Certified to	EN 977, EN 33
Specification	rimless Washdown for 6/3-l-flush
Weight	30,6 kg
Accessories excl.	Seat, order no. 89895.1 Seat and cover, order no. 89895.0, 89896.0
Colours	see colour table

SPECIFICATION TEXT

Wallhung WC rimless, washdown LAUFEN PRO LIBERTY, sanitary ceramic, for concealed cistern
EN 977, EN 33, 6/3-l-flush, dimensions 360 x 700 x 335 mm
concealed trap, with lateral niches
Special feature: rimless, concealed surfaces directing water are fully glazed throughout, vacuum checked
Further options / accessories: WC seat 89895.1, WC seat and cover 89895.0, 89896.0
Order no. 82196.0

TECHNICAL DRAWINGS / S 1 : 20



SET LAUFEN PRO

Seat and cover Special

89195.0



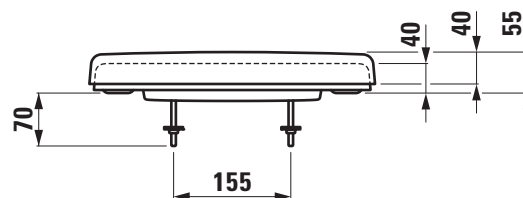
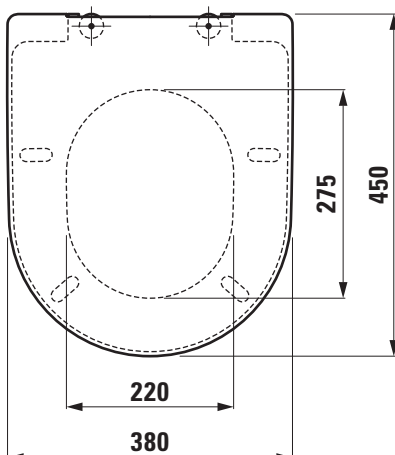
TECHNICAL DATA

Order no.	89195.0
matching for	Floorstanding WC pan, order no. 82195.6, 82195.7, 82195.8, 82195.9, 82295.1, 82495.5, 82495.6, 82495.7, 82495.8, 82495.9, 82595.5, 82595.6, 82595.7 Wallhung WC pan, order no. 82095.0, 82095.1, 82095.3, 82095.4, 82195.2, 82195.4
Specification	removable
Weight	1,9 kg
Mounting acc.	included
Colours	see colour table

SPECIFICATION TEXT

WC seat and cover Spezial LAUFEN PRO, Duroplast removable
 matching floorstanding WC pan, order no. 82195.6, 82195.7, 82195.8, 82195.9, 82295.1, 82495.5, 82495.6, 82495.7, 82495.8, 82495.9, 82595.5, 82595.6, 82595.7 and
 wallhung WC pan, order no. 82095.0, 82095.1, 82095.3, 82095.4, 82195.2, 82195.4
 Order no. 89195.0

TECHNICAL DRAWINGS / S 1 : 10



SET LAUFEN PRO
Seat and cover Standard
89295.1



TECHNICAL DATA

Order no.	89295.1
matching for	Floorstanding WC pan, order no. 82195.6, 82195.7, 82195.8, 82195.9, 82295.1, 82495.5, 82495.6, 82495.7, 82495.8, 82495.9, 82595.5, 82595.6, 82595.7 Wallhung WC pan, order no. 82095.0, 82095.1, 82095.3, 82095.4, 82195.2, 82195.4
Specification	not removable
Weight	1,9 kg
Mounting acc.	included
Colours	see colour table

SPECIFICATION TEXT

WC seat and cover Standard LAUFEN PRO, Duroplast
not removable
matching floorstanding WC pan, order no. 82195.6, 82195.7, 82195.8, 82195.9, 82295.1, 82495.5, 82495.6, 82495.7, 82495.8, 82495.9, 82595.5, 82595.6, 82595.7 and
wallhung WC pan, order no. 82095.0, 82095.1, 82095.3, 82095.4, 82195.2, 82195.4
Order no. 89295.1

**TECHNICAL DATA**

Order no.	89295.0
matching for	Floorstanding WC pan, order no. 82195.6, 82195.7, 82195.8, 82195.9, 82295.1, 82495.5, 82495.6, 82495.7, 82495.8, 82495.9, 82595.5, 82595.6, 82595.7 Wallhung WC pan, order no. 82095.0, 82095.1, 82095.3, 82095.4, 82195.2, 82195.4
Specification	not removable
Weight	1,0 kg
Mounting acc.	included
Colours	see colour table

SPECIFICATION TEXT

WC seat Spezial LAUFEN PRO, Duroplast
not removable
matching floorstanding WC pan, order no. 82195.6, 82195.7, 82195.8, 82195.9, 82295.1, 82495.5, 82495.6, 82495.7, 82495.8, 82495.9, 82595.5, 82595.6, 82595.7 and
wallhung WC pan, order no. 82095.0, 82095.1, 82095.3, 82095.4, 82195.2, 82195.4
Order no. 89295.0

SET LAUFEN PRO

Seat and cover Universal

89395.2



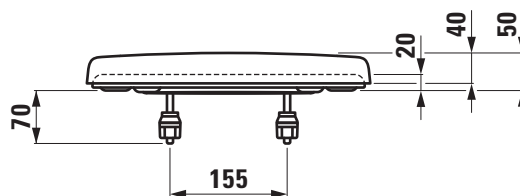
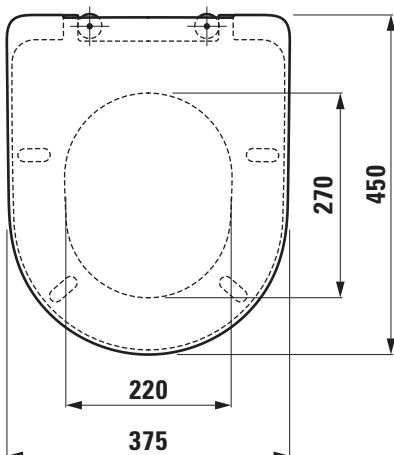
TECHNICAL DATA

Order no.	89395.2
matching for	Floorstanding WC pan, order no. 82195.6, 82195.7, 82195.8, 82195.9, 82295.1, 82495.5, 82495.6, 82495.7, 82495.8, 82495.9, 82595.5, 82595.6, 82595.7 Wallhung WC pan, order no. 82095.0, 82095.1, 82095.3, 82095.4, 82195.2, 82195.4
Specification	removable
Weight	1,9 kg
Mounting acc.	included
Colours	see colour table

SPECIFICATION TEXT

WC seat and cover Universal LAUFEN PRO, Duroplast removable
 matching floorstanding WC pan, order no. 82195.6, 82195.7, 82195.8, 82195.9, 82295.1, 82495.5, 82495.6, 82495.7, 82495.8, 82495.9, 82595.5, 82595.6, 82595.7 and
 wallhung WC pan, order no. 82095.0, 82095.1, 82095.3, 82095.4, 82195.2, 82195.4
 Order no. 89395.2

TECHNICAL DRAWINGS / S 1 : 10



SET LAUFEN PRO LIBERTY

Barrier free seat and cover

89895.0



TECHNICAL DATA

Order no.	89895.0
matching for	Wallhung WC pan, order no. 82095.3, 82095.4, 82196.0
Specification	removable
Weight	3,8 kg
Mounting acc.	included
Colours	see colour table

SPECIFICATION TEXT

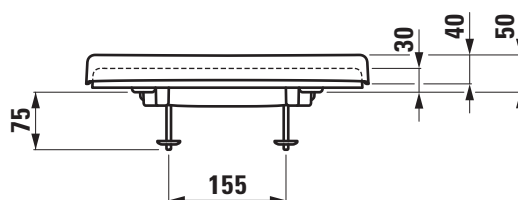
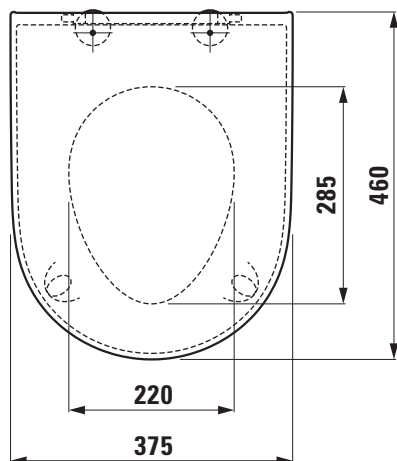
Barrier free WC seat and cover LAUFEN PRO LIBERTY, Duroplast removable

matching wallhung WC pan, order no. 82095.3, 82095.4, 82196.0

Special feature: special strong and robust hinges and buffers

Order no. 89895.0

TECHNICAL DRAWINGS / S 1 : 10



SET LAUFEN PRO LIBERTY

Barrier free seat 89895.1



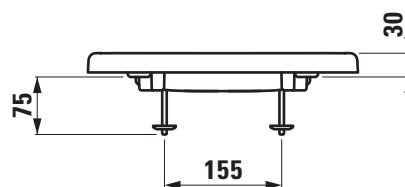
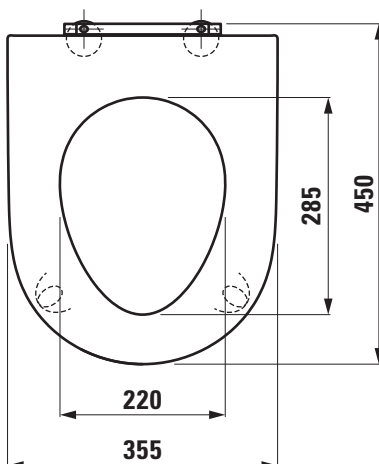
TECHNICAL DATA

Order no.	89895.1
matching for	Wallhung WC pan, order no. 82095.3, 82095.4, 82196.0
Specification	removable
Weight	2,0 kg
Mounting acc.	included
Colours	see colour table

SPECIFICATION TEXT

Barrier free WC seat LAUFEN PRO LIBERTY, Duroplast removable
matching wallhung WC pan, order no. 82095.3, 82095.4, 82196.0
Special feature: special strong and robust hinges and buffers
Order no. 89895.1

TECHNICAL DRAWINGS / S 1 : 10



SET LIBERTYLINE

Barrier free washbasin

81147.8



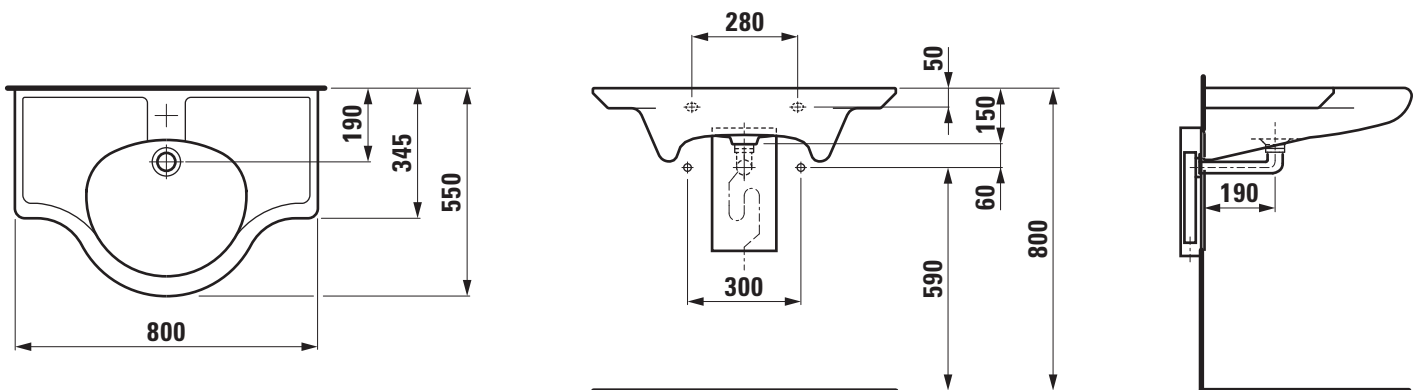
TECHNICAL DATA

Order no.	81147.8
Certified to	DIN 18040, EN 31
Dimensions	800 x 550 mm
Inside dimensions of the basin	415 x 360 mm
Specification	Charge 000 – 1 centre tap hole, without overflow
Weight	20,0 kg
Mounting acc. excl.	Run off and overflow system Clou , order no. 89194.4 Mounting set M10 x 140 mm, order no. 89988.2
Colours	see colour table

SPECIFICATION TEXT

Barrier free washbasin Laufen-LIBERTYLINE, sanitary ceramic
DIN 18040, EN 31
dimensions 800 x 550 mm, symmetric
1 centre tap hole, without overflow
accessible by wheelchair
Further options / accessories: run off and overflow system Clou
Order no. 81147.8

TECHNICAL DRAWINGS / S 1 : 20



**Barrier free wallhung WC pan
82147.0**



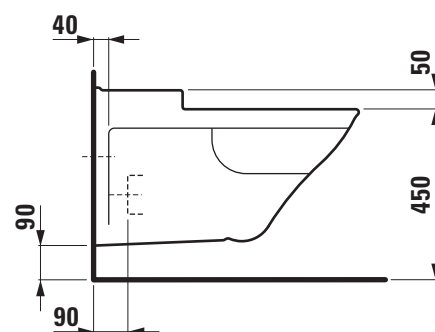
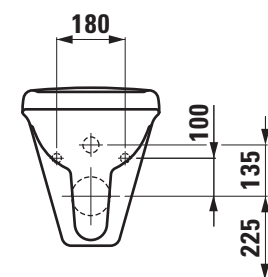
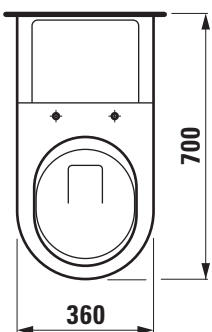
TECHNICAL DATA

Order no.	82147.0
Certified to	DIN 18040, EN 997, EN 33
Specification	Washdown for 6/3-l-flush length 700 mm
Weight	23,5 kg
Accessories excl.	WC seat and cover, order no. 89247.0 WC seat, order no. 89147.0
Mounting acc. excl.	Water outlet and inlet connection Bolt caps chrome, order no. 89263.0 Steel support, order no. 89900.0 Steel support, UK-Version, order no. 89900.1 Kombifix LIV, order no. 89380.0 Cover plate Kombifix, order no. 89380.4
Colours	see colour table

SPECIFICATION TEXT

Barrier free wallhung WC pan washdown Laufen-LIBERTYLINE, sanitary ceramic, for concealed cistern
DIN 18040, EN 997, EN 33, 6/3-l-flush,
dimensions 360 x 700 x 410 mm
accessible by wheelchair, length 700 mm, higher mounting necessary to achieve a seated height of 480 mm
Special feature: concealed surfaces directing water are fully glazed throughout, vacuum checked
Further options / accessories: WC seat, WC seat and cover
Order no. 82147.0

TECHNICAL DRAWINGS / S 1 : 20



SET LIBERTYLINE

Seat and cover

89247.0



TECHNICAL DATA

Order no.	89247.0
matching for	Wallhung WC pan order no. 82147.0
Specification	snap catch for easy removal
Weight	4,0 kg
Mounting acc.	included
Colours	see colour table

SPECIFICATION TEXT

WC seat and cover Laufen-LIBERTYLINE, Duroplast
snap catch for easy removal
matching wallhung WC pan, order no. 82147.0
Order no. 89247.0

**TECHNICAL DATA**

Order no.	89147.0
matching for	Wallhung WC pan order no. 82147.0
Specification	snap catch for easy removal
Weight	3,0 kg
Mounting acc.	included
Colours	see colour table

SPECIFICATION TEXT

WC seat Laufen-LIBERTYLINE, Duroplast
snap catch for easy removal
matching wallhung WC pan, order no. 82147.0
Order no. 89147.0

**Barrier free washbasin
81060.3**



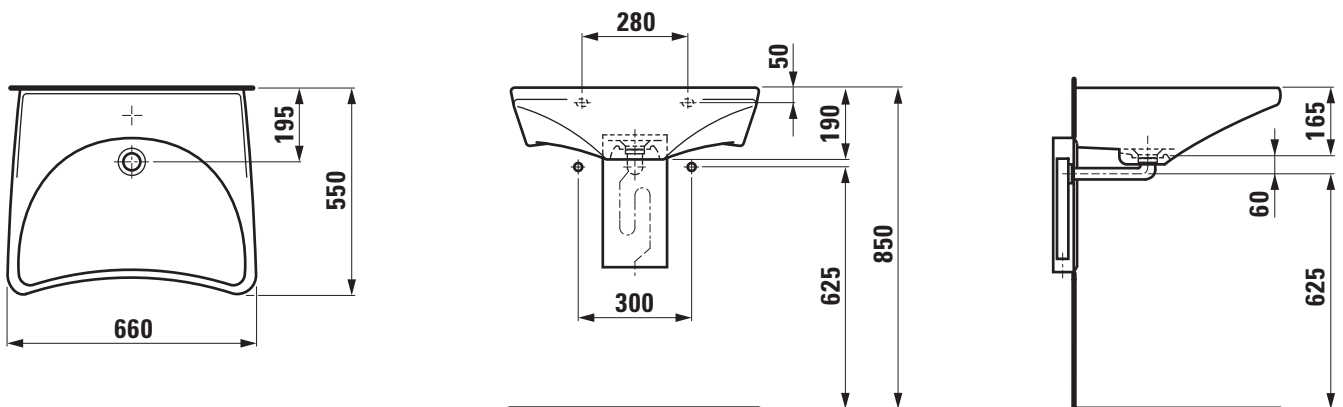
TECHNICAL DATA

Order no.	81060.3
Certified to	DIN 18040
Dimensions	660 x 550 mm
Inside dimensions of the basin	660 x 550 mm
Specification	Charge 000 – without tap hole, without overflow
Special specification	Charge 104 – 1 centre tap hole
Weight	17,0 kg
Mounting acc. excl.	Concealed siphon, order no. 89390.0 Mounting set M10 x 140 mm, order no. 89988.2
Colours	see colour table

SPECIFICATION TEXT

Barrier free washbasin Laufen-REHAB, sanitary ceramic
DIN 18040
dimensions 660 x 550 mm, symmetric
without tap hole, without overflow
accessible by wheelchair
Further options / accessories: 1 centre tap hole, concealed siphon
Order no. 81060.3

TECHNICAL DRAWINGS / S 1 : 20



SET LIBERTYLINE

Barrier free washbasin

81147.8



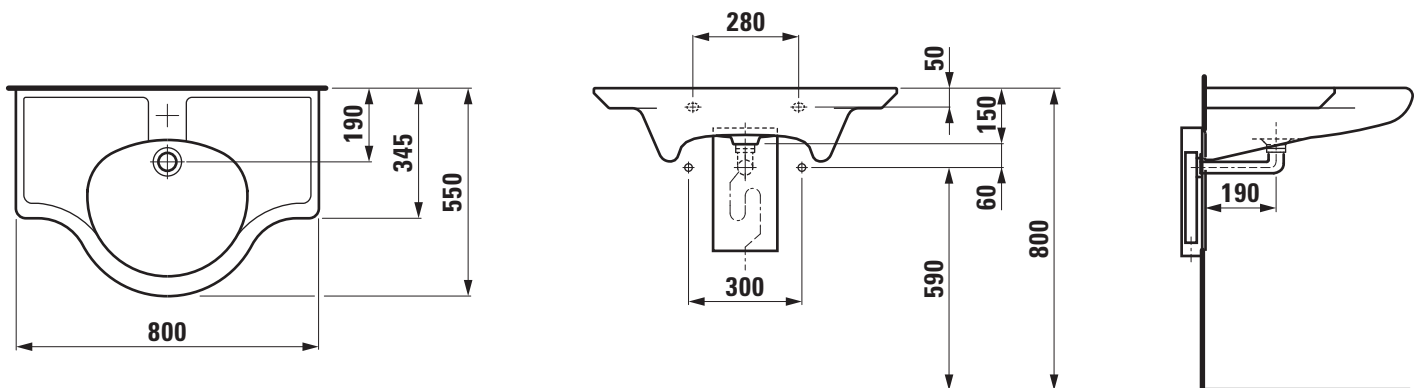
TECHNICAL DATA

Order no.	81147.8
Certified to	DIN 18040, EN 31
Dimensions	800 x 550 mm
Inside dimensions of the basin	415 x 360 mm
Specification	Charge 000 – 1 centre tap hole, without overflow
Weight	20,0 kg
Mounting acc. excl.	Run off and overflow system Clou , order no. 89194.4 Mounting set M10 x 140 mm, order no. 89988.2
Colours	see colour table

SPECIFICATION TEXT

Barrier free washbasin Laufen-LIBERTYLINE, sanitary ceramic
DIN 18040, EN 31
dimensions 800 x 550 mm, symmetric
1 centre tap hole, without overflow
accessible by wheelchair
Further options / accessories: run off and overflow system Clou
Order no. 81147.8

TECHNICAL DRAWINGS / S 1 : 20





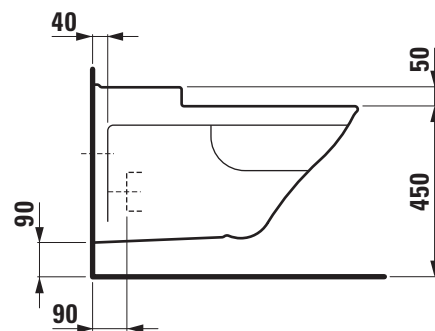
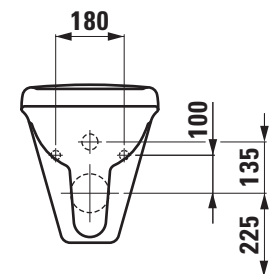
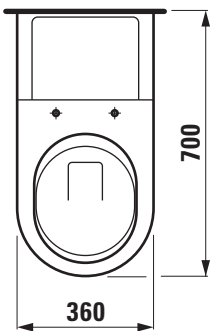
TECHNICAL DATA

Order no.	82147.0
Certified to	DIN 18040, EN 997, EN 33
Specification	Washdown for 6/3-l-flush length 700 mm
Weight	23,5 kg
Accessories excl.	WC seat and cover, order no. 89247.0 WC seat, order no. 89147.0
Mounting acc. excl.	Water outlet and inlet connection Bolt caps chrome, order no. 89263.0 Steel support, order no. 89900.0 Steel support, UK-Version, order no. 89900.1 Kombifix LIV, order no. 89380.0 Cover plate Kombifix, order no. 89380.4
Colours	see colour table

SPECIFICATION TEXT

Barrier free wallhung WC pan washdown Laufen-LIBERTYLINE, sanitary ceramic, for concealed cistern
DIN 18040, EN 997, EN 33, 6/3-l-flush,
dimensions 360 x 700 x 410 mm
accessible by wheelchair, length 700 mm, higher mounting necessary to achieve a seated height of 480 mm
Special feature: concealed surfaces directing water are fully glazed throughout, vacuum checked
Further options / accessories: WC seat, WC seat and cover
Order no. 82147.0

TECHNICAL DRAWINGS / S 1 : 20



SET LIBERTYLINE

Seat and cover 89247.0



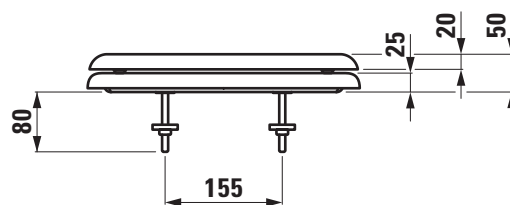
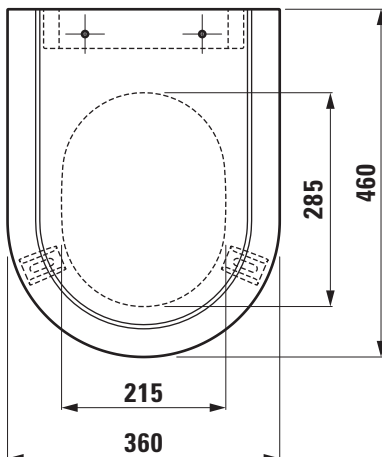
TECHNICAL DATA

Order no.	89247.0
matching for	Wallhung WC pan order no. 82147.0
Specification	snap catch for easy removal
Weight	4,0 kg
Mounting acc.	included
Colours	see colour table

SPECIFICATION TEXT

WC seat and cover Laufen-LIBERTYLINE, Duroplast
snap catch for easy removal
matching wallhung WC pan, order no. 82147.0
Order no. 89247.0

TECHNICAL DRAWINGS / S 1 : 10





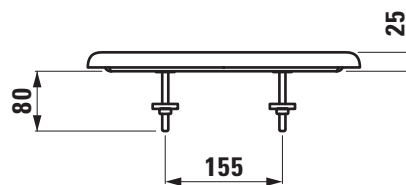
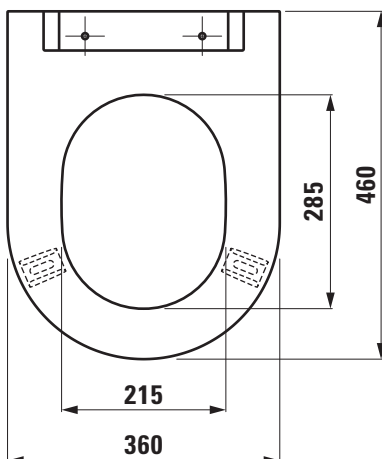
TECHNICAL DATA

Order no.	89147.0
matching for	Wallhung WC pan order no. 82147.0
Specification	snap catch for easy removal
Weight	3,0 kg
Mounting acc.	included
Colours	see colour table

SPECIFICATION TEXT

WC seat Laufen-LIBERTYLINE, Duroplast
 snap catch for easy removal
 matching wallhung WC pan, order no. 82147.0
 Order no. 89147.0

TECHNICAL DRAWINGS / S 1 : 10





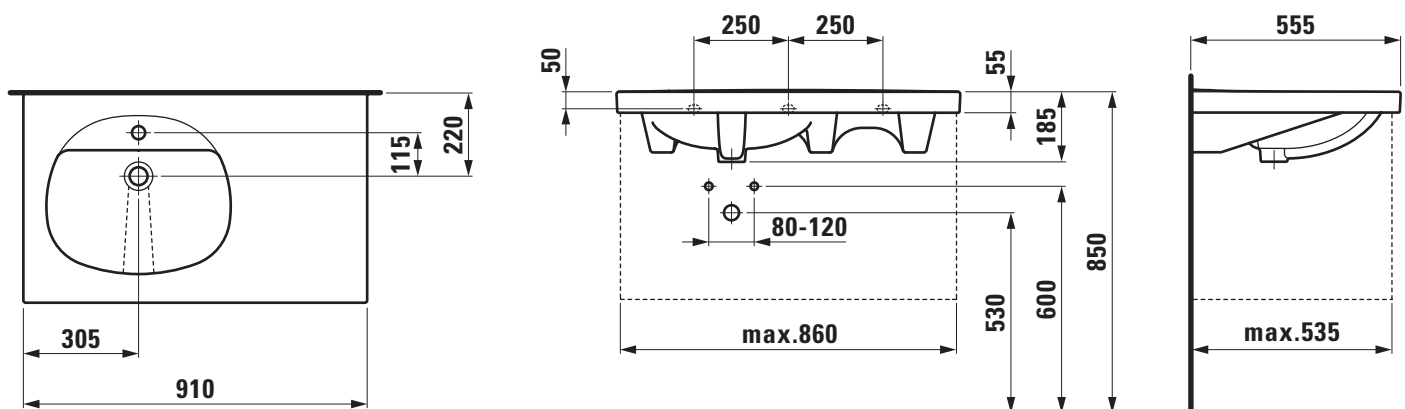
TECHNICAL DATA

Order no.	81467.1
Certified to	EN 31
Dimensions	910 x 555 mm
Specification	Charge 104 – 1 centre tap hole
Weight	27,0 kg
Mounting acc. excl.	2x Mounting set M10 x 140 mm, order no. 89988.2
Colours	see colour table

SPECIFICATION TEXT

Countertop basin Laufen-TALUX, sanitary ceramic
EN 31
dimensions 910 x 555 mm, angular
basin left, 1 centre tap hole, overflow in front
Special feature: overflow channel glazed, integrated shelf right
Order no. 81467.1

TECHNICAL DRAWINGS / S 1 : 20





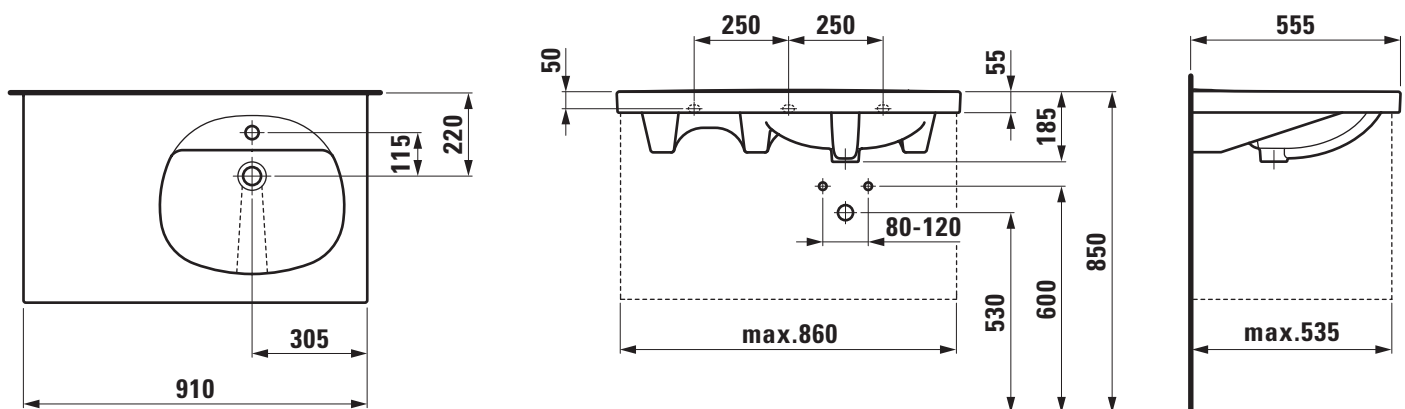
TECHNICAL DATA

Order no.	81467.2
Certified to	EN 31
Dimensions	910 x 555 mm
Specification	Charge 104 – 1 centre tap hole
Weight	27,0 kg
Mounting acc. excl.	2x Mounting set M10 x 140 mm, order no. 89988.2
Colours	see colour table

SPECIFICATION TEXT

Countertop basin Laufen-TALUX, sanitary ceramic
 EN 31
 dimensions 910 x 555 mm, angular
 basin right, 1 centre tap hole, overflow in front
 Special feature: overflow channel glazed, integrated shelf left
 Order no. 81467.2

TECHNICAL DRAWINGS / S 1 : 20





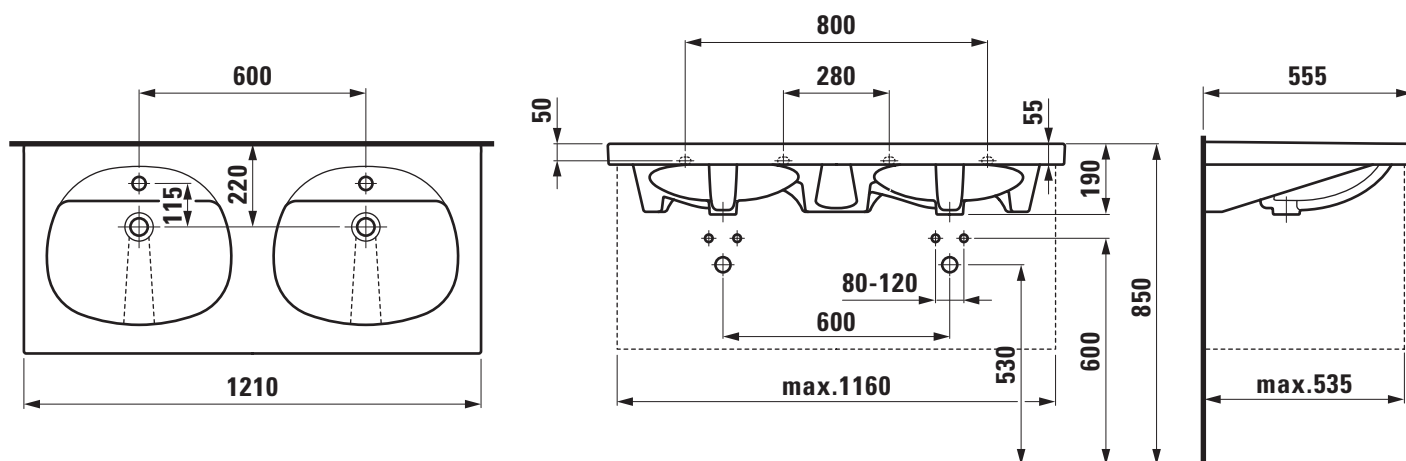
TECHNICAL DATA

Order no.	81467.7
Certified to	EN 31
Dimensions	1210 x 555 mm
Specification	Charge 104 – per basin 1 centre tap hole
Weight	36,0 kg
Mounting acc. excl.	2x Mounting set M10 x 140 mm, order no. 89988.2
Colours	see colour table

SPECIFICATION TEXT

Double countertop basin Laufen-TALUX, sanitary ceramic EN 31
 dimensions 1210 x 555 mm, angular
 per basin 1 centre tap hole, overflow in front
 Special feature: overflow channel glazed, integrated shelf left
 Order no. 81467.7

TECHNICAL DRAWINGS / S 1 : 20





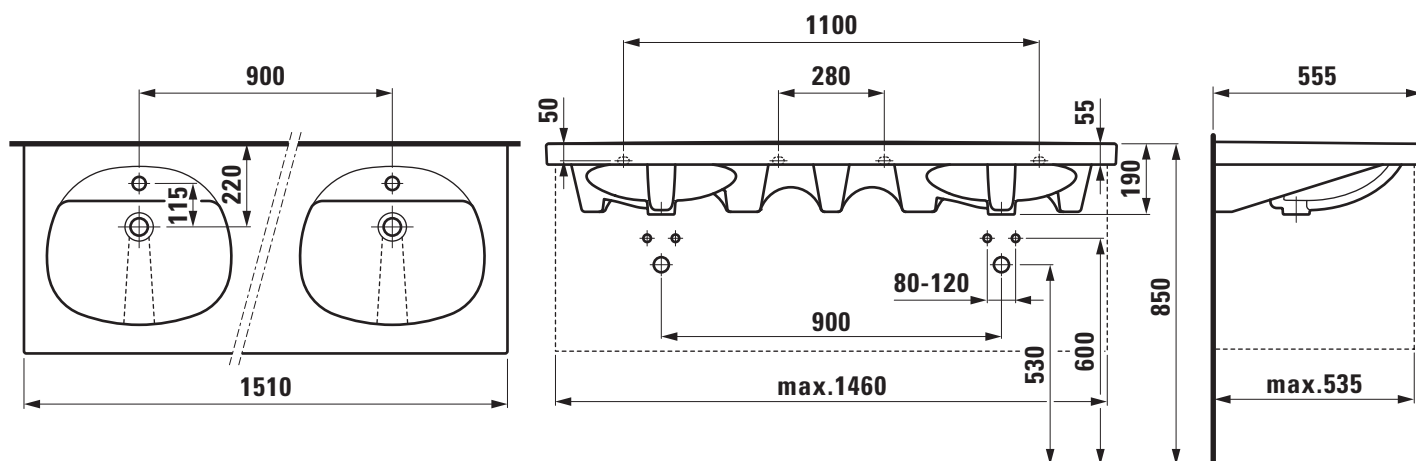
TECHNICAL DATA

Order no.	81467.8
Certified to	EN 31
Dimensions	1510 x 555 mm
Specification	Charge 104 – per basin 1 centre tap hole
Weight	46,0 kg
Mounting acc. excl.	2x Mounting set M10 x 140 mm, order no. 89988.2
Colours	see colour table

SPECIFICATION TEXT

Double countertop basin Laufen-TALUX, sanitary ceramic EN 31
 dimensions 1510 x 555 mm, angular
 per basin 1 centre tap hole, overflow in front
 Special feature: overflow channel glazed, integrated shelf
 Order no. 81467.8

TECHNICAL DRAWINGS / S 1 : 20



BUILT IN BASINS



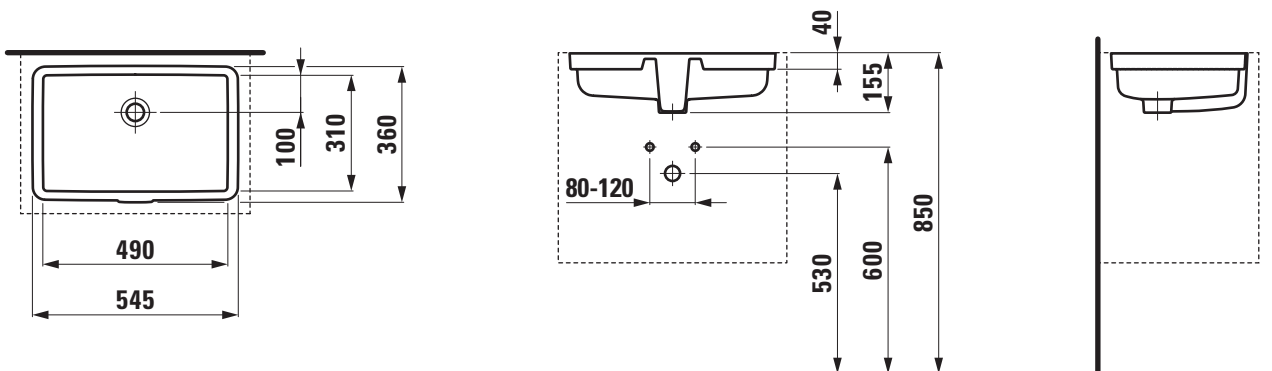
TECHNICAL DATA

Order no.	81243.0
Dimensions	545 x 360 mm
Inside dimensions of the basin	490 x 310 mm
Specification	Charge 109 – without tap hole
Special specification	Charge 155 – glazed outer surface
Weight	8,0 kg
Mounting acc. incl.	Mounting set, order no. 89296.3
Colours	see colour table

SPECIFICATION TEXT

Built in basin not grinded LIVING CITY, sanitary ceramic dimensions 545 x 360 mm, angular without tap hole, overflow in front
 Special feature: overflow channel glazed
 Further options / accessories: glazed outer surface, furniture
 Order no. 81243.0

TECHNICAL DRAWINGS / S 1 : 20



SET LIVING CITY
Built in basin grinded
81243.1



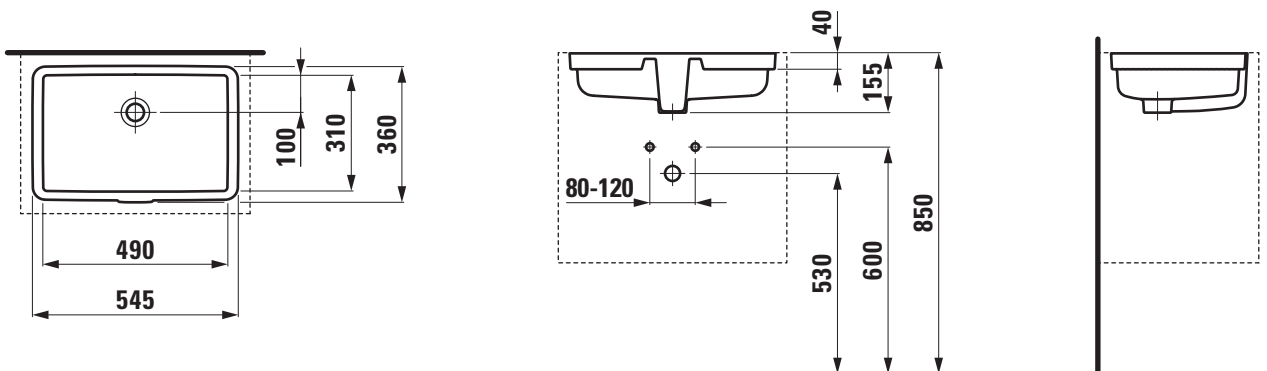
TECHNICAL DATA

Order no.	81243.1
Dimensions	545 x 360 mm
Inside dimensions of the basin	490 x 310 mm
Specification	Charge 109 – without tap hole
Special specification	Charge 155 – glazed outer surface
Weight	8,0 kg
Mounting acc. incl.	Mounting set, order no. 89296.3
Colours	see colour table

SPECIFICATION TEXT

Built in basin grinded LIVING CITY, sanitary ceramic dimensions 545 x 360 mm, angular without tap hole, overflow in front
 Special feature: overflow channel glazed
 Further options / accessories: glazed outer surface, furniture
 Order no. 81243.1

TECHNICAL DRAWINGS / S 1 : 20





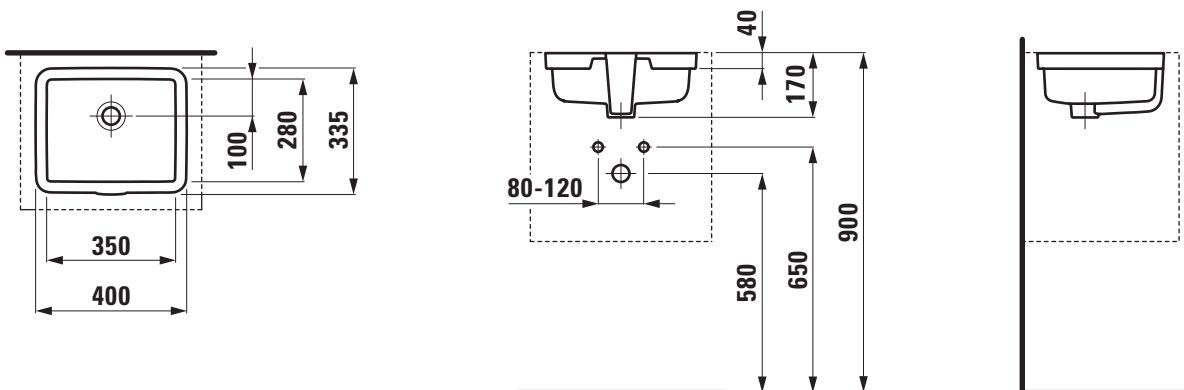
TECHNICAL DATA

Order no.	81243.4
Certified to	EN 31
Dimensions	400 x 335 mm
Inside dimensions of the basin	350 x 280 mm
Specification	Charge 109 – without tap hole
Special specification	Charge 155 – glazed outer surface
Weight	
Mounting acc. incl.	Template, order no. 89815.5 Mounting set, order no. 89296.3
Colours	see colour table

SPECIFICATION TEXT

Built in basin not grinded LIVING CITY, sanitary ceramic EN 31
 dimensions 400 x 335 mm, angular
 without tap hole, overflow in front
 Special feature: overflow channel glazed
 Further options / accessories: glazed outer surface, furniture
 Order no. 81243.4

TECHNICAL DRAWINGS / S 1 : 20



SET LIVING CITY
Built in basin grinded
81243.2



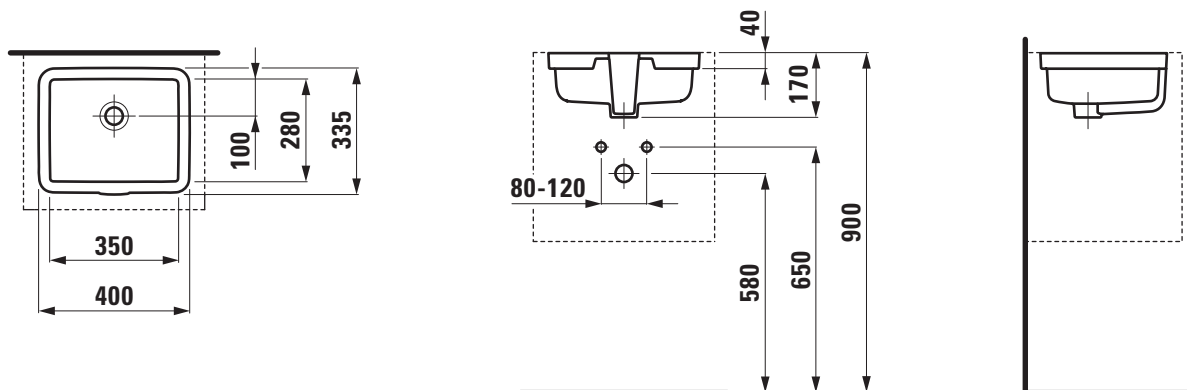
TECHNICAL DATA

Order no.	81243.2
Certified to	EN 31
Dimensions	400 x 335 mm
Inside dimensions of the basin	350 x 280 mm
Specification	Charge 109 – without tap hole
Special specification	Charge 155 – glazed outer surface
Weight	
Mounting acc. incl.	Template, order no. 89815.5 Mounting set, order no. 89296.3
Colours	see colour table

SPECIFICATION TEXT

Built in basin grinded LIVING CITY, sanitary ceramic
 EN 31
 dimensions 400 x 335 mm, angular
 without tap hole, overflow in front
 Special feature: overflow channel glazed
 Further options / accessories: glazed outer surface, furniture
 Order no. 81243.2

TECHNICAL DRAWINGS / S 1 : 20





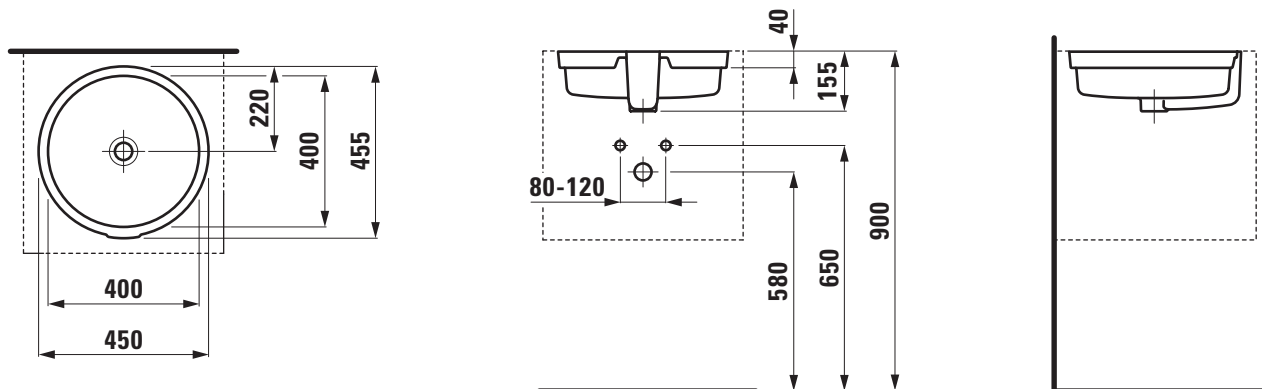
TECHNICAL DATA

Order no.	81343.8
Dimensions	450 x 455 mm
Inside dimensions of the basin	Ø 400 mm
Specification	Charge 109 – without tap hole
Special specification	Charge 155 – glazed outer surface
Weight	7,0 kg
Mounting acc. incl.	Template, order no. 89815.6 Mounting set, order no. 89296.3
Colours	see colour table

SPECIFICATION TEXT

Built in basin not grinded LIVING CITY, sanitary ceramic dimensions 450 x 455 mm, round without tap hole, overflow in front
 Special feature: overflow channel glazed
 Further options / accessories: glazed outer surface, furniture
 Order no. 81343.8

TECHNICAL DRAWINGS / S 1 : 20





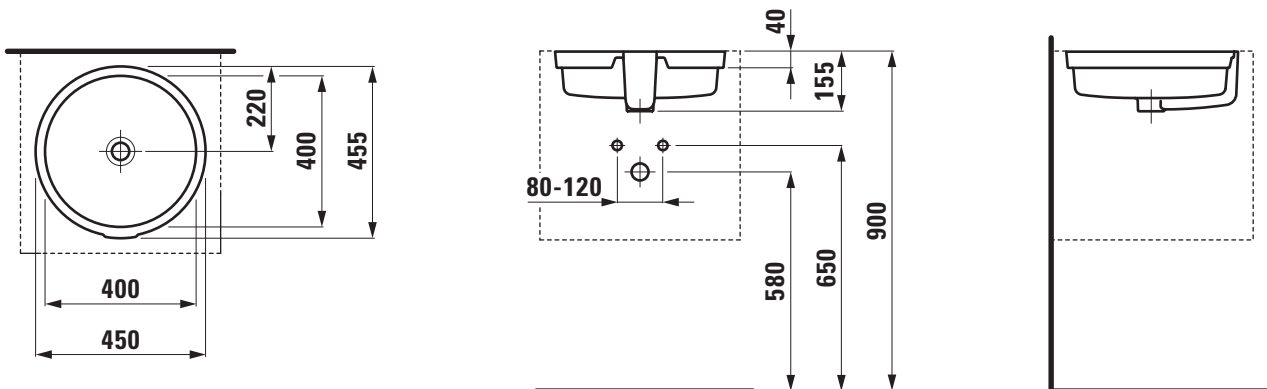
TECHNICAL DATA

Order no.	81343.9
Dimensions	450 x 455 mm
Inside dimensions of the basin	Ø 400 mm
Specification	Charge 109 – without tap hole
Special specification	Charge 155 – glazed outer surface
Weight	7,0 kg
Mounting acc. incl.	Template, order no. 89815.6 Mounting set, order no. 89296.3
Colours	see colour table

SPECIFICATION TEXT

Built in basin grinded LIVING CITY, sanitary ceramic dimensions 450 x 455 mm, round without tap hole, overflow in front
Special feature: overflow channel glazed
Further options / accessories: glazed outer surface, furniture
Order no. 81343.9

TECHNICAL DRAWINGS / S 1 : 20



SET LAUFEN PRO S
Built in basin grinded
81196.6



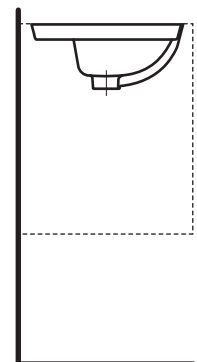
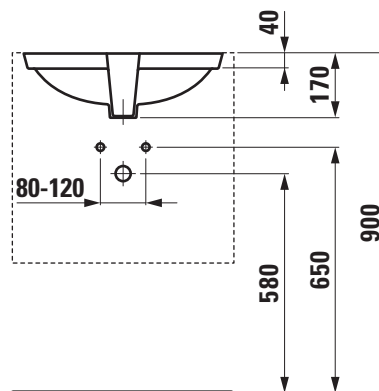
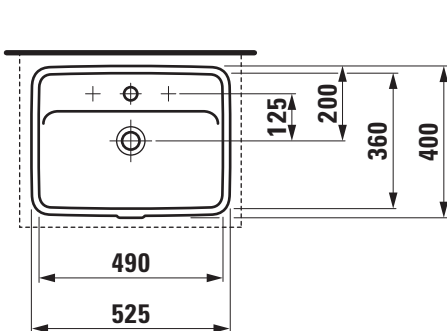
TECHNICAL DATA

Order no.	81196.6
Dimensions	525 x 400 mm
Inside dimensions of the basin	490 x 360 mm
Specification	Charge 104 – 1 centre tap hole
Special specification	Charge 108 – 3 tap holes Charge 109 – without tap hole
Weight	8,0 kg
Mounting acc. incl.	Template, order no. 89790.4 Mounting set, order no. 89296.3
Colours	see colour table

SPECIFICATION TEXT

Built in basin grinded LAUFEN PRO S, sanitary ceramic dimensions 525 x 400 mm, inside dimensions of the basin 490 x 360 mm, angular
 1 centre tap hole, overflow in front
 Special feature: overflow channel glazed
 Further options / accessories: Surface refinement LCC (only white), 3 tap holes, without tap holes, bathtubs, furniture
 Order no. 81196.6

TECHNICAL DRAWINGS / S 1 : 20



SET LAUFEN PRO S

Built in basin not grinded

81196.0



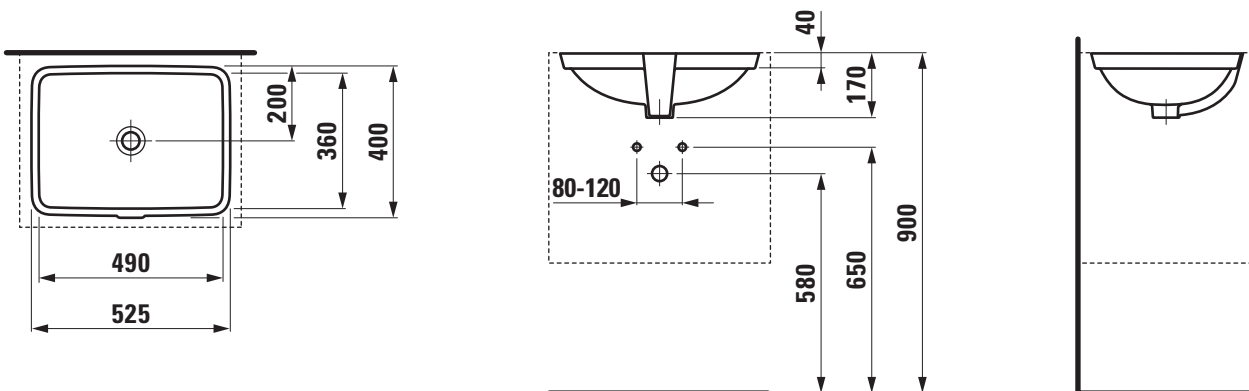
TECHNICAL DATA

Order no.	81196.0
Dimensions	525 x 400 mm
Inside dimensions of the basin	490 x 360 mm
Specification	Charge 109 – without tap hole
Weight	8,0 kg
Mounting acc. incl.	Template, order no. 89790.4 Mounting set, order no. 89296.3
Colours	see colour table

SPECIFICATION TEXT

Built in basin not grinded LAUFEN PRO S, sanitary ceramic dimensions 525 x 400 mm, inside dimensions of the basin 490 x 360 mm, angular
without tap hole, overflow in front
Special feature: overflow channel glazed
Further options / accessories: Surface refinement LCC (only white), bathtubs, furniture
Order no. 81196.0

TECHNICAL DRAWINGS / S 1 : 20



SET LAUFEN PRO S
Built in basin grinded
81196.1



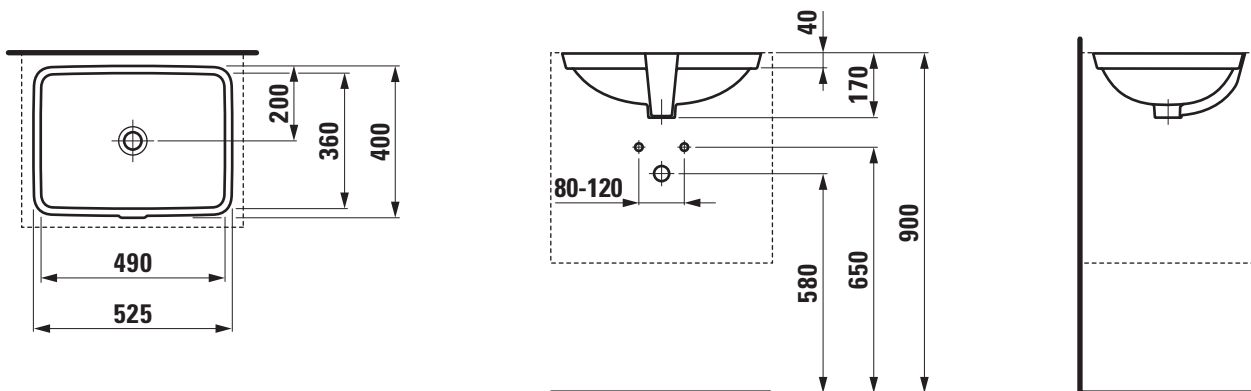
TECHNICAL DATA

Order no.	81196.1
Dimensions	525 x 400 mm
Inside dimensions of the basin	490 x 360 mm
Specification	Charge 109 – without tap hole
Weight	8,0 kg
Mounting acc. incl.	Template, order no. 89790.4 Mounting set, order no. 89296.3
Colours	see colour table

SPECIFICATION TEXT

Built in basin grinded LAUFEN PRO S, sanitary ceramic dimensions 525 x 400 mm, inside dimensions of the basin 490 x 360 mm, angular
 without tap hole, overflow in front
 Special feature: overflow channel glazed
 Further options / accessories: Surface refinement LCC (only white), bathtubs, furniture
 Order no. 81196.1

TECHNICAL DRAWINGS / S 1 : 20



SET LAUFEN PRO S
Built in basin not grinded
81196.3



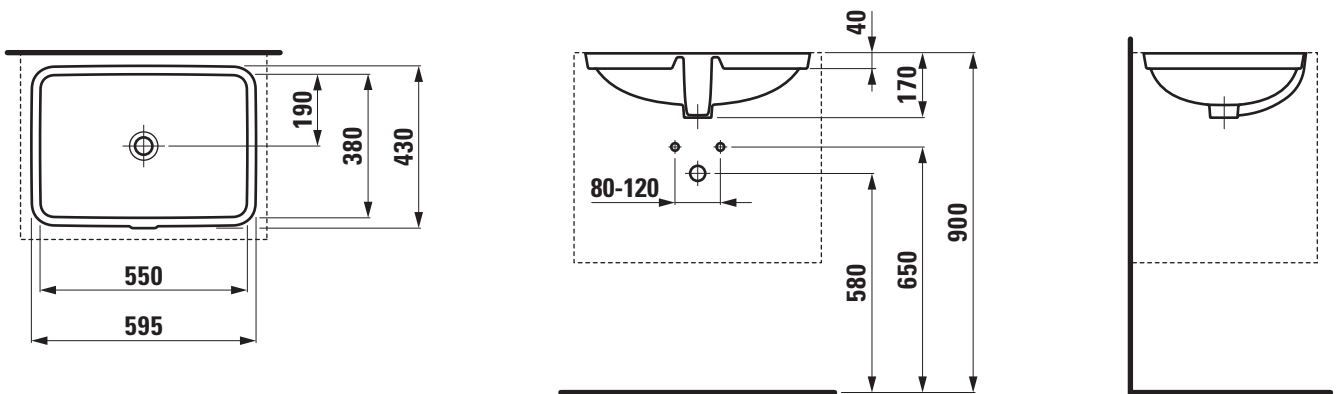
TECHNICAL DATA

Order no.	81196.3
Certified to	EN 31
Dimensions	595 x 430 mm
Inside dimensions of the basin	550 x 380 mm
Specification	Charge 109 – without tap hole
Weight	9,0 kg
Mounting acc. incl.	Template, order no. 89790.6 Mounting set, order no. 89296.3
Colours	see colour table

SPECIFICATION TEXT

Built in basin not grinded LAUFEN PRO S, sanitary ceramic EN 31 dimensions 595 x 430 mm, inside dimensions of the basin 550 x 380 mm, angular without tap hole, overflow in front
 Special feature: overflow channel glazed
 Further options / accessories: Surface refinement LCC (only white), bathtubs, furniture
 Order no. 81196.3

TECHNICAL DRAWINGS / S 1 : 20



SET LAUFEN PRO S
Built in basin grinded
81196.8



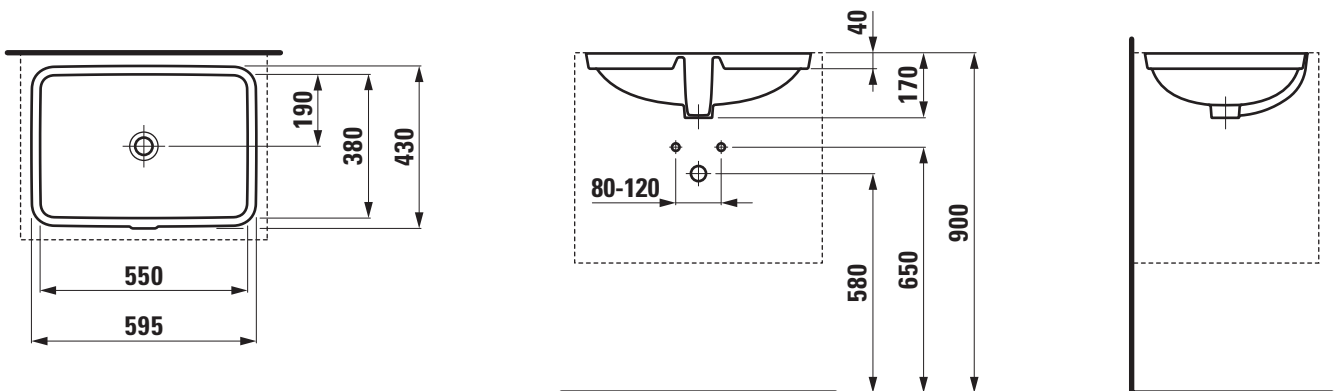
TECHNICAL DATA

Order no.	81196.8
Certified to	EN 31
Dimensions	595 x 430 mm
Inside dimensions of the basin	550 x 380 mm
Specification	Charge 109 – without tap hole
Weight	9,0 kg
Mounting acc. incl.	Template, order no. 89790.6 Mounting set, order no. 89296.3
Colours	see colour table

SPECIFICATION TEXT

Built in basin grinded LAUFEN PRO S, sanitary ceramic EN 31 dimensions 595 x 430 mm, inside dimensions of the basin 550 x 380 mm, angular without tap hole, overflow in front
 Special feature: overflow channel glazed
 Further options / accessories: Surface refinement LCC (only white), bathtubs, furniture
 Order no. 81196.8

TECHNICAL DRAWINGS / S 1 : 20



SET LAUFEN PRO S

Built in basin not grinded 81196.5



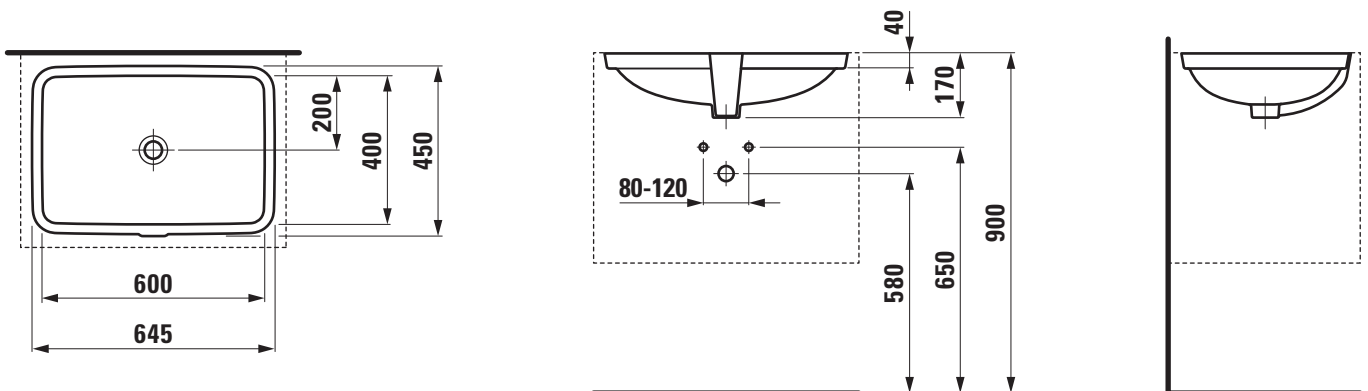
TECHNICAL DATA

Order no.	81196.5
Certified to	EN 31
Dimensions	645 x 450 mm
Inside dimensions of the basin	600 x 400 mm
Specification	Charge 109 – without tap hole
Weight	9,5 kg
Mounting acc. incl.	Template, order no. 89790.5 Mounting set, order no. 89296.3
Colours	see colour table

SPECIFICATION TEXT

Built in basin not grinded LAUFEN PRO S, sanitary ceramic EN 31 dimensions 645 x 450 mm, inside dimensions of the basin 600 x 400 mm, angular without tap hole, overflow in front
 Special feature: overflow channel glazed
 Further options / accessories: Surface refinement LCC (only white), bathtubs, furniture
 Order no. 81196.5

TECHNICAL DRAWINGS / S 1 : 20



SET LAUFEN PRO S
Built in basin grinded
81196.9



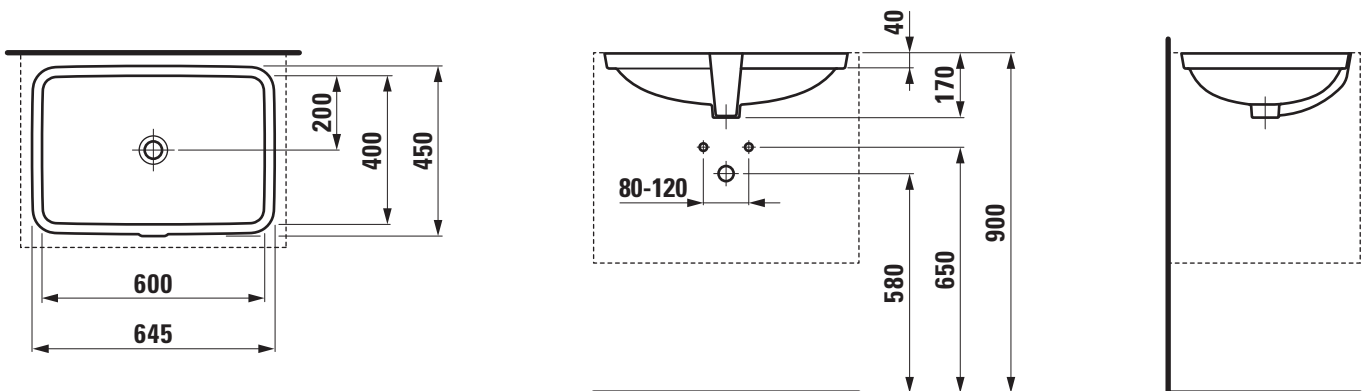
TECHNICAL DATA

Order no.	81196.9
Certified to	EN 31
Dimensions	645 x 450 mm
Inside dimensions of the basin	600 x 400 mm
Specification	Charge 109 – without tap hole
Weight	9,5 kg
Mounting acc. incl.	Template, order no. 89790.5 Mounting set, order no. 89296.3
Colours	see colour table

SPECIFICATION TEXT

Built in basin grinded LAUFEN PRO S, sanitary ceramic EN 31 dimensions 645 x 450 mm, inside dimensions of the basin 600 x 400 mm, angular without tap hole, overflow in front
 Special feature: overflow channel glazed
 Further options / accessories: Surface refinement LCC (only white), bathtubs, furniture
 Order no. 81196.9

TECHNICAL DRAWINGS / S 1 : 20



SET LAUFEN PRO B

Built in basin not grinded 81896.1



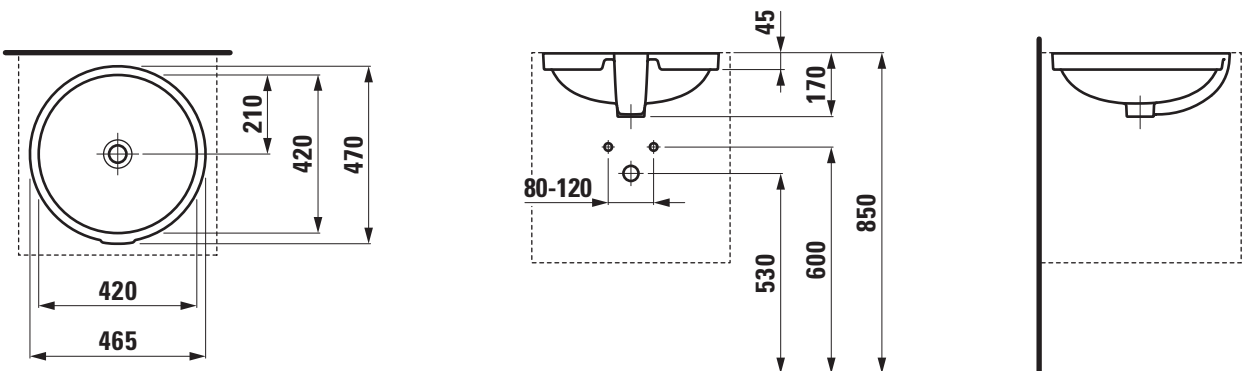
TECHNICAL DATA

Order no.	81896.1
Certified to	EN 31
Dimensions	465 x 470 mm
Inside dimensions of the basin	420 x 420 mm
Specification	Charge 109 – without tap hole
Weight	9,5 kg
Mounting acc. incl.	Template, order no. 89696.0 Mounting set, order no. 89296.3
Colours	see colour table

SPECIFICATION TEXT

Built in basin not grinded LAUFEN PRO B, sanitary ceramic EN 31 dimensions 465 x 470 mm, inside dimensions of the basin 420 x 420 mm, round without tap hole, overflow in front
 Special feature: overflow channel glazed
 Further options / accessories: Surface refinement LCC (only white), bathtubs, furniture
 Order no. 81896.1

TECHNICAL DRAWINGS / S 1 : 20



SET LAUFEN PRO B
Built in basin grinded
81896.2



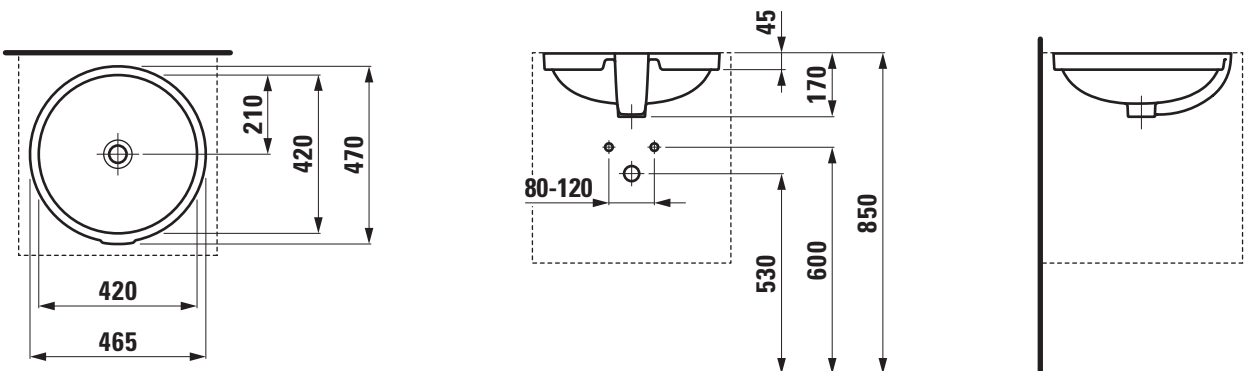
TECHNICAL DATA

Order no.	81896.2
Certified to	EN 31
Dimensions	465 x 470 mm
Inside dimensions of the basin	420 x 420 mm
Specification	Charge 109 – without tap hole
Weight	9,5 kg
Mounting acc. incl.	Template, order no. 89696.0 Mounting set, order no. 89296.3
Colours	see colour table

SPECIFICATION TEXT

Built in basin grinded LAUFEN PRO B, sanitary ceramic EN 31 dimensions 465 x 470 mm, inside dimensions of the basin 420 x 420 mm, round without tap hole, overflow in front
 Special feature: overflow channel glazed
 Further options / accessories: Surface refinement LCC (only white), bathtubs, furniture
 Order no. 81896.2

TECHNICAL DRAWINGS / S 1 : 20



SET BIJOU

Built in basin grinded

81122.0



TECHNICAL DATA

Order no.	81122.0
Dimensions	445 x 400 mm
Inside dimensions of the basin	415 x 365 mm
Specification	Charge 000 – 1 centre tap hole
Special specification	Charge 111 – 1 centre tap hole, without overflow
Weight	7,0 kg
Mounting acc. incl.	Template, order no. 89980.1
Mounting acc. excl.	Mounting set, order no. 89904.0
Colours	see colour table

SPECIFICATION TEXT

Built in basin grinded Laufen-BIJOU, sanitary ceramic dimensions 455 x 400 mm, inside dimensions of the basin 415 x 365 mm, symmetric

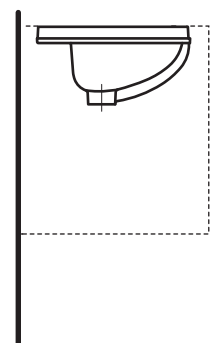
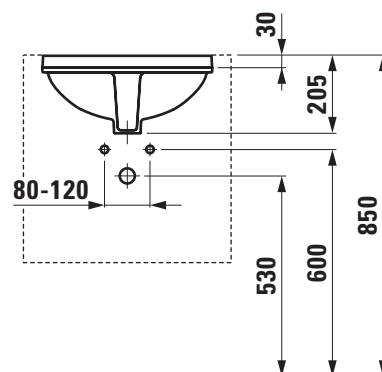
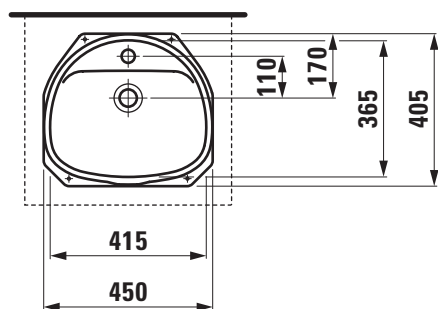
1 centre tap hole, overflow in front

Special feature: overflow channel glazed

Further options: with or without overflow

Order no. 81122.0

TECHNICAL DRAWINGS / S 1 : 20





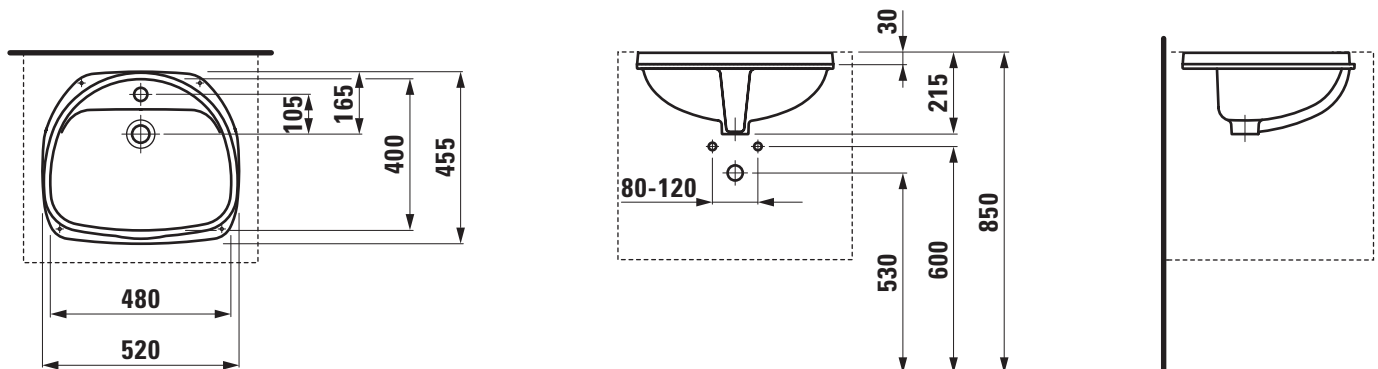
TECHNICAL DATA

Order no.	81123.0
Dimensions	520 x 455 mm
Inside dimensions of the basin	480 x 400 mm
Specification	Charge 000 – 1 centre tap hole
Special specification	Charge 111 – 1 centre tap hole, without overflow
Weight	9,5 kg
Mounting acc. incl.	Template, order no. 89980.2
Mounting acc. excl.	Mounting set, order no. 89904.0
Colours	see colour table

SPECIFICATION TEXT

Built in basin grinded Laufen-BIJOU, sanitary ceramic dimensions 520 x 455 mm, inside dimensions of the basin 480 x 400 mm, symmetric
 1 centre tap hole, overflow in front
 Special feature: overflow channel glazed
 Further options: with or without overflow
 Order no. 81123.0

TECHNICAL DRAWINGS / S 1 : 20



SET BIROVA

Built in basin grinded

81119.1



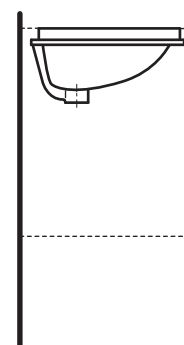
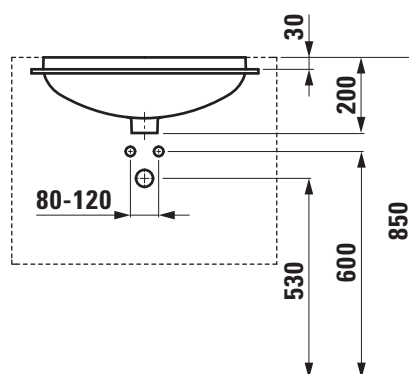
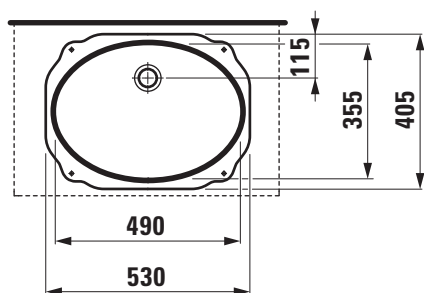
TECHNICAL DATA

Order no.	81119.1
Dimensions	530 x 405 mm
Inside dimensions of the basin	490 x 355 mm
Specification	Charge 000 – without tap hole
Weight	8,0 kg
Mounting acc. incl.	Template, order no. 89980.9
Mounting acc. excl.	Mounting set, order no. 89904.0
Colours	see colour table

SPECIFICATION TEXT

Built in basin grinded Laufen-BIROVA, sanitary ceramic dimensions 530 x 405 mm, inside dimensions of the basin 490 x 355 mm, oval
without tap hole, with overflow
Special feature: overflow channel glazed
Order no. 81119.1

TECHNICAL DRAWINGS / S 1 : 20



SET SAVOY

Built in basin grinded
81319.2



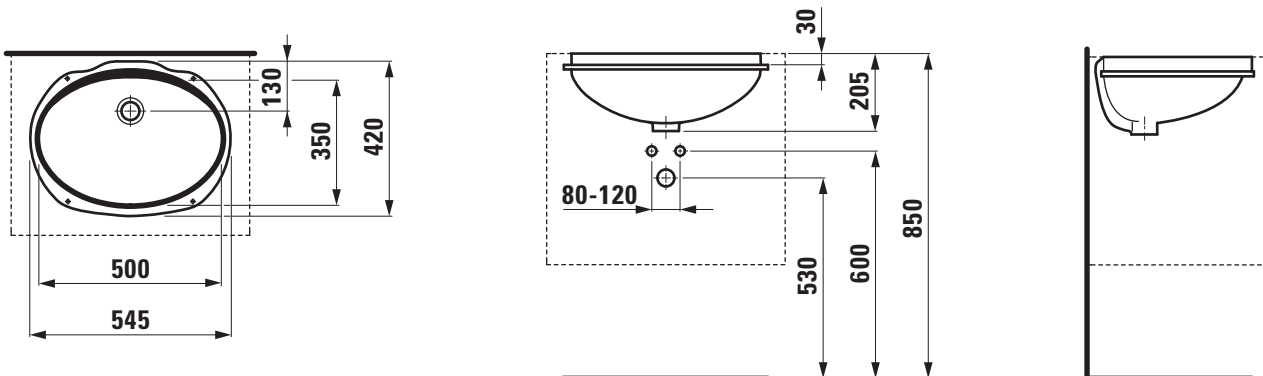
TECHNICAL DATA

Order no.	81319.2
Dimensions	545 x 420 mm
Inside dimensions of the basin	500 x 350 mm
Specification	Charge 000 – without tap hole hidden overflow
Special specification	Charge 155 – glazed outer surface
Weight	8,4 kg
Mounting acc. incl.	Template, order no. 89980.6
Mounting acc. excl.	Mounting set, order no. 89904.0
Colours	see colour table

SPECIFICATION TEXT

Built in basin grinded Laufen-SAVOY, sanitary ceramic dimensions 545 x 420 mm, inside dimensions of the basin 500 x 350 mm, oval
without tap hole, hidden overflow
Special feature: overflow channel glazed
Further options: glazed outer surface
Order no. 81319.2

TECHNICAL DRAWINGS / S 1 : 20





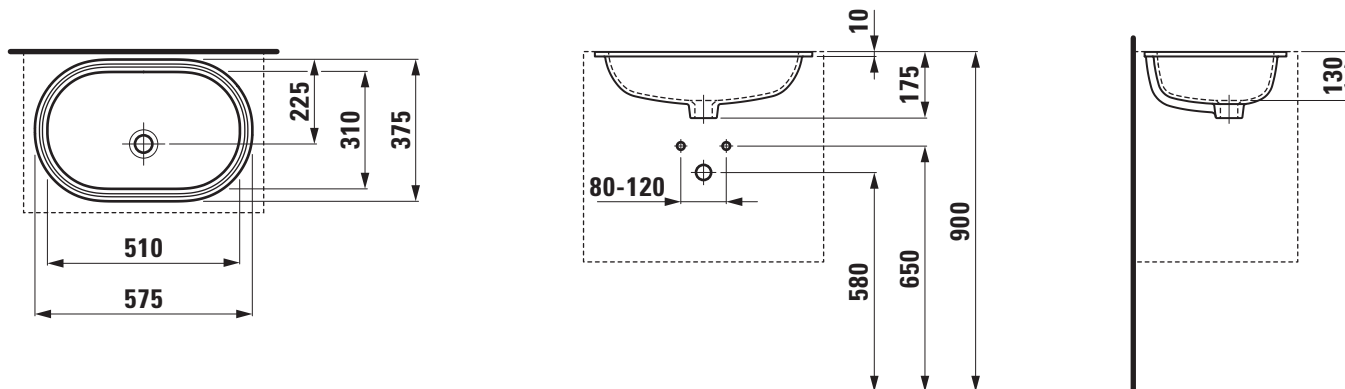
TECHNICAL DATA

Order no.	81894.5
Dimensions	575 x 375 mm
Inside dimensions of the basin	510 x 310 mm
Specification	Charge 109 – without tap hole hidden overflow
Special specification	Charge 155 – glazed outer surface
Weight	7,0 kg
Mounting acc. incl.	Template, order no. 89094.2
Mounting acc. excl.	Mounting set, order no. 89911.0
Colours	see colour table

SPECIFICATION TEXT

Built in basin not grinded Laufen-SAVOY, sanitary ceramic dimensions 575 x 375 mm, inside dimensions of the basin 510 x 310 mm, oval
 Without tap hole, hidden overflow
 Special feature: overflow channel glazed
 Further options: glazed outer surface
 Order no. 81894.5

TECHNICAL DRAWINGS / S 1 : 20





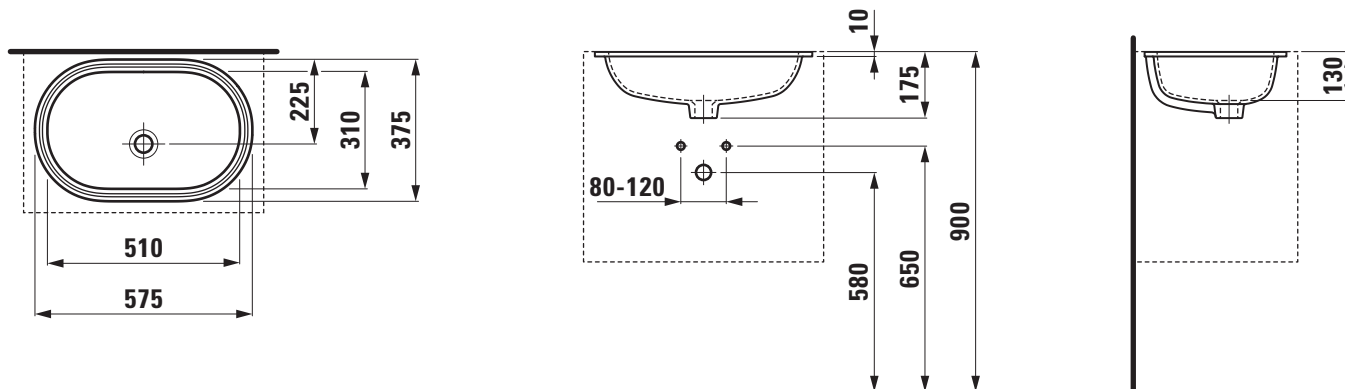
TECHNICAL DATA

Order no.	81894.6
Dimensions	575 x 375 mm
Inside dimensions of the basin	510 x 310 mm
Specification	Charge 109 – without tap hole hidden overflow
Special specification	Charge 155 – glazed outer surface
Weight	7,0 kg
Mounting acc. incl.	Template, order no. 89094.2
Mounting acc. excl.	Mounting set, order no. 89911.0
Colours	see colour table

SPECIFICATION TEXT

Built in basin grinded Laufen-SAVOY, sanitary ceramic dimensions 575 x 375 mm, inside dimensions of the basin 510 x 310 mm, oval
 Without tap hole, hidden overflow
 Special feature: overflow channel glazed
 Further options: glazed outer surface
 Order no. 81894.6

TECHNICAL DRAWINGS / S 1 : 20





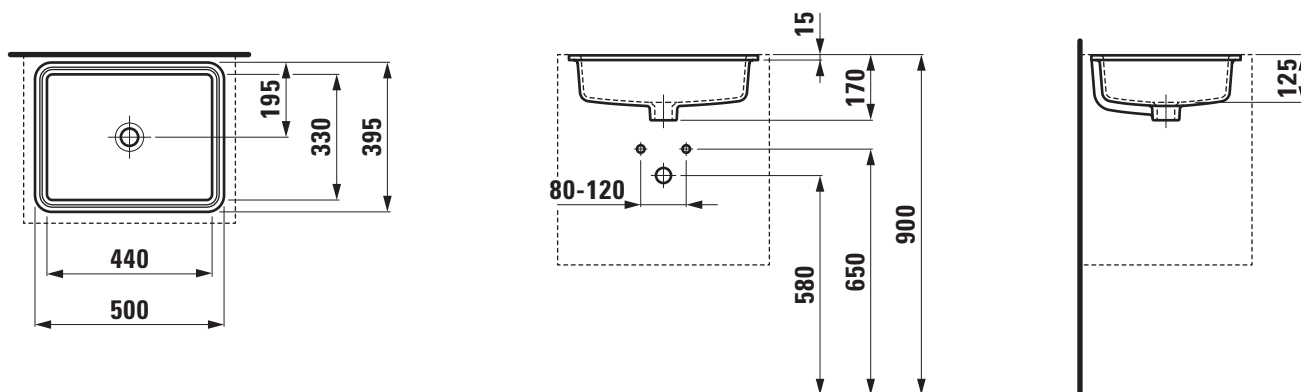
TECHNICAL DATA

Order no.	81894.7
Dimensions	500 x 395 mm
Inside dimensions of the basin	440 x 330 mm
Specification	Charge 109 – without tap hole hidden overflow
Special specification	Charge 155 – glazed outer surface
Weight	8,0 kg
Mounting acc. incl.	Template, order no. 89094.3
Mounting acc. excl.	Mounting set, order no. 89911.0
Colours	see colour table

SPECIFICATION TEXT

Built in basin not grinded Laufen-SAVOY, sanitary ceramic dimensions 500 x 395 mm, inside dimensions of the basin 440 x 330 mm, angular
 Without tap hole, hidden overflow
 Special feature: overflow channel glazed
 Further options: glazed outer surface
 Order no. 81894.7

TECHNICAL DRAWINGS / S 1 : 20





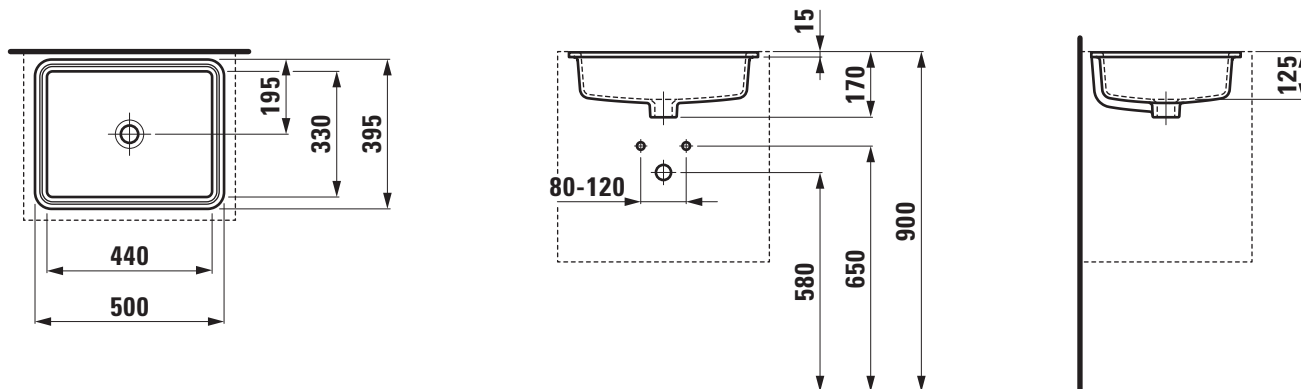
TECHNICAL DATA

Order no.	81894.8
Dimensions	500 x 395 mm
Inside dimensions of the basin	440 x 330 mm
Specification	Charge 109 – without tap hole hidden overflow
Special specification	Charge 155 – glazed outer surface
Weight	8,0 kg
Mounting acc. incl.	Template, order no. 89094.3
Mounting acc. excl.	Mounting set, order no. 89911.0
Colours	see colour table

SPECIFICATION TEXT

Built in basin grinded Laufen-SAVOY, sanitary ceramic dimensions 500 x 395 mm, inside dimensions of the basin 440 x 330 mm, angular
 Without tap hole, hidden overflow
 Special feature: overflow channel glazed
 Further options: glazed outer surface
 Order no. 81894.8

TECHNICAL DRAWINGS / S 1 : 20



SET LIPSY

Built in basin not grinded

81129.9



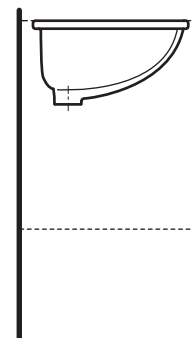
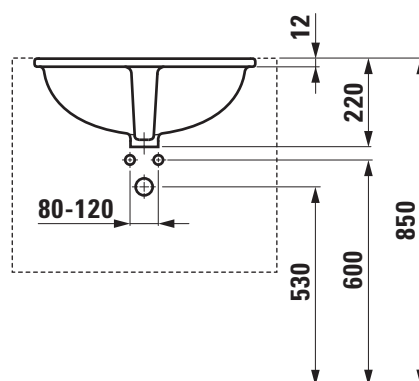
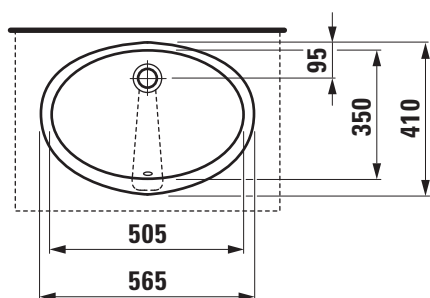
TECHNICAL DATA

Order no.	81129.9
Dimensions	565 x 410 mm
Specification	Charge 000 – without tap hole
Weight	8,0 kg
Mounting acc. incl.	Mounting set, order no. 89911.0
Colours	see colour table

SPECIFICATION TEXT

Built in not grinded basin Laufen-LIPSY, sanitary ceramic dimensions 565 x 410 mm, inside dimensions of the basin 505 x 350 mm, oval
without tap hole, overflow in front
Special feature: overflow channel glazed
Further options: Surface refinement LCC (only white)
Order no. 81129.9

TECHNICAL DRAWINGS / S 1 : 20



SET LIPSY

Built in basin grinded
81129.1



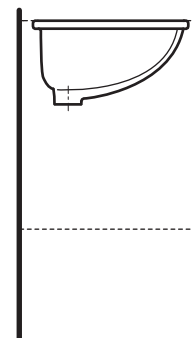
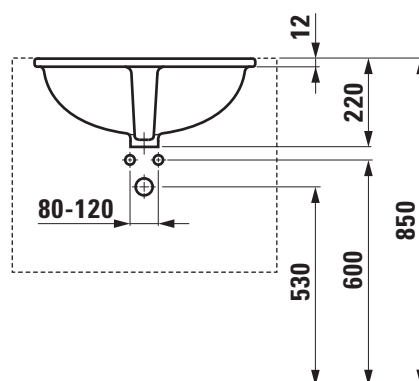
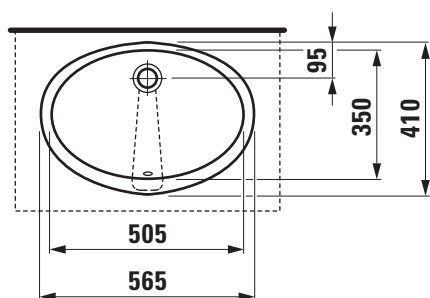
TECHNICAL DATA

Order no.	81129.1
Dimensions	565 x 410 mm
Specification	Charge 000 – without tap hole
Weight	8,0 kg
Mounting acc. incl.	Mounting set, order no. 89911.0
Colours	see colour table

SPECIFICATION TEXT

Built in grinded basin Laufen-LIPSY, sanitary ceramic dimensions 565 x 410 mm, inside dimensions of the basin 505 x 350 mm, oval
without tap hole, overflow in front
Special feature: overflow channel glazed
Further options: Surface refinement LCC (only white)
Order no. 81129.1

TECHNICAL DRAWINGS / S 1 : 20



DROP IN BASINS

Drop in basin undersurface ground

81728.1



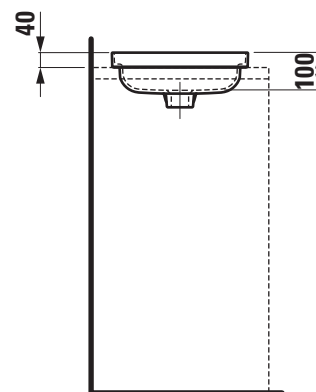
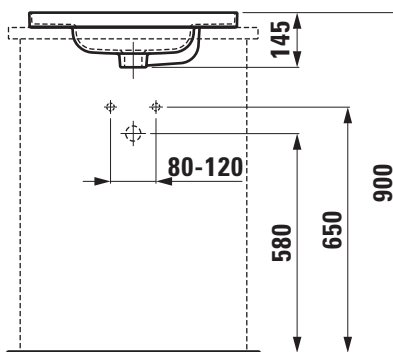
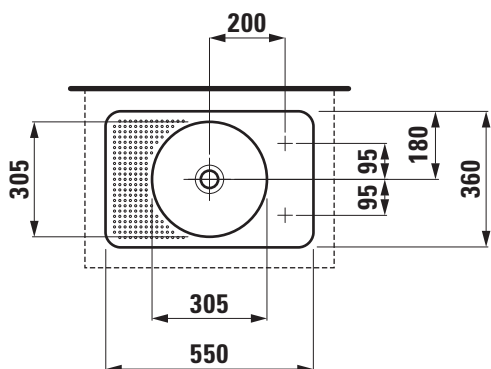
TECHNICAL DATA

Order no.	81728.1
Certified to	EN 31
Dimensions	550 x 360 mm
Basin capacity	exact specification not yet available
Specification	with semi-wet-area Charge 106 – 1 tap hole right
Special specification	Charge 105 – 1 tap holes left Charge 109 – without tap hole
Weight	8,0 kg
Mounting acc. incl.	Template, order no. 89828.3
Mounting acc. excl.	Silicon caoutchouc Siphon DN 32 chrome, order no. 89394.7
Colours	see colour table

SPECIFICATION TEXT

Drop in basin undersurface ground Laufen-VAL, SaphirKeramik EN 31
 dimensions 550 x 360 mm
 with semi-wet-area, 1 tap hole right
 Special feature: overflow channel glazed
 Further options / accessories: Surface refinement LCC (only white),
 1 tap hole left, without tap hole, bathtubs
 Order no. 81728.1

TECHNICAL DRAWINGS / S 1 : 20





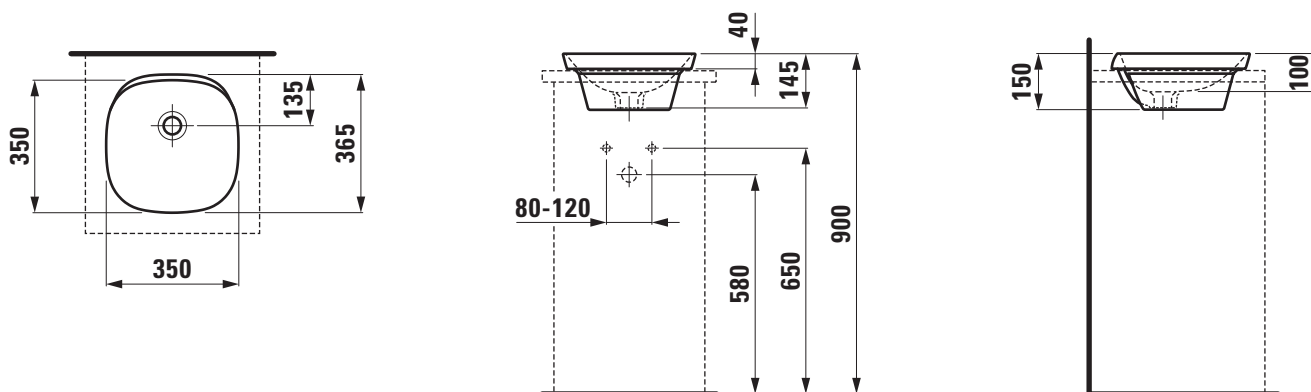
TECHNICAL DATA

Order no.	81730.1
Certified to	EN 31
Dimensions	350 x 365 mm
Specification	Charge 109 – without tap holes, with overflow
Weight	5,2 kg
Mounting acc. incl.	Template, order no. 89630.5
Mounting acc. excl.	Silicon caoutchouc Siphon DN 32 chrome, order no. 89394.7
Colours	see colour table

SPECIFICATION TEXT

Drop in basin undersurface ground Laufen INO, SaphirKeramik EN 31
 dimensions 350 x 365 mm, angular
 without tap hole
 Special feature: overflow channel glazed
 Further options / accessories: Surface refinement LCC (only white),
 bathtubs, furniture
 Order no. 81730.1

TECHNICAL DRAWINGS / S 1 : 20





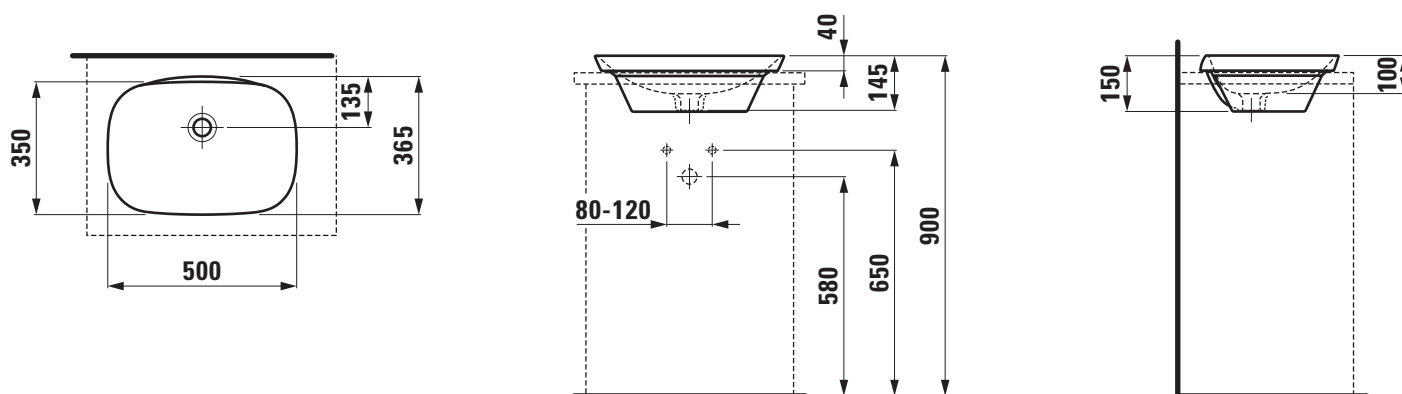
TECHNICAL DATA

Order no.	81730.2
Certified to	EN 31
Dimensions	500 x 365 mm
Inside dimensions of the basin	488 x 336 mm
Specification	Charge 109 – without tap holes, with overflow
Weight	7,0 kg
Mounting acc. incl.	Template, order no. 89630.6
Mounting acc. excl.	Silicon caoutchouc Siphon DN 32 chrome, order no. 89394.7
Colours	see colour table

SPECIFICATION TEXT

Drop in basin undersurface ground Laufen INO, SaphirKeramik EN 31
 dimensions 500 x 365 mm, angular
 without tap hole
 Special feature: overflow channel glazed
 Further options / accessories: Surface refinement LCC (only white),
 bathtubs, furniture
 Order no. 81730.2

TECHNICAL DRAWINGS / S 1 : 20



SET LIVING SQUARE

Drop in basin, wall mounted

81543.5



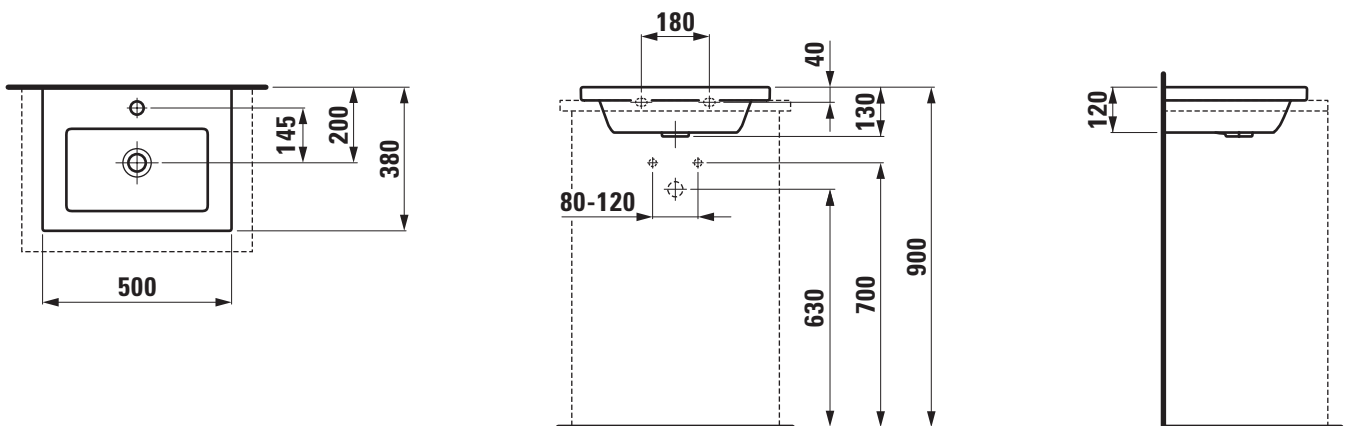
TECHNICAL DATA

Order no.	81543.5
Certified to	EN 31
Dimensions	500 x 380 mm
Specification	Always to be fixed to the wall. Charge 104 – 1 centre tap hole, with overflow
Special specification	Charge 109 – without tap hole, with overflow
Weight	10,0
Mounting acc. incl.	Template, order no. 89843.9
Mounting acc. excl.	Mounting set M10 x 140 mm, order no. 89988.2
Colours	see colour table

SPECIFICATION TEXT

Drop in basin wall mounted Laufen-LIVING SQUARE, sanitary ceramic EN 31
 dimensions 500 x 380 mm, angular
 1 centre tap hole
 Special feature: overflow channel glazed
 Further options / accessories: without tap hole, with or without overflow
 Order no. 81543.5

TECHNICAL DRAWINGS / S 1 : 20



SET LIVING SQUARE

Drop in basin, wall mounted

81643.2



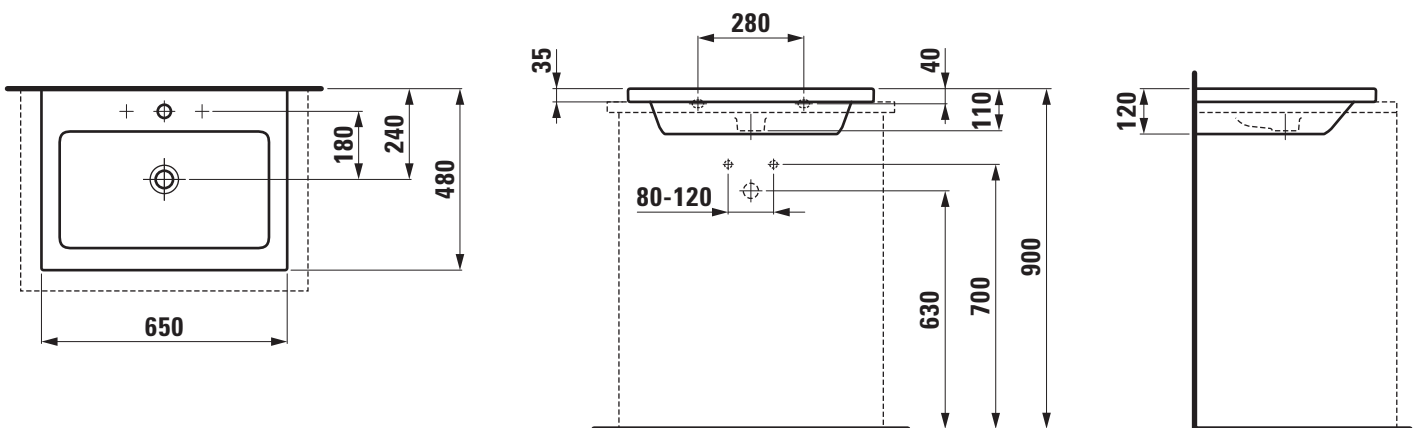
TECHNICAL DATA

Order no.	81643.2
Certified to	EN 31
Dimensions	650 x 480 mm
Inside dimensions of the basin	480 x 295 mm
Specification	Always to be fixed to the wall. Charge 104 – 1 centre tap hole, with overflow
Special specification	Charge 108 – 3 tap holes, with overflow Charge 109 – without tap holes, with overflow Charge 136 – 3 tap holes, distance 8 inches, with overflow
Weight	16,0 kg
Mounting acc. incl.	Template, order no. 89843.7
Mounting acc. excl.	Mounting set M10 x 140 mm, order no. 89988.2
Colours	see colour table

SPECIFICATION TEXT

Drop in basin wall mounted Laufen-LIVING SQUARE, sanitary ceramic EN 31, dimensions 650 x 480 mm, angular
1 centre tap hole
Special feature: overflow channel glazed
Further options / accessories: 3 tap holes, without tap holes, with or without overflow, 3 tap holes distance 8 inches with overflow, furniture
Order no. 81643.2

TECHNICAL DRAWINGS / S 1 : 20



SET LIVING SQUARE

Drop in basin, wall mounted

81643.4



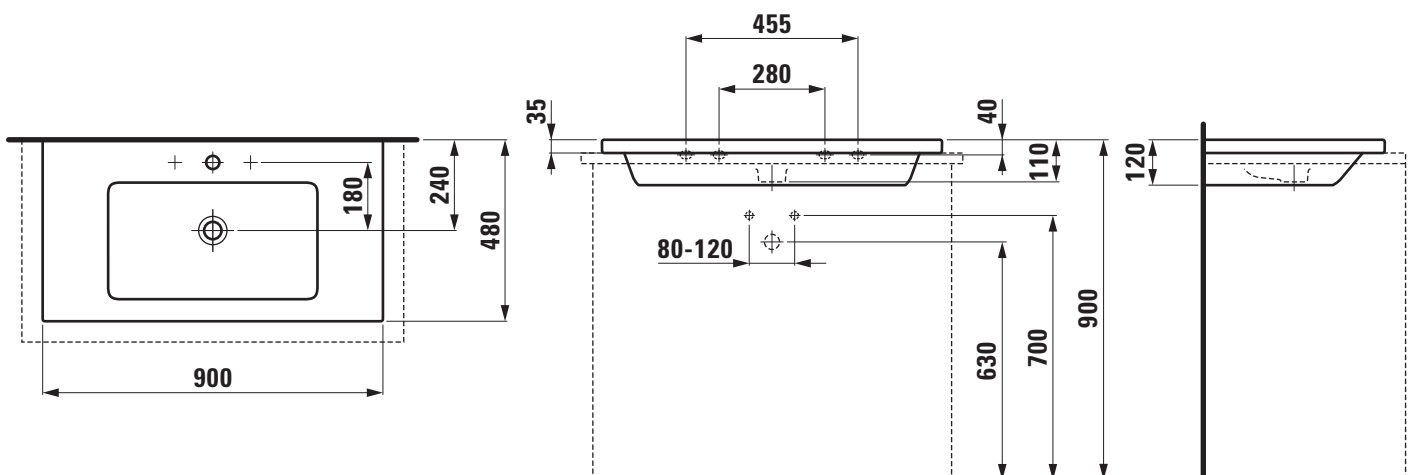
TECHNICAL DATA

Order no.	81643.4
Certified to	EN 14688
Dimensions	900 x 480 mm
Inside dimensions of the basin	540 x 295 mm
Specification	Always to be fixed to the wall. Charge 104 – 1 centre tap hole, with overflow
Special specification	Charge 108 – 3 tap holes, with overflow Charge 109 – without tap holes, with overflow Charge 136 – 3 tap holes, distance 8 inches, with overflow
Weight	24,0 kg
Mounting acc. incl.	Template, order no. 89843.8
Mounting acc. excl.	2x Mounting set M10 x 140 mm, order no. 89988.2
Colours	see colour table

SPECIFICATION TEXT

Drop in basin wall mounted Laufen-LIVING SQUARE, sanitary ceramic EN 14688, dimensions 900 x 480 mm, angular, 1 centre tap hole
Special feature: overflow channel glazed, integrated shelves
Further options / accessories: 3 tap holes, without tap holes, with or without overflow, 3 tap holes distance 8 inches with overflow, furniture
Order no. 81643.4

TECHNICAL DRAWINGS / S 1 : 20



SET LAUFEN PRO S

Drop in basin 81896.3



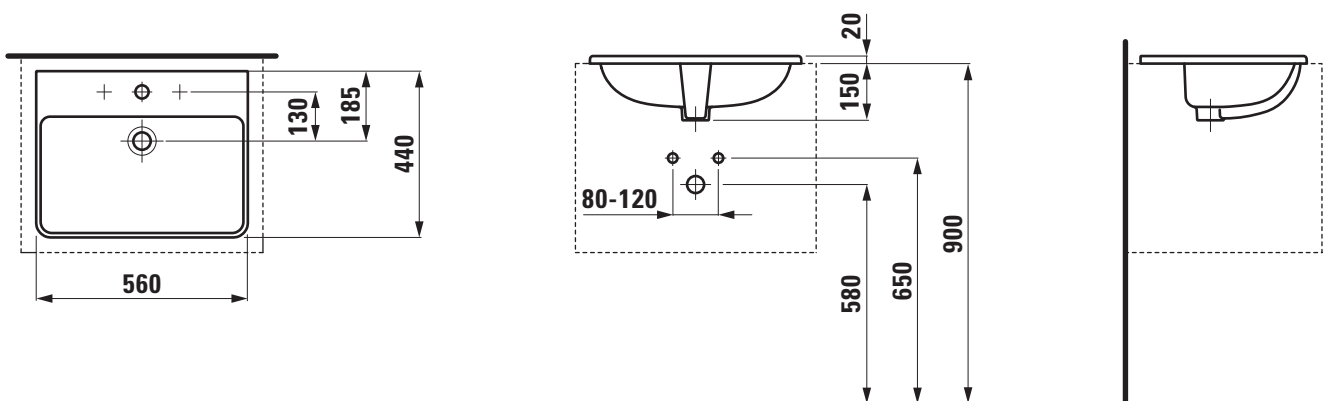
TECHNICAL DATA

Order no.	81896.3
Dimensions	560 x 440 mm
Inside dimensions of the basin	470 x 275 mm
matching for	Washtop Case
Specification	Charge 104 – 1 centre tap hole
Special specification	Charge 108 – 3 tap holes Charge 109 – without tap hole Charge 136 – 3 tap holes, distance 8 inches
Weight	9,0 kg
Mounting acc. incl.	Template, order no. 89996.7
Mounting acc. excl.	Silicon caoutchouc Siphon D40 chrome, order no. 89397.9
Colours	see colour table

SPECIFICATION TEXT

Drop in basin LAUFEN PRO S, sanitary ceramic dimensions 560 x 440 mm, angular
1 centre tap hole, overflow in front
Special feature: overflow channel glazed
Further options / accessories: Surface refinement LCC (only white), 3 tap holes, without tap holes, 3 tap holes distance 8 inches, bathtubs, furniture, washtops Case
Order no. 81896.3

TECHNICAL DRAWINGS / S 1 : 20



SET LAUFEN PRO B

Drop in basin 81395.1



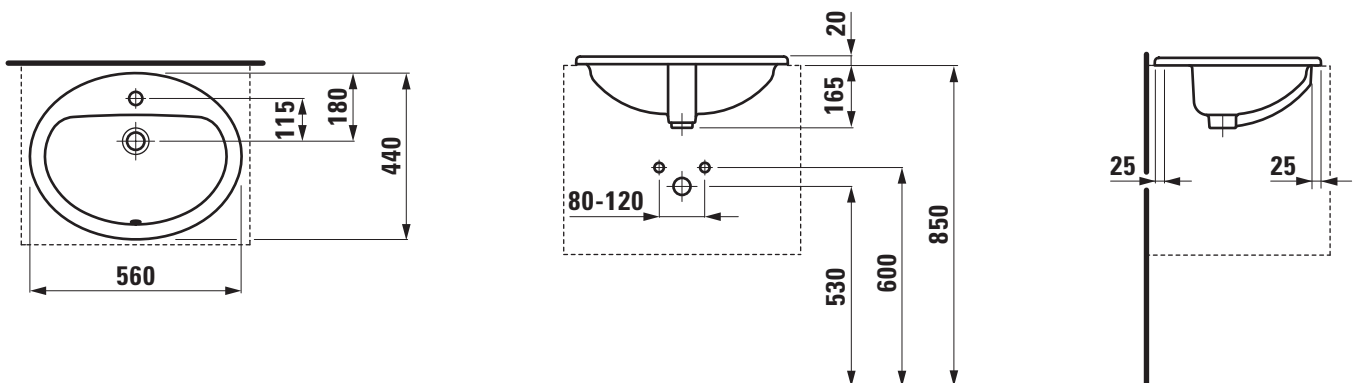
TECHNICAL DATA

Order no.	81395.1
Dimensions	560 x 440 mm
Inside dimensions of the basin	470 x 290 mm
Specification	Charge 104 – 1 centre tap hole
Weight	7,6 kg
Mounting acc. incl.	Template, order no. 89395.1
Mounting acc. excl.	Silicon caoutchouc
Colours	see colour table

SPECIFICATION TEXT

Drop in basin LAUFEN PRO B, sanitary ceramic dimensions 560 x 440 mm, oval
1 centre tap hole, overflow in front
Special feature: overflow channel glazed
Further options / accessories: Surface refinement LCC (only white), bathtubs, shower trays, furniture, faucets
Order no. 81395.1

TECHNICAL DRAWINGS / S 1 : 20



SET LAUFEN PRO A

Drop in basin
81396.1



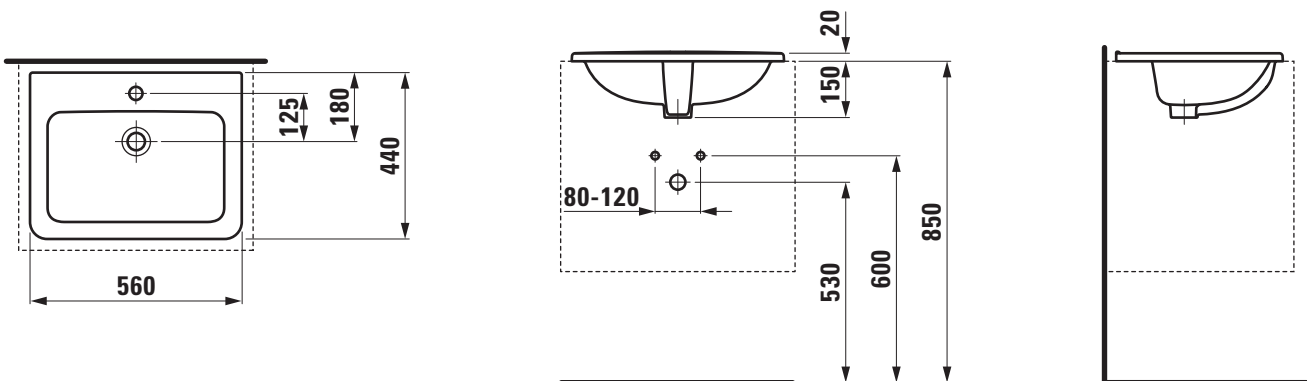
TECHNICAL DATA

Order no.	81396.1
Certified to	EN 31
Dimensions	560 x 440 mm
Specification	Charge 104 – 1 centre tap hole
Weight	9,0 kg
Mounting acc. incl.	Template, order no. 89790.7
Mounting acc. excl.	Silicon caoutchouc Siphon DN 32 chrome, order no. 89394.7
Colours	see colour table

SPECIFICATION TEXT

Drop in basin LAUFEN PRO A, sanitary ceramic
EN 31
dimensions 560 x 440 mm, angular
1 centre tap hole, overflow in front
Special feature: overflow channel glazed
Further options / accessories: Surface refinement LCC (only white),
bathtubs, furniture
Order no. 81396.1

TECHNICAL DRAWINGS / S 1 : 20



SET INDOVA
Drop in basin
81139.1



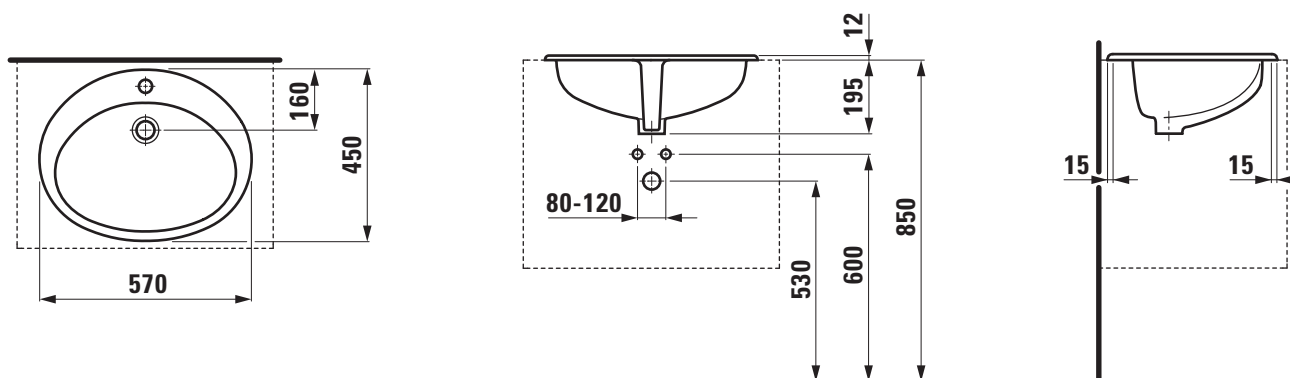
TECHNICAL DATA

Order no.	81139.1
Dimensions	570 x 450 mm
Inside dimensions of the basin	470 x 320 mm
Specification	Charge 000 – 1 centre tap hole
Weight	8,0 kg
Mounting acc. incl.	Template, order no. 89139.2
Mounting acc. excl.	Silicon caoutchouc
Colours	see colour table

SPECIFICATION TEXT

Drop in basin Laufen-INDOVA, sanitary ceramic dimensions 570 x 450 mm, oval
 1 centre tap hole, overflow in front
 Special feature: overflow channel glazed
 Further options: Surface refinement LCC (only white)
 Order no. 81139.1

TECHNICAL DRAWINGS / S 1 : 20



SET INDOVA
Drop in basin
81139.2



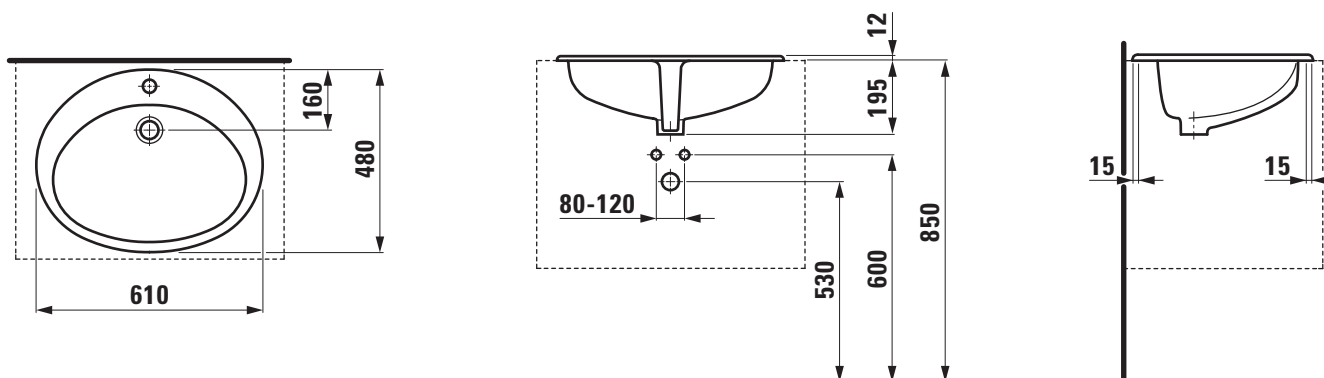
TECHNICAL DATA

Order no.	81139.2
Dimensions	610 x 480 mm
Inside dimensions of the basin	515 x 345 mm
Specification	Charge 000 – 1 centre tap hole
Weight	9,0 kg
Mounting acc. incl.	Template, order no. 89139.2
Mounting acc. excl.	Silicon caoutchouc
Colours	see colour table

SPECIFICATION TEXT

Drop in basin Laufen-INDOVA, sanitary ceramic dimensions 610 x 480 mm, oval
 1 centre tap hole, overflow in front
 Special feature: overflow channel glazed
 Further options: Surface refinement LCC (only white)
 Order no. 81139.2

TECHNICAL DRAWINGS / S 1 : 20



SEMI RECESSED BASINS

SET LIVING CITY
Semi recessed basin
81343.1



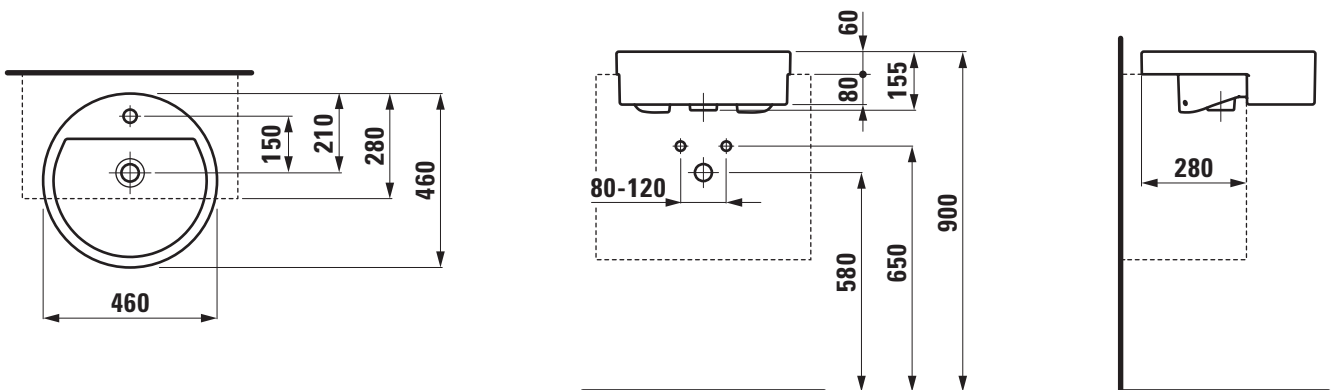
TECHNICAL DATA

Order no.	81343.1
Dimensions	460 x 460 mm
Inside dimensions of the basin	400 x 310 mm
Certified to	EN 31
Specification	Charge 104 – 1 centre tap hole
Special specification	Charge 109 – without tap hole
Weight	11,0 kg
Mounting acc. incl.	Template, order no. 89815.3 Fixing set, order no. 89909.0
Colours	see colour table

SPECIFICATION TEXT

Semi recessed basin Laufen-LIVING CITY, sanitary ceramic
 EN 31
 dimensions 460 x 460 mm, round
 1 centre tap hole
 Special feature: overflow channel glazed
 Further options / accessories: 1 tap hole without overflow, without tap holes and overflow,
 Order no. 81343.1

TECHNICAL DRAWINGS / S 1 : 20



SET LIVING CITY
Semi recessed basin
81343.2



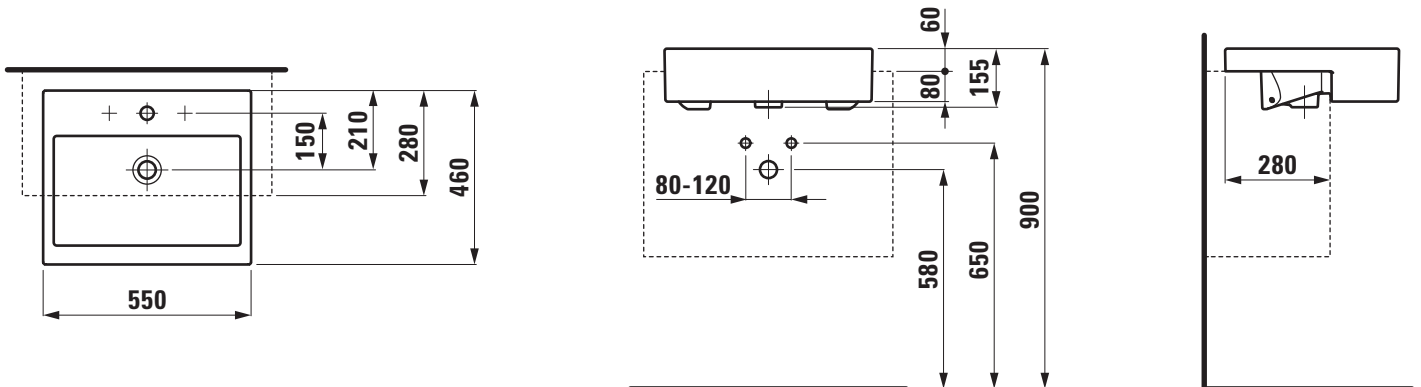
TECHNICAL DATA

Order no.	81343.2
Dimensions	550 x 460 mm
Inside dimensions of the basin	490 x 290 mm
Certified to	EN 31
Specification	Charge 104 – 1 centre tap hole
Special specification	Charge 108 – 3 tap holes Charge 109 – without tap hole
Weight	15,0 kg
Mounting acc. incl.	Template, order no. 89815.4 Fixing set, order no. 89909.0
Colours	see colour table

SPECIFICATION TEXT

Semi recessed basin Laufen-LIVING CITY, sanitary ceramic
 EN 31
 dimensions 550 x 460 mm, symmetric
 1 centre tap hole
 Special feature: overflow channel glazed
 Further options / accessories: 3 tap holes, without tap holes, 1 tap hole without overflow, without tap holes and overflow,
 Order no. 81343.2

TECHNICAL DRAWINGS / S 1 : 20



SET LAUFEN PRO B
Semi recessed basin
81295.1



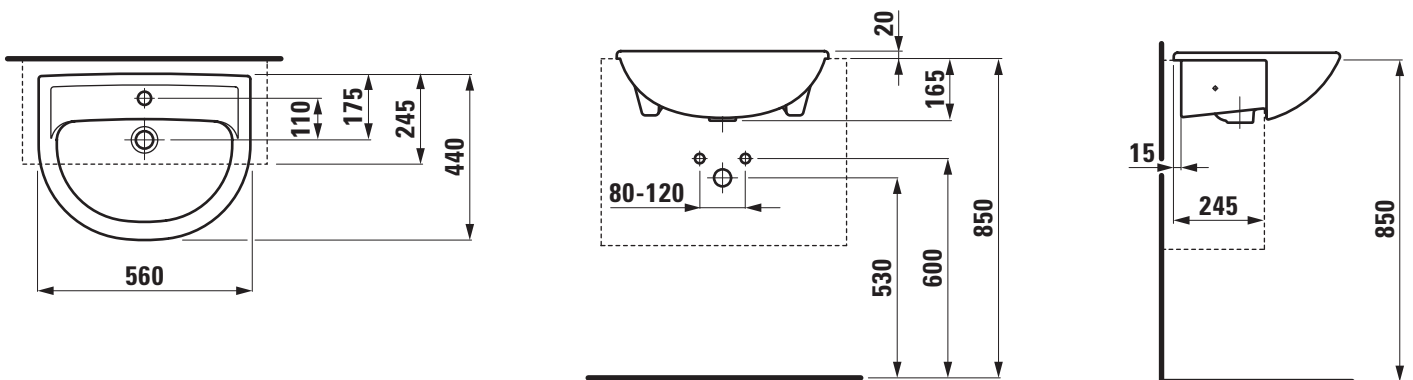
TECHNICAL DATA

Order no.	81295.1
Dimensions	560 x 440 mm
Inside dimensions of the basin	470 x 280 mm
Specification	Charge 104 – 1 centre tap hole
Special specification	Charge 109 – without tap hole
Weight	10,6 kg
Mounting acc. incl.	Template, order no. 89295.2 Mounting set, order no. 89909.0
Colours	see colour table

SPECIFICATION TEXT

Semi recessed basin LAUFEN PRO B, sanitary ceramic dimensions 560 x 440 mm, symmetric
 1 centre tap hole
 Special feature: overflow channel glazed
 Further options / accessories: Surface refinement LCC (only white), without tap hole, bathtubs, furniture
 Order no. 81295.1

TECHNICAL DRAWINGS / S 1 : 20



SET LAUFEN PRO A

Semi recessed basin

81296.1



TECHNICAL DATA

Order no.	81296.1
Dimensions	560 x 440 mm
Specification	Charge 104 – 1 centre tap hole
Special specification	Charge 109 – without tap hole
Weight	12,0 kg
Mounting acc. incl.	Template, order no. 89295.2 Mounting set, order no. 89909.0
Colours	see colour table

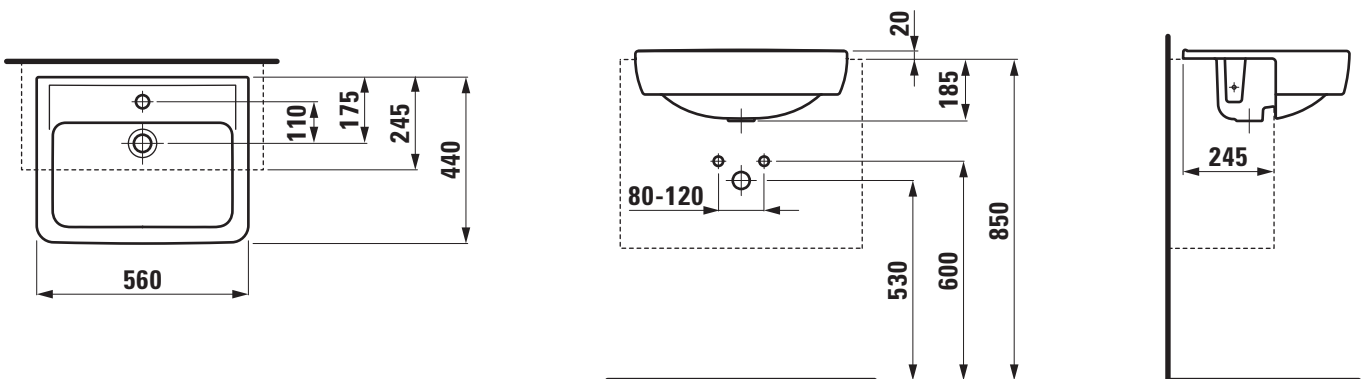
SPECIFICATION TEXT

Semi recessed basin LAUFEN PRO A, sanitary ceramic
dimensions 560 x 440 mm, angular
1 centre tap hole

Special feature: overflow channel glazed

Further options / accessories: Surface refinement LCC (only white
option 104), without tap hole (only white 000), bathtubs, furniture
Order no. 81296.1

TECHNICAL DRAWINGS / S 1 : 20



WASHBASIN BOWLS

SET SAVOY
Washbasin bowl
81294.2



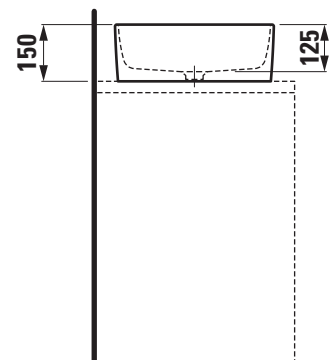
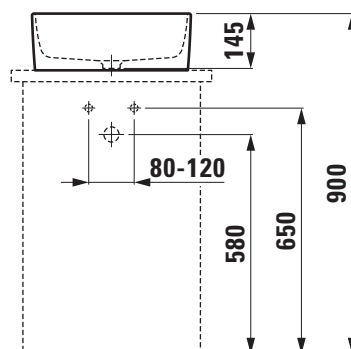
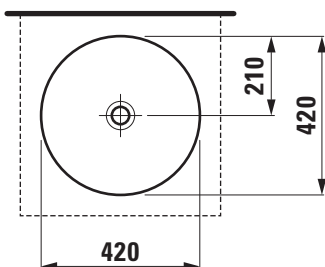
TECHNICAL DATA

Order no.	81294.2
Certified to	EN 31
Dimensions	Ø 420 mm
Specification	Charge 112 – without tap holes, without overflow
Weight	8,0 kg
Mounting acc. incl.	Template, order no. 89994.2 Fastening kit, order no. 89496.1
Mounting acc. excl.	Charge 112 – valve without overflow always open, with ceramic valve cover plate, order no. 89818.8 Siphon DN 32 chrome, order no. 89394.7
Otherwise	Use enclosed template for cutting.
Colours	see colour table

SPECIFICATION TEXT

Washbasin bowl Laufen-SAVOY, sanitary ceramic
 EN 31
 dimensions Ø 420 mm, round
 Without tap holes, without overflow
 Further options / accessories: Surface refinement LCC (only white)
 Order no. 81294.2

TECHNICAL DRAWINGS / S 1 : 20



WASHBASIN PACK

SET LAUFEN PRO A

Washbasin Pack with faucet, bottle trap, angle valves and all mounting accessories

86095.2



TECHNICAL DATA

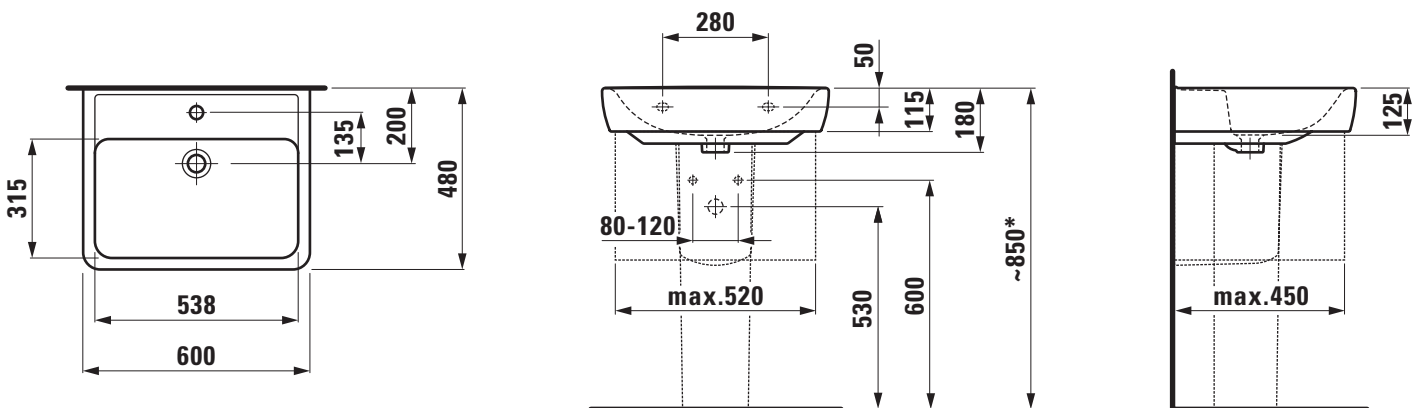
Order no.	86095.2
Certified to	Washbasin – EN 31
Dimensions	Washbasin – 600 x 480 mm
Specification	Countertop basin, 1 centre tap hole, with overflow with washbasin mixer Citypro, with pop-up waste, surface chrome with bottle trap DN 32, surface chrome with 2 angle valves, G 1/2" brass, surface chrome
Weight	22,0 kg
Accessories excl.	Siphon cover, order no. 81995.1 Pedestal, order no. 81995.0
Mounting acc. incl.	Installation tape, order no. 89299.2 Mounting set M10 x 140 mm, order no. 89988.2 Flexible connection hoses 3/8", Similar order no. 466.035.000

Colours	Washbasin – White Faucet – Chrome Bottle trap – Chrome
---------	--

SPECIFICATION TEXT

LAUFEN PRO A Washbasin Pack with faucet, bottle trap, angle valves and all mounting accessories
 Washbasin: sanitary ceramic, EN 31
 dimension ceramic 600 x 480 mm, angular, 1 centre tap hole, with overflow
 Special feature: overflow channel glazed
 Faucet: washbasin mixer Citypro, with pop-up waste, surface chrome
 Bottle trap: DN32, surface chrome
 Angle valves: G 1/2" brass, surface chrome
 Further accessories: siphon cover, pedestal, bathtubs, furniture
 Order no. 86095.2

TECHNICAL DRAWINGS / S 1 : 20



* = Effective height must be fixed according to the height of the pedestal.

SET LAUFEN PRO A

Washbasin Pack with faucet, bottle trap, angle valves and all mounting accessories

86095.4



TECHNICAL DATA

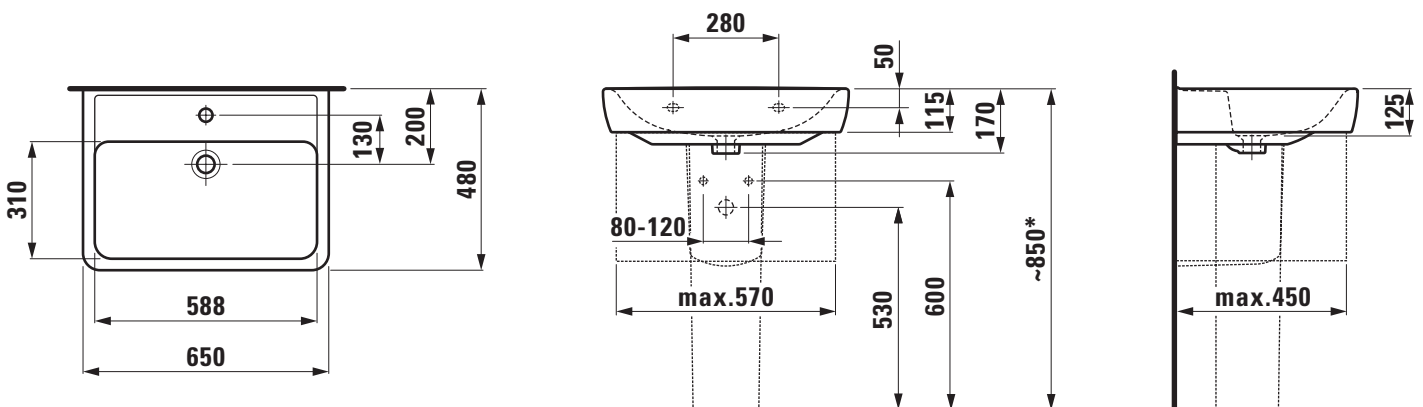
Order no.	86095.4
Certified to	Washbasin – EN 31
Dimensions	Washbasin – 650 x 480 mm
Specification	Countertop basin, 1 centre tap hole, with overflow with washbasin mixer Citypro, with pop-up waste, surface chrome with bottle trap DN 32, surface chrome with 2 angle valves, G 1/2" brass, surface chrome
Weight	23,0 kg
Accessories excl.	Siphon cover, order no. 81995.1 Pedestal, order no. 81995.0
Mounting acc. incl.	Installation tape, order no. 89299.2 Mounting set M10 x 140 mm, order no. 89988.2 Flexible connection hoses 3/8", Similar order no. 466.035.000

Colours	Washbasin – White Faucet – Chrome Bottle trap – Chrome
---------	--

SPECIFICATION TEXT

LAUFEN PRO A Washbasin Pack with faucet, bottle trap, angle valves and all mounting accessories
Washbasin: sanitary ceramic, EN 31
dimension ceramic 650 x 480 mm, angular, 1 centre tap hole, with overflow
Special feature: overflow channel glazed
Faucet: washbasin mixer Citypro, with pop-up waste, surface chrome
Bottle trap: DN32, surface chrome
Angle valves: G 1/2" brass, surface chrome
Further accessories: siphon cover, pedestal, bathtubs, furniture
Order no. 86095.4

TECHNICAL DRAWINGS / S 1 : 20



* = Effective height must be fixed according to the height of the pedestal.

SET LAUFEN PRO A

Washbasin Pack with faucet, bottle trap, angle valves and all mounting accessories

86095.3



TECHNICAL DATA

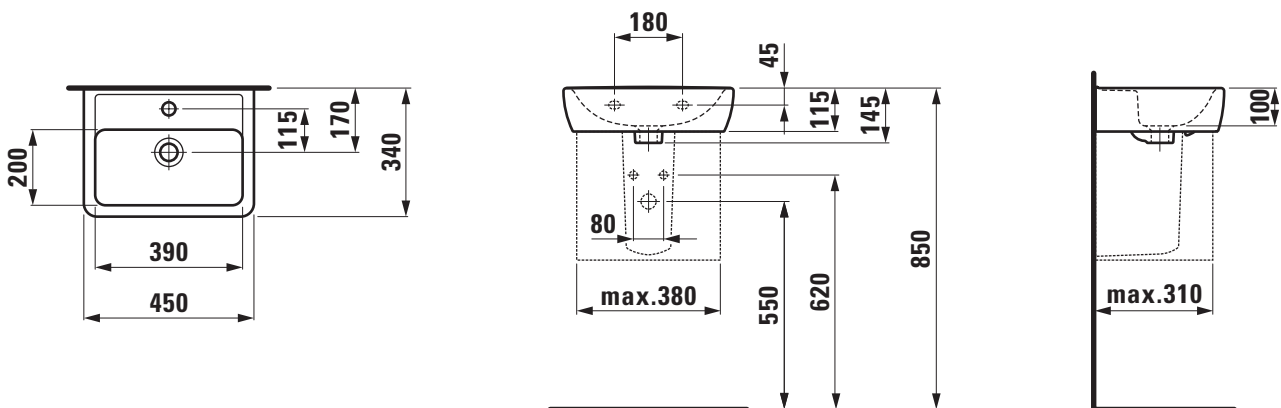
Order no.	86095.3
Certified to	Washbasin – EN 31
Dimensions	Washbasin – 450 x 340 mm
Specification	Small washbasin, 1 centre tap hole, with overflow with washbasin mixer Citypro, with pop-up waste, surface chrome with bottle trap DN 32, surface chrome with 2 angle valves, G 1/2" brass, surface chrome
Weight	12,0 kg
Accessories excl.	Siphon cover, order no. 81995.2
Mounting acc. incl.	Installation tape, order no. 89299.2 Mounting set M10 x 140 mm, order no. 89988.2 Flexible connection hoses 3/8", Similar order no. 466.035.000

Colours	Washbasin – White Faucet – Chrome Bottle trap – Chrome
---------	--

SPECIFICATION TEXT

LAUFEN PRO A Washbasin Pack with faucet, bottle trap, angle valves and all mounting accessories
Small washbasin: sanitary ceramic, EN 31 dimension ceramic 450 x 340 mm, angular, 1 centre tap hole, with overflow
Special feature: overflow channel glazed
Faucet: washbasin mixer Citypro, with pop-up waste, surface chrome
Bottle trap: DN32, surface chrome
Angle valves: G 1/2" brass, surface chrome
Further accessories: siphon cover, bathtubs, furniture
Order no. 86095.3

TECHNICAL DRAWINGS / S 1 : 20



SET PALOMBA COLLECTION

Wallhung WC Pack rimless, washdown,
with seat and cover with lowering system

86680.0



TECHNICAL DATA

Order no.	86680.0
Certified to	Wallhung WC – EN 33
Specification	Wallhung WC rimless, washdown for 5/3-l-flush with seat and cover, Duroplast, removable, with hollow space fixation, with automatic lowering system
Weight	24,5 kg
Mounting acc. incl.	Installation tape, order no. 89299.2 laufen EasyFit system M12, order no. 89282.7
Mounting acc. excl.	Stone screw fastening kit M12
Colours	White

SPECIFICATION TEXT

PALOMBA COLLECTION Wallhung WC Pack rimless, washdown, with seat and cover with lowering system

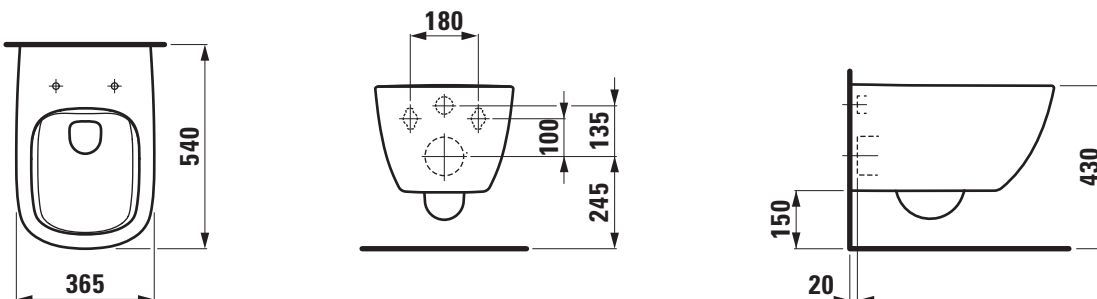
Wallhung WC rimless: sanitary ceramic, washdown, for concealed cistern, EN 977, EN 33, 5/3-l-flush, dimension ceramic 360 x 540 x 348 mm, concealed trap, concealed fixation

Special feature: rimless, concealed surfaces directing water are fully glazed throughout, vacuum checked

WC seat and cover: Duroplast, removable, with hollow space fixation, with automatic lowering system

Order no. 86680.0

TECHNICAL DRAWINGS / S 1 : 20



SET KARTELL BY LAUFEN

Wallhung WC Pack rimless, washdown, with seat and cover with lowering system 86633.0



TECHNICAL DATA

Order no.	86633.0
Certified to	Wallhung WC – EN 997, EN 33
Specification	Wallhung WC rimless, washdown for 4,5/3-l-flush with seat and cover, Duroplast, removable, with hollow space fixation, with automatic lowering system
Weight	25,0 kg
Mounting acc. incl.	Installation tape, order no. 89299.2 laufen EasyFit system M12, order no. 89282.7
Mounting acc. excl.	Stone screw fastening kit M12
Colours	White

SPECIFICATION TEXT

KARTELL BY LAUFEN Wallhung WC Pack rimless, washdown, with seat and cover with lowering system

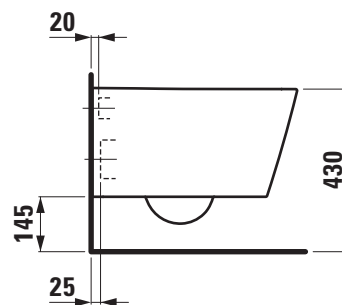
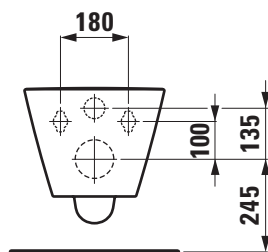
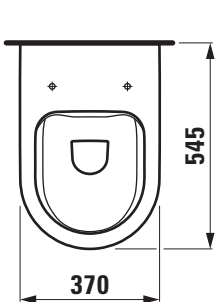
Wallhung WC rimless: sanitary ceramic, washdown, for concealed cistern, EN 997, EN 33, min. 4,5/3-l-flush, dimension ceramic 370 x 545 x 340 mm

Special feature: rimless, concealed surfaces directing water are fully glazed throughout, vacuum checked

WC seat and cover: Duroplast, removable, with hollow space fixation, with automatic lowering system

Order no. 86633.0

TECHNICAL DRAWINGS / S 1 : 20



**Wallhung WC Pack rimless, washdown,
with seat and cover with lowering system
86670.0**



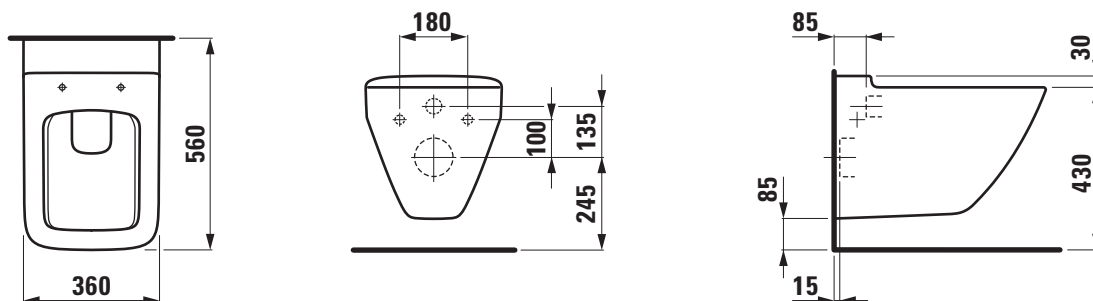
TECHNICAL DATA

Order no.	86670.0
Certified to	Wallhung WC – EN 977, EN 33
Specification	Wallhung WC rimless, washdown for 4,5/3-l-flush with seat and cover, Duroplast, removable, with hollow space fixation, with automatic lowering system
Weight	32,5 kg
Mounting acc. incl.	Installation tape, order no. 89299.2 laufen EasyFit system M12, order no. 89282.7
Mounting acc. excl.	Stone screw fastening kit M12
Colours	White

SPECIFICATION TEXT

PALACE Wallhung WC Pack rimless, washdown, with seat and cover with lowering system
 Wallhung WC rimless: sanitary ceramic, washdown, for concealed cistern, EN 977, EN 33, 4,5/3-l-flush, dimension ceramic 360 x 560 x 375 mm, concealed trap, concealed fixation
 Special feature: rimless, concealed surfaces directing water are fully glazed throughout, vacuum checked
 WC seat and cover: Duroplast, removable, with hollow space fixation, with automatic lowering system
 Order no. 86670.0

TECHNICAL DRAWINGS / S 1 : 20



SET LAUFEN PRO

Wallhung WC Pack rimless, washdown, with seat and cover slim with lowering system 86695.7



TECHNICAL DATA

Order no.	86695.7
Certified to	Wallhung WC – EN 977, EN 33
Specification	Wallhung WC rimless, washdown for 4,5/3-l-flush with seat and cover slim, Duroplast, removable, with hollow space fixation, with automatic lowering system
Weight	25,5 kg
Mounting acc. incl.	Installation tape, order no. 89299.2 laufen EasyFit system M12, order no. 89282.7
Mounting acc. excl.	Stone screw fastening kit M12
Colours	White

SPECIFICATION TEXT

LAUFEN PRO Wallhung WC Pack rimless, washdown, with seat and cover slim with lowering system

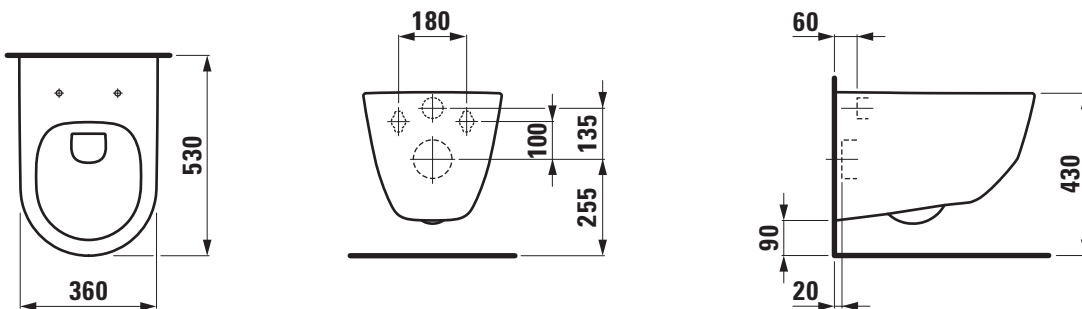
Wallhung WC rimless: sanitary ceramic, washdown, for concealed cistern, EN 977, EN 33, 4,5/3-l-flush, dimension ceramic 360 x 530 x 340 mm, concealed trap, concealed fixation

Special feature: rimless, concealed surfaces directing water are fully glazed throughout, vacuum checked

WC seat and cover slim: Duroplast, removable, with hollow space fixation, with automatic lowering system

Order no. 86695.7

TECHNICAL DRAWINGS / S 1 : 20



SET LAUFEN PRO

Wallhung WC Pack with niches, rimless, washdown, with seat and cover slim with lowering system

86695.4



TECHNICAL DATA

Order no.	86695.4
Certified to	Wallhung WC – EN 33
Specification	Wallhung WC rimless, washdown for 4,5/3-l-flush with seat and cover slim, Duroplast, removable, with hollow space fixation, with automatic lowering system
Weight	25,5 kg
Mounting acc. incl.	Installation tape, order no. 89299.2
Colours	White

SPECIFICATION TEXT

LAUFEN PRO Wallhung WC Pack with niches, rimless, washdown, with seat and cover slim with lowering system

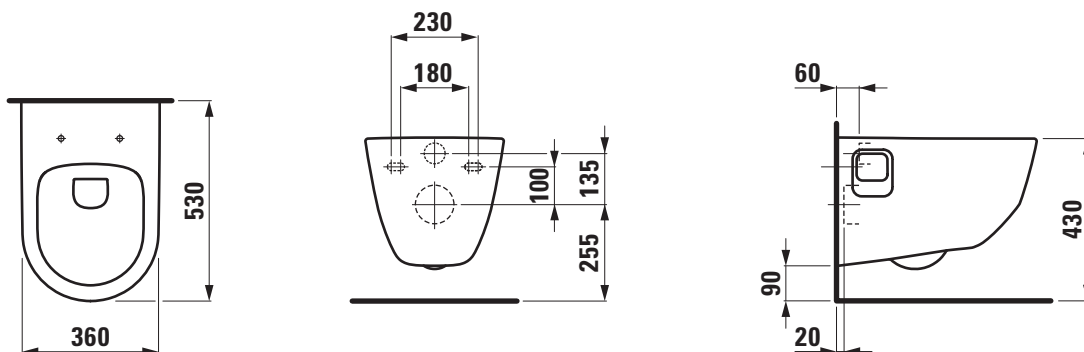
Wallhung WC rimless: sanitary ceramic, washdown, for concealed cistern, EN 977, EN 33, 4,5/3-l-flush, dimension ceramic 360 x 530 x 340 mm, concealed trap, with lateral niches

Special feature: rimless, concealed surfaces directing water are fully glazed throughout, vacuum checked

WC seat and cover slim: Duroplast, removable, with hollow space fixation, with automatic lowering system

Order no. 86695.4

TECHNICAL DRAWINGS / S 1 : 20



SET LAUFEN PRO

Wallhung WC Pack Compact, rimless, washdown, with seat and cover slim with lowering system

86695.5



TECHNICAL DATA

Order no.	86695.5
Certified to	Wallhung WC – EN 997, EN 33
Specification	Wallhung WC rimless Compact, washdown for 4,5/3-l-flush with seat and cover slim, Duroplast, removable, with hollow space fixation, with automatic lowering system
Weight	22,0 kg
Mounting acc. incl.	Installation tape, order no. 89299.2 laufen EasyFit system M12, order no. 89282.7
Mounting acc. excl.	Stone screw fastening kit M12
Colours	White

SPECIFICATION TEXT

LAUFEN PRO Wallhung WC Pack Compact, rimless, washdown, with seat and cover slim with lowering system

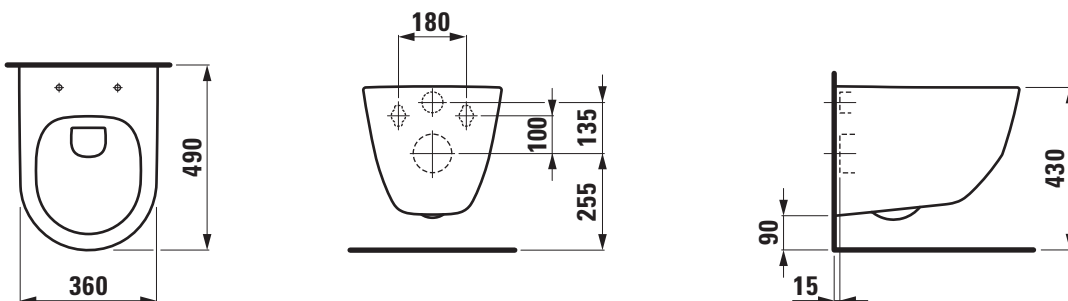
Wallhung WC rimless Compact: sanitary ceramic, washdown, for concealed cistern, EN 997, EN 33, 4,5/3-l-flush, dimension ceramic 360 x 490 x 340 mm, concealed trap, concealed fixation

Special feature: rimless, concealed surfaces directing water are fully glazed throughout, vacuum checked

WC seat and cover slim: Duroplast, removable, with hollow space fixation, with automatic lowering system

Order no. 86695.5

TECHNICAL DRAWINGS / S 1 : 20



SET LAUFEN PRO

Wallhung WC Pack washdown, with seat and cover slim with lowering system 86695.3



TECHNICAL DATA

Order no.	86695.3
Certified to	Wallhung WC – EN 997, EN 33
Specification	Wallhung WC pan, washdown for 4,5/3-l-flush with seat and cover slim, Duroplast, removable, with hollow space fixation, with automatic lowering system
Weight	25,5 kg
Mounting acc. incl.	Installation tape, order no. 89299.2 laufen EasyFit system M12, order no. 89282.7
Mounting acc. excl.	Stone screw fastening kit M12
Colours	White

SPECIFICATION TEXT

LAUFEN PRO Wallhung WC Pack washdown, with seat and cover slim with lowering system

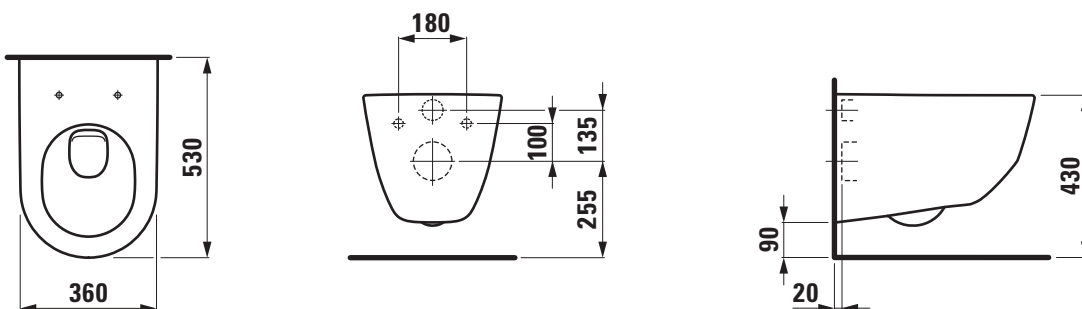
Wallhung WC: sanitary ceramic, washdown, for concealed cistern, EN 997, EN 33, 4,5/3-l-flush, dimension ceramic 360 x 530 x 340 mm, concealed trap, concealed fixation

Special feature: concealed surfaces directing water are fully glazed throughout, vacuum checked

WC seat and cover slim: Duroplast, removable, with hollow space fixation, with automatic lowering system

Order no. 86695.3

TECHNICAL DRAWINGS / S 1 : 20



SET LAUFEN PRO

Wallhung WC Pack rimless, washdown, with seat and cover slim with lowering system 86695.1



TECHNICAL DATA

Order no.	86695.1
Certified to	Wallhung WC – EN 997, EN 33
Specification	Wallhung WC rimless, washdown for 4,5/3-l-flush with seat and cover slim, Duroplast, removable, with hollow space fixation, with automatic lowering system
Weight	19,8 kg
Mounting acc. incl.	Installation tape, order no. 89299.2
Colours	White

SPECIFICATION TEXT

LAUFEN PRO Wallhung WC Pack rimless, washdown, with seat and cover slim with lowering system

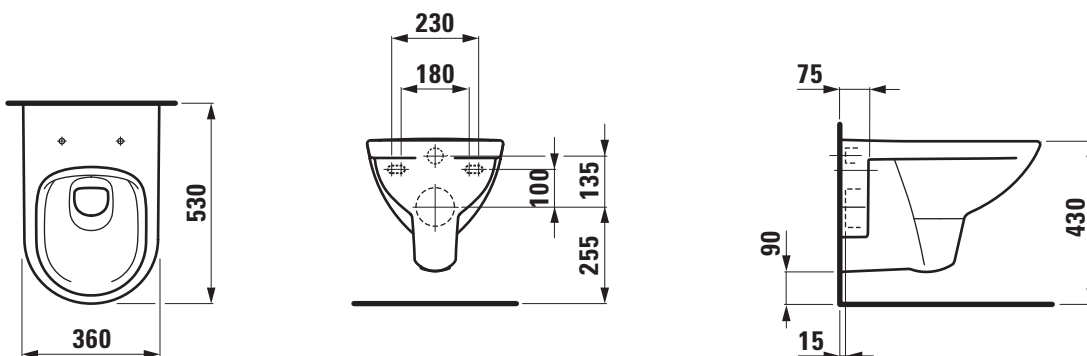
Wallhung WC rimless: sanitary ceramic, washdown, for concealed cistern, EN 997, EN 33, min. 4,5/3-l-flush, dimension ceramic 360 x 530 x 340 mm

Special feature: rimless, concealed surfaces directing water are fully glazed throughout, vacuum checked

WC seat and cover slim: Duroplast, removable, with hollow space fixation, with automatic lowering system

Order no. 86695.1

TECHNICAL DRAWINGS / S 1 : 20



SET LAUFEN PRO

Wallhung WC Pack washdown, with seat and cover slim with lowering system 86695.0



TECHNICAL DATA

Order no.	86695.0
Certified to	Wallhung WC – EN 997, EN 33
Specification	Wallhung WC pan, washdown for 5,9/5-l-flush with seat and cover slim, Duroplast, removable, automatic lowering system
Weight	19,4 kg
Mounting acc. incl.	Installation tape, order no. 89299.2
Colours	White

SPECIFICATION TEXT

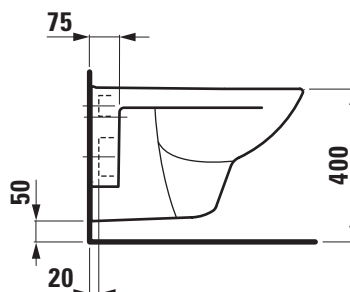
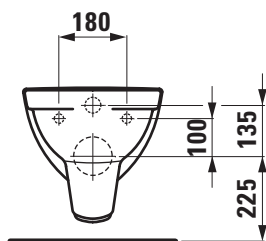
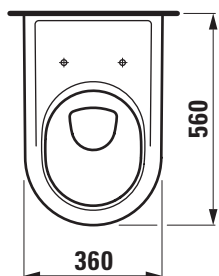
LAUFEN PRO Wallhung WC Pack washdown, with seat and cover slim with lowering system

Wallhung WC: sanitary ceramic, washdown, for concealed cistern EN 997, EN 33, 5,9/5-l-flush, dimension ceramic 360 x 560 x 350 mm
Special feature: concealed surfaces directing water are fully glazed throughout, vacuum checked

WC seat and cover slim: Duroplast, removable, with automatic lowering system

Order no. 86695.0

TECHNICAL DRAWINGS / S 1 : 20



SET LAUFEN PRO

Floorstanding WC Combi-Pack 824956, washdown, incl. cistern, with seat and cover slim with lowering system 86795.0.000.870.1



TECHNICAL DATA

Order no.	86795.0.000.870.1
Certified to	Floorstanding WC – EN 997, EN 33 Cistern – EN 14055
Specification	Floorstanding WC pan, washdown for 5,9/3-l-flush with cistern, flushing mechanism Dual-Flush 5/3-l (6/3-l-flush, 4,5/3-l-flush), water inlet side left, side right, 3/8" brass or rear, 1/2" brass, with water condensation insulation with seat and cover slim, Duroplast, removable, with hollow space fixation, with automatic lowering system
Outlet	horizontal
Weight	36,5 kg
Mounting acc. incl.	Fixing set, order no. 89175.7 Fastening kit for cistern, order no. 89744.6

Mounting acc. excl.	Angle valve for water inlet Water inlet hose
---------------------	---

Colours	White
---------	-------

SPECIFICATION TEXT

LAUFEN PRO Floorstanding WC Pack, washdown, with cistern, incl. seat and cover slim with lowering system

Floorstanding WC pan: sanitary ceramic, washdown, for cistern, EN 977, EN 33, 5,9/3-l-flush, dimension ceramic 360 x 670 x 420 mm, outlet horizontal, concealed fixation

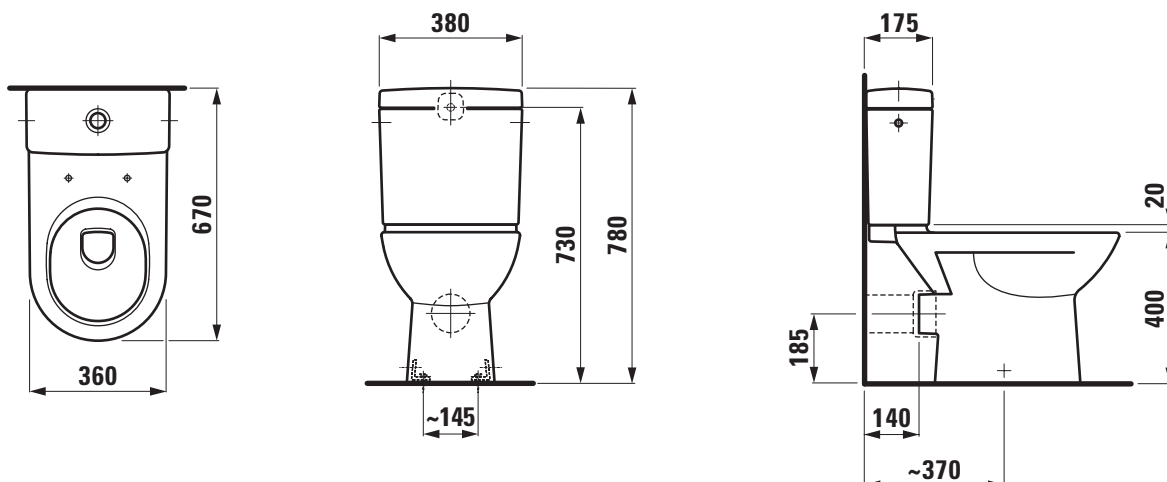
Special feature: concealed surfaces directing water are fully glazed throughout, vacuum checked

Cistern: sanitary ceramic, EN 14055, dimensions 380 x 175 x 400 mm Dual-Flush 5/3-l (6/3-l-flush, 4,5/3-l-flush), water inlet side left, side right, 3/8" brass or rear, 1/2" brass, with water condensation insulation

WC seat and cover slim: Duroplast, removable, with hollow space fixation, with automatic lowering system

Order no. 86795.0.000.870.1

TECHNICAL DRAWINGS / S 1 : 20



SET LAUFEN PRO

Floorstanding WC Combi-Pack 824957, washdown, incl. cistern, with seat and cover slim with lowering system 86795.1.000.870.1



TECHNICAL DATA

Order no.	86795.1.000.870.1
Certified to	Floorstanding WC – EN 997, EN 33 Cistern – EN 14055
Specification	Floorstanding WC pan, washdown for 6/3-l-flush with cistern, flushing mechanism Dual-Flush 5/3-l (6/3-l-flush, 4,5/3-l-flush), water inlet side left, side right, 3/8" brass or rear, 1/2" brass, with water condensation insulation with seat and cover slim, Duroplast, removable, with hollow space fixation, with automatic lowering system
Outlet	vertical
Weight	37,8 kg
Mounting acc. incl.	Fixing set, order no. 89175.7 Fastening kit for cistern, order no. 89744.6

Mounting acc. excl.	Angle valve for water inlet Water inlet hose
---------------------	---

Colours	White
---------	-------

SPECIFICATION TEXT

LAUFEN PRO Floorstanding WC Pack, washdown, with cistern, incl. seat and cover slim with lowering system

Floorstanding WC pan: sanitary ceramic, washdown, for cistern, EN 977, EN 33, 6/3-l-flush, dimension ceramic 360 x 670 x 420 mm, outlet vertical 225 mm, concealed fixation

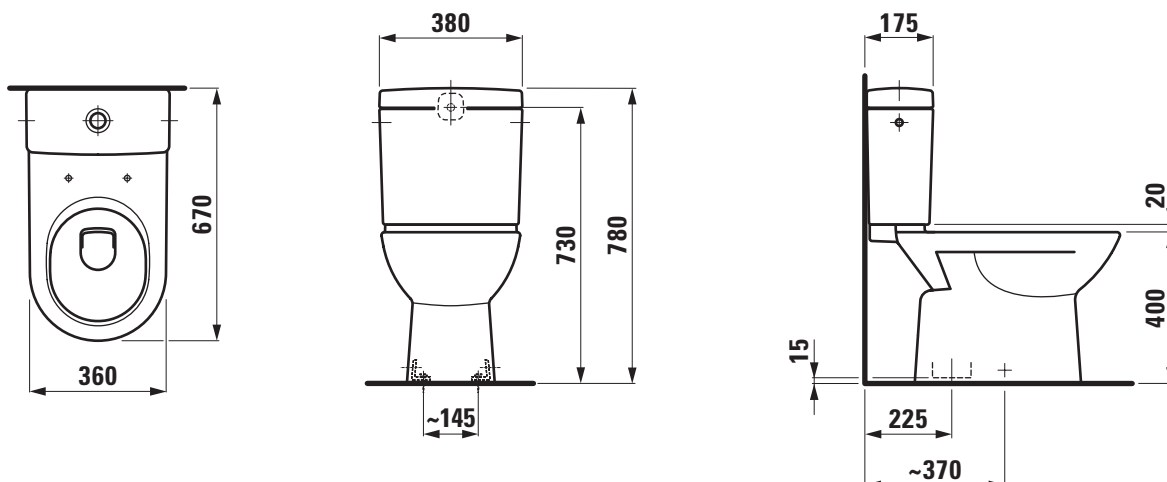
Special feature: concealed surfaces directing water are fully glazed throughout, vacuum checked

Cistern: sanitary ceramic, EN 14055, dimensions 380 x 175 x 400 mm Dual-Flush 5/3-l (6/3-l-flush, 4,5/3-l-flush), water inlet side left, side right, 3/8" brass or rear, 1/2" brass, with water condensation insulation

WC seat and cover slim: Duroplast, removable, with hollow space fixation, with automatic lowering system

Order no. 86795.1.000.870.1

TECHNICAL DRAWINGS / S 1 : 20



SET LAUFEN PRO

Floorstanding WC Combi-Pack 825952, washdown, incl. cistern, with seat and cover slim with lowering system 86795.3.000.870.1



TECHNICAL DATA

Order no.	86795.3.000.870.1
Certified to	Floorstanding WC – EN 997, EN 33 Cistern – EN 14055
Specification	Floorstanding WC pan, washdown for 5/3-l-flush, 2 fixing holes, without laterale holes with cistern, flushing mechanism Dual-Flush 5/3-l (6/3-l-flush, 4,5/3-l-flush), water inlet side left, side right, 3/8" brass or rear, 1/2" brass, with water condensation insulation with seat and cover slim, Duroplast, removable, with hollow space fixation, with automatic lowering system
Outlet	horizontal VARIO, vertical 70 - 260 mm
Weight	42,0 kg
Mounting acc. incl.	Fixing set, order no. 89175.7 Fastening kit for cistern, order no. 89544.0

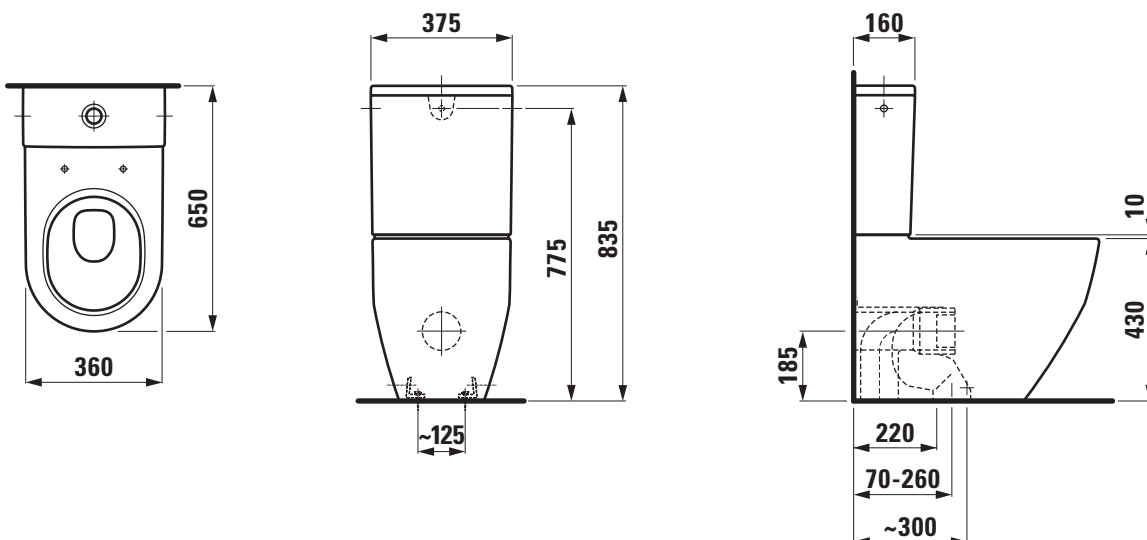
Mounting acc. excl. Angle valve for water inlet
Water inlet hose

Colours White

SPECIFICATION TEXT

LAUFEN PRO Floorstanding WC Pack, washdown, with cistern, incl. seat and cover slim with lowering system
Floorstanding WC pan: sanitary ceramic, washdown, for cistern, EN 977, EN 33, 5/3-l-flush, dimension ceramic 360 x 650 x 440 mm, outlet horizontal, VARIO vertical 70 - 260 mm, back to wall, concealed fixation, 2 fixing holes
Special feature: concealed surfaces directing water are fully glazed throughout, vacuum checked
Cistern: sanitary ceramic, EN 14055, dimensions 375 x 160 x 395 mm Dual-Flush 5/3-l (6/3-l-flush, 4,5/3-l-flush), water inlet side left, side right, 3/8" brass or rear, 1/2" brass, with water condensation insulation
WC seat and cover slim: Duroplast, removable, with hollow space fixation, with automatic lowering system
Order no. 86795.3.000.870.1

TECHNICAL DRAWINGS / S 1 : 20



SHOWER TOILETS

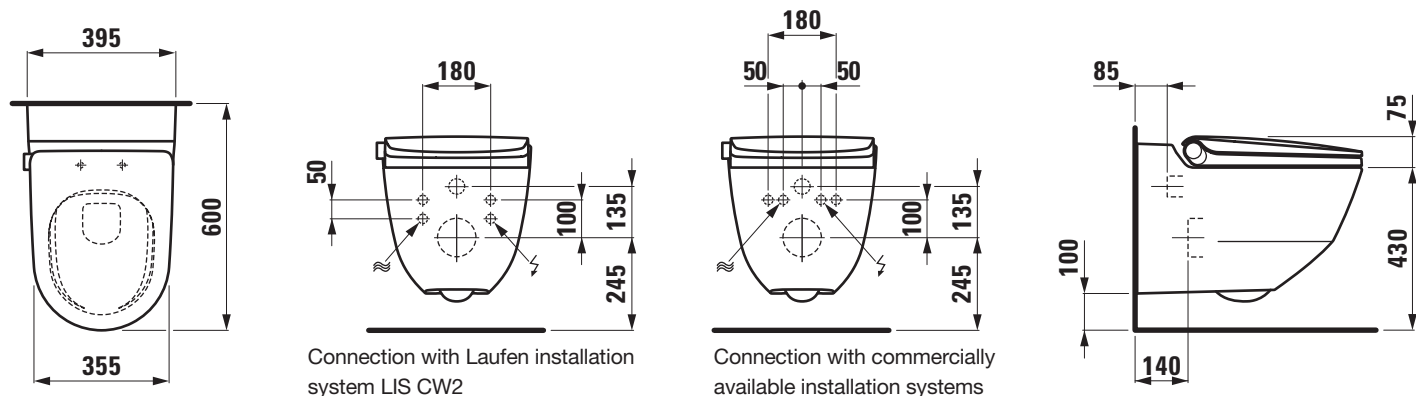
Shower toilet, rimless, wall-hung with remote control, with seat and cover 82069.1



TECHNICAL DATA

Order no.	82069.1	Power supply & consumption	Power consumption in use max. 1'400 W Power consumption in standby (boiler at ECO or OFF, LED display OFF) < 1 W Protection rating IPX4 Protection class I
Certified to	CE, IPX4, EN 13077, SVGW Drinking water standards EN 1717	Weight	40,0 kg
matching for	LIS CW2 Concealed frame with cistern for shower toilets, order no. 89466.1	Accessories incl.	Touch screen remote control, with AAA batteries and wall holder Carbon filter, splash protection User manual
Specifications	Shower toilet, rimless, wall-hung, with ceramic surface refinement LCC (only white) Washdown, flushing from 6 l to 4.5 l, concealed fixation Controller with rotary button for shower function	Mounting acc. incl.	Inlet and outlet pipes, fastening kit M12 with mounting plate, sound insulation set (DIN 4109) and water connection set for shower toilet Mounting instruction
Functions	Rear shower and lady shower adjustable in pressure, position and temperature, shower duration range 15-20-25 sec Oscillating and pulsating cleaning mode 4 programmable user profiles Self cleaning of shower head before and after every use Automatic air purifier with active carbon filter Descaling programme Thermal cleaning heats up the entire water-carrying system with water heated to 70°C Light with signaling feature	Mounting acc. excl.	Adapter plate for Cleanet Riva Shower Toilet, order no. 89469.0 Stone screw fastening kit M12
Water pressure & temperature	Shower 7 pressure levels Flow rate ca. 4.3 l/min, Power mode ca. 5.6 l/min, Lady shower ca. 2.5 l/min Shower 7 temperature level	Colours	400 – White LCC, 757 – White matt
Water inlet	concealed, G 3/8"	SPECIFICATION TEXT	
Outlet	DN 110 mm horizontal	Shower toilet, rimless, wall-hung, washdown Laufen CLEANET RIVA toilet pan sanitary ceramic, with ceramic surface refinement LCC (only white)	
WC seat and cover	Duroplast, removable, with lowering system	WC seat and cover Duroplast, removable, with lowering system	
Power supply & consumption	concealed Rated voltage 220 to 240 V, 50/60 Hz Direct connection by NYM cable possible	CE, IPX4, EN 13077, SVGW, Drinking water standards EN 1717 min. 4.5/3-l-flush, dimensions 395 x 600 x 405 mm, concealed fixation Special feature: Touch screen remote control, rear shower and lady shower, with adjustable water pressure, temperature and nozzle position, oscillating and pulsating cleaning mode, integrated self cleaning shower head before and after every use, integrated odour filter, light with signaling feature, programmable user profiles, water supply and power supply concealed	
		Order no. 82069.1	

TECHNICAL DRAWINGS / S 1 : 20



**Seat and cover with automatic lowering system
89169.1**



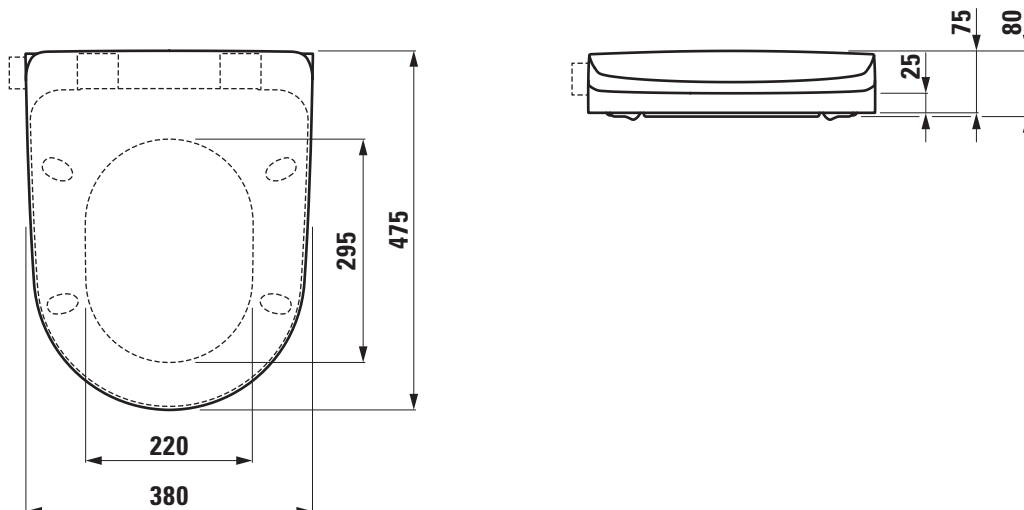
TECHNICAL DATA

Order no.	89169.1
matching for	Shower toilet, rimless, wall-hung, order no. 82069.1
Specification	removable with automatic lowering system
Weight	3,3 kg
Mounting acc.	included
Colours	see colour table

SPECIFICATION TEXT

WC seat and cover Laufen CLEANET RIVA, Duroplast removable, automatic lowering system matching shower toilet, rimless, wall-hung, order no. 82069.1
Order no. 891691.1

TECHNICAL DRAWINGS / S 1 : 10



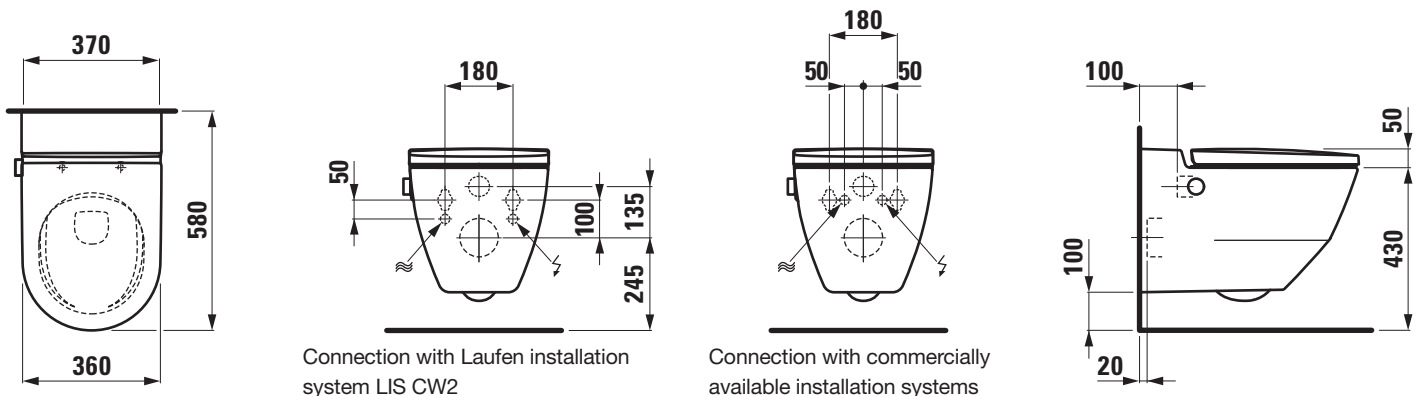
Shower toilet, rimless, wall-hung with seat and cover 82060.1 ... 000 1



TECHNICAL DATA

Order no.	82060.1 ... 000 1	Power supply & consumption	concealed Rated voltage 220 to 230 V, 50/60 Hz Direct connection by NYM cable possible External connection with Laufen cable routing possible, order no. 89560.3 (to be ordered separately) Power consumption in use max. 1'150 W Protection rating IPX4 Protection class I
Certified to	CE, IPX4, EN 13077, SVGW Drinking water standards EN 1717	Weight	33,0 kg
matching for	LIS CW2 Concealed frame with cistern for shower toilets, order no. 89466.1, 89466.6	Accessories incl.	Rotary button for shower function
Specifications	Shower toilet, rimless, wall-hung, with ceramic surface refinement LCC (only white) Washdown, flushing from 6 l to 4.5 l Concealed fixation Rotary button for shower function	Mounting acc. incl.	Inlet and outlet pipes, fastening kit M12 with connection plate, incl. mounting tool, sound insulation set (DIN 4109) and water connection set for shower toilet
Functions	Rear shower adjustable in pressure & position Oscillation function Temperature adjustable via mobile app (ios/Android) Self cleaning of shower head before and after every use Exchangeable shower head is fully recessed in the ceramic with a cover ring LED signal light Integrated descaling function	Mounting acc. excl.	Adapter plate for Cleanet Navia Shower Toilet, order no. 89469.0 External cable routing, order no. 89560.3 Stone screw fastening kit M12
Water pressure & temperature	Shower 7 pressure levels Flow rate ca. 3.5 l/min Temperature level via mobile app (ios/Android)	Colours	400 – White LCC, 757 – White matt
Water inlet	concealed, G 3/8" Water flow pressure range 0.1 to 1 MPa (1-10 bar) Operating temperature range +5 to +40 °C	SPECIFICATION TEXT	
Outlet	DN 90 mm horizontal	Shower toilet, rimless, wall-hung, washdown Laufen CLEANET NAVIA toilet pan sanitary ceramic, with ceramic surface refinement LCC (only white) WC seat and cover Duroplast, removable, with lowering system CE, IPX4, EN 13077, SVGW, Drinking water standards EN 1717 min. 4.5/3-l-flush, dimensions 370 x 580 x 380 mm, concealed fixation Special feature: Rear shower, with adjustable water pressure and position, temperature adjustable via mobile app (ios/Android), oscillation function, integrated self cleaning shower head before and after every use, LED signal light, concealed water supply and power supply Order no. 82060.1 ... 000 1	
WC seat and cover	included Duroplast, removable, with lowering system, order no. 89160.1		

TECHNICAL DRAWINGS / S 1 : 20



**Adapter plate
for Shower toilet, rimless, wall-hung
89469.0**



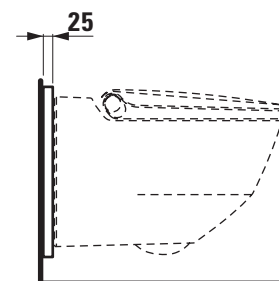
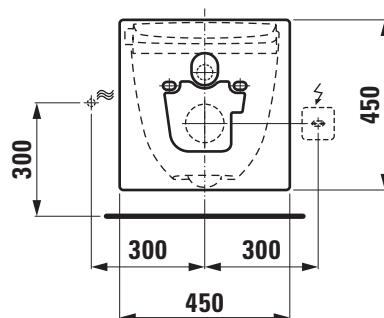
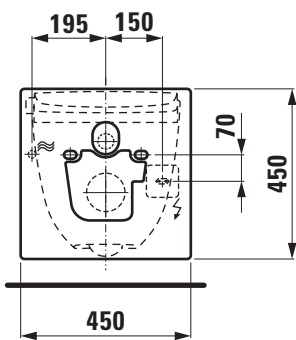
TECHNICAL DATA

Order no.	89469.0
matching for	Shower toilet, rimless, wall-hung, Cleanet Riva, order no. 82069.1 Cleanet Navia, order no. 82060.1 / Charge 000
Dimensions	450 x 25 x 450 mm
Specifications	For installation of wall-hung shower toilet with connections more than 9 cm outside the center With lacquered surface
Weight	2,0 kg

SPECIFICATION TEXT

Adapter plate Laufen CLEANET RIVA / NAVIA
for installation of wall-hung shower toilet with connections more than
9 cm outside the center
dimensions 450 x 25 x 450 mm
with lacquered surface
matching shower toilet, rimless, wall-hung, Cleanet Riva, order no. 82069.1,
Cleanet Navia, order no. 82060.1/option 000
Order no. 89469.0

TECHNICAL DRAWINGS / S 1 : 20



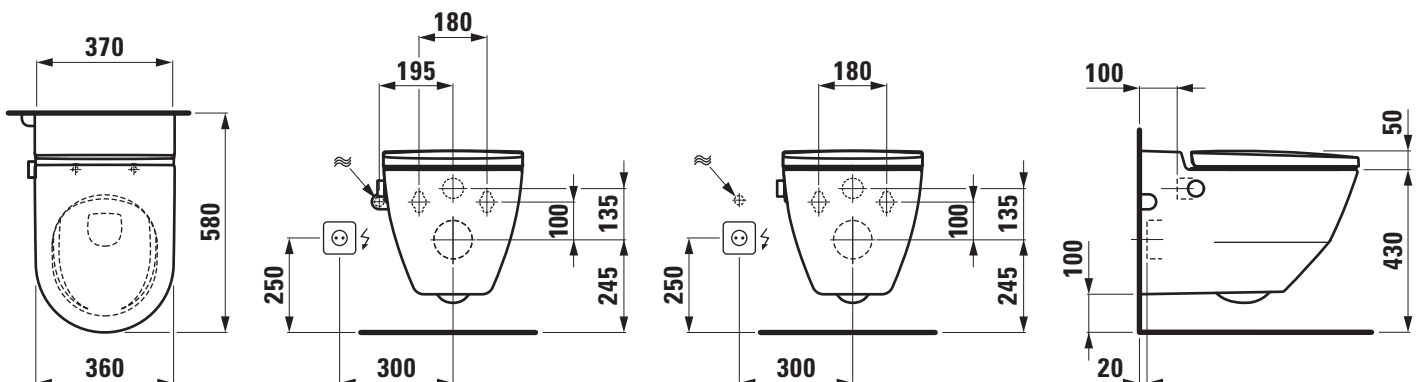
Shower toilet, rimless, wall-hung with lateral opening for water supply 19,5 cm, with seat and cover 82060.1 ... 717 1



TECHNICAL DATA

Order no.	82060.1 ... 717 1	Power supply & consumption	Rated voltage 220 to 230 V, 50/60 Hz Connection by NYM cable or H05VV-F Power consumption in use max. 1'150 W Protection rating IPX4 Protection class I
Certified to	CE, IPX4, EN 13077, SVGW Drinking water standards EN 1717	Weight	33,0 kg
matching for	commercially available installation system for shower toilets	Accessories incl.	Rotary button for shower function
Specifications	Shower toilet, rimless, wall-hung, with ceramic surface refinement LCC (only white) Washdown, flushing from 6 l to 4.5 l Concealed fixation Rotary button for shower function	Mounting acc. incl.	Inlet and outlet pipes, fastening kit M12 with connection plate, incl. mounting tool, sound insulation set (DIN 4109), water connection set 19,5 cm for shower toilet and cover for lateral opening External cable routing, order no. 89560.3
Functions	Rear shower adjustable in pressure & position Oscillation function Temperature adjustable via mobile app (ios/Android) Self cleaning of shower head before and after every use Exchangeable shower head is fully recessed in the ceramic with a cover ring LED signal light Integrated descaling function	Mounting acc. excl.	Water connection set for shower toilet for external angle valve, order no. 89460.1 Stone screw fastening kit M12
Water pressure & temperature	Shower 7 pressure levels Flow rate ca. 3.5 l/min Temperature level via mobile app (ios/Android)	Colours	400 – White LCC, 757 – White matt
Water inlet	G 3/8" Water flow pressure range 0.1 to 1 MPa (1-10 bar) Operating temperature range +5 to +40 °C	SPECIFICATION TEXT Shower toilet, rimless, wall-hung, with lateral opening for water supply 19,5 cm, washdown Laufen CLEANET NAVIA toilet pan sanitary ceramic, with ceramic surface refinement LCC (only white) WC seat and cover Duroplast, removable, with lowering system CE, IPX4, EN 13077, SVGW, Drinking water standards EN 1717 min. 4.5/3-l-flush, dimensions 370 x 580 x 380 mm, concealed fixation Special feature: Rear shower, with adjustable water pressure and position, temperature adjustable via mobile app (ios/Android), oscillation function, integrated self cleaning shower head before and after every use, LED signal light, Order no. 82060.1 ... 717 1	
Outlet	DN 90 mm horizontal		
WC seat and cover	included Duroplast, removable, with lowering system, order no. 89160.1		

TECHNICAL DRAWINGS / S 1 : 20



**Seat and cover with automatic lowering system
LAUFEN PRO
89160.1**



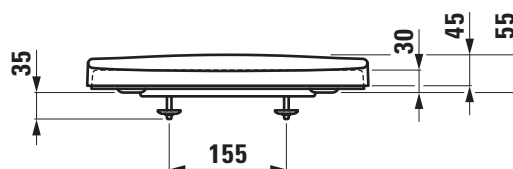
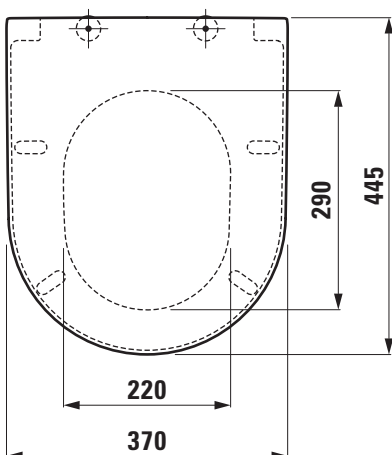
TECHNICAL DATA

Order no.	89160.1
matching for	Shower toilet, rimless, wall-hung, Cleanet Navia, order no. 82060.1 Floorstanding WC pan Laufen Pro, order no. 82295.2, 82295.6, 82495.5, 82595.1, 82595.2 Wallhung WC pan Laufen Pro, order no. 82095.6, 82095.9, 82096.0, 82096.4, 82096.5, 82096.6
Specification	removable with automatic lowering system
Weight	2,5 kg
Mounting acc.	included
Colours	see colour table

SPECIFICATION TEXT

WC seat and cover LAUFEN PRO, Duroplast removable, automatic lowering system matching shower toilet, rimless, wall-hung Cleanet Navia, order no. 82060.1, floorstanding WC pan Laufen Pro, order no. 82295.2, 82295.6, 82495.5, 82595.1, 82595.2 and wallhung WC pan Laufen Pro, order no. 82095.6, 82095.9, 82096.0, 82096.4, 82096.5, 82096.6
Order no. 89160.1

TECHNICAL DRAWINGS / S 1 : 10



WALLHUNG SEPARATION TOILETS

Wallhung separation toilet, rimless
82066.2



TECHNICAL DATA

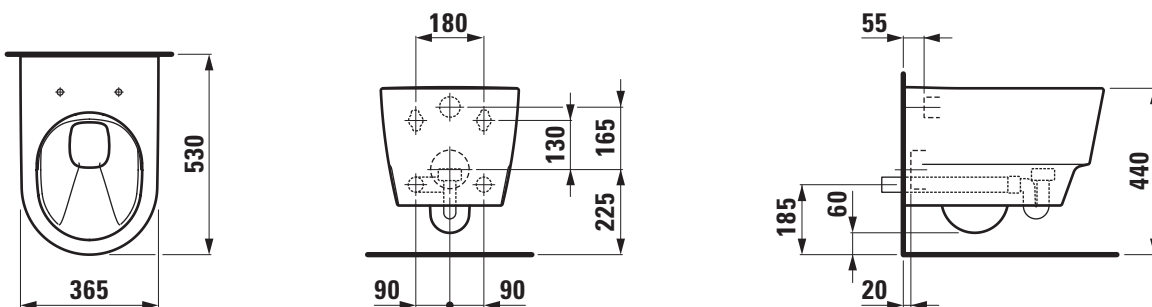
Order no.	82066.2
Certified to	EN 997
Specification	urine-diverting-toilet rimless Washdown for 4,5/3-l-flush (4/2,5-l-flush) Hygienic wastewater separation (installation in conjunction with Laufen installation system CW12 is required for the water drains). Odour trap in the urine siphon.
Outlet	horizontal
Weight	24,0 kg
Accessories excl.	Seat and cover, order no. 89395.5, 89695.0, 89896.5 Seat and cover with automatic lowering system, order no. 89160.1, 89395.9, 89695.1, 89896.6
Mounting acc. incl.	Urine siphon DN 32, sleeve DN 40, left or right, order no. 89866.9 laufen EasyFit system M12, order no. 89282.7

Mounting acc. excl.	Laufen installation system CW12, with cistern for wallhung separation toilet, order no. 82009.0 Stone screw fastening kit M12
Colours	see colour table

SPECIFICATION TEXT

Wallhung separation toilet rimless, washdown LAUFEN SAVE!, sanitary ceramic, for concealed frame with cistern for separation toilet (installation in conjunction with Laufen installation system CW12 is required for the water drains)
 EN 977, 4,5/3-l-flush (4/2,5-l-flush)
 dimensions 365 x 530 x 380 mm
 concealed trap, concealed fixation
 Special feature: hygienic wastewater separation, rimless, concealed surfaces directing water are fully glazed throughout, vacuum checked
 Further options / accessories: Surface refinement LCC (only white), Laufen installation system CW12 for separation toilet, order no. 82009.0, WC seat and cover, 89395.5, 89695.0, 89896.5, WC seat and cover with automatic lowering 89160.1, 89395.9, 89695.1, 89896.6
 Order no. 82066.2

TECHNICAL DRAWINGS / S 1 : 20



SET LAUFEN PRO

Seat and cover slim

89896.5



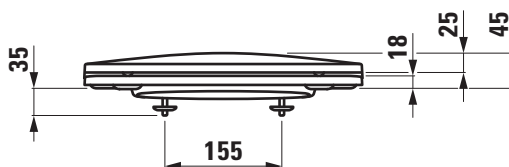
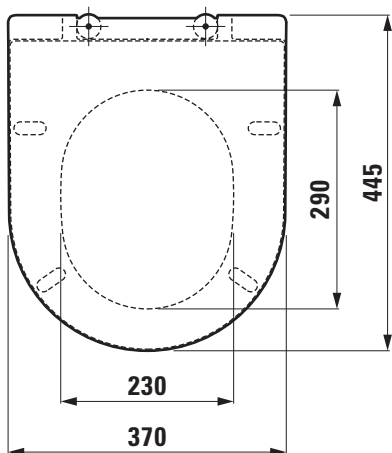
TECHNICAL DATA

Order no.	89896.5
matching for	Floorstanding WC pan, order no. 82295.2, 82295.6, 82495.5, 82595.1, 82595.2, 82595.8, 82596.2, 82596.4 Wallhung WC pan, order no. 82095.6, 82095.9, 82096.0, 82096.4, 82096.5, 82096.6, 82196.2 Wallhung separation toilet Save!, order no. 82066.2
Specification	removable with hollow space fixation
Weight	2,0 kg
Mounting acc.	included
Colours	see colour table

SPECIFICATION TEXT

WC seat and cover slim LAUFEN PRO, Duroplast
hollow space fixation, removable
matching floorstanding WC pan, order no. 82295.2, 82295.6, 82495.5, 82595.1, 82595.2, 82595.8, 82596.2, 82596.4, wallhung WC pan, order no. 82095.6, 82095.9, 82096.0, 82096.4, 82096.5, 82096.6, 82196.2 and wallhung separation toilet Save!, order no. 82066.2
Order no. 89896.5

TECHNICAL DRAWINGS / S 1 : 10



Seat and cover slim with automatic lowering system
89896.6



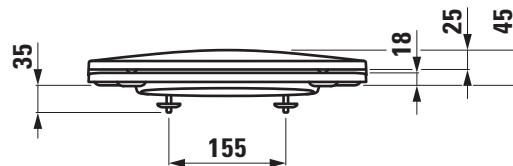
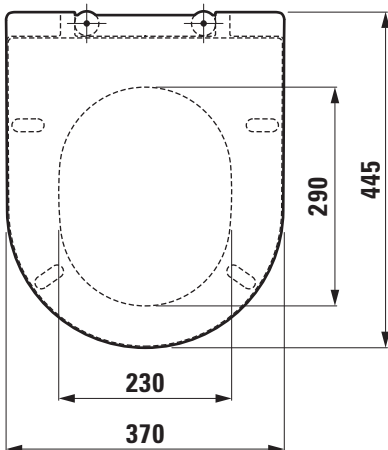
TECHNICAL DATA

Order no.	89896.6
matching for	Floorstanding WC pan, order no. 82295.2, 82295.6, 82495.5, 82595.1, 82595.2, 82595.8, 82596.2, 82596.4 Wallhung WC pan, order no. 82095.6, 82095.9, 82096.0, 82096.4, 82096.5, 82096.6, 82196.2 Wallhung separation toilet Save!, order no. 82066.2
Specification	removable with hollow space fixation with automatic lowering system
Weight	2,0 kg
Mounting acc.	included
Colours	see colour table

SPECIFICATION TEXT

WC seat and cover slim LAUFEN PRO, Duroplast hollow space fixation, removable, automatic lowering system matching floorstanding WC pan, order no. 82295.2, 82295.6, 82495.5, 82595.1, 82595.2, 82595.8, 82596.2, 82596.4, wallhung WC pan, order no. 82095.6, 82095.9, 82096.0, 82096.4, 82096.5, 82096.6, 82196.2 and wallhung separation toilet Save!, order no. 82066.2
 Order no. 89896.6

TECHNICAL DRAWINGS / S 1 : 10



SET LAUFEN PRO

Seat and cover Special

89695.0



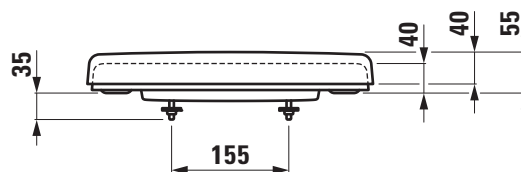
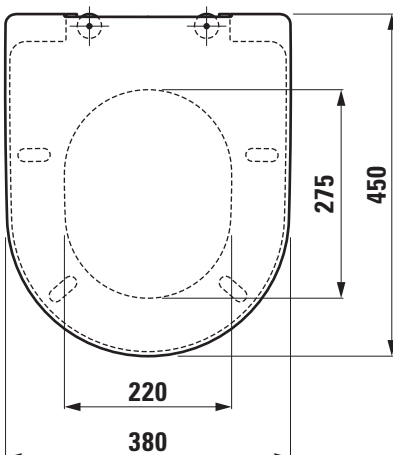
TECHNICAL DATA

Order no.	89695.0
matching for	Floorstanding WC pan, order no. 82295.2, 82295.6, 82595.1, 82595.2, 82595.8, 82596.2, 82596.4 Wallhung WC pan, order no. 82095.6, 82095.9, 82096.0, 82096.4, 82096.5, 82096.6, 82196.2 Wallhung separation toilet Save!, order no. 82066.2
Specification	removable with hollow space fixation
Weight	1,9 kg
Mounting acc.	included
Colours	see colour table

SPECIFICATION TEXT

WC seat and cover Spezial LAUFEN PRO, Duroplast
hollow space fixation, removable
matching floorstanding WC pan, order no. 82295.2, 82295.6, 82595.1, 82595.2, 82595.8, 82596.2, 82596.4, wallhung WC pan, order no. 82095.6, 82095.9, 82096.0, 82096.4, 82096.5, 82096.6, 82196.2 and
wallhung separation toilet Save!, order no. 82066.2
Order no. 89695.0

TECHNICAL DRAWINGS / S 1 : 10



Seat and cover Special with automatic lowering system
89695.1



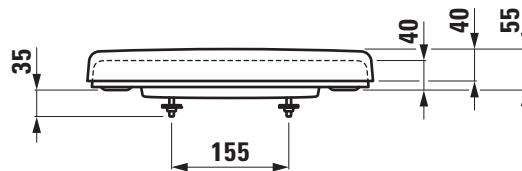
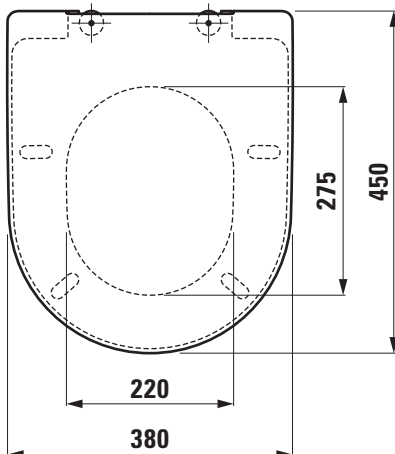
TECHNICAL DATA

Order no.	89695.1
matching for	Floorstanding WC pan, order no. 82295.2, 82295.6, 82595.1, 82595.2, 82595.8, 82596.2, 82596.4 Wallhung WC pan, order no. 82095.6, 82095.9, 82096.0, 82096.4, 82096.5, 82096.6, 82196.2 Wallhung separation toilet Save!, order no. 82066.2
Specification	removable with hollow space fixation with automatic lowering system
Weight	1,9 kg
Mounting acc.	included
Colours	see colour table

SPECIFICATION TEXT

WC seat and cover LAUFEN PRO, Duroplast hollow space fixation, removable , automatic lowering system matching floorstanding WC pan, order no. 82295.2, 82295.6, 82595.1, 82595.2, 82595.8, 82596.2, 82596.4, wallhung WC pan, order no. 82095.6, 82095.9, 82096.0, 82096.4, 82096.5, 82096.6, 82196.2 and wallhung separation toilet Save!, order no. 82066.2
 Order no. 89695.1

TECHNICAL DRAWINGS / S 1 : 10



**Seat and cover with automatic lowering system
89160.1**



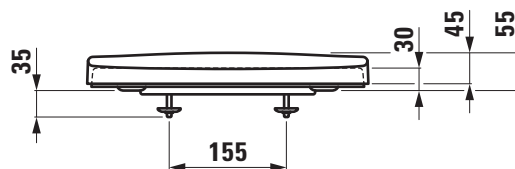
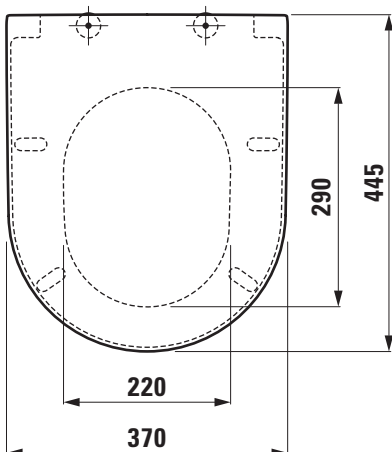
TECHNICAL DATA

Order no.	89160.1
matching for	Shower toilet, rimless, wall-hung, Cleanet Navia, order no. 82060.1 Floorstanding WC pan Laufen Pro, order no. 82295.2, 82295.6, 82495.5, 82595.1, 82595.2, 82595.8, 82596.2, 82596.4 Wallhung WC pan Laufen Pro, order no. 82095.6, 82095.9, 82096.0, 82096.4, 82096.5, 82096.6, 82196.2 Wallhung separation toilet Save!, order no. 82066.2
Specification	removable with automatic lowering system
Weight	2,5 kg
Mounting acc.	included
Colours	see colour table

SPECIFICATION TEXT

WC seat and cover LAUFEN PRO, Duroplast removable, automatic lowering system matching shower toilet, rimless, wall-hung Cleanet Navia, order no. 82060.1, floorstanding WC pan Laufen Pro, order no. 82295.2, 82295.6, 82495.5, 82595.1, 82595.2, 82595.8, 82596.2, 82596.4, wallhung WC pan Laufen Pro, order no. 82095.6, 82095.9, 82096.0, 82096.4, 82096.5, 82096.6, 82196.2 and wallhung separation toilet Save!, order no. 82066.2
Order no. 89160.1

TECHNICAL DRAWINGS / S 1 : 10



SET LAUFEN PRO

Seat and cover Universal

89395.5



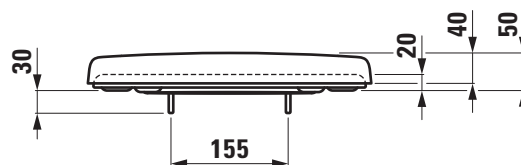
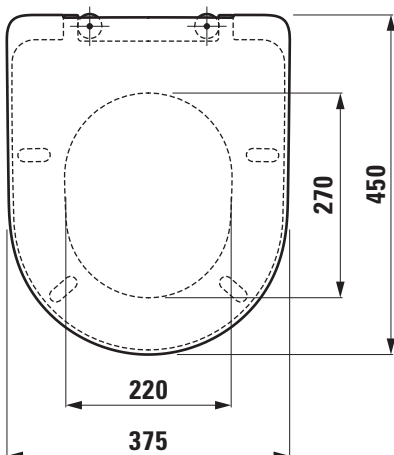
TECHNICAL DATA

Order no.	89395.5
matching for	Floorstanding WC pan, order no. 82295.2, 82295.6, 82595.1, 82595.2, 82595.8, 82596.2, 82596.4 Wallhung WC pan, order no. 82095.6, 82095.9, 82096.0, 82096.4, 82096.5, 82096.6, 82196.2 Wallhung separation toilet Save!, order no. 82066.2
Specification	removable with hollow space fixation
Weight	1,9 kg
Mounting acc.	included
Colours	see colour table

SPECIFICATION TEXT

WC seat and cover Universal LAUFEN PRO, Duroplast hollow space fixation, removable matching floorstanding WC pan, order no. 82295.2, 82295.6, 82595.1, 82595.2, 82595.8, 82596.2, 82596.4, wallhung WC pan, order no. 82095.6, 82095.9, 82096.0, 82096.4, 82096.5, 82096.6, 82196.2 and wallhung separation toilet Save!, order no. 82066.2
Order no. 89395.5

TECHNICAL DRAWINGS / S 1 : 10



Seat and cover Universal with automatic lowering system
89395.9



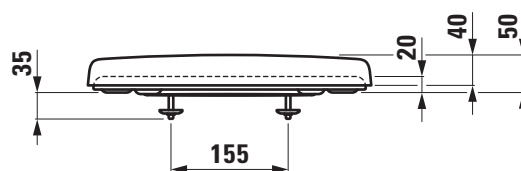
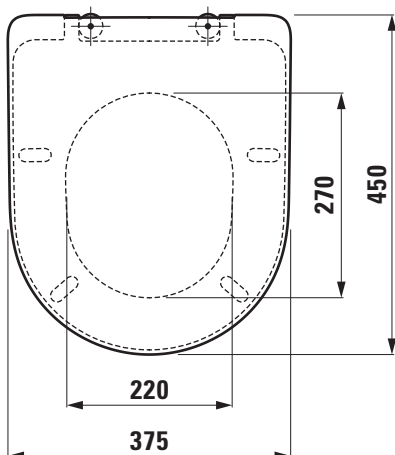
TECHNICAL DATA

Order no.	89395.9
matching for	Floorstanding WC pan, order no. 82295.2, 82295.6, 82595.1, 82595.2, 82595.8, 82596.2, 82596.4 Wallhung WC pan, order no. 82095.6, 82095.9, 82096.0, 82096.4, 82096.5, 82096.6, 82196.2 Wallhung separation toilet Save!, order no. 82066.2
Specification	removable with hollow space fixation with automatic lowering system
Weight	1,9 kg
Mounting acc.	included
Colours	see colour table

SPECIFICATION TEXT

WC seat and cover Universal LAUFEN PRO, Duroplast hollow space fixation, removable , automatic lowering system matching floorstanding WC pan, order no. 82295.2, 82295.6, 82595.1, 82595.2, 82595.8, 82596.2, 82596.4, wallhung WC pan, order no. 82095.6, 82095.9, 82096.0, 82096.4, 82096.5, 82096.6, 82196.2 and wallhung separation toilet Save!, order no. 82066.2
 Order no. 89395.9

TECHNICAL DRAWINGS / S 1 : 10



SIPHONIC URINALS



TECHNICAL DATA

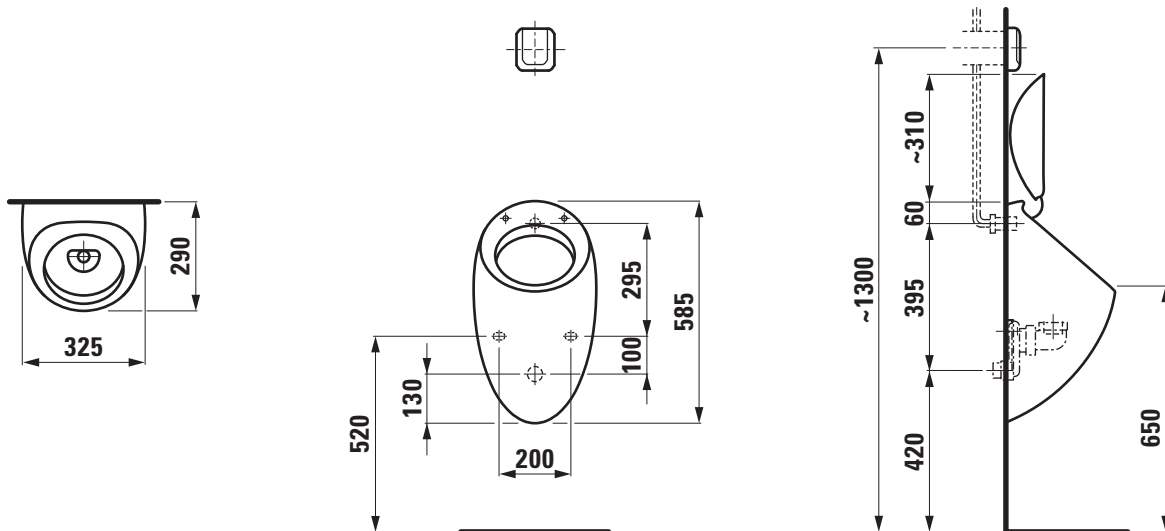
Order no.	84097.1
Certified to	EN 80, EN 13407
matching for	LIS CU2 Concealed frame for urinal without integrated control, order no. 89266.4
Specification	1-l flushing siphonic urinal Only to be used with cover only in combination with fixing set order no. 89280.8
Water inlet	concealed
Outlet	horizontal
Flushing	1 l
Flushing rate	minimum 0.3 l/s
Weight	10,0 kg
Accessories excl.	Urinal cover, order no. 89497.1
Mounting acc. incl.	Wall fixing set M8 LAUFEN, order no. 89280.8
Mounting acc. excl.	LIS CU2 horizontal inlet connection, order no. 89009.7 all siphons has to be used in combination with the outlet connection pipe (order no. 89497.3) 1-litre siphon with horizontal outlet DN 50 (standard Europe, except CH and UK), order no. 89418.1

Mounting acc. excl.	Stone screw fixing set M12 Changing set LAUFEN Stone screw fixing set M8 Adaption set for stone screws M10, order no. 89281.6 Adaption set for stone screws M12, order no. 89281.4
Colours	see colour table

SPECIFICATION TEXT

Siphonic urinal Laufen-IL BAGNO ALESSI ONE sanitary ceramic EN 80, EN 13407 dimensions 325 x 290 x 585 mm (with cover 895 mm) only to be used with cover 1-l flush, water inlet concealed, outlet horizontal, flushing rate minimum 0.3 l/s
Special feature: Surface refinement LCC (only white), vacuum and performance tested
Further options / accessories: LIS CU2 horizontal inlet connection, 1-litre siphon with horizontal outlet DN 50 (standard Europe, except CH and UK), urinal cover, LIS CU2 concealed frame for urinal without integrated control
Order no. 84097.1

TECHNICAL DRAWINGS / S 1 : 20



SET IL BAGNO ALESSI ONE

Urinal cover

89497.1



TECHNICAL DATA

Order no.	89497.1
matching for	Siphonic urinal, order no. 84097.1
Weight	0,8 kg
Mounting acc.	included
Colours	see colour table

SPECIFICATION TEXT

Urinal cover Laufen-IL BAGNO ALESSI ONE, Duroplast
matching urinal, order no. 84097.1
Order no. 89497.1

SET IL BAGNO ALESSI ONE

Siphonic urinal 84097.5



TECHNICAL DATA

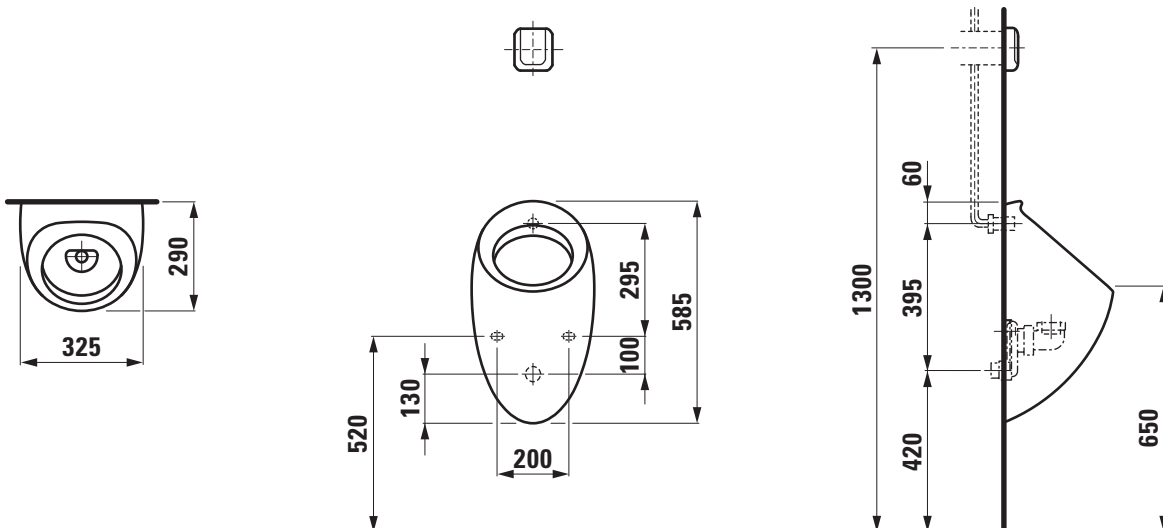
Order no.	84097.5
Certified to	EN 80, EN 13407
matching for	LIS CU2 Concealed frame for urinal without integrated control, order no. 89266.4
Specification	1-l flushing siphonic urinal only in combination with fixing set order no. 89280.8
Water inlet	concealed
Outlet	horizontal
Flushing	1 l
Flushing rate	minimum 0.3 l/s
Weight	10,0 kg
Mounting acc. incl.	Wall fixing set M8 LAUFEN, order no. 89280.8
Mounting acc. excl.	LIS CU2 horizontal inlet connection, order no. 89009.7 all siphons has to be used in combination with the outlet connection pipe (order no. 89497.3) 1-litre siphon with horizontal outlet DN 50 (standard Europe, except CH and UK), order no. 89418.1

Mounting acc. excl.	Stone screw fixing set M12 Changing set LAUFEN Stone screw fixing set M8 Adaption set for stone screws M10, order no. 89281.6 Adaption set for stone screws M12, order no. 89281.4
Colours	see colour table

SPECIFICATION TEXT

Siphonic urinal Laufen-IL BAGNO ALESSI ONE sanitary ceramic EN 80, EN 13407, dimensions 325 x 290 x 585 mm
1-l flush, water inlet concealed, outlet horizontal, flushing rate minimum 0.3 l/s
Special feature: Surface refinement LCC (only white), vacuum and performance tested
Further options / accessories: LIS CU2 horizontal inlet connection, 1-litre siphon with horizontal outlet DN 50 (standard Europe, except CH and UK), LIS CU2 concealed frame for urinal without integrated control
Order no. 84097.5

TECHNICAL DRAWINGS / S 1 : 20



URINALS

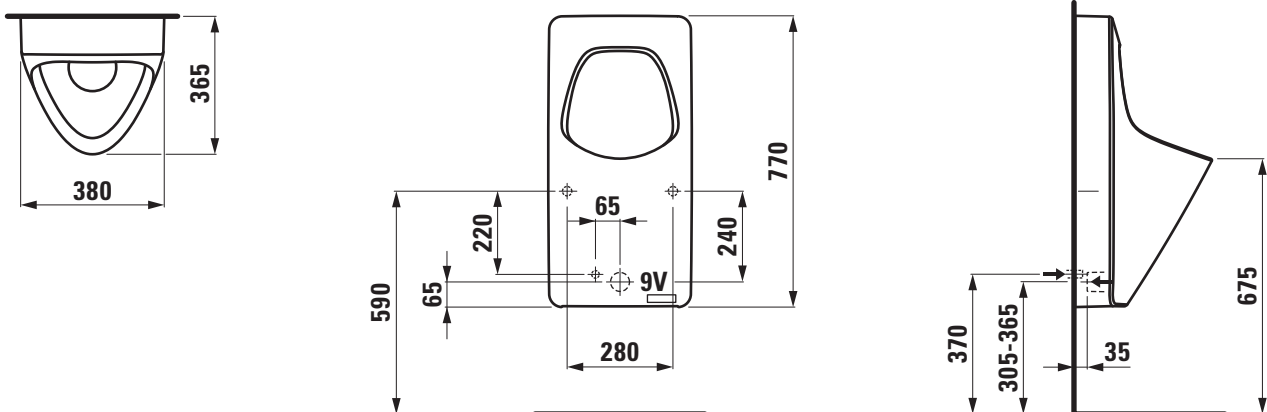
Siphonic urinal ANTERO 84115.0



TECHNICAL DATA

Order no.	84115.0	Mounting acc. incl.	Charge 000 – 1-liter siphon with waste connection pipe DN 40 Charge 401 – 1-liter siphon with waste connection pipe DN 50
Certified to	EN 80, EN 13407, EN 15901	Mounting acc. excl.	1-liter spare part siphon, order no. 89313.6 Adaption set for stone screws M10, order no. 89281.6 Adaption set for stone screws M12, order no. 89281.4
matching for	LIS CU3 Concealed frame for urinal with integrated control, order no. 89266.5	Colours	see colour table
Specification	1-l flushing electronic controlled siphonic urinal HF Electronic control for battery (6x AA 1,5 V) pre-assembled Ceramic siphon cover Siphon replaceable from top without dismantling urinal 1-l flushing automatic adjusted independent of rupply pressure Lid under urinal Waste piping cleaning without dismantling urinal Only in combination with fixing set, order no. 89282.6 Charge 000 – DN 40 Charge 401 – DN 50	SPECIFICATION TEXT	Siphonic urinal Laufen-ANTERO, sanitary ceramic electronic controlled EN 80, EN 13407, EN 15901, dimensions 380 x 365 x 770 mm min. 0.5 l - 3.0 l flushing automatic adjusted independent of rupply pressure, ceramic siphon cover, water inlet concealed 1/2", outlet horizontal (variable 60 mm), flushing rate minimum 0.3 l/s HF electronic control for battery (6x AA 1,5 V) pre-assembled, siphon replaceable from top without dismantling urinal, lid under urinal, waste piping cleaning without dismantling urinal Special feature: Vacuum and performance tested, 1-litre siphon, waste connection pipe DN 50 (standard Europe, except CH and UK) and pipe DN 40 (standard CH) Further options / accessories: 1-liter spare part siphon, LIS CU3 concealed frame for urinal with integrated control Order no. 84115.0
Water inlet	concealed, 1/2"		
Outlet	horizontal (variable 60 mm)		
Flushing	minimum 0.5 l - 3.0 l		
Flushing rate	minimum 0.3 l/s		
Weight	25,0 kg		
Mounting acc. incl.	Electronic control pre-assembled Ceramic siphon cover, order no. 89213.0 laufen EasyFit system M8, order no. 89282.6		

TECHNICAL DRAWINGS / S 1 : 20



**Siphonic urinal
ANTERO
84115.2**



TECHNICAL DATA

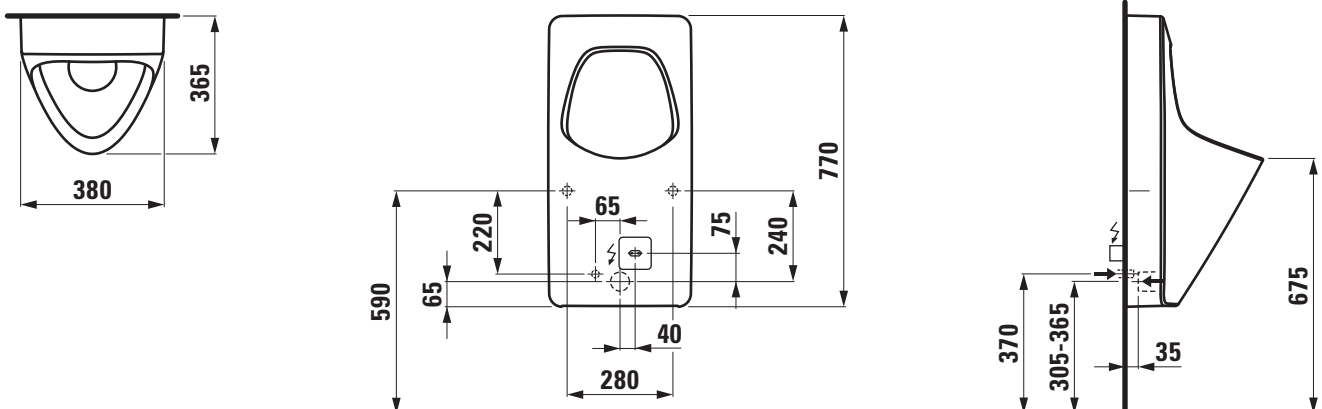
Order no.	84115.2 Charge 000 (DN 40) / Charge 401 (DN 50)
Certified to	EN 80, EN 13407, EN 15901
matching for	LIS CU3 Concealed frame for urinal with integrated control, order no. 89266.5
Specification	1-l flushing electronic controlled siphonic urinal HF Electronic control with Bluetooth for 230 V pre-assembled Ceramic siphon cover Siphon replaceable from top without dismantling urinal 1-l flushing automatic adjusted independent of supply pressure Lid under urinal Waste piping cleaning without dismantling urinal Only in combination with fixing set, order no. 89282.6 Charge 000 – DN 40 Charge 401 – DN 50
Water inlet	concealed, 1/2"
Outlet	horizontal (variable 60 mm)
Flushing	minimum 0.5 l - 3.0 l
Flushing rate	minimum 0.3 l/s
Weight	25,0 kg
Mounting acc. incl.	Electronic control 230 V pre-assembled Ceramic siphon cover, order no. 89213.0 laufen EasyFit system M8, order no. 89282.6

Mounting acc. incl.	Charge 000 – 1-liter siphon with waste connection pipe DN 40 Charge 401 – 1-liter siphon with waste connection pipe DN 50
Mounting acc. excl.	1-liter spare part siphon, order no. 89313.6 Adaption set for stone screws M10, order no. 89281.6 Adaption set for stone screws M12, order no. 89281.4 USB Adapter module, order no. 89013.0 GLT Adapter module, order no. 89013.1 Bluetooth Adapter module, order no. 89113.2
Colours	see colour table

SPECIFICATION TEXT

Siphonic urinal Laufen-ANTERO, sanitary ceramic, electronic controlled with Bluetooth
EN 80, EN 13407, EN 15901, dimensions 380 x 365 x 770 mm
min. 0.5 l - 3.0 l flushing automatic adjusted independent of supply pressure, ceramic siphon cover, water inlet concealed 1/2", outlet horizontal (variable 60 mm), flushing rate minimum 0.3 l/s, HF electronic control 230 V pre-assembled, siphon replaceable from top without dismantling urinal, lid under urinal, waste piping cleaning without dismantling urinal
Special feature: Vacuum and performance tested, 1-litre siphon, waste connection pipe DN 50 (standard Europe, except CH and UK) and pipe DN 40 (standard CH)
Further options / accessories: 1-liter spare part siphon, LIS CU3 concealed frame for urinal with integrated control
Order no. 84115.2

TECHNICAL DRAWINGS / S 1 : 20



URINALS

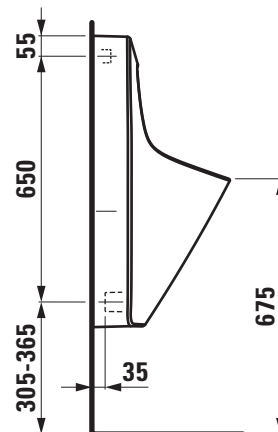
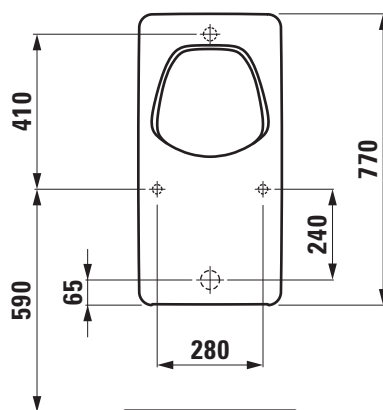
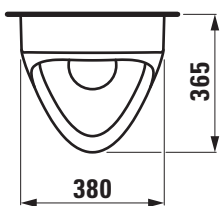
Siphonic urinal ANTERO 84115.3



TECHNICAL DATA

Order no.	84115.3	Mounting acc. excl.	LIS CU2 horizontal inlet connection, order no. 89009.7
Certified to	EN 80, EN 13407		LIS SMART CONTROL-U horizontal inlet connection, order no. 89418.9
matching for	LIS CU2 Concealed frame for urinal without integrated control, order no. 89266.4 LIS SMART CONTROL-U, order no. 37066.0		1-liter spare part siphon, order no. 89313.6 Adaption set for stone screws M10, order no. 89281.6 Adaption set for stone screws M12, order no. 89281.4
Specification	1-l flushing siphonic urinal Ceramic siphon cover Siphon replaceable from top without dismantling urinal Only in combination with fixing set, order no. 89282.6 Charge 000 – DN 40 Charge 401 – DN 50	Colours	see colour table
Water inlet	concealed 1/2"	SPECIFICATION TEXT	
Outlet	horizontal (variable 60 mm)	Siphonic urinal Laufen-ANTERO, sanitary ceramic EN 80, EN 13407, dimensions 380 x 365 x 770 mm minimum 0.5 l - 3.0 l flush, ceramic siphon cover, water inlet concealed 1/2", outlet horizontal (variable 60 mm), flushing rate minimum 0.3 l/s siphon replaceable from top without dismantling urinal, Special feature: Vacuum and performance tested, 1-litre siphon, waste connection pipe DN 50 (standard Europe, except CH and UK) and pipe DN 40 (standard CH)	
Flushing	minimum 0.5 l - 3.0 l	Further options / accessories: LIS horizontal inlet connection, 1-liter spare part siphon, LIS CU2 concealed frame for urinal without integrated control or LIS SMART CONTROL-U concealed kit for urinal flash control and front plate with infrared sensor	
Flushing rate	minimum 0.3 l/s	Order no. 84115.3	
Weight	25,0 kg		
Mounting acc. incl.	Ceramic siphon cover, order no. 89213.0 laufen EasyFit system M8, order no. 89282.6 Charge 000 – 1-liter siphon with waste connection pipe DN 40 Charge 401 – 1-liter siphon with waste connection pipe DN 50		

TECHNICAL DRAWINGS / S 1 : 20



URINALS

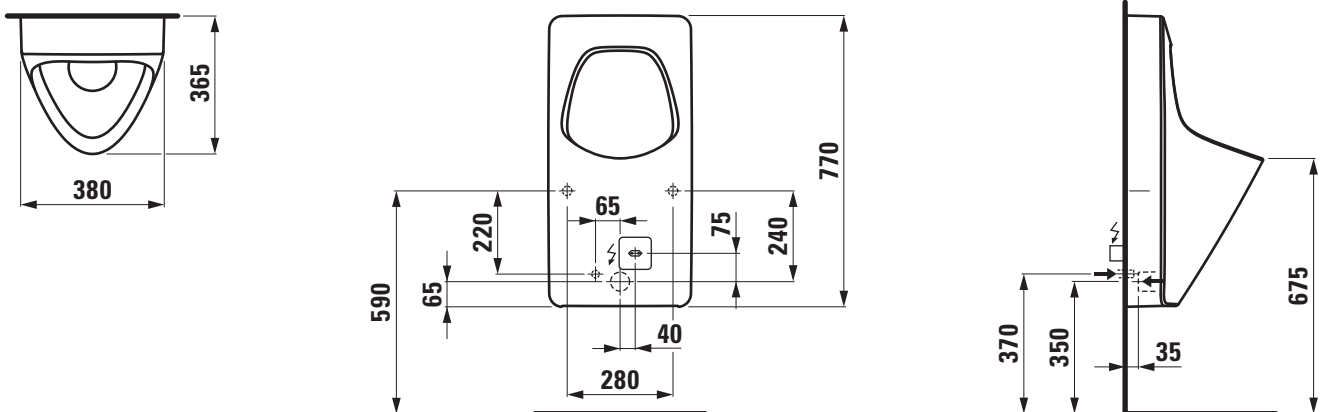
Siphonic urinal ANTERO 84015.5



TECHNICAL DATA

Order no.	84015.5 Charge 000 (DN 40) / Charge 401 (DN 50)	Mounting acc. incl.	1-liter siphon, order no. 89313.4 Charge 000 – waste connection pipe DN 40, order no. 89419.4 Charge 401 – waste connection pipe DN 50, order no. 89419.5
Certified to	EN 80, EN 13407, EN 15901	Mounting acc. excl.	1-liter spare part siphon, order no. 89313.4 Adaption set for stone screws M10, order no. 89281.6 Adaption set for stone screws M12, order no. 89281.4
matching for	LIS CU3 Concealed frame for urinal with integrated control, order no. 89266.5	Colours	see colour table
Specification	1-l flushing electronic controlled siphonic urinal HF Electronic control for 230 V pre-assembled with GLT Adapter module Ceramic siphon cover Siphon replaceable without dismantling urinal 1-l flushing automatic adjusted independent of supply pressure Lid under urinal Waste piping cleaning without dismantling urinal Only in combination with fixing set, order no. 89282.6 Charge 000 – DN 40 Charge 401 – DN 50	SPECIFICATION TEXT	Siphonic urinal Laufen-ANTERO, sanitary ceramic, electronic controlled, with GLT Adapter module, EN 80, EN 13407, EN 15901 dimensions 380 x 365 x 770 mm min. 0.5 l - 3.0 l flushing automatic adjusted independent of supply pressure, ceramic siphon cover, water inlet concealed 1/2", outlet horizontal, flushing rate minimum 0.3 l/s, HF electronic control 230 V pre-assembled, siphon replaceable without dismantling urinal, lid under urinal, waste piping cleaning without dismantling urinal Special feature: Vacuum and performance tested, 1-litre siphon, waste connection pipe DN 50 (standard Europe, except CH and UK) and pipe DN 40 (standard CH) Further options / accessories: 1-liter spare part siphon, LIS CU3 concealed frame for urinal with integrated control Order no. 84015.5
Water inlet	concealed, 1/2"		
Outlet	horizontal		
Flushing	minimum 0.5 l - 3.0 l		
Flushing rate	minimum 0.3 l/s		
Weight	25,0 kg		
Mounting acc. incl.	Electronic control 230 V pre-assembled Ceramic siphon cover, order no. 89818.9 laufen EasyFit system M8, order no. 89282.6		

TECHNICAL DRAWINGS / S 1 : 20



URINALS

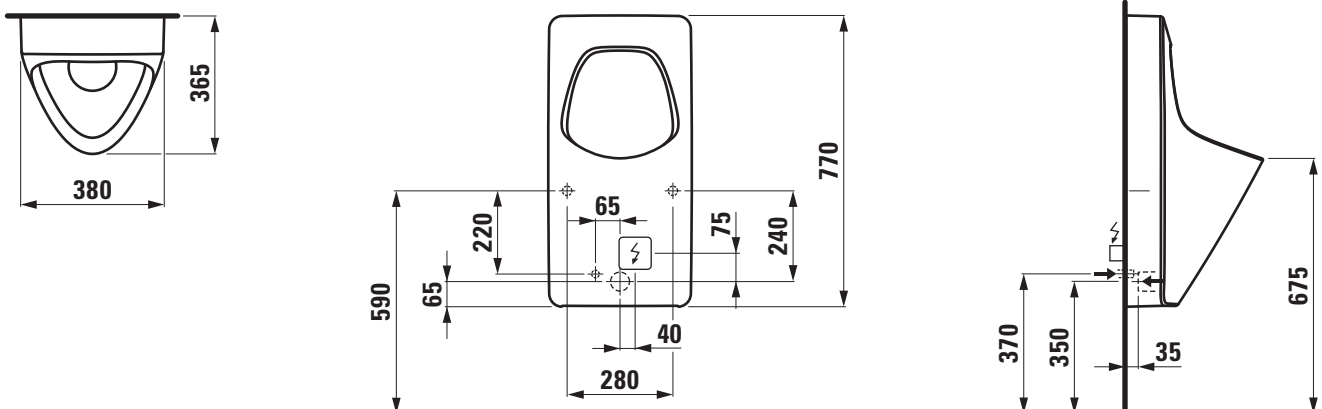
Siphonic urinal ANTERO 84015.4



TECHNICAL DATA

Order no.	84015.4	Mounting acc. incl.	Charge 000 – waste connection pipe DN 40, order no. 89419.4
	Charge 000 (DN 40) / Charge 401 (DN 50)		Charge 401 – waste connection pipe DN 50, order no. 89419.5
Certified to	EN 80, EN 13407, EN 15901	Mounting acc. excl.	1-liter spare part siphon, order no. 89313.4
matching for	LIS CU3 Concealed frame for urinal with integrated control, order no. 89266.5		Adaption set for stone screws M10, order no. 89281.6
Specification	1-l flushing electronic controlled siphonic urinal HF Electronic control for 230 V pre-assembled Concealed power supply Ceramic siphon cover Siphon replaceable without dismantling urinal 1-l flushing automatic adjusted independent of supply pressure Lid under urinal Waste piping cleaning without dismantling urinal Only in combination with fixing set, order no. 89282.6 Charge 000 – DN 40 Charge 401 – DN 50		Adaption set for stone screws M12, order no. 89281.4 Bluetooth Adapter module, order no. 89113.2
Water inlet	concealed, 1/2"	Colours	see colour table
Outlet	horizontal	SPECIFICATION TEXT	
Flushing	minimum 0.5 l - 3.0 l	Siphonic urinal Laufen-ANTERO, sanitary ceramic, electronic controlled, EN 80, EN 13407, EN 15901, dimensions 380 x 365 x 770 mm	
Flushing rate	minimum 0.3 l/s	min. 0.5 l - 3.0 l flushing automatic adjusted independent of supply pressure, ceramic siphon cover, water inlet concealed 1/2", outlet horizontal, flushing rate minimum 0.3 l/s, HF electronic control 230 V pre-assembled, concealed power supply, siphon replaceable without dismantling urinal, lid under urinal, waste piping cleaning without dismantling urinal	
Weight	25,0 kg	Special feature: Vacuum and performance tested, 1-litre siphon, waste connection pipe DN 50 (standard Europe, except CH and UK) and pipe DN 40 (standard CH)	
Mounting acc. incl.	Electronic control 230 V pre-assembled Ceramic siphon cover, order no. 89818.9 laufen EasyFit system M8, order no. 89282.6 1-liter siphon, order no. 89313.4	Further options / accessories: 1-liter spare part siphon, LIS CU3 concealed frame for urinal with integrated control Order no. 84015.4	

TECHNICAL DRAWINGS / S 1 : 20



URINALS

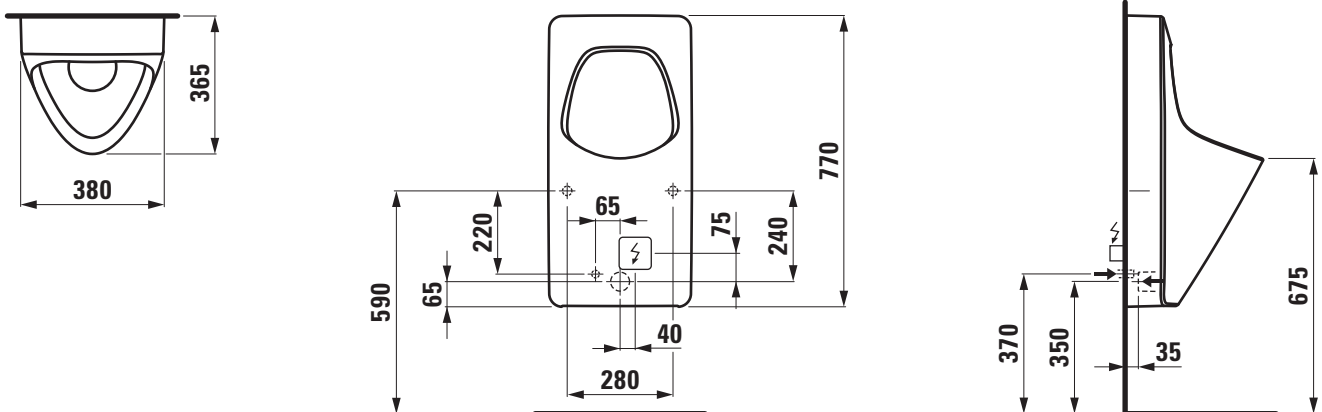
Siphonic urinal ANTERO 84015.6



TECHNICAL DATA

Order no.	84015.6 Charge 000 (DN 40) / Charge 401 (DN 50)	Mounting acc. incl.	1-liter siphon, order no. 89313.4 Charge 000 – waste connection pipe DN 40, order no. 89419.4 Charge 401 – waste connection pipe DN 50, order no. 89419.5 GLT Adapter module, order no. 89013.1
Certified to	EN 80, EN 13407, EN 15901	Mounting acc. excl.	1-liter spare part siphon, order no. 89313.4 Adaption set for stone screws M10, order no. 89281.6 Adaption set for stone screws M12, order no. 89281.4
matching for	LIS CU3 Concealed frame for urinal with integrated control, order no. 89266.5	Colours	see colour table
Specification	1-l flushing electronic controlled siphonic urinal HF Electronic control for 230 V pre-assembled with GLT Adapter module Concealed power supply Ceramic siphon cover Siphon replaceable without dismantling urinal 1-l flushing automatic adjusted independent of supply pressure Lid under urinal Waste piping cleaning without dismantling urinal Only in combination with fixing set, order no. 89282.6 Charge 000 – DN 40 Charge 401 – DN 50	SPECIFICATION TEXT	Siphonic urinal Laufen-ANTERO, sanitary ceramic, electronic controlled, with GLT Adapter module, EN 80, EN 13407, EN 15901 dimensions 380 x 365 x 770 mm min. 0.5 l - 3.0 l flushing automatic adjusted independent of supply pressure, ceramic siphon cover, water inlet concealed 1/2", outlet horizontal, flushing rate minimum 0.3 l/s, HF electronic control 230 V pre-assembled, concealed power supply, siphon replaceable without dismantling urinal, lid under urinal, waste piping cleaning without dismantling urinal Special feature: Vacuum and performance tested, 1-litre siphon, waste connection pipe DN 50 (standard Europe, except CH and UK) and pipe DN 40 (standard CH) Further options / accessories: 1-liter spare part siphon, LIS CU3 concealed frame for urinal with integrated control Order no. 84015.6
Water inlet	concealed, 1/2"		
Outlet	horizontal		
Flushing	minimum 0.5 l - 3.0 l		
Flushing rate	minimum 0.3 l/s		
Weight	25,0 kg		
Mounting acc. incl.	Electronic control 230 V pre-assembled Ceramic siphon cover, order no. 89818.9 laufen EasyFit system M8, order no. 89282.6		

TECHNICAL DRAWINGS / S 1 : 20



URINALS

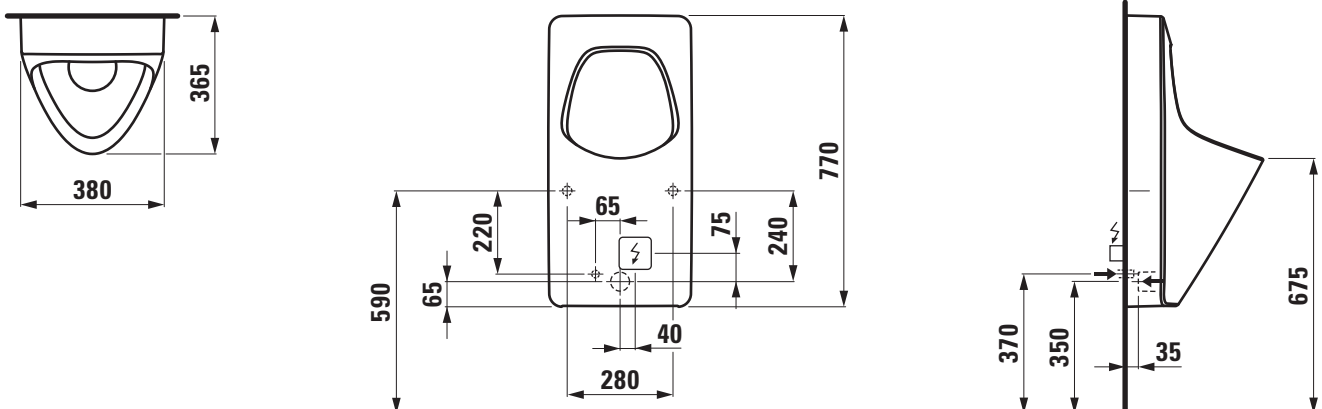
Siphonic urinal ANTERO 84015.9



TECHNICAL DATA

Order no.	84015.9 Charge 000 (DN 40) / Charge 401 (DN 50)	Mounting acc. incl.	1-liter siphon, order no. 89313.4 Charge 000 – waste connection pipe DN 40, order no. 89419.4 Charge 401 – waste connection pipe DN 50, order no. 89419.5 Bluetooth Adapter module, order no. 89113.2
Certified to	EN 80, EN 13407, EN 15901	Mounting acc. excl.	1-liter spare part siphon, order no. 89313.4 Adaption set for stone screws M10, order no. 89281.6 Adaption set for stone screws M12, order no. 89281.4
matching for	LIS CU3 Concealed frame for urinal with integrated control, order no. 89266.5	Colours	see colour table
Specification	1-l flushing electronic controlled siphonic urinal HF Electronic control for 230 V pre-assembled with Bluetooth Adapter module Concealed power supply Ceramic siphon cover Siphon replaceable without dismantling urinal 1-l flushing automatic adjusted independent of supply pressure Lid under urinal Waste piping cleaning without dismantling urinal Only in combination with fixing set, order no. 89282.6 Charge 000 – DN 40 Charge 401 – DN 50	SPECIFICATION TEXT	Siphonic urinal Laufen-ANTERO, sanitary ceramic, electronic controlled, with Bluetooth Adapter module, EN 80, EN 13407, EN 15901 dimensions 380 x 365 x 770 mm min. 0.5 l - 3.0 l flushing automatic adjusted independent of supply pressure, ceramic siphon cover, water inlet concealed 1/2", outlet horizontal, flushing rate minimum 0.3 l/s, HF electronic control 230 V pre-assembled, concealed power supply, siphon replaceable without dismantling urinal, lid under urinal, waste piping cleaning without dismantling urinal Special feature: Vacuum and performance tested, 1-litre siphon, waste connection pipe DN 50 (standard Europe, except CH and UK) and pipe DN 40 (standard CH) Further options / accessories: 1-liter spare part siphon, LIS CU3 concealed frame for urinal with integrated control Order no. 84015.9
Water inlet	concealed, 1/2"		
Outlet	horizontal		
Flushing	minimum 0.5 l - 3.0 l		
Flushing rate	minimum 0.3 l/s		
Weight	25,0 kg		
Mounting acc. incl.	Electronic control 230 V pre-assembled Ceramic siphon cover, order no. 89818.9 laufen EasyFit system M8, order no. 89282.6		

TECHNICAL DRAWINGS / S 1 : 20



**Siphonic urinal rimless
LEMA
84119.0**



TECHNICAL DATA

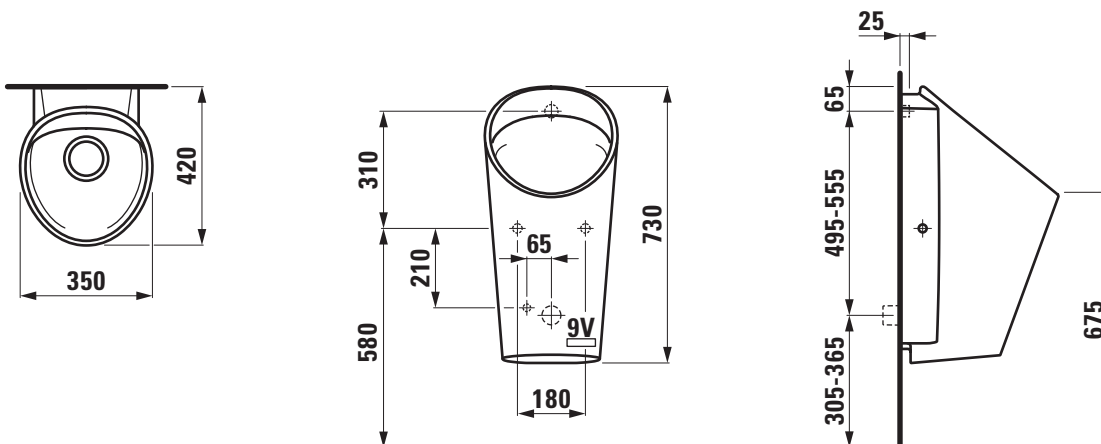
Order no.	84119.0 Charge 000 (DN 40) / Charge 401 (DN 50)
Certified to	EN 80, EN 13407, EN 15901
matching for	LIS CU3 Concealed frame for urinal with integrated control, order no. 89266.5
Specification	Rimless 1-l flushing electronic controlled siphonic urinal HF Electronic control with Bluetooth for battery (6x AA 1,5 V) pre-assembled Ceramic siphon cover Siphon replaceable without dismantling urinal 1-l flushing automatic adjusted independent of rupply pressure Service cap for easy service, no tools needed Waste piping cleaning without dismantling urinal Only in combination with fixing set, order no. 89280.8 Charge 000 – DN 40 Charge 401 – DN 50
Water inlet	concealed, 1/2", 2-6 bar
Outlet	horizontal (variable 60 mm)
Flushing	minimum 0.5 l - 3.0 l
Flushing rate	minimum 0.3 l/s, maximum 0.6 l/s
Weight	24,5 kg
Mounting acc. incl.	Electronic control pre-assembled Ceramic siphon cover, order no. 89213.0 Wall fixing set M8 LAUFEN, order no. 89280.8

Mounting acc. incl.	Charge 000 – 1-liter siphon with waste connection pipe DN 40 Charge 401 – 1-liter siphon with waste connection pipe DN 50
Mounting acc. excl.	1-liter spare part siphon, order no. 89313.6 Stone screw fixing set M8 Adaption set for stone screws M10, order no. 89281.6 Adaption set for stone screws M12, order no. 89281.4
Colours	see colour table

SPECIFICATION TEXT

Siphonic urinal rimless Laufen-LEMA, sanitary ceramic electronic controlled with Bluetooth
EN 80, EN 13407, EN 15901, dimensions 350 x 420 x 730 mm
min. 0.5 l - 3.0 l flushing automatic adjusted independent of rupply pressure, ceramic siphon cover, water inlet concealed 1/2", outlet horizontal (variable 60 mm), flushing rate minimum 0.3 l/s, maximum 0.6 l/s
HF electronic control for battery (6x AA 1,5 V) pre-assembled, siphon replaceable without dismantling urinal, service cap for easy service (no tools needed), waste piping cleaning without dismantling urinal
Special feature: Vacuum and performance tested, 1-litre siphon, waste connection pipe DN 50 (standard Europe, except CH and UK) and pipe DN 40 (standard CH)
Further options / accessories: 1-liter spare part siphon, LIS CU3 concealed frame for urinal with integrated control
Order no. 84119.0

TECHNICAL DRAWINGS / S 1 : 20



**Siphonic urinal rimless
LEMA
84119.2**



TECHNICAL DATA

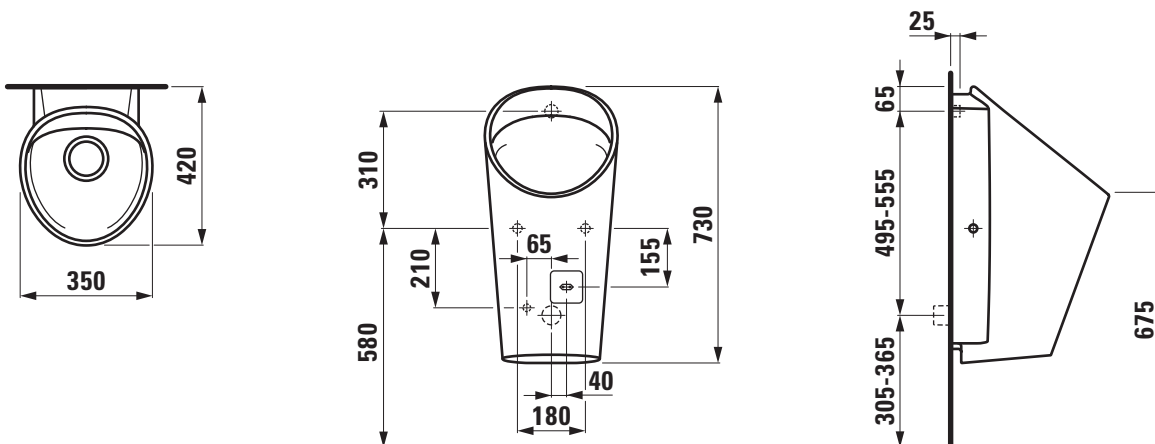
Order no.	84119.2 Charge 000 (DN 40) / Charge 401 (DN 50)
Certified to	EN 80, EN 13407, EN 15901
matching for	LIS CU3 Concealed frame for urinal with integrated control, order no. 89266.5
Specification	Rimless 1-l flushing electronic controlled siphonic urinal HF Electronic control with Bluetooth for 230 V pre-assembled Ceramic siphon cover Siphon replaceable from top without dismantling urinal 1-l flushing automatic adjusted independent of rupply pressure Service cap for easy service, no tools needed Waste piping cleaning without dismantling urinal Only in combination with fixing set, order no. 89280.8 Charge 000 – DN 40 Charge 401 – DN 50
Water inlet	concealed, 1/2", 2-6 bar
Outlet	horizontal (variable 60 mm)
Flushing	minimum 0.5 l - 3.0 l
Flushing rate	minimum 0.3 l/s, maximum 0.6 l/s
Weight	24,5 kg
Mounting acc. incl.	Electronic control 230 V pre-assembled Ceramic siphon cover, order no. 89213.0 Wall fixing set M8 LAUFEN, order no. 89280.8

Mounting acc. incl.	Charge 000 – 1-liter siphon with waste connection pipe DN 40 Charge 401 – 1-liter siphon with waste connection pipe DN 50
Mounting acc. excl.	1-liter spare part siphon, order no. 89313.6 Stone screw fixing set M8 Adaption set for stone screws M10, order no. 89281.6 Adaption set for stone screws M12, order no. 89281.4
Colours	see colour table

SPECIFICATION TEXT

Siphonic urinal rimless Laufen-LEMA, sanitary ceramic electronic controlled with Bluetooth
EN 80, EN 13407, EN 15901, dimensions 350 x 420 x 730 mm
min. 0.5 l - 3.0 l flushing automatic adjusted independent of rupply pressure, ceramic siphon cover, water inlet concealed 1/2", outlet horizontal (variable 60 mm), flushing rate minimum 0.3 l/s, maximum 0.6 l/s, HF electronic control 230 V pre-assembled, siphon replaceable from top without dismantling urinal, service cap for easy service (no tools needed), waste piping cleaning without dismantling urinal
Special feature: Vacuum and performance tested, 1-litre siphon, waste connection pipe DN 50 (standard Europe, except CH and UK) and pipe DN 40 (standard CH)
Further options / accessories: 1-liter spare part siphon, LIS CU3 concealed frame for urinal with integrated control
Order no. 84119.2

TECHNICAL DRAWINGS / S 1 : 20



Siphonic urinal rimless LEMA 84119.3



TECHNICAL DATA

Order no.	84119.3 Charge 000 (DN 40) / Charge 401 (DN 50)
Certified to	EN 80, EN 13407
matching for	LIS CU2 Concealed frame for urinal without integrated control, order no. 89266.4 LIS SMART CONTROL-U, order no. 37066.0
Specification	Rimless 1-l flushing siphonic urinal Ceramic siphon cover Siphon replaceable from top without dismantling urinal Only in combination with fixing set, order no. 89280.8 Charge 000 – DN 40 Charge 401 – DN 50
Water inlet	concealed 1/2"
Outlet	horizontal (variable 60 mm)
Flushing	minimum 0.5 l - 3.0 l
Flushing rate	minimum 0.3 l/s
Weight	24,5 kg
Mounting acc. incl.	Ceramic siphon cover, order no. 89213.0 Wall fixing set M8 LAUFEN, order no. 89280.8 Charge 000 – 1-liter siphon with waste connection pipe DN 40 Charge 401 – 1-liter siphon with waste connection pipe DN 50

Mounting acc. excl.	LIS CU2 horizontal inlet connection, order no. 89009.7 1-liter spare part siphon, order no. 89313.6 Stone screw fixing set M8 Adaption set for stone screws M10, order no. 89281.6 Adaption set for stone screws M12, order no. 89281.4
Colours	see colour table

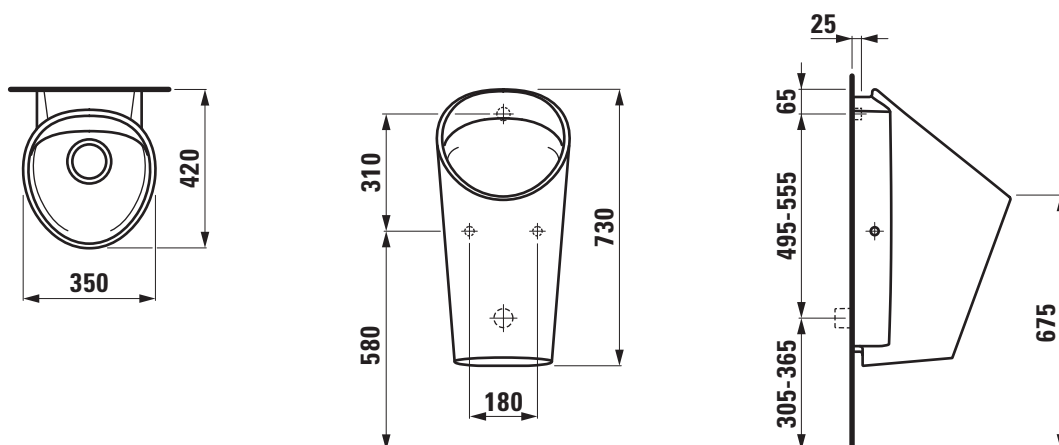
SPECIFICATION TEXT

Siphonic urinal rimless Laufen-LEMA, sanitary ceramic EN 80, EN 13407, dimensions 350 x 420 x 730 mm minimum 0.5 l - 3.0 l flush, ceramic siphon cover, water inlet concealed 1/2", outlet horizontal (variable 60 mm), flushing rate minimum 0.3 l/s siphon replaceable from top without dismantling urinal, Special feature: Vacuum and performance tested, 1-litre siphon, waste connection pipe DN 50 (standard Europe, except CH and UK) and pipe DN 40 (standard CH)

Further options / accessories: LIS horizontal inlet connection, 1-liter spare part siphon, LIS CU2 concealed frame for urinal without integrated control

Order no. 84119.3

TECHNICAL DRAWINGS / S 1 : 20



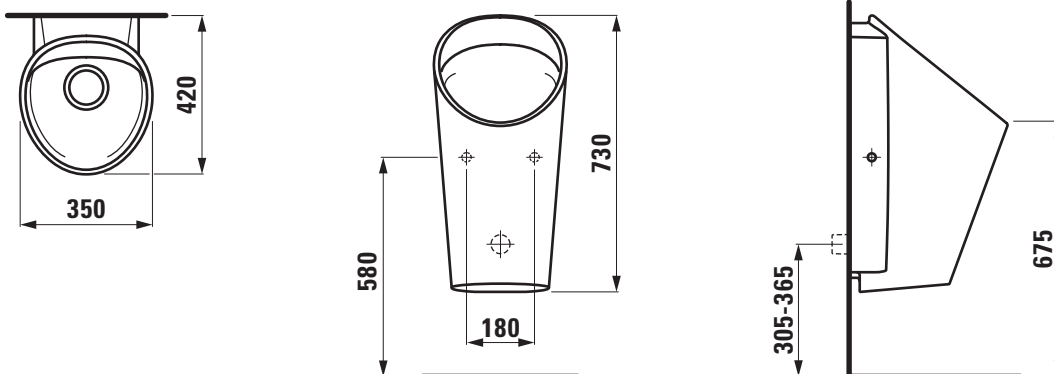
**Waterless urinal
LEMA
84319.7**



TECHNICAL DATA

Order no.	84319.7 Charge 000 (DN 40) / Charge 401 (DN 50)	Mounting acc. excl.	Hybrid-siphon spare part siphon, order no. 89313.7 Stone screw fixing set M8 Adaption set for stone screws M10, order no. 89281.6 Adaption set for stone screws M12, order no. 89281.4
Certified to	EN 13407	Colours	see colour table
matching for	LIS CU3 Concealed frame for waterless urinal, order no. 89266.5	SPECIFICATION TEXT	
Specification	Waterless No chemical needed No electricity needed No mechanical parts Ceramic siphon cover Siphon replaceable from top without dismantling urinal Odour stone included in siphon Only in combination with fixing set, order no. 89280.8 Charge 000 – DN 40 Charge 401 – DN 50	Waterless urinal Laufen-LEMA, sanitary ceramic EN 13407, dimensions 350 x 420 x 730 mm ceramic siphon cover, outlet horizontal (variable 60 mm) no chemical and electricity needed, no mechanical parts, siphon replaceable from top without dismantling urinal, odour stone included in siphon Special feature: Vacuum and performance tested, 0-litre hybrid-siphon, waste connection pipe DN 50 (standard Europe, except CH and UK) and pipe DN 40 (standard CH) Further options / accessories: Hybrid-siphon spare part siphon, LIS CU3 concealed frame for waterless urinal Order no. 84319.7	
Outlet	horizontal (variable 60 mm)		
Weight	23,5 kg		
Mounting acc. incl.	Ceramic hybrid-siphon cover, order no. 89213.0 Wall fixing set M8 LAUFEN, order no. 89280.8 0-liter hybrid-siphon Charge 000 – hybrid-siphon with waste connection pipe DN 40 Charge 401 – hybrid-siphon with waste connection pipe DN 50		

TECHNICAL DRAWINGS / S 1 : 20



URINALS

Siphonic urinal LEMA 84019.4



TECHNICAL DATA

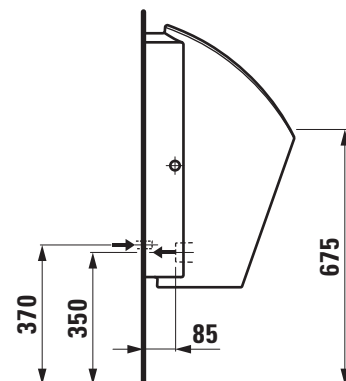
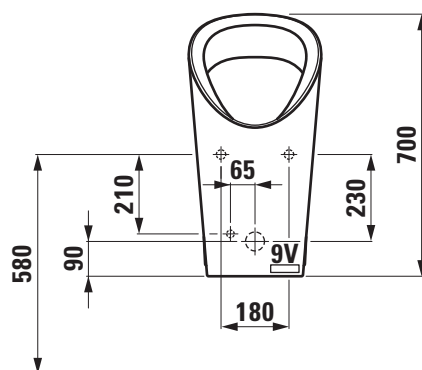
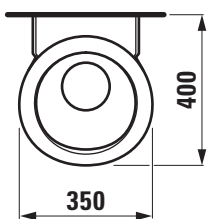
Order no.	84019.4 Charge 000 (DN 40) / Charge 401 (DN 50)
Certified to	EN 80, EN 13407, EN 15901
matching for	LIS CU3 Concealed frame for urinal with integrated control, order no. 89266.5
Specification	1-l flushing electronic controlled siphonic urinal HF Electronic control for battery (6x AA 1,5 V) pre-assembled Ceramic siphon cover Siphon replaceable without dismantling urinal 1-l flushing automatic adjusted independent of supply pressure Lid under urinal Waste piping cleaning without dismantling urinal Only in combination with fixing set, order no. 89280.8 Charge 000 – DN 40 Charge 401 – DN 50
Water inlet	concealed, 1/2"
Outlet	horizontal
Flushing	minimum 0.5 l - 3.0 l
Flushing rate	minimum 0.3 l/s
Weight	24,5 kg
Mounting acc. incl.	Electronic control pre-assembled Ceramic siphon cover, order no. 89818.9 Wall fixing set M8 LAUFEN, order no. 89280.8

Mounting acc. incl.	1-liter siphon, order no. 89313.4 Charge 000 – waste connection pipe DN 40, order no. 89419.4 Charge 401 – waste connection pipe DN 50, order no. 89419.5
Mounting acc. excl.	1-liter spare part siphon, order no. 89313.4 Stone screw fixing set M8 Adaption set for stone screws M10, order no. 89281.6 Adaption set for stone screws M12, order no. 89281.4 USB Adapter module, order no. 89013.0
Colours	see colour table

SPECIFICATION TEXT

Siphonic urinal Laufen-LEMA, sanitary ceramic, electronic controlled, EN 80, EN 13407, EN 15901, dimensions 350 x 400 x 700 mm min. 0.5 l - 3.0 l flushing automatic adjusted independent of supply pressure, ceramic siphon cover, water inlet concealed 1/2", outlet horizontal, flushing rate minimum 0.3 l/s HF electronic control for battery (6x AA 1,5 V) pre-assembled, siphon replaceable without dismantling urinal, lid under urinal, waste piping cleaning without dismantling urinal
Special feature: Vacuum and performance tested, 1-litre siphon, waste connection pipe DN 50 (standard Europe, except CH and UK) and pipe DN 40 (standard CH)
Further options / accessories: 1-liter spare part siphon, LIS CU3 concealed frame for urinal with integrated control
Order no. 84019.4

TECHNICAL DRAWINGS / S 1 : 20



URINALS

Siphonic urinal LEMA 84019.6



TECHNICAL DATA

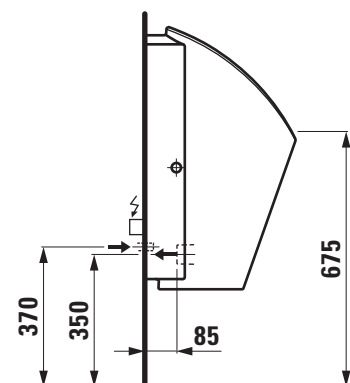
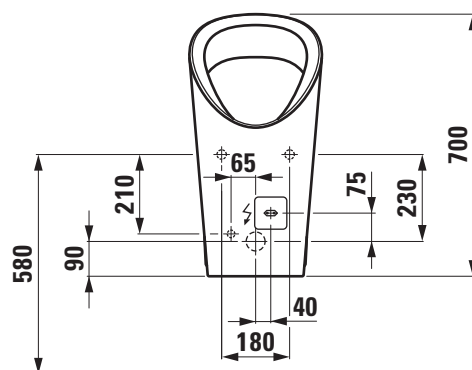
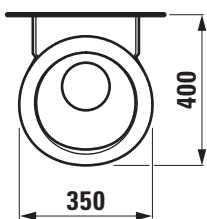
Order no.	84019.6 Charge 000 (DN 40) / Charge 401 (DN 50)
Certified to	EN 80, EN 13407, EN 15901
matching for	LIS CU3 Concealed frame for urinal with integrated control, order no. 89266.5
Specification	1-l flushing electronic controlled siphonic urinal HF Electronic control for 230 V pre-assembled Ceramic siphon cover Siphon replaceable without dismantling urinal 1-l flushing automatic adjusted independent of supply pressure Lid under urinal Waste piping cleaning without dismantling urinal Only in combination with fixing set, order no. 89280.8 Charge 000 – DN 40 Charge 401 – DN 50
Water inlet	concealed, 1/2"
Outlet	horizontal
Flushing	minimum 0.5 l - 3.0 l
Flushing rate	minimum 0.3 l/s
Weight	24,5 kg
Mounting acc. incl.	Electronic control 230 V pre-assembled Ceramic siphon cover, order no. 89818.9 Wall fixing set M8 LAUFEN, order no. 89280.8 1-liter siphon, order no. 89313.4

Mounting acc. incl.	Charge 000 – waste connection pipe DN 40, order no. 89419.4 Charge 401 – waste connection pipe DN 50, order no. 89419.5
Mounting acc. excl.	1-liter spare part siphon, order no. 89313.4 Stone screw fixing set M8 Adaption set for stone screws M10, order no. 89281.6 Adaption set for stone screws M12, order no. 89281.4 USB Adapter module, order no. 89013.0 GLT Adapter module, order no. 89013.1 Bluetooth Adapter module, order no. 89113.2
Colours	see colour table

SPECIFICATION TEXT

Siphonic urinal Laufen-LEMA, sanitary ceramic, electronic control, EN 80, EN 13407, EN 15901, dimensions 350 x 400 x 700 mm min. 0.5 l - 3.0 l flushing automatic adjusted independent of supply pressure, ceramic siphon cover, water inlet concealed 1/2", outlet horizontal, flushing rate minimum 0.3 l/s, HF electronic control 230 V pre-assembled, siphon replaceable without dismantling urinal, lid under urinal, waste piping cleaning without dismantling urinal
Special feature: Vacuum and performance tested, 1-litre siphon, waste connection pipe DN 50 (standard Europe, except CH and UK) and pipe DN 40 (standard CH)
Further options / accessories: 1-liter spare part siphon, LIS CU3 concealed frame for urinal with integrated control
Order no. 84019.6

TECHNICAL DRAWINGS / S 1 : 20



Siphonic urinal
LEMA
84019.9



TECHNICAL DATA

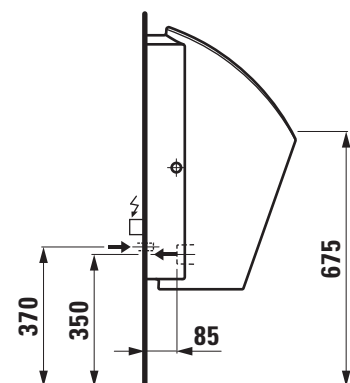
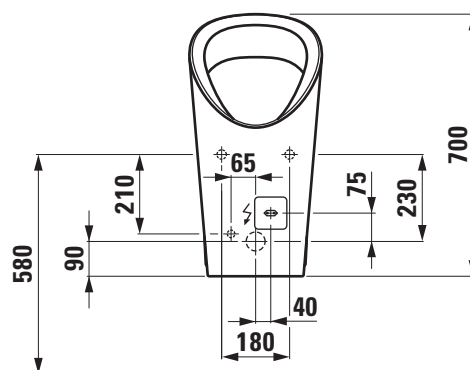
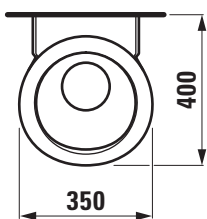
Order no.	84019.9 Charge 000 (DN 40) / Charge 401 (DN 50)
Certified to	EN 80, EN 13407, EN 15901
matching for	LIS CU3 Concealed frame for urinal with integrated control, order no. 89266.5
Specification	1-l flushing electronic controlled siphonic urinal HF Electronic control for 230 V pre-assembled with Bluetooth Adapter module Ceramic siphon cover Siphon replaceable without dismantling urinal 1-l flushing automatic adjusted independent of supply pressure Lid under urinal Waste piping cleaning without dismantling urinal Only in combination with fixing set, order no. 89280.8 Charge 000 – DN 40 Charge 401 – DN 50
Water inlet	concealed, 1/2"
Outlet	horizontal
Flushing	minimum 0.5 l - 3.0 l
Flushing rate	minimum 0.3 l/s
Weight	24,5 kg
Mounting acc. incl.	Electronic control 230 V pre-assembled Bluetooth Adapter module, order no. 89113.2 Ceramic siphon cover, order no. 89818.9 Wall fixing set M8 LAUFEN, order no. 89280.8

Mounting acc. incl.	1-liter siphon, order no. 89313.4 Charge 000 – waste connection pipe DN 40, order no. 89419.4 Charge 401 – waste connection pipe DN 50, order no. 89419.5
Mounting acc. excl.	1-liter spare part siphon, order no. 89313.4 Stone screw fixing set M8 Adaption set for stone screws M10, order no. 89281.6 Adaption set for stone screws M12, order no. 89281.4
Colours	see colour table

SPECIFICATION TEXT

Siphonic urinal Laufen-LEMA, sanitary ceramic, electronic control, with Bluetooth Adapter module
EN 80, EN 13407, EN 15901, dimensions 350 x 400 x 700 mm
min. 0.5 l - 3.0 l flushing automatic adjusted independent of supply pressure, ceramic siphon cover, water inlet concealed 1/2", outlet horizontal, flushing rate minimum 0.3 l/s, HF electronic control 230 V pre-assembled, siphon replaceable without dismantling urinal, lid under urinal, waste piping cleaning without dismantling urinal
Special feature: Vacuum and performance tested, 1-litre siphon, waste connection pipe DN 50 (standard Europe, except CH and UK) and pipe DN 40 (standard CH)
Further options / accessories: 1-liter spare part siphon, LIS CU3 concealed frame for urinal with integrated control
Order no. 84019.9

TECHNICAL DRAWINGS / S 1 : 20



Siphonic urinal
LEMA
84019.7



TECHNICAL DATA

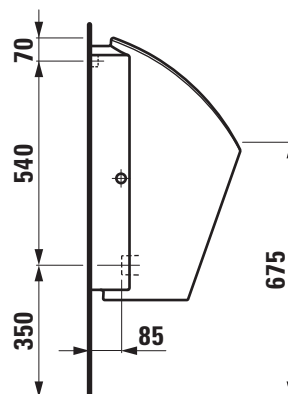
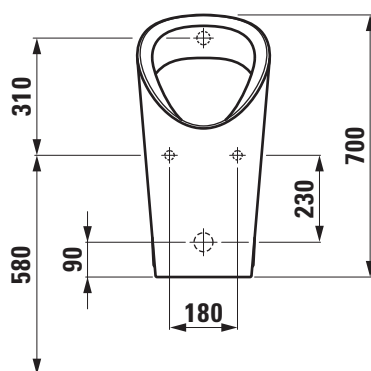
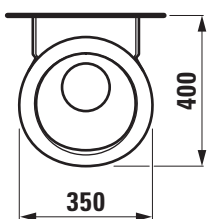
Order no.	84019.7 Charge 000 (DN 40) / Charge 401 (DN 50)
Certified to	EN 80
matching for	LIS CU2 Concealed frame for urinal without integrated control, order no. 89266.4 LIS SMART CONTROL-U, order no. 37066.0
Specification	1-l flushing siphonic urinal Ceramic siphon cover Siphon replaceable without dismantling urinal Only in combination with fixing set, order no. 89280.8 Charge 000 – DN 40 Charge 401 – DN 50
Water inlet	concealed 1/2"
Outlet	horizontal
Flushing	minimum 0.5 l - 3.0 l
Flushing rate	minimum 0.3 l/s
Weight	24,5 kg
Mounting acc. incl.	Ceramic siphon cover, order no. 89818.9 Wall fixing set M8 LAUFEN, order no. 89280.8 1-liter siphon, order no. 89313.4 Charge 000 – waste connection pipe DN 40, order no. 89419.4 Charge 401 – waste connection pipe DN 50, order no. 89419.5

Mounting acc. excl.	LIS CU2 horizontal inlet connection, order no. 89009.7 1-liter spare part siphon, order no. 89313.4 Stone screw fixing set M8 Adaption set for stone screws M10, order no. 89281.6 Adaption set for stone screws M12, order no. 89281.4
Colours	see colour table

SPECIFICATION TEXT

Siphonic urinal Laufen-LEMA, sanitary ceramic EN 80, dimensions 350 x 400 x 700 mm minimum 0.5 l - 3.0 l flush, ceramic siphon cover, water inlet concealed 1/2", outlet horizontal, flushing rate minimum 0.3 l/s siphon replaceable without dismantling urinal, Special feature: Vacuum and performance tested, 1-litre siphon, waste connection pipe DN 50 (standard Europe, except CH and UK) and pipe DN 40 (standard CH)
Further options / accessories: LIS horizontal inlet connection, 1-liter spare part siphon, LIS CU2 concealed frame for urinal without integrated control
Order no. 84019.7

TECHNICAL DRAWINGS / S 1 : 20



**Waterless urinal
LEMA
84319.5**



TECHNICAL DATA

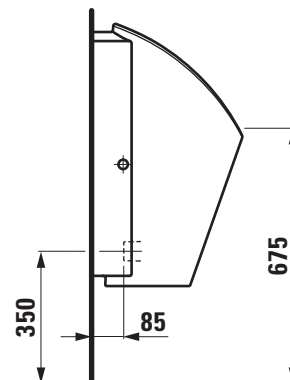
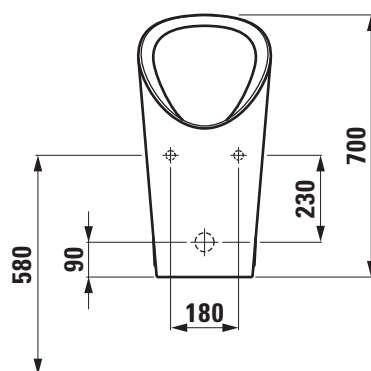
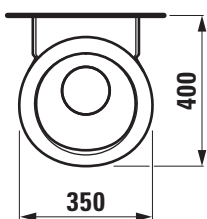
Order no.	84319.5
	Charge 000 (DN 40) / Charge 401 (DN 50)
Certified to	EN 13407
matching for	LIS CU3 Concealed frame for waterless urinal, order no. 89266.5
Specification	Waterless No chemical needed No electricity needed No mechanical parts Ceramic siphon cover Siphon replaceable without dismantling urinal Odour stone included in siphon Only in combination with fixing set, order no. 89280.8 Charge 000 – DN 40 Charge 401 – DN 50
Outlet	horizontal
Weight	23,5 kg
Mounting acc. incl.	Ceramic siphon cover, order no. 89818.9 Wall fixing set M8 LAUFEN, order no. 89280.8 0-liter siphon, order no. 89419.9 Charge 000 – waste connection pipe DN 40, order no. 89419.4 Charge 401 – waste connection pipe DN 50, order no. 89419.5

Mounting acc. excl.	0-liter spare part siphon, order no. 89419.7 Stone screw fixing set M8 Adaption set for stone screws M10, order no. 89281.6 Adaption set for stone screws M12, order no. 89281.4
Colours	see colour table

SPECIFICATION TEXT

Waterless urinal Laufen-LEMA, sanitary ceramic EN 13407, dimensions 350 x 400 x 700 mm ceramic siphon cover, outlet horizontal no chemical and electricity needed, no mechanical parts, siphon replaceable without dismantling urinal, odour stone included in siphon
Special feature: Vacuum and performance tested, 0-litre siphon, waste connection pipe DN 50 (standard Europe, except CH and UK) and pipe DN 40 (standard CH)
Further options / accessories: 0-liter spare part siphon, LIS CU3 concealed frame for waterless urinal
Order no. 84319.5

TECHNICAL DRAWINGS / S 1 : 20



URINALS

Siphonic urinal CAPRINO PLUS

84206.1



TECHNICAL DATA

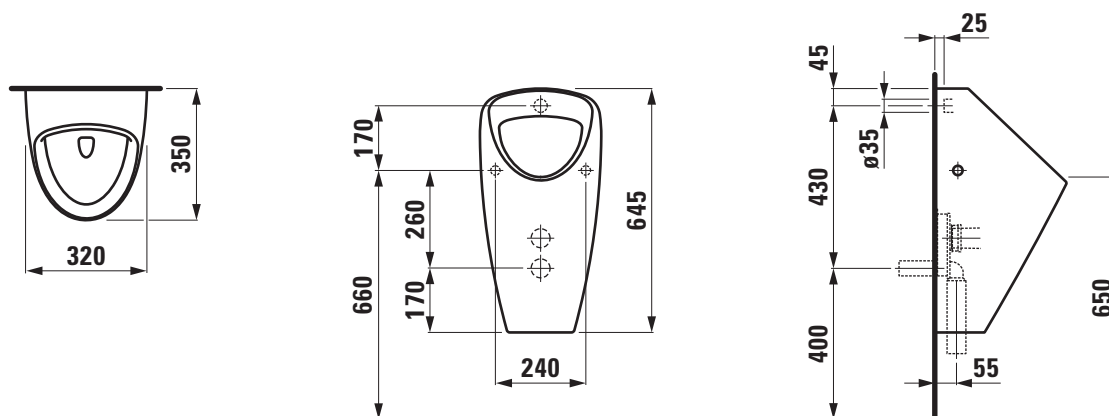
Order no.	84206.1
Certified to	EN 80, EN 13407
matching for	LIS CU2 Concealed frame for urinal without integrated control, order no. 89266.4 LIS SMART CONTROL-U, order no. 37066.0
Specification	1-l flushing siphonic urinal Only in combination with fixing set, order no. 89280.8 Charge 000 – without fly
Special specification	Charge 400 – with fly
Water inlet	concealed, 1/2"
Outlet	horizontal or vertical
Flushing	1 l
Flushing rate	minimum 0.3 l/s
Weight	20,0 kg
Mounting acc. incl.	Wall fixing set M8 LAUFEN, order no. 89280.8
Mounting acc. excl.	LIS CU2 horizontal inlet connection, order no. 89009.7 LIS SMART CONTROL-U horizontal inlet connection, order no. 89418.9 1-litre siphon with horizontal outlet DN 50 (standard Europe, except CH and UK), order no. 89418.1 2-litre siphon with horizontal outlet DN 40 (standard UK), order no. 89418.3

Mounting acc. excl.	1-litre siphon with horizontal and vertical outlet DN 50 SH 50 (standard Europe, except CH and UK), order no. 89583.9 1-litre siphon with horizontal and vertical outlet DN 40 SH 50 (standard CH), order no. 89584.0 Stone screw fixing set M8 Adaption set for stone screws M10, order no. 89281.6 Adaption set for stone screws M12, order no. 89281.4
Colours	see colour table

SPECIFICATION TEXT

Siphonic urinal Laufen-CAPRINO PLUS, sanitary ceramic EN 80, EN 13407, dimensions 320 x 350 x 645 mm
1-l flush, water inlet concealed 1/2", outlet horizontal or vertical, flushing rate minimum 0.3 l/s
Special feature: Vacuum and performance tested
Further options / accessories: Surface refinement LCC (only white), with fly, LIS horizontal inlet connection, 1-litre siphon with horizontal outlet DN 50 (standard Europe, except CH and UK), 2-litre siphon with horizontal outlet DN 40 (standard UK), 1-litre siphon with horizontal and vertical outlet DN 50 SH 50 (standard Europe, except CH and UK) and outlet DN 40 SH 50 (standard CH), LIS CU2 concealed frame for urinal without integrated control or LIS SMART CONTROL-U concealed kit for urinal flash control and front plate with infrared sensor
Order no. 84206.1

TECHNICAL DRAWINGS / S 1 : 20



URINALS

Siphonic urinal CAPRINO PLUS

84206.5



TECHNICAL DATA

Order no.	84206.5
Certified to	EN 80, EN 13407, EN 15091
matching for	LIS CU3 Concealed frame for urinal with integrated control, order no. 89266.5
Specification	1-l flushing electronic controlled siphonic urinal Electronic control 230 V Only in combination with fixing set, order no. 89280.8
Water inlet	concealed, 1/2"
Outlet	horizontal or vertical
Flushing	1 l
Flushing rate	minimum 0.3 l/s
Weight	20,0 kg
Mounting acc. incl.	Electronic control system 230 V with all mounting accessories Charge 000 – without fly, 1-litre siphon with horizontal and vertical outlet DN 40 (standard CH) Charge 400 – with fly, 1-litre siphon with horizontal and vertical outlet DN 40 (standard CH) Charge 401 – without fly, 1-litre siphon with horizontal and vertical outlet DN 50 (standard Europe, except CH and UK) Charge 411 – with fly, 1-litre siphon with horizontal and vertical outlet DN 50 (standard Europe, except CH and UK)

Mounting acc. incl.	Charge 407 – without fly, 2-litre siphon with horizontal outlet DN 40 (standard UK) Charge 417 – with fly, 2-litre siphon with horizontal outlet DN 40 (standard UK) Wall fixing set M8 LAUFEN, order no. 89280.8
---------------------	---

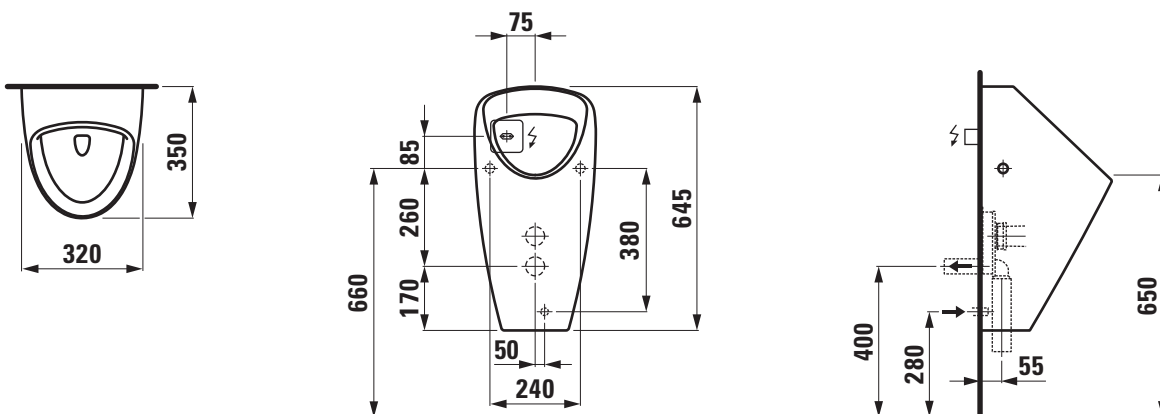
Mounting acc. excl.	Stone screw fixing set M8 Adaption set for stone screws M10, order no. 89281.6 Adaption set for stone screws M12, order no. 89281.4
---------------------	---

Colours	see colour table
---------	------------------

SPECIFICATION TEXT

Siphonic urinal Laufen-CAPRINO PLUS, sanitary ceramic, electronic control
EN 80, EN 13407, EN 15091, dimensions 320 x 350 x 645 mm
1-l flush, water inlet concealed 1/2", outlet horizontal or vertical, flushing rate minimum 0.3 l/s
electronic control system 230 V with all mounting accessories, 1-litre siphon with horizontal and vertical outlet DN 50 (standard Europe, except CH and UK) and outlet DN 40 (standard CH), 2-litre siphon with horizontal outlet DN 40 (standard UK)
Special feature: Vacuum and performance tested
Further options: Surface refinement LCC (only white), with fly, LIS CU3 concealed frame for urinal with integrated control
Order no. 84206.5

TECHNICAL DRAWINGS / S 1 : 20



URINALS

Siphonic urinal CAPRINO PLUS

84206.6



TECHNICAL DATA

Order no.	84206.6
Certified to	EN 80, EN 13407, EN 15091
matching for	LIS CU3 Concealed frame for urinal with integrated control, order no. 89266.5
Specification	1-l flushing electronic controlled siphonic urinal Electronic control for battery (4x AA 1,5 V) Only in combination with fixing set, order no. 89280.8
Water inlet	concealed, 1/2"
Outlet	horizontal or vertical
Flushing	1 l
Flushing rate	minimum 0.3 l/s
Weight	20,0 kg
Mounting acc. incl.	Electronic control system battery with all mounting accessories Charge 000 – without fly, 1-litre siphon with horizontal and vertical outlet DN 40 (standard CH) Charge 400 – with fly, 1-litre siphon with horizontal and vertical outlet DN 40 (standard CH) Charge 401 – without fly, 1-litre siphon with horizontal and vertical outlet DN 50 (standard Europe, except CH and UK) Charge 411 – with fly, 1-litre siphon with horizontal and vertical outlet DN 50 (standard Europe, except CH and UK)

Mounting acc. incl.	Charge 407 – without fly, 2-litre siphon with horizontal outlet DN 40 (standard UK) Charge 417 – with fly, 2-litre siphon with horizontal outlet DN 40 (standard UK) Wall fixing set M8 LAUFEN, order no. 89280.8
---------------------	---

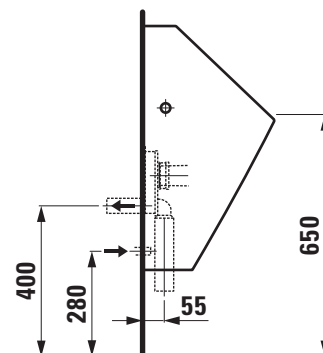
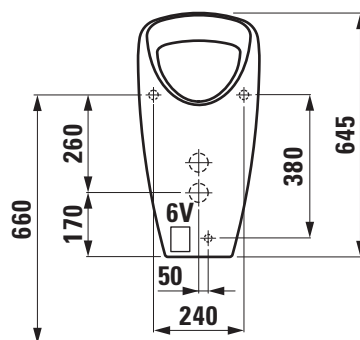
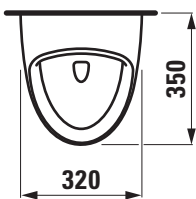
Mounting acc. excl.	Stone screw fixing set M8 Adaption set for stone screws M10, order no. 89281.6 Adaption set for stone screws M12, order no. 89281.4
---------------------	---

Colours	see colour table
---------	------------------

SPECIFICATION TEXT

Siphonic urinal Laufen-CAPRINO PLUS, sanitary ceramic electronic control
EN 80, EN 13407, EN 15091, dimensions 320 x 350 x 645 mm
1-l flush, water inlet concealed 1/2", outlet horizontal or vertical, flushing rate minimum 0.3 l/s
electronic control system for battery with all mounting accessories, 1-litre siphon with horizontal and vertical outlet DN 50 (standard Europe, except CH and UK) and outlet DN 40 (standard CH), 2-litre siphon with horizontal outlet DN 40 (standard UK)
Special feature: Vacuum and performance tested
Further options: Surface refinement LCC (only white), with fly, LIS CU3 concealed frame for urinal with integrated control
Order no. 84206.6

TECHNICAL DRAWINGS / S 1 : 20



URINALS

Siphonic urinal CAPRINO PLUS

84206.2



TECHNICAL DATA

Order no.	84206.2
Certified to	EN 80, EN 13407
Specification	1-l flushing siphonic urinal Only in combination with fixing set, order no. 89280.8 Charge 000 – without fly
Special specification	Charge 400 – with fly
Water inlet	external
Outlet	horizontal or vertical
Flushing	1 l
Flushing rate	minimum 0.3 l/s
Weight	20,0 kg
Mounting acc. incl.	Wall fixing set M8 LAUFEN, order no. 89280.8
Mounting acc. excl.	vertical inlet connection, order no. 89900.7 1-litre siphon with horizontal outlet DN 50 (standard Europe, except CH and UK), order no. 89418.1 2-litre siphon with horizontal outlet DN 40 (standard UK), order no. 89418.3 1-litre siphon with horizontal and vertical outlet DN 50 SH 50 (standard Europe, except CH and UK), order no. 89583.9

Mounting acc. excl.	1-litre siphon with horizontal and vertical outlet DN 40 SH 50 (standard CH), order no. 89584.0 Stone screw fixing set M8 Adaption set for stone screws M10, order no. 89281.6 Adaption set for stone screws M12, order no. 89281.4
---------------------	---

Colours see colour table

SPECIFICATION TEXT

Siphonic urinal Laufen-CAPRINO PLUS, sanitary ceramic
EN 80, EN 13407, dimensions 320 x 350 x 645 mm

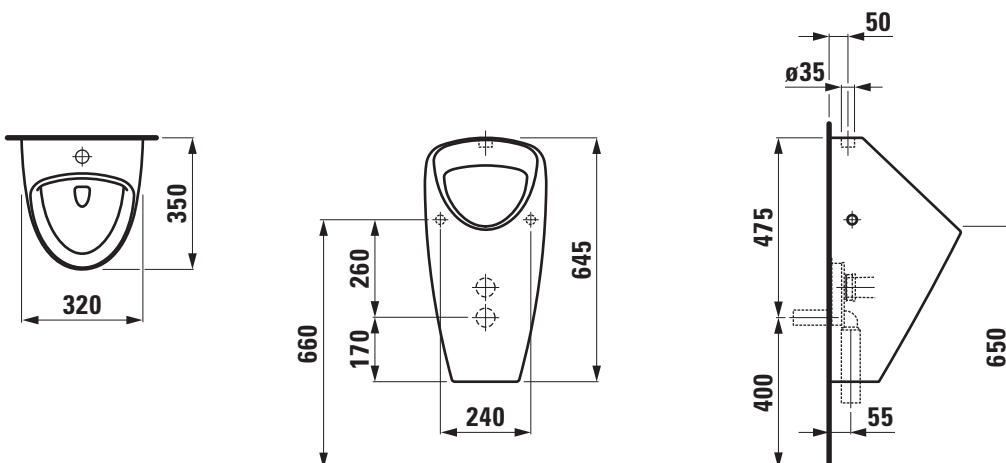
1-l flush, water inlet external, outlet horizontal or vertical,
flushing rate minimum 0.3 l/s

Special feature: Vacuum and performance tested

Further options / accessories: Surface refinement LCC (only white), with fly,
horizontal inlet connection, 1-litre siphon with horizontal outlet DN 50
(standard Europe, except CH and UK), 2-litre siphon with horizontal
outlet DN 40 (standard UK), 1-litre siphon with horizontal and vertical
outlet DN 50 SH 50 (standard Europe, except CH and UK) and outlet
DN 40 SH 50 (standard CH)

Order no. 84206.2

TECHNICAL DRAWINGS / S 1 : 20



URINALS

Siphonic urinal TAMARO 84009.0



TECHNICAL DATA

Order no.	84009.0
Certified to	EN 80, EN 13407
matching for	LIS CU1 Concealed frame for urinal without integrated control, order no. 89266.3 LIS SMART CONTROL-U, order no. 37066.0
Water inlet	concealed
Outlet	horizontal or vertical
Flushing quantity	minimum 1 l
Flushing capacity	minimum 0.3 l/s
Weight	21,5 kg
Mounting acc. excl.	LIS CU1 and SMART CONTROL-U horizontal inlet connection 1/2", order no. 89900.5 all siphons has to be used in combination with the outlet connection pipe (order no. 89397.3) 1-litre siphon with horizontal outlet DN 50 (standard Europe, except CH and UK), order no. 89418.1 1-litre siphon with horizontal and vertical outlet DN 50 SH 50 (standard Europe, except CH and UK), order no. 89583.9

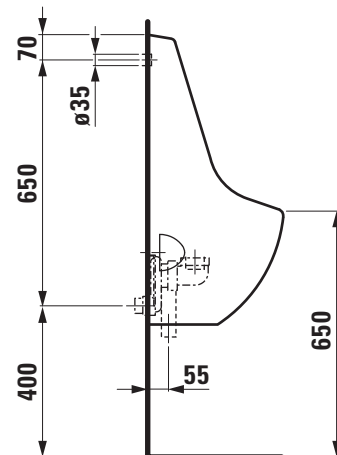
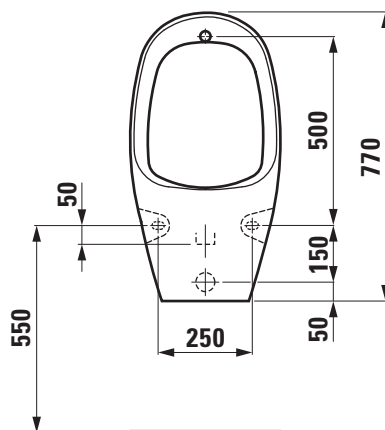
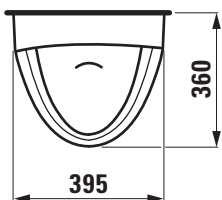
Mounting acc. excl.	1-litre siphon with horizontal and vertical outlet DN 40 SH 50 (standard CH), order no. 89584.0 Stone screws, order no. 89406.0
---------------------	--

Colours see colour table

SPECIFICATION TEXT

Siphonic urinal Laufen-TAMARO, sanitary ceramic EN 80, EN 13407, dimensions 395 x 360 x 770 mm minimum 1-l flush, water inlet concealed, outlet horizontal or vertical, flushing rate minimum 0.3 l/s
Special feature: Vacuum and performance tested
Further options / accessories: LIS horizontal inlet connection, 1-litre siphon with horizontal outlet DN 50 (standard Europe, except CH and UK), 1-litre siphon with horizontal and vertical outlet DN 50 SH 50 (standard Europe, except CH and UK) and outlet DN 40 SH 50 (standard CH), LIS CU1 concealed frame for urinal without integrated control or LIS SMART CONTROL-U concealed kit for urinal flush control and front plate with infrared sensor
Order no. 84009.0

TECHNICAL DRAWINGS / S 1 : 20



URINALS

Siphonic urinal TAMARO-S90 84010.3



TECHNICAL DATA

Order no.	84010.3
Certified to	EN 80, EN 13407, EN 15091
matching for	LIS CU3 Concealed frame for urinal with integrated control, order no. 89266.5
Specification	IR Electronic control for 230 V
Water inlet	concealed, 1/2"
Outlet	horizontal or vertical
Flushing quantity	minimum 0.7 l - 3.0 l
Flushing capacity	minimum 0.3 l/s
Weight	20,0 kg
Mounting acc. incl.	brass inlet R 1/2", IR electronic with plug and power supply
Mounting acc. excl.	Siphon with horizontal outlet, order no. 89497.4 Siphon with vertical outlet and connection bend, order no. 89903.8 Stone screws, order no. 89406.0
Colours	see colour table

SPECIFICATION TEXT

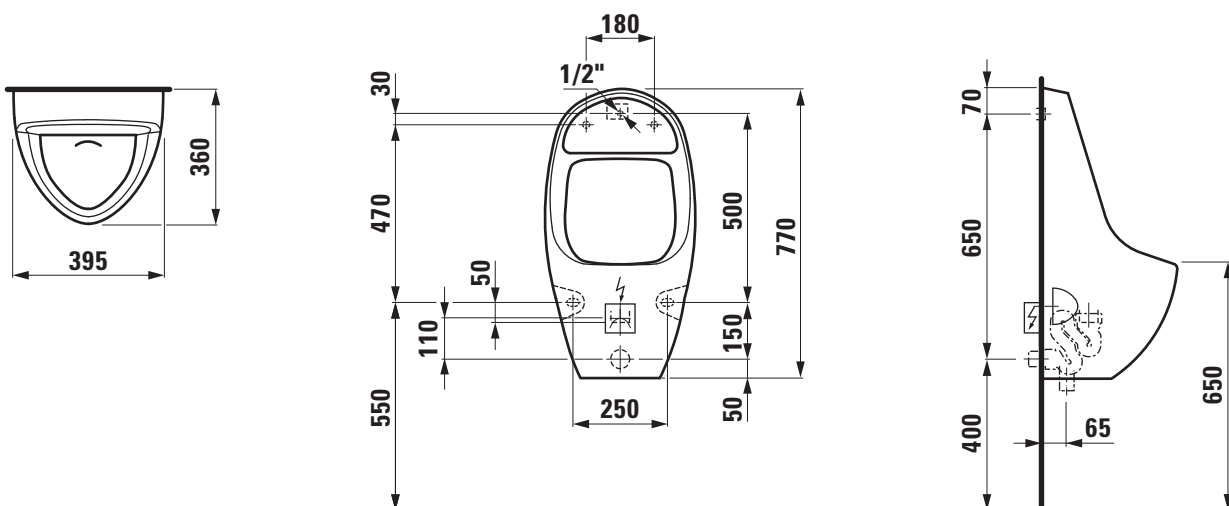
Siphonic urinal Laufen-TAMARO-S90, sanitary ceramic, with control system for net EN 80, EN 13407, EN 15091, dimensions 395 x 360 x 770 mm minimum 0.7 l - 3.0 l flush, water inlet concealed 1/2", outlet horizontal or vertical, flushing rate minimum 0.3 l/s IR electronic control 230 V with plug and power supply brass inlet R 1/2"

Special feature: Vacuum and performance tested

Further options / accessories: siphon with horizontal outlet, siphon with vertical outlet and connection bend, LIS CU3 concealed frame for urinal with integrated control

Order no. 84010.3

TECHNICAL DRAWINGS / S 1 : 20



URINALS

Siphonic urinal TAMARO-S90 84010.4



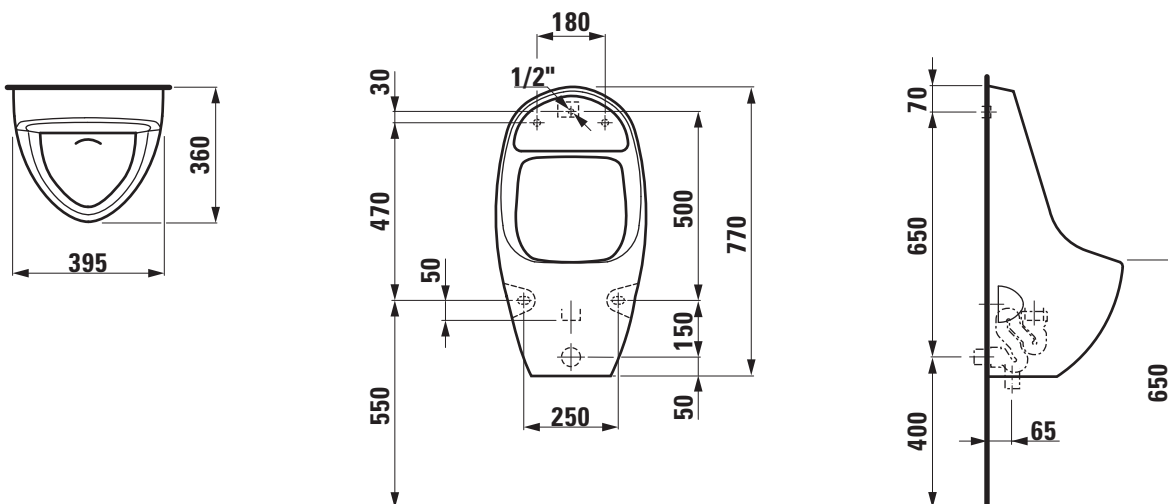
TECHNICAL DATA

Order no.	84010.4
Certified to	EN 80, EN 13407, EN 15091
matching for	LIS CU3 Concealed frame for urinal with integrated control, order no. 89266.5
Specification	IR Electronic control for battery
Water inlet	concealed, 1/2"
Outlet	horizontal or vertical
Flushing quantity	minimum 0.7 l - 3.0 l
Flushing capacity	minimum 0.3 l/s
Weight	20,0 kg
Mounting acc. incl.	brass inlet R 1/2", IR electronic with 6V lithium CR-P22 battery
Mounting acc. excl.	Siphon with horizontal outlet, order no. 89497.4 Siphon with vertical outlet and connection bend, order no. 89903.8 Stone screws, order no. 89406.0
Colours	see colour table

SPECIFICATION TEXT

Siphonic urinal Laufen-TAMARO-S90, sanitary ceramic, with control system for battery
EN 80, EN 13407, EN 15091, dimensions 395 x 360 x 770 mm
minimum 0.7 l - 3.0 l flush, water inlet concealed 1/2", outlet horizontal or vertical, flushing rate minimum 0.3 l/s
IR electronic control for battery, brass inlet R 1/2"
Special feature: Vacuum and performance tested
Further options / accessories: siphon with horizontal outlet, siphon with vertical outlet and connection bend, LIS CU3 concealed frame for urinal with integrated control
Order no. 84010.4

TECHNICAL DRAWINGS / S 1 : 20



URINALS

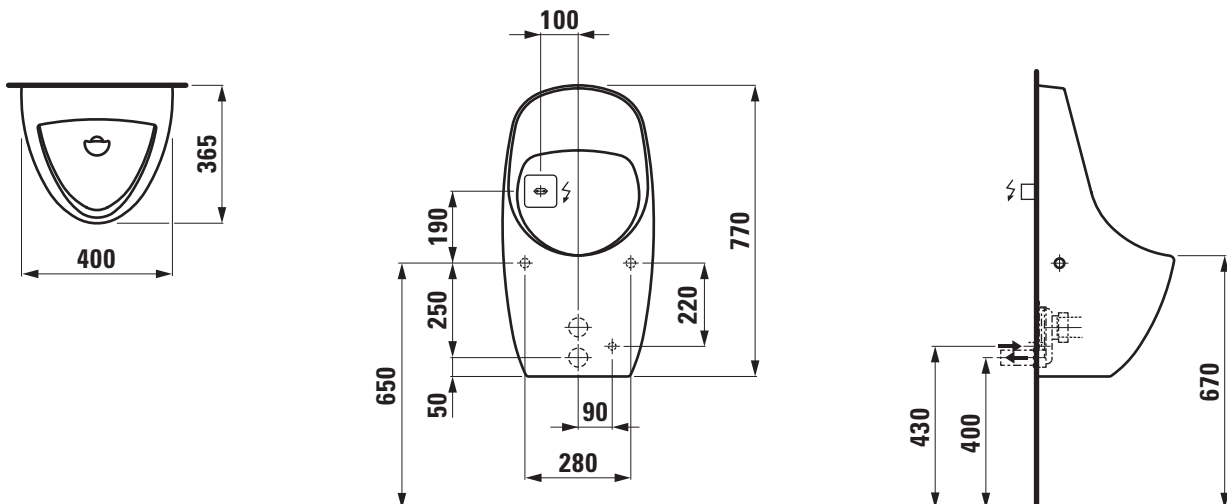
Siphonic urinal TAMARO-VS NEW 84112.2



TECHNICAL DATA

Order no.	84112.2	Mounting acc. incl.	Wall fixing set M8 LAUFEN, order no. 89280.8
Certified to	EN 80, EN 13407, EN 15091	Mounting acc. excl.	Stone screw fixing set M8
matching for	LIS CU3 Concealed frame for urinal with integrated control, order no. 89266.5		Adaption set for stone screws M10, order no. 89281.6
Specification	1-l flushing electronic controlled siphonic urinal Electronic control 230 V Only in combination with fixing set, order no. 89280.8		Adaption set for stone screws M12, order no. 89281.4
Water inlet	concealed, 1/2"	Colours	see colour table
Outlet	horizontal	SPECIFICATION TEXT	
Flushing	1 l	Siphonic urinal Laufen-TAMARO-VS NEW, sanitary ceramic, electronic control	
Flushing rate	minimum 0.3 l/s	EN 80, EN 13407, EN 15091, dimensions 400 x 365 x 770 mm	
Weight	28,0 kg	minimum 1-l flush, water inlet concealed 1/2", outlet horizontal, flushing rate minimum 0.3 l/s	
Mounting acc. incl.	Electronic control system 230 V with all mounting accessories Charge 000 – 1-litre siphon with horizontal outlet DN 40 (standard CH) Charge 401 – 1-litre siphon with horizontal outlet DN 50 (standard Europe, except CH and UK)	electronic control system 230 V with all mounting accessories Special feature: Vacuum and performance tested, 1-litre siphon with horizontal outlet DN 50 (standard Europe, except CH and UK) and outlet DN 40 (standard CH), LIS CU3 concealed frame for urinal with integrated control	
		Order no. 84112.2	

TECHNICAL DRAWINGS / S 1 : 20



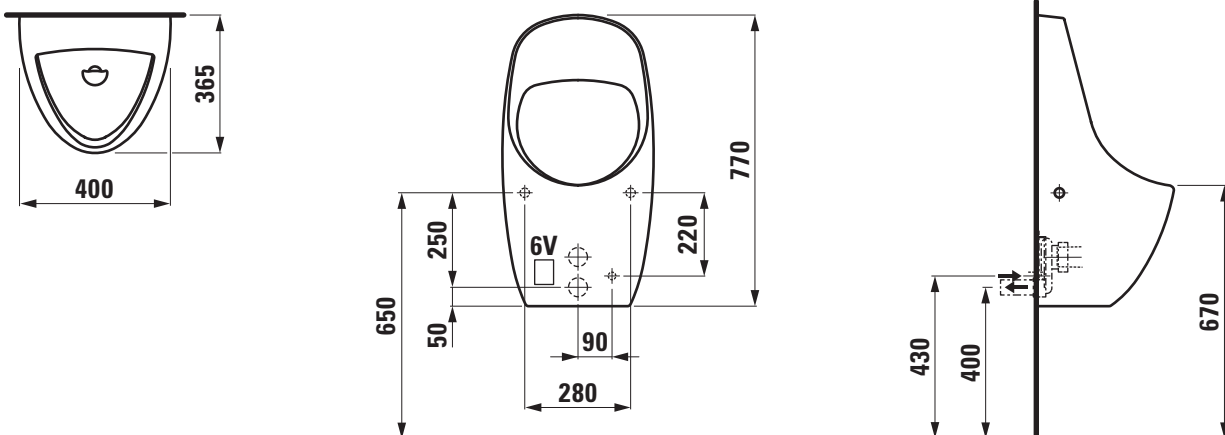
**Siphonic urinal
TAMARO-VS NEW
84112.3**



TECHNICAL DATA

Order no.	84112.3	Mounting acc. incl.	Wall fixing set M8 LAUFEN, order no. 89280.8
Certified to	EN 80, EN 13407, EN 15091	Mounting acc. excl.	Stone screw fixing set M8
matching for	LIS CU3 Concealed frame for urinal with integrated control, order no. 89266.5		Adaption set for stone screws M10, order no. 89281.6
Specification	1-l flushing electronic controlled siphonic urinal Electronic control for battery (4x AA 1,5 V) Only in combination with fixing set, order no. 89280.8		Adaption set for stone screws M12, order no. 89281.4
Water inlet	concealed, 1/2"	Colours	see colour table
Outlet	horizontal	SPECIFICATION TEXT	
Flushing	1 l	Siphonic urinal Laufen-TAMARO-VS NEW, sanitary ceramic, electronic control	
Flushing rate	minimum 0.3 l/s	EN 80, EN 13407, EN 15091, dimensions 400 x 365 x 770 mm	
Weight	28,0 kg	minimum 1-l flush, water inlet concealed 1/2", outlet horizontal, flushing rate minimum 0.3 l/s	
Mounting acc. incl.	Electronic control system battery with all mounting accessories Charge 000 – 1-litre siphon with horizontal outlet DN 40 (standard CH) Charge 401 – 1-litre siphon with horizontal outlet DN 50 (standard Europe, except CH and UK)	electronic control system for battery with all mounting accessories Special feature: Vacuum and performance tested, 1-litre siphon with horizontal outlet DN 50 (standard Europe, except CH and UK) and outlet DN 40 (standard CH), LIS CU3 concealed frame for urinal with integrated control	
		Order no. 84112.3	

TECHNICAL DRAWINGS / S 1 : 20



URINALS

Siphonic urinal TARO-NOVA 84000.0



TECHNICAL DATA

Order no.	84000.0
Certified to	EN 80, EN 13407
matching for	LIS CU1 Concealed frame for urinal without integrated control, order no. 89266.3 LIS SMART CONTROL-U, order no. 37066.0
Water inlet	concealed
Outlet	horizontal or vertical
Flushing quantity	minimum 1 l
Flushing capacity	minimum 0.3 l/s
Weight	20,0 kg
Mounting acc. excl.	LIS CU1 and SMART CONTROL-U horizontal inlet connection 1/2", order no. 89900.5 all siphons has to be used in combination with the outlet connection pipe (order no. 89397.3) 1-litre siphon with horizontal outlet DN 50 (standard Europe, except CH and UK), order no. 89418.1 1-litre siphon with horizontal and vertical outlet DN 50 SH 50 (standard Europe, except CH and UK), order no. 89583.9

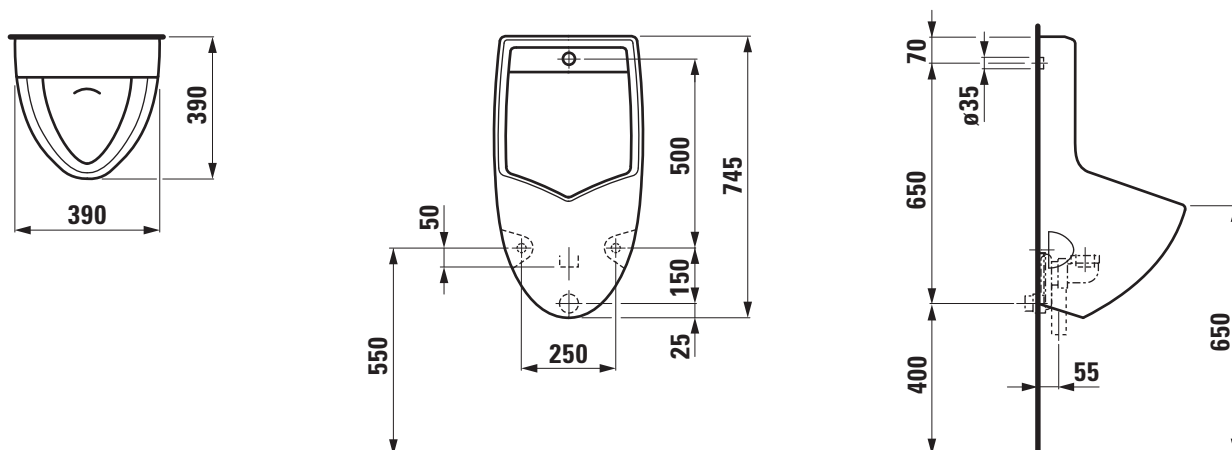
Mounting acc. excl. 1-litre siphon with horizontal and vertical outlet DN 40 SH 50 (standard CH), order no. 89584.0
Stone screws, order no. 89406.0

Colours see colour table

SPECIFICATION TEXT

Siphonic urinal Laufen-TARO-NOVA, sanitary ceramic EN 80, EN 13407, dimensions 390 x 390 x 745 mm minimum 1-l flush, water inlet concealed, outlet horizontal or vertical, flushing rate minimum 0.3 l/s
Special feature: Vacuum and performance tested
Further options / accessories: LIS horizontal inlet connection, 1-litre siphon with horizontal outlet DN 50 (standard Europe, except CH and UK), 1-litre siphon with horizontal and vertical outlet DN 50 SH 50 (standard Europe, except CH and UK) and outlet DN 40 SH 50 (standard CH), LIS CU1 concealed frame for urinal without integrated control or LIS SMART CONTROL-U concealed kit for urinal flash control and front plate with infrared sensor
Order no. 84000.0

TECHNICAL DRAWINGS / S 1 : 20



URINALS

Siphonic urinal TARO-UNI 84000.5



TECHNICAL DATA

Order no.	84000.5
Certified to	EN 80, EN 13407
Water inlet	external
Outlet	horizontal or vertical
Flushing quantity	minimum 1 l
Flushing capacity	minimum 0.3 l/s
Weight	20,0 kg
Mounting acc. excl.	vertical inlet connection, order no. 89900.7 all siphons has to be used in combination with the outlet connection pipe (order no. 89397.3) 1-litre siphon with horizontal outlet DN 50 (standard Europe, except CH and UK), order no. 89418.1 1-litre siphon with horizontal and vertical outlet DN 50 SH 50 (standard Europe, except CH and UK), order no. 89583.9

Mounting acc. excl.	1-litre siphon with horizontal and vertical outlet DN 40 SH 50 (standard CH), order no. 89584.0 Stone screws, order no. 89406.0
Colours	see colour table

SPECIFICATION TEXT

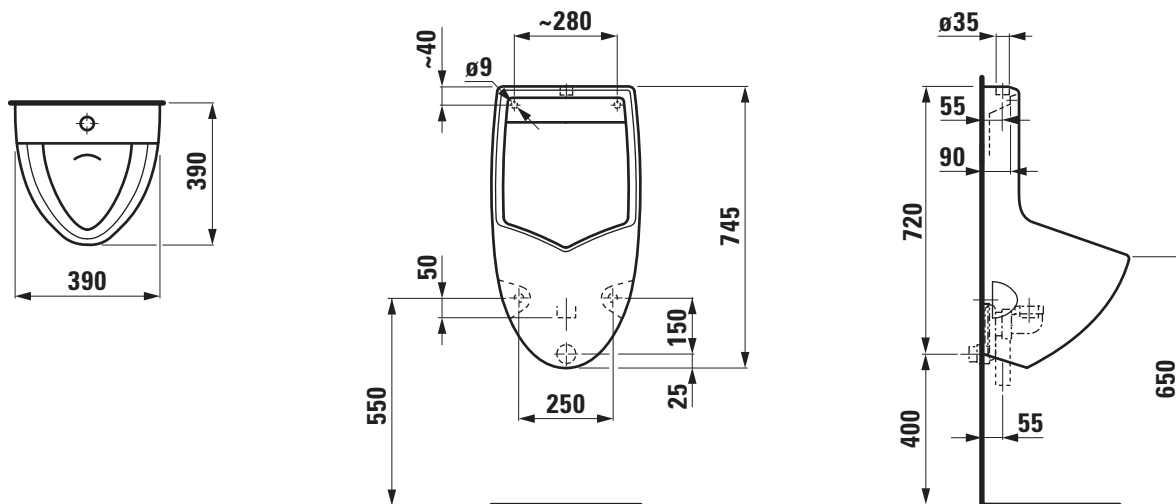
Siphonic urinal Laufen-TARO-UNI, sanitary ceramic EN 80, EN 13407, dimensions 390 x 390 x 745 mm minimum 1-l flush, water inlet external, outlet horizontal or vertical, flushing rate minimum 0.3 l/s

Special feature: Vacuum and performance tested

Further options / accessories: vertical inlet connection, 1-litre siphon with horizontal outlet DN 50 (standard Europe, except CH and UK), 1-litre siphon with horizontal and vertical outlet DN 50 SH 50 (standard Europe, except CH and UK) and outlet DN 40 SH 50 (standard CH)

Order no. 84000.5

TECHNICAL DRAWINGS / S 1 : 20



Siphonic urinal
VILA
84114.1



TECHNICAL DATA

Order no.	84114.1
Certified to	EN 80, EN 13407
matching for	LIS CU2 Concealed frame for urinal without integrated control, order no. 89266.4 LIS SMART CONTROL-U, order no. 37066.0
Specification	1-l flushing siphonic urinal Only to be used with cover Only in combination with fixing set, order no. 89280.8
Water inlet	concealed
Outlet	horizontal
Flushing	1 l
Flushing rate	minimum 0.3 l/s
Weight	20,0 kg
Accessories excl.	Urinal cover, order no. 89414.2
Mounting acc. incl.	Wall fixing set M8 LAUFEN, order no. 89280.8
Mounting acc. excl.	LIS CU2 horizontal inlet connection, order no. 89009.7 LIS SMART CONTROL-U horizontal inlet connection, order no. 89418.9 1-litre siphon with horizontal outlet DN 50 (standard Europe, except CH and UK), order no. 89418.1

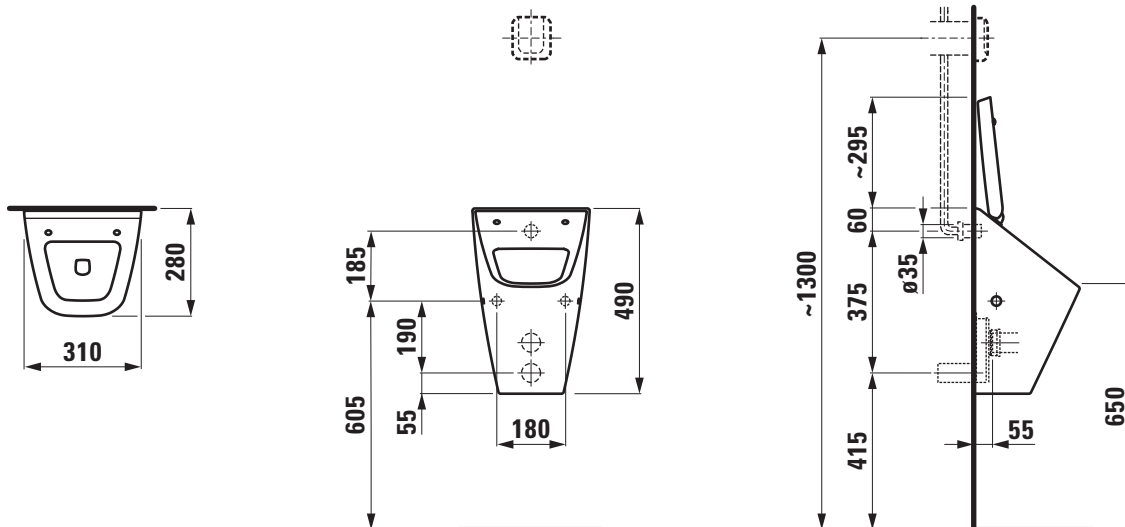
Mounting acc. excl.	2-litre siphon with horizontal outlet DN 40 (standard UK), order no. 89418.3 Stone screw fixing set M8 Adaption set for stone screws M10, order no. 89281.6 Adaption set for stone screws M12, order no. 89281.4
---------------------	---

Colours see colour table

SPECIFICATION TEXT

Siphonic urinal Laufen-VILA, sanitary ceramic EN 80, EN 13407, dimensions 310 x 280 x 490 mm only to be used with cover
1-l flush, water inlet concealed, outlet horizontal, flushing rate minimum 0.3 l/s
Special feature: Vacuum and performance tested
Further options / accessories: Surface refinement LCC (only white), LIS horizontal inlet connection, 1-litre siphon with horizontal outlet DN 50 (standard Europe, except CH and UK), 2-litre siphon with horizontal outlet DN 40 (standard UK), urinal cover, LIS CU2 concealed frame for urinal without integrated control or LIS SMART CONTROL-U concealed kit for urinal flush control and front plate with infrared sensor
Order no. 84114.1

TECHNICAL DRAWINGS / S 1 : 20



URINALS
Urinal cover
VILA
89414.2



TECHNICAL DATA

Order no.	89414.2
matching for	Siphonic urinal, order no. 84114.1
Specification	removable with automatic lowering system with antibacterial coating
Weight	1,8 kg
Mounting acc.	included
Colours	see colour table

SPECIFICATION TEXT

Urinal cover Laufen-VILA, Duroplast
removable, automatic lowering system
matching siphonic urinal, order no. 84114.1
Special feature: antibacterial coating
Order no. 89414.2

Siphonic urinal
VILA
84114.2



TECHNICAL DATA

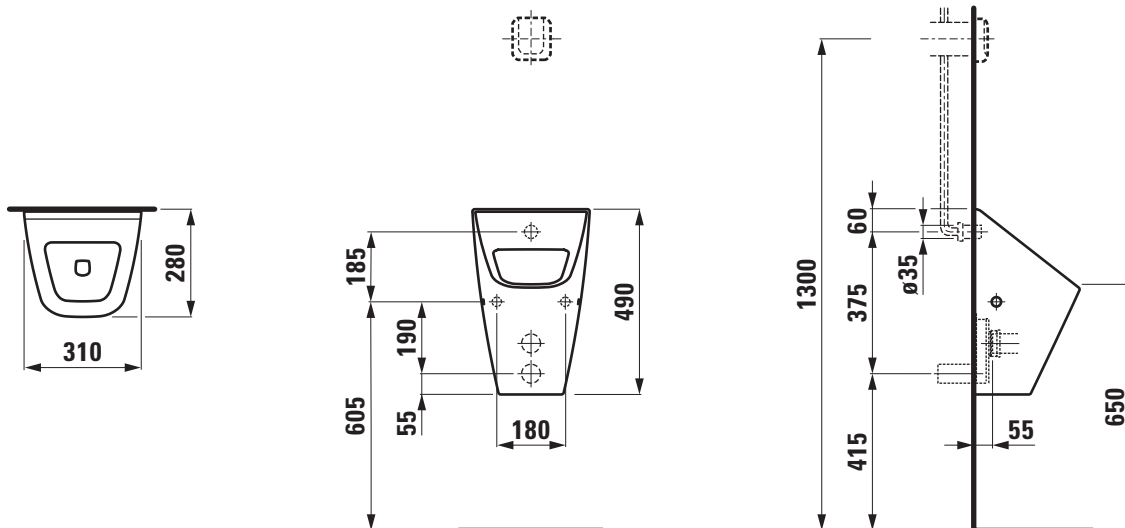
Order no.	84114.2
Certified to	EN 80, EN 13407
matching for	LIS CU2 Concealed frame for urinal without integrated control, order no. 89266.4 LIS SMART CONTROL-U, order no. 37066.0
Specification	1-l flushing siphonic urinal Only in combination with fixing set, order no. 89280.8
Water inlet	concealed
Outlet	horizontal
Flushing	1 l
Flushing rate	minimum 0.3 l/s
Weight	20,0 kg
Mounting acc. incl.	Wall fixing set M8 LAUFEN, order no. 89280.8
Mounting acc. excl.	LIS CU2 horizontal inlet connection, order no. 89009.7 LIS SMART CONTROL-U horizontal inlet connection, order no. 89418.9 1-litre siphon with horizontal outlet DN 50 (standard Europe, except CH and UK), order no. 89418.1

Mounting acc. excl.	2-litre siphon with horizontal outlet DN 40 (standard UK), order no. 89418.3 Stone screw fixing set M8 Adaption set for stone screws M10, order no. 89281.6 Adaption set for stone screws M12, order no. 89281.4
Colours	see colour table

SPECIFICATION TEXT

Siphonic urinal Laufen-VILA, sanitary ceramic EN 80, EN 13407, dimensions 310 x 280 x 490 mm
1-l flush, water inlet concealed, outlet horizontal, flushing rate minimum 0.3 l/s
Special feature: Vacuum and performance tested
Further options / accessories: Surface refinement LCC (only white), LIS horizontal inlet connection, 1-litre siphon with horizontal outlet DN 50 (standard Europe, except CH and UK), 2-litre siphon with horizontal outlet DN 40 (standard UK), LIS CU2 concealed frame for urinal without integrated control or LIS SMART CONTROL-U concealed kit for urinal flash control and front plate with infrared sensor
Order no. 84114.2

TECHNICAL DRAWINGS / S 1 : 20



URINALS

Siphonic urinal CASA 84014.1



TECHNICAL DATA

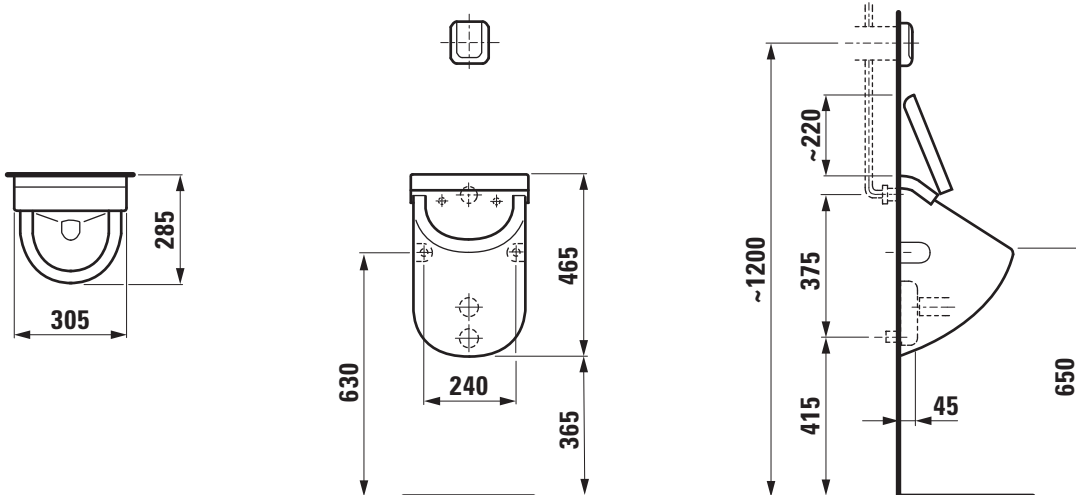
Order no.	84014.1
Certified to	EN 80, EN 13407
matching for	LIS CU2 Concealed frame for urinal without integrated control, order no. 89266.4 LIS SMART CONTROL-U, order no. 37066.0
Specification	Only to be used with cover
Water inlet	concealed
Outlet	horizontal
Flushing quantity	minimum 2 l
Flushing capacity	minimum 0.3 l/s
Weight	10,0 kg
Accessories excl.	Cover for urinal, order no. 89414.1
Mounting acc. incl.	Fixing screws, order no. 89553.8
Mounting acc. excl.	LIS CU2 horizontal inlet connection, order no. 89009.7 LIS SMART CONTROL-U horizontal inlet connection, order no. 89418.9 Siphon with concealed outlet, order no. 89415.3

Colours see colour table

SPECIFICATION TEXT

Siphonic urinal Laufen-CASA, sanitary ceramic EN 80, EN 13407, dimensions 305 x 285 x 465 mm only to be used with cover
minimum 2-l flush, water inlet concealed, outlet horizontal, flushing rate minimum 0.3 l/s
Special feature: Vacuum and performance tested
Further options / accessories: LIS horizontal inlet connection, siphon with concealed outlet, urinal cover, LIS CU2 concealed frame for urinal without integrated control or LIS SMART CONTROL-U concealed kit for urinal flush control and front plate with infrared sensor
Order no. 84014.1

TECHNICAL DRAWINGS / S 1 : 20



URINALS
Cover for urinal
CASA
89414.1



TECHNICAL DATA

Order no.	89414.1
matching for	Siphonic urinal CASA, order no. 84014.1
Weight	2,5 kg
Mounting acc.	included
Colours	see colour table

SPECIFICATION TEXT

Cover for urinal Laufen-CASA, Duroplast
removable
matching siphonic urinal, order no. 84014.1
Order no. 89414.1

URINALS

Siphonic urinal CASA 84014.5



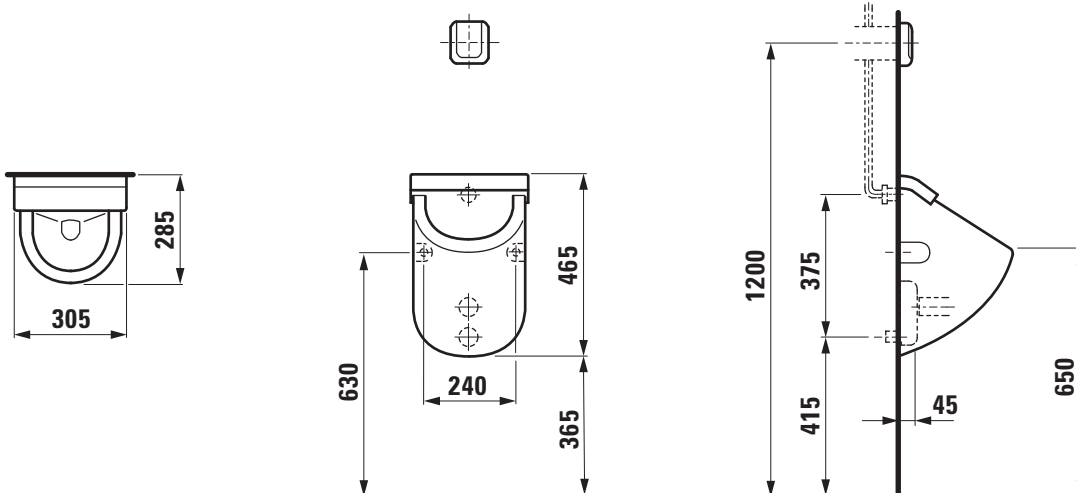
TECHNICAL DATA

Order no.	84014.5
Certified to	EN 80, EN 13407
matching for	LIS CU2 Concealed frame for urinal without integrated control, order no. 89266.4 LIS SMART CONTROL-U, order no. 37066.0
Specification	without cover
Water inlet	concealed
Outlet	horizontal
Flushing quantity	minimum 2 l
Flushing capacity	minimum 0.3 l/s
Weight	10,0 kg
Mounting acc. incl.	Fixing screws, order no. 89553.8
Mounting acc. excl.	LIS CU2 horizontal inlet connection, order no. 89009.7 LIS SMART CONTROL-U horizontal inlet connection, order no. 89418.9 Siphon with concealed outlet, order no. 89415.3
Colours	see colour table

SPECIFICATION TEXT

Siphonic urinal Laufen-CASA, sanitary ceramic EN 80, EN 13407, dimensions 305 x 285 x 465 mm minimum 2-l flush, water inlet concealed, outlet horizontal, flushing rate minimum 0.3 l/s
Special feature: Vacuum and performance tested
Further options / accessories: LIS horizontal inlet connection, siphon with concealed outlet, LIS CU2 concealed frame for urinal without integrated control or LIS SMART CONTROL-U concealed kit for urinal flash control and front plate with infrared sensor
Order no. 84014.5

TECHNICAL DRAWINGS / S 1 : 20



**Siphonic urinal rimless
84028.1**



TECHNICAL DATA

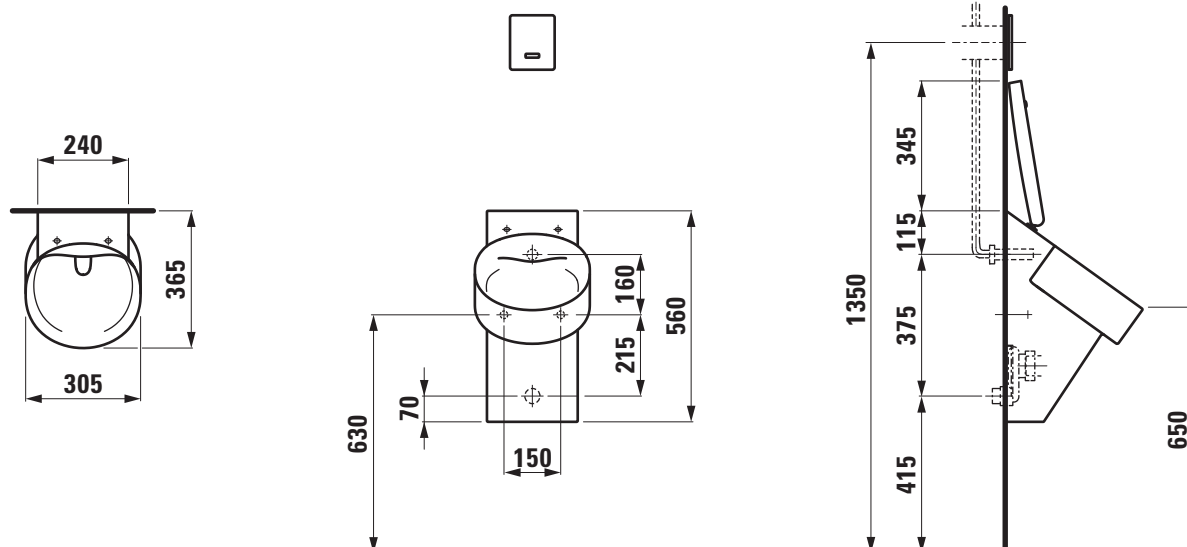
Order no.	84028.1
Certified to	EN 80, EN 13407
matching for	LIS CU2 Concealed frame for urinal without integrated control, order no. 89266.4
Specification	rimless 1-l flushing siphonic urinal Only to be used with cover Only in combination with fixing set, order no. 89280.8
Water inlet	concealed, 2-6 bar
Outlet	horizontal
Flushing	1 l
Flushing rate	minimum 0.3 l/s - 0.6 l/s
Weight	13,5 kg
Accessories excl.	Urinal cover, order no. 89428.2
Mounting acc. incl.	Wall fixing set M8 LAUFEN, order no. 89280.8
Mounting acc. excl.	LIS CU2 horizontal inlet connection, order no. 89009.7 All siphons has to be used in combination with the outlet connection pipe (order no. 89497.3) 1-litre siphon with horizontal outlet DN 50 (standard Europe, except CH and UK), order no. 89418.1

Mounting acc. excl.	Stone screw fixing set M12 Changing set LAUFEN Stone screw fixing set M8 Adaption set for stone screws M10, order no. 89281.6 Adaption set for stone screws M12, order no. 89281.4
Colours	see colour table

SPECIFICATION TEXT

Siphonic urinal rimless Laufen-VAL, sanitary ceramic EN 80, EN 13407 dimensions 305 x 365 x 560 mm (with cover 905 mm) only to be used with cover
1-l flush, water inlet concealed, outlet horizontal, flushing rate minimum 0.3 l/s - 0.6 l/s
Special feature: Surface refinement LCC (only white), rimless, vacuum and performance tested
Further options / accessories: LIS CU2 horizontal inlet connection, 1-litre siphon with horizontal outlet DN 50 (standard Europe, except CH and UK), urinal cover, LIS CU2 concealed frame for urinal without integrated control
Order no. 84028.1

TECHNICAL DRAWINGS / S 1 : 20



Urinal cover with automatic lowering system

89428.2



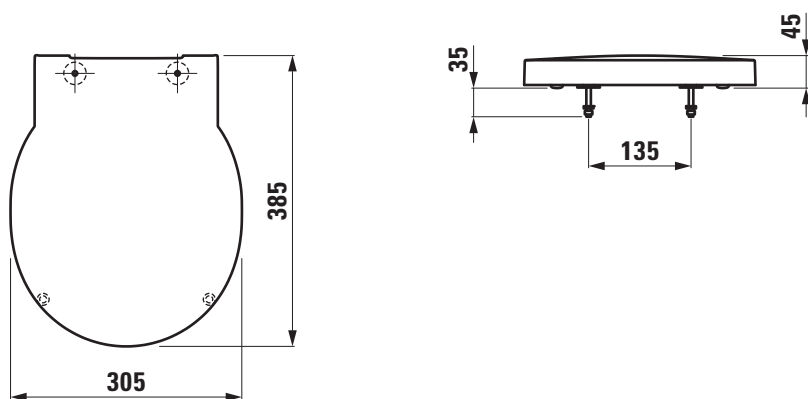
TECHNICAL DATA

Order no.	89428.2
matching for	Siphonic urinal, order no. 84028.1
Specification	removable with automatic lowering system
Weight	0,9 kg
Mounting acc.	included
Colours	see colour table

SPECIFICATION TEXT

Urinal cover Laufen-VAL, Duroplast
removable, automatic lowering system
matching urinal, order no. 84028.1
Order no. 89428.2

TECHNICAL DRAWINGS / S 1 : 10



**Siphonic urinal rimless
84028.4**

TECHNICAL DATA

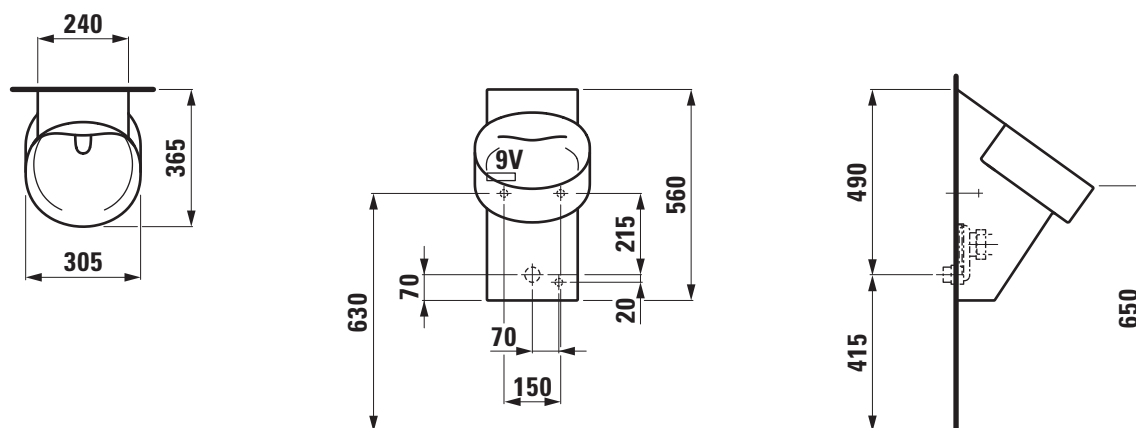
Order no.	84028.4
Certified to	EN 80, EN 13407, EN 15901
matching for	LIS CU3 Concealed frame for urinal with integrated control, order no. 89266.5
Specification	Rimless 1-l flushing siphonic urinal Electronic control with Bluetooth for battery (6x AA 1,5 V) pre-assembled Only in combination with fixing set, order no. 89280.8
Water inlet	concealed, 2-6 bar
Outlet	horizontal
Flushing	minimum 0.5 l/s - 3.0 l/s
Flushing rate	minimum 0.3 l/s - 0.6 l/s
Weight	13,5 kg
Mounting acc. incl.	Electronic control pre-assembled Wall fixing set M8 LAUFEN, order no. 89280.8
Mounting acc. excl.	All siphons has to be used in combination with the outlet connection pipe (order no. 89497.3) 1-litre siphon with horizontal outlet DN 50 (standard Europe, except CH and UK), order no. 89418.1

Mounting acc. excl.	Stone screw fixing set M12 Changing set LAUFEN Stone screw fixing set M8 Adaption set for stone screws M10, order no. 89281.6 Adaption set for stone screws M12, order no. 89281.4
---------------------	--

Colours see colour table

SPECIFICATION TEXT

Siphonic urinal rimless Laufen-VAL, sanitary ceramic electronic controlled with Bluetooth
EN 80, EN 13407, EN 15901
dimensions 305 x 365 x 560 mm
minimum 0.5 l - 3.0 l flush, water inlet concealed, outlet horizontal, flushing rate minimum 0.3 l/s - 0.6 l/s
electronic control for battery (6x AA 1,5 V) pre-assembled,
Special feature: Surface refinement LCC (only white), rimless, vacuum and performance tested
Further options / accessories: 1-litre siphon with horizontal outlet DN 50 (standard Europe, except CH and UK), LIS CU3 concealed frame for urinal with integrated control
Order no. 84028.4

TECHNICAL DRAWINGS / S 1 : 20


**Siphonic urinal rimless
84028.6**



TECHNICAL DATA

Order no.	84028.6
Certified to	EN 80, EN 13407, EN 15901
matching for	LIS CU3 Concealed frame for urinal with integrated control, order no. 89266.5
Specification	Rimless 1-l flushing siphonic urinal Electronic control with Bluetooth for 230 V pre-assembled Only in combination with fixing set, order no. 89280.8
Water inlet	concealed, 2-6 bar
Outlet	horizontal
Flushing	minimum 0.5 l/s - 3.0 l/s
Flushing rate	minimum 0.3 l/s - 0.6 l/s
Weight	13,5 kg
Mounting acc. incl.	Electronic control 230 V Wall fixing set M8 LAUFEN, order no. 89280.8
Mounting acc. excl.	All siphons has to be used in combination with the outlet connection pipe (order no. 89497.3) 1-litre siphon with horizontal outlet DN 50 (standard Europe, except CH and UK), order no. 89418.1

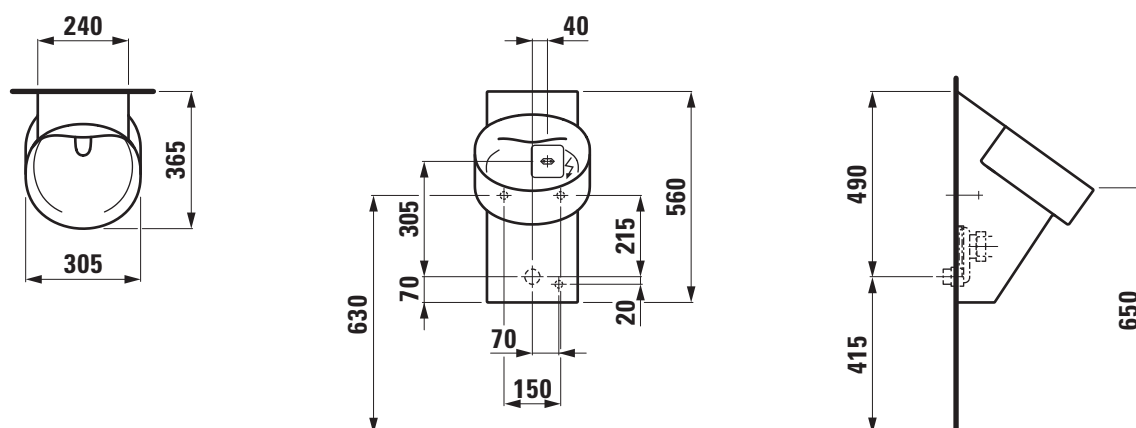
Mounting acc. excl.	Stone screw fixing set M12 Changing set LAUFEN Stone screw fixing set M8 Adaption set for stone screws M10, order no. 89281.6 Adaption set for stone screws M12, order no. 89281.4
---------------------	--

Colours see colour table

SPECIFICATION TEXT

Siphonic urinal rimless Laufen-VAL, sanitary ceramic electronic controlled with Bluetooth
EN 80, EN 13407, EN 15901
dimensions 305 x 365 x 560 mm
minimum 0.5 l - 3.0 l flush, water inlet concealed, outlet horizontal, flushing rate minimum 0.3 l/s - 0.6 l/s
electronic control 230 V
Special feature: Surface refinement LCC (only white), rimless, vacuum and performance tested
Further options / accessories: 1-litre siphon with horizontal outlet DN 50 (standard Europe, except CH and UK), LIS CU3 concealed frame for urinal with integrated control
Order no. 84028.6

TECHNICAL DRAWINGS / S 1 : 20



**Siphonic urinal rimless
84028.5**



TECHNICAL DATA

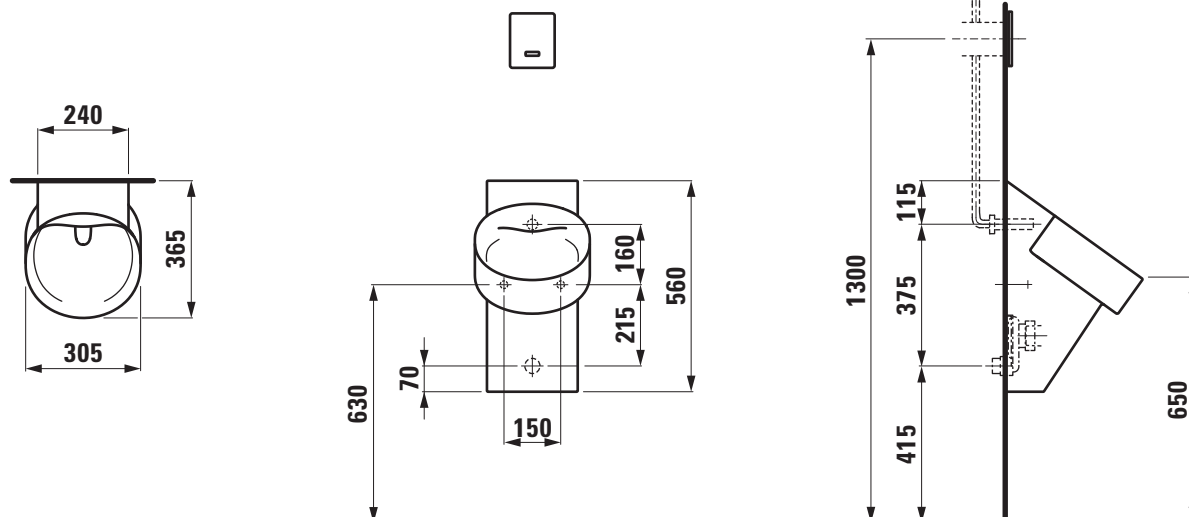
Order no.	84028.5
Certified to	EN 80, EN 13407
matching for	LIS CU2 Concealed frame for urinal without integrated control, order no. 89266.4
Specification	Rimless 1-l flushing siphonic urinal Only in combination with fixing set, order no. 89280.8
Water inlet	concealed, 2-6 bar
Outlet	horizontal
Flushing	minimum 0.5 l/s - 3.0 l/s
Flushing rate	minimum 0.3 l/s - 0.6 l/s
Weight	13,5 kg
Mounting acc. incl.	Wall fixing set M8 LAUFEN, order no. 89280.8
Mounting acc. excl.	LIS CU2 horizontal inlet connection, order no. 89009.7 All siphons has to be used in combination with the outlet connection pipe (order no. 89497.3) 1-litre siphon with horizontal outlet DN 50 (standard Europe, except CH and UK), order no. 89418.1

Mounting acc. excl.	Stone screw fixing set M12 Changing set LAUFEN Stone screw fixing set M8 Adaption set for stone screws M10, order no. 89281.6 Adaption set for stone screws M12, order no. 89281.4
Colours	see colour table

SPECIFICATION TEXT

Siphonic urinal rimless Laufen-VAL, sanitary ceramic
EN 80, EN 13407
dimensions 305 x 365 x 560 mm
minimum 0.5 l - 3.0 l flush, water inlet concealed, outlet horizontal,
flushing rate minimum 0.3 l/s - 0.6 l/s
Special feature: Surface refinement LCC (only white), rimless, vacuum and performance tested
Further options / accessories: LIS CU2 horizontal inlet connection, 1-litre siphon with horizontal outlet DN 50 (standard Europe, except CH and UK), LIS CU2 concealed frame for urinal without integrated control
Order no. 84028.5

TECHNICAL DRAWINGS / S 1 : 20





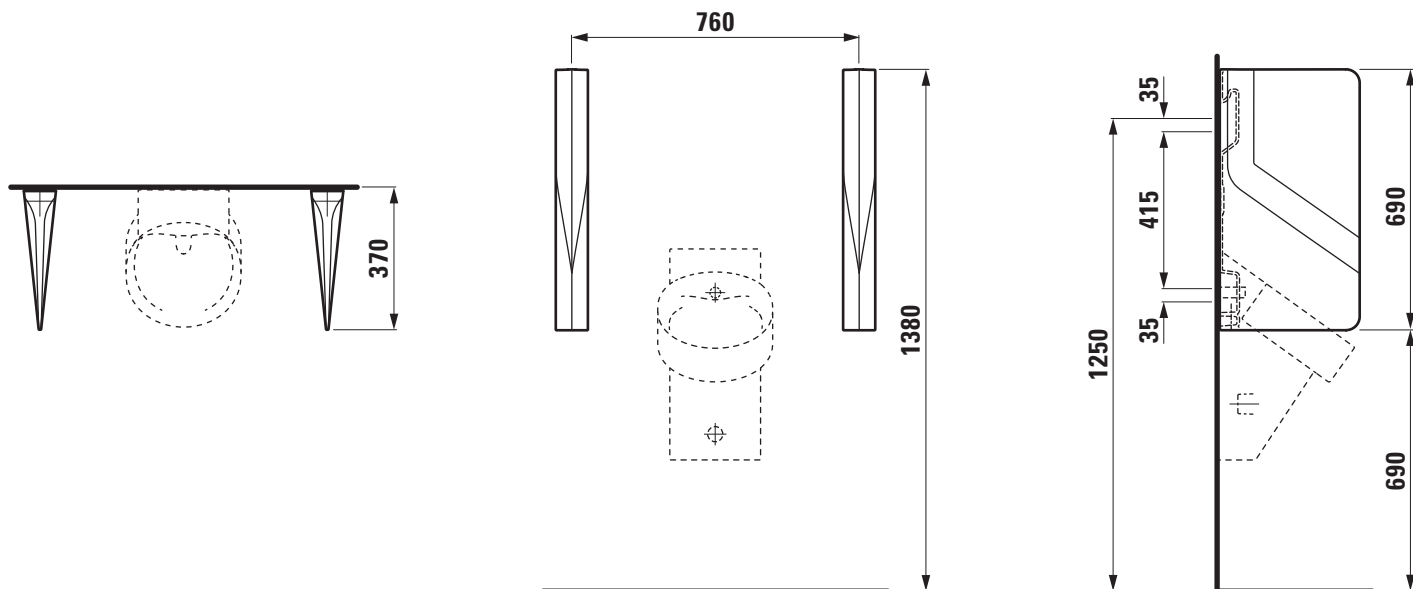
TECHNICAL DATA

Order no.	84728.0
Weight	8,8 kg
Mounting acc. incl.	Fixing device, order no. 89860.0
Colours	see colour table

SPECIFICATION TEXT

Urinal division Laufen-VAL, sanitary ceramic
 dimensions 370 x 690 mm
 Order no. 84728.0

TECHNICAL DRAWINGS / S 1 : 20



URINALS

Urinal division

CINTO

84760.3



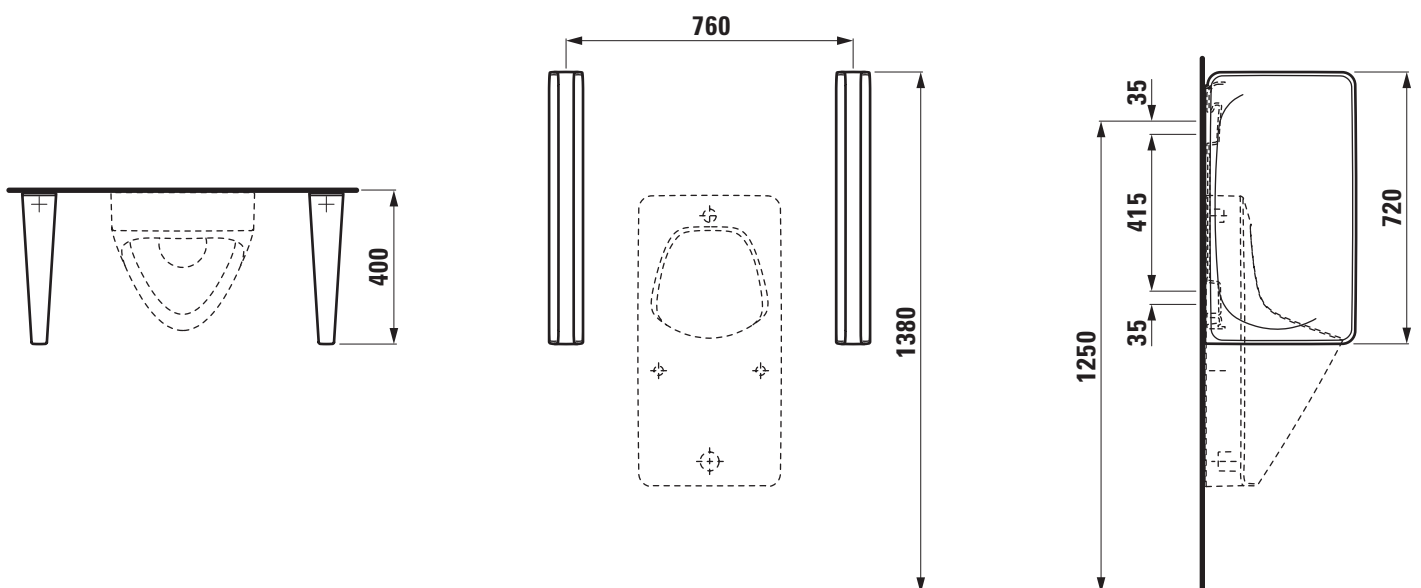
TECHNICAL DATA

Order no.	84760.3
Weight	14,0 kg
Mounting acc. incl.	Fixing device, order no. 89860.0
Colours	see colour table

SPECIFICATION TEXT

Urinal division Laufen-CINTO, sanitary ceramic
dimensions 400 x 720 mm
Order no. 84760.3

TECHNICAL DRAWINGS / S 1 : 20



URINALS

Urinal division

RION

84760.0



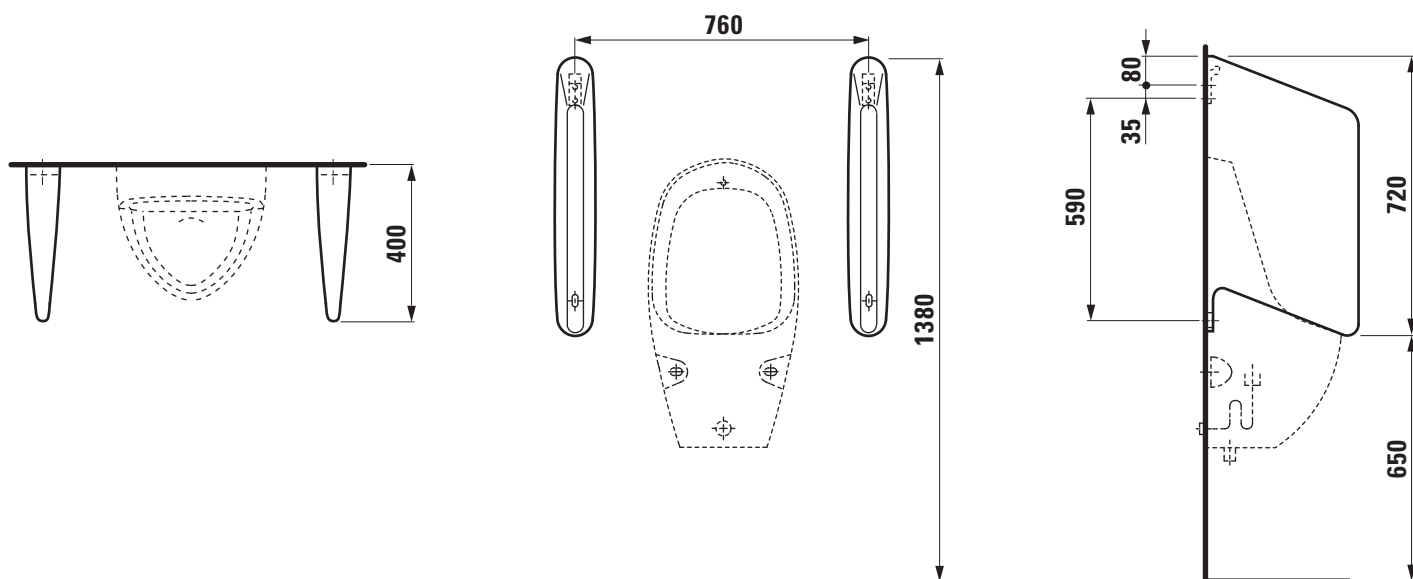
TECHNICAL DATA

Order no.	84760.0
Weight	14,0 kg
Mounting acc. incl.	Fixing device, order no. 89980.0
Colours	see colour table

SPECIFICATION TEXT

Urinal division Laufen-RION, sanitary ceramic
dimensions 400 x 720 mm
Order no. 84760.0

TECHNICAL DRAWINGS / S 1 : 20



**Wall sink
BERNINA
85421.1**



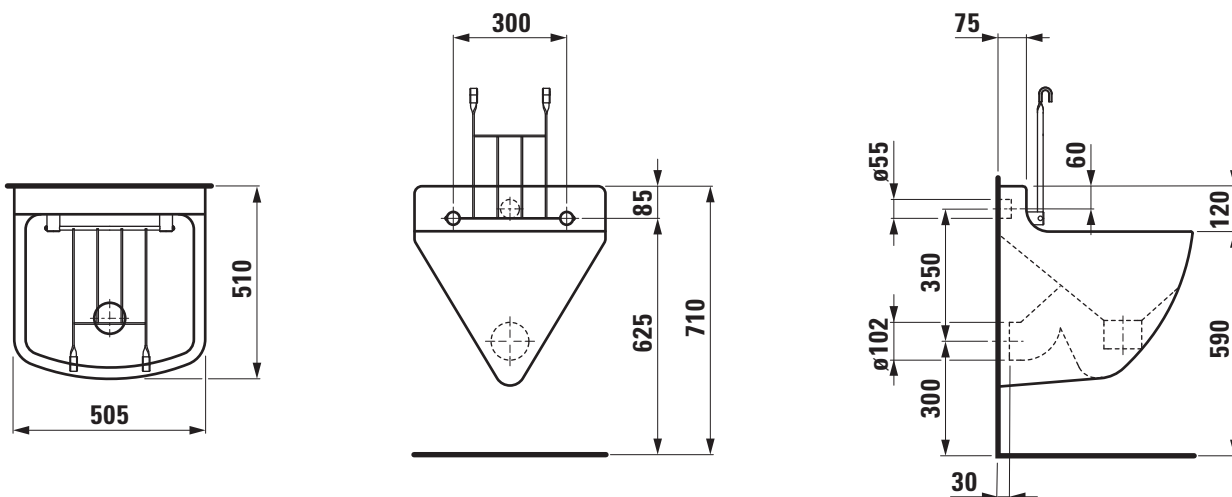
TECHNICAL DATA

Order no.	85421.1
Dimensions	505 x 510 mm
Water inlet	concealed
Outlet	concealed
Flushing quantity	minimum 8 l
Flushing capacity	minimum 2,1 l/s
Weight	25 kg
Accessories incl.	Grating LAUFEN, order no. 89947.0 Screws to grating, order no. 89949.0
Colours	see colour table

SPECIFICATION TEXT

Wall sink Laufen-BERNINA, sanitary ceramic with grating LAUFEN dimensions 505 x 510 mm, symmetric minimum 8-l-flush, water inlet and outlet concealed, flushing rate minimum 2,1 l/s
Order no. 85421.0

TECHNICAL DRAWINGS / S 1 : 20





TECHNICAL DATA

Order no.	85760.0
Dimensions	600 x 450 mm
Inside dimensions of the basin	550/430 x 270 mm
Specification	without tap hole
Special specification	Charge 104 – 1 centre tap hole Charge 503 – 1 centre tap hole middle basin
Weight	20,5 kg
Mounting acc. excl.	Mounting set M10 x 140 mm, order no. 89988.2
Colours	see colour table

SPECIFICATION TEXT

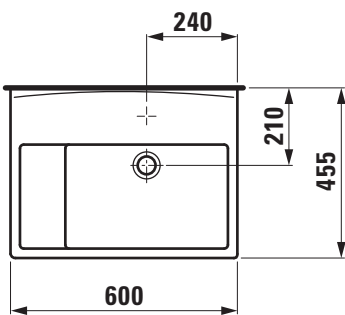
School washbasin Laufen-COLLEGE, sanitary ceramic dimensions 600 x 450 mm, symmetric without tap hole

Special feature: overflow channel glazed

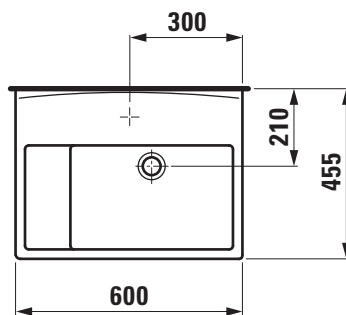
Further options: 1 centre tap hole, 1 centre tap hole middle basin

Order no. 85760.0

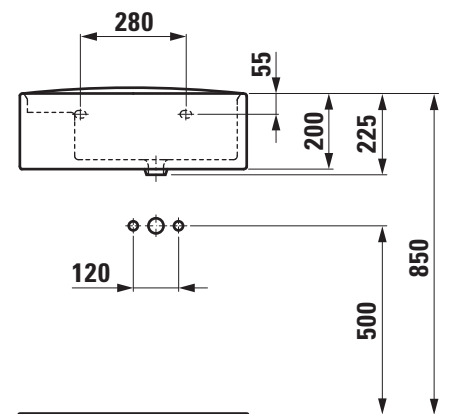
TECHNICAL DRAWINGS / S 1 : 20



Charge 503



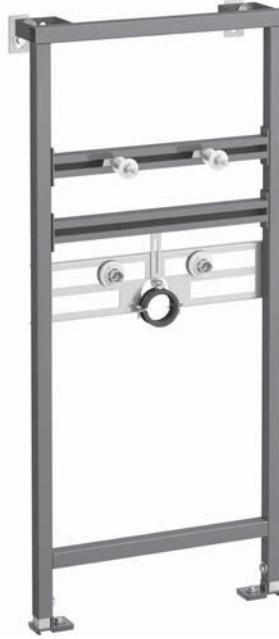
Charge 104



LAUFEN INSTALLATION SYSTEMS

LAUFEN INSTALLATION SYSTEM

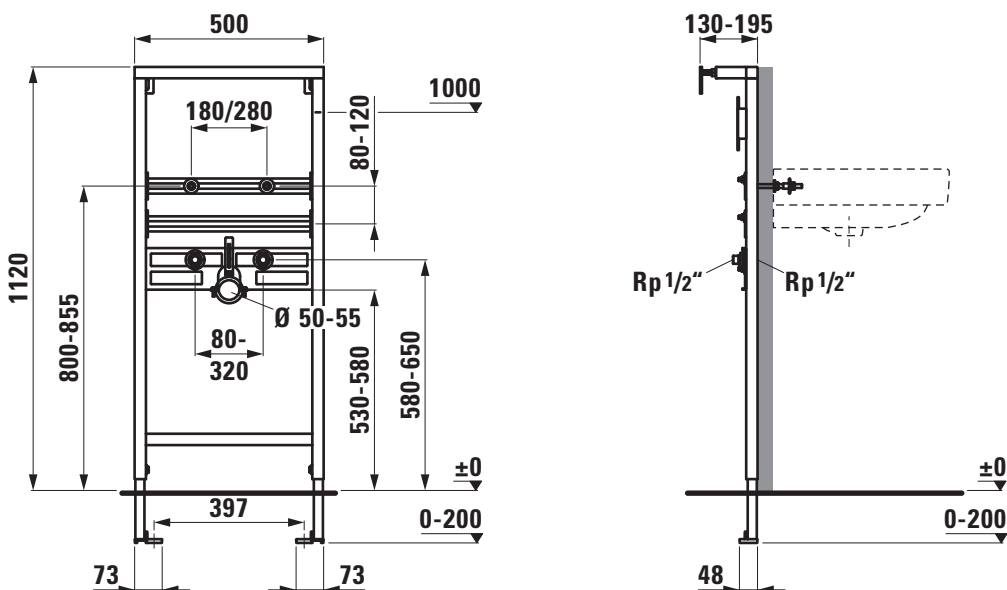
CWB1 Concealed frame for washbasin 89266.1



TECHNICAL DATA

Order no.	89266.1	Mounting acc. incl.	Fastening set to floor and wall, fastening set for ceramic and protection tubes for M8 threaded rods.
matching for	All LAUFEN washbasins with wall-fixation 180 - 280 mm	Mounting acc. excl.	Sound insulation set, order no. 89269.6 LIS fastening plate for Simibox light, order no. 89266.2
Specifications	For mounting in front of a solid or drywall construction, self-supporting.	Mounting information	Please note the necessary wall thickness of 80 mm in case of pre-wall installation. Height from finished floor to top of washbasin pre-set to 900 mm, adjustable between 850-900 mm. System installation is also possible between modular walls (plasterboard).
Other specifications	Galvanized leg supports, rotatable, height-adjustable 0-200 mm. Supporting frame made of steel profiles. Capable to resist 150 kg	Colours	Surface powder coated blue
Water connection	Rp 1/2", brass, matching for standard pipe systems The axial distance is adjustable between 80-320 mm, the height between 580-650 mm.		
Installation depth	130-195 mm		
Weight	12,0 kg		

TECHNICAL DRAWINGS / S 1 : 20



LAUFEN INSTALLATION SYSTEM

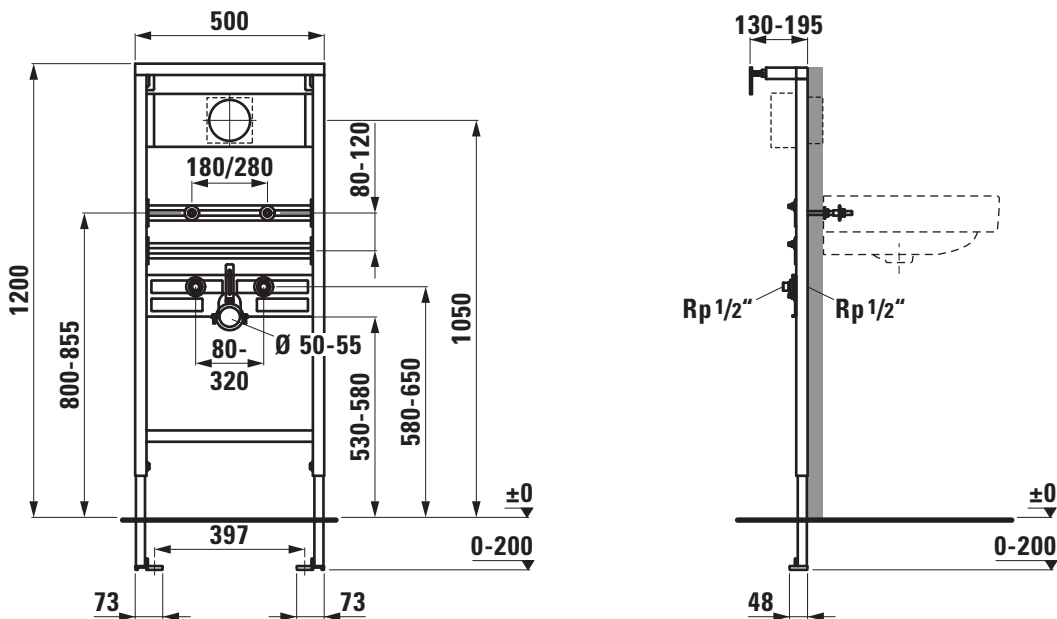
Fastening plate for Simibox light 89266.2



TECHNICAL DATA

Order no.	89266.2	Mounting acc. excl.	Simibox light, order no. 357.4037.000.000
matching for	Concealed frame for washbasin CWB1, order no. 89266.1		357.4038.000.000
Weight	0,5 kg	Colours	Surface powder coated blue
Mounting acc. incl.	Fastening set		

TECHNICAL DRAWINGS / S 1 : 20



LAUFEN INSTALLATION SYSTEM

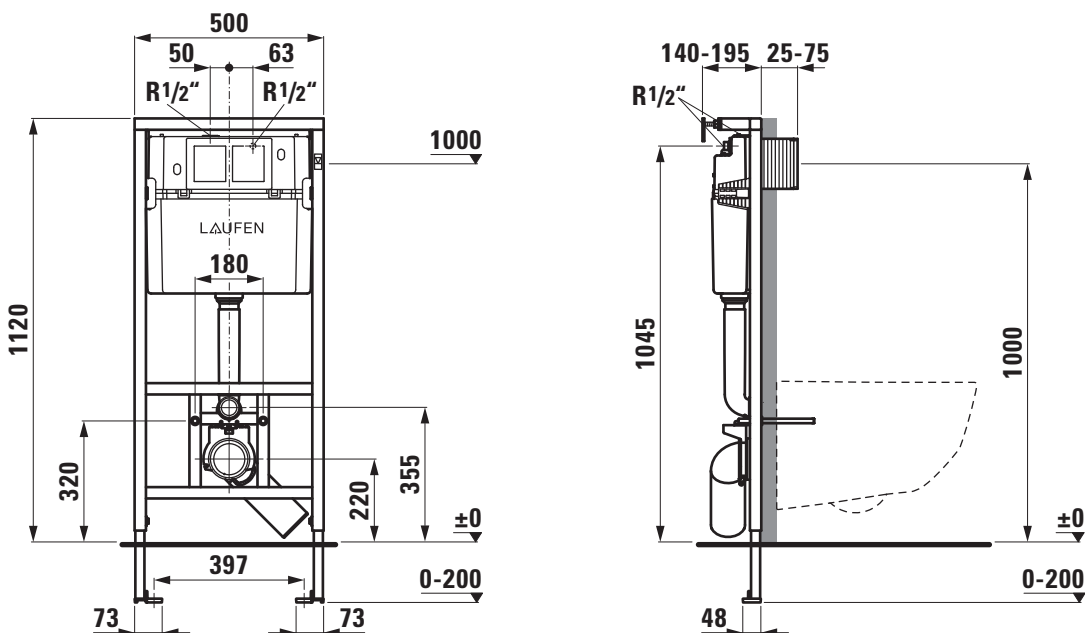
CW1 Concealed frame with cistern for wallhung WC 89466.0



TECHNICAL DATA

Order no.	89466.0	Weight	14,5 kg
Certified to	EN 14055	Mounting acc. incl.	Fastening set to floor and wall, WC connection set, tiling set, protection caps (for WC connection pipes) and protection tubes for M12 threaded rods, angle valve 1/2".
matching for	All LAUFEN wallhung toilets	Mounting acc. excl.	Sound insulation set, order no. 89269.6
Specifications	For mounting in front of a solid or drywall construction, self-supporting, with frontal actuator, with water condensation insulation. Dual-Flush 6/3-l (4,5/3-l-flush). Flush valve with silicon seal. Fill valve with anti-siphon system.	Accessories excl.	Actuator plates dual flush, order no. 89566.1, 89566.2 (stainless steel) Electronic actuator plate dual flush, order no. 89566.3, 89566.4 Support bar for handle and holding systems, order no. 89266.7, 89266.8
Other specifications	Galvanized leg supports, rotatable, height-adjustable 0-200 mm. Supporting frame made of steel profiles. Capable to resist 400 kg	Mounting information	Please note the necessary wall thickness of 80 mm in case of pre-wall installation. Height from finished floor to top of WC pre-set to 400 mm, adjustable between 390-450 mm. System installation is also possible between modular walls (plasterboard).
Water inlet	top or rear R 1/2", brass	Colours	Surface powder coated blue
Outlet	DN 90/110		
Flow pressure range	0.5-10 bar		
Water temperature	max. 25°C		
Tank	Thickness 110 mm, material PP		
Installation depth	140-195 mm		

TECHNICAL DRAWINGS / S 1 : 20



LAUFEN INSTALLATION SYSTEM

CW1

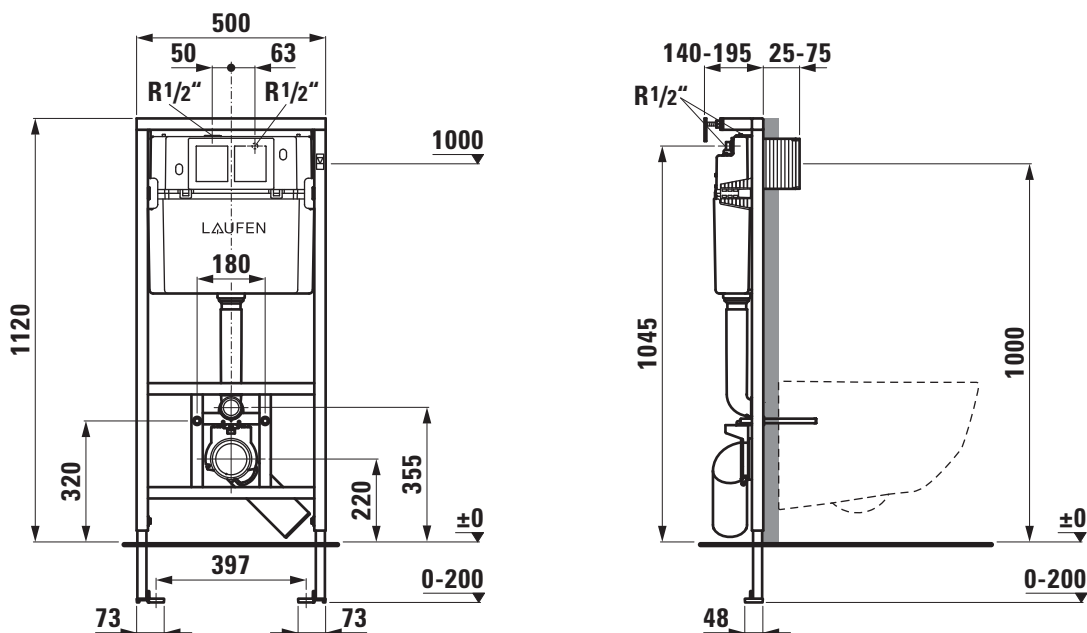
**Concealed frame with 4.5L cistern
for wallhung WC
89466.5**



TECHNICAL DATA

Order no.	89466.5	Weight	14,5 kg
Certified to	EN 14055	Mounting acc. incl.	Fastening set to floor and wall, WC connection set, tiling set, protection caps (for WC connection pipes) and protection tubes for M12 threaded rods, angle valve 1/2".
matching for	All LAUFEN wallhung toilets	Mounting acc. excl.	Sound insulation set, order no. 89269.6
Specifications	For mounting in front of a solid or drywall construction, self-supporting, with frontal actuator, with water condensation insulation. Dual-Flush 4,5/3-l. Flush valve with silicon seal. Fill valve with anti-siphon system.	Accessories excl.	Actuator plates dual flush, order no. 89566.1, 89566.2 (stainless steel) Electronic actuator plate dual flush, order no. 89566.3, 89566.4 Support bar for handle and holding systems, order no. 89266.7, 89266.8
Other specifications	Galvanized leg supports, rotatable, height-adjustable 0-200 mm. Supporting frame made of steel profiles. Capable to resist 400 kg	Mounting information	Please note the necessary wall thickness of 80 mm in case of pre-wall installation. Height from finished floor to top of WC pre-set to 400 mm, adjustable between 390-450 mm. System installation is also possible between modular walls (plasterboard).
Water inlet	top or rear R 1/2", brass	Colours	Surface powder coated blue
Outlet	DN 90/110		
Flow pressure range	0.5-10 bar		
Water temperature	max. 25°C		
Tank	Thickness 110 mm, material PP		
Installation depth	140-195 mm		

TECHNICAL DRAWINGS / S 1 : 20



LAUFEN INSTALLATION SYSTEM

CW2

**Concealed frame with cistern
for wallhung WC
and for shower toilet**

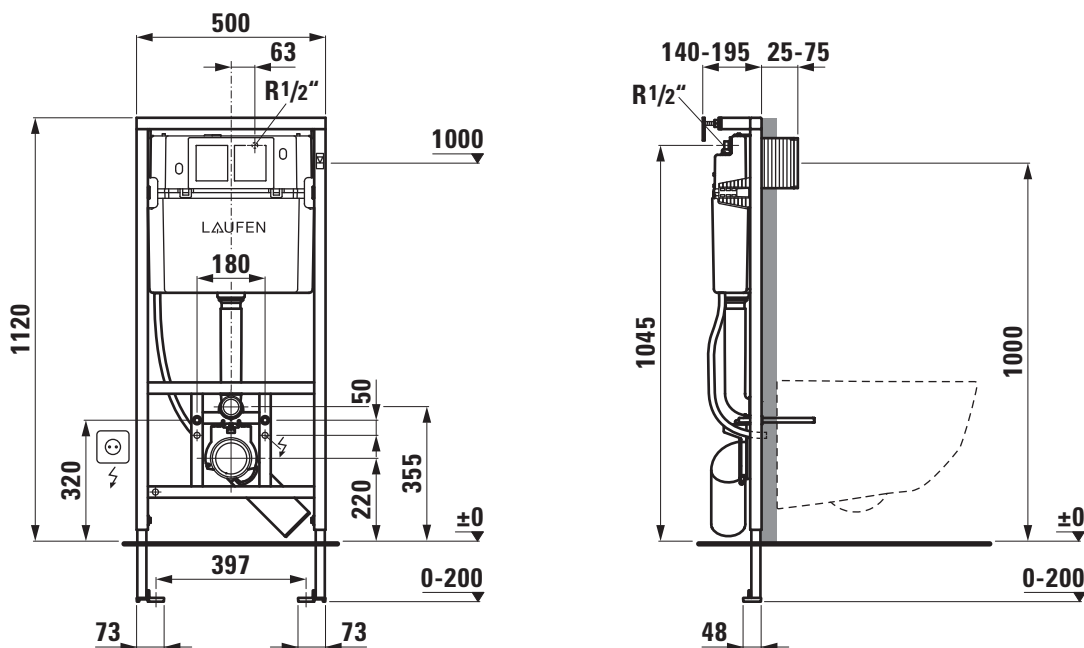
89466.1



TECHNICAL DATA

Order no.	89466.1	Installation depth	140-195 mm
Certified to	EN 14055	Weight	14,5 kg
matching for	All LAUFEN wallhung toilets, also suitable for LAUFEN wallhung shower toilets	Mounting acc. incl.	Fastening set to floor and wall, WC connection set, tiling set, protection caps (for WC connection pipes) and protection tubes for M12 threaded rods, angle valve 1/2".
Specifications	For mounting in front of a solid or drywall con- struction, self-supporting, with frontal actuator, with water condensation insulation. Dual-Flush 6/3-l (4,5/3-l-flush). Flush valve with silicon seal. Fill valve with anti-siphon system.	Mounting acc. excl.	Sound insulation set, order no. 89269.6
Other specifications	Galvanized leg supports, rotatable, height-adjustable 0-200 mm. Supporting frame made of steel profiles. Capable to resist 400 kg	Accessories excl.	Actuator plates dual flush, order no. 89566.1, 89566.2 (stainless steel) Electronic actuator plate dual flush, order no. 89566.3, 89566.4 Support bar for handle and holding systems, order no. 89266.7, 89266.8
Water inlet	rear R 1/2", brass, matching for standard pipe systems	Mounting information	Please note the necessary wall thickness of 80 mm in case of pre-wall installation. Height from finished floor to top of WC pre-set to 400 mm, adjustable between 390-450 mm. System installation is also possible between modular walls (plasterboard).
Outlet	DN 90/110	Colours	Surface powder coated blue
Flow pressure range	0.5-10 bar		
Water temperature	max. 25°C		
Tank	Thickness 110 mm, material PP		

TECHNICAL DRAWINGS / S 1 : 20



LAUFEN

LAUFEN INSTALLATION SYSTEM

CW2

**Concealed frame with 4.5L cistern
for wallhung WC
and for shower toilet**

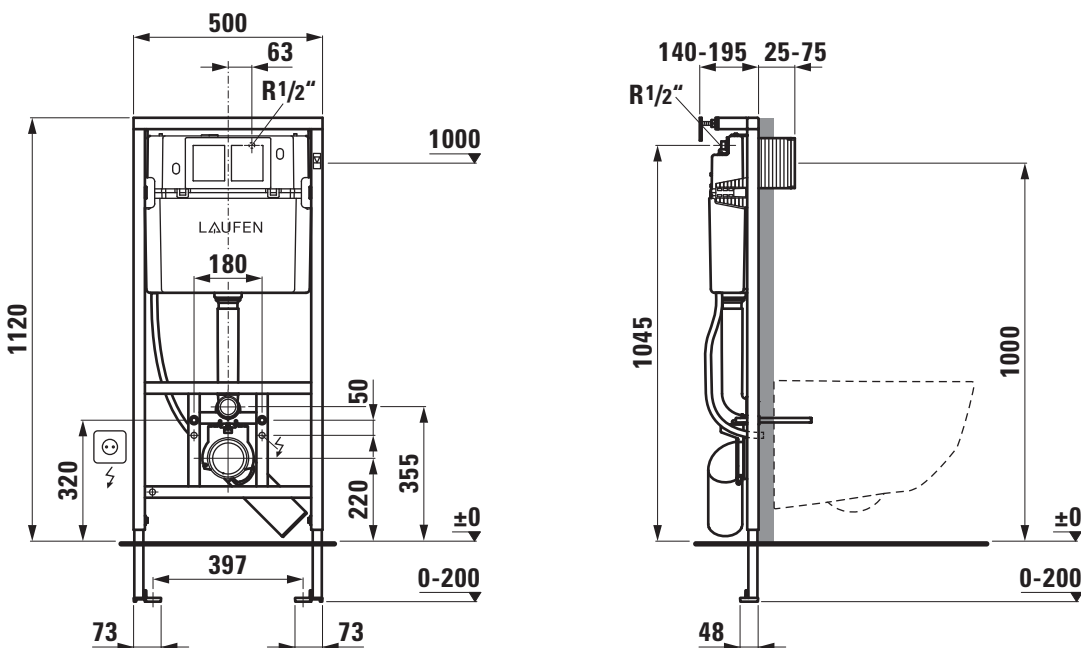
89466.6



TECHNICAL DATA

Order no.	89466.6	Installation depth	140-195 mm
Certified to	EN 14055	Weight	14,5 kg
matching for	All LAUFEN wallhung toilets, also suitable for LAUFEN wallhung shower toilets	Mounting acc. incl.	Fastening set to floor and wall, WC connection set, tiling set, protection caps (for WC connection pipes) and protection tubes for M12 threaded rods, angle valve 1/2".
Specifications	For mounting in front of a solid or drywall con- struction, self-supporting, with frontal actuator, with water condensation insulation. Dual-Flush 4,5/3-l. Flush valve with silicon seal. Fill valve with anti-siphon system.	Mounting acc. excl.	Sound insulation set, order no. 89269.6
Other specifications	Galvanized leg supports, rotatable, height-adjustable 0-200 mm. Supporting frame made of steel profiles. Capable to resist 400 kg	Accessories excl.	Actuator plates dual flush, order no. 89566.1, 89566.2 (stainless steel) Electronic actuator plate dual flush, order no. 89566.3, 89566.4 Support bar for handle and holding systems, order no. 89266.7, 89266.8
Water inlet	rear R 1/2", brass	Mounting information	Please note the necessary wall thickness of 80 mm in case of pre-wall installation. Height from finished floor to top of WC pre-set to 400 mm, adjustable between 390-450 mm. System installation is also possible between modular walls (plasterboard).
Outlet	DN 90/110	Colours	Surface powder coated blue
Flow pressure range	0.5-10 bar		
Water temperature	max. 25°C		
Tank	Thickness 110 mm, material PP		

TECHNICAL DRAWINGS / S 1 : 20



LAUFEN

LAUFEN INSTALLATION SYSTEM

CW3

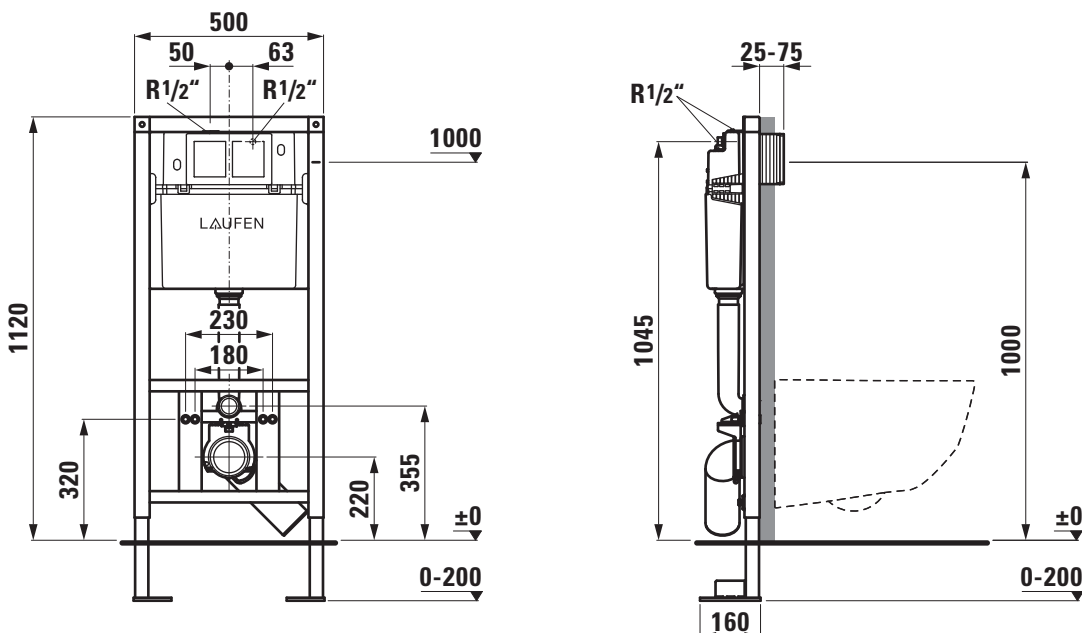
**Concealed self-supporting frame
with cistern
for wallhung WC
89466.2**



TECHNICAL DATA

Order no.	89466.2	Installation depth	160 mm
Certified to	EN 14055	Weight	22,0 kg
matching for	All LAUFEN wallhung toilets	Mounting acc. incl.	Fastening set to floor and wall, WC connection set, tiling set, protection caps (for WC connection pipes) and protection tubes for M12 threaded rods, angle valve 1/2".
Specifications	For self-supporting installation on a drywall construction, support wall is not needed, with frontal actuator, with water condensation insulation. Dual-Flush 6/3-l (4,5/3-l-flush). Flush valve with silicon seal. Fill valve with anti-siphon system.	Accessories excl.	Actuator plates dual flush, order no. 89566.1, 89566.2 (stainless steel) Electronic actuator plate dual flush, order no. 89566.3, 89566.4 Support bar for handle and holding systems, order no. 89266.7, 89266.8
Other specifications	Galvanized leg supports, height-adjustable 0-200 mm. Self-supporting frame made of steel profiles. Capable to resist 400 kg	Mounting information	Please note the necessary wall thickness of 80 mm in case of pre-wall installation. Height from finished floor to top of WC pre-set to 400 mm, adjustable between 390-450 mm. System installation is also possible between modular walls (plasterboard).
Water inlet	top or rear R 1/2", brass	Colours	Surface powder coated blue
Outlet	DN 90/110		
Flow pressure range	0.5-10 bar		
Water temperature	max. 25°C		
Tank	Thickness 110 mm, material PP		

TECHNICAL DRAWINGS / S 1 : 20



LAUFEN INSTALLATION SYSTEM

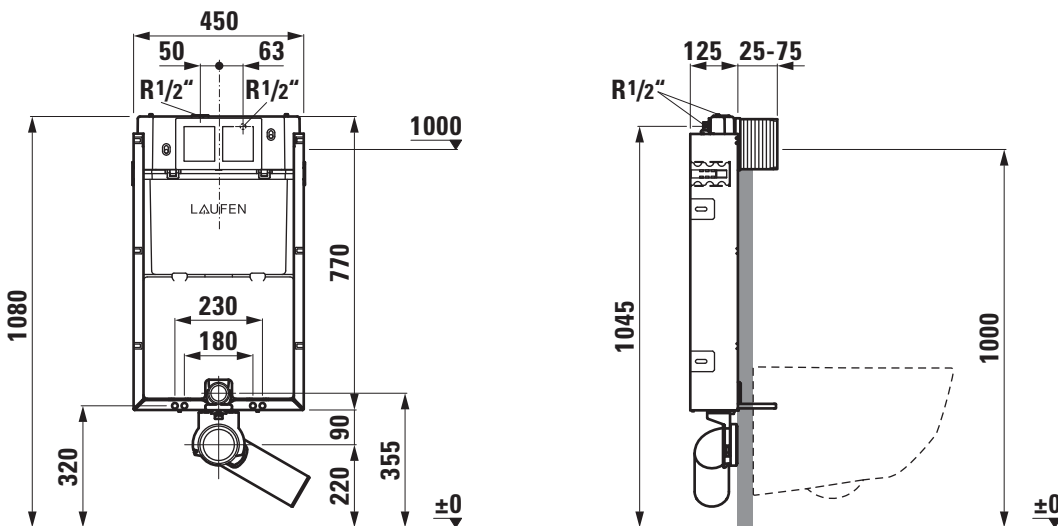
TW1 Concealed frame with cistern for wallhung WC 89466.3



TECHNICAL DATA

Order no.	89466.3	Tank	Thickness 110 mm, material PP
Certified to	EN 14055	Installation depth	125 mm
matching for	All LAUFEN wallhung toilets	Weight	8,5 kg
Specifications	For mounting on brick wall (not suitable for drywall or concrete installation), wall mounting, with frontal actuator, with water condensation insulation. Dual-Flush 6/3-l (4,5/3-l-flush). Flush valve with silicon seal. Fill valve with anti-siphon system.	Mounting acc. incl.	Fastening set for the wall, WC connection set, tiling set, protection caps (for WC connection pipes) and protection tubes for M12 threaded rods, angle valve 1/2".
Other specifications	Galvanized supporting "U-shaped" with fixing points adjustable to the wall. Supporting frame made of steel profiles. Capable to resist 400 kg	Accessories excl.	Actuator plates dual flush, order no. 89566.1, 89566.2 (stainless steel) Electronic actuator plate dual flush, order no. 89566.3, 89566.4
Water inlet	top or rear R 1/2", brass	Mounting information	Please note the necessary wall thickness of 80 mm in case of pre-wall installation. Height from finished floor to top of WC pre-set to 400 mm, adjustable between 390-450 mm. System installation is also possible between modular walls (plasterboard).
Outlet	DN 90/110	Colours	Surface powder coated grey
Flow pressure range	0.5-10 bar		
Water temperature	max. 25°C		

TECHNICAL DRAWINGS / S 1 : 20



LAUFEN INSTALLATION SYSTEM

TW2

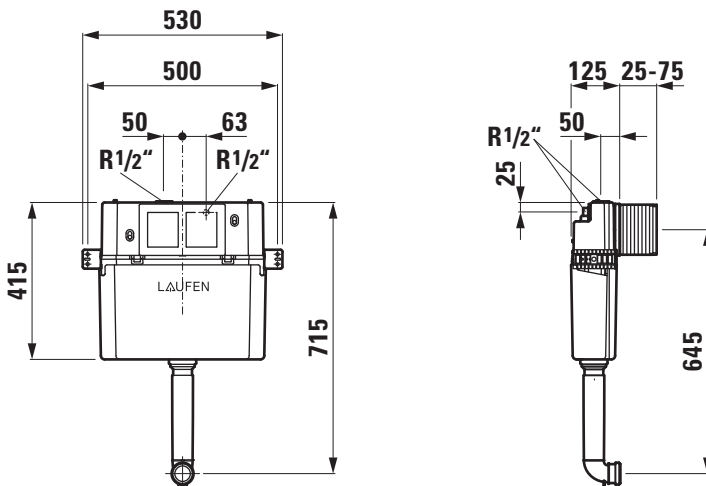
Concealed cistern for floorstanding WC pan 89466.4



TECHNICAL DATA

Order no.	89466.4	Mounting acc. incl.	Fastening set for the wall, WC connection set, tiling set, protection cap (for flush pipe connector) and angle valve 1/2".
Certified to	EN 14055	Accessories excl.	Actuator plates dual flush, order no. 89566.1, 89566.2 (stainless steel) Electronic actuator plate dual flush, order no. 89566.3, 89566.4
matching for	All LAUFEN floorstanding WC pans	Mounting information	Please note the necessary wall thickness of 80 mm in case of pre-wall installation. Height from finished floor to top of WC pre-set to 400 mm, adjustable between 390-450 mm. Height dimension from finished floor to feeding elbow of the toilet flange. System installation is also possible between modular walls (plasterboard).
Specifications	For mounting in front of a solid or drywall construction, concealed installation, with frontal actuator, with water condensation insulation. Dual-Flush 6/3-l (4,5/3-l-flush). Flush valve with silicon seal. Fill valve with anti-siphon system.	Colours	White
Water inlet	top or rear R 1/2", brass		
Flow pressure range	0.5-10 bar		
Water temperature	max. 25°C		
Tank	Thickness 110 mm, material PP		
Installation depth	125 mm		
Weight	3,8 kg		

TECHNICAL DRAWINGS / S 1 : 20



LAUFEN INSTALLATION SYSTEM

AW1 Actuator plate, dual flush

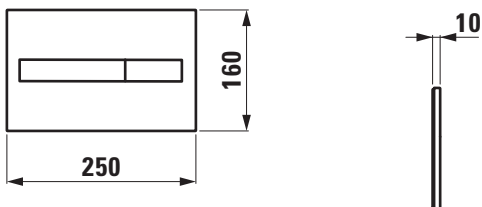
89566.1



TECHNICAL DATA

Order no.	89566.1	Mounting acc. incl.	Support frame
Certified to	ISO 9227:2006, UNE 19.703:2003 (ap.9.2.3)		Fastening set
matching for	All LAUFEN concealed cisterns	Colours	000 – White
Specification	Frontal activation, actuation force below 25 N.		004 – Chrome
Quality material	Plastic		007 – Chrom matt
Weight	0,35 kg		716 – Black matt

TECHNICAL DRAWINGS / S 1 : 10



LAUFEN INSTALLATION SYSTEM

AW2 Inox actuator plate, dual flush

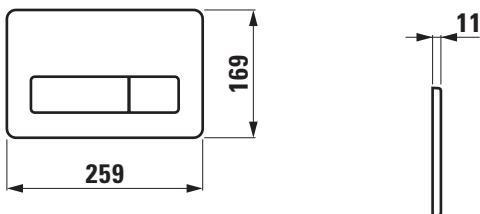
89566.2



TECHNICAL DATA

Order no.	89566.2	Mounting acc. incl.	Support frame
Certified to	ISO 9227:2006, UNE 19.703:2003 (ap.9.2.3)		Fastening set
matching for	All LAUFEN concealed cisterns	Colours	000 – Stainless steel
Specification	Frontal activation, vandal proof, actuation force below 25 N.		
Quality material	Stainless steel		
Weight	0,75 kg		

TECHNICAL DRAWINGS / S 1 : 10



LAUFEN INSTALLATION SYSTEM

AW3 Electronic actuator plate, dual flush

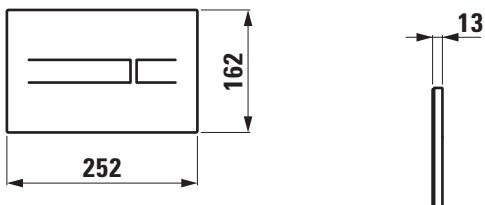
89566.3.000.000.1



TECHNICAL DATA

Order no.	89566.3.000.000.1	Weight	1,0 kg
Certified to	ISO 9227:2006, UNE 19.703:2003 (ap.9.2.3)	Mounting acc. incl.	Support frame
matching for	All LAUFEN concealed cisterns		Fastening set
Specification	Actuator plate Design U, electronic activation with touchless recognition up to 4cm. Adjustable hygienic rinse all 24h. Adjustable acoustic signal when activating the flush. Adjustable flush volume. Actuator buttons identifiable by light. Button illumination activated when approached. External power supply (to be ordered separately). Low-noise lifting mechanism.	Mounting acc. excl.	Electronic control 100-230 V, 50-60Hz, order no. 89866.0
Quality material	Glass	Colours	000 – Glass white

TECHNICAL DRAWINGS / S 1 : 10



LAUFEN INSTALLATION SYSTEM

AW3 Electronic actuator plate, dual flush

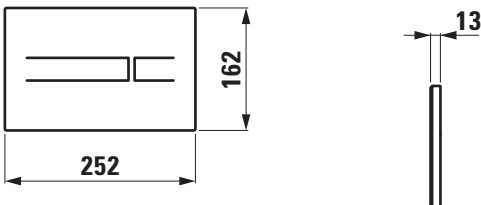
89566.3.020.000.1



TECHNICAL DATA

Order no.	89566.3.020.000.1	Weight	1,0 kg
Certified to	ISO 9227:2006, UNE 19.703:2003 (ap.9.2.3)	Mounting acc. incl.	Support frame
matching for	All LAUFEN concealed cisterns		Fastening set
Specification	Actuator plate Design U, electronic activation with touchless recognition up to 4cm. Auto flush, adjustable IR user detection, only available with glass black. Adjustable hygienic rinse all 24h. Adjustable acoustic signal when activating the flush. Adjustable flush volume. Actuator buttons identifiable by light. Button illumination activated when approached. External power supply (to be ordered separately). Low-noise lifting mechanism.	Mounting acc. excl.	Electronic control 100-230 V, 50-60Hz, order no. 89866.0
Quality material	Glass	Colours	020 – Glass black

TECHNICAL DRAWINGS / S 1 : 10



LAUFEN INSTALLATION SYSTEM

AW4 Electronic actuator plate, dual flush

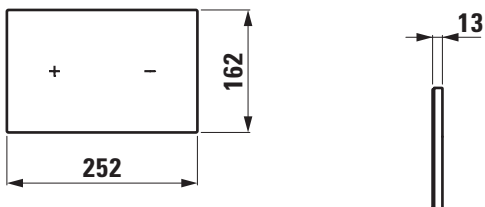
89566.4.000.000.1



TECHNICAL DATA

Order no.	89566.4.000.000.1	Mounting acc. incl.	Support frame
Certified to	ISO 9227:2006, UNE 19.703:2003 (ap.9.2.3)		Fastening set
matching for	All LAUFEN concealed cisterns	Mounting acc. excl.	Electronic control 100-230 V, 50-60Hz, order no. 89866.0
Specification	Actuator plate Design +/-, electronic activation with touchless recognition up to 4cm. Adjustable hygienic rinse all 24h. Adjustable acoustic signal when activating the flush. Adjustable flush volume. Actuator buttons identifiable by light. Button illumination activated when approached. External power supply (to be ordered separately). Low-noise lifting mechanism.	Colours	000 – Glass white
Quality material	Glass		
Weight	1,0 kg		

TECHNICAL DRAWINGS / S 1 : 10



LAUFEN INSTALLATION SYSTEM

AW4 Electronic actuator plate, dual flush

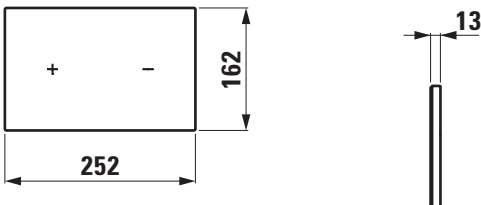
89566.4.020.000.1



TECHNICAL DATA

Order no.	89566.4.020.000.1	Weight	1,0 kg
Certified to	ISO 9227:2006, UNE 19.703:2003 (ap.9.2.3)	Mounting acc. incl.	Support frame
matching for	All LAUFEN concealed cisterns		Fastening set
Specification	Actuator plate Design +/-, electronic activation with touchless recognition up to 4cm. Auto flush, adjustable IR user detection, only available with glass black. Adjustable hygienic rinse all 24h. Adjustable acoustic signal when activating the flush. Adjustable flush volume. Actuator buttons identifiable by light. Button illumination activated when approached. External power supply (to be ordered separately). Low-noise lifting mechanism.	Mounting acc. excl.	Electronic control 100-230 V, 50-60Hz, order no. 89866.0
Quality material	Glass	Colours	020 – Glass black

TECHNICAL DRAWINGS / S 1 : 10



LAUFEN INSTALLATION SYSTEM

CW12

Concealed frame with cistern for wallhung separation toilet

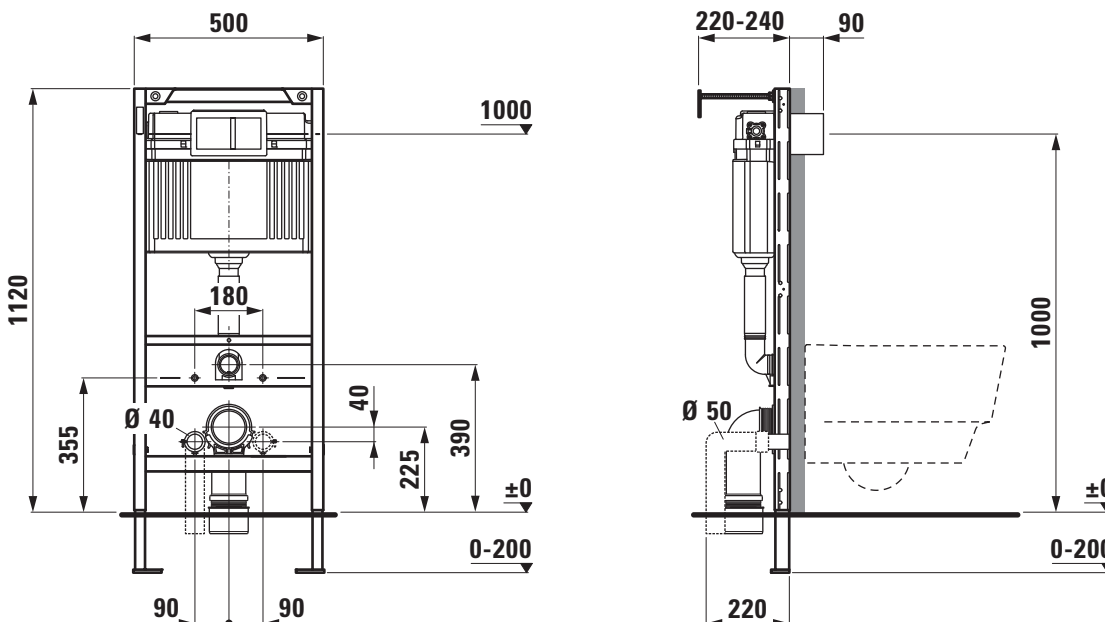
92009.0



TECHNICAL DATA

Order no.	92009.0	Outlet	DN 90/110
Certified to	EN 14055	Outlet urine	DN 40/50, left or right
matching for	wallhung urine-diverting-toilet SAVE!, order no. 82066.2	Flow pressure range	0.5-10 bar
	Installation in conjunction with Laufen installation system CW12 is required for the water drains.	Water temperature	max. 25°C
Specifications	For mounting in metal or wooden post-and-beam structure and pre-wall profile. Uni cistern completely pre-assembled and sealed, for frontal actuator, with water condensation insulation. Dual-Flush 4,5/3-l (7.5/3 l, 6/3 l, 4/2,5-l-flush). Flush valve with silicon seal. Fill valve with anti-siphon system.	Tank	10 liters Flush volume 4,5/3-l (7.5/3 l, 6/3 l, 4/2,5 l)
	Uni cistern completely pre-assembled and sealed, for frontal actuator, with water condensation insulation. Dual-Flush 4,5/3-l (7.5/3 l, 6/3 l, 4/2,5-l-flush). Flush valve with silicon seal. Fill valve with anti-siphon system.	Installation depth	220 mm
Other specifications	Leg supports, height-adjustable 0-200 mm. Supporting frame made of steel profiles for drywall. Capable to resist 400 kg	Weight	14,5 kg
Water inlet	top or side R 1/2", brass	Mounting acc. incl.	Angle valve 1/2", protection set with cover, fixing set and 2x M12 threaded rods, Urine connection pipe DN 40/50 Drain elbow DN 90 and adapter DN 90/110
		Mounting acc. excl.	WC connection set
		Accessories excl.	Flush plates dual flush with front actuation
		Mounting information	Please note the necessary wall thickness of 80 mm in case of pre-wall installation.
		Colours	Surface powder coated
		Divers	compatible with Duofix* system (* Duofix is a registered third-party trademark)

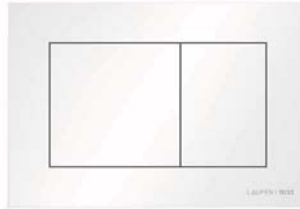
TECHNICAL DRAWINGS / S 1 : 20



LAUFEN INSTALLATION SYSTEM

AW11 Flush plate TECEnow, dual flush

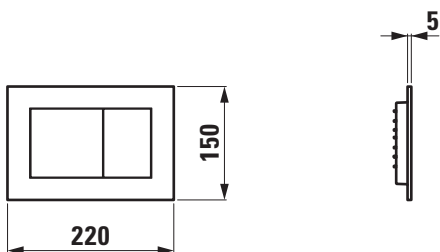
90000.0



TECHNICAL DATA

Order no.	90000.0	Mounting acc. excl.	Installation frame, order no. 97100.6 Spacer frame TECEnow, order no. 97100.0
Dimensions	220 x 150 x 5 mm	Mounting information	Installation frame plus spacer frame are required for flush mounting with the surface.
matching for	Concealed frame for wallhung separation toilet CW12, order no. 92009.0	Colours	000 – White
Specification	Super flat with front actuation For Uni cistern with dual flush system		
Quality material	Plastic		
Weight	0,3 kg		
Mounting acc. incl.	Operating rods Fastening set		

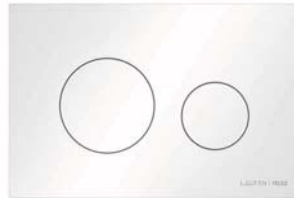
TECHNICAL DRAWINGS / S 1 : 10



LAUFEN INSTALLATION SYSTEM

AW12 Flush plate TECEloop, dual flush

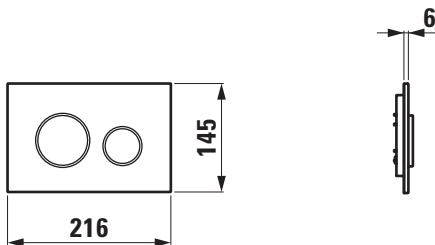
90000.1



TECHNICAL DATA

Order no.	90000.1	Mounting acc. incl.	Operating rods
Dimensions	216 x 145 x 6 mm		Fastening set
matching for	Concealed frame for wallhung separation toilet CW12, order no. 92009.0	Colours	000 – White
Specification	Super flat with front actuation For Uni cistern with dual flush system		
Quality material	Plastic		
Weight	0,3 kg		

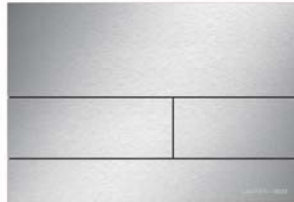
TECHNICAL DRAWINGS / S 1 : 10



LAUFEN INSTALLATION SYSTEM

AW12 Flush plate TECESquare, dual flush

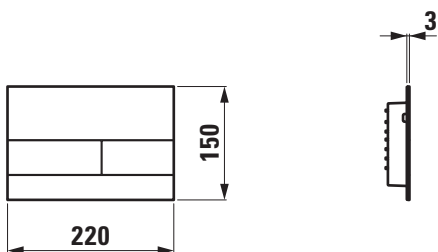
90000.4



TECHNICAL DATA

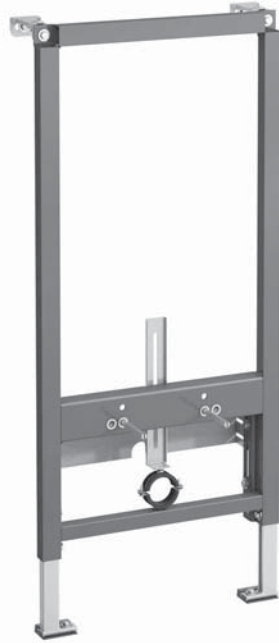
Order no.	90000.4	Mounting acc. incl.	Operating rods
Dimensions	220 x 150 x 3 mm		Fastening set
matching for	Concealed frame for wallhung separation toilet CW12, order no. 92009.0		Disassembly tool
Specification	Extra flat with front actuation For Uni cistern with dual flush system Installation frame integrated	Colours	929 – Brushed stainless steel with anti-fingerprint coating
Quality material	Stainless steel		
Weight	1,0 kg		

TECHNICAL DRAWINGS / S 1 : 10



LAUFEN INSTALLATION SYSTEM

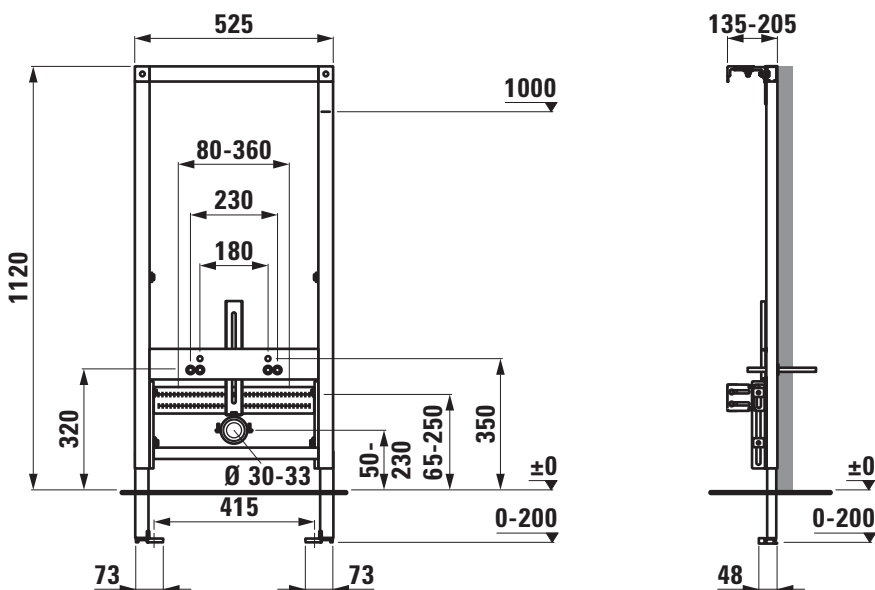
CB1 Concealed frame for wallhung bidet 89266.0



TECHNICAL DATA

Order no.	89266.0	Mounting acc. incl.	Fastening set to floor and wall, fastening set for ceramic and protection tubes for M12 threaded rods.
matching for	All LAUFEN wallhung bidets	Mounting acc. excl.	Sound insulation set, order no. 89269.6
Specifications	For mounting in front of a solid or drywall construction, self-supporting.	Accessories excl.	Support bar for handle and holding systems, order no. 89266.7, order no. 89266.8
Other specifications	Galvanized leg supports, rotatable, height-adjustable 0-200 mm. Supporting frame made of steel profiles. Capable to resist 400 kg	Mounting information	Please note the necessary wall thickness of 80 mm in case of pre-wall installation. Height from finished floor to top of bidet pre-set to 400 mm, adjustable between 390-450 mm. System installation is also possible between modular walls (plasterboard).
Water connection	R 1/2", brass The axial distance is adjustable between 80-360 mm, the height adjustable between 65-250 mm.	Colours	Surface powder coated blue
Installation depth	135-205 mm		
Weight	13,0 kg		

TECHNICAL DRAWINGS / S 1 : 20

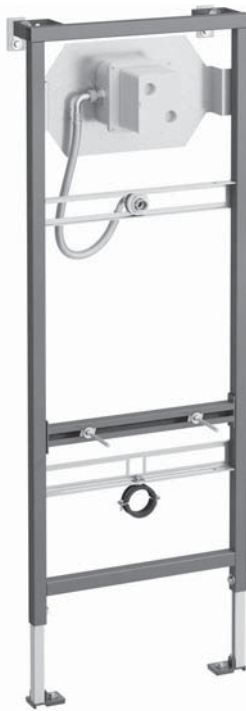


LAUFEN INSTALLATION SYSTEM

CU1

Concealed frame for urinal without integrated control

89266.3

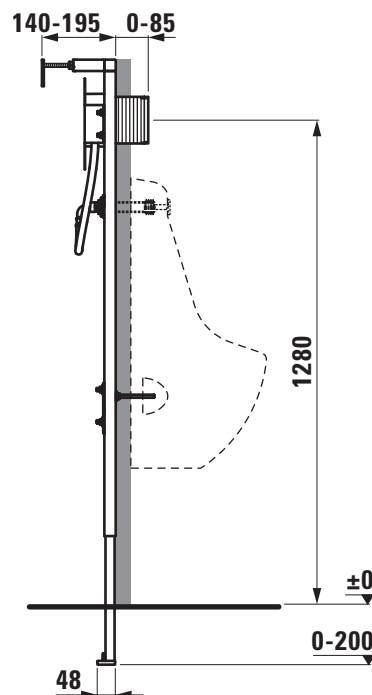
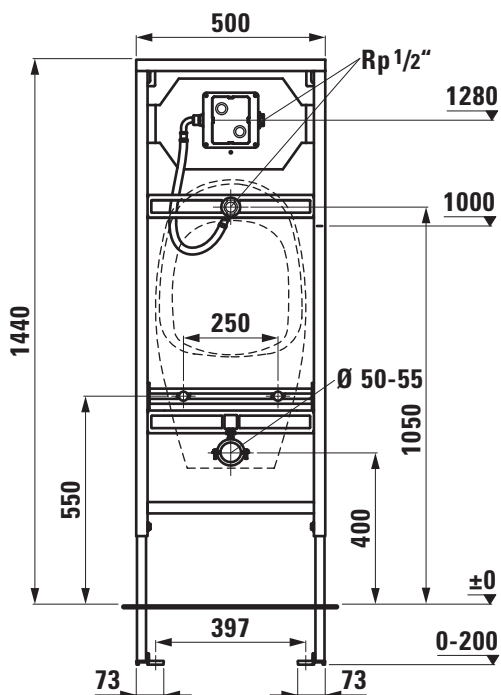


TECHNICAL DATA

Order no.	89266.3
matching for	Urinal TAMARO, order no. 84009.0, TARO-NOVA, order no. 84000.0
Specifications	Self-supporting steel frame for drywall and solid building, for surface and flush installation, pre-assembled with concealed kit LAUFEN SmartControl-U. Connections pre-set to fit TAMARO 84009.0
Other specifications	Galvanized leg supports, rotatable, height-adjustable 0-200 mm. Capable to resist 100 kg
Water connection	right Rp 1/2", brass
Flow pressure range	1-8 bar
Installation depth	140-195 mm
Weight	13,3 kg

Mounting acc. incl.	Shut-off valve, building protection with cover, M8 threaded rod and fastening material.
Mounting acc. excl.	Horizontal inlet connection 1/2", order no. 89900.5 Sound insulation set, order no. 89269.6
Accessories excl.	Front plate with infrared control, mains version with Bluetooth, order no. 370660.004.720.1 battery version 6V, order no. 370660.004.721.1
Mounting information	Please note the necessary wall thickness of 80 mm in case of pre-wall installation. System installation is also possible between modular walls (plaster-board).
Colours	Surface powder coated blue

TECHNICAL DRAWINGS / S 1 : 20



LAUFEN INSTALLATION SYSTEM

CU2

Concealed frame for urinal without integrated control

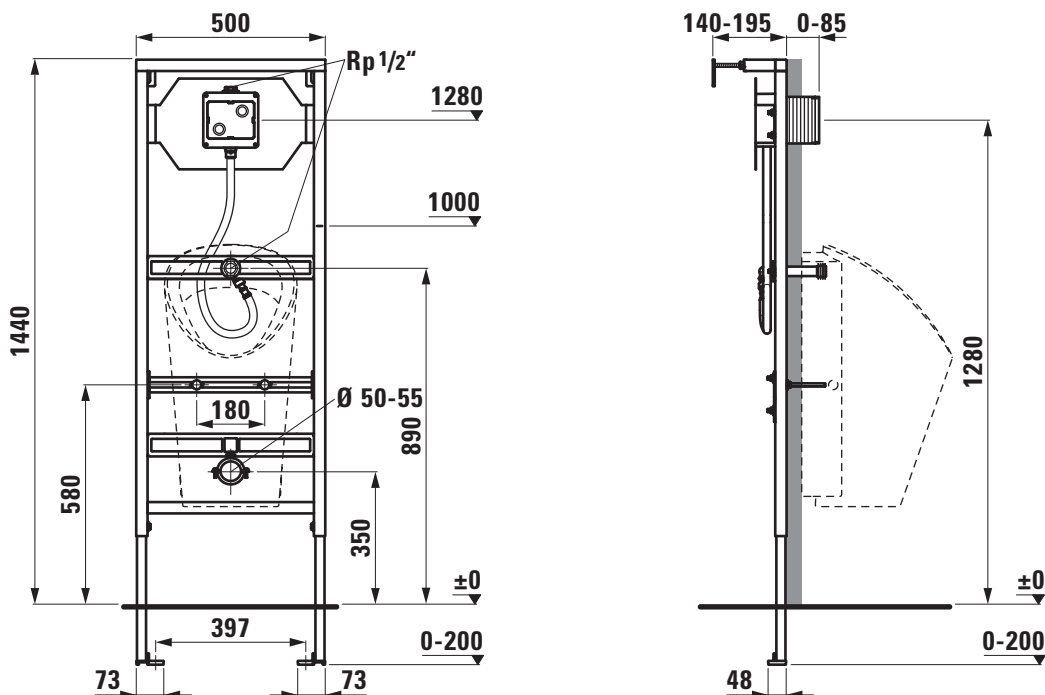
89266.4



TECHNICAL DATA

Order no.	89266.4	Water connection	right Rp 1/2", brass
matching for	Urinal ANTERO, order no. 84115.3, CAPRINO PLUS, order no. 84206.1, CASA, order no. 84014.1, 84014.5, IL BAGNO ALESSI ONE, order no. 84097.1, 84097.5 LEMA, order no. 84019.7, 84119.3 VAL order no. 84028.1, 84028.5 VILA order no. 84114.1, 84114.2	Flow pressure range	1-8 bar
Specifications	Self-supporting steel frame for drywall and solid building, for surface and flush installation, pre-assembled with concealed kit LAUFEN SmartControl-U. Connections pre-set to fit LEMA 84019.7	Installation depth	140-195 mm
Other specifications	Galvanized leg supports, rotatable, height-adjustable 0-200 mm. Capable to resist 100 kg	Weight	13,3 kg
		Mounting acc. incl.	Shut-off valve, inlet connection pipe, building protection with cover, M8 threaded rod and fastening material.
		Mounting acc. excl.	Sound insulation set, order no. 89269.6
		Accessories excl.	Front plate with infrared control, mains version with Bluetooth, order no. 37066.0.004.720.1 battery version 6V, order no. 37066.0.004.721.1
		Mounting information	Please note the necessary wall thickness of 80 mm in case of pre-wall installation. System installation is also possible between modular walls (plaster-board).
		Colours	Surface powder coated blue

TECHNICAL DRAWINGS / S 1 : 20



LAUFEN INSTALLATION SYSTEM

CU3

Concealed frame for urinal with integrated control and for waterless urinal

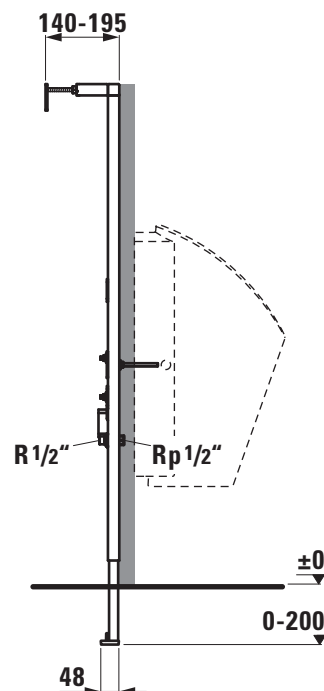
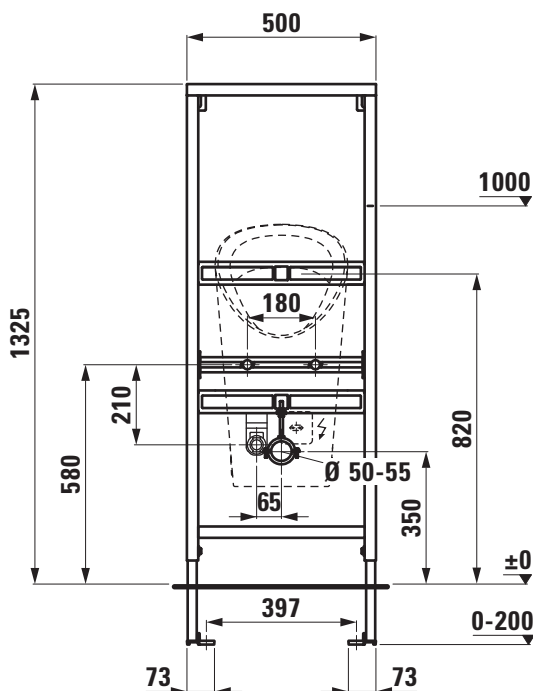
89266.5



TECHNICAL DATA

Order no.	89266.5	Other specifications	Galvanized leg supports, rotatable, height-adjustable 0-200 mm. Capable to resist 100 kg
matching for	Urinal with integrated control ANTERO, order no. 84015.4, 84015.5, 84015.6, 84015.9, 84115.0, 84115.2 CAPRINO PLUS, order no. 84206.5, 84206.6 LEMA, order no. 84019.4, 84019.6, 84019.9, 84119.0, 84119.2 TAMARO-S90, order no. 84010.3, 84010.4, TAMARO-VS NEW, order no. 84112.2, 84112.3, VAL order no. 84028.4, 84028.6 Waterless urinal LEMA order no. 84319.5, 84319.7	Water connection	R 1/2", brass, matching for standard pipe systems
Specifications	Self-supporting steel frame for drywall and solid building, for surface and flush installation. Connections pre-set to fit LEMA 84019.4, 84019.6, 84019.9	Flow pressure range	1-8 bar
		Installation depth	140-195 mm
		Weight	11,5 kg
		Mounting acc. incl.	Building protection with cover, M8 threaded rod and fastening material.
		Mounting acc. excl.	Sound insulation set, order no. 89269.6
		Mounting information	Please note the necessary wall thickness of 80 mm in case of pre-wall installation. System installation is also possible between modular walls (plaster-board).
		Colours	Surface powder coated blue

TECHNICAL DRAWINGS / S 1 : 20



LAUFEN INSTALLATION SYSTEM

SMART CONTROL-U

Urinal flush control

Front plate with infrared sensor

37066.0.004.720.1

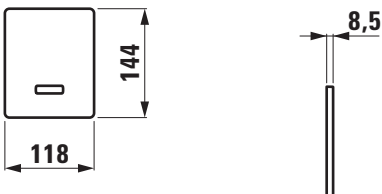
37066.0.004.721.1



TECHNICAL DATA

Order no.	37066.0.004.720.1 (mains version) 37066.0.004.721.1 (battery version)	Quality material	Zinc die-cast, impact resistant
matching for	Concealed frame for urinal, CU1, order no. 89266.3 CU2, order no. 89266.4 Concealed kit for urinal flush control, order no. 37066.0.000.700.1	Weight	0,60 kg
Specification	with IR sensor and IR distance detection with magnetic valve, valve is closed during current interruption, setting data are retained Charge 720 - mains version (230/6V) with Bluetooth module for Mobile App SmartControl (iOS & Android) Charge 721 - for battery operation (6V)	Mounting acc. incl.	Support frame and fastening set Connector IP 64 Charge 720 - power supply 230/6V, Bluetooth Adapter module Charge 721 - battery 6V
		Colours	004 – Chrome

TECHNICAL DRAWINGS / S 1 : 10



LAUFEN INSTALLATION SYSTEM

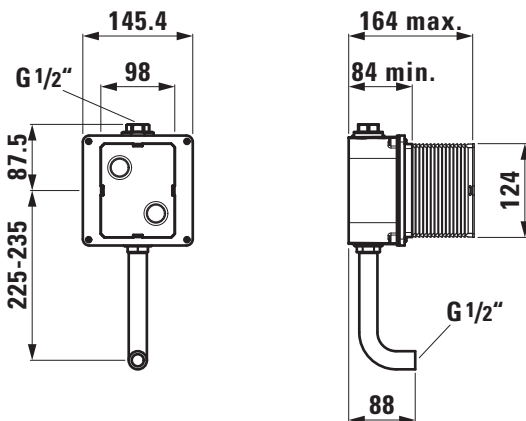
SMART CONTROL-U Concealed kit for urinal flush control 37066.0.000.700.1



TECHNICAL DATA

Order no.	37066.0.000.700.1	Mounting acc. excl.	Horizontal inlet connection 1/2" for urinals without integrated control
matching for	Urinal flush control, order no. 37066.0		TAMARO, TARO-NOVA, order no. 89900.5
Specification	Kit for flush mounting Water section with shut-off valve For urinal without integrated control, wall-mounted, without concealed frame		ANTERO, CAPRINO PLUS, CASA, IL BAGNO ALESSI ONE, LEMA, VILA, order no. 89418.9
Water connection	G 1/2", brass	Accessories excl.	Front plate with infrared control, mains version with Bluetooth, order no. 37066.0.004.720.1 battery version 6V, order no. 37066.0.004.721.1
Installation depth	84-164 mm		
Weight	1,5 kg		
Mounting acc. incl.	Flush mounting housing, rinse plug, inlet connection pipe, building protection with cover and fastening material.		

TECHNICAL DRAWINGS / S 1 : 10



LAUFEN INSTALLATION SYSTEM

CH1

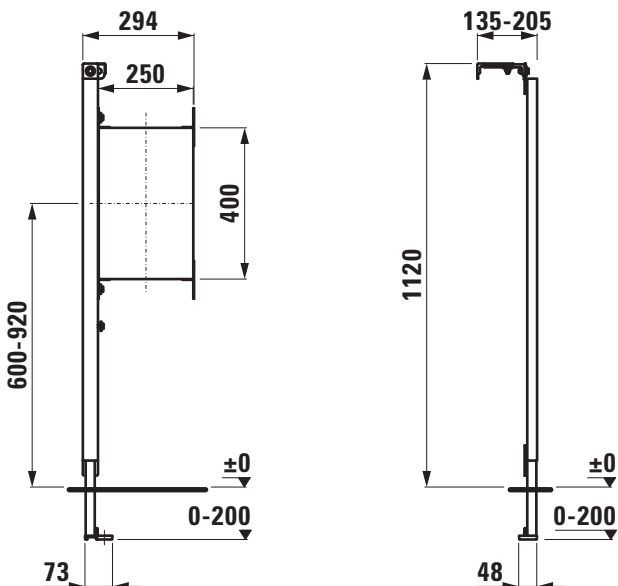
Support bar for handle and holding systems 89266.7



TECHNICAL DATA

Order no.	89266.7	Other specifications	Galvanized leg support, height-adjustable 0-200 mm. Support bar made of steel profile. Capable to resist 100 kg of vertical force and 35 kg of horizontal force.
Certified to	DIN 18024-2, (Support bar ISO 9227, Wood Panel EN 13986)	Installation depth	135-205 mm
matching for	Concealed frame for wallhung WC CW1, order no. 89466.0, 89466.5 CW2, order no. 89466.1, 89466.6 CW3, order no. 89466.2 Concealed frame for wallhung bidet CB1, order no. 89266.0,	Weight	5,0 kg
Specifications	For mounting in front of a solid or drywall construction and also assembled to left side of LIS CW1, CW2, CW3, CB1 (WC / Bidet), self-supporting. The frame includes a wood panel made of pitch pine plywood BFU100, adjustable in height between 600-920 mm	Mounting acc. incl.	Extensible fastening bracket to the wall with fixing kit, fastening set to floor and wall, 2 screws and 2 washers for fixing the frame to the side of the LIS (only concealed frame for wallhung WC or wallhung bidet), 5 screws for installation between modular walls.
		Mounting information	Please note the necessary wall thickness of 80 mm in case of pre-wall installation. Height from finished floor to top of the bar recommended to 850 mm, adjustable to different heights. System installation is also possible between modular walls (plasterboard).
		Colours	Surface powder coated blue (support bar)

TECHNICAL DRAWINGS / S 1 : 20



LAUFEN INSTALLATION SYSTEM

CH2

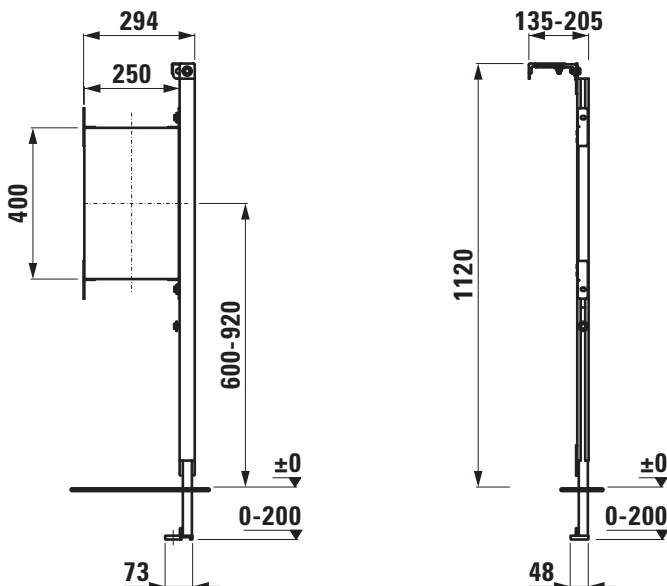
Support bar for handle and holding systems 89266.8



TECHNICAL DATA

Order no.	89266.8	Other specifications	Galvanized leg support, height-adjustable 0-200 mm. Support bar made of steel profile. Capable to resist 100 kg of vertical force and 35 kg of horizontal force.
Certified to	DIN 18024-2, (Support bar ISO 9227, Wood Panel EN 13986)	Installation depth	135-205 mm
matching for	Concealed frame for wallhung WC CW1, order no. 89466.0, 89466.5 CW2, order no. 89466.1, 89466.6 CW3, order no. 89466.2 Concealed frame for wallhung bidet CB1, order no. 89266.0,	Weight	5,0 kg
Specifications	For mounting in front of a solid or drywall construction and also assembled to right side of LIS CW1, CW2, CW3, CB1 (WC / Bidet), self-supporting. The frame includes a wood panel made of pitch pine plywood BFU100, adjustable in height between 600-920 mm	Mounting acc. incl.	Extensible fastening bracket to the wall with fixing kit, fastening set to floor and wall, 2 screws and 2 washers for fixing the frame to the side of the LIS (only concealed frame for wallhung WC or wallhung bidet), 5 screws for installation between modular walls.
		Mounting information	Please note the necessary wall thickness of 80 mm in case of pre-wall installation. Height from finished floor to top of the bar recommended to 850 mm, adjustable to different heights. System installation is also possible between modular walls (plasterboard).
		Colours	Surface powder coated blue (support bar)

TECHNICAL DRAWINGS / S 1 : 20



ACCESSORIES

HOME COLLECTION

SET HOME COLLECTION
Sculpture, SaphirKeramik
BABOON
87026.1



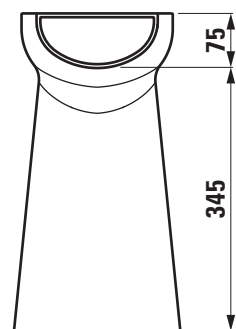
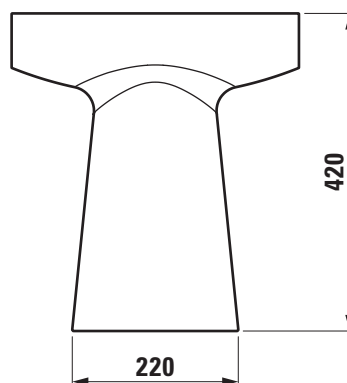
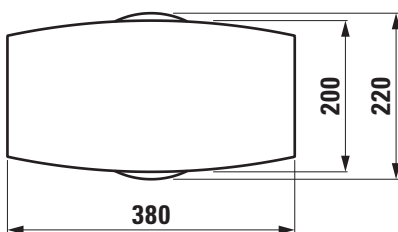
TECHNICAL DATA

Order no.	87026.1
Dimensions	380 x 220 x 420 mm
Specification	may not be used as a seat
Weight	8,0 kg
Colours	see colour table

SPECIFICATION TEXT

Sculpture Laufen-BABOON, SaphirKeramik
dimensions 380 x 220 x 420 mm
may not be used as a seat
Order no. 87026.1

TECHNICAL DRAWINGS / S 1 : 10



SET HOME COLLECTION
Polyhedron, SaphirKeramik
IKOS
87777.1



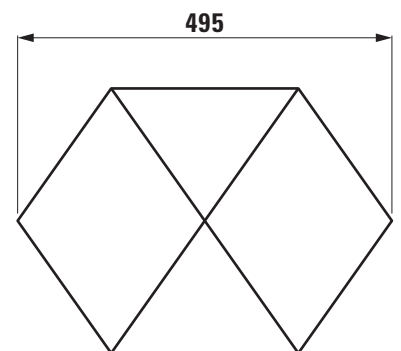
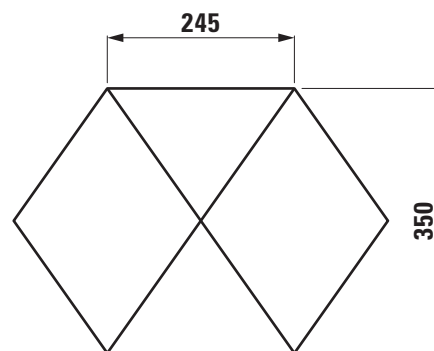
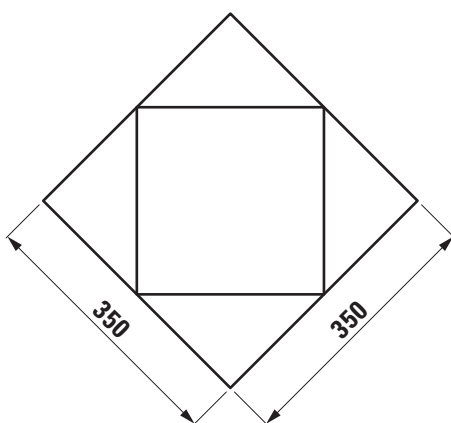
TECHNICAL DATA

Order no.	87777.1
Dimensions	350 x 350 x 350 mm
Specification	Sculpture may not be used as a seat
Weight	10,0 kg
Colours	see colour table

SPECIFICATION TEXT

Polyhedron Laufen-IKOS, SaphirKeramik
 sculpture
 dimensions 350 x 350 x 350 mm
 may not be used as a seat
 Order no. 87777.1

TECHNICAL DRAWINGS / S 1 : 10



SET HOME COLLECTION

Cup, SaphirKeramik

TRIO

87777.4



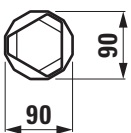
TECHNICAL DATA

Order no.	87777.4
Dimensions	90 x 90 x 105 mm
Specification	suitable for dishwasher
Weight	0,3 kg
Colours	see colour table

SPECIFICATION TEXT

Cup Laufen-TRIO, SaphirKeramik
dimensions 90 x 90 x 105 mm
suitable for dishwasher
Order no. 87777.4

TECHNICAL DRAWINGS / S 1 : 10



SET HOME COLLECTION
Accessories bowl, SaphirKeramik
TRIO
87777.5



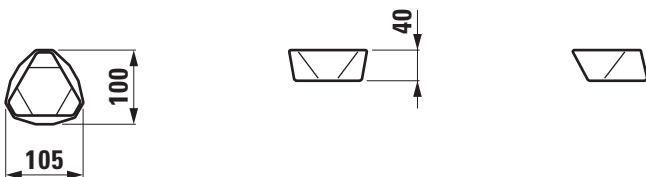
TECHNICAL DATA

Order no.	87777.5
Dimensions	105 x 100 x 40 mm
Specification	suitable for dishwasher
Weight	0,2 kg
Colours	see colour table

SPECIFICATION TEXT

Accessories bowl Laufen-TRIO, SaphirKeramik
dimensions 105 x 100 x 40 mm
suitable for dishwasher
Order no. 87777.5

TECHNICAL DRAWINGS / S 1 : 10



SET HOME COLLECTION
Soap dish, SaphirKeramik
TRIO
87777.6



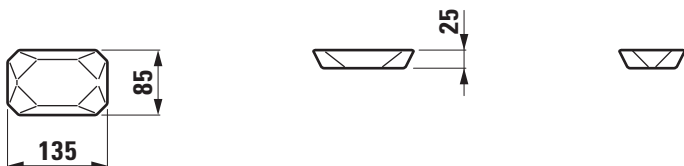
TECHNICAL DATA

Order no.	87777.6
Dimensions	85 x 135 x 25 mm
Specification	suitable for dishwasher
Weight	0,15 kg
Colours	see colour table

SPECIFICATION TEXT

Soap dish Laufen-TRIO, SaphirKeramik
dimensions 85 x 135 x 25 mm
suitable for dishwasher
Order no. 87777.6

TECHNICAL DRAWINGS / S 1 : 10



SET HOME COLLECTION
Storage tray, SaphirKeramik
AURELIO
87777.9



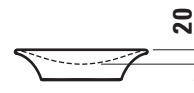
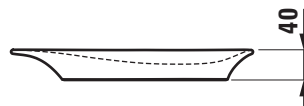
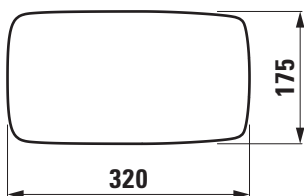
TECHNICAL DATA

Order no.	87777.9
Dimensions	320 x 175 x 40/20 mm
Specification	suitable for dishwasher
Weight	1,5 kg
Colours	see colour table

SPECIFICATION TEXT

Storage tray Laufen-AURELIO, SaphirKeramik
dimensions 320 x 175 x 40/20 mm
suitable for dishwasher
Order no. 87777.9

TECHNICAL DRAWINGS / S 1 : 10



SET HOME COLLECTION
Book holder, SaphirKeramik
LIBRO
87777.8



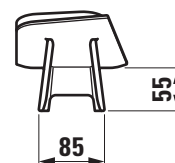
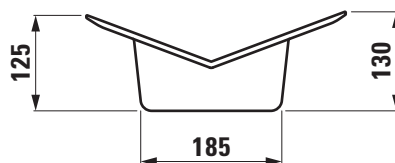
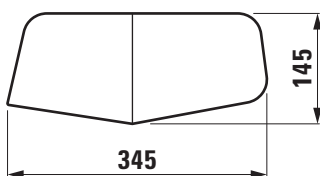
TECHNICAL DATA

Order no.	87777.8
Dimensions	345 x 145 x 125/130 mm
Weight	1,5 kg
Accessories incl.	LAUFEN image book
Colours	see colour table

SPECIFICATION TEXT

Book holder Laufen-LIBRO, SaphirKeramik
dimensions 345 x 145 x 125/130 mm
including LAUFEN image book
Order no. 87777.8

TECHNICAL DRAWINGS / S 1 : 10



LIVING SQUARE / PALACE

SET LIVING SQUARE / PALACE

Ceramic Shelf / cutable

87043.3



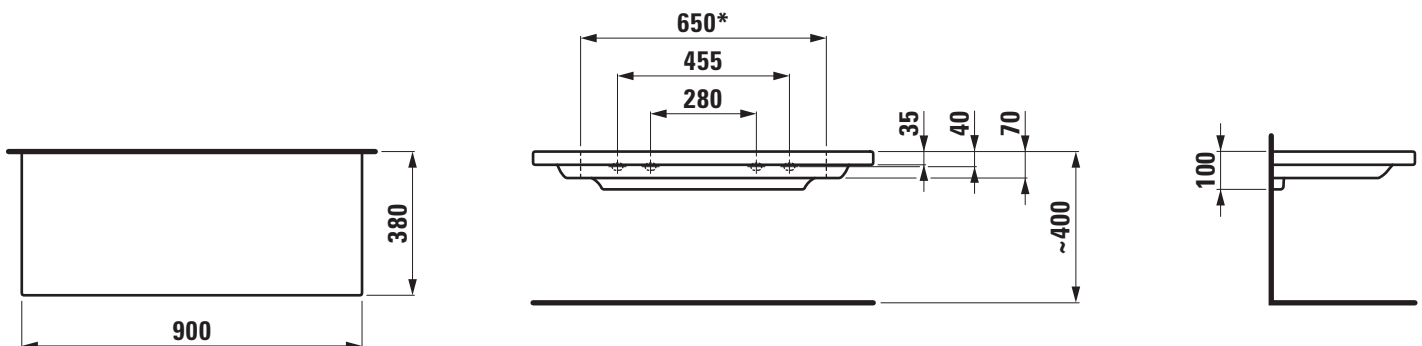
TECHNICAL DATA

Order no.	87043.3
Dimensions	900 x 380 mm
Specification	max. load 50 kg Cuttable to 650 mm
Weight	16,5 kg
Mounting acc. excl.	2x Mounting set M10 x 140 mm, order no. 89988.2
Otherwise	When ordering the cut version use the order form for cutting
Colours	see colour table

SPECIFICATION TEXT

Cutable ceramic shelf Laufen-LIVING SQUARE / PALACE, sanitary ceramic
dimensions 900 x 380mm
max. load 50 kg
Special feature: cuttable to 650 mm
Order no. 87043.3

TECHNICAL DRAWINGS / S 1 : 20



* = minimum measure for cutting

SET LIVING SQUARE / PALACE

Ceramic Shelf / cutable

87043.4



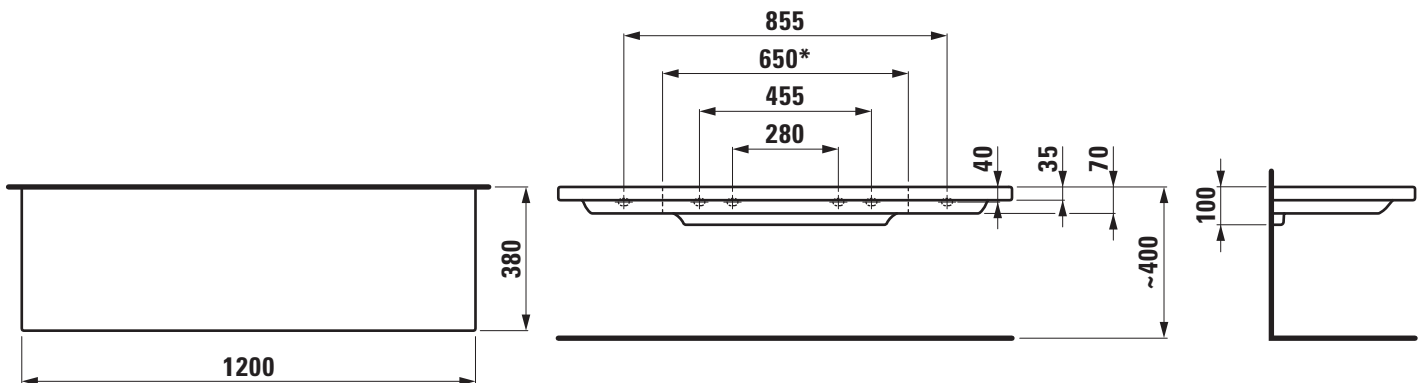
TECHNICAL DATA

Order no.	87043.4
Dimensions	1200 x 380 mm
Specification	max. load 50 kg Cutable to 650 mm
Weight	18,5 kg
Mounting acc. excl.	3x Mounting set M10 x 140 mm, order no. 89988.2
Otherwise	When ordering the cut version use the order form for cutting
Colours	see colour table

SPECIFICATION TEXT

Cutable ceramic shelf Laufen-LIVING SQUARE / PALACE, sanitary ceramic
dimensions 1200 x 380 mm
max. load 50 kg
Special feature: cutable to 650 mm
Order no. 87043.4

TECHNICAL DRAWINGS / S 1 : 20



* = minimum measure for cutting

SET LIVING SQUARE / PALACE

Ceramic Shelf / cutable

87043.5



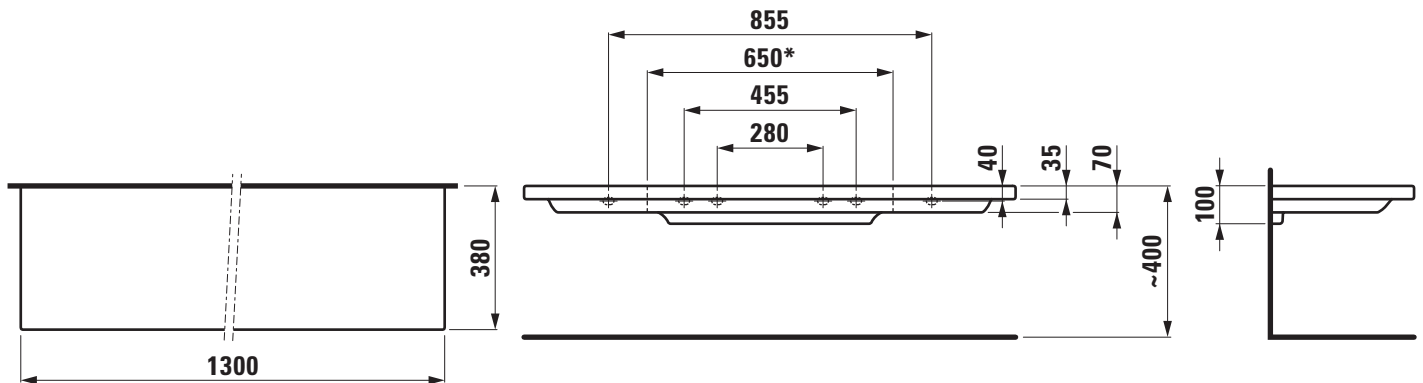
TECHNICAL DATA

Order no.	87043.5
Dimensions	1300 x 380 mm
Specification	max. load 50 kg Cutable to 650 mm
Weight	20,0 kg
Mounting acc. excl.	3x Mounting set M10 x 140 mm, order no. 89988.2
Otherwise	When ordering the cut version use the order form for cutting
Colours	see colour table

SPECIFICATION TEXT

Cutable ceramic shelf Laufen-LIVING SQUARE / PALACE, sanitary ceramic
dimensions 1300 x 380 mm
max. load 50 kg
Special feature: cutable to 650 mm
Order no. 87043.5

TECHNICAL DRAWINGS / S 1 : 20



* = minimum measure for cutting

SET LIVING SQUARE / PALACE

Ceramic Shelf / cutable

87043.6



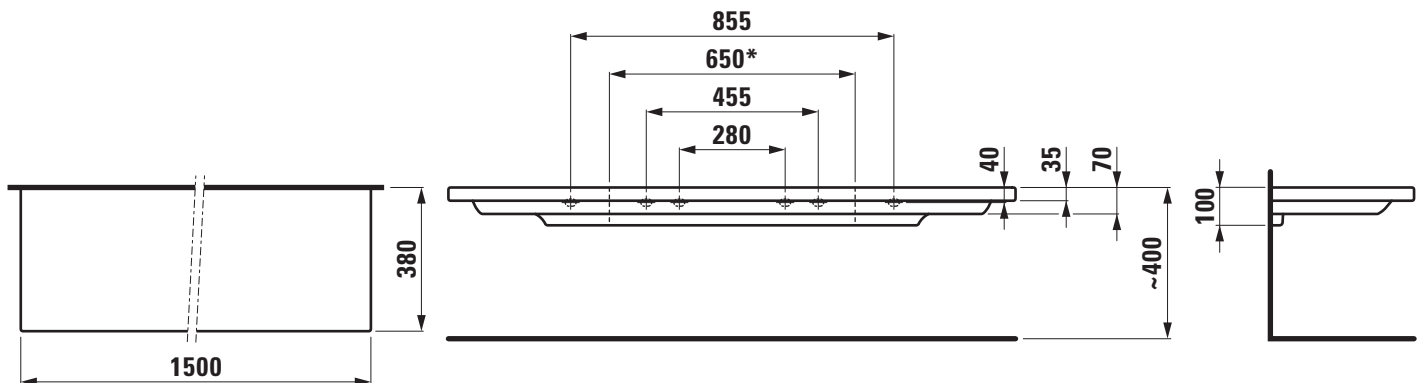
TECHNICAL DATA

Order no.	87043.6
Dimensions	1500 x 380 mm
Specification	max. load 50 kg Cutable to 650 mm
Weight	24,0 kg
Mounting acc. excl.	3x Mounting set M10 x 140 mm, order no. 89988.2
Otherwise	When ordering the cut version use the order form for cutting
Colours	see colour table

SPECIFICATION TEXT

Cutable ceramic shelf Laufen-LIVING SQUARE / PALACE, sanitary ceramic
dimensions 1500 x 380 mm
max. load 50 kg
Special feature: cutable to 650 mm
Order no. 87043.6

TECHNICAL DRAWINGS / S 1 : 20



* = minimum measure for cutting

ACCESSORIES
Ceramic shelf
MODERNAPLUS
87154.1



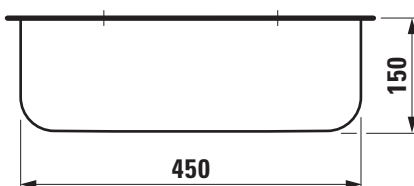
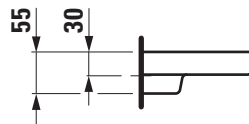
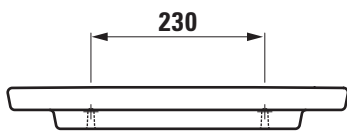
TECHNICAL DATA

Order no.	87154.1
Dimensions	450 x 150 mm
Weight	3,0 kg
Mounting acc. incl.	Fixing set, order no. 89852.6
Colours	see colour table

SPECIFICATION TEXT

Shelf Laufen-MODERNAPLUS, sanitary ceramic
dimensions 450 x 150 x 55 mm
Further options: Surface refinement LCC (only white)
Order no. 87154.1

TECHNICAL DRAWINGS / S 1 : 10



ACCESSORIES
Ceramic shelf
MODERNAPLUS
87154.4



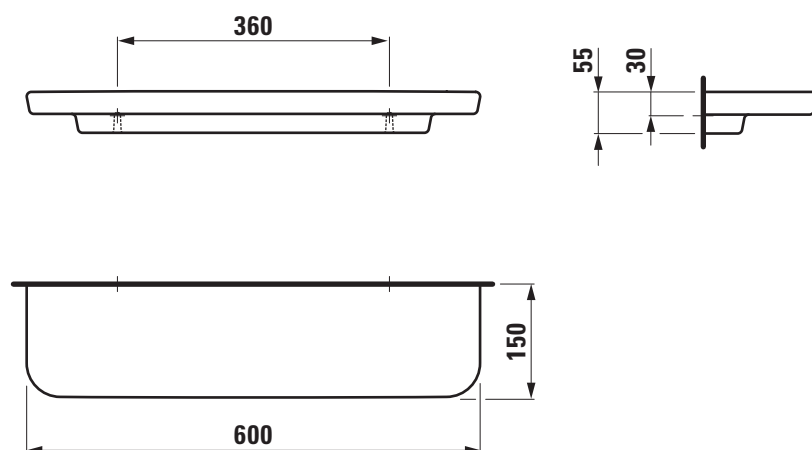
TECHNICAL DATA

Order no.	87154.4
Dimensions	600 x 150 mm
Weight	4,0 kg
Mounting acc. incl.	Fixing set, order no. 89852.6
Colours	see colour table

SPECIFICATION TEXT

Shelf Laufen-MODERNAPLUS, sanitary ceramic
dimensions 600 x 150 x 55 mm
Further options: Surface refinement LCC (only white)
Order no. 87154.4

TECHNICAL DRAWINGS / S 1 : 10



UNIVERSAL



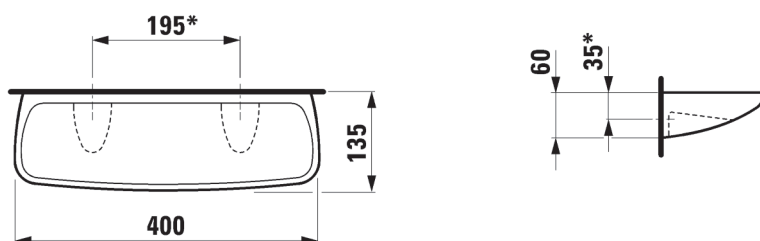
TECHNICAL DATA

Order no.	87025.0
Dimensions	400 x 135 mm
Weight	2,0 kg
Colours	see colour table

SPECIFICATION TEXT

Shelf Laufen-UNIVERSAL, sanitary ceramic
 dimensions 400 x 135 x 60 mm
 Order no. 87025.0

TECHNICAL DRAWINGS / S 1 : 10



* = The exact measure must be determined at the installation.



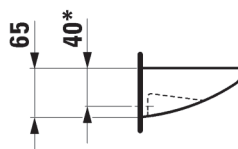
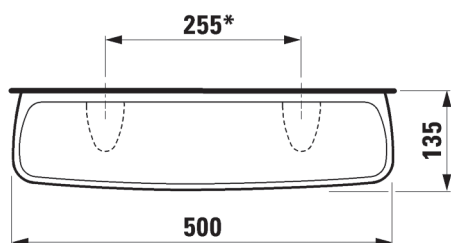
TECHNICAL DATA

Order no.	87025.2
Dimensions	500 x 135 mm
Weight	3,4 kg
Colours	see colour table

SPECIFICATION TEXT

Shelf Laufen-UNIVERSAL, sanitary ceramic
dimensions 500 x 135 x 65 mm
Order no. 87025.2

TECHNICAL DRAWINGS / S 1 : 10



* = The exact measure must be determined at the installation.



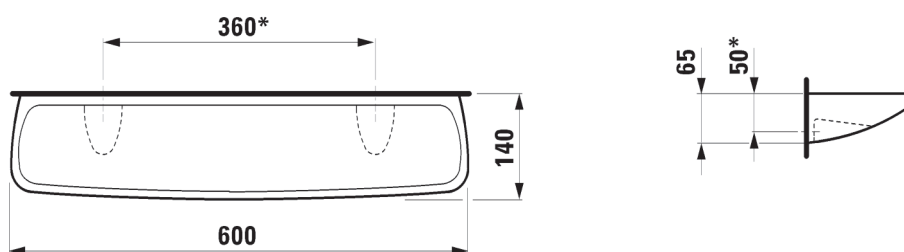
TECHNICAL DATA

Order no.	87025.4
Dimensions	600 x 140 mm
Weight	3,4 kg
Colours	see colour table

SPECIFICATION TEXT

Shelf Laufen-UNIVERSAL, sanitary ceramic
dimensions 600 x 140 x 65 mm
Order no. 87025.4

TECHNICAL DRAWINGS / S 1 : 10



* = The exact measure must be determined at the installation.



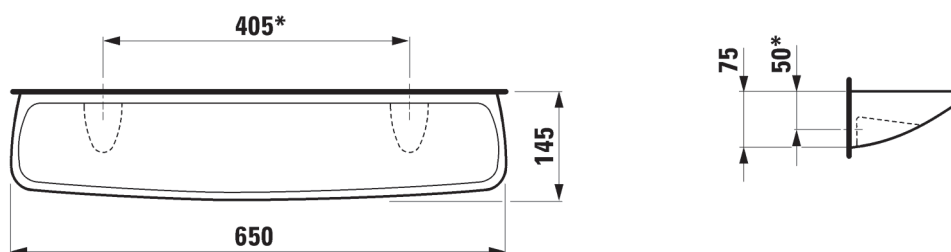
TECHNICAL DATA

Order no.	87025.5
Dimensions	650 x 145 mm
Weight	3,7 kg
Colours	see colour table

SPECIFICATION TEXT

Shelf Laufen-UNIVERSAL, sanitary ceramic
 dimensions 650 x 145 x 75 mm
 Order no. 87025.5

TECHNICAL DRAWINGS / S 1 : 10



* = The exact measure must be determined at the installation.

ACCESSORIES
Toilet roll holder
UNIVERSAL
87261.0



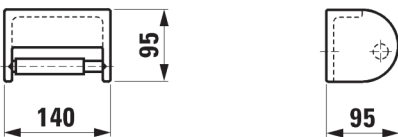
TECHNICAL DATA

Order no.	87261.0
Dimensions	140 x 95 mm
Weight	0,8 kg
Mounting acc.	included
Colours	see colour table

SPECIFICATION TEXT

Toilet roll holder Laufen-UNIVERSAL, sanitary ceramic
dimensions 140 x 95 mm
Order no. 87261.0

TECHNICAL DRAWINGS / S 1 : 10



ACCESSORIES

Toilet brush holder UNIVERSAL 87368.0



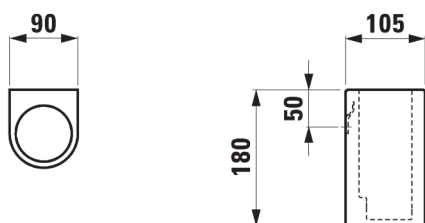
TECHNICAL DATA

Order no.	87368.0
Dimensions	90 x 105 x 180 mm
Weight	1,1 kg
Mounting acc.	included
Colours	see colour table

SPECIFICATION TEXT

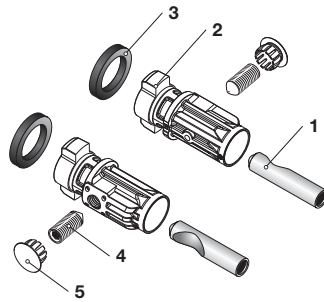
Toilet brush holder Laufen-UNIVERSAL, sanitary ceramic
dimensions 90 x 105 x 180 mm
Order no. 87368.0

TECHNICAL DRAWINGS / S 1 : 10



FASTENING SETS

FASTENING SET
laufen EasyFit system M12
89282.5



TECHNICAL DATA

Order no.	89282.5
matching for	Freestanding washbasin Kartell by Laufen, order no. 81133.1

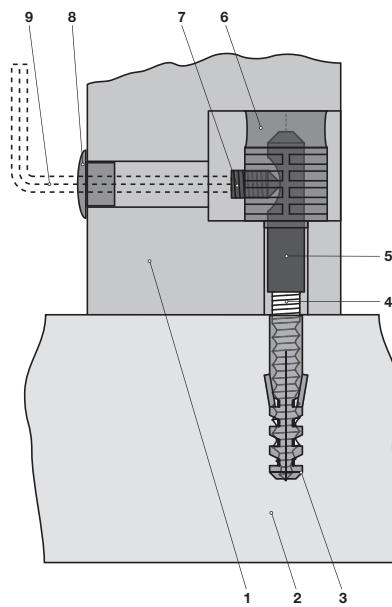
DESCRIPTION

1. Threaded cap
2. Main part
3. Rubber ring
4. Hexagonal screw
5. Cap

FASTENING SET

Fixing set M10

89280.6



TECHNICAL DATA

Order no.	89280.6
matching for	freestanding Washbasin
	Il Bagno Alessi One, order no. 81197.2
	Palomba Collection, order no. 81180.3

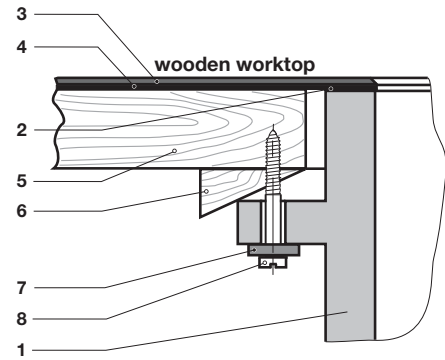
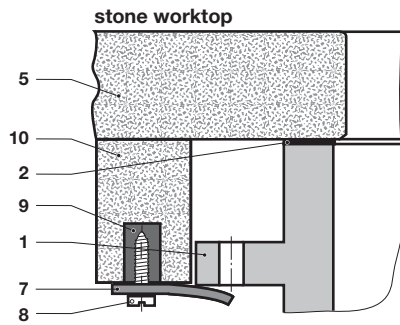
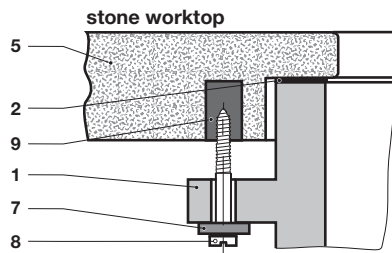
DESCRIPTION

1. Washbasin
2. Floor
3. Anchor (not included)
4. Stone screw fixing set M10
5. Threaded cap
6. Cap Container (Black Box)
7. Hexagonal screw
8. Cap
9. Allen key

FASTENING SET

Fixing set for built in basin

89904.0



TECHNICAL DATA

Order no.	89904.0
matching to	Built in basins
	Birova, order no. 81119.1
	Bijou, order no. 81122.0, 81123.0, 81124.0
	Savoy, order no. 81319.2

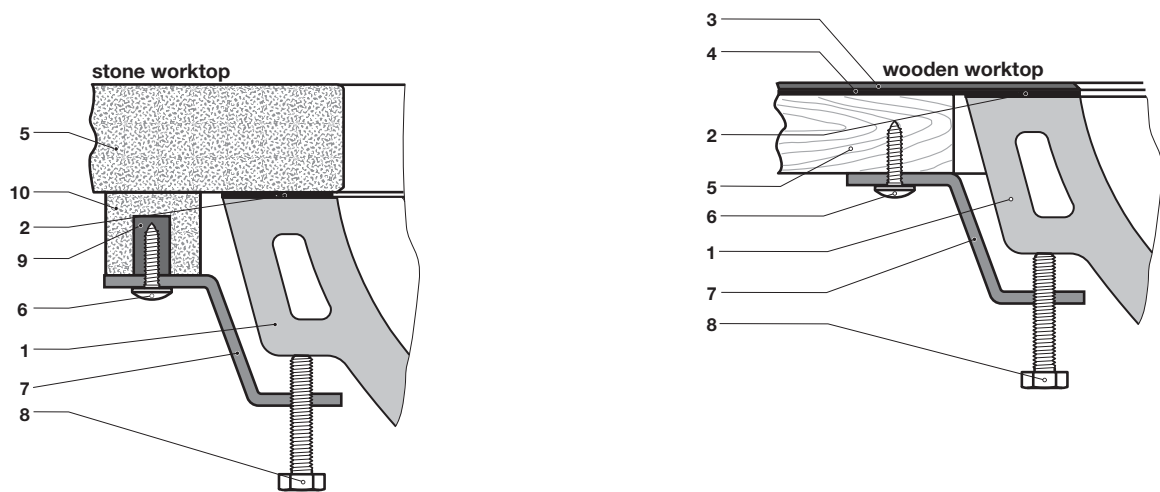
DESCRIPTION

1. Vanity basin
2. Silicon caoutchouc
3. Syntetic resin top
4. Syntetic resin adhesive
5. Worktop
6. Wooden wedge
7. Tension clip
8. Wood screw
9. Dowelling paste
10. Pastened stone

FASTENING SET

Fixing set for built in basin

89296.3



TECHNICAL DATA

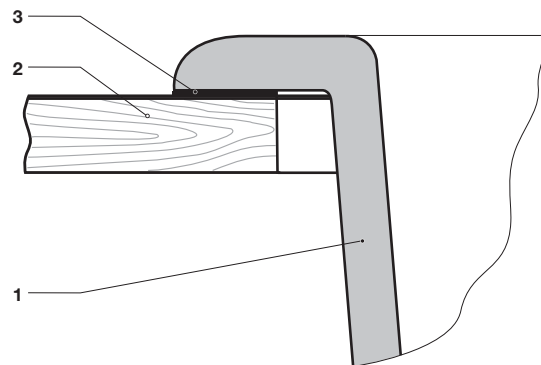
Order no.	89296.3
matching for	Built in basins Laufen Pro, order no. 81896.1, 81896.2 Laufen Pro S, order no. 81196.0, 81196.1, 81196.3, 81196.5, 81196.6, 81196.8, 81196.9 Living City, order no. 81243.0, 81243.1, 81243.2, 81243.4, 81343.8, 81343.9

DESCRIPTION

1. Vanity basin
2. Silicon caoutchouc
3. Syntetic resin top
4. Syntetic resin adhesive
5. Worktop
6. Wood screw
7. Fixing part
8. Adjusting screw
9. Dowelling paste
10. Pastened stone

FASTENING SET

Mounting indication



TECHNICAL DATA

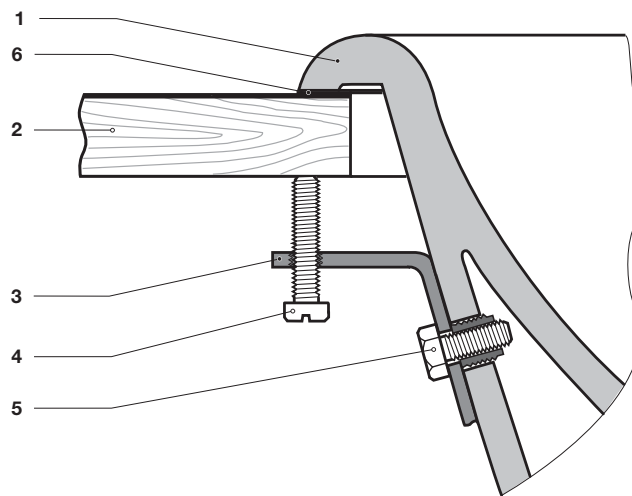
matching for	Drop in basin Indova, order no. 81139.1, 81139.2 Ino, order no. 81730.1, 81730.2 Laufen Pro, order no. 81395.1, 81396.1 Laufen Pro S, order no. 81896.3 Val, order no. 81728.1
--------------	---

DESCRIPTION

1. Vanity basin
2. Worktop
3. Silicon caoutchouc

FASTENING SET

Fixing set
89909.0



TECHNICAL DATA

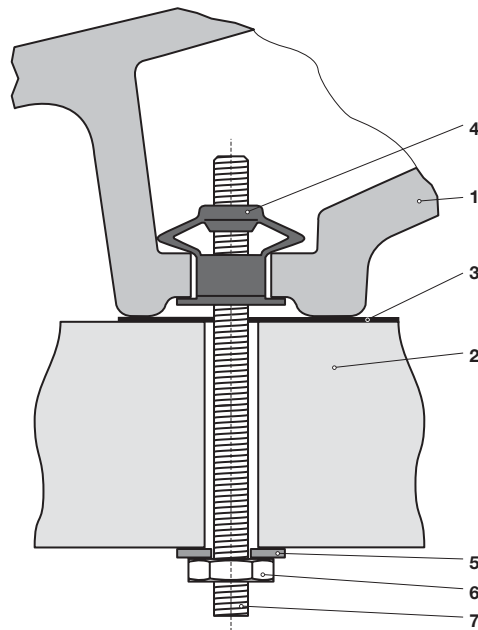
Order no.	89909.0
matching for	Semi recessed basin
	Laufen Pro, order no. 81295.1, 81296.1
	Living City, order no. 81343.1, 81343.2

DESCRIPTION

1. Vanity basin
2. Worktop
3. Fixing part
4. Adjusting screw
5. Hexagonal screw with plug
6. Silicon caoutchouc

FASTENING SET

Fixing set 89194.0



TECHNICAL DATA

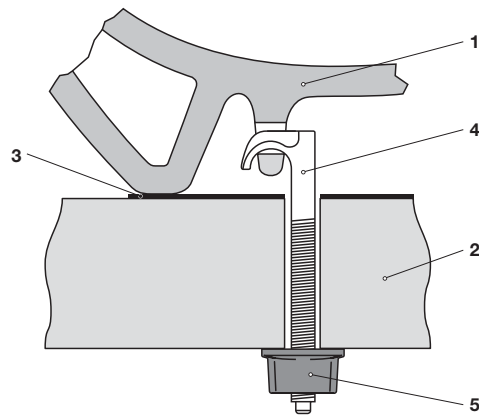
Order no.	89194.0
matching for	Washbasin bowl Il Bagno Alessi One, order no. 81197.3, 81897.1, 81897.2 Laufen Pro S, order no. 81295.2, 81295.3, 81695.2 Living City, order no. 81143.0, 81143.1, 81143.2 Palomba Collection, order no. 81680.1
	Washbasin Laufen Pro, order no. 81195.2, 81795.1, 81795.2, 81795.3 Laufen Pro S, order no. 81696.2, 81696.3, 81696.4, 81696.5, 81696.6, 81696.7, 81795.8, 81795.9 Living City, order no. 81743.2, 81743.4, 81743.7, 81843.8 Moderna R, order no. 81654.2, 81654.3, 81654.5 Sonar, order no. 81634.2, 81634.7 Val, order no. 81628.2, 81628.3, 81628.4, 81628.5, 81628.7, 81628.8, 81728.5
	Small washbasin Living City, order no. 81543.3 Laufen Pro S, order no. 81696.1 Val, order no. 81628.0

DESCRIPTION

1. Washbasin bowl / Washbasin
2. Worktop
3. Silicon caoutchouc
4. Plug
5. Washer
6. Hexagonal nut
7. Grubscrew

FASTENING SET

Fixing set 89496.1



TECHNICAL DATA

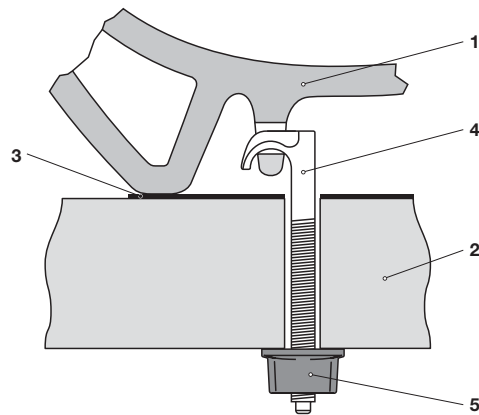
Order no.	89496.1
matching for	Washbasin bowl Ino, order no. 81230.0, 81230.2 Kartell by Laufen, order no. 81233.1, 81233.2, Laufen Pro, order no. 81296.2, 81296.4 Living SaphirKeramik, order no. 81143.3, 81143.4, 81143.5 Palomba Collection, order no. 81680.2, 81680.3 Savoy, order no. 81294.2 The New Classic, order no. 81294.2 Val, order no. 81228.1, 81228.2 Small washbasin The New Classic, order no. 81685.2

DESCRIPTION

1. Washbasin bowl
2. Worktop
3. Silicon caoutchouc
4. Hook bolt
5. Wing nut

FASTENING SET

Fixing set
89496.2



TECHNICAL DATA

Order no.	89496.2
matching for	Washbasin bowl Il Bagno Alessi One, order no. 81897.3

DESCRIPTION

1. Washbasin bowl
2. Worktop
3. Silicon caoutchouc
4. Hook bolt
5. Wing nut

FASTENING SET

laufen EasyFit system M12

89282.7



TECHNICAL DATA

Order no.	89282.7
matching for	Wallhung WC pan Laufen Pro, order no. 82095.6, 82095.9, Palace, order no. 82070.0, 82070.3 Wallhung WC rimless Il Bagno Alessi One, order no. 82097.1 Laufen Pro, order no. 82096.5, 82096.6, 82196.2 Laufen Pro S, order no. 82096.2 Kartell by Laufen, order no. 82033.3, 82033.7 Palace, order no. 82070.6 Palomba Collection / Ino, order no. 82080.2 Sonar, order no. 82034.1 The New Classic, order no. 82085.1 Val, order no. 82028.1 Wallhung WC Pack, rimless Laufen Pro, order no. 86695.3, 86695.5, 86695.7 Kartell by Laufen, order no. 86633.0 Palace, order no. 86670.0 Palomba Collection, order no. 86680.0 Wallhung separation toilet, rimless Save!, order no. 82066.2 Wallhung bidet, Il Bagno Alessi One, order no. 83097.1 Laufen Pro, order no. 83095.2 Laufen Pro S, order no. 83096.1 Kartell by Laufen, order no. 83033.1 Palace, order no. 83070.1 Palomba Collection / Ino, order no. 83080.1 Sonar, order no. 83034.1 The New Classic, order no. 83085.1 Val, order no. 83028.1

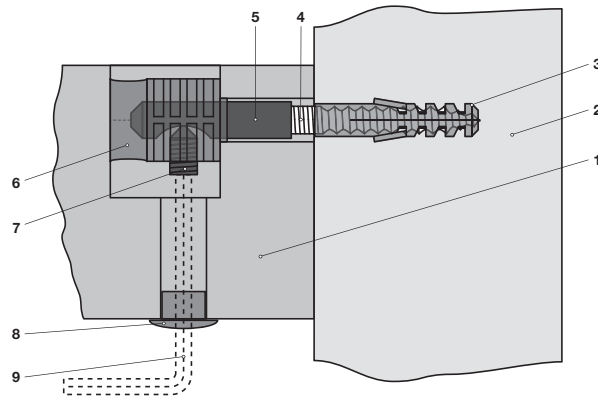
DESCRIPTION

1. Distance holder
2. Threaded cap
3. Main part
4. Rubber ring
5. Hexagonal extended screw

FASTENING SET

Wall fixing set M8

89280.8



TECHNICAL DATA

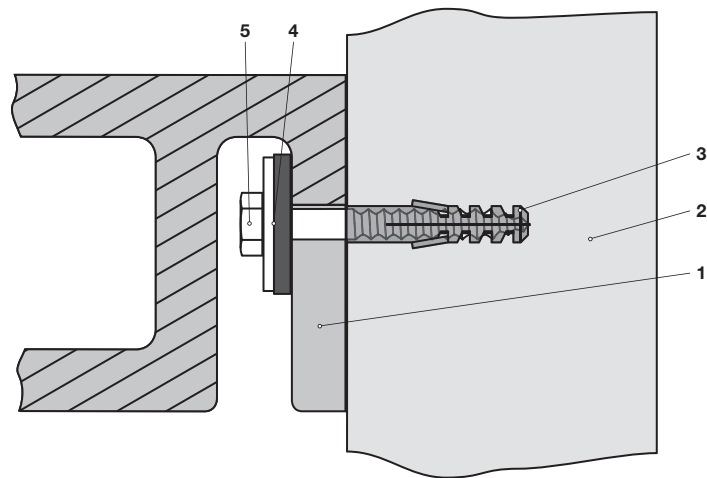
Order no.	89280.8
matching for	Siphonic urinal Caprino Plus, order no. 84206.1, 84206.2, 84206.5, 84206.6 Il Bagno Alessi One, order no. 84097.1, 84097.5 Lema, order no. 84019.4, 84019.6, 84019.7, 84019.9, 84119.0, 84119.2, 84119.3, 84319.5, 84319.7 Tamaro-VS New, order no. 84112.2, 84112.3 Val, order no. 84028.1, 84028.4, 84028.5, 84028.6 Vila, order no. 84114.1, 84114.2

DESCRIPTION

1. Siphonic Urinal
2. Wall
3. Anchor (not inclusive)
4. Stone screw fixing set M8 (not inclusive)
5. Threaded cap
6. Cap Container
7. Hexagonal screw
8. Cap
9. Allen key

FASTENING SET

Wall fixing set 89852.6



TECHNICAL DATA

Order no.	89852.6
matching for	Self
	Florakids, order no. 87703.1
	Modernaplust, order no. 87154.1, 87154.4

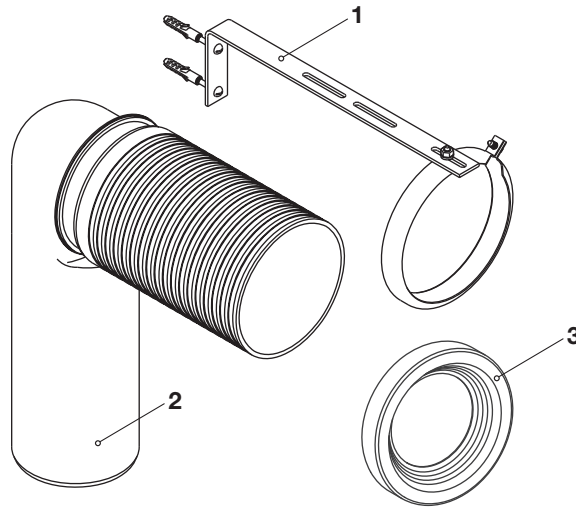
DESCRIPTION

1. Shelf
2. Wall
3. Anchor
4. Fixing plate
5. Wood screw

LAUFEN ELBOW CONNECTION SETS

LAUFEN ELBOW CONNECTION SET

VARIO 70-220 mm, for floorstanding WC pan 89009.2



TECHNICAL DATA

Order no.	89009.2
matching for	Floorstanding WC pan with horizontal outlet
Specification	Elbow connection set VARIO 70 - 220 mm
Outlet	vertical 70 - 220 mm
Weight	1,3 kg
Mounting acc.	included

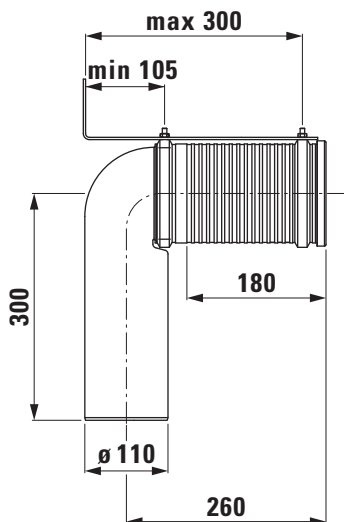
SPECIFICATION TEXT

Elbow connection set LAUFEN VARIO
 DIN 19542, for outlet vertical 70 - 220 mm
 matching floorstanding WC pan with horizontal outlet
 Order no. 89009.2

DESCRIPTION

1. Fixing set
2. Elbow connection
3. Lip seal Ø 102 mm

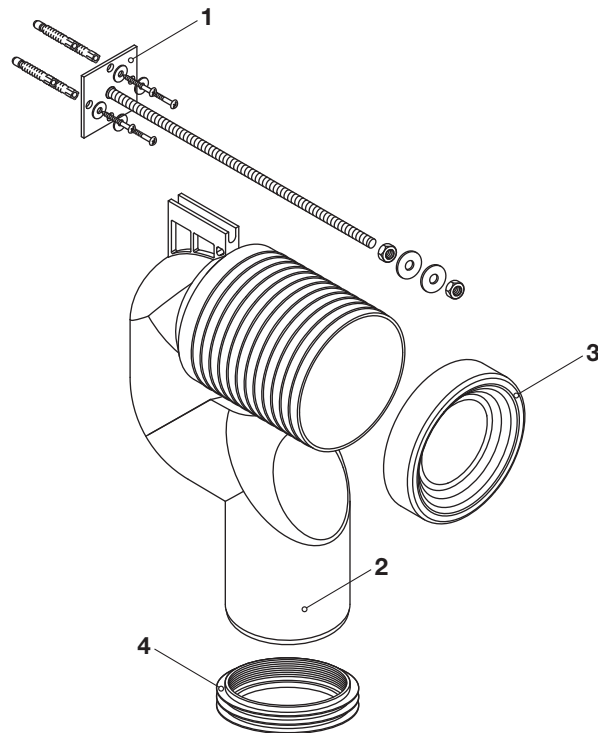
TECHNICAL DRAWINGS / S 1 : 10



LAUFEN ELBOW CONNECTION SET

VARIO 220-305 mm, for floorstanding WC pan

89902.5



TECHNICAL DATA

Order no.	89902.5
matching for	Floorstanding WC pan with horizontal outlet
Specification	Elbow connection set VARIO 220-305 mm
Outlet	vertical 220-305 mm
Weight	0,8 kg
Mounting acc.	included

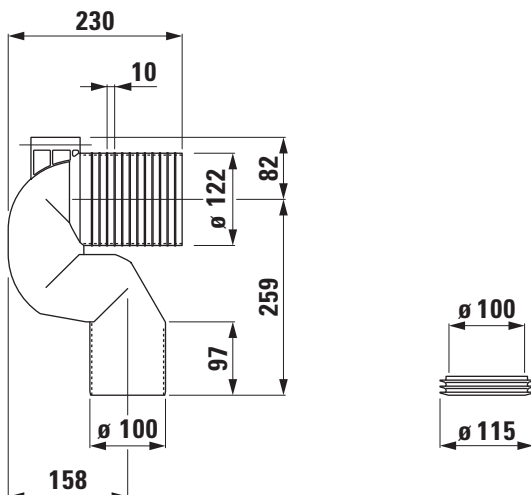
SPECIFICATION TEXT

Elbow connection set LAUFEN VARIO
 DIN 19542, for outlet vertical 220-305 mm
 matching floorstanding WC pan with horizontal outlet
 Order no. 89902.5

DESCRIPTION

1. Fixing set
2. Elbow connection
3. Lip seal Ø 102 mm
4. Lip seal Ø 100-115 mm

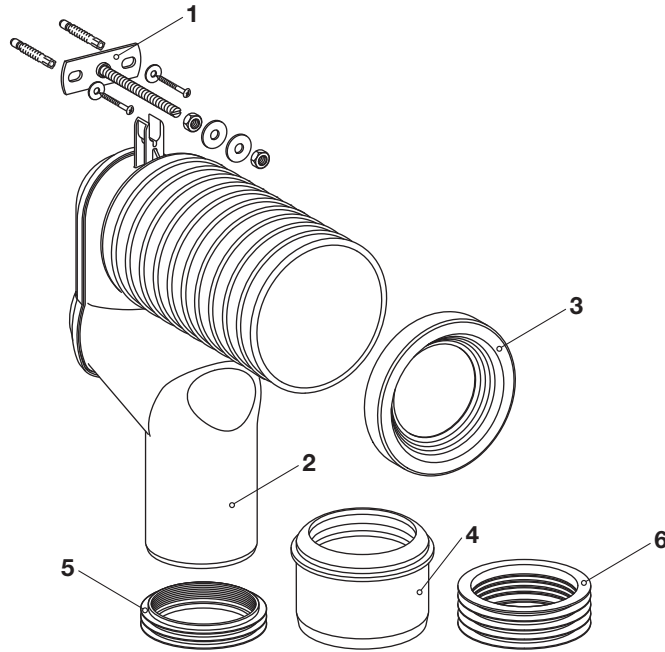
TECHNICAL DRAWINGS / S 1 : 10



LAUFEN ELBOW CONNECTION SET

VARIO 220-305 mm, for floorstanding WC pan

89909.9



TECHNICAL DATA

Order no.	89909.9
matching for	Floorstanding WC pan with horizontal outlet
Specification	Elbow connection set VARIO 220-305 mm
Outlet	vertical 220-305 mm
Weight	1,0 kg
Mounting acc.	included

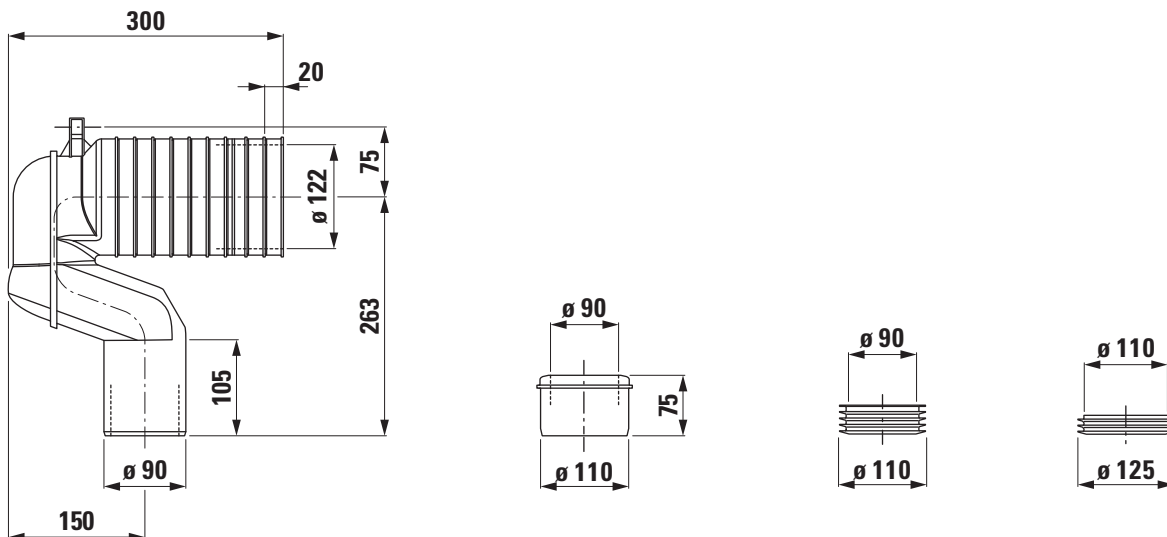
DESCRIPTION

1. Fixing set
2. Elbow connection
3. Lip seal Ø 102 mm
4. Adaptor coupling PE Ø 90/110 mm
5. Lip seal Ø 110-125 mm
6. Lip seal Ø 90-110 mm

SPECIFICATION TEXT

Elbow connection set LAUFEN VARIO
 DIN 19542, for outlet vertical 220-305 mm
 matching floorstanding WC pan with horizontal outlet
 Order no. 89909.9

TECHNICAL DRAWINGS / S 1 : 10



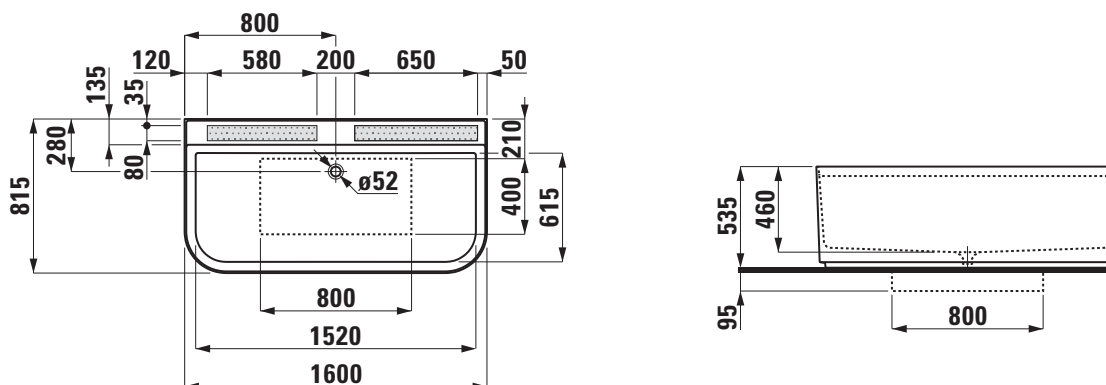
BATHTUBS / SHOWER TRAYS



TECHNICAL DATA

Order no.	22034.7	Accessories excl.	Backrest, order no. 29234.0 Bath tray, order no. 29334.0
Certified to	EN 14516 (EN 198), EN 232	Mounting acc. incl.	click-clack waste with cover made of Sentec, order no. 29144.1 Flex-pipe 1m, order no. 29443.9
Dimensions	1600 x 815 mm	Otherwise	When ordering the version with drillings use the order form for bathtubs with drilling for roman tub filler.
Hight	535 mm	Colours	000 – White
Depth	460 mm		
Use capacity	270 litre (total: 340 litre)		
Specification	Bathtub made of Sentec solid surface material Back to wall version, with one piece panel with integrated overflow with click-clack waste and cover made of Sentec without whirl system Charge 000 – without drillings for roman tub filler		
Special specification	Charge 036 – with drillings for roman tub filler 5-holes Kartell by Laufen, order no. 32233.5.004.282.1 Curveprime, order no. 32270.5.904.384.1		
Weight	112,0 kg		

TECHNICAL DRAWINGS / S 1 : 40



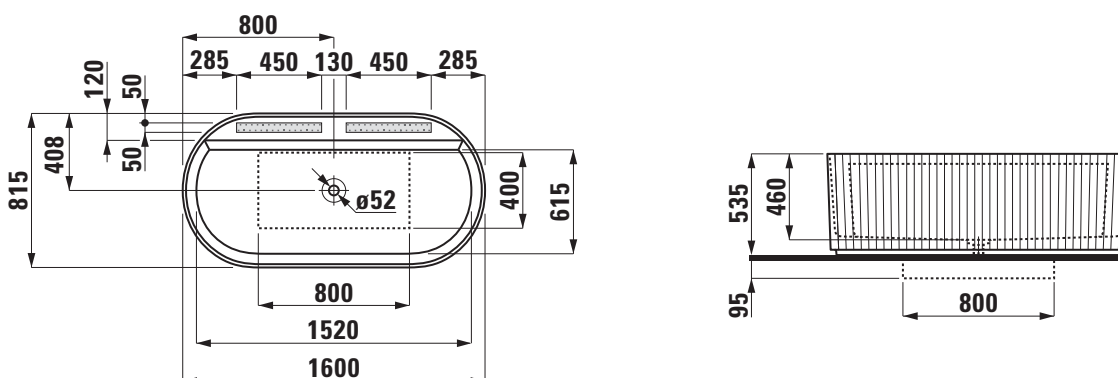
**Bathtub
freestanding version
2134.2**



TECHNICAL DATA

Order no.	2134.2	Accessories excl.	Backrest, order no. 29234.0 Bath tray, order no. 29334.0
Certified to	EN 14516 (EN 198), EN 232	Mounting acc. incl.	click-clack waste with chrome cover, order no. 29510.7 Flex-pipe 1m, order no. 29443.9
Dimensions	1600 x 815 mm	Otherwise	When ordering the version with drillings use the order form for bathtubs with drilling for roman tub filler.
Hight	535 mm	Colours	000 – White
Depth	460 mm		
Use capacity	240 litre (total: 310 litre)		
Specification	Freestanding bathtub made of Marbond with relief on the surface with one piece panel with integrated overflow with click-clack waste and chrome cover without whirl system Charge 000 – without drillings for roman tub filler		
Special specification	Charge 036 – with drillings for roman tub filler 5-holes Kartell by Laufen, order no. 32233.5.004.282.1 Curveprime, order no. 32270.5.904.384.1		
Weight	120,0 kg		

TECHNICAL DRAWINGS / S 1 : 40



IL BAGNO ALESSI ONE

SET IL BAGNO ALESSI ONE

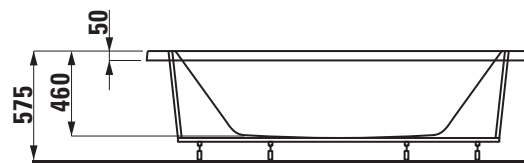
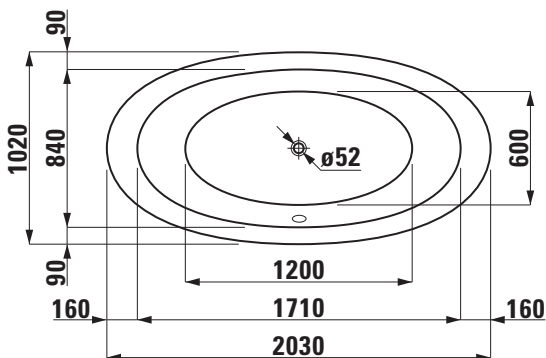
Bathtub fitted version 24397.0



TECHNICAL DATA

Order no.	24397.0	Mounting acc. incl.	Charge 675, 695 – waste and overflow, chromed
Certified to	EN 14516 (EN 198), EN 232, EN 12764	Mounting acc. excl.	Charge 000 – waste and overflow, chromed order no. 29445.7
Dimensions	2030 x 1020 mm		Charge 000 – combined water inlet and overflow, chromed, order no. 29445.8
Depth	460 mm		Charge 675, 695 – combined water inlet and overflow, chromed, order no. 29449.8
Use capacity	230 litre (total: 300 litre)	Colours	000 – White
Specification	Bathtub made of sanitary acrylic of 4-5 mm Fitted version, without panel With aluminium frame Charge 000 – without whirl system, without waste and overflow		
Special specification	Bathtub with whirl system, with sensor control: Charge 675 – Whirlpool with air and hydro massage and LED light Charge 695 – Whirlpool with air and hydro massage, disinfection system and LED light		
Weight	Charge 000 – 30,0 kg Charge 675, 695 – 60,0 kg		

TECHNICAL DRAWINGS / S 1 : 40



SET IL BAGNO ALESSI ONE

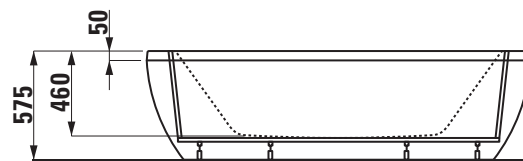
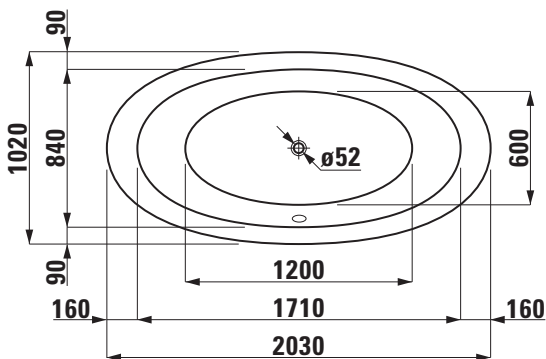
Bathtub freestanding version 24197.0



TECHNICAL DATA

Order no.	24197.0	Mounting acc. incl.	Charge 675, 695 – waste and overflow, chromed
Certified to	EN 14516 (EN 198), EN 232, EN 12764		Flex-pipe 1m, order no. 29443.9
Dimensions	2030 x 1020 mm	Mounting acc. excl.	Charge 000 – waste and overflow, chromed order no. 29445.7
Depth	460 mm		Charge 000 – combined water inlet and overflow, chromed, order no. 29445.8
Use capacity	230 litre (total: 300 litre)		Charge 675-695 – combined water inlet and overflow, chromed, order no. 29449.8
Specification	Bathtub made of sanitary acrylic of 4-5 mm Freestanding version, with one piece panel With aluminium frame Charge 000 – without whirl system, without waste and overflow	Colours	000 – White
Special specification	Bathtub with whirl system, with sensor control: Charge 675 – Whirlpool with air and hydro massage and LED light Charge 695 – Whirlpool with air and hydro massage, disinfection system and LED light		
Weight	Charge 000 – 52,0 kg Charge 675, 695 – 82,0 kg		

TECHNICAL DRAWINGS / S 1 : 40



SET IL BAGNO ALESSI ONE

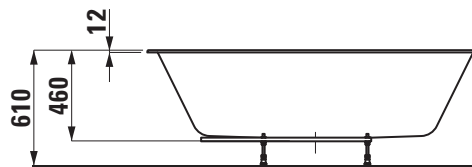
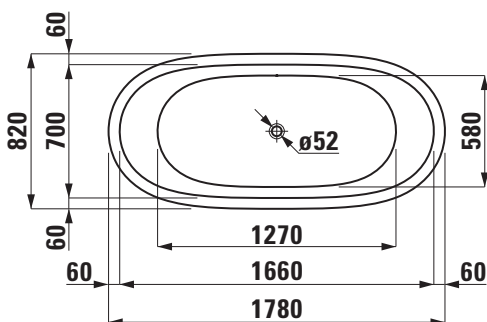
Bathtub drop-in version 24597.1



TECHNICAL DATA

Order no.	24597.1	Weight	Charge 000 – 73,0 kg
Certified to	EN 14516 (EN 198), EN 232, EN 12764		Charge 605 – 78,0 kg
Dimensions	1780 x 820 mm		Charge 615 – 74,0 kg
Depth	460 mm		Charge 625 – 79,0 kg
Use capacity	240 litre (total: 310 litre)	Accessories excl.	Gel Pillow, self adhesive, order no. 29468.0
Specification	Oval bathtub made of solid surface material, cast Drop-in version With overflow slot at long side With pre-installed overflow With click-clack drain valve, chrome Charge 000 – without whirl system, with aluminium profiles and adjustable feet	Mounting acc. incl.	pre-installed overflow and click-clack drain valve chrome Flex-pipe 1m, order no. 29443.9
Special specification	Bathtub without whirl system, with sensor control, with aluminium profiles and adjustable feet: Charge 615 – bathtub with LED light Bathtub with whirl system, with sensor control, with aluminium frame with adjustable feet: Charge 605 – Whirlpool with air massage Charge 625 – Whirlpool with air massage and LED light	Mounting acc. excl.	Noise control band, order no. 29555.1
		Colours	000 – White

TECHNICAL DRAWINGS / S 1 : 40



SET IL BAGNO ALESSI ONE

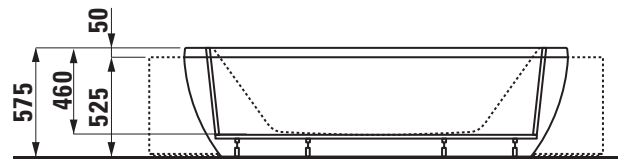
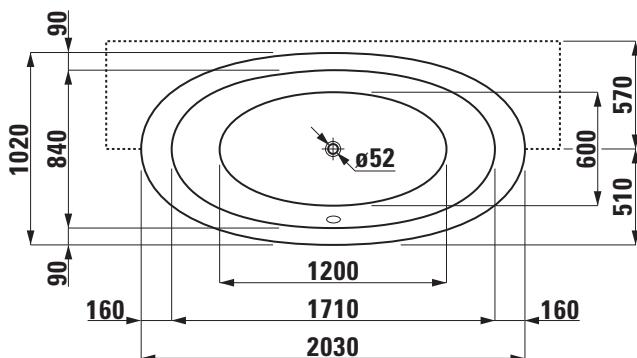
Bathtub semi-recessed version 24497.0



TECHNICAL DATA

Order no.	24497.0	Mounting acc. incl.	Charge 675, 695 – waste and overflow, chromed Flex-pipe 1m, order no. 29443.9
Certified to	EN 14516 (EN 198), EN 232, EN 12764	Mounting acc. excl.	Charge 000 – waste and overflow, chromed order no. 29445.7
Dimensions	2030 x 1020 mm		Charge 000 – combined water inlet and overflow, chromed, order no. 29445.8
Depth	460 mm		Charge 675, 695 – combined water inlet and overflow, chromed, order no. 29449.8
Use capacity	230 litre (total: 300 litre)	Colours	000 – White
Specification	Bathtub made of sanitary acrylic of 4-5 mm Semi-recessed version, with front panel Only to combine with furniture panel With aluminium frame Charge 000 – without whirl system, without waste and overflow		
Special specification	Bathtub with whirl system, with sensor control: Charge 675 – Whirlpool with air and hydro massage and LED light Charge 695 – Whirlpool with air and hydro massage, disinfection system and LED light		
Weight	Charge 000 – 41,0 kg Charge 675, 695 – 71,0 kg		

TECHNICAL DRAWINGS / S 1 : 40



PALOMBA COLLECTION

SET PALOMBA COLLECTION

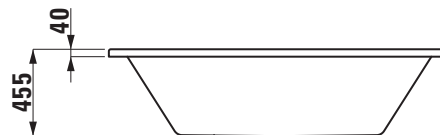
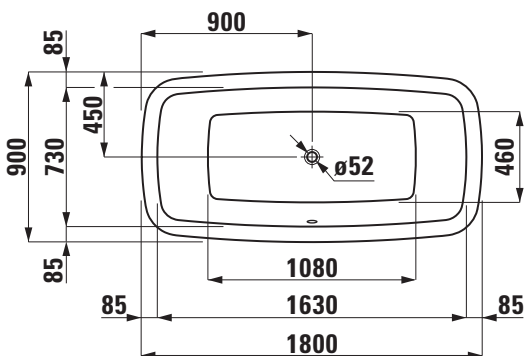
Bathtub drop-in version 23280.0



TECHNICAL DATA

Order no.	23280.0	Mounting acc. excl.	Feet solution with standard wall fixing elements, order no. 29617.7
Certified to	EN 14516 (EN 198), EN 232		Waste and overflow, chromed, order no. 29511.0
Dimensions	1800 x 900 mm		Combined water inlet and overflow, chromed order no. 29511.1
Depth	455 mm		Exclusive anchors and strip clamps order no. 29553.7
Use capacity	170 litre (total: 240 litre)		Noise control band, order no. 29555.1
Specification	Bathtub made of sanitary acrylic of 4-5 mm Drop-in version, without frame Rim height 40 mm With aluminium profiles for feet solution LAUFEN, order no. 29617.7 Charge 000 – without whirl system, without waste and overflow	Colours	000 – White
Weight	25,5 kg		

TECHNICAL DRAWINGS / S 1 : 40



SET PALOMBA COLLECTION

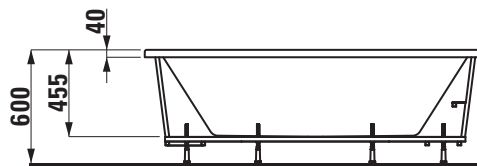
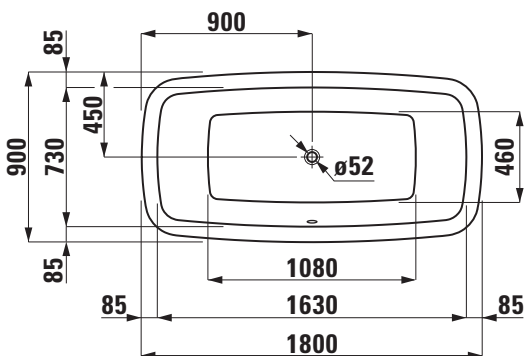
Bathtub fitted version 23280.1



TECHNICAL DATA

Order no.	23280.1	Mounting acc. excl.	Waste and overflow, chromed order no. 29511.0
Certified to	EN 14516 (EN 198), EN 232, EN 12764		Combined water inlet and overflow, chromed, order no. 29511.1
Dimensions	1800 x 900 mm		Exclusive anchors and strip clamps order no. 29553.7
Depth	455 mm		Noise control band, order no. 29555.1
Use capacity	170 litre (total: 240 litre)	Colours	000 – White
Specification	Bathtub made of sanitary acrylic of 4-5 mm Fitted version, without panel Rim height 40 mm With aluminium frame Charge 000 – without whirl system, without waste and overflow		
Weight	29,0 kg		

TECHNICAL DRAWINGS / S 1 : 40



SET PALOMBA COLLECTION

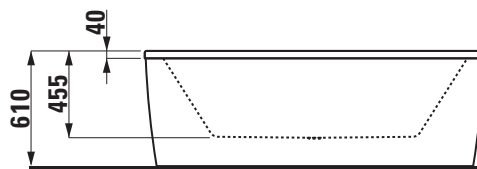
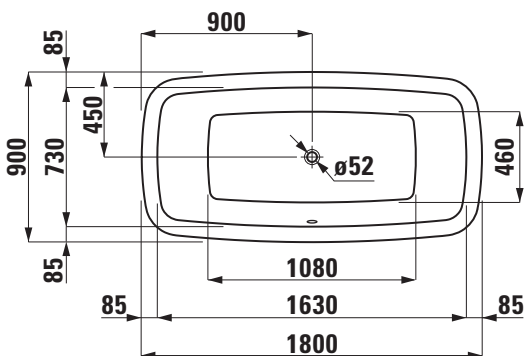
Bathtub freestanding version 23180.0



TECHNICAL DATA

Order no.	23180.0	Mounting acc. excl.	Waste and overflow, chromed order no. 29511.0
Certified to	EN 14516 (EN 198), EN 232, EN 12764		Combined water inlet and overflow, chromed, order no. 29511.1
Dimensions	1800 x 900 mm		
Depth	455 mm		
Use capacity	170 litre (total: 240 litre)	Colours	000 – White
Specification	Bathtub made of sanitary acrylic of 4-5 mm Freestanding version, with one piece panel With aluminium frame Charge 000 – without whirl system, without waste and overflow		
Weight	42,0 kg		

TECHNICAL DRAWINGS / S 1 : 40



SET PALOMBA COLLECTION

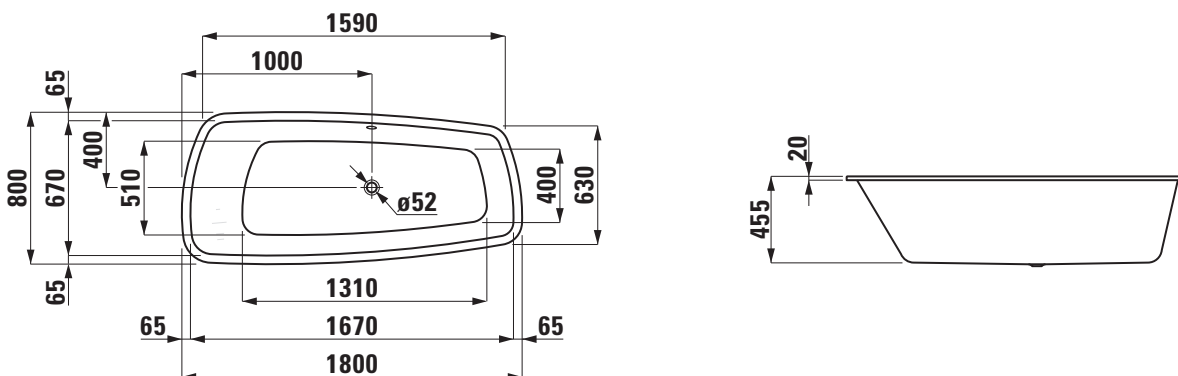
Bathtub drop-in version, asymmetric 24280.0



TECHNICAL DATA

Order no.	24280.0	Mounting acc. excl.	Feet solution with standard wall fixing elements, order no. 29617.0
Certified to	EN 14516 (EN 198), EN 232		Waste and overflow, chromed, order no. 29511.0
Dimensions	1800 x 800 mm		Combined water inlet and overflow, chromed order no. 29511.1
Depth	455 mm		Noise control band, order no. 29555.1
Use capacity	170 litre (total: 240 litre)	Colours	000 – White
Specification	Asymmetric bathtub made of sanitary acrylic of 4-5 mm Drop-in version, without frame Rim height 20 mm With aluminium profiles for feet solution LAUFEN, order no. 29617.0 Charge 000 – without whirl system, without waste and overflow		
Weight	25,0 kg		

TECHNICAL DRAWINGS / S 1 : 40



SET PALOMBA COLLECTION

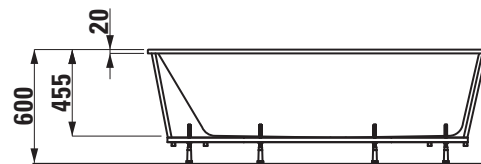
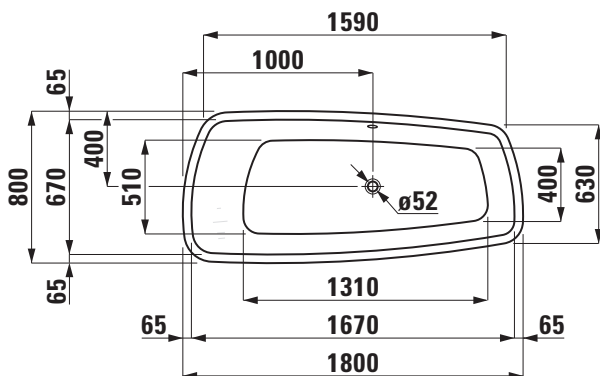
Bathtub fitted version, asymmetric 24280.1



TECHNICAL DATA

Order no.	24280.1	Mounting acc. excl.	Waste and overflow, chromed order no. 29511.0
Certified to	EN 14516 (EN 198), EN 232, EN 12764		Combined water inlet and overflow, chromed, order no. 29511.1
Dimensions	1800 x 800 mm		
Depth	455 mm		
Use capacity	170 litre (total: 240 litre)		
Specification	Asymmetric bathtub made of sanitary acrylic of 4-5 mm Fitted version, without panel Rim height 20 mm With aluminium frame Charge 000 – without whirl system, without waste and overflow	Colours	000 – White
Weight	28,0 kg		

TECHNICAL DRAWINGS / S 1 : 40



SET PALOMBA COLLECTION

Bathtub drop-in version, asymmetric 24380.0

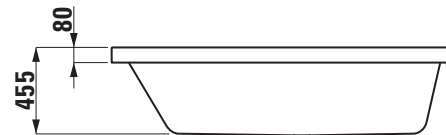
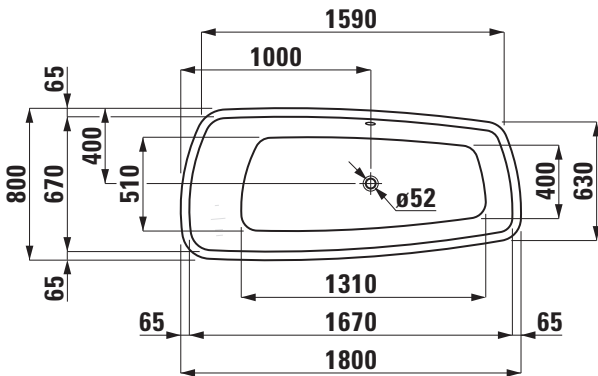


TECHNICAL DATA

Order no.	24380.0
Certified to	EN 14516 (EN 198), EN 232
Dimensions	1800 x 800 mm
Depth	455 mm
Use capacity	170 litre (total: 240 litre)
Specification	Asymmetric bathtub made of sanitary acrylic of 4-5 mm Drop-in version, without frame Rim height 80 mm With aluminium profiles for feet solution LAUFEN, order no. 29617.0 Charge 000 – without whirl system, without waste and overflow
Weight	25,0 kg

Mounting acc. excl.	Feet solution with standard wall fixing elements, order no. 29617.0 Waste and overflow, chromed, order no. 29511.0 Combined water inlet and overflow, chromed order no. 29511.1 Noise control band, order no. 29555.1
Colours	000 – White

TECHNICAL DRAWINGS / S 1 : 40



SET PALOMBA COLLECTION

Bathtub fitted version, asymmetric 24380.1

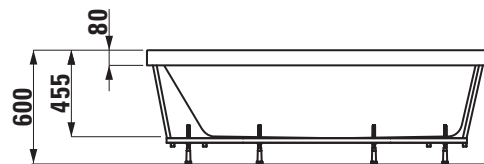
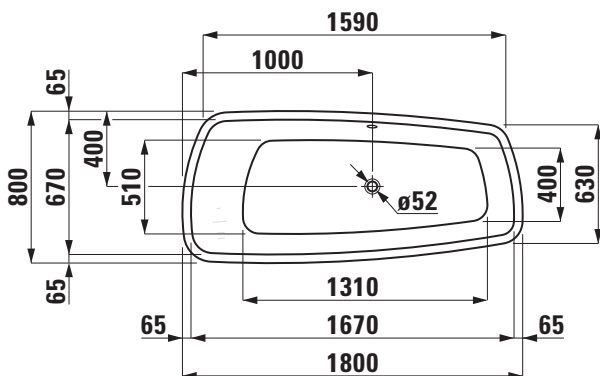


TECHNICAL DATA

Order no.	24380.1
Certified to	EN 14516 (EN 198), EN 232, EN 12764
Dimensions	1800 x 800 mm
Depth	455 mm
Use capacity	170 litre (total: 240 litre)
Specification	Asymmetric bathtub made of sanitary acrylic of 4-5 mm Fitted version, without panel Rim height 80 mm With aluminium frame Charge 000 – without whirl system, without waste and overflow
Weight	28,0 kg

Mounting acc. excl.	Waste and overflow, chromed order no. 29511.0 Combined water inlet and overflow, chromed, order no. 29511.1
Colours	000 – White

TECHNICAL DRAWINGS / S 1 : 40



SET PALOMBA COLLECTION

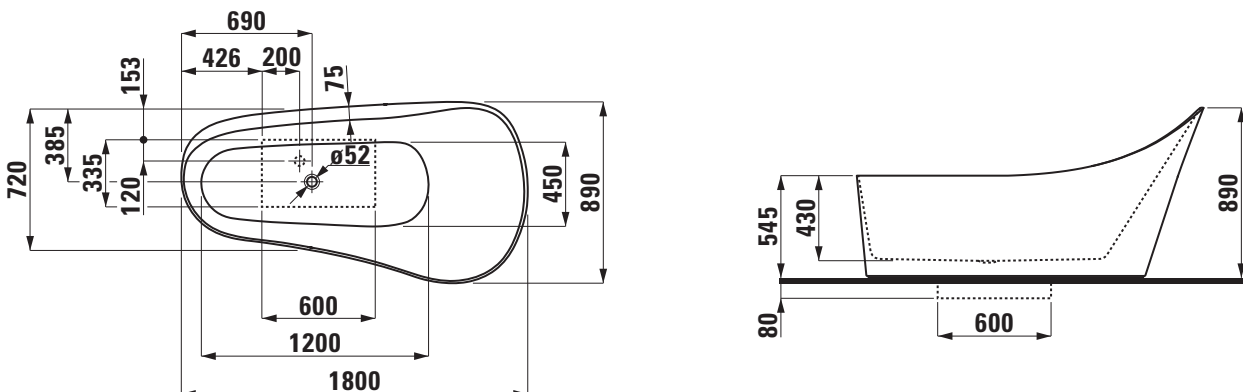
Bathtub freestanding version 24580.2



TECHNICAL DATA

Order no.	24580.2	Weight	Charge 000 – 120,0 kg Charge 605 - 625 – 126,0 kg
Certified to	EN 14516 (EN 198), EN 232, EN 12764	Mounting acc. incl.	Hidden overflow incl. click-clack waste with chrome cover, order no. 29511.3 Drilling template, order no. 29996.3 Flex-pipe 1m, order no. 29443.9
Dimensions	1800 x 890/720 x 545/890 mm	Colours	000 – White
Depth	435 mm		
Use capacity	160 litre (total: 235 litre)		
Specification	Freestanding bathtub made of Sentec solid surface material, with hidden overflow incl. click-clack waste and chrome cover Charge 000 – without whirl system		
Special specification	Bathtub without whirl system, with sensor control: Charge 615 – bathtub with LED light Bathtub with whirl system, with sensor control: Charge 605 – Whirlpool with air massage Charge 625 – Whirlpool with air massage and LED light		

TECHNICAL DRAWINGS / S 1 : 40



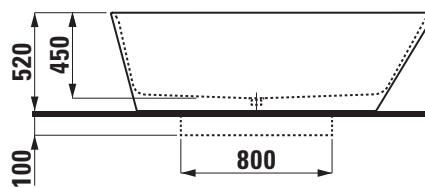
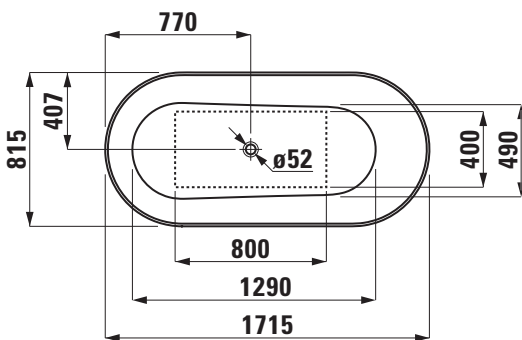
KARTELL BY LAUFEN

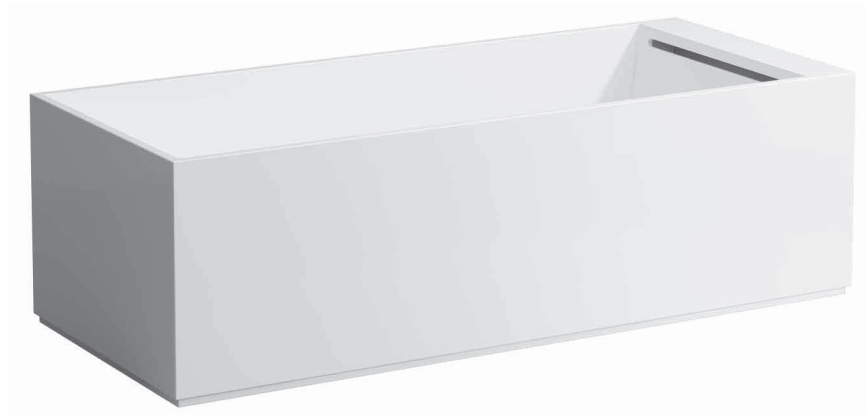


TECHNICAL DATA

Order no.	22633.2	Weight	104,0 kg
Certified to	EN 14516 (EN 198), EN 232	Mounting acc. incl.	click-clack waste with chrome cover, order no. 29510.7
Dimensions	1715 x 815 mm		Drilling template, order no. 29533.0
Hight	520 mm		Flex-pipe 1m, order no. 29443.9
Depth	450 mm	Colours	000 – White
Use capacity	275 litre (total: 376 litre)		
Specification	Freestanding bathtub made of Sentec solid surface material with overflow slot incl. click-clack waste and chrome cover Charge 000 – without whirl system		

TECHNICAL DRAWINGS / S 1 : 40



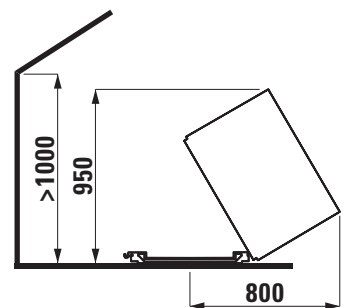
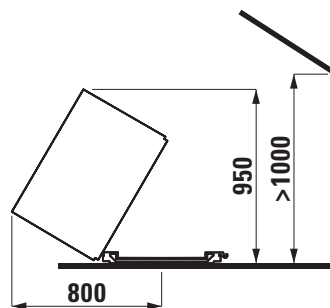
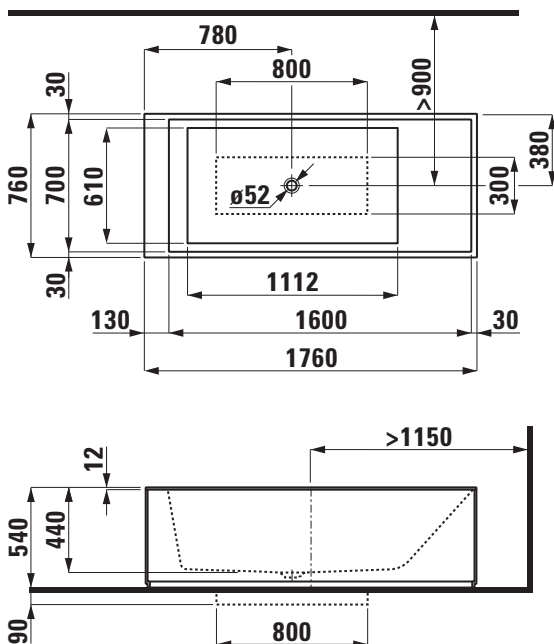


TECHNICAL DATA

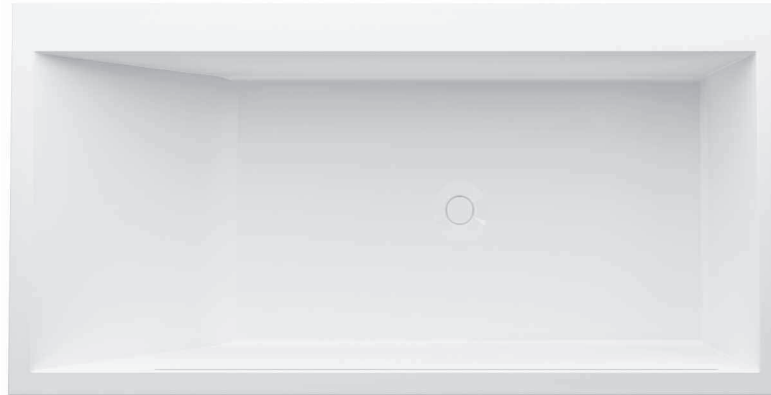
Order no.	22233.2
Certified to	EN 14516, EN 12764, EN 60825-1
Dimensions	1760 x 760 mm
Height	530 mm + 10 mm space for air circulation
Depth	440 mm
Use capacity	250 litre (total: 320 litre)
Specification	Freestanding bathtub made of Sentec solid surface material, with not removable panels Overflow slot and tap bank at feet side With pre-installed lifting system to move the bathtub aside in case of maintenance, with floor fixation With pre-installed overflow and siphon with click-clack function With waste cover made of Sentec solid surface Charge 616 – without whirl system, with sensor control for illuminated overflow slot

Weight	127,0 kg
Accessories excl.	Gel Pillow, self adhesive, order no. 29468.0
Mounting acc. incl.	pre-installed overflow and siphon with click-clack function Flex-pipe 1m, order no. 29443.9
Colours	000 – White

TECHNICAL DRAWINGS / S 1 : 40



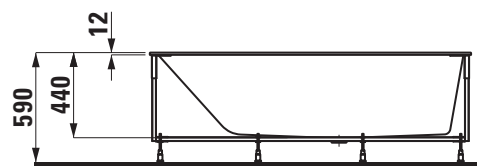
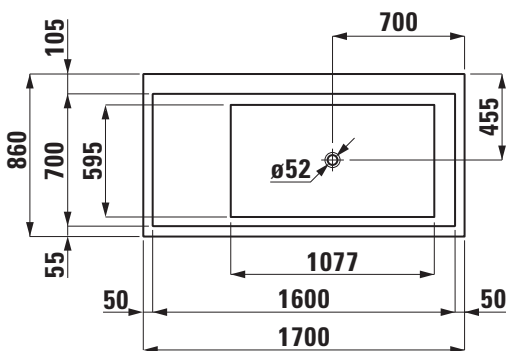
**Bathtub
drop-in version, corner right
22333.1**



TECHNICAL DATA

Order no.	22333.1	Weight	69,0 kg
Certified to	EN 14516 (EN 198), EN 232, EN 12764	Accessories excl.	Gel Pillow, self adhesive, order no. 29468.0
Dimensions	1700 x 860 mm	Mounting acc. incl.	pre-installed overflow and siphon with click-clack function
Height	590 mm		Flex-pipe 1m, order no. 29443.9
Depth	440 mm	Mounting acc. excl.	Noise control band, order no. 29555.1
Use capacity	250 litre (total: 320 litre)	Colours	000 – White
Specification	Bathtub made of Sentec solid surface material, cast Drop-in version for the right corner, without panel With overflow slot at front side and tap bank at opposite side With aluminium frame and floor fixation With pre-installed overflow and siphon with click-clack function With waste cover made of Sentec solid surface Charge 616 – without whirl system, with sensor control for illuminated overflow slot		

TECHNICAL DRAWINGS / S 1 : 40



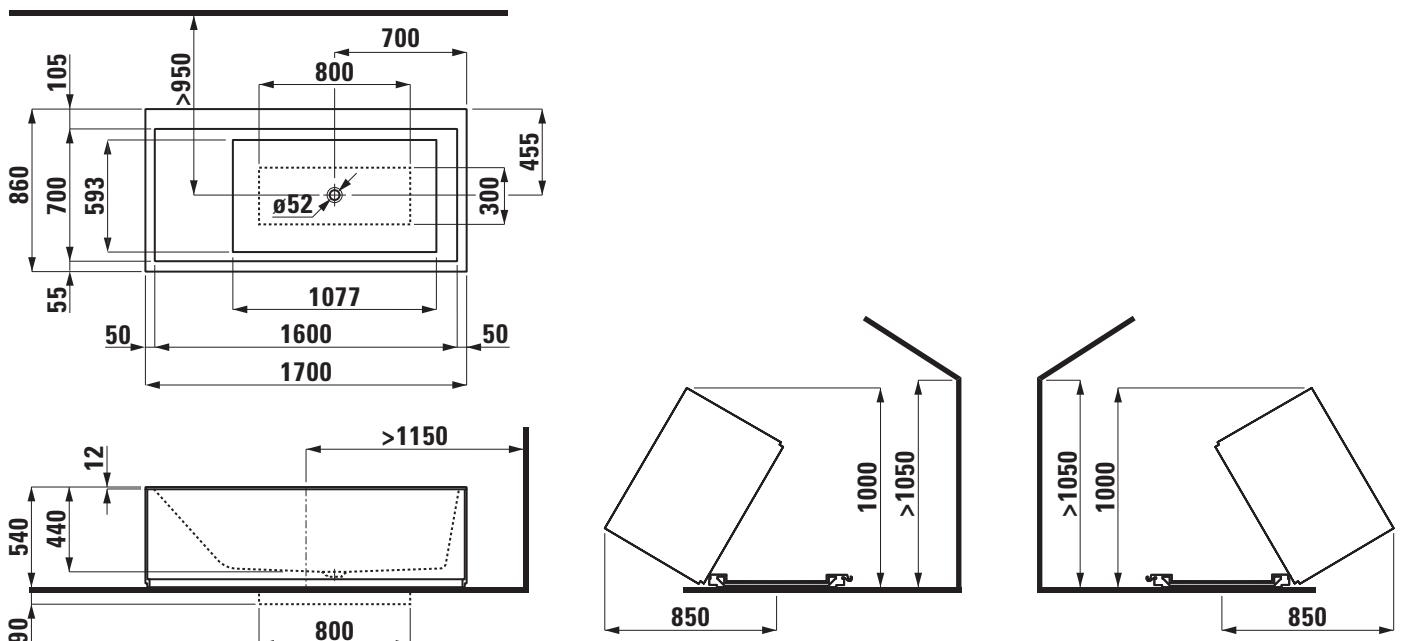
Bathtub
freestanding version, tap bank at long side, back rest left
22333.2



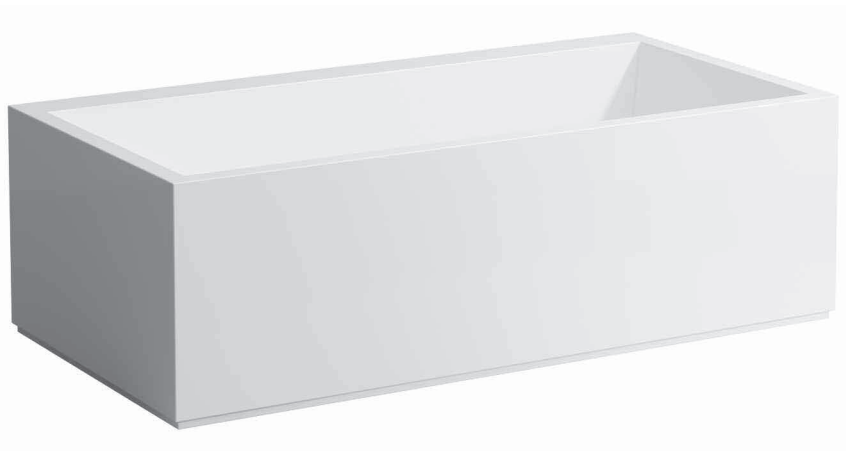
TECHNICAL DATA

Order no.	22333.2	Weight	132,0 kg
Certified to	EN 14516, EN 12764, EN 60825-1	Accessories excl.	Gel Pillow, self adhesive, order no. 29468.0
Dimensions	1700 x 860 mm	Mounting acc. incl.	pre-installed overflow and siphon with click-clack function
Height	530 mm + 10 mm space for air circulation		Flex-pipe 1m, order no. 29443.9
Depth	440 mm	Colours	000 – White
Use capacity	250 litre (total: 320 litre)		
Specification	Freestanding bathtub made of Sentec solid surface material, with not removable panels With overflow slot at long side and tap bank at opposite side With pre-installed lifting system to move the bathtub aside in case of maintenance, with floor fixation With pre-installed overflow and siphon with click-clack function With waste cover made of Sentec solid surface Charge 616 – without whirl system, with sensor control for illuminated overflow slot		

TECHNICAL DRAWINGS / S 1 : 40



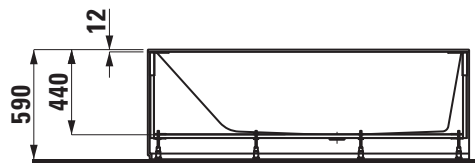
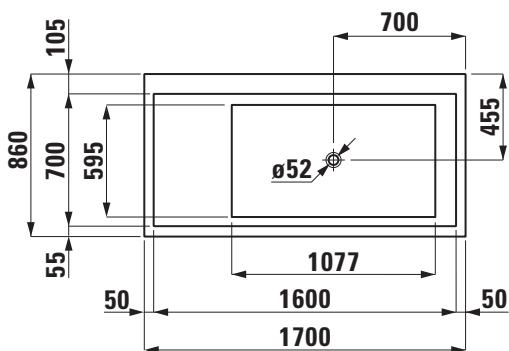
**Bathtub
corner right with L-panel left
22333.5**



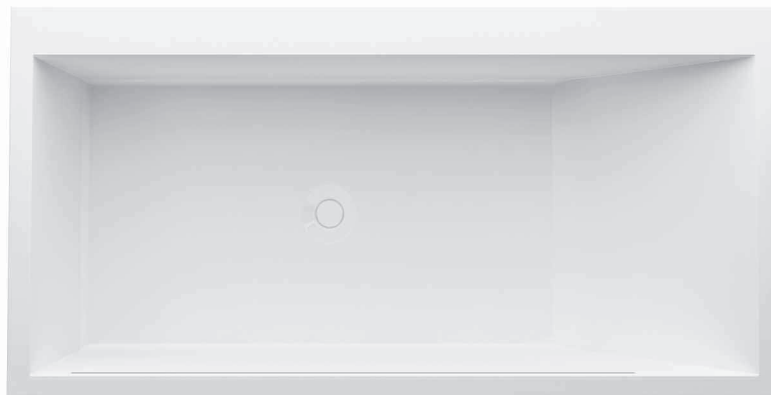
TECHNICAL DATA

Order no.	22333.5	Weight	97,0 kg
Certified to	EN 14516 (EN 198), EN 232, EN 12764	Accessories excl.	Gel Pillow, self adhesive, order no. 29468.0
Dimensions	1700 x 860 mm	Mounting acc. incl.	pre-installed overflow and siphon with click-clack function
Height	580 mm + 10 mm space for air circulation		Flex-pipe 1m, order no. 29443.9
Depth	440 mm	Mounting acc. excl.	Noise control band, order no. 29555.1
Use capacity	250 litre (total: 320 litre)	Colours	000 – White
Specification	Bathtub made of Sentec solid surface material, cast for the right corner, with not removable L-panel left With overflow slot at front side and tap bank at opposite side With aluminium frame and floor fixation With pre-installed overflow and siphon with click-clack function With waste cover made of Sentec solid surface Charge 616 – without whirl system, with sensor control for illuminated overflow slot		

TECHNICAL DRAWINGS / S 1 : 40



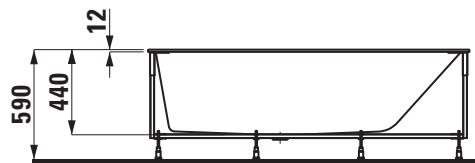
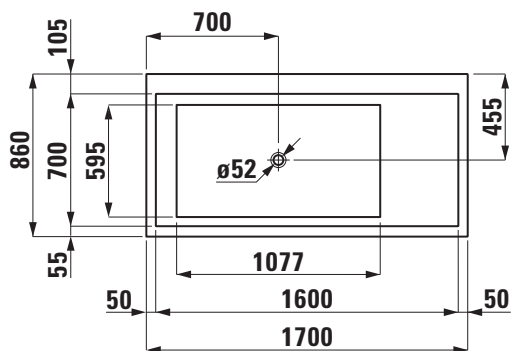
**Bathtub
drop-in version, corner left
2433.1**



TECHNICAL DATA

Order no.	2433.1	Weight	69,0 kg
Certified to	EN 14516 (EN 198), EN 232, EN 12764	Accessories excl.	Gel Pillow, self adhesive, order no. 29468.0
Dimensions	1700 x 860 mm	Mounting acc. incl.	pre-installed overflow and siphon with click-clack function
Hight	590 mm		Flex-pipe 1m, order no. 29443.9
Depth	440 mm	Mounting acc. excl.	Noise control band, order no. 29555.1
Use capacity	250 litre (total: 320 litre)	Colours	000 – White
Specification	Bathtub made of Sentec solid surface material, cast Drop-in version for the left corner, without panel With overflow slot at front side and tap bank at opposite side With aluminium frame and floor fixation With pre-installed overflow and siphon with click-clack function With waste cover made of Sentec solid surface Charge 616 – without whirl system, with sensor control for illuminated overflow slot		

TECHNICAL DRAWINGS / S 1 : 40



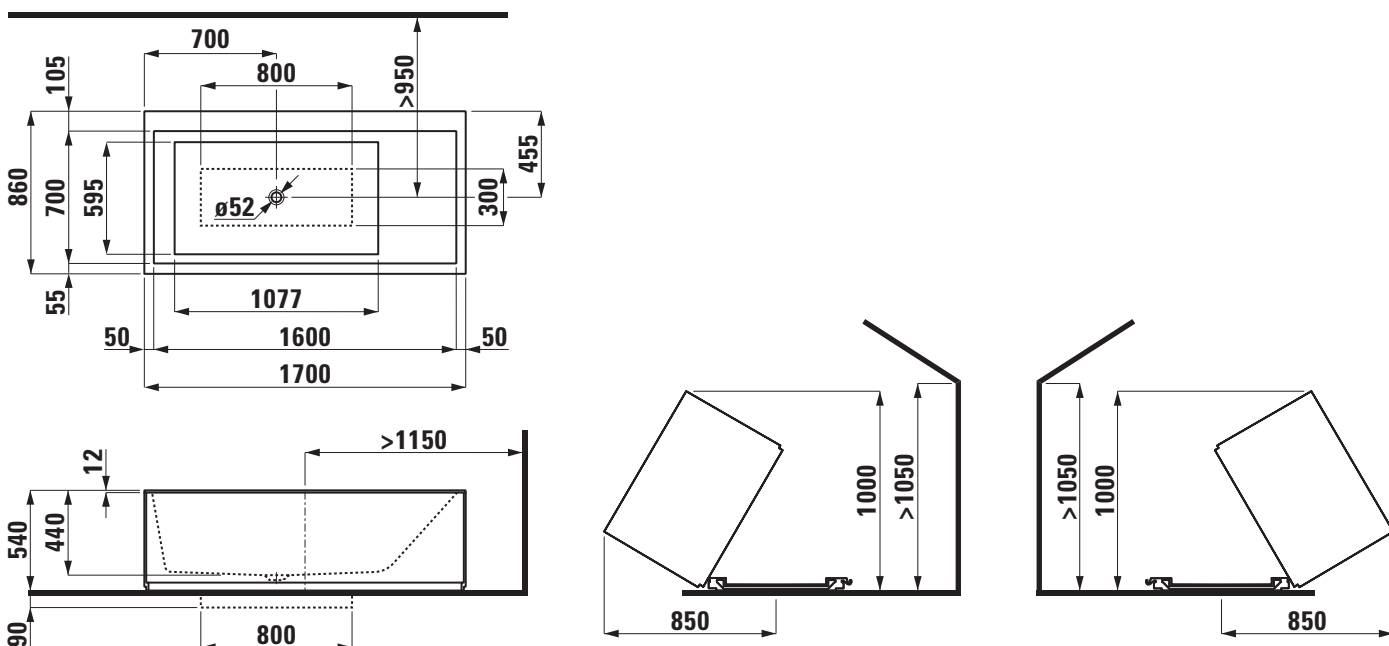
Bathtub
freestanding version, tap bank at long side, back rest right
22433.2



TECHNICAL DATA

Order no.	22433.2	Weight	132,0 kg
Certified to	EN 14516, EN 12764, EN 60825-1	Accessories excl.	Gel Pillow, self adhesive, order no. 29468.0
Dimensions	1700 x 860 mm	Mounting acc. incl.	pre-installed overflow and siphon with click-clack function
Height	530 mm + 10 mm space for air circulation		Flex-pipe 1m, order no. 29443.9
Depth	440 mm	Colours	000 - White
Use capacity	250 litre (total: 320 litre)		
Specification	Freestanding bathtub made of Sentec solid surface material, with not removable panels With overflow slot at long side and tap bank at opposite side With pre-installed lifting system to move the bathtub aside in case of maintenance, with floor fixation With pre-installed overflow and siphon with click-clack function With waste cover made of Sentec solid surface Charge 616 – without whirl system, with sensor control for illuminated overflow slot		

TECHNICAL DRAWINGS / S 1 : 40



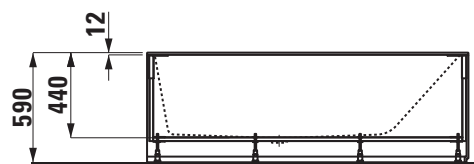
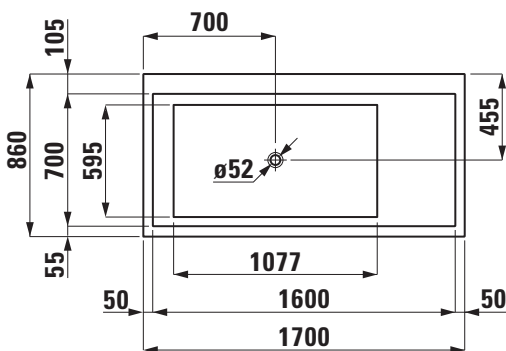
**Bathtub
corner left with L-panel right
22433.6**



TECHNICAL DATA

Order no.	22433.6	Weight	97,0 kg
Certified to	EN 14516 (EN 198), EN 232, EN 12764	Accessories excl.	Gel Pillow, self adhesive, order no. 29468.0
Dimensions	1700 x 860 mm	Mounting acc. incl.	pre-installed overflow and siphon with click-clack function
Height	580 mm + 10 mm space for air circulation		Flex-pipe 1m, order no. 29443.9
Depth	440 mm	Mounting acc. excl.	Noise control band, order no. 29555.1
Use capacity	250 litre (total: 300 litre)	Colours	000 – White
Specification	Bathtub made of Sentec solid surface material, cast for the left corner, with not removable L-panel right With overflow slot at front side and tap bank at opposite side With aluminium frame and floor fixation With pre-installed overflow and siphon with click-clack function With waste cover made of Sentec solid surface Charge 616 – without whirl system, with sensor control for illuminated overflow slot		

TECHNICAL DRAWINGS / S 1 : 40



THE NEW CLASSIC

SET THE NEW CLASSIC

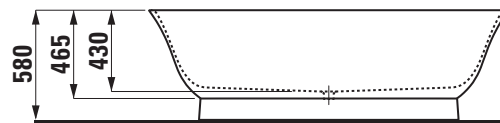
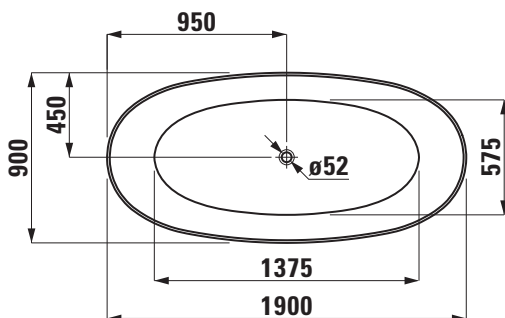
Bathtub freestanding version 22085.2



TECHNICAL DATA

Order no.	22085.2	Weight	108,0 kg
Certified to	EN 14516 (EN 198), EN 232	Mounting acc. incl.	click-clack waste with chrome cover, order no. 29510.7
Dimensions	1900 x 900 mm		Flex-pipe 1m, order no. 29443.9
Hight	580 mm	Colours	000 – White
Depth	430 mm		
Use capacity	230 litre (total: 300 litre)		
Specification	Freestanding bathtub made of Sentec solid surface material with overflow slot incl. click-clack waste and chrome cover 10 cm free space for installation, no cut-out required in the floor. Charge 000 – without whirl system		

TECHNICAL DRAWINGS / S 1 : 40



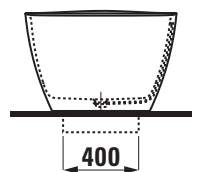
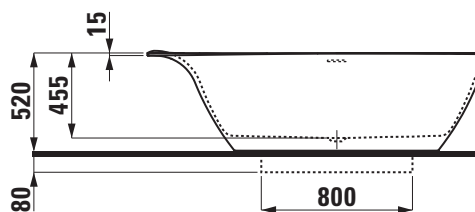
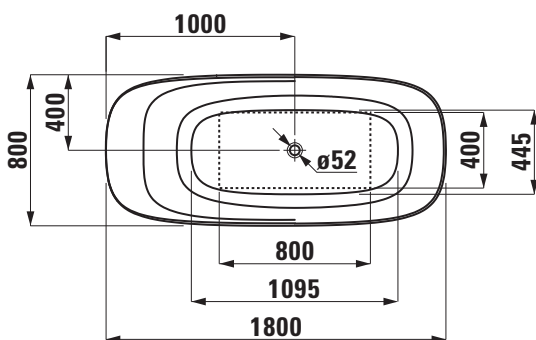
SET INO
Bathtub
freestanding version
23030.2



TECHNICAL DATA

Order no.	23030.2	Weight	113,0 kg
Certified to	EN 14516 (EN 198), EN 232	Mounting acc. incl.	click-clack waste with chrome cover, order no. 29510.7
Dimensions	1800 x 800 mm		Drilling template, order no. 29330.0
Hight	520 mm		Flex-pipe 1m, order no. 29443.9
Depth	455 mm	Colours	000 – White
Use capacity	250 litre (total: 320 litre)		
Specification	Freestanding bathtub made of Sentec solid surface material, with head rest with overflow slot incl. click-clack waste and chrome cover Charge 000 – without whirl system		

TECHNICAL DRAWINGS / S 1 : 40



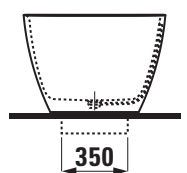
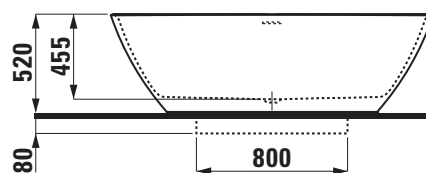
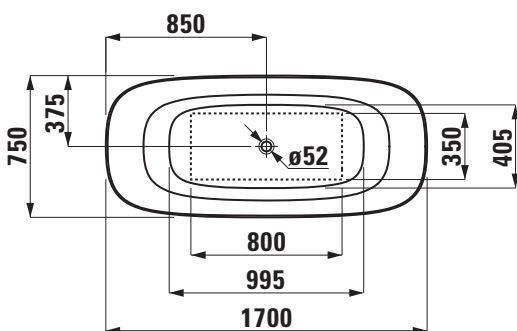
SET INO
Bathtub
freestanding version
23130.2



TECHNICAL DATA

Order no.	23130.2	Weight	105,0 kg
Certified to	EN 14516 (EN 198), EN 232	Mounting acc. incl.	click-clack waste with chrome cover, order no. 29510.7
Dimensions	1700 x 750 mm		Drilling template, order no. 29331.0
Hight	520 mm		Flex-pipe 1m, order no. 29443.9
Depth	455 mm	Colours	000 – White
Use capacity	230 litre (total: 300 litre)		
Specification	Freestanding bathtub made of Sentec solid surface material with overflow slot incl. click-clack waste and chrome cover Charge 000 – without whirl system		

TECHNICAL DRAWINGS / S 1 : 40

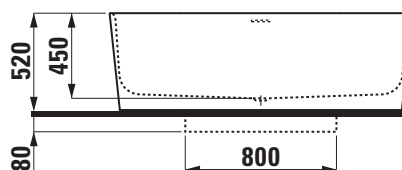
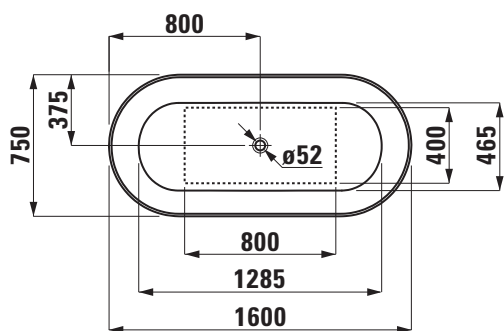




TECHNICAL DATA

Order no.	23028.2	Weight	110,0 kg
Certified to	EN 14516 (EN 198), EN 232	Mounting acc. incl.	click-clack waste with chrome cover, order no. 29510.7
Dimensions	1600 x 750 mm		Drilling template, order no. 29428.0
Hight	520 mm		Flex-pipe 1m, order no. 29443.9
Depth	450 mm	Colours	000 – White
Use capacity	275 litre (total: 345 litre)		
Specification	Freestanding bathtub made of Sentec solid surface material with overflow slot incl. click-clack waste and chrome cover Charge 000 – without whirl system		

TECHNICAL DRAWINGS / S 1 : 40

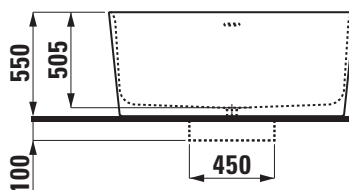
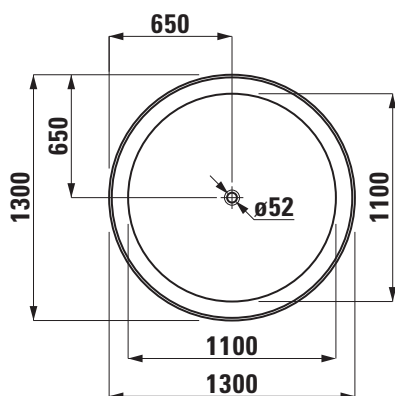




TECHNICAL DATA

Order no.	23128.2	Weight	129,0 kg
Certified to	EN 14516 (EN 198), EN 232	Mounting acc. incl.	click-clack waste with chrome cover, order no. 29510.7
Dimensions	Ø 1300 mm		Elbow 90° for connecting siphon and flex-pipe, order no. 29228.0
Hight	550 mm		Flex-pipe 1m, order no. 29443.9
Depth	505 mm	Colours	000 – White
Use capacity	460 litre (total: 546 litre)		
Specification	Freestanding bathtub made of Sentec solid surface material with overflow slot incl. click-clack waste and chrome cover Charge 000 – without whirl system		

TECHNICAL DRAWINGS / S 1 : 40



SET LAUFEN PRO

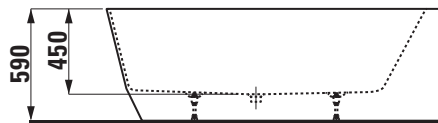
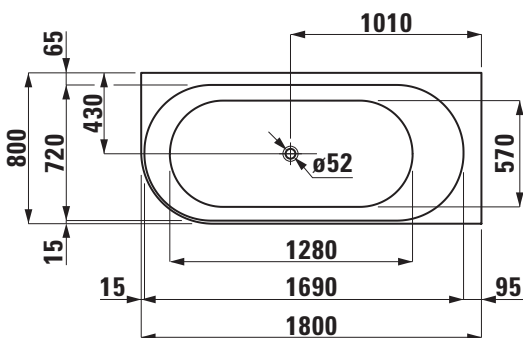
Bathtub corner right with L-panel left 24495.5



TECHNICAL DATA

Order no.	24495.5	Weight	100,0 kg
Certified to	EN 14516 (EN 198), EN 232	Mounting acc. incl.	Feet for bathtub
Dimensions	1800 x 800 mm	Mounting acc. excl.	Waste and overflow, chromed, order no. 29511.0
Height	590 mm		Combined water inlet and overflow, chromed order no. 29511.1
Depth	450 mm		Noise control band, order no. 29555.1
Use capacity	240 litre (total: 312 litre)	Colours	000 – White
Specification	Bathtub made of Marbond glossy surface for the right corner, with not removable L-panel left With feet for bathtub Charge 000 – without whirl system, without waste and overflow		

TECHNICAL DRAWINGS / S 1 : 40



SET LAUFEN PRO

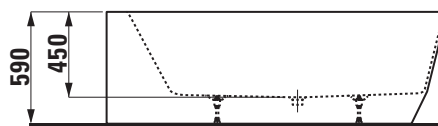
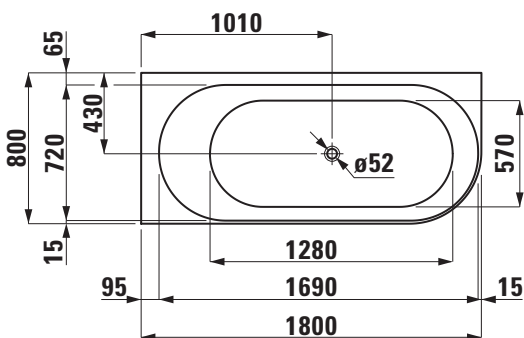
Bathtub corner left with L-panel right 24495.6



TECHNICAL DATA

Order no.	24495.6	Weight	100,0 kg
Certified to	EN 14516 (EN 198), EN 232	Mounting acc. incl.	Feet for bathtub
Dimensions	1800 x 800 mm	Mounting acc. excl.	Waste and overflow, chromed, order no. 29511.0
Height	590 mm		Combined water inlet and overflow, chromed order no. 29511.1
Depth	450 mm		Noise control band, order no. 29555.1
Use capacity	240 litre (total: 312 litre)	Colours	000 – White
Specification	Bathtub made of Marbond glossy surface for the left corner, with not removable L-panel right With feet for bathtub Charge 000 – without whirl system, without waste and overflow		

TECHNICAL DRAWINGS / S 1 : 40



SET LAUFEN PRO

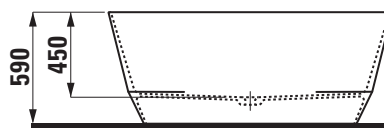
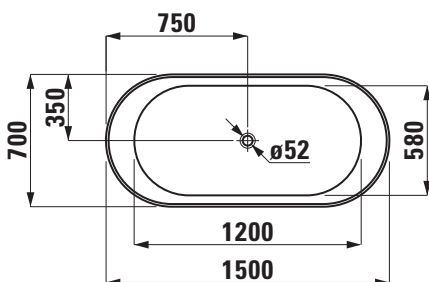
Bathtub freestanding version 24395.2



TECHNICAL DATA

Order no.	24395.2	Weight	97,0 kg
Certified to	EN 14516 (EN 198), EN 232	Mounting acc. incl.	click-clack waste with chrome cover, order no. 29510.7
Dimensions	1500 x 700 mm		Flex-pipe 1m, order no. 29443.9
Height	590 mm	Colours	000 – White
Depth	450 mm		
Use capacity	200 litre (total: 272 litre)		
Specification	Freestanding bathtub made of Marbond glossy surface with integrated overflow with click-clack waste and chrome cover 10 cm free space for installation, no cut-out required in the floor. Charge 000 – without whirl system		

TECHNICAL DRAWINGS / S 1 : 40



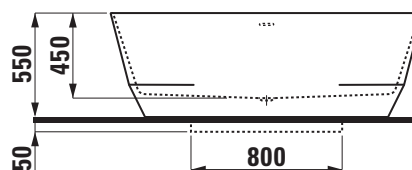
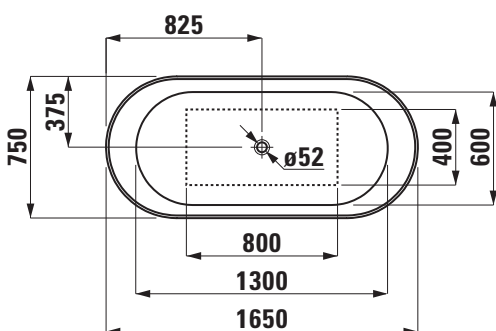
SET LAUFEN PRO
Bathtub
freestanding version
23995.2



TECHNICAL DATA

Order no.	23995.2	Weight	115,0 kg
Certified to	EN 14516 (EN 198), EN 232	Mounting acc. incl.	click-clack waste with chrome cover, order no. 29510.7
Dimensions	1650 x 750 mm		Flex-pipe 1m, order no. 29443.9
Height	550 mm	Colours	000 – White
Depth	450 mm		
Use capacity	253 litre (total: 323 litre)		
Specification	Freestanding bathtub made of Marbond glossy surface with integrated overflow with click-clack waste and chrome cover Charge 000 – without whirl system		

TECHNICAL DRAWINGS / S 1 : 40



SET LAUFEN PRO

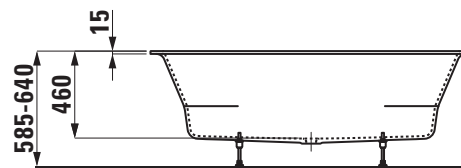
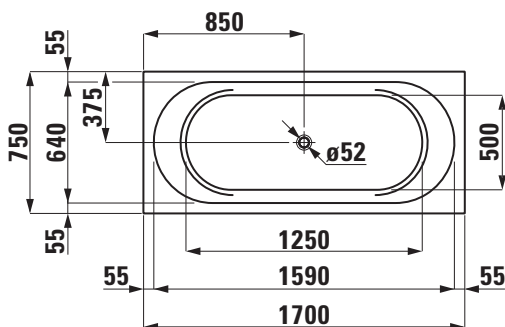
Bathtub drop-in version 24295.0



TECHNICAL DATA

Order no.	24295.0	Mounting acc. incl.	Feet for bathtub
Certified to	EN 14516 (EN 198), EN 232	Mounting acc. excl.	Waste and overflow, chromed, order no. 29511.0
Dimensions	1700 x 750 mm		Combined water inlet and overflow, chromed order no. 29511.1
Height	585-640 mm		Noise control band, order no. 29555.1
Depth	460 mm	Colours	000 – White
Use capacity	180 litre (total: 250 litre)		
Specification	Bathtub made of Marbond glossy surface Drop-in version, without frame With aluminium profiles and feet for bathtub Charge 000 – without whirl system, without waste and overflow		
Weight	70,0 kg		

TECHNICAL DRAWINGS / S 1 : 40



SET LAUFEN PRO

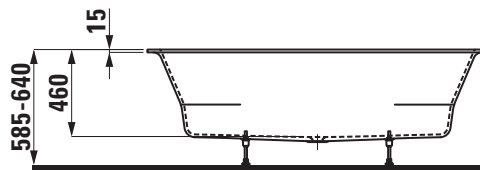
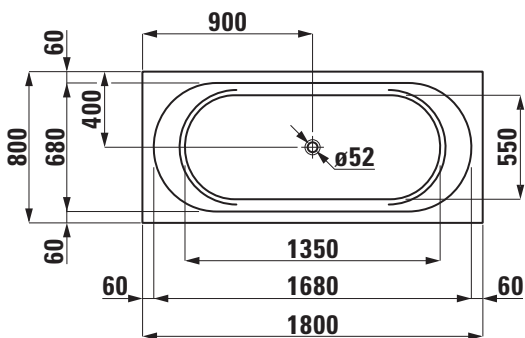
Bathtub drop-in version 24095.0



TECHNICAL DATA

Order no.	24095.0	Mounting acc. incl.	Feet for bathtub
Certified to	EN 14516 (EN 198), EN 232	Mounting acc. excl.	Waste and overflow, chromed, order no. 29511.0
Dimensions	1800 x 800 mm		Combined water inlet and overflow, chromed order no. 29511.1
Height	585-640 mm		Noise control band, order no. 29555.1
Depth	460 mm	Colours	000 – White
Use capacity	200 litre (total: 272 litre)		
Specification	Bathtub made of Marbond glossy surface Drop-in version, without frame With aluminium profiles and feet for bathtub Charge 000 – without whirl system, without waste and overflow		
Weight	77,0 kg		

TECHNICAL DRAWINGS / S 1 : 40



SET LAUFEN PRO

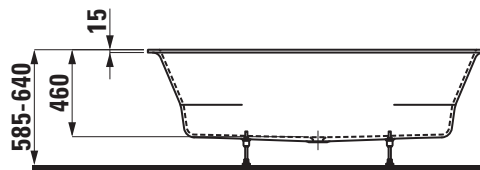
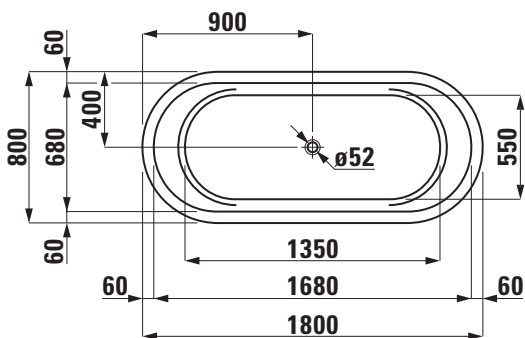
Bathtub drop-in version 24195.0



TECHNICAL DATA

Order no.	24195.0	Mounting acc. incl.	Feet for bathtub
Certified to	EN 14516 (EN 198), EN 232	Mounting acc. excl.	Waste and overflow, chromed, order no. 29511.0
Dimensions	1800 x 800 mm		Combined water inlet and overflow, chromed order no. 29511.1
Height	585-640 mm		Noise control band, order no. 29555.1
Depth	460 mm	Colours	000 – White
Use capacity	200 litre (total: 272 litre)		
Specification	Bathtub made of Marbond glossy surface Drop-in version, without frame With aluminium profiles and feet for bathtub Charge 000 – without whirl system, without waste and overflow		
Weight	74,0 kg		

TECHNICAL DRAWINGS / S 1 : 40



SET LAUFEN PRO

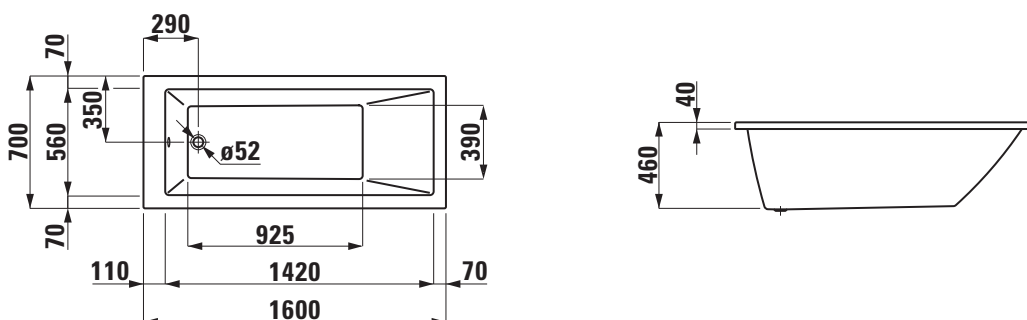
Bathtub drop-in version 23395.0



TECHNICAL DATA

Order no.	23395.0	Mounting acc. excl.	Feet solution with standard wall fixing elements, order no. 29617.0
Certified to	EN 14516 (EN 198), EN 232		Waste and overflow, chromed, order no. 29511.0
Dimensions	1600 x 700 mm		Combined water inlet and overflow, chromed order no. 29511.1
Depth	460 mm		Exclusive anchors and strip clamps order no. 29553.7
Use capacity	125 litre (total: 195 litre)		Noise control band, order no. 29555.1
Specification	Bathtub made of sanitary acrylic of 4-5 mm Drop-in version, without frame With aluminium profiles for feet solution LAUFEN, order no. 29617.0 Charge 000 – without whirl system, without waste and overflow	Colours	000 – White
Weight	19,0 kg		

TECHNICAL DRAWINGS / S 1 : 40

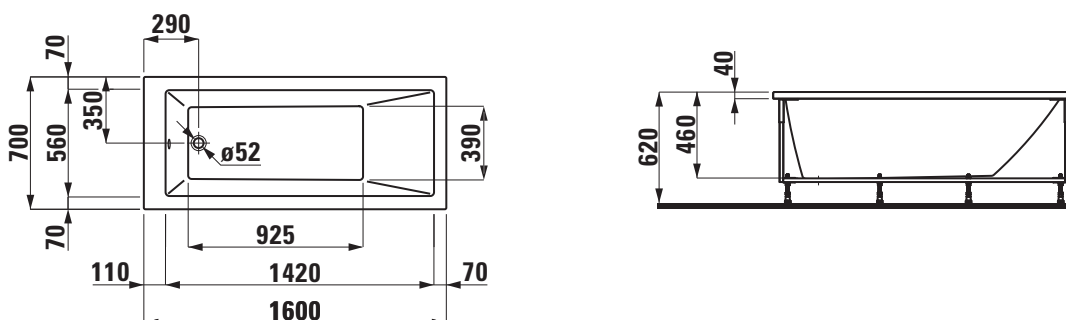




TECHNICAL DATA

Order no.	23395.1	Weight	Charge 000, 615 – 24,0 kg Charge 605, 635, 645 – 40,0 kg
Certified to	EN 14516 (EN 198), EN 232, EN 12764	Mounting acc. incl.	Charge 605, 635, 645 – waste and overflow, chromed
Dimensions	1600 x 700 mm	Mounting acc. excl.	Charge 000, 615 – waste and overflow, chromed order no. 29511.0 Charge 000, 615 – combined water inlet and overflow, chromed, order no. 29511.1 Charge 605, 635, 645 – combined water inlet and overflow, chromed, order no. 29511.2 Exclusive anchors and strip clamps order no. 29553.7 Noise control band, order no. 29555.1
Depth	460 mm	Colours	000 – White
Use capacity	125 litre (total: 195 litre)		
Specification	Bathtub made of sanitary acrylic of 4-5 mm Fitted version, without panel With aluminium frame and standard wall fixing elements Charge 000 – without whirl system, without waste and overflow		
Special specification	Bathtub without whirl system, with sensor control: Charge 615 – bathtub with LED light, without waste and overflow Bathtub with whirl system, with sensor control: Charge 605 – Whirlpool with air massage Charge 635 – Whirlpool with hydro massage Charge 645 – Whirlpool with air and hydro massage		

TECHNICAL DRAWINGS / S 1 : 40



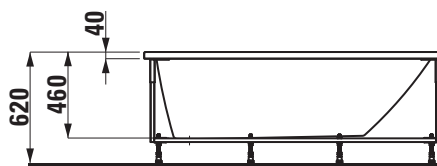
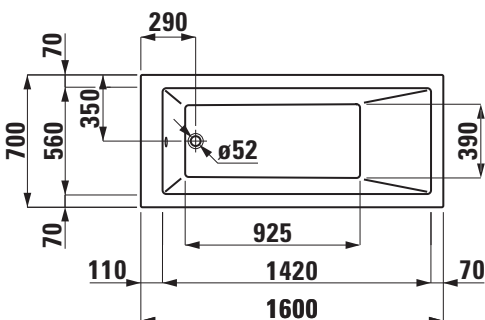
**Bathtub
corner right with L-panel left
23395.5**



TECHNICAL DATA

Order no.	23395.5	Weight	Charge 000, 615 – 31,5 kg
Certified to	EN 14516 (EN 198), EN 232, EN 12764		Charge 605, 635, 645 – 47,5 kg
Dimensions	1600 x 700 mm	Mounting acc. incl.	Charge 605, 635, 645 – waste and overflow, chromed
Depth	460 mm	Mounting acc. excl.	Charge 000, 615 – waste and overflow, chromed order no. 29511.0
Use capacity	125 litre (total: 195 litre)		Charge 000, 615 – combined water inlet and overflow, chromed, order no. 29511.1
Specification	Bathtub made of sanitary acrylic of 4-5 mm for the right corner with L-panel left With aluminium frame and standard wall fixing elements Charge 000 – without whirl system, without waste and overflow		Charge 605, 635, 645 – combined water inlet and overflow, chromed, order no. 29511.2
Special specification	Bathtub without whirl system, with sensor control: Charge 615 – bathtub with LED light, without waste and overflow	Colours	000 – White
	Bathtub with whirl system, with sensor control: Charge 605 – Whirlpool with air massage Charge 635 – Whirlpool with hydro massage Charge 645 – Whirlpool with air and hydro massage		Exclusive anchors and strip clamps order no. 29553.7 Noise control band, order no. 29555.1

TECHNICAL DRAWINGS / S 1 : 40



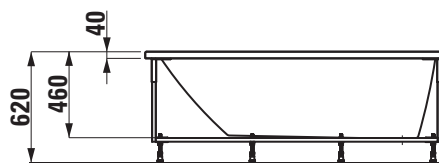
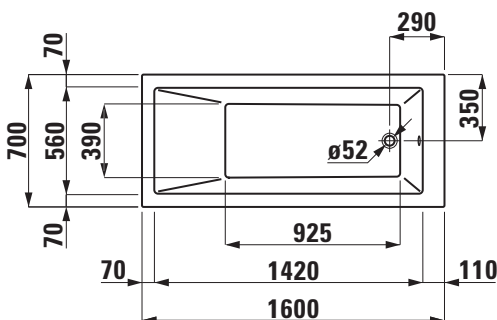
**Bathtub
corner left with L-panel right
23395.6**



TECHNICAL DATA

Order no.	23395.6	Weight	Charge 000, 615 – 31,5 kg
Certified to	EN 14516 (EN 198), EN 232, EN 12764		Charge 605, 635, 645 – 47,5 kg
Dimensions	1600 x 700 mm	Mounting acc. incl.	Charge 605, 635, 645 – waste and overflow, chromed
Depth	460 mm	Mounting acc. excl.	Charge 000, 615 – waste and overflow, chromed order no. 29511.0
Use capacity	125 litre (total: 195 litre)		Charge 000, 615 – combined water inlet and overflow, chromed, order no. 29511.1
Specification	Bathtub made of sanitary acrylic of 4-5 mm for the left corner with L-panel right With aluminium frame and standard wall fixing elements Charge 000 – without whirl system, without waste and overflow		Charge 605, 635, 645 – combined water inlet and overflow, chromed, order no. 29511.2 Exclusive anchors and strip clamps order no. 29553.7 Noise control band, order no. 29555.1
Special specification	Bathtub without whirl system, with sensor control: Charge 615 – bathtub with LED light, without waste and overflow Bathtub with whirl system, with sensor control: Charge 605 – Whirlpool with air massage Charge 635 – Whirlpool with hydro massage Charge 645 – Whirlpool with air and hydro massage	Colours	000 – White

TECHNICAL DRAWINGS / S 1 : 40



SET LAUFEN PRO

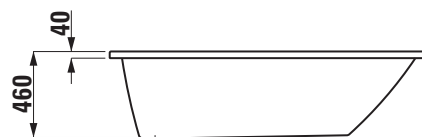
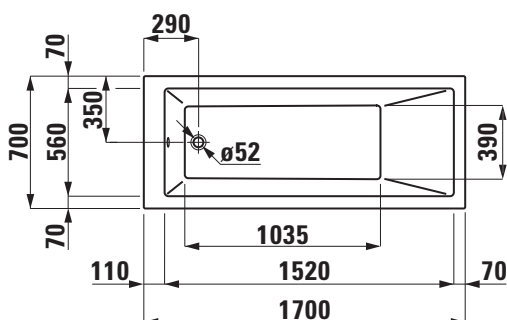
Bathtub drop-in version 23095.0



TECHNICAL DATA

Order no.	23095.0	Mounting acc. excl.	Feet solution with standard wall fixing elements, order no. 29617.0
Certified to	EN 14516 (EN 198), EN 232		Waste and overflow, chromed, order no. 29511.0
Dimensions	1700 x 700 mm		Combined water inlet and overflow, chromed order no. 29511.1
Depth	460 mm		Exclusive anchors and strip clamps order no. 29553.7
Use capacity	160 litre (total: 230 litre)		Noise control band, order no. 29555.1
Specification	Bathtub made of sanitary acrylic of 4-5 mm Drop-in version, without frame With aluminium profiles for feet solution LAUFEN, order no. 29617.0 Charge 000 – without whirl system, without waste and overflow	Colours	000 – White
Weight	20,0 kg		

TECHNICAL DRAWINGS / S 1 : 40

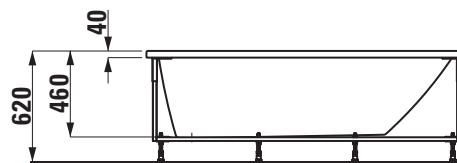
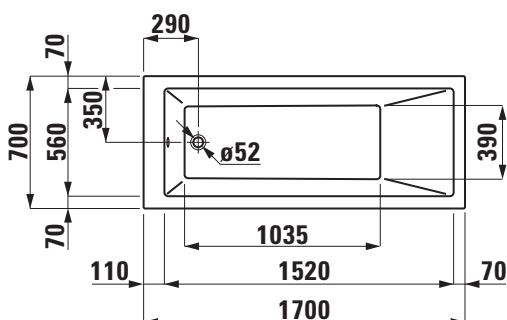




TECHNICAL DATA

Order no.	23095.1	Weight	Charge 000, 615 – 26,0 kg
Certified to	EN 14516 (EN 198), EN 232, EN 12764		Charge 605, 635, 645 – 47,0 kg
Dimensions	1700 x 700 mm	Mounting acc. incl.	Charge 605, 635, 645 – waste and overflow, chromed
Depth	460 mm	Mounting acc. excl.	Charge 000, 615 – waste and overflow, chromed order no. 29511.0
Use capacity	160 litre (total: 230 litre)		Charge 000, 615 – combined water inlet and overflow, chromed, order no. 29511.1
Specification	Bathtub made of sanitary acrylic of 4-5 mm Fitted version, without panel With aluminium frame and standard wall fixing elements Charge 000 – without whirl system, without waste and overflow		Charge 605, 635, 645 – combined water inlet and overflow, chromed, order no. 29511.2
Special specification	Bathtub without whirl system, with sensor control: Charge 615 – bathtub with LED light, without waste and overflow		Exclusive anchors and strip clamps order no. 29553.7
	Bathtub with whirl system, with sensor control: Charge 605 – Whirlpool with air massage Charge 635 – Whirlpool with hydro massage Charge 645 – Whirlpool with air and hydro massage		Noise control band, order no. 29555.1
		Colours	000 – White

TECHNICAL DRAWINGS / S 1 : 40



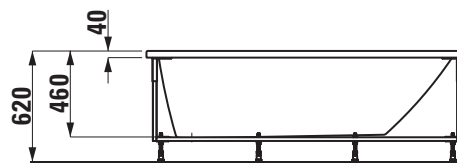
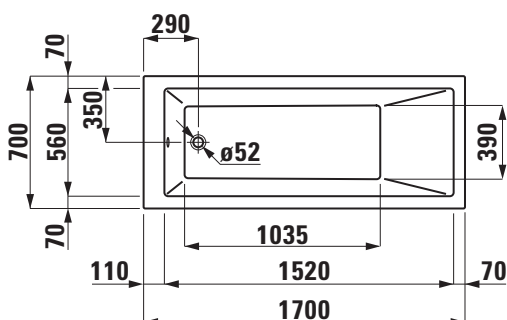
**Bathtub
corner right with L-panel left
23095.5**



TECHNICAL DATA

Order no.	23095.5	Weight	Charge 000, 615 – 34,5 kg
Certified to	EN 14516 (EN 198), EN 232, EN 12764		Charge 605, 635, 645 – 55,5 kg
Dimensions	1700 x 700 mm	Mounting acc. incl.	Charge 605, 635, 645 – waste and overflow, chromed
Depth	460 mm	Mounting acc. excl.	Charge 000, 615 – waste and overflow, chromed order no. 29511.0
Use capacity	160 litre (total: 230 litre)		Charge 000, 615 – combined water inlet and overflow, chromed, order no. 29511.1
Specification	Bathtub made of sanitary acrylic of 4-5 mm for the right corner with L-panel left With aluminium frame and standard wall fixing elements Charge 000 – without whirl system, without waste and overflow		Charge 605, 635, 645 – combined water inlet and overflow, chromed, order no. 29511.2
Special specification	Bathtub without whirl system, with sensor control: Charge 615 – bathtub with LED light, without waste and overflow		Exclusive anchors and strip clamps order no. 29553.7
	Bathtub with whirl system, with sensor control: Charge 605 – Whirlpool with air massage Charge 635 – Whirlpool with hydro massage Charge 645 – Whirlpool with air and hydro massage		Noise control band, order no. 29555.1
		Colours	000 – White

TECHNICAL DRAWINGS / S 1 : 40



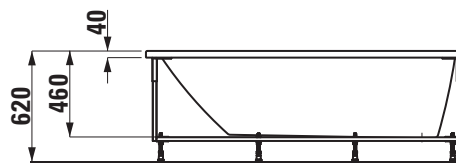
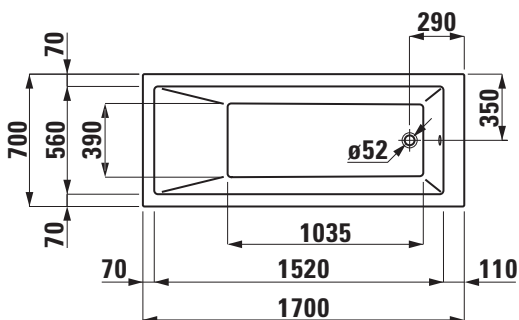
**Bathtub
corner left with L-panel right
23095.6**



TECHNICAL DATA

Order no.	23095.6	Weight	Charge 000, 615 – 34,5 kg
Certified to	EN 14516 (EN 198), EN 232, EN 12764		Charge 605, 635, 645 – 55,5 kg
Dimensions	1700 x 700 mm	Mounting acc. incl.	Charge 605, 635, 645 – waste and overflow, chromed
Depth	460 mm	Mounting acc. excl.	Charge 000, 615 – waste and overflow, chromed order no. 29511.0
Use capacity	160 litre (total: 230 litre)		Charge 000, 615 – combined water inlet and overflow, chromed, order no. 29511.1
Specification	Bathtub made of sanitary acrylic of 4-5 mm for the left corner with L-panel right With aluminium frame and standard wall fixing elements Charge 000 – without whirl system, without waste and overflow		Charge 605, 635, 645 – combined water inlet and overflow, chromed, order no. 29511.2 Exclusive anchors and strip clamps order no. 29553.7 Noise control band, order no. 29555.1
Special specification	Bathtub without whirl system, with sensor control: Charge 615 – bathtub with LED light, without waste and overflow Bathtub with whirl system, with sensor control: Charge 605 – Whirlpool with air massage Charge 635 – Whirlpool with hydro massage Charge 645 – Whirlpool with air and hydro massage	Colours	000 – White

TECHNICAL DRAWINGS / S 1 : 40



SET LAUFEN PRO

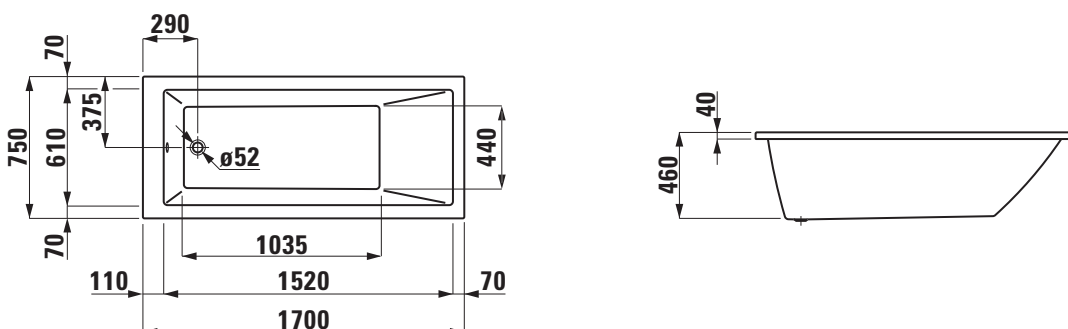
Bathtub drop-in version 23195.0



TECHNICAL DATA

Order no.	23195.0	Mounting acc. excl.	Feet solution with standard wall fixing elements, order no. 29617.0
Certified to	EN 14516 (EN 198), EN 232		Waste and overflow, chromed, order no. 29511.0
Dimensions	1700 x 750 mm		Combined water inlet and overflow, chromed order no. 29511.1
Depth	460 mm		Exclusive anchors and strip clamps order no. 29553.7
Use capacity	185 litre (total: 255 litre)		Noise control band, order no. 29555.1
Specification	Bathtub made of sanitary acrylic of 4-5 mm Drop-in version, without frame With aluminium profiles for feet solution LAUFEN, order no. 29617.0 Charge 000 – without whirl system, without waste and overflow	Colours	000 – White
Weight	27,0 kg		

TECHNICAL DRAWINGS / S 1 : 40

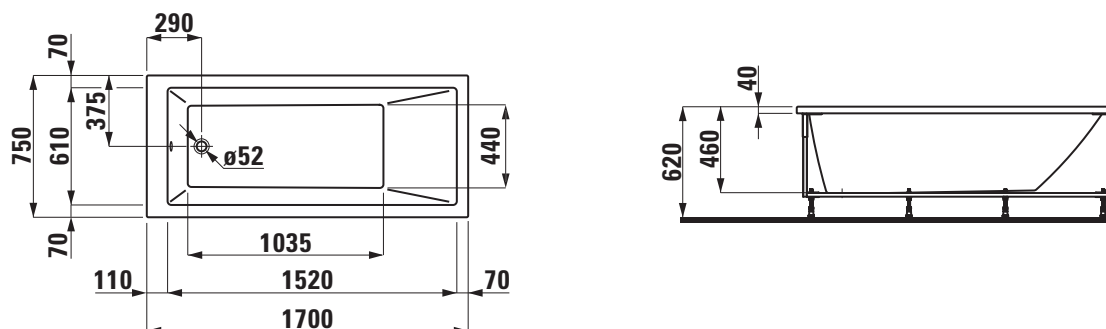




TECHNICAL DATA

Order no.	23195.1	Weight	Charge 000, 615 – 33,0 kg Charge 605, 635, 645 – 48,0 kg
Certified to	EN 14516 (EN 198), EN 232, EN 12764	Mounting acc. incl.	Charge 605, 635, 645 – waste and overflow, chromed
Dimensions	1700 x 750 mm	Mounting acc. excl.	Charge 000, 615 – waste and overflow, chromed order no. 29511.0 Charge 000, 615 – combined water inlet and overflow, chromed, order no. 29511.1 Charge 605, 635, 645 – combined water inlet and overflow, chromed, order no. 29511.2 Exclusive anchors and strip clamps order no. 29553.7 Noise control band, order no. 29555.1
Depth	460 mm	Colours	000 – White
Use capacity	185 litre (total: 255 litre)		
Specification	Bathtub made of sanitary acrylic of 4-5 mm Fitted version, without panel With aluminium frame and standard wall fixing elements Charge 000 – without whirl system, without waste and overflow		
Special specification	Bathtub without whirl system, with sensor control: Charge 615 – bathtub with LED light, without waste and overflow Bathtub with whirl system, with sensor control: Charge 605 – Whirlpool with air massage Charge 635 – Whirlpool with hydro massage Charge 645 – Whirlpool with air and hydro massage		

TECHNICAL DRAWINGS / S 1 : 40



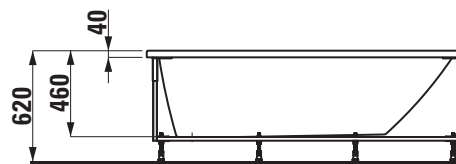
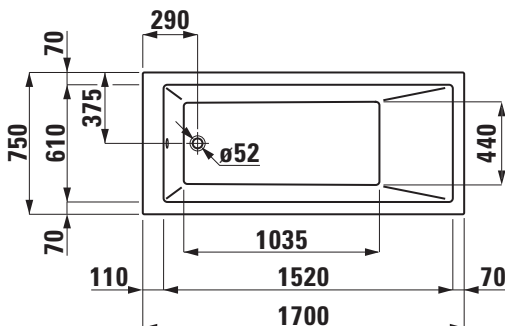
**Bathtub
corner right with L-panel left
23195.5**



TECHNICAL DATA

Order no.	23195.5	Weight	Charge 000, 615 – 41,5 kg
Certified to	EN 14516 (EN 198), EN 232, EN 12764		Charge 605, 635, 645 – 56,5 kg
Dimensions	1700 x 750 mm	Mounting acc. incl.	Charge 605, 635, 645 – waste and overflow, chromed
Depth	460 mm	Mounting acc. excl.	Charge 000, 615 – waste and overflow, chromed order no. 29511.0
Use capacity	185 litre (total: 255 litre)		Charge 000, 615 – combined water inlet and overflow, chromed, order no. 29511.1
Specification	Bathtub made of sanitary acrylic of 4-5 mm for the right corner with L-panel left With aluminium frame and standard wall fixing elements Charge 000 – without whirl system, without waste and overflow		Charge 605, 635, 645 – combined water inlet and overflow, chromed, order no. 29511.2
Special specification	Bathtub without whirl system, with sensor control: Charge 615 – bathtub with LED light, without waste and overflow		Exclusive anchors and strip clamps order no. 29553.7
	Bathtub with whirl system, with sensor control: Charge 605 – Whirlpool with air massage Charge 635 – Whirlpool with hydro massage Charge 645 – Whirlpool with air and hydro massage	Colours	Noise control band, order no. 29555.1
			000 – White

TECHNICAL DRAWINGS / S 1 : 40



SET LAUFEN PRO

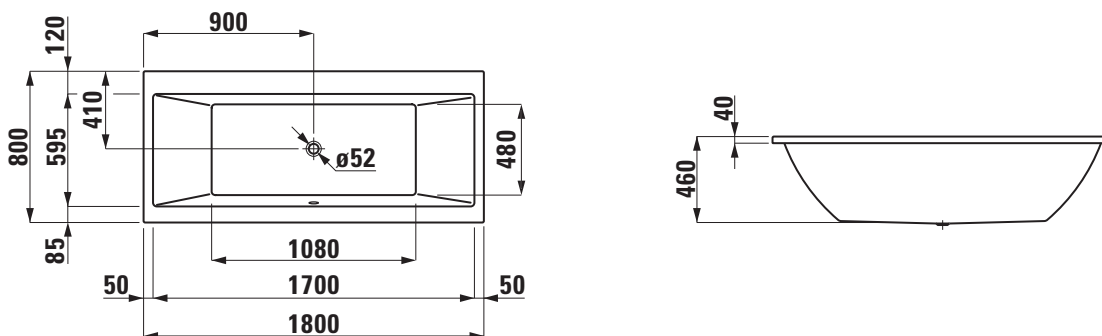
Bathtub drop-in version 23295.0



TECHNICAL DATA

Order no.	23295.0	Mounting acc. excl.	Feet solution with standard wall fixing elements, order no. 29617.0
Certified to	EN 14516 (EN 198), EN 232		Waste and overflow, chromed, order no. 29511.0
Dimensions	1800 x 800 mm		Combined water inlet and overflow, chromed order no. 29511.1
Depth	460 mm		Exclusive anchors and strip clamps order no. 29553.7
Use capacity	225 litre (total: 295 litre)		Noise control band, order no. 29555.1
Specification	Bathtub made of sanitary acrylic of 4-5 mm Drop-in version, without frame With aluminium profiles for feet solution LAUFEN, order no. 29617.0 Charge 000 – without whirl system, without waste and overflow	Colours	000 – White
Weight	31,0 kg		

TECHNICAL DRAWINGS / S 1 : 40

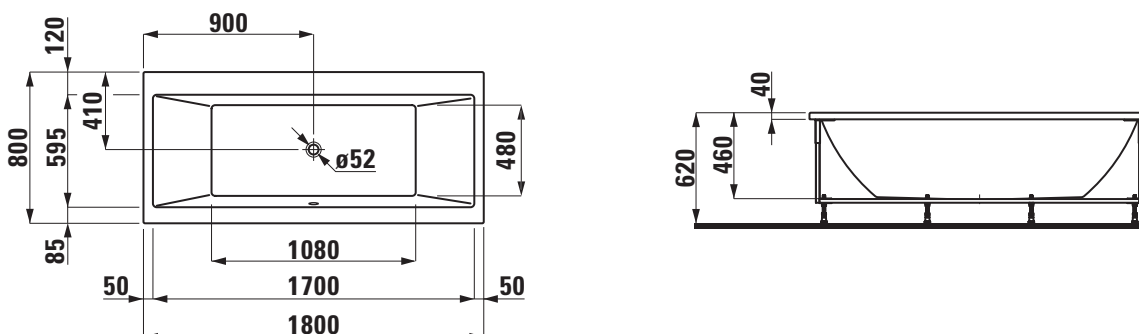




TECHNICAL DATA

Order no.	23295.1	Weight	Charge 000, 615 – 40,6 kg Charge 605, 635-695 – 58,0 kg
Certified to	EN 14516 (EN 198), EN 232, EN 12764	Mounting acc. incl.	Charge 605, 635-695 – waste and overflow, chromed
Dimensions	1800 x 800 mm	Mounting acc. excl.	Charge 000, 615 – waste and overflow, chromed order no. 29511.0 Charge 000, 615 – combined water inlet and overflow, chromed, order no. 29511.1 Charge 605, 635-695 – combined water inlet and overflow, chromed, order no. 29511.2 Exclusive anchors and strip clamps order no. 29553.7 Noise control band, order no. 29555.1
Depth	460 mm	Colours	000 – White
Use capacity	225 litre (total: 295 litre)		
Specification	Bathtub made of sanitary acrylic of 4-5 mm Fitted version, without panel With aluminium frame and standard wall fixing elements Charge 000 – without whirl system, without waste and overflow		
Special specification	Bathtub without whirl system, with sensor control: Charge 615 – bathtub with LED light, without waste and overflow Bathtub with whirl system, with sensor control: Charge 605 – Whirlpool with air massage Charge 635 – Whirlpool with hydro massage Charge 645 – Whirlpool with air and hydro massage Charge 675 – Whirlpool with air and hydro massage and LED light Charge 695 – Whirlpool with air and hydro massage, disinfection system and LED light		

TECHNICAL DRAWINGS / S 1 : 40



SET LAUFEN PRO

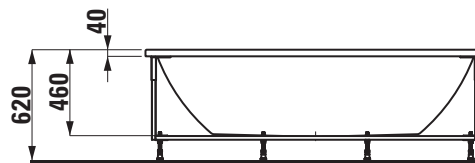
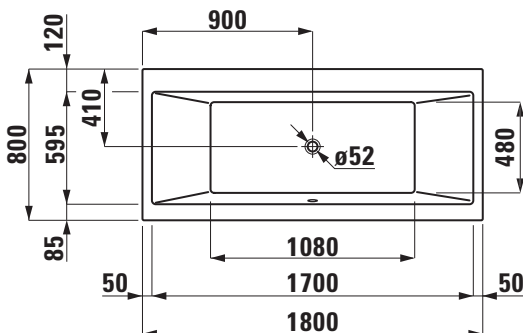
Bathtub corner right with L-panel left 23295.5



TECHNICAL DATA

Order no.	23295.5	Weight	Charge 000, 615 – 50,6 kg Charge 605, 635-695 – 68,0 kg
Certified to	EN 14516 (EN 198), EN 232, EN 12764	Mounting acc. incl.	Charge 605, 635-695 – waste and overflow, chromed
Dimensions	1800 x 800 mm	Mounting acc. excl.	Charge 000, 615 – waste and overflow, chromed order no. 29511.0 Charge 000, 615 – combined water inlet and overflow, chromed, order no. 29511.1 Charge 605, 635-695 – combined water inlet and overflow, chromed, order no. 29511.2 Exclusive anchors and strip clamps order no. 29553.7 Noise control band, order no. 29555.1
Depth	460 mm	Colours	000 – White
Use capacity	225 litre (total: 295 litre)		
Specification	Bathtub made of sanitary acrylic of 4-5 mm for the right corner with L-panel left With aluminium frame and standard wall fixing elements Charge 000 – without whirl system, without waste and overflow		
Special specification	Bathtub without whirl system, with sensor control: Charge 615 – bathtub with LED light, without waste and overflow Bathtub with whirl system, with sensor control: Charge 605 – Whirlpool with air massage Charge 635 – Whirlpool with hydro massage Charge 645 – Whirlpool with air and hydro massage Charge 675 – Whirlpool with air and hydro massage and LED light Charge 695 – Whirlpool with air and hydro massage, disinfection system and LED light		

TECHNICAL DRAWINGS / S 1 : 40



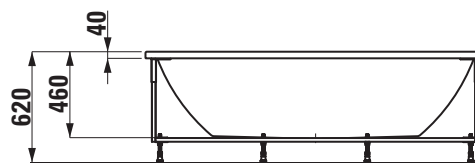
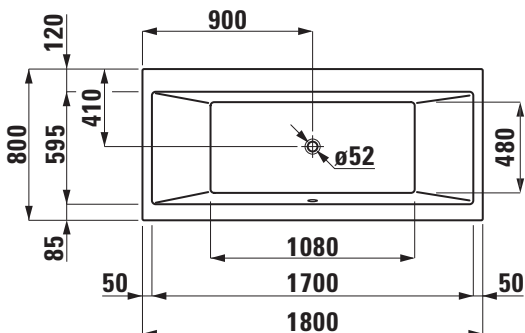
**Bathtub
corner left with L-panel right
23295.6**



TECHNICAL DATA

Order no.	23295.6	Weight	Charge 000, 615 – 50,6 kg Charge 605, 635-695 – 68,0 kg
Certified to	EN 14516 (EN 198), EN 232, EN 12764	Mounting acc. incl.	Charge 605, 635-695 – waste and overflow, chromed
Dimensions	1800 x 800 mm	Mounting acc. excl.	Charge 000, 615 – waste and overflow, chromed order no. 29511.0 Charge 000, 615 – combined water inlet and overflow, chromed, order no. 29511.1 Charge 605, 635-695 – combined water inlet and overflow, chromed, order no. 29511.2 Exclusive anchors and strip clamps order no. 29553.7 Noise control band, order no. 29555.1
Depth	460 mm	Colours	000 – White
Use capacity	225 litre (total: 295 litre)		
Specification	Bathtub made of sanitary acrylic of 4-5 mm for the left corner with L-panel right With aluminium frame and standard wall fixing elements Charge 000 – without whirl system, without waste and overflow		
Special specification	Bathtub without whirl system, with sensor control: Charge 615 – bathtub with LED light, without waste and overflow Bathtub with whirl system, with sensor control: Charge 605 – Whirlpool with air massage Charge 635 – Whirlpool with hydro massage Charge 645 – Whirlpool with air and hydro massage Charge 675 – Whirlpool with air and hydro massage and LED light Charge 695 – Whirlpool with air and hydro massage, disinfection system and LED light		

TECHNICAL DRAWINGS / S 1 : 40



SET LAUFEN PRO

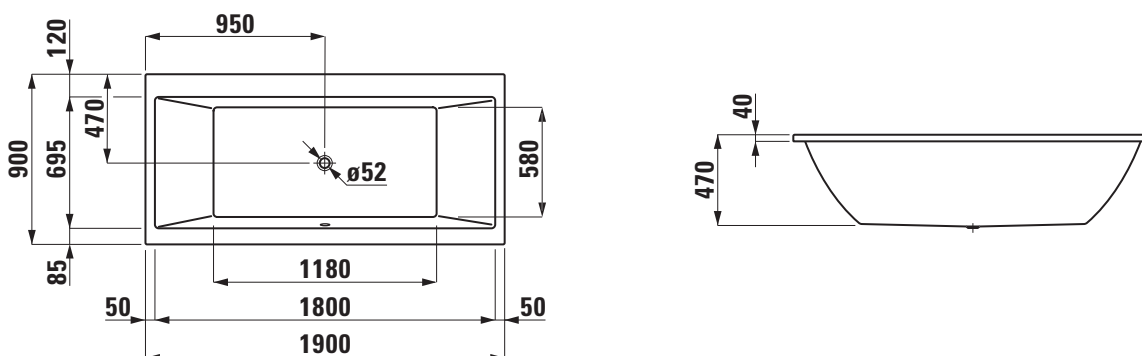
Bathtub drop-in version 23495.0



TECHNICAL DATA

Order no.	23495.0	Mounting acc. excl.	Feet solution with standard wall fixing elements, order no. 29617.7
Certified to	EN 14516 (EN 198), EN 232		Waste and overflow, chromed, order no. 29511.0
Dimensions	1900 x 900 mm		Combined water inlet and overflow, chromed order no. 29511.1
Depth	470 mm		Exclusive anchors and strip clamps order no. 29553.7
Use capacity	260 litre (total: 330 litre)		Noise control band, order no. 29555.1
Specification	Bathtub made of sanitary acrylic of 4-5 mm Drop-in version, without frame With aluminium profiles for feet solution LAUFEN, order no. 29617.7 Charge 000 – without whirl system, without waste and overflow	Colours	000 – White
Weight	33,0 kg		

TECHNICAL DRAWINGS / S 1 : 40

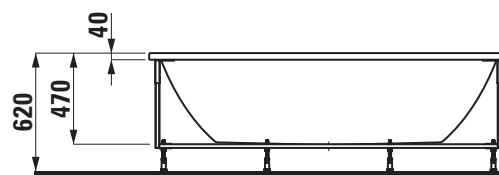
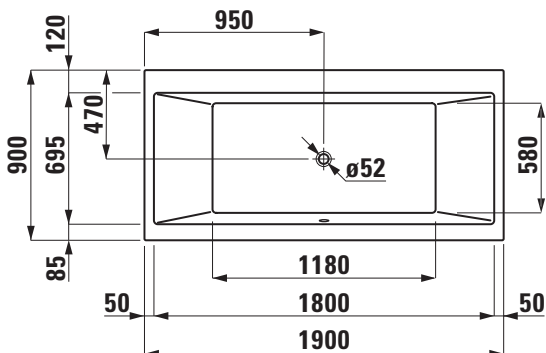




TECHNICAL DATA

Order no.	23495.1	Weight	Charge 000, 615 – 43,0 kg Charge 605, 635-695 – 62,0 kg
Certified to	EN 14516 (EN 198), EN 232, EN 12764	Mounting acc. incl.	Charge 605, 635-695 – waste and overflow, chromed
Dimensions	1900 x 900 mm	Mounting acc. excl.	Charge 000, 615 – waste and overflow, chromed order no. 29511.0 Charge 000, 615 – combined water inlet and overflow, chromed, order no. 29511.1 Charge 605, 635-695 – combined water inlet and overflow, chromed, order no. 29511.2 Exclusive anchors and strip clamps order no. 29553.7 Noise control band, order no. 29555.1
Depth	470 mm	Colours	000 – White
Use capacity	260 litre (total: 330 litre)		
Specification	Bathtub made of sanitary acrylic of 4-5 mm Fitted version, without panel With aluminium frame and standard wall fixing elements Charge 000 – without whirl system, without waste and overflow		
Special specification	Bathtub without whirl system, with sensor control: Charge 615 – bathtub with LED light, without waste and overflow Bathtub with whirl system, with sensor control: Charge 605 – Whirlpool with air massage Charge 635 – Whirlpool with hydro massage Charge 645 – Whirlpool with air and hydro massage Charge 675 – Whirlpool with air and hydro massage and LED light Charge 695 – Whirlpool with air and hydro massage, disinfection system and LED light		

TECHNICAL DRAWINGS / S 1 : 40



SET LAUFEN PRO

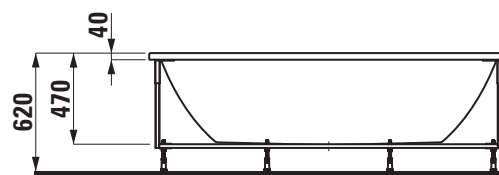
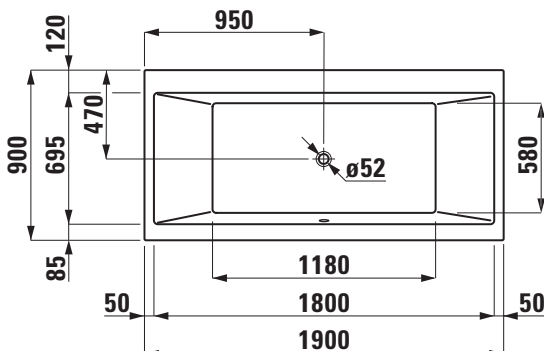
Bathtub corner right with L-panel left 23495.5



TECHNICAL DATA

Order no.	23495.5	Weight	Charge 000, 615 – 54,0 kg Charge 605, 635-695 – 73,0 kg
Certified to	EN 14516 (EN 198), EN 232, EN 12764	Mounting acc. incl.	Charge 605, 635-695 – waste and overflow, chromed
Dimensions	1900 x 900 mm	Mounting acc. excl.	Charge 000, 615 – waste and overflow, chromed order no. 29511.0 Charge 000, 615 – combined water inlet and overflow, chromed, order no. 29511.1 Charge 605, 635-695 – combined water inlet and overflow, chromed, order no. 29511.2 Exclusive anchors and strip clamps order no. 29553.7 Noise control band, order no. 29555.1
Depth	470 mm	Colours	000 – White
Use capacity	260 litre (total: 330 litre)		
Specification	Bathtub made of sanitary acrylic of 4-5 mm for the right corner with L-panel left With aluminium frame and standard wall fixing elements Charge 000 – without whirl system, without waste and overflow		
Special specification	Bathtub without whirl system, with sensor control: Charge 615 – bathtub with LED light, without waste and overflow Bathtub with whirl system, with sensor control: Charge 605 – Whirlpool with air massage Charge 635 – Whirlpool with hydro massage Charge 645 – Whirlpool with air and hydro massage Charge 675 – Whirlpool with air and hydro massage and LED light Charge 695 – Whirlpool with air and hydro massage, disinfection system and LED light		

TECHNICAL DRAWINGS / S 1 : 40



SET LAUFEN PRO

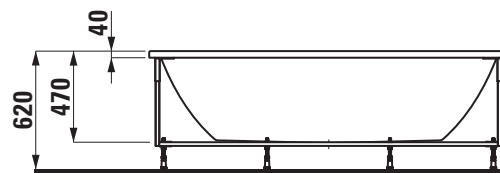
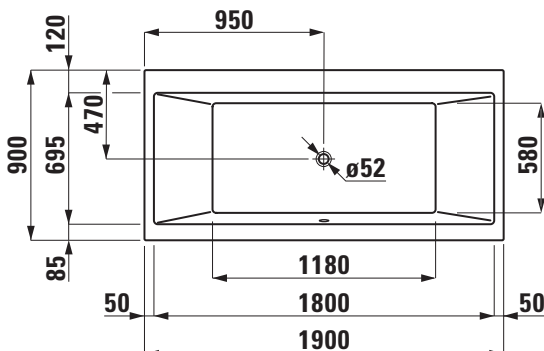
Bathtub corner left with L-panel right 23495.6



TECHNICAL DATA

Order no.	23495.6	Weight	Charge 000, 615 – 54,0 kg Charge 605, 635-695 – 73,0 kg
Certified to	EN 14516 (EN 198), EN 232, EN 12764	Mounting acc. incl.	Charge 605, 635-695 – waste and overflow, chromed
Dimensions	1900 x 900 mm	Mounting acc. excl.	Charge 000, 615 – waste and overflow, chromed order no. 29511.0 Charge 000, 615 – combined water inlet and overflow, chromed, order no. 29511.1 Charge 605, 635-695 – combined water inlet and overflow, chromed, order no. 29511.2 Exclusive anchors and strip clamps order no. 29553.7 Noise control band, order no. 29555.1
Depth	470 mm	Colours	000 – White
Use capacity	260 litre (total: 330 litre)		
Specification	Bathtub made of sanitary acrylic of 4-5 mm for the left corner with L-panel right With aluminium frame and standard wall fixing elements Charge 000 – without whirl system, without waste and overflow		
Special specification	Bathtub without whirl system, with sensor control: Charge 615 – bathtub with LED light, without waste and overflow Bathtub with whirl system, with sensor control: Charge 605 – Whirlpool with air massage Charge 635 – Whirlpool with hydro massage Charge 645 – Whirlpool with air and hydro massage Charge 675 – Whirlpool with air and hydro massage and LED light Charge 695 – Whirlpool with air and hydro massage, disinfection system and LED light		

TECHNICAL DRAWINGS / S 1 : 40



**LAUFEN PRO
MARBOND SHOWER TRAYS**

SET LAUFEN PRO

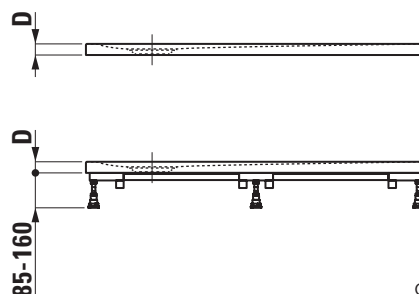
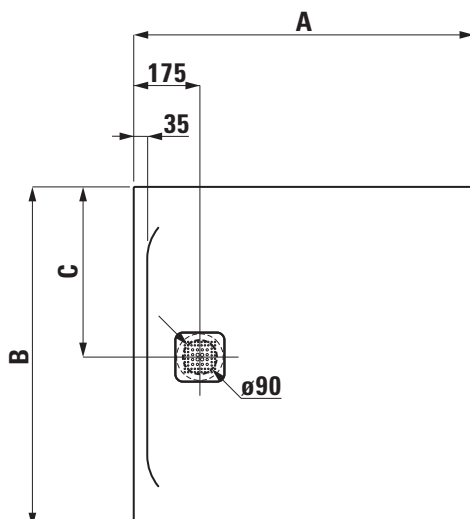
Shower tray MARBOND square 21095.0 21095.6 21195.2 21195.8



TECHNICAL DATA

Order no.	21095.0 / 800 mm 21095.6 / 900 mm 21195.2 / 1000 mm 21195.8 / 1200 mm	Mounting acc. excl.	Installation frame, adjustable height between 85-160 mm, order no. 29844.1 Antinoise set for the frame installation to fulfil DIN 4109 and SIA 181, order no. 29898.8 3-D sealing tape: Sealing set 3,0 m, for sealed sides \leq 3 m, includes 1 sealing tape (width 120 mm, length 3 m), 3-D inside corner for sealing (1 piece) and 2x 3 m antinoise tape (width 30 mm), order no. 29564.2 Additional sealing set 2,0 m, for sealed sides \geq 3 m, order no. 29564.7 3-D sealing corners: Inside corner, 1 piece, order no. 29564.3 Outside corner for floor-even installation, set 3 parts, order no. 29564.4 Dispersion sealing composition, tube 500 ml, order no. 29564.5 Noise control band, order no. 29555.1
Certified to	EN 14257, EN 251		
Dimensions	see table below		
Depth	see table below		
Specification	Square shower tray made of Marbond (Gel Coat surface matt, with structure) with Antislip, Class C (DIN 51097) Removable siphon cover, stainless steel For floor-even installation or on floor installation		
Weight	21095.0 – 24,0 kg / 21095.6 – 31,0 kg 21195.2 – 43,0 kg / 21195.8 – 66,0 kg		
Mounting acc. excl.	Mounting box type DN 50, height 100 mm incl. waste, \varnothing 90 mm without cover (pre-assembled) left, order no. 29004.3, right, order no. 29004.4 Mounting box type DN 40, height 75 mm incl. waste, \varnothing 90 mm without cover (pre-assembled) left, order no. 29003.3, right, order no. 29003.4 Waste DN 50, \varnothing 90 mm without cover, order no. 29512.7 Mounting box type DN 50, height 100 mm, left, order no. 29004.1, right, order no. 29004.2 Mounting box type DN 40, height 75 mm, left, order no. 29003.1, right, order no. 29003.2	Otherwise	For customised Marbond shower trays order no. 21295.0 please use the order form.
		Colours	000 – White matt structured, 077 – Light grey matt structured, 078 – Anthracite matt structured

TECHNICAL DRAWINGS / S 1 : 20

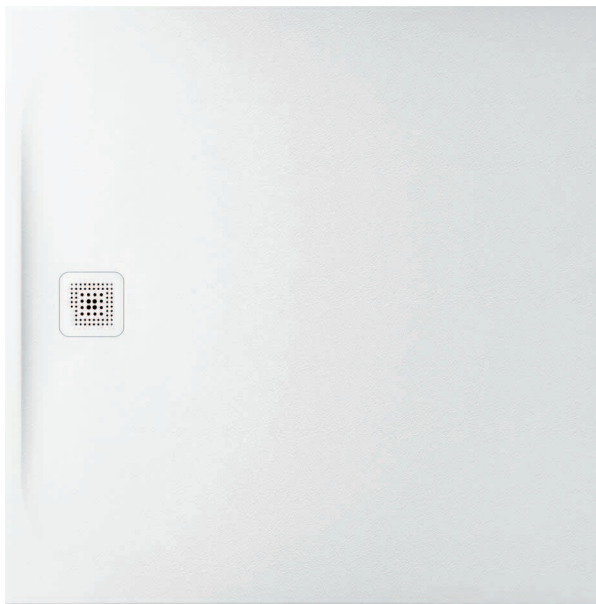


Order no.	A / mm	B / mm	C / mm	D / mm
21095.0	800	800	400	29
21095.6	900	900	450	30
21195.2	1000	1000	500	33
21195.8	1200	1200	600	33

SET LAUFEN PRO

Shower tray MARBOND

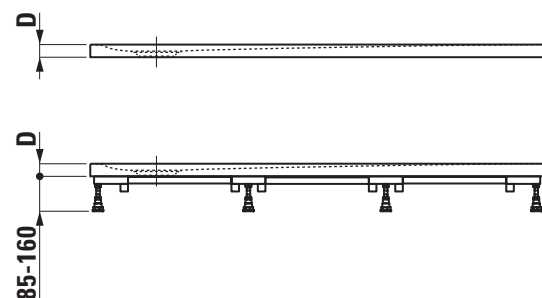
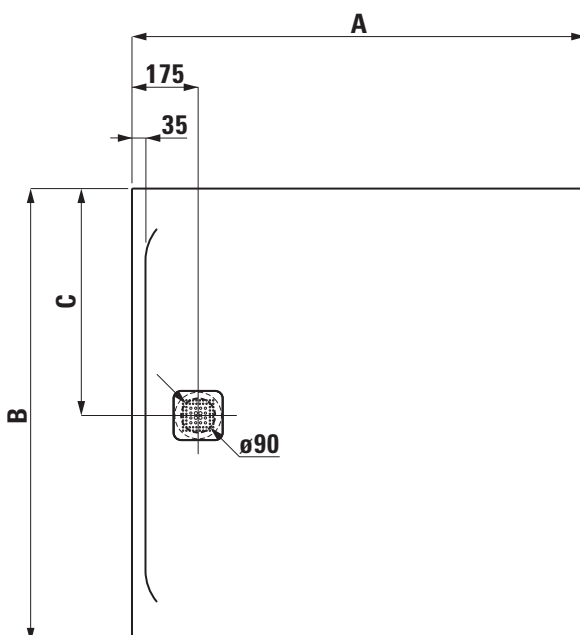
square
 21295.8
 21395.3



TECHNICAL DATA

Order no.	21295.8 / 1400 mm 21395.3 / 1500 mm	Mounting acc. excl.	Installation frame, adjustable height between 85-160 mm, order no. 29844.2
Certified to	EN 14257, EN 251		Antinoise set for the frame installation to fulfil DIN 4109 and SIA 181, order no. 29898.9
Dimensions	see table below		3-D sealing tape:
Depth	see table below		Sealing set 3,0 m, for sealed sides \leq 3 m, includes 1 sealing tape (width 120 mm, length 3 m), 3-D inside corner for sealing (1 piece) and 2x 3 m antinoise tape (width 30 mm), order no. 29564.2
Specification	Square shower tray made of Marbond (Gel Coat surface matt, with structure) with Antislip, Class C (DIN 51097) Removable siphon cover, stainless steel For floor-even installation or on floor installation		Additional sealing set 2,0 m, for sealed sides \geq 3 m, order no. 29564.7
Weight	21295.8 – 74,0 kg / 21395.3 – 98,0 kg		3-D sealing corners:
Mounting acc. excl.	Mounting box type DN 50, height 100 mm incl. waste, \varnothing 90 mm without cover (pre-assembled) left, order no. 29004.3, right, order no. 29004.4 Mounting box type DN 40, height 75 mm incl. waste, \varnothing 90 mm without cover (pre-assembled) left, order no. 29003.3, right, order no. 29003.4 Waste DN 50, \varnothing 90 mm without cover, order no. 29512.7 Mounting box type DN 50, height 100 mm, left, order no. 29004.1, right, order no. 29004.2 Mounting box type DN 40, height 75 mm, left, order no. 29003.1, right, order no. 29003.2		Inside corner, 1 piece, order no. 29564.3 Outside corner for floor-even installation, set 3 parts, order no. 29564.4 Dispersion sealing composition, tube 500 ml, order no. 29564.5 Noise control band, order no. 29555.1
		Otherwise	For customised Marbond shower trays order no. 21295.0 please use the order form.
		Colours	000 – White matt structured, 077 – Light grey matt structured, 078 – Anthracite matt structured

TECHNICAL DRAWINGS / S 1 : 20



Order no.	A / mm	B / mm	C / mm	D / mm
21295.8	1400	1400	700	40
21395.3	1500	1500	750	40

SET LAUFEN PRO

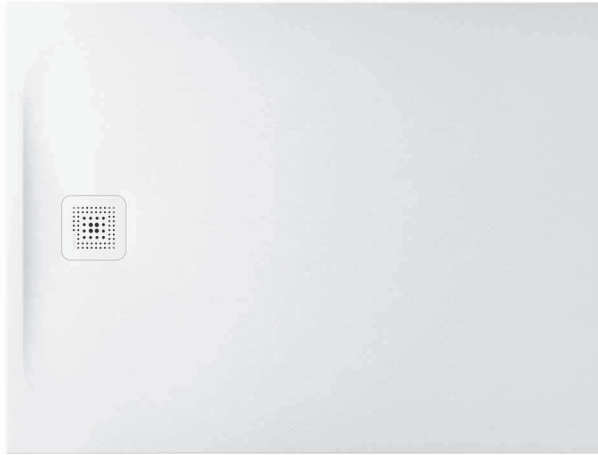
Shower tray MARBOND rectangular

21095.1 / 21095.7

21295.4 / 21295.5

21295.1 / 21095.2

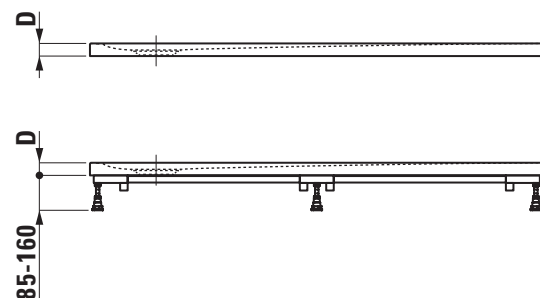
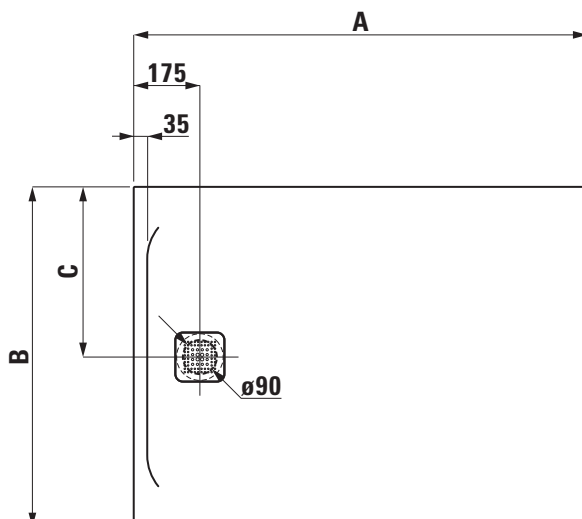
21095.8 / 21195.3



TECHNICAL DATA

Order no.	21095.1, 21095.7 / 1000 mm 21295.4, 21295.5 / 1100 mm 21295.1, 21095.2, 21095.8, 21195.3 / 1200 mm	Mounting acc. excl.	Installation frame, adjustable height between 85-160 mm, order no. 29844.1 Antinoise set for the frame installation to fulfil DIN 4109 and SIA 181, order no. 29898.8 3-D sealing tape: Sealing set 3,0 m, for sealed sides \leq 3 m, includes 1 sealing tape (width 120 mm, length 3 m), 3-D inside corner for sealing (1 piece) and 2x 3 m antinoise tape (width 30 mm), order no. 29564.2 Additional sealing set 2,0 m, for sealed sides \geq 3 m, order no. 29564.7 3-D sealing corners: Inside corner, 1 piece, order no. 29564.3 Outside corner for floor-even installation, set 3 parts, order no. 29564.4 Dispersion sealing composition, tube 500 ml, order no. 29564.5 Noise control band, order no. 29555.1
Certified to	EN 14257, EN 251	Otherwise	For customised Marbond shower trays order no. 21295.0 please use the order form.
Dimensions	see table below	Colours	000 – White matt structured, 077 – Light grey matt structured, 078 – Anthracite matt structured
Depth	see table below		
Specification	Rectangular shower tray made of Marbond (Gel Coat surface matt, with structure) with Antislip, Class C (DIN 51097) Removable siphon cover, stainless steel For floor-even installation or on floor installation		
Weight	21095.1 – 36,0 kg / 21095.7 – 38,5 kg 21295.4 – 45,0 kg / 21295.5 – 50,5 kg 21295.1 – 38,0 kg / 21095.2 – 35,0 kg 21095.8 – 44,0 kg / 21195.3 – 53,0 kg		
Mounting acc. excl.	Mounting box type DN 50, height 100 mm incl. waste, \varnothing 90 mm without cover (pre-assembled) left, order no. 29004.3, right, order no. 29004.4 Mounting box type DN 40, height 75 mm incl. waste, \varnothing 90 mm without cover (pre-assembled) left, order no. 29003.3, right, order no. 29003.4 Waste DN 50, \varnothing 90 mm without cover, order no. 29512.7 Mounting box type DN 50, height 100 mm, left, order no. 29004.1, right, order no. 29004.2 Mounting box type DN 40, height 75 mm, left, order no. 29003.1, right, order no. 29003.2		

TECHNICAL DRAWINGS / S 1 : 20



Order no.	A / mm	B / mm	C / mm	D / mm
21095.1	1000	800	400	33
21095.7	1000	900	450	33
21295.4	1100	800	400	33
21295.5	1100	900	450	33
21295.1	1200	700	350	38
21095.2	1200	800	400	33
21095.8	1200	900	450	33
21195.3	1200	1000	500	33

SET LAUFEN PRO

Shower tray MARBOND rectangular

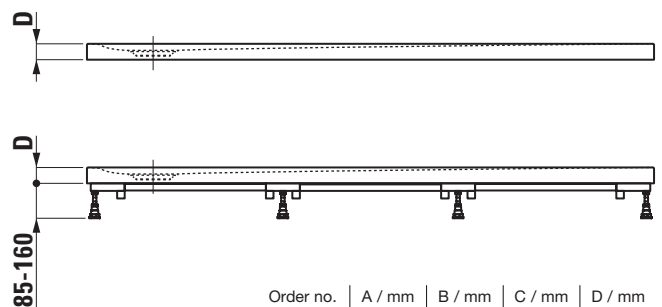
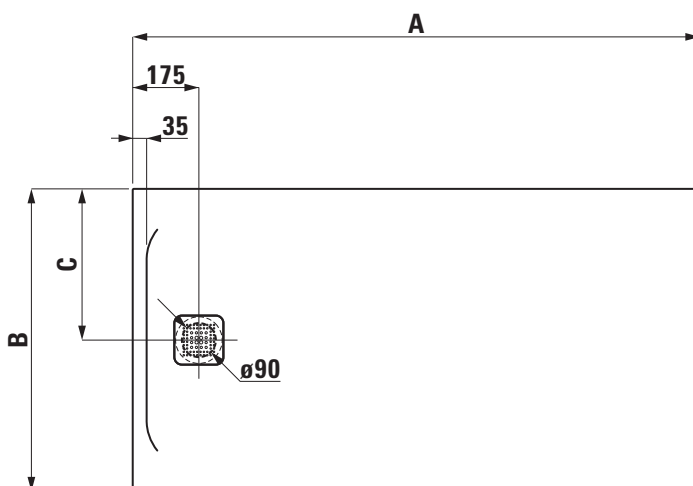
21295.2 / 21295.3 / 21295.6
21295.7 / 21295.9 / 21395.1
21395.2 / 21395.4 / 21395.5
21395.8 / 21395.9



TECHNICAL DATA

Order no.	21295.2 / 1300 mm 21295.3, 21295.6, 21295.7 / 1400 mm 21295.9, 21395.1, 21395.2 / 1500 mm 21395.4, 21395.5, 21395.8, 21395.9 / 1600 mm	Mounting acc. excl.	Installation frame, adjustable height between 85-160 mm, order no. 29844.2 Antinoise set for the frame installation to fulfil DIN 4109 and SIA 181, order no. 29898.9 3-D sealing tape: Sealing set 3,0 m, for sealed sides ≤ 3 m, includes 1 sealing tape (width 120 mm, length 3 m), 3-D inside corner for sealing (1 piece) and 2x 3 m antinoise tape (width 30 mm), order no. 29564.2 Additional sealing set 2,0 m, for sealed sides ≥ 3 m, order no. 29564.7 3-D sealing corners: Inside corner, 1 piece, order no. 29564.3 Outside corner for floor-even installation, set 3 parts, order no. 29564.4 Dispersion sealing composition, tube 500 ml, order no. 29564.5 Noise control band, order no. 29555.1
Certified to	EN 14257, EN 251	Otherwise	For customised Marbond shower trays order no. 21295.0 please use the order form.
Dimensions	see table below	Colours	000 – White matt structured, 077 – Light grey matt structured, 078 – Anthracite matt structured
Depth	see table below		
Specification	Rectangular shower tray made of Marbond (Gel Coat surface matt, with structure) with Antislip, Class C (DIN 51097) Removable siphon cover, stainless steel For floor-even installation or on floor installation		
Weight	21295.2 – 35,0 kg / 21295.3 – 47,0 kg 21295.6 – 48,0 kg / 21295.7 – 52,0 kg 21295.9 – 50,0 kg / 21395.1 – 55,0 kg 21395.2 – 60,0 kg / 21395.4 – 56,0 kg 21395.5 – 55,0 kg / 21395.8 – 62,0 kg 21395.9 – 68,0 kg		
Mounting acc. excl.	Mounting box type DN 50, height 100 mm incl. waste, Ø 90 mm without cover (pre-assembled) left, order no. 29004.3, right, order no. 29004.4 Mounting box type DN 40, height 75 mm incl. waste, Ø 90 mm without cover (pre-assembled) left, order no. 29003.3, right, order no. 29003.4 Waste DN 50, Ø 90 mm without cover, order no. 29512.7 Mounting box type DN 50, height 100 mm, left, order no. 29004.1, right, order no. 29004.2 Mounting box type DN 40, height 75 mm, left, order no. 29003.1, right, order no. 29003.2		

TECHNICAL DRAWINGS / S 1 : 20



Order no.	A / mm	B / mm	C / mm	D / mm
21295.2	1300	700	350	38
21295.3	1400	700	350	38
21295.6	1400	800	400	42
21295.7	1400	900	450	42
21295.9	1500	700	350	42
21395.1	1500	800	400	42
21395.2	1500	900	450	42
21395.4	1600	700	350	42
21395.5	1600	750	375	42
21395.8	1600	800	400	42
21395.9	1600	900	450	42

Shower tray MARBOND rectangular

21495.1

21495.3

21495.9

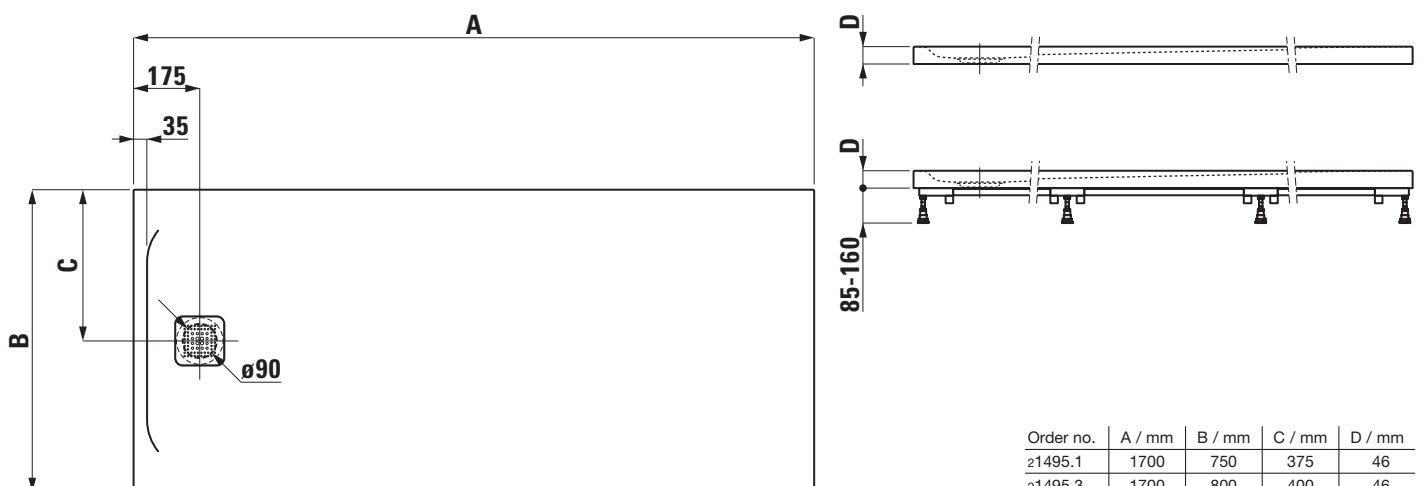
21195.9



TECHNICAL DATA

Order no.	21495.1, 21495.3 / 1700 mm 21495.9, 21195.9 / 1800 mm	Mounting acc. excl.	Installation frame, adjustable height between 85-160 mm, order no. 29844.2
Certified to	EN 14257, EN 251		Antinoise set for the frame installation to fulfil DIN 4109 and SIA 181, order no. 29898.9
Dimensions	see table below		3-D sealing tape:
Depth	see table below		Sealing set 3,0 m, for sealed sides \leq 3 m, includes 1 sealing tape (width 120 mm, length 3 m), 3-D inside corner for sealing (1 piece) and 2x 3 m antinoise tape (width 30 mm), order no. 29564.2
Specification	Rectangular shower tray made of Marbond (Gel Coat surface matt, with structure) with Antislip, Class C (DIN 51097) Removable siphon cover, stainless steel For floor-even installation or on floor installation		Additional sealing set 2,0 m, for sealed sides \geq 3 m, order no. 29564.7
Weight	21495.1 – 44,0 kg / 21495.3 – 45,0 kg 21495.9 – 45,5 kg / 21195.9 – 79,0 kg		3-D sealing corners:
Mounting acc. excl.	Mounting box type DN 50, height 100 mm incl. waste, \varnothing 90 mm without cover (pre-assembled) left, order no. 29004.3, right, order no. 29004.4 Mounting box type DN 40, height 75 mm incl. waste, \varnothing 90 mm without cover (pre-assembled) left, order no. 29003.3, right, order no. 29003.4 Waste DN 50, \varnothing 90 mm without cover, order no. 29512.7 Mounting box type DN 50, height 100 mm, left, order no. 29004.1, right, order no. 29004.2 Mounting box type DN 40, height 75 mm, left, order no. 29003.1, right, order no. 29003.2	Otherwise	For customised Marbond shower trays order no. 21295.0 please use the order form.
		Colours	000 – White matt structured, 077 – Light grey matt structured, 078 – Anthracite matt structured

TECHNICAL DRAWINGS / S 1 : 20



Order no.	A / mm	B / mm	C / mm	D / mm
21495.1	1700	750	375	46
21495.3	1700	800	400	46
21495.9	1800	750	375	46
21195.9	1800	800	400	46

SET LAUFEN PRO

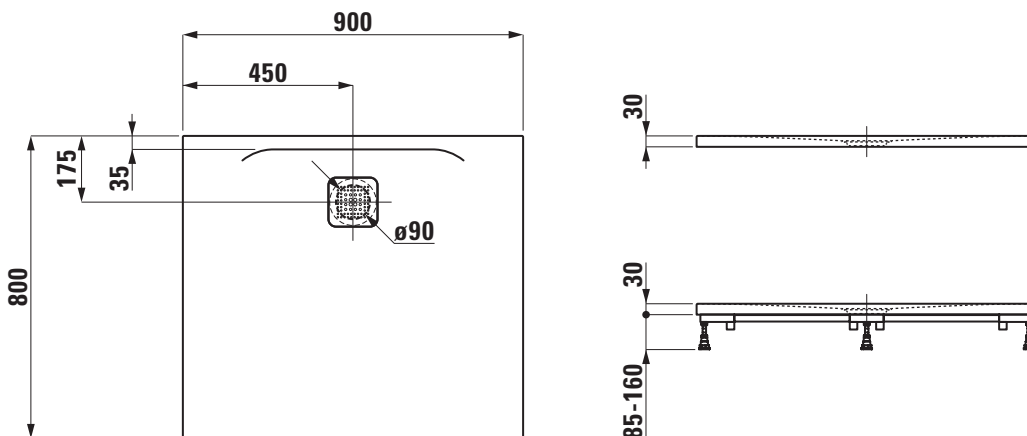
Shower tray MARBOND rectangular 21495.0



TECHNICAL DATA

Order no.	21495.0	Mounting acc. excl.	Installation frame, adjustable height between 85-160 mm, order no. 29844.1
Certified to	EN 14257, EN 251		Antinoise set for the frame installation to fulfil DIN 4109 and SIA 181, order no. 29898.8
Dimensions	800 x 900 mm		3-D sealing tape:
Depth	30 mm		Sealing set 3,0 m, for sealed sides \leq 3 m, includes 1 sealing tape (width 120 mm, length 3 m), 3-D inside corner for sealing (1 piece) and 2x 3 m antinoise tape (width 30 mm), order no. 29564.2
Specification	Rectangular shower tray made of Marbond (Gel Coat surface matt, with structure) with Antislip, Class C (DIN 51097) Removable siphon cover, stainless steel For floor-even installation or on floor installation		Additional sealing set 2,0 m, for sealed sides \geq 3 m, order no. 29564.7
Weight	34,0 kg		3-D sealing corners:
Mounting acc. excl.	Mounting box type DN 50, height 100 mm incl. waste, \varnothing 90 mm without cover (pre-assembled) left, order no. 29004.3, right, order no. 29004.4 Mounting box type DN 40, height 75 mm incl. waste, \varnothing 90 mm without cover (pre-assembled) left, order no. 29003.3, right, order no. 29003.4 Waste DN 50, \varnothing 90 mm without cover, order no. 29512.7 Mounting box type DN 50, height 100 mm, left, order no. 29004.1, right, order no. 29004.2 Mounting box type DN 40, height 75 mm, left, order no. 29003.1, right, order no. 29003.2	Otherwise	For customised Marbond shower trays order no. 21295.0 please use the order form.
		Colours	000 – White matt structured, 077 – Light grey matt structured, 078 – Anthracite matt structured

TECHNICAL DRAWINGS / S 1 : 20



SET LAUFEN PRO

Shower tray MARBOND rectangular

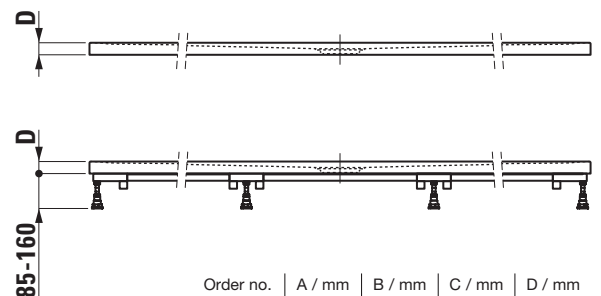
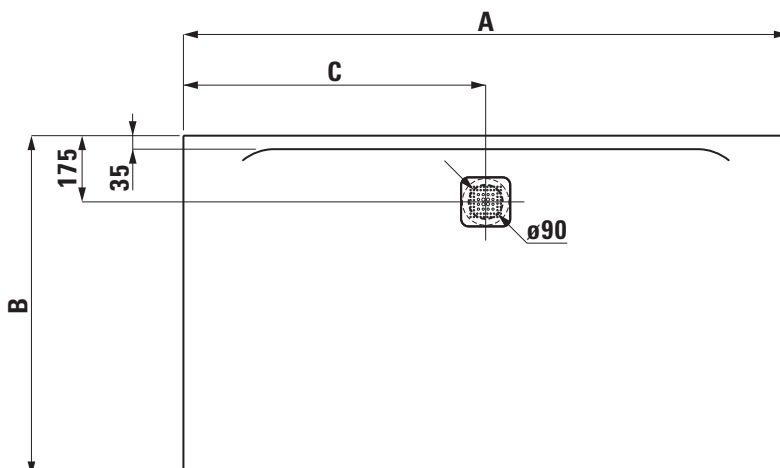
21595.4 / 21095.3
21095.9 / 21195.4
21395.6 / 21395.7
21095.4 / 21195.0
21195.5



TECHNICAL DATA

Order no.	21595.4, 21095.3, 21095.9, 21195.4 / 1400 mm 21395.6, 21395.7, 21095.4, 21195.0, 21195.5 / 1600 mm	Mounting acc. excl.	Installation frame, adjustable height between 85-160 mm, order no. 29844.2 Antinoise set for the frame installation to fulfil DIN 4109 and SIA 181, order no. 29898.9 3-D sealing tape: Sealing set 3,0 m, for sealed sides \leq 3 m, includes 1 sealing tape (width 120 mm, length 3 m), 3-D inside corner for sealing (1 piece) and 2x 3 m antinoise tape (width 30 mm), order no. 29564.2 Additional sealing set 2,0 m, for sealed sides \geq 3 m, order no. 29564.7 3-D sealing corners: Inside corner, 1 piece, order no. 29564.3 Outside corner for floor-even installation, set 3 parts, order no. 29564.4 Dispersion sealing composition, tube 500 ml, order no. 29564.5 Noise control band, order no. 29555.1
Certified to	EN 14257, EN 251		
Dimensions	see table below		
Depth	see table below		
Specification	Rectangular shower tray made of Marbond (Gel Coat surface matt, with structure) with Antislip, Class C (DIN 51097) Removable siphon cover, stainless steel For floor-even installation or on floor installation		
Weight	21595.4 – 44,0 kg / 21095.3 – 49,0 kg 21095.9 – 54,0 kg / 21195.4 – 54,0 kg 21395.6 – 40,0 kg / 21395.7 – 42,5 kg 21095.4 – 59,0 kg / 21195.0 – 58,5 kg 21195.5 – 71,0 kg		
Mounting acc. excl.	Mounting box type DN 50, height 100 mm incl. waste, \varnothing 90 mm without cover (pre-assembled) left, order no. 29004.3, right, order no. 29004.4 Mounting box type DN 40, height 75 mm incl. waste, \varnothing 90 mm without cover (pre-assembled) left, order no. 29003.3, right, order no. 29003.4 Waste DN 50, \varnothing 90 mm without cover, order no. 29512.7 Mounting box type DN 50, height 100 mm, left, order no. 29004.1, right, order no. 29004.2 Mounting box type DN 40, height 75 mm, left, order no. 29003.1, right, order no. 29003.2	Otherwise	For customised Marbond shower trays order no. 21295.0 please use the order form.
		Colours	000 – White matt structured, 077 – Light grey matt structured, 078 – Anthracite matt structured

TECHNICAL DRAWINGS / S 1 : 20



Order no.	A / mm	B / mm	C / mm	D / mm
21595.4	1400	700	700	30
21095.3	1400	800	700	30
21095.9	1400	900	700	30
21195.4	1400	1000	700	30
21395.6	1600	700	800	32
21395.7	1600	750	800	32
21095.4	1600	800	800	32
21195.0	1600	900	800	33
21195.5	1600	1000	800	33

SET LAUFEN PRO

Shower tray MARBOND rectangular

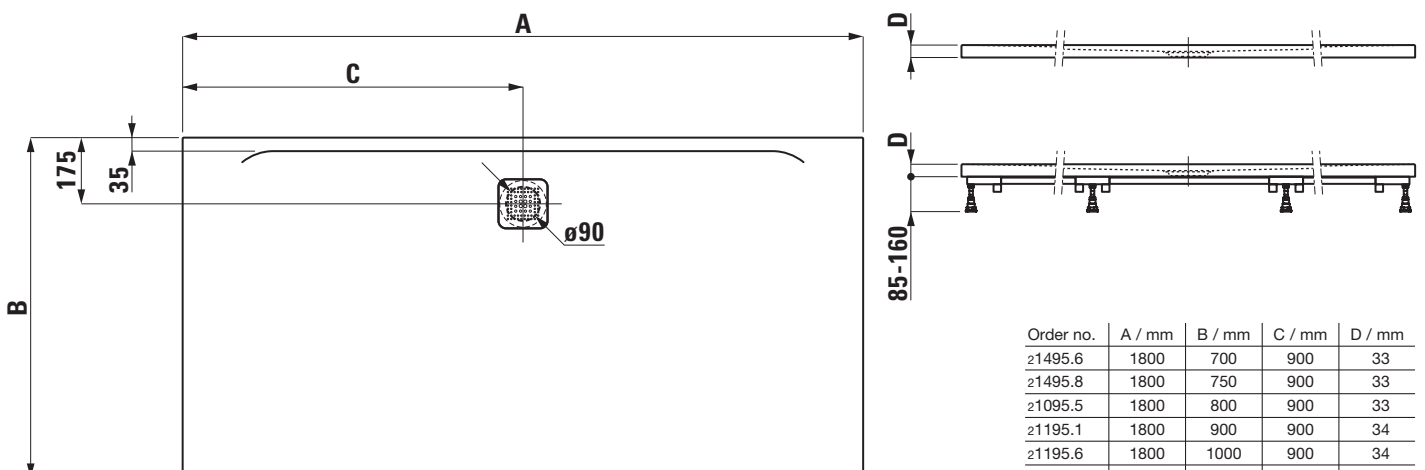
21495.6 / 21495.8
21095.5 / 21195.1
21195.6 / 21595.3
21195.7



TECHNICAL DATA

Order no.	21495.6, 21495.8, 21095.5, 21195.1, 21195.6 / 1800 mm 21595.3, 21195.7 / 2000 mm	Mounting acc. excl.	Installation frame, adjustable height between 85-160 mm, order no. 29844.2 Antinoise set for the frame installation to fulfil DIN 4109 and SIA 181, order no. 29898.9 3-D sealing tape: Sealing set 3,0 m, for sealed sides \leq 3 m, includes 1 sealing tape (width 120 mm, length 3 m), 3-D inside corner for sealing (1 piece) and 2x 3 m antinoise tape (width 30 mm), order no. 29564.2 Additional sealing set 2,0 m, for sealed sides \geq 3 m, order no. 29564.7 3-D sealing corners: Inside corner, 1 piece, order no. 29564.3 Outside corner for floor-even installation, set 3 parts, order no. 29564.4 Dispersion sealing composition, tube 500 ml, order no. 29564.5 Noise control band, order no. 29555.1
Certified to	EN 14257, EN 251		
Dimensions	see table below		
Depth	see table below		
Specification	Rectangular shower tray made of Marbond (Gel Coat surface matt, with structure) with Antislip, Class C (DIN 51097) Removable siphon cover, stainless steel For floor-even installation or on floor installation		
Weight	21495.6 – 45,0 kg / 21495.8 – 45,5 kg 21095.5 – 57,0 kg / 21195.1 – 69,0 kg 21195.6 – 90,0 kg / 21595.3 – 63,0 kg 21195.7 – 88,0 kg		
Mounting acc. excl.	Mounting box type DN 50, height 100 mm incl. waste, \varnothing 90 mm without cover (pre-assembled) left, order no. 29004.3, right, order no. 29004.4 Mounting box type DN 40, height 75 mm incl. waste, \varnothing 90 mm without cover (pre-assembled) left, order no. 29003.3, right, order no. 29003.4 Waste DN 50, \varnothing 90 mm without cover, order no. 29512.7 Mounting box type DN 50, height 100 mm, left, order no. 29004.1, right, order no. 29004.2 Mounting box type DN 40, height 75 mm, left, order no. 29003.1, right, order no. 29003.2	Otherwise	For customised Marbond shower trays order no. 21295.0 please use the order form.
		Colours	000 – White matt structured, 077 – Light grey matt structured, 078 – Anthracite matt structured

TECHNICAL DRAWINGS / S 1 : 20



SET LAUFEN SOLUTIONS

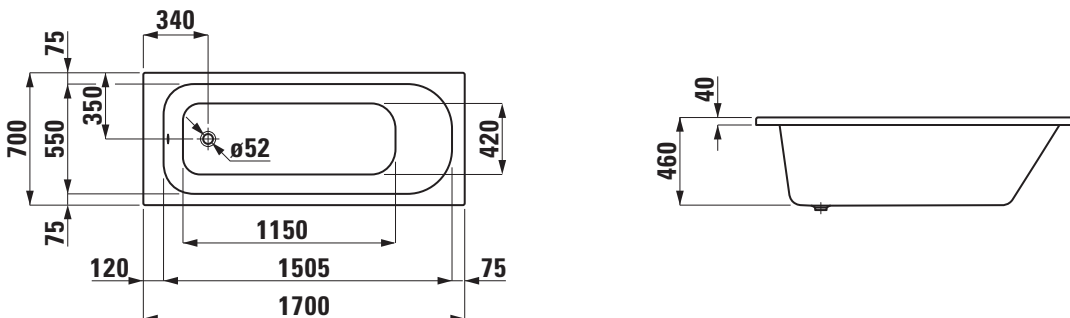
Bathtub drop-in version 22250.0



TECHNICAL DATA

Order no.	22250.0	Mounting acc. excl.	Feet solution with standard wall fixing elements, order no. 29617.0
Certified to	EN 14516 (EN 198), EN 232		Waste and overflow, chromed, order no. 29511.0
Dimensions	1700 x 700 mm		Combined water inlet and overflow, chromed order no. 29511.1
Depth	460 mm		Exclusive anchors and strip clamps order no. 29553.7
Use capacity	140 litre (total: 210 litre)		Noise control band, order no. 29555.1
Specification	Bathtub made of sanitary acrylic of 4-5 mm Drop-in version, without frame With aluminium profiles for feet solution LAUFEN, order no. 29617.0 Charge 000 – without whirl system, without waste and overflow	Colours	000 – White
Weight	26,0 kg		

TECHNICAL DRAWINGS / S 1 : 40

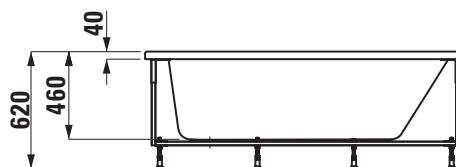
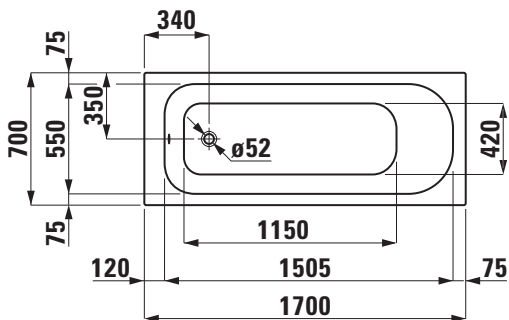




TECHNICAL DATA

Order no.	22250.1	Mounting acc. excl.	Waste and overflow, chromed order no. 29511.0
Certified to	EN 14516 (EN 198), EN 232, EN 12764		Combined water inlet and overflow, chromed, order no. 29511.1
Dimensions	1700 x 700 mm		Exclusive anchors and strip clamps order no. 29553.7
Depth	460 mm		Noise control band, order no. 29555.1
Use capacity	140 litre (total: 210 litre)	Colours	000 – White
Specification	Bathtub made of sanitary acrylic of 4-5 mm Fitted version, without panel With aluminium frame and standard wall fixing elements Charge 000 – without whirl system, without waste and overflow		
Weight	30,0 kg		

TECHNICAL DRAWINGS / S 1 : 40



SET LAUFEN SOLUTIONS

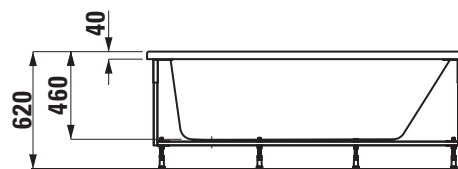
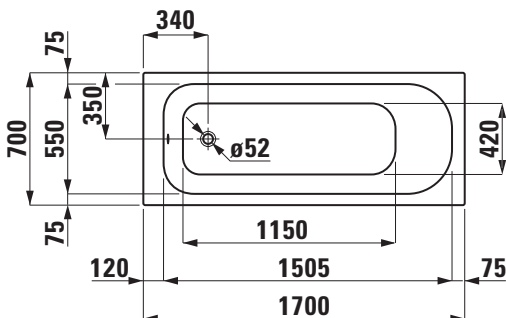
Bathtub corner right with L-panel left 22250.5



TECHNICAL DATA

Order no.	22250.5	Mounting acc. excl.	Waste and overflow, chromed order no. 29511.0
Certified to	EN 14516 (EN 198), EN 232, EN 12764		Combined water inlet and overflow, chromed, order no. 29511.1
Dimensions	1700 x 700 mm		Exclusive anchors and strip clamps order no. 29553.7
Depth	460 mm		Noise control band, order no. 29555.1
Use capacity	140 litre (total: 210 litre)	Colours	000 – White
Specification	Bathtub made of sanitary acrylic of 4-5 mm for the right corner with L-panel left With aluminium frame and standard wall fixing elements Charge 000 – without whirl system, without waste and overflow		
Weight	38,5 kg		

TECHNICAL DRAWINGS / S 1 : 40



SET LAUFEN SOLUTIONS

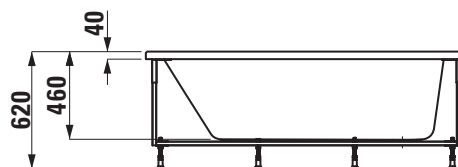
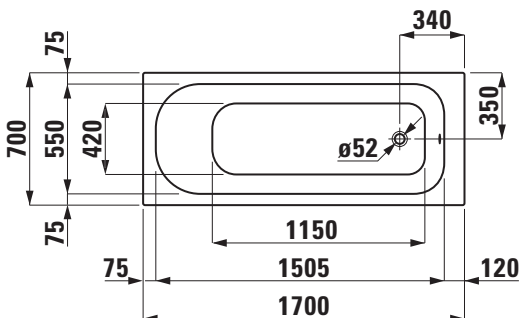
Bathtub corner left with L-panel right 22250.6



TECHNICAL DATA

Order no.	22250.6	Mounting acc. excl.	Waste and overflow, chromed order no. 29511.0
Certified to	EN 14516 (EN 198), EN 232, EN 12764		Combined water inlet and overflow, chromed, order no. 29511.1
Dimensions	1700 x 700 mm		Exclusive anchors and strip clamps order no. 29553.7
Depth	460 mm		Noise control band, order no. 29555.1
Use capacity	140 litre (total: 210 litre)	Colours	000 – White
Specification	Bathtub made of sanitary acrylic of 4-5 mm for the left corner with L-panel right With aluminium frame and standard wall fixing elements Charge 000 – without whirl system, without waste and overflow		
Weight	38,5 kg		

TECHNICAL DRAWINGS / S 1 : 40



SET LAUFEN SOLUTIONS

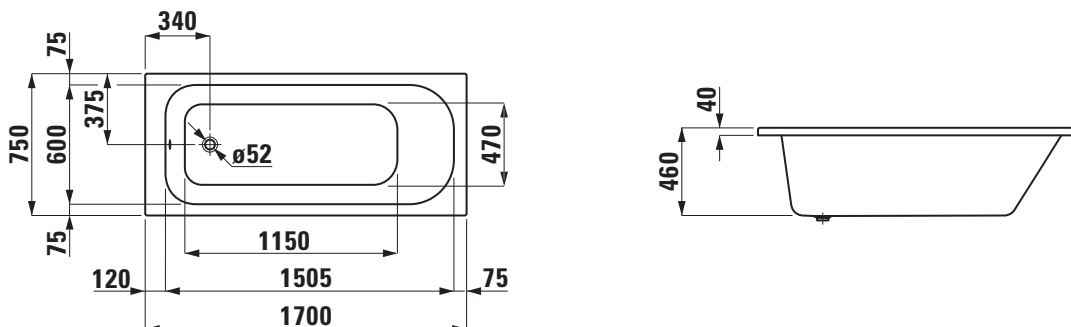
Bathtub drop-in version 22350.0



TECHNICAL DATA

Order no.	22350.0	Mounting acc. excl.	Feet solution with standard wall fixing elements, order no. 29617.0
Certified to	EN 14516 (EN 198), EN 232		Waste and overflow, chromed, order no. 29511.0
Dimensions	1700 x 750 mm		Combined water inlet and overflow, chromed order no. 29511.1
Depth	460 mm		Exclusive anchors and strip clamps order no. 29553.7
Use capacity	155 litre (total: 225 litre)		Noise control band, order no. 29555.1
Specification	Bathtub made of sanitary acrylic of 4-5 mm Drop-in version, without frame With aluminium profiles for feet solution LAUFEN, order no. 29617.0 Charge 000 – without whirl system, without waste and overflow	Colours	000 – White
Weight	29,0 kg		

TECHNICAL DRAWINGS / S 1 : 40

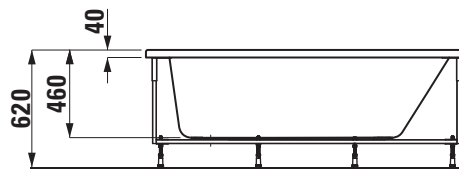
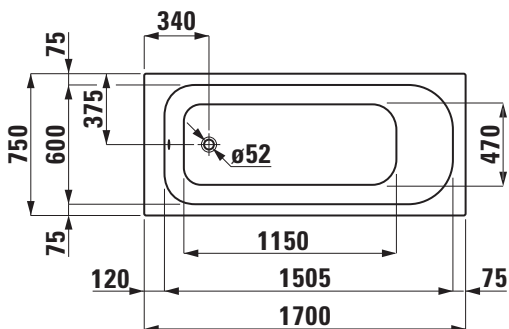




TECHNICAL DATA

Order no.	22350.1	Mounting acc. excl.	Waste and overflow, chromed order no. 29511.0
Certified to	EN 14516 (EN 198), EN 232, EN 12764		Combined water inlet and overflow, chromed, order no. 29511.1
Dimensions	1700 x 750 mm		Exclusive anchors and strip clamps order no. 29553.7
Depth	460 mm		Noise control band, order no. 29555.1
Use capacity	155 litre (total: 225 litre)	Colours	000 – White
Specification	Bathtub made of sanitary acrylic of 4-5 mm Fitted version, without panel With aluminium frame and standard wall fixing elements Charge 000 – without whirl system, without waste and overflow		
Weight	33,0 kg		

TECHNICAL DRAWINGS / S 1 : 40



SET LAUFEN SOLUTIONS

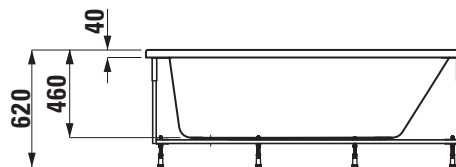
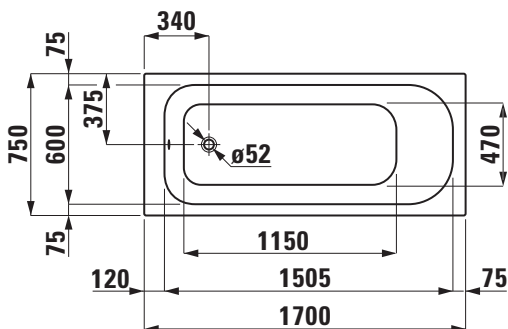
Bathtub corner right with L-panel left 22350.5



TECHNICAL DATA

Order no.	22350.5	Mounting acc. excl.	Waste and overflow, chromed order no. 29511.0
Certified to	EN 14516 (EN 198), EN 232, EN 12764		Combined water inlet and overflow, chromed, order no. 29511.1
Dimensions	1700 x 750 mm		Exclusive anchors and strip clamps order no. 29553.7
Depth	460 mm		Noise control band, order no. 29555.1
Use capacity	155 litre (total: 225 litre)	Colours	000 – White
Specification	Bathtub made of sanitary acrylic of 4-5 mm for the right corner with L-panel left With aluminium frame and standard wall fixing elements Charge 000 – without whirl system, without waste and overflow		
Weight	41,5 kg		

TECHNICAL DRAWINGS / S 1 : 40



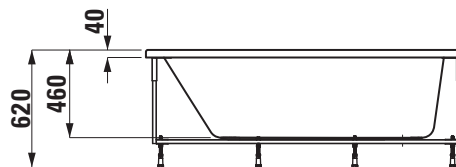
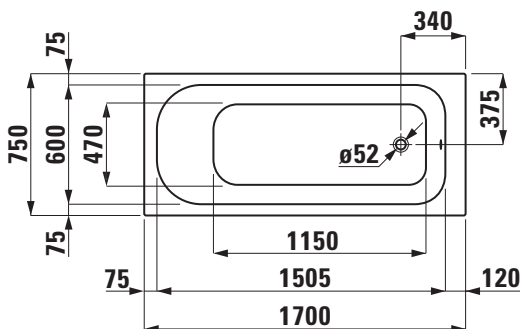
**Bathtub
corner left with L-panel right
22350.6**



TECHNICAL DATA

Order no.	22350.6	Mounting acc. excl.	Waste and overflow, chromed order no. 29511.0
Certified to	EN 14516 (EN 198), EN 232, EN 12764		Combined water inlet and overflow, chromed, order no. 29511.1
Dimensions	1700 x 750 mm		Exclusive anchors and strip clamps order no. 29553.7
Depth	460 mm		Noise control band, order no. 29555.1
Use capacity	155 litre (total: 225 litre)	Colours	000 – White
Specification	Bathtub made of sanitary acrylic of 4-5 mm for the left corner with L-panel right With aluminium frame and standard wall fixing elements Charge 000 – without whirl system, without waste and overflow		
Weight	41,5 kg		

TECHNICAL DRAWINGS / S 1 : 40



SET LAUFEN SOLUTIONS

Bathtub drop-in version, corner right 22351.0

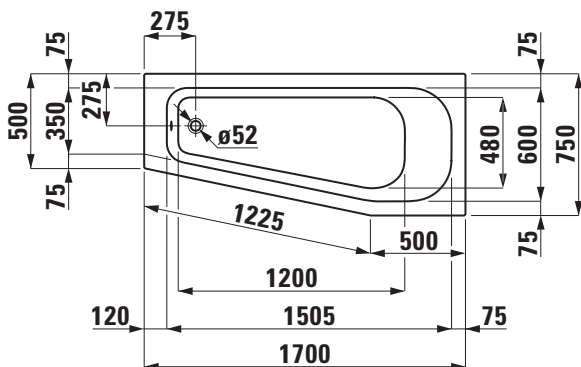


TECHNICAL DATA

Order no.	22351.0
Certified to	EN 14516 (EN 198), EN 232
Dimensions	1700 x 750/500 mm
Depth	460 mm
Use capacity	130 litre (total: 200 litre)
Specification	Bathtub made of sanitary acrylic of 4-5 mm Drop-in version for the right corner, without frame With aluminium profiles for feet solution LAUFEN, order no. 29617.8 Charge 000 – without whirl system, without waste and overflow
Weight	23,0 kg

Mounting acc. excl.	Feet solution with standard wall fixing elements, order no. 29617.8 Waste and overflow, chromed, order no. 29511.0 Combined water inlet and overflow, chromed order no. 29511.1 Exclusive anchors and strip clamps order no. 29553.7 Noise control band, order no. 29555.1
Colours	000 – White

TECHNICAL DRAWINGS / S 1 : 40



SET LAUFEN SOLUTIONS

Bathtub fitted version, corner right 22351.1

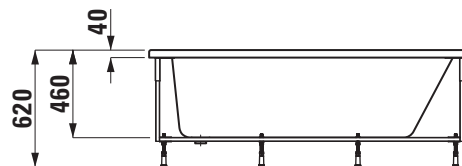
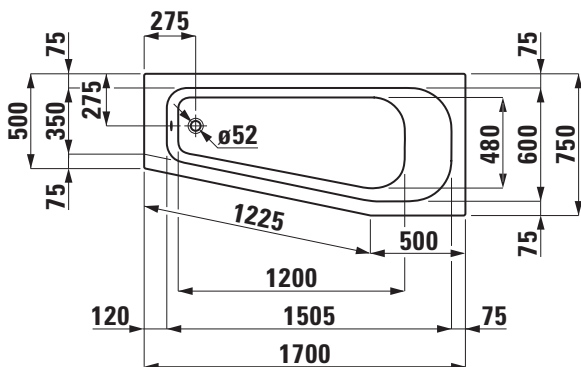


TECHNICAL DATA

Order no.	22351.1
Certified to	EN 14516 (EN 198), EN 232, EN 12764
Dimensions	1700 x 750/500 mm
Depth	460 mm
Use capacity	130 litre (total: 200 litre)
Specification	Bathtub made of sanitary acrylic of 4-5 mm Fitted version for the right corner, without panel With aluminium frame and standard wall fixing elements Charge 000 – without whirl system, without waste and overflow
Weight	29,0 kg

Mounting acc. excl.	Waste and overflow, chromed, order no. 29511.0 Combined water inlet and overflow, chromed order no. 29511.1 Exclusive anchors and strip clamps order no. 29553.7 Noise control band, order no. 29555.1
Colours	000 – White

TECHNICAL DRAWINGS / S 1 : 40



SET LAUFEN SOLUTIONS

Bathtub drop-in version, corner left 22352.0

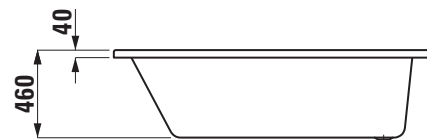
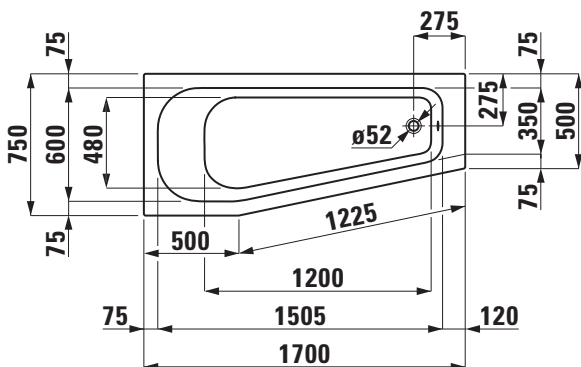


TECHNICAL DATA

Order no.	22352.0
Certified to	EN 14516 (EN 198), EN 232
Dimensions	1700 x 750/500 mm
Depth	460 mm
Use capacity	130 litre (total: 200 litre)
Specification	Bathtub made of sanitary acrylic of 4-5 mm Drop-in version for the left corner, without frame With aluminium profiles for feet solution LAUFEN, order no. 29617.8 Charge 000 – without whirl system, without waste and overflow
Weight	23,0 kg

Mounting acc. excl.	Feet solution with standard wall fixing elements, order no. 29617.8 Waste and overflow, chromed, order no. 29511.0 Combined water inlet and overflow, chromed order no. 29511.1 Exclusive anchors and strip clamps order no. 29553.7 Noise control band, order no. 29555.1
Colours	000 – White

TECHNICAL DRAWINGS / S 1 : 40



SET LAUFEN SOLUTIONS

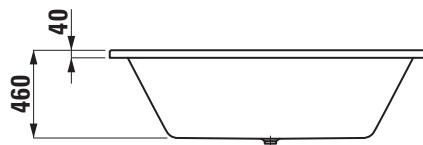
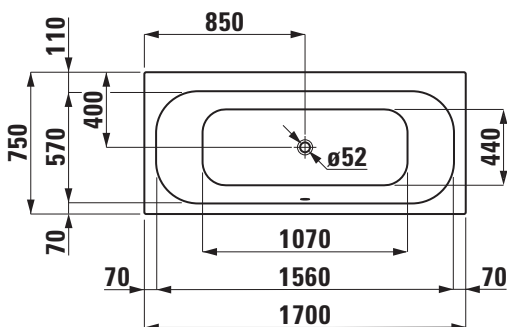
Bathtub drop-in version 22353.0



TECHNICAL DATA

Order no.	22353.0	Mounting acc. excl.	Feet solution with standard wall fixing elements, order no. 29617.0
Certified to	EN 14516 (EN 198), EN 232		Waste and overflow, chromed, order no. 29511.0
Dimensions	1700 x 750 mm		Combined water inlet and overflow, chromed order no. 29511.1
Depth	460 mm		Exclusive anchors and strip clamps order no. 29553.7
Use capacity	145 litre (total: 215 litre)		Noise control band, order no. 29555.1
Specification	Bathtub made of sanitary acrylic of 4-5 mm Drop-in version, without frame With aluminium profiles for feet solution LAUFEN, order no. 29617.0 Charge 000 – without whirl system, without waste and overflow		Styrofoam carrier for bathtub, order no. 29563.3
Weight	28,0 kg	Colours	000 – White

TECHNICAL DRAWINGS / S 1 : 40

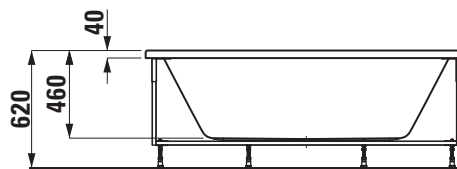
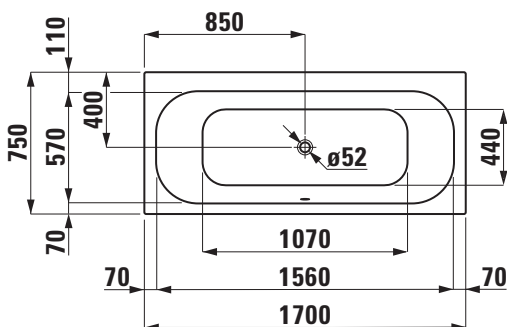




TECHNICAL DATA

Order no.	22353.1	Mounting acc. excl.	Waste and overflow, chromed order no. 29511.0
Certified to	EN 14516 (EN 198), EN 232, EN 12764		Combined water inlet and overflow, chromed, order no. 29511.1
Dimensions	1700 x 750 mm		Exclusive anchors and strip clamps order no. 29553.7
Depth	460 mm		Noise control band, order no. 29555.1
Use capacity	145 litre (total: 215 litre)	Colours	000 – White
Specification	Bathtub made of sanitary acrylic of 4-5 mm Fitted version, without panel With aluminium frame and standard wall fixing elements Charge 000 – without whirl system, without waste and overflow		
Weight	34,0 kg		

TECHNICAL DRAWINGS / S 1 : 40



SET LAUFEN SOLUTIONS

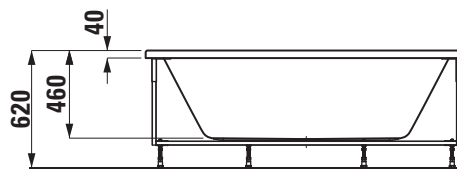
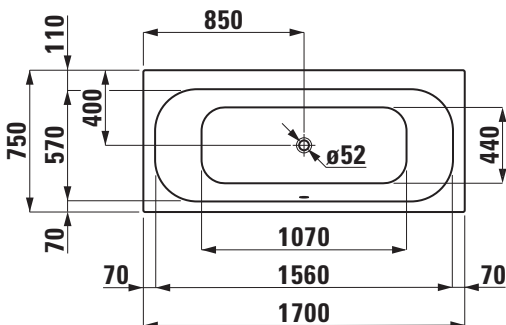
Bathtub corner right with L-panel left 22353.5



TECHNICAL DATA

Order no.	22353.5	Mounting acc. excl.	Waste and overflow, chromed order no. 29511.0
Certified to	EN 14516 (EN 198), EN 232, EN 12764		Combined water inlet and overflow, chromed, order no. 29511.1
Dimensions	1700 x 750 mm		Exclusive anchors and strip clamps order no. 29553.7
Depth	460 mm		Noise control band, order no. 29555.1
Use capacity	145 litre (total: 215 litre)	Colours	000 – White
Specification	Bathtub made of sanitary acrylic of 4-5 mm for the right corner with L-panel left With aluminium frame and standard wall fixing elements Charge 000 – without whirl system, without waste and overflow		
Weight	44,0 kg		

TECHNICAL DRAWINGS / S 1 : 40



SET LAUFEN SOLUTIONS

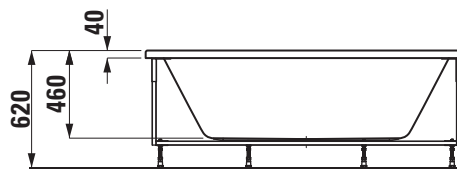
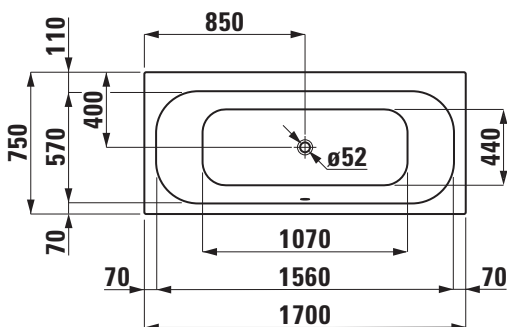
Bathtub corner left with L-panel right 22353.6



TECHNICAL DATA

Order no.	22353.6	Mounting acc. excl.	Waste and overflow, chromed order no. 29511.0
Certified to	EN 14516 (EN 198), EN 232, EN 12764		Combined water inlet and overflow, chromed, order no. 29511.1
Dimensions	1700 x 750 mm		Exclusive anchors and strip clamps order no. 29553.7
Depth	460 mm		Noise control band, order no. 29555.1
Use capacity	145 litre (total: 215 litre)	Colours	000 – White
Specification	Bathtub made of sanitary acrylic of 4-5 mm for the left corner with L-panel right With aluminium frame and standard wall fixing elements Charge 000 – without whirl system, without waste and overflow		
Weight	44,0 kg		

TECHNICAL DRAWINGS / S 1 : 40



SET LAUFEN SOLUTIONS

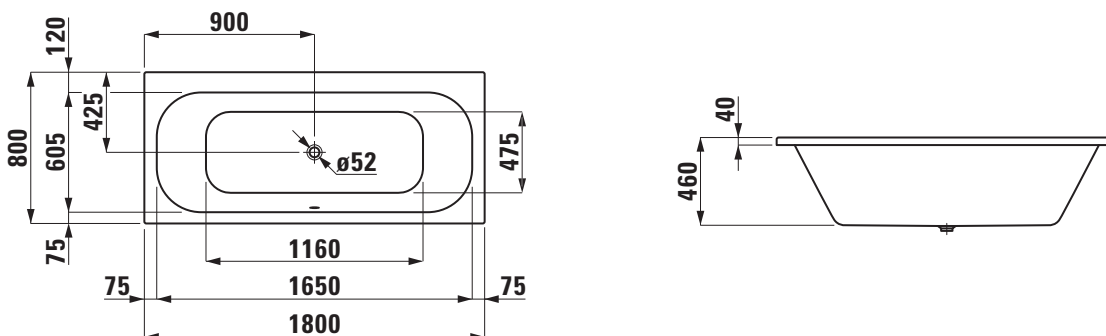
Bathtub drop-in version 22450.0



TECHNICAL DATA

Order no.	22450.0	Mounting acc. excl.	Feet solution with standard wall fixing elements, order no. 29617.0
Certified to	EN 14516 (EN 198), EN 232		Waste and overflow, chromed, order no. 29511.0
Dimensions	1800 x 800 mm		Combined water inlet and overflow, chromed order no. 29511.1
Depth	460 mm		Exclusive anchors and strip clamps order no. 29553.7
Use capacity	170 litre (total: 240 litre)		Noise control band, order no. 29555.1
Specification	Bathtub made of sanitary acrylic of 4-5 mm Drop-in version, without frame With aluminium profiles for feet solution LAUFEN, order no. 29617.0 Charge 000 – without whirl system, without waste and overflow	Colours	000 – White
Weight	33,0 kg		

TECHNICAL DRAWINGS / S 1 : 40

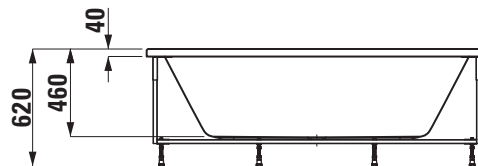
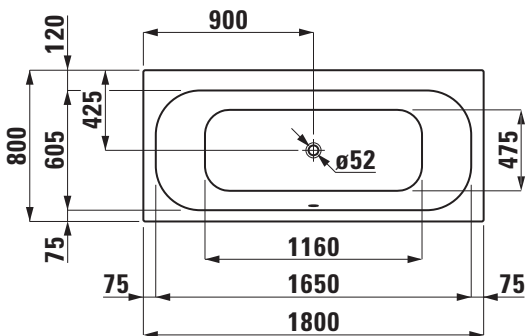




TECHNICAL DATA

Order no.	22450.1	Mounting acc. excl.	Waste and overflow, chromed order no. 29511.0
Certified to	EN 14516 (EN 198), EN 232, EN 12764		Combined water inlet and overflow, chromed, order no. 29511.1
Dimensions	1800 x 800 mm		Exclusive anchors and strip clamps order no. 29553.7
Depth	460 mm		Noise control band, order no. 29555.1
Use capacity	170 litre (total: 240 litre)	Colours	000 – White
Specification	Bathtub made of sanitary acrylic of 4-5 mm Fitted version, without panel With aluminium frame and standard wall fixing elements Charge 000 – without whirl system, without waste and overflow		
Weight	39,0 kg		

TECHNICAL DRAWINGS / S 1 : 40



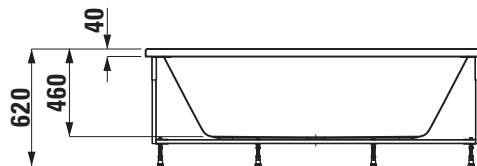
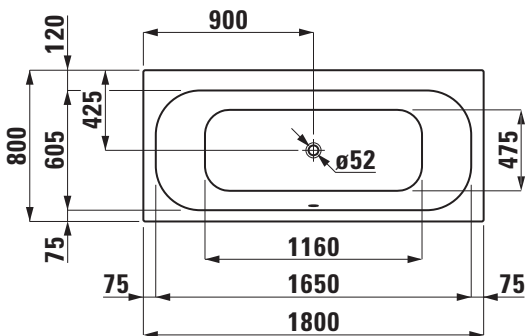
**Bathtub
corner right with L-panel left
22450.5**



TECHNICAL DATA

Order no.	22450.5	Mounting acc. excl.	Waste and overflow, chromed order no. 29511.0
Certified to	EN 14516 (EN 198), EN 232, EN 12764		Combined water inlet and overflow, chromed, order no. 29511.1
Dimensions	1800 x 800 mm		Exclusive anchors and strip clamps order no. 29553.7
Depth	460 mm		Noise control band, order no. 29555.1
Use capacity	170 litre (total: 240 litre)		
Specification	Bathtub made of sanitary acrylic of 4-5 mm for the right corner with L-panel left With aluminium frame and standard wall fixing elements Charge 000 – without whirl system, without waste and overflow	Colours	000 – White
Weight	49,0 kg		

TECHNICAL DRAWINGS / S 1 : 40



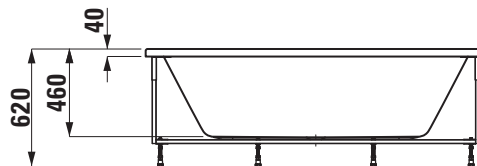
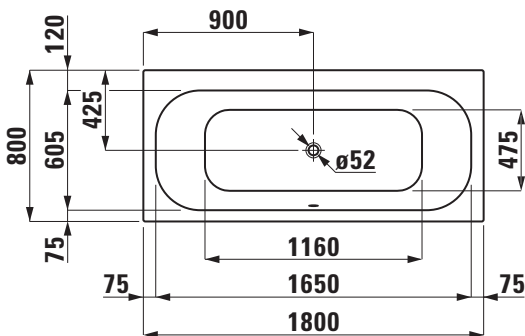
**Bathtub
corner left with L-panel right
22450.6**



TECHNICAL DATA

Order no.	22450.6	Mounting acc. excl.	Waste and overflow, chromed order no. 29511.0
Certified to	EN 14516 (EN 198), EN 232, EN 12764		Combined water inlet and overflow, chromed, order no. 29511.1
Dimensions	1800 x 800 mm		Exclusive anchors and strip clamps order no. 29553.7
Depth	460 mm		Noise control band, order no. 29555.1
Use capacity	170 litre (total: 240 litre)		
Specification	Bathtub made of sanitary acrylic of 4-5 mm for the left corner with L-panel right With aluminium frame and standard wall fixing elements Charge 000 – without whirl system, without waste and overflow	Colours	000 – White
Weight	49,0 kg		

TECHNICAL DRAWINGS / S 1 : 40

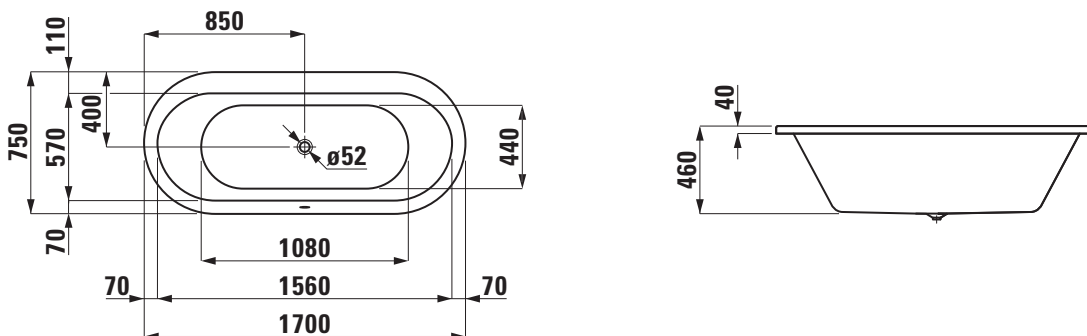




TECHNICAL DATA

Order no.	22251.0	Mounting acc. excl.	Feet solution with standard wall fixing elements, order no. 29617.0
Certified to	EN 14516 (EN 198), EN 232		Waste and overflow, chromed, order no. 29511.0
Dimensions	1700 x 750 mm		Combined water inlet and overflow, chromed order no. 29511.1
Depth	460 mm		Exclusive anchors and strip clamps order no. 29553.7
Use capacity	135 litre (total: 205 litre)		Noise control band, order no. 29555.1
Specification	Bathtub made of sanitary acrylic of 4-5 mm Drop-in version, without frame With aluminium profiles for feet solution LAUFEN, order no. 29617.0 Charge 000 – without whirl system, without waste and overflow		Styrofoam carrier for bathtub, order no. 29563.0
Weight	21,0 kg	Colours	000 – White

TECHNICAL DRAWINGS / S 1 : 40

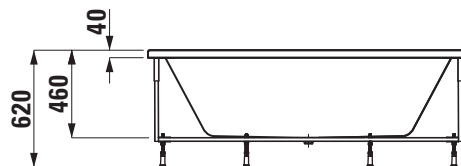
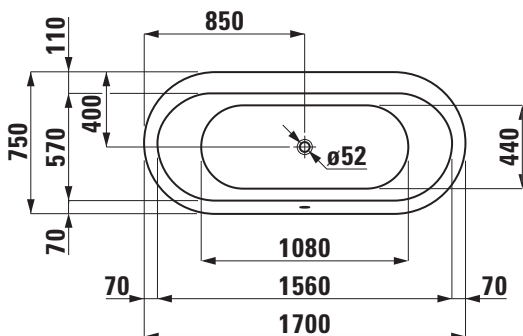




TECHNICAL DATA

Order no.	22251.1	Mounting acc. excl.	Waste and overflow, chromed order no. 29511.0
Certified to	EN 14516 (EN 198), EN 232, EN 12764		Combined water inlet and overflow, chromed, order no. 29511.1
Dimensions	1700 x 750 mm		Exclusive anchors and strip clamps order no. 29553.7
Depth	460 mm		Noise control band, order no. 29555.1
Use capacity	135 litre (total: 205 litre)	Colours	000 – White
Specification	Bathtub made of sanitary acrylic of 4-5 mm Fitted version, without panel With aluminium frame Charge 000 – without whirl system, without waste and overflow		
Weight	25,0 kg		
Accessories excl.	One piece panel, order no. 29651.9		

TECHNICAL DRAWINGS / S 1 : 40

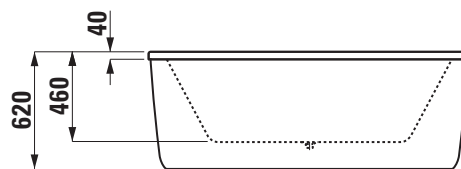
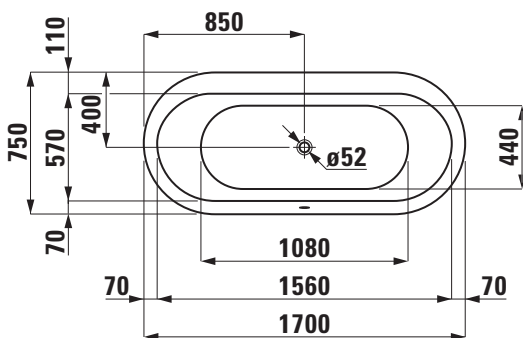




TECHNICAL DATA

Order no.	22251.2	Mounting acc. excl.	Waste and overflow, chromed order no. 29511.0
Certified to	EN 14516 (EN 198), EN 232, EN 12764		Combined water inlet and overflow, chromed, order no. 29511.1
Dimensions	1700 x 750 mm		
Depth	460 mm		
Use capacity	135 litre (total: 205 litre)		
Specification	Bathtub made of sanitary acrylic of 4-5 mm Freestanding version, with one piece panel With aluminium frame Charge 000 – without whirl system, without waste and overflow		
Weight	38,0 kg	Colours	000 – White

TECHNICAL DRAWINGS / S 1 : 40

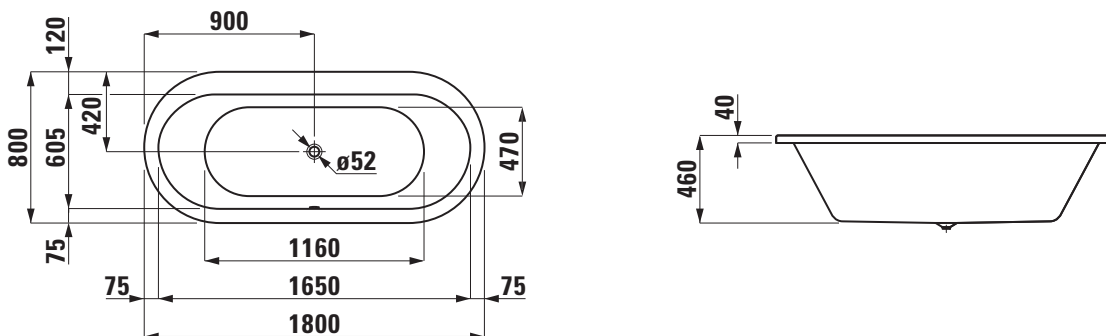




TECHNICAL DATA

Order no.	22451.0	Mounting acc. excl.	Feet solution with standard wall fixing elements, order no. 29617.0
Certified to	EN 14516 (EN 198), EN 232		Waste and overflow, chromed, order no. 29511.0
Dimensions	1800 x 800 mm		Combined water inlet and overflow, chromed order no. 29511.1
Depth	460 mm		Exclusive anchors and strip clamps order no. 29553.7
Use capacity	150 litre (total: 220 litre)		Noise control band, order no. 29555.1
Specification	Bathtub made of sanitary acrylic of 4-5 mm Drop-in version, without frame With aluminium profiles for feet solution LAUFEN, order no. 29617.0 Charge 000 – without whirl system, without waste and overflow	Colours	000 – White
Weight	24,0 kg		

TECHNICAL DRAWINGS / S 1 : 40

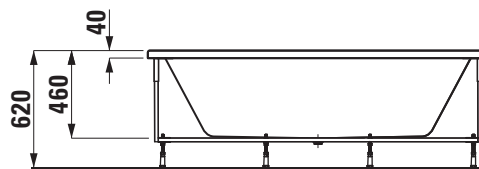
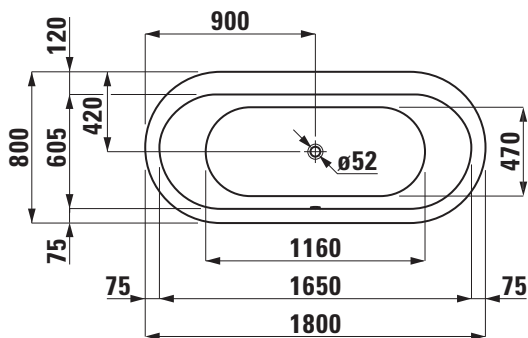




TECHNICAL DATA

Order no.	22451.1	Mounting acc. excl.	Waste and overflow, chromed order no. 29511.0
Certified to	EN 14516 (EN 198), EN 232, EN 12764		Combined water inlet and overflow, chromed, order no. 29511.1
Dimensions	1800 x 800 mm		Exclusive anchors and strip clamps order no. 29553.7
Depth	460 mm		Noise control band, order no. 29555.1
Use capacity	150 litre (total: 220 litre)	Colours	000 – White
Specification	Bathtub made of sanitary acrylic of 4-5 mm Fitted version, without panel With aluminium frame Charge 000 – without whirl system, without waste and overflow		
Weight	28,0 kg		

TECHNICAL DRAWINGS / S 1 : 40

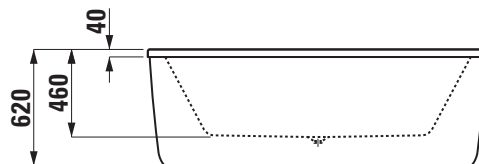
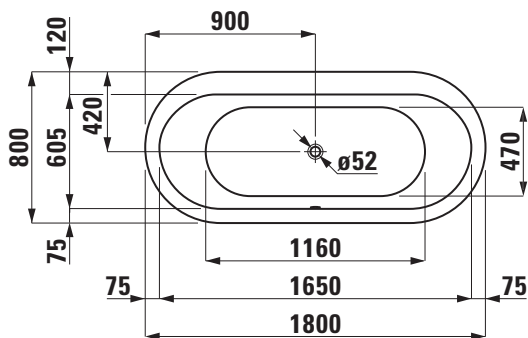




TECHNICAL DATA

Order no.	22451.2	Mounting acc. excl.	Waste and overflow, chromed order no. 29511.0
Certified to	EN 14516 (EN 198), EN 232, EN 12764		Combined water inlet and overflow, chromed, order no. 29511.1
Dimensions	1800 x 800 mm		
Depth	460 mm		
Use capacity	150 litre (total: 220 litre)	Colours	000 – White
Specification	Bathtub made of sanitary acrylic of 4-5 mm Freestanding version, with one piece panel With aluminium frame Charge 000 – without whirl system, without waste and overflow		
Weight	41,0 kg		

TECHNICAL DRAWINGS / S 1 : 40



SET LAUFEN SOLUTIONS

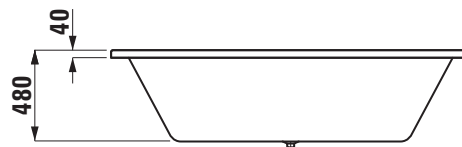
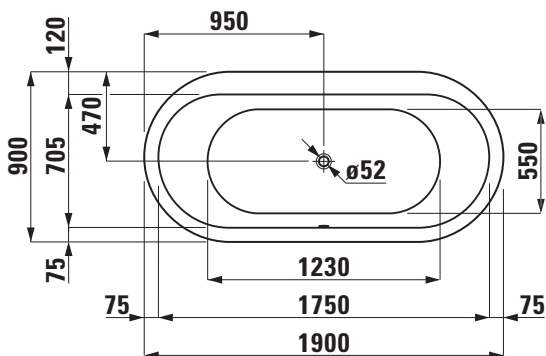
Bathtub drop-in version 22551.0



TECHNICAL DATA

Order no.	22551.0	Mounting acc. excl.	Feet solution with standard wall fixing elements, order no. 29617.7
Certified to	EN 14516 (EN 198), EN 232		Waste and overflow, chromed, order no. 29511.0
Dimensions	1900 x 900 mm		Combined water inlet and overflow, chromed order no. 29511.1
Depth	480 mm		Exclusive anchors and strip clamps order no. 29553.7
Use capacity	230 litre (total: 300 litre)		Noise control band, order no. 29555.1
Specification	Bathtub made of sanitary acrylic of 4-5 mm Drop-in version, without frame With aluminium profiles for feet solution LAUFEN, order no. 29617.7 Charge 000 – without whirl system, without waste and overflow	Colours	000 – White
Weight	28,0 kg		

TECHNICAL DRAWINGS / S 1 : 40



SET LAUFEN SOLUTIONS

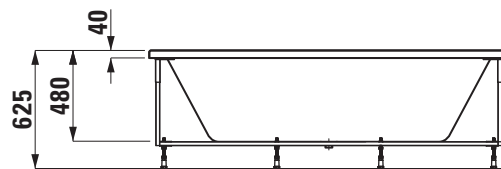
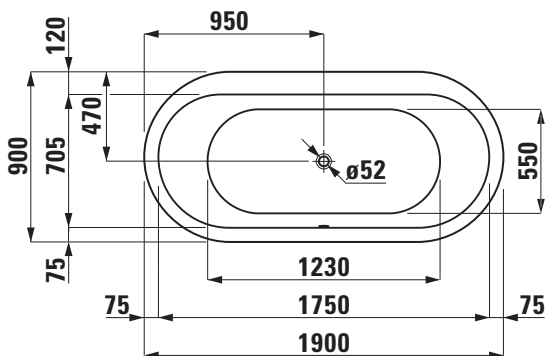
Bathtub fitted version 22551.1



TECHNICAL DATA

Order no.	22551.1	ounting acc. excl.	Waste and overflow, chromed order no. 29511.0
Certified to	EN 14516 (EN 198), EN 232, EN 12764		Combined water inlet and overflow, chromed, order no. 29511.1
Dimensions	1900 x 900 mm		Exclusive anchors and strip clamps order no. 29553.7
Depth	480 mm		Noise control band, order no. 29555.1
Use capacity	230 litre (total: 300 litre)		
Specification	Bathtub made of sanitary acrylic of 4-5 mm Fitted version, without panel With aluminium frame Charge 000 – without whirl system, without waste and overflow	Colours	000 – White
Weight	34,0 kg		

TECHNICAL DRAWINGS / S 1 : 40

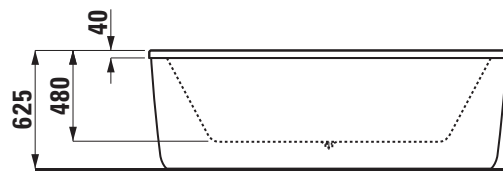
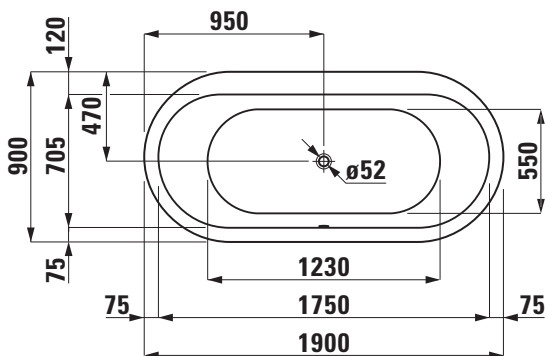




TECHNICAL DATA

Order no.	22551.2	Mounting acc. excl.	Waste and overflow, chromed order no. 29511.0
Certified to	EN 14516 (EN 198), EN 232, EN 12764		Combined water inlet and overflow, chromed, order no. 29511.1
Dimensions	1900 x 900 mm		
Depth	480 mm		
Use capacity	230 litre (total: 300 litre)	Colours	000 – White
Specification	Bathtub made of sanitary acrylic of 4-5 mm Freestanding version, with one piece panel With aluminium frame Charge 000 – without whirl system, without waste and overflow		
Weight	48,0 kg		

TECHNICAL DRAWINGS / S 1 : 40

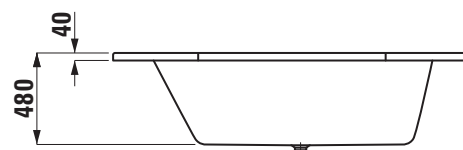
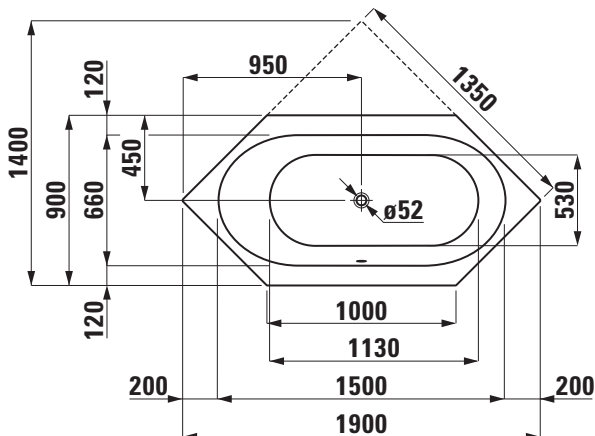




TECHNICAL DATA

Order no.	22552.0	Mounting acc. excl.	Feet solution with standard wall fixing elements, order no. 29617.7
Certified to	EN 14516 (EN 198), EN 232		Waste and overflow, chromed, order no. 29511.0
Dimensions	1900 x 900 mm		Combined water inlet and overflow, chromed order no. 29511.1
Depth	480 mm		Exclusive anchors and strip clamps order no. 29553.7
Use capacity	175 litre (total: 245 litre)		Noise control band, order no. 29555.1
Specification	Bathtub made of sanitary acrylic of 4-5 mm Drop-in version, without frame With aluminium profiles for feet solution LAUFEN, order no. 29617.7 Charge 000 – without whirl system, without waste and overflow	Colours	000 – White
Weight	25,0 kg		

TECHNICAL DRAWINGS / S 1 : 40



SET LAUFEN SOLUTIONS

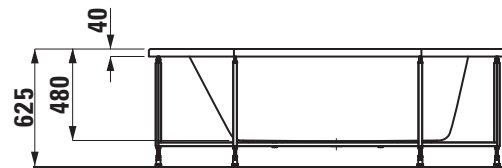
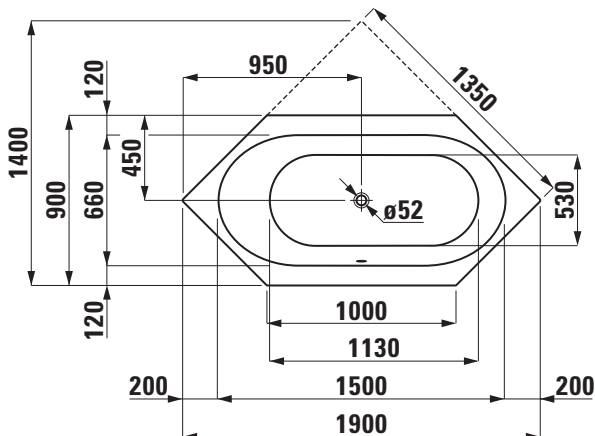
Bathtub fitted version 22552.1



TECHNICAL DATA

Order no.	22552.1	Mounting acc. excl.	Waste and overflow, chromed order no. 29511.0
Certified to	EN 14516 (EN 198), EN 232, EN 12764		Combined water inlet and overflow, chromed, order no. 29511.1
Dimensions	1900 x 900 mm		Exclusive anchors and strip clamps order no. 29553.7
Depth	480 mm		Noise control band, order no. 29555.1
Use capacity	175 litre (total: 245 litre)		
Specification	Bathtub made of sanitary acrylic of 4-5 mm Fitted version, without panel With aluminium frame and standard wall fixing elements Charge 000 – without whirl system, without waste and overflow	Colours	000 – White
Weight	25,0 kg		

TECHNICAL DRAWINGS / S 1 : 40



SET LAUFEN SOLUTIONS

Bathtub drop-in version, for corner 24250.0

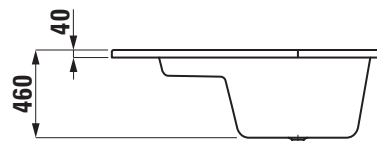
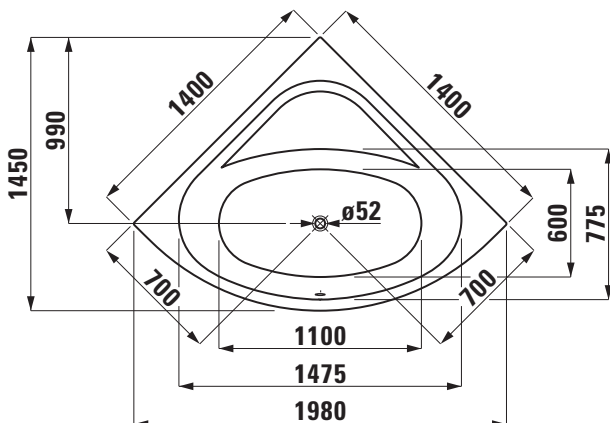


TECHNICAL DATA

Order no.	24250.0
Certified to	EN 14516 (EN 198), EN 232
Dimensions	1980 x 1450 mm
Depth	460 mm
Use capacity	180 litre (total: 250 litre)
Specification	Bathtub made of sanitary acrylic of 4-5 mm Drop-in version for the corner, without frame With aluminium profiles for feet solution LAUFEN, order no. 29449.3 Charge 000 – without whirl system, without waste and overflow
Weight	33,0 kg

Mounting acc. excl.	Feet solution with standard wall fixing elements, order no. 29449.3 Waste and overflow, chromed, order no. 29511.0 Combined water inlet and overflow, chromed order no. 29511.1 Exclusive anchors and strip clamps order no. 29553.7 Noise control band, order no. 29555.1
Colours	000 – White

TECHNICAL DRAWINGS / S 1 : 40



SET LAUFEN SOLUTIONS

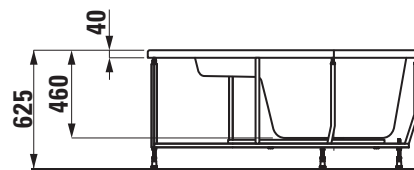
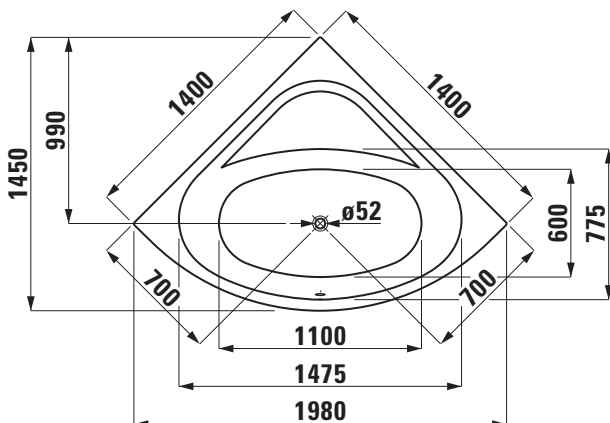
Bathtub fitted version, for corner 24250.1



TECHNICAL DATA

Order no.	24250.1	Mounting acc. excl.	Waste and overflow, chromed order no. 29511.0
Certified to	EN 14516 (EN 198), EN 232, EN 12764		Combined water inlet and overflow, chromed, order no. 29511.1
Dimensions	1980 x 1450 mm		Exclusive anchors and strip clamps order no. 29553.7
Depth	460 mm		Noise control band, order no. 29555.1
Use capacity	180 litre (total: 250 litre)	Colours	000 – White
Specification	Bathtub made of sanitary acrylic of 4-5 mm Fitted version for the corner, without panel. With alu- minium frame and standard wall fixing elements Charge 000 – without whirl system, without waste and overflow		
Weight	39,0 kg		

TECHNICAL DRAWINGS / S 1 : 40



SET LAUFEN SOLUTIONS

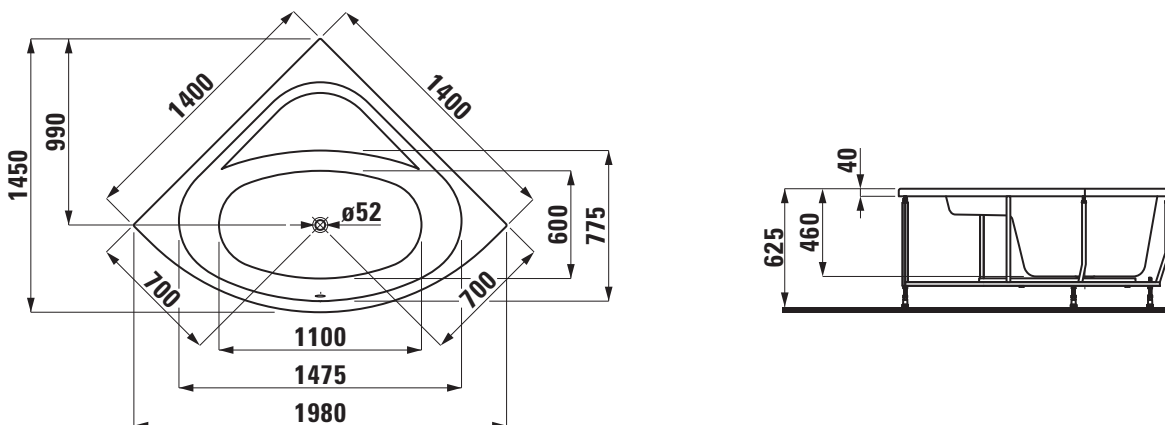
Bathtub for corner with Corner-panel 24250.7



TECHNICAL DATA

Order no.	24250.7	Weight	Charge 000, 615 – 48,0 kg Charge 605, 635-695 – 73,5 kg
Certified to	EN 14516 (EN 198), EN 232, EN 12764	Mounting acc. incl.	Charge 605, 635-695 – waste and overflow, chromed
Dimensions	1980 x 1450 mm	Mounting acc. excl.	Charge 000, 615 – waste and overflow, chromed order no. 29511.0 Charge 000, 615 – combined water inlet and overflow, chromed, order no. 29511.1 Charge 605, 635-695 – combined water inlet and overflow, chromed, order no. 29511.2 Exclusive anchors and strip clamps order no. 29553.7 Noise control band, order no. 29555.1
Depth	460 mm	Colours	000 – White
Use capacity	180 litre (total: 250 litre)		
Specification	Bathtub made of sanitary acrylic of 4-5 mm for the corner with Corner-panel. With aluminium frame and standard wall fixing elements Charge 000 – without whirl system, without waste and overflow		
Special specification	Bathtub without whirl system, with sensor control: Charge 615 – bathtub with LED light, without waste and overflow Bathtub with whirl system, with sensor control: Charge 605 – Whirlpool with air massage Charge 635 – Whirlpool with hydro massage Charge 645 – Whirlpool with air and hydro massage Charge 675 – Whirlpool with air and hydro massage and LED light Charge 695 – Whirlpool with air and hydro massage, disinfection system and LED light		

TECHNICAL DRAWINGS / S 1 : 40



SET LAUFEN SOLUTIONS

Bathtub drop-in version, for corner 24450.0

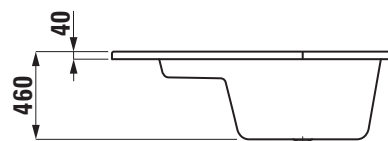
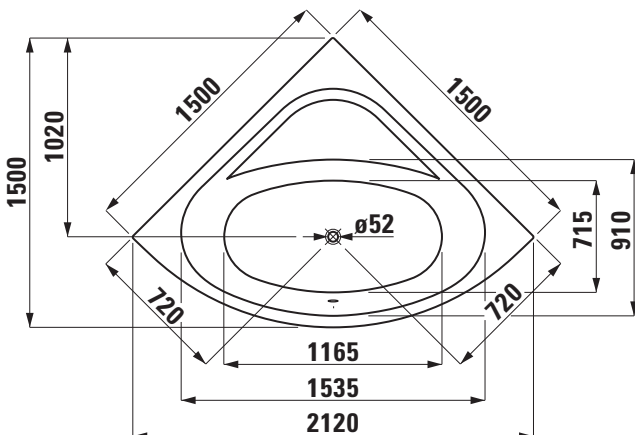


TECHNICAL DATA

Order no.	24450.0
Certified to	EN 14516 (EN 198), EN 232
Dimensions	2120 x 1500 mm
Depth	460 mm
Use capacity	190 litre (total: 295 litre)
Specification	Bathtub made of sanitary acrylic of 4-5 mm Drop-in version for the corner, without frame With aluminium profiles for feet solution LAUFEN, order no. 29449.3 Charge 000 – without whirl system, without waste and overflow
Weight	36,0 kg

Mounting acc. excl.	Feet solution with standard wall fixing elements, order no. 29449.3 Waste and overflow, chromed, order no. 29511.0 Combined water inlet and overflow, chromed order no. 29511.1 Exclusive anchors and strip clamps order no. 29553.7 Noise control band, order no. 29555.1 Styrofoam carrier for bathtub with 3 corners and round front, order no. 29563.2 with 5 corners for shelf, order no. 29563.1
Colours	000 – White

TECHNICAL DRAWINGS / S 1 : 40



SET LAUFEN SOLUTIONS

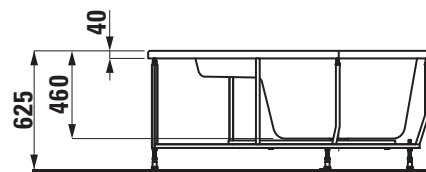
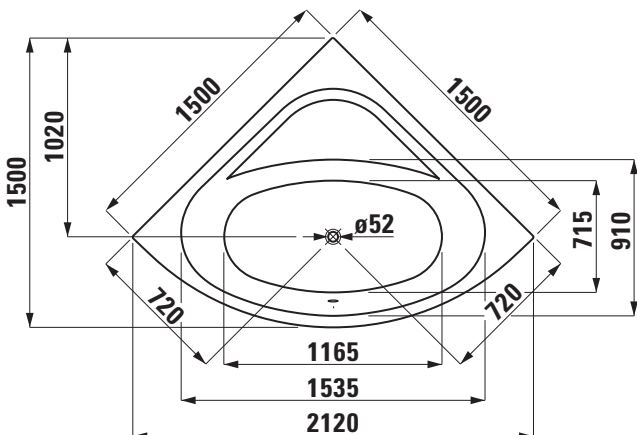
Bathtub fitted version, for corner 24450.1



TECHNICAL DATA

Order no.	24450.1	Mounting acc. excl.	Charge 000, 615 – waste and overflow, chromed order no. 29511.0
Certified to	EN 14516 (EN 198), EN 232, EN 12764		Charge 000, 615 – combined water inlet and overflow, chromed, order no. 29511.1
Dimensions	2120 x 1500 mm		Exclusive anchors and strip clamps order no. 29553.7
Depth	460 mm		Noise control band, order no. 29555.1
Use capacity	190 litre (total: 295 litre)	Colours	000 – White
Specification	Bathtub made of sanitary acrylic of 4-5 mm Fitted version for the corner, without panel. With aluminium frame and standard wall fixing elements Charge 000 – without whirl system, without waste and overflow		
Special specification	Bathtub without whirl system, with sensor control: Charge 615 – bathtub with LED light, without waste and overflow		
Weight	42,0 kg		

TECHNICAL DRAWINGS / S 1 : 40



SET LAUFEN SOLUTIONS

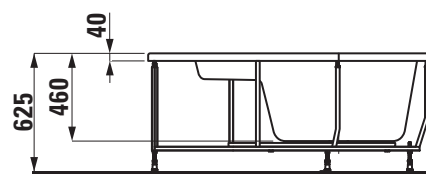
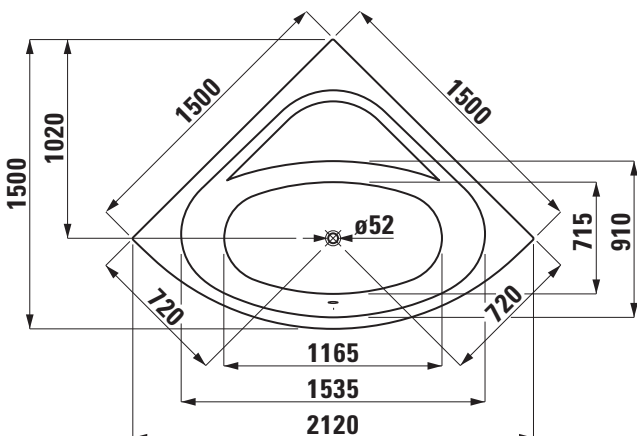
Bathtub for corner with Corner-panel 24450.7



TECHNICAL DATA

Order no.	24450.7	Weight	Charge 000, 615 – 51,0 kg Charge 605, 635-695 – 76,5 kg
Certified to	EN 14516 (EN 198), EN 232, EN 12764	Mounting acc. incl.	Charge 605, 635-695 – waste and overflow, chromed
Dimensions	2120 x 1500 mm	Mounting acc. excl.	Charge 000, 615 – waste and overflow, chromed order no. 29511.0 Charge 000, 615 – combined water inlet and overflow, chromed, order no. 29511.1 Charge 605, 635-695 – combined water inlet and overflow, chromed, order no. 29511.2 Exclusive anchors and strip clamps order no. 29553.7 Noise control band, order no. 29555.1
Depth	460 mm	Colours	000 – White
Use capacity	190 litre (total: 295 litre)		
Specification	Bathtub made of sanitary acrylic of 4-5 mm for the corner with Corner-panel. With aluminium frame and standard wall fixing elements Charge 000 – without whirl system, without waste and overflow		
Special specification	Bathtub without whirl system, with sensor control: Charge 615 – bathtub with LED light, without waste and overflow Bathtub with whirl system, with sensor control: Charge 605 – Whirlpool with air massage Charge 635 – Whirlpool with hydro massage Charge 645 – Whirlpool with air and hydro massage Charge 675 – Whirlpool with air and hydro massage and LED light Charge 695 – Whirlpool with air and hydro massage, disinfection system and LED light		

TECHNICAL DRAWINGS / S 1 : 40



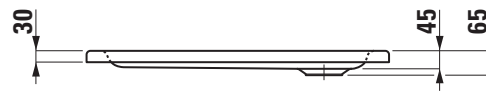
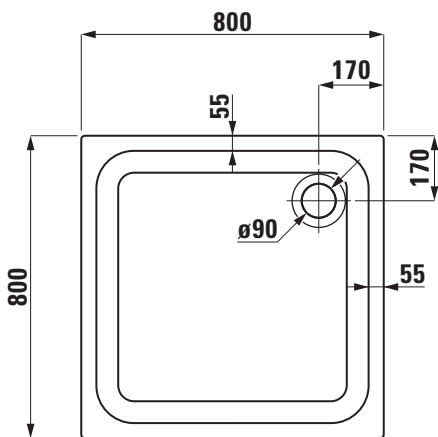
**Shower tray
square
21150.1**



TECHNICAL DATA

Order no.	21150.1	Mounting acc. excl.	Feet for shower tray
Certified to	EN 14527 (EN 249), EN 251		87-115 mm, order no. 29555.5
Dimensions	800 x 800 mm		125-185 mm, order no. 29555.2
Depth	45 mm		Waste Ø 90 mm, order no. 29512.0
Specification	Square shower tray made of sanitary acrylic of 4-5 mm		Waste cover stainless steel, order no. 29512.4
Weight	9,0 kg		Exclusive anchors and strip clamps order no. 29553.7
			Noise control band, order no. 29555.1
		Colours	000 – White

TECHNICAL DRAWINGS / S 1 : 20



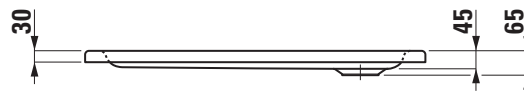
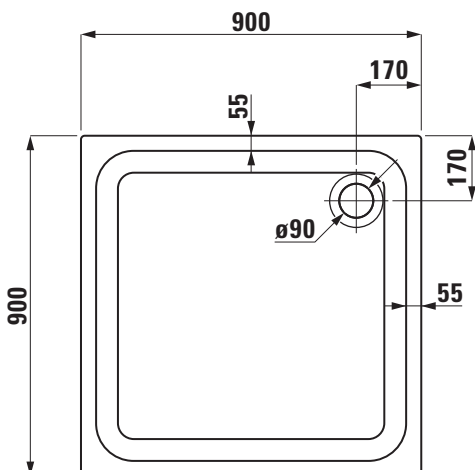
**Shower tray
square
21150.2**



TECHNICAL DATA

Order no.	21150.2	Mounting acc. excl.	Feet for shower tray
Certified to	EN 14527 (EN 249), EN 251		87-115 mm, order no. 29555.5
Dimensions	900 x 900 mm		125-185 mm, order no. 29555.2
Depth	45 mm		Waste Ø 90 mm, order no. 29512.0
Specification	Square shower tray made of sanitary acrylic of 4-5 mm		Waste cover stainless steel, order no. 29512.4
Weight	13,0 kg		Exclusive anchors and strip clamps order no. 29553.7
			Noise control band, order no. 29555.1
		Colours	000 – White

TECHNICAL DRAWINGS / S 1 : 20



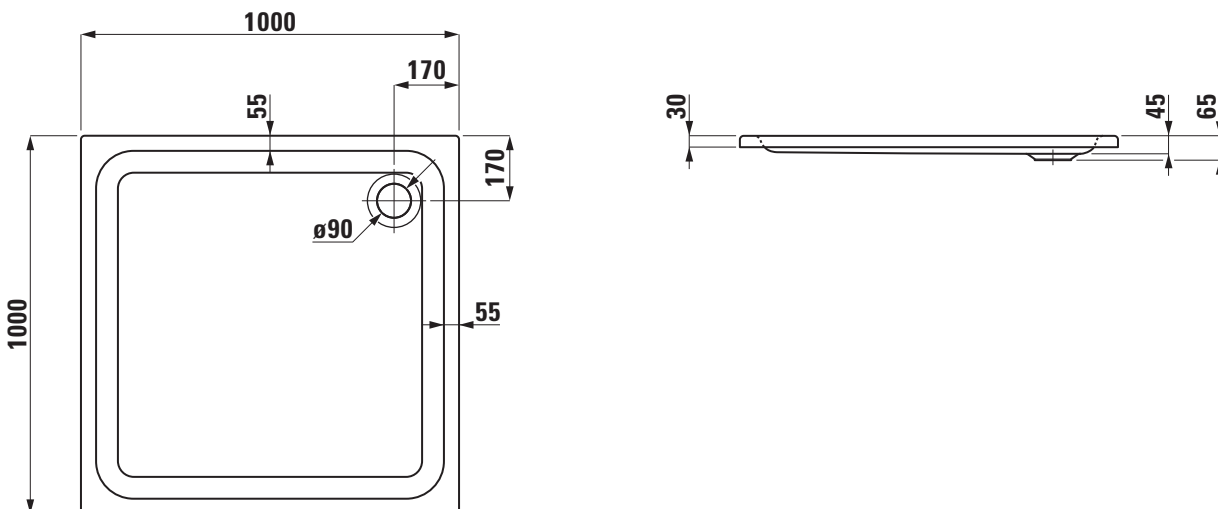
**Shower tray
square
21150.3**



TECHNICAL DATA

Order no.	21150.3	Mounting acc. excl.	Feet for shower tray
Certified to	EN 14527 (EN 249), EN 251		87-115 mm, order no. 29555.6
Dimensions	1000 x 1000 mm		100-135 mm, order no. 29555.3
Depth	45 mm		Waste Ø 90 mm, order no. 29512.0
Specification	Square shower tray made of sanitary acrylic of 4-5 mm		Waste cover stainless steel, order no. 29512.4
Weight	14,5 kg		Exclusive anchors and strip clamps order no. 29553.7
			Noise control band, order no. 29555.1
		Colours	000 – White

TECHNICAL DRAWINGS / S 1 : 20



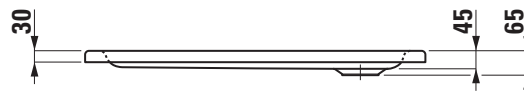
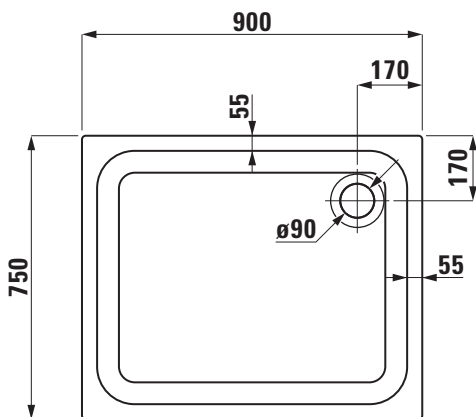
**Shower tray
rectangular
21150.5**



TECHNICAL DATA

Order no.	21150.5	Mounting acc. excl.	Feet for shower tray
Certified to	EN 14527 (EN 249), EN 251		87-115 mm, order no. 29555.7
Dimensions	900 x 750 mm		Waste Ø 90 mm, order no. 29512.0
Depth	45 mm		Waste cover stainless steel, order no. 29512.4
Specification	Rectangular shower tray made of sanitary acrylic of 4-5 mm		Exclusive anchors and strip clamps order no. 29553.7
Weight	10,0 kg		Noise control band, order no. 29555.1
		Colours	000 – White

TECHNICAL DRAWINGS / S 1 : 20



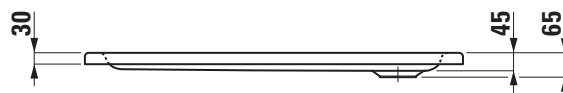
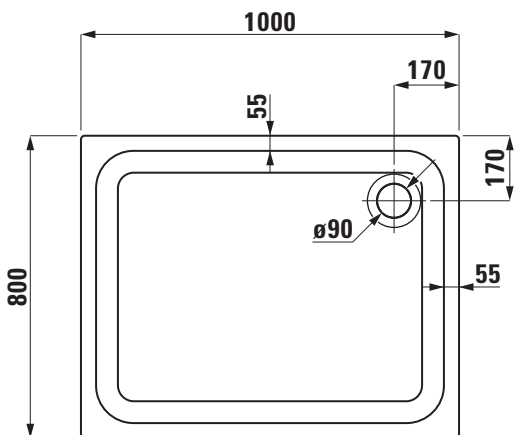
**Shower tray
rectangular
21150.8**



TECHNICAL DATA

Order no.	21150.8	Mounting acc. excl.	Feet for shower tray
Certified to	EN 14527 (EN 249), EN 251		87-115 mm, order no. 29555.7
Dimensions	1000 x 800 mm		Waste Ø 90 mm, order no. 29512.0
Depth	45 mm		Waste cover stainless steel, order no. 29512.4
Specification	Rectangular shower tray made of sanitary acrylic of 4-5 mm		Exclusive anchors and strip clamps order no. 29553.7
Weight	12,5 kg		Noise control band, order no. 29555.1
		Colours	000 – White

TECHNICAL DRAWINGS / S 1 : 20



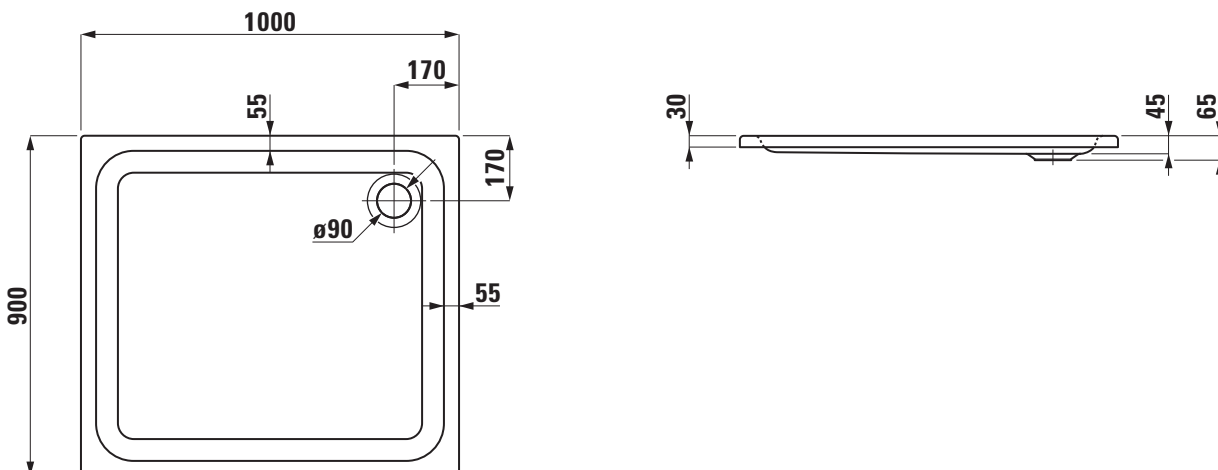
**Shower tray
rectangular
21150.9**



TECHNICAL DATA

Order no.	21150.9	Mounting acc. excl.	Feet for shower tray
Certified to	EN 14527 (EN 249), EN 251		87-115 mm, order no. 29555.7
Dimensions	1000 x 900 mm		Waste Ø 90 mm, order no. 29512.0
Depth	45 mm		Waste cover stainless steel, order no. 29512.4
Specification	Rectangular shower tray made of sanitary acrylic of 4-5 mm		Exclusive anchors and strip clamps order no. 29553.7
Weight	14,0 kg		Noise control band, order no. 29555.1
		Colours	000 – White

TECHNICAL DRAWINGS / S 1 : 20



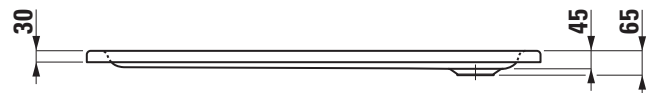
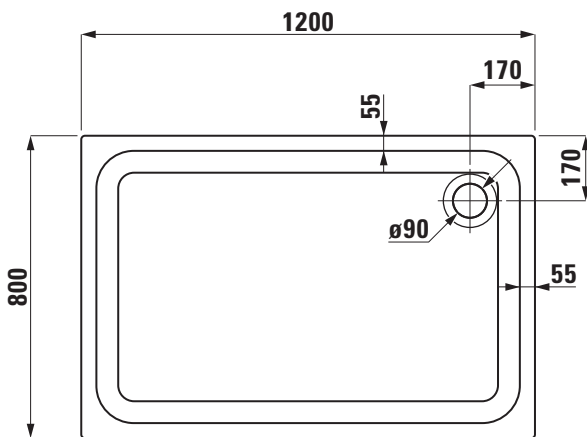
**Shower tray
rectangular
21250.2**



TECHNICAL DATA

Order no.	21250.2	Mounting acc. excl.	Feet for shower tray, order no. 29555.7
Certified to	EN 14527 (EN 249), EN 251		Waste Ø 90 mm, order no. 29512.0
Dimensions	1200 x 800 mm		Waste cover stainless steel, order no. 29512.4
Depth	45 mm		Exclusive anchors and strip clamps order no. 29553.7
Specification	Rectangular shower tray made of sanitary acrylic of 4-5 mm		Noise control band, order no. 29555.1
Weight	16,0 kg	Colours	000 – White

TECHNICAL DRAWINGS / S 1 : 20



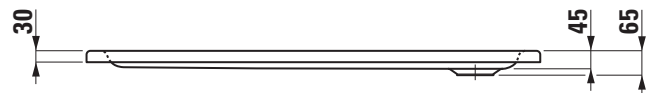
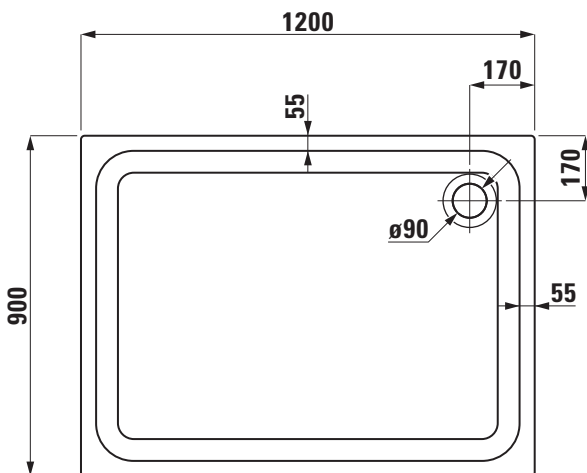
**Shower tray
rectangular
21250.3**



TECHNICAL DATA

Order no.	21250.3	Mounting acc. excl.	Feet for shower tray, order no. 29555.7
Certified to	EN 14527 (EN 249), EN 251		Waste Ø 90 mm, order no. 29512.0
Dimensions	1200 x 900 mm		Waste cover stainless steel, order no. 29512.4
Depth	45 mm		Exclusive anchors and strip clamps order no. 29553.7
Specification	Rectangular shower tray made of sanitary acrylic of 4-5 mm		Noise control band, order no. 29555.1
Weight	16,0 kg	Colours	000 – White

TECHNICAL DRAWINGS / S 1 : 20



SET LAUFEN SOLUTIONS

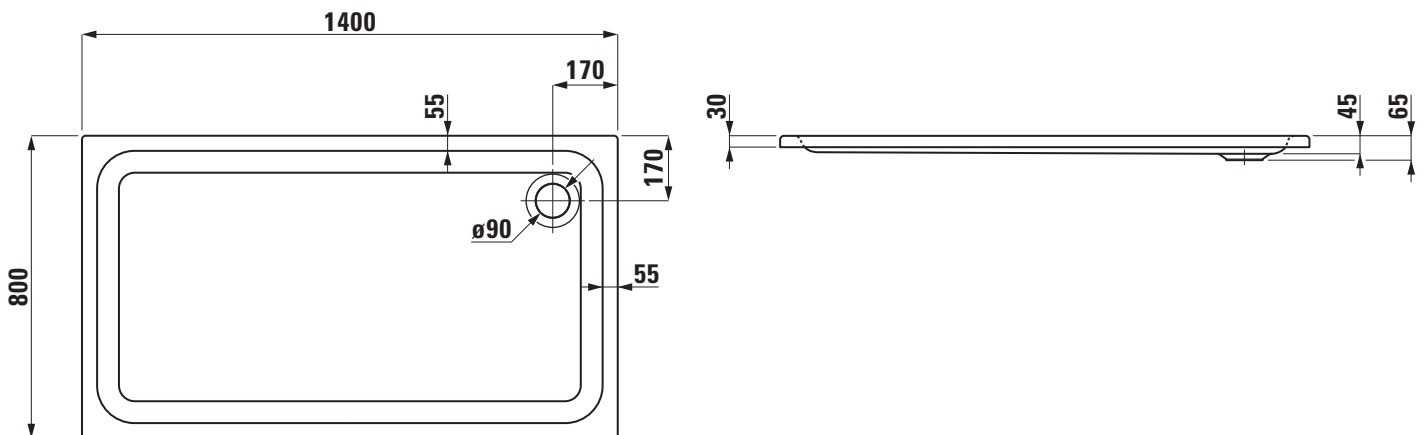
Shower tray rectangular 21250.7



TECHNICAL DATA

Order no.	21250.7	Mounting acc. excl.	Feet for shower tray, order no. 29555.7
Certified to	EN 14527 (EN 249), EN 251		Waste Ø 90 mm, order no. 29512.0
Dimensions	1400 x 800 mm		Waste cover stainless steel, order no. 29512.4
Depth	45 mm		Exclusive anchors and strip clamps order no. 29553.7
Specification	Rectangular shower tray made of sanitary acrylic of 4-5 mm		Noise control band, order no. 29555.1
Weight	21,5 kg	Colours	000 – White

TECHNICAL DRAWINGS / S 1 : 20



SET LAUFEN SOLUTIONS

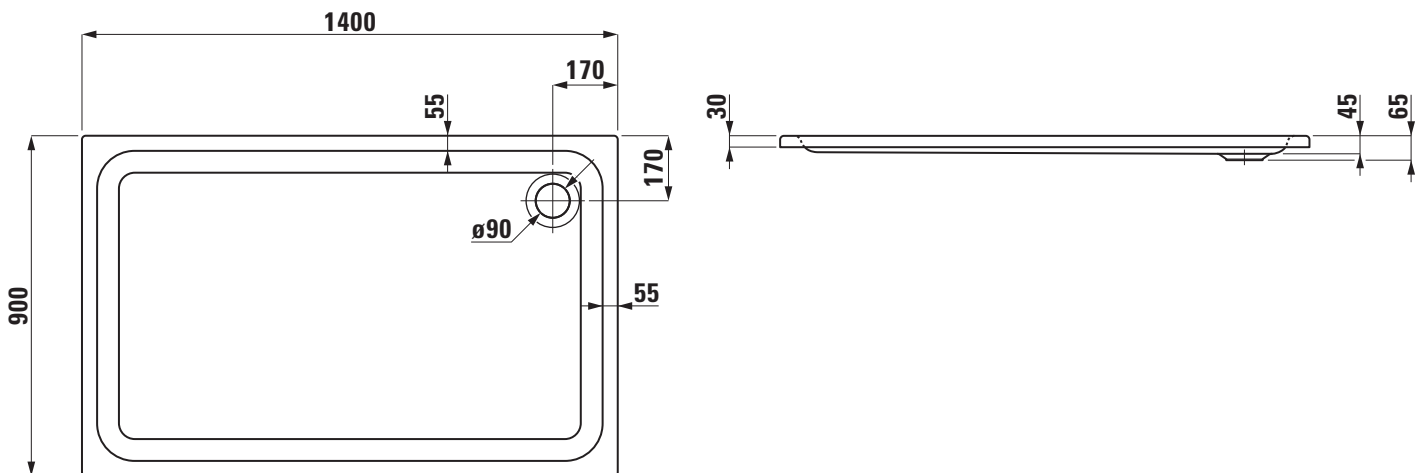
Shower tray rectangular 21250.8



TECHNICAL DATA

Order no.	21250.8	Mounting acc. excl.	Feet for shower tray, order no. 29555.7
Certified to	EN 14527 (EN 249), EN 251		Waste Ø 90 mm, order no. 29512.0
Dimensions	1400 x 900 mm		Waste cover stainless steel, order no. 29512.4
Depth	45 mm		Exclusive anchors and strip clamps order no. 29553.7
Specification	Rectangular shower tray made of sanitary acrylic of 4-5 mm		Noise control band, order no. 29555.1
Weight	22,0 kg	Colours	000 – White

TECHNICAL DRAWINGS / S 1 : 20



SET LAUFEN SOLUTIONS

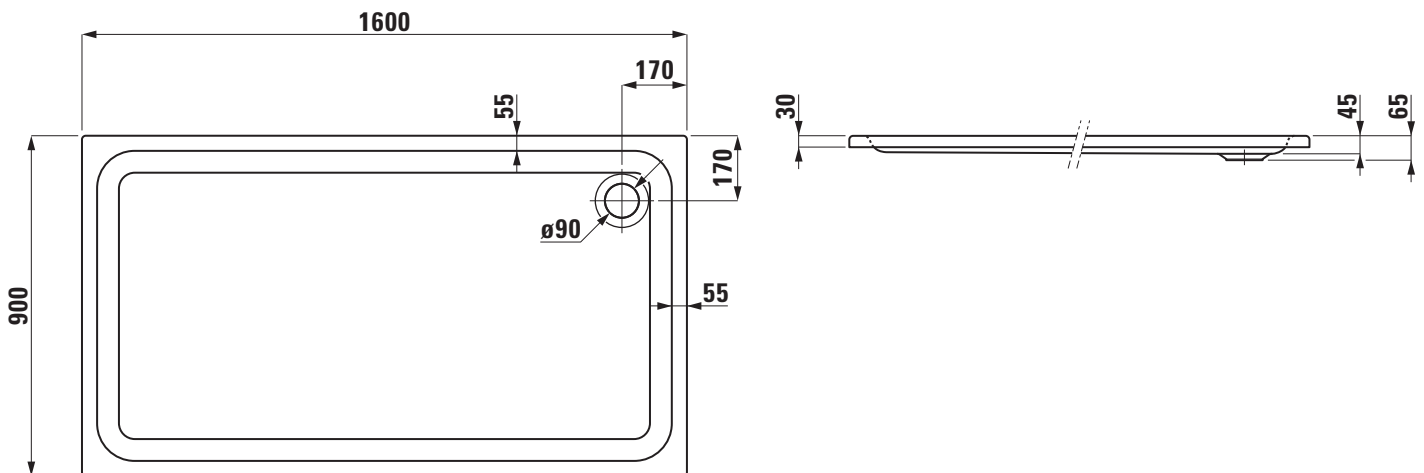
Shower tray rectangular 21450.8



TECHNICAL DATA

Order no.	21450.8	Mounting acc. excl.	Feet for shower tray, order no. 29555.8
Certified to	EN 14527 (EN 249), EN 251		Waste Ø 90 mm, order no. 29512.0
Dimensions	1600 x 900 mm		Waste cover stainless steel, order no. 29512.4
Depth	45 mm		Exclusive anchors and strip clamps order no. 29553.7
Specification	Rectangular shower tray made of sanitary acrylic of 4-5 mm		Noise control band, order no. 29555.1
Weight	24,0 kg	Colours	000 – White

TECHNICAL DRAWINGS / S 1 : 20



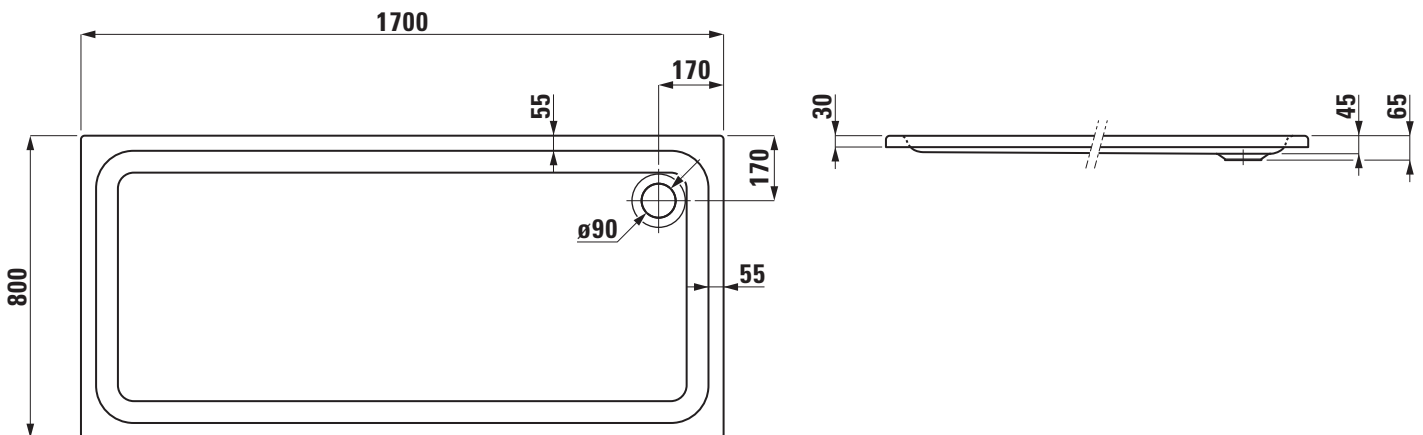
**Shower tray
rectangular
21550.7**



TECHNICAL DATA

Order no.	21550.7	Mounting acc. excl.	Feet for shower tray, order no. 29555.8
Certified to	EN 14527 (EN 249), EN 251		Waste Ø 90 mm, order no. 29512.0
Dimensions	1700 x 800 mm		Waste cover stainless steel, order no. 29512.4
Depth	45 mm		Exclusive anchors and strip clamps order no. 29553.7
Specification	Rectangular shower tray made of sanitary acrylic of 4-5 mm		Noise control band, order no. 29555.1
Weight	24,0 kg	Colours	000 – White

TECHNICAL DRAWINGS / S 1 : 20



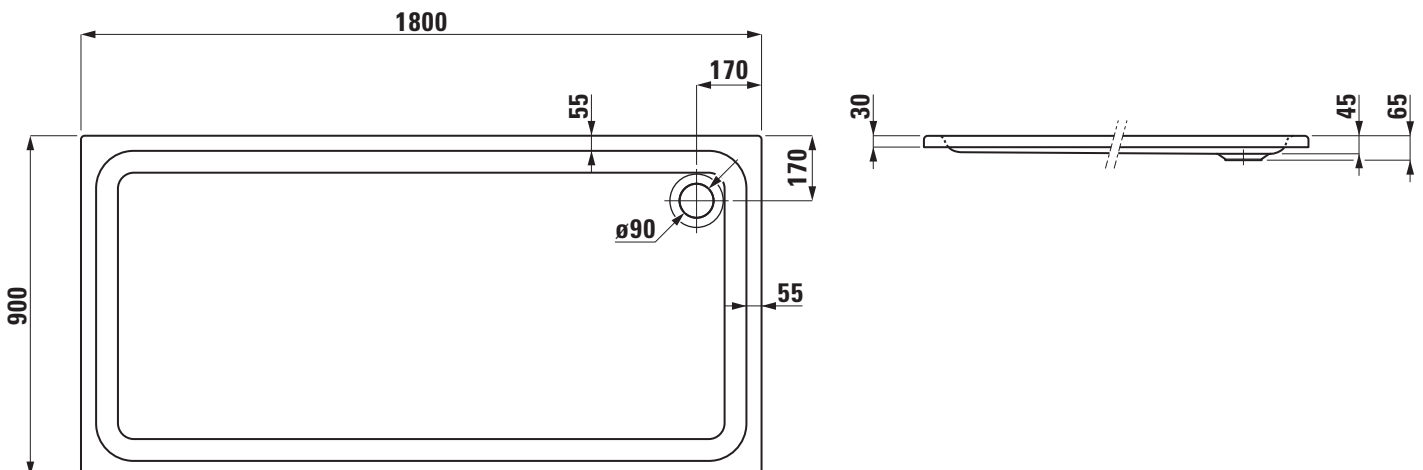
**Shower tray
rectangular
21650.8**



TECHNICAL DATA

Order no.	21650.8	Mounting acc. excl.	Feet for shower tray, order no. 29555.8
Certified to	EN 14527 (EN 249), EN 251		Waste Ø 90 mm, order no. 29512.0
Dimensions	1800 x 900 mm		Waste cover stainless steel, order no. 29512.4
Depth	45 mm		Exclusive anchors and strip clamps order no. 29553.7
Specification	Rectangular shower tray made of sanitary acrylic of 4-5 mm		Noise control band, order no. 29555.1
Weight	28,0 kg	Colours	000 – White

TECHNICAL DRAWINGS / S 1 : 20



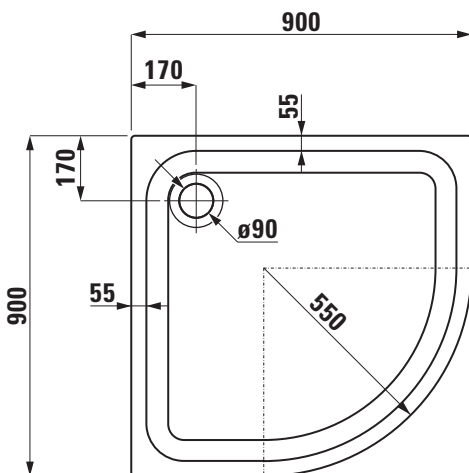
**Shower tray
corner
21350.2**



TECHNICAL DATA

Order no.	21350.2	Mounting acc. excl.	Feet for shower tray
Certified to	EN 14527 (EN 249), EN 251		87-115 mm, order no. 29555.4
Dimensions	900 x 900 mm		Waste Ø 90 mm, order no. 29512.0
Depth	45 mm		Waste cover stainless steel, order no. 29512.4
Specification	Corner shower tray made of sanitary acrylic of 4-5 mm		Exclusive anchors and strip clamps order no. 29553.7
Weight	11,0 kg		Noise control band, order no. 29555.1
		Colours	000 – White

TECHNICAL DRAWINGS / S 1 : 20



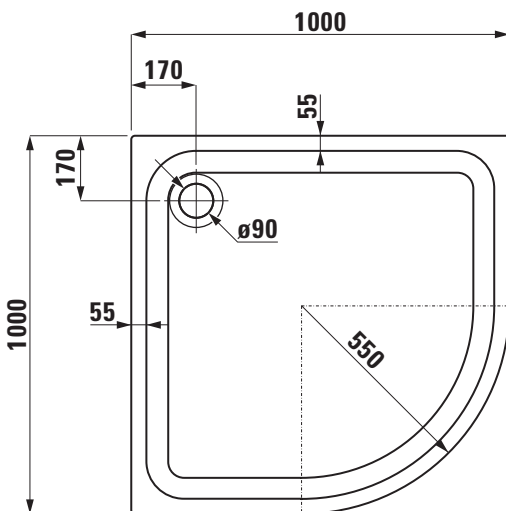
**Shower tray
corner
21350.3**



TECHNICAL DATA

Order no.	21350.3	Mounting acc. excl.	Feet for shower tray
Certified to	EN 14527 (EN 249), EN 251		87-115 mm, order no. 29555.4
Dimensions	1000 x 1000 mm		Waste Ø 90 mm, order no. 29512.0
Depth	45 mm		Waste cover stainless steel, order no. 29512.4
Specification	Corner shower tray made of sanitary acrylic of 4-5 mm		Exclusive anchors and strip clamps order no. 29553.7
Weight	15,5 kg		Noise control band, order no. 29555.1
		Colours	000 – White

TECHNICAL DRAWINGS / S 1 : 20



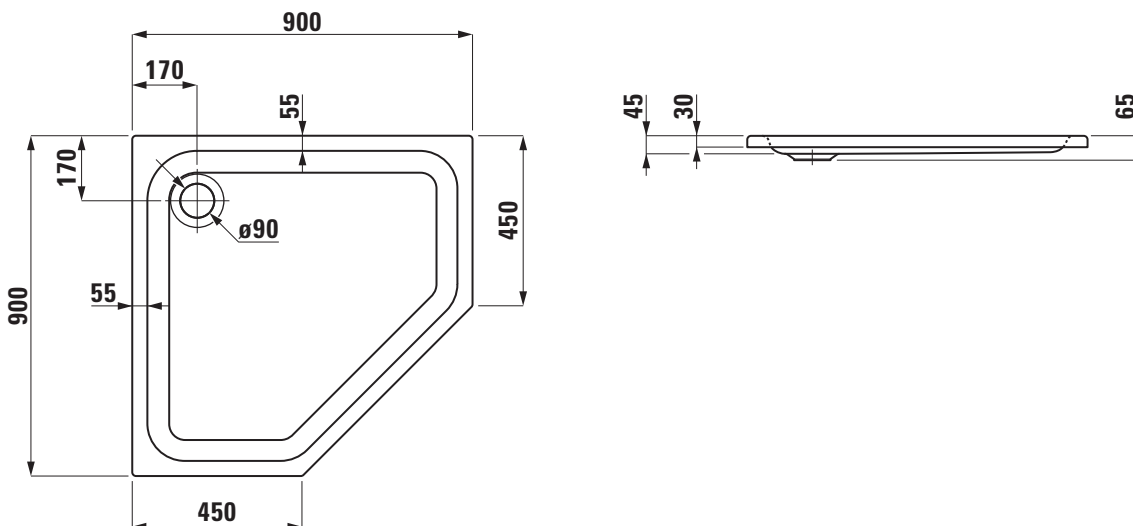
**Shower tray
pentagon
21450.2**



TECHNICAL DATA

Order no.	21450.2	Mounting acc. excl.	Feet for shower tray, order no. 29555.5
Certified to	EN 14527 (EN 249), EN 251		Waste Ø 90 mm, order no. 29512.0
Dimensions	900 x 900 mm		Waste cover stainless steel, order no. 29512.4
Depth	45 mm		Exclusive anchors and strip clamps order no. 29553.7
Specification	Pentagon shower tray made of sanitary acrylic of 4-5 mm		Noise control band, order no. 29555.1
Weight	15,5 kg	Colours	000 – White

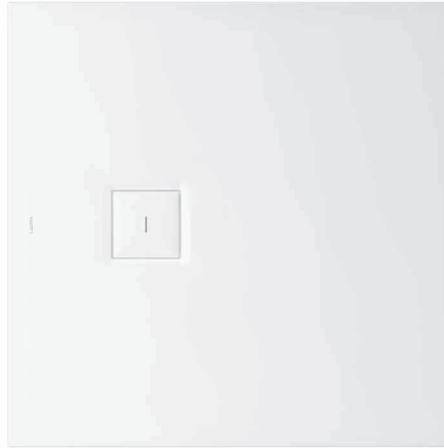
TECHNICAL DRAWINGS / S 1 : 20



**LAUFEN SOLUTIONS
MARBOND SHOWER TRAYS**

Shower tray MARBOND square

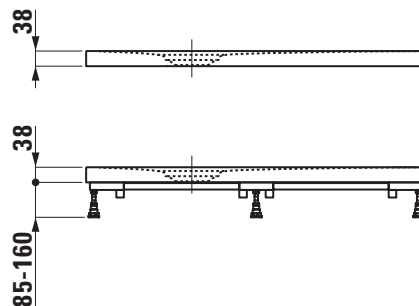
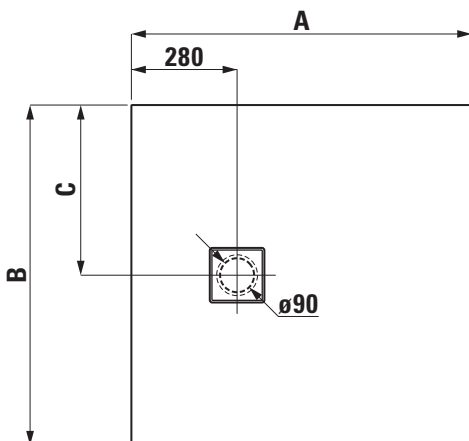
21344.0
21544.2
21644.1



TECHNICAL DATA

Order no.	21344.0 / 800 mm 21544.2 / 900 mm 21644.1 / 1000 mm	Mounting acc. excl.	Installation frame, adjustable height between 85-160 mm, order no. 29844.1 Antinoise set for the frame installation to fulfil DIN 4109 and SIA 181, order no. 29898.8 3-D sealing tape: Sealing set 3,0 m, for sealed sides \leq 3 m, includes 1 sealing tape (width 120 mm, length 3 m), 3-D inside corner for sealing (1 piece) and 2x 3 m antinoise tape (width 30 mm), order no. 29564.2 Additional sealing set 2,0 m, for sealed sides \geq 3 m, order no. 29564.7 3-D sealing corners: Inside corner, 1 piece, order no. 29564.3 Outside corner for floor-even installation, set 3 parts, order no. 29564.4 Dispersion sealing composition, tube 500 ml, order no. 29564.5 Noise control band, order no. 29555.1
Certified to	EN 14257, EN 251		
Dimensions	see table below		
Depth	38 mm		
Specification	Square shower tray made of Marbond (Gel Coat surface) with Antislip, Class C (DIN 51097) Removable siphon cover For floor-even installation or on floor installation		
Weight	21344.0 – 31,0 kg / 21544.2 – 44,0 kg 21644.1 – 51,0 kg		
Mounting acc. excl.	Mounting box type DN 50, height 100 mm incl. waste, \varnothing 90 mm without cover (pre-assembled) left, order no. 29004.3, right, order no. 29004.4 Mounting box type DN 40, height 75 mm incl. waste, \varnothing 90 mm without cover (pre-assembled) left, order no. 29003.3, right, order no. 29003.4 Waste DN 50, \varnothing 90 mm without cover, order no. 29512.7 Mounting box type DN 50, height 100 mm, left, order no. 29004.1, right, order no. 29004.2 Mounting box type DN 40, height 75 mm, left, order no. 29003.1, right, order no. 29003.2	Otherwise	For customised Marbond shower trays order no. 21644.0 please use the order form.
		Colours	000 – White, 035 – Sand

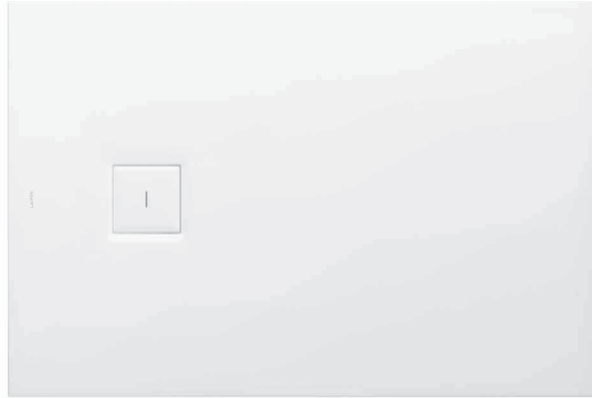
TECHNICAL DRAWINGS / S 1 : 20



Order no.	A / mm	B / mm	C / mm
21344.0	800	800	400
21544.2	900	900	450
21644.1	1000	1000	500

Shower tray MARBOND rectangular

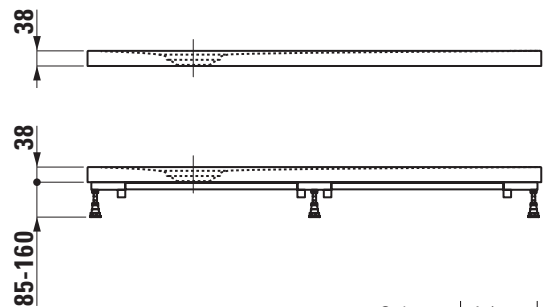
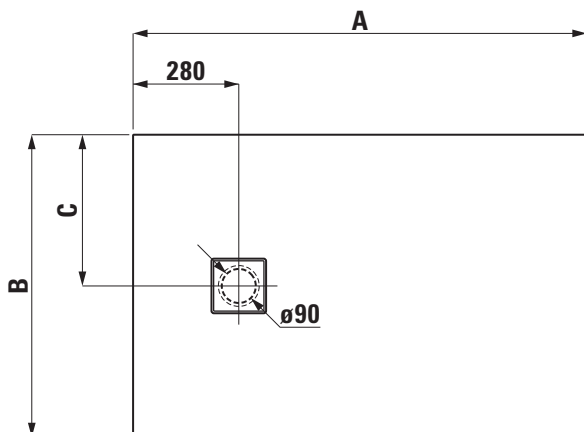
21344.1 / 21344.2
21544.3 / 21344.3
21544.1 / 21544.4
21644.2



TECHNICAL DATA

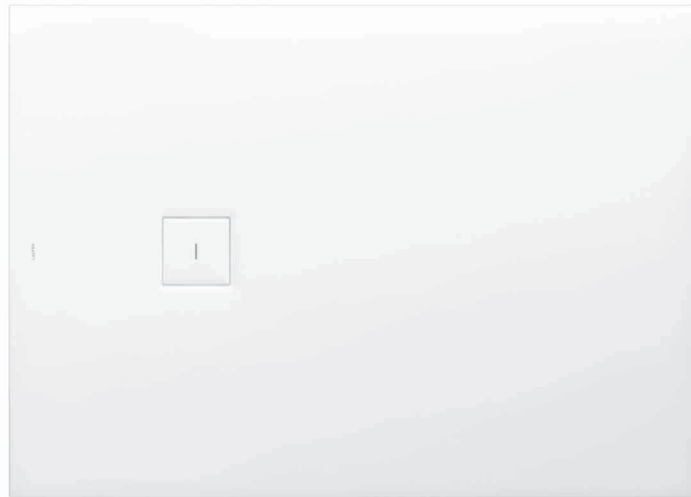
Order no.	21344.1, 21344.2, 21544.3 / 1000 mm 21344.3, 21544.1, 21544.4, 21644.2 / 1200 mm	Mounting acc. excl.	Installation frame, adjustable height between 85-160 mm, order no. 29844.1
Certified to	EN 14257, EN 251		Antinoise set for the frame installation to fulfil DIN 4109 and SIA 181, order no. 29898.8
Dimensions	see table below		3-D sealing tape:
Depth	38 mm		Sealing set 3,0 m, for sealed sides \leq 3 m, includes 1 sealing tape (width 120 mm, length 3 m), 3-D inside corner for sealing (1 piece) and 2x 3 m antinoise tape (width 30 mm), order no. 29564.2
Specification	Rectangular shower tray made of Marbond (Gel Coat surface) with Antislip, Class C (DIN 51097) Removable siphon cover For floor-even installation or on floor installation		Additional sealing set 2,0 m, for sealed sides \geq 3 m, order no. 29564.7
Weight	21344.1 – 31,0 kg / 21344.2 – 40,0 kg 21544.3 – 48,5 kg 21344.3 – 41,0 kg / 21544.1 – 51,0 kg 21544.4 – 57,0 kg / 21644.2 – 62,0 kg		3-D sealing corners: Inside corner, 1 piece, order no. 29564.3 Outside corner for floor-even installation, set 3 parts, order no. 29564.4 Dispersion sealing composition, tube 500 ml, order no. 29564.5 Noise control band, order no. 29555.1
Mounting acc. excl.	Mounting box type DN 50, height 100 mm incl. waste, \varnothing 90 mm without cover (pre-assembled) left, order no. 29004.3, right, order no. 29004.4 Mounting box type DN 40, height 75 mm incl. waste, \varnothing 90 mm without cover (pre-assembled) left, order no. 29003.3, right, order no. 29003.4 Waste DN 50, \varnothing 90 mm without cover, order no. 29512.7 Mounting box type DN 50, height 100 mm, left, order no. 29004.1, right, order no. 29004.2 Mounting box type DN 40, height 75 mm, left, order no. 29003.1, right, order no. 29003.2	Otherwise	For customised Marbond shower trays order no. 21644.0 please use the order form.
		Colours	000 – White, 035 – Sand

TECHNICAL DRAWINGS / S 1 : 20



Order no.	A / mm	B / mm	C / mm
21344.1	1000	700	350
21344.2	1000	800	400
21544.3	1000	900	450
21344.3	1200	700	350
21544.1	1200	800	400
21544.4	1200	900	450
21644.2	1200	1000	500

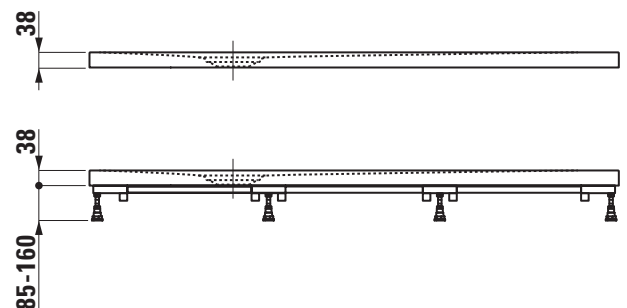
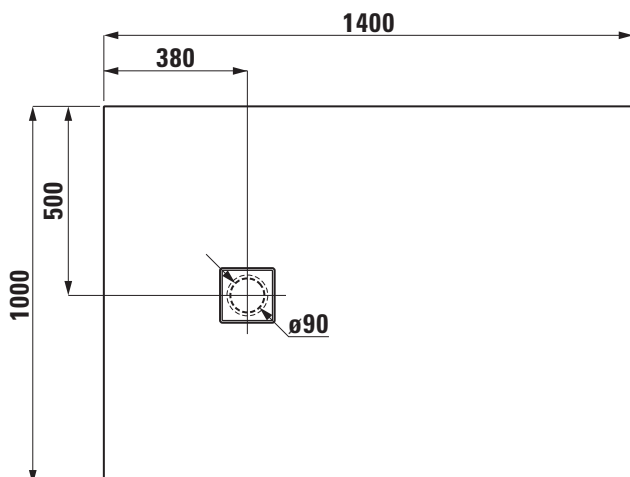
Shower tray MARBOND rectangular 21344.5



TECHNICAL DATA

Order no.	21344.5	Mounting acc. excl.	Installation frame, adjustable height between 85-160 mm, order no. 29844.2
Certified to	EN 14257, EN 251		Antinoise set for the frame installation to fulfil DIN 4109 and SIA 181, order no. 29898.9
Dimensions	1400 x 1000 mm		3-D sealing tape:
Depth	38 mm		Sealing set 3,0 m, for sealed sides \leq 3 m, includes 1 sealing tape (width 120 mm, length 3 m), 3-D inside corner for sealing (1 piece) and 2x 3 m antinoise tape (width 30 mm), order no. 29564.2
Specification	Rectangular shower tray made of Marbond (Gel Coat surface) with Antislip, Class C (DIN 51097) Removable siphon cover, stainless steel For floor-even installation or on floor installation		Additional sealing set 2,0 m, for sealed sides \geq 3 m, order no. 29564.7
Weight	63,0 kg		3-D sealing corners: Inside corner, 1 piece, order no. 29564.3 Outside corner for floor-even installation, set 3 parts, order no. 29564.4 Dispersion sealing composition, tube 500 ml, order no. 29564.5 Noise control band, order no. 29555.1
Mounting acc. excl.	Mounting box type DN 50, height 100 mm incl. waste, \varnothing 90 mm without cover (pre-assembled) left, order no. 29004.3, right, order no. 29004.4 Mounting box type DN 40, height 75 mm incl. waste, \varnothing 90 mm without cover (pre-assembled) left, order no. 29003.3, right, order no. 29003.4 Waste DN 50, \varnothing 90 mm without cover, order no. 29512.7 Mounting box type DN 50, height 100 mm, left, order no. 29004.1, right, order no. 29004.2 Mounting box type DN 40, height 75 mm, left, order no. 29003.1, right, order no. 29003.2	Otherwise	For customised Marbond shower trays order no. 21644.0 please use the order form.
		Colours	000 – White, 035 – Sand

TECHNICAL DRAWINGS / S 1 : 20



Shower tray MARBOND rectangular

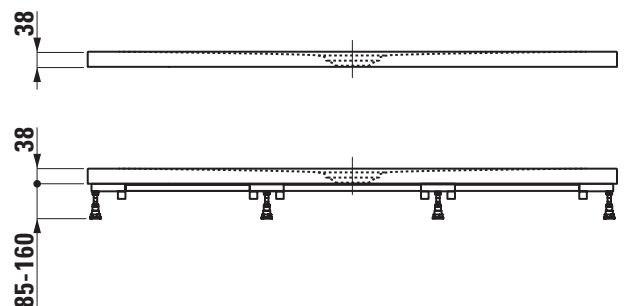
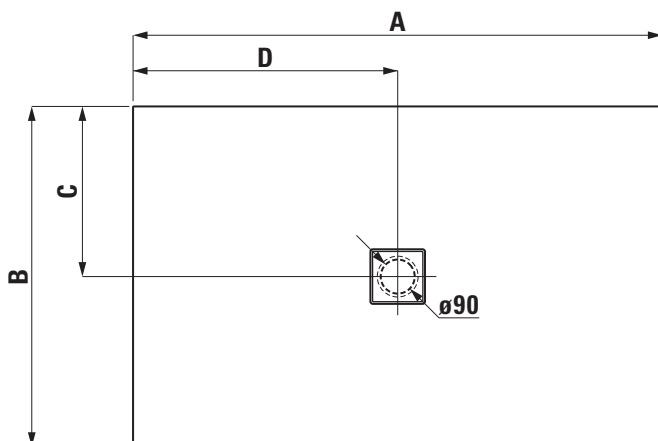
21344.4
21544.5
21344.6
21544.6



TECHNICAL DATA

Order no.	21344.4, 21544.5 / 1400 mm 21344.6, 21544.6 / 1600 mm	Mounting acc. excl.	Installation frame, adjustable height between 85-160 mm, order no. 29844.2
Certified to	EN 14257, EN 251		Antinoise set for the frame installation to fulfil DIN 4109 and SIA 181, order no. 29898.9
Dimensions	see table below		3-D sealing tape:
Depth	38 mm		Sealing set 3,0 m, for sealed sides ≤ 3 m, includes 1 sealing tape (width 120 mm, length 3 m), 3-D inside corner for sealing (1 piece) and 2x 3 m antinoise tape (width 30 mm), order no. 29564.2
Specification	Rectangular shower tray made of Marbond (Gel Coat surface) with Antislip, Class C (DIN 51097) Removable siphon cover For floor-even installation or on floor installation		Additional sealing set 2,0 m, for sealed sides ≥ 3 m, order no. 29564.7
Weight	21344.4 – 47,0 kg / 21544.5 – 67,5 kg 21344.6 – 45,0 kg / 21544.6 – 74,0 kg		3-D sealing corners:
Mounting acc. excl.	Mounting box type DN 50, height 100 mm incl. waste, \varnothing 90 mm without cover (pre-assembled) left, order no. 29004.3, right, order no. 29004.4 Mounting box type DN 40, height 75 mm incl. waste, \varnothing 90 mm without cover (pre-assembled) left, order no. 29003.3, right, order no. 29003.4 Waste DN 50, \varnothing 90 mm without cover, order no. 29512.7 Mounting box type DN 50, height 100 mm, left, order no. 29004.1, right, order no. 29004.2 Mounting box type DN 40, height 75 mm, left, order no. 29003.1, right, order no. 29003.2		Inside corner, 1 piece, order no. 29564.3 Outside corner for floor-even installation, set 3 parts, order no. 29564.4 Dispersion sealing composition, tube 500 ml, order no. 29564.5 Noise control band, order no. 29555.1
		Otherwise	For customised Marbond shower trays order no. 21644.0 please use the order form.
		Colours	000 – White, 035 – Sand

TECHNICAL DRAWINGS / S 1 : 20

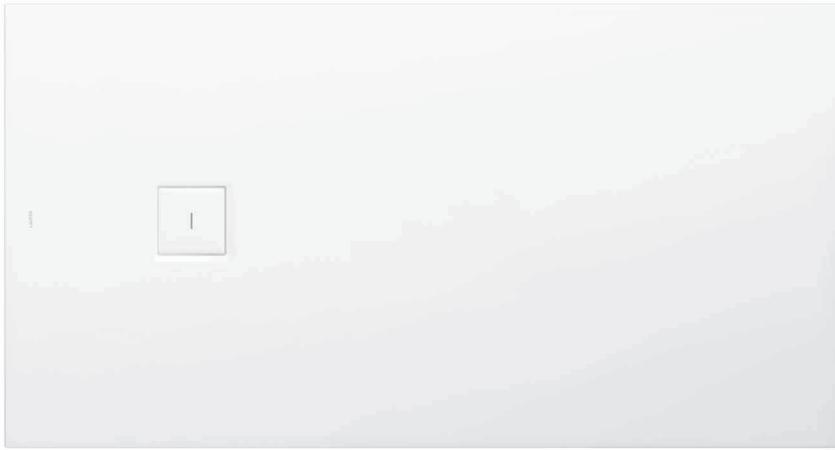


Order no.	A / mm	B / mm	C / mm	D / mm
21344.4	1400	800	400	700
21544.5	1400	900	450	700
21344.6	1600	800	400	800
21544.6	1600	900	450	800

SET LAUFEN SOLUTIONS

Shower tray MARBOND rectangular

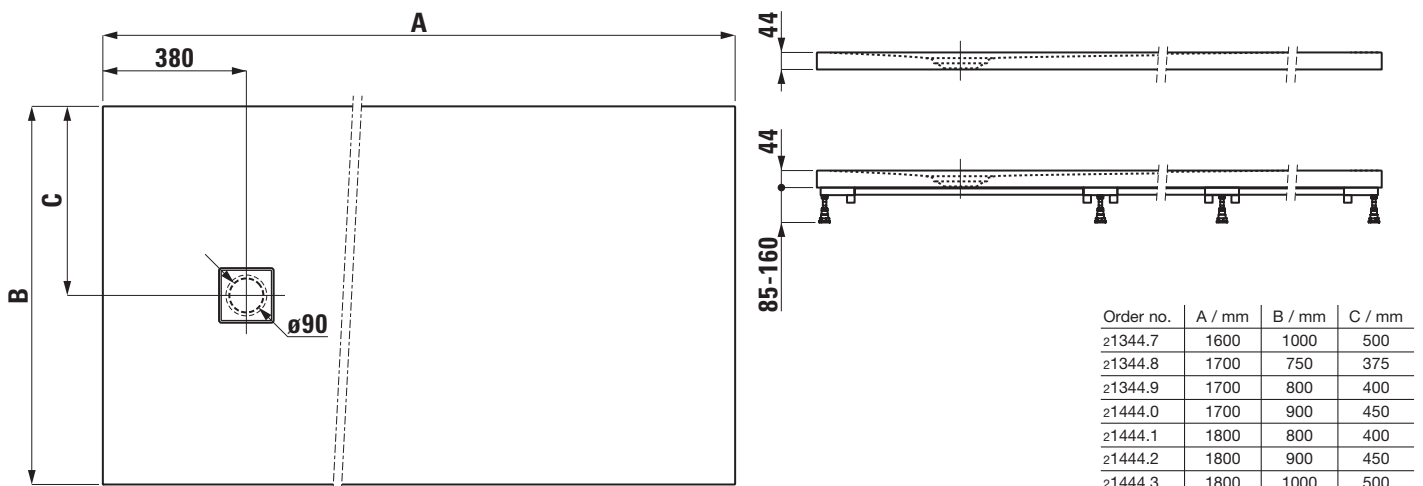
21344.7 / 21344.8
21344.9 / 21444.0
21444.1 / 21444.2
21444.3



TECHNICAL DATA

Order no.	21344.7 / 1600 mm 21344.8, 21344.9, 21444.0 / 1700 mm 21444.1, 21444.2, 21444.3 / 1800 mm	Mounting acc. excl.	Installation frame, adjustable height between 85-160 mm, order no. 29844.2 Antinoise set for the frame installation to fulfil DIN 4109 and SIA 181, order no. 29898.9 3-D sealing tape: Sealing set 3,0 m, for sealed sides \leq 3 m, includes 1 sealing tape (width 120 mm, length 3 m), 3-D inside corner for sealing (1 piece) and 2x 3 m antinoise tape (width 30 mm), order no. 29564.2 Additional sealing set 2,0 m, for sealed sides \geq 3 m, order no. 29564.7 3-D sealing corners: Inside corner, 1 piece, order no. 29564.3 Outside corner for floor-even installation, set 3 parts, order no. 29564.4 Dispersion sealing composition, tube 500 ml, order no. 29564.5 Noise control band, order no. 29555.1
Certified to	EN 14257, EN 251		
Dimensions	see table below		
Depth	44 mm		
Specification	Rectangular shower tray made of Marbond (Gel Coat surface) with Antislip, Class C (DIN 51097) Removable siphon cover, stainless steel For floor-even installation or on floor installation		
Weight	21344.7 – 76,0 kg / 21344.8 – 49,0 kg 21344.9 – 31,0 kg / 21444.0 – 67,0 kg 21444.1 – 61,0 kg / 21444.2 – 19,0 kg 21444.3 – 91,0 kg		
Mounting acc. excl.	Mounting box type DN 50, height 100 mm incl. waste, \varnothing 90 mm without cover (pre-assembled) left, order no. 29004.3, right, order no. 29004.4 Mounting box type DN 40, height 75 mm incl. waste, \varnothing 90 mm without cover (pre-assembled) left, order no. 29003.3, right, order no. 29003.4 Waste DN 50, \varnothing 90 mm without cover, order no. 29512.7 Mounting box type DN 50, height 100 mm, left, order no. 29004.1, right, order no. 29004.2 Mounting box type DN 40, height 75 mm, left, order no. 29003.1, right, order no. 29003.2	Otherwise	For customised Marbond shower trays order no. 21644.0 please use the order form.
		Colours	000 – White, 035 – Sand

TECHNICAL DRAWINGS / S 1 : 20



Shower tray MARBOND rectangular

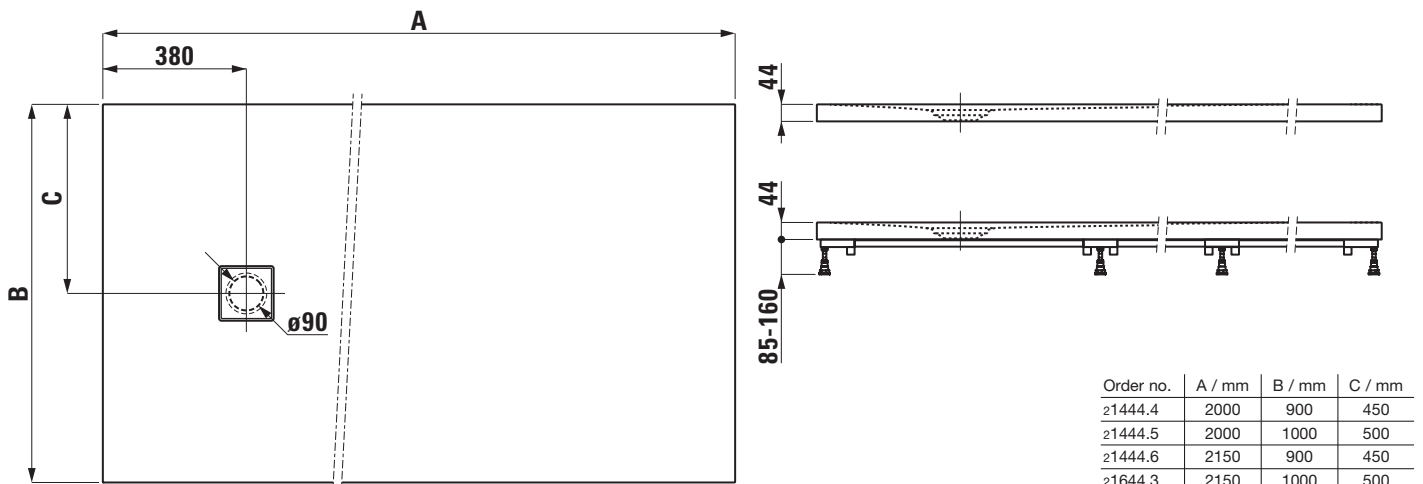
21444.4
21444.5
21444.6
21644.3



TECHNICAL DATA

Order no.	21444.4, 21444.5 / 2000 mm 21444.6, 21644.3 / 2150 mm	Mounting acc. excl.	Installation frame, adjustable height between 85-160 mm, order no. 29844.2 Antinoise set for the frame installation to fulfil DIN 4109 and SIA 181, order no. 29898.9 3-D sealing tape: Sealing set 3,0 m, for sealed sides \leq 3 m, includes 1 sealing tape (width 120 mm, length 3 m), 3-D inside corner for sealing (1 piece) and 2x 3 m antinoise tape (width 30 mm), order no. 29564.2 Additional sealing set 2,0 m, for sealed sides \geq 3 m, order no. 29564.7 3-D sealing corners: Inside corner, 1 piece, order no. 29564.3 Outside corner for floor-even installation, set 3 parts, order no. 29564.4 Dispersion sealing composition, tube 500 ml, order no. 29564.5 Noise control band, order no. 29555.1
Certified to	EN 14257, EN 251	Otherwise	For customised Marbond shower trays order no. 21644.0 please use the order form.
Dimensions	see table below	Colours	000 – White, 035 – Sand
Depth	44 mm		
Specification	Rectangular shower tray made of Marbond (Gel Coat surface) with Antislip, Class C (DIN 51097) Removable siphon cover For floor-even installation or on floor installation		
Weight	21444.4 – 94,0 kg / 21444.5 – 96,0 kg 21444.6 – 95,0 kg / 21644.3 – 109,0 kg		
Mounting acc. excl.	Mounting box type DN 50, height 100 mm incl. waste, \varnothing 90 mm without cover (pre-assembled) left, order no. 29004.3, right, order no. 29004.4 Mounting box type DN 40, height 75 mm incl. waste, \varnothing 90 mm without cover (pre-assembled) left, order no. 29003.3, right, order no. 29003.4 Waste DN 50, \varnothing 90 mm without cover, order no. 29512.7 Mounting box type DN 50, height 100 mm, left, order no. 29004.1, right, order no. 29004.2 Mounting box type DN 40, height 75 mm, left, order no. 29003.1, right, order no. 29003.2		

TECHNICAL DRAWINGS / S 1 : 20



LAUFEN SOLUTIONS

SHOWER TRAY MARBOND MADE TO MEASURE 21644.0

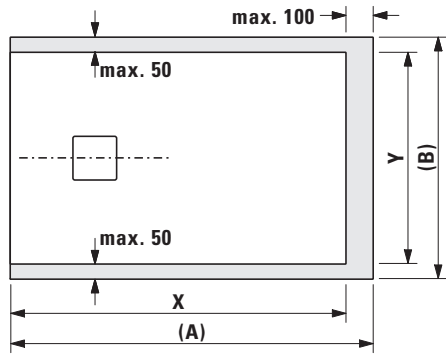
COPY BEFORE FILLING IN

tick the appropriate, respectively give the dimensions

We order _____ pieces
 (for several shower trays on measure please fill in one form per type)

Color:

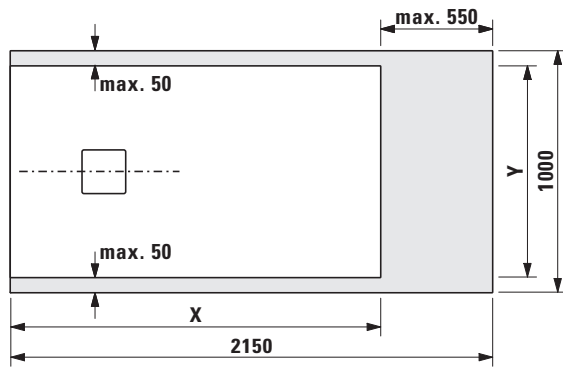
000 white 035 sand



For basic size (A x B) 900 x 900 mm / 1000 x 1000 mm / 1000 x 900 mm / 1200 x 800 mm / 1200 x 900 mm / 1200 x 1000 mm
Cutting maximum at 3 sides possible.

measure X: mm

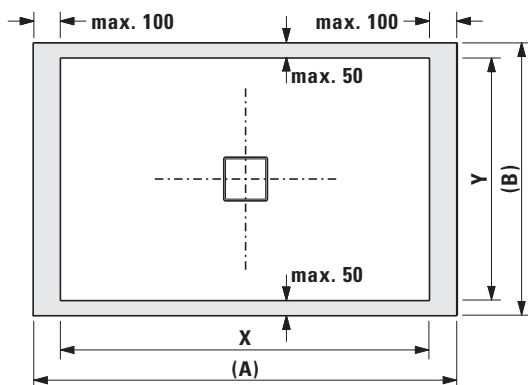
measure Y: mm



For basic size 2150 x 1000 mm
Cutting maximum at 3 sides possible.

measure X: mm

measure Y: mm



For basic size (A x B) 1400 x 900 mm / 1600 x 900 mm
Cutting at 4 sides possible.

measure X: mm

measure Y: mm

Dimension tolerances for shower trays to measure are reserved (+3 mm / -3 mm).

OBJECT: _____

ARTICLE-NR: _____

INSTALLER: _____

DISTRIBUTER: _____

DATE: _____

SIGNATURE: _____

Shower tray without Anti-Slip

852951 000 000 1

Shower tray with Anti-Slip

852951 600 000 1



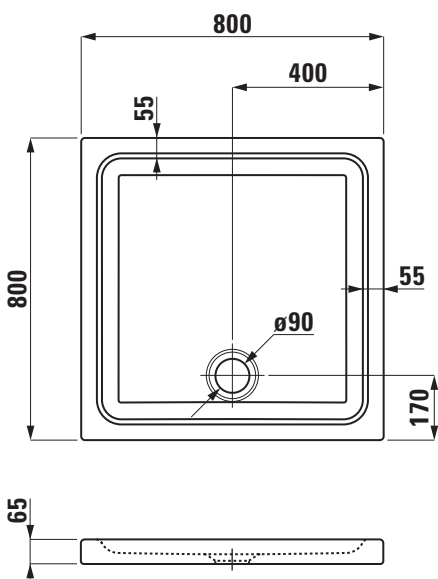
TECHNICAL DATA / WITHOUT ANTI-SLIP

Order no.	852951 000 000 1
Dimensions	800 x 800 mm
Depth	65 mm
Specification	square ceramic shower trays without Anti-Slip
Weight	44,0 kg
Mounting acc. excl.	use commercial outlet drain Ø 90 mm
Colours	see colour table

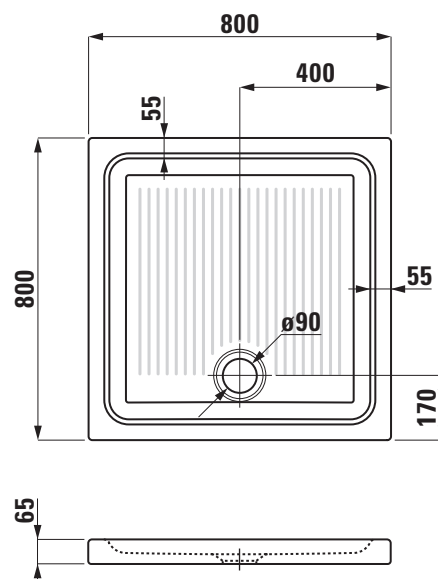
TECHNICAL DATA / WITH ANTI-SLIP

Order no.	852951 600 000 1
Standard	DIN 51097, Group B (till 24°)
Dimensions	800 x 800 mm
Depth	65 mm
Specification	square ceramic shower trays with Anti-Slip
Weight	44,0 kg
Mounting acc. excl.	use commercial outlet drain Ø 90 mm
Colours	see colour table

TECHNICAL DRAWINGS / S 1 : 20



TECHNICAL DRAWINGS / S 1 : 20



Shower tray without Anti-Slip

853951 000 000 1

Shower tray with Anti-Slip

853951 600 000 1



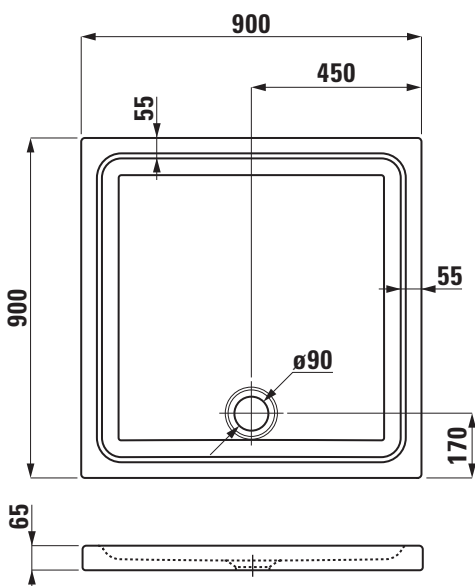
TECHNICAL DATA / WITHOUT ANTI-SLIP

Order no.	853951 000 000 1
Dimensions	900 x 900 mm
Depth	65 mm
Specification	square ceramic shower trays without Anti-Slip
Weight	35,0 kg
Mounting acc. excl.	use commercial outlet drain Ø 90 mm
Colours	see colour table

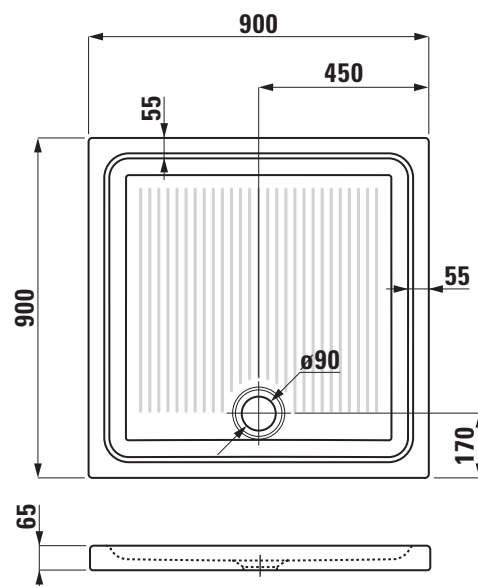
TECHNICAL DATA / WITH ANTI-SLIP

Order no.	853951 600 000 1
Standard	DIN 51097, Group B (till 24°)
Dimensions	900 x 900 mm
Depth	65 mm
Specification	square ceramic shower trays with Anti-Slip
Weight	35,0 kg
Mounting acc. excl.	use commercial outlet drain Ø 90 mm
Colours	see colour table

TECHNICAL DRAWINGS / S 1 : 20



TECHNICAL DRAWINGS / S 1 : 20



Shower tray without Anti-Slip

854951 000 000 1

Shower tray with Anti-Slip

854951 600 000 1



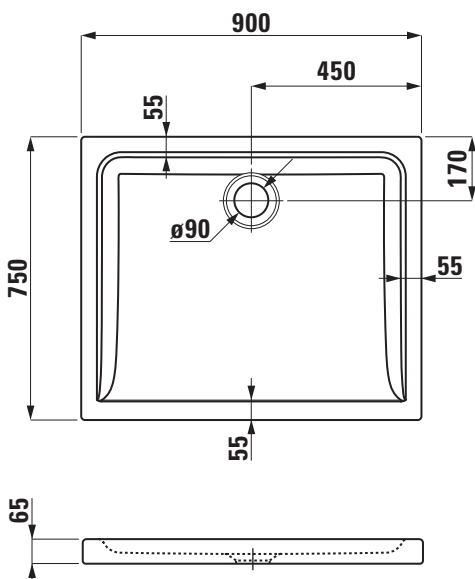
TECHNICAL DATA / WITHOUT ANTI-SLIP

Order no.	854951 000 000 1
Dimensions	900 x 750 mm
Depth	65 mm
Specification	rectangle ceramic shower trays without Anti-Slip
Weight	31,0 kg
Mounting acc. excl.	use commercial outlet drain Ø 90 mm
Colours	see colour table

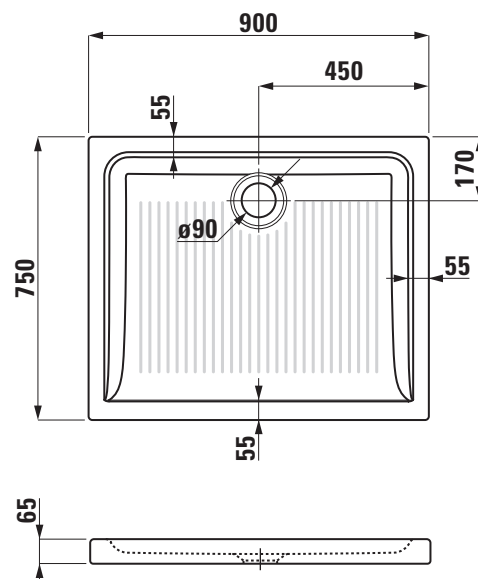
TECHNICAL DATA / WITH ANTI-SLIP

Order no.	854951 600 000 1
Standard	DIN 51097, Group B (till 24°)
Dimensions	900 x 750 mm
Depth	65 mm
Specification	rectangle ceramic shower trays with Anti-Slip
Weight	31,0 kg
Mounting acc. excl.	use commercial outlet drain Ø 90 mm
Colours	see colour table

TECHNICAL DRAWINGS / S 1 : 20



TECHNICAL DRAWINGS / S 1 : 20



Shower tray without Anti-Slip

854953 000 000 1

Shower tray with Anti-Slip

854953 600 000 1



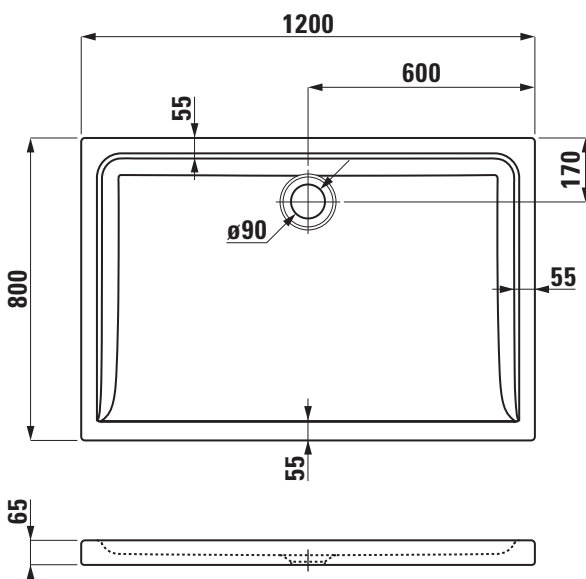
TECHNICAL DATA / WITHOUT ANTI-SLIP

Order no.	854953 000 000 1
Dimensions	1200 x 800 mm
Depth	65 mm
Specification	rectangle ceramic shower trays without Anti-Slip
Weight	45,0 kg
Mounting acc. excl.	use commercial outlet drain Ø 90 mm
Colours	see colour table

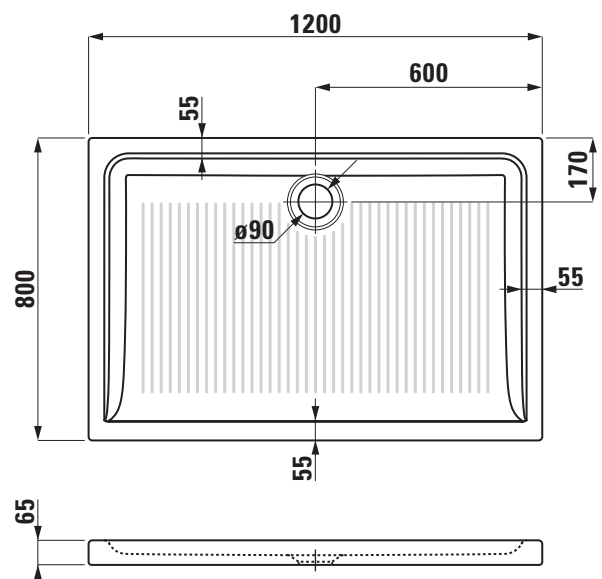
TECHNICAL DATA / WITH ANTI-SLIP

Order no.	854953 600 000 1
Standard	DIN 51097, Group B (till 24°)
Dimensions	1200 x 800 mm
Depth	65 mm
Specification	rectangle ceramic shower trays with Anti-Slip
Weight	45,0 kg
Mounting acc. excl.	use commercial outlet drain Ø 90 mm
Colours	see colour table

TECHNICAL DRAWINGS / S 1 : 20



TECHNICAL DRAWINGS / S 1 : 20



Shower tray without Anti-Slip

854954 000 000 1

Shower tray with Anti-Slip

854954 600 000 1



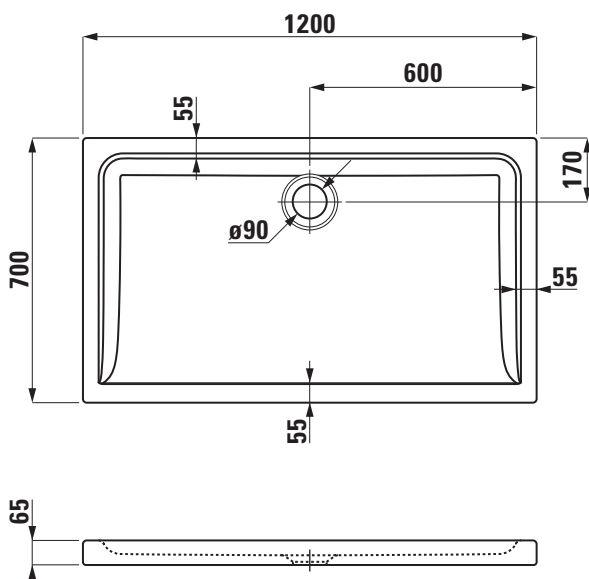
TECHNICAL DATA / WITHOUT ANTI-SLIP

Order no.	854954 000 000 1
Dimensions	1200 x 700 mm
Depth	65 mm
Specification	rectangle ceramic shower trays without Anti-Slip
Weight	33,0 kg
Mounting acc. excl.	use commercial outlet drain Ø 90 mm
Colours	see colour table

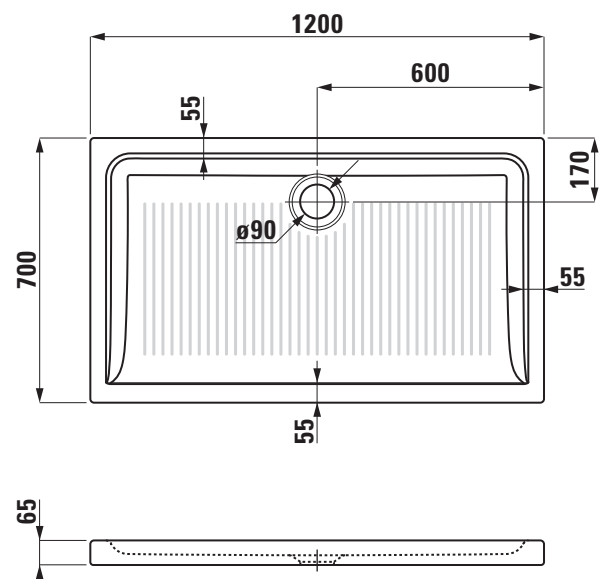
TECHNICAL DATA / WITH ANTI-SLIP

Order no.	854954 600 000 1
Standard	DIN 51097, Group B (till 24°)
Dimensions	1200 x 700 mm
Depth	65 mm
Specification	rectangle ceramic shower trays with Anti-Slip
Weight	33,0 kg
Mounting acc. excl.	use commercial outlet drain Ø 90 mm
Colours	see colour table

TECHNICAL DRAWINGS / S 1 : 20



TECHNICAL DRAWINGS / S 1 : 20



Corner shower tray without Anti-Slip

852953 000 000 1

Corner shower tray with Anti-Slip

852953 600 000 1



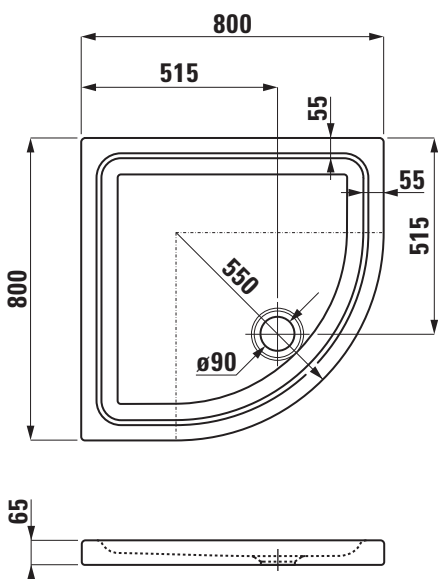
TECHNICAL DATA / WITHOUT ANTI-SLIP

Order no.	852953 000 000 1
Dimensions	800 x 800 mm
Depth	65 mm
Specification	quarter circle, standard R550 mm ceramic shower trays without Anti-Slip
Weight	25,5 kg
Mounting acc. excl.	use commercial outlet drain Ø 90 mm
Colours	see colour table

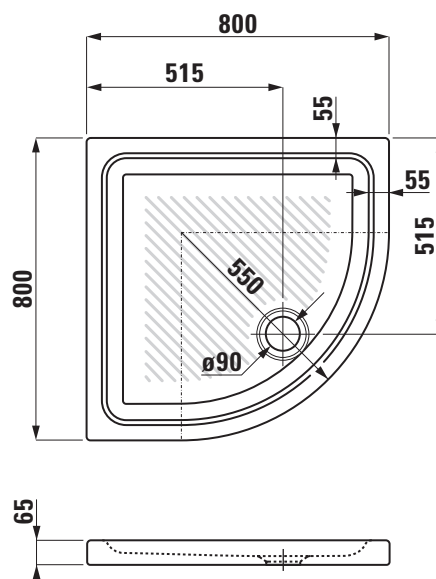
TECHNICAL DATA / WITH ANTI-SLIP

Order no.	852953 600 000 1
Standard	DIN 51097, Group B (till 24°)
Dimensions	800 x 800 mm
Depth	65 mm
Specification	quarter circle, standard R550 mm ceramic shower trays with Anti-Slip
Weight	25,5 kg
Mounting acc. excl.	use commercial outlet drain Ø 90 mm
Colours	see colour table

TECHNICAL DRAWINGS / S 1 : 20



TECHNICAL DRAWINGS / S 1 : 20



Corner shower tray without Anti-Slip

853953 000 000 1

Corner shower tray with Anti-Slip

853953 600 000 1



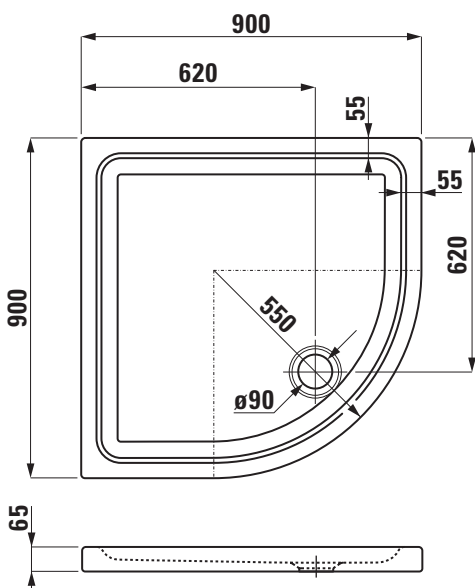
TECHNICAL DATA / WITHOUT ANTI-SLIP

Order no.	853953 000 000 1
Dimensions	900 x 900 mm
Depth	65 mm
Specification	quarter circle, standard R550 mm ceramic shower trays without Anti-Slip
Weight	34,0 kg
Mounting acc. excl.	use commercial outlet drain Ø 90 mm
Colours	see colour table

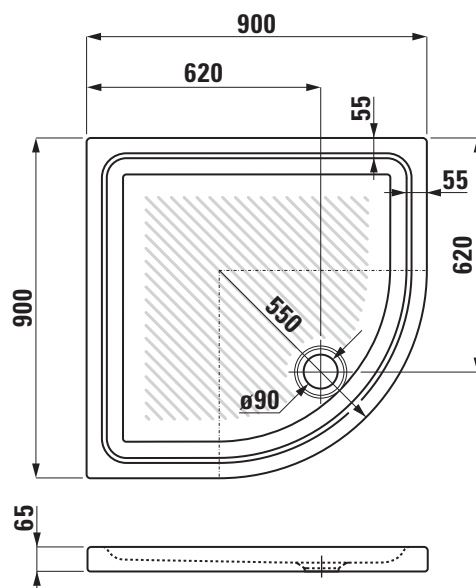
TECHNICAL DATA / WITH ANTI-SLIP

Order no.	853953 600 000 1
Standard	DIN 51097, Group B (till 24°)
Dimensions	900 x 900 mm
Depth	65 mm
Specification	quarter circle, standard R550 mm ceramic shower trays with Anti-Slip
Weight	34,0 kg
Mounting acc. excl.	use commercial outlet drain Ø 90 mm
Colours	see colour table

TECHNICAL DRAWINGS / S 1 : 20



TECHNICAL DRAWINGS / S 1 : 20



STEEL BATHTUBS

STEEL BATHTUBS

PALLADIUM

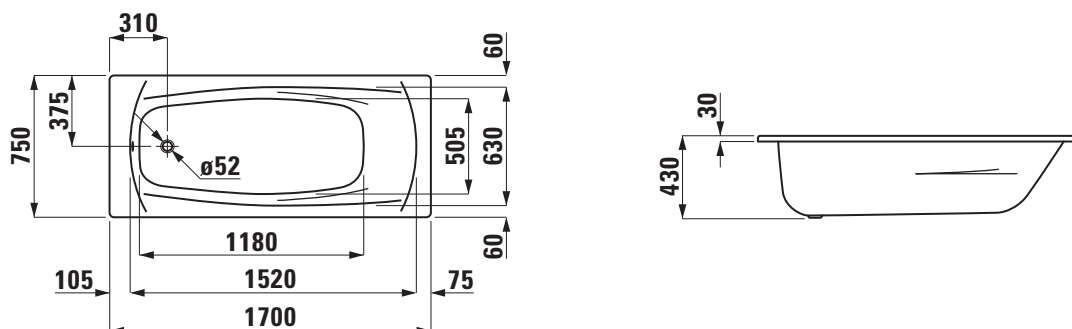
22511.0



TECHNICAL DATA

Order no.	22511.0	Mounting acc. excl.	Metal feet, order no. 29617.1
Certified to	EN 14516 (EN 198), EN 232		Waste and overflow, chromed, order no. 29511.0
Dimensions	1700 x 750 mm		Combined water inlet and overflow, chromed order no. 29511.1
Depth	430 mm		Noise control band, order no. 29555.1
Use capacity	135 litre (total: 205 litre)		Styrofoam carrier PORESTA order no. 17.030.067 or SCHEDEL order no. SW 10001
Specification	Bathtub made of 3,5 mm enamelled steel Charge 040 – with antinoise pads (fulfil DIN 4109) Charge 041 – with antinoise pads (fulfil SIA 181 and DIN 4109), only available in 000-White	Colours	000 – White 600 – White with Antislip
Weight	39,0 kg		
Accessories excl.	Gel Pillow, self adhesive, order no. 29410.3		

TECHNICAL DRAWINGS / S 1 : 40

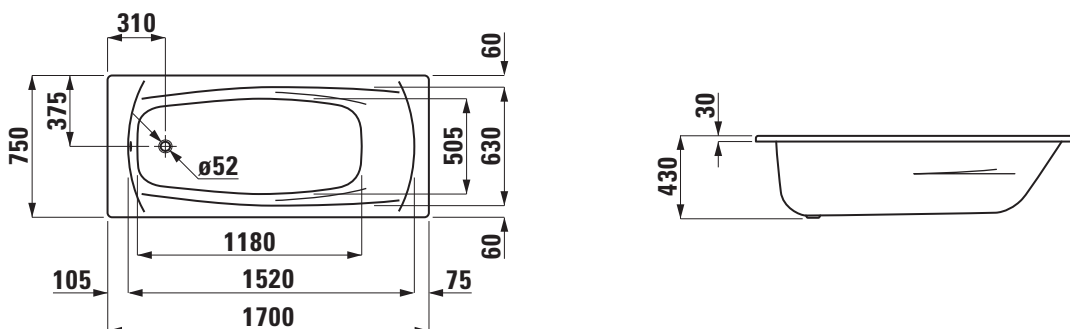




TECHNICAL DATA

Order no.	22511.3	Mounting acc. excl.	Metal feet, order no. 29617.1
Certified to	EN 14516 (EN 198), EN 232		Waste and overflow, chromed, order no. 29511.0
Dimensions	1700 x 750 mm		Combined water inlet and overflow, chromed order no. 29511.1
Depth	430 mm		Noise control band, order no. 29555.1
Use capacity	135 litre (total: 205 litre)		Styrofoam carrier PORESTA order no. 17.030.067 or SCHEDEL order no. SW 10001
Specification	Bathtub made of 3,5 mm enamelled steel with holes for the mounting of handles Charge 040 – with antinoise pads (fulfil DIN 4109)		
Weight	39,0 kg	Colours	000 – White
Accessories excl.	Bathtub handles, chromed, 2 pieces, order no. 29618.1 Gel Pillow, self adhesive, order no. 29410.3		600 – White with Antislip

TECHNICAL DRAWINGS / S 1 : 40



STEEL BATHTUBS

PALLADIUM

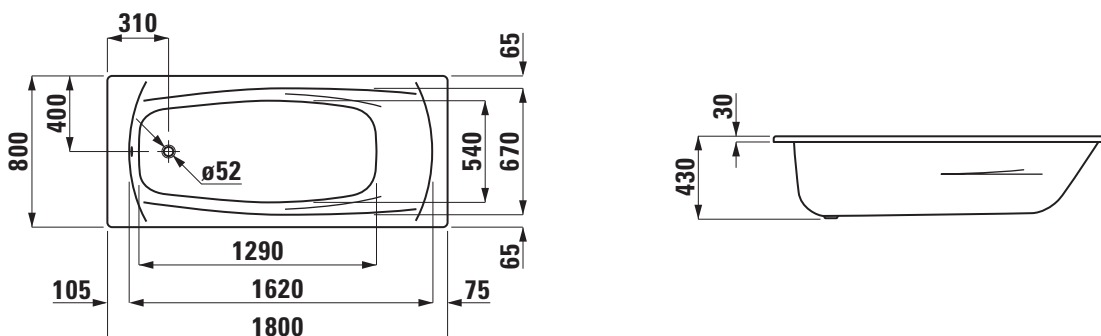
22510.0



TECHNICAL DATA

Order no.	22510.0	Mounting acc. excl.	Metal feet, order no. 29617.1
Certified to	EN 14516 (EN 198), EN 232		Waste and overflow, chromed, order no. 29511.0
Dimensions	1800 x 800 mm		Combined water inlet and overflow, chromed order no. 29511.1
Depth	430 mm		Noise control band, order no. 29555.1
Use capacity	165 litre (total: 235 litre)		Styrofoam carrier PORESTA order no. 17.030.069 or SCHEDEL order no. SW 80413
Specification	Bathtub made of 3,5 mm enamelled steel Charge 040 – with antinoise pads (fulfil DIN 4109) Charge 041 – with antinoise pads (fulfil SIA 181 and DIN 4109), only available in 000-White	Colours	000 – White 600 – White with Antislip
Weight	43,0 kg		
Accessories excl.	Gel Pillow, self adhesive, order no. 29410.3		

TECHNICAL DRAWINGS / S 1 : 40

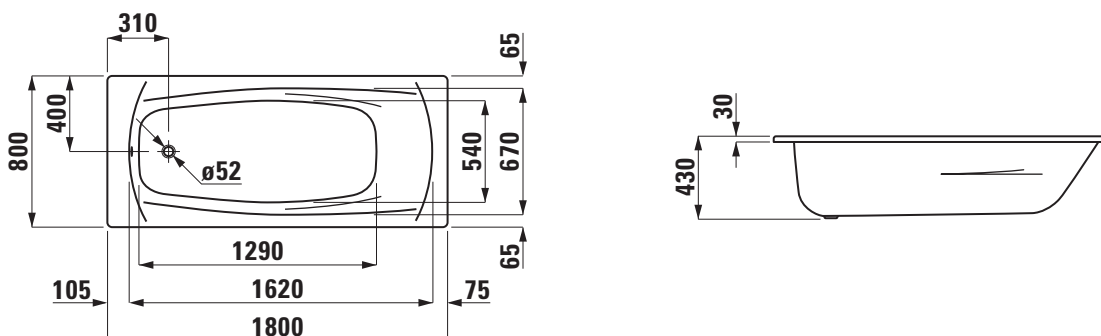




TECHNICAL DATA

Order no.	22510.3	Mounting acc. excl.	Metal feet, order no. 29617.1
Certified to	EN 14516 (EN 198), EN 232		Waste and overflow, chromed, order no. 29511.0
Dimensions	1800 x 800 mm		Combined water inlet and overflow, chromed order no. 29511.1
Depth	430 mm		Noise control band, order no. 29555.1
Use capacity	165 litre (total: 235 litre)		Styrofoam carrier PORESTA order no. 17.030.069 or SCHEDEL order no. SW 80413
Specification	Bathtub made of 3,5 mm enamelled steel with holes for the mounting of handles Charge 040 – with antinoise pads (fulfil DIN 4109)		
Weight	43,0 kg	Colours	000 – White
Accessories excl.	Bathtub handles, chromed, 2 pieces, order no. 29618.1 Gel Pillow, self adhesive, order no. 29410.3		600 – White with Antislip

TECHNICAL DRAWINGS / S 1 : 40

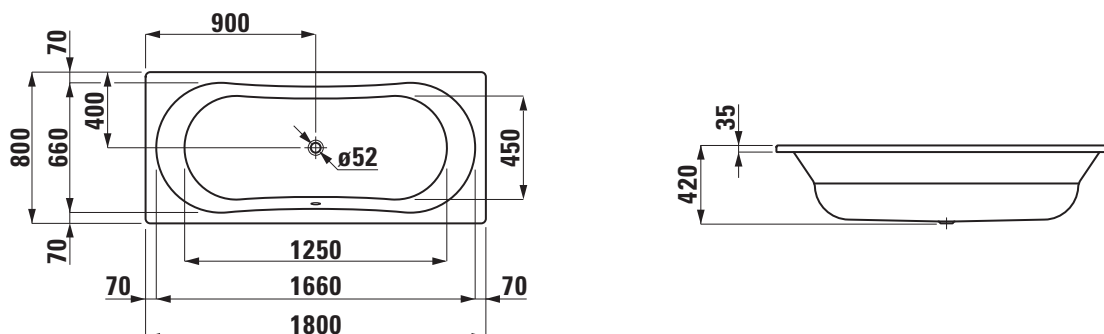




TECHNICAL DATA

Order no.	22509.0	Mounting acc. excl.	Metal feet, order no. 29617.2
Certified to	EN 14516 (EN 198), EN 232		Waste and overflow, chromed, order no. 29511.0
Dimensions	1800 x 800 mm		Combined water inlet and overflow, chromed order no. 29511.1
Depth	420 mm		Noise control band, order no. 29555.1
Use capacity	170 litre (total: 240 litre)		Styrofoam carrier PORESTA order no. 17.154.826, 17.720.737 or SCHEDEL order no. SW 80429
Specification	Bathtub made of 3,0 mm enamelled steel Charge 000 – without antinoise pads Charge 040 – with antinoise pads (fulfil DIN 4109) Charge 041 – with antinoise pads (fulfil SIA 181 and DIN 4109)	Colours	000 – White 600 – White with Antislip
Weight	42,0 kg		
Accessories excl.	Gel Pillow, self adhesive, order no. 29410.3		

TECHNICAL DRAWINGS / S 1 : 40

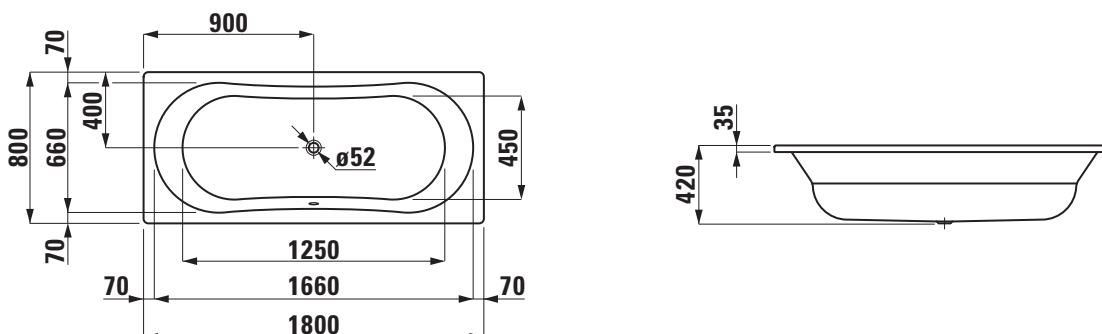




TECHNICAL DATA

Order no.	22509.3	Mounting acc. excl.	Metal feet, order no. 29617.2
Certified to	EN 14516 (EN 198), EN 232		Waste and overflow, chromed, order no. 29511.0
Dimensions	1800 x 800 mm		Combined water inlet and overflow, chromed order no. 29511.1
Depth	420 mm		Noise control band, order no. 29555.1
Use capacity	170 litre (total: 240 litre)		Styrofoam carrier PORESTA order no. 17.154.826, 17.720.737 or SCHEDEL order no. SW 80429
Specification	Bathtub made of 3,0 mm enamelled steel with holes for the mounting of handle Charge 000 – without antinoise pads Charge 040 – with antinoise pads (fulfil DIN 4109) Charge 041 – with antinoise pads (fulfil SIA 181 and DIN 4109)	Colours	000 – White 600 – White with Antislip
Weight	42,0 kg		
Accessories incl.	single chrome handle, order no. 29618.4 (separate packed)		
Accessories excl.	Gel Pillow, self adhesive, order no. 29410.3		

TECHNICAL DRAWINGS / S 1 : 40

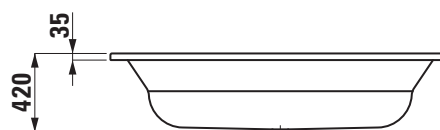
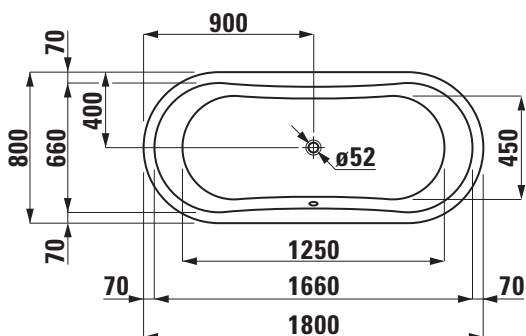




TECHNICAL DATA

Order no.	22508.0	Mounting acc. excl.	Metal feet, order no. 29617.2
Certified to	EN 14516 (EN 198), EN 232		Waste and overflow, chromed, order no. 29511.0
Dimensions	1800 x 800 mm		Combined water inlet and overflow, chromed order no. 29511.1
Depth	420 mm		Noise control band, order no. 29555.1
Use capacity	170 litre (total: 240 litre)		Styrofoam carrier PORESTA order no. 17.154.827, 17.720.736 or SCHEDEL order no. SW 80430
Specification	Bathtub made of 3,0 mm enamelled steel Charge 000 – without antinoise pads Charge 040 – with antinoise pads (fulfil DIN 4109) Charge 041 – with antinoise pads (fulfil SIA 181 and DIN 4109) Charge 044 – with antinoise pads and tap holes UK standard	Colours	000 – White 600 – White with Antislip
Weight	40,0 kg		
Accessories excl.	Gel Pillow, self adhesive, order no. 29410.3		

TECHNICAL DRAWINGS / S 1 : 40

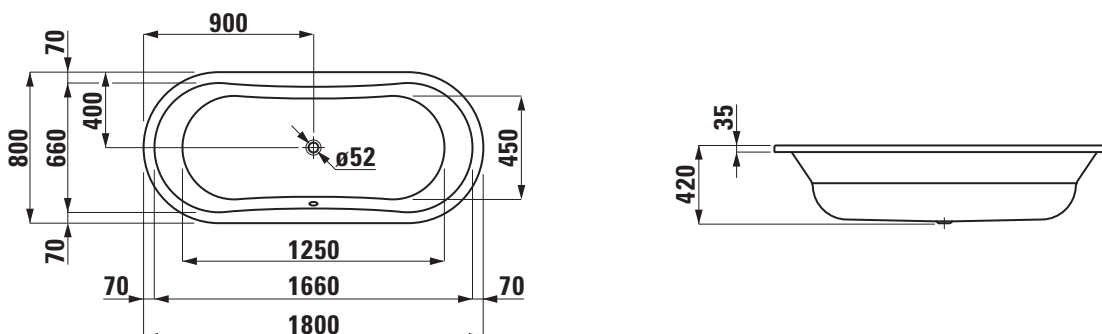




TECHNICAL DATA

Order no.	22508.3	Mounting acc. excl.	Metal feet, order no. 29617.2
Certified to	EN 14516 (EN 198), EN 232		Waste and overflow, chromed, order no. 29511.0
Dimensions	1800 x 800 mm		Combined water inlet and overflow, chromed order no. 29511.1
Depth	420 mm		Noise control band, order no. 29555.1
Use capacity	170 litre (total: 240 litre)		Styrofoam carrier PORESTA order no. 17.154.827, 17.720.736 or SCHEDEL order no. SW 80430
Specification	Bathtub made of 3,0 mm enamelled steel with holes for the mounting of handle Charge 000 – without antinoise pads Charge 040 – with antinoise pads (fulfil DIN 4109) Charge 041 – with antinoise pads (fulfil SIA 181 and DIN 4109) Charge 044 – with antinoise pads and tap holes UK standard	Colours	000 – White 600 – White with Antislip
Weight	40,0 kg		
Accessories incl.	single chrome handle, order no. 29618.4 (separate packed)		
Accessories excl.	Gel Pillow, self adhesive, order no. 29410.3		

TECHNICAL DRAWINGS / S 1 : 40



STEEL BATHTUBS

MODERNAPLUS

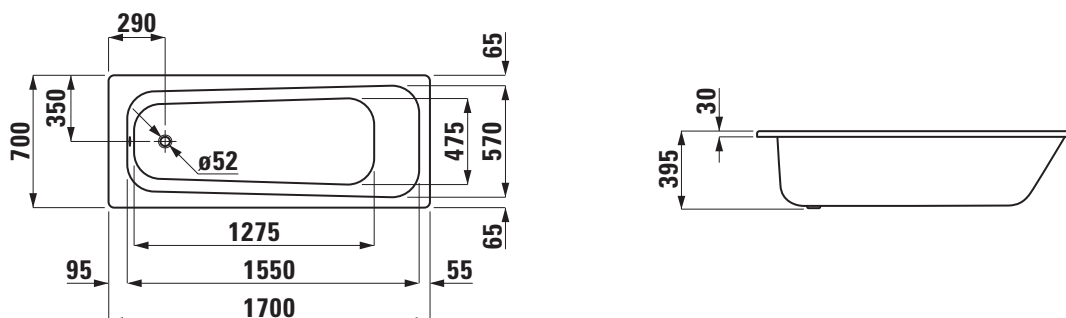
22512.0



TECHNICAL DATA

Order no.	22512.0	Mounting acc. excl.	Metal feet, order no. 29617.1
Certified to	EN 14516 (EN 198), EN 232		Waste and overflow, chromed, order no. 29511.0
Dimensions	1700 x 700 mm		Combined water inlet and overflow, chromed order no. 29511.1
Depth	395 mm		Noise control band, order no. 29555.1
Use capacity	107 litre (total: 177 litre)		Styrofoam carrier PORESTA order no. 17.029.412 or SCHEDEL order no. SW 87913
Specification	Bathtub made of 3,5 mm enamelled steel Charge 041 – with antinoise pads (fulfil SIA 181 and DIN 4109)	Colours	000 – White 600 – White with Antislip
Weight	48,0 kg		
Accessories excl.	Gel Pillow, self adhesive, order no. 29410.3		

TECHNICAL DRAWINGS / S 1 : 40



STEEL BATHTUBS

MODERNAPLUS

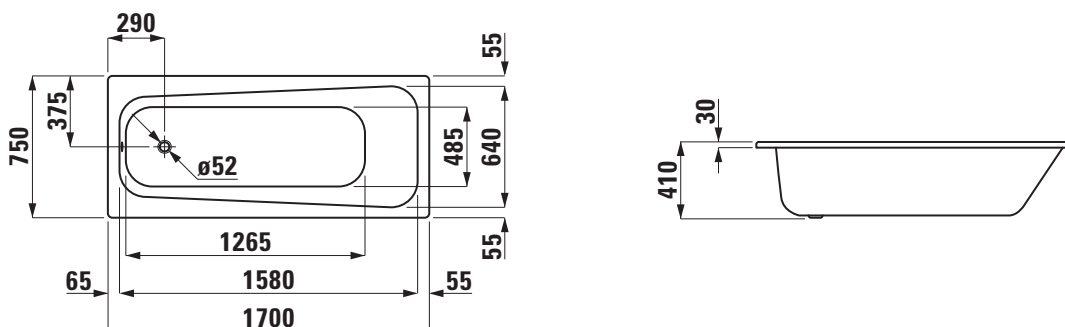
22513.0



TECHNICAL DATA

Order no.	22513.0	Mounting acc. excl.	Metal feet, order no. 29617.1
Certified to	EN 14516 (EN 198), EN 232		Waste and overflow, chromed, order no. 29511.0
Dimensions	1700 x 750 mm		Combined water inlet and overflow, chromed order no. 29511.1
Depth	410 mm		Noise control band, order no. 29555.1
Use capacity	124 litre (total: 194 litre)		Styrofoam carrier PORESTA order no. 17.029.662 or SCHEDEL order no. SW 10001
Specification	Bathtub made of 3,5 mm enamelled steel Charge 041 – with antinoise pads (fulfil SIA 181 and DIN 4109)	Colours	000 – White 600 – White with Antislip
Weight	49,0 kg		
Accessories excl.	Gel Pillow, self adhesive, order no. 29410.3		

TECHNICAL DRAWINGS / S 1 : 40



STEEL BATHTUBS

MODERNAPLUS

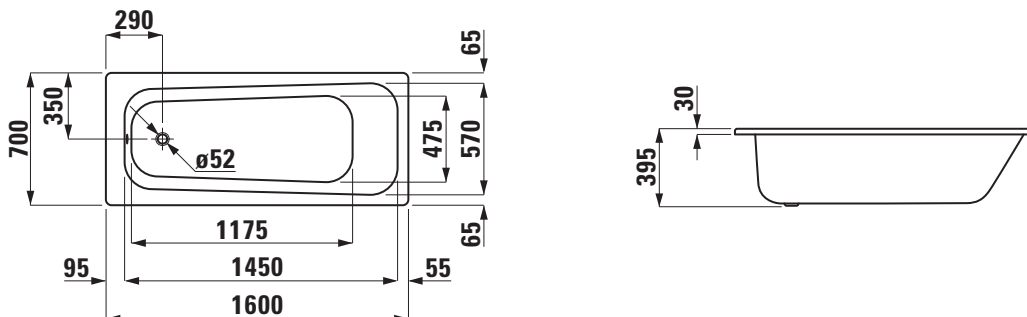
22514.0



TECHNICAL DATA

Order no.	22514.0	Mounting acc. excl.	Metal feet, order no. 29617.1
Certified to	EN 14516 (EN 198), EN 232		Waste and overflow, chromed, order no. 29511.0
Dimensions	1600 x 700 mm		Combined water inlet and overflow, chromed order no. 29511.1
Depth	395 mm		Noise control band, order no. 29555.1
Use capacity	92 litre (total: 162 litre)		Styrofoam carrier PORESTA order no. 17.029.425 or SCHEDEL order no. SW 87914
Specification	Bathtub made of 3,5 mm enamelled steel Charge 041 – with antinoise pads (fulfil SIA 181 and DIN 4109)	Colours	000 – White 600 – White with Antislip
Weight	41,0 kg		
Accessories excl.	Gel Pillow, self adhesive, order no. 29410.3		

TECHNICAL DRAWINGS / S 1 : 40

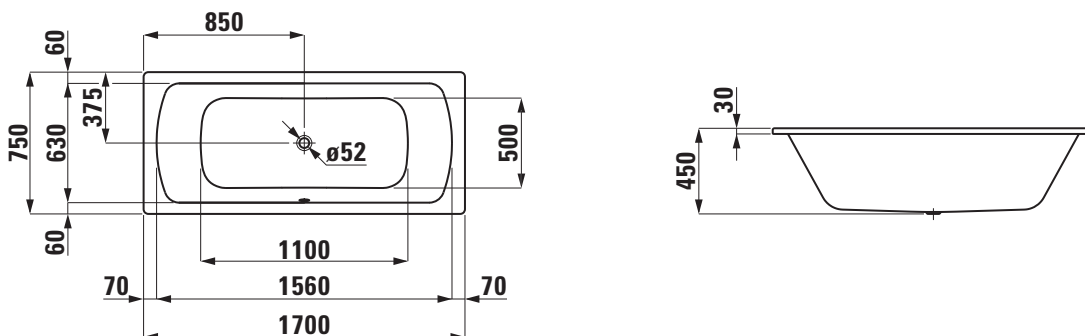




TECHNICAL DATA

Order no.	22507.0	Mounting acc. excl.	Metal feet, order no. 29617.1
Certified to	EN 14516 (EN 198), EN 232		Waste and overflow, chromed, order no. 29511.0
Dimensions	1700 x 750 mm		Combined water inlet and overflow, chromed order no. 29511.1
Depth	450 mm		Noise control band, order no. 29555.1
Use capacity	155 litre (total: 255 litre)		Styrofoam carrier PORESTA order no. 17.155.925
Specification	Bathtub made of 3,5 mm enamelled steel Charge 041 – with antinoise pads (fulfil SIA 181 and DIN 4109)	Colours	000 – White
Weight	30,0 kg		600 – White with Antislip
Accessories excl.	Gel Pillow, self adhesive, order no. 29410.3		

TECHNICAL DRAWINGS / S 1 : 40



STEEL BATHTUBS

MODERNAPLUS

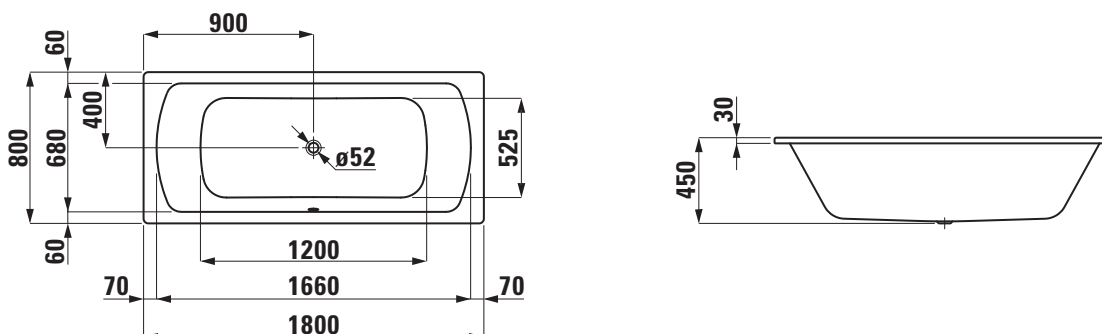
22506.0



TECHNICAL DATA

Order no.	22506.0	Mounting acc. excl.	Metal feet, order no. 29617.1
Certified to	EN 14516 (EN 198), EN 232		Waste and overflow, chromed, order no. 29511.0
Dimensions	1800 x 800 mm		Combined water inlet and overflow, chromed order no. 29511.1
Depth	450 mm		Noise control band, order no. 29555.1
Use capacity	194 litre (total: 264 litre)		Styrofoam carrier PORESTA order no. 17.156.925
Specification	Bathtub made of 3,5 mm enamelled steel Charge 041 – with antinoise pads (fulfil SIA 181 and DIN 4109)	Colours	000 – White 600 – White with Antislip
Weight	35,0 kg		
Accessories excl.	Gel Pillow, self adhesive, order no. 29410.3		

TECHNICAL DRAWINGS / S 1 : 40

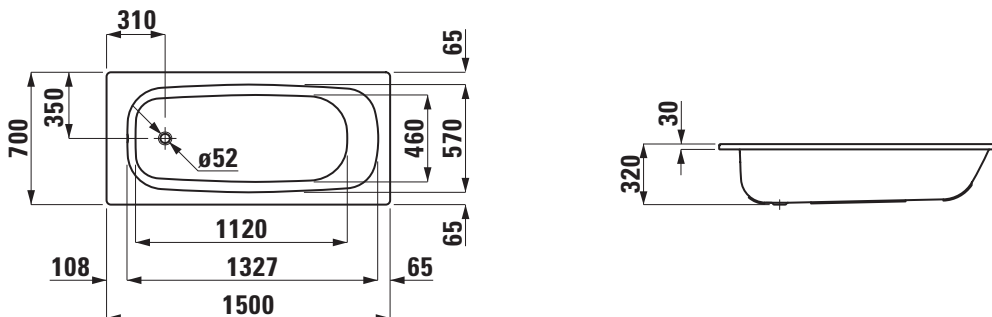




TECHNICAL DATA

Order no.	22095.0	Mounting acc. excl.	Metal feet, order no. 29617.2
Certified to	EN 14516 (EN 198), EN 232		Waste and overflow, chromed, order no. 29510.0
Dimensions	1500 x 700 mm		Combined water inlet and overflow, chromed order no. 29511.1
Depth	320 mm		Noise control band, order no. 29555.1
Use capacity	90 litre (total: 160 litre)	Colours	000 – White
Specification	Bathtub made of 3,0 mm enamelled steel Charge 000 – without antinoise pads Charge 040 – with antinoise pads (fulfil DIN 4109)		600 – White with Antislip
Weight	37,0 kg		
Accessories excl.	Gel Pillow, self adhesive, order no. 29410.3		

TECHNICAL DRAWINGS / S 1 : 40

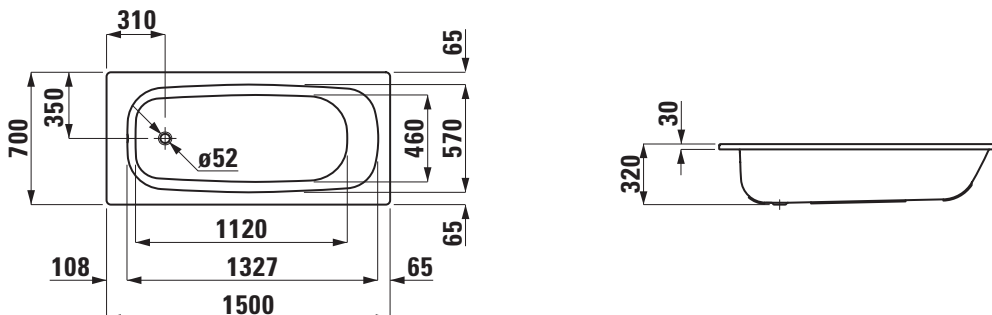




TECHNICAL DATA

Order no.	22095.3	Mounting acc. excl.	Metal feet, order no. 29617.2
Certified to	EN 14516 (EN 198), EN 232		Waste and overflow, chromed, order no. 29510.0
Dimensions	1500 x 700 mm		Combined water inlet and overflow, chromed order no. 29511.1
Depth	320 mm		Noise control band, order no. 29555.1
Use capacity	90 litre (total: 160 litre)	Colours	000 – White
Specification	Bathtub made of 3,0 mm enamelled steel with holes for the mounting of handles Charge 000 – without antinoise pads Charge 040 – with antinoise pads (fulfil DIN 4109)		600 – White with Antislip
Weight	37,0 kg		
Accessories excl.	Bathtub handles, chromed, 2 pieces, order no. 29410.2 Gel Pillow, self adhesive, order no. 29410.3		

TECHNICAL DRAWINGS / S 1 : 40



STEEL BATHTUBS

LAUFEN PRO

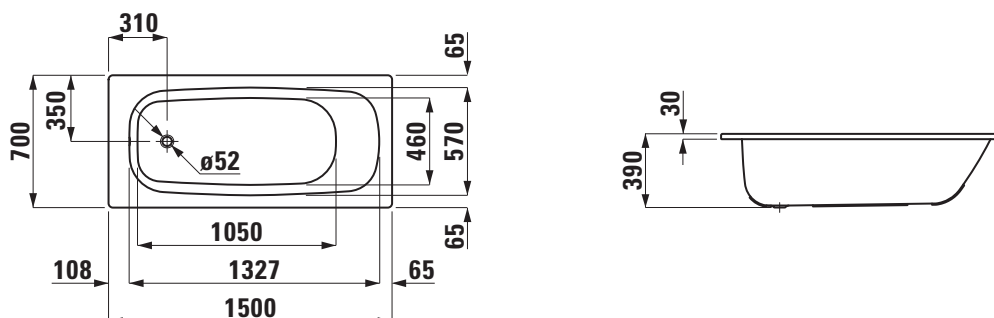
2195.0



TECHNICAL DATA

Order no.	2195.0	Mounting acc. excl.	Metal feet, order no. 29617.2
Certified to	EN 14516 (EN 198), EN 232		Waste and overflow, chromed, order no. 29510.0
Dimensions	1500 x 700 mm		Combined water inlet and overflow, chromed order no. 29511.1
Depth	390 mm		Noise control band, order no. 29555.1
Use capacity	145 litre (total: 205 litre)	Colours	000 – White
Specification	Bathtub made of 3,0 mm enamelled steel Charge 000 – without antinoise pads Charge 040 – with antinoise pads (fulfil DIN 4109)		600 – White with Antislip
Weight	37,0 kg		
Accessories excl.	Gel Pillow, self adhesive, order no. 29410.3		

TECHNICAL DRAWINGS / S 1 : 40

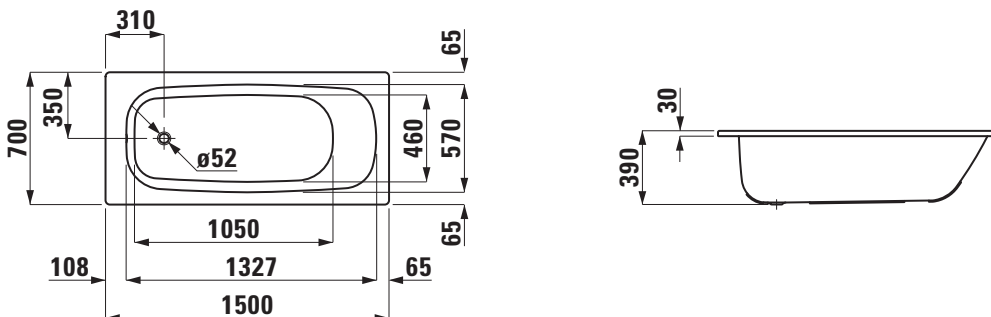




TECHNICAL DATA

Order no.	2195.3	Mounting acc. excl.	Metal feet, order no. 29617.2
Certified to	EN 14516 (EN 198), EN 232		Waste and overflow, chromed, order no. 29510.0
Dimensions	1500 x 700 mm		Combined water inlet and overflow, chromed order no. 29511.1
Depth	390 mm		Noise control band, order no. 29555.1
Use capacity	145 litre (total: 205 litre)	Colours	000 – White
Specification	Bathtub made of 3,0 mm enamelled steel with holes for the mounting of handles Charge 000 – without antinoise pads Charge 040 – with antinoise pads (fulfil DIN 4109)		600 – White with Antislip
Weight	37,0 kg		
Accessories excl.	Bathtub handles, chromed, 2 pieces, order no. 29410.2 Gel Pillow, self adhesive, order no. 29410.3		

TECHNICAL DRAWINGS / S 1 : 40



STEEL BATHTUBS

LAUFEN PRO

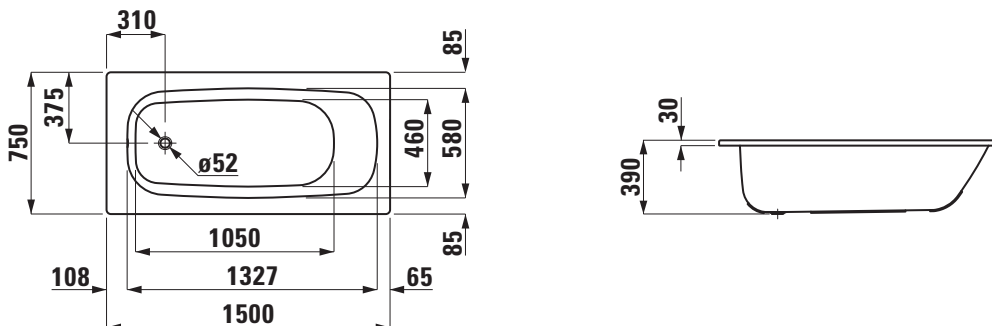
22295.0



TECHNICAL DATA

Order no.	22295.0	Mounting acc. excl.	Metal feet, order no. 29617.2
Certified to	EN 14516 (EN 198), EN 232		Waste and overflow, chromed, order no. 29510.0
Dimensions	1500 x 750 mm		Combined water inlet and overflow, chromed order no. 29511.1
Depth	390 mm		Noise control band, order no. 29555.1
Use capacity	145 litre (total: 205 litre)	Colours	000 – White
Specification	Bathtub made of 3,0 mm enamelled steel Charge 000 – without antinoise pads Charge 040 – with antinoise pads (fulfil DIN 4109)		600 – White with Antislip
Weight	38,0 kg		
Accessories excl.	Gel Pillow, self adhesive, order no. 29410.3		

TECHNICAL DRAWINGS / S 1 : 40

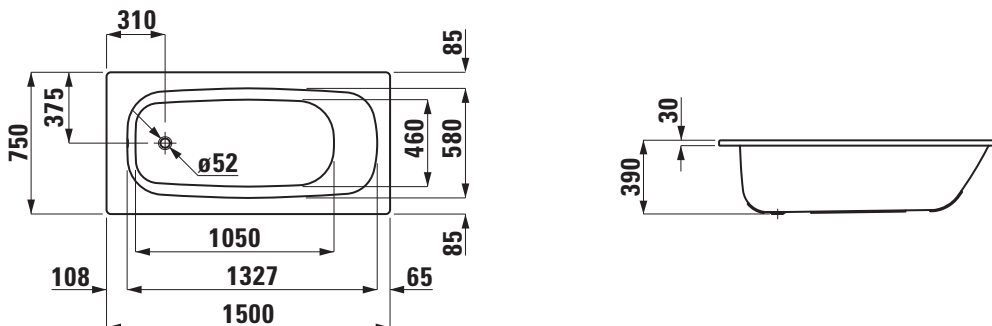




TECHNICAL DATA

Order no.	22295.3	Mounting acc. excl.	Metal feet, order no. 29617.2
Certified to	EN 14516 (EN 198), EN 232		Waste and overflow, chromed, order no. 29510.0
Dimensions	1500 x 750 mm		Combined water inlet and overflow, chromed order no. 29511.1
Depth	390 mm		Noise control band, order no. 29555.1
Use capacity	145 litre (total: 205 litre)	Colours	000 – White
Specification	Bathtub made of 3,0 mm enamelled steel with holes for the mounting of handles Charge 000 – without antinoise pads Charge 040 – with antinoise pads (fulfil DIN 4109)		600 – White with Antislip
Weight	38,0 kg		
Accessories excl.	Bathtub handles, chromed, 2 pieces, order no. 29410.2 Gel Pillow, self adhesive, order no. 29410.3		

TECHNICAL DRAWINGS / S 1 : 40



STEEL BATHTUBS

LAUFEN PRO

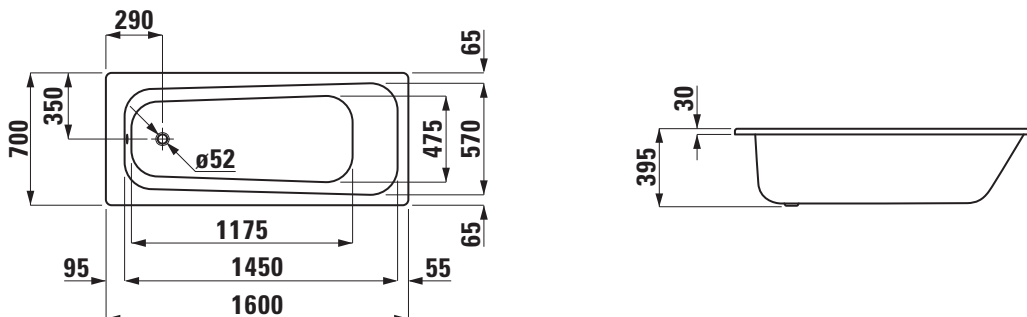
22395.0



TECHNICAL DATA

Order no.	22395.0	Mounting acc. excl.	Metal feet, order no. 29617.2
Certified to	EN 14516 (EN 198), EN 232		Waste and overflow, chromed, order no. 29511.0
Dimensions	1600 x 700 mm		Combined water inlet and overflow, chromed order no. 29511.1
Depth	395 mm		Noise control band, order no. 29555.1
Use capacity	92 litre (total: 162 litre)		Styrofoam carrier PORESTA order no. 17.029.425 or SCHEDEL order no. SW 87914
Specification	Bathtub made of 3,5 mm enamelled steel Charge 000 – without antinoise pads Charge 040 – with antinoise pads (fulfil DIN 4109)		Recommended faucets: One-hole bath single-lever mixer, complete, for base 37098.5.004.300.1, order no. 32154.1.004.146.1 Mounting set for one-hole bath single-lever mixer 32154.1.004.146.1, order no. 37098.5.004.300.1
Weight	41,0 kg	Colours	000 – White 600 – White with Antislip
Accessories excl.	Gel Pillow, self adhesive, order no. 29410.3		

TECHNICAL DRAWINGS / S 1 : 40



STEEL BATHTUBS

LAUFEN PRO

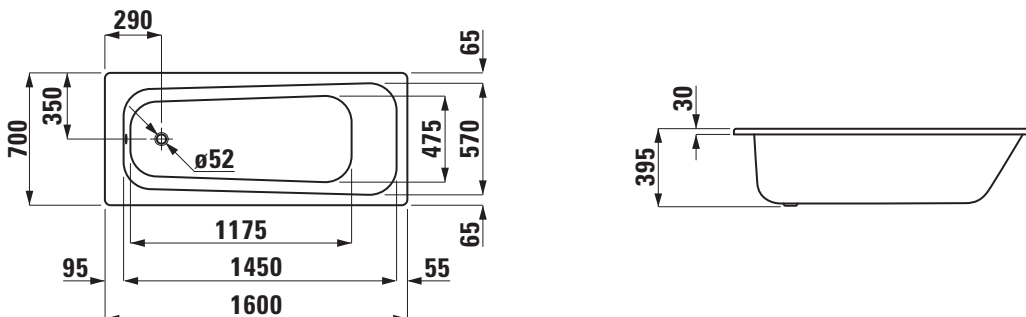
22395.3



TECHNICAL DATA

Order no.	22395.3	Mounting acc. excl.	Metal feet, order no. 29617.2
Certified to	EN 14516 (EN 198), EN 232		Waste and overflow, chromed, order no. 29511.0
Dimensions	1600 x 700 mm		Combined water inlet and overflow, chromed order no. 29511.1
Depth	395 mm		Noise control band, order no. 29555.1
Use capacity	92 litre (total: 162 litre)		Styrofoam carrier PORESTA order no. 17.029.425 or SCHEDEL order no. SW 87914
Specification	Bathtub made of 3,5 mm enamelled steel with holes for the mounting of handles Charge 000 – without antinoise pads Charge 040 – with antinoise pads (fulfil DIN 4109)		Recommended faucets: One-hole bath single-lever mixer, complete, for base 37098.5.004.300.1, order no. 32154.1.004.146.1
Weight	41,0 kg		Mounting set for one-hole bath single-lever mixer 32154.1.004.146.1, order no. 37098.5.004.300.1
Accessories excl.	Bathtub handles, chromed, 2 pieces, order no. 29618.2 Gel Pillow, self adhesive, order no. 29410.3	Colours	000 – White 600 – White with Antislip

TECHNICAL DRAWINGS / S 1 : 40



STEEL BATHTUBS

LAUFEN PRO

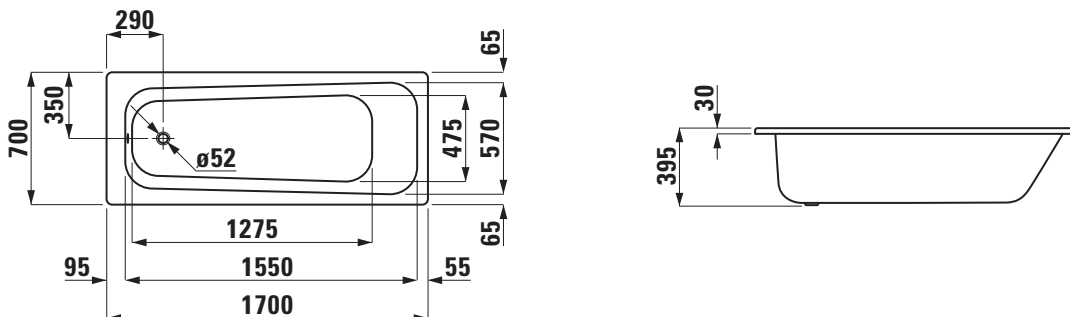
2495.0



TECHNICAL DATA

Order no.	22495.0	Mounting acc. excl.	Metal feet, order no. 29617.2
Certified to	EN 14516 (EN 198), EN 232		Waste and overflow, chromed, order no. 29511.0
Dimensions	1700 x 700 mm		Combined water inlet and overflow, chromed order no. 29511.1
Depth	395 mm		Noise control band, order no. 29555.1
Use capacity	107 litre (total: 177 litre)		Styrofoam carrier PORESTA order no. 17.029.412 or SCHEDEL order no. SW 87913
Specification	Bathtub made of 3,5 mm enamelled steel Charge 000 – without antinoise pads Charge 040 – with antinoise pads (fulfil DIN 4109)		Recommended faucets: One-hole bath single-lever mixer, complete, for base 37098.5.004.300.1, order no. 32154.1.004.146.1 Mounting set for one-hole bath single-lever mixer 32154.1.004.146.1, order no. 37098.5.004.300.1
Weight	48,0 kg	Colours	000 – White 600 – White with Antislip
Accessories excl.	Gel Pillow, self adhesive, order no. 29410.3		

TECHNICAL DRAWINGS / S 1 : 40



STEEL BATHTUBS

LAUFEN PRO

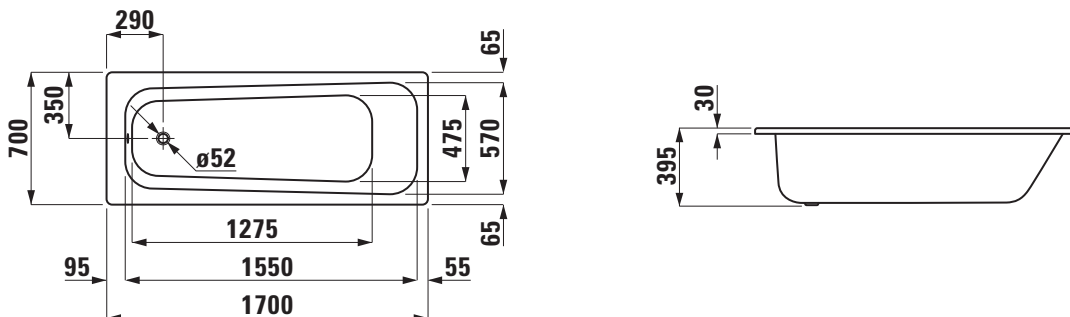
2495.3



TECHNICAL DATA

Order no.	2495.3	Mounting acc. excl.	Metal feet, order no. 29617.2
Certified to	EN 14516 (EN 198), EN 232		Waste and overflow, chromed, order no. 29511.0
Dimensions	1700 x 700 mm		Combined water inlet and overflow, chromed order no. 29511.1
Depth	395 mm		Noise control band, order no. 29555.1
Use capacity	107 litre (total: 177 litre)		Styrofoam carrier PORESTA order no. 17.029.412 or SCHEDEL order no. SW 87913
Specification	Bathtub made of 3,5 mm enamelled steel with holes for the mounting of handles Charge 000 – without antinoise pads Charge 040 – with antinoise pads (fulfil DIN 4109)		Recommended faucets: One-hole bath single-lever mixer, complete, for base 37098.5.004.300.1, order no. 32154.1.004.146.1
Weight	48,0 kg		Mounting set for one-hole bath single-lever mixer 32154.1.004.146.1, order no. 37098.5.004.300.1
Accessories excl.	Bathtub handles, chromed, 2 pieces, order no. 29618.2 Gel Pillow, self adhesive, order no. 29410.3	Colours	000 – White 600 – White with Antislip

TECHNICAL DRAWINGS / S 1 : 40



STEEL BATHTUBS

LAUFEN PRO

22595.0

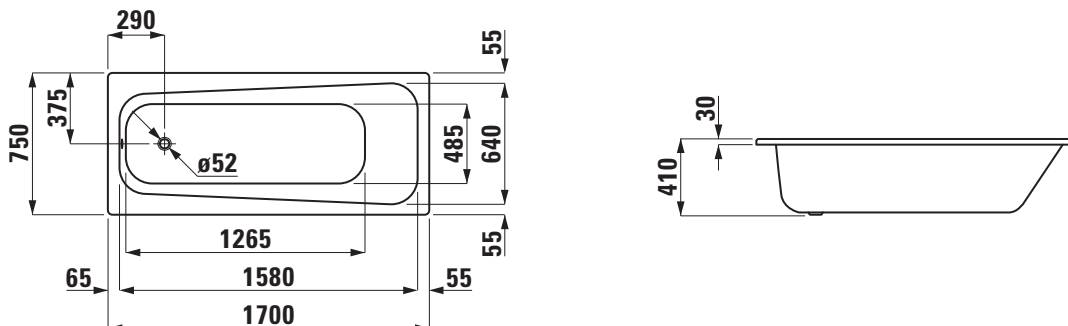


TECHNICAL DATA

Order no.	22595.0
Certified to	EN 14516 (EN 198), EN 232
Dimensions	1700 x 750 mm
Depth	410 mm
Use capacity	124 litre (total: 194 litre)
Specification	Bathtub made of 3,5 mm enamelled steel Charge 000 – without antinoise pads Charge 040 – with antinoise pads (fulfil DIN 4109)
Weight	49,0 kg
Accessories excl.	Gel Pillow, self adhesive, order no. 29410.3

Mounting acc. excl.	Metal feet, order no. 29617.2 Waste and overflow, chromed, order no. 29511.0 Combined water inlet and overflow, chromed order no. 29511.1 Noise control band, order no. 29555.1 Styrofoam carrier PORESTA order no. 17.029.662 or SCHEDEL order no. SW 10001 Recommended faucets: One-hole bath single-lever mixer, complete, for base 37098.5.004.300.1, order no. 32154.1.004.146.1 Mounting set for one-hole bath single-lever mixer 32154.1.004.146.1, order no. 37098.5.004.300.1
Colours	000 – White 600 – White with Antislip

TECHNICAL DRAWINGS / S 1 : 40



STEEL BATHTUBS

LAUFEN PRO

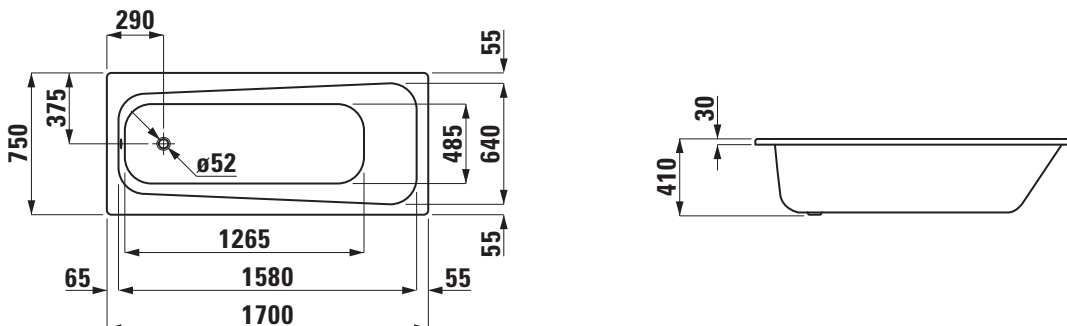
22595.3



TECHNICAL DATA

Order no.	22595.3	Mounting acc. excl.	Metal feet, order no. 29617.2
Certified to	EN 14516 (EN 198), EN 232		Waste and overflow, chromed, order no. 29511.0
Dimensions	1700 x 750 mm		Combined water inlet and overflow, chromed order no. 29511.1
Depth	410 mm		Noise control band, order no. 29555.1
Use capacity	124 litre (total: 194 litre)		Styrofoam carrier PORESTA order no. 17.029.662 or SCHEDEL order no. SW 10001
Specification	Bathtub made of 3,5 mm enamelled steel with holes for the mounting of handles Charge 000 – without antinoise pads Charge 040 – with antinoise pads (fulfil DIN 4109)		Recommended faucets: One-hole bath single-lever mixer, complete, for base 37098.5.004.300.1, order no. 32154.1.004.146.1 Mounting set for one-hole bath single-lever mixer 32154.1.004.146.1, order no. 37098.5.004.300.1
Weight	49,0 kg		
Accessories excl.	Bathtub handles, chromed, 2 pieces, order no. 29618.1 Gel Pillow, self adhesive, order no. 29410.3	Colours	000 – White 600 – White with Antislip

TECHNICAL DRAWINGS / S 1 : 40



STEEL BATHTUBS

LAUFEN PRO

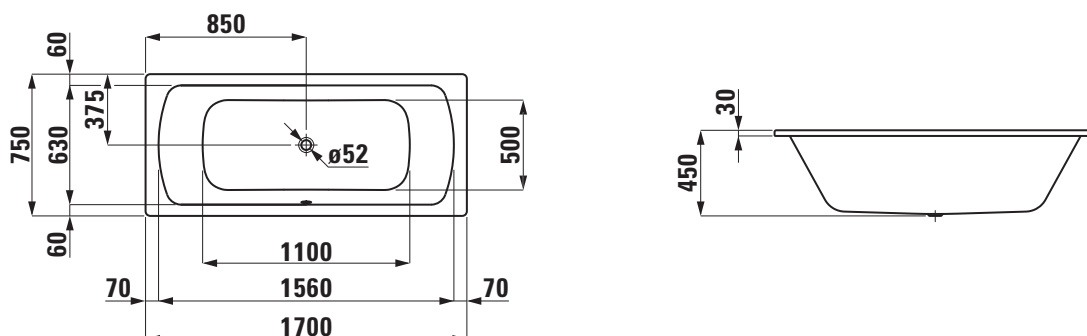
22695.0



TECHNICAL DATA

Order no.	22695.0	Mounting acc. excl.	Metal feet, order no. 29617.1
Certified to	EN 14516 (EN 198), EN 232		Waste and overflow, chromed, order no. 29511.0
Dimensions	1700 x 750 mm		Combined water inlet and overflow, chromed order no. 29511.1
Depth	450 mm		Noise control band, order no. 29555.1
Use capacity	155 litre (total: 225 litre)	Colours	000 – White
Specification	Bathtub made of 3,5 mm enamelled steel Charge 000 – without antinoise pads Charge 040 – with antinoise pads (fulfil DIN 4109)		600 – White with Antislip
Weight	30,0 kg		
Accessories excl.	Gel Pillow, self adhesive, order no. 29410.3		

TECHNICAL DRAWINGS / S 1 : 40

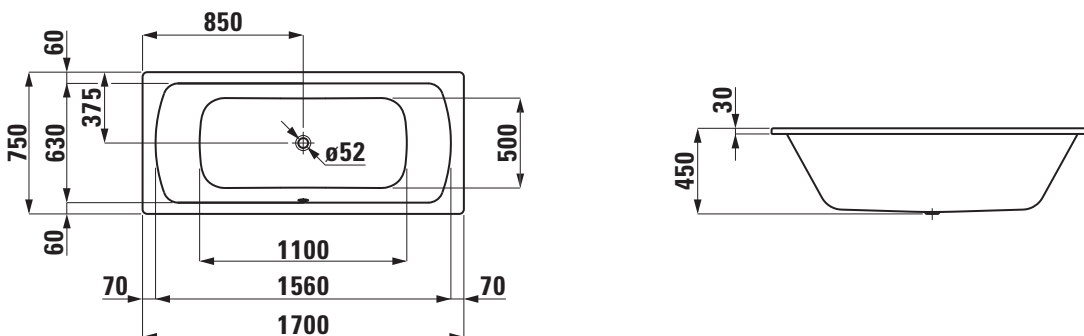




TECHNICAL DATA

Order no.	22695.2	Mounting acc. excl.	Metal feet, order no. 29617.1
Certified to	EN 14516 (EN 198), EN 232		Waste and overflow, chromed, order no. 29511.0
Dimensions	1700 x 750 mm		Combined water inlet and overflow, chromed order no. 29511.1
Depth	450 mm		Noise control band, order no. 29555.1
Use capacity	155 litre (total: 225 litre)	Colours	000 – White
Specification	Bathtub made of 3,5 mm enamelled steel with holes for the mounting of handle Charge 000 – without antinoise pads Charge 040 – with antinoise pads (fulfil DIN 4109)		600 – White with Antislip
Weight	30,0 kg		
Accessories excl.	Bathtub handle, chromed, 1 piece, order no. 29618.5 Gel Pillow, self adhesive, order no. 29410.3		

TECHNICAL DRAWINGS / S 1 : 40



STEEL BATHTUBS

LAUFEN PRO

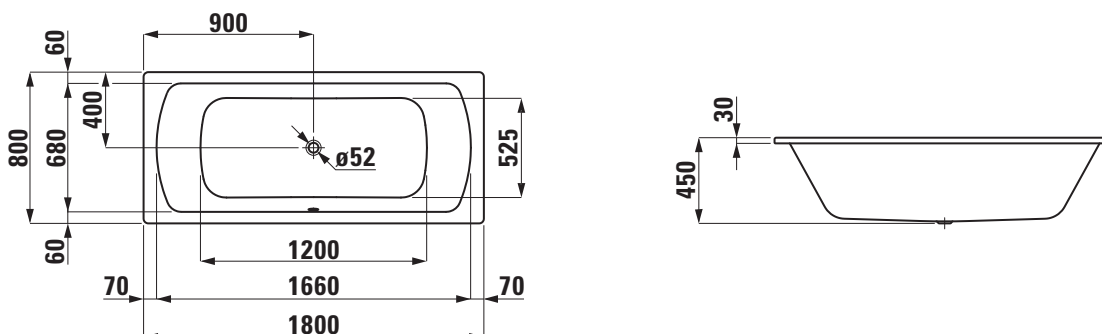
22795.0

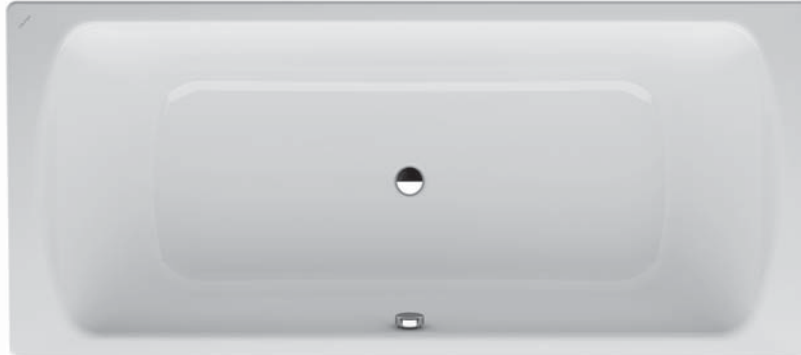


TECHNICAL DATA

Order no.	22795.0	Mounting acc. excl.	Metal feet, order no. 29617.1
Certified to	EN 14516 (EN 198), EN 232		Waste and overflow, chromed, order no. 29511.0
Dimensions	1800 x 800 mm		Combined water inlet and overflow, chromed order no. 29511.1
Depth	450 mm		Noise control band, order no. 29555.1
Use capacity	194 litre (total: 264 litre)	Colours	000 – White
Specification	Bathtub made of 3,5 mm enamelled steel Charge 000 – without antinoise pads Charge 040 – with antinoise pads (fulfil DIN 4109)		600 – White with Antislip
Weight	35,0 kg		
Accessories excl.	Gel Pillow, self adhesive, order no. 29410.3		

TECHNICAL DRAWINGS / S 1 : 40

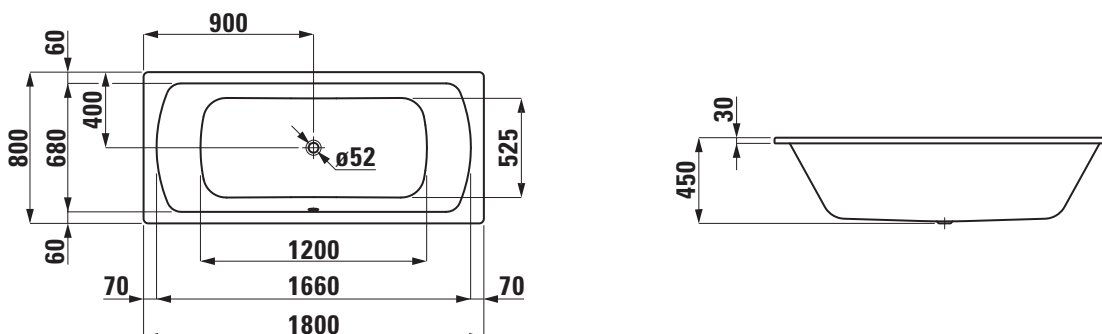




TECHNICAL DATA

Order no.	22795.2	Mounting acc. excl.	Metal feet, order no. 29617.1
Certified to	EN 14516 (EN 198), EN 232		Waste and overflow, chromed, order no. 29511.0
Dimensions	1800 x 800 mm		Combined water inlet and overflow, chromed order no. 29511.1
Depth	450 mm		Noise control band, order no. 29555.1
Use capacity	194 litre (total: 264 litre)	Colours	000 – White
Specification	Bathtub made of 3,5 mm enamelled steel with holes for the mounting of handle Charge 000 – without antinoise pads Charge 040 – with antinoise pads (fulfil DIN 4109)		600 – White with Antislip
Weight	35,0 kg		
Accessories excl.	Bathtub handle, chromed, 1 piece, order no. 29618.5 Gel Pillow, self adhesive, order no. 29410.3		

TECHNICAL DRAWINGS / S 1 : 40



STEEL SHOWER TRAYS

STEEL SHOWER TRAYS

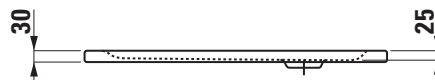
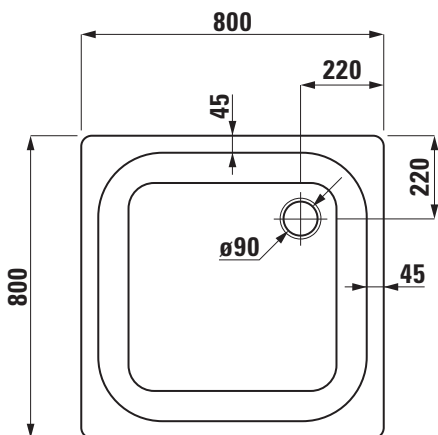
PLATINA square 21500.1



TECHNICAL DATA

Order no.	21500.1	Mounting acc. excl.	Feet for shower tray
Certified to	EN 14527 (EN 249), EN 251		87-115 mm, order no. 29555.5
Dimensions	800 x 800 mm		125-185 mm, order no. 29555.2
Depth	25 mm		Waste and overflow, chromed, order no. 29511.9
Specification	Square shower tray made of 3,5 mm enamelled steel		Noise control band, order no. 29555.1
	Charge 000 – without antinoise pads		Styrofoam carrier PORESTA order no. 17.038.623 or SCHEDEL order no. SD 90319
	Charge 040 – with antinoise pads (fulfil DIN 4109)	Colours	000 – White
	Charge 041 – with antinoise pads (fulfil SIA 181 and DIN 4109)		600 – White with Antislip
Weight	17,0 kg		

TECHNICAL DRAWINGS / S 1 : 20



STEEL SHOWER TRAYS

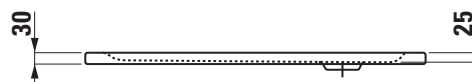
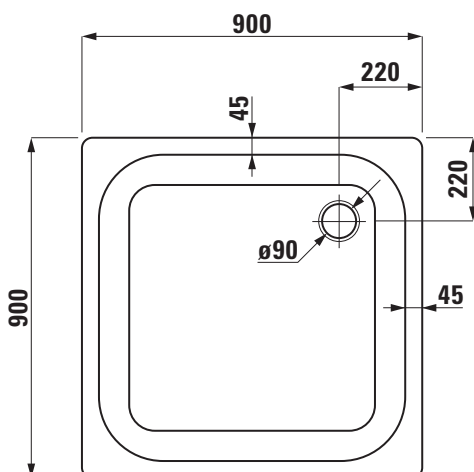
PLATINA square 21500.2



TECHNICAL DATA

Order no.	21500.2	Mounting acc. excl.	Feet for shower tray
Certified to	EN 14527 (EN 249), EN 251		87-115 mm, order no. 29555.5
Dimensions	900 x 900 mm		125-185 mm, order no. 29555.2
Depth	25 mm		Waste and overflow, chromed, order no. 29511.9
Specification	Square shower tray made of 3,5 mm enamelled steel		Noise control band, order no. 29555.1
	Charge 000 – without antinoise pads		Styrofoam carrier PORESTA order no. 17.038.633 or SCHEDEL order no. SD 90320
	Charge 040 – with antinoise pads (fulfil DIN 4109)	Colours	000 – White
	Charge 041 – with antinoise pads (fulfil SIA 181 and DIN 4109)		600 – White with Antislip
Weight	20,0 kg		

TECHNICAL DRAWINGS / S 1 : 20



STEEL SHOWER TRAYS

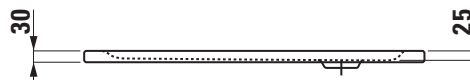
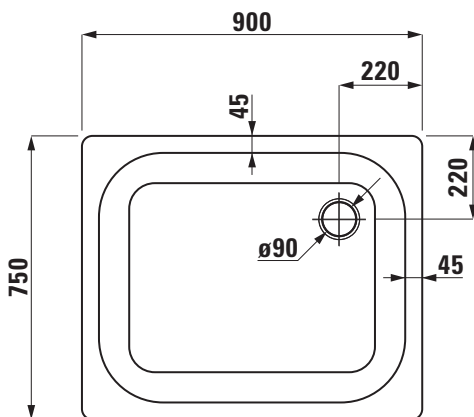
PLATINA rectangular 21500.3



TECHNICAL DATA

Order no.	21500.3	Mounting acc. excl.	Feet for shower tray
Certified to	EN 14527 (EN 249), EN 251		87-115 mm, order no. 29555.5
Dimensions	900 x 750 mm		125-185 mm, order no. 29555.2
Depth	25 mm		Waste and overflow, chromed, order no. 29511.9
Specification	Rectangular shower tray made of 3,5 mm enamelled steel Charge 000 – without antinoise pads Charge 040 – with antinoise pads (fulfil DIN 4109) Charge 041 – with antinoise pads (fulfil SIA 181 and DIN 4109)		Noise control band, order no. 29555.1 Styrofoam carrier PORESTA order no. 17.038.634 or SCHEDEL order no. SD 90321
Weight	18,0 kg	Colours	000 – White 600 – White with Antislip

TECHNICAL DRAWINGS / S 1 : 20



STEEL SHOWER TRAYS

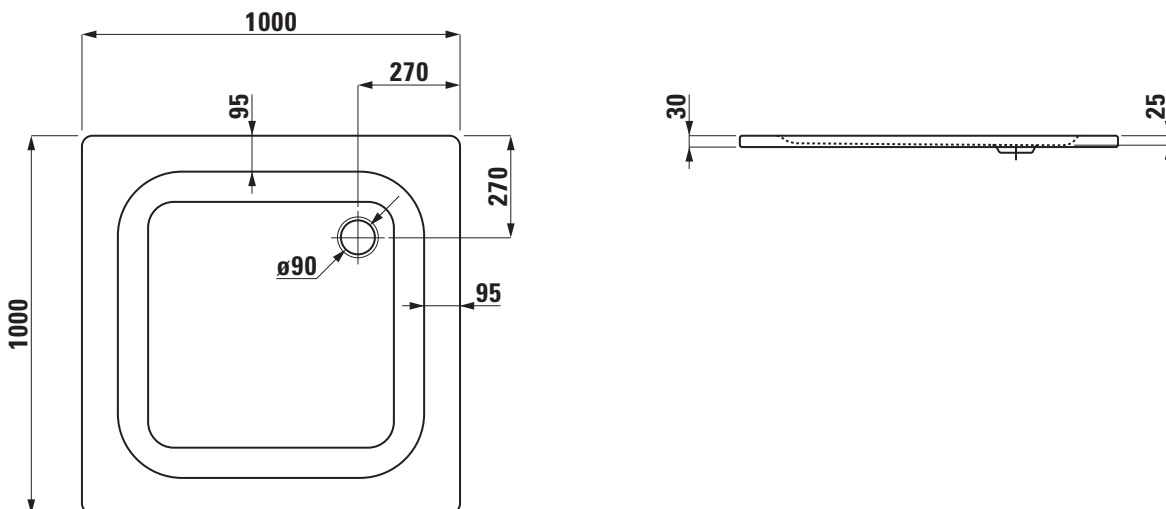
PLATINA square 21500.4



TECHNICAL DATA

Order no.	21500.4	Mounting acc. excl.	Feet for shower tray
Certified to	EN 14527 (EN 249), EN 251		87-115 mm, order no. 29555.6
Dimensions	1000 x 1000 mm		100-135 mm, order no. 29555.3
Depth	25 mm		Waste and overflow, chromed, order no. 29511.9
Specification	Square shower tray made of 3,5 mm enamelled steel		Noise control band, order no. 29555.1
	Charge 000 – without antinoise pads		Fixing foam for styrofoam carrier, order no. 29598.8
	Charge 040 – with antinoise pads (fulfil DIN 4109)	Colours	000 – White
	Charge 041 – with antinoise pads (fulfil SIA 181 and DIN 4109)		600 – White with Antislip
Weight	22,0 kg		

TECHNICAL DRAWINGS / S 1 : 20



STEEL SHOWER TRAYS

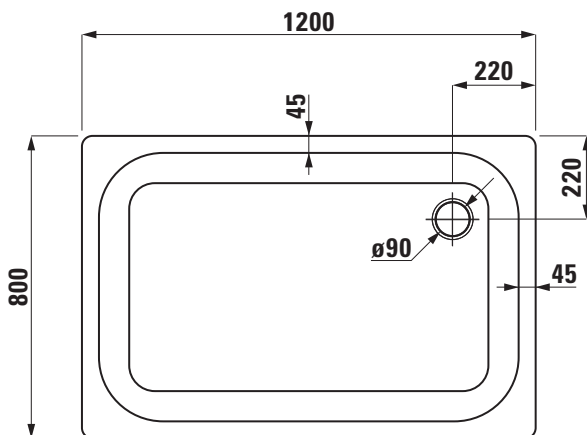
PLATINA rectangular 21500.5



TECHNICAL DATA

Order no.	21500.5	Mounting acc. excl.	2x Feet for shower tray 87-115 mm, order no. 29555.5
Certified to	EN 14527 (EN 249), EN 251		Waste and overflow, chromed, order no. 29511.9
Dimensions	1200 x 800 mm		Noise control band, order no. 29555.1
Depth	25 mm		Fixing foam for styrofoam carrier, order no. 29598.8
Specification	Rectangular shower tray made of 3,5 mm enamelled steel Charge 000 – without antinoise pads Charge 040 – with antinoise pads (fulfil DIN 4109) Charge 041 – with antinoise pads (fulfil SIA 181 and DIN 4109)	Colours	000 – White 600 – White with Antislip
Weight	25,0 kg		

TECHNICAL DRAWINGS / S 1 : 20



STEEL SHOWER TRAYS

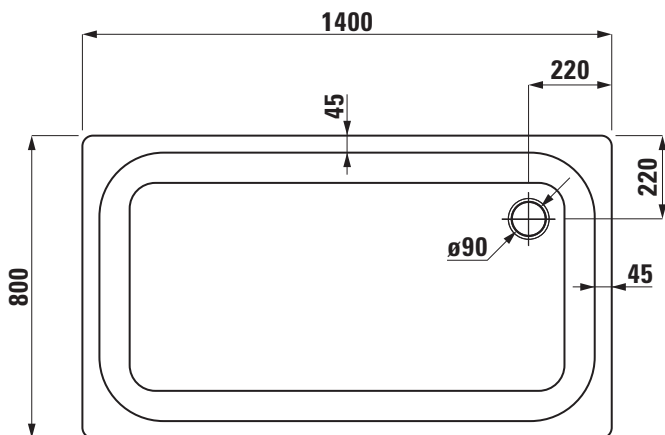
PLATINA rectangular 21500.6



TECHNICAL DATA

Order no.	21500.6	Mounting acc. excl.	2x Feet for shower tray 87-115 mm, order no. 29555.5
Certified to	EN 14527 (EN 249), EN 251		Waste and overflow, chromed, order no. 29511.9
Dimensions	1400 x 800 mm		Noise control band, order no. 29555.1
Depth	25 mm		Fixing foam for styrofoam carrier, order no. 29598.8
Specification	Rectangular shower tray made of 3,5 mm enamelled steel Charge 000 – without antinoise pads Charge 040 – with antinoise pads (fulfil DIN 4109) Charge 041 – with antinoise pads (fulfil SIA 181 and DIN 4109)	Colours	000 – White 600 – White with Antislip
Weight	29,0 kg		

TECHNICAL DRAWINGS / S 1 : 20



STEEL SHOWER TRAYS

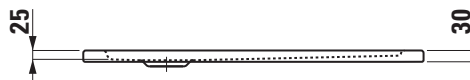
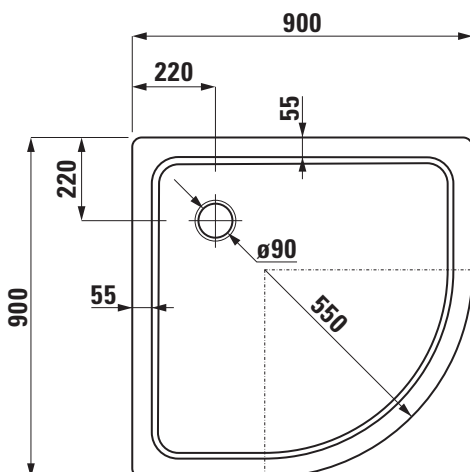
PLATINA corner 21500.8



TECHNICAL DATA

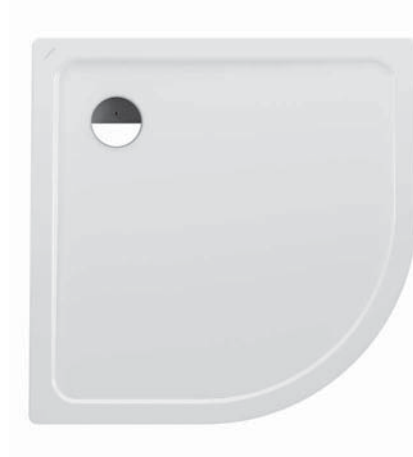
Order no.	21500.8	Mounting acc. excl.	Feet for shower tray
Certified to	EN 14527 (EN 249), EN 251		87-115 mm, order no. 29555.6
Dimensions	900 x 900 mm		100-135 mm, order no. 29555.3
Depth	25 mm		Waste and overflow, chromed, order no. 29511.9
Specification	Corner shower tray made of 3,5 mm enamelled steel		Noise control band, order no. 29555.1
	Charge 000 – without antinoise pads		Floor even solution – Styrofoam carrier with integrated, construction height 150 mm, possible to level due to 3 styrofoam layers 10 (10, 20, 60 mm) always important to consider the siphon height, order no. 29598.4
	Charge 040 – with antinoise pads (fulfil DIN 4109)		Fixing foam for styrofoam carrier, order no. 29598.8
	Charge 041 – with antinoise pads (fulfil SIA 181 and DIN 4109)		
Weight	19,0 kg	Colours	000 – White
			600 – White with Antislip

TECHNICAL DRAWINGS / S 1 : 20



STEEL SHOWER TRAYS

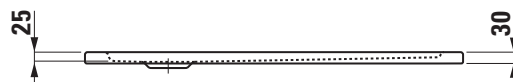
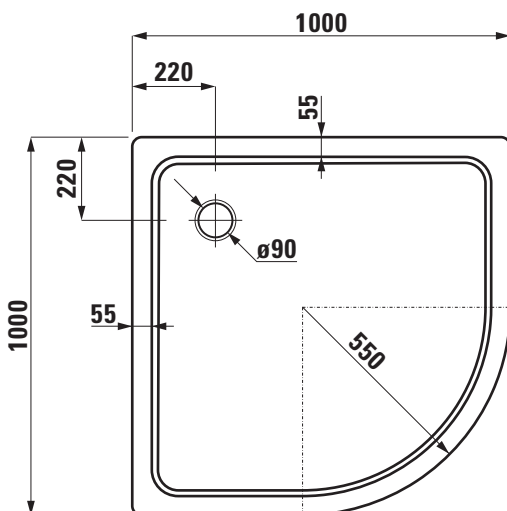
PLATINA corner 21500.9



TECHNICAL DATA

Order no.	21500.9	Mounting acc. excl.	Feet for shower tray
Certified to	EN 14527 (EN 249), EN 251		87-115 mm, order no. 29555.6
Dimensions	1000 x 1000 mm		100-135 mm, order no. 29555.3
Depth	25 mm		Waste and overflow, chromed, order no. 29511.9
Specification	Corner shower tray made of 3,5 mm enameled steel Charge 000 – without antinoise pads Charge 040 – with antinoise pads (fulfil DIN 4109) Charge 041 – with antinoise pads (fulfil SIA 181 and DIN 4109)		Noise control band, order no. 29555.1 Fixing foam for styrofoam carrier, order no. 29598.8
Weight	23,5 kg	Colours	000 – White 600 – White with Antislip

TECHNICAL DRAWINGS / S 1 : 20



STEEL SHOWER TRAYS

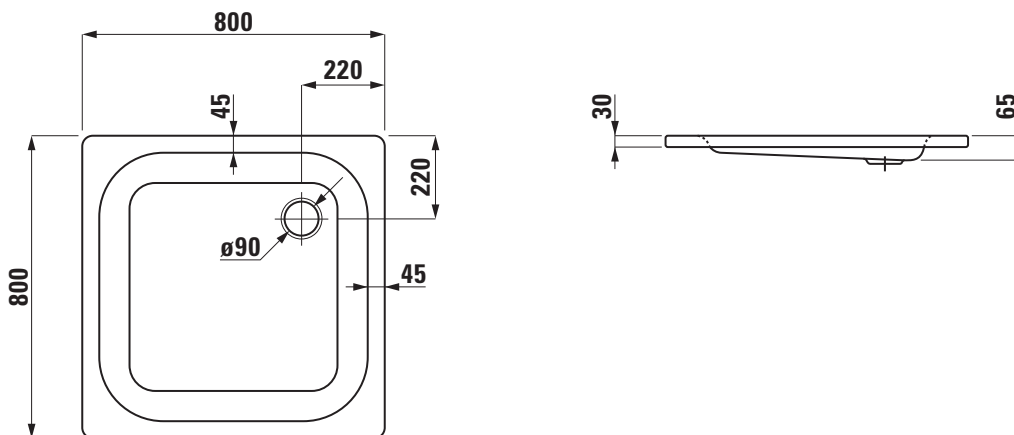
PLATINA square 21501.1



TECHNICAL DATA

Order no.	21501.1	Mounting acc. excl.	Feet for shower tray
Certified to	EN 14527 (EN 249), EN 251		87-115 mm, order no. 29555.5
Dimensions	800 x 800 mm		125-185 mm, order no. 29555.2
Depth	65 mm		Waste and overflow, chromed, order no. 29511.9
Specification	Square shower tray made of 3,5 mm enamelled steel		Noise control band, order no. 29555.1
	Charge 000 – without antinoise pads		Styrofoam carrier PORESTA order no. 17.032.630 or SCHEDEL order no. SD 90315
	Charge 040 – with antinoise pads (fulfil DIN 4109)	Colours	000 – White
	Charge 041 – with antinoise pads (fulfil SIA 181 and DIN 4109)		600 – White with Antislip
Weight	18,0 kg		

TECHNICAL DRAWINGS / S 1 : 20



STEEL SHOWER TRAYS

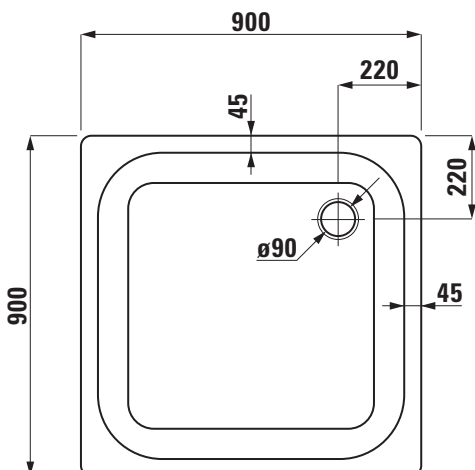
PLATINA square 21501.2



TECHNICAL DATA

Order no.	21501.2	Mounting acc. excl.	Feet for shower tray
Certified to	EN 14527 (EN 249), EN 251		87-115 mm, order no. 29555.5
Dimensions	900 x 900 mm		125-185 mm, order no. 29555.2
Depth	65 mm		Waste and overflow, chromed, order no. 29511.9
Specification	Square shower tray made of 3,5 mm enamelled steel		Noise control band, order no. 29555.1
	Charge 000 – without antinoise pads		Styrofoam carrier PORESTA order no. 17.032.628 or SCHEDEL order no. SD 90316
	Charge 040 – with antinoise pads (fulfil DIN 4109)	Colours	000 – White
	Charge 041 – with antinoise pads (fulfil SIA 181 and DIN 4109)		600 – White with Antislip
Weight	22,5 kg		

TECHNICAL DRAWINGS / S 1 : 20



STEEL SHOWER TRAYS

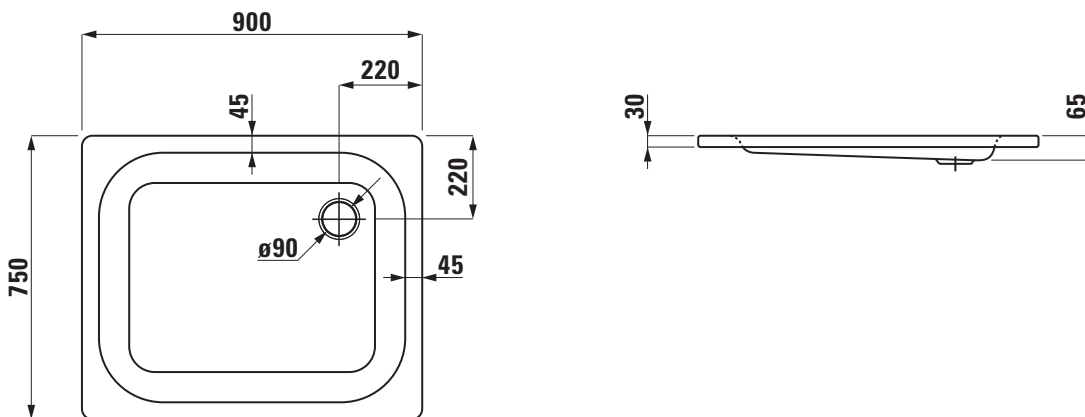
PLATINA rectangular 21501.3



TECHNICAL DATA

Order no.	21510.3	Mounting acc. excl.	Feet for shower tray
Certified to	EN 14527 (EN 249), EN 251		87-115 mm, order no. 29555.5
Dimensions	900 x 750 mm		125-185 mm, order no. 29555.2
Depth	65 mm		Waste and overflow, chromed, order no. 29511.9
Specification	Rectangular shower tray made of 3,5 mm enameled steel Charge 000 – without antinoise pads Charge 040 – with antinoise pads (fulfil DIN 4109) Charge 041 – with antinoise pads (fulfil SIA 181 and DIN 4109)		Noise control band, order no. 29555.1 Styrofoam carrier PORESTA order no. 17.032.631 or SCHEDEL order no. SD 90317
Weight	18,5 kg	Colours	000 – White 600 – White with Antislip

TECHNICAL DRAWINGS / S 1 : 20



STEEL SHOWER TRAYS

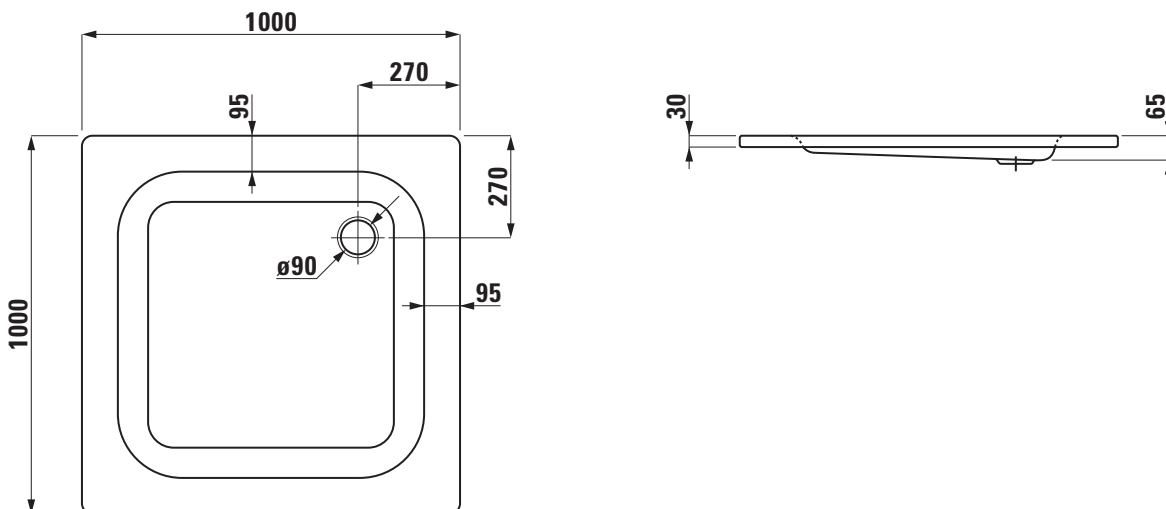
PLATINA square 21501.4



TECHNICAL DATA

Order no.	21501.4	Mounting acc. excl.	Feet for shower tray
Certified to	EN 14527 (EN 249), EN 251		87-115 mm, order no. 29555.6
Dimensions	1000 x 1000 mm		100-135 mm, order no. 29555.3
Depth	65 mm		Waste and overflow, chromed, order no. 29511.9
Specification	Square shower tray made of 3,5 mm enamelled steel		Noise control band, order no. 29555.1
	Charge 000 – without antinoise pads	Colours	000 – White
	Charge 040 – with antinoise pads (fulfil DIN 4109)		600 – White with Antislip
	Charge 041 – with antinoise pads (fulfil SIA 181 and DIN 4109)		
Weight	24,0 kg		

TECHNICAL DRAWINGS / S 1 : 20



STEEL SHOWER TRAYS

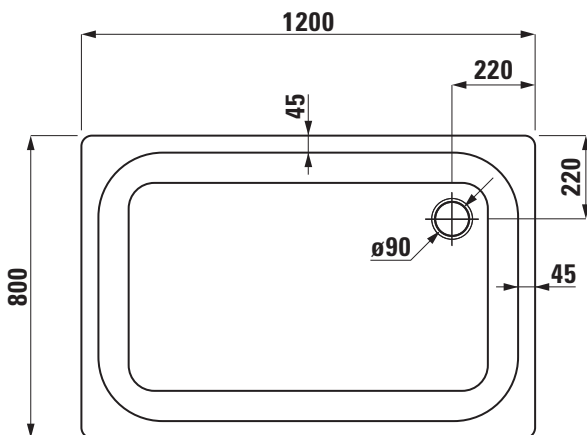
PLATINA rectangular 21501.5



TECHNICAL DATA

Order no.	21501.5	Mounting acc. excl.	2x Feet for shower tray 87-115 mm, order no. 29555.5
Certified to	EN 14527 (EN 249), EN 251		Waste and overflow, chromed, order no. 29511.9
Dimensions	1200 x 800 mm		Noise control band, order no. 29555.1
Depth	65 mm	Colours	000 – White 600 – White with Antislip
Specification	Rectangular shower tray made of 3,5 mm enamelled steel Charge 000 – without antinoise pads Charge 040 – with antinoise pads (fulfil DIN 4109) Charge 041 – with antinoise pads (fulfil SIA 181 and DIN 4109)		
Weight	26,0 kg		

TECHNICAL DRAWINGS / S 1 : 20



STEEL SHOWER TRAYS

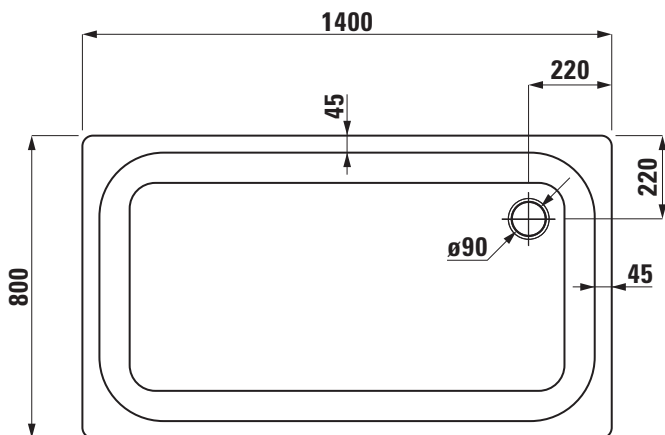
PLATINA rectangular 21501.6



TECHNICAL DATA

Order no.	21501.5	Mounting acc. excl.	2x Feet for shower tray 87-115 mm, order no. 29555.5
Certified to	EN 14527 (EN 249), EN 251		Waste and overflow, chromed, order no. 29511.9
Dimensions	1400 x 800 mm		Noise control band, order no. 29555.1
Depth	65 mm	Colours	000 – White 600 – White with Antislip
Specification	Rectangular shower tray made of 3,5 mm enamelled steel Charge 000 – without antinoise pads Charge 040 – with antinoise pads (fulfil DIN 4109) Charge 041 – with antinoise pads (fulfil SIA 181 and DIN 4109)		
Weight	30,0 kg		

TECHNICAL DRAWINGS / S 1 : 20



STEEL SHOWER TRAYS

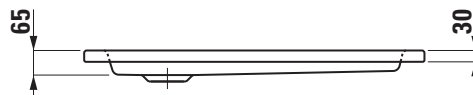
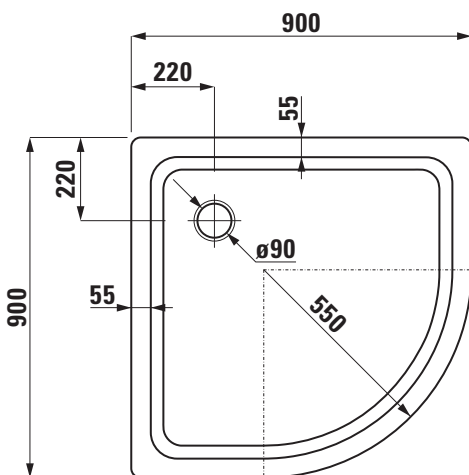
PLATINA corner 21501.8



TECHNICAL DATA

Order no.	21501.8	Mounting acc. excl.	Feet for shower tray
Certified to	EN 14527 (EN 249), EN 251		87-115 mm, order no. 29555.6
Dimensions	900 x 900 mm		100-135 mm, order no. 29555.3
Depth	65 mm		Waste and overflow, chromed, order no. 29511.9
Specification	Corner shower tray made of 3,5 mm enamelled steel		Noise control band, order no. 29555.1
	Charge 000 – without antinoise pads	Colours	000 – White
	Charge 040 – with antinoise pads (fulfil DIN 4109)		600 – White with Antislip
	Charge 041 – with antinoise pads (fulfil SIA 181 and DIN 4109)		
Weight	22,0 kg		

TECHNICAL DRAWINGS / S 1 : 20



STEEL SHOWER TRAYS

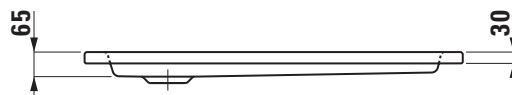
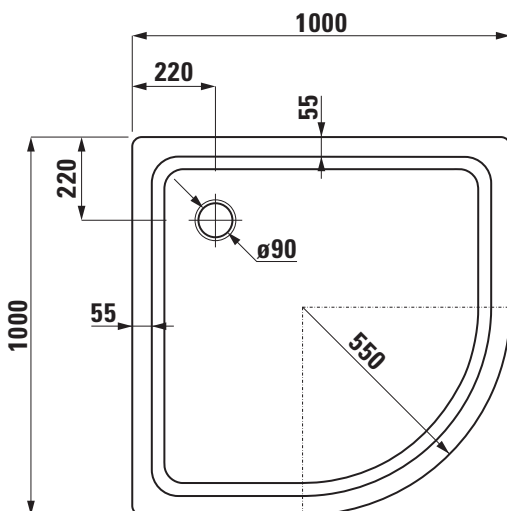
PLATINA corner 21501.9



TECHNICAL DATA

Order no.	21501.9	Mounting acc. excl.	Feet for shower tray
Certified to	EN 14527 (EN 249), EN 251		87-115 mm, order no. 29555.6
Dimensions	1000 x 1000 mm		100-135 mm, order no. 29555.3
Depth	65 mm		Waste and overflow, chromed, order no. 29511.9
Specification	Corner shower tray made of 3,5 mm enamelled steel		Noise control band, order no. 29555.1
	Charge 000 – without antinoise pads	Colours	000 – White
	Charge 040 – with antinoise pads (fulfil DIN 4109)		600 – White with Antislip
	Charge 041 – with antinoise pads (fulfil SIA 181 and DIN 4109)		
Weight	25,5 kg		

TECHNICAL DRAWINGS / S 1 : 20



STEEL SHOWER TRAYS

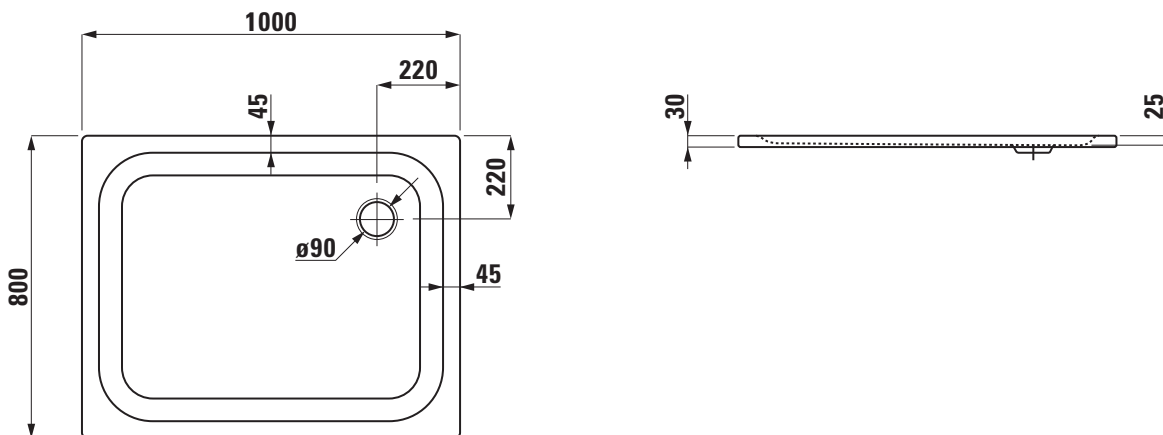
PLATINA rectangular 21504.0



TECHNICAL DATA

Order no.	21504.0	Mounting acc. excl.	Feet for shower tray
Certified to	EN 14527 (EN 249), EN 251		87-115 mm, order no. 29555.5
Dimensions	1000 x 800 mm		125-185 mm, order no. 29555.2
Depth	25 mm		Waste and overflow, chromed, order no. 29511.9
Specification	Rectangular shower tray made of 3,5 mm enamelled steel		Noise control band, order no. 29555.1
	Charge 040 – with antinoise pads (fulfil DIN 4109)	Colours	000 – White without Antislip, Class A (DIN 51097)
	Charge 041 – with antinoise pads (fulfil SIA 181 and DIN 4109)		600 – White with Antislip, Class B (DIN 51097)
Weight	Charge 040 – 21,6 kg		
	Charge 041 – 26,5 kg		

TECHNICAL DRAWINGS / S 1 : 20



STEEL SHOWER TRAYS

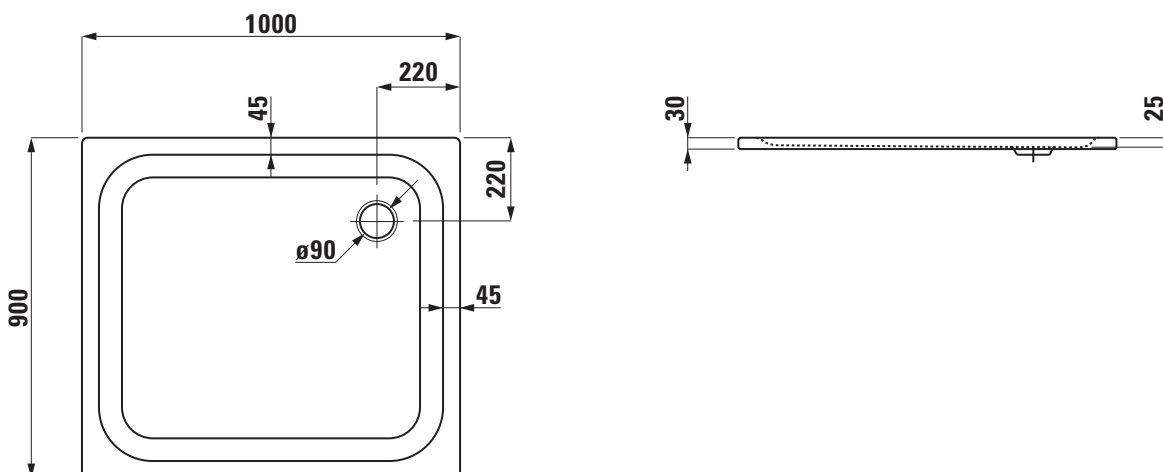
PLATINA rectangular 21503.0



TECHNICAL DATA

Order no.	21503.0	Mounting acc. excl.	Feet for shower tray
Certified to	EN 14527 (EN 249), EN 251		87-115 mm, order no. 29555.5
Dimensions	1000 x 900 mm		125-185 mm, order no. 29555.2
Depth	25 mm		Waste and overflow, chromed, order no. 29511.9
Specification	Rectangular shower tray made of 3,5 mm enamelled steel		Noise control band, order no. 29555.1
	Charge 040 – with antinoise pads (fulfil DIN 4109)		Styrofoam carrier PORESTA order no. 17.014.304,
	Charge 041 – with antinoise pads (fulfil SIA 181 and DIN 4109)		GABAG order no. 7810091, 7810092, 7810093 or SCHEDEL order no. SD 90339
Weight	Charge 040 – 24,2 kg	Colours	000 – White without Antislip, Class A (DIN 51097)
	Charge 041 – 28,8 kg		600 – White with Antislip, Class B (DIN 51097)

TECHNICAL DRAWINGS / S 1 : 20



STEEL SHOWER TRAYS

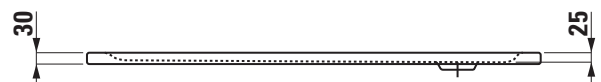
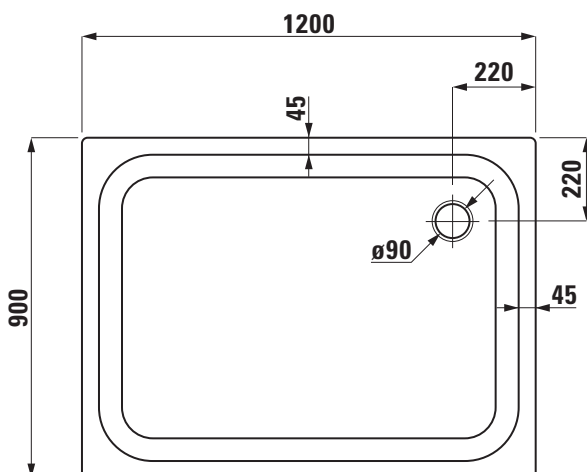
PLATINA rectangular 21503.2



TECHNICAL DATA

Order no.	21503.2	Mounting acc. excl.	2x Feet for shower tray
Certified to	EN 14527 (EN 249), EN 251		87-115 mm, order no. 29555.5
Dimensions	1200 x 900 mm		Waste and overflow, chromed,
Depth	25 mm		order no. 29511.9
Specification	Rectangular shower tray made of 3,5 mm enamelled steel Charge 040 – with antinoise pads (fulfil DIN 4109) Charge 041 – with antinoise pads (fulfil SIA 181 and DIN 4109)		Noise control band, order no. 29555.1 Styrofoam carrier PORESTA order no. 17.014.306, GABAG order no. 7812091, 7812092, 7812093 or SCHEDEL order no. SD 90341
Weight	Charge 040 – 29,2 kg Charge 041 – 34,9 kg	Colours	000 – White without Antislip, Class A (DIN 51097) 600 – White with Antislip, Class B (DIN 51097)

TECHNICAL DRAWINGS / S 1 : 20



STEEL SHOWER TRAYS

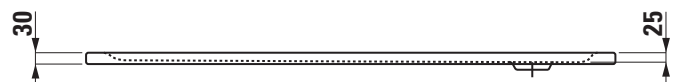
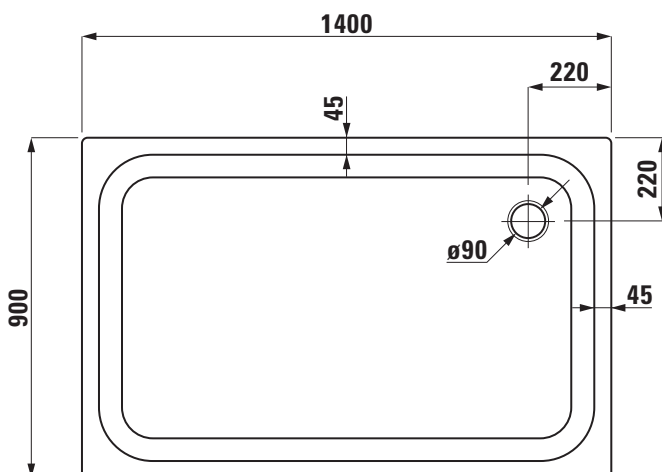
PLATINA rectangular 21503.4



TECHNICAL DATA

Order no.	21503.4	Mounting acc. excl.	2x Feet for shower tray
Certified to	EN 14527 (EN 249), EN 251		87-115 mm, order no. 29555.5
Dimensions	1400 x 900 mm		Waste and overflow, chromed, order no. 29511.9
Depth	25 mm		Noise control band, order no. 29555.1
Specification	Rectangular shower tray made of 3,5 mm enamelled steel Charge 040 – with antinoise pads (fulfil DIN 4109) Charge 041 – with antinoise pads (fulfil SIA 181 and DIN 4109)		Styrofoam carrier PORESTA order no. 17.014.308, GABAG order no. 7814091, 7814092, 7814093 or SCHEDEL order no. SD 90343
Weight	Charge 040 – 33,5 kg Charge 041 – 41,1 kg	Colours	000 – White without Antislip, Class A (DIN 51097) 600 – White with Antislip, Class B (DIN 51097)

TECHNICAL DRAWINGS / S 1 : 20



STEEL SHOWER TRAYS

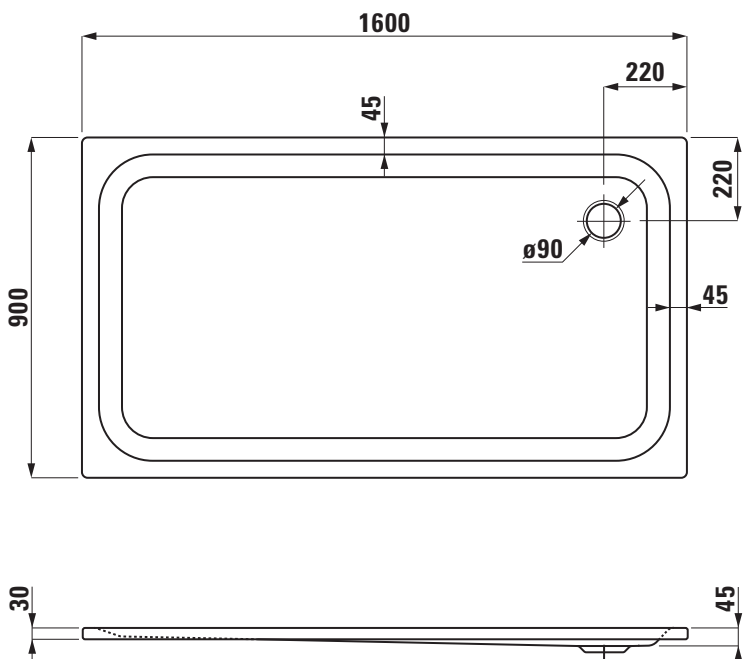
PLATINA rectangular 21503.6



TECHNICAL DATA

Order no.	21503.6	Mounting acc. excl.	2x Feet for shower tray 87-115 mm, order no. 29555.5
Certified to	EN 14527 (EN 249), EN 251		Waste and overflow, chromed, order no. 29511.9
Dimensions	1600 x 900 mm		Noise control band, order no. 29555.1
Depth	45 mm		Styrofoam carrier PORESTA order no. 17.014.310, 17.014.311, GABAG order no. 7816091, 7816092, 7816093 or SCHEDEL order no. SD 90345
Specification	Rectangular shower tray made of 3,5 mm enamelled steel Charge 040 – with antinoise pads (fulfil DIN 4109) Charge 041 – with antinoise pads (fulfil SIA 181 and DIN 4109)	Colours	000 – White without Antislip, Class A (DIN 51097) 600 – White with Antislip, Class B (DIN 51097)
Weight	Charge 040 – 39,8 kg Charge 041 – 48,3 kg		

TECHNICAL DRAWINGS / S 1 : 20



STEEL SHOWER TRAYS

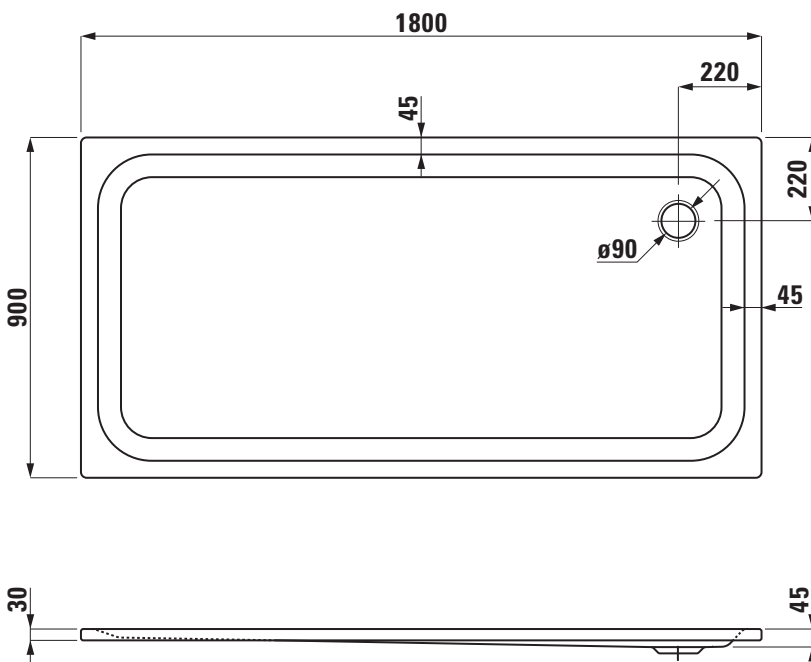
PLATINA rectangular 21503.7



TECHNICAL DATA

Order no.	21503.7	Mounting acc. excl.	2x Feet for shower tray 87-115 mm, order no. 29555.5
Certified to	EN 14527 (EN 249), EN 251		Waste and overflow, chromed, order no. 29511.9
Dimensions	1800 x 900 mm		Noise control band, order no. 29555.1
Depth	45 mm		Styrofoam carrier PORESTA order no. 17.014.312, 17.014.313, GABAG order no. 7816091, 7818092, 7818093 or SCHEDEL order no. SD 90346
Specification	Rectangular shower tray made of 3,5 mm enamelled steel Charge 040 – with antinoise pads (fulfil DIN 4109) Charge 041 – with antinoise pads (fulfil SIA 181 and DIN 4109)	Colours	000 – White without Antislip, Class A (DIN 51097) 600 – White with Antislip, Class B (DIN 51097)
Weight	Charge 040 – 43,8 kg Charge 041 – 54,2 kg		

TECHNICAL DRAWINGS / S 1 : 20



STEEL SHOWER TRAYS

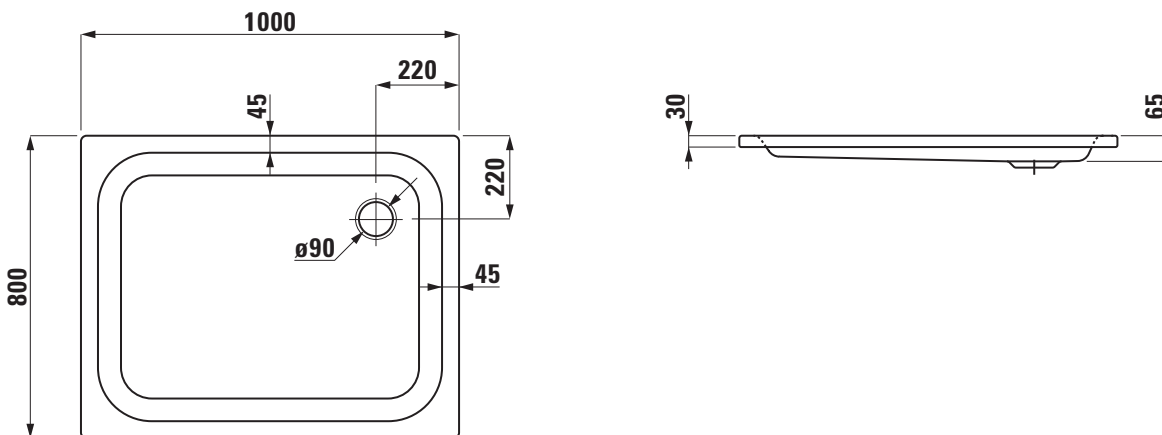
PLATINA rectangular 21504.1



TECHNICAL DATA

Order no.	21504.1	Mounting acc. excl.	Feet for shower tray
Certified to	EN 14527 (EN 249), EN 251		87-115 mm, order no. 29555.5
Dimensions	1000 x 800 mm		125-185 mm, order no. 29555.2
Depth	65 mm		Waste and overflow, chromed, order no. 29511.9
Specification	Rectangular shower tray made of 3,5 mm enamelled steel Charge 040 – with antinoise pads (fulfil DIN 4109) Charge 041 – with antinoise pads (fulfil SIA 181 and DIN 4109)		Noise control band, order no. 29555.1
Weight	Charge 040 – 22,8 kg Charge 041 – 27,7 kg	Colours	000 – White without Antislip, Class A (DIN 51097) 600 – White with Antislip, Class B (DIN 51097)

TECHNICAL DRAWINGS / S 1 : 20



STEEL SHOWER TRAYS

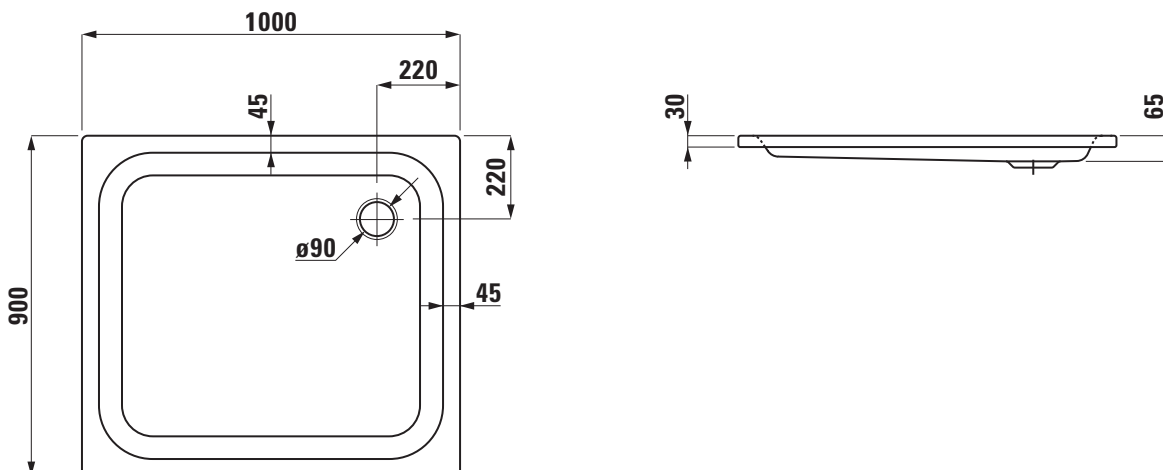
PLATINA rectangular 21503.1



TECHNICAL DATA

Order no.	21503.1	Mounting acc. excl.	Feet for shower tray
Certified to	EN 14527 (EN 249), EN 251		87-115 mm, order no. 29555.5
Dimensions	1000 x 900 mm		125-185 mm, order no. 29555.2
Depth	65 mm		Waste and overflow, chromed, order no. 29511.9
Specification	Rectangular shower tray made of 3,5 mm enamelled steel		Noise control band, order no. 29555.1
	Charge 040 – with antinoise pads (fulfil DIN 4109)		Styrofoam carrier PORESTA order no. 17.014.305,
	Charge 041 – with antinoise pads (fulfil SIA 181 and DIN 4109)		GABAG order no. 7810091, 7810092, 7810093 or SCHEDEL order no. SD 90340
Weight	Charge 040 – 25,1 kg	Colours	000 – White without Antislip, Class A (DIN 51097)
	Charge 041 – 29,8 kg		600 – White with Antislip, Class B (DIN 51097)

TECHNICAL DRAWINGS / S 1 : 20



STEEL SHOWER TRAYS

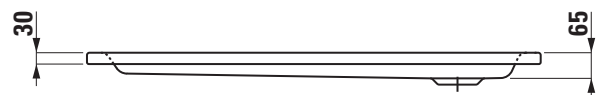
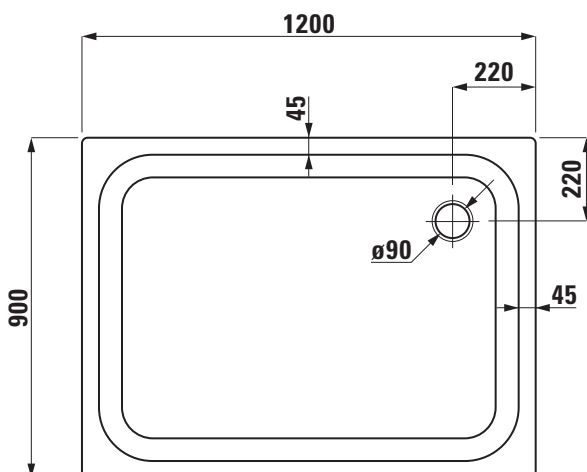
PLATINA rectangular 21503.3



TECHNICAL DATA

Order no.	21503.3	Mounting acc. excl.	2x Feet for shower tray 87-115 mm, order no. 29555.5
Certified to	EN 14527 (EN 249), EN 251		Waste and overflow, chromed, order no. 29511.9
Dimensions	1200 x 900 mm		Noise control band, order no. 29555.1
Depth	65 mm		Styrofoam carrier PORESTA order no. 17.014.307, GABAG order no. 7812091, 7812092, 7812093 or SCHEDEL order no. SD 90342
Specification	Rectangular shower tray made of 3,5 mm enamelled steel Charge 040 – with antinoise pads (fulfil DIN 4109) Charge 041 – with antinoise pads (fulfil SIA 181 and DIN 4109)	Colours	000 – White without Antislip, Class A (DIN 51097) 600 – White with Antislip, Class B (DIN 51097)
Weight	Charge 040 – 30,6 kg Charge 041 – 36,3 kg		

TECHNICAL DRAWINGS / S 1 : 20



STEEL SHOWER TRAYS

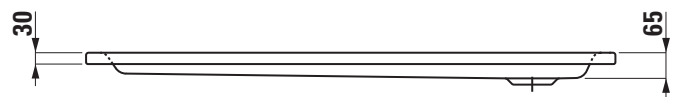
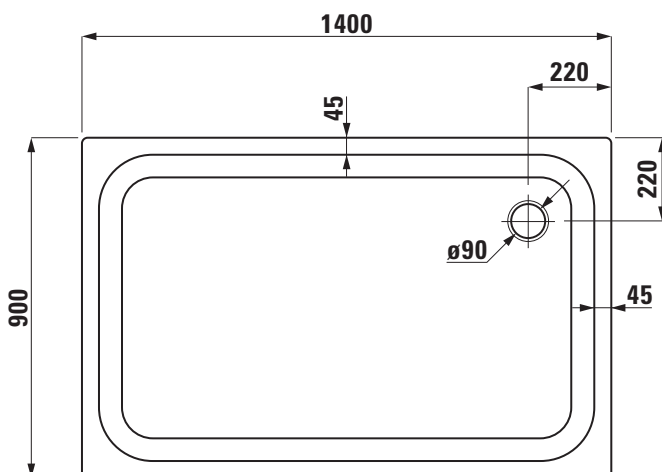
PLATINA rectangular 21503.5



TECHNICAL DATA

Order no.	21503.5	Mounting acc. excl.	2x Feet for shower tray 87-115 mm, order no. 29555.5
Certified to	EN 14527 (EN 249), EN 251		Waste and overflow, chromed, order no. 29511.9
Dimensions	1400 x 900 mm		Noise control band, order no. 29555.1
Depth	65 mm		Styrofoam carrier PORESTA order no. 17.014.309, GABAG order no. 7814091, 7814092, 7814093 or SCHEDEL order no. SD 90344
Specification	Rectangular shower tray made of 3,5 mm enamelled steel Charge 040 – with antinoise pads (fulfil DIN 4109) Charge 041 – with antinoise pads (fulfil SIA 181 and DIN 4109)	Colours	000 – White without Antislip, Class A (DIN 51097) 600 – White with Antislip, Class B (DIN 51097)
Weight	Charge 040 – 35,0 kg Charge 041 – 42,6 kg		

TECHNICAL DRAWINGS / S 1 : 20



STEEL SHOWER TRAYS

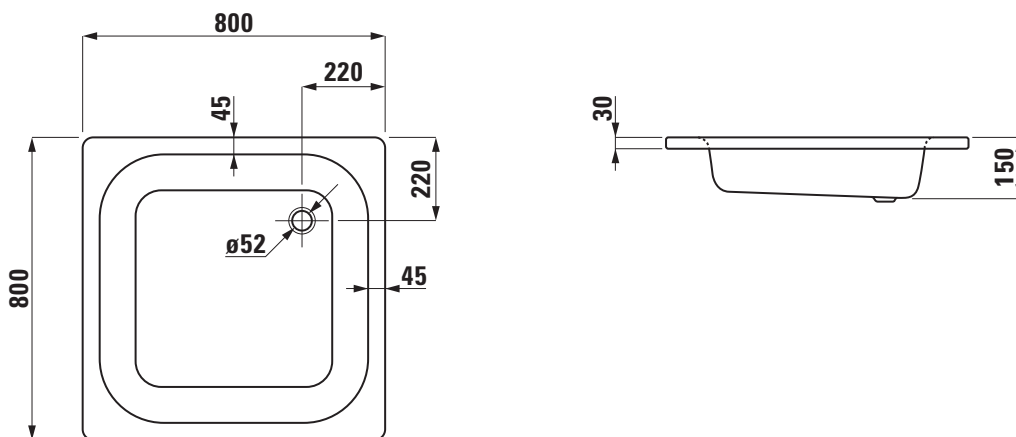
PLATINA square 21502.1



TECHNICAL DATA

Order no.	21502.1	Mounting acc. excl.	Feet for shower tray
Certified to	EN 14527 (EN 249), EN 251		87-115 mm, order no. 29555.5
Dimensions	800 x 800 mm		125-185 mm, order no. 29555.2
Depth	150 mm		Waste and overflow, chromed, order no. 29511.8
Specification	Square shower tray made of 3,5 mm enamelled steel		Noise control band, order no. 29555.1
	Charge 000 – without antinoise pads		Styrofoam carrier PORESTA
	Charge 040 – with antinoise pads (fulfil DIN 4109)		order no. 17.029.467, 17.029.640
	Charge 041 – with antinoise pads (fulfil SIA 181 and DIN 4109)		or SCHEDEL order no. SD 20000
Weight	20,5 kg	Colours	000 – White
			600 – White with Antislip

TECHNICAL DRAWINGS / S 1 : 20



STEEL SHOWER TRAYS

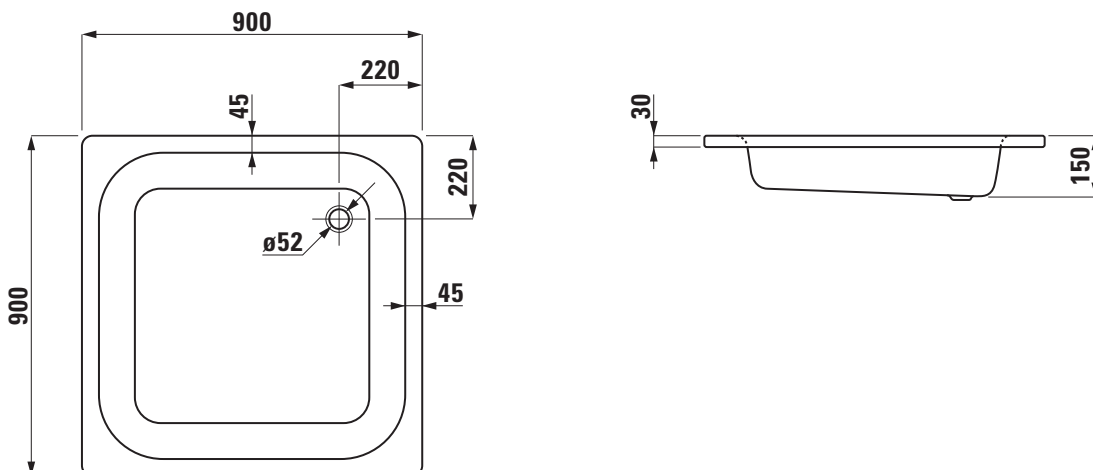
PLATINA square 21502.2



TECHNICAL DATA

Order no.	21502.2	Mounting acc. excl.	Feet for shower tray
Certified to	EN 14527 (EN 249), EN 251		87-115 mm, order no. 29555.5
Dimensions	900 x 900 mm		125-185 mm, order no. 29555.2
Depth	150 mm		Waste and overflow, chromed, order no. 29511.8
Specification	Square shower tray made of 3,5 mm enamelled steel		Noise control band, order no. 29555.1
	Charge 000 – without antinoise pads		Styrofoam carrier PORESTA
	Charge 040 – with antinoise pads (fulfil DIN 4109)		order no. 17.029.468, 17.037.916
	Charge 041 – with antinoise pads (fulfil SIA 181 and DIN 4109)		or SCHEDEL order no. SD 20010
Weight	24,0 kg	Colours	000 – White
			600 – White with Antislip

TECHNICAL DRAWINGS / S 1 : 20



STEEL SHOWER TRAYS

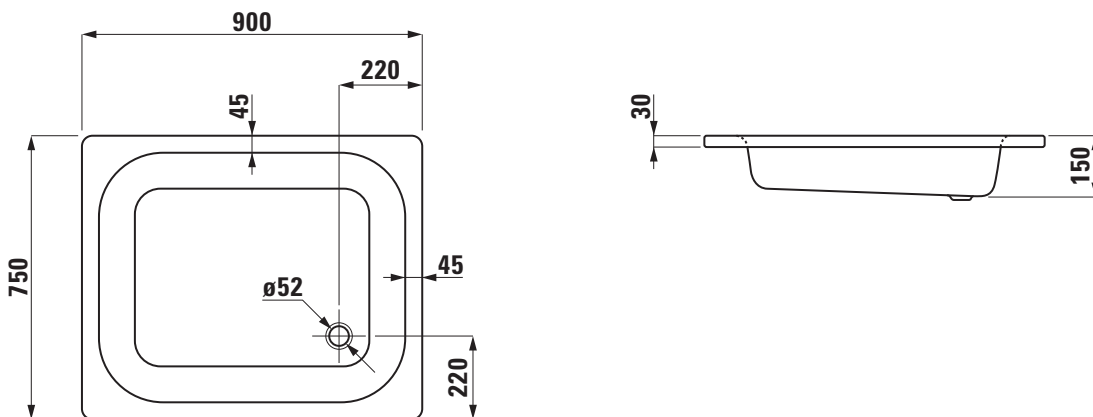
PLATINA rectangular 21502.3



TECHNICAL DATA

Order no.	21502.3	Mounting acc. excl.	Feet for shower tray
Certified to	EN 14527 (EN 249), EN 251		87-115 mm, order no. 29555.5
Dimensions	900 x 750 mm		125-185 mm, order no. 29555.2
Depth	150 mm		Waste and overflow, chromed, order no. 29511.8
Specification	Rectangular shower tray made of 3,5 mm enamelled steel Charge 000 – without antinoise pads Charge 040 – with antinoise pads (fulfil DIN 4109) Charge 041 – with antinoise pads (fulfil SIA 181 and DIN 4109)		Noise control band, order no. 29555.1 Styrofoam carrier PORESTA order no. 17.029.468, 17.037.915 or SCHEDEL order no. SD 20015
Weight	21,0 kg	Colours	000 – White 600 – White with Antislip

TECHNICAL DRAWINGS / S 1 : 20

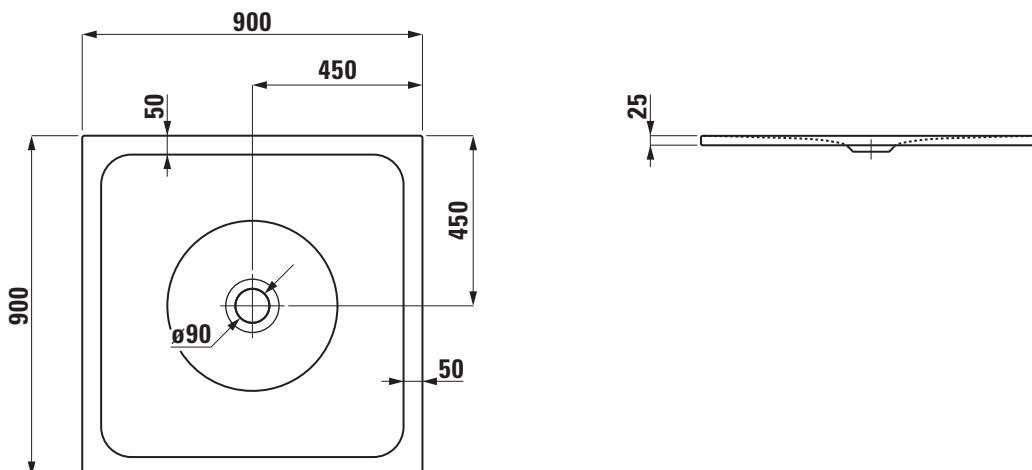




TECHNICAL DATA

Order no.	21507.1	Mounting acc. excl.	Installation frame for in-floor shower tray, order no. 29807.1
Certified to	EN 14527 (EN 249), EN 251		Waste and overflow, chromed, order no. 29511.9
Dimensions	900 x 900 mm		Noise control band, order no. 29555.1
Depth	25 mm		Styrofoam carrier SCHEDEL order no. 29607.1
Specification	Square shower tray made of 3,5 mm enamelled steel Charge 000 – without antinoise pads Charge 040 – with antinoise pads (fulfil DIN 4109) Charge 041 – with antinoise pads (fulfil SIA 181 and DIN 4109)	Colours	000 – White 076 – Anthracite 757 – White matt 600 – White with Antislip 657 – White matt with Antislip 676 – Anthracite with Antislip
Weight	21,5 kg		

TECHNICAL DRAWINGS / S 1 : 20

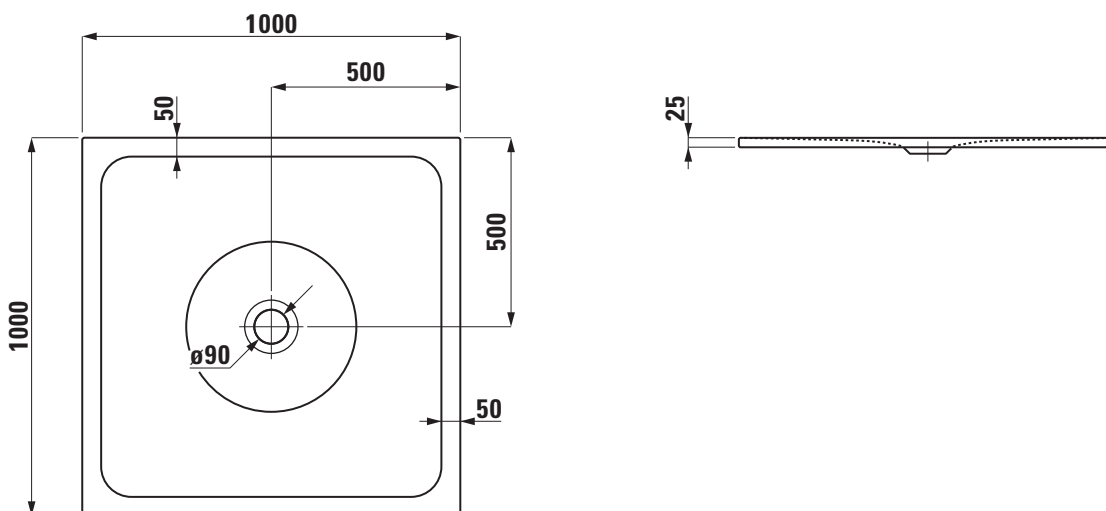




TECHNICAL DATA

Order no.	21507.2	Mounting acc. excl.	Installation frame for in-floor shower tray, order no. 29807.2
Certified to	EN 14527 (EN 249), EN 251		Waste and overflow, chromed, order no. 29511.9
Dimensions	1000 x 1000 mm		Noise control band, order no. 29555.1
Depth	25 mm		Styrofoam carrier SCHEDEL order no. 29607.2
Specification	Square shower tray made of 3,5 mm enamelled steel Charge 000 – without antinoise pads Charge 040 – with antinoise pads (fulfil DIN 4109) Charge 041 – with antinoise pads (fulfil SIA 181 and DIN 4109)	Colours	000 – White 076 – Anthracite 757 – White matt 600 – White with Antislip 657 – White matt with Antislip 676 – Anthracite with Antislip
Weight	26,0 kg		

TECHNICAL DRAWINGS / S 1 : 20



STEEL SHOWER TRAYS

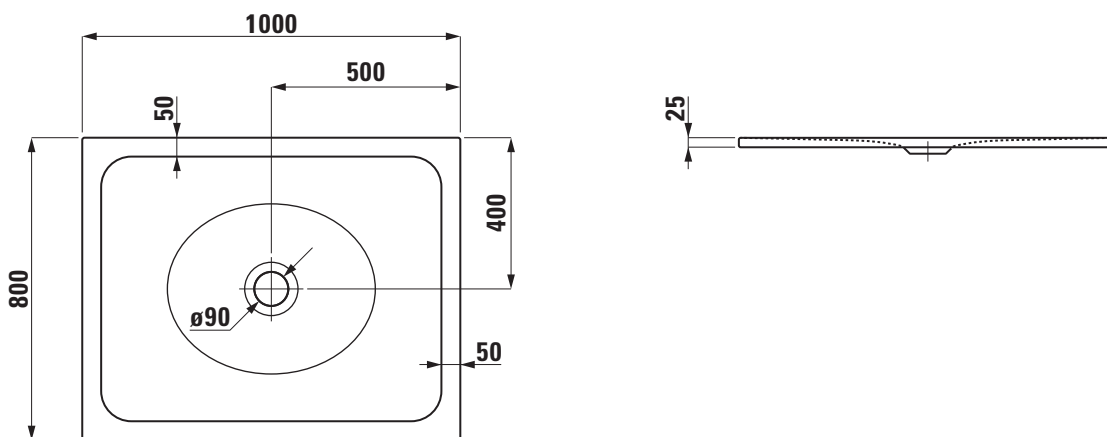
INDURA rectangular 21507.3



TECHNICAL DATA

Order no.	21507.3	Mounting acc. excl.	Installation frame for in-floor shower tray, order no. 29807.3
Certified to	EN 14527 (EN 249), EN 251		Waste and overflow, chromed, order no. 29511.9
Dimensions	1000 x 800 mm		Noise control band, order no. 29555.1
Depth	25 mm	Colours	000 – White 076 – Anthracite 757 – White matt 600 – White with Antislip 657 – White matt with Antislip 676 – Anthracite with Antislip
Specification	Rectangular shower tray made of 3,5 mm enamelled steel Charge 000 – without antinoise pads Charge 040 – with antinoise pads (fulfil DIN 4109) Charge 041 – with antinoise pads (fulfil SIA 181 and DIN 4109)		
Weight	22,0 kg		

TECHNICAL DRAWINGS / S 1 : 20



STEEL SHOWER TRAYS

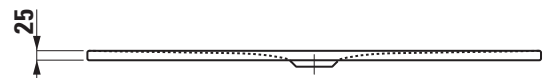
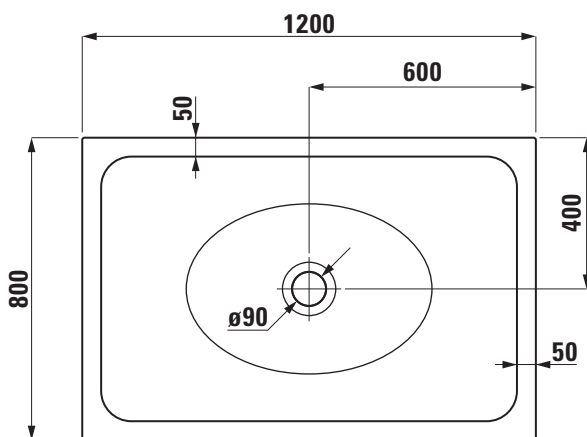
INDURA rectangular 21507.4



TECHNICAL DATA

Order no.	21507.4	Mounting acc. excl.	Waste and overflow, chromed, order no. 29511.9
Certified to	EN 14527 (EN 249), EN 251		Noise control band, order no. 29555.1
Dimensions	1200 x 800 mm	Colours	000 – White
Depth	25 mm		076 – Anthracite
Specification	Rectangular shower tray made of 3,5 mm enamelled steel Charge 000 – without antinoise pads Charge 040 – with antinoise pads (fulfil DIN 4109) Charge 041 – with antinoise pads (fulfil SIA 181 and DIN 4109)		757 – White matt
Weight	25,5 kg		600 – White with Antislip
			657 – White matt with Antislip
			676 – Anthracite with Antislip

TECHNICAL DRAWINGS / S 1 : 20



STEEL SHOWER TRAYS

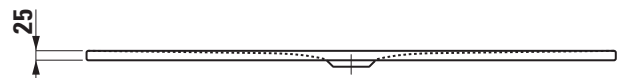
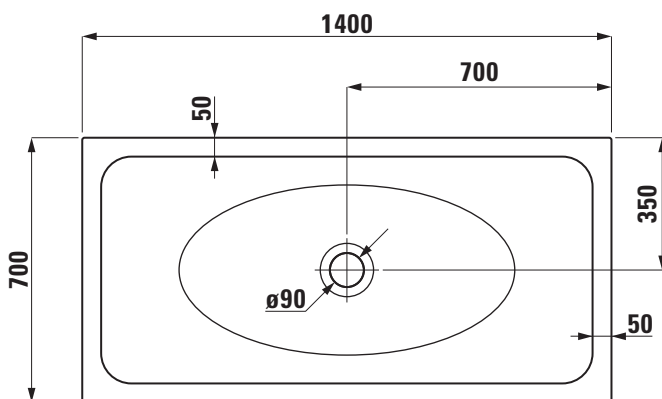
INDURA rectangular 21507.5



TECHNICAL DATA

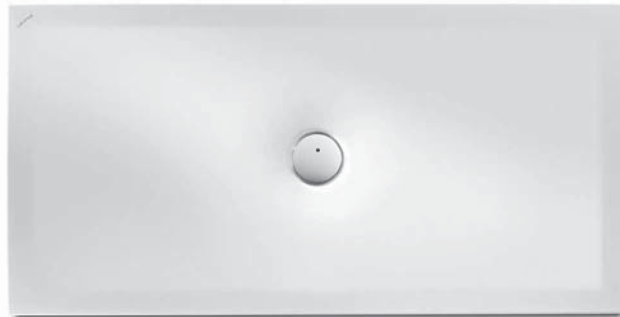
Order no.	21507.5	Mounting acc. excl.	Installation frame for in-floor shower tray, order no. 29807.5
Certified to	EN 14527 (EN 249), EN 251		Waste and overflow, chromed, order no. 29511.9
Dimensions	1400 x 700 mm		Noise control band, order no. 29555.1
Depth	25 mm		Styrofoam carrier SCHEDEL order no. 29607.5
Specification	Rectangular shower tray made of 3,5 mm enamelled steel Charge 000 – without antinoise pads Charge 040 – with antinoise pads (fulfil DIN 4109) Charge 041 – with antinoise pads (fulfil SIA 181 and DIN 4109)	Colours	000 – White 076 – Anthracite 757 – White matt 600 – White with Antislip 657 – White matt with Antislip 676 – Anthracite with Antislip
Weight	26,0 kg		

TECHNICAL DRAWINGS / S 1 : 20



STEEL SHOWER TRAYS

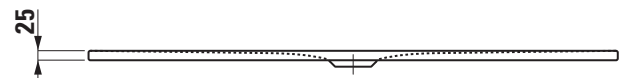
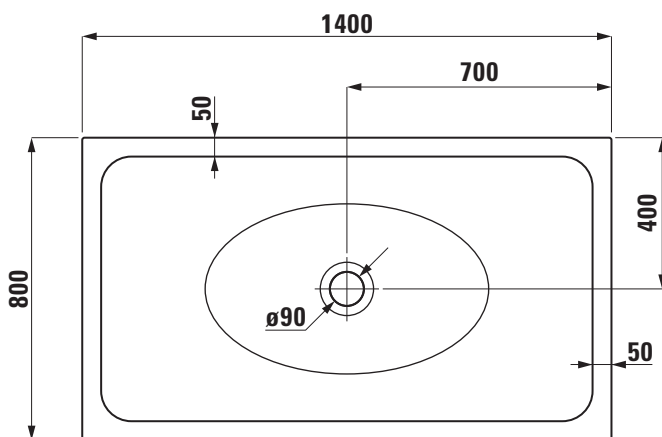
INDURA rectangular 21507.6



TECHNICAL DATA

Order no.	21507.6	Mounting acc. excl.	Waste and overflow, chromed, order no. 29511.9
Certified to	EN 14527 (EN 249), EN 251		Noise control band, order no. 29555.1
Dimensions	1400 x 800 mm		Styrofoam carrier SCHEDEL order no. 29607.6
Depth	25 mm	Colours	000 – White 076 – Anthracite 757 – White matt 600 – White with Antislip 657 – White matt with Antislip 676 – Anthracite with Antislip
Specification	Rectangular shower tray made of 3,5 mm enamelled steel Charge 000 – without antinoise pads Charge 040 – with antinoise pads (fulfil DIN 4109) Charge 041 – with antinoise pads (fulfil SIA 181 and DIN 4109)		
Weight	29,5 kg		

TECHNICAL DRAWINGS / S 1 : 20



FURNITURE

SONAR FURNITURE

Vanity unit

40548.1

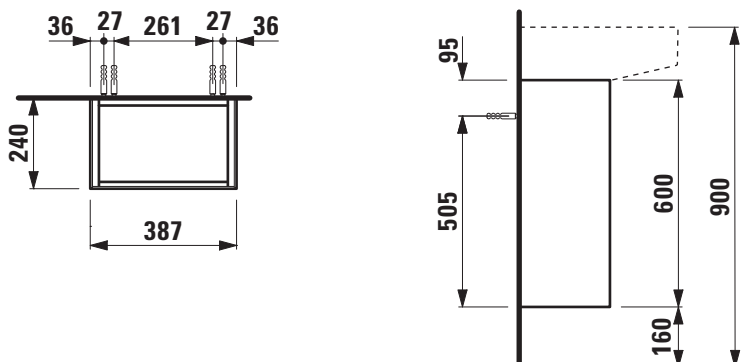
40548.2



TECHNICAL DATA

Order no.	40548.1 / door hinge left 40548.2 / door hinge right	Mounting information	The walls installed on must meet the requirements of the furniture in terms of weight and the supplied fastening elements. If this cannot be guaranteed another method of installation needs to be chosen.
Dimensions (WxHxD)	387 x 600 x 240 mm	Colours	040 – Gold 041 – Copper 042 – Titanium
Matching for	Small washbasin, order no. 81534.1		
Specification	Body/Front – particle board, inside melamine dark grey on the outsides MDF panels 6 mm, lacquered 1 push and pull door 1 internal shelf		
Weight	12,5 kg		
Accessories excl.	Space saving siphon, order no. 89424.0		
Mounting acc. incl.	Installation set for furniture, order no. 49301.5, 49610.3		

TECHNICAL DRAWINGS / S 1 : 20



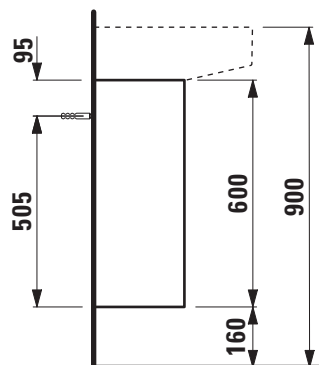
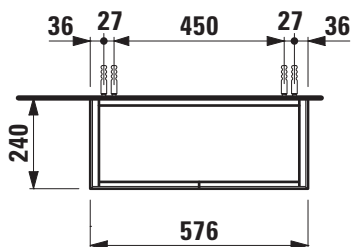


TECHNICAL DATA

Order no.	40548.3 / 2 doors
Dimensions (WxHxD)	576 x 600 x 240 mm
Matching for	Washbasin, order no. 81034.2
Specification	Body/Front – particle board, inside melamine dark grey on the outsides MDF panels 6 mm, lacquered 2 push and pull doors 1 internal shelf
Weight	16,5 kg
Accessories excl.	Space saving siphon, order no. 89424.0
Mounting acc. incl.	Installation set for furniture, order no. 49301.5, 49610.3

Mounting information	The walls installed on must meet the requirements of the furniture in terms of weight and the supplied fastening elements. If this cannot be guaranteed another method of installation needs to be chosen.
Colours	040 – Gold 041 – Copper 042 – Titanium

TECHNICAL DRAWINGS / S 1 : 20



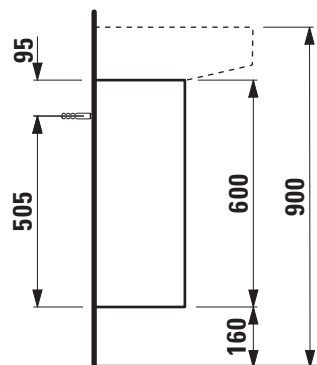
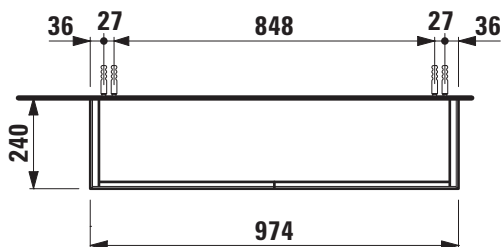


TECHNICAL DATA

Order no.	40548.4 / 2 doors
Dimensions (WxHxD)	974 x 600 x 240 mm
Matching for	Washbasin, order no. 81034.7
Specification	Body/Front – particle board, inside melamine dark grey on the outsides MDF panels 6 mm, lacquered 2 push and pull doors 1 internal shelf
Weight	21,0 kg
Accessories excl.	Space saving siphon, order no. 89424.0
Mounting acc. incl.	Installation set for furniture, order no. 49301.5, 49610.3

Mounting information	The walls installed on must meet the requirements of the furniture in terms of weight and the supplied fastening elements. If this cannot be guaranteed another method of installation needs to be chosen.
Colours	040 – Gold 041 – Copper 042 – Titanium

TECHNICAL DRAWINGS / S 1 : 20



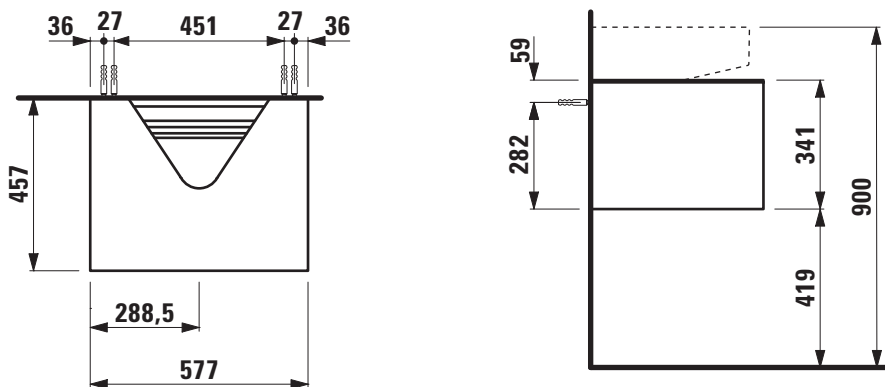
Drawer element with cut out
40543.1



TECHNICAL DATA

Order no.	40543.1 / 1 drawer	Mounting acc. incl.	Installation set for furniture, order no. 491114.0, 49301.5
Dimensions (WxHxD)	577 x 341 x 457 mm	Mounting information	The walls installed on must meet the requirements of the furniture in terms of weight and the supplied fastening elements. If this cannot be guaranteed another method of installation needs to be chosen.
Matching for	Washbasin, order no. 81634.1	Colours	040 – Gold (laquered MDF top) 041 – Copper (laquered MDF top) 042 – Titanium (laquered MDF top) 140 – Gold / Nero marquina (ceramic top) 141 – Copper / Nero marquina (ceramic top) 142 – Titanium / Nero marquina (ceramic top)
Specification	Body/Front – particle board, inside melamine dark grey on the outsides MDF panels 6 mm, lacquered Top – lacquered MDF or ceramic stoneware with marble optic with 6 mm top 1 cut out 1 push and pull full extension drawer		
Weight	with MDF top – 23,0 kg with ceramic top – 26,0 kg		
Accessories excl.	Space saving siphon, order no. 89424.0		

TECHNICAL DRAWINGS / S 1 : 20



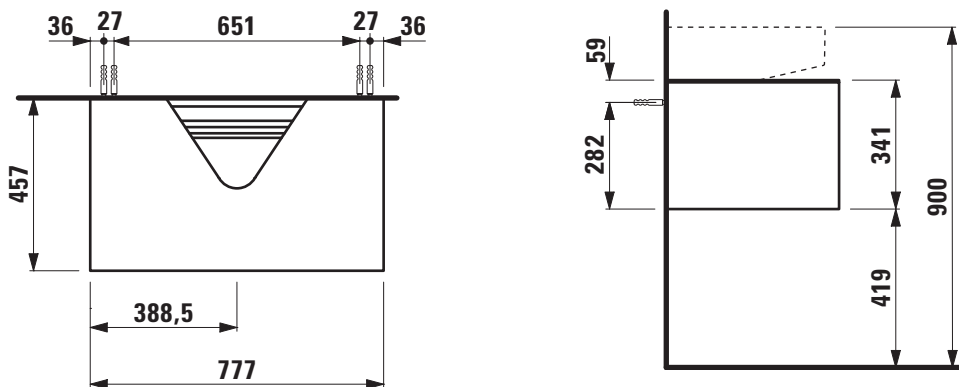
Drawer element with cut out
40544.1



TECHNICAL DATA

Order no.	40544.1 / 1 drawer	Mounting acc. incl.	Installation set for furniture, order no. 491114.0, 49301.5
Dimensions (WxHxD)	777 x 341 x 457 mm	Mounting information	The walls installed on must meet the requirements of the furniture in terms of weight and the supplied fastening elements. If this cannot be guaranteed another method of installation needs to be chosen.
Matching for	Washbasin, order no. 81634.1, 81634.2	Colours	040 – Gold (laquered MDF top) 041 – Copper (laquered MDF top) 042 – Titanium (laquered MDF top) 140 – Gold / Nero marquina (ceramic top) 141 – Copper / Nero marquina (ceramic top) 142 – Titanium / Nero marquina (ceramic top)
Specification	Body/Front – particle board, inside melamine dark grey on the outsides MDF panels 6 mm, lacquered Top – lacquered MDF or ceramic stoneware with marble optic with 6 mm top 1 cut out 1 push and pull full extension drawer		
Weight	with MDF top – 28,0 kg with ceramic top – 31,5 kg		
Accessories excl.	Space saving siphon, order no. 89424.0		

TECHNICAL DRAWINGS / S 1 : 20



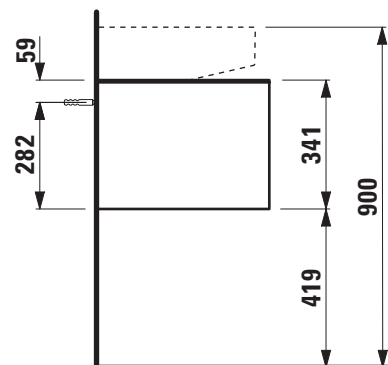
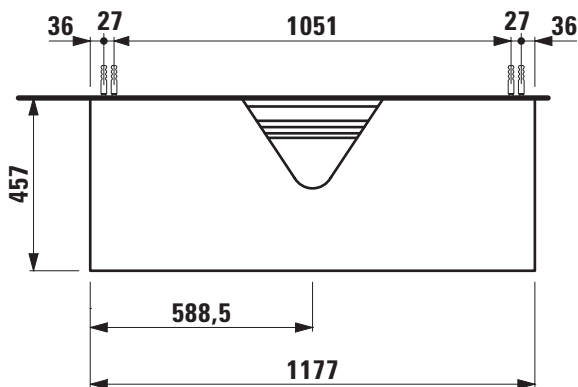
Drawer element with cut out
40545.1



TECHNICAL DATA

Order no.	40545.1 / 1 drawer	Mounting acc. incl.	Installation set for furniture, order no. 491114.0, 49301.5
Dimensions (WxHxD)	1177 x 341 x 457 mm	Mounting information	The walls installed on must meet the requirements of the furniture in terms of weight and the supplied fastening elements. If this cannot be guaranteed another method of installation needs to be chosen.
Matching for	Washbasin, order no. 81634.1, 81634.2	Colours	040 – Gold (laquered MDF top) 041 – Copper (laquered MDF top) 042 – Titanium (laquered MDF top) 140 – Gold / Nero marquina (ceramic top) 141 – Copper / Nero marquina (ceramic top) 142 – Titanium / Nero marquina (ceramic top)
Specification	Body/Front – particle board, inside melamine dark grey on the outsides MDF panels 6 mm, lacquered Top – lacquered MDF or ceramic stoneware with marble optic with 6 mm top 1 cut out 1 push and pull full extension drawer		
Weight	with MDF top – 39,5 kg with ceramic top – 45,5 kg		
Accessories excl.	Space saving siphon, order no. 89424.0		

TECHNICAL DRAWINGS / S 1 : 20



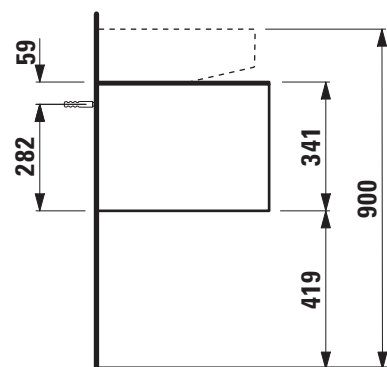
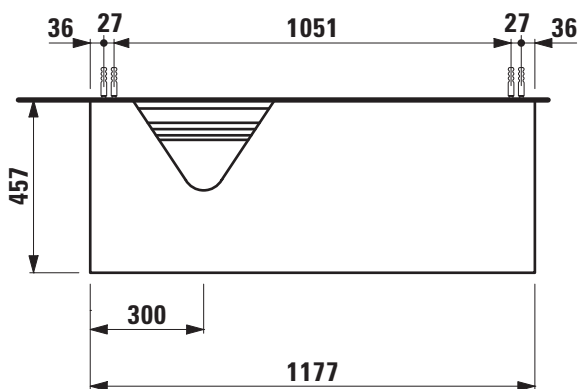
**Drawer element with cut out left
40545.2**



TECHNICAL DATA

Order no.	40545.2 / 1 drawer	Mounting acc. incl.	Installation set for furniture, order no. 491114.0, 49301.5
Dimensions (WxHxD)	1177 x 341 x 457 mm	Mounting information	The walls installed on must meet the requirements of the furniture in terms of weight and the supplied fastening elements. If this cannot be guaranteed another method of installation needs to be chosen.
Matching for	Washbasin, order no. 81634.1, 81634.2	Colours	040 – Gold (laquered MDF top) 041 – Copper (laquered MDF top) 042 – Titanium (laquered MDF top) 140 – Gold / Nero marquina (ceramic top) 141 – Copper / Nero marquina (ceramic top) 142 – Titanium / Nero marquina (ceramic top)
Specification	Body/Front – particle board, inside melamine dark grey on the outsides MDF panels 6 mm, lacquered Top – lacquered MDF or ceramic stoneware with marble optic with 6 mm top, 1 cut out left 1 push and pull full extension drawer		
Weight	with MDF top – 39,5 kg with ceramic top – 45,5 kg		
Accessories excl.	Space saving siphon, order no. 89424.0		

TECHNICAL DRAWINGS / S 1 : 20



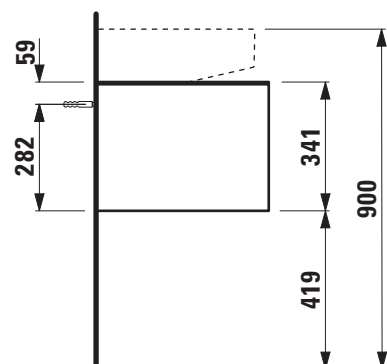
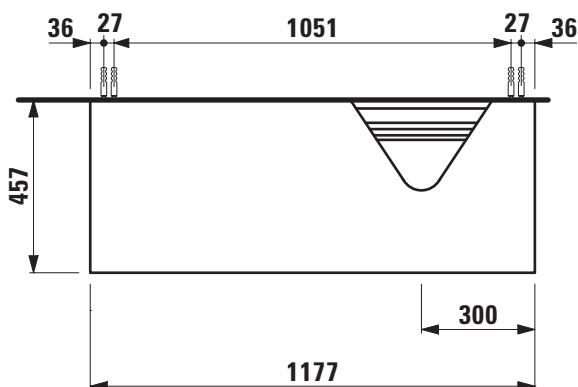
**Drawer element with cut out right
40545.3**



TECHNICAL DATA

Order no.	40545.3 / 1 drawer	Mounting acc. incl.	Installation set for furniture, order no. 491114.0, 49301.5
Dimensions (WxHxD)	1177 x 341 x 457 mm	Mounting information	The walls installed on must meet the requirements of the furniture in terms of weight and the supplied fastening elements. If this cannot be guaranteed another method of installation needs to be chosen.
Matching for	Washbasin, order no. 81634.1, 81634.2	Colours	040 – Gold (laquered MDF top) 041 – Copper (laquered MDF top) 042 – Titanium (laquered MDF top) 140 – Gold / Nero marquina (ceramic top) 141 – Copper / Nero marquina (ceramic top) 142 – Titanium / Nero marquina (ceramic top)
Specification	Body/Front – particle board, inside melamine dark grey on the outsides MDF panels 6 mm, lacquered Top – lacquered MDF or ceramic stoneware with marble optic with 6 mm top, 1 cut out right 1 push and pull full extension drawer		
Weight	with MDF top – 39,5 kg with ceramic top – 45,5 kg		
Accessories excl.	Space saving siphon, order no. 89424.0		

TECHNICAL DRAWINGS / S 1 : 20

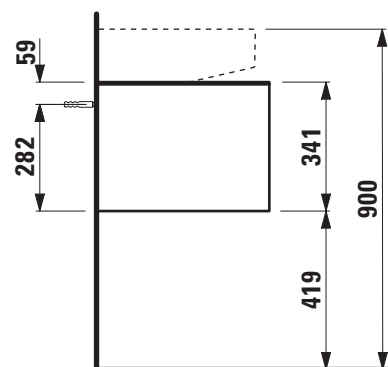
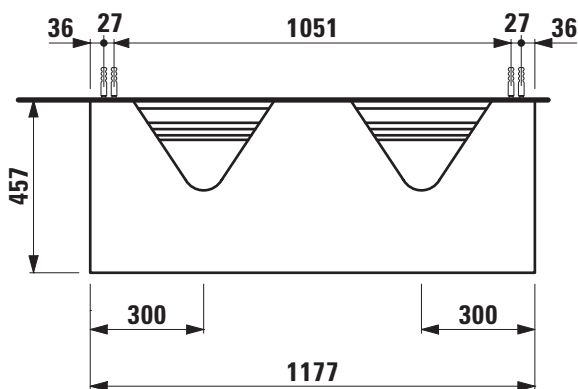




TECHNICAL DATA

Order no.	40545.4 / 1 drawer	Mounting acc. incl.	Installation set for furniture, order no. 491114.0, 49301.5
Dimensions (WxHxD)	1177 x 341 x 457 mm	Mounting information	The walls installed on must meet the requirements of the furniture in terms of weight and the supplied fastening elements. If this cannot be guaranteed another method of installation needs to be chosen.
Matching for	Washbasin, order no. 81634.1	Colours	040 – Gold (laquered MDF top) 041 – Copper (laquered MDF top) 042 – Titanium (laquered MDF top) 140 – Gold / Nero marquina (ceramic top) 141 – Copper / Nero marquina (ceramic top) 142 – Titanium / Nero marquina (ceramic top)
Specification	Body/Front – particle board, inside melamine dark grey on the outsides MDF panels 6 mm, lacquered Top – lacquered MDF or ceramic stoneware with marble optic with 6 mm top 2 cut outs 1 push and pull full extension drawer		
Weight	with MDF top – 39,5 kg with ceramic top – 45,5 kg		
Accessories excl.	Space saving siphon, order no. 89424.0		

TECHNICAL DRAWINGS / S 1 : 20



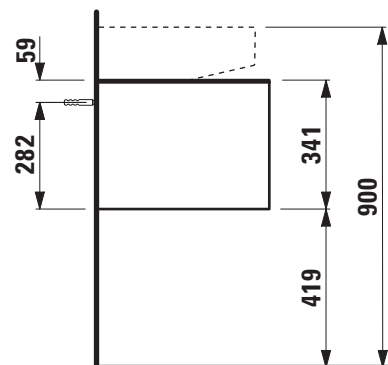
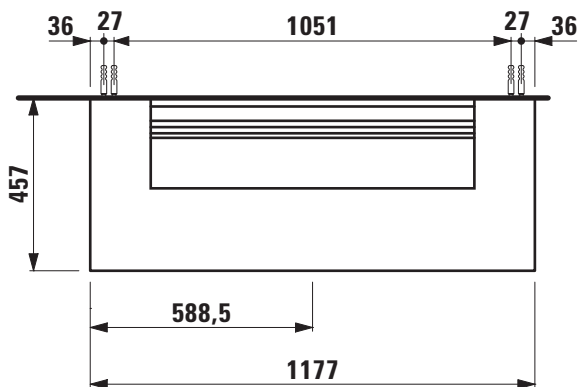
Drawer element with cut out
40546.1



TECHNICAL DATA

Order no.	40546.1 / 1 drawer	Mounting acc. incl.	Installation set for furniture, order no. 491114.0, 49301.5
Dimensions (WxHxD)	1177 x 341 x 457 mm	Mounting information	The walls installed on must meet the requirements of the furniture in terms of weight and the supplied fastening elements. If this cannot be guaranteed another method of installation needs to be chosen.
Matching for	Washbasin, order no. 81634.7	Colours	040 – Gold (laquered MDF top) 041 – Copper (laquered MDF top) 042 – Titanium (laquered MDF top) 140 – Gold / Nero marquina (ceramic top) 141 – Copper / Nero marquina (ceramic top) 142 – Titanium / Nero marquina (ceramic top)
Specification	Body/Front – particle board, inside melamine dark grey on the outsides MDF panels 6 mm, lacquered Top – lacquered MDF or ceramic stoneware with marble optic with 6 mm top 1 cut out 1 push and pull full extension drawer		
Weight	with MDF top – 39,5 kg with ceramic top – 45,5 kg		
Accessories excl.	Space saving siphon, order no. 89424.0		

TECHNICAL DRAWINGS / S 1 : 20



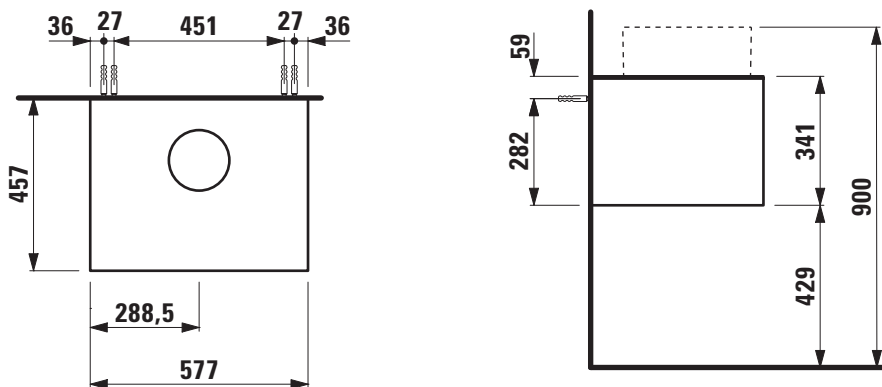
**Drawer element with cut out
40540.1**



TECHNICAL DATA

Order no.	40540.1 / 1 drawer	Accessories excl.	Space saving siphon, order no. 89424.0
Dimensions (WxHxD)	577 x 341 x 457 mm	Mounting acc. incl.	Installation set for furniture, order no. 491114.0, 49301.5
Matching for	Washbasin bowl, order no. 81234.0, 81234.1, 81234.2, 81234.3	Mounting information	The walls installed on must meet the requirements of the furniture in terms of weight and the supplied fastening elements. If this cannot be guaranteed another method of installation needs to be chosen.
Specification	Body/Front – particle board, inside melamine dark grey on the outsides MDF panels 6 mm, lacquered Top – lacquered MDF or ceramic stoneware with marble optic with 6 mm top 1 cut out 1 push and pull full extension drawer	Colours	040 – Gold (laquered MDF top) 041 – Copper (laquered MDF top) 042 – Titanium (laquered MDF top) 140 – Gold / Nero marquina (ceramic top) 141 – Copper / Nero marquina (ceramic top) 142 – Titanium / Nero marquina (ceramic top)
Weight	with MDF top – 23,0 kg with ceramic top – 26,0 kg		

TECHNICAL DRAWINGS / S 1 : 20



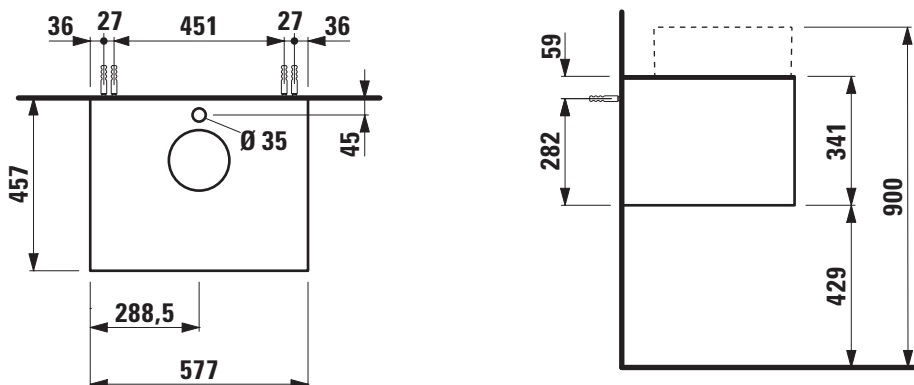
**Drawer element with ceramic top,
with cut out and drilled tap hole
40540.5**



TECHNICAL DATA

Order no.	40540.5 / 1 drawer	Accessories excl.	Space saving siphon, order no. 89424.0
Dimensions (WxHxD)	577 x 341 x 457 mm	Mounting acc. incl.	Installation set for furniture, order no. 491114.0, 49301.5
Matching for	Washbasin bowl, order no. 81234.0, 81234.1, 81234.2, 81234.3	Mounting information	The walls installed on must meet the requirements of the furniture in terms of weight and the supplied fastening elements. If this cannot be guaranteed another method of installation needs to be chosen.
Specification	Body/Front – particle board, inside melamine dark grey on the outsides MDF panels 6 mm, lacquered Top – ceramic stoneware with marble optic with 6 mm top 1 cut out 1 drilled tap hole 1 push and pull full extension drawer	Colours	140 – Gold / Nero marquina (ceramic top) 141 – Copper / Nero marquina (ceramic top) 142 – Titanium / Nero marquina (ceramic top)
Weight	26,0 kg		

TECHNICAL DRAWINGS / S 1 : 20



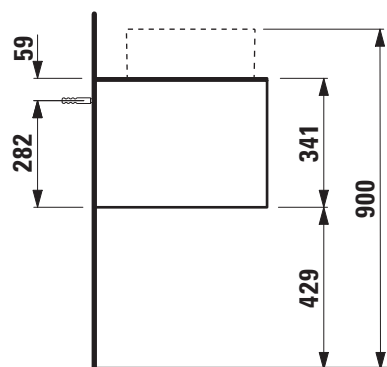
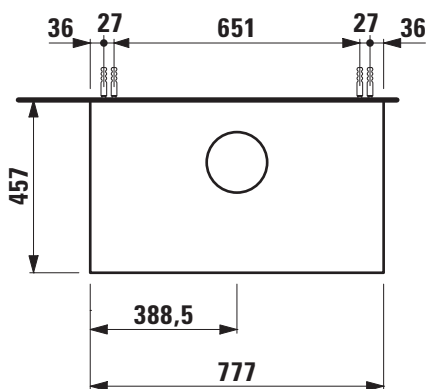
Drawer element with cut out
40541.1



TECHNICAL DATA

Order no.	40541.1 / 1 drawer	Accessories excl.	Space saving siphon, order no. 89424.0
Dimensions (WxHxD)	777 x 341 x 457 mm	Mounting acc. incl.	Installation set for furniture, order no. 491114.0, 49301.5
Matching for	Washbasin bowl, order no. 81234.0, 81234.1, 81234.2, 81234.3	Mounting information	The walls installed on must meet the requirements of the furniture in terms of weight and the supplied fastening elements. If this cannot be guaranteed another method of installation needs to be chosen.
Specification	Body/Front – particle board, inside melamine dark grey on the outsides MDF panels 6 mm, lacquered Top – lacquered MDF or ceramic stoneware with marble optic with 6 mm top 1 cut out 1 push and pull full extension drawer	Colours	040 – Gold (laquered MDF top) 041 – Copper (laquered MDF top) 042 – Titanium (laquered MDF top) 140 – Gold / Nero marquina (ceramic top) 141 – Copper / Nero marquina (ceramic top) 142 – Titanium / Nero marquina (ceramic top)
Weight	with MDF top – 28,0 kg with ceramic top – 31,5 kg		

TECHNICAL DRAWINGS / S 1 : 20



SONAR FURNITURE

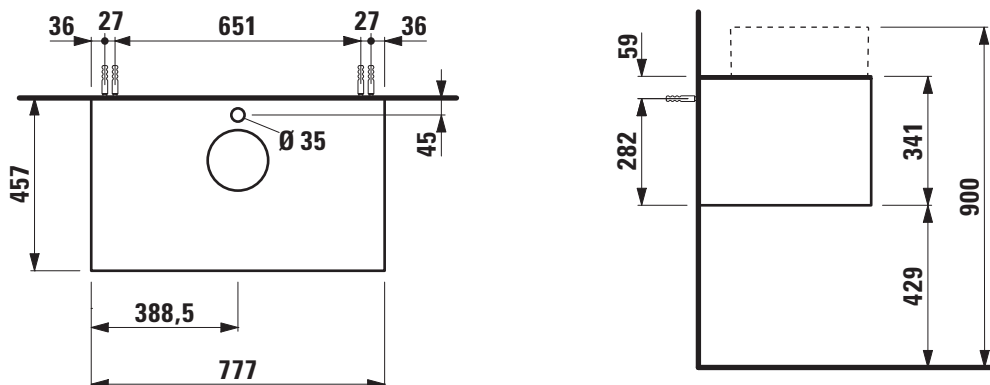
Drawer element with ceramic top, with cut out and drilled tap hole 40541.5



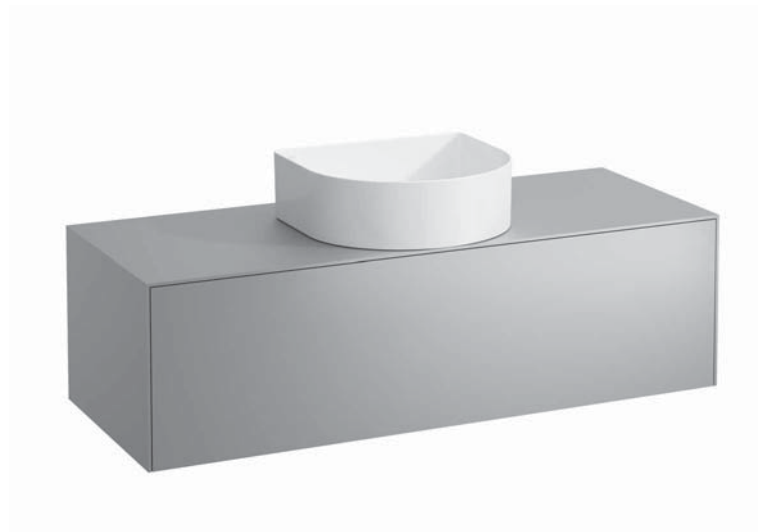
TECHNICAL DATA

Order no.	40541.5 / 1 drawer	Mounting acc. incl.	Installation set for furniture, order no. 491114.0, 49301.5
Dimensions (WxHxD)	777 x 341 x 457 mm	Mounting information	The walls installed on must meet the requirements of the furniture in terms of weight and the supplied fastening elements. If this cannot be guaranteed another method of installation needs to be chosen.
Matching for	Washbasin bowl, order no. 81234.0, 81234.1, 81234.2, 81234.3	Colours	140 – Gold / Nero marquina (ceramic top) 141 – Copper / Nero marquina (ceramic top) 142 – Titanium / Nero marquina (ceramic top)
Specification	Body/Front – particle board, inside melamine dark grey on the outsides MDF panels 6 mm, lacquered Top – ceramic stoneware with marble optic with 6 mm top 1 cut out 1 drilled tap hole 1 push and pull full extension drawer		
Weight	31,5 kg		
Accessories excl.	Space saving siphon, order no. 89424.0		

TECHNICAL DRAWINGS / S 1 : 20



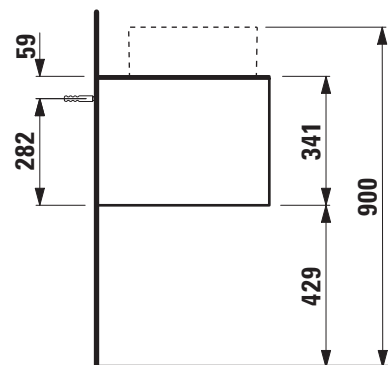
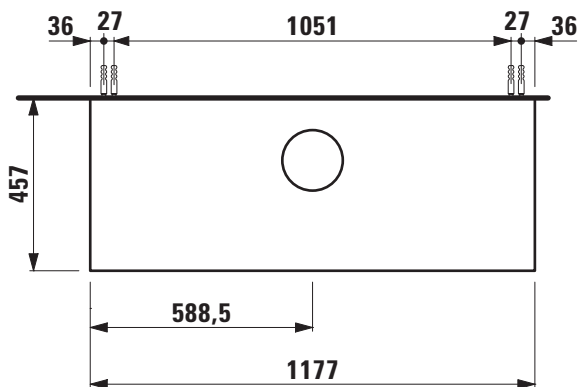
**Drawer element with cut out
40542.1**



TECHNICAL DATA

Order no.	40542.1 / 1 drawer	Accessories excl.	Space saving siphon, order no. 89424.0
Dimensions (WxHxD)	1177 x 341 x 457 mm	Mounting acc. incl.	Installation set for furniture, order no. 491114.0, 49301.5
Matching for	Washbasin bowl, order no. 81234.0, 81234.1, 81234.2, 81234.3	Mounting information	The walls installed on must meet the requirements of the furniture in terms of weight and the supplied fastening elements. If this cannot be guaranteed another method of installation needs to be chosen.
Specification	Body/Front – particle board, inside melamine dark grey on the outsides MDF panels 6 mm, lacquered Top – lacquered MDF or ceramic stoneware with marble optic with 6 mm top 1 cut out 1 push and pull full extension drawer	Colours	040 – Gold (laquered MDF top) 041 – Copper (laquered MDF top) 042 – Titanium (laquered MDF top) 140 – Gold / Nero marquina (ceramic top) 141 – Copper / Nero marquina (ceramic top) 142 – Titanium / Nero marquina (ceramic top)
Weight	with MDF top – 39,5 kg with ceramic top – 45,5 kg		

TECHNICAL DRAWINGS / S 1 : 20



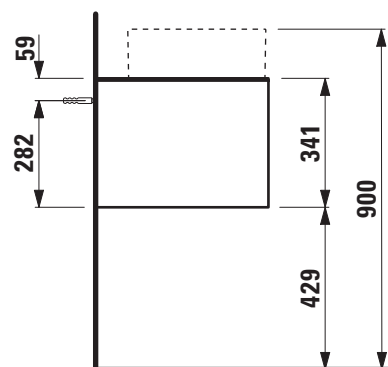
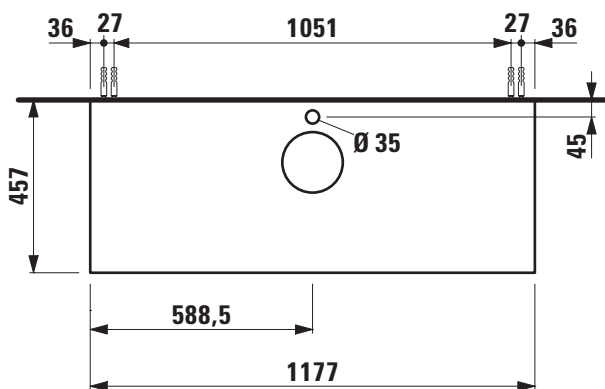
**Drawer element with ceramic top,
with cut out and drilled tap hole
40542.5**



TECHNICAL DATA

Order no.	40542.5 / 1 drawer	Accessories excl.	Space saving siphon, order no. 89424.0
Dimensions (WxHxD)	1177 x 341 x 457 mm	Mounting acc. incl.	Installation set for furniture, order no. 491114.0, 49301.5
Matching for	Washbasin bowl, order no. 81234.0, 81234.1, 81234.2, 81234.3	Mounting information	The walls installed on must meet the requirements of the furniture in terms of weight and the supplied fastening elements. If this cannot be guaranteed another method of installation needs to be chosen.
Specification	Body/Front – particle board, inside melamine dark grey on the outsides MDF panels 6 mm, lacquered Top – ceramic stoneware with marble optic with 6 mm top 1 cut out 1 drilled tap hole 1 push and pull full extension drawer	Colours	140 – Gold / Nero marquina (ceramic top) 141 – Copper / Nero marquina (ceramic top) 142 – Titanium / Nero marquina (ceramic top)
Weight	45,5 kg		

TECHNICAL DRAWINGS / S 1 : 20



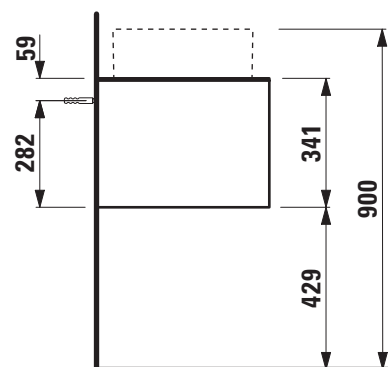
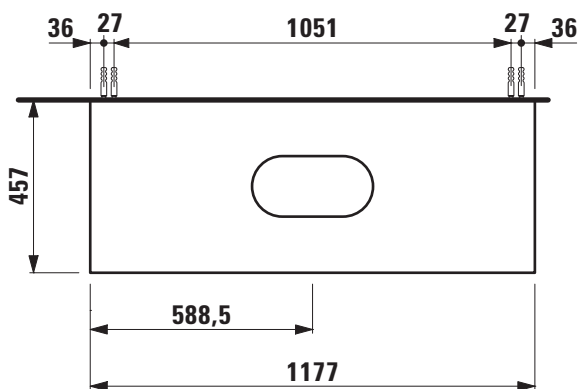
**Drawer element with cut out
40547.1**



TECHNICAL DATA

Order no.	40547.1 / 1 drawer	Mounting acc. incl.	Installation set for furniture, order no. 491114.0, 49301.5
Dimensions (WxHxD)	1177 x 341 x 457 mm	Mounting information	The walls installed on must meet the requirements of the furniture in terms of weight and the supplied fastening elements. If this cannot be guaranteed another method of installation needs to be chosen.
Matching for	Washbasin bowl, order no. 81234.8, 81234.9	Colours	040 – Gold (laquered MDF top) 041 – Copper (laquered MDF top) 042 – Titanium (laquered MDF top) 140 – Gold / Nero marquina (ceramic top) 141 – Copper / Nero marquina (ceramic top) 142 – Titanium / Nero marquina (ceramic top)
Specification	Body/Front – particle board, inside melamine dark grey on the outsides MDF panels 6 mm, lacquered Top – lacquered MDF or ceramic stoneware with marble optic with 6 mm top 1 cut out 1 push and pull full extension drawer		
Weight	with MDF top – 39,5 kg with ceramic top – 45,5 kg		
Accessories excl.	Space saving siphon, order no. 89424.0		

TECHNICAL DRAWINGS / S 1 : 20



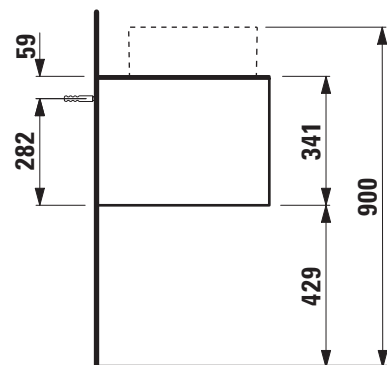
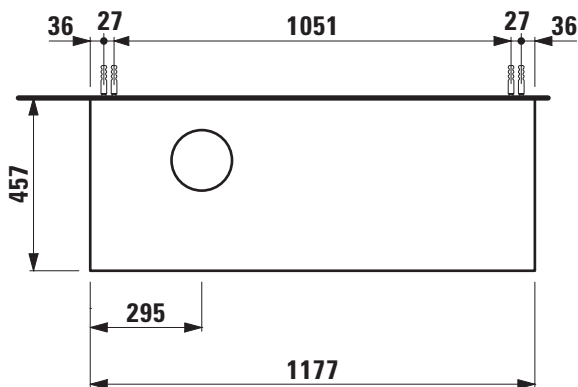
Drawer element with cut out left
40542.2



TECHNICAL DATA

Order no.	40542.2 / 1 drawer	Accessories excl.	Space saving siphon, order no. 89424.0
Dimensions (WxHxD)	1177 x 341 x 457 mm	Mounting acc. incl.	Installation set for furniture, order no. 491114.0, 49301.5
Matching for	Washbasin bowl, order no. 81234.0, 81234.1, 81234.2, 81234.3	Mounting information	The walls installed on must meet the requirements of the furniture in terms of weight and the supplied fastening elements. If this cannot be guaranteed another method of installation needs to be chosen.
Specification	Body/Front – particle board, inside melamine dark grey on the outsides MDF panels 6 mm, lacquered Top – lacquered MDF or ceramic stoneware with marble optic with 6 mm top 1 cut out left 1 push and pull full extension drawer	Colours	040 – Gold (laquered MDF top) 041 – Copper (laquered MDF top) 042 – Titanium (laquered MDF top) 140 – Gold / Nero marquina (ceramic top) 141 – Copper / Nero marquina (ceramic top) 142 – Titanium / Nero marquina (ceramic top)
Weight	with MDF top – 39,5 kg with ceramic top – 45,5 kg		

TECHNICAL DRAWINGS / S 1 : 20



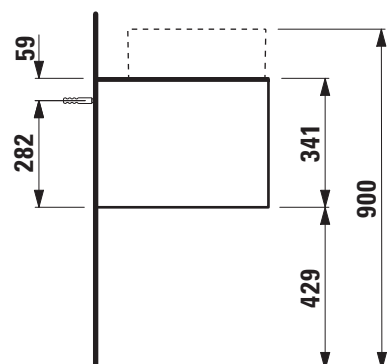
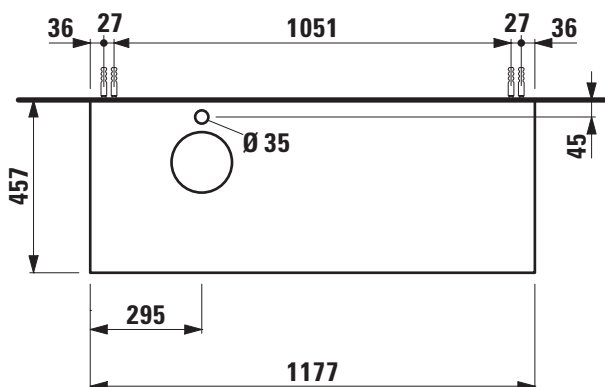
**Drawer element with ceramic top,
with cut out left and drilled tap hole
40542.6**



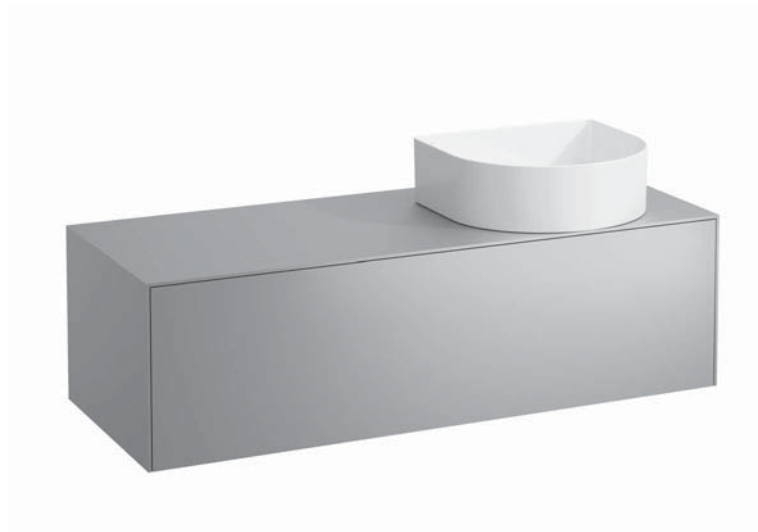
TECHNICAL DATA

Order no.	40542.6 / 1 drawer	Accessories excl.	Space saving siphon, order no. 89424.0
Dimensions (WxHxD)	1177 x 341 x 457 mm	Mounting acc. incl.	Installation set for furniture, order no. 491114.0, 49301.5
Matching for	Washbasin bowl, order no. 81234.0, 81234.1, 81234.2, 81234.3	Mounting information	The walls installed on must meet the requirements of the furniture in terms of weight and the supplied fastening elements. If this cannot be guaranteed another method of installation needs to be chosen.
Specification	Body/Front – particle board, inside melamine dark grey on the outsides MDF panels 6 mm, lacquered Top – ceramic stoneware with marble optic with 6 mm top 1 cut out left 1 drilled tap hole 1 push and pull full extension drawer	Colours	140 – Gold / Nero marquina (ceramic top) 141 – Copper / Nero marquina (ceramic top) 142 – Titanium / Nero marquina (ceramic top)
Weight	45,5 kg		

TECHNICAL DRAWINGS / S 1 : 20



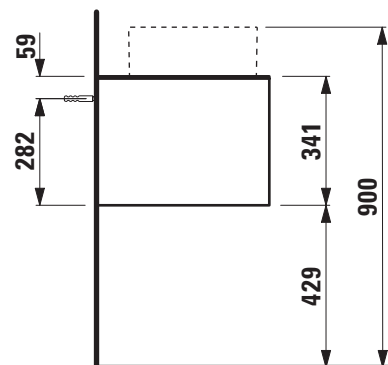
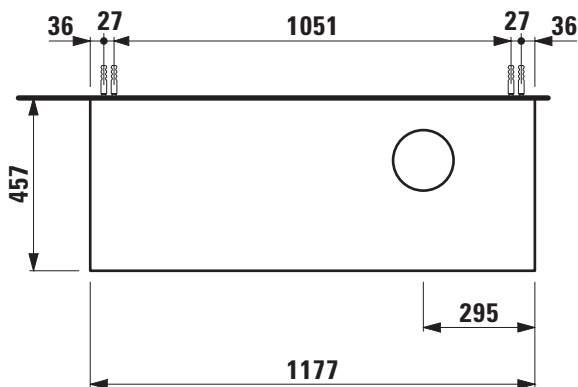
Drawer element with cut out right
40542.3



TECHNICAL DATA

Order no.	40542.3 / 1 drawer	Accessories excl.	Space saving siphon, order no. 89424.0
Dimensions (WxHxD)	1177 x 341 x 457 mm	Mounting acc. incl.	Installation set for furniture, order no. 491114.0, 49301.5
Matching for	Washbasin bowl, order no. 81234.0, 81234.1, 81234.2, 81234.3	Mounting information	The walls installed on must meet the requirements of the furniture in terms of weight and the supplied fastening elements. If this cannot be guaranteed another method of installation needs to be chosen.
Specification	Body/Front – particle board, inside melamine dark grey on the outsides MDF panels 6 mm, lacquered Top – lacquered MDF or ceramic stoneware with marble optic with 6 mm top 1 cut out right 1 push and pull full extension drawer	Colours	040 – Gold (laquered MDF top) 041 – Copper (laquered MDF top) 042 – Titanium (laquered MDF top) 140 – Gold / Nero marquina (ceramic top) 141 – Copper / Nero marquina (ceramic top) 142 – Titanium / Nero marquina (ceramic top)
Weight	with MDF top – 39,5 kg with ceramic top – 45,5 kg		

TECHNICAL DRAWINGS / S 1 : 20



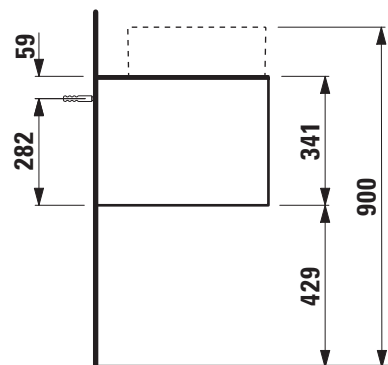
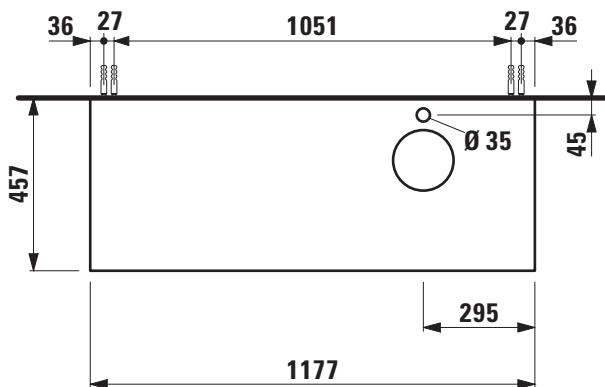
**Drawer element with ceramic top,
with cut out right and drilled tap hole
40542.7**



TECHNICAL DATA

Order no.	40542.7 / 1 drawer	Accessories excl.	Space saving siphon, order no. 89424.0
Dimensions (WxHxD)	1177 x 341 x 457 mm	Mounting acc. incl.	Installation set for furniture, order no. 491114.0, 49301.5
Matching for	Washbasin bowl, order no. 81234.0, 81234.1, 81234.2, 81234.3	Mounting information	The walls installed on must meet the requirements of the furniture in terms of weight and the supplied fastening elements. If this cannot be guaranteed another method of installation needs to be chosen.
Specification	Body/Front – particle board, inside melamine dark grey on the outsides MDF panels 6 mm, lacquered Top – ceramic stoneware with marble optic with 6 mm top 1 cut out right 1 drilled tap hole 1 push and pull full extension drawer	Colours	140 – Gold / Nero marquina (ceramic top) 141 – Copper / Nero marquina (ceramic top) 142 – Titanium / Nero marquina (ceramic top)
Weight	45,5 kg		

TECHNICAL DRAWINGS / S 1 : 20

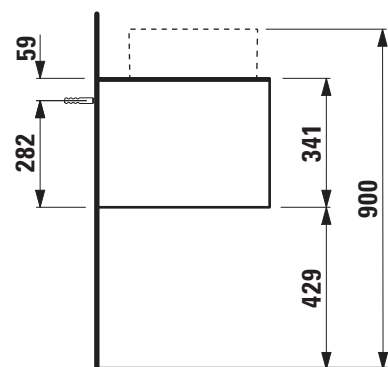
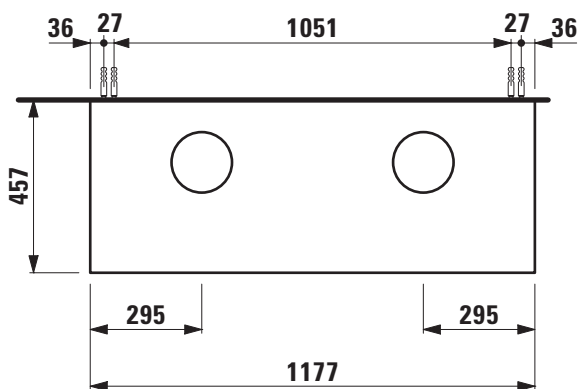




TECHNICAL DATA

Order no.	40542.4 / 1 drawer	Accessories excl.	Space saving siphon, order no. 89424.0
Dimensions (WxHxD)	1177 x 341 x 457 mm	Mounting acc. incl.	Installation set for furniture, order no. 491114.0, 49301.5
Matching for	Washbasin bowl, order no. 81234.0, 81234.1, 81234.2, 81234.3	Mounting information	The walls installed on must meet the requirements of the furniture in terms of weight and the supplied fastening elements. If this cannot be guaranteed another method of installation needs to be chosen.
Specification	Body/Front – particle board, inside melamine dark grey on the outsides MDF panels 6 mm, lacquered Top – lacquered MDF or ceramic stoneware with marble optic with 6 mm top 2 cut outs 1 push and pull full extension drawer	Colours	040 – Gold (laquered MDF top) 041 – Copper (laquered MDF top) 042 – Titanium (laquered MDF top) 140 – Gold / Nero marquina (ceramic top) 141 – Copper / Nero marquina (ceramic top) 142 – Titanium / Nero marquina (ceramic top)
Weight	with MDF top – 39,5 kg with ceramic top – 45,5 kg		

TECHNICAL DRAWINGS / S 1 : 20



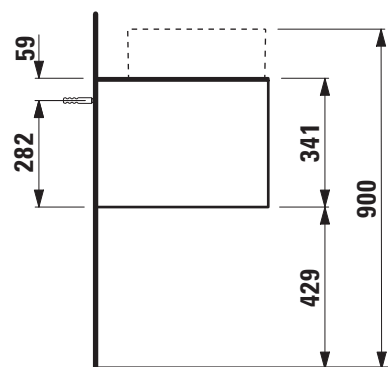
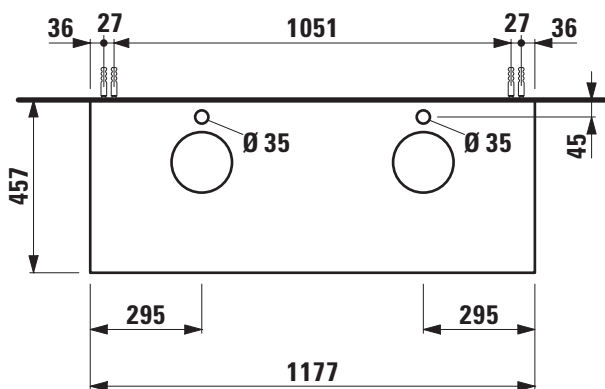
**Drawer element with ceramic top,
with 2 cut outs and 2 drilled tap hole
40542.8**



TECHNICAL DATA

Order no.	40542.8 / 1 drawer	Accessories excl.	Space saving siphon, order no. 89424.0
Dimensions (WxHxD)	1177 x 341 x 457 mm	Mounting acc. incl.	Installation set for furniture, order no. 491114.0, 49301.5
Matching for	Washbasin bowl, order no. 81234.0, 81234.1, 81234.2, 81234.3	Mounting information	The walls installed on must meet the requirements of the furniture in terms of weight and the supplied fastening elements. If this cannot be guaranteed another method of installation needs to be chosen.
Specification	Body/Front – particle board, inside melamine dark grey on the outsides MDF panels 6 mm, lacquered Top – ceramic stoneware with marble optic with 6 mm top 2 cut outs 2 drilled tap holes 1 push and pull full extension drawer	Colours	140 – Gold / Nero marquina (ceramic top) 141 – Copper / Nero marquina (ceramic top) 142 – Titanium / Nero marquina (ceramic top)
Weight	45,5 kg		

TECHNICAL DRAWINGS / S 1 : 20



Tall cabinet

40549.1

40549.2

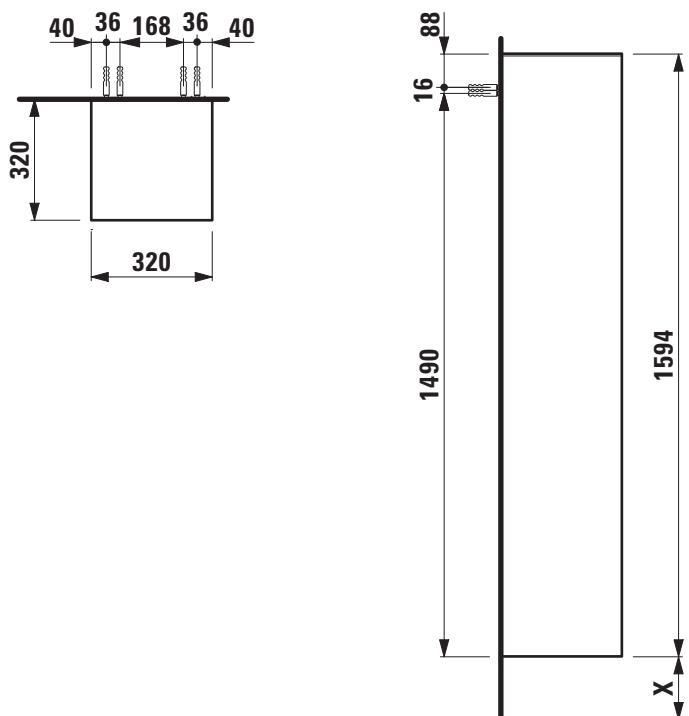


TECHNICAL DATA

Order no.	40549.1 / door hinge left 40549.2 / door hinge right
Dimensions (WxHxD)	320 x 1594 x 320 mm
Specification	Body/Front – particle board, inside melamine dark grey on the outsides MDF panels 6 mm, lacquered 1 push and pull door 1 fixed shelf melamine dark grey, centered 4 fixed tinted glass shelves
Weight	39,0 kg
Mounting acc. incl.	Installation set for furniture, order no. 49302.1

Mounting information	The walls installed on must meet the requirements of the furniture in terms of weight and the supplied fastening elements. If this cannot be guaranteed another method of installation needs to be chosen.
Colours	040 – Gold 041 – Copper 042 – Titanium

TECHNICAL DRAWINGS / S 1 : 20



X = The exact height must be set during installation.

IL BAGNO ALESSI ONE FURNITURE

IL BAGNO ALESSI ONE FURNITURE

Vanity unit

42402.3

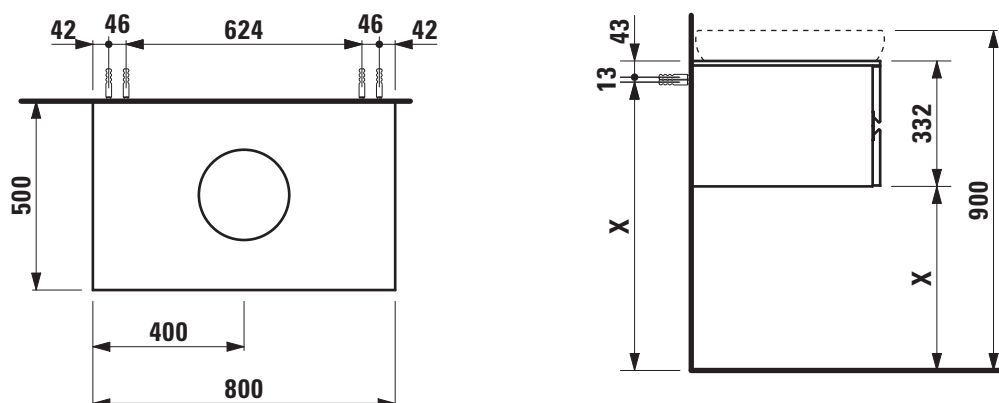
42403.3



TECHNICAL DATA

Order no.	42402.3, 42403.3 / 2 drawers	Mounting acc. incl.	Installation set, order no. 49240.7
Dimensions (WxHxD)	800 x 332 x 500 mm	Mounting information	The walls installed on must meet the requirements of the furniture in terms of weight and the supplied fastening elements. If this cannot be guaranteed another method of installation needs to be chosen.
Matching for	42402.3 – washbasin, order no. 81897.1 42403.3 – washbasin, order no. 81897.2	Colours	630 – Noce canaletto, surface lacquered real wood veneer 631 – White, surface lacquered with technical marble top
Specification	Body/Front – Surface lacquered real wood veneer or lacquered white with technical marble top Integrated handle in the front 1 cut out		
Weight	630 – 32,5 kg 631 – 38,5 kg		
Accessories excl.	Drawer separations small, order no. 49240.1 large, order no. 49240.2 Space saving siphon, order no. 89424.0		

TECHNICAL DRAWINGS / S 1 : 20



X = The exact height must be set during installation.

IL BAGNO ALESSI ONE FURNITURE

Vanity unit

42412.1

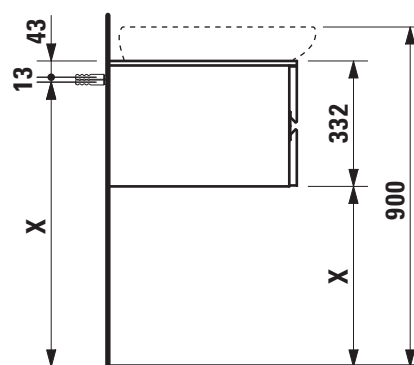
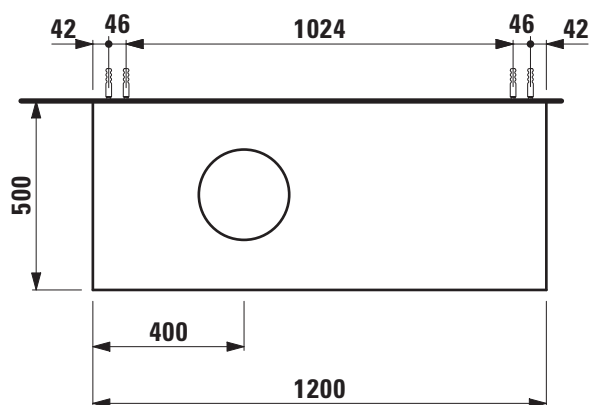
42413.1



TECHNICAL DATA

Order no.	42412.1, 42413.1 / 4 drawers	Mounting acc. incl.	Installation set, order no. 49240.7
Dimensions (WxHxD)	1200 x 332 x 500 mm	Mounting information	The walls installed on must meet the requirements of the furniture in terms of weight and the supplied fastening elements. If this cannot be guaranteed another method of installation needs to be chosen.
Matching for	42412.1 – washbasin, order no. 81897.1 42413.1 – washbasin, order no. 81897.2	Colours	630 – Noce canaletto, surface lacquered real wood veneer 631 – White, surface lacquered with technical marble top
Specification	Body/Front – Surface lacquered real wood veneer or lacquered white with technical marble top Integrated handle in the front 1 cut out left		
Weight	630 – 53,5 kg 631 – 63,5 kg		
Accessories excl.	Drawer separations small, order no. 49240.1 large, order no. 49240.2 Space saving siphon, order no. 89424.0		

TECHNICAL DRAWINGS / S 1 : 20



X = The exact height must be set during installation.

IL BAGNO ALESSI ONE FURNITURE

Vanity unit

42412.2

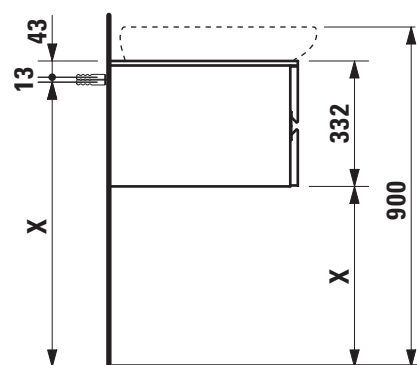
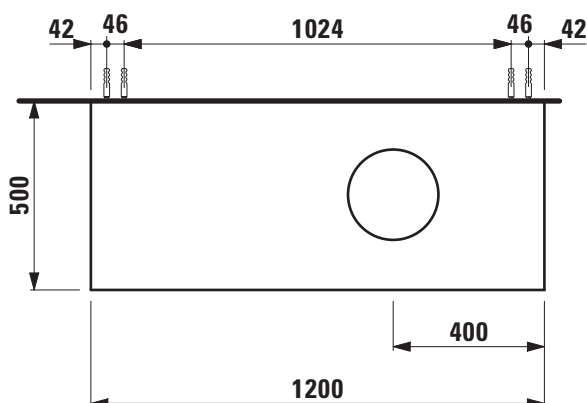
42413.2



TECHNICAL DATA

Order no.	42412.2, 42413.2 / 4 drawers	Mounting acc. incl.	Installation set, order no. 49240.7
Dimensions (WxHxD)	1200 x 332 x 500 mm	Mounting information	The walls installed on must meet the requirements of the furniture in terms of weight and the supplied fastening elements. If this cannot be guaranteed another method of installation needs to be chosen.
Matching for	42412.2 – washbasin, order no. 81897.1 42413.2 – washbasin, order no. 81897.2	Colours	630 – Noce canaletto, surface lacquered real wood veneer 631 – White, surface lacquered with technical marble top
Specification	Body/Front – Surface lacquered real wood veneer or lacquered white with technical marble top Integrated handle in the front 1 cut out right		
Weight	630 – 53,5 kg 631 – 63,5 kg		
Accessories excl.	Drawer separations small, order no. 49240.1 large, order no. 49240.2 Space saving siphon, order no. 89424.0		

TECHNICAL DRAWINGS / S 1 : 20



X = The exact height must be set during installation.

IL BAGNO ALESSI ONE FURNITURE

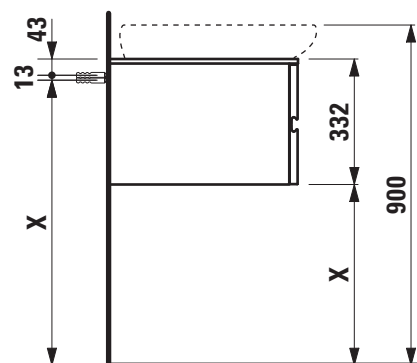
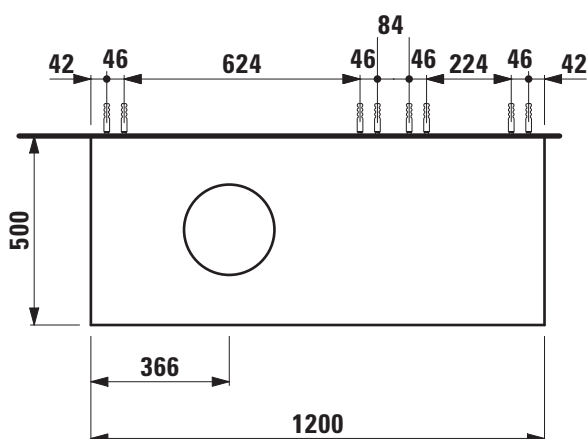
Vanity unit 42416.1



TECHNICAL DATA

Order no.	42416.1 / 4 drawers	Mounting acc. incl.	Installation set, order no. 49240.7
Dimensions (WxHxD)	1200 x 332 x 500 mm	Mounting information	The walls installed on must meet the requirements of the furniture in terms of weight and the supplied fastening elements. If this cannot be guaranteed another method of installation needs to be chosen.
Matching for	washbasin, order no. 81897.3 (only with shelf at right side)	Colours	630 – Noce canaletto, surface lacquered real wood veneer 631 – White, surface lacquered with technical marble top
Specification	Body/Front – Surface lacquered real wood veneer or lacquered white with technical marble top Integrated handle in the front 1 cut out left		
Weight	630 – 53,3 kg 631 – 63,5 kg		
Accessories excl.	Drawer separations small, order no. 49240.1 large, order no. 49240.2 Space saving siphon, order no. 89424.0		

TECHNICAL DRAWINGS / S 1 : 20



Only Il Bagno Alessi One 81897.3 with shelf at right side
X = The exact height must be set during installation.

IL BAGNO ALESSI ONE FURNITURE

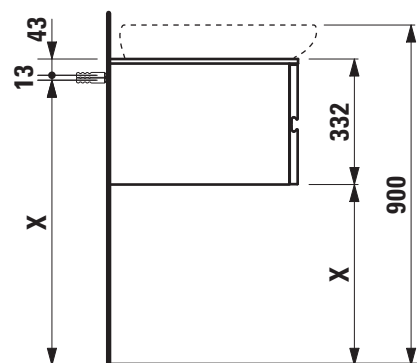
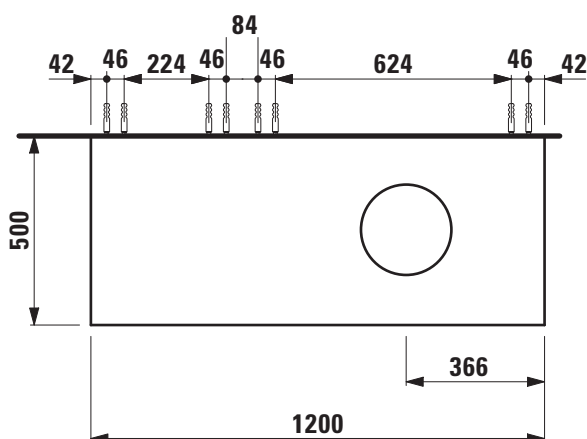
Vanity unit 42416.2



TECHNICAL DATA

Order no.	42416.2 / 4 drawers	Mounting acc. incl.	Installation set, order no. 49240.7
Dimensions (WxHxD)	1200 x 332 x 500 mm	Mounting information	The walls installed on must meet the requirements of the furniture in terms of weight and the supplied fastening elements. If this cannot be guaranteed another method of installation needs to be chosen.
Matching for	washbasin, order no. 81897.3 (only with shelf at left side)	Colours	630 – Noce canaletto, surface lacquered real wood veneer 631 – White, surface lacquered with technical marble top
Specification	Body/Front – Surface lacquered real wood veneer or lacquered white with technical marble top Integrated handle in the front 1 cut out right		
Weight	630 – 53,5 kg 631 – 63,5 kg		
Accessories excl.	Drawer separations small, order no. 49240.1 large, order no. 49240.2 Space saving siphon, order no. 89424.0		

TECHNICAL DRAWINGS / S 1 : 20



Only Il Bagno Alessi One 81897.3 with shelf at left side
X = The exact height must be set during installation.

IL BAGNO ALESSI ONE FURNITURE

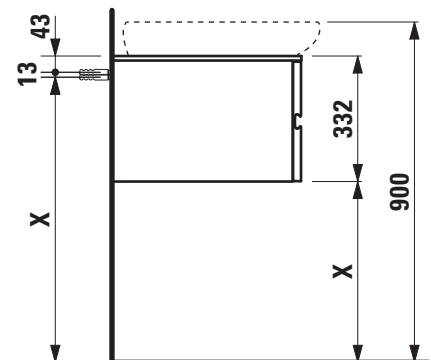
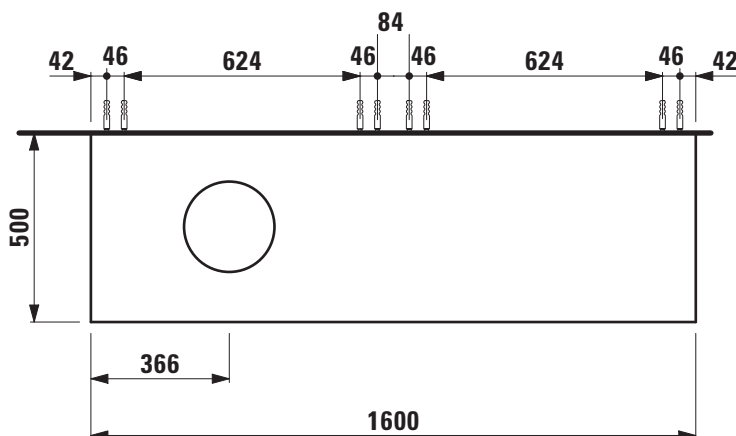
Vanity unit 42426.1



TECHNICAL DATA

Order no.	42426.1 / 4 drawers	Mounting acc. incl.	Installation set, order no. 49240.7
Dimensions (WxHxD)	1600 x 332 x 500 mm	Mounting information	The walls installed on must meet the requirements of the furniture in terms of weight and the supplied fastening elements. If this cannot be guaranteed another method of installation needs to be chosen.
Matching for	washbasin, order no. 81897.3 (only with shelf at right side)	Colours	630 – Noce canaletto, surface lacquered real wood veneer 631 – White, surface lacquered with technical marble top
Specification	Body/Front – Surface lacquered real wood veneer or lacquered white with technical marble top Integrated handle in the front 1 cut out left		
Weight	630 – 65,0 kg 631 – 77,0 kg		
Accessories excl.	Drawer separations large, order no. 49240.2 Space saving siphon, order no. 89424.0		

TECHNICAL DRAWINGS / S 1 : 20



Only Il Bagno Alessi One 81897.3 with shelf at right side
X = The exact height must be set during installation.

IL BAGNO ALESSI ONE FURNITURE

Vanity unit

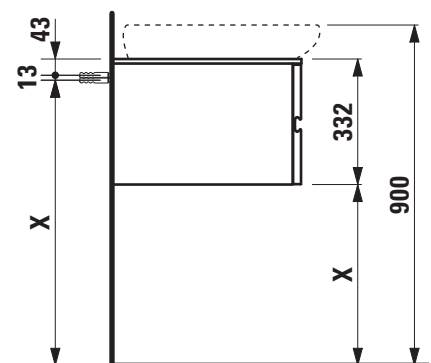
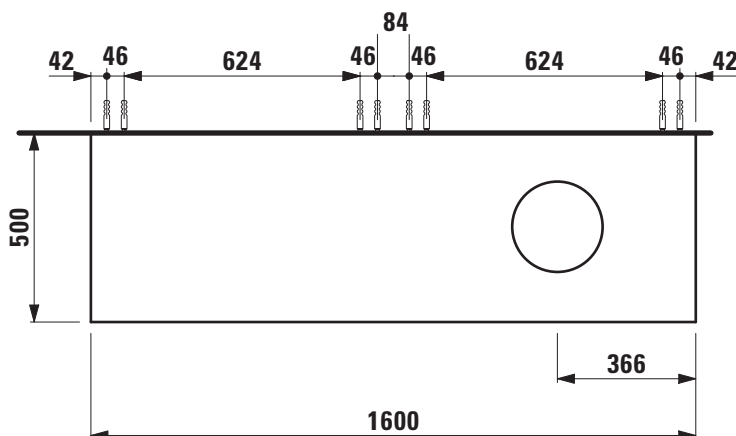
42426.2



TECHNICAL DATA

Order no.	42426.2 / 4 drawers	Mounting acc. incl.	Installation set, order no. 49240.7
Dimensions (WxHxD)	1600 x 332 x 500 mm	Mounting information	The walls installed on must meet the requirements of the furniture in terms of weight and the supplied fastening elements. If this cannot be guaranteed another method of installation needs to be chosen.
Matching for	washbasin, order no. 81897.3 (only with shelf at left side)	Colours	630 – Noce canaletto, surface lacquered real wood veneer 631 – White, surface lacquered with technical marble top
Specification	Body/Front – Surface lacquered real wood veneer or lacquered white with technical marble top Integrated handle in the front 1 cut out right		
Weight	630 – 65,0 kg 631 – 77,0 kg		
Accessories excl.	Drawer separations large, order no. 49240.2 Space saving siphon, order no. 89424.0		

TECHNICAL DRAWINGS / S 1 : 20



Only Il Bagno Alessi One 81897.3 with shelf at left side

X = The exact height must be set during installation.

IL BAGNO ALESSI ONE FURNITURE

Vanity unit

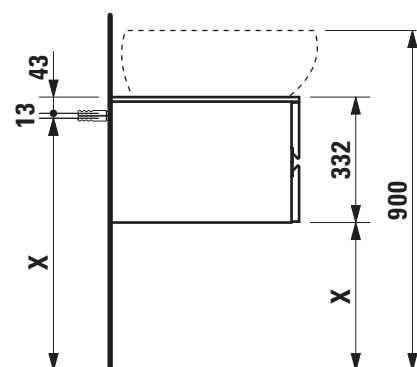
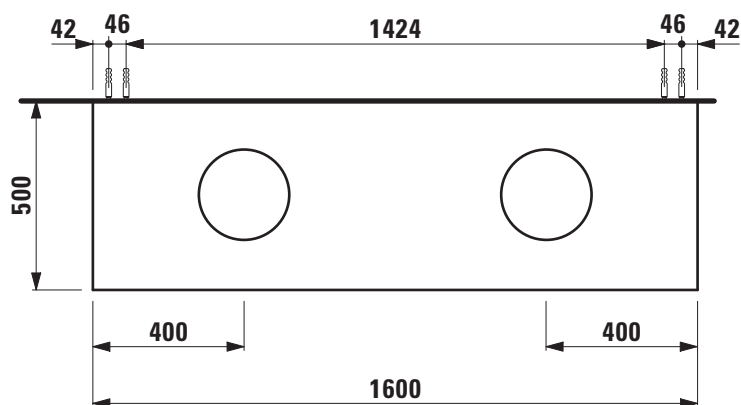
42422.4



TECHNICAL DATA

Order no.	42422.4 / 4 drawers	Mounting acc. incl.	Installation set, order no. 49240.7
Dimensions (WxHxD)	1600 x 332 x 500 mm	Mounting information	The walls installed on must meet the requirements of the furniture in terms of weight and the supplied fastening elements. If this cannot be guaranteed another method of installation needs to be chosen.
Matching for	42422.4 – 2x washbasin, order no. 81897.1	Colours	630 – Noce canaletto, surface lacquered real wood veneer 631 – White, surface lacquered with technical marble top
Specification	Body/Front – Surface lacquered real wood veneer or lacquered white with technical marble top Integrated handle in the front 2 cut outs, with siphon covers chrome		
Weight	630 – 65,0 kg 631 – 77,0 kg		
Accessories excl.	Drawer separations small, order no. 49240.1 large, order no. 49240.2 Space saving siphon, order no. 89424.0		

TECHNICAL DRAWINGS / S 1 : 20

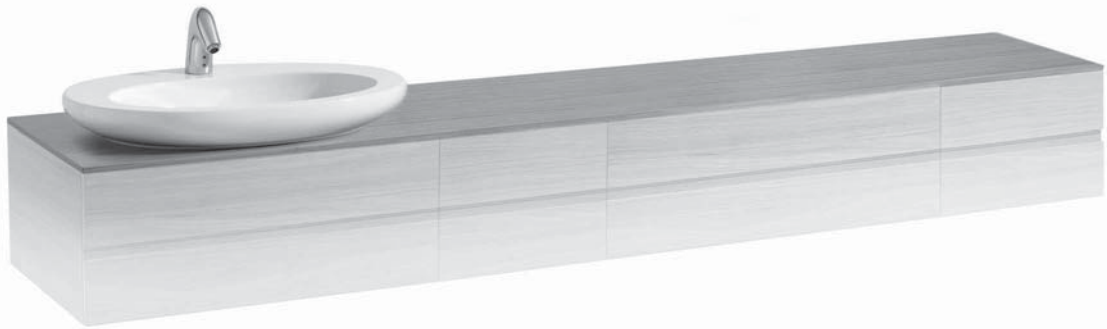


X = The exact height must be set during installation.

IL BAGNO ALESSI ONE FURNITURE

Top for vanity unit / with cut out left

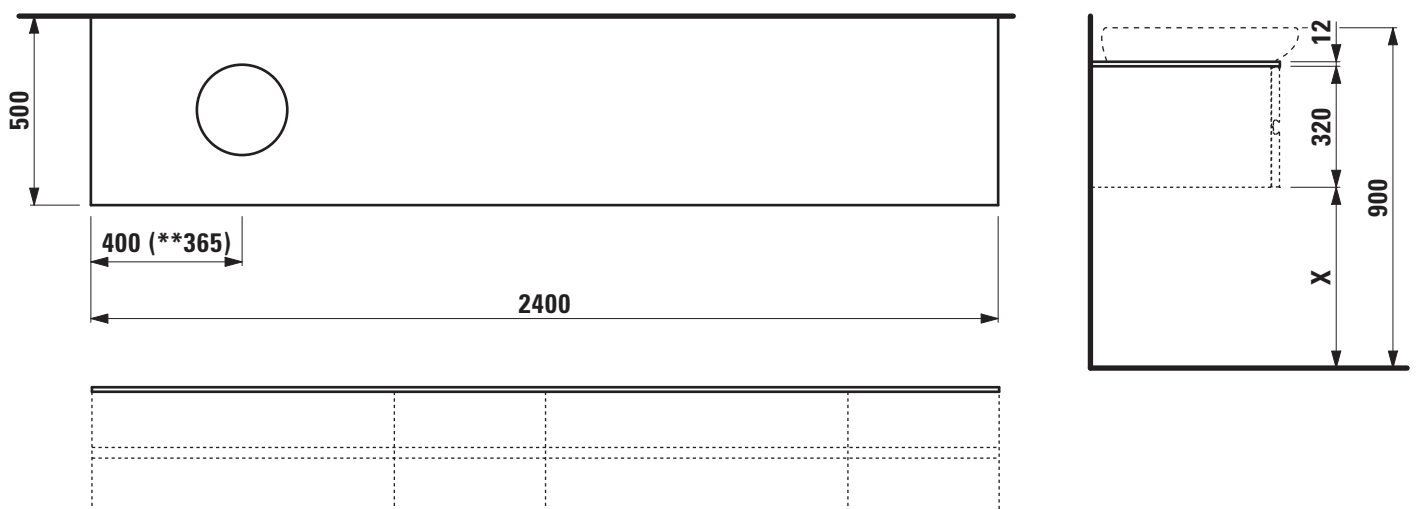
42460.2



TECHNICAL DATA

Order no.	42460.2 / cut out left	Accessories excl.	Vanity unit without top, 800 mm element at left side and 400 mm element at right side order no. 42417.0
Dimensions (WxHxD)	2400 x 12 x 500 mm	Colours	630 – Noce canaletto, surface lacquered real wood veneer 631 – White, technical marble top
Matching for	2x vanity unit without top 1200 mm, order no. 42417.0 1x washbasin, order no. 81897.1 (vanity unit combination only with 7 drawers), 81897.2, 81897.3 (with shelf at right side)		
Specification	Body – Surface lacquered real wood veneer or technical marble 1 cut out left		
Weight	630 – 62,0 kg 631 – 80,0 kg		

TECHNICAL DRAWINGS / S 1 : 20



** = Only Il Bagno Alessi One 81897.3 with shelf at right side
X = The exact height must be set during installation.

IL BAGNO ALESSI ONE FURNITURE

Top for vanity unit / with cut out right

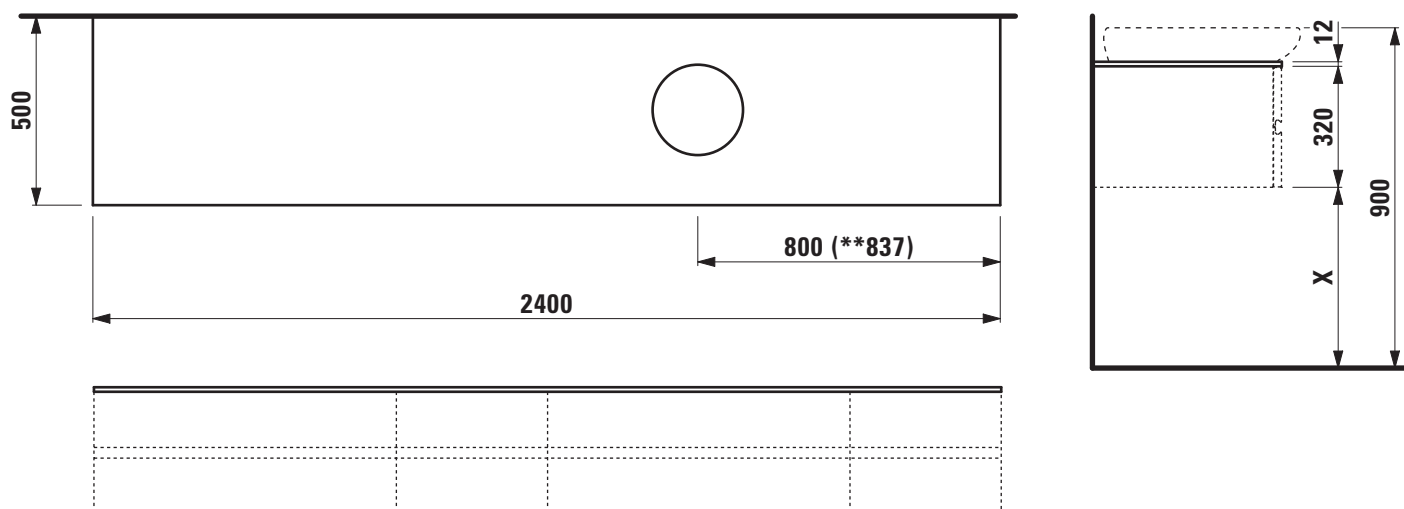
42460.3



TECHNICAL DATA

Order no.	42460.3 / cut out right	Accessories excl.	Vanity unit without top, 800 mm element at left side and 400 mm element at right side order no. 42417.0
Dimensions (WxHxD)	2400 x 12 x 500 mm	Colours	630 – Noce canaletto, surface lacquered real wood veneer 631 – White, technical marble top
Matching for	2x vanity unit without top 1200 mm, order no. 42417.0 1x washbasin, order no. 81897.1 (vanity unit combination only with 7 drawers), 81897.2, 81897.3 (with shelf at right side)		
Specification	Body – Surface lacquered real wood veneer or technical marble 1 cut out right		
Weight	630 – 62,0 kg 631 – 80,0 kg		

TECHNICAL DRAWINGS / S 1 : 20



** = Only Il Bagno Alessi One 81897.3 with shelf at right side
X = The exact height must be set during installation.

IL BAGNO ALESSI ONE FURNITURE

Top for vanity unit / with cut out left and right

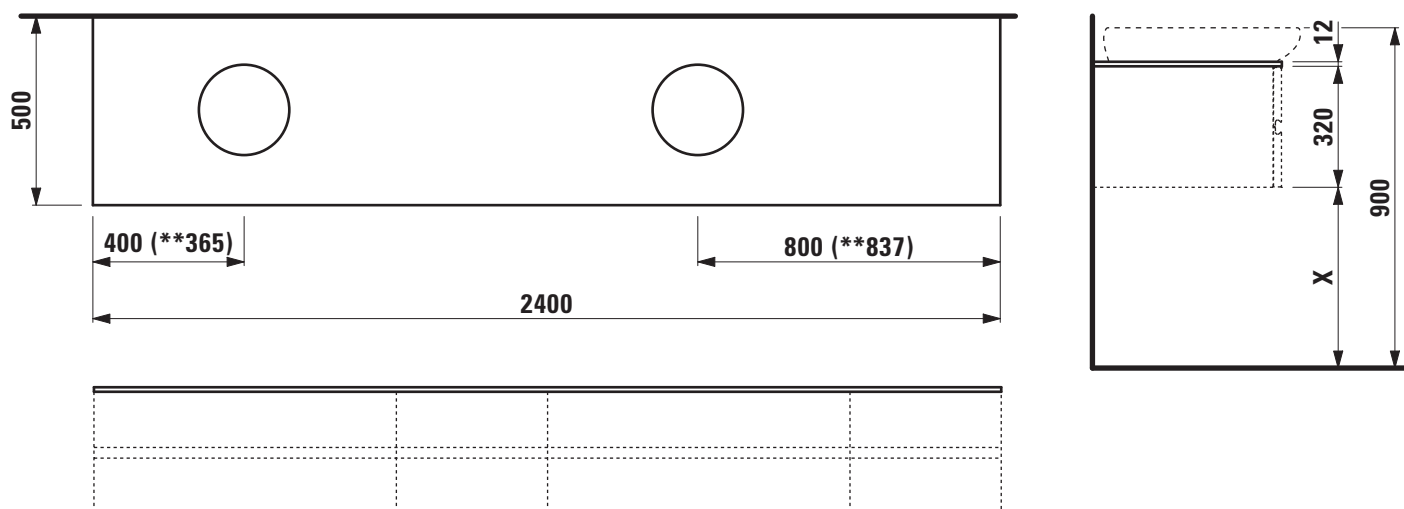
42460.4



TECHNICAL DATA

Order no.	42460.4 / cut out left and right	Accessories excl.	Vanity unit without top, 800 mm element at left side and 400 mm element at right side order no. 42417.0
Dimensions (WxHxD)	2400 x 12 x 500 mm	Colours	630 – Noce canaletto, surface lacquered real wood veneer 631 – White, technical marble top
Matching for	2x vanity unit without top 1200 mm, order no. 42417.0 2x washbasin, order no. 81897.1 (vanity unit combination only with 6 drawers), 81897.2, 81897.3 (with shelf at right side)		
Specification	Body – Surface lacquered real wood veneer or technical marble 1 cut out left and right		
Weight	630 – 62,0 kg 631 – 80,0 kg		

TECHNICAL DRAWINGS / S 1 : 20



** = Only Il Bagno Alessi One 81897.3 with shelf at right side
X = The exact height must be set during installation.

IL BAGNO ALESSI ONE FURNITURE

Top for vanity unit / with cut out left

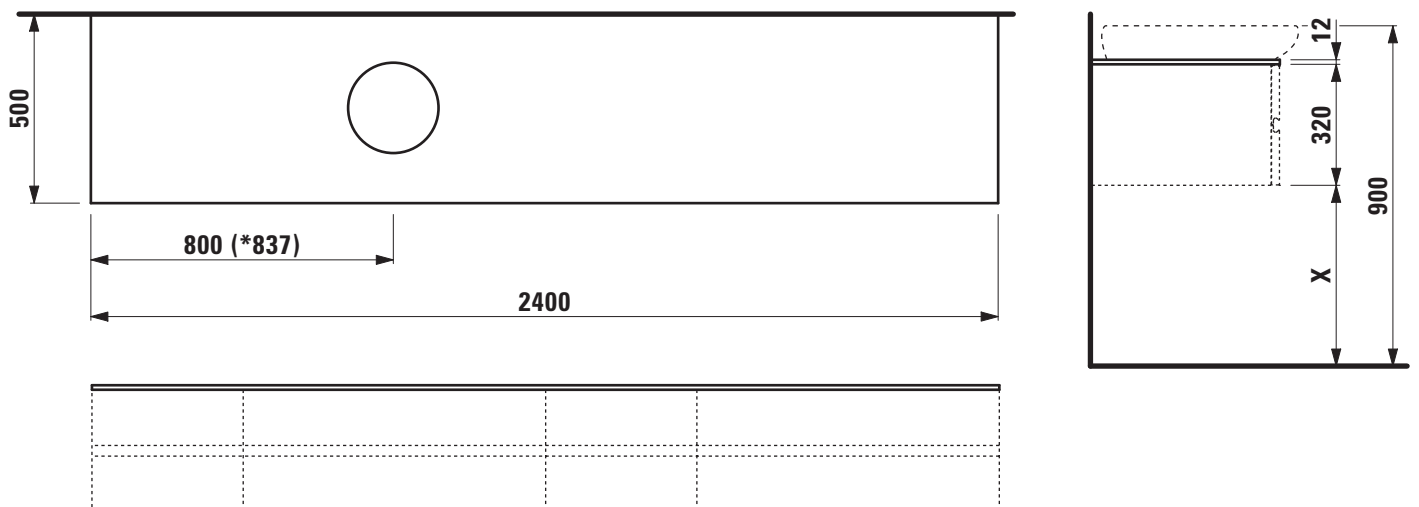
42461.2



TECHNICAL DATA

Order no.	42461.2 / cut out left	Accessories excl.	Vanity unit without top, 800 mm element at right side and 400 mm element at left side order no. 42418.0
Dimensions (WxHxD)	2400 x 12 x 500 mm	Colours	630 – Noce canaletto, surface lacquered real wood veneer 631 – White, technical marble top
Matching for	2x vanity unit without top 1200 mm, order no. 42418.0 1x washbasin, order no. 81897.1 (vanity unit combination only with 7 drawers), 81897.2, 81897.3 (with shelf at left side)		
Specification	Body – Surface lacquered real wood veneer or technical marble 1 cut out left		
Weight	630 – 62,0 kg 631 – 80,0 kg		

TECHNICAL DRAWINGS / S 1 : 20



* = Only Il Bagno Alessi One 81897.3 with shelf at left side
X = The exact height must be set during installation.

IL BAGNO ALESSI ONE FURNITURE

Top for vanity unit / with cut out right

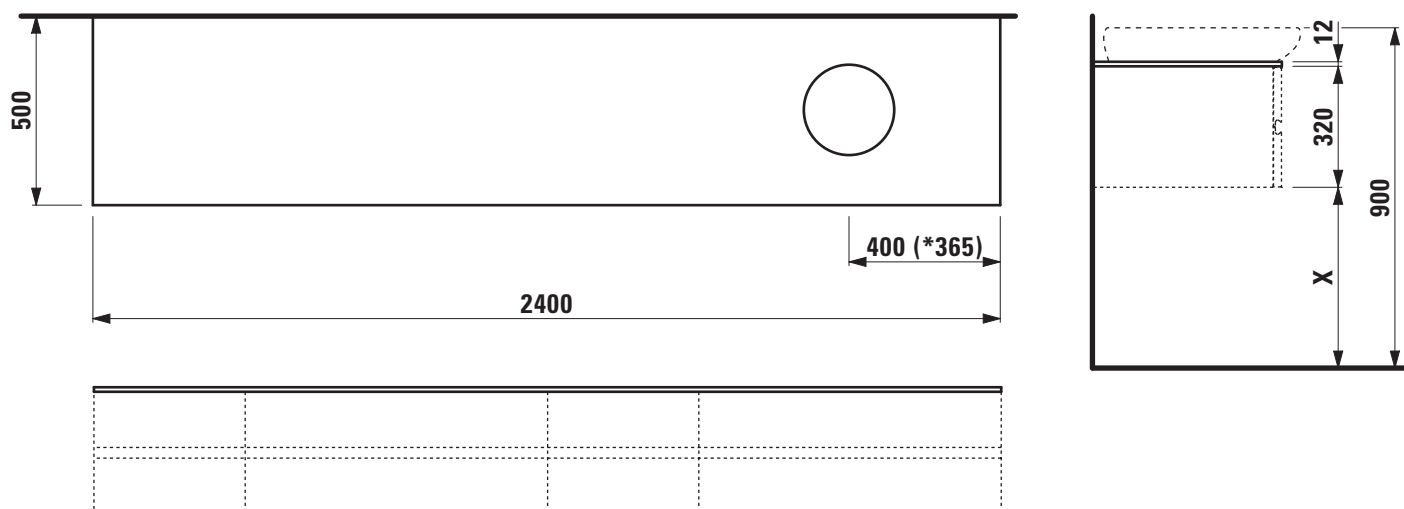
42461.3



TECHNICAL DATA

Order no.	42461.3 / cut out right	Accessories excl.	Vanity unit without top, 800 mm element at right side and 400 mm element at left side order no. 42418.0
Dimensions (WxHxD)	2400 x 12 x 500 mm	Colours	630 – Noce canaletto, surface lacquered real wood veneer 631 – White, technical marble top
Matching for	2x vanity unit without top 1200 mm, order no. 42418.0 1x washbasin, order no. 81897.1 (vanity unit combination only with 7 drawers), 81897.2, 81897.3 (with shelf at left side)		
Specification	Body – Surface lacquered real wood veneer or technical marble 1 cut out right		
Weight	630 – 62,0 kg 631 – 80,0 kg		

TECHNICAL DRAWINGS / S 1 : 20



* = Only Il Bagno Alessi One 81897.3 with shelf at left side
X = The exact height must be set during installation.

IL BAGNO ALESSI ONE FURNITURE

Top for vanity unit / with cut out left and right

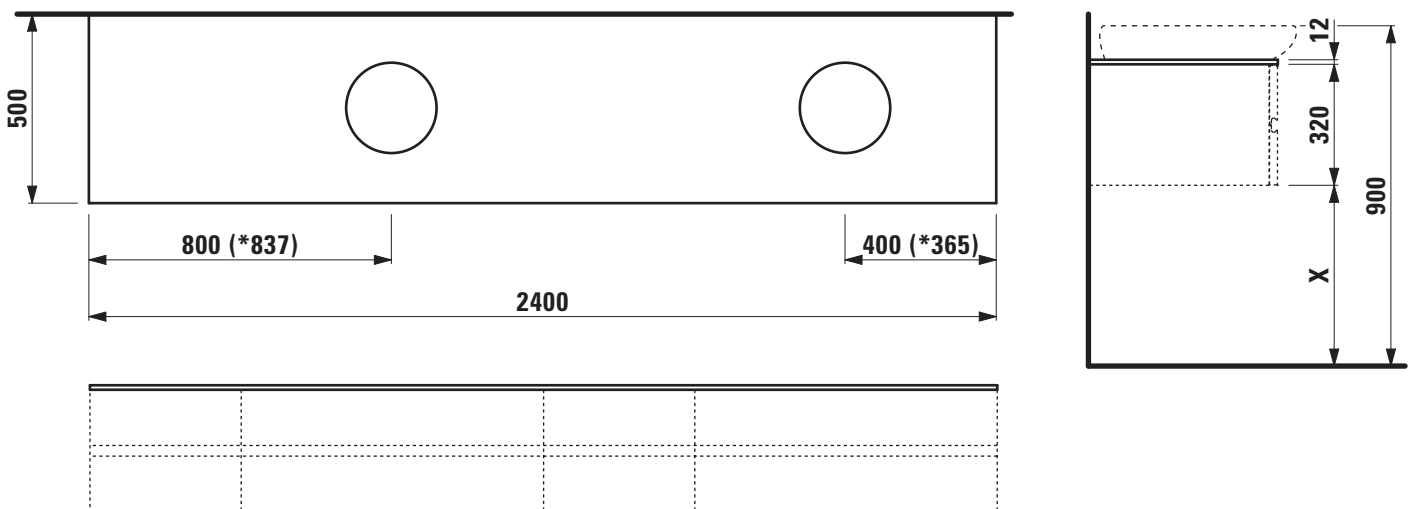
42461.4



TECHNICAL DATA

Order no.	42461.4 / cut out left and right	Accessories excl.	Vanity unit without top, 800 mm element at right side and 400 mm element at left side order no. 42418.0
Dimensions (WxHxD)	2400 x 12 x 500 mm	Colours	630 – Noce canaletto, surface lacquered real wood veneer 631 – White, technical marble top
Matching for	2x vanity unit without top 1200 mm, order no. 42418.0 2x washbasin, order no. 81897.1 (vanity unit combination only with 6 drawers), 81897.2, 81897.3 (with shelf at left side)		
Specification	Body – Surface lacquered real wood veneer or technical marble 1 cut out left and right		
Weight	630 – 62,0 kg 631 – 80,0 kg		

TECHNICAL DRAWINGS / S 1 : 20



* = Only Il Bagno Alessi One 81897.3 with shelf at left side
X = The exact height must be set during installation.

IL BAGNO ALESSI ONE FURNITURE

Top for vanity unit / with cut out left and right

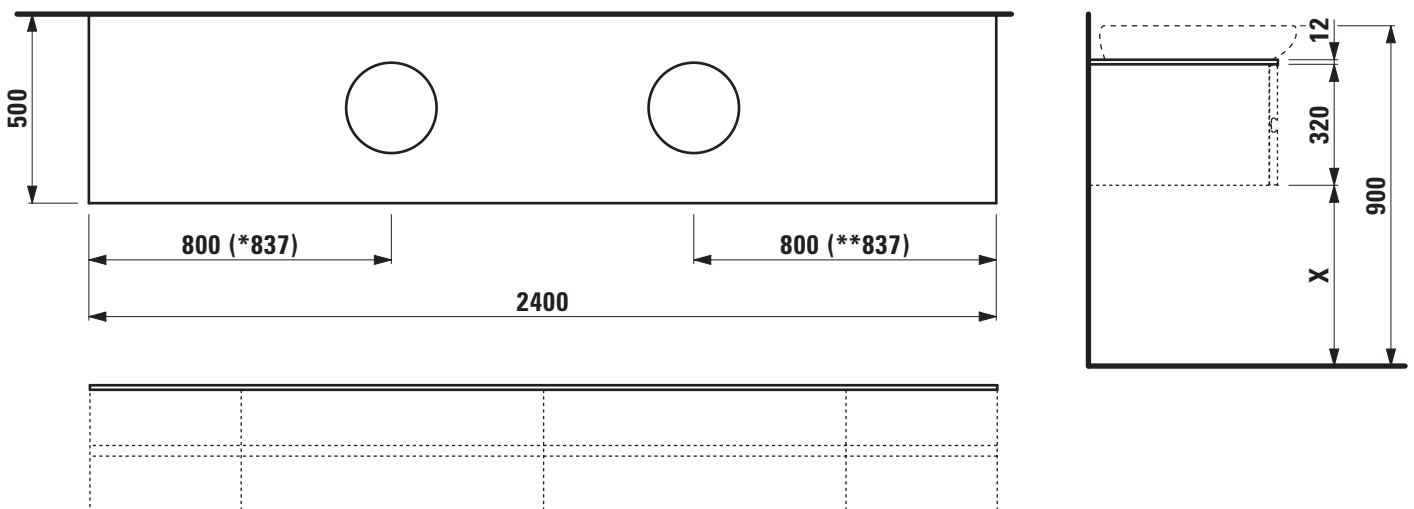
42462.4



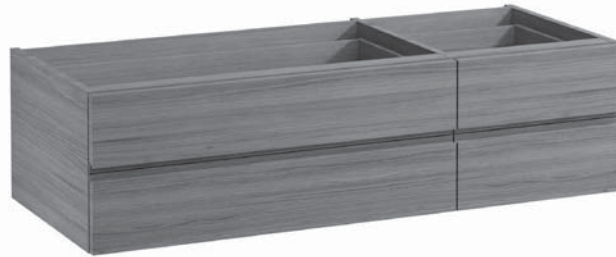
TECHNICAL DATA

Order no.	42462.4 / cut out left and right	Accessories excl.	Vanity unit without top, 800 mm element at right side and 400 mm element at left side order no. 42418.0
Dimensions (WxHxD)	2400 x 12 x 500 mm		Vanity unit without top, 800 mm element at left side and 400 mm element at right side order no. 42417.0
Matching for	vanity unit without top 1200 mm, order no. 42417.0, order no. 42418.0 2x washbasin, order no. 81897.1 (vanity unit combination only with 6 drawers), 81897.2, 81897.3 (1x with shelf at left side and 1x shelf at right side)	Colours	630 – Noce canaletto, surface lacquered real wood veneer 631 – White, technical marble top
Specification	Body – Surface lacquered real wood veneer or technical marble 1 cut out left and right		
Weight	630 – 62,0 kg 631 – 80,0 kg		

TECHNICAL DRAWINGS / S 1 : 20



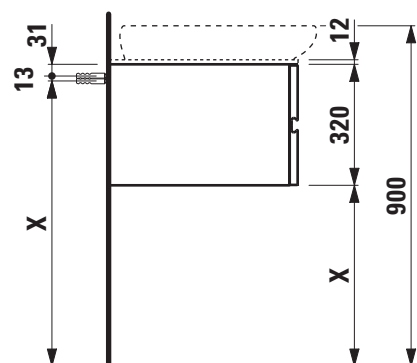
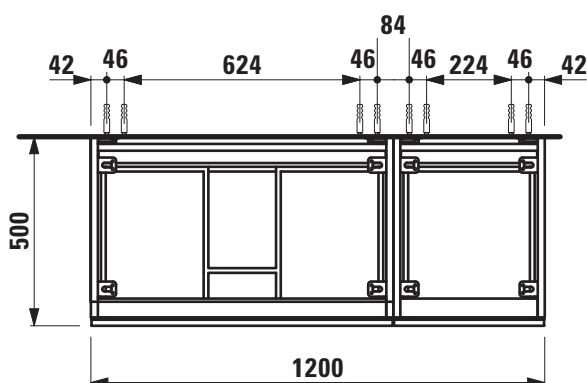
* = Only Il Bagno Alessi One 81897.3 with shelf at left side / ** = Only Il Bagno Alessi One 81897.3 with shelf at right side
X = The exact height must be set during installation.



TECHNICAL DATA

Order no.	42417.0 / 4 drawers	Accessories excl.	Drawer separations small, order no. 49240.1 large, order no. 49240.2 Space saving siphon, order no. 89424.0
Dimensions (WxHxD)	1200 x 320 x 500 mm	Mounting acc. incl.	Installation set, order no. 49240.7
Matching for	top for vanity unit 2400 mm, order no. 42460.2, 42460.3, 42460.4, 42462.4	Mounting information	The walls installed on must meet the requirements of the furniture in terms of weight and the supplied fastening elements. If this cannot be guaranteed another method of installation needs to be chosen.
Specification	Body/Front – Surface lacquered real wood veneer or lacquered white Integrated handle in the front without top drawer element at the left side 800 mm, drawer element at the right side 400 mm	Colours	630 – Noce canaletto, surface lacquered real wood veneer 631 – White, surface lacquered
Weight	630 – 47,5 kg 631 – 48,5 kg		

TECHNICAL DRAWINGS / S 1 : 20



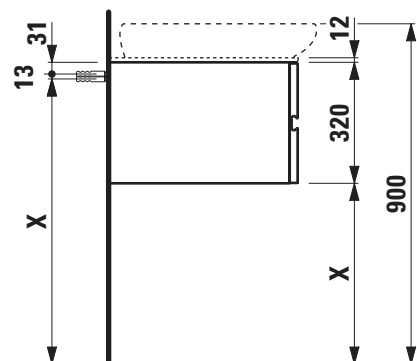
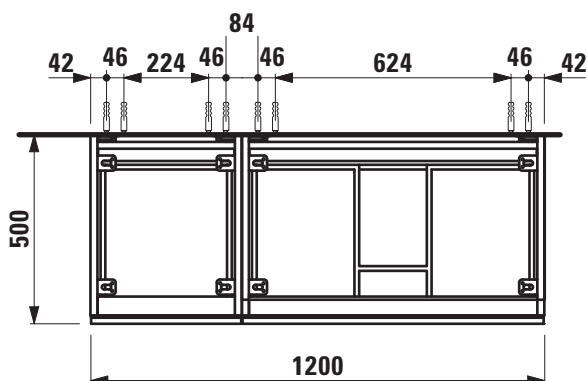
X = The exact height must be set during installation.



TECHNICAL DATA

Order no.	42418.0 / 4 drawers	Accessories excl.	Drawer separations small, order no. 49240.1 large, order no. 49240.2 Space saving siphon, order no. 89424.0
Dimensions (WxHxD)	1200 x 320 x 500 mm	Mounting acc. incl.	Installation set, order no. 49240.7
Matching for	top for vanity unit 2400 mm, order no. 42461.2, 42461.3, 42461.4, 42462.4	Mounting information	The walls installed on must meet the requirements of the furniture in terms of weight and the supplied fastening elements. If this cannot be guaranteed another method of installation needs to be chosen.
Specification	Body/Front – Surface lacquered real wood veneer or lacquered white Integrated handle in the front without top drawer element at the left side 400 mm, drawer element at the right side 800 mm	Colours	630 – Noce canaletto, surface lacquered real wood veneer 631 – White, surface lacquered
Weight	630 – 47,5 kg 631 – 48,5 kg		

TECHNICAL DRAWINGS / S 1 : 20



X = The exact height must be set during installation.

IL BAGNO ALESSI ONE FURNITURE

Countertop vanity unit

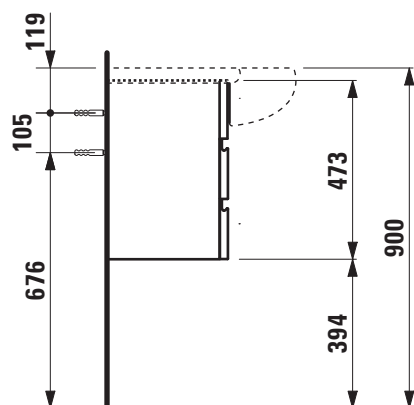
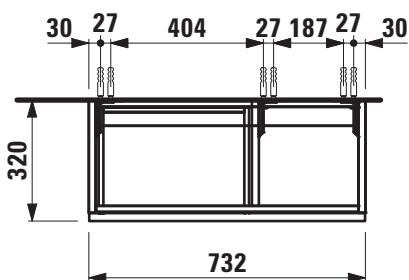
42445.0



TECHNICAL DATA

Order no.	42445.0 / 2 drawers	Mounting acc. incl.	Installation set, order no. 49260.5
Dimensions (WxHxD)	732 x 473 x 320 mm	Mounting information	The walls installed on must meet the requirements of the furniture in terms of weight and the supplied fastening elements. If this cannot be guaranteed another method of installation needs to be chosen.
Matching for	Washbasin, order no. 81497.6	Colours	630 – Noce canaletto, surface lacquered real wood veneer 631 – White, surface lacquered
Specification	Body/Front – Surface lacquered real wood veneer or lacquered white Integrated handle in the front		
Weight	630 – 21,5 kg 631 – 21,5 kg		

TECHNICAL DRAWINGS / S 1 : 20



IL BAGNO ALESSI ONE FURNITURE

Countertop vanity unit

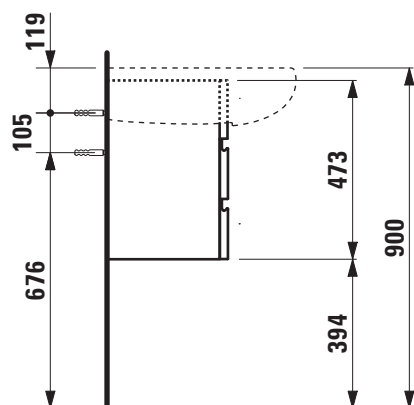
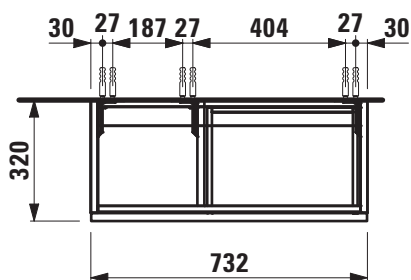
42447.0



TECHNICAL DATA

Order no.	42447.0 / 2 drawers	Mounting acc. incl.	Installation set, order no. 49260.5
Dimensions (WxHxD)	732 x 473 x 320 mm	Mounting information	The walls installed on must meet the requirements of the furniture in terms of weight and the supplied fastening elements. If this cannot be guaranteed another method of installation needs to be chosen.
Matching for	Washbasin, order no. 81497.5	Colours	630 – Noce canaletto, surface lacquered real wood veneer 631 – White, surface lacquered
Specification	Body/Front – Surface lacquered real wood veneer or lacquered white Integrated handle in the front		
Weight	630 – 21,5 kg 631 – 21,5 kg		

TECHNICAL DRAWINGS / S 1 : 20



IL BAGNO ALESSI ONE FURNITURE

Countertop vanity unit

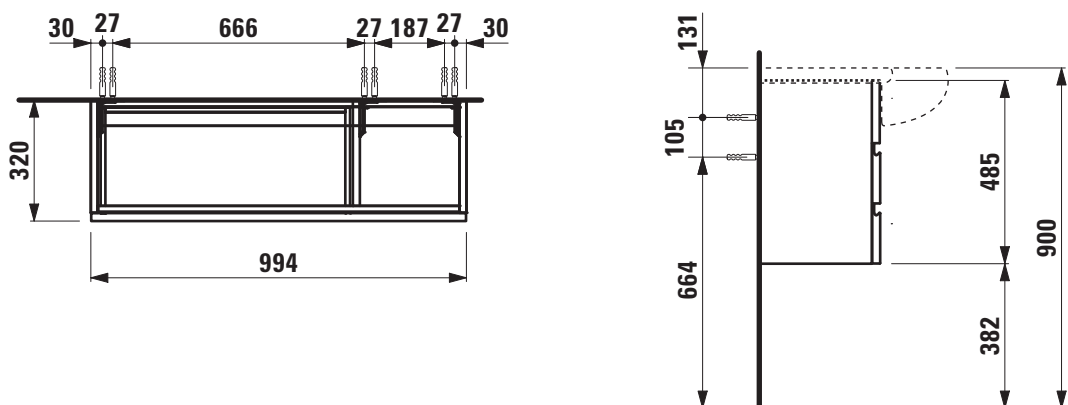
42450.0



TECHNICAL DATA

Order no.	42450.0 / 2 drawers	Mounting acc. incl.	Installation set, order no. 49260.5
Dimensions (WxHxD)	994 x 485 x 320 mm	Mounting information	The walls installed on must meet the requirements of the furniture in terms of weight and the supplied fastening elements. If this cannot be guaranteed another method of installation needs to be chosen.
Matching for	Washbasin, order no. 81497.4	Colours	630 – Noce canaletto, surface lacquered real wood veneer 631 – White, surface lacquered
Specification	Body/Front – Surface lacquered real wood veneer or lacquered white Integrated handle in the front		
Weight	630 – 27,5 kg 631 – 27,5 kg		

TECHNICAL DRAWINGS / S 1 : 20



IL BAGNO ALESSI ONE FURNITURE

Countertop vanity unit

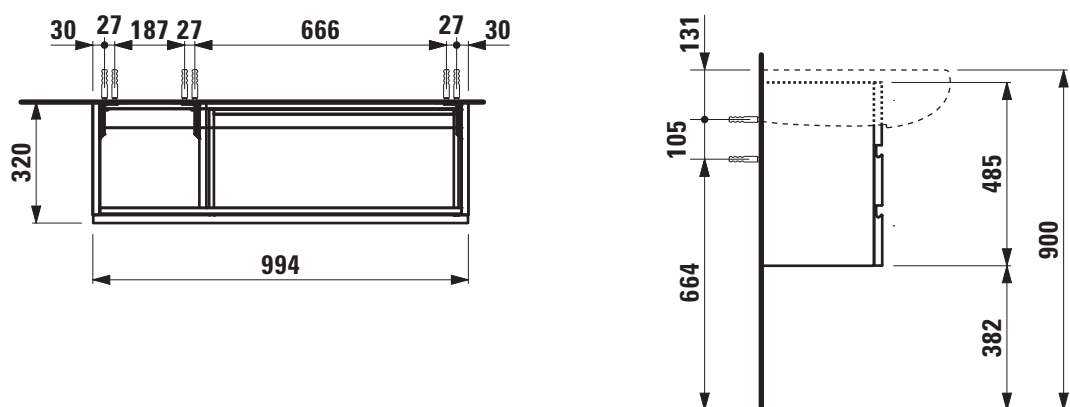
42452.0



TECHNICAL DATA

Order no.	42452.0 / 2 drawers	Mounting acc. incl.	Installation set, order no. 49260.5
Dimensions (WxHxD)	994 x 485 x 320 mm	Mounting information	The walls installed on must meet the requirements of the furniture in terms of weight and the supplied fastening elements. If this cannot be guaranteed another method of installation needs to be chosen.
Matching for	Washbasin, order no. 81497.3	Colours	630 – Noce canaletto, surface lacquered real wood veneer 631 – White, surface lacquered
Specification	Body/Front – Surface lacquered real wood veneer or lacquered white Integrated handle in the front		
Weight	630 – 27,5 kg 631 – 27,5 kg		

TECHNICAL DRAWINGS / S 1 : 20



IL BAGNO ALESSI ONE FURNITURE

Countertop vanity unit

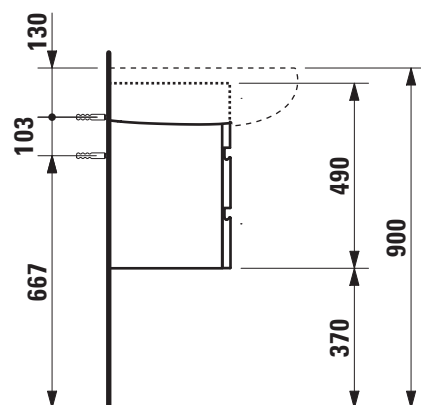
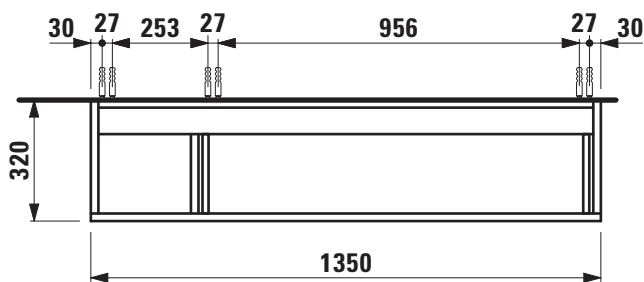
42436.0



TECHNICAL DATA

Order no.	42436.0 / 2 drawers	Mounting acc. incl.	Installation set, order no. 49260.5
Dimensions (WxHxD)	1350 x 490 x 320 mm	Mounting information	The walls installed on must meet the requirements of the furniture in terms of weight and the supplied fastening elements. If this cannot be guaranteed another method of installation needs to be chosen.
Matching for	Washbasin, order no. 81497.1	Colours	630 – Noce canaletto, surface lacquered real wood veneer 631 – White, surface lacquered
Specification	Body/Front – Surface lacquered real wood veneer or lacquered white Integrated handle in the front		
Weight	630 – 32,0 kg 631 – 35,0 kg		

TECHNICAL DRAWINGS / S 1 : 20



IL BAGNO ALESSI ONE FURNITURE

Tall cabinet

45801.1 / 45802.1

45801.2 / 45802.2

45803.1 / 45804.1

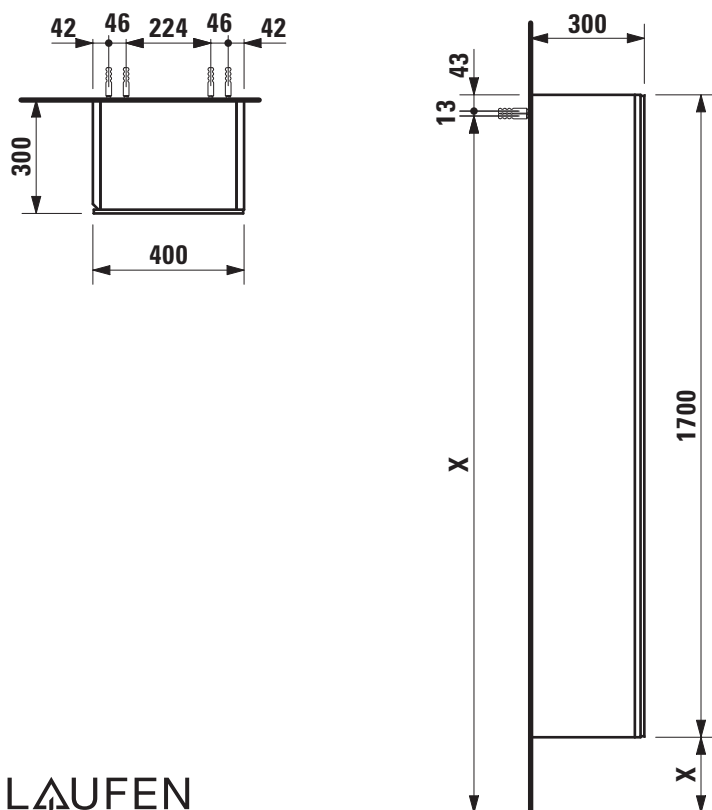
45803.2 / 45804.2



TECHNICAL DATA

Order no.	45801.1, 45801.2, 45803.1, 45803.2 / door hinge left 45802.1, 45802.2, 45804.1, 45804.2 / door hinge right	Weight	45801.1, 45802.1 630 – 40,0 kg / 631 – 44,0 kg 45803.1, 45804.1 630 – 42,0 kg / 631 – 46,0 kg 45801.2, 45802.2, 45803.2, 45804.2 630 – 43,0 kg / 631 – 47,0 kg
Dimensions (WxHxD)	400 x 1700 x 300 mm	Mounting acc. incl.	Installation set, order no. 49664.0
Specification	Body – Surface real wood veneer or lacquered 1 door mirrored inside and out	Mounting information	The walls installed on must meet the requirements of the furniture in terms of weight and the supplied fastening elements. If this cannot be guaranteed another method of installation needs to be chosen.
Special specification	45801.1, 45802.1 – 4 glass shelves 45801.2, 45802.2 – 2 glass shelves, 2 interior drawers 45803.1, 45804.1 – 4 illuminated glass shelves 45803.2, 45804.2 – 2 illuminated glass shelves, 2 interior drawers	Colours body	630 – Noce canaletto, surface real wood veneer 631 – White, surface lacquered

TECHNICAL DRAWINGS / S 1 : 20



X = The exact height must be set during installation.

Z 110429

IL BAGNO ALESSI ONE MIRROR

IL BAGNO ALESSI ONE FURNITURE

Mirror with illumination

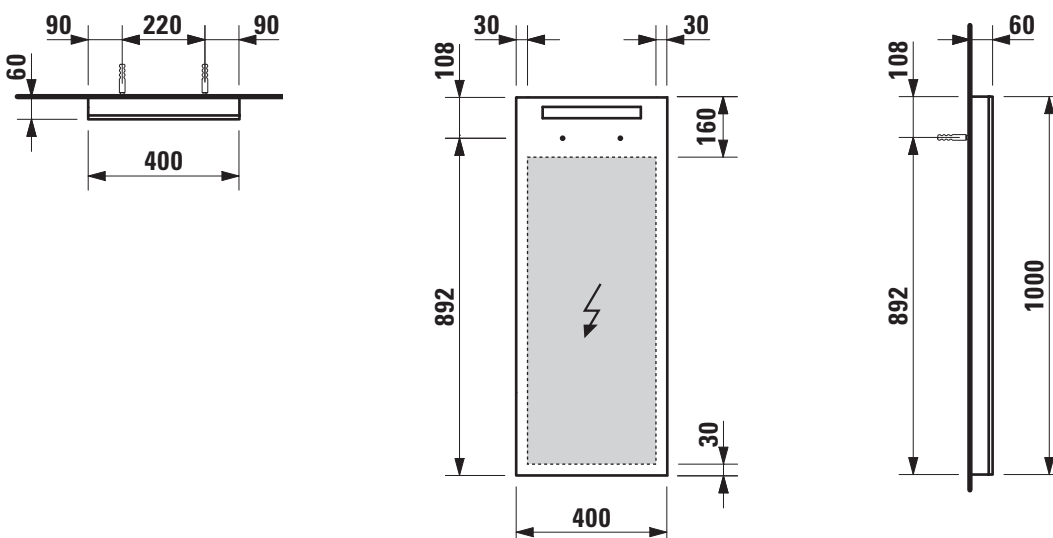
44841.1



TECHNICAL DATA

Order no.	44841.1	Mounting acc. incl.	Installation set, order no. 49240.8
Certified to	IP44	Mounting information	The fortification walls must meet the requirements of the furniture in terms of weight and the supplied fasteners. This can not be guaranteed, another method of attachment is chosen.
Dimensions (WxHxD)	400 x 1000 x 60 mm		230V power supply required.
Specification	Security glass 6 mm With chrome frame With integrated lighting and antifog system 2x 8W, G5, IP44, 230V, 50Hz		
Weight	13,0 kg		

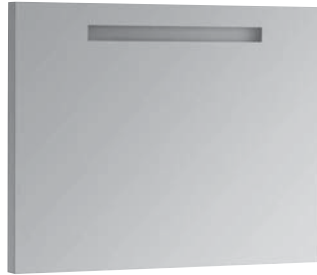
TECHNICAL DRAWINGS / S 1 : 20



IL BAGNO ALESSI ONE FURNITURE

Mirror with illumination

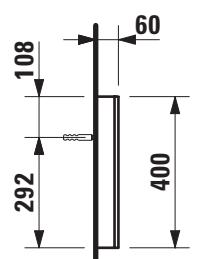
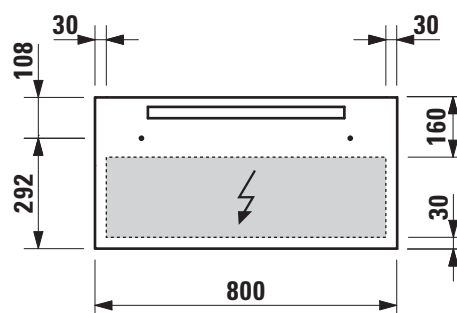
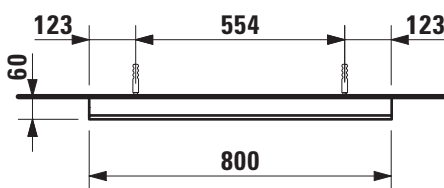
44842.1



TECHNICAL DATA

Order no.	44842.1	Mounting acc. incl.	Installation set, order no. 49240.8
Certified to	IP44	Mounting information	The fortification walls must meet the requirements of the furniture in terms of weight and the supplied fasteners. This can not be guaranteed, another method of attachment is chosen.
Dimensions (WxHxD)	800 x 400 x 60 mm		230V power supply required.
Specification	Security glass 6 mm With chrome frame With integrated lighting and antifog system 2x 13W, G5, IP44, 230V, 50Hz		
Weight	11,5 kg		

TECHNICAL DRAWINGS / S 1 : 20



IL BAGNO ALESSI ONE FURNITURE

Mirror with illumination

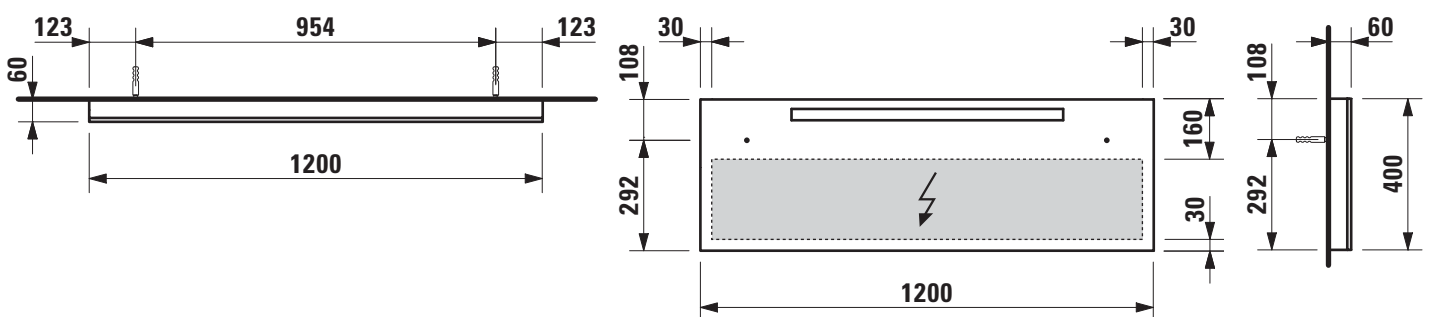
44843.1



TECHNICAL DATA

Order no.	44843.1	Mounting acc. incl.	Installation set, order no. 49240.8
Certified to	IP44	Mounting information	The fortification walls must meet the requirements of the furniture in terms of weight and the supplied fasteners. This can not be guaranteed, another method of attachment is chosen.
Dimensions (WxHxD)	1200 x 400 x 60 mm		230V power supply required.
Specification	Security glass 6 mm With chrome frame With integrated lighting and antifog system 1x 28W, G5, IP44, 230V, 50/60Hz		
Weight	16,0 kg		

TECHNICAL DRAWINGS / S 1 : 20



IL BAGNO ALESSI ONE FURNITURE

Mirror with illumination

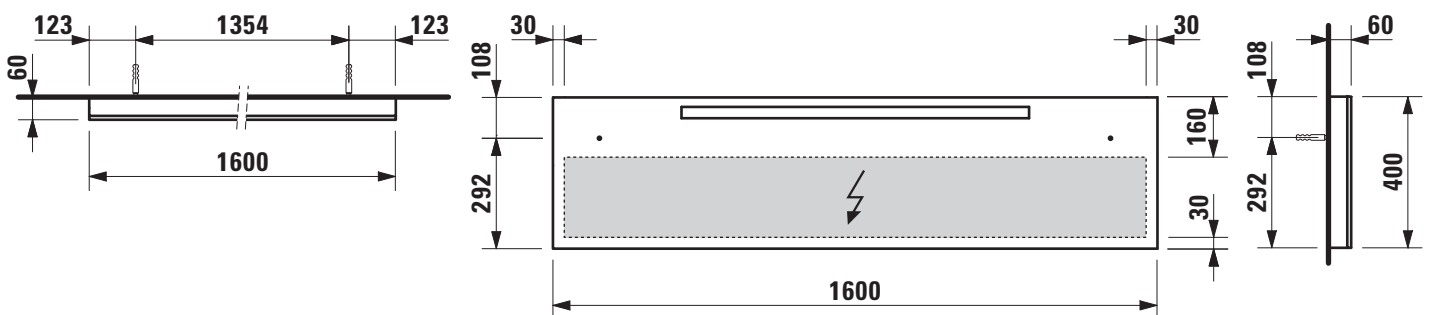
44844.1



TECHNICAL DATA

Order no.	44844.1	Mounting acc. incl.	Installation set, order no. 49240.8
Certified to	IP44	Mounting information	The fortification walls must meet the requirements of the furniture in terms of weight and the supplied fasteners. This can not be guaranteed, another method of attachment is chosen.
Dimensions (WxHxD)	1600 x 400 x 60 mm		230V power supply required.
Specification	Security glass 6 mm With chrome frame With integrated lighting and antifog system 1x 35W, G5, IP44, 230V, 50Hz		
Weight	20,0 kg		

TECHNICAL DRAWINGS / S 1 : 20



PALOMBA COLLECTION FURNITURE

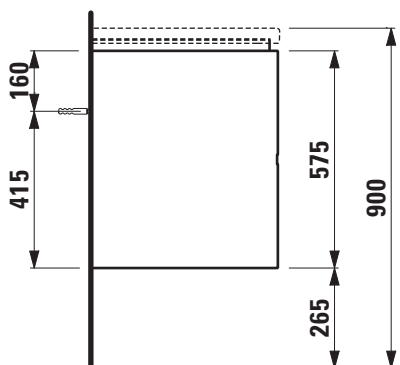
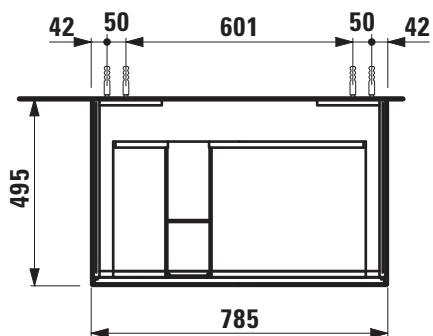


TECHNICAL DATA

Order no.	40720.2 / 2 drawers
Dimensions (WxHxD)	785 x 575 x 495 mm
Matching for	washbasin, order no. 81480.4
Specification	Body/Front – MDF board with PVC foil Integrated handle in the front
Weight	36,5 kg
Accessories excl.	Drawer separations, order no. 49030.1 Space saving siphon, order no. 89424.0
Mounting acc. incl.	Installation set, order no. 49033.2

Mounting information	The walls installed on must meet the requirements of the furniture in terms of weight and the supplied fastening elements. If this cannot be guaranteed another method of installation needs to be chosen. 230V power supply required (only for vanity unit with socket).
Colours	220 – White 222 – Cherry Vermont dark 223 – Stone grey

TECHNICAL DRAWINGS / S 1 : 20



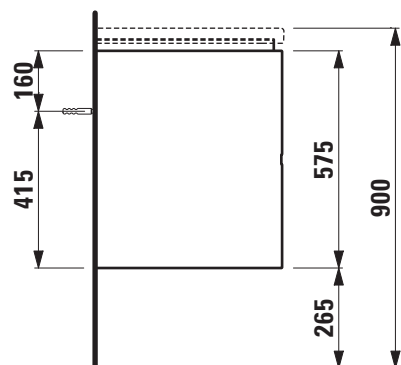
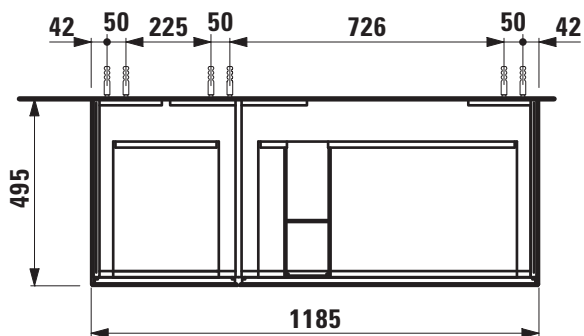


TECHNICAL DATA

Order no.	40730.4 / 4 drawers
Dimensions (WxHxD)	1185 x 575 x 495 mm
Matching for	washbasin, order no. 81480.6
Specification	Body/Front – MDF board with PVC foil Integrated handle in the front
Weight	59,0 kg
Accessories excl.	Drawer separations, order no. 49030.1 Space saving siphon, order no. 89424.0
Mounting acc. incl.	Installation set, order no. 49033.2

Mounting information	The walls installed on must meet the requirements of the furniture in terms of weight and the supplied fastening elements. If this cannot be guaranteed another method of installation needs to be chosen. 230V power supply required (only for vanity unit with socket).
Colours	220 – White 222 – Cherry Vermont dark 223 – Stone grey

TECHNICAL DRAWINGS / S 1 : 20



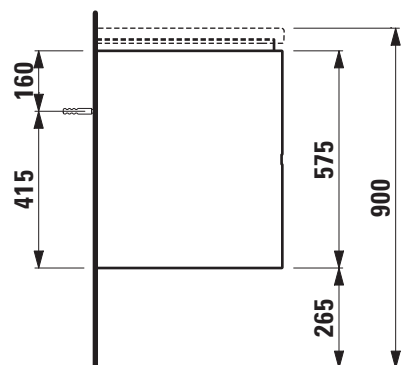
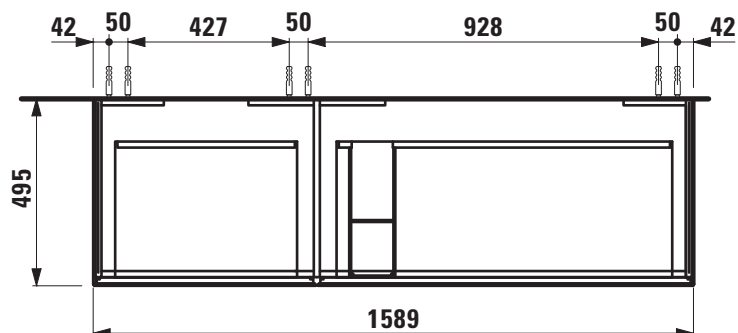


TECHNICAL DATA

Order no.	40740.4 / 4 drawers
Dimensions (WxHxD)	1585 x 575 x 495 mm
Matching for	washbasin, order no. 81480.8
Specification	Body/Front – MDF board with PVC foil Integrated handle in the front
Weight	62,0 kg
Accessories excl.	Drawer separations, order no. 49030.1 Space saving siphon, order no. 89424.0
Mounting acc. incl.	Installation set, order no. 49033.2

Mounting information	The walls installed on must meet the requirements of the furniture in terms of weight and the supplied fastening elements. If this cannot be guaranteed another method of installation needs to be chosen. 230V power supply required (only for vanity unit with socket).
Colours	220 – White 222 – Cherry Vermont dark 223 – Stone grey

TECHNICAL DRAWINGS / S 1 : 20





TECHNICAL DATA

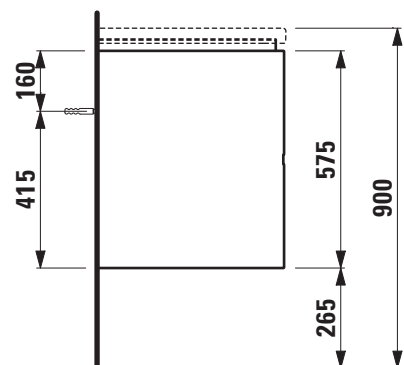
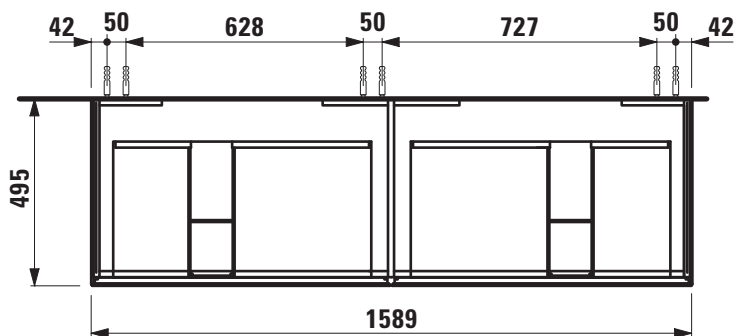
Order no.	40745.4 / 4 drawers
Dimensions (WxHxD)	1585 x 575 x 495 mm
Matching for	double washbasin, order no. 81480.9
Specification	Body/Front – MDF board with PVC foil Integrated handle in the front
Weight	62,0 kg
Accessories excl.	Drawer separations, order no. 49030.1 Space saving siphon, order no. 89424.0
Mounting acc. incl.	Installation set, order no. 49033.2

Mounting information The walls installed on must meet the requirements of the furniture in terms of weight and the supplied fastening elements. If this cannot be guaranteed another method of installation needs to be chosen.

230V power supply required (only for vanity unit with socket).

Colours
220 – White
222 – Cherry Vermont dark
223 – Stone grey

TECHNICAL DRAWINGS / S 1 : 20



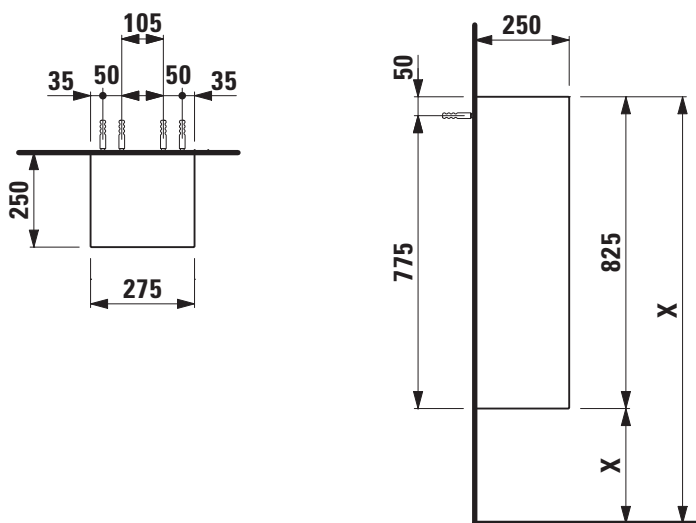


TECHNICAL DATA

Order no.	40670.1 / door hinge left and right
Dimensions (WxHxD)	275 x 825 x 250 mm
Specification	Body/Front – MDF board with PVC foil Integrated handle at the side 1 door 2 glass shelves (adjustable)
Weight	14,0 kg
Mounting acc. incl.	Installation set, order no. 49037.5

Mounting information	The walls installed on must meet the requirements of the furniture in terms of weight and the supplied fastening elements. If this cannot be guaranteed another method of installation needs to be chosen.
Colours	220 – White 222 – Cherry Vermont dark 223 – Stone grey

TECHNICAL DRAWINGS / S 1 : 20



X = The exact height must be set during installation.

PALOMBA COLLECTION FURNITURE

Tall cabinet

40675.1

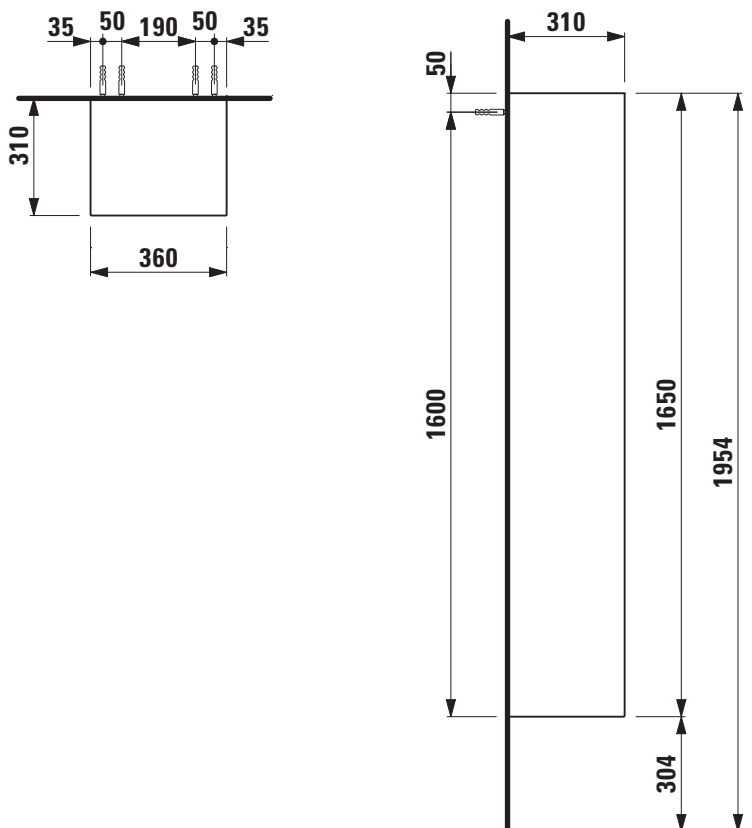
40675.2



TECHNICAL DATA

Order no.	40675.1 / door hinge left 40675.2 / door hinge right	Mounting information	The walls installed on must meet the requirements of the furniture in terms of weight and the supplied fastening elements. If this cannot be guaranteed another method of installation needs to be chosen.
Dimensions (WxHxD)	360 x 1650 x 310 mm		
Specification	Body/Front – MDF board with PVC foil Integrated handle at the side 1 door 4 glass shelves (adjustable)	Colours	220 – White 222 – Cherry Vermont dark 223 – Stone grey
Weight	31,0 kg		
Mounting acc. incl.	Installation set, order no. 49036.0		

TECHNICAL DRAWINGS / S 1 : 20



PALOMBA COLLECTION FURNITURE

Square box, wall fixation

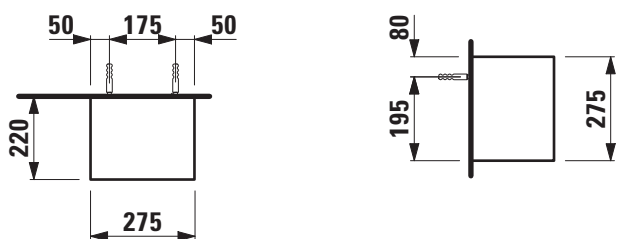
40700.1



TECHNICAL DATA

Order no.	40700.1	Mounting information	The walls installed on must meet the requirements of the furniture in terms of weight and the supplied fastening elements. If this cannot be guaranteed another method of installation needs to be chosen.
Dimensions (WxHxD)	275 x 275 x 220 mm	Colours body	220 – White 223 – Stone grey 224 – Pigeon blue
Specification	Body – MDF board with PVC foil With wall fixation	Colours back wall	200 – Mirror 221 – Common pear light 222 – Cherry Vermont dark 226 – Pure orange 227 – Ruby red
Weight	2,0 kg		
Accessories excl.	Back wall square 260 x 260 mm, order no. 40715.1		
Mounting acc. incl.	Installation set, order no. 49036.4		

TECHNICAL DRAWINGS / S 1 : 20



PALOMBA COLLECTION FURNITURE

Rectangular box, wall fixation

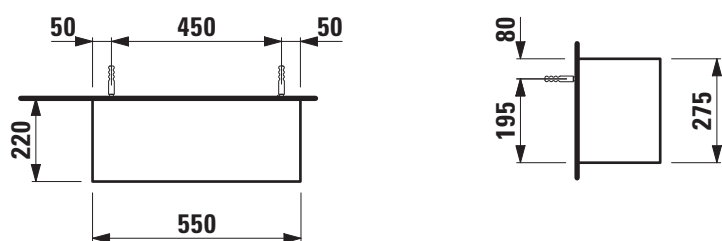
40710.1



TECHNICAL DATA

Order no.	40710.1	Mounting information	The walls installed on must meet the requirements of the furniture in terms of weight and the supplied fastening elements. If this cannot be guaranteed another method of installation needs to be chosen.
Dimensions (WxHxD)	550 x 275 x 220 mm	Colours body	220 – White 223 – Stone grey 224 – Pigeon blue
Specification	Body – MDF board with PVC foil With wall fixation	Colours back wall	200 – Mirror 221 – Common pear light 222 – Cherry Vermont dark 226 – Pure orange 227 – Ruby red
Weight	3,4 kg		
Accessories excl.	Back wall rectangular order no. 40715.2		
Mounting acc. incl.	Installation set, order no. 49037.6		

TECHNICAL DRAWINGS / S 1 : 20



PALOMBA COLLECTION FURNITURE

Rectangular box with shelf, wall fixation

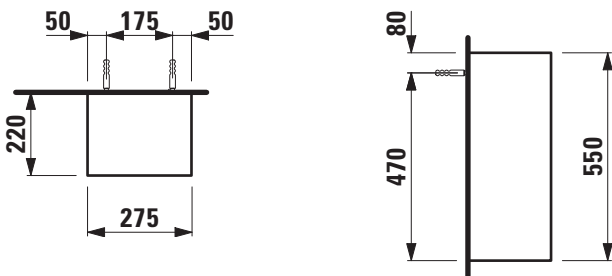
40710.2



TECHNICAL DATA

Order no.	40710.2	Mounting information	The walls installed on must meet the requirements of the furniture in terms of weight and the supplied fastening elements. If this cannot be guaranteed another method of installation needs to be chosen.
Dimensions (WxHxD)	275 x 550 x 220 mm	Colours body	220 – White 223 – Stone grey 224 – Pigeon blue
Specification	Body – MDF board with PVC foil With wall fixation 1 glass shelf	Colours back wall	200 – Mirror 221 – Common pear light 222 – Cherry Vermont dark 226 – Pure orange 227 – Ruby red
Weight	3,7 kg		
Accessories excl.	Back wall rectangular order no. 40715.2		
Mounting acc. incl.	Installation set, order no. 49036.4		

TECHNICAL DRAWINGS / S 1 : 20



PALOMBA COLLECTION FURNITURE

Rectangular box with shelf, floor standing

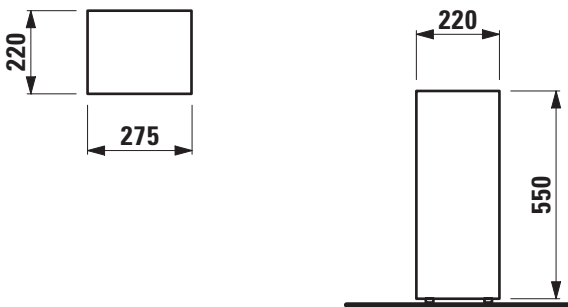
40710.3



TECHNICAL DATA

Order no.	40710.3	Colours body	220 – White
Dimensions (WxHxD)	275 x 550 x 220 mm		223 – Stone grey
Specification	Body – MDF board with PVC foil floorstanding 1 glass shelf		224 – Pigeon blue
Weight	3,7 kg	Colours back wall	200 – Mirror
Accessories excl.	Back wall rectangular order no. 40715.2		221 – Common pear light
			222 – Cherry Vermont dark
			226 – Pure orange
			227 – Ruby red

TECHNICAL DRAWINGS / S 1 : 20



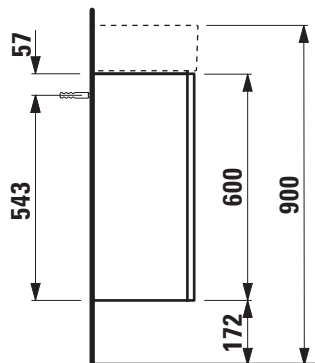
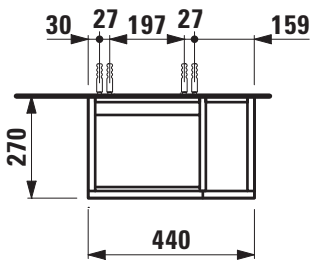
KARTELL BY LAUFEN FURNITURE



TECHNICAL DATA

Order no.	40751.7 / door hinge left	Mounting acc. incl.	Installation set for furniture, order no. 49301.5, 49610.3
Dimensions (WxHxD)	440 x 600 x 270 mm	Mounting information	The walls installed on must meet the requirements of the furniture in terms of weight and the supplied fastening elements. If this cannot be guaranteed another method of installation needs to be chosen. For example with feet.
Matching for	washbasin tap bank left, order no. 81533.5	Colours Body/Front	640 – White matt 641 – Pebble grey matt 642 – Slate grey matt
Specification	Body/Front – MDF board with lack laminate with ABS edges, inside melamine white 1 push and pull door 1 glass shelf (adjustable) 1 shelf right, side open		
Weight	13,0 kg		
Accessories excl.	Feet (2 pieces), chromed, order no. 40762.0 Space saving siphon, order no. 89424.0		

TECHNICAL DRAWINGS / S 1 : 20

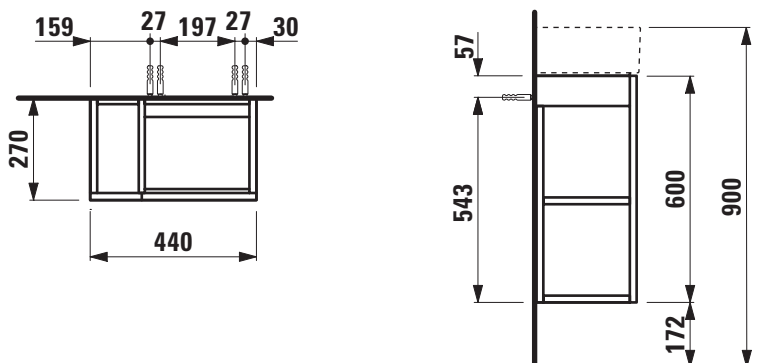




TECHNICAL DATA

Order no.	40751.8 / door hinge right	Mounting acc. incl.	Installation set for furniture, order no. 49301.5, 49610.3
Dimensions (WxHxD)	440 x 600 x 270 mm	Mounting information	The walls installed on must meet the requirements of the furniture in terms of weight and the supplied fastening elements. If this cannot be guaranteed another method of installation needs to be chosen. For example with feet.
Matching for	washbasin tap bank right, order no. 81533.4	Colours Body/Front	640 – White matt 641 – Pebble grey matt 642 – Slate grey matt
Specification	Body/Front – MDF board with lack laminate with ABS edges, inside melamine white 1 push and pull door 1 glass shelf (adjustable) 1 shelf left, side open		
Weight	13,0 kg		
Accessories excl.	Feet (2 pieces), chromed, order no. 40762.0 Space saving siphon, order no. 89424.0		

TECHNICAL DRAWINGS / S 1 : 20

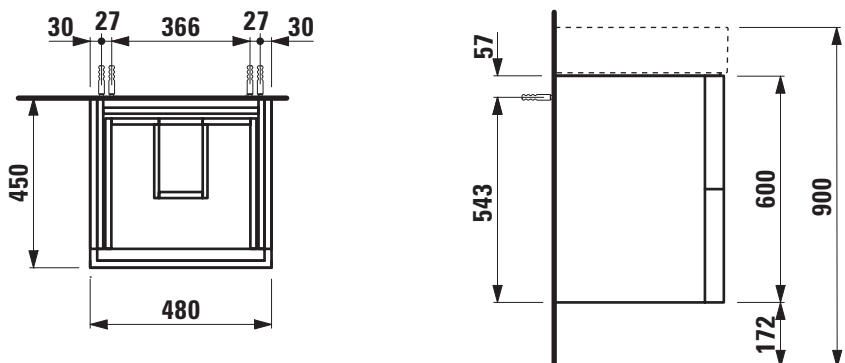




TECHNICAL DATA

Order no.	40750.9 / 2 drawers	Mounting acc. incl.	Installation set for furniture, order no. 49301.5, 49610.3
Dimensions (WxHxD)	480 x 600 x 450 mm	Mounting information	The walls installed on must meet the requirements of the furniture in terms of weight and the supplied fastening elements. If this cannot be guaranteed another method of installation needs to be chosen. For example with feet.
Matching for	washbasin, order no. 81033.2	Colours Body/Front	640 – White matt 641 – Pebble grey matt 642 – Slate grey matt
Specification	Body/Front – MDF board with lack laminate with ABS edges, inside melamine white 2 push and pull full extension drawers (soft-close mechanism), incl. organiser		
Weight	28,5 kg		
Accessories incl.	Drawer organizer, U-shaped, order no. 49611.3		
Accessories excl.	Feet (2 pieces), anodized aluminium, order no. 40766.0 Towel rail, anodized aluminium, order no. 49095.1 Space saving siphon, order no. 89424.0		

TECHNICAL DRAWINGS / S 1 : 20

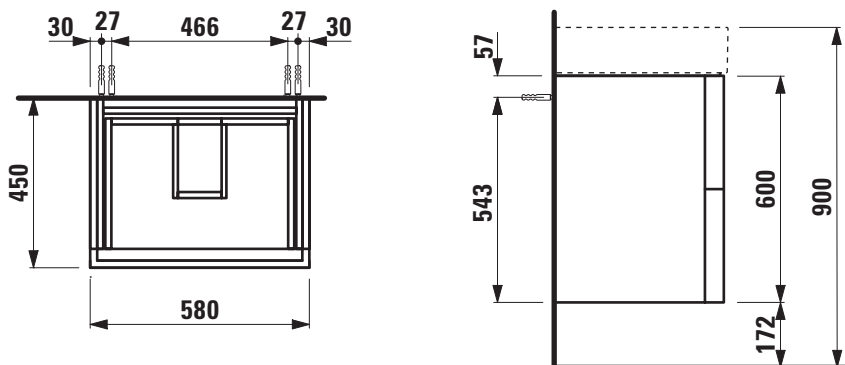




TECHNICAL DATA

Order no.	40756.9 / 2 drawers	Mounting acc. incl.	Installation set for furniture, order no. 49301.5, 49610.3
Dimensions (WxHxD)	580 x 600 x 450 mm	Mounting information	The walls installed on must meet the requirements of the furniture in terms of weight and the supplied fastening elements. If this cannot be guaranteed another method of installation needs to be chosen. For example with feet.
Matching for	washbasin, order no. 81033.3, 81033.8, 81033.9, 81333.2	Colours Body/Front	640 – White matt 641 – Pebble grey matt 642 – Slate grey matt
Specification	Body/Front – MDF board with lack laminate with ABS edges, inside melamine white 2 push and pull full extension drawers (soft-close mechanism), incl. organiser		
Weight	32,0 kg		
Accessories incl.	Drawer organizer, U-shaped, order no. 49611.3		
Accessories excl.	Feet (2 pieces), anodized aluminium, order no. 40766.0 Towel rail, anodized aluminium, order no. 49095.1 Space saving siphon, order no. 89424.0		

TECHNICAL DRAWINGS / S 1 : 20

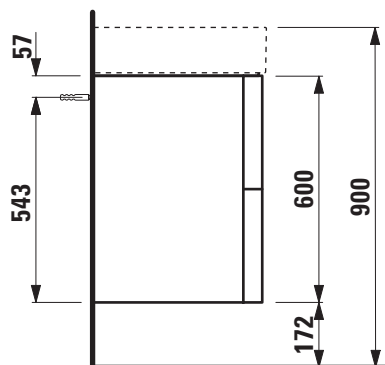
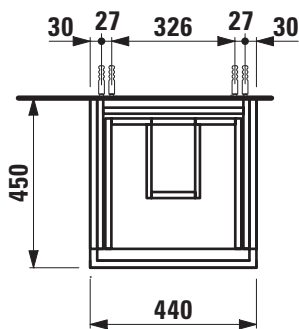




TECHNICAL DATA

Order no.	40750.8 / 2 drawers	Mounting acc. incl.	Installation set for furniture, order no. 49301.5, 49610.3
Dimensions (WxHxD)	440 x 600 x 450 mm	Mounting information	The walls installed on must meet the requirements of the furniture in terms of weight and the supplied fastening elements. If this cannot be guaranteed another method of installation needs to be chosen. For example with feet.
Matching for	washbasin, order no. 81533.1	Colours Body/Front	640 – White matt 641 – Pebble grey matt 642 – Slate grey matt
Specification	Body/Front – MDF board with lack laminate with ABS edges, inside melamine white 2 push and pull full extension drawers (soft-close mechanism), incl. organiser		
Weight	27,0 kg		
Accessories excl.	Feet (2 pieces), anodized aluminium, order no. 40766.0 Towel rail, anodized aluminium, order no. 49095.1 Space saving siphon, order no. 89424.0		

TECHNICAL DRAWINGS / S 1 : 20

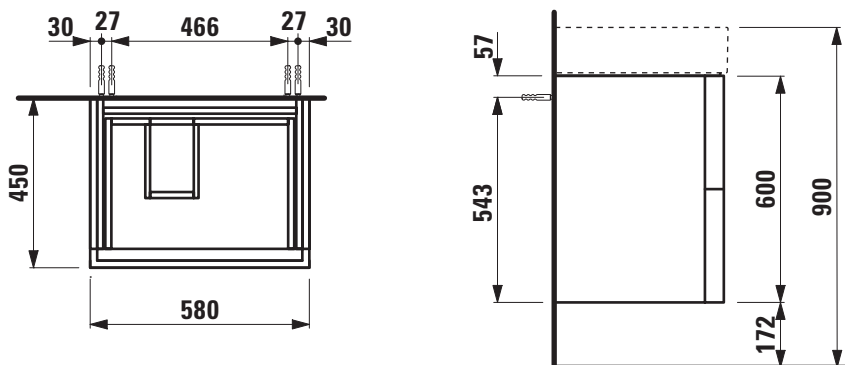




TECHNICAL DATA

Order no.	40755.8 / 2 drawers	Mounting acc. incl.	Installation set for furniture, order no. 49301.5, 49610.3
Dimensions (WxHxD)	580 x 600 x 450 mm	Mounting information	The walls installed on must meet the requirements of the furniture in terms of weight and the supplied fastening elements. If this cannot be guaranteed another method of installation needs to be chosen. For example with feet.
Matching for	washbasin shelf right, order no. 81033.4	Colours Body/Front	640 – White matt 641 – Pebble grey matt 642 – Slate grey matt
Specification	Body/Front – MDF board with lack laminate with ABS edges, inside melamine white 2 push and pull full extension drawers (soft-close mechanism), incl. organiser		
Weight	32,0 kg		
Accessories incl.	Drawer organizer, U-shaped, order no. 49611.3		
Accessories excl.	Feet (2 pieces), anodized aluminium, order no. 40766.0 Towel rail, anodized aluminium, order no. 49095.1 Space saving siphon, order no. 89424.0		

TECHNICAL DRAWINGS / S 1 : 20

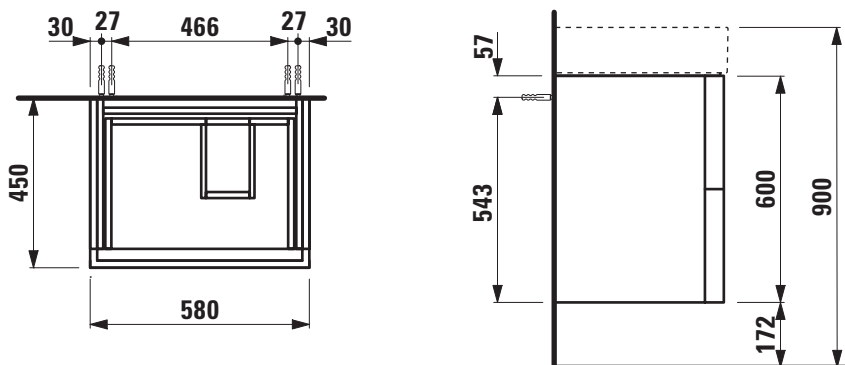




TECHNICAL DATA

Order no.	40756.8 / 2 drawers	Mounting acc. incl.	Installation set for furniture, order no. 49301.5, 49610.3
Dimensions (WxHxD)	580 x 600 x 450 mm	Mounting information	The walls installed on must meet the requirements of the furniture in terms of weight and the supplied fastening elements. If this cannot be guaranteed another method of installation needs to be chosen. For example with feet.
Matching for	washbasin shelf left, order no. 81033.5	Colours Body/Front	640 – White matt 641 – Pebble grey matt 642 – Slate grey matt
Specification	Body/Front – MDF board with lack laminate with ABS edges, inside melamine white 2 push and pull full extension drawers (soft-close mechanism), incl. organiser		
Weight	32,0 kg		
Accessories incl.	Drawer organizer, U-shaped, order no. 49611.3		
Accessories excl.	Feet (2 pieces), anodized aluminium, order no. 40766.0 Towel rail, anodized aluminium, order no. 49095.1 Space saving siphon, order no. 89424.0		

TECHNICAL DRAWINGS / S 1 : 20



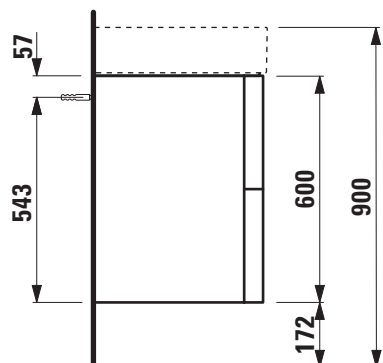
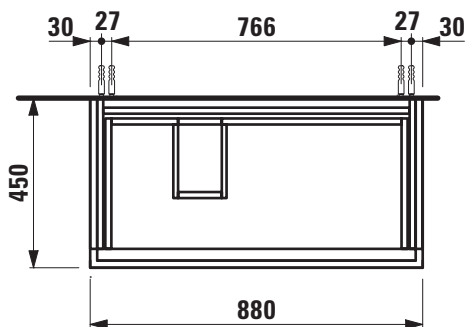


TECHNICAL DATA

Order no.	40761.8 / 2 drawers
Dimensions (WxHxD)	880 x 600 x 450 mm
Matching for	washbasin shelf right, order no. 81033.8
Specification	Body/Front – MDF board with lack laminate with ABS edges, inside melamine white 2 push and pull full extension drawers (soft-close mechanism), incl. organiser
Weight	42,5 kg
Accessories incl.	Drawer organizer, U-shaped, order no. 49611.3
Accessories excl.	Feet (2 pieces), anodized aluminium, order no. 40766.0 Towel rail, anodized aluminium, order no. 49095.1 Space saving siphon, order no. 89424.0

Mounting acc. incl.	Installation set for furniture, order no. 49301.5, 49610.3
Mounting information	The walls installed on must meet the requirements of the furniture in terms of weight and the supplied fastening elements. If this cannot be guaranteed another method of installation needs to be chosen. For example with feet.
Colours Body/Front	640 – White matt 641 – Pebble grey matt 642 – Slate grey matt

TECHNICAL DRAWINGS / S 1 : 20



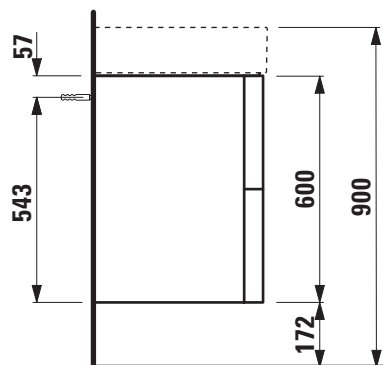
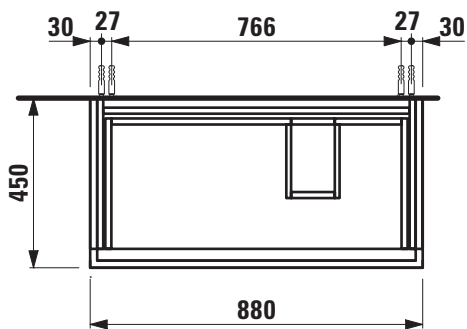


TECHNICAL DATA

Order no.	40760.8 / 2 drawers
Dimensions (WxHxD)	880 x 600 x 450 mm
Matching for	washbasin shelf left, order no. 81033.9
Specification	Body/Front – MDF board with lack laminate with ABS edges, inside melamine white 2 push and pull full extension drawers (soft-close mechanism), incl. organiser
Weight	42,5 kg
Accessories incl.	Drawer organizer, U-shaped, order no. 49611.3
Accessories excl.	Feet (2 pieces), anodized aluminium, order no. 40766.0 Towel rail, anodized aluminium, order no. 49095.1 Space saving siphon, order no. 89424.0

Mounting acc. incl.	Installation set for furniture, order no. 49301.5, 49610.3
Mounting information	The walls installed on must meet the requirements of the furniture in terms of weight and the supplied fastening elements. If this cannot be guaranteed another method of installation needs to be chosen. For example with feet.
Colours Body/Front	640 – White matt 641 – Pebble grey matt 642 – Slate grey matt

TECHNICAL DRAWINGS / S 1 : 20



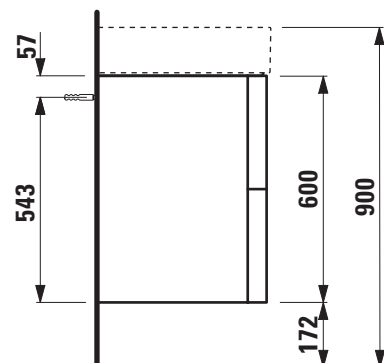
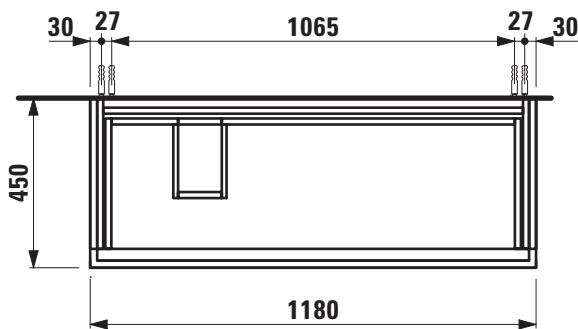


TECHNICAL DATA

Order no.	40764.8 / 2 drawers
Dimensions (WxHxD)	1180 x 600 x 450 mm
Matching for	washbasin shelf right, order no. 81333.2
Specification	Body/Front – MDF board with lack laminate with ABS edges, inside melamine white 2 push and pull full extension drawers (soft-close mechanism), incl. organiser
Weight	52,5 kg
Accessories incl.	Drawer organizer, U-shaped, order no. 49611.3
Accessories excl.	Feet (2 pieces), anodized aluminium, order no. 40766.0 Towel rail, anodized aluminium, order no. 49095.1 Space saving siphon, order no. 89424.0

Mounting acc. incl.	Installation set for furniture, order no. 49301.5, 49610.3
Mounting information	The walls installed on must meet the requirements of the furniture in terms of weight and the supplied fastening elements. If this cannot be guaranteed another method of installation needs to be chosen. For example with feet.
Colours Body/Front	640 – White matt 641 – Pebble grey matt 642 – Slate grey matt

TECHNICAL DRAWINGS / S 1 : 20

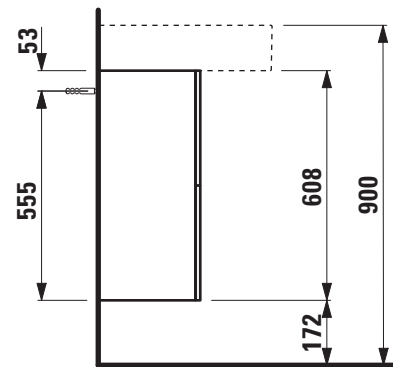
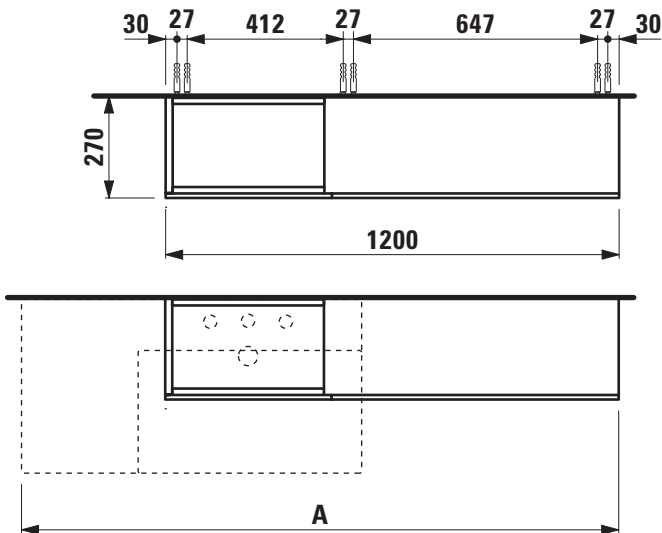




TECHNICAL DATA

Order no.	40829.1 / door hinge left, flaps right	Accessories excl.	Feet (2 pieces), anodized aluminium, order no. 40766.0
Dimensions (WxHxD)	1200 x 608 x 270 mm		Space saving siphon, order no. 89424.0
Matching for	washbasin, order no. 81033.4, 81033.5, 81033.8, 81033.9, 81233.2 (only tap bank left), 81333.2, 81533.1	Mounting acc. incl.	Installation set for furniture, order no. 49301.5, 49614.4
Specification	Body/Front – MDF board with lack laminate with ABS edges, inside melamine white 1 push and pull door (bottom left) 2 push and pull flaps (right side)	Mounting information	The walls installed on must meet the requirements of the furniture in terms of weight and the supplied fastening elements. If this cannot be guaranteed another method of installation needs to be chosen.
Weight	29,0 kg	Colours Body/Front	640 – White matt 641 – Pebble grey matt 642 – Slate grey matt

TECHNICAL DRAWINGS / S 1 : 20



A / mm (max. total width)	Ceramic
1200 - 1270	Kartell by Laufen 81033.4
1280 - 1360	Kartell by Laufen 81033.5
1210 - 1350	Kartell by Laufen 81033.8
1500 - 1660	Kartell by Laufen 81033.9

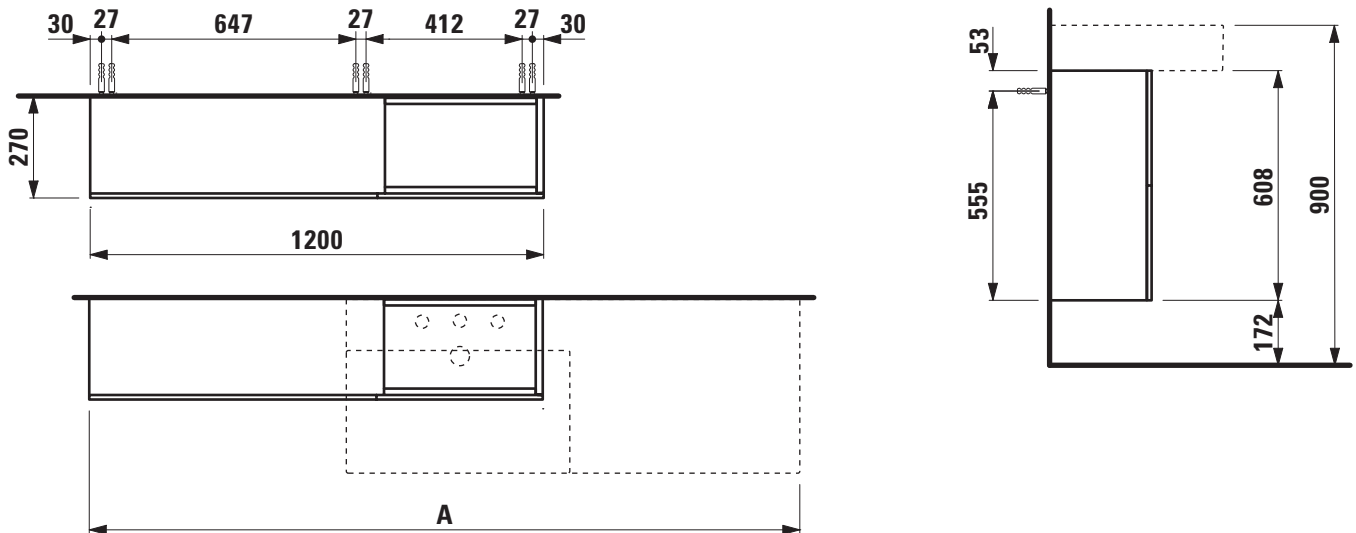
A / mm (max. total width)	Ceramic
1200	Kartell by Laufen 81233.2 (only with tap bank left)
1210 - 1350	Kartell by Laufen 81333.2
1200 - 1220	Kartell by Laufen 81533.1



TECHNICAL DATA

Order no.	40829.2 / door hinge right, flaps left	Accessories excl.	Feet (2 pieces), anodized aluminium, order no. 40766.0
Dimensions (WxHxD)	1200 x 608 x 270 mm		Space saving siphon, order no. 89424.0
Matching for	washbasin, order no. 81033.4, 81033.5, 81033.8, 81033.9, 81333.2, 81533.1	Mounting acc. incl.	Installation set for furniture, order no. 49301.5, 49614.4
Specification	Body/Front – MDF board with lack laminate with ABS edges, inside melamine white 1 push and pull door (bottom right) 2 push and pull flaps (left side)	Mounting information	The walls installed on must meet the requirements of the furniture in terms of weight and the supplied fastening elements. If this cannot be guaranteed another method of installation needs to be chosen.
Weight	29,0 kg	Colours Body/Front	640 – White matt 641 – Pebble grey matt 642 – Slate grey matt

TECHNICAL DRAWINGS / S 1 : 20



A / mm (max. total width)	Ceramic
1280 - 1360	Kartell by Laufen 81033.4
1200 - 1270	Kartell by Laufen 81033.5
1500 - 1660	Kartell by Laufen 81033.8

A / mm (max. total width)	Ceramic
1210 - 1350	Kartell by Laufen 81033.9
1800 - 1960	Kartell by Laufen 81333.2
1200 - 1220	Kartell by Laufen 81533.1

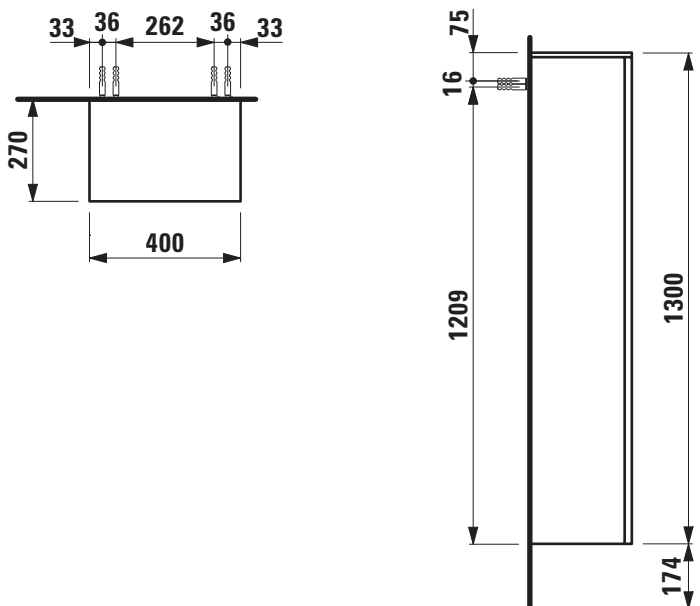


TECHNICAL DATA

Order no.	40828.1 / door hinge left
Dimensions (WxHxD)	400 x 1300 x 270 mm
Specification	Body/Front – MDF board with lack laminate with ABS edges, inside melamine white 1 push and pull door 4 glass shelves (fixed)
Weight	25,5 kg
Accessories excl.	Feet (2 pieces), anodized aluminium, order no. 40766.0
Mounting acc. incl.	Installation set for furniture, order no. 49302.1

Mounting information	The walls installed on must meet the requirements of the furniture in terms of weight and the supplied fastening elements. If this cannot be guaranteed another method of installation needs to be chosen. For example with feet.
Colours Body/Front	640 – White matt 641 – Pebble grey matt 642 – Slate grey matt

TECHNICAL DRAWINGS / S 1 : 20



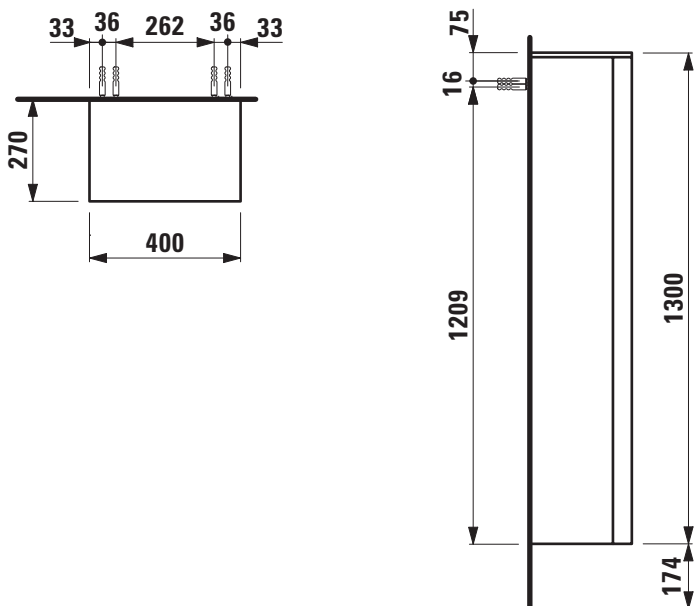


TECHNICAL DATA

Order no.	40828.2 / door hinge right
Dimensions (WxHxD)	400 x 1300 x 270 mm
Specification	Body/Front – MDF board with lack laminate with ABS edges, inside melamine white 1 push and pull door 4 glass shelves (fixed)
Weight	25,5 kg
Accessories excl.	Feet (2 pieces), anodized aluminium, order no. 40766.0
Mounting acc. incl.	Installation set for furniture, order no. 49302.1

Mounting information	The walls installed on must meet the requirements of the furniture in terms of weight and the supplied fastening elements. If this cannot be guaranteed another method of installation needs to be chosen. For example with feet.
Colours Body/Front	640 – White matt 641 – Pebble grey matt 642 – Slate grey matt

TECHNICAL DRAWINGS / S 1 : 20



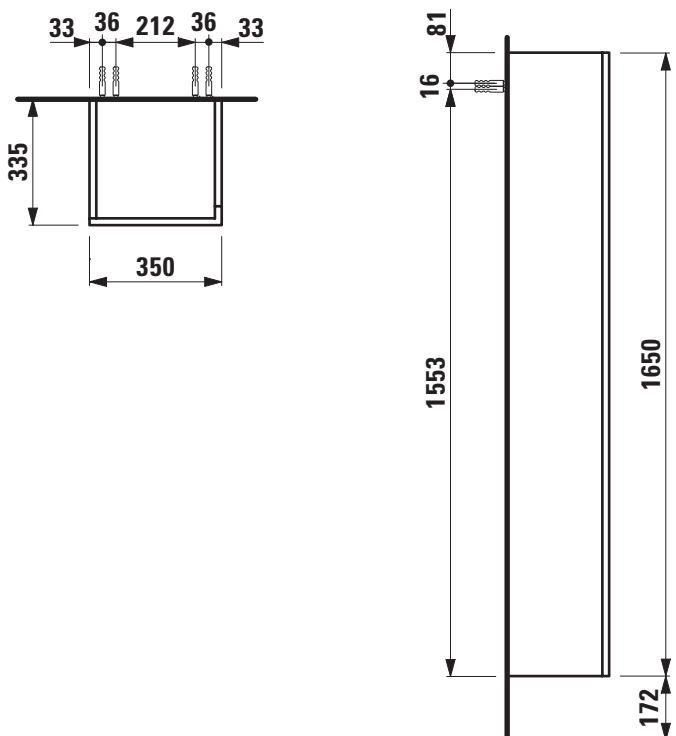
Tall cabinet
40828.7



TECHNICAL DATA

Order no.	40828.7 / door hinge left	Mounting acc. incl.	Installation set for furniture, order no. 49302.1
Dimensions (WxHxD)	350 x 1650 x 335 mm	Mounting information	The walls installed on must meet the requirements of the furniture in terms of weight and the supplied fastening elements. If this cannot be guaranteed another method of installation needs to be chosen. For example with feet.
Specification	Body/Front – MDF board with lack laminate with ABS edges, inside melamine white 1 push and pull door 4 glass shelves (fixed)	Colours Body/Front	640 – White matt 641 – Pebble grey matt 642 – Slate grey matt
Weight	35,0 kg		
Accessories excl.	Feet (2 pieces), anodized aluminium, order no. 40766.0		

TECHNICAL DRAWINGS / S 1 : 20



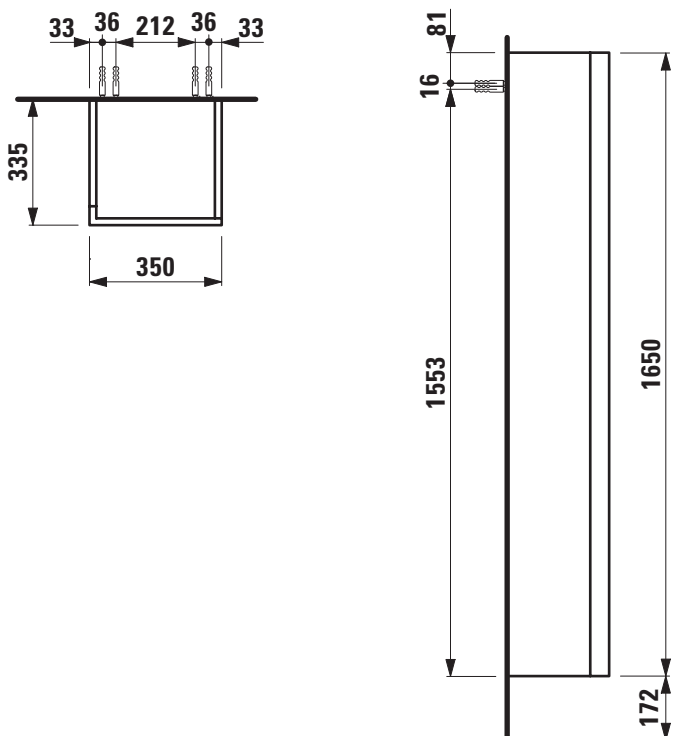
Tall cabinet
40828.8



TECHNICAL DATA

Order no.	40828.8 / door hinge right	Mounting acc. incl.	Installation set for furniture, order no. 49302.1
Dimensions (WxHxD)	350 x 1650 x 335 mm	Mounting information	The walls installed on must meet the requirements of the furniture in terms of weight and the supplied fastening elements. If this cannot be guaranteed another method of installation needs to be chosen. For example with feet.
Specification	Body/Front – MDF board with lack laminate with ABS edges, inside melamine white 1 push and pull door 4 glass shelves (fixed)	Colours Body/Front	640 – White matt 641 – Pebble grey matt 642 – Slate grey matt
Weight	35,0 kg		
Accessories excl.	Feet (2 pieces), anodized aluminium, order no. 40766.0		

TECHNICAL DRAWINGS / S 1 : 20

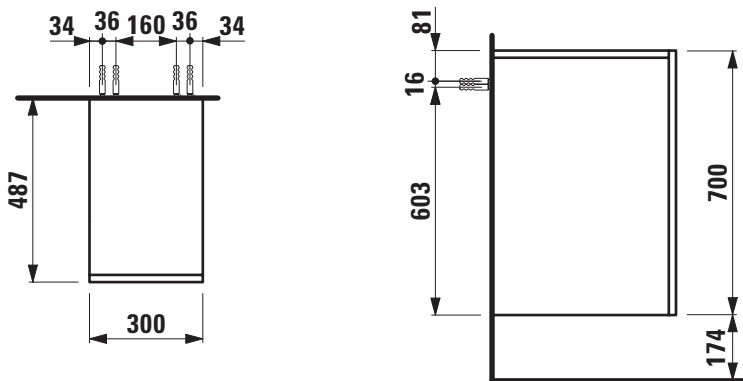




TECHNICAL DATA

Order no.	40827.1 / door hinge left 40827.2 / door hinge right	Mounting acc. incl.	Installation set for furniture, order no. 49301.5, 49114.0
Dimensions (WxHxD)	300 x 700 x 487 mm	Mounting information	The walls installed on must meet the requirements of the furniture in terms of weight and the supplied fastening elements. If this cannot be guaranteed another method of installation needs to be chosen. For example with feet.
Matching for	Pack washbasin Kartell by Laufen, order no. 86033.1, 86033.3, 86033.5, 86033.7	Colours Body/Front	640 – White matt 641 – Pebble grey matt 642 – Slate grey matt
Specification	Body/Front – MDF board with lack laminate with ABS edges, inside melamine white 1 push and pull door, 1 fixed shelf (In the case of direct furniture connection, the side element can only be used on one side.)		
Weight	20,0 kg		

TECHNICAL DRAWINGS / S 1 : 20



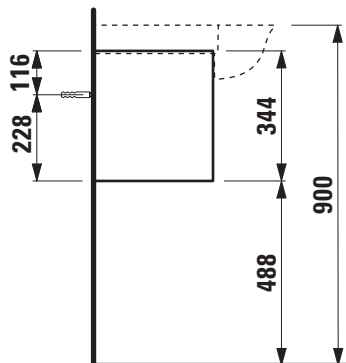
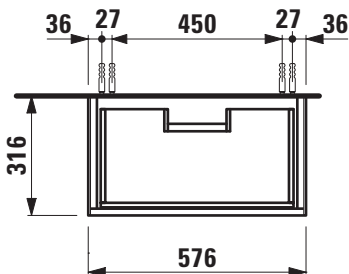
THE NEW CLASSIC FURNITURE



TECHNICAL DATA

Order no.	40603.1 / 1 drawer	Mounting acc. incl.	Installation set for furniture, order no. 49114.0, 49301.5
Dimensions (WxHxD)	576 x 344 x 316 mm	Mounting information	The walls installed on must meet the requirements of the furniture in terms of weight and the supplied fastening elements. If this cannot be guaranteed another method of installation needs to be chosen.
Matching for	Vanity washbasin, order no. 81385.3	Colours Body/Front/	627 – Traffic grey 628 – Blacked oak 631 – White glossy
Specification	Body – inside melamine dark grey particle board, outside 6 mm MDF panels Front – inside melamine dark grey Traffic grey: MDF panel, lacquered matt Blacked oak: oak veneer coated particle board with solid oak frame White glossy: MDF panel, lacquered 1 push and pull full extension drawer		
Weight	12,5 kg		
Accessories excl.	Space saving siphon, order no. 89424.0		

TECHNICAL DRAWINGS / S 1 : 20

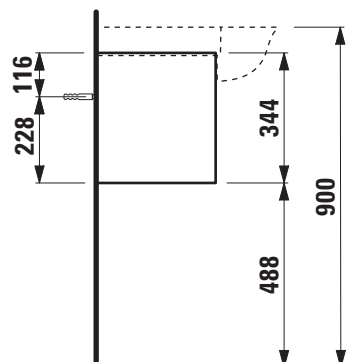
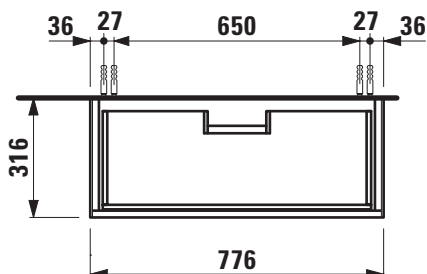




TECHNICAL DATA

Order no.	40604.1 / 1 drawer	Mounting acc. incl.	Installation set for furniture, order no. 49114.0, 49301.5
Dimensions (WxHxD)	776 x 344 x 316 mm	Mounting information	The walls installed on must meet the requirements of the furniture in terms of weight and the supplied fastening elements. If this cannot be guaranteed another method of installation needs to be chosen.
Matching for	Vanity washbasin, order no. 81385.5	Colours Body/Front/	627 – Traffic grey 628 – Blacked oak 631 – White glossy
Specification	<p>Body – inside melamine dark grey particle board, outside 6 mm MDF panels</p> <p>Front – inside melamine dark grey</p> <p>Traffic grey: MDF panel, lacquered matt</p> <p>Blacked oak: oak veneer coated particle board with solid oak frame</p> <p>White glossy: MDF panel, lacquered</p> <p>1 push and pull full extension drawer</p>		
Weight	15,0 kg		
Accessories excl.	Space saving siphon, order no. 89424.0		

TECHNICAL DRAWINGS / S 1 : 20

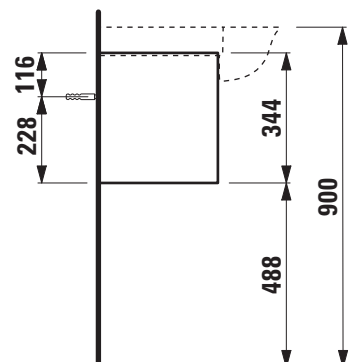
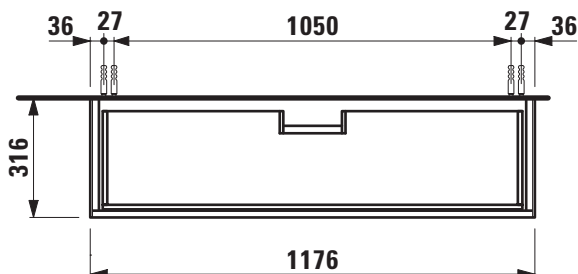




TECHNICAL DATA

Order no.	40605.1 / 1 drawer	Mounting acc. incl.	Installation set for furniture, order no. 49114.0, 49301.5
Dimensions (WxHxD)	1176 x 344 x 316 mm	Mounting information	The walls installed on must meet the requirements of the furniture in terms of weight and the supplied fastening elements. If this cannot be guaranteed another method of installation needs to be chosen.
Matching for	Vanity washbasin, order no. 81385.8	Colours Body/Front/	627 – Traffic grey 628 – Blacked oak 631 – White glossy
Specification	Body – inside melamine dark grey particle board, outside 6 mm MDF panels Front – inside melamine dark grey Traffic grey: MDF panel, lacquered matt Blacked oak: oak veneer coated particle board with solid oak frame White glossy: MDF panel, lacquered 1 push and pull full extension drawer		
Weight	627, 631 – 19,0 kg 628 – 17,0 kg		
Accessories excl.	Space saving siphon, order no. 89424.0		

TECHNICAL DRAWINGS / S 1 : 20

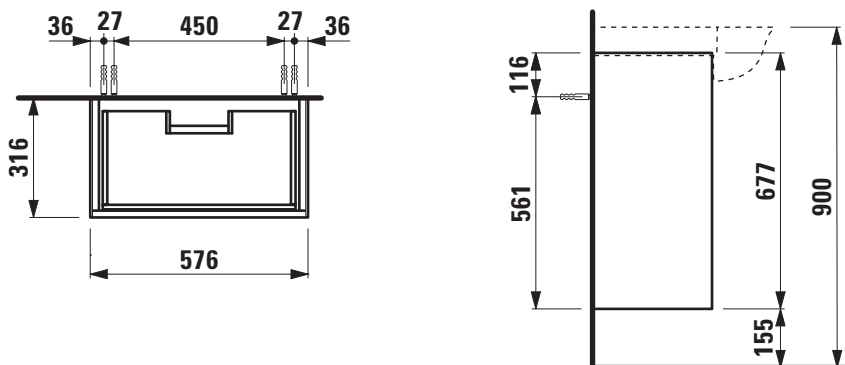




TECHNICAL DATA

Order no.	40603.2 / 2 drawers	Mounting acc. incl.	Installation set for furniture, order no. 49114.0, 49301.5
Dimensions (WxHxD)	576 x 677 x 316 mm	Mounting information	The walls installed on must meet the requirements of the furniture in terms of weight and the supplied fastening elements. If this cannot be guaranteed another method of installation needs to be chosen. For example with feet.
Matching for	Vanity washbasin, order no. 81385.3	Colours Body/Front/	627 – Traffic grey 628 – Blacked oak 631 – White glossy
Specification	Body – inside melamine dark grey particle board, outside 6 mm MDF panels Front – inside melamine dark grey Traffic grey: MDF panel, lacquered matt Blacked oak: oak veneer coated particle board with solid oak frame White glossy: MDF panel, lacquered 2 push and pull full extension drawers	Colours Feet	170 – White matt 631 – White glossy
Weight	627, 631 – 25,0 kg 628 – 24,0 kg		
Accessories excl.	Feet (2 pieces), white order no. 40607.4 Space saving siphon, order no. 89424.0		

TECHNICAL DRAWINGS / S 1 : 20

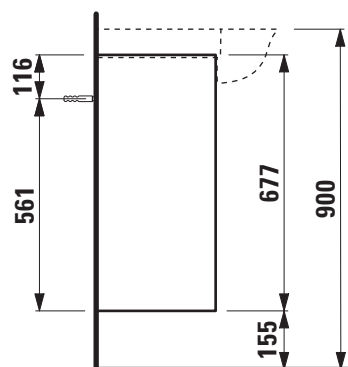
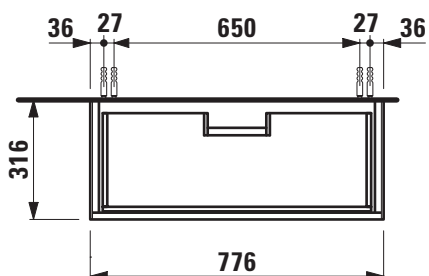




TECHNICAL DATA

Order no.	40604.2 / 2 drawers	Mounting acc. incl.	Installation set for furniture, order no. 49114.0, 49301.5
Dimensions (WxHxD)	776 x 677 x 316 mm	Mounting information	The walls installed on must meet the requirements of the furniture in terms of weight and the supplied fastening elements. If this cannot be guaranteed another method of installation needs to be chosen. For example with feet.
Matching for	Vanity washbasin, order no. 81385.5	Colours Body/Front/	627 – Traffic grey 628 – Blacked oak 631 – White glossy
Specification	Body – inside melamine dark grey particle board, outside 6 mm MDF panels Front – inside melamine dark grey Traffic grey: MDF panel, lacquered matt Blacked oak: oak veneer coated particle board with solid oak frame White glossy: MDF panel, lacquered 2 push and pull full extension drawers	Colours Feet	170 – White matt 631 – White glossy
Weight	627, 631 – 30,0 kg 628 – 28,0 kg		
Accessories excl.	Feet (2 pieces), white order no. 40607.4 Space saving siphon, order no. 89424.0		

TECHNICAL DRAWINGS / S 1 : 20



THE NEW CLASSIC FURNITURE

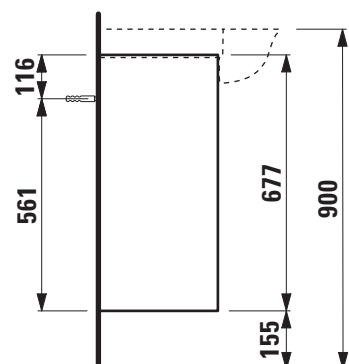
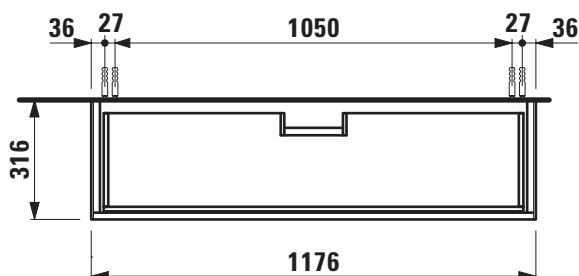
Vanity unit 40605.2



TECHNICAL DATA

Order no.	40605.2 / 2 drawers	Mounting acc. incl.	Installation set for furniture, order no. 49114.0, 49301.5
Dimensions (WxHxD)	1176 x 677 x 316 mm	Mounting information	The walls installed on must meet the requirements of the furniture in terms of weight and the supplied fastening elements. If this cannot be guaranteed another method of installation needs to be chosen. For example with feet.
Matching for	Vanity washbasin, order no. 81385.8	Colours Body/Front/	627 – Traffic grey 628 – Blacked oak 631 – White glossy
Specification	Body – inside melamine dark grey particle board, outside 6 mm MDF panels Front – inside melamine dark grey Traffic grey: MDF panel, lacquered matt Blacked oak: oak veneer coated particle board with solid oak frame White glossy: MDF panel, lacquered 2 push and pull full extension drawers	Colours Feet	170 – White matt 631 – White glossy
Weight	627, 631 – 36,5 kg 628 – 38,5 kg		
Accessories excl.	Feet (2 pieces), white order no. 40607.4 Space saving siphon, order no. 89424.0		

TECHNICAL DRAWINGS / S 1 : 20



THE NEW CLASSIC FURNITURE

Drawer element with cut out

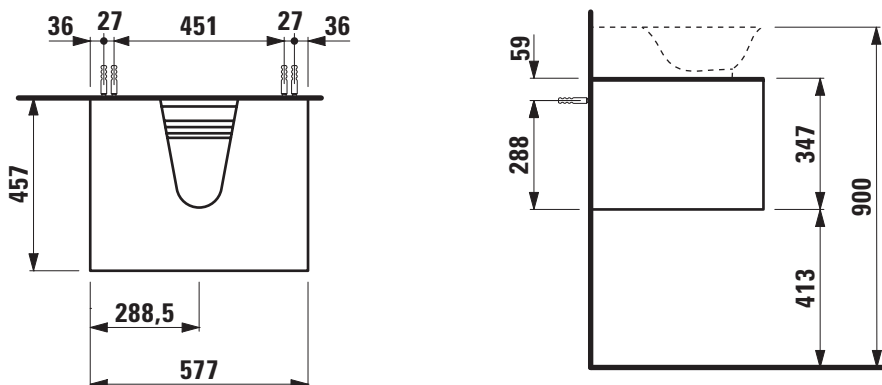
40600.3



TECHNICAL DATA

Order no.	40600.3 / 1 drawer	Accessories excl.	Space saving siphon, order no. 89424.0
Dimensions (WxHxD)	577 x 347 x 457 mm	Mounting acc. incl.	Installation set for furniture, order no. 49114.0, 49301.5
Matching for	Small washbasin, order no. 81685.2	Mounting information	The walls installed on must meet the requirements of the furniture in terms of weight and the supplied fastening elements. If this cannot be guaranteed another method of installation needs to be chosen.
Specification	<p>Body – inside melamine dark grey particle board, outside 6 mm MDF panels</p> <p>Front – inside melamine dark grey</p> <p>Traffic grey: MDF panel, lacquered matt</p> <p>Blacked oak: oak veneer coated particle board with solid oak frame</p> <p>White glossy: MDF panel, lacquered</p> <p>1 cut out</p> <p>1 push and pull full extension drawer</p>	Colours Body/Front/	<p>627 – Traffic grey</p> <p>628 – Blacked oak</p> <p>631 – White glossy</p>
Weight	627, 631 – 22,5 kg 628 – 21,0 kg		

TECHNICAL DRAWINGS / S 1 : 20



THE NEW CLASSIC FURNITURE

Drawer element with cut out

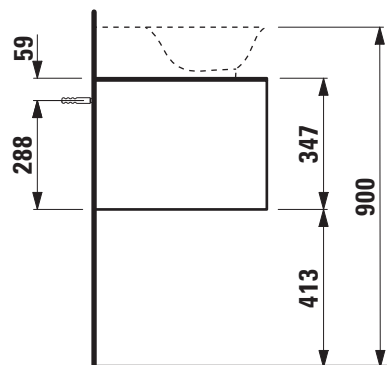
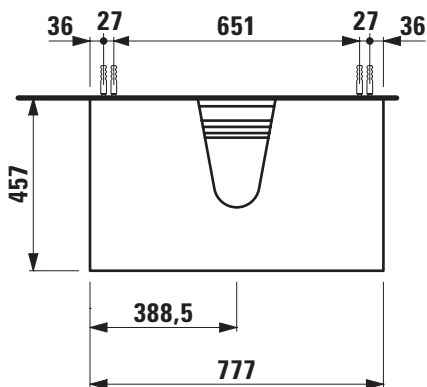
40601.3



TECHNICAL DATA

Order no.	40601.3 / 1 drawer	Accessories excl.	Space saving siphon, order no. 89424.0
Dimensions (WxHxD)	777 x 347 x 457 mm	Mounting acc. incl.	Installation set for furniture, order no. 49114.0, 49301.5
Matching for	Small washbasin, order no. 81685.2	Mounting information	The walls installed on must meet the requirements of the furniture in terms of weight and the supplied fastening elements. If this cannot be guaranteed another method of installation needs to be chosen.
Specification	<p>Body – inside melamine dark grey particle board, outside 6 mm MDF panels</p> <p>Front – inside melamine dark grey</p> <p>Traffic grey: MDF panel, lacquered matt</p> <p>Blacked oak: oak veneer coated particle board with solid oak frame</p> <p>White glossy: MDF panel, lacquered</p> <p>1 cut out</p> <p>1 push and pull full extension drawer</p>	Colours Body/Front/	<p>627 – Traffic grey</p> <p>628 – Blacked oak</p> <p>631 – White glossy</p>
Weight	<p>627, 631 – 29,0 kg</p> <p>628 – 27,0 kg</p>		

TECHNICAL DRAWINGS / S 1 : 20



THE NEW CLASSIC FURNITURE

Drawer element with cut out

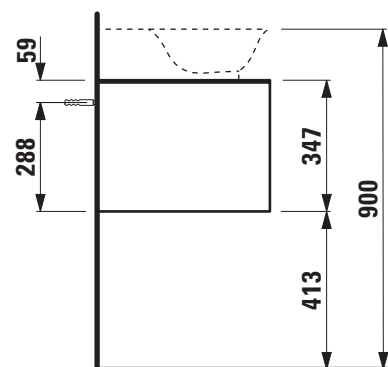
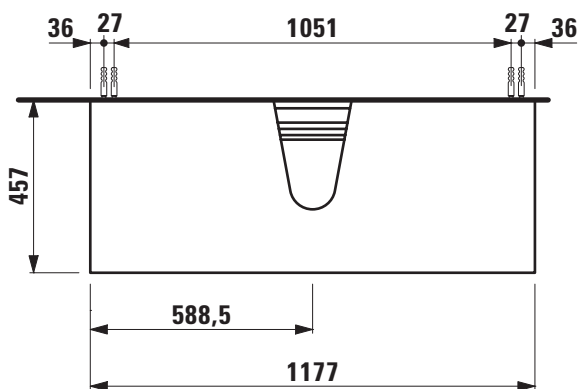
40602.3



TECHNICAL DATA

Order no.	40602.3 / 1 drawer	Accessories excl.	Space saving siphon, order no. 89424.0
Dimensions (WxHxD)	1177 x 347 x 457 mm	Mounting acc. incl.	Installation set for furniture, order no. 49114.0, 49301.5
Matching for	Small washbasin, order no. 81685.2	Mounting information	The walls installed on must meet the requirements of the furniture in terms of weight and the supplied fastening elements. If this cannot be guaranteed another method of installation needs to be chosen.
Specification	<p>Body – inside melamine dark grey particle board, outside 6 mm MDF panels</p> <p>Front – inside melamine dark grey</p> <p>Traffic grey: MDF panel, lacquered matt</p> <p>Blacked oak: oak veneer coated particle board with solid oak frame</p> <p>White glossy: MDF panel, lacquered</p> <p>1 cut out</p> <p>1 push and pull full extension drawer</p>	Colours Body/Front/	<p>627 – Traffic grey</p> <p>628 – Blacked oak</p> <p>631 – White glossy</p>
Weight	<p>627, 631 – 39,5 kg</p> <p>628 – 38,5 kg</p>		

TECHNICAL DRAWINGS / S 1 : 20



THE NEW CLASSIC FURNITURE

Drawer element with cut out left

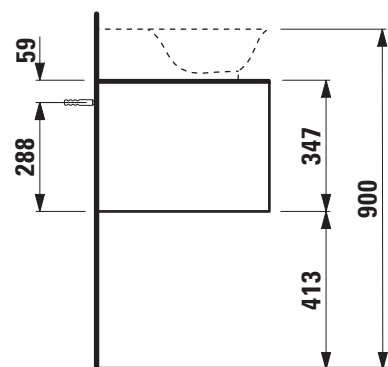
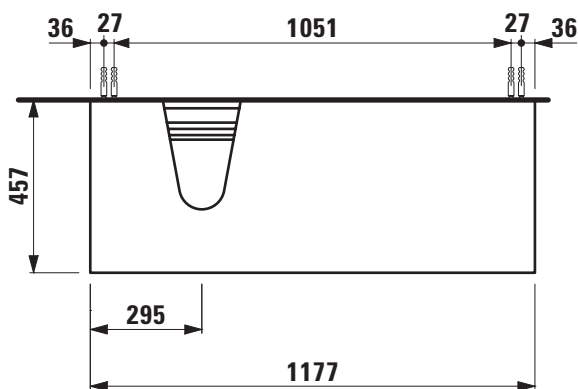
40608.5



TECHNICAL DATA

Order no.	40608.5 / 1 drawer	Accessories excl.	Space saving siphon, order no. 89424.0
Dimensions (WxHxD)	1177 x 347 x 457 mm	Mounting acc. incl.	Installation set for furniture, order no. 49114.0, 49301.5
Matching for	Small washbasin, order no. 81685.2	Mounting information	The walls installed on must meet the requirements of the furniture in terms of weight and the supplied fastening elements. If this cannot be guaranteed another method of installation needs to be chosen.
Specification	<p>Body – inside melamine dark grey particle board, outside 6 mm MDF panels</p> <p>Front – inside melamine dark grey</p> <p>Traffic grey: MDF panel, lacquered matt</p> <p>Blacked oak: oak veneer coated particle board with solid oak frame</p> <p>White glossy: MDF panel, lacquered</p> <p>1 cut out left</p> <p>1 push and pull full extension drawer</p>	Colours Body/Front/	<p>627 – Traffic grey</p> <p>628 – Blacked oak</p> <p>631 – White glossy</p>
Weight	<p>627, 631 – 39,5 kg</p> <p>628 – 38,5 kg</p>		

TECHNICAL DRAWINGS / S 1 : 20



THE NEW CLASSIC FURNITURE

Drawer element with cut out right

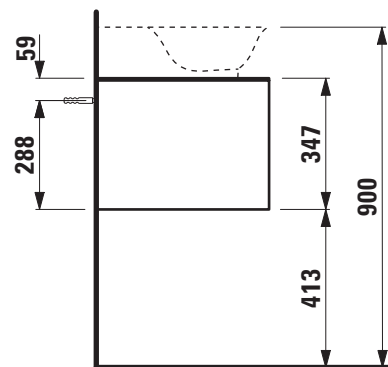
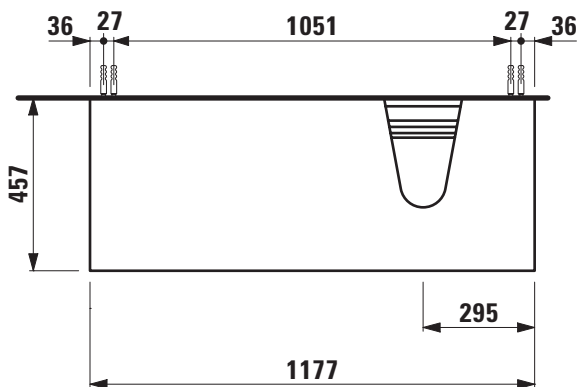
40608.6



TECHNICAL DATA

Order no.	40608.6 / 1 drawer	Accessories excl.	Space saving siphon, order no. 89424.0
Dimensions (WxHxD)	1177 x 347 x 457 mm	Mounting acc. incl.	Installation set for furniture, order no. 49114.0, 49301.5
Matching for	Small washbasin, order no. 81685.2	Mounting information	The walls installed on must meet the requirements of the furniture in terms of weight and the supplied fastening elements. If this cannot be guaranteed another method of installation needs to be chosen.
Specification	<p>Body – inside melamine dark grey particle board, outside 6 mm MDF panels</p> <p>Front – inside melamine dark grey</p> <p>Traffic grey: MDF panel, lacquered matt</p> <p>Blacked oak: oak veneer coated particle board with solid oak frame</p> <p>White glossy: MDF panel, lacquered</p> <p>1 cut out right</p> <p>1 push and pull full extension drawer</p>	Colours Body/Front/	<p>627 – Traffic grey</p> <p>628 – Blacked oak</p> <p>631 – White glossy</p>
Weight	<p>627, 631 – 39,5 kg</p> <p>628 – 38,5 kg</p>		

TECHNICAL DRAWINGS / S 1 : 20



THE NEW CLASSIC FURNITURE

Drawer element with cut out

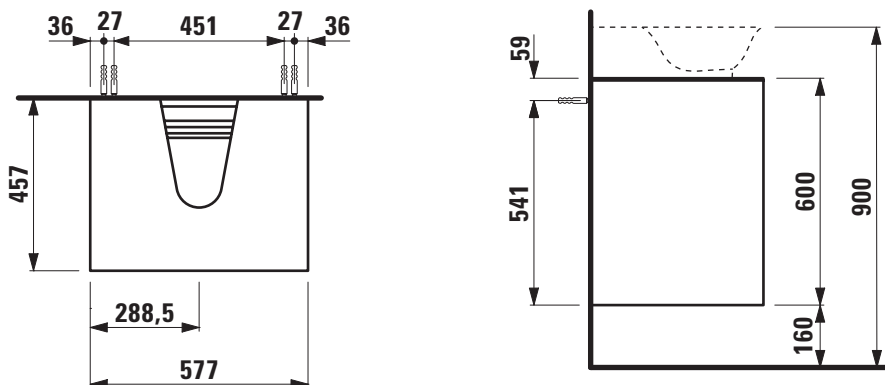
40600.4



TECHNICAL DATA

Order no.	40600.4 / 2 drawers	Mounting acc. incl.	Installation set for furniture, order no. 49114.0, 49301.5
Dimensions (WxHxD)	577 x 600 x 457 mm	Mounting information	The walls installed on must meet the requirements of the furniture in terms of weight and the supplied fastening elements. If this cannot be guaranteed another method of installation needs to be chosen. For example with feet.
Matching for	Small washbasin, order no. 81685.2	Colours Body/Front/	627 – Traffic grey 628 – Blacked oak 631 – White glossy
Specification	Body – inside melamine dark grey particle board, outside 6 mm MDF panels Front – inside melamine dark grey Traffic grey: MDF panel, lacquered matt Blacked oak: oak veneer coated particle board with solid oak frame White glossy: MDF panel, lacquered 1 cut out 2 push and pull full extension drawers	Colours Feet	170 – White matt 631 – White glossy
Weight	627, 631 – 35,0 kg 628 – 34,0 kg		
Accessories excl.	Feet (2 pieces), white order no. 40607.4 Space saving siphon, order no. 89424.0		

TECHNICAL DRAWINGS / S 1 : 20



THE NEW CLASSIC FURNITURE

Drawer element with cut out

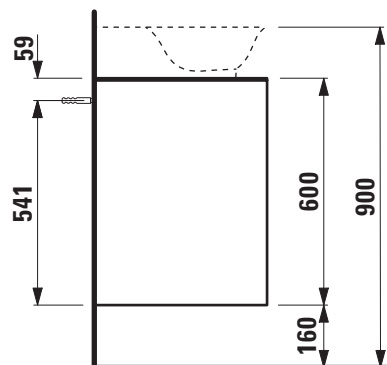
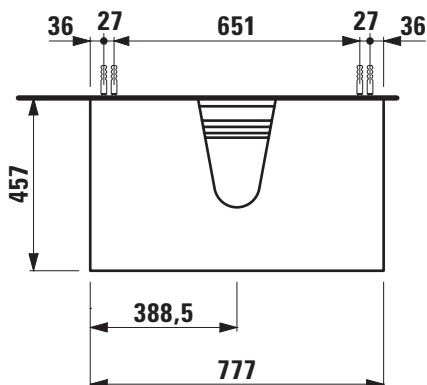
40601.4



TECHNICAL DATA

Order no.	40601.4 / 2 drawers	Mounting acc. incl.	Installation set for furniture, order no. 49114.0, 49301.5
Dimensions (WxHxD)	777 x 600 x 457 mm	Mounting information	The walls installed on must meet the requirements of the furniture in terms of weight and the supplied fastening elements. If this cannot be guaranteed another method of installation needs to be chosen. For example with feet.
Matching for	Small washbasin, order no. 81685.2	Colours Body/Front/	627 – Traffic grey 628 – Blacked oak 631 – White glossy
Specification	Body – inside melamine dark grey particle board, outside 6 mm MDF panels Front – inside melamine dark grey Traffic grey: MDF panel, lacquered matt Blacked oak: oak veneer coated particle board with solid oak frame White glossy: MDF panel, lacquered 1 cut out 2 push and pull full extension drawers	Colours Feet	170 – White matt 631 – White glossy
Weight	627, 631 – 38,5 kg 628 – 39,5 kg		
Accessories excl.	Feet (2 pieces), white order no. 40607.4 Space saving siphon, order no. 89424.0		

TECHNICAL DRAWINGS / S 1 : 20



THE NEW CLASSIC FURNITURE

Drawer element with cut out

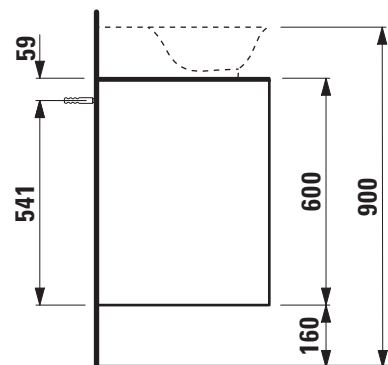
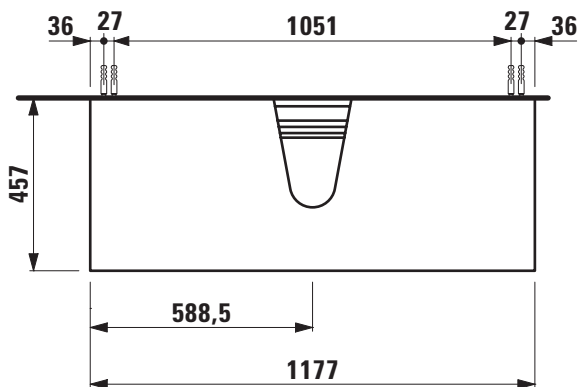
40602.4



TECHNICAL DATA

Order no.	40602.4 / 2 drawers	Mounting acc. incl.	Installation set for furniture, order no. 49114.0, 49301.5
Dimensions (WxHxD)	1177 x 600 x 457 mm	Mounting information	The walls installed on must meet the requirements of the furniture in terms of weight and the supplied fastening elements. If this cannot be guaranteed another method of installation needs to be chosen. For example with feet.
Matching for	Small washbasin, order no. 81685.2	Colours Body/Front/	627 – Traffic grey 628 – Blacked oak 631 – White glossy
Specification	Body – inside melamine dark grey particle board, outside 6 mm MDF panels Front – inside melamine dark grey Traffic grey: MDF panel, lacquered matt Blacked oak: oak veneer coated particle board with solid oak frame White glossy: MDF panel, lacquered 1 cut out 2 push and pull full extension drawers	Colours Feet	170 – White matt 631 – White glossy
Weight	627, 631 – 57,5 kg 628 – 54,5 kg		
Accessories excl.	Feet (2 pieces), white order no. 40607.4 Space saving siphon, order no. 89424.0		

TECHNICAL DRAWINGS / S 1 : 20



THE NEW CLASSIC FURNITURE

Drawer element with cut out left

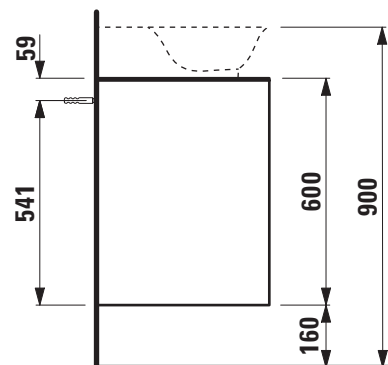
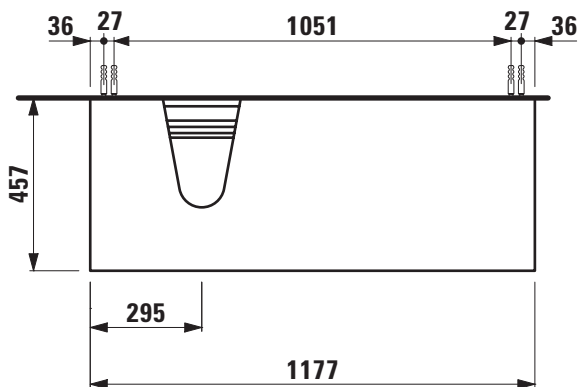
40608.7



TECHNICAL DATA

Order no.	40608.7 / 2 drawers	Mounting acc. incl.	Installation set for furniture, order no. 49114.0, 49301.5
Dimensions (WxHxD)	1177 x 600 x 457 mm	Mounting information	The walls installed on must meet the requirements of the furniture in terms of weight and the supplied fastening elements. If this cannot be guaranteed another method of installation needs to be chosen. For example with feet.
Matching for	Small washbasin, order no. 81685.2	Colours Body/Front/	627 – Traffic grey 628 – Blacked oak 631 – White glossy
Specification	Body – inside melamine dark grey particle board, outside 6 mm MDF panels Front – inside melamine dark grey Traffic grey: MDF panel, lacquered matt Blacked oak: oak veneer coated particle board with solid oak frame White glossy: MDF panel, lacquered 1 cut out left 2 push and pull full extension drawers	Colours Feet	170 – White matt 631 – White glossy
Weight	627, 631 – 57,5 kg 628 – 54,5 kg		
Accessories excl.	Feet (2 pieces), white order no. 40607.4 Space saving siphon, order no. 89424.0		

TECHNICAL DRAWINGS / S 1 : 20



THE NEW CLASSIC FURNITURE

Drawer element with cut out right

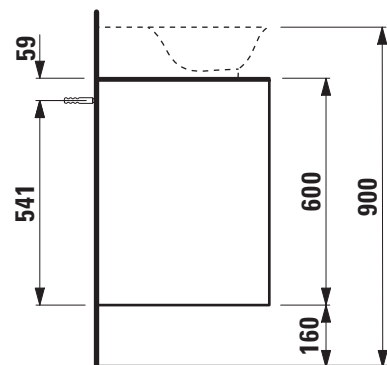
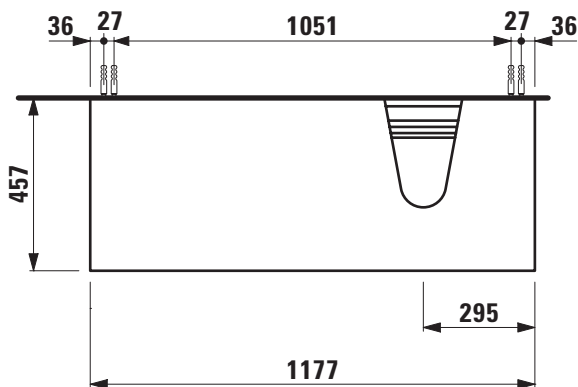
40608.8



TECHNICAL DATA

Order no.	40608.8 / 2 drawers	Mounting acc. incl.	Installation set for furniture, order no. 49114.0, 49301.5
Dimensions (WxHxD)	1177 x 600 x 457 mm	Mounting information	The walls installed on must meet the requirements of the furniture in terms of weight and the supplied fastening elements. If this cannot be guaranteed another method of installation needs to be chosen. For example with feet.
Matching for	Small washbasin, order no. 81685.2	Colours Body/Front/	627 – Traffic grey 628 – Blacked oak 631 – White glossy
Specification	Body – inside melamine dark grey particle board, outside 6 mm MDF panels Front – inside melamine dark grey Traffic grey: MDF panel, lacquered matt Blacked oak: oak veneer coated particle board with solid oak frame White glossy: MDF panel, lacquered 1 cut out right 2 push and pull full extension drawers	Colours Feet	170 – White matt 631 – White glossy
Weight	627, 631 – 57,5 kg 628 – 54,5 kg		
Accessories excl.	Feet (2 pieces), white order no. 40607.4 Space saving siphon, order no. 89424.0		

TECHNICAL DRAWINGS / S 1 : 20



THE NEW CLASSIC FURNITURE

Drawer element with cut out

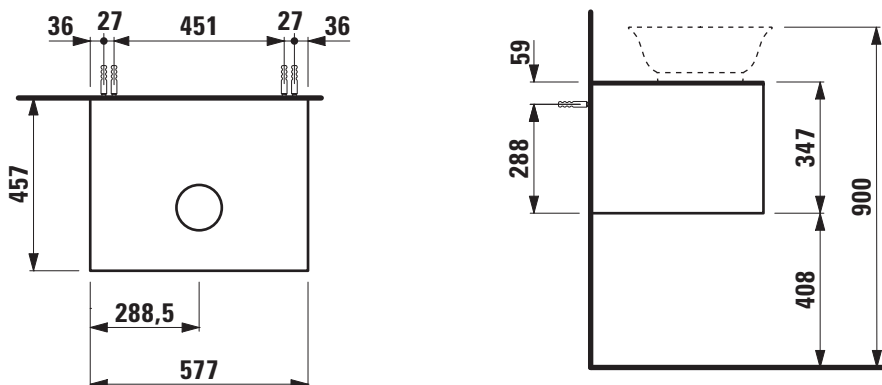
40600.1



TECHNICAL DATA

Order no.	40600.1 / 1 drawer	Accessories excl.	Space saving siphon, order no. 89424.0
Dimensions (WxHxD)	577 x 347 x 457 mm	Mounting acc. incl.	Installation set for furniture, order no. 49114.0, 49301.5
Matching for	Washbasin bowl, order no. 81285.2, 81285.3	Mounting information	The walls installed on must meet the requirements of the furniture in terms of weight and the supplied fastening elements. If this cannot be guaranteed another method of installation needs to be chosen.
Specification	<p>Body – inside melamine dark grey particle board, outside 6 mm MDF panels</p> <p>Front – inside melamine dark grey</p> <p>Traffic grey: MDF panel, lacquered matt</p> <p>Blacked oak: oak veneer coated particle board with solid oak frame</p> <p>White glossy: MDF panel, lacquered</p> <p>1 cut out</p> <p>1 push and pull full extension drawer</p>	Colours Body/Front/	<p>627 – Traffic grey</p> <p>628 – Blacked oak</p> <p>631 – White glossy</p>
Weight	<p>627, 631 – 22,5 kg</p> <p>628 – 22,0 kg</p>		

TECHNICAL DRAWINGS / S 1 : 20



THE NEW CLASSIC FURNITURE

Drawer element with cut out

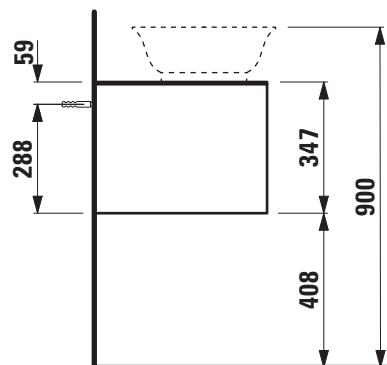
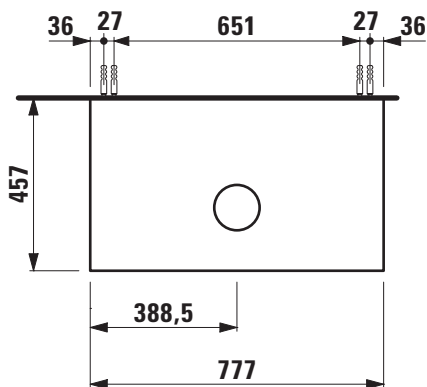
40601.1



TECHNICAL DATA

Order no.	40601.1 / 1 drawer	Accessories excl.	Space saving siphon, order no. 89424.0
Dimensions (WxHxD)	777 x 347 x 457 mm	Mounting acc. incl.	Installation set for furniture, order no. 49114.0, 49301.5
Matching for	Washbasin bowl, order no. 81285.2, 81285.3	Mounting information	The walls installed on must meet the requirements of the furniture in terms of weight and the supplied fastening elements. If this cannot be guaranteed another method of installation needs to be chosen.
Specification	<p>Body – inside melamine dark grey particle board, outside 6 mm MDF panels</p> <p>Front – inside melamine dark grey</p> <p>Traffic grey: MDF panel, lacquered matt</p> <p>Blacked oak: oak veneer coated particle board with solid oak frame</p> <p>White glossy: MDF panel, lacquered</p> <p>1 cut out</p> <p>1 push and pull full extension drawer</p>	Colours Body/Front/	<p>627 – Traffic grey</p> <p>628 – Blacked oak</p> <p>631 – White glossy</p>
Weight	<p>627, 631 – 29,0 kg</p> <p>628 – 27,0 kg</p>		

TECHNICAL DRAWINGS / S 1 : 20



THE NEW CLASSIC FURNITURE

Drawer element with cut out

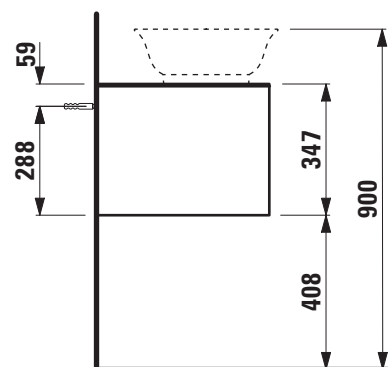
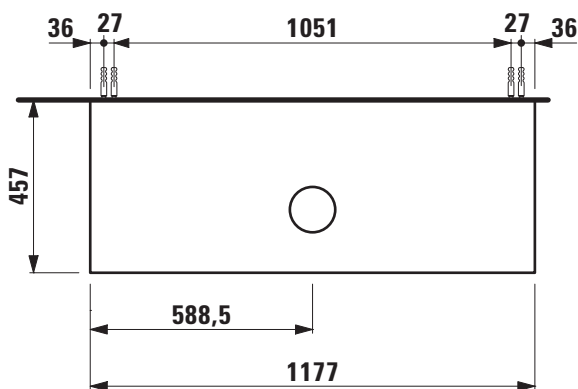
40602.1



TECHNICAL DATA

Order no.	40602.1 / 1 drawer	Accessories excl.	Space saving siphon, order no. 89424.0
Dimensions (WxHxD)	1177 x 347 x 457 mm	Mounting acc. incl.	Installation set for furniture, order no. 49114.0, 49301.5
Matching for	Washbasin bowl, order no. 81285.2, 81285.3	Mounting information	The walls installed on must meet the requirements of the furniture in terms of weight and the supplied fastening elements. If this cannot be guaranteed another method of installation needs to be chosen.
Specification	<p>Body – inside melamine dark grey particle board, outside 6 mm MDF panels</p> <p>Front – inside melamine dark grey</p> <p>Traffic grey: MDF panel, lacquered matt</p> <p>Blacked oak: oak veneer coated particle board with solid oak frame</p> <p>White glossy: MDF panel, lacquered</p> <p>1 cut out</p> <p>1 push and pull full extension drawer</p>	Colours Body/Front/	<p>627 – Traffic grey</p> <p>628 – Blacked oak</p> <p>631 – White glossy</p>
Weight	<p>627, 631 – 39,5 kg</p> <p>628 – 38,5 kg</p>		

TECHNICAL DRAWINGS / S 1 : 20



THE NEW CLASSIC FURNITURE

Drawer element with cut out left

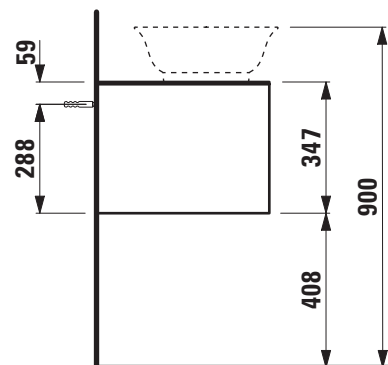
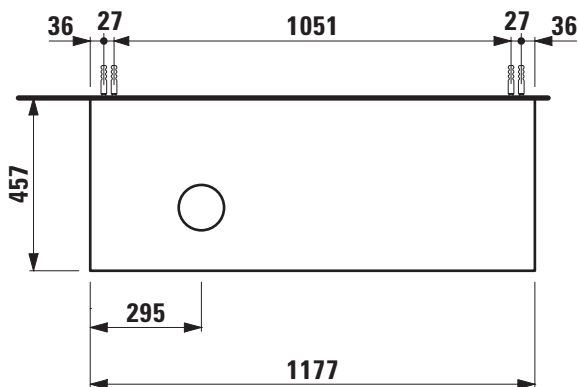
40608.1



TECHNICAL DATA

Order no.	40608.1 / 1 drawer	Accessories excl.	Space saving siphon, order no. 89424.0
Dimensions (WxHxD)	1177 x 347 x 457 mm	Mounting acc. incl.	Installation set for furniture, order no. 49114.0, 49301.5
Matching for	Washbasin bowl, order no. 81285.2, 81285.3	Mounting information	The walls installed on must meet the requirements of the furniture in terms of weight and the supplied fastening elements. If this cannot be guaranteed another method of installation needs to be chosen.
Specification	<p>Body – inside melamine dark grey particle board, outside 6 mm MDF panels</p> <p>Front – inside melamine dark grey</p> <p>Traffic grey: MDF panel, lacquered matt</p> <p>Blacked oak: oak veneer coated particle board with solid oak frame</p> <p>White glossy: MDF panel, lacquered</p> <p>1 cut out left</p> <p>1 push and pull full extension drawer</p>	Colours Body/Front/	<p>627 – Traffic grey</p> <p>628 – Blacked oak</p> <p>631 – White glossy</p>
Weight	<p>627, 631 – 39,5 kg</p> <p>628 – 38,5 kg</p>		

TECHNICAL DRAWINGS / S 1 : 20



THE NEW CLASSIC FURNITURE

Drawer element with cut out right

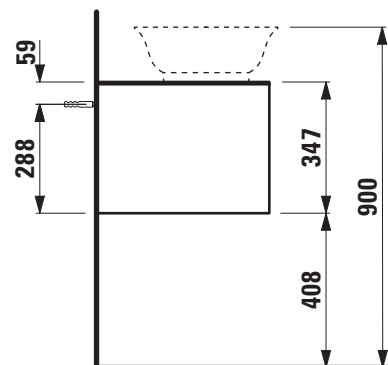
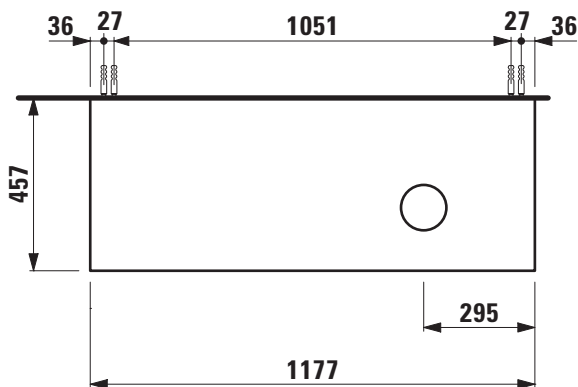
40608.2



TECHNICAL DATA

Order no.	40608.2 / 1 drawer	Accessories excl.	Space saving siphon, order no. 89424.0
Dimensions (WxHxD)	1177 x 347 x 457 mm	Mounting acc. incl.	Installation set for furniture, order no. 49114.0, 49301.5
Matching for	Washbasin bowl, order no. 81285.2, 81285.3	Mounting information	The walls installed on must meet the requirements of the furniture in terms of weight and the supplied fastening elements. If this cannot be guaranteed another method of installation needs to be chosen.
Specification	<p>Body – inside melamine dark grey particle board, outside 6 mm MDF panels</p> <p>Front – inside melamine dark grey</p> <p>Traffic grey: MDF panel, lacquered matt</p> <p>Blacked oak: oak veneer coated particle board with solid oak frame</p> <p>White glossy: MDF panel, lacquered</p> <p>1 cut out right</p> <p>1 push and pull full extension drawer</p>	Colours Body/Front/	<p>627 – Traffic grey</p> <p>628 – Blacked oak</p> <p>631 – White glossy</p>
Weight	<p>627, 631 – 39,5 kg</p> <p>628 – 38,5 kg</p>		

TECHNICAL DRAWINGS / S 1 : 20



THE NEW CLASSIC FURNITURE

Drawer element with cut out

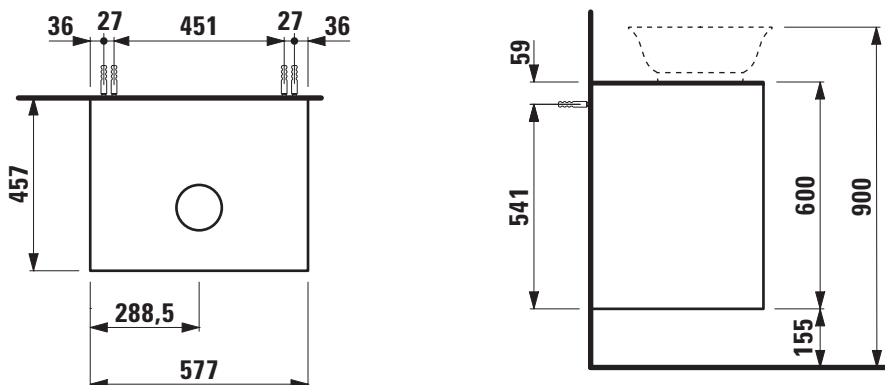
40600.2



TECHNICAL DATA

Order no.	40600.2 / 2 drawers	Mounting acc. incl.	Installation set for furniture, order no. 49114.0, 49301.5
Dimensions (WxHxD)	577 x 600 x 457 mm	Mounting information	The walls installed on must meet the requirements of the furniture in terms of weight and the supplied fastening elements. If this cannot be guaranteed another method of installation needs to be chosen. For example with feet.
Matching for	Washbasin bowl, order no. 81285.2, 81285.3	Colours Body/Front/	627 – Traffic grey 628 – Blacked oak 631 – White glossy
Specification	Body – inside melamine dark grey particle board, outside 6 mm MDF panels Front – inside melamine dark grey Traffic grey: MDF panel, lacquered matt Blacked oak: oak veneer coated particle board with solid oak frame White glossy: MDF panel, lacquered 1 cut out 2 push and pull full extension drawers	Colours Feet	170 – White matt 631 – White glossy
Weight	627, 631 – 35,0 kg 628 – 34,0 kg		
Accessories excl.	Feet (2 pieces), white order no. 40607.4 Space saving siphon, order no. 89424.0		

TECHNICAL DRAWINGS / S 1 : 20



THE NEW CLASSIC FURNITURE

Drawer element with cut out

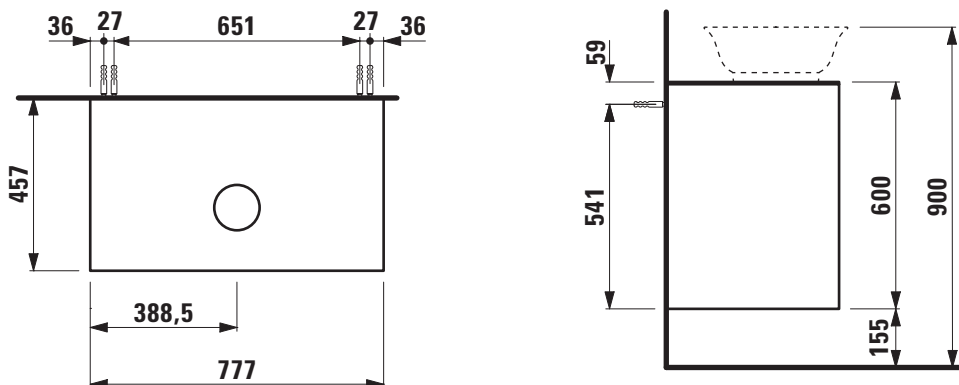
40601.2



TECHNICAL DATA

Order no.	40601.2 / 2 drawers	Mounting acc. incl.	Installation set for furniture, order no. 49114.0, 49301.5
Dimensions (WxHxD)	777 x 600 x 457 mm	Mounting information	The walls installed on must meet the requirements of the furniture in terms of weight and the supplied fastening elements. If this cannot be guaranteed another method of installation needs to be chosen. For example with feet.
Matching for	Washbasin bowl, order no. 81285.2, 81285.3	Colours Body/Front/	627 – Traffic grey 628 – Blacked oak 631 – White glossy
Specification	Body – inside melamine dark grey particle board, outside 6 mm MDF panels Front – inside melamine dark grey Traffic grey: MDF panel, lacquered matt Blacked oak: oak veneer coated particle board with solid oak frame White glossy: MDF panel, lacquered 1 cut out 2 push and pull full extension drawers	Colours Feet	170 – White matt 631 – White glossy
Weight	627, 631 – 38,5 kg 628 – 39,5 kg		
Accessories excl.	Feet (2 pieces), white order no. 40607.4 Space saving siphon, order no. 89424.0		

TECHNICAL DRAWINGS / S 1 : 20



THE NEW CLASSIC FURNITURE

Drawer element with cut out

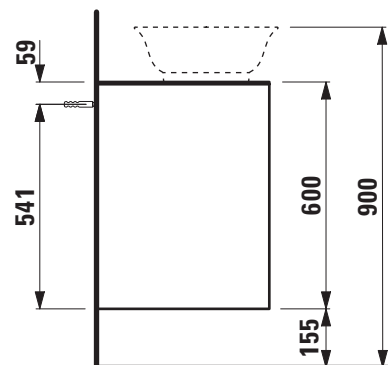
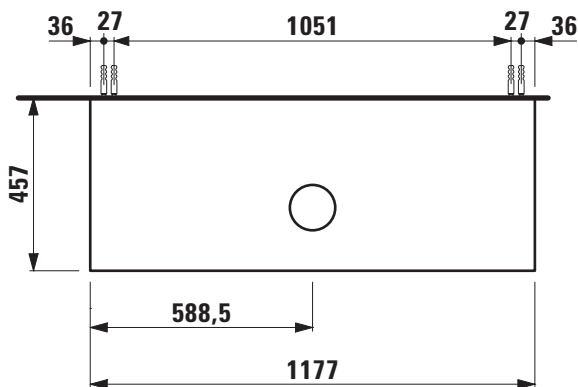
40602.2



TECHNICAL DATA

Order no.	40602.2 / 2 drawers	Mounting acc. incl.	Installation set for furniture, order no. 49114.0, 49301.5
Dimensions (WxHxD)	1177 x 600 x 457 mm	Mounting information	The walls installed on must meet the requirements of the furniture in terms of weight and the supplied fastening elements. If this cannot be guaranteed another method of installation needs to be chosen. For example with feet.
Matching for	Washbasin bowl, order no. 81285.2, 81285.3	Colours Body/Front/	627 – Traffic grey 628 – Blacked oak 631 – White glossy
Specification	Body – inside melamine dark grey particle board, outside 6 mm MDF panels Front – inside melamine dark grey Traffic grey: MDF panel, lacquered matt Blacked oak: oak veneer coated particle board with solid oak frame White glossy: MDF panel, lacquered 1 cut out 2 push and pull full extension drawers	Colours Feet	170 – White matt 631 – White glossy
Weight	627, 631 – 57,5 kg 628 – 54,5 kg		
Accessories excl.	Feet (2 pieces), white order no. 40607.4 Space saving siphon, order no. 89424.0		

TECHNICAL DRAWINGS / S 1 : 20



THE NEW CLASSIC FURNITURE

Drawer element with cut out left

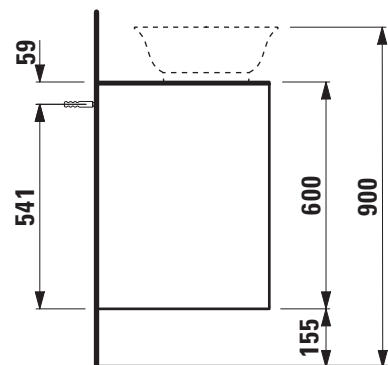
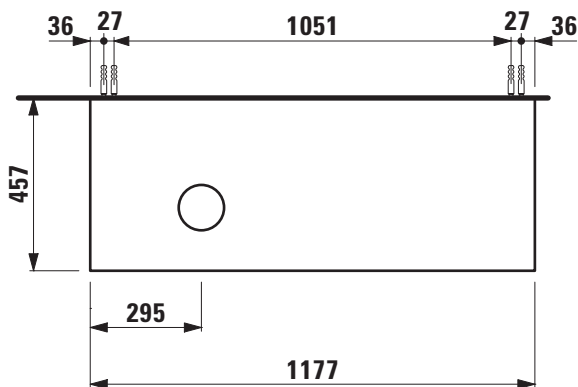
40608.3



TECHNICAL DATA

Order no.	40608.3 / 2 drawers	Mounting acc. incl.	Installation set for furniture, order no. 49114.0, 49301.5
Dimensions (WxHxD)	1177 x 600 x 457 mm	Mounting information	The walls installed on must meet the requirements of the furniture in terms of weight and the supplied fastening elements. If this cannot be guaranteed another method of installation needs to be chosen. For example with feet.
Matching for	Washbasin bowl, order no. 81285.2, 81285.3	Colours Body/Front/	627 – Traffic grey 628 – Blacked oak 631 – White glossy
Specification	Body – inside melamine dark grey particle board, outside 6 mm MDF panels Front – inside melamine dark grey Traffic grey: MDF panel, lacquered matt Blacked oak: oak veneer coated particle board with solid oak frame White glossy: MDF panel, lacquered 1 cut out left 2 push and pull full extension drawers	Colours Feet	170 – White matt 631 – White glossy
Weight	627, 631 – 57,5 kg 628 – 54,5 kg		
Accessories excl.	Feet (2 pieces), white order no. 40607.4 Space saving siphon, order no. 89424.0		

TECHNICAL DRAWINGS / S 1 : 20



THE NEW CLASSIC FURNITURE

Drawer element with cut out right

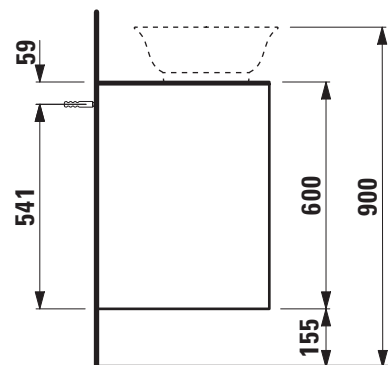
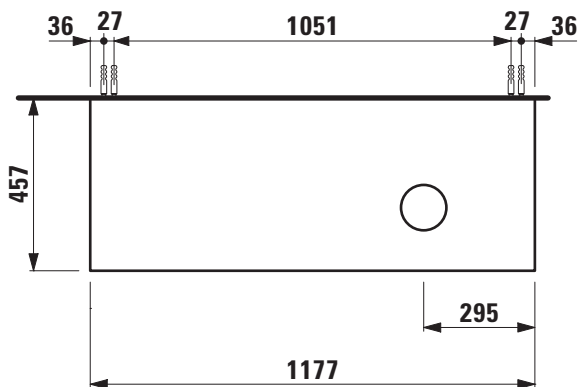
40608.4



TECHNICAL DATA

Order no.	40608.4 / 2 drawers	Mounting acc. incl.	Installation set for furniture, order no. 49114.0, 49301.5
Dimensions (WxHxD)	1177 x 600 x 457 mm	Mounting information	The walls installed on must meet the requirements of the furniture in terms of weight and the supplied fastening elements. If this cannot be guaranteed another method of installation needs to be chosen. For example with feet.
Matching for	Washbasin bowl, order no. 81285.2, 81285.3	Colours Body/Front/	627 – Traffic grey 628 – Blacked oak 631 – White glossy
Specification	Body – inside melamine dark grey particle board, outside 6 mm MDF panels Front – inside melamine dark grey Traffic grey: MDF panel, lacquered matt Blacked oak: oak veneer coated particle board with solid oak frame White glossy: MDF panel, lacquered 1 cut out right 2 push and pull full extension drawers	Colours Feet	170 – White matt 631 – White glossy
Weight	627, 631 – 57,5 kg 628 – 54,5 kg		
Accessories excl.	Feet (2 pieces), white order no. 40607.4 Space saving siphon, order no. 89424.0		

TECHNICAL DRAWINGS / S 1 : 20



THE NEW CLASSIC FURNITURE

Tall cabinet

40606.1

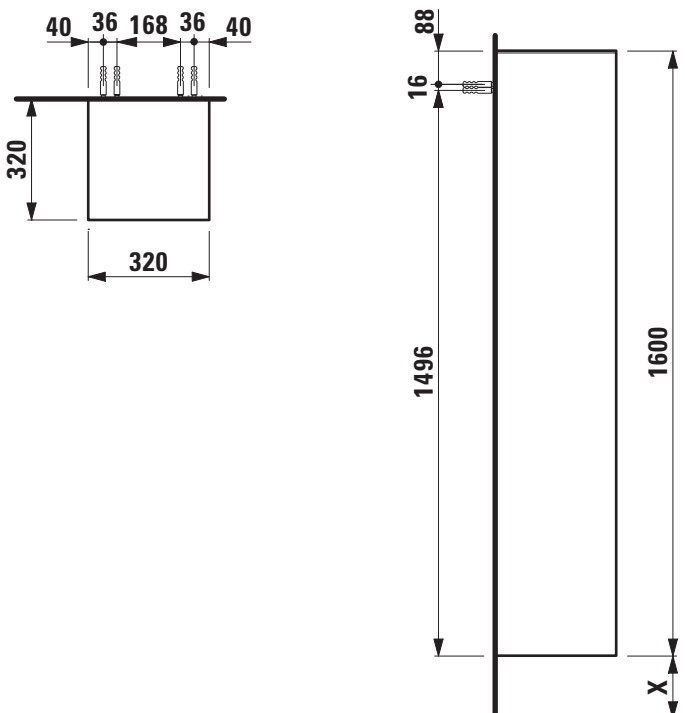
40606.2



TECHNICAL DATA

Order no.	40606.1 / door hinge left 40606.2 / door hinge right	Accessories excl.	Feet (2 pieces), white order no. 40607.4
Dimensions (WxHxD)	320 x 1600 x 320 mm	Mounting acc. incl.	Installation set for furniture, order no. 49302.1
Specification	Body – inside melamine dark grey particle board, outside 6 mm MDF panels Front – inside melamine dark grey Traffic grey: MDF panel, lacquered matt Blacked oak: oak veneer coated particle board with solid oak frame White glossy: MDF panel, lacquered 1 push and pull door 1 fixed shelf melamine dark grey, centered 4 fixed tinted glass shelves	Mounting information	The walls installed on must meet the requirements of the furniture in terms of weight and the supplied fastening elements. If this cannot be guaranteed another method of installation needs to be chosen. For example with feet.
Weight	627, 631 – 38,0 kg / 628 – 33,5 kg	Colours Body/Front/	627 – Traffic grey 628 – Blacked oak 631 – White glossy
		Colours Feet	170 – White matt 631 – White glossy

TECHNICAL DRAWINGS / S 1 : 20



X = The exact height must be set during installation.

THE NEW CLASSIC FURNITURE

Mirror with LED Ambient light

40607.0

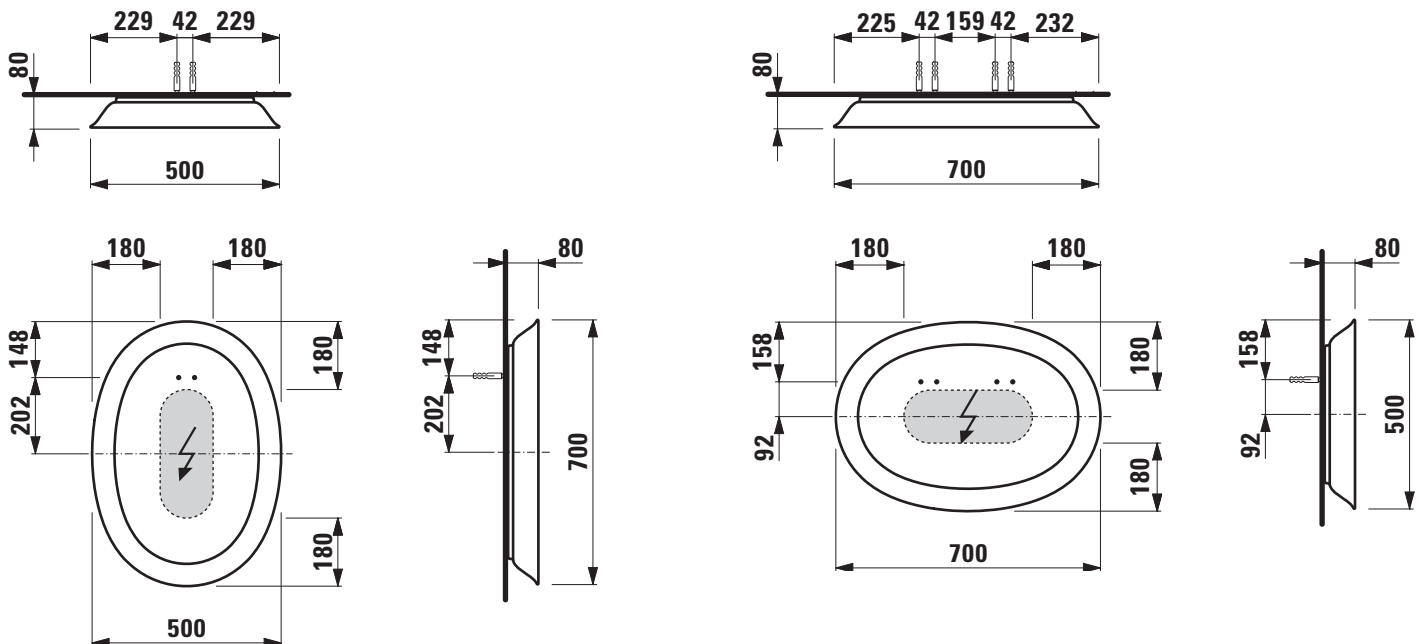


TECHNICAL DATA

Order no.	40607.0
Dimensions (WxHxD)	500 x 700 x 80 mm / 700 x 500 x 80 mm mirror size: 380 x 580 x 4 mm / 580 x 380 x 4 mm
Specification	Backlit mirror on SaphirKeramik shallow bowl For vertical or horizontal installation mirror 4 mm glass hardwired for room switch 1x 12,5W, 4000 Kelvin (daylight), IP44, 200V-240V
Weight	10,0 kg
Mounting acc. incl.	Installation set for mirror, order no. 89685.5

Mounting information	The fortification walls must meet the requirements of the furniture in terms of weight and the supplied fasteners. This can not be guaranteed, another method of attachment is chosen. 230V power supply required.
Colours frame	000 – White glossy, SaphirKeramik 757 – White matt, SaphirKeramik

TECHNICAL DRAWINGS / S 1 : 20



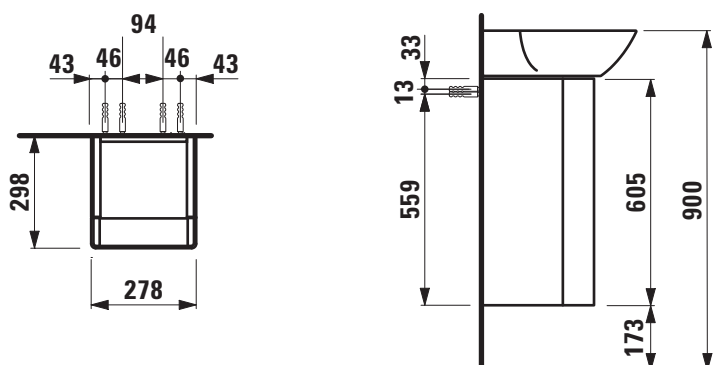
INO FURNITURE



TECHNICAL DATA

Order no.	42530.1 / door hinge left 42530.2 / door hinge right	Accessories excl.	Space saving siphon, order no. 89424.0
Dimensions (WxHxD)	278 x 605 x 298 mm	Mounting acc. incl.	Installation set for furniture, order no. 49401.2
Matching for	washbasin, order no. 81530.1	Mounting information	The walls installed on must meet the requirements of the furniture in terms of weight and the supplied fastening elements. If this cannot be guaranteed another method of installation needs to be chosen.
Specification	Body – melamine coated particle board with ABS edges, inside melamine white White: Front 5 mm aluminium, powder coated Walnut: Front 5 mm aluminium, outside real wood veneer, inside white powder coated Side panels outside real wood veneer, inside white melamine 1 door (soft-close mechanism) with 3 integrated aluminium shelves inside the door 1 fixed shelf (white)	Colours Body/Front	170 – White matt, surface powder coated 171 – Walnut, lacquered surface real wood veneer
Weight	10,0 kg		

TECHNICAL DRAWINGS / S 1 : 20



Vanity unit

42535.1

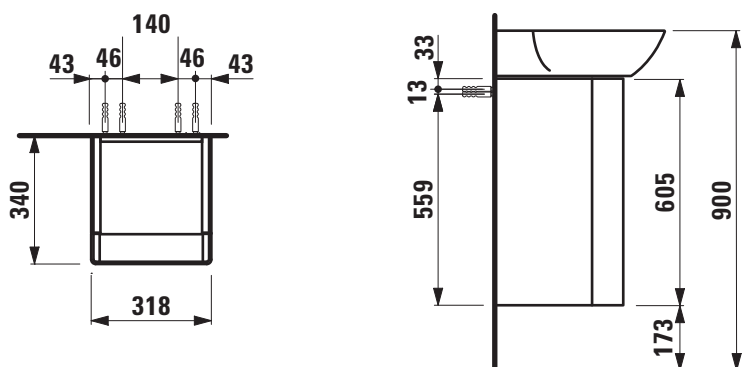
42535.2



TECHNICAL DATA

Order no.	42535.1 / door hinge left 42535.2 / door hinge right	Accessories excl.	Space saving siphon, order no. 89424.0
Dimensions (WxHxD)	318 x 605 x 340 mm	Mounting acc. incl.	Installation set for furniture, order no. 49401.2
Matching for	washbasin, order no. 81030.2	Mounting information	The walls installed on must meet the requirements of the furniture in terms of weight and the supplied fastening elements. If this cannot be guaranteed another method of installation needs to be chosen.
Specification	Body – melamine coated particle board with ABS edges, inside melamine white White: Front 5 mm aluminium, powder coated Walnut: Front 5 mm aluminium, outside real wood veneer, inside white powder coated Side panels outside real wood veneer, inside white melamine 1 door (soft-close mechanism) with 3 integrated aluminium shelves inside the door 1 fixed shelf (white)	Colours Body/Front	170 – White matt, surface powder coated 171 – Walnut, lacquered surface real wood veneer
Weight	12,0 kg		

TECHNICAL DRAWINGS / S 1 : 20

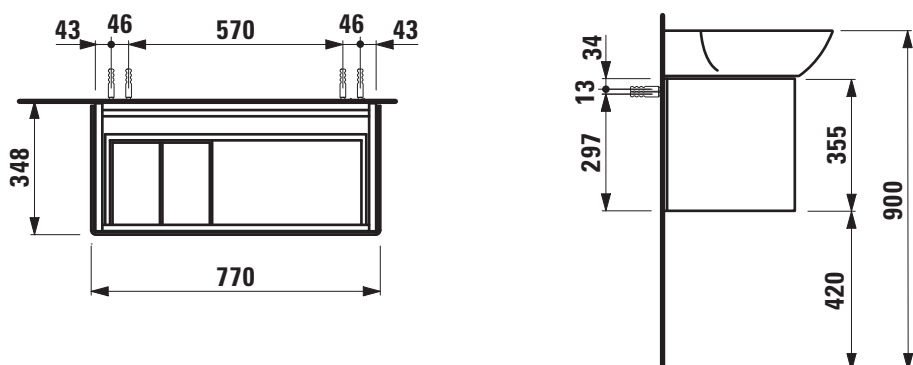




TECHNICAL DATA

Order no.	42540.1 / 1 drawer	Accessories excl.	hanging storage units for inside drawer, order no. 49541.1
Dimensions (WxHxD)	770 x 355 x 348 mm		Space saving siphon, order no. 89424.0
Matching for	washbasin, order no. 81330.1, 81330.2	Mounting acc. incl.	Installation set for furniture, order no. 49401.2
Specification	<p>Body – melamine coated particle board with ABS edges, outside lacquered white matt, inside melamine white</p> <p>White: 3-sided drawer 5 mm aluminium front, outside and inside powder coated</p> <p>Veneer: 3-sided drawer 5 mm aluminium front, outside real wood veneer, inside powder coated</p> <p>1 push and pull full extension drawer with metal sides</p>	Mounting information	The walls installed on must meet the requirements of the furniture in terms of weight and the supplied fastening elements. If this cannot be guaranteed another method of installation needs to be chosen.
Weight	21,0 kg	Colours Body/Front	170 – White matt, surface powder coated 171 – Walnut, lacquered surface real wood veneer

TECHNICAL DRAWINGS / S 1 : 20



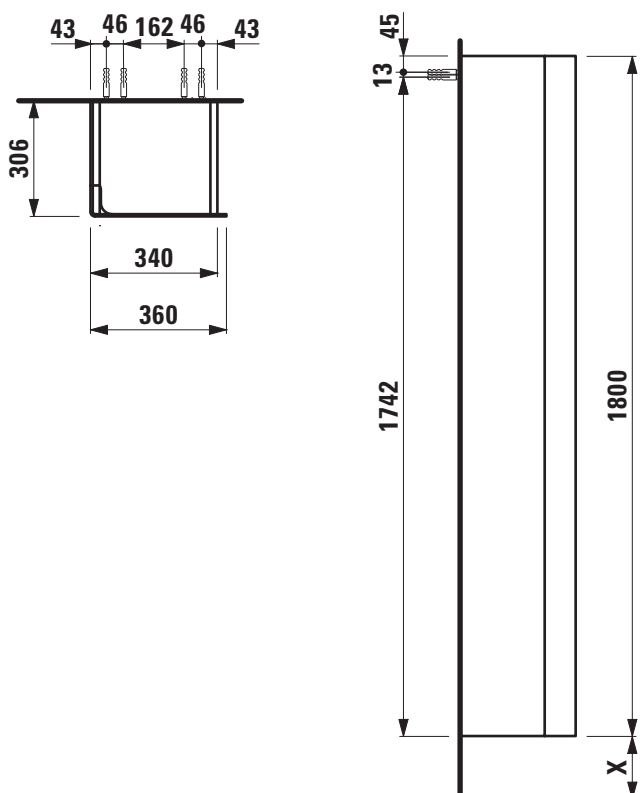


TECHNICAL DATA

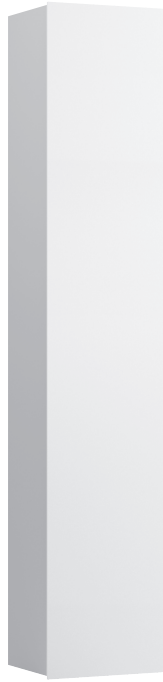
Order no.	42545.1 / door hinge left
Dimensions (WxHxD)	360 x 1800 x 306 mm
Specification	Body/Front – hand lacquered melamine coated particle board with ABS edges, inside melamine white White: Front 5 mm aluminium, powder coated Walnut: Front 5 mm aluminium, outside real wood veneer, inside white powder coated 1 door (soft-close mechanism) with 5 integrated aluminium shelves inside the door 5 fixed shelves (white)
Weight	35,0 kg
Mounting acc. incl.	Installation set for furniture, order no. 49401.2

Mounting information	The walls installed on must meet the requirements of the furniture in terms of weight and the supplied fastening elements. If this cannot be guaranteed another method of installation needs to be chosen. For example with feet.
Colours Body/Front	170 – White matt, surface powder coated 171 – Walnut, lacquered surface real wood veneer

TECHNICAL DRAWINGS / S 1 : 20



X = The exact height must be set during installation.

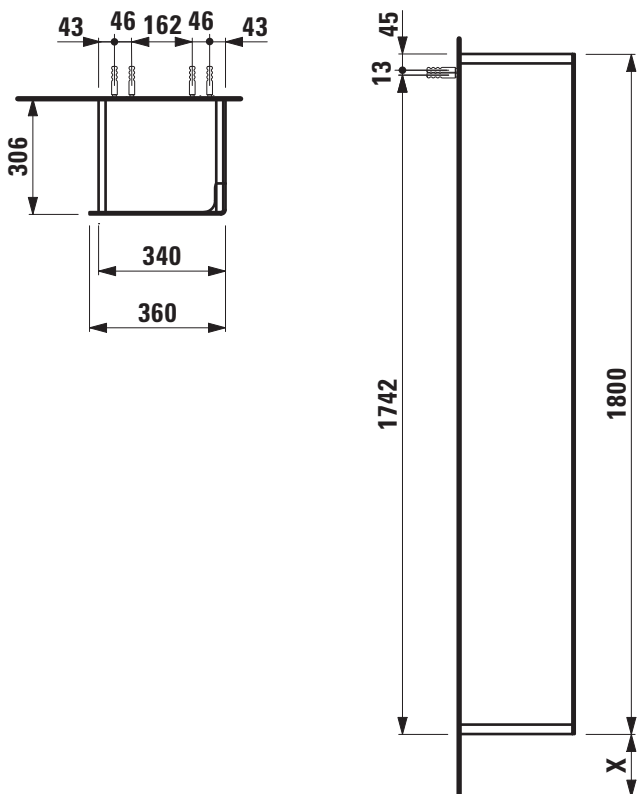


TECHNICAL DATA

Order no.	42545.2 / door hinge right
Dimensions (WxHxD)	360 x 1800 x 306 mm
Specification	Body/Front – hand lacquered melamine coated particle board with ABS edges, inside melamine white White: Front 5 mm aluminium, powder coated Walnut: Front 5 mm aluminium, outside real wood veneer, inside white powder coated 1 door (soft-close mechanism) with 5 integrated aluminium shelves inside the door 5 fixed shelves (white)
Weight	35,0 kg
Mounting acc. incl.	Installation set for furniture, order no. 49401.2

Mounting information	The walls installed on must meet the requirements of the furniture in terms of weight and the supplied fastening elements. If this cannot be guaranteed another method of installation needs to be chosen. For example with feet.
Colours Body/Front	170 – White matt, surface powder coated 171 – Walnut, lacquered surface real wood veneer

TECHNICAL DRAWINGS / S 1 : 20



X = The exact height must be set during installation.

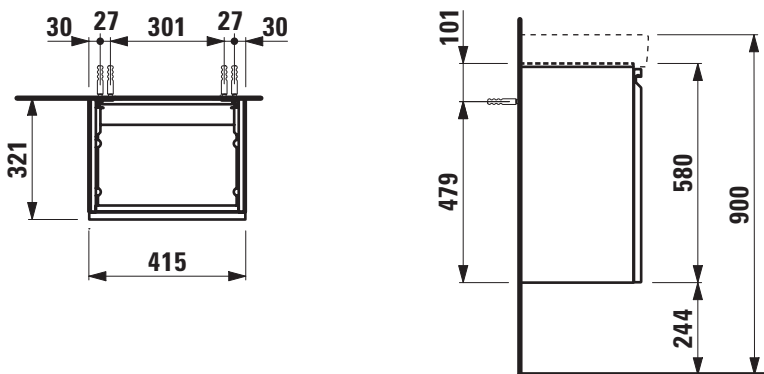
LAUFEN PRO S FURNITURE



TECHNICAL DATA

Order no.	48330.1 / door hinge left 48330.2 / door hinge right	Mounting information	The walls installed on must meet the requirements of the furniture in terms of weight and the supplied fastening elements. If this cannot be guaranteed another method of installation needs to be chosen. For example with feet.
Dimensions (WxHxD)	415 x 580 x 321 mm		
Matching for	Washbasin, order no. 81596.1	Colours	463 – White matt 475 – White glossy 423 – Wenge 479 – Bright oak 480 – Graphite 999 – 39 other lacquered colours
Specification	Body/Front – MDF board with PVC foil Integrated handle in the front		
Weight	48330.1 / 15,0 kg 48330.2 / 15,0 kg		
Accessories excl.	Feet (2 pieces), aluminium, order no. 48310.0 Space saving siphon, order no. 89424.0		
Mounting acc. incl.	Installation set for furniture, order no. 49120.6, 49114.0		

TECHNICAL DRAWINGS / S 1 : 20

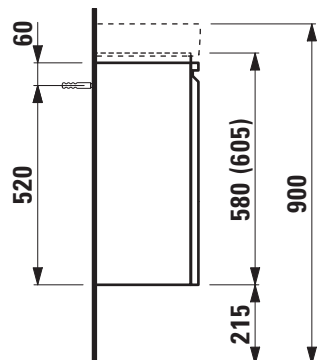
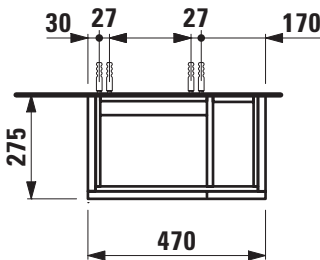




TECHNICAL DATA

Order no.	48300.1 / door hinge left	Mounting acc. incl.	Installation set for furniture, order no. 49120.6, 49114.0
Dimensions (WxHxD)	470 x 605 x 275 mm	Mounting information	The walls installed on must meet the requirements of the furniture in terms of weight and the supplied fastening elements. If this cannot be guaranteed another method of installation needs to be chosen. For example with feet.
matching for	Washbasin, order no. 81595.5	Colours	463 – White matt 475 – White glossy 423 – Wenge 479 – Bright oak 480 – Graphite 999 – 39 other lacquered colours
Specification	Body/Front – MDF board with PVC foil Integrated handle in the front 1 door 1 shelf (adjustable) 1 shelf right, side open		
Weight	17,5 kg		
Accessories excl.	Feet (2 pieces), aluminium, order no. 48310.4 Space saving siphon, order no. 89424.0		

TECHNICAL DRAWINGS / S 1 : 20

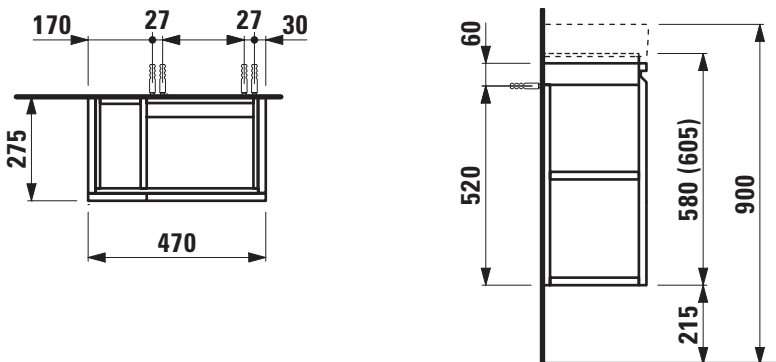




TECHNICAL DATA

Order no.	48300.2 / door hinge right	Mounting acc. incl.	Installation set for furniture, order no. 49120.6, 49114.0
Dimensions (WxHxD)	470 x 605 x 275 mm	Mounting information	The walls installed on must meet the requirements of the furniture in terms of weight and the supplied fastening elements. If this cannot be guaranteed another method of installation needs to be chosen. For example with feet.
matching for	Washbasin, order no. 81595.4	Colours	463 – White matt 475 – White glossy 423 – Wenge 479 – Bright oak 480 – Graphite 999 – 39 other lacquered colours
Specification	Body/Front – MDF board with PVC foil Integrated handle in the front 1 door 1 shelf (adjustable) 1 shelf left, side open		
Weight	17,5 kg		
Accessories excl.	Feet (2 pieces), aluminium, order no. 48310.4 Space saving siphon, order no. 89424.0		

TECHNICAL DRAWINGS / S 1 : 20





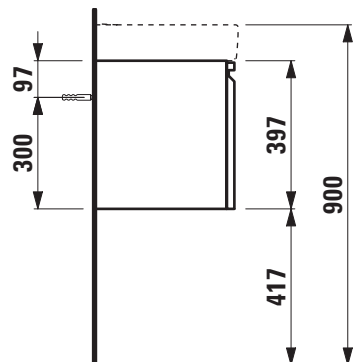
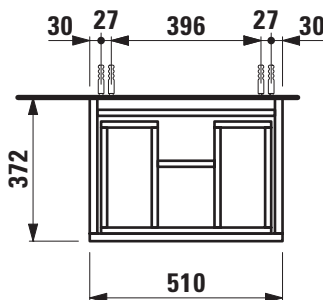
TECHNICAL DATA

Order no.	48302.1 / 1 drawer 48302.2 / 1 drawer, 1 interior drawer
Dimensions (WxHxD)	510 x 397 x 372 mm
matching for	Washbasin, order no. 81895.8
Specification	Body/Front – MDF board with PVC foil Integrated handle in the front
Weight	48302.1 / 18,0 kg 48302.2 / 22,0 kg
Accessories excl.	Feet (2 pieces), aluminium, order no. 48310.1 Towel rail, anodized aluminium, order no. 49095.0 Space saving siphon, order no. 89424.0
Mounting acc. incl.	Installation set for furniture, order no. 49120.6, 49114.0

Mounting information The walls installed on must meet the requirements of the furniture in terms of weight and the supplied fastening elements. If this cannot be guaranteed another method of installation needs to be chosen. For example with feet.

Colours	463 – White matt 475 – White glossy 423 – Wenge 479 – Bright oak 480 – Graphite 999 – 39 other lacquered colours
----------------	---

TECHNICAL DRAWINGS / S 1 : 20

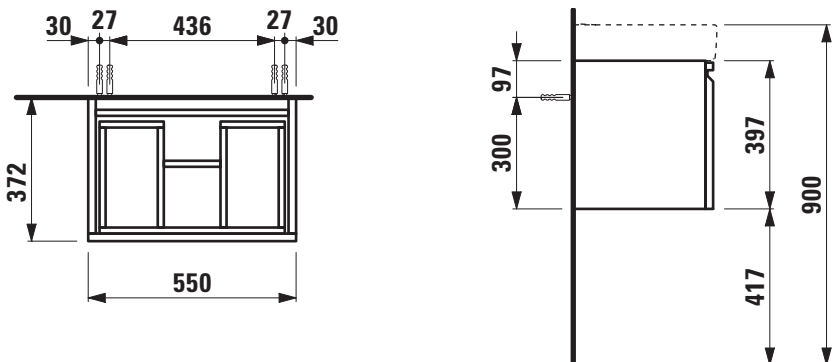




TECHNICAL DATA

Order no.	48303.1 / 1 drawer 48303.2 / 1 drawer, 1 interior drawer	Mounting information	The walls installed on must meet the requirements of the furniture in terms of weight and the supplied fastening elements. If this cannot be guaranteed another method of installation needs to be chosen. For example with feet.
Dimensions (WxHxD)	550 x 397 x 372 mm	Colours	463 – White matt 475 – White glossy 423 – Wenge 479 – Bright oak 480 – Graphite 999 – 39 other lacquered colours
matching for	Washbasin, order no. 81895.9		
Specification	Body/Front – MDF board with PVC foil Integrated handle in the front		
Weight	48303.1 / 18,25 kg 48303.2 / 22,25 kg		
Accessories excl.	Feet (2 pieces), aluminium, order no. 48310.1 Towel rail, anodized aluminium, order no. 49095.0 Space saving siphon, order no. 89424.0		
Mounting acc. incl.	Installation set for furniture, order no. 49120.6, 49114.0		

TECHNICAL DRAWINGS / S 1 : 20



Vanity unit

48335.1

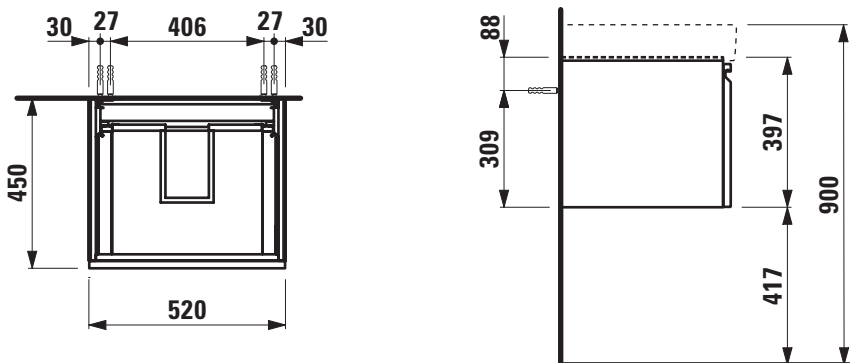
48335.2



TECHNICAL DATA

Order no.	48335.1 / 1 drawer 48335.2 / 1 drawer, 1 interior drawer	Mounting acc. incl.	Installation set for furniture, order no. 49120.6, 49114.0
Dimensions (WxHxD)	520 x 397 x 450 mm	Mounting information	The walls installed on must meet the requirements of the furniture in terms of weight and the supplied fastening elements. If this cannot be guaranteed another method of installation needs to be chosen. For example with feet.
Matching for	Washbasin, order no. 81096.2	Colours	463 – White matt 475 – White glossy 423 – Wenge 479 – Bright oak 480 – Graphite 999 – 39 other lacquered colours
Specification	Body/Front – MDF board with PVC foil Integrated handle in the front		
Weight	48335.1 / 19,0 kg 48335.2 / 23,5 kg		
Accessories incl.	Drawer organizer, U-shaped, order no. 49611.3 (only 48335.2)		
Accessories excl.	Feet (2 pieces), aluminium, order no. 48310.1 Towel rail, anodized aluminium, order no. 49095.2 Space saving siphon, order no. 89424.0		

TECHNICAL DRAWINGS / S 1 : 20



Vanity unit

48337.1

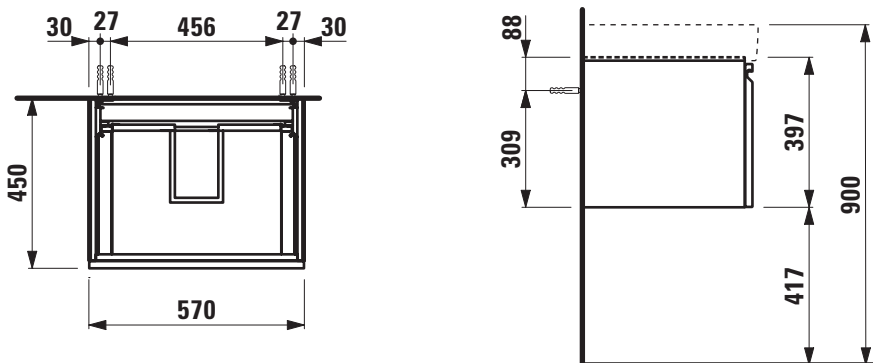
48337.2



TECHNICAL DATA

Order no.	48337.1 / 1 drawer 48337.2 / 1 drawer, 1 interior drawer	Mounting acc. incl.	Installation set for furniture, order no. 49120.6, 49114.0
Dimensions (WxHxD)	570 x 397 x 450 mm	Mounting information	The walls installed on must meet the requirements of the furniture in terms of weight and the supplied fastening elements. If this cannot be guaranteed another method of installation needs to be chosen. For example with feet.
Matching for	Washbasin, order no. 81096.3	Colours	463 – White matt 475 – White glossy 423 – Wenge 479 – Bright oak 480 – Graphite 999 – 39 other lacquered colours
Specification	Body/Front – MDF board with PVC foil Integrated handle in the front		
Weight	48337.1 / 21,0 kg 48337.2 / 25,0 kg		
Accessories incl.	Drawer organizer, U-shaped, order no. 49611.3 (only 48337.2)		
Accessories excl.	Feet (2 pieces), aluminium, order no. 48310.1 Towel rail, anodized aluminium, order no. 49095.2 Space saving siphon, order no. 89424.0		

TECHNICAL DRAWINGS / S 1 : 20



Vanity unit

48342.1

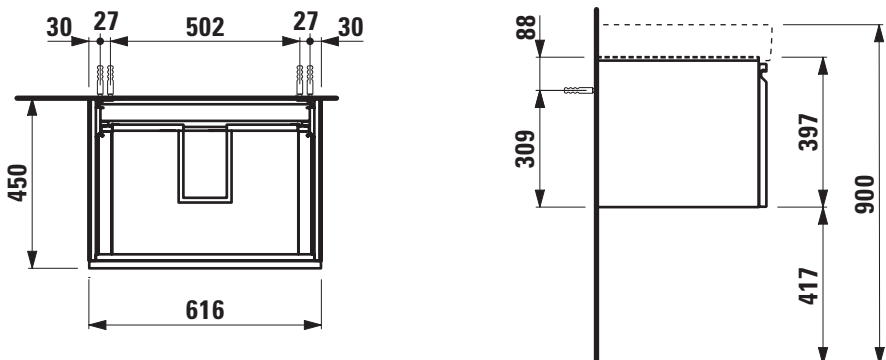
48342.2



TECHNICAL DATA

Order no.	48342.1 / 1 drawer 48342.2 / 1 drawer, 1 interior drawer	Mounting acc. incl.	Installation set for furniture, order no. 49120.6, 49114.0
Dimensions (WxHxD)	616 x 397 x 450 mm	Mounting information	The walls installed on must meet the requirements of the furniture in terms of weight and the supplied fastening elements. If this cannot be guaranteed another method of installation needs to be chosen. For example with feet.
Matching for	Washbasin, order no. 81096.4	Colours	463 – White matt 475 – White glossy 423 – Wenge 479 – Bright oak 480 – Graphite 999 – 39 other lacquered colours
Specification	Body/Front – MDF board with PVC foil Integrated handle in the front		
Weight	48342.1 / 22,0 kg 48342.2 / 27,0 kg		
Accessories incl.	Drawer organizer, U-shaped, order no. 49611.3 (only 48342.2)		
Accessories excl.	Feet (2 pieces), aluminium, order no. 48310.1 Towel rail, anodized aluminium, order no. 49095.2 Space saving siphon, order no. 89424.0		

TECHNICAL DRAWINGS / S 1 : 20

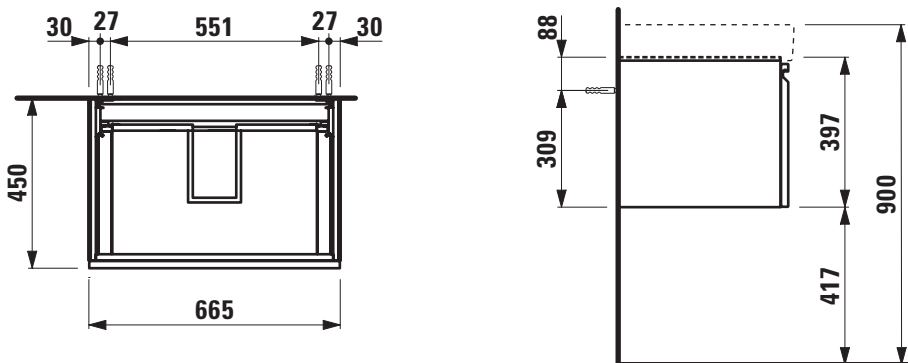




TECHNICAL DATA

Order no.	48345.1 / 1 drawer 48345.2 / 1 drawer, 1 interior drawer	Mounting acc. incl.	Installation set for furniture, order no. 49120.6, 49114.0
Dimensions (WxHxD)	665 x 397 x 450 mm	Mounting information	The walls installed on must meet the requirements of the furniture in terms of weight and the supplied fastening elements. If this cannot be guaranteed another method of installation needs to be chosen. For example with feet.
Matching for	Washbasin, order no. 81096.7	Colours	463 – White matt 475 – White glossy 423 – Wenge 479 – Bright oak 480 – Graphite 999 – 39 other lacquered colours
Specification	Body/Front – MDF board with PVC foil Integrated handle in the front		
Weight	48345.1 / 23,0 kg 48345.2 / 28,0 kg		
Accessories incl.	Drawer organizer, U-shaped, order no. 49611.3 (only 48345.2)		
Accessories excl.	Feet (2 pieces), aluminium, order no. 48310.1 Towel rail, anodized aluminium, order no. 49095.2 Space saving siphon, order no. 89424.0		

TECHNICAL DRAWINGS / S 1 : 20

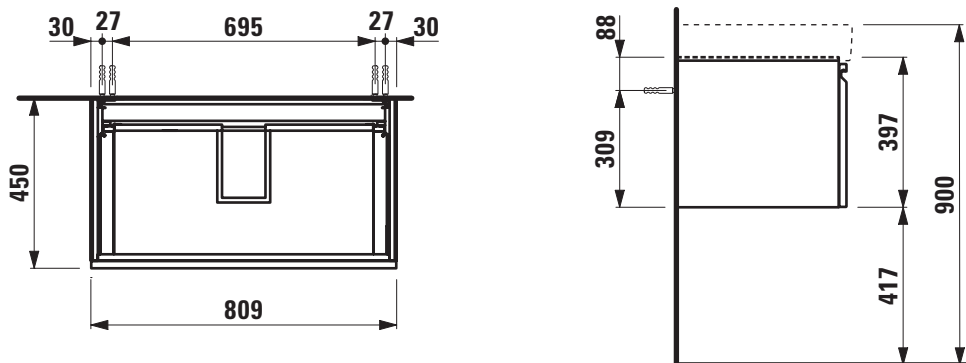




TECHNICAL DATA

Order no.	48350.1 / 1 drawer 48350.2 / 1 drawer, 1 interior drawer	Mounting acc. incl.	Installation set for furniture, order no. 49120.6, 49114.0
Dimensions (WxHxD)	809 x 397 x 450 mm	Mounting information	The walls installed on must meet the requirements of the furniture in terms of weight and the supplied fastening elements. If this cannot be guaranteed another method of installation needs to be chosen. For example with feet.
Matching for	Washbasin, order no. 81396.5	Colours	463 – White matt 475 – White glossy 423 – Wenge 479 – Bright oak 480 – Graphite 999 – 39 other lacquered colours
Specification	Body/Front – MDF board with PVC foil Integrated handle in the front		
Weight	48350.1 / 25,0 kg 48350.2 / 31,0 kg		
Accessories incl.	Drawer organizer, U-shaped, order no. 49611.3 (only 48350.2)		
Accessories excl.	Feet (2 pieces), aluminium, order no. 48310.1 Towel rail, anodized aluminium, order no. 49095.2 Space saving siphon, order no. 89424.0		

TECHNICAL DRAWINGS / S 1 : 20

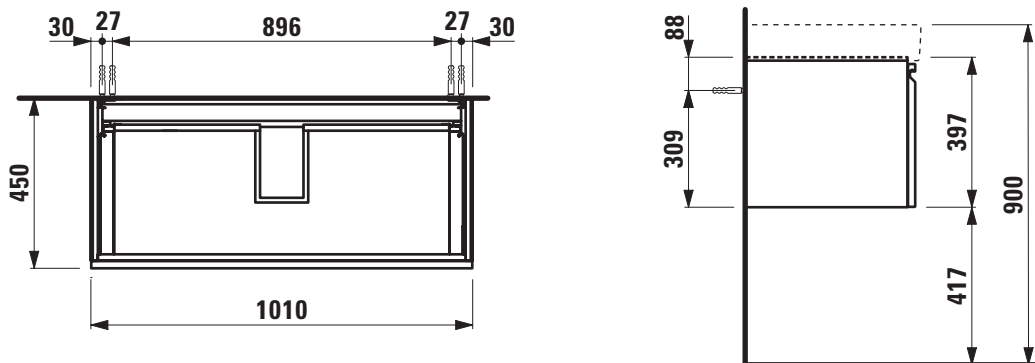




TECHNICAL DATA

Order no.	48355.1 / 1 drawer 48355.2 / 1 drawer, 1 interior drawer	Mounting acc. incl.	Installation set for furniture, order no. 49120.6, 49114.0
Dimensions (WxHxD)	1010 x 397 x 450 mm	Mounting information	The walls installed on must meet the requirements of the furniture in terms of weight and the supplied fastening elements. If this cannot be guaranteed another method of installation needs to be chosen. For example with feet.
Matching for	Washbasin, order no. 81396.6	Colours	463 – White matt 475 – White glossy 423 – Wenge 479 – Bright oak 480 – Graphite 999 – 39 other lacquered colours
Specification	Body/Front – MDF board with PVC foil Integrated handle in the front		
Weight	48355.1 / 28,5 kg 48355.2 / 35,0 kg		
Accessories incl.	Drawer organizer, U-shaped, order no. 49611.3 (only 48355.2)		
Accessories excl.	Feet (2 pieces), aluminium, order no. 48310.1 Towel rail, anodized aluminium, order no. 49095.2 Space saving siphon, order no. 89424.0		

TECHNICAL DRAWINGS / S 1 : 20

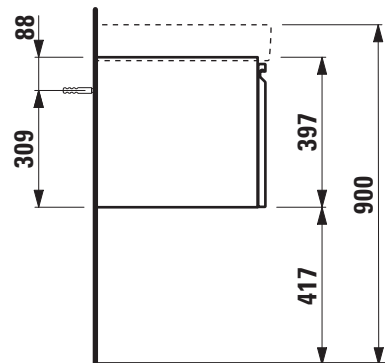
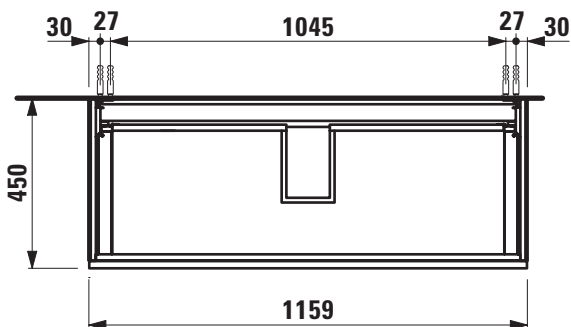




TECHNICAL DATA

Order no.	48356.1 / 1 drawer 48356.2 / 1 drawer, 1 interior drawer	Mounting acc. incl.	Installation set for furniture, order no. 49120.6, 49114.0
Dimensions (WxHxD)	1159 x 397 x 450 mm	Mounting information	The walls installed on must meet the requirements of the furniture in terms of weight and the supplied fastening elements. If this cannot be guaranteed another method of installation needs to be chosen. For example with feet.
Matching for	Washbasin, order no. 81496.5	Colours	463 – White matt 475 – White glossy 423 – Wenge 479 – Bright oak 480 – Graphite 999 – 39 other lacquered colours
Specification	Body/Front – MDF board with PVC foil Integrated handle in the front		
Weight	48356.1 / 31,5 kg 48356.2 / 39,0 kg		
Accessories incl.	Drawer organizer, U-shaped, order no. 49611.3 (only 48356.2)		
Accessories excl.	Feet (2 pieces), aluminium, order no. 48310.1 Towel rail, anodized aluminium, order no. 49095.2 Space saving siphon, order no. 89424.0		

TECHNICAL DRAWINGS / S 1 : 20



LAUFEN PRO S FURNITURE

Vanity unit

48356.3

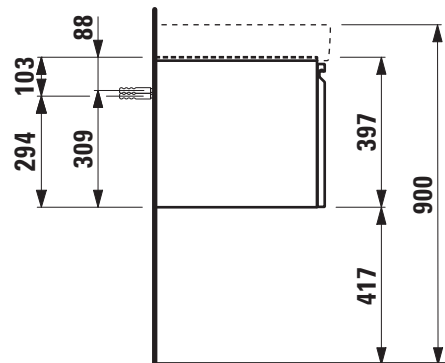
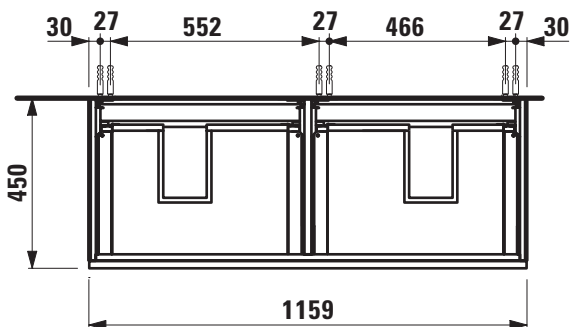
48356.4



TECHNICAL DATA

Order no.	48356.3 / 2 drawers 48356.4 / 2 drawers, 2 interior drawers	Mounting acc. incl.	Installation set for furniture, order no. 49120.6, 49260.5
Dimensions (WxHxD)	1159 x 397 x 450 mm	Mounting information	The walls installed on must meet the requirements of the furniture in terms of weight and the supplied fastening elements. If this cannot be guaranteed another method of installation needs to be chosen. For example with feet.
Matching for	Double washbasin, order no. 81496.6	Colours	463 – White matt 475 – White glossy 423 – Wenge 479 – Bright oak 480 – Graphite 999 – 39 other lacquered colours
Specification	Body/Front – MDF board with PVC foil Integrated handle in the front		
Weight	48356.3 / 37,0 kg 48356.4 / 45,5 kg		
Accessories incl.	2 drawer organizers, U-shaped, order no. 49611.3 (only 48356.4)		
Accessories excl.	Feet (2 pieces), aluminium, order no. 48310.1 Towel rail, anodized aluminium, order no. 49095.2 Space saving siphon, order no. 89424.0		

TECHNICAL DRAWINGS / S 1 : 20



LAUFEN PRO S FURNITURE

Vanity unit

48357.1

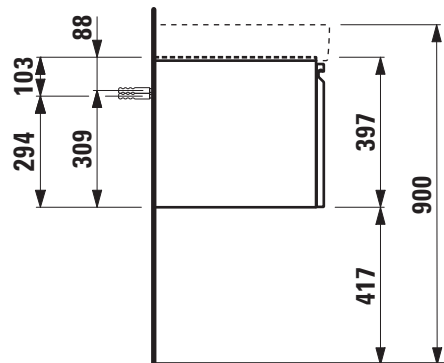
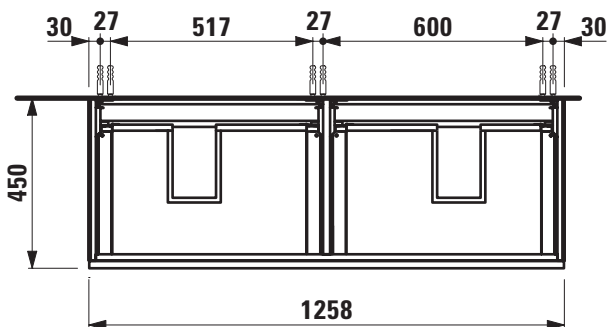
48357.2



TECHNICAL DATA

Order no.	48357.1 / 2 drawers 48357.2 / 2 drawers, 2 interior drawers	Mounting acc. incl.	Installation set for furniture, order no. 49120.6, 49260.5
Dimensions (WxHxD)	1258 x 397 x 450 mm	Mounting information	The walls installed on must meet the requirements of the furniture in terms of weight and the supplied fastening elements. If this cannot be guaranteed another method of installation needs to be chosen. For example with feet.
Matching for	Double washbasin, order no. 81496.8	Colours	463 – White matt 475 – White glossy 423 – Wenge 479 – Bright oak 480 – Graphite 999 – 39 other lacquered colours
Specification	Body/Front – MDF board with PVC foil Integrated handle in the front		
Weight	48357.1 / 40,0 kg 48357.2 / 49,0 kg		
Accessories incl.	2 drawer organizers, U-shaped, order no. 49611.3 (only 48357.2)		
Accessories excl.	Feet (2 pieces), aluminium, order no. 48310.1 Towel rail, anodized aluminium, order no. 49095.2 Space saving siphon, order no. 89424.0		

TECHNICAL DRAWINGS / S 1 : 20



LAUFEN PRO / LAUFEN PRO S FURNITURE

Medium Cabinet

48311.1

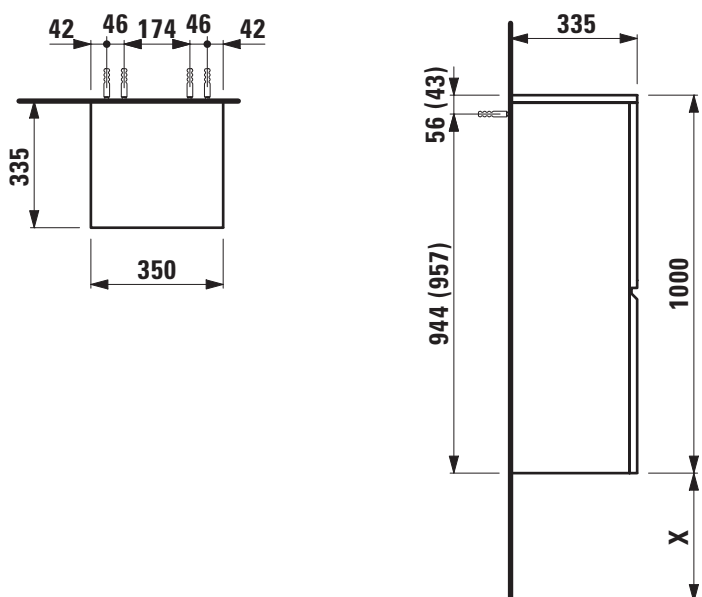
48311.2



TECHNICAL DATA

Order no.	48311.1 / door hinge left 48311.2 / door hinge right	Mounting acc. incl.	Installation set for furniture, order no. 49664.0, 49401.2
Dimensions (WxHxD)	350 x 1000 x 335 mm	Mounting information	The walls installed on must meet the requirements of the furniture in terms of weight and the supplied fastening elements. If this cannot be guaranteed another method of installation needs to be chosen. For example with feet.
Specification	Body/Front – MDF board with PVC foil Integrated handle in the front 1 door 2 glass shelves	Colours	463 – White 475 – White glossy 423 – Wenge 479 – Bright oak (only Laufen Pro S) 480 – Graphite (only Laufen Pro S) 999 – 39 other lacquered colours
Weight	25,0 kg		
Accessories excl.	Feet (2 pieces), aluminium, height X / order no. for combination with vanity units Laufen Pro: 165 mm / 48309.1, 279 mm / 48309.3, 345 mm / 48310.3 Feet (2 pieces), aluminium, height X / order no. for combination with vanity units Laufen Pro S: 215 mm / 48310.4, 244 mm / 48310.0, 417 mm / 48310.1, 440 mm / 48310.2		

TECHNICAL DRAWINGS / S 1 : 20



X = The exact height must be set during installation.

LAUFEN PRO / LAUFEN PRO S FURNITURE

Tall cabinet

48312.1

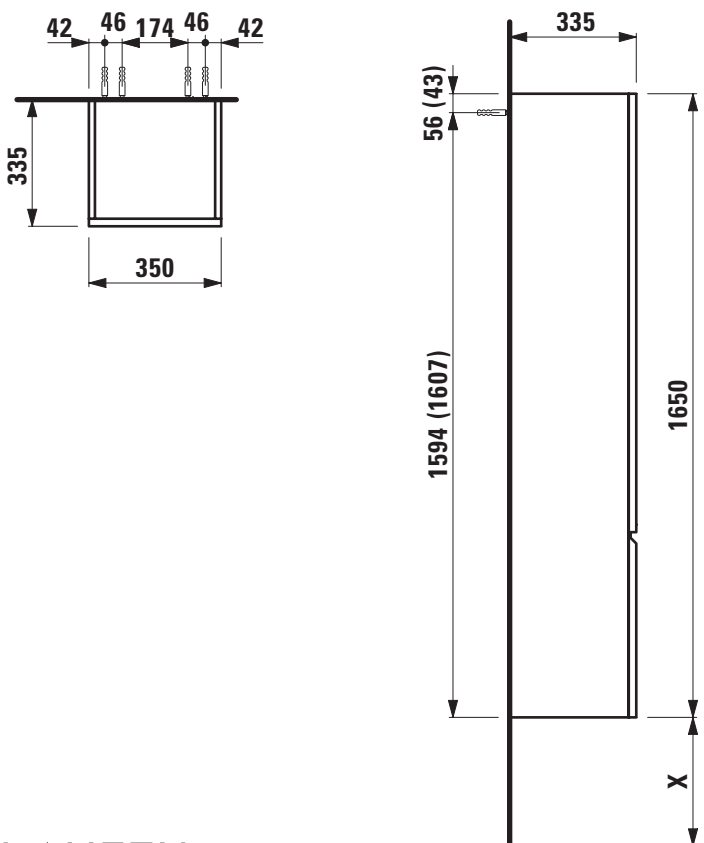
48312.2



TECHNICAL DATA

Order no.	48312.1 / door hinge left 48312.2 / door hinge right	Mounting acc. incl.	Installation set for furniture, order no. 49664.0, 49401.2
Dimensions (WxHxD)	350 x 1650 x 335 mm	Mounting information	The walls installed on must meet the requirements of the furniture in terms of weight and the supplied fastening elements. If this cannot be guaranteed another method of installation needs to be chosen. For example with feet.
Specification	Body/Front – MDF board with PVC foil Integrated handle in the front 1 door, 4 glass shelves	Colours	463 – White 475 – White glossy 423 – Wenge 479 – Bright oak (only Laufen Pro S) 480 – Graphite (only Laufen Pro S) 999 – 39 other lacquered colours
Weight	38,0 kg		
Accessories excl.	Feet (2 pieces), aluminium, height X / order no. for combination with vanity units Laufen Pro: 165 mm / 48309.1, 279 mm / 48309.3, 345 mm / 48310.3 Feet (2 pieces), aluminium, height X / order no. for combination with vanity units Laufen Pro S: 215 mm / 48310.4, 244 mm / 48310.0, 417 mm / 48310.1, 440 mm / 48310.2		

TECHNICAL DRAWINGS / S 1 : 20



X = The exact height must be set during installation.

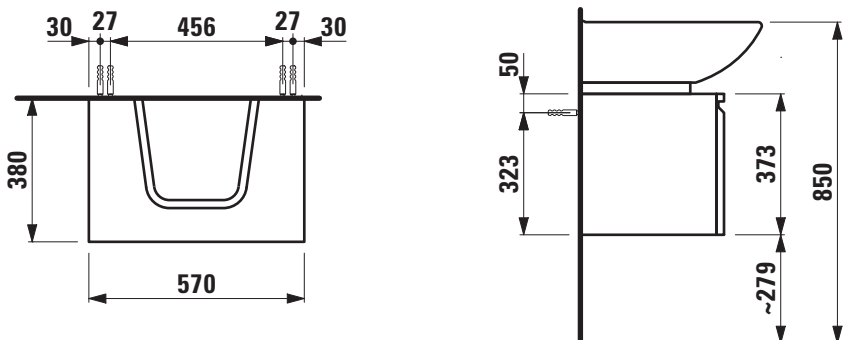
LAUFEN PRO FURNITURE



TECHNICAL DATA

Order no.	48303.5	Mounting acc. incl.	Installation set for furniture, order no. 49120.6, 49114.0
Dimensions (WxHxD)	570 x 373 x 380 mm	Mounting information	The walls installed on must meet the requirements of the furniture in terms of weight and the supplied fastening elements. If this cannot be guaranteed another method of installation needs to be chosen. For example with feet.
Matching for	Washbasin, order no. 81095.1, 81095.2, 81095.3	Colours	463 – White matt 475 – White glossy 423 – Wenge 999 – 39 other lacquered colours
Specification	Body/Front – MDF board with PVC foil Integrated handle in the front With cut out for washbasin Laufen Pro B With collar, chromed 1 drawer		
Weight	20,0 kg		
Accessories excl.	Feet (2 pieces), aluminium, order no. 48309.3 Towel rail, anodized aluminium, order no. 49095.1 Space saving siphon, order no. 89424.0		

TECHNICAL DRAWINGS / S 1 : 20



Vanity unit

48301.1

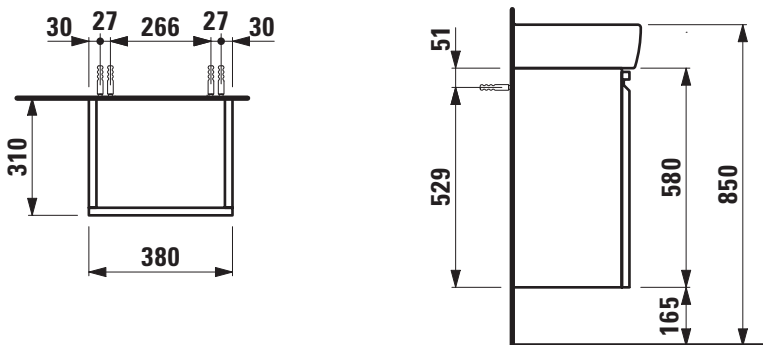
48301.2



TECHNICAL DATA

Order no.	48301.1 / door hinge left 48301.2 / door hinge right	Mounting acc. incl.	Installation set for furniture, order no. 49120.6, 49114.0
Dimensions (WxHxD)	380 x 580 x 310 mm	Mounting information	The walls installed on must meet the requirements of the furniture in terms of weight and the supplied fastening elements. If this cannot be guaranteed another method of installation needs to be chosen. For example with feet.
Matching for	Washbasin, order no. 81195.1	Colours	463 – White matt 475 – White glossy 423 – Wenge 999 – 39 other lacquered colours
Specification	Body/Front – MDF board with PVC foil Integrated handle in the front 1 glass shelf (adjustable)		
Weight	14,0 kg		
Accessories excl.	Feet (2 pieces), aluminium, order no. 48309.1 Space saving siphon, order no. 89424.0		

TECHNICAL DRAWINGS / S 1 : 20



Vanity unit

48302.3

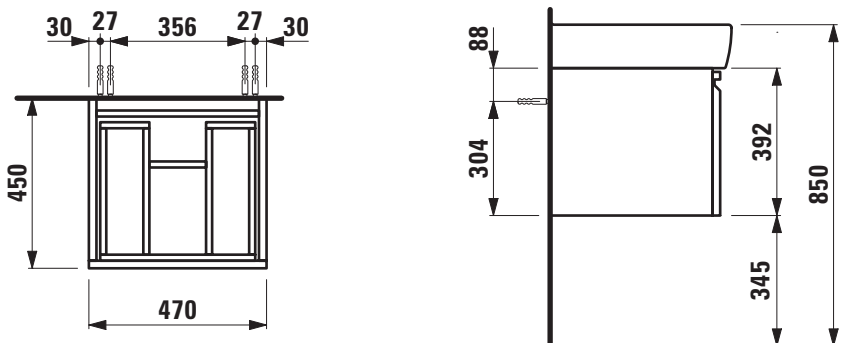
48302.4



TECHNICAL DATA

Order no.	48302.3 – 1 drawer 48302.4 – 1 drawer, 1 interior drawer	Mounting acc. incl.	Installation set for furniture, order no. 49120.6, 49114.0
Dimensions (WxHxD)	470 x 392 x 450 mm	Mounting information	The walls installed on must meet the requirements of the furniture in terms of weight and the supplied fastening elements. If this cannot be guaranteed another method of installation needs to be chosen. For example with feet.
Matching for	Washbasin, order no. 81895.1	Colours	463 – White matt 475 – White glossy 423 – Wenge 999 – 39 other lacquered colours
Specification	Body/Front – MDF board with PVC foil Integrated handle in the front		
Weight	48302.3 / 18,0 kg 48302.4 / 22,0 kg		
Accessories incl.	Drawer organizer, U-shaped, order no. 49611.3 (only 48302.4)		
Accessories excl.	Feet (2 pieces), aluminium, order no. 48310.3 Towel rail, anodized aluminium, order no. 49095.2 Space saving siphon, order no. 89424.0		

TECHNICAL DRAWINGS / S 1 : 20



Vanity unit

48303.3

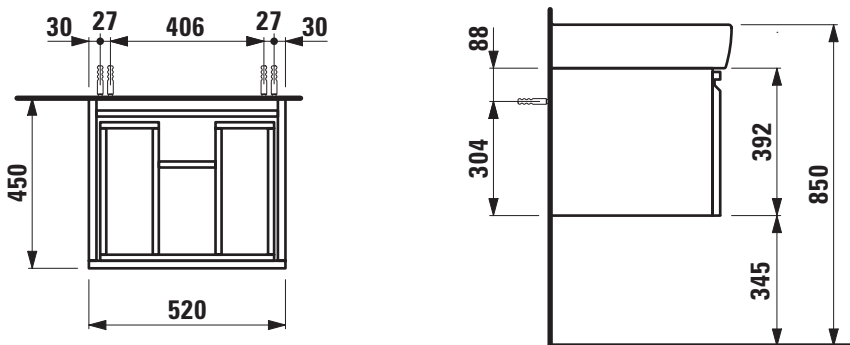
48303.4



TECHNICAL DATA

Order no.	48303.3 – 1 drawer 48303.4 – 1 drawer, 1 interior drawer	Mounting acc. incl.	Installation set for furniture, order no. 49120.6, 49114.0
Dimensions (WxHxD)	520 x 392 x 450 mm	Mounting information	The walls installed on must meet the requirements of the furniture in terms of weight and the supplied fastening elements. If this cannot be guaranteed another method of installation needs to be chosen. For example with feet.
Matching for	Washbasin, order no. 81895.2	Colours	463 – White matt 475 – White glossy 423 – Wenge 999 – 39 other lacquered colours
Specification	Body/Front – MDF board with PVC foil Integrated handle in the front		
Weight	48303.3 / 19,0 kg 48303.4 / 23,5 kg		
Accessories incl.	Drawer organizer, U-shaped, order no. 49611.3 (only 48303.4)		
Accessories excl.	Feet (2 pieces), aluminium, order no. 48310.3 Towel rail, anodized aluminium, order no. 49095.2 Space saving siphon, order no. 89424.0		

TECHNICAL DRAWINGS / S 1 : 20



Vanity unit

48304.1

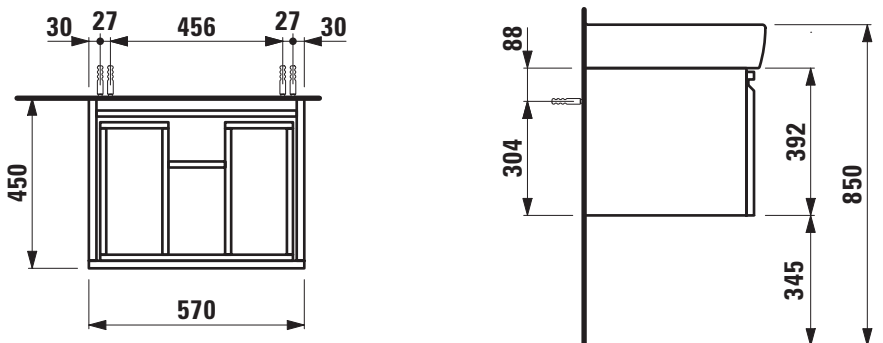
48304.2



TECHNICAL DATA

Order no.	48304.1 – 1 drawer 48304.2 – 1 drawer, 1 interior drawer	Mounting acc. incl.	Installation set for furniture, order no. 49120.6, 49114.0
Dimensions (WxHxD)	570 x 392 x 450 mm	Mounting information	The walls installed on must meet the requirements of the furniture in terms of weight and the supplied fastening elements. If this cannot be guaranteed another method of installation needs to be chosen. For example with feet.
Matching for	Washbasin, order no. 81895.3	Colours	463 – White matt 475 – White glossy 423 – Wenge 999 – 39 other lacquered colours
Specification	Body/Front – MDF board with PVC foil Integrated handle in the front		
Weight	48304.1 / 21,0 kg 48304.2 / 25,0kg		
Accessories incl.	Drawer organizer, U-shaped, order no. 49611.3 (only 48304.2)		
Accessories excl.	Feet (2 pieces), aluminium, order no. 48310.3 Towel rail, anodized aluminium, order no. 49095. Space saving siphon, order no. 89424.02		

TECHNICAL DRAWINGS / S 1 : 20



Vanity unit

48306.1

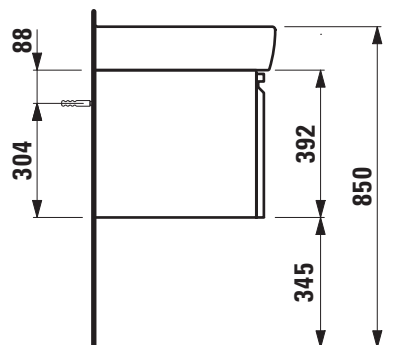
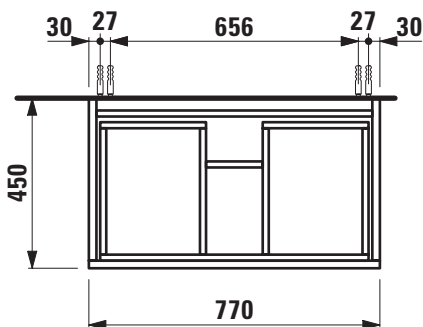
48306.2



TECHNICAL DATA

Order no.	48306.1 – 1 drawer 48306.2 – 1 drawer, 1 interior drawer	Mounting acc. incl.	Installation set for furniture, order no. 49120.6, 49114.0
Dimensions (WxHxD)	770 x 392 x 450 mm	Mounting information	The walls installed on must meet the requirements of the furniture in terms of weight and the supplied fastening elements. If this cannot be guaranteed another method of installation needs to be chosen. For example with feet.
Matching for	Washbasin, order no. 81395.6	Colours	463 – White matt 475 – White glossy 423 – Wenge 999 – 39 other lacquered colours
Specification	Body/Front – MDF board with PVC foil Integrated handle in the front		
Weight	48306.1 / 25,0 kg 48306.2 / 29,0 kg		
Accessories incl.	Drawer organizer, U-shaped, order no. 49611.3 (only 48306.2)		
Accessories excl.	Feet (2 pieces), aluminium, order no. 48310.3 Towel rail, anodized aluminium, order no. 49095.2 Space saving siphon, order no. 89424.0		

TECHNICAL DRAWINGS / S 1 : 20



Vanity unit

48307.1

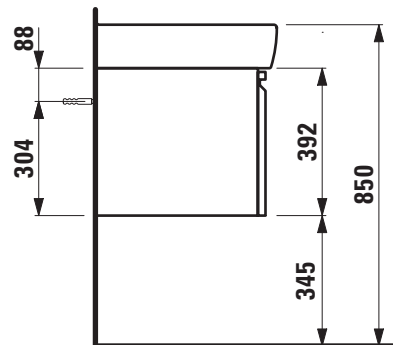
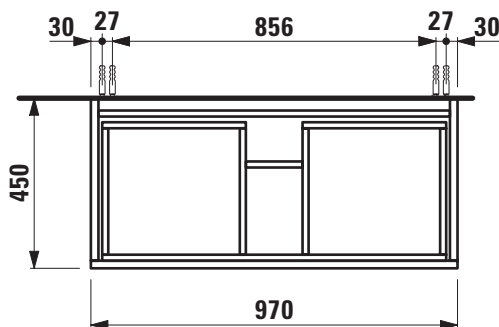
48307.2



TECHNICAL DATA

Order no.	48307.1 – 1 drawer 48307.2 – 1 drawer, 1 interior drawer	Mounting acc. incl.	Installation set for furniture, order no. 49120.6, 49114.0
Dimensions (WxHxD)	970 x 392 x 450 mm	Mounting information	The walls installed on must meet the requirements of the furniture in terms of weight and the supplied fastening elements. If this cannot be guaranteed another method of installation needs to be chosen. For example with feet.
Matching for	Washbasin, order no. 81395.8	Colours	463 – White matt 475 – White glossy 423 – Wenge 999 – 39 other lacquered colours
Specification	Body/Front – MDF board with PVC foil Integrated handle in the front		
Weight	48307.1 / 27,0 kg 48307.2 / 31,0 kg		
Accessories incl.	Drawer organizer, U-shaped, order no. 49611.3 (only 48307.2)		
Accessories excl.	Feet (2 pieces), aluminium, order no. 48310.3 Towel rail, anodized aluminium, order no. 49095.2 Space saving siphon, order no. 89424.0		

TECHNICAL DRAWINGS / S 1 : 20

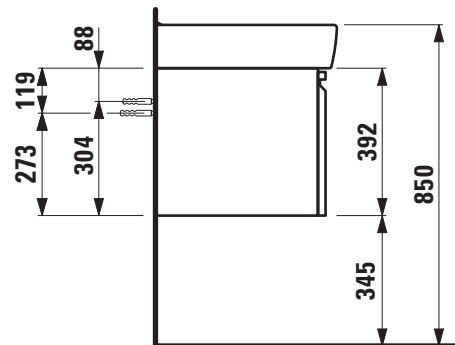
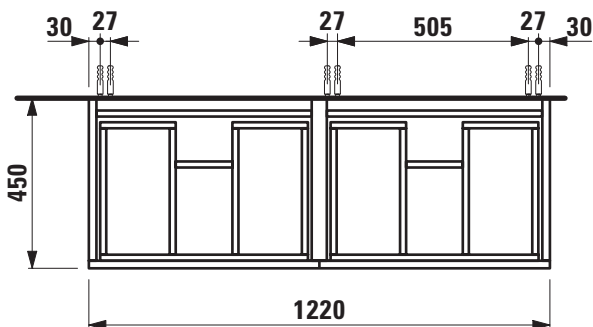




TECHNICAL DATA

Order no.	48308.1 – 2 drawers 48308.2 – 2 drawers, 2 interior drawers	Mounting acc. incl.	Installation set for furniture, order no. 49120.6, 49260.5
Dimensions (WxHxD)	1220 x 392 x 450 mm	Mounting information	The walls installed on must meet the requirements of the furniture in terms of weight and the supplied fastening elements. If this cannot be guaranteed another method of installation needs to be chosen. For example with feet.
Matching for	Double washbasin, order no. 81496.7	Colours	463 – White matt 475 – White glossy 423 – Wenge 999 – 39 other lacquered colours
Specification	Body/Front – MDF board with PVC foil Integrated handle in the front		
Weight	48308.1 / 41,0 kg 48308.2 / 48,5 kg		
Accessories incl.	2 drawer organizers, U-shaped, order no. 49611.3 (only 48308.2)		
Accessories excl.	Feet (2 pieces), aluminium, order no. 48310.3 Towel rail, anodized aluminium, order no. 49095.2 Space saving siphon, order no. 89424.0		

TECHNICAL DRAWINGS / S 1 : 20



LAUFEN PRO / LAUFEN PRO S FURNITURE

Medium Cabinet

48311.1

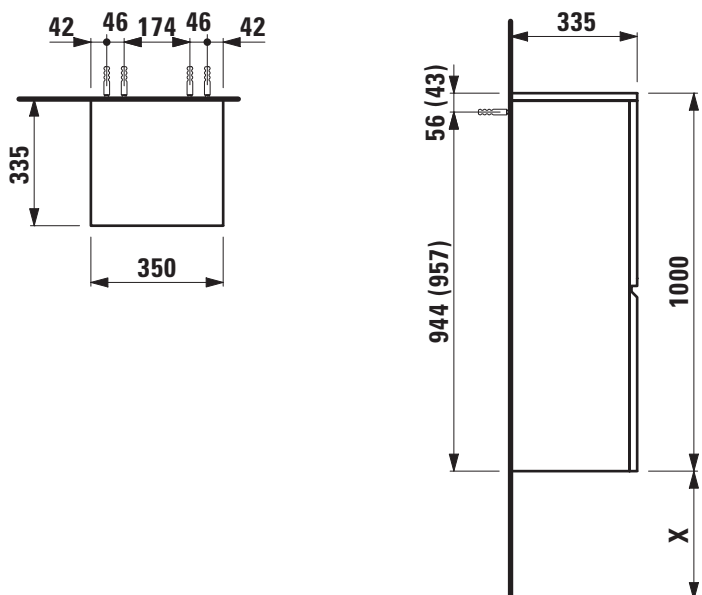
48311.2



TECHNICAL DATA

Order no.	48311.1 / door hinge left 48311.2 / door hinge right	Mounting acc. incl.	Installation set for furniture, order no. 49664.0, 49401.2
Dimensions (WxHxD)	350 x 1000 x 335 mm	Mounting information	The walls installed on must meet the requirements of the furniture in terms of weight and the supplied fastening elements. If this cannot be guaranteed another method of installation needs to be chosen. For example with feet.
Specification	Body/Front – MDF board with PVC foil Integrated handle in the front 1 door 2 glass shelves	Colours	463 – White 475 – White glossy 423 – Wenge 479 – Bright oak (only Laufen Pro S) 480 – Graphite (only Laufen Pro S) 999 – 39 other lacquered colours
Weight	25,0 kg		
Accessories excl.	Feet (2 pieces), aluminium, height X / order no. for combination with vanity units Laufen Pro: 165 mm / 48309.1, 279 mm / 48309.3, 345 mm / 48310.3 Feet (2 pieces), aluminium, height X / order no. for combination with vanity units Laufen Pro S: 215 mm / 48310.4, 244 mm / 48310.0, 417 mm / 48310.1, 440 mm / 48310.2		

TECHNICAL DRAWINGS / S 1 : 20



X = The exact height must be set during installation.

LAUFEN PRO / LAUFEN PRO S FURNITURE

Tall cabinet

48312.1

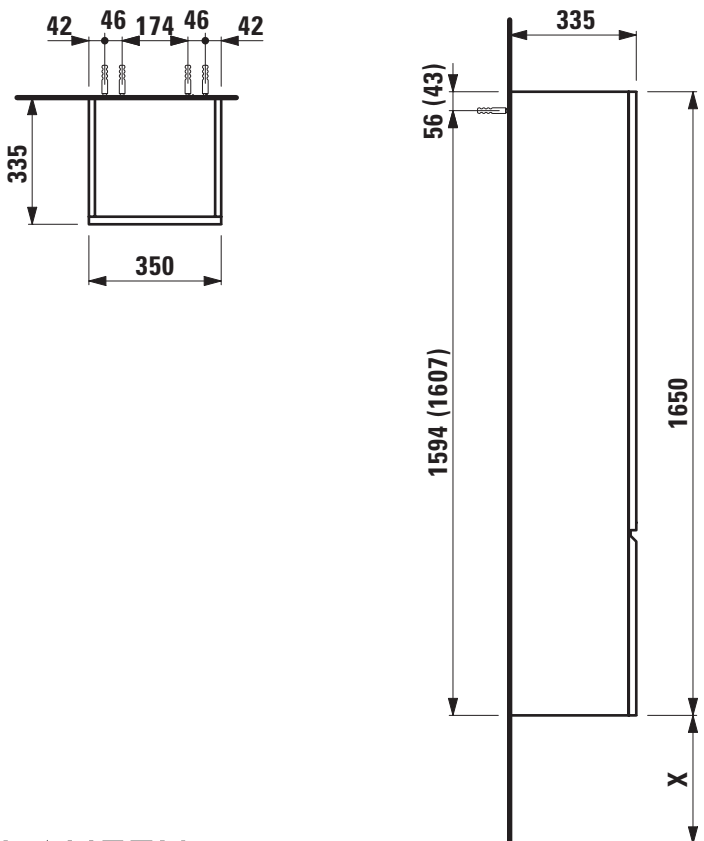
48312.2



TECHNICAL DATA

Order no.	48312.1 / door hinge left 48312.2 / door hinge right	Mounting acc. incl.	Installation set for furniture, order no. 49664.0, 49401.2
Dimensions (WxHxD)	350 x 1650 x 335 mm	Mounting information	The walls installed on must meet the requirements of the furniture in terms of weight and the supplied fastening elements. If this cannot be guaranteed another method of installation needs to be chosen. For example with feet.
Specification	Body/Front – MDF board with PVC foil Integrated handle in the front 1 door, 4 glass shelves	Colours	463 – White 475 – White glossy 423 – Wenge 479 – Bright oak (only Laufen Pro S) 480 – Graphite (only Laufen Pro S) 999 – 39 other lacquered colours
Weight	38,0 kg		
Accessories excl.	Feet (2 pieces), aluminium, height X / order no. for combination with vanity units Laufen Pro: 165 mm / 48309.1, 279 mm / 48309.3, 345 mm / 48310.3 Feet (2 pieces), aluminium, height X / order no. for combination with vanity units Laufen Pro S: 215 mm / 48310.4, 244 mm / 48310.0, 417 mm / 48310.1, 440 mm / 48310.2		

TECHNICAL DRAWINGS / S 1 : 20



X = The exact height must be set during installation.

BASE FURNITURE

BASE FURNITURE FOR INO

Vanity unit

40301.1

40301.2

40301.3

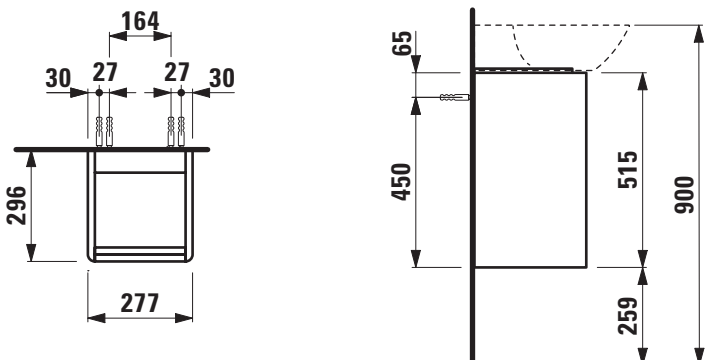
40301.4



TECHNICAL DATA

Order no.	40301.1 / door hinge left, handle anodized aluminium 40301.3 / door hinge left, handle aluminium black 40301.2 / door hinge right, handle anodized aluminium 40301.4 / door hinge right, handle aluminium black	Weight	9,5 kg
Dimensions (WxHxD)	277 x 515 x 296 mm	Accessories excl.	Feet (2 pieces), anodized aluminium, order no. 40299.0 Space saving siphon, order no. 89424.0
Matching for	Small washbasin, order no. 81530.1	Mounting acc. incl.	Installation set for furniture, order no. 49114.0, 49610.3
Specification	Body/Front White matt, Traffic grey: Body MDF with PVC foil (post-forming) Front MDF with PVC foil and ABS edges White glossy: Body MDF with PET foil (post-forming) Front MDF with PET foil and ABS edges Elm light/dark: Body particle board with CPL foil Front melamine coated particle board with ABS edges integrated handle bar on the top 1 door (soft-close mechanism) 1 internal glass shelf	Mounting information	The walls installed on must meet the requirements of the furniture in terms of weight and the supplied fastening elements. If this cannot be guaranteed another method of installation needs to be chosen. For example with feet.
		Colours	260 – White matt 261 – White glossy 262 – Light elm 263 – Dark brown elm 266 – Traffic grey 999 – 39 other lacquered colours on request
		Colours handle	anodized aluminium or aluminium black

TECHNICAL DRAWINGS / S 1 : 20



BASE FURNITURE FOR INO

Vanity unit

40302.1

40302.2

40302.3

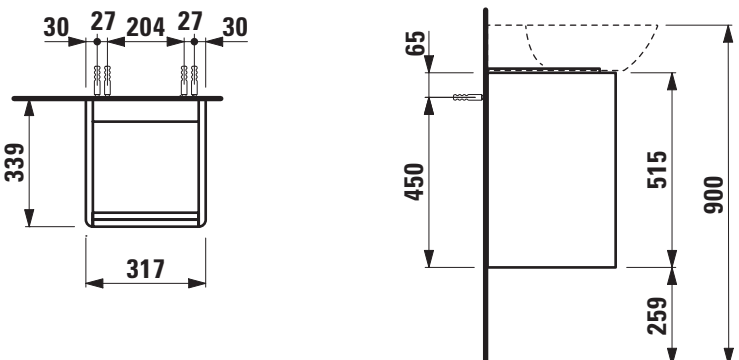
40302.4



TECHNICAL DATA

Order no.	40302.1 / door hinge left, handle anodized aluminium 40302.3 / door hinge left, handle aluminium black 40302.2 / door hinge right, handle anodized aluminium 40302.4 / door hinge right, handle aluminium black	Weight	11,0 kg
Dimensions (WxHxD)	317 x 515 x 339 mm	Accessories excl.	Feet (2 pieces), anodized aluminium, order no. 40299.0 Space saving siphon, order no. 89424.0
Matching for	Washbasin, order no. 81030.2	Mounting acc. incl.	Installation set for furniture, order no. 49114.0, 49610.3
Specification	Body/Front White matt, Traffic grey: Body MDF with PVC foil (post-forming) Front MDF with PVC foil and ABS edges White glossy: Body MDF with PET foil (post-forming) Front MDF with PET foil and ABS edges Elm light/dark: Body particle board with CPL foil Front melamine coated particle board with ABS edges integrated handle bar on the top 1 door (soft-close mechanism) 1 internal glass shelf	Mounting information	The walls installed on must meet the requirements of the furniture in terms of weight and the supplied fastening elements. If this cannot be guaranteed another method of installation needs to be chosen. For example with feet.
		Colours	260 – White matt 261 – White glossy 262 – Light elm 263 – Dark brown elm 266 – Traffic grey 999 – 39 other lacquered colours on request
		Colours handle	anodized aluminium or aluminium black

TECHNICAL DRAWINGS / S 1 : 20

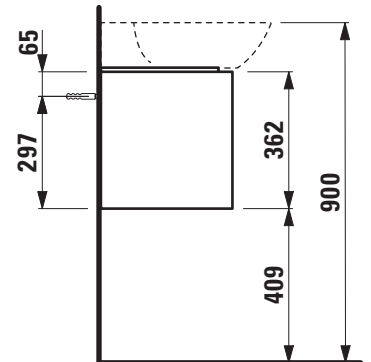
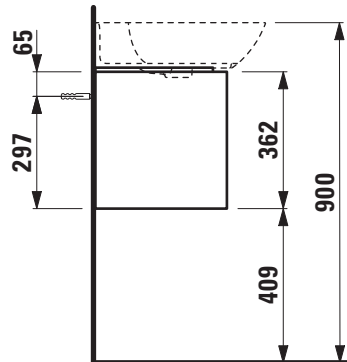
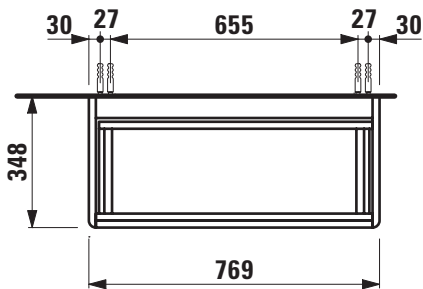




TECHNICAL DATA

Order no.	40300.1 / 1 drawer, handle anodized aluminium 40302.3 / 1 drawer, handle aluminium black	Accessories excl.	Space saving siphon, order no. 89424.0
Dimensions (WxHxD)	769 x 362 x 348 mm	Mounting acc. incl.	Installation set for furniture, order no. 49114.0, 49610.3
Matching for	Washbasin, order no. 81330.1, 81330.2	Mounting information	The walls installed on must meet the requirements of the furniture in terms of weight and the supplied fastening elements. If this cannot be guaranteed another method of installation needs to be chosen.
Specification	Body/Front White matt, Traffic grey: Body MDF with PVC foil (post-forming) Front MDF with PVC foil and ABS edges White glossy: Body MDF with PET foil (post-forming) Front MDF with PET foil and ABS edges Elm light/dark: Body particle board with CPL foil Front melamine coated particle board with ABS edges integrated handle bar on the top 1 full extension drawer (soft-close mechanism)	Colours	260 – White matt 261 – White glossy 262 – Light elm 263 – Dark brown elm 266 – Traffic grey 999 – 39 other lacquered colours on request
Weight	17,0 kg	Colours handle	anodized aluminium or aluminium black

TECHNICAL DRAWINGS / S 1 : 20



BASE FURNITURE FOR INO

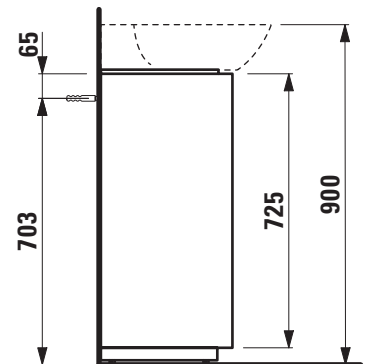
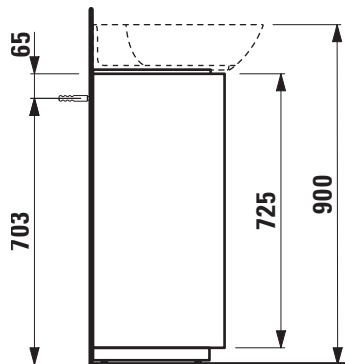
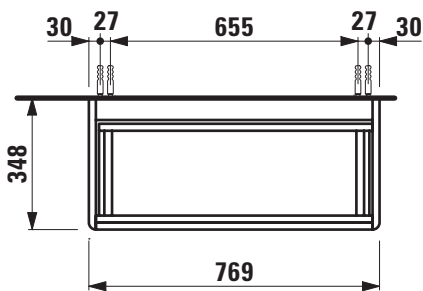
Vanity unit floorstanding 40300.2 40300.4



TECHNICAL DATA

Order no.	40300.2 / 2 drawers, handle anodized aluminium 40302.4 / 2 drawers, handle aluminium black	Accessories excl.	Space saving siphon, order no. 89424.0
Dimensions (WxHxD)	799 x 768 x 348 mm	Mounting acc. incl.	Installation set for furniture, order no. 49114.0, 49301.5
Matching for	Washbasin, order no. 81330.1, 81330.2	Mounting information	The walls installed on must meet the requirements of the furniture in terms of weight and the supplied fastening elements. If this cannot be guaranteed another method of installation needs to be chosen.
Specification	Body/Front White matt, Traffic grey: Body MDF with PVC foil (post-forming) Front MDF with PVC foil and ABS edges White glossy: Body MDF with PET foil (post-forming) Front MDF with PET foil and ABS edges Elm light/dark: Body particle board with CPL foil Front melamine coated particle board with ABS edges integrated handle bar on the top of the drawers 2 full extension drawers (soft-close mechanism)	Colours	260 – White matt 261 – White glossy 262 – Light elm 263 – Dark brown elm 266 – Traffic grey 999 – 39 other lacquered colours on request
Weight	36,0 kg	Colours handle	anodized aluminium or aluminium black

TECHNICAL DRAWINGS / S 1 : 20



BASE FOR INO FURNITURE

Tall cabinet

40303.1

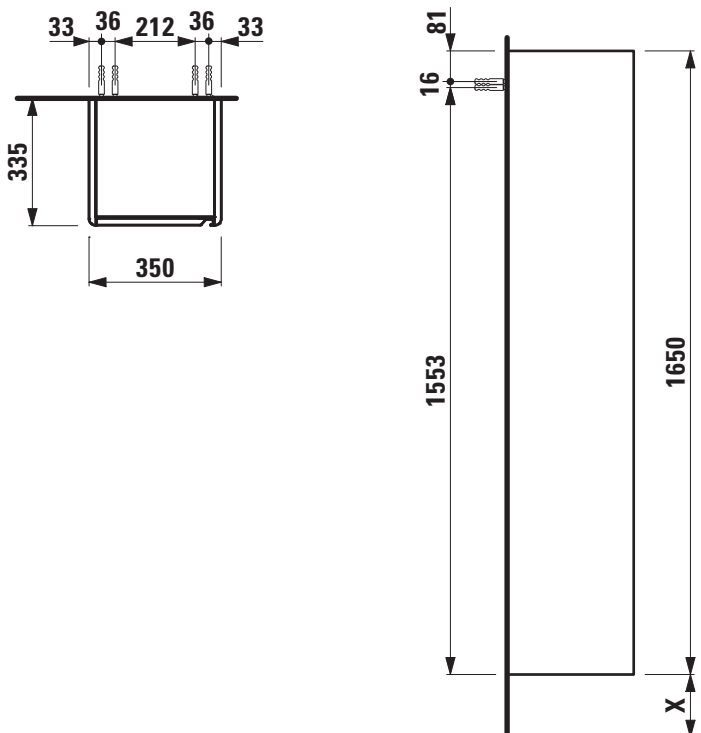
40303.3



TECHNICAL DATA

Order no.	40303.1 / door hinge left, handle anodized aluminium 40303.3 / door hinge left, handle aluminium black	Weight	34,0 kg
Dimensions (WxHxD)	350 x 1650 x 335 mm	Accessories excl.	Laundry basket, order no. 49302.0 Feet (2 pieces), aluminium, height X / order no. for combination with vanity units Base for Ino: 264 mm / 40299.0
Specification	White matt, Traffic grey: Body MDF with PVC foil (post-forming) Front MDF with PVC foil and ABS edges White glossy: Body MDF with PET foil (post-forming) Front MDF with PET foil and ABS edges Elm light/dark: Body particle board with CPL foil Front melamine coated particle board with ABS edges with handle bar 1 door (soft-close mechanism) 1 fixed shelf, 4 glass shelves (adjustable)	Mounting acc. incl.	Installation set for furniture, order no. 49302.1
		Mounting information	The walls installed on must meet the requirements of the furniture in terms of weight and the supplied fastening elements. If this cannot be guaranteed another method of installation needs to be chosen. For example with feet.
		Colours	260 – White matt 261 – White glossy 262 – Light elm 263 – Dark brown elm 266 – Traffic grey 999 – 39 other lacquered colours on request
		Colours handle	anodized aluminium or aluminium black

TECHNICAL DRAWINGS / S 1 : 20



X = The exact height must be set during installation.

BASE FOR INO FURNITURE

Tall cabinet

40303.2

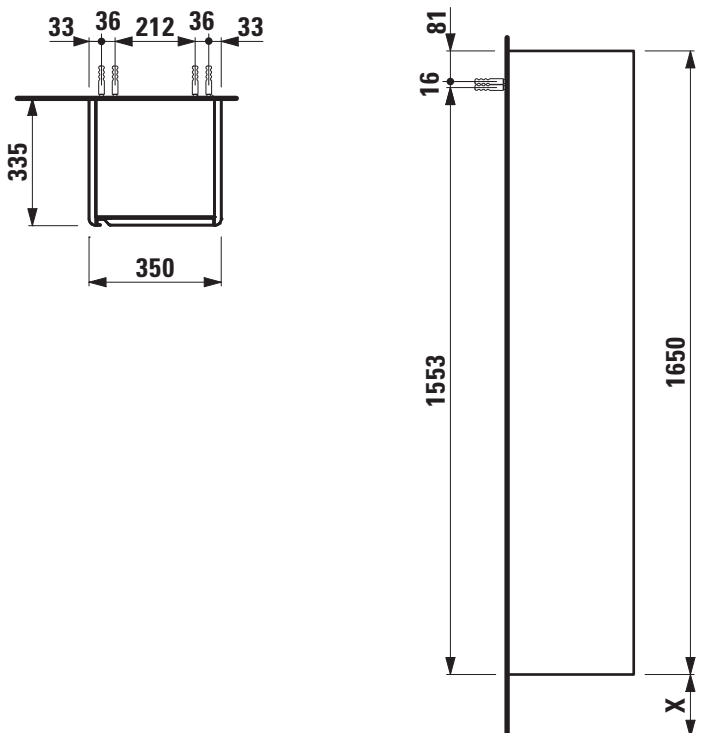
40303.4



TECHNICAL DATA

Order no.	40303.2 / door hinge right, handle anodized aluminium 40303.4 / door hinge right, handle aluminium black	Weight	34,0 kg
Dimensions (WxHxD)	350 x 1650 x 335 mm	Accessories excl	Laundry basket, order no. 49302.0 Feet (2 pieces), aluminium, height X / order no. for combination with vanity units Base for Ino: 264 mm / 40299.0
Specification	White matt, Traffic grey: Body MDF with PVC foil (post-forming) Front MDF with PVC foil and ABS edges White glossy: Body MDF with PET foil (post-forming) Front MDF with PET foil and ABS edges Elm light/dark: Body particle board with CPL foil Front melamine coated particle board with ABS edges with handle bar 1 door (soft-close mechanism) 1 fixed shelf, 4 glass shelves (adjustable)	Mounting acc. incl.	Installation set for furniture, order no. 49302.1
		Mounting information	The walls installed on must meet the requirements of the furniture in terms of weight and the supplied fastening elements. If this cannot be guaranteed another method of installation needs to be chosen. For example with feet.
		Colours	260 – White matt 261 – White glossy 262 – Light elm 263 – Dark brown elm 266 – Traffic grey 999 – 39 other lacquered colours on request
		Colours handle	anodized aluminium or aluminium black

TECHNICAL DRAWINGS / S 1 : 20



X = The exact height must be set during installation.

BASE FURNITURE FOR LAUFEN PRO S

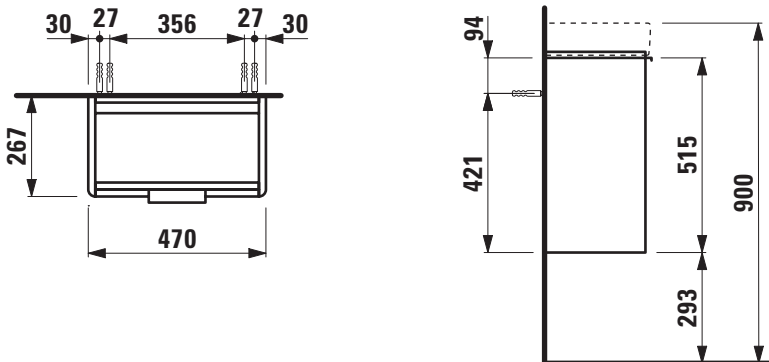
Vanity unit 40210.1



TECHNICAL DATA

Order no.	40210.1 / door hinge left	Accessories excl.	Feet (2 pieces), anodized aluminium, order no. 40299.2
Dimensions (WxHxD)	470 x 515 x 267 mm		Space saving siphon, order no. 89424.0
Matching for	Washbasin, order no. 81595.5	Mounting acc. incl.	Installation set for furniture, order no. 49114.0, 49301.5
Specification	<p>Body/Front</p> <p>White matt, Oyster white, Traffic grey:</p> <p>Body MDF with PVC foil (post-forming)</p> <p>Front MDF with PVC foil and ABS edges</p> <p>White glossy: Body MDF with PET foil (post-forming)</p> <p>Front MDF with PET foil and ABS edges</p> <p>Elm light/dark: Body particle board with CPL foil</p> <p>Front melamine coated particle board with ABS edges</p> <p>anodized aluminium handle bar on the top</p> <p>1 door (soft-close mechanism)</p> <p>1 internal glass shelf</p>	Mounting information	The walls installed on must meet the requirements of the furniture in terms of weight and the supplied fastening elements. If this cannot be guaranteed another method of installation needs to be chosen. For example with feet.
Weight	11,0 kg	Colours	<p>260 – White matt</p> <p>261 – White glossy</p> <p>262 – Light elm</p> <p>263 – Dark brown elm</p> <p>M01 – Oyster white</p> <p>M36 – Traffic grey</p> <p>999 – 39 other lacquered colours on request</p>

TECHNICAL DRAWINGS / S 1 : 20



BASE FURNITURE FOR LAUFEN PRO S

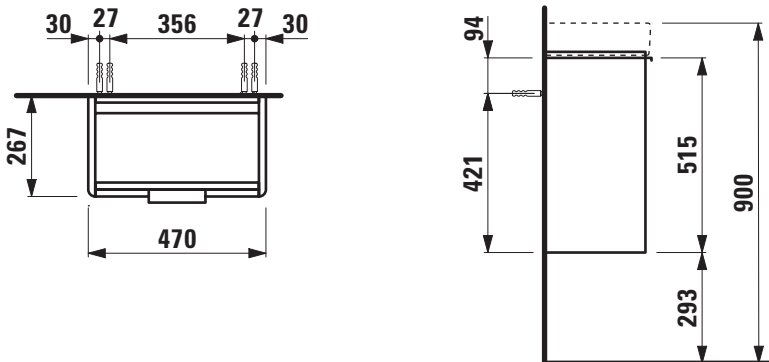
Vanity unit 40210.2



TECHNICAL DATA

Order no.	40210.2 / door hinge right	Accessories excl.	Feet (2 pieces), anodized aluminium, order no. 40299.2
Dimensions (WxHxD)	470 x 515 x 267 mm		Space saving siphon, order no. 89424.0
Matching for	Washbasin, order no. 81595.4	Mounting acc. incl.	Installation set for furniture, order no. 49114.0, 49301.5
Specification	<p>Body/Front</p> <p>White matt, Oyster white, Traffic grey:</p> <p>Body MDF with PVC foil (post-forming)</p> <p>Front MDF with PVC foil and ABS edges</p> <p>White glossy: Body MDF with PET foil (post-forming)</p> <p>Front MDF with PET foil and ABS edges</p> <p>Elm light/dark: Body particle board with CPL foil</p> <p>Front melamine coated particle board with ABS edges</p> <p>anodized aluminium handle bar on the top</p> <p>1 door (soft-close mechanism)</p> <p>1 internal glass shelf</p>	Mounting information	The walls installed on must meet the requirements of the furniture in terms of weight and the supplied fastening elements. If this cannot be guaranteed another method of installation needs to be chosen. For example with feet.
Weight	11,0 kg	Colours	260 – White matt 261 – White glossy 262 – Light elm 263 – Dark brown elm M01 – Oyster white M36 – Traffic grey 999 – 39 other lacquered colours on request

TECHNICAL DRAWINGS / S 1 : 20



BASE FURNITURE FOR LAUFEN PRO S

Vanity unit

40211.1

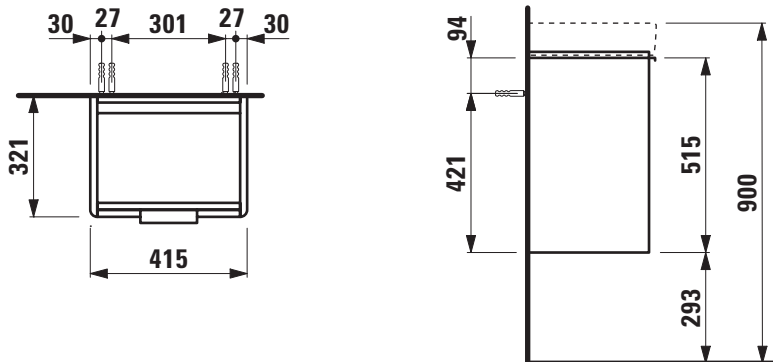
40211.2



TECHNICAL DATA

Order no.	40211.1 / door hinge left 40211.2 / door hinge right	Weight	11,5 kg
Dimensions (WxHxD)	415 x 515 x 321 mm	Accessories excl.	Feet (2 pieces), anodized aluminium, order no. 40299.2 Towel rail, anodized aluminium, order no. 49095.0 Space saving siphon, order no. 89424.0
Matching for	Washbasin, order no. 81596.1	Mounting acc. incl.	Installation set for furniture, order no. 49114.0, 49301.5
Specification	Body/Front White matt, Oyster white, Traffic grey: Body MDF with PVC foil (post-forming) Front MDF with PVC foil and ABS edges White glossy: Body MDF with PET foil (post-forming) Front MDF with PET foil and ABS edges Elm light/dark: Body particle board with CPL foil Front melamine coated particle board with ABS edges anodized aluminium handle bar on the top 1 door (soft-close mechanism) 1 internal glass shelf	Mounting information	The walls installed on must meet the requirements of the furniture in terms of weight and the supplied fastening elements. If this cannot be guaranteed another method of installation needs to be chosen. For example with feet.
		Colours	260 – White matt 261 – White glossy 262 – Light elm 263 – Dark brown elm M01 – Oyster white M36 – Traffic grey 999 – 39 other lacquered colours on request

TECHNICAL DRAWINGS / S 1 : 20



BASE FURNITURE FOR LAUFEN PRO S

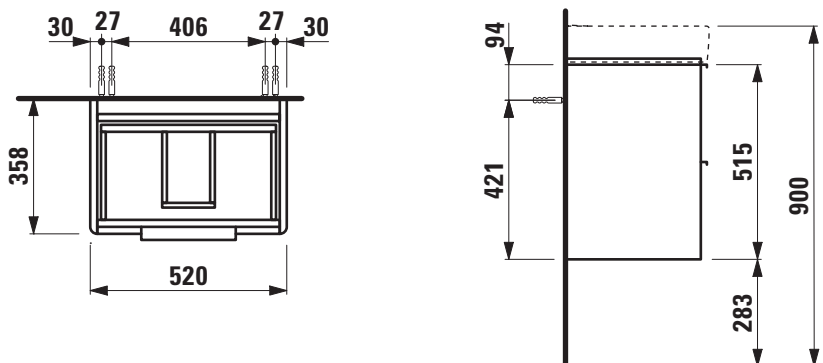
Vanity unit 40215.2



TECHNICAL DATA

Order no.	40215.2 / 2 drawers	Accessories excl.	Feet (2 pieces), anodized aluminium, order no. 40299.1
Dimensions (WxHxD)	520 x 515 x 358 mm		Towel rail, anodized aluminium, order no. 49095.1
Matching for	Washbasin, order no. 81895.8		Space saving siphon, order no. 89424.0
Specification	Body/Front White matt, Oyster white, Traffic grey: Body MDF with PVC foil (post-forming) Front MDF with PVC foil and ABS edges White glossy: Body MDF with PET foil (post-forming) Front MDF with PET foil and ABS edges Elm light/dark: Body particle board with CPL foil Front melamine coated particle board with ABS edges anodized aluminium handle bars on the top of the drawers 2 full extension drawers (soft-close mechanism)	Mounting acc. incl.	Installation set for furniture, order no. 49114.0, 49301.5
		Mounting information	The walls installed on must meet the requirements of the furniture in terms of weight and the supplied fastening elements. If this cannot be guaranteed another method of installation needs to be chosen. For example with feet.
		Colours	260 – White matt 261 – White glossy 262 – Light elm 263 – Dark brown elm M01 – Oyster white M36 – Traffic grey 999 – 39 other lacquered colours on request
Weight	19,0 kg		

TECHNICAL DRAWINGS / S 1 : 20



BASE FURNITURE FOR LAUFEN PRO S

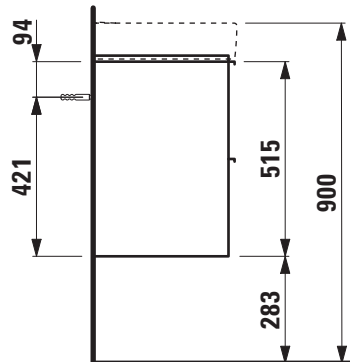
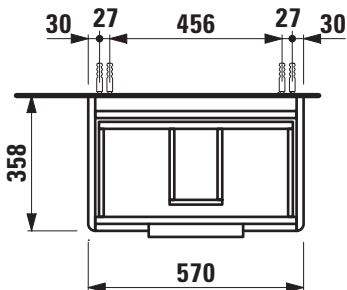
Vanity unit 40221.2



TECHNICAL DATA

Order no.	40221.2 / 2 drawers	Accessories excl.	Feet (2 pieces), anodized aluminium, order no. 40299.1
Dimensions (WxHxD)	570 x 515 x 358 mm		Towel rail, anodized aluminium, order no. 49095.1
Matching for	Washbasin, order no. 81895.9		Space saving siphon, order no. 89424.0
Specification	Body/Front White matt, Oyster white, Traffic grey: Body MDF with PVC foil (post-forming) Front MDF with PVC foil and ABS edges White glossy: Body MDF with PET foil (post-forming) Front MDF with PET foil and ABS edges Elm light/dark: Body particle board with CPL foil Front melamine coated particle board with ABS edges anodized aluminium handle bars on the top of the drawers 2 full extension drawers (soft-close mechanism)	Mounting acc. incl.	Installation set for furniture, order no. 49114.0, 49301.5
		Mounting information	The walls installed on must meet the requirements of the furniture in terms of weight and the supplied fastening elements. If this cannot be guaranteed another method of installation needs to be chosen. For example with feet.
		Colours	260 – White matt 261 – White glossy 262 – Light elm 263 – Dark brown elm M01 – Oyster white M36 – Traffic grey 999 – 39 other lacquered colours on request
Weight	19,5 kg		

TECHNICAL DRAWINGS / S 1 : 20



BASE FURNITURE FOR LAUFEN PRO S

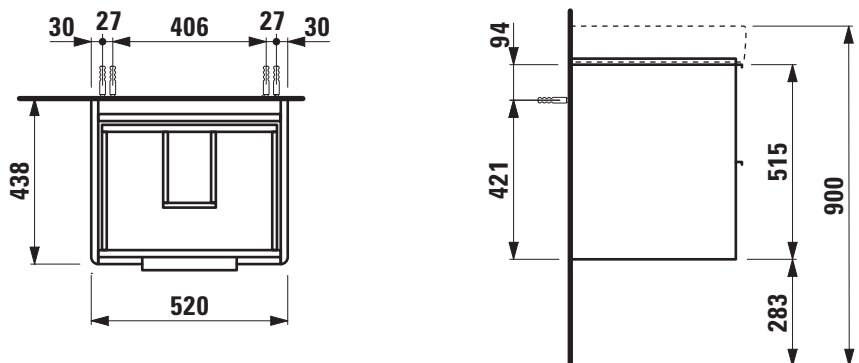
Vanity unit 40217.2



TECHNICAL DATA

Order no.	40217.2 / 2 drawers	Accessories incl.	Drawer organizer, U-shaped, order no. 49611.3
Dimensions (WxHxD)	520 x 515 x 438 mm	Accessories excl.	Feet (2 pieces), anodized aluminium, order no. 40299.1
Matching for	Washbasin, order no. 81096.2		Towel rail, anodized aluminium, order no. 49095.1
Specification	Body/Front White matt, Oyster white, Traffic grey: Body MDF with PVC foil (post-forming) Front MDF with PVC foil and ABS edges White glossy: Body MDF with PET foil (post-forming) Front MDF with PET foil and ABS edges Elm light/dark: Body particle board with CPL foil Front melamine coated particle board with ABS edges anodized aluminium handle bars on the top of the drawers 2 full extension drawers (soft-close mechanism)	Mounting acc. incl.	Space saving siphon, order no. 89424.0 Installation set for furniture, order no. 49114.0, 49301.5
Weight	21,5 kg	Mounting information	The walls installed on must meet the requirements of the furniture in terms of weight and the supplied fastening elements. If this cannot be guaranteed another method of installation needs to be chosen. For example with feet.
		Colours	260 – White matt 261 – White glossy 262 – Light elm 263 – Dark brown elm M01 – Oyster white M36 – Traffic grey 999 – 39 other lacquered colours on request

TECHNICAL DRAWINGS / S 1 : 20



BASE FURNITURE FOR LAUFEN PRO S

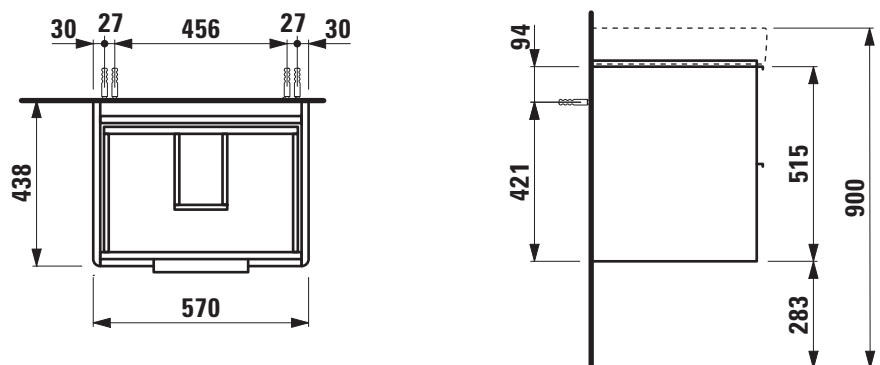
Vanity unit 40223.2



TECHNICAL DATA

Order no.	40223.2 / 2 drawers	Accessories incl.	Drawer organizer, U-shaped, order no. 49611.3
Dimensions (WxHxD)	570 x 515 x 438 mm	Accessories excl.	Feet (2 pieces), anodized aluminium, order no. 40299.1
Matching for	Washbasin, order no. 81096.3		Towel rail, anodized aluminium, order no. 49095.1
Specification	Body/Front White matt, Oyster white, Traffic grey: Body MDF with PVC foil (post-forming) Front MDF with PVC foil and ABS edges White glossy: Body MDF with PET foil (post-forming) Front MDF with PET foil and ABS edges Elm light/dark: Body particle board with CPL foil Front melamine coated particle board with ABS edges anodized aluminium handle bars on the top of the drawers 2 full extension drawers (soft-close mechanism)	Mounting acc. incl.	Space saving siphon, order no. 89424.0 Installation set for furniture, order no. 49114.0, 49301.5
Weight	25,2 kg	Mounting information	The walls installed on must meet the requirements of the furniture in terms of weight and the supplied fastening elements. If this cannot be guaranteed another method of installation needs to be chosen. For example with feet.
		Colours	260 – White matt 261 – White glossy 262 – Light elm 263 – Dark brown elm M01 – Oyster white M36 – Traffic grey 999 – 39 other lacquered colours on request

TECHNICAL DRAWINGS / S 1 : 20



BASE FURNITURE FOR LAUFEN PRO S

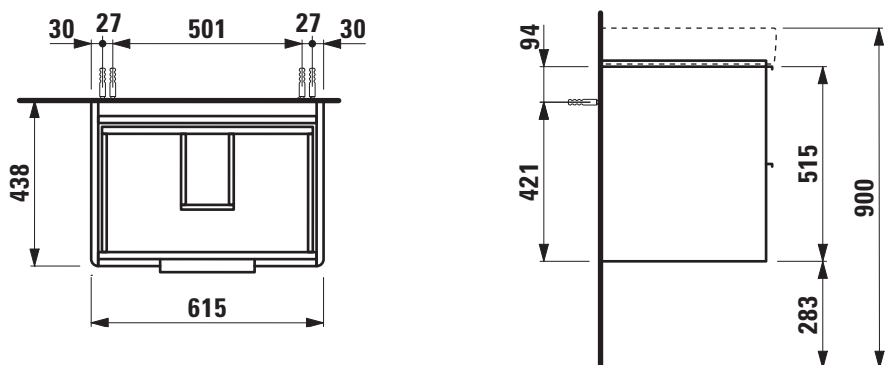
Vanity unit 40229.2



TECHNICAL DATA

Order no.	40229.2 / 2 drawers	Accessories incl.	Drawer organizer, U-shaped, order no. 49611.3
Dimensions (WxHxD)	615 x 515 x 438 mm	Accessories excl.	Feet (2 pieces), anodized aluminium, order no. 40299.1
Matching for	Washbasin, order no. 81096.4		Towel rail, anodized aluminium, order no. 49095.1
Specification	Body/Front White matt, Oyster white, Traffic grey: Body MDF with PVC foil (post-forming) Front MDF with PVC foil and ABS edges White glossy: Body MDF with PET foil (post-forming) Front MDF with PET foil and ABS edges Elm light/dark: Body particle board with CPL foil Front melamine coated particle board with ABS edges anodized aluminium handle bars on the top of the drawers 2 full extension drawers (soft-close mechanism)	Mounting acc. incl.	Space saving siphon, order no. 89424.0 Installation set for furniture, order no. 49114.0, 49301.5
Weight	24,0 kg	Mounting information	The walls installed on must meet the requirements of the furniture in terms of weight and the supplied fastening elements. If this cannot be guaranteed another method of installation needs to be chosen. For example with feet.
		Colours	260 – White matt 261 – White glossy 262 – Light elm 263 – Dark brown elm M01 – Oyster white M36 – Traffic grey 999 – 39 other lacquered colours on request

TECHNICAL DRAWINGS / S 1 : 20



BASE FURNITURE FOR LAUFEN PRO S

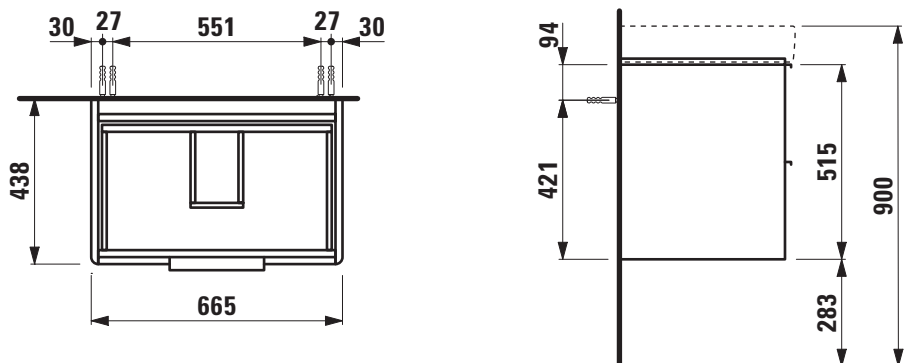
Vanity unit 40233.2



TECHNICAL DATA

Order no.	40233.2 / 2 drawers	Accessories incl.	Drawer organizer, U-shaped, order no. 49611.3
Dimensions (WxHxD)	665 x 515 x 438 mm	Accessories excl.	Feet (2 pieces), anodized aluminium, order no. 40299.1
Matching for	Washbasin, order no. 81096.7		Towel rail, anodized aluminium, order no. 49095.1
Specification	Body/Front White matt, Oyster white, Traffic grey: Body MDF with PVC foil (post-forming) Front MDF with PVC foil and ABS edges White glossy: Body MDF with PET foil (post-forming) Front MDF with PET foil and ABS edges Elm light/dark: Body particle board with CPL foil Front melamine coated particle board with ABS edges anodized aluminium handle bars on the top of the drawers 2 full extension drawers (soft-close mechanism)	Mounting acc. incl.	Space saving siphon, order no. 89424.0 Installation set for furniture, order no. 49114.0, 49301.5
Weight	25,2 kg	Mounting information	The walls installed on must meet the requirements of the furniture in terms of weight and the supplied fastening elements. If this cannot be guaranteed another method of installation needs to be chosen. For example with feet.
		Colours	260 – White matt 261 – White glossy 262 – Light elm 263 – Dark brown elm M01 – Oyster white M36 – Traffic grey 999 – 39 other lacquered colours on request

TECHNICAL DRAWINGS / S 1 : 20



BASE FURNITURE FOR LAUFEN PRO S

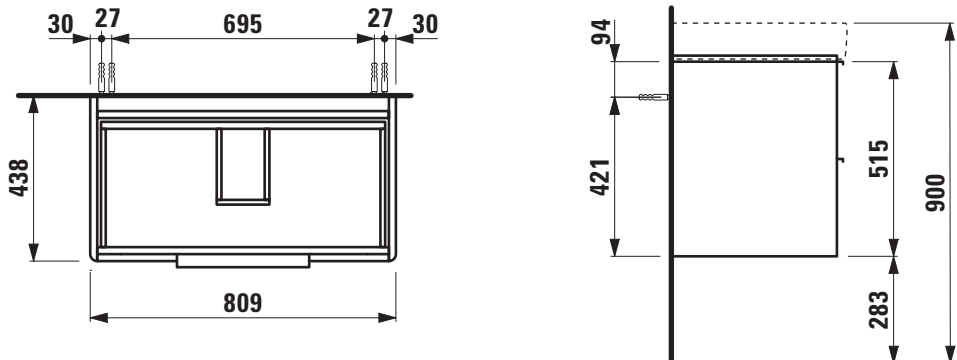
Vanity unit 40239.2



TECHNICAL DATA

Order no.	40239.2 / 2 drawers	Accessories incl.	Drawer organizer, U-shaped, order no. 49611.3
Dimensions (WxHxD)	809 x 515 x 438 mm	Accessories excl.	Feet (2 pieces), anodized aluminium, order no. 40299.1
Matching for	Washbasin, order no. 81396.5		Towel rail, anodized aluminium, order no. 49095.1
Specification	Body/Front White matt, Oyster white, Traffic grey: Body MDF with PVC foil (post-forming) Front MDF with PVC foil and ABS edges White glossy: Body MDF with PET foil (post-forming) Front MDF with PET foil and ABS edges Elm light/dark: Body particle board with CPL foil Front melamine coated particle board with ABS edges anodized aluminium handle bars on the top of the drawers 2 full extension drawers (soft-close mechanism)	Mounting acc. incl.	Installation set for furniture, order no. 49114.0, 49301.5
		Mounting information	The walls installed on must meet the requirements of the furniture in terms of weight and the supplied fastening elements. If this cannot be guaranteed another method of installation needs to be chosen. For example with feet.
		Colours	260 – White matt 261 – White glossy 262 – Light elm 263 – Dark brown elm M01 – Oyster white M36 – Traffic grey 999 – 39 other lacquered colours on request
Weight	29,7 kg		

TECHNICAL DRAWINGS / S 1 : 20



BASE FURNITURE FOR LAUFEN PRO S

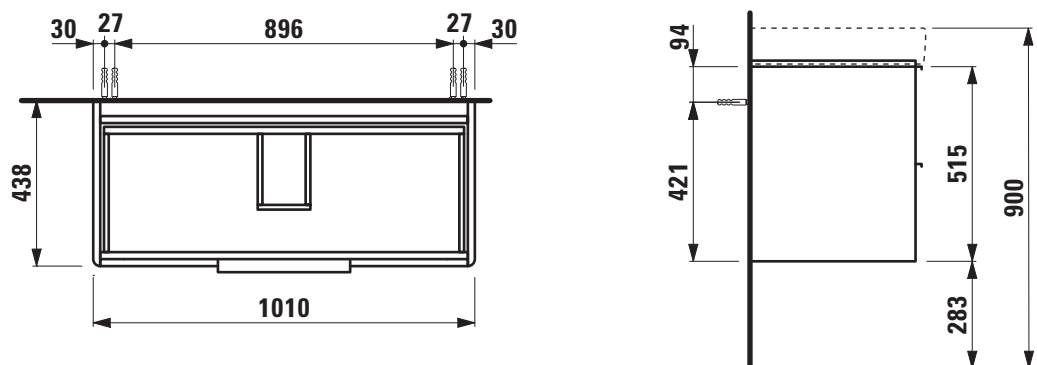
Vanity unit 40245.2



TECHNICAL DATA

Order no.	40245.2 / 2 drawers	Accessories incl.	Drawer organizer, U-shaped, order no. 49611.3
Dimensions (WxHxD)	1010 x 515 x 438 mm	Accessories excl.	Feet (2 pieces), anodized aluminium, order no. 40299.1
Matching for	Washbasin, order no. 81396.6		Towel rail, anodized aluminium, order no. 49095.1
Specification	Body/Front White matt, Oyster white, Traffic grey: Body MDF with PVC foil (post-forming) Front MDF with PVC foil and ABS edges White glossy: Body MDF with PET foil (post-forming) Front MDF with PET foil and ABS edges Elm light/dark: Body particle board with CPL foil Front melamine coated particle board with ABS edges anodized aluminium handle bars on the top of the drawers 2 full extension drawers (soft-close mechanism)		Space saving siphon, order no. 89424.0
		Mounting acc. incl.	Installation set for furniture, order no. 49114.0, 49301.5
		Mounting information	The walls installed on must meet the requirements of the furniture in terms of weight and the supplied fastening elements. If this cannot be guaranteed another method of installation needs to be chosen. For example with feet.
		Colours	260 – White matt 261 – White glossy 262 – Light elm 263 – Dark brown elm M01 – Oyster white M36 – Traffic grey 999 – 39 other lacquered colours on request
Weight	34,5 kg		

TECHNICAL DRAWINGS / S 1 : 20



BASE FURNITURE FOR LAUFEN PRO S

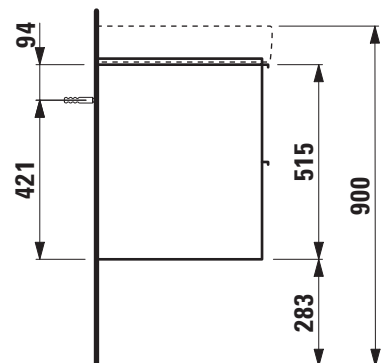
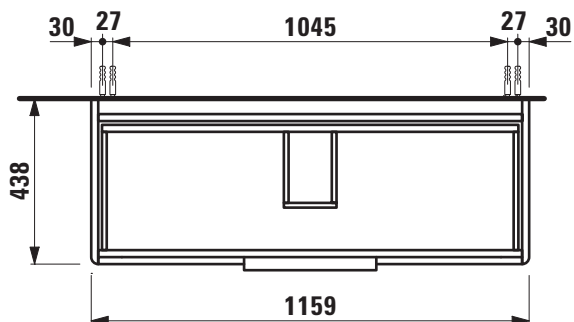
Vanity unit 40249.2



TECHNICAL DATA

Order no.	40249.2 / 2 drawers	Accessories incl.	Drawer organizer, U-shaped, order no. 49611.3
Dimensions (WxHxD)	1159 x 515 x 438 mm	Accessories excl.	Feet (2 pieces), anodized aluminium, order no. 40299.1
Matching for	Double washbasin, order no. 81496.5		Towel rail, anodized aluminium, order no. 49095.1
Specification	Body/Front White matt, Oyster white, Traffic grey: Body MDF with PVC foil (post-forming) Front MDF with PVC foil and ABS edges White glossy: Body MDF with PET foil (post-forming) Front MDF with PET foil and ABS edges Elm light/dark: Body particle board with CPL foil Front melamine coated particle board with ABS edges anodized aluminium handle bars on the top of the drawers 2 full extension drawers (soft-close mechanism)	Mounting acc. incl.	Installation set for furniture, order no. 49114.0, 49301.5
		Mounting information	The walls installed on must meet the requirements of the furniture in terms of weight and the supplied fastening elements. If this cannot be guaranteed another method of installation needs to be chosen. For example with feet.
Weight	38,5 kg	Colours	260 – White matt 261 – White glossy 262 – Light elm 263 – Dark brown elm M01 – Oyster white M36 – Traffic grey 999 – 39 other lacquered colours on request

TECHNICAL DRAWINGS / S 1 : 20



BASE FURNITURE FOR LAUFEN PRO S

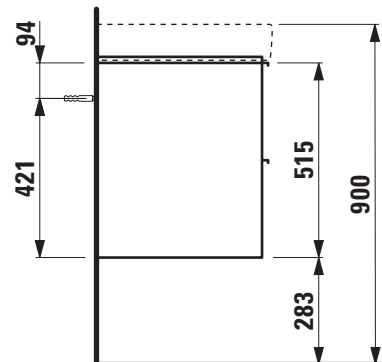
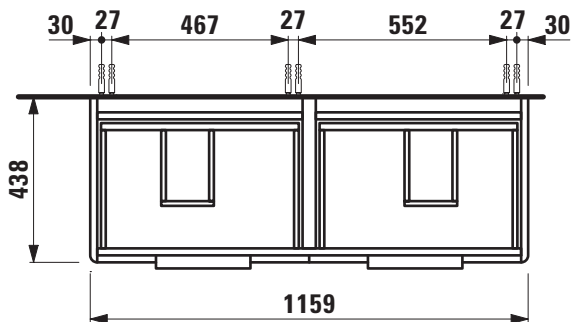
Vanity unit 40249.4



TECHNICAL DATA

Order no.	40249.4 / 4 drawers	Accessories incl.	2 drawer organizers, U-shaped, order no. 49611.3
Dimensions (WxHxD)	1159 x 515 x 438 mm	Accessories excl.	Feet (2 pieces), anodized aluminium, order no. 40299.1
Matching for	Double washbasin, order no. 81496.6		Towel rail, anodized aluminium, order no. 49095.1
Specification	Body/Front White matt, Oyster white, Traffic grey: Body MDF with PVC foil (post-forming) Front MDF with PVC foil and ABS edges White glossy: Body MDF with PET foil (post-forming) Front MDF with PET foil and ABS edges Elm light/dark: Body particle board with CPL foil Front melamine coated particle board with ABS edges anodized aluminium handle bars on the top of the drawers 4 full extension drawers (soft-close mechanism)	Mounting acc. incl.	Installation set for furniture, order no. 49260.5, 49301.5
Weight	45,0 kg	Mounting information	The walls installed on must meet the requirements of the furniture in terms of weight and the supplied fastening elements. If this cannot be guaranteed another method of installation needs to be chosen. For example with feet.
		Colours	260 – White matt 261 – White glossy 262 – Light elm 263 – Dark brown elm M01 – Oyster white M36 – Traffic grey 999 – 39 other lacquered colours on request

TECHNICAL DRAWINGS / S 1 : 20



BASE FURNITURE FOR LAUFEN PRO S

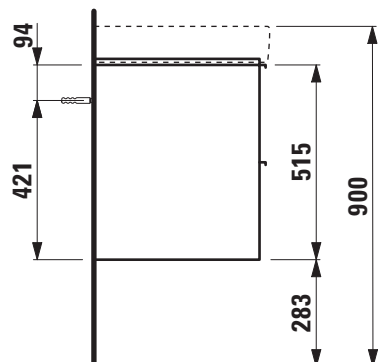
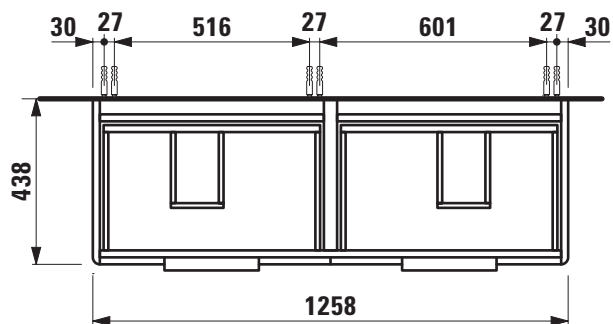
Vanity unit 40251.4



TECHNICAL DATA

Order no.	40251.4 / 4 drawers	Accessories incl.	2 drawer organizers, U-shaped, order no. 49611.3
Dimensions (WxHxD)	1258 x 515 x 438 mm	Accessories excl.	Feet (2 pieces), anodized aluminium, order no. 40299.1
Matching for	Double washbasin, order no. 81496.8		Towel rail, anodized aluminium, order no. 49095.1
Specification	Body/Front White matt, Oyster white, Traffic grey: Body MDF with PVC foil (post-forming) Front MDF with PVC foil and ABS edges White glossy: Body MDF with PET foil (post-forming) Front MDF with PET foil and ABS edges Elm light/dark: Body particle board with CPL foil Front melamine coated particle board with ABS edges anodized aluminium handle bars on the top of the drawers 4 full extension drawers (soft-close mechanism)	Mounting acc. incl.	Installation set for furniture, order no. 49260.5, 49301.5
Weight	46,8 kg	Mounting information	The walls installed on must meet the requirements of the furniture in terms of weight and the supplied fastening elements. If this cannot be guaranteed another method of installation needs to be chosen. For example with feet.
		Colours	260 – White matt 261 – White glossy 262 – Light elm 263 – Dark brown elm M01 – Oyster white M36 – Traffic grey 999 – 39 other lacquered colours on request

TECHNICAL DRAWINGS / S 1 : 20

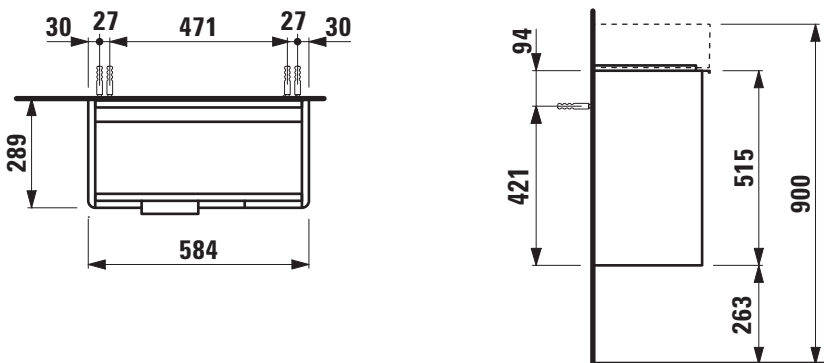




TECHNICAL DATA

Order no.	40255.2	Weight	14,0 kg
Dimensions (WxHxD)	584 x 515 x 289 mm	Accessories excl.	Feet (2 pieces), anodized aluminium, order no. 40299.0
Matching for	Washbasin, order no. 81528.5		Space saving siphon, order no. 89424.0
Specification	Body/Front White matt, Oyster white, Traffic grey: Body MDF with PVC foil (post-forming) Front MDF with PVC foil and ABS edges White glossy: Body MDF with PET foil (post-forming) Front MDF with PET foil and ABS edges Elm light/dark: Body particle board with CPL foil Front melamine coated particle board with ABS edges anodized aluminium handle bar on the top 2 doors (soft-close mechanism) 1 internal glass shelf (adjustable)	Mounting acc. incl.	Installation set for furniture, order no. 49301.5, 49610.3
		Mounting information	The walls installed on must meet the requirements of the furniture in terms of weight and the supplied fastening elements. If this cannot be guaranteed another method of installation needs to be chosen. For example with feet.
		Colours	260 – White matt 261 – White glossy 262 – Light elm 263 – Dark brown elm M01 – Oyster white M36 – Traffic grey 999 – 39 other lacquered colours on request

TECHNICAL DRAWINGS / S 1 : 20

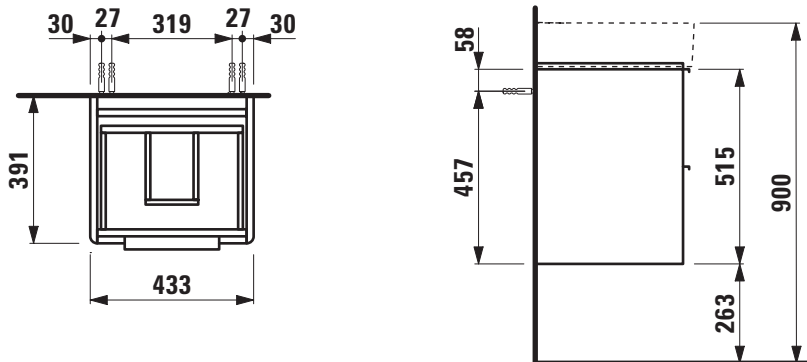




TECHNICAL DATA

Order no.	40213.2 / 2 drawers	Accessories incl.	Drawer organizer, U-shaped, order no. 49611.3
Dimensions (WxHxD)	433 x 515 x 391 mm	Accessories excl.	Feet (2 pieces), anodized aluminium, order no. 40299.0
Matching for	Washbasin, order no. 81528.1		Towel rail, anodized aluminium, order no. 49095.1
Specification	Body/Front White matt, Oyster white, Traffic grey: Body MDF with PVC foil (post-forming) Front MDF with PVC foil and ABS edges White glossy: Body MDF with PET foil (post-forming) Front MDF with PET foil and ABS edges Elm light/dark: Body particle board with CPL foil Front melamine coated particle board with ABS edges anodized aluminium handle bars on the top of the drawers 2 full extension drawers (soft-close mechanism)	Mounting acc. incl.	Space saving siphon, order no. 89424.0 Installation set for furniture, order no. 49114.0, 49301.5
Weight	17,7 kg	Mounting information	The walls installed on must meet the requirements of the furniture in terms of weight and the supplied fastening elements. If this cannot be guaranteed another method of installation needs to be chosen. For example with feet.
		Colours	260 – White matt 261 – White glossy 262 – Light elm 263 – Dark brown elm M01 – Oyster white M36 – Traffic grey 999 – 39 other lacquered colours on request

TECHNICAL DRAWINGS / S 1 : 20

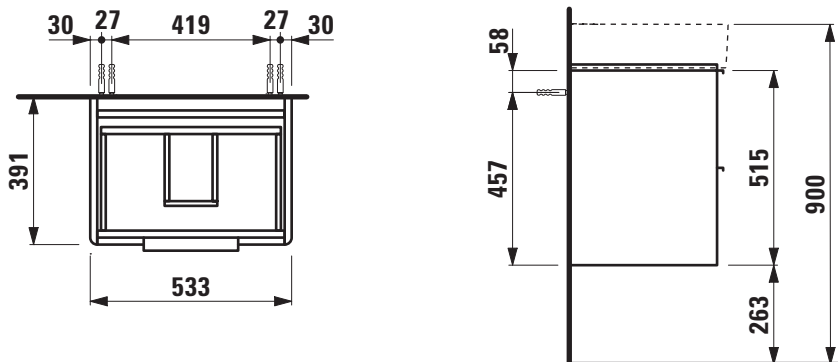




TECHNICAL DATA

Order no.	40219.2 / 2 drawers	Accessories incl.	Drawer organizer, U-shaped, order no. 49611.3
Dimensions (WxHxD)	533 x 515 x 391 mm	Accessories excl.	Feet (2 pieces), anodized aluminium, order no. 40299.0
Matching for	Washbasin, order no. 81028.2		Towel rail, anodized aluminium, order no. 49095.1
Specification	Body/Front White matt, Oyster white, Traffic grey: Body MDF with PVC foil (post-forming) Front MDF with PVC foil and ABS edges White glossy: Body MDF with PET foil (post-forming) Front MDF with PET foil and ABS edges Elm light/dark: Body particle board with CPL foil Front melamine coated particle board with ABS edges anodized aluminium handle bars on the top of the drawers 2 full extension drawers (soft-close mechanism)	Mounting acc. incl.	Space saving siphon, order no. 89424.0 Installation set for furniture, order no. 49114.0, 49301.5
Weight	18,8 kg	Mounting information	The walls installed on must meet the requirements of the furniture in terms of weight and the supplied fastening elements. If this cannot be guaranteed another method of installation needs to be chosen. For example with feet.
		Colours	260 – White matt 261 – White glossy 262 – Light elm 263 – Dark brown elm M01 – Oyster white M36 – Traffic grey 999 – 39 other lacquered colours on request

TECHNICAL DRAWINGS / S 1 : 20

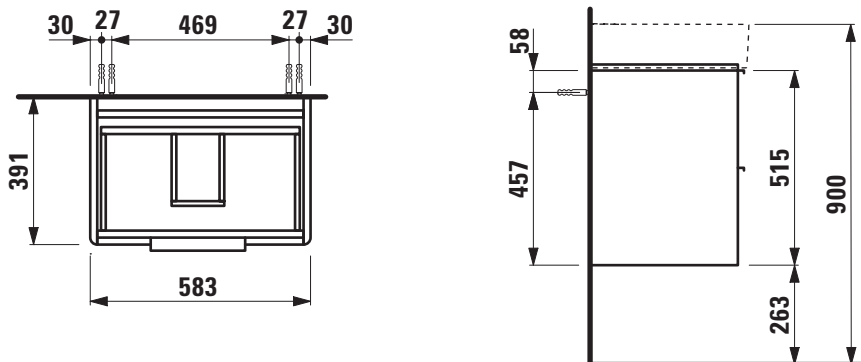




TECHNICAL DATA

Order no.	40225.2 / 2 drawers	Accessories incl.	Drawer organizer, U-shaped, order no. 49611.3
Dimensions (WxHxD)	583 x 515 x 391 mm	Accessories excl.	Feet (2 pieces), anodized aluminium, order no. 40299.0
Matching for	Washbasin, order no. 81028.3		Towel rail, anodized aluminium, order no. 49095.1
Specification	Body/Front White matt, Oyster white, Traffic grey: Body MDF with PVC foil (post-forming) Front MDF with PVC foil and ABS edges White glossy: Body MDF with PET foil (post-forming) Front MDF with PET foil and ABS edges Elm light/dark: Body particle board with CPL foil Front melamine coated particle board with ABS edges anodized aluminium handle bars on the top of the drawers 2 full extension drawers (soft-close mechanism)	Mounting acc. incl.	Space saving siphon, order no. 89424.0 Installation set for furniture, order no. 49114.0, 49301.5
Weight	20,3 kg	Mounting information	The walls installed on must meet the requirements of the furniture in terms of weight and the supplied fastening elements. If this cannot be guaranteed another method of installation needs to be chosen. For example with feet.
		Colours	260 – White matt 261 – White glossy 262 – Light elm 263 – Dark brown elm M01 – Oyster white M36 – Traffic grey 999 – 39 other lacquered colours on request

TECHNICAL DRAWINGS / S 1 : 20

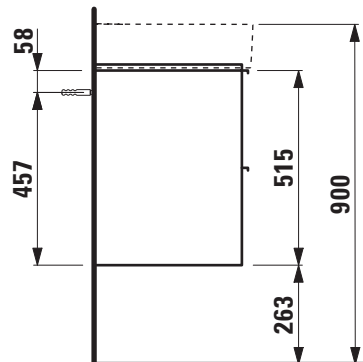
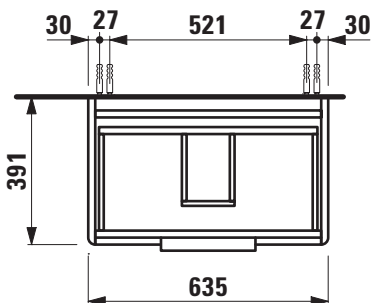




TECHNICAL DATA

Order no.	40231.2 / 2 drawers	Accessories incl.	Drawer organizer, U-shaped, order no. 49611.3
Dimensions (WxHxD)	635 x 515 x 391 mm	Accessories excl.	Feet (2 pieces), anodized aluminium, order no. 40299.0
Matching for	Washbasin, order no. 81028.4		Towel rail, anodized aluminium, order no. 49095.1
Specification	Body/Front White matt, Oyster white, Traffic grey: Body MDF with PVC foil (post-forming) Front MDF with PVC foil and ABS edges White glossy: Body MDF with PET foil (post-forming) Front MDF with PET foil and ABS edges Elm light/dark: Body particle board with CPL foil Front melamine coated particle board with ABS edges anodized aluminium handle bars on the top of the drawers 2 full extension drawers (soft-close mechanism)	Mounting acc. incl.	Space saving siphon, order no. 89424.0 Installation set for furniture, order no. 49114.0, 49301.5
Weight	21,0 kg	Mounting information	The walls installed on must meet the requirements of the furniture in terms of weight and the supplied fastening elements. If this cannot be guaranteed another method of installation needs to be chosen. For example with feet.
		Colours	260 – White matt 261 – White glossy 262 – Light elm 263 – Dark brown elm M01 – Oyster white M36 – Traffic grey 999 – 39 other lacquered colours on request

TECHNICAL DRAWINGS / S 1 : 20

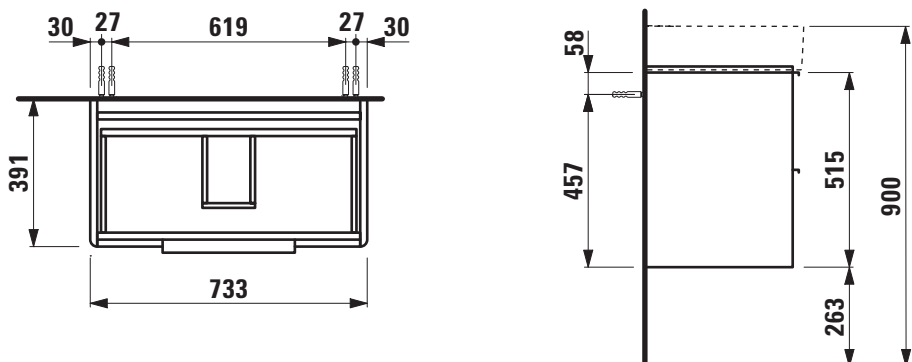




TECHNICAL DATA

Order no.	40235.2 / 2 drawers	Accessories incl.	Drawer organizer, U-shaped, order no. 49611.3
Dimensions (WxHxD)	733 x 515 x 391 mm	Accessories excl.	Feet (2 pieces), anodized aluminium, order no. 40299.0
Matching for	Washbasin, order no. 81028.5		Towel rail, anodized aluminium, order no. 49095.1
Specification	Body/Front White matt, Oyster white, Traffic grey: Body MDF with PVC foil (post-forming) Front MDF with PVC foil and ABS edges White glossy: Body MDF with PET foil (post-forming) Front MDF with PET foil and ABS edges Elm light/dark: Body particle board with CPL foil Front melamine coated particle board with ABS edges anodized aluminium handle bars on the top of the drawers 2 full extension drawers (soft-close mechanism)	Mounting acc. incl.	Space saving siphon, order no. 89424.0 Installation set for furniture, order no. 49114.0, 49301.5
Weight	24,4 kg	Mounting information	The walls installed on must meet the requirements of the furniture in terms of weight and the supplied fastening elements. If this cannot be guaranteed another method of installation needs to be chosen. For example with feet.
		Colours	260 – White matt 261 – White glossy 262 – Light elm 263 – Dark brown elm M01 – Oyster white M36 – Traffic grey 999 – 39 other lacquered colours on request

TECHNICAL DRAWINGS / S 1 : 20

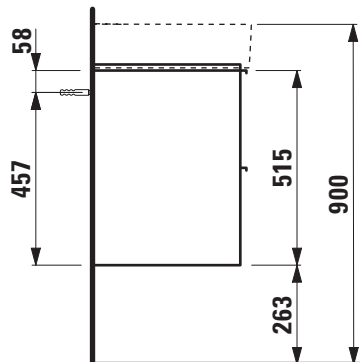
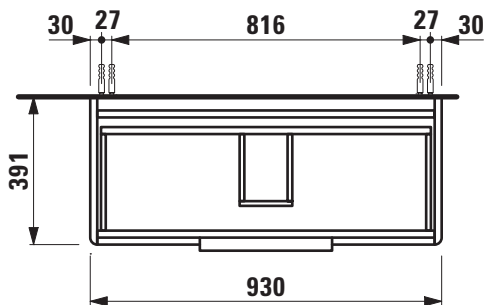




TECHNICAL DATA

Order no.	40241.2 / 2 drawers	Accessories incl.	Drawer organizer, U-shaped, order no. 49611.3
Dimensions (WxHxD)	930 x 515 x 391 mm	Accessories excl.	Feet (2 pieces), anodized aluminium, order no. 40299.0
Matching for	Washbasin, order no. 81028.7		Towel rail, anodized aluminium, order no. 49095.1
Specification	Body/Front White matt, Oyster white, Traffic grey: Body MDF with PVC foil (post-forming) Front MDF with PVC foil and ABS edges White glossy: Body MDF with PET foil (post-forming) Front MDF with PET foil and ABS edges Elm light/dark: Body particle board with CPL foil Front melamine coated particle board with ABS edges anodized aluminium handle bars on the top of the drawers 2 full extension drawers (soft-close mechanism)		Space saving siphon, order no. 89424.0
		Mounting acc. incl.	Installation set for furniture, order no. 49114.0, 49301.5
		Mounting information	The walls installed on must meet the requirements of the furniture in terms of weight and the supplied fastening elements. If this cannot be guaranteed another method of installation needs to be chosen. For example with feet.
		Colours	260 – White matt 261 – White glossy 262 – Light elm 263 – Dark brown elm M01 – Oyster white M36 – Traffic grey 999 – 39 other lacquered colours on request
Weight	27,7 kg		

TECHNICAL DRAWINGS / S 1 : 20



BASE FURNITURE FOR VAL

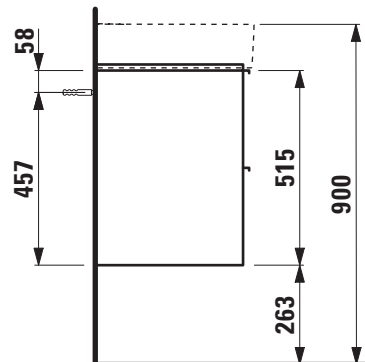
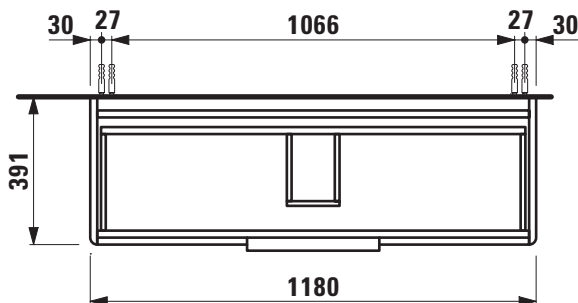
Vanity unit 40247.2



TECHNICAL DATA

Order no.	40247.2 / 2 drawers	Accessories incl.	Drawer organizer, U-shaped, order no. 49611.3
Dimensions (WxHxD)	1180 x 515 x 391 mm	Accessories excl.	Feet (2 pieces), anodized aluminium, order no. 40299.0
Matching for	Washbasin, order no. 81028.9		Towel rail, anodized aluminium, order no. 49095.1
Specification	Body/Front White matt, Oyster white, Traffic grey: Body MDF with PVC foil (post-forming) Front MDF with PVC foil and ABS edges White glossy: Body MDF with PET foil (post-forming) Front MDF with PET foil and ABS edges Elm light/dark: Body particle board with CPL foil Front melamine coated particle board with ABS edges anodized aluminium handle bars on the top of the drawers 2 full extension drawers (soft-close mechanism)	Mounting acc. incl.	Space saving siphon, order no. 89424.0 Installation set for furniture, order no. 49114.0, 49301.5
Weight	33,9 kg	Mounting information	The walls installed on must meet the requirements of the furniture in terms of weight and the supplied fastening elements. If this cannot be guaranteed another method of installation needs to be chosen. For example with feet.
		Colours	260 – White matt 261 – White glossy 262 – Light elm 263 – Dark brown elm M01 – Oyster white M36 – Traffic grey 999 – 39 other lacquered colours on request

TECHNICAL DRAWINGS / S 1 : 20



BASE FURNITURE FOR VAL

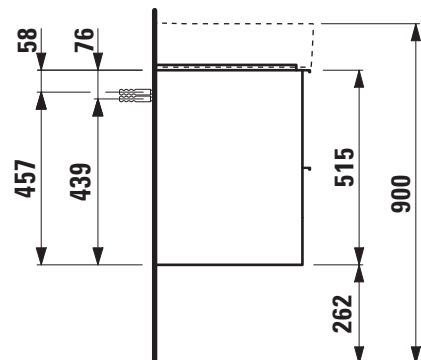
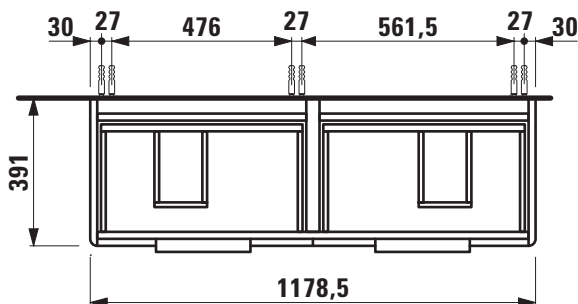
Vanity unit 40253.4



TECHNICAL DATA

Order no.	40253.4 / 4 drawers	Accessories incl.	2 drawer organizers, U-shaped, order no. 49611.3
Dimensions (WxHxD)	1178,5 x 515 x 391 mm	Accessories excl.	Feet (2 pieces), anodized aluminium, order no. 40299.0
Matching for	Double washbasin, order no. 81428.2		Towel rail, anodized aluminium, order no. 49095.1
Specification	Body/Front White matt, Oyster white, Traffic grey: Body MDF with PVC foil (post-forming) Front MDF with PVC foil and ABS edges White glossy: Body MDF with PET foil (post-forming) Front MDF with PET foil and ABS edges Elm light/dark: Body particle board with CPL foil Front melamine coated particle board with ABS edges anodized aluminium handle bars on the top of the drawers 4 full extension drawers (soft-close mechanism)	Mounting acc. incl.	Installation set for furniture, order no. 49114.0, 49301.5
Weight	43,5 kg	Mounting information	The walls installed on must meet the requirements of the furniture in terms of weight and the supplied fastening elements. If this cannot be guaranteed another method of installation needs to be chosen. For example with feet.
		Colours	260 – White matt 261 – White glossy 262 – Light elm 263 – Dark brown elm M01 – Oyster white M36 – Traffic grey 999 – 39 other lacquered colours on request

TECHNICAL DRAWINGS / S 1 : 20

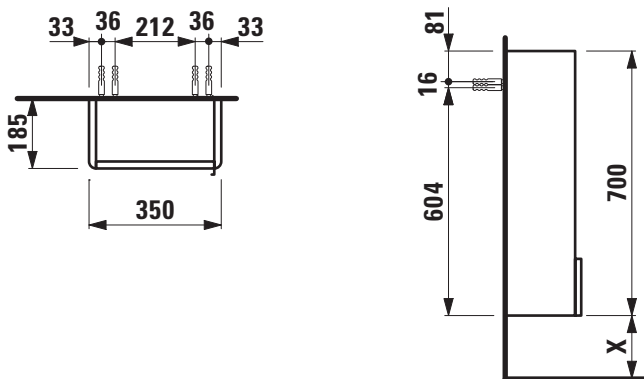




TECHNICAL DATA

Order no.	40260.1 / door hinge left	Mounting acc. incl.	Installation set for furniture, order no. 49302.1
Dimensions (WxHxD)	350 x 700 x 185 mm	Mounting information	The walls installed on must meet the requirements of the furniture in terms of weight and the supplied fastening elements. If this cannot be guaranteed another method of installation needs to be chosen.
Specification	<p>Body/Front</p> <p>White matt, Oyster white, Traffic grey: Body MDF with PVC foil (post-forming) Front MDF with PVC foil and ABS edges</p> <p>White glossy: Body MDF with PET foil (post-forming) Front MDF with PET foil and ABS edges</p> <p>Elm light/dark: Body particle board with CPL foil Front melamine coated particle board with ABS edges</p> <p>anodized aluminium handle bar 1 door (soft-close mechanism) 2 glass shelves (adjustable)</p>	Colours	260 – White matt 261 – White glossy 262 – Light elm 263 – Dark brown elm M01 – Oyster white M36 – Traffic grey 999 – 39 other lacquered colours on request
Weight	10,5 kg		

TECHNICAL DRAWINGS / S 1 : 20



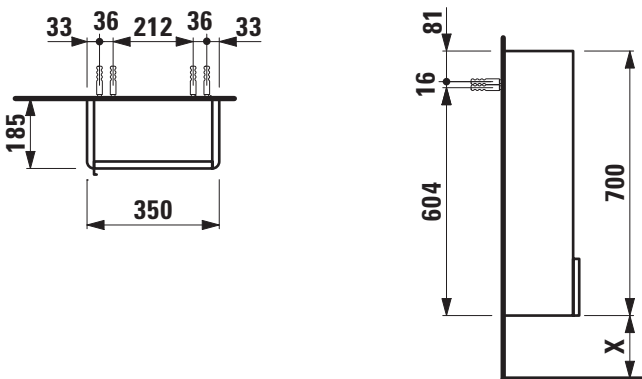
X = The exact height must be set during installation.



TECHNICAL DATA

Order no.	40260.2 / door hinge right	Mounting acc. incl.	Installation set for furniture, order no. 49302.1
Dimensions (WxHxD)	350 x 700 x 185 mm	Mounting information	The walls installed on must meet the requirements of the furniture in terms of weight and the supplied fastening elements. If this cannot be guaranteed another method of installation needs to be chosen.
Specification	<p>Body/Front</p> <p>White matt, Oyster white, Traffic grey: Body MDF with PVC foil (post-forming) Front MDF with PVC foil and ABS edges</p> <p>White glossy: Body MDF with PET foil (post-forming) Front MDF with PET foil and ABS edges</p> <p>Elm light/dark: Body particle board with CPL foil Front melamine coated particle board with ABS edges</p> <p>anodized aluminium handle bar 1 door (soft-close mechanism) 2 glass shelves (adjustable)</p>	Colours	260 – White matt 261 – White glossy 262 – Light elm 263 – Dark brown elm M01 – Oyster white M36 – Traffic grey 999 – 39 other lacquered colours on request
Weight	10,5 kg		

TECHNICAL DRAWINGS / S 1 : 20



X = The exact height must be set during installation.

BASE FURNITURE

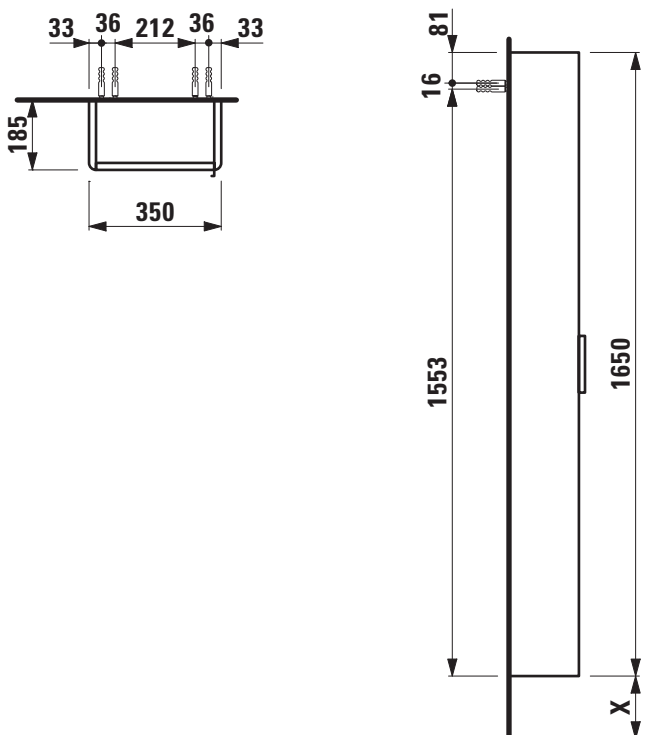
Tall cabinet 40264.1



TECHNICAL DATA

Order no.	40264.1 / door hinge left	Accessories excl.	Feet (2 pieces), aluminium, height X / order no. for combination with vanity units
Dimensions (WxHxD)	350 x 1650 x 185 mm		Base for Laufen Pro S: 283 mm / 40299.1, 293 mm / 40299.2
Specification	White matt, Oyster white, Traffic grey: Body MDF with PVC foil (post-forming) Front MDF with PVC foil and ABS edges White glossy: Body MDF with PET foil (post-forming) Front MDF with PET foil and ABS edges Elm light/dark: Body particle board with CPL foil Front melamine coated particle board with ABS edges anodized aluminium handle bar 1 door (soft-close mechanism) 1 fixed shelf, 4 glass shelves (adjustable)	Mounting acc. incl.	Installation set for furniture, order no. 49302.1
		Mounting information	The walls installed on must meet the requirements of the furniture in terms of weight and the supplied fastening elements. If this cannot be guaranteed another method of installation needs to be chosen. For example with feet.
Weight	22,5 kg	Colours	260 – White matt 261 – White glossy 262 – Light elm 263 – Dark brown elm M01 – Oyster white M36 – Traffic grey 999 – 39 other lacquered colours on request

TECHNICAL DRAWINGS / S 1 : 20



X = The exact height must be set during installation.

BASE FURNITURE

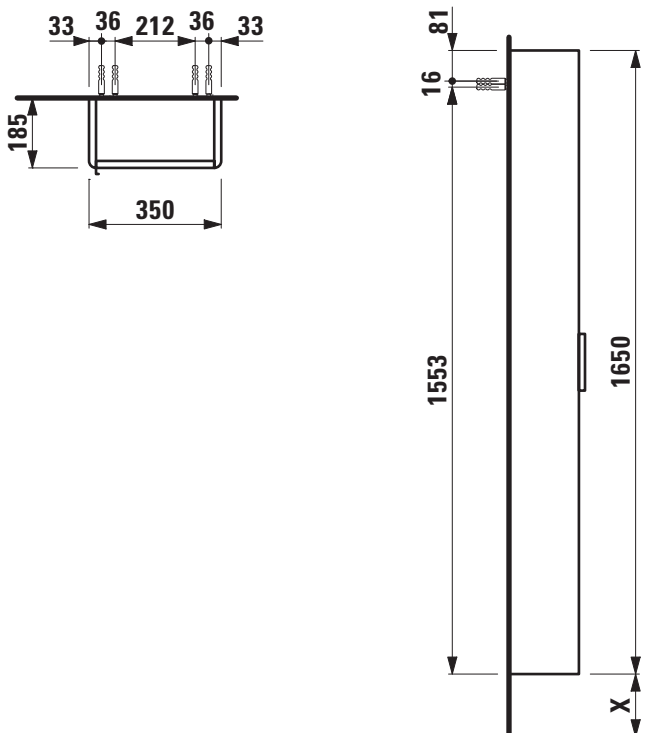
Tall cabinet 40264.2



TECHNICAL DATA

Order no.	40264.2 / door hinge right	Accessories excl.	Feet (2 pieces), aluminium, height X / order no. for combination with vanity units
Dimensions (WxHxD)	350 x 1650 x 185 mm		Base for Laufen Pro S: 283 mm / 40299.1, 293 mm / 40299.2
Specification	<p>White matt, Oyster white, Traffic grey: Body MDF with PVC foil (post-forming) Front MDF with PVC foil and ABS edges</p> <p>White glossy: Body MDF with PET foil (post-forming) Front MDF with PET foil and ABS edges</p> <p>Elm light/dark: Body particle board with CPL foil Front melamine coated particle board with ABS edges</p> <p>anodized aluminium handle bar 1 door (soft-close mechanism) 1 fixed shelf, 4 glass shelves (adjustable)</p>	<p>Mounting acc. incl. Installation set for furniture, order no. 49302.1</p> <p>Mounting information The walls installed on must meet the requirements of the furniture in terms of weight and the supplied fastening elements. If this cannot be guaranteed another method of installation needs to be chosen. For example with feet.</p>	Base for Val: 263 mm / 40299.0
Weight	22,5 kg	Colours	260 – White matt 261 – White glossy 262 – Light elm 263 – Dark brown elm M01 – Oyster white M36 – Traffic grey 999 – 39 other lacquered colours on request

TECHNICAL DRAWINGS / S 1 : 20



X = The exact height must be set during installation.

BASE FURNITURE

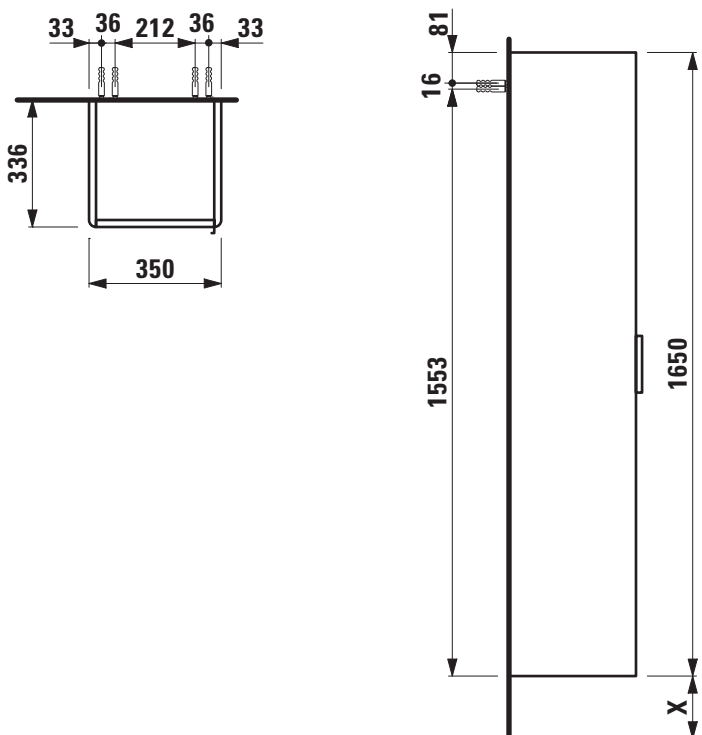
Tall cabinet 40267.1



TECHNICAL DATA

Order no.	40267.1 / door hinge left	Accessories excl	Laundry basket, order no. 49302.0
Dimensions (WxHxD)	350 x 1650 x 336 mm		Feet (2 pieces), aluminium, height X / order no. for combination with vanity units
Specification	White matt, Oyster white, Traffic grey: Body MDF with PVC foil (post-forming) Front MDF with PVC foil and ABS edges White glossy: Body MDF with PET foil (post-forming) Front MDF with PET foil and ABS edges Elm light/dark: Body particle board with CPL foil Front melamine coated particle board with ABS edges anodized aluminium handle bar 1 door (soft-close mechanism) 1 fixed shelf, 4 glass shelves (adjustable)		Base for Laufen Pro S: 283 mm / 40299.1, 293 mm / 40299.2 Base for Val: 263 mm / 40299.0
		Mounting acc. incl.	Installation set for furniture, order no. 49302.1
		Mounting information	The walls installed on must meet the requirements of the furniture in terms of weight and the supplied fastening elements. If this cannot be guaranteed another method of installation needs to be chosen. For example with feet.
Weight	36,0 kg	Colours	260 – White matt 261 – White glossy 262 – Light elm 263 – Dark brown elm M01 – Oyster white M36 – Traffic grey 999 – 39 other lacquered colours on request

TECHNICAL DRAWINGS / S 1 : 20



X = The exact height must be set during installation.

BASE FURNITURE

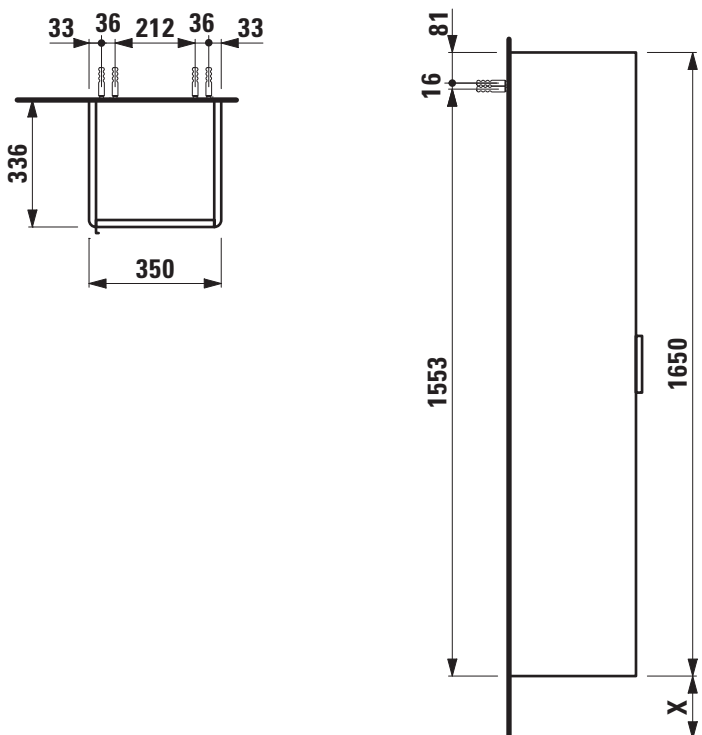
Tall cabinet 40267.2



TECHNICAL DATA

Order no.	40267.2 / door hinge right	Accessories excl	Laundry basket, order no. 49302.0
Dimensions (WxHxD)	350 x 1650 x 336 mm		Feet (2 pieces), aluminium, height X / order no. for combination with vanity units
Specification	White matt, Oyster white, Traffic grey: Body MDF with PVC foil (post-forming) Front MDF with PVC foil and ABS edges White glossy: Body MDF with PET foil (post-forming) Front MDF with PET foil and ABS edges Elm light/dark: Body particle board with CPL foil Front melamine coated particle board with ABS edges anodized aluminium handle bar 1 door (soft-close mechanism) 1 fixed shelf, 4 glass shelves (adjustable)		Base for Laufen Pro S: 283 mm / 40299.1, 293 mm / 40299.2 Base for Val: 263 mm / 40299.0
		Mounting acc. incl.	Installation set for furniture, order no. 49302.1
		Mounting information	The walls installed on must meet the requirements of the furniture in terms of weight and the supplied fastening elements. If this cannot be guaranteed another method of installation needs to be chosen. For example with feet.
Weight	36,0 kg	Colours	260 – White matt 261 – White glossy 262 – Light elm 263 – Dark brown elm M01 – Oyster white M36 – Traffic grey 999 – 39 other lacquered colours on request

TECHNICAL DRAWINGS / S 1 : 20



X = The exact height must be set during installation.

BASE FURNITURE

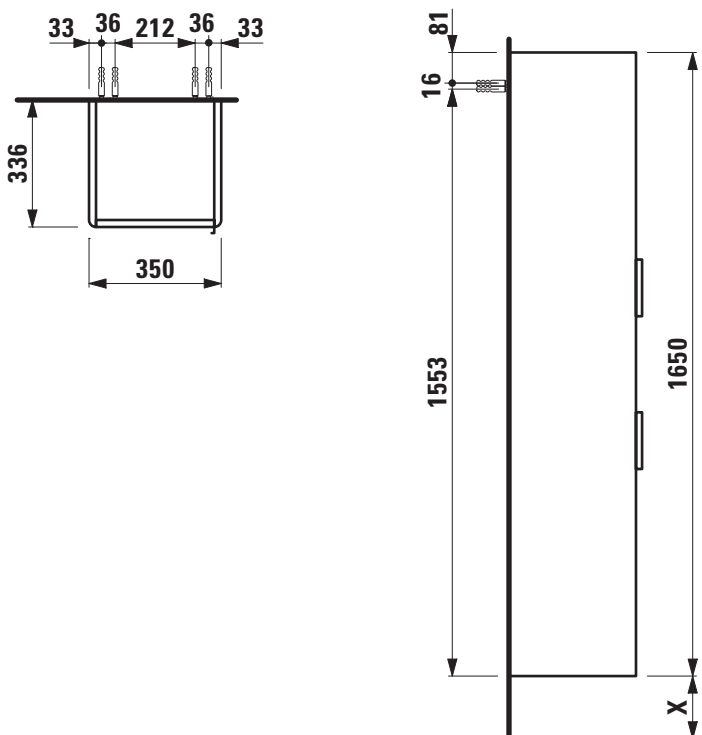
Tall cabinet 40269.1



TECHNICAL DATA

Order no.	40269.1 / door hinge left	Accessories excl.	Laundry basket, order no. 49302.0
Dimensions (WxHxD)	350 x 1650 x 336 mm		Feet (2 pieces), aluminium, height X / order no. for combination with vanity units
Specification	White matt, Oyster white, Traffic grey: Body MDF with PVC foil (post-forming) Front MDF with PVC foil and ABS edges White glossy: Body MDF with PET foil (post-forming) Front MDF with PET foil and ABS edges Elm light/dark: Body particle board with CPL foil Front melamine coated particle board with ABS edges anodized aluminium handle bar 2 doors (soft-close mechanism), 1 open space 2 glass shelves (adjustable)		Base for Laufen Pro S: 283 mm / 40299.1, 293 mm / 40299.2 Base for Val: 263 mm / 40299.0
		Mounting acc. incl.	Installation set for furniture, order no. 49302.1
		Mounting information	The walls installed on must meet the requirements of the furniture in terms of weight and the supplied fastening elements. If this cannot be guaranteed another method of installation needs to be chosen. For example with feet.
Weight	34,0 kg	Colours	260 – White matt 261 – White glossy 262 – Light elm 263 – Dark brown elm M01 – Oyster white M36 – Traffic grey 999 – 39 other lacquered colours on request

TECHNICAL DRAWINGS / S 1 : 20



X = The exact height must be set during installation.

BASE FURNITURE

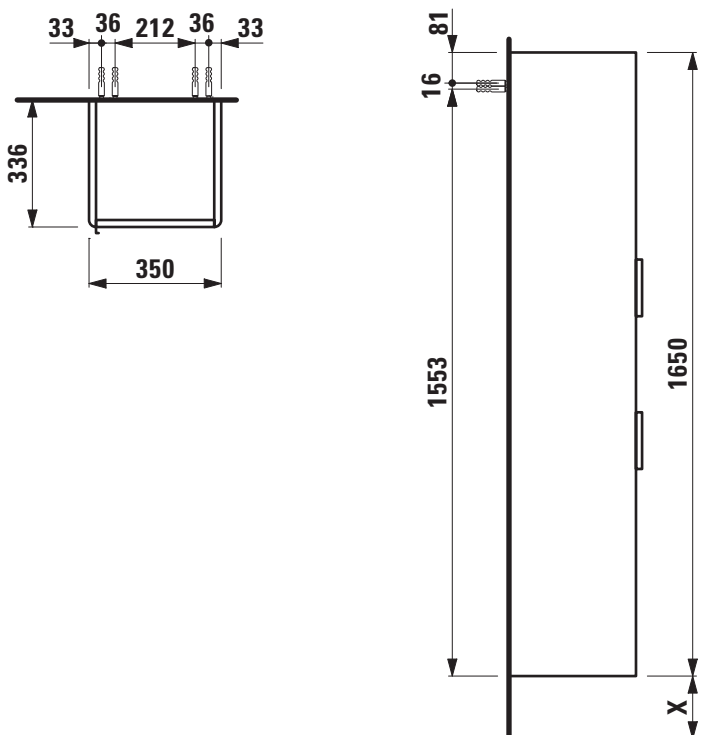
Tall cabinet 40269.2



TECHNICAL DATA

Order no.	40269.2 / door hinge right	Accessories excl.	Laundry basket, order no. 49302.0
Dimensions (WxHxD)	350 x 1650 x 336 mm		Feet (2 pieces), aluminium, height X / order no. for combination with vanity units
Specification	White matt, Oyster white, Traffic grey: Body MDF with PVC foil (post-forming) Front MDF with PVC foil and ABS edges White glossy: Body MDF with PET foil (post-forming) Front MDF with PET foil and ABS edges Elm light/dark: Body particle board with CPL foil Front melamine coated particle board with ABS edges anodized aluminium handle bar 2 doors (soft-close mechanism), 1 open space 2 glass shelves (adjustable)		Base for Laufen Pro S: 283 mm / 40299.1, 293 mm / 40299.2 Base for Val: 263 mm / 40299.0
		Mounting acc. incl.	Installation set for furniture, order no. 49302.1
		Mounting information	The walls installed on must meet the requirements of the furniture in terms of weight and the supplied fastening elements. If this cannot be guaranteed another method of installation needs to be chosen. For example with feet.
Weight	34,0 kg	Colours	260 – White matt 261 – White glossy 262 – Light elm 263 – Dark brown elm M01 – Oyster white M36 – Traffic grey 999 – 39 other lacquered colours on request

TECHNICAL DRAWINGS / S 1 : 20



X = The exact height must be set during installation.

BASE FURNITURE

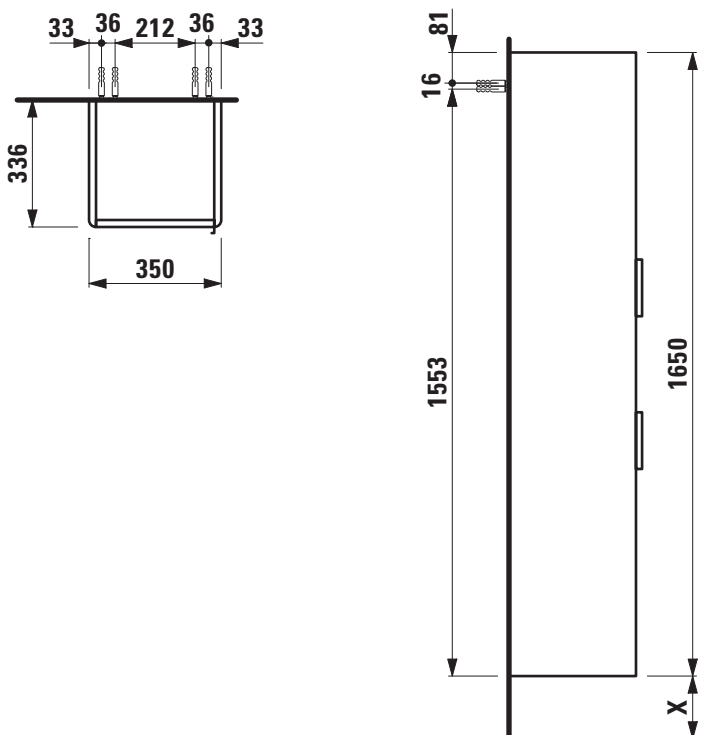
Tall cabinet 40271.1



TECHNICAL DATA

Order no.	40271.1 / door hinge left	Accessories excl.	Laundry basket, order no. 49302.0
Dimensions (WxHxD)	350 x 1650 x 336 mm		Feet (2 pieces), aluminium, height X / order no. for combination with vanity units
Specification	White matt, Oyster white, Traffic grey: Body MDF with PVC foil (post-forming) Front MDF with PVC foil and ABS edges White glossy: Body MDF with PET foil (post-forming) Front MDF with PET foil and ABS edges Elm light/dark: Body particle board with CPL foil Front melamine coated particle board with ABS edges anodized aluminium handle bar 2 doors (soft-close mechanism) 1 push and pull drawer 2 glass shelves (adjustable)		Base for Laufen Pro S: 283 mm / 40299.1, 293 mm / 40299.2 Base for Val: 263 mm / 40299.0
		Mounting acc. incl.	Installation set for furniture, order no. 49302.1
		Mounting information	The walls installed on must meet the requirements of the furniture in terms of weight and the supplied fastening elements. If this cannot be guaranteed another method of installation needs to be chosen. For example with feet.
		Colours	260 – White matt 261 – White glossy 262 – Light elm 263 – Dark brown elm M01 – Oyster white M36 – Traffic grey 999 – 39 other lacquered colours on request
Weight	38,0 kg		

TECHNICAL DRAWINGS / S 1 : 20



X = The exact height must be set during installation.

BASE FURNITURE

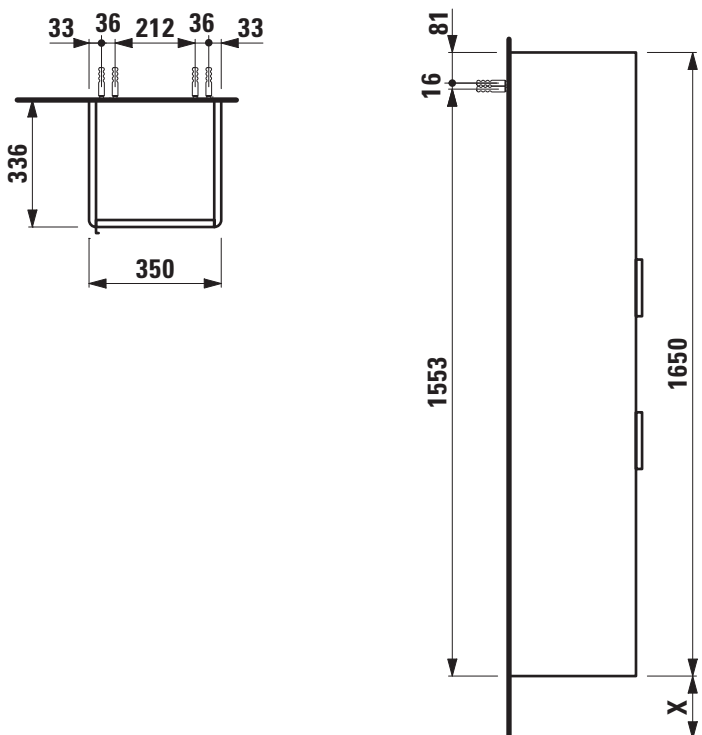
Tall cabinet 40271.2



TECHNICAL DATA

Order no.	40271.2 / door hinge right	Accessories excl.	Laundry basket, order no. 49302.0
Dimensions (WxHxD)	350 x 1650 x 336 mm		Feet (2 pieces), aluminium, height X / order no. for combination with vanity units
Specification	White matt, Oyster white, Traffic grey: Body MDF with PVC foil (post-forming) Front MDF with PVC foil and ABS edges White glossy: Body MDF with PET foil (post-forming) Front MDF with PET foil and ABS edges Elm light/dark: Body particle board with CPL foil Front melamine coated particle board with ABS edges anodized aluminium handle bar 2 doors (soft-close mechanism) 1 push and pull drawer 2 glass shelves (adjustable)		Base for Laufen Pro S: 283 mm / 40299.1, 293 mm / 40299.2 Base for Val: 263 mm / 40299.0
		Mounting acc. incl.	Installation set for furniture, order no. 49302.1
		Mounting information	The walls installed on must meet the requirements of the furniture in terms of weight and the supplied fastening elements. If this cannot be guaranteed another method of installation needs to be chosen. For example with feet.
		Colours	260 – White matt 261 – White glossy 262 – Light elm 263 – Dark brown elm M01 – Oyster white M36 – Traffic grey 999 – 39 other lacquered colours on request
Weight	38,0 kg		

TECHNICAL DRAWINGS / S 1 : 20



X = The exact height must be set during installation.

BASE FURNITURE

Medium cabinet

40261.1

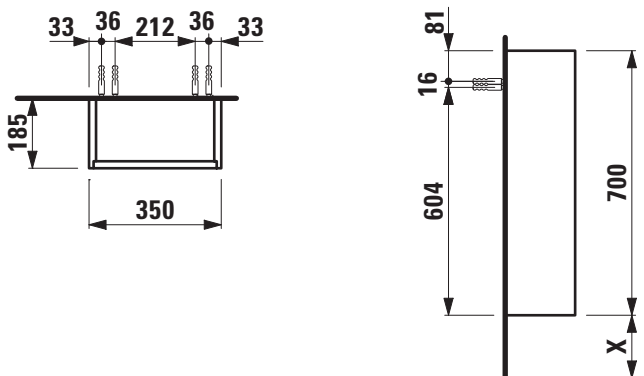
40261.2



TECHNICAL DATA

Order no.	40261.1 / door hinge left 40261.2 / door hinge right	Mounting acc. incl.	Installation set for furniture, order no. 49302.1
Dimensions (WxHxD)	350 x 700 x 185 mm	Mounting information	The walls installed on must meet the requirements of the furniture in terms of weight and the supplied fastening elements. If this cannot be guaranteed another method of installation needs to be chosen.
Matching for	Pack washbasin Laufen Pro S, order no. 86496.0, 86496.1, 86496.2, 86496.3	Colours	260 – White matt 261 – White glossy 262 – Light elm 263 – Dark brown elm M01 – Oyster white M36 – Traffic grey 999 – 39 other lacquered colours on request
Specification	Body/Front White matt, Oyster white, Traffic grey: Body MDF with PVC foil (post-forming) Front MDF with PVC foil and ABS edges White glossy: Body MDF with PET foil (post-forming) Front MDF with PET foil and ABS edges Elm light/dark: Body/Front melamine coated particle board with ABS edges 1 push and pull door (soft-close mechanism) 2 glass shelves (adjustable)		
Weight	10,5 kg		

TECHNICAL DRAWINGS / S 1 : 20



X = The exact height must be set during installation.

BASE FURNITURE

Tall cabinet

40265.1

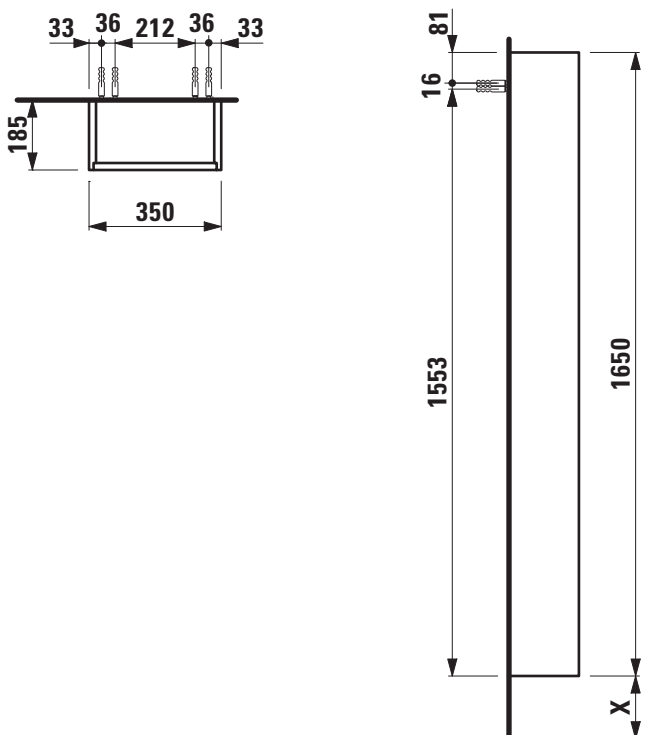
40265.2



TECHNICAL DATA

Order no.	40265.1 / door hinge left 40265.2 / door hinge right	Weight	22,5 kg
Dimensions (WxHxD)	350 x 1650 x 185 mm	Accessories excl.	Feet (2 pieces), aluminium, height X / order no. for combination with pack washbasins Laufen Pro S 86496.x: 293 mm / 48310.5
Matching for	Pack washbasin Laufen Pro S, order no. 86496.0, 86496.1, 86496.2, 86496.3	Mounting acc. incl.	Installation set for furniture, order no. 49302.1
Specification	White matt, Oyster white, Traffic grey: Body MDF with PVC foil (post-forming) Front MDF with PVC foil and ABS edges White glossy: Body MDF with PET foil (post-forming) Front MDF with PET foil and ABS edges Elm light/dark: Body/Front melamine coated particle board with ABS edges 1 push and pull door (soft-close mechanism) 1 fixed shelf 4 glass shelves (adjustable)	Mounting information	The walls installed on must meet the requirements of the furniture in terms of weight and the supplied fastening elements. If this cannot be guaranteed another method of installation needs to be chosen. For example with feet.
		Colours	260 – White matt 261 – White glossy 262 – Light elm 263 – Dark brown elm M01 – Oyster white M36 – Traffic grey 999 – 39 other lacquered colours on request

TECHNICAL DRAWINGS / S 1 : 20



X = The exact height must be set during installation.

BASE FURNITURE

Tall cabinet

40268.1

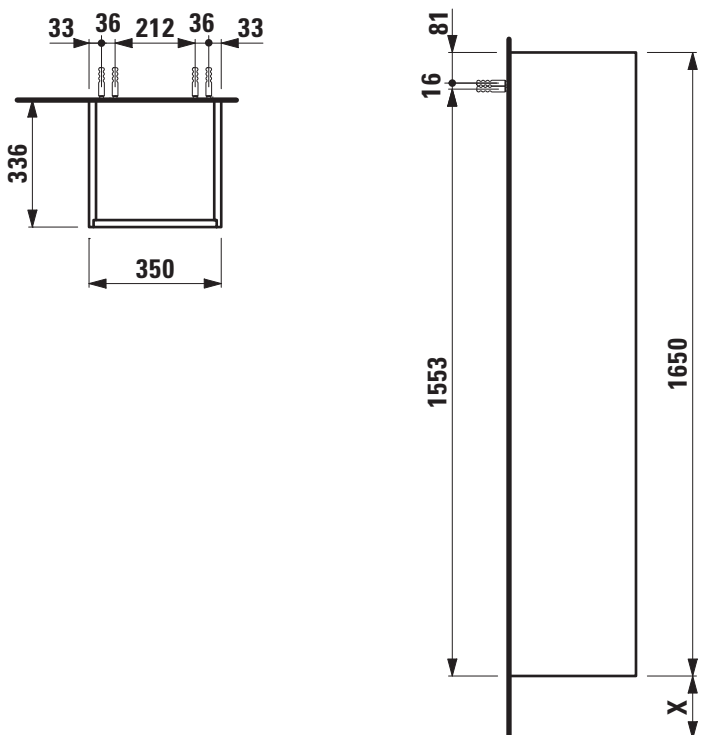
40268.2



TECHNICAL DATA

Order no.	40268.1 / door hinge left 40268.2 / door hinge right	Weight	34,5 kg
Dimensions (WxHxD)	350 x 1650 x 336 mm	Accessories excl.	Laundry basket, order no. 49302.0 Feet (2 pieces), aluminium, height X / order no. for combination with pack washbasins Laufen Pro S 86496.x: 293 mm / 48310.5
Matching for	Pack washbasin Laufen Pro S, order no. 86496.0, 86496.1, 86496.2, 86496.3	Mounting acc. incl.	Installation set for furniture, order no. 49302.1
Specification	White matt, Oyster white, Traffic grey: Body MDF with PVC foil (post-forming) Front MDF with PVC foil and ABS edges White glossy: Body MDF with PET foil (post-forming) Front MDF with PET foil and ABS edges Elm light/dark: Body/Front melamine coated particle board with ABS edges 1 push and pull door (soft-close mechanism) 1 fixed shelf 4 glass shelves (adjustable)	Mounting information	The walls installed on must meet the requirements of the furniture in terms of weight and the supplied fastening elements. If this cannot be guaranteed another method of installation needs to be chosen. For example with feet.
		Colours	260 – White matt 261 – White glossy 262 – Light elm 263 – Dark brown elm M01 – Oyster white M36 – Traffic grey 999 – 39 other lacquered colours on request

TECHNICAL DRAWINGS / S 1 : 20



X = The exact height must be set during installation.

BASE FURNITURE

Tall cabinet

40270.1

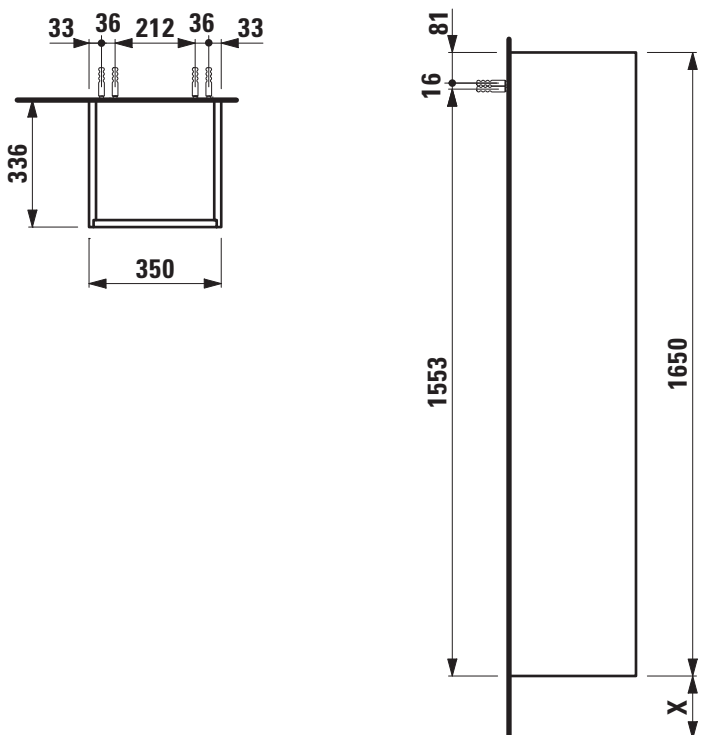
40270.2



TECHNICAL DATA

Order no.	40270.1 / door hinge left 40270.2 / door hinge right	Weight	32,5 kg
Dimensions (WxHxD)	350 x 1650 x 336 mm	Accessories excl.	Laundry basket, order no. 49302.0 Feet (2 pieces), aluminium, height X / order no. for combination with pack washbasins Laufen Pro S 86496.x: 293 mm / 48310.5
Matching for	Pack washbasin Laufen Pro S, order no. 86496.0, 86496.1, 86496.2, 86496.3	Mounting acc. incl.	Installation set for furniture, order no. 49302.1
Specification	White matt, Oyster white, Traffic grey: Body MDF with PVC foil (post-forming) Front MDF with PVC foil and ABS edges White glossy: Body MDF with PET foil (post-forming) Front MDF with PET foil and ABS edges Elm light/dark: Body/Front melamine coated particle board with ABS edges 2 push and pull doors (soft-close mechanism) 1 open space 2 glass shelves (adjustable)	Mounting information	The walls installed on must meet the requirements of the furniture in terms of weight and the supplied fastening elements. If this cannot be guaranteed another method of installation needs to be chosen. For example with feet.
		Colours	260 – White matt 261 – White glossy 262 – Light elm 263 – Dark brown elm M01 – Oyster white M36 – Traffic grey 999 – 39 other lacquered colours on request

TECHNICAL DRAWINGS / S 1 : 20



X = The exact height must be set during installation.

BASE FURNITURE

Tall cabinet

40272.1

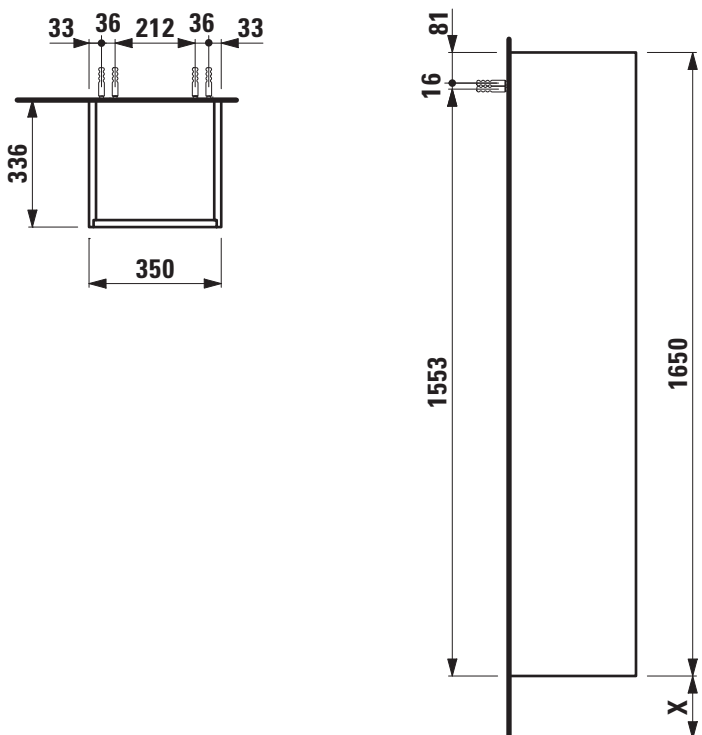
40272.2



TECHNICAL DATA

Order no.	40272.1 / door hinge left 40272.2 / door hinge right	Weight	36,0 kg
Dimensions (WxHxD)	350 x 1650 x 336 mm	Accessories excl.	Laundry basket, order no. 49302.0 Feet (2 pieces), aluminium, height X / order no. for combination with pack washbasins Laufen Pro S 86496.x: 293 mm / 48310.5
Matching for	Pack washbasin Laufen Pro S, order no. 86496.0, 86496.1, 86496.2, 86496.3	Mounting acc. incl.	Installation set for furniture, order no. 49302.1
Specification	White matt, Oyster white, Traffic grey: Body MDF with PVC foil (post-forming) Front MDF with PVC foil and ABS edges White glossy: Body MDF with PET foil (post-forming) Front MDF with PET foil and ABS edges Elm light/dark: Body/Front melamine coated particle board with ABS edges 2 push and pull doors (soft-close mechanism) 1 push and pull drawer (soft-close mechanism) 2 glass shelves (adjustable)	Mounting information	The walls installed on must meet the requirements of the furniture in terms of weight and the supplied fastening elements. If this cannot be guaranteed another method of installation needs to be chosen. For example with feet.
		Colours	260 – White matt 261 – White glossy 262 – Light elm 263 – Dark brown elm M01 – Oyster white M36 – Traffic grey 999 – 39 other lacquered colours on request

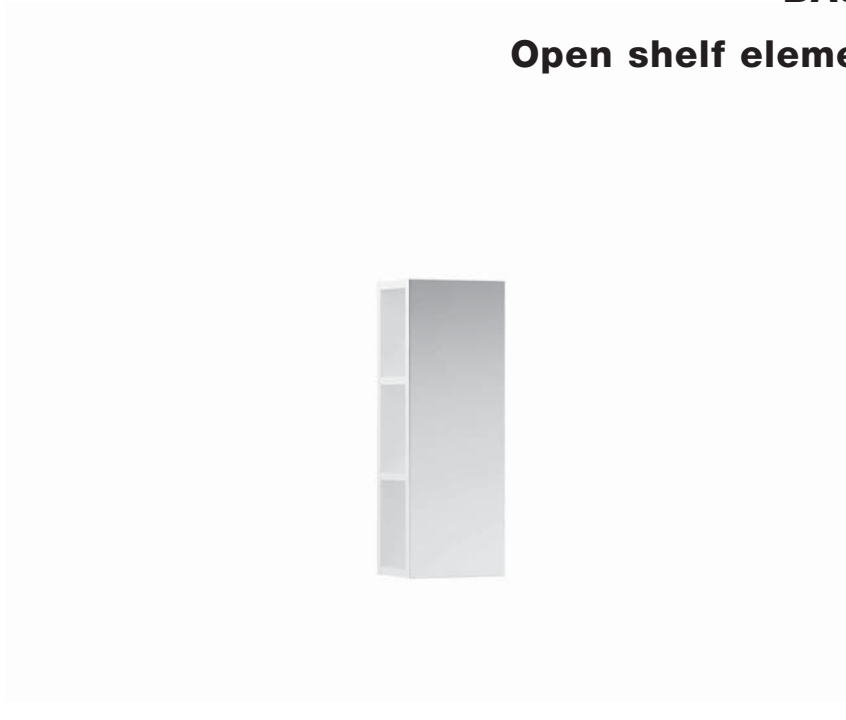
TECHNICAL DRAWINGS / S 1 : 20



X = The exact height must be set during installation.

Open shelf element with mirror

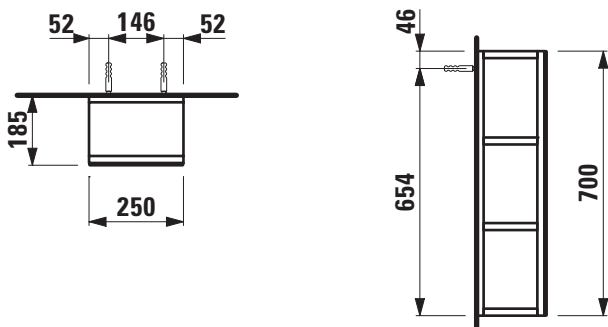
40295.0



TECHNICAL DATA

Order no.	40295.0	Mounting information	The walls installed on must meet the requirements of the furniture in terms of weight and the supplied fastening elements. If this cannot be guaranteed another method of installation needs to be chosen.
Dimensions (WxHxD)	250 x 700 x 185 mm	Colours	260 – White matt 261 – White glossy 262 – Light elm 263 – Dark brown elm M01 – Oyster white M36 – Traffic grey 999 – 39 other lacquered colours on request
Specification	<p>Body</p> <p>White matt, Oyster white, Traffic grey: MDF with PVC foil (postforming)</p> <p>White glossy: MDF with PET foil (postforming)</p> <p>Elm light/dark: Melamine coated particle board with ABS edges (stepforming)</p> <p>Front – mirror</p> <p>Open side at left and right</p> <p>With hidden wall fixation</p> <p>2 fixed shelves</p>		
Weight	8,5 kg		
Mounting acc. incl.	Installation set 49137.4		

TECHNICAL DRAWINGS / S 1 : 20

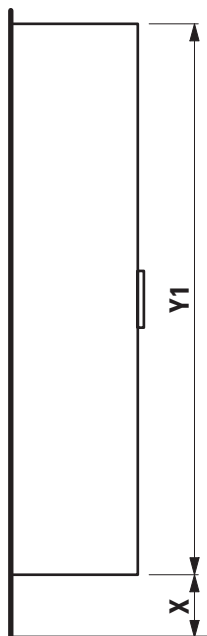
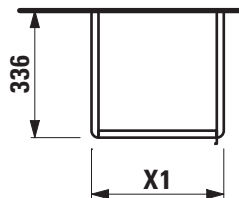


BASE

TALL CABINET MADE TO MEASURE 40273.0

COPY BEFORE FILLING IN

tick the appropriate, respectively give the dimensions



tall cabinet, side panels with radius

1 door (soft-close mechanism), with handle
 minimum width (X1) = 250 mm / max: 450 mm
 minimum height (Y1) = 700 mm / max: 1650 mm
 delivery time: 4 weeks

measure X1: mm

measure Y1: mm

quantity: piece(s)

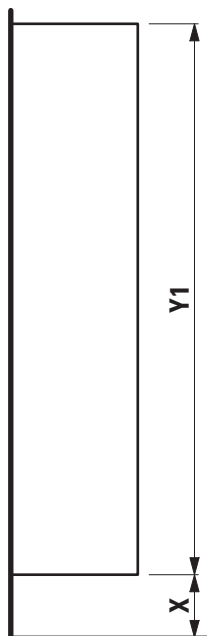
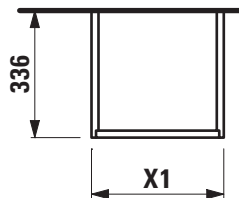
price: piece(s)

door hinge left door hinge right

feet round (2 pieces), anodized aluminium

height X / order no. – for combination with vanity units

- 263 mm / 40299.0 – Base for Val
- 283 mm / 40299.1 – Base for Laufen Pro S
- 293 mm / 40299.2 – Base for Laufen Pro S



tall cabinet, side panels with notch

1 push and pull door
 Laufen Pro S 86496.0/.1/.2/.3
 minimum width (X1) = 250 mm / max: 450 mm
 minimum height (Y1) = 700 mm / max: 1650 mm
 delivery time: 4 weeks

measure X1: mm

measure Y1: mm

quantity: piece(s)

price: piece(s)

door hinge left door hinge right

feet square (2 pieces), anodized aluminium

height X / order no. – for combination with pack washbasins

- 293 mm / 48310.5 – Laufen Pro S 86496.0/.1/.2/.3

Color:

- white matt 260
- white glossy 261
- light elm 262
- dark brown elm 263
- multicolor 999 / color code ____

OBJECT: _____

ARTICLE-NR: _____

INSTALLER: _____

DISTRIBUTER: _____

DATE: _____

SIGNATURE: _____

BASE MIRROR CABINETS

BASE MIRROR CABINET

Mirror cabinet with LED light element

40275.1 / 40275.2

40276.1 / 40276.2

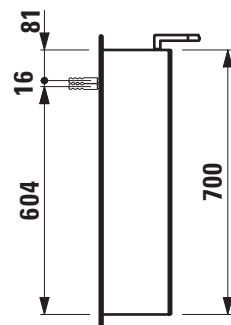
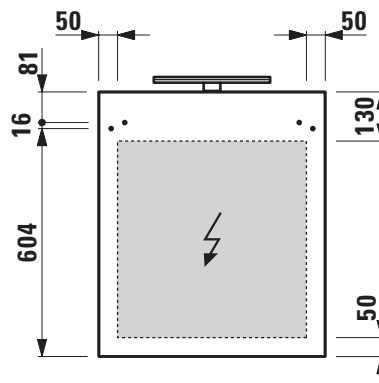
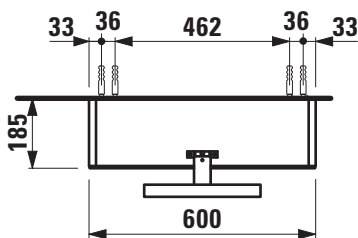
40277.1 / 40277.2



TECHNICAL DATA

Order no.	40275.1 / door hinge left, 1 power socket (EU) 40276.1 / door hinge left, 1 power socket (CH) 40277.1 / door hinge left, 1 power socket (UK) 40275.2 / door hinge right, 1 power socket (EU) 40276.2 / door hinge right, 1 power socket (CH) 40277.2 / door hinge right, 1 power socket (UK)	Weight	16,5 kg
Certified to	IP44	Mounting acc. incl.	Installation set, order no. 49302.1
Dimensions (WxHxD)	600 x 700 x 185 mm	Mounting information	The fortification walls must meet the requirements of the furniture in terms of weight and the supplied fasteners. This can not be guaranteed, another method of attachment is chosen. 230V power supply required.
Specification	Body – inside melamine white White matt, Oyster white, Traffic grey: MDF with PVC foil (postforming) White glossy: MDF with PET foil (postforming) Elm light/dark: Melamine coated particle board with ABS edges (stepforming) Door – Glass 3+3 mm 1 door with inside and outside mirrors With horizontal LED light element 1x 7W/m, 4000 Kelvin (daylight), IP44, 230V 2 glass shelves (adjustable)	Colours	260 – White matt 261 – White glossy 262 – Light elm 263 – Dark brown elm M01 – Oyster white M36 – Traffic grey 999 – 39 other lacquered colours on request

TECHNICAL DRAWINGS / S 1 : 20



BASE MIRROR CABINET

Mirror cabinet with LED light element

40280.2

40281.2

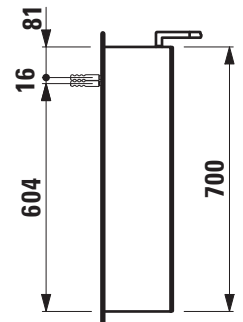
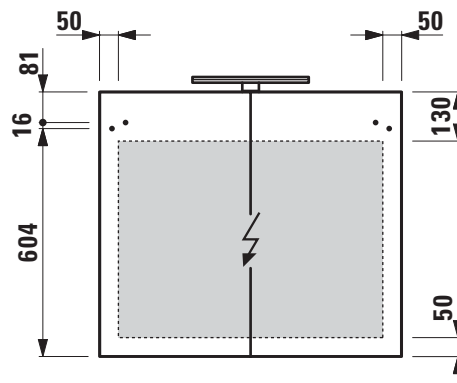
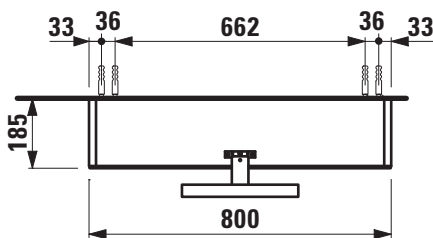
40282.2



TECHNICAL DATA

Order no.	40280.2 / 1 power socket (EU) 40281.2 / 1 power socket (CH) 40282.2 / 1 power socket (UK)	Mounting information	The fortification walls must meet the requirements of the furniture in terms of weight and the supplied fasteners. This can not be guaranteed, another method of attachment is chosen. 230V power supply required.
Certified to	IP44	Colours	260 – White matt 261 – White glossy 262 – Light elm 263 – Dark brown elm M01 – Oyster white M36 – Traffic grey 999 – 39 other lacquered colours on request
Dimensions (WxHxD)	800 x 700 x 185 mm		
Specification	Body – inside melamine white White matt, Oyster white, Traffic grey: MDF with PVC foil (postforming) White glossy: MDF with PET foil (postforming) Elm light/dark: Melamine coated particle board with ABS edges (stepforming) Door – Glass 3+3 mm 2 doors with inside and outside mirrors With horizontal LED light element 1x 7W/m, 4000 Kelvin (daylight), IP44, 230V 2 glass shelves (adjustable)		
Weight	22,0 kg		
Mounting acc. incl.	Installation set, order no. 49302.1		

TECHNICAL DRAWINGS / S 1 : 20



BASE MIRROR CABINET

Mirror cabinet with LED light element

40285.2

40286.2

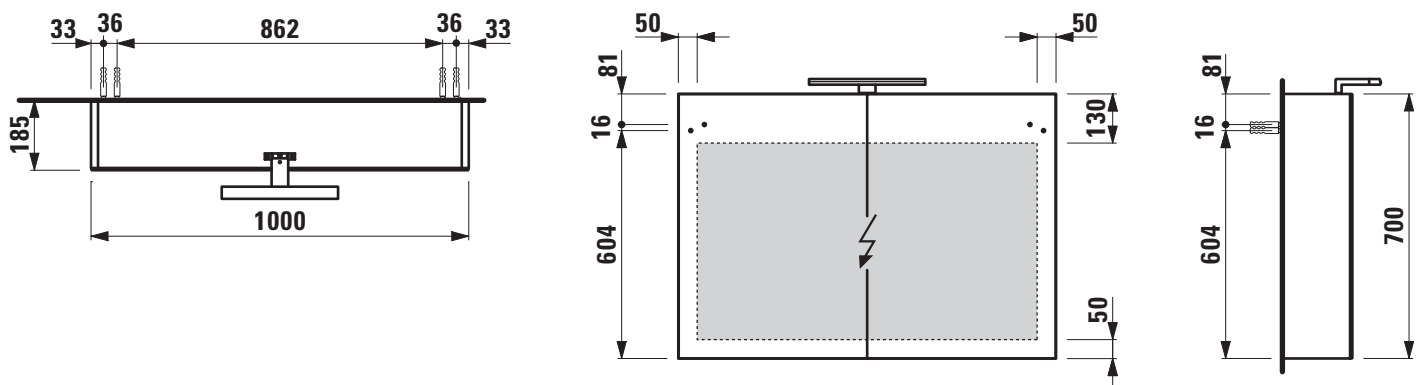
40287.2



TECHNICAL DATA

Order no.	40285.2 / 1 power socket (EU) 40286.2 / 1 power socket (CH) 40287.2 / 1 power socket (UK)	Mounting information	The fortification walls must meet the requirements of the furniture in terms of weight and the supplied fasteners. This can not be guaranteed, another method of attachment is chosen. 230V power supply required.
Certified to	IP44	Colours	260 – White matt 261 – White glossy 262 – Light elm 263 – Dark brown elm M01 – Oyster white M36 – Traffic grey 999 – 39 other lacquered colours on request
Dimensions (WxHxD)	1000 x 700 x 185 mm		
Specification	Body – inside melamine white White matt, Oyster white, Traffic grey: MDF with PVC foil (postforming) White glossy: MDF with PET foil (postforming) Elm light/dark: Melamine coated particle board with ABS edges (stepforming) Door – Glass 3+3 mm 2 doors with inside and outside mirrors With horizontal LED light element 1x 7W/m, 4000 Kelvin (daylight), IP44, 230V 2 glass shelves (adjustable)		
Weight	25,0 kg		
Mounting acc. incl.	Installation set, order no. 49302.1		

TECHNICAL DRAWINGS / S 1 : 20



BASE MIRROR CABINET

Mirror cabinet with LED light element

40290.2

40291.2

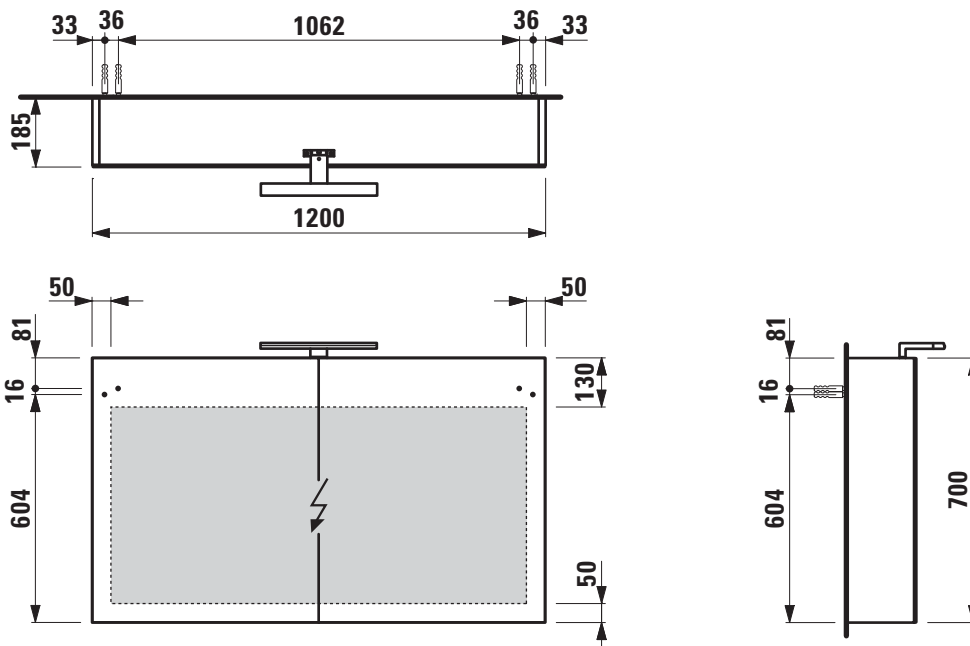
40292.2



TECHNICAL DATA

Order no.	40290.2 / 1 power socket (EU) 40291.2 / 1 power socket (CH) 40292.2 / 1 power socket (UK)	Mounting acc. incl.	Installation set, order no. 49302.1
Certified to	IP44	Mounting information	The fortification walls must meet the requirements of the furniture in terms of weight and the supplied fasteners. This can not be guaranteed, another method of attachment is chosen.
Dimensions (WxHxD)	1200 x 700 x 185 mm		230V power supply required.
Specification	Body – inside melamine white White matt, Oyster white, Traffic grey: MDF with PVC foil (postforming) White glossy: MDF with PET foil (postforming) Elm light/dark: Melamine coated particle board with ABS edges (stepforming) Door – Glass 3+3 mm 2 doors with inside and outside mirrors With horizontal LED light element 1x 7W/m, 4000 Kelvin (daylight), IP44, 230V 2 glass shelves (adjustable)	Colours	260 – White matt 261 – White glossy 262 – Light elm 263 – Dark brown elm M01 – Oyster white M36 – Traffic grey 999 – 39 other lacquered colours on request
Weight	32,0 kg		

TECHNICAL DRAWINGS / S 1 : 20



BOUTIQUE FURNITURE

Vanity unit without / with cut out

40900.0

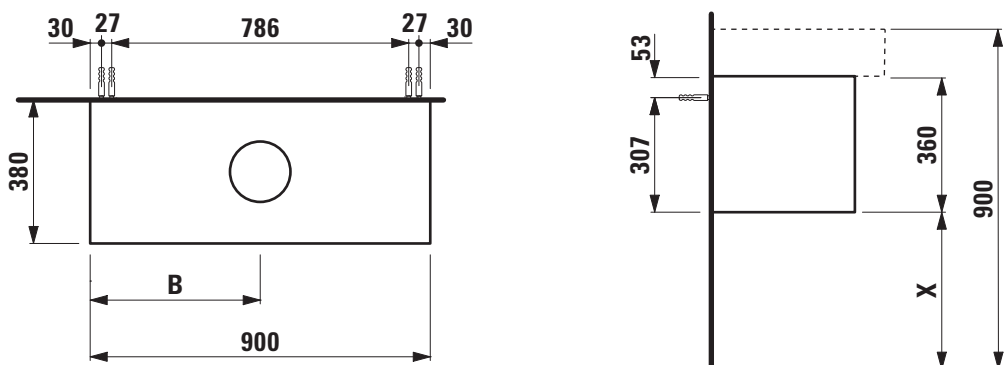
40900.3



TECHNICAL DATA

Order no.	40900.0 / without cut out 40900.3 / 1 cut out	Accessories excl.	Power socket (EU), IP44, order no. 49298.4 Power socket (CH), IP44, order no. 49298.5 Drawer separations (not recommended with shelf) small, order no. 40920.0 Space saving siphon, order no. 89424.0
Dimensions (WxHxD)	900 x 360 x 380 mm	Mounting acc. incl.	Installation set for furniture, order no. 49120.6
Matching for washbasin	see table below	Mounting information	The walls installed on must meet the requirements of the furniture in terms of weight and the supplied fastening elements. If this cannot be guaranteed another method of installation needs to be chosen. For example with feet.
Specification	Body/Front – lacquered surface veneer with solid wood edges Slim front with a 4 mm rim 1 push and pull full extension drawer without or with cut out	Colours	250 – Light oak 251 – Dark oak
Weight	22,0 kg		
Accessories excl.	Shelf L shaped for drawer, with pre-drilled holes in the back (left and right) for optional power socket, depth 90 mm, order no. 40924.1 depth 150 mm, order no. 40924.2		

TECHNICAL DRAWINGS / S 1 : 20



B / mm	Ceramic
365	Val 81728.5
375	Kartell by Laufen 81033.4
525	Kartell by Laufen 81033.5

B / mm	Ceramic
450	Kartell by Laufen 81033.2, 81033.3, 81533.1 Ino 81630.0, 81630.2
	Sonar 81234.0, 81234.1, 81234.2, 81234.3, 81634.1, 81634.2 Val 81128.1, 81028.2, 81028.3, 81028.4, 81028.5, 81528.1

X = The exact height must be set during installation.

BOUTIQUE FURNITURE

Vanity unit without / with cut out

40901.0

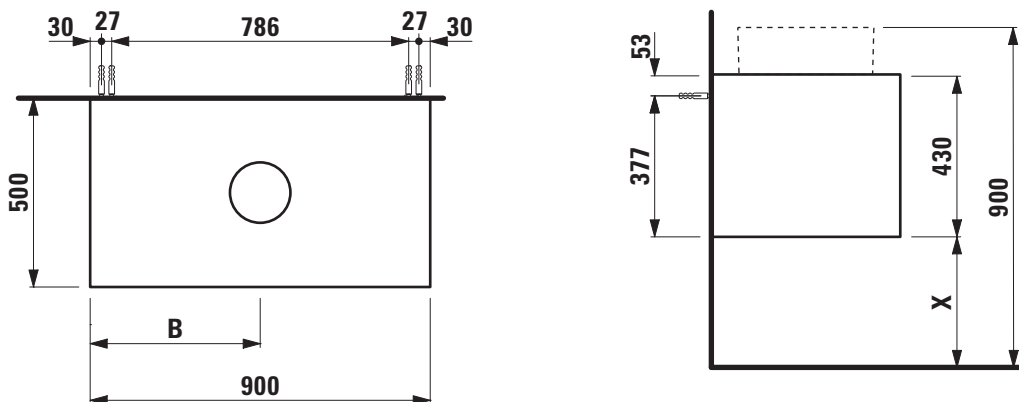
40901.3



TECHNICAL DATA

Order no.	40901.0 / without cut out 40901.3 / 1 cut out	Accessories excl.	Power socket (EU), IP44, order no. 49298.4 Power socket (CH), IP44, order no. 49298.5 Drawer separations (not recommended with shelf) small, order no. 40920.0 Space saving siphon, order no. 89424.0
Dimensions (WxHxD)	900 x 430 x 500 mm	Mounting acc. incl.	Installation set for furniture, order no. 49120.6
Matching for washbasin	see table below	Mounting information	The walls installed on must meet the requirements of the furniture in terms of weight and the supplied fastening elements. If this cannot be guaranteed another method of installation needs to be chosen. For example with feet.
Specification	Body/Front – lacquered surface veneer with solid wood edges Slim front with a 4 mm rim 1 push and pull full extension drawer without or with cut out	Colours	250 – Light oak 251 – Dark oak
Weight	30,5 kg		
Accessories excl.	Base, height 40 mm, order no. 40923.0 Shelf L shaped for drawer, with pre-drilled holes in the back (left and right) for optional power socket, depth 90 mm, order no. 40924.1 depth 150 mm, order no. 40924.2		

TECHNICAL DRAWINGS / S 1 : 20



B / mm	Ceramic
247	Kartell by Laufen 81233.2 (with tap bank left)
225	Palomba 81680.1
346	VAL 81228.2 (left)
358	Val 81628.8
361	Palomba 81680.2
375	Kartell by Laufen 81033.4
400	Palomba 81680.3 Val 81228.1

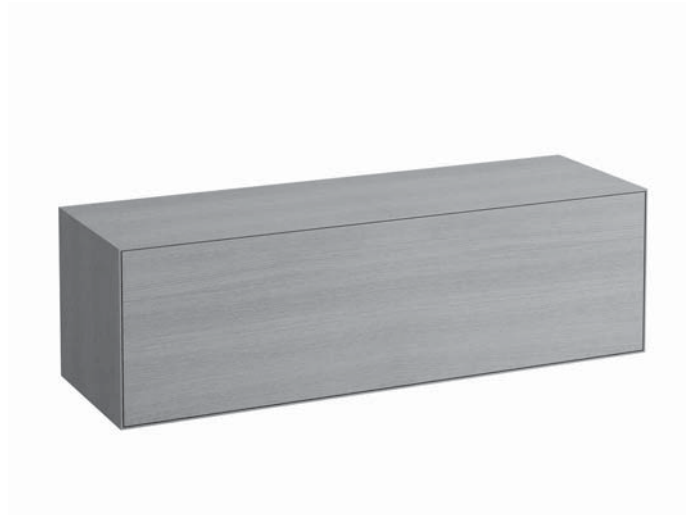
B / mm	Ceramic
450	Kartell by Laufen 81233.1, 81533.1, 81633.2, 81633.3 Living SaphirKeramik 81143.3 (only with wall mounted tap or asymmetric tap position), 81143.4, 81143.5 Ino 81230.0, 81730.1 (only with wall mounted tap or asymmetric tap position), 81230.2, 81630.0, 81630.2, 81730.2 Sonar 81234.0, 81234.1, 81234.2, 81234.3, 81634.1, 81634.2 Val 81728.1, 81628.0, 81628.2, 81628.3, 81628.4, 81628.5
525	Kartell by Laufen 81033.5
553	VAL 81228.2 (right)
655	Kartell by Laufen 81233.2 (with tap bank right)

X = The exact height must be set during installation.

Vanity unit without / with cut out

40903.0

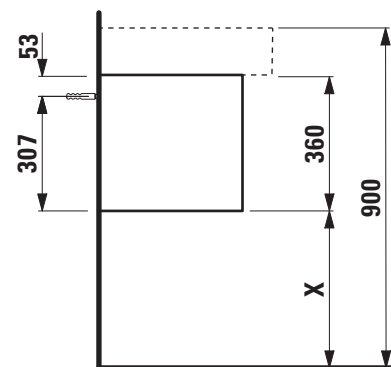
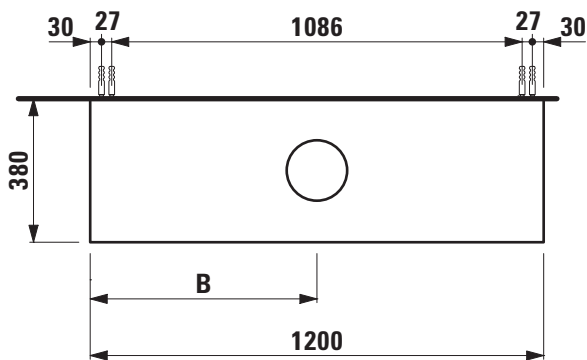
40903.3



TECHNICAL DATA

Order no.	40903.0 / without cut out 40903.3 / 1 cut out	Accessories excl.	Power socket (EU), IP44, order no. 49298.4 Power socket (CH), IP44, order no. 49298.5 Drawer separations (not recommended with shelf) large, order no. 40920.1 Space saving siphon, order no. 89424.0
Dimensions (WxHxD)	1200 x 360 x 380 mm	Mounting acc. incl.	Installation set for furniture, order no. 49120.6
Matching for washbasin	see table below	Mounting information	The walls installed on must meet the requirements of the furniture in terms of weight and the supplied fastening elements. If this cannot be guaranteed another method of installation needs to be chosen. For example with feet.
Specification	Body/Front – lacquered surface veneer with solid wood edges Slim front with a 4 mm rim 1 push and pull full extension drawer without or with cut out	Colours	250 – Light oak 251 – Dark oak
Weight	28,0 kg		
Accessories excl.	Shelf L shaped for drawer, with pre-drilled holes in the back (left and right) for optional power socket, depth 90 mm, order no. 40924.5 depth 150 mm, order no. 40924.6		

TECHNICAL DRAWINGS / S 1 : 20



B / mm	Ceramic
450	Kartell by Laufen 81033.8 (possibility for asymmetric position on request)
515	Val 81728.5
525	Kartell by Laufen 81033.4 (possibility for asymmetric position on request)

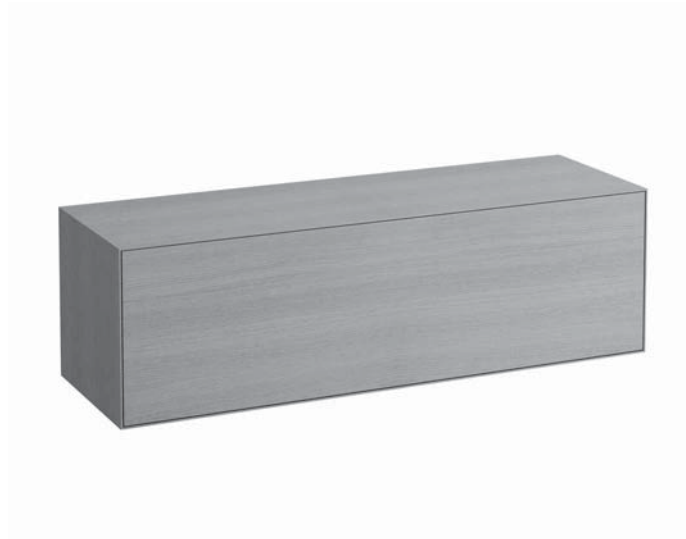
B / mm	Ceramic
600	Kartell by Laufen 81033.2, 81033.3, 81533.1 Ino 81630.0, 81630.2
	Sonar 81234.0, 81234.1, 81234.2, 81234.3, 81634.1, 81634.2, 81634.7 Val 81128.1, 81028.2, 81028.3, 81028.4, 81028.5, 81028.7, 81528.1
675	Kartell by Laufen 81033.5 (possibility for asymmetric position on request)
750	Kartell by Laufen 81033.9 (possibility for asymmetric position on request)

X = The exact height must be set during installation.

Vanity unit without / with cut out left

40903.0

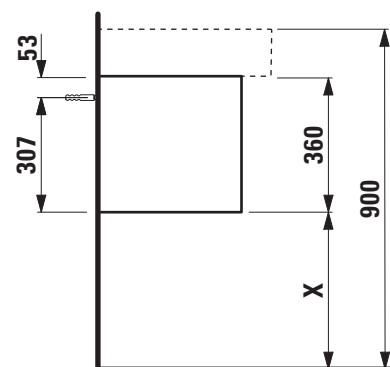
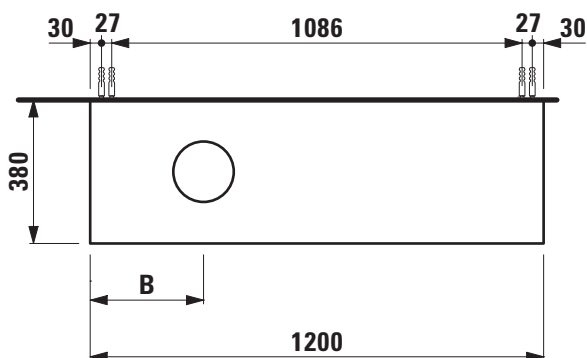
40903.1



TECHNICAL DATA

Order no.	40903.0 / without cut out 40903.1 / 1 cut out left	Accessories excl.	Power socket (EU), IP44, order no. 49298.4 Power socket (CH), IP44, order no. 49298.5 Drawer separations (not recommended with shelf) large, order no. 40920.1 Space saving siphon, order no. 89424.0
Dimensions (WxHxD)	1200 x 360 x 380 mm	Mounting acc. incl.	Installation set for furniture, order no. 49120.6
Matching for washbasin	see table below	Mounting information	The walls installed on must meet the requirements of the furniture in terms of weight and the supplied fastening elements. If this cannot be guaranteed another method of installation needs to be chosen. For example with feet.
Specification	Body/Front – lacquered surface veneer with solid wood edges Slim front with a 4 mm rim 1 push and pull full extension drawer without or with cut out	Colours	250 – Light oak 251 – Dark oak
Weight	28,0 kg		
Accessories excl.	Shelf L shaped for drawer, with pre-drilled holes in the back (left and right) for optional power socket, depth 90 mm, order no. 40924.5 depth 150 mm, order no. 40924.6		

TECHNICAL DRAWINGS / S 1 : 20



B / mm	Ceramic
215	Val 81728.5
225	Kartell by Laufen 81033.4
300	Kartell by Laufen 81033.2, 81033.3, 81033.8, 81533.1 Ino 81630.0, 81630.2 Sonar 81234.0, 81234.1, 81234.2, 81234.3, 81634.1, 81634.2 Val 81128.1, 81028.2, 81028.3, 81528.1

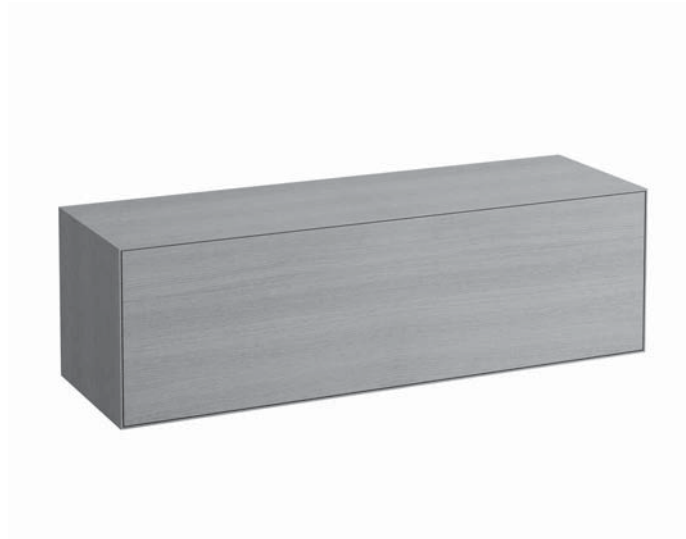
B / mm	Ceramic
325	Val 81028.4
375	Kartell by Laufen 81033.5 Val 81028.5
475	Val 81028.7
600	Kartell by Laufen 81033.9

X = The exact height must be set during installation.

Vanity unit without / with cut out right

40903.0

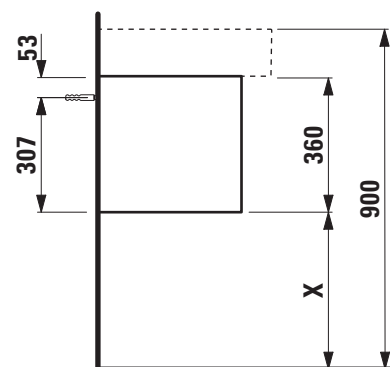
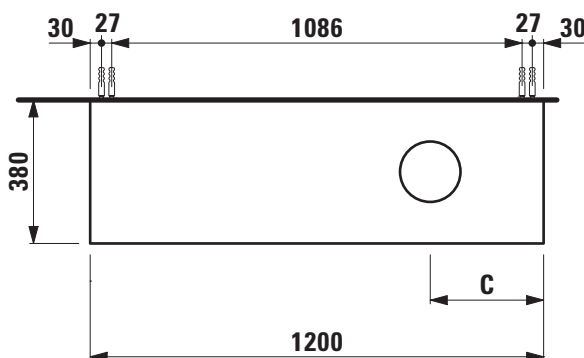
40903.2



TECHNICAL DATA

Order no.	40903.0 / without cut out 40903.2 / 1 cut out right	Accessories excl.	Power socket (EU), IP44, order no. 49298.4 Power socket (CH), IP44, order no. 49298.5 Drawer separations (not recommended with shelf) large, order no. 40920.1 Space saving siphon, order no. 89424.0
Dimensions (WxHxD)	1200 x 360 x 380 mm	Mounting acc. incl.	Installation set for furniture, order no. 49120.6
Matching for washbasin	see table below	Mounting information	The walls installed on must meet the requirements of the furniture in terms of weight and the supplied fastening elements. If this cannot be guaranteed another method of installation needs to be chosen. For example with feet.
Specification	Body/Front – lacquered surface veneer with solid wood edges Slim front with a 4 mm rim 1 push and pull full extension drawer without or with cut out	Colours	250 – Light oak 251 – Dark oak
Weight	28,0 kg		
Accessories excl.	Shelf L shaped for drawer, with pre-drilled holes in the back (left and right) for optional power socket, depth 90 mm, order no. 40924.5 depth 150 mm, order no. 40924.6		

TECHNICAL DRAWINGS / S 1 : 20



C / mm	Ceramic
225	Kartell by Laufen 81033.5
300	Kartell by Laufen 81033.2, 81033.3, 81033.9, 81533.1 Ino 81630.0, 81630.2
	Sonar 81234.0, 81234.1, 81234.2, 81234.3, 81634.1, 81634.2 Val 81128.1, 81028.2, 81028.3, 81528.1
	Val 81028.4

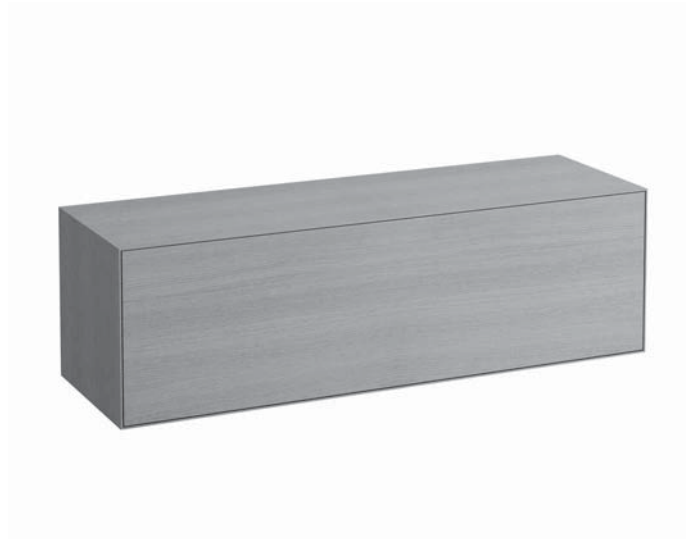
C / mm	Ceramic
375	Kartell by Laufen 81033.4 Val 81028.5
385	Val 81728.5
475	Val 81028.7
600	Kartell by Laufen 81033.8

X = The exact height must be set during installation.

Vanity unit without / with 2 cut outs

40903.0

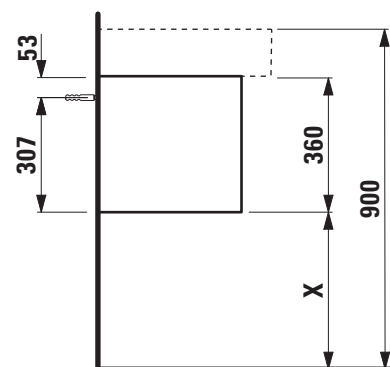
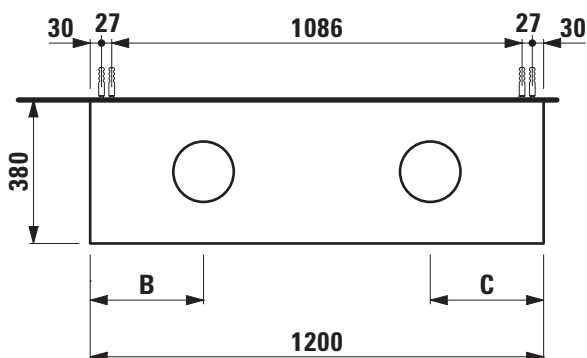
40903.4



TECHNICAL DATA

Order no.	40903.0 / without cut out 40903.4 / 2 cut outs	Accessories excl.	Power socket (EU), IP44, order no. 49298.4 Power socket (CH), IP44, order no. 49298.5 Drawer separations (not recommended with shelf) large, order no. 40920.1 Space saving siphon, order no. 89424.0
Dimensions (WxHxD)	1200 x 360 x 380 mm	Mounting acc. incl.	Installation set for furniture, order no. 49120.6
Matching for washbasin	see table below	Mounting information	The walls installed on must meet the requirements of the furniture in terms of weight and the supplied fastening elements. If this cannot be guaranteed another method of installation needs to be chosen. For example with feet.
Specification	Body/Front – lacquered surface veneer with solid wood edges Slim front with a 4 mm rim 1 push and pull full extension drawer without or with cut out	Colours	250 – Light oak 251 – Dark oak
Weight	28,0 kg		
Accessories excl.	Shelf L shaped for drawer, with pre-drilled holes in the back (left and right) for optional power socket, depth 90 mm, order no. 40924.5 depth 150 mm, order no. 40924.6		

TECHNICAL DRAWINGS / S 1 : 20



B / mm	C / mm	Ceramic
300	300	Kartell by Laufen 81533.1 Ino 81630.0, 81630.2 Sonar 81234.0, 81234.1, 81234.2, 81234.3, 81634.1 Val 81128.1, 81028.2, 81528.1

X = The exact height must be set during installation.

BOUTIQUE FURNITURE

Vanity unit without / with cut out

40905.0

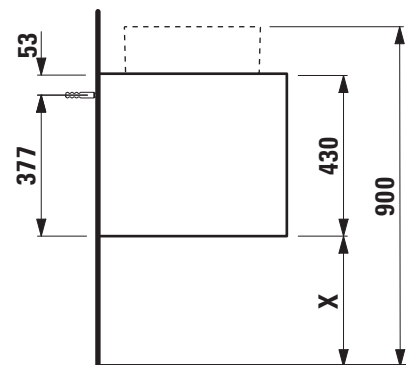
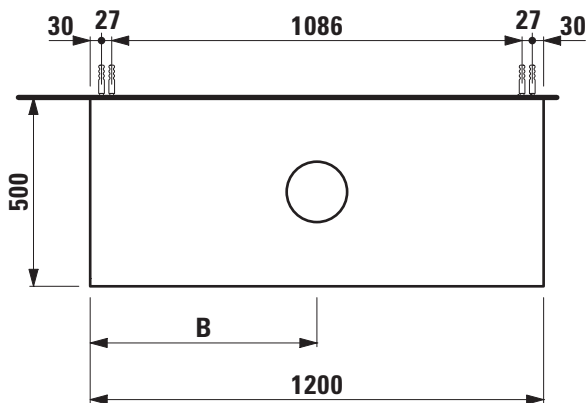
40905.3



TECHNICAL DATA

Order no.	40905.0 / without cut out 40905.3 / 1 cut out	Accessories excl.	Power socket (EU), IP44, order no. 49298.4 Power socket (CH), IP44, order no. 49298.5 Drawer separations (not recommended with shelf) large, order no. 40920.1 Space saving siphon, order no. 89424.0
Dimensions (WxHxD)	1200 x 430 x 500 mm	Mounting acc. incl.	Installation set for furniture, order no. 49120.6
Matching for washbasin	see table below	Mounting information	The walls installed on must meet the requirements of the furniture in terms of weight and the supplied fastening elements. If this cannot be guaranteed another method of installation needs to be chosen. For example with feet.
Specification	Body/Front – lacquered surface veneer with solid wood edges Slim front with a 4 mm rim 1 push and pull full extension drawer without or with cut out	Colours	250 – Light oak 251 – Dark oak
Weight	37,5 kg		
Accessories excl.	Base, height 40 mm, order no. 40923.5 Shelf L shaped for drawer, with pre-drilled holes in the back (left and right) for optional power socket, depth 90 mm, order no. 40924.5 depth 150 mm, order no. 40924.6		

TECHNICAL DRAWINGS / S 1 : 20



B / mm	Ceramic
375	Palomba 81680.1
397	Kartell by Laufen 81233.2 (with tap bank left)
450	Kartell by Laufen 81033.8 (possibility for asymmetric position on request)
496	Val 81228.2 (left)
508	Val 81628.8
511	Palomba 81680.2
525	Kartell by Laufen 81033.4 (possibility for asymmetric position on request)
550	Palomba 81680.3 Val 81228.1
600	Kartell by Laufen 81233.1, 81533.1, 81633.2, 81633.3 Living SaphirKeramik 81143.3, 81143.4 (only with wall mounted tap or asymmetric tap position), 81143.5

B / mm	Ceramic
600	Ino 81230.0, 81230.2, 81730.1, 81730.2 (only with wall mounted tap or asymmetric tap position), 81630.0, 81630.2 Sonar 81234.0, 81234.1, 81234.2, 81234.3, 81234.8, 81234.9, 81634.1, 81634.2, 81634.7 Val 81628.0, 81628.2, 81628.3, 81628.4, 81628.5, 81628.7, 81728.1
675	Kartell by Laufen 81033.5 (possibility for asymmetric position on request)
703	Val 81228.2 (right)
750	Kartell by Laufen 81033.9 (possibility for asymmetric position on request)
802	Kartell by Laufen 81233.2 (with tap bank right)

X = The exact height must be set during installation.

Vanity unit without / with cut out left

40905.0

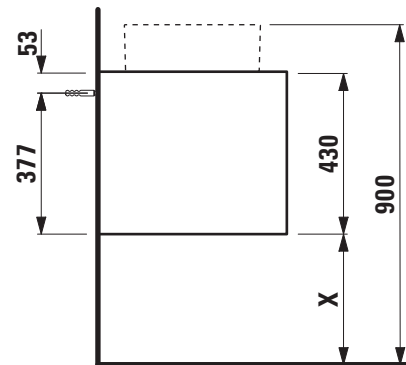
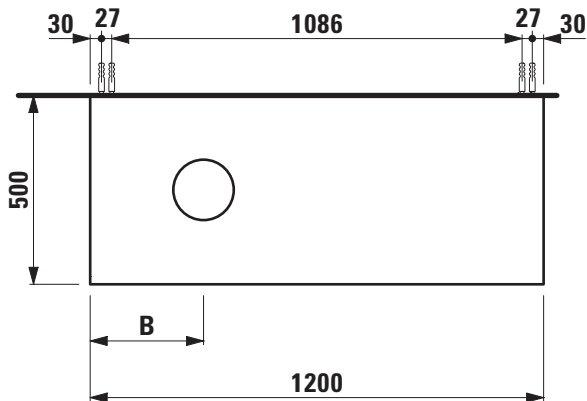
40905.1



TECHNICAL DATA

Order no.	40905.0 / without cut out 40905.1 / 1 cut out left	Accessories excl.	Power socket (EU), IP44, order no. 49298.4 Power socket (CH), IP44, order no. 49298.5 Drawer separations (not recommended with shelf) large, order no. 40920.1 Space saving siphon, order no. 89424.0
Dimensions (WxHxD)	1200 x 430 x 500 mm	Mounting acc. incl.	Installation set for furniture, order no. 49120.6
Matching for washbasin	see table below	Mounting information	The walls installed on must meet the requirements of the furniture in terms of weight and the supplied fastening elements. If this cannot be guaranteed another method of installation needs to be chosen. For example with feet.
Specification	Body/Front – lacquered surface veneer with solid wood edges Slim front with a 4 mm rim 1 push and pull full extension drawer without or with cut out	Colours	250 – Light oak 251 – Dark oak
Weight	37,5 kg		
Accessories excl.	Base, height 40 mm, order no. 40923.5 Shelf L shaped for drawer, with pre-drilled holes in the back (left and right) for optional power socket, depth 90 mm, order no. 40924.5 depth 150 mm, order no. 40924.6		

TECHNICAL DRAWINGS / S 1 : 20



B / mm	Ceramic
171	Kartell by Laufen 81233.2 (with tap bank left)
196	Val 81228.2 (left)
208	Val 81628.8
211	Palomba 81680.2
225	Kartell by Laufen 81033.4 Palomba 81680.1
250	Palomba 81680.3 Val 81228.1
300	Kartell by Laufen 81033.8, 81233.1, 81533.1, 81633.2 Living SaphirKeramik 81143.3, 81143.4 (only with wall mounted tap or asymmetric tap position) Living SaphirKeramik 81143.5

B / mm	Ceramic
300	Ino 81230.0, 81230.2, 81730.1, 81730.2 (only with wall mounted tap or asymmetric tap position), 81630.0, 81630.2 Sonar 81234.0, 81234.1, 81234.2, 81234.3, 81634.1, 81634.2 Val 81628.0, 81628.2, 81628.3, 81728.1
315	Kartell by Laufen 81633.3
325	Val 81628.4
375	Kartell by Laufen 81033.5 Val 81628.5
403	Val 81228.2 (right)
475	Val 81628.7
580	Kartell by Laufen 81233.2 (with tap bank right)
600	Kartell by Laufen 81033.9

X = The exact height must be set during installation.

Vanity unit without / with cut out right

40905.0

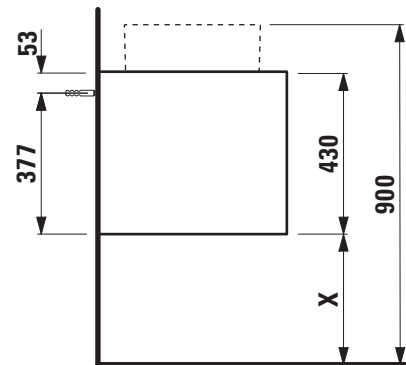
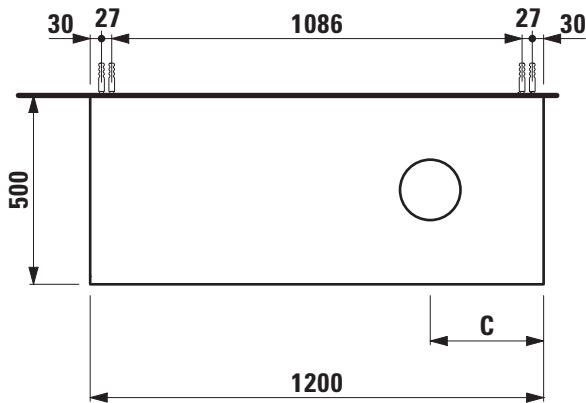
40905.2



TECHNICAL DATA

Order no.	40905.0 / without cut out 40905.2 / 1 cut out right	Accessories excl.	Power socket (EU), IP44, order no. 49298.4 Power socket (CH), IP44, order no. 49298.5 Drawer separations (not recommended with shelf) large, order no. 40920.1 Space saving siphon, order no. 89424.0
Dimensions (WxHxD)	1200 x 430 x 500 mm	Mounting acc. incl.	Installation set for furniture, order no. 49120.6
Matching for washbasin	see table below	Mounting information	The walls installed on must meet the requirements of the furniture in terms of weight and the supplied fastening elements. If this cannot be guaranteed another method of installation needs to be chosen. For example with feet.
Specification	Body/Front – lacquered surface veneer with solid wood edges Slim front with a 4 mm rim 1 push and pull full extension drawer without or with cut out	Colours	250 – Light oak 251 – Dark oak
Weight	37,5 kg		
Accessories excl.	Base, height 40 mm, order no. 40923.5 Shelf L shaped for drawer, with pre-drilled holes in the back (left and right) for optional power socket, depth 90 mm, order no. 40924.5 depth 150 mm, order no. 40924.6		

TECHNICAL DRAWINGS / S 1 : 20



C / mm	Ceramic	
171	Kartell by Laufen 81233.2 (with tap bank right)	
196	Val 81228.2 (right)	
225	Kartell by Laufen 81033.5	
300	Kartell by Laufen 81033.9, 81233.1, 81533.1, 81633.2 Living SaphirKeramik 81143.3, 81143.4 (only with wall mounted tap or asymmetric tap position) Living SaphirKeramik 81143.5 Ino 81230.0, 81230.2, 81730.1, 81730.2 (only wall mounted tap), 81630.0, 81630.2 Sonar 81234.0, 81234.1, 81234.2, 81234.3, 81634.1, 81634.2 Val 81628.0, 81628.2, 81628.3, 81728.1	
	315	Kartell by Laufen 81633.3
	325	Val 81628.4

C / mm	Ceramic
350	Palomba 81680.3 Val 81228.1
	375
389	Palomba 81680.2
392	Val 81628.8
403	Val 81228.2 (left)
475	Val 81628.7
580	Kartell by Laufen 81233.2 (with tap bank left)
600	Kartell by Laufen 81033.8
675	Palomba 81680.1

X = The exact height must be set during installation.

Vanity unit without / with 2 cut outs

40905.0

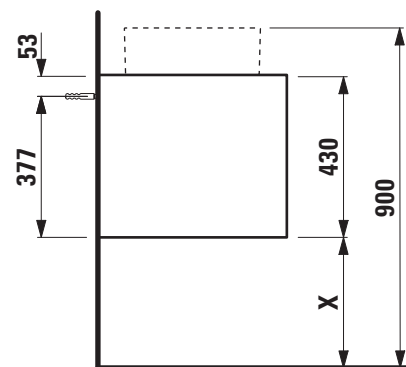
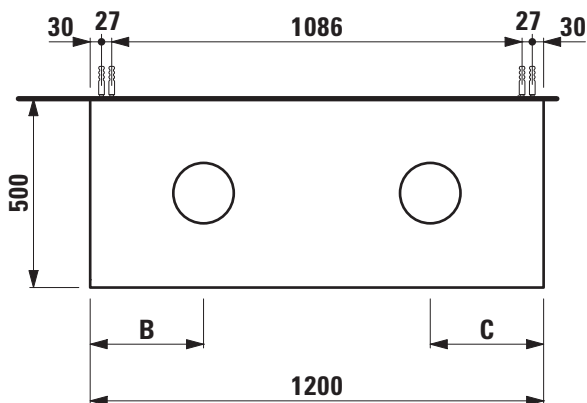
40905.4



TECHNICAL DATA

Order no.	40905.0 / without cut out 40905.4 / 2 cut outs	Accessories excl.	Power socket (EU), IP44, order no. 49298.4 Power socket (CH), IP44, order no. 49298.5 Drawer separations (not recommended with shelf) large, order no. 40920.1 Space saving siphon, order no. 89424.0
Dimensions (WxHxD)	1200 x 430 x 500 mm	Mounting acc. incl.	Installation set for furniture, order no. 49120.6
Matching for washbasin	see table below	Mounting information	The walls installed on must meet the requirements of the furniture in terms of weight and the supplied fastening elements. If this cannot be guaranteed another method of installation needs to be chosen. For example with feet.
Specification	Body/Front – lacquered surface veneer with solid wood edges Slim front with a 4 mm rim 1 push and pull full extension drawer without or with cut out	Colours	250 – Light oak 251 – Dark oak
Weight	37,5 kg		
Accessories excl.	Base, height 40 mm, order no. 40923.5 Shelf L shaped for drawer, with pre-drilled holes in the back (left and right) for optional power socket, depth 90 mm, order no. 40924.5 depth 150 mm, order no. 40924.6		

TECHNICAL DRAWINGS / S 1 : 20



B / mm	C / mm	Ceramic
196	403	Val 81228.2 (left)
208	392	Val 81628.8
211	389	Palomba 81680.2
250	350	Val 81228.1
300	300	Kartell by Laufen 81233.1, 81533.1 Living SaphirKeramik 81143.3 (only with wall mounted tap or asymmetric tap position), 81143.5

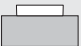
B / mm	C / mm	Ceramic
300	300	Ino 81230.0, 81730.1 (only with wall mounted tap or asymmetric tap position), 81230.2, 81730.2 (only with wall mounted tap), 81630.0, 81630.2 Sonar 81234.0, 81234.1, 81234.2, 81234.3, 81634.1 Val 81628.0, 816282, 81728.1
403	196	Val 81228.2 (right)

X = The exact height must be set during installation.

BOUTIQUE FURNITURE

Matrix for vanity units 900 mm / 1200 mm depth 380 mm

POSSIBLE COMBINATIONS WITH WASHBASINS INO, KARTELL BY LAUFEN, SONAR, VAL


Vanity unit 900 x 380 mm	
Ceramic	
Ino	
81630.0 450x410 mm	✓
81630.2 560x450 mm	✓
Kartell by Laufen	
81533.1 460x460 mm	✓
81033.2 550x460 mm	✓
81033.3 600x460 mm	✓
81033.4 600x460 mm	✓
81033.5 600x460 mm	✓
81033.8 900x460 mm	
81033.9 900x460 mm	
Sonar	
81234.0 / 81234.1 340x340 mm	✓
81234.2 / 81234.3 410x365 mm	✓
81634.1 410x420 mm	✓
81634.2 600x420 mm	✓
81634.7 1000x420 mm	
Val	
81128.1 400x425 mm	✓
81728.5 600x310 mm	✓
81528.1 450x420 mm	✓
81028.2 550x420 mm	✓
81028.3 600x420 mm	✓
81028.4 650x420 mm	✓
81028.5 750x420 mm	✓
81028.7 950x420 mm	


Vanity unit 1200 x 380 mm				
Ceramic				
Ino				
81630.0 450x410 mm	✓	✓	✓	✓
81630.2 560x450 mm	✓	✓	✓	✓
Kartell by Laufen				
81533.1 460x460 mm	✓	✓	✓	✓
81033.2 550x460 mm	✓	✓	✓	
81033.3 600x460 mm	✓	✓	✓	
81033.4 600x460 mm	✓	✓	✓	
81033.5 600x460 mm	✓	✓	✓	
81033.8 900x460 mm	✓	✓	✓	
81033.9 900x460 mm	✓	✓	✓	
Sonar				
81234.0 / 81234.1 340x340 mm	✓	✓	✓	✓
81234.2 / 81234.3 410x365 mm	✓	✓	✓	✓
81634.1 410x420 mm	✓	✓	✓	✓
81634.2 600x420 mm	✓	✓	✓	
81634.7 1000x420 mm	✓			
Val				
81128.1 400x425 mm	✓	✓	✓	✓
81728.5 600x310 mm	✓	✓	✓	
81528.1 450x420 mm	✓	✓	✓	✓
81028.2 550x420 mm	✓	✓	✓	✓
81028.3 600x420 mm	✓	✓	✓	
81028.4 650x420 mm	✓	✓	✓	
81028.5 750x420 mm	✓	✓	✓	
81028.7 950x420 mm	✓	✓	✓	

BOUTIQUE FURNITURE

Matrix for vanity units 900 mm / 1200 mm depth 500 mm

POSSIBLE COMBINATIONS WITH WASHBASINS INO, KARTELL BY LAUFEN, LIVING SAPHIRKERAMIK,
PALOMBA COLLECTION, SONAR, VAL


Vanity unit 900 x 500 mm	
Ceramic	
Ino	
81230.0 350x360 mm	✓
81230.2 500x360 mm	✓
81630.0 450x410 mm	✓
81630.2 560x450 mm	✓
81730.1 350x365 mm	✓
81730.2 500x365 mm	✓
Kartell by Laufen	
81533.1 460x460 mm	✓
81033.2 550x460 mm	✓
81033.3 600x460 mm	✓
81033.4 600x460 mm	✓
81033.5 600x460 mm	✓
81033.8 900x460 mm	
81033.9 900x460 mm	
81233.1 420x420 mm	✓
81233.2 750x350 mm	✓
Living SaphirKeramik	
81143.3 360x360 mm	✓
81143.4 600x340 mm	✓
81143.5 380x380 mm	✓
Palomba Collection	
81680.1 900x420 mm	✓
81680.2 520x380 mm	✓
81680.3 600x400 mm	✓

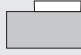

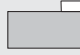

Vanity unit 1200 x 500 mm				
Ceramic				
Ino				
81230.0 350x360 mm	✓	✓	✓	✓
81230.2 500x360 mm	✓	✓	✓	✓
81630.0 450x410 mm	✓	✓	✓	✓
81630.2 560x450 mm	✓	✓	✓	✓
81730.1 350x365 mm	✓	✓	✓	✓
81730.2 500x365 mm	✓	✓	✓	✓
Kartell by Laufen				
81533.1 460x460 mm	✓	✓	✓	✓
81033.2 550x460 mm	✓	✓	✓	
81033.3 600x460 mm	✓	✓	✓	
81033.4 600x460 mm	✓	✓	✓	
81033.5 600x460 mm	✓	✓	✓	
81033.8 900x460 mm	✓	✓	✓	
81033.9 900x460 mm	✓	✓	✓	
81233.1 420x420 mm	✓	✓	✓	✓
81233.2 750x350 mm	✓	✓	✓	
Living SaphirKeramik				
81143.3 360x360 mm	✓	✓	✓	✓
81143.4 600x340 mm	✓	✓	✓	
81143.5 380x380 mm	✓	✓	✓	✓
Palomba Collection				
81680.1 900x420 mm	✓	✓	✓	
81680.2 520x380 mm	✓	✓	✓	✓
81680.3 600x400 mm	✓	✓	✓	

BOUTIQUE FURNITURE

Matrix for vanity units 900 mm / 1200 mm depth 500 mm

POSSIBLE COMBINATIONS WITH WASHBASINS INO, KARTELL BY LAUFEN, LIVING SAPHIRKERAMIK,
PALOMBA COLLECTION, SONAR, VAL

Vanity unit 900 x 500 mm	
Ceramic	
Sonar	
81234.0 / 81234.1 340x340 mm	✓
81234.2 / 81234.3 410x365 mm	✓
81234.8 / 81234.9 1000x370 mm	
81634.1 410x420 mm	✓
81634.2 600x420 mm	✓
81634.7 1000x420 mm	
Val	
81228.1 500x400 mm	✓
81228.2 550x360 mm	✓
81628.0 450x420 mm	✓
81628.2 550x420 mm	✓
81628.3 600x420 mm	✓
81628.4 650x420 mm	✓
81628.5 750x420 mm	✓
81628.7 950x420 mm	
81628.8 530x400 mm	✓
81728.1 550x360 mm	✓

Vanity unit 1200 x 500 mm				
Ceramic				
Sonar				
81234.0 / 81234.1 340x340 mm	✓	✓	✓	✓
81234.2 / 81234.3 410x365 mm	✓	✓	✓	✓
81234.8 / 81234.9 1000x370 mm	✓			
81634.1 410x420 mm	✓	✓	✓	✓
81634.2 600x420 mm	✓	✓	✓	
81634.7 1000x420 mm	✓			
Val				
81228.1 500x400 mm	✓	✓	✓	✓
81228.2 550x360 mm	✓	✓	✓	✓
81628.0 450x420 mm	✓	✓	✓	✓
81628.2 550x420 mm	✓	✓	✓	✓
81628.3 600x420 mm	✓	✓	✓	
81628.4 650x420 mm	✓	✓	✓	
81628.5 750x420 mm	✓	✓	✓	
81628.7 950x420 mm	✓	✓	✓	
81628.8 530x400 mm	✓	✓	✓	✓
81728.1 550x360 mm	✓	✓	✓	✓

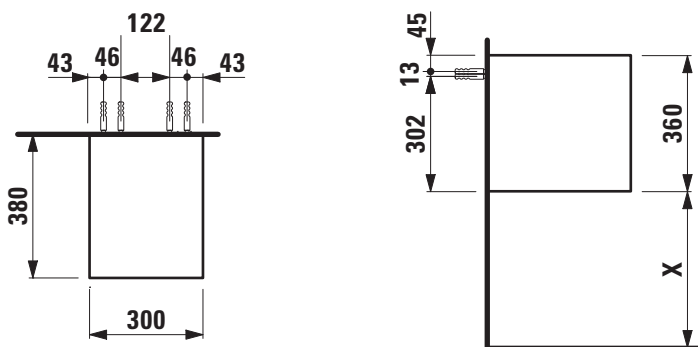


TECHNICAL DATA

Order no.	40910.0
Dimensions (WxHxD)	300 x 360 x 380 mm
Specification	Body – lacquered surface veneer with solid wood edges With hidden wall fixation 1 fixed shelf
Weight	6,5 kg
Mounting acc. incl.	Installation set for furniture, order no. 49664.0

Mounting information	The walls installed on must meet the requirements of the furniture in terms of weight and the supplied fastening elements. If this cannot be guaranteed another method of installation needs to be chosen. For example with feet.
Colours	250 – Light oak 251 – Dark oak

TECHNICAL DRAWINGS / S 1 : 20



X = The exact height must be set during installation.

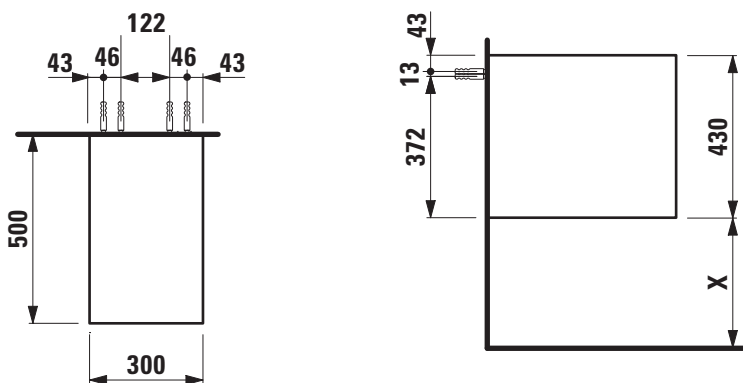


TECHNICAL DATA

Order no.	40910.1
Dimensions (WxHxD)	300 x 430 x 500 mm
Specification	Body – lacquered surface veneer with solid wood edges With hidden wall fixation 1 fixed shelf
Weight	9,5 kg
Mounting acc. incl.	Installation set for furniture, order no. 49664.0

Mounting information	The walls installed on must meet the requirements of the furniture in terms of weight and the supplied fastening elements. If this cannot be guaranteed another method of installation needs to be chosen. For example with feet.
Colours	250 – Light oak 251 – Dark oak

TECHNICAL DRAWINGS / S 1 : 20



X = The exact hight must be set during installation.

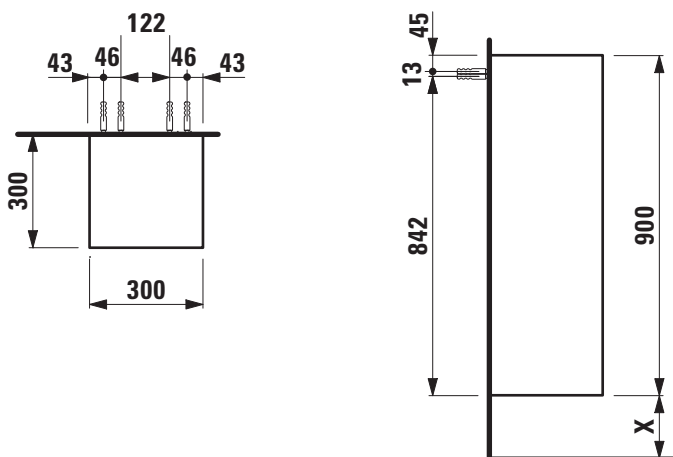


TECHNICAL DATA

Order no.	40917.0
Dimensions (WxHxD)	300 x 900 x 300 mm
Specification	Body – lacquered surface veneer with solid wood edges With hidden wall fixation 2 fixed shelves
Weight	11,0 kg
Mounting acc. incl.	Installation set for furniture, order no. 49664.0

Mounting information	The walls installed on must meet the requirements of the furniture in terms of weight and the supplied fastening elements. If this cannot be guaranteed another method of installation needs to be chosen. For example with feet.
Colours body	250 – Light oak 251 – Dark oak

TECHNICAL DRAWINGS / S 1 : 20



X = The exact height must be set during installation.

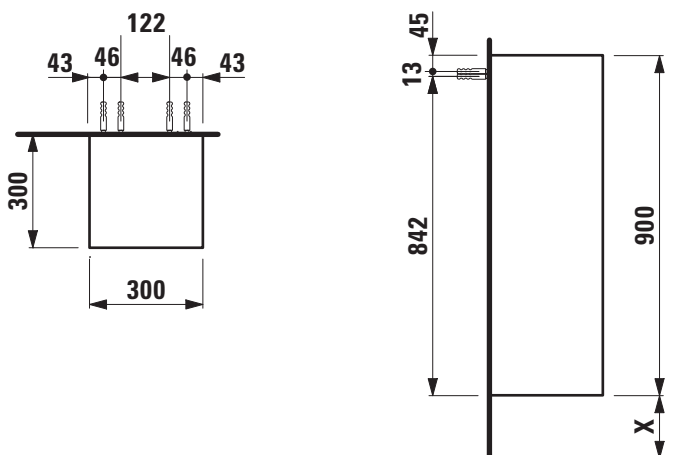


TECHNICAL DATA

Order no.	40915.1/ door hinge left and right
Dimensions (WxHxD)	300 x 900 x 300 mm
Specification	Body/Front – lacquered surface veneer with solid wood edges Slim front with a 4 mm rim 1 push and pull door 2 fixed shelves
Weight	14,0 kg
Mounting acc. incl.	Installation set for furniture, order no. 49664.0

Mounting information	The walls installed on must meet the requirements of the furniture in terms of weight and the supplied fastening elements. If this cannot be guaranteed another method of installation needs to be chosen.
Colours	250 – Light oak 251 – Dark oak

TECHNICAL DRAWINGS / S 1 : 20



X = The exact hight must be set during installation.

BOUTIQUE FURNITURE

Tall cabinet 40913.1

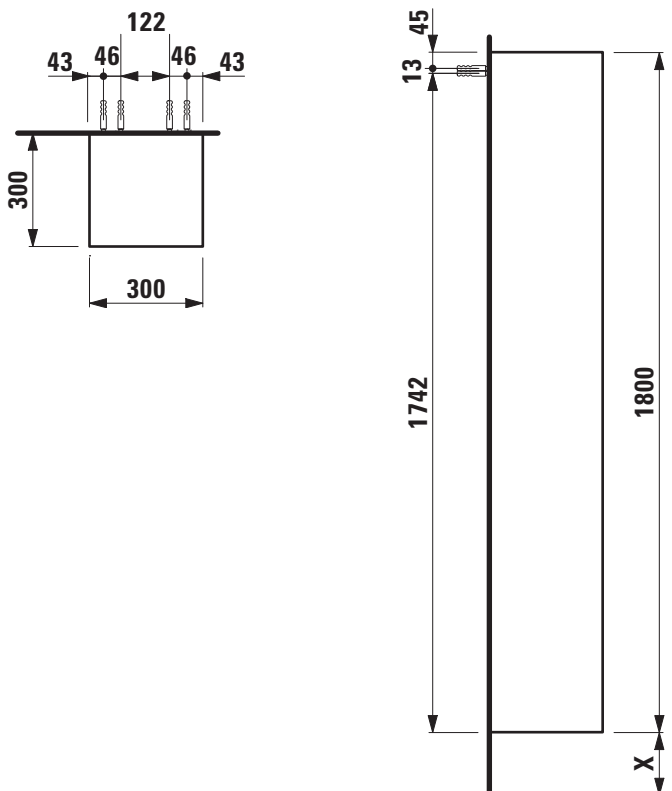


TECHNICAL DATA

Order no.	40913.1 / door hinge left or right
Dimensions (WxHxD)	300 x 1800 x 300 mm
Specification	Body/Front – lacquered surface veneer with solid wood edges Slim front with a 4 mm rim 1 push and pull door 4 fixed shelves
Weight	26,5 kg
Mounting acc. incl.	Installation set for furniture, order no. 49664.0

Mounting information	The walls installed on must meet the requirements of the furniture in terms of weight and the supplied fastening elements. If this cannot be guaranteed another method of installation needs to be chosen. For example with feet.
Colours	250 – Light oak 251 – Dark oak

TECHNICAL DRAWINGS / S 1 : 20



X = The exact height must be set during installation.

MODERNA R FURNITURE

Vanity unit

42515.1

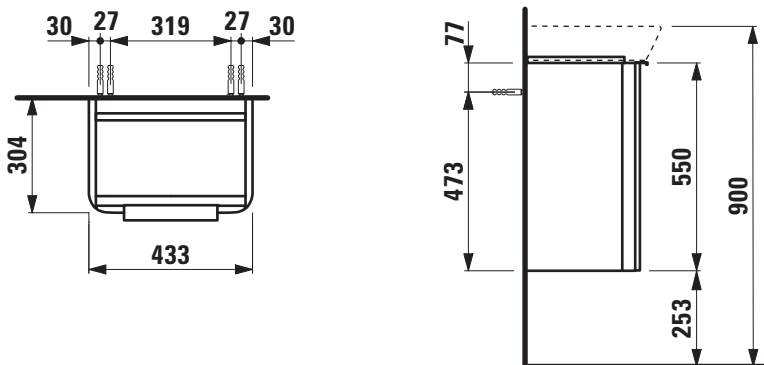
42515.2



TECHNICAL DATA

Order no.	42515.1 / door hinge left 42515.2 / door hinge right	Mounting acc. incl.	Installation set for furniture, order no. 49301.5, 49610.3
Dimensions (WxHxD)	433 x 550 x 304 mm	Mounting information	The walls installed on must meet the requirements of the furniture in terms of weight and the supplied fastening elements. If this cannot be guaranteed another method of installation needs to be chosen. For example with feet.
Matching for	Washbasin, order no. 81554.3	Colours	463 – White matt 475 – White glossy 264 – Honey ash 265 – Dark grey oak
Specification	Body/Front – White matt, White glossy: MDF Super Panel with PVC foil – Honey ash, Dark grey oak: MDF Super Panel with embossed PVC foil inside melamine white anodized aluminium handle bar on the top 1 door (soft-close mechanism) 1 internal glass shelf (adjustable)		
Weight	12,0 kg		
Accessories excl.	Space saving siphon, order no. 89424.0		

TECHNICAL DRAWINGS / S 1 : 20

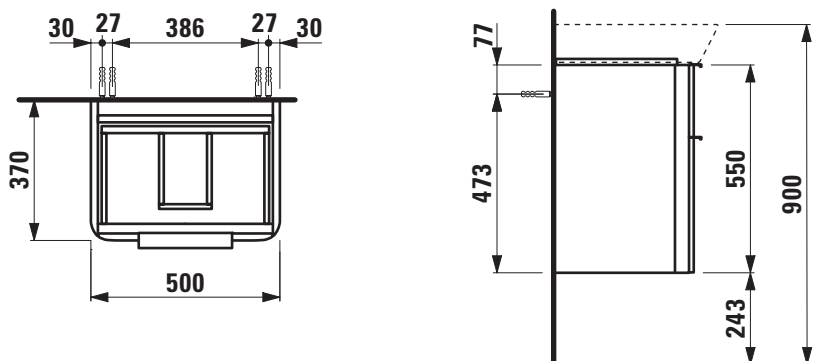




TECHNICAL DATA

Order no.	42516.2 / 2 drawers	Accessories excl.	Towel rail, anodized aluminium, order no. 49095.0
Dimensions (WxHxD)	500 x 550 x 370 mm		Space saving siphon, order no. 89424.0
Matching for	Washbasin, order no. 81154.3	Mounting acc. incl.	Installation set for furniture, order no. 49301.5, 49610.3
Specification	Body/Front – White matt, White glossy: MDF Super Panel with PVC foil – Honey ash, Dark grey oak: MDF Super Panel with embossed PVC foil inside melamine white anodized aluminium handle bars on the top of the drawers 2 full extension drawers (soft-close mechanism)	Mounting information	The walls installed on must meet the requirements of the furniture in terms of weight and the supplied fastening elements. If this cannot be guaranteed another method of installation needs to be chosen. For example with feet.
Weight	20,0 kg	Colours	463 – White matt 475 – White glossy 264 – Honey ash 265 – Dark grey oak

TECHNICAL DRAWINGS / S 1 : 20

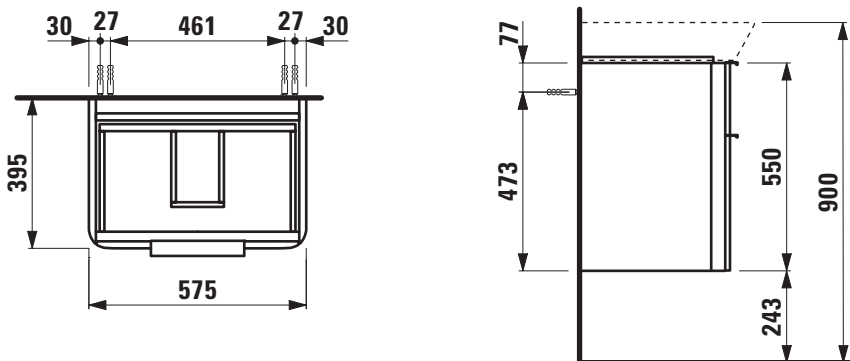




TECHNICAL DATA

Order no.	42517.2 / 2 drawers	Accessories excl.	Towel rail, anodized aluminium, order no. 49095.1
Dimensions (WxHxD)	575 x 550 x 395 mm		Space saving siphon, order no. 89424.0
Matching for	Washbasin, order no. 81154.5	Mounting acc. incl.	Installation set for furniture, order no. 49301.5, 49610.3
Specification	Body/Front – White matt, White glossy: MDF Super Panel with PVC foil – Honey ash, Dark grey oak: MDF Super Panel with embossed PVC foil inside melamine white anodized aluminium handle bars on the top of the drawers 2 full extension drawers (soft-close mechanism)	Mounting information	The walls installed on must meet the requirements of the furniture in terms of weight and the supplied fastening elements. If this cannot be guaranteed another method of installation needs to be chosen. For example with feet.
Weight	23,5 kg	Colours	463 – White matt 475 – White glossy 264 – Honey ash 265 – Dark grey oak
Accessories incl.	Drawer organizer, U-shaped, order no. 49611.3		

TECHNICAL DRAWINGS / S 1 : 20

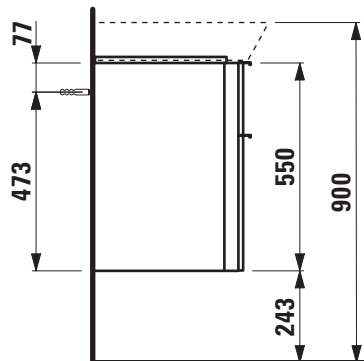
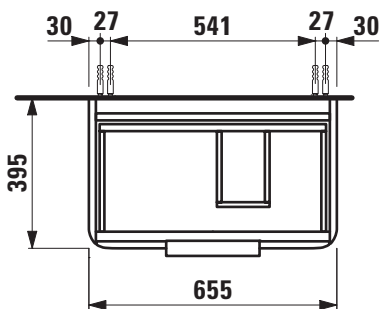




TECHNICAL DATA

Order no.	42518.2 / 2 drawers	Accessories excl.	Towel rail, anodized aluminium, order no. 49095.1
Dimensions (WxHxD)	655 x 550 x 395 mm		Space saving siphon, order no. 89424.0
Matching for	Washbasin, order no. 81754.1	Mounting acc. incl.	Installation set for furniture, order no. 49301.5, 49610.3
Specification	Body/Front – White matt, White glossy: MDF Super Panel with PVC foil – Honey ash, Dark grey oak: MDF Super Panel with embossed PVC foil inside melamine white anodized aluminium handle bars on the top of the drawers 2 full extension drawers (soft-close mechanism)	Mounting information	The walls installed on must meet the requirements of the furniture in terms of weight and the supplied fastening elements. If this cannot be guaranteed another method of installation needs to be chosen. For example with feet.
Weight	25,0 kg	Colours	463 – White matt 475 – White glossy 264 – Honey ash 265 – Dark grey oak
Accessories incl.	Drawer organizer, U-shaped, order no. 49611.3		

TECHNICAL DRAWINGS / S 1 : 20

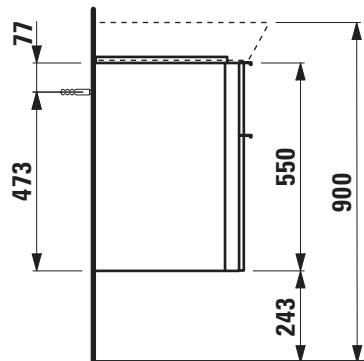
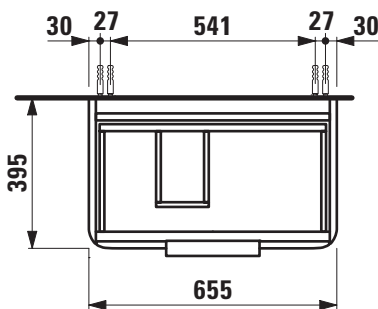




TECHNICAL DATA

Order no.	42519.2 / 2 drawers	Accessories excl.	Towel rail, anodized aluminium, order no. 49095.1
Dimensions (WxHxD)	655 x 550 x 395 mm		Space saving siphon, order no. 89424.0
Matching for	Washbasin, order no. 81754.2	Mounting acc. incl.	Installation set for furniture, order no. 49301.5, 49610.3
Specification	Body/Front – White matt, White glossy: MDF Super Panel with PVC foil – Honey ash, Dark grey oak: MDF Super Panel with embossed PVC foil inside melamine white anodized aluminium handle bars on the top of the drawers 2 full extension drawers (soft-close mechanism)	Mounting information	The walls installed on must meet the requirements of the furniture in terms of weight and the supplied fastening elements. If this cannot be guaranteed another method of installation needs to be chosen. For example with feet.
Weight	25,0 kg	Colours	463 – White matt 475 – White glossy 264 – Honey ash 265 – Dark grey oak
Accessories incl.	Drawer organizer, U-shaped, order no. 49611.3		

TECHNICAL DRAWINGS / S 1 : 20

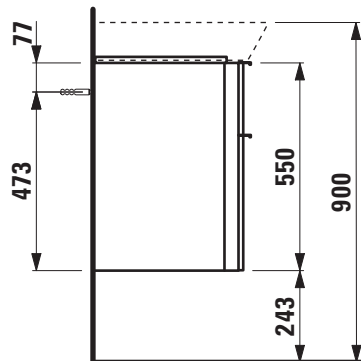
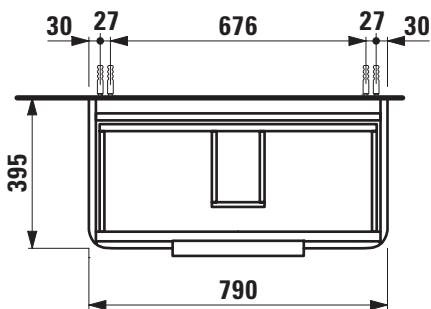




TECHNICAL DATA

Order no.	42520.2 / 2 drawers	Accessories excl.	Towel rail, anodized aluminium, order no. 49095.1
Dimensions (WxHxD)	790 x 550 x 395 mm		Space saving siphon, order no. 89424.0
Matching for	Washbasin, order no. 81354.5	Mounting acc. incl.	Installation set for furniture, order no. 49301.5, 49610.3
Specification	Body/Front – White matt, White glossy: MDF Super Panel with PVC foil – Honey ash, Dark grey oak: MDF Super Panel with embossed PVC foil inside melamine white anodized aluminium handle bars on the top of the drawers 2 full extension drawers (soft-close mechanism)	Mounting information	The walls installed on must meet the requirements of the furniture in terms of weight and the supplied fastening elements. If this cannot be guaranteed another method of installation needs to be chosen. For example with feet.
Weight	29,0 kg	Colours	463 – White matt 475 – White glossy 264 – Honey ash 265 – Dark grey oak
Accessories incl.	Drawer organizer, U-shaped, order no. 49611.3		

TECHNICAL DRAWINGS / S 1 : 20

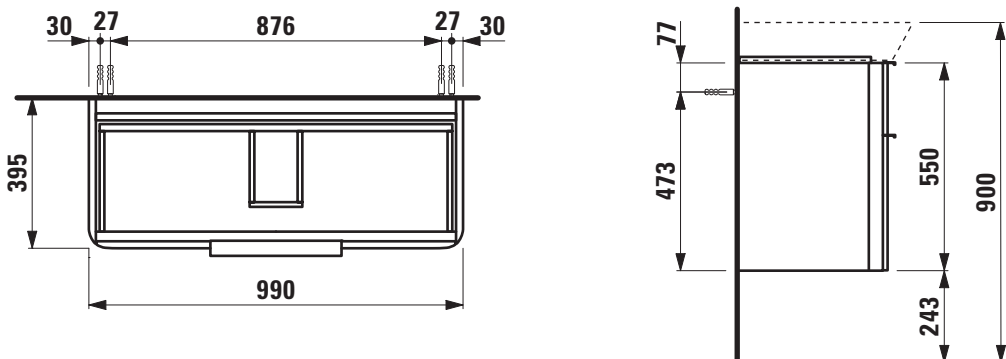




TECHNICAL DATA

Order no.	42521.2 / 2 drawers	Accessories excl.	Towel rail, anodized aluminium, order no. 49095.1
Dimensions (WxHxD)	990 x 550 x 395 mm		Space saving siphon, order no. 89424.0
Matching for	Washbasin, order no. 81354.6	Mounting acc. incl.	Installation set for furniture, order no. 49301.5, 49610.3
Specification	Body/Front – White matt, White glossy: MDF Super Panel with PVC foil – Honey ash, Dark grey oak: MDF Super Panel with embossed PVC foil inside melamine white anodized aluminium handle bars on the top of the drawers 2 full extension drawers (soft-close mechanism)	Mounting information	The walls installed on must meet the requirements of the furniture in terms of weight and the supplied fastening elements. If this cannot be guaranteed another method of installation needs to be chosen. For example with feet.
Weight	34,5 kg	Colours	463 – White matt 475 – White glossy 264 – Honey ash 265 – Dark grey oak
Accessories incl.	Drawer organizer, U-shaped, order no. 49611.3		

TECHNICAL DRAWINGS / S 1 : 20

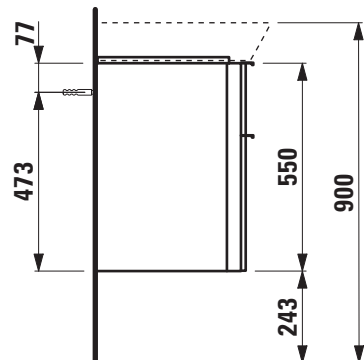
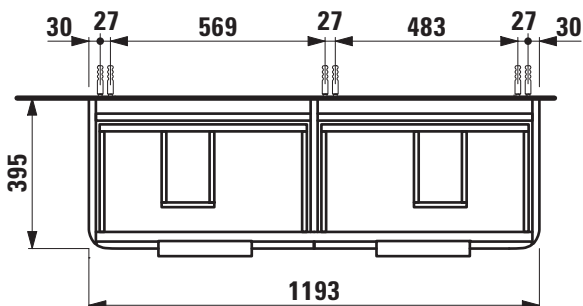




TECHNICAL DATA

Order no.	42522.4 / 4 drawers	Accessories excl.	Towel rail, anodized aluminium, order no. 49095.1
Dimensions (WxHxD)	1193 x 550 x 395 mm		2x space saving siphon, order no. 89424.0
Matching for	Double washbasin, order no. 81454.2	Mounting acc. incl.	Installation set for furniture, order no. 49301.5, 49614.4
Specification	Body/Front – White matt, White glossy: MDF Super Panel with PVC foil – Honey ash, Dark grey oak: MDF Super Panel with embossed PVC foil inside melamine white anodized aluminium handle bars on the top of the drawers 4 full extension drawers (soft-close mechanism)	Mounting information	The walls installed on must meet the requirements of the furniture in terms of weight and the supplied fastening elements. If this cannot be guaranteed another method of installation needs to be chosen. For example with feet.
Weight	47,5 kg	Colours	463 – White matt 475 – White glossy 264 – Honey ash 265 – Dark grey oak
Accessories incl.	2x drawer organizers, U-shaped, order no. 49611.3		

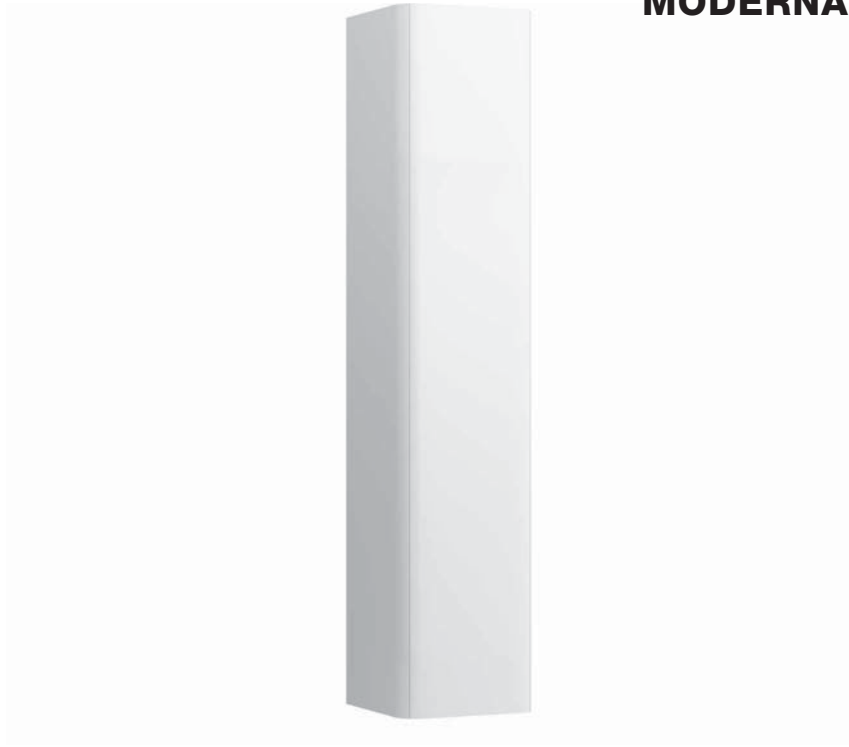
TECHNICAL DRAWINGS / S 1 : 20



Tall cabinet

4**2523.1**

4**2523.2**

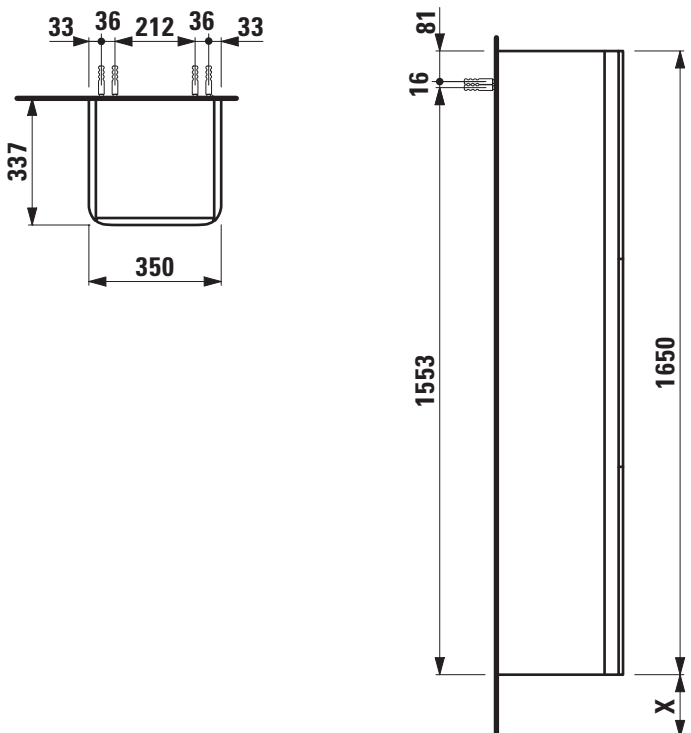


TECHNICAL DATA

Order no.	42523.1 / door hinge left 42523.2 / door hinge right
Dimensions (WxHxD)	350 x 1650 x 337 mm
Specification	Korpus/Front – Weiss matt, Weiss Hochglanz: MDF Super Panel mit PVC-Folie – Esche Honig, Eiche dunkelgrau: MDF Super Panel mit PVC-Folie geprägt inside melamine white 1 push and pull door (soft-close mechanism) 1 fixed shelf 4 glass shelves (adjustable)
Weight	35,5 kg
Mounting acc. incl.	Installation set for furniture, order no. 49302.1

Mounting information	The walls installed on must meet the requirements of the furniture in terms of weight and the supplied fastening elements. If this cannot be guaranteed another method of installation needs to be chosen. For example with feet.
Colours	463 – White matt 475 – White glossy 264 – Honey ash 265 – Dark grey oak

TECHNICAL DRAWINGS / S 1 : 20



X = The exact height must be set during installation.

CASE FURNITURE

CASE FOR PALACE FURNITURE

Vanity unit

40150.1

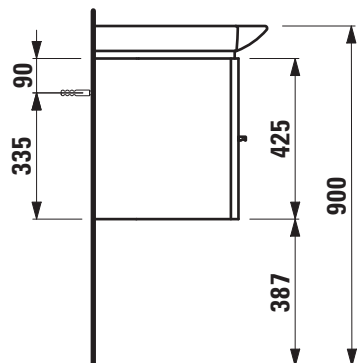
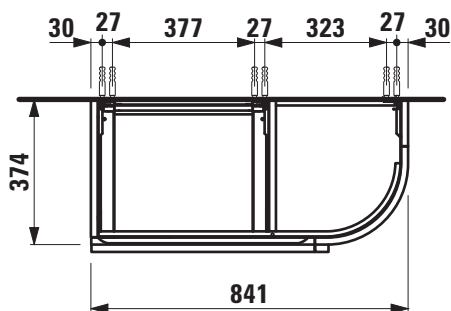
40150.2



TECHNICAL DATA

Order no.	40150.1 / 1 drawer, 1 door right 40150.2 / 2 drawers, 1 door right	Mounting acc. incl.	Installation set for furniture, order no. 49120.6, 49260.5
Dimensions (WxHxD)	841 x 425 x 374 mm	Mounting information	The walls installed on must meet the requirements of the furniture in terms of weight and the supplied fastening elements. If this cannot be guaranteed another method of installation needs to be chosen. For example with feet.
Matching for	Washbasin, order no. 81670.1	Colours	463 – White matt 475 – White glossy 519 – Chalked oak 548 – Anthracite oak 999 – 39 other lacquered colours on request
Specification	Body/Front – MDF board with PVC foil Integrated handle on the top of the drawer and aluminum handle bar in the middle		
Weight	40150.1 / 25,5 kg 40150.2 / 30,0 kg		
Accessories excl.	Feet (2 pieces), aluminium, order no. 48309.8 Towel rail, anodized aluminium, order no. 49095.1 Space saving siphon, order no. 89424.0		

TECHNICAL DRAWINGS / S 1 : 20



Vanity unit

40153.1

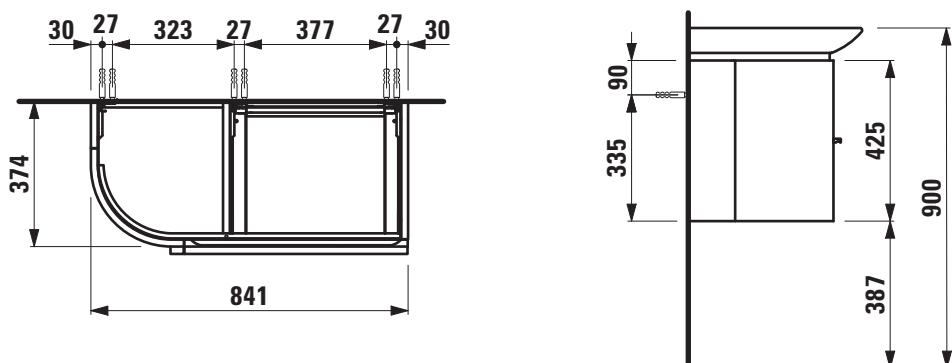
40153.2



TECHNICAL DATA

Order no.	40153.1 / 1 drawer, 1 door left 40153.2 / 2 drawers, 1 door left	Mounting acc. incl.	Installation set for furniture, order no. 49120.6, 49260.5
Dimensions (WxHxD)	841 x 425 x 374 mm	Mounting information	The walls installed on must meet the requirements of the furniture in terms of weight and the supplied fastening elements. If this cannot be guaranteed another method of installation needs to be chosen. For example with feet.
Matching for	Washbasin, order no. 81670.2	Colours	463 – White matt 475 – White glossy 519 – Chalked oak 548 – Anthracite oak 999 – 39 other lacquered colours on request
Specification	Body/Front – MDF board with PVC foil Integrated handle on the top of the drawer and aluminum handle bar in the middle		
Weight	40153.1 / 25,5 kg 40153.2 / 30,0 kg		
Accessories excl.	Feet (2 pieces), aluminium, order no. 48309.8 Towel rail, anodized aluminium, order no. 49095.1 Space saving siphon, order no. 89424.0		

TECHNICAL DRAWINGS / S 1 : 20



CASE FOR PALACE FURNITURE

Vanity unit

40160.1

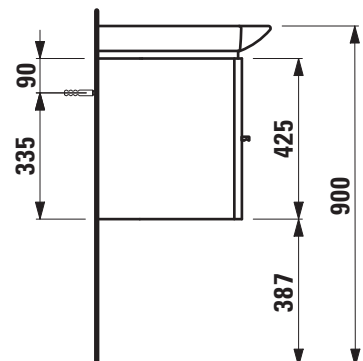
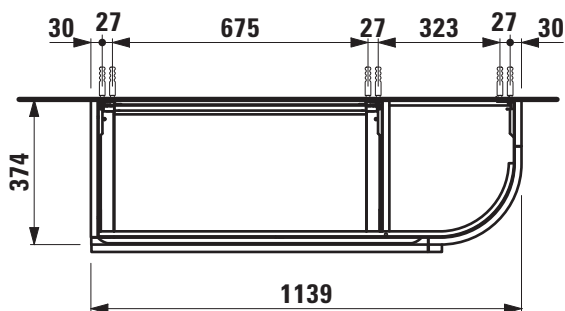
40160.2



TECHNICAL DATA

Order no.	40160.1 / 1 drawer, 1 door right 40160.2 / 2 drawers, 1 door right	Mounting acc. incl.	Installation set for furniture, order no. 49120.6, 49260.5
Dimensions (WxHxD)	1139 x 425 x 374 mm	Mounting information	The walls installed on must meet the requirements of the furniture in terms of weight and the supplied fastening elements. If this cannot be guaranteed another method of installation needs to be chosen. For example with feet.
Matching for	Washbasin, order no. 81670.5	Colours	463 – White matt 475 – White glossy 519 – Chalked oak 548 – Anthracite oak 999 – 39 other lacquered colours on request
Specification	Body/Front – MDF board with PVC foil Integrated handle on the top of the drawer and aluminum handle bar in the middle		
Weight	40160.1 / 31,5 kg 40160.2 / 36,0 kg		
Accessories excl.	Feet (2 pieces), aluminium, order no. 48309.8 Towel rail, anodized aluminium, order no. 49095.1 Space saving siphon, order no. 89424.0		

TECHNICAL DRAWINGS / S 1 : 20



Vanity unit

40162.1

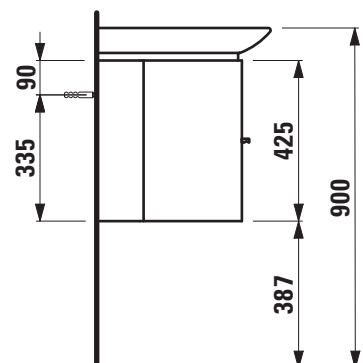
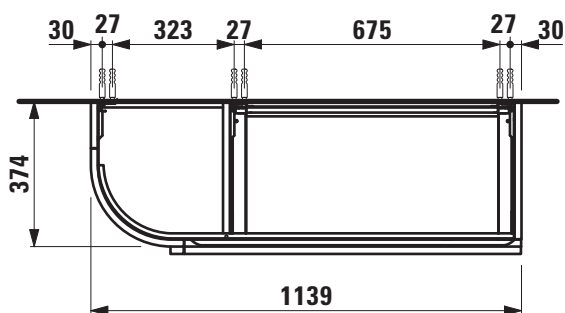
40162.2



TECHNICAL DATA

Order no.	40162.1 / 1 drawer, 1 door left 40162.2 / 2 drawers, 1 door left	Mounting acc. incl.	Installation set for furniture, order no. 49120.6, 49260.5
Dimensions (WxHxD)	1139 x 425 x 374 mm	Mounting information	The walls installed on must meet the requirements of the furniture in terms of weight and the supplied fastening elements. If this cannot be guaranteed another method of installation needs to be chosen. For example with feet.
Matching for	Washbasin, order no. 81670.6	Colours	463 – White matt 475 – White glossy 519 – Chalked oak 548 – Anthracite oak 999 – 39 other lacquered colours on request
Specification	Body/Front – MDF board with PVC foil Integrated handle on the top of the drawer and aluminum handle bar in the middle		
Weight	40162.1 / 31,5 kg 40162.2 / 36,0 kg		
Accessories excl.	Feet (2 pieces), aluminium, order no. 48309.8 Towel rail, anodized aluminium, order no. 49095.1 Space saving siphon, order no. 89424.0		

TECHNICAL DRAWINGS / S 1 : 20



CASE FOR PALACE FURNITURE

Vanity unit

40125.1

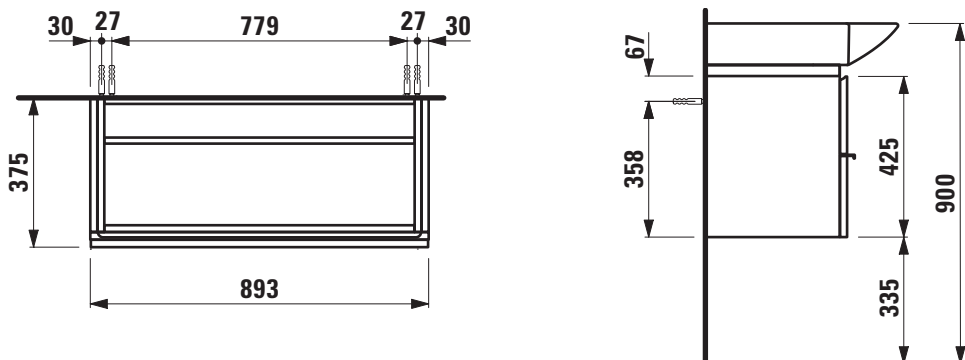
40125.2



TECHNICAL DATA

Order no.	40125.1 / 1 drawer 40125.2 / 2 drawers	Mounting acc. incl.	Installation set for furniture, order no. 49120.6, 49114.0
Dimensions (WxHxD)	893 x 425 x 375 mm	Mounting information	The walls installed on must meet the requirements of the furniture in terms of weight and the supplied fastening elements. If this cannot be guaranteed another method of installation needs to be chosen. For example with feet.
Matching for	Washbasin, order no. 81170.2, 81270.2	Colours	463 – White matt 475 – White glossy 519 – Chalked oak 548 – Anthracite oak 999 – 39 other lacquered colours on request
Specification	Body/Front – MDF board with PVC foil Integrated handle on the top of the drawer and aluminum handle bar in the middle		
Weight	40125.1 / 26,5 kg 40125.2 / 31,0 kg		
Accessories excl.	Feet (2 pieces), aluminium, order no. 48309.4 Towel rail, anodized aluminium, order no. 49095.1 Space saving siphon, order no. 89424.0		

TECHNICAL DRAWINGS / S 1 : 20



CASE FOR PALACE FURNITURE

Vanity unit

40130.1

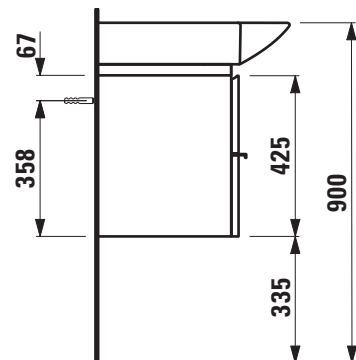
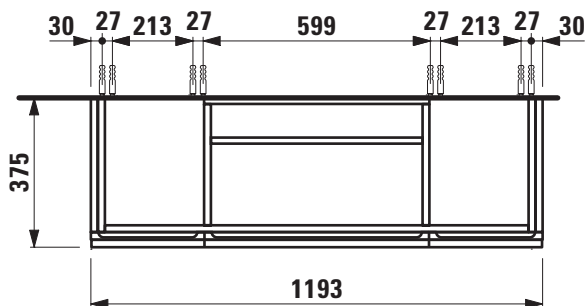
40130.2



TECHNICAL DATA

Order no.	40130.1 / 1 drawer, 2 doors 40130.2 / 2 drawers, 2 doors	Mounting acc. incl.	Installation set for furniture, order no. 49120.6, 49260.5
Dimensions (WxHxD)	1193 x 425 x 375 mm	Mounting information	The walls installed on must meet the requirements of the furniture in terms of weight and the supplied fastening elements. If this cannot be guaranteed another method of installation needs to be chosen. For example with feet.
Matching for	Washbasin, order no. 81170.4, 81270.4	Colours	463 – White matt 475 – White glossy 519 – Chalked oak 548 – Anthracite oak 999 – 39 other lacquered colours on request
Specification	Body/Front – MDF board with PVC foil Integrated handle on the top of the drawer and aluminum handle bar in the middle 2 glass shelves (adjustable)		
Weight	40130.1 / 36,5 kg 40130.2 / 42,0 kg		
Accessories excl.	Feet (2 pieces), aluminium, order no. 48309.4 Towel rail, anodized aluminium, order no. 49095.1 Space saving siphon, order no. 89424.0		

TECHNICAL DRAWINGS / S 1 : 20



Vanity unit

40135.1

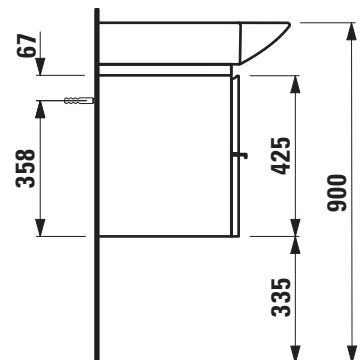
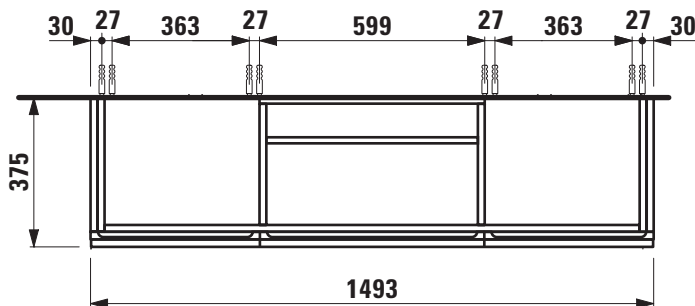
40135.2



TECHNICAL DATA

Order no.	40135.1 / 1 drawer, 2 doors 40135.2 / 2 drawers, 2 doors	Mounting acc. incl.	Installation set for furniture, order no. 49120.6, 49260.5
Dimensions (WxHxD)	1493 x 425 x 375 mm	Mounting information	The walls installed on must meet the requirements of the furniture in terms of weight and the supplied fastening elements. If this cannot be guaranteed another method of installation needs to be chosen. For example with feet.
Matching for	Washbasin, order no. 81170.6, 81270.6	Colours	463 – White matt 475 – White glossy 519 – Chalked oak 548 – Anthracite oak 999 – 39 other lacquered colours on request
Specification	Body/Front – MDF board with PVC foil Integrated handle on the top of the drawer and aluminum handle bar in the middle 2 glass shelves (adjustable)		
Weight	40135.1 / 42,0 kg 40135.2 / 46,0 kg		
Accessories excl.	Feet (2 pieces), aluminium, order no. 48309.4 Towel rail, anodized aluminium, order no. 49095.1 Space saving siphon, order no. 89424.0		

TECHNICAL DRAWINGS / S 1 : 20



CASE FOR PALACE FURNITURE

Vanity unit

40135.3

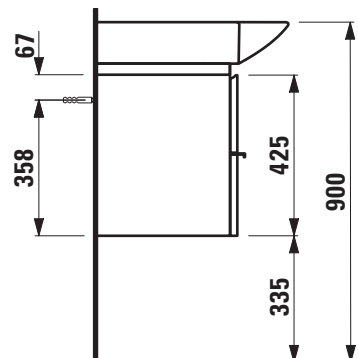
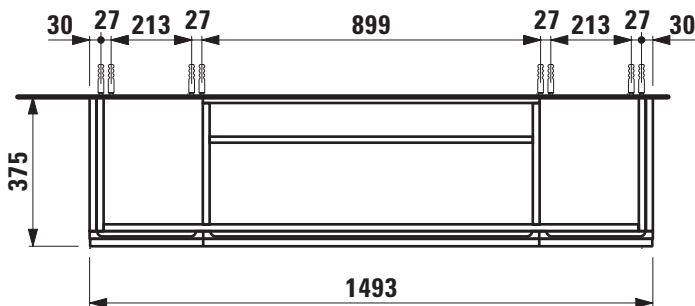
40135.4



TECHNICAL DATA

Order no.	40135.3 / 1 drawer, 2 doors 40135.4 / 2 drawers, 2 doors	Mounting acc. incl.	Installation set for furniture, order no. 49120.6, 49260.5
Dimensions (WxHxD)	1493 x 425 x 375 mm	Mounting information	The walls installed on must meet the requirements of the furniture in terms of weight and the supplied fastening elements. If this cannot be guaranteed another method of installation needs to be chosen. For example with feet.
Matching for	Double washbasin, order no. 81370.6, 81470.6	Colours	463 – White matt 475 – White glossy 519 – Chalked oak 548 – Anthracite oak 999 – 39 other lacquered colours on request
Specification	Body/Front – MDF board with PVC foil Integrated handle on the top of the drawer and aluminum handle bar in the middle 2 glass shelves (adjustable)		
Weight	40135.3 / 42,0 kg 40135.4 / 46,0 kg		
Accessories excl.	Feet (2 pieces), aluminium, order no. 48309.4 Towel rail, anodized aluminium, order no. 49095.1 Space saving siphon, order no. 89424.0		

TECHNICAL DRAWINGS / S 1 : 20



Vanity unit

40140.1

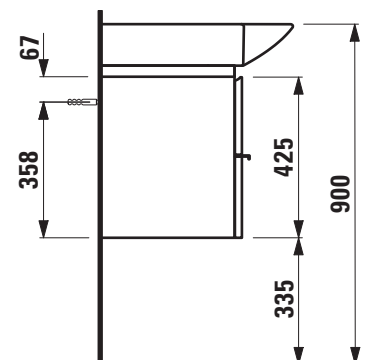
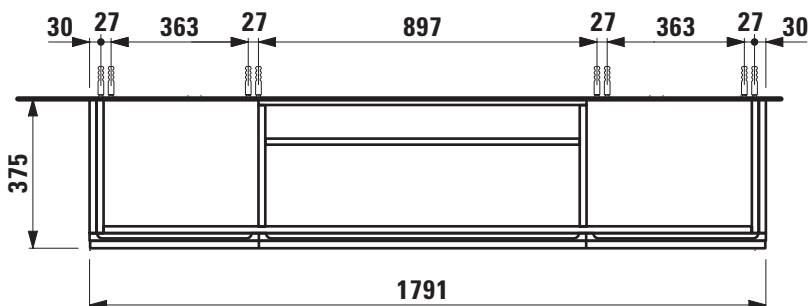
40140.2



TECHNICAL DATA

Order no.	40140.1 / 1 drawer, 2 doors 40140.2 / 2 drawers, 2 doors	Mounting acc. incl.	Installation set for furniture, order no. 49120.6, 49260.5
Dimensions (WxHxD)	1791 x 425 x 375 mm	Mounting information	The walls installed on must meet the requirements of the furniture in terms of weight and the supplied fastening elements. If this cannot be guaranteed another method of installation needs to be chosen. For example with feet.
Matching for	Washbasin, order no. 81170.8, 81270.8 Double washbasin, order no. 81370.8, 81470.8	Colours	463 – White matt 475 – White glossy 519 – Chalked oak 548 – Anthracite oak 999 – 39 other lacquered colours on request
Specification	Body/Front – MDF board with PVC foil Integrated handle on the top of the drawer and aluminum handle bar in the middle 2 glass shelves (adjustable)		
Weight	40140.1 / 47,5 kg 40140.2 / 52,0 kg		
Accessories excl.	Feet (2 pieces), aluminium, order no. 48309.4 Towel rail, anodized aluminium, order no. 49095.1 Space saving siphon, order no. 89424.0		

TECHNICAL DRAWINGS / S 1 : 20



CASE FOR LIVING SQUARE FURNITURE

Vanity unit

40114.1

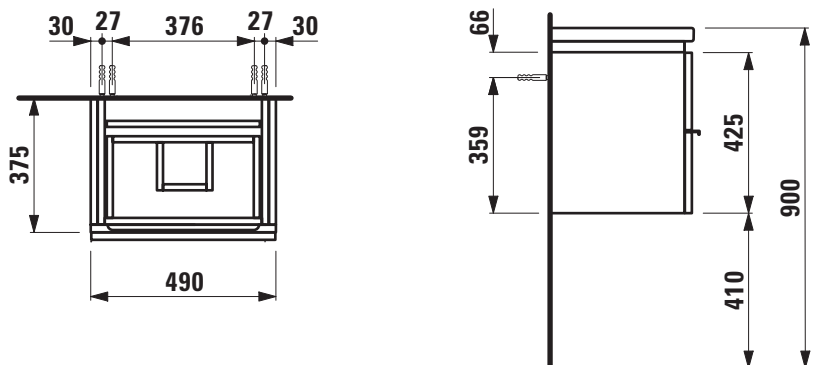
40114.2



TECHNICAL DATA

Order no.	40114.1 / 1 drawer 40114.2 / 2 drawers	Mounting acc. incl.	Installation set for furniture, order no. 49120.6, 49114.0
Dimensions (WxHxD)	490 x 425 x 375 mm	Mounting information	The walls installed on must meet the requirements of the furniture in terms of weight and the supplied fastening elements. If this cannot be guaranteed another method of installation needs to be chosen. For example with feet.
Matching for	Washbasin, order no. 81543.4	Colours	463 – White matt 475 – White glossy 519 – Chalked oak 548 – Anthracite oak 999 – 39 other lacquered colours on request
Specification	Body/Front – MDF board with PVC foil Integrated handle on the top of the drawer and aluminum handle bar in the middle		
Weight	40114.1 / 19,5 kg 40114.2 / 22,5 kg		
Accessories excl.	Feet (2 pieces), aluminium, order no. 48309.7 Towel rail, anodized aluminium, order no. 49095.1 Space saving siphon, order no. 89424.0		

TECHNICAL DRAWINGS / S 1 : 20



CASE FOR LIVING SQUARE FURNITURE

Vanity unit

40121.1

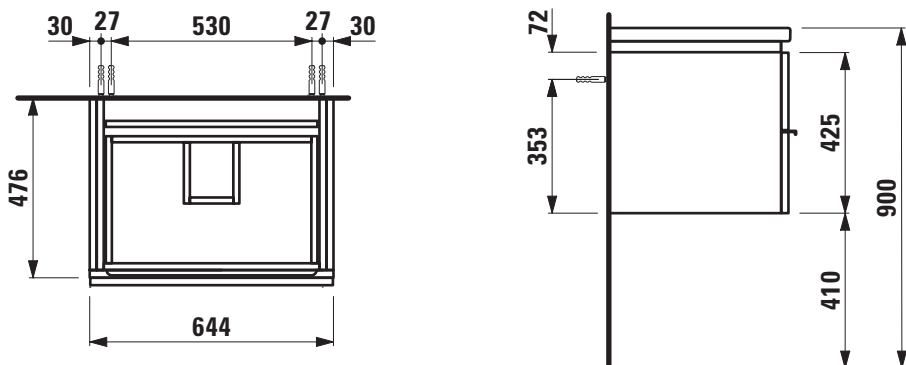
40121.2



TECHNICAL DATA

Order no.	40121.1 / 1 drawer 40121.2 / 2 drawers	Mounting acc. incl.	Installation set for furniture, order no. 49120.6, 49114.0
Dimensions (WxHxD)	644 x 425 x 476 mm	Mounting information	The walls installed on must meet the requirements of the furniture in terms of weight and the supplied fastening elements. If this cannot be guaranteed another method of installation needs to be chosen. For example with feet.
Matching for	Washbasin, order no. 81643.1	Colours	463 – White matt 475 – White glossy 519 – Chalked oak 548 – Anthracite oak 999 – 39 other lacquered colours on request
Specification	Body/Front – MDF board with PVC foil Integrated handle on the top of the drawer and aluminum handle bar in the middle		
Weight	40121.1 / 22,5 kg 40121.2 / 28,0 kg		
Accessories excl.	Feet (2 pieces), aluminium, order no. 48309.7 Towel rail, anodized aluminium, order no. 49095.2 Space saving siphon, order no. 89424.0		

TECHNICAL DRAWINGS / S 1 : 20



CASE FOR LIVING SQUARE FURNITURE

Vanity unit

40142.1

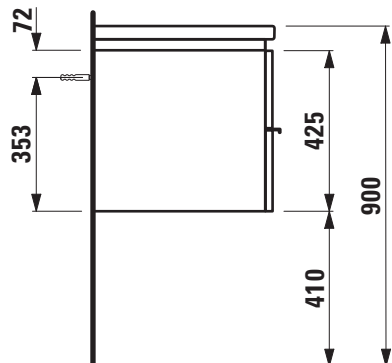
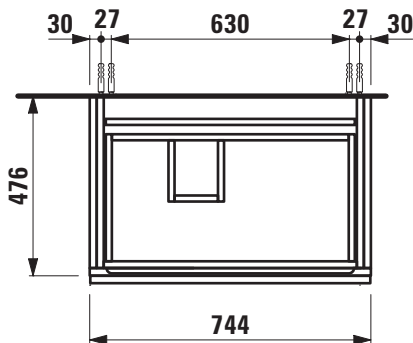
40142.2



TECHNICAL DATA

Order no.	40142.1 / 1 drawer 40142.2 / 2 drawers	Mounting acc. incl.	Installation set for furniture, order no. 49120.6, 49114.0
Dimensions (WxHxD)	744 x 425 x 476 mm	Mounting information	The walls installed on must meet the requirements of the furniture in terms of weight and the supplied fastening elements. If this cannot be guaranteed another method of installation needs to be chosen. For example with feet.
Matching for	Washbasin, order no. 81743.8	Colours	463 – White matt 475 – White glossy 519 – Chalked oak 548 – Anthracite oak 999 – 39 other lacquered colours on request
Specification	Body/Front – MDF board with PVC foil Integrated handle on the top of the drawer and aluminum handle bar in the middle		
Weight	40142.1 / 24,5 kg 40142.2 / 30,0 kg		
Accessories excl.	Feet (2 pieces), aluminium, order no. 48309.7 Towel rail, anodized aluminium, order no. 49095.2 Space saving siphon, order no. 89424.0		

TECHNICAL DRAWINGS / S 1 : 20



CASE FOR LIVING SQUARE FURNITURE

Vanity unit

40144.1

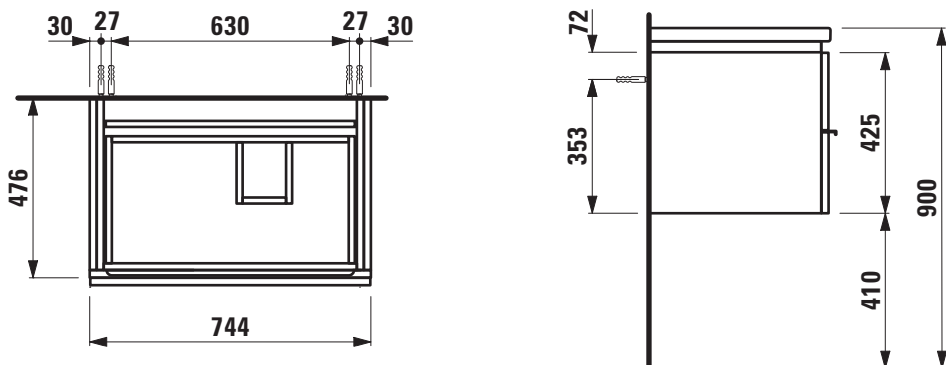
40144.2



TECHNICAL DATA

Order no.	40144.1 / 1 drawer 40144.2 / 2 drawers	Mounting acc. incl.	Installation set for furniture, order no. 49120.6, 49114.0
Dimensions (WxHxD)	744 x 425 x 476 mm	Mounting information	The walls installed on must meet the requirements of the furniture in terms of weight and the supplied fastening elements. If this cannot be guaranteed another method of installation needs to be chosen. For example with feet.
Matching for	Washbasin, order no. 81743.9	Colours	463 – White matt 475 – White glossy 519 – Chalked oak 548 – Anthracite oak 999 – 39 other lacquered colours on request
Specification	Body/Front – MDF board with PVC foil Integrated handle on the top of the drawer and aluminum handle bar in the middle		
Weight	40144.1 / 24,5 kg 40144.2 / 30,0 kg		
Accessories excl.	Feet (2 pieces), aluminium, order no. 48309.7 Towel rail, anodized aluminium, order no. 49095.2 Space saving siphon, order no. 89424.0		

TECHNICAL DRAWINGS / S 1 : 20



CASE FOR LIVING SQUARE FURNITURE

Vanity unit

40126.1

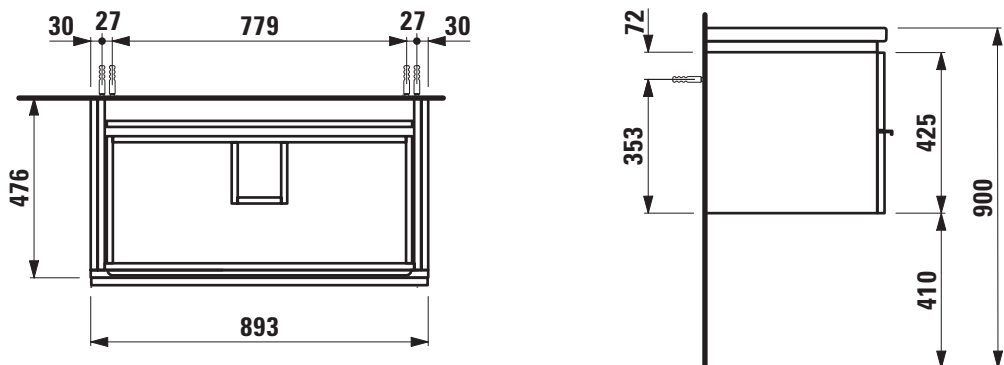
40126.2



TECHNICAL DATA

Order no.	40126.1 / 1 drawer 40126.2 / 2 drawers	Mounting acc. incl.	Installation set for furniture, order no. 49120.6, 49114.0
Dimensions (WxHxD)	893 x 425 x 476 mm	Mounting information	The walls installed on must meet the requirements of the furniture in terms of weight and the supplied fastening elements. If this cannot be guaranteed another method of installation needs to be chosen. For example with feet.
Matching for	Washbasin, order no. 81643.3	Colours	463 – White matt 475 – White glossy 519 – Chalked oak 548 – Anthracite oak 999 – 39 other lacquered colours on request
Specification	Body/Front – MDF board with PVC foil Integrated handle on the top of the drawer and aluminum handle bar in the middle		
Weight	40126.1 / 28,0 kg 40126.2 / 33,5 kg		
Accessories excl.	Feet (2 pieces), aluminium, order no. 48309.7 Towel rail, anodized aluminium, order no. 49095.2 Space saving siphon, order no. 89424.0		

TECHNICAL DRAWINGS / S 1 : 20



CASE FOR LIVING SQUARE FURNITURE

Vanity unit

40131.1

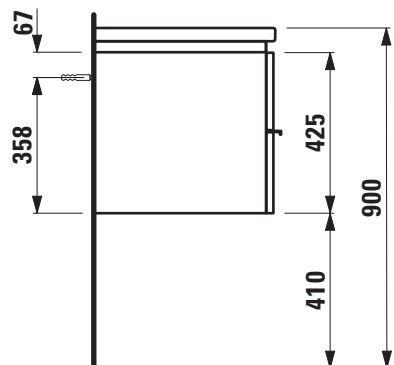
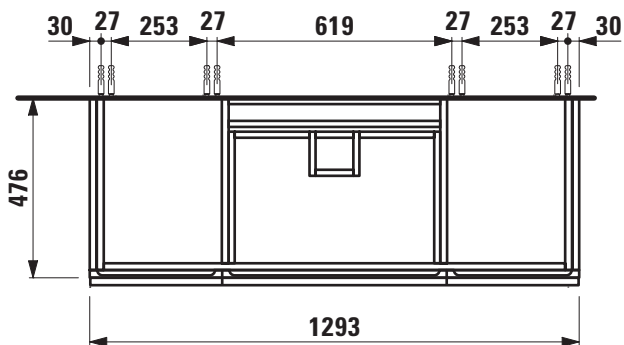
40131.2



TECHNICAL DATA

Order no.	40131.1 / 1 drawer, 2 doors 40131.2 / 2 drawers, 2 doors	Mounting acc. incl.	Installation set for furniture, order no. 49120.6, 49260.5
Dimensions (WxHxD)	1293 x 425 x 476 mm	Mounting information	The walls installed on must meet the requirements of the furniture in terms of weight and the supplied fastening elements. If this cannot be guaranteed another method of installation needs to be chosen. For example with feet.
Matching for	Washbasin, order no. 81643.5, 81643.6	Colours	463 – White matt 475 – White glossy 519 – Chalked oak 548 – Anthracite oak 999 – 39 other lacquered colours on request
Specification	Body/Front – MDF board with PVC foil Integrated handle on the top of the drawer and aluminum handle bar in the middle 2 glass shelves (adjustable)		
Weight	40131.1 / 45,0 kg 40131.2 / 50,0 kg		
Accessories excl.	Feet (2 pieces), aluminium, order no. 48309.7 Towel rail, anodized aluminium, order no.49095.2 Space saving siphon, order no. 89424.0		

TECHNICAL DRAWINGS / S 1 : 20



CASE FOR LIVING SQUARE FURNITURE

Vanity unit

40136.1

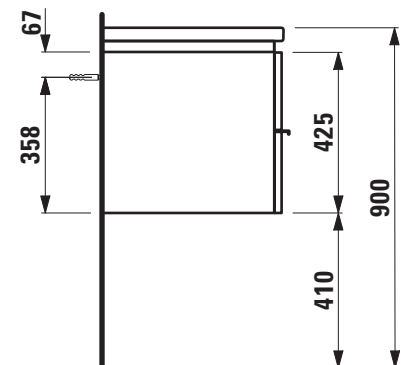
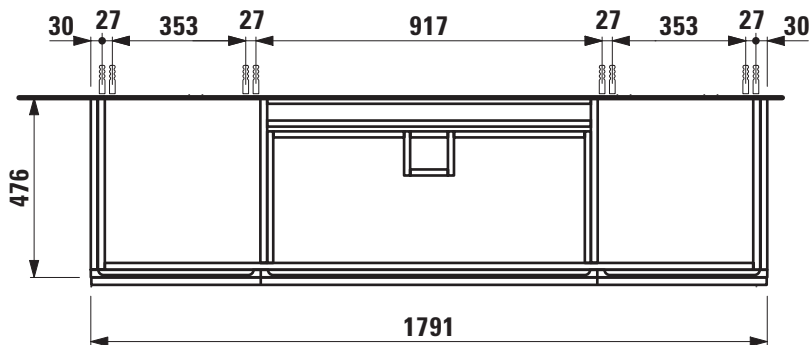
40136.2



TECHNICAL DATA

Order no.	40136.1 / 1 drawer, 2 doors 40136.2 / 2 drawers, 2 doors	Mounting acc. incl.	Installation set for furniture, order no. 49120.6, 49260.5
Dimensions (WxHxD)	1791 x 425 x 476 mm	Mounting information	The walls installed on must meet the requirements of the furniture in terms of weight and the supplied fastening elements. If this cannot be guaranteed another method of installation needs to be chosen. For example with feet.
Matching for	Washbasin, order no. 81643.8	Colours	463 – White matt 475 – White glossy 519 – Chalked oak 548 – Anthracite oak 999 – 39 other lacquered colours on request
Specification	Body/Front – MDF board with PVC foil Integrated handle on the top of the drawer and aluminum handle bar in the middle 2 glass shelves (adjustable)		
Weight	40136.1 / 55,0 kg 40136.2 / 60,0 kg		
Accessories excl.	Feet (2 pieces), aluminium, order no. 48309.7 Towel rail, anodized aluminium, order no. 49095.2 Space saving siphon, order no. 89424.0		

TECHNICAL DRAWINGS / S 1 : 20



Vanity unit

40111.1

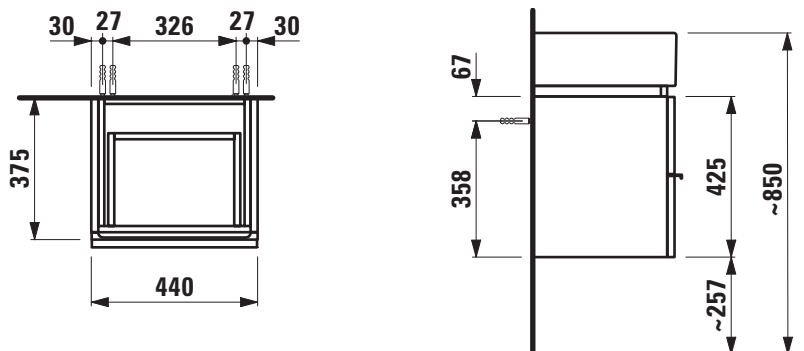
40111.2



TECHNICAL DATA

Order no.	40111.1 / 1 drawer 40111.2 / 2 drawers	Mounting acc. incl.	Installation set for furniture, order no. 49120.6, 49114.0
Dimensions (WxHxD)	440 x 425 x 375 mm	Mounting information	The walls installed on must meet the requirements of the furniture in terms of weight and the supplied fastening elements. If this cannot be guaranteed another method of installation needs to be chosen. For example with feet.
Matching for	Washbasin, order no. 81543.2	Colours	463 – White matt 475 – White glossy 519 – Chalked oak 548 – Anthracite oak 999 – 39 other lacquered colours on request
Specification	Body/Front – MDF board with PVC foil Integrated handle on the top of the drawer and aluminum handle bar in the middle		
Weight	40111.1 / 16,0 kg 40111.2 / 18,0 kg		
Accessories excl.	Feet (2 pieces), aluminium, order no. 48309.9 Towel rail, anodized aluminium, order no. 49095.0 Space saving siphon, order no. 89424.0		

TECHNICAL DRAWINGS / S 1 : 20



Vanity unit

40113.1

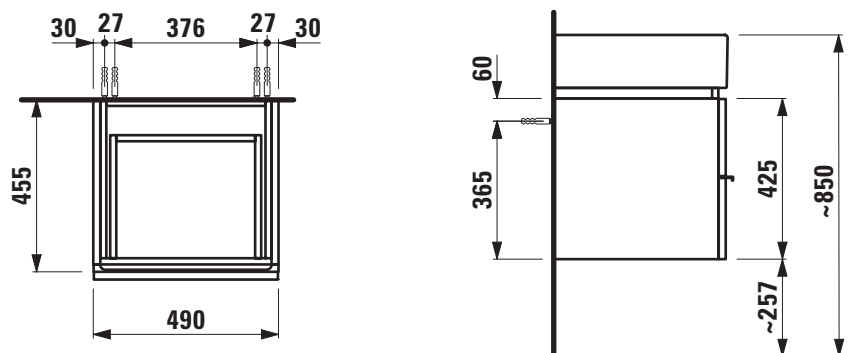
40113.2



TECHNICAL DATA

Order no.	40113.1 / 1 drawer 40113.2 / 2 drawers	Mounting acc. incl.	Installation set for furniture, order no. 49120.6, 49114.0
Dimensions (WxHxD)	490 x 425 x 455 mm	Mounting information	The walls installed on must meet the requirements of the furniture in terms of weight and the supplied fastening elements. If this cannot be guaranteed another method of installation needs to be chosen. For example with feet.
Matching for	Washbasin, order no. 81743.1	Colours	463 – White matt 475 – White glossy 519 – Chalked oak 548 – Anthracite oak 999 – 39 other lacquered colours on request
Specification	Body/Front – MDF board with PVC foil Integrated handle on the top of the drawer and aluminum handle bar in the middle		
Weight	40113.1 / 19,0 kg 40113.2 / 22,5 kg		
Accessories excl.	Feet (2 pieces), aluminium, order no. 48309.9 Towel rail, anodized aluminium, order no. 49095.2 Space saving siphon, order no. 89424.0		

TECHNICAL DRAWINGS / S 1 : 20



Vanity unit

40118.1

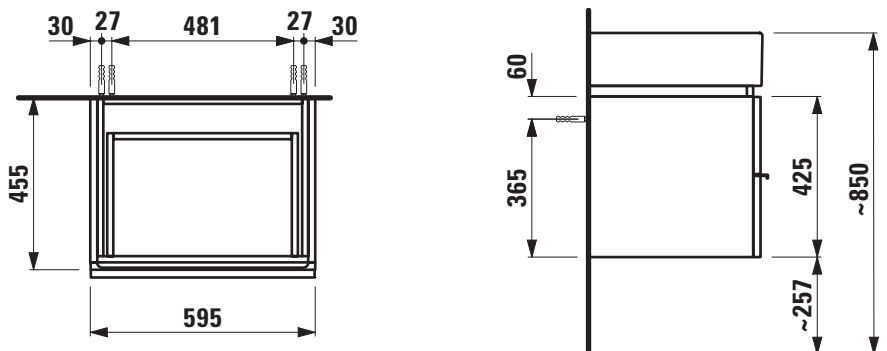
40118.2



TECHNICAL DATA

Order no.	40118.1 / 1 drawer 40118.2 / 2 drawers	Mounting acc. incl.	Installation set for furniture, order no. 49120.6, 49114.0
Dimensions (WxHxD)	595 x 425 x 455 mm	Mounting information	The walls installed on must meet the requirements of the furniture in terms of weight and the supplied fastening elements. If this cannot be guaranteed another method of installation needs to be chosen. For example with feet.
Matching for	Washbasin, order no. 81743.3	Colours	463 – White matt 475 – White glossy 519 – Chalked oak 548 – Anthracite oak 999 – 39 other lacquered colours on request
Specification	Body/Front – MDF board with PVC foil Integrated handle on the top of the drawer and aluminum handle bar in the middle		
Weight	40118.1 / 21,0 kg 40118.2 / 25,5 kg		
Accessories excl.	Feet (2 pieces), aluminium, order no. 48309.9 Towel rail, anodized aluminium, order no. 49095.2 Space saving siphon, order no. 89424.0		

TECHNICAL DRAWINGS / S 1 : 20

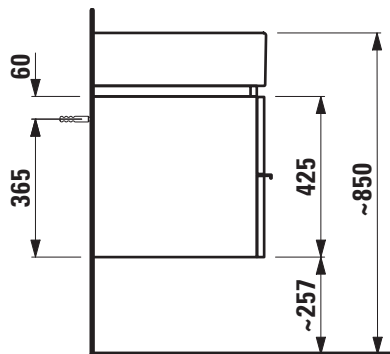
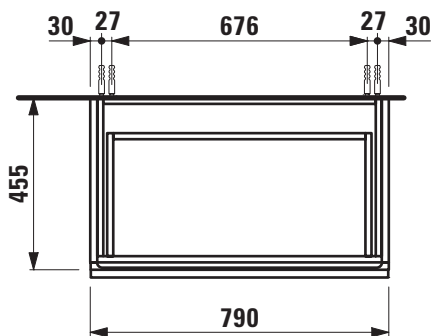




TECHNICAL DATA

Order no.	40124.1 / 1 drawer 40124.2 / 2 drawers	Mounting acc. incl.	Installation set for furniture, order no. 49120.6, 49114.0
Dimensions (WxHxD)	790 x 425 x 455 mm	Mounting information	The walls installed on must meet the requirements of the furniture in terms of weight and the supplied fastening elements. If this cannot be guaranteed another method of installation needs to be chosen. For example with feet.
Matching for	Washbasin, order no. 81743.6	Colours	463 – White matt 475 – White glossy 519 – Chalked oak 548 – Anthracite oak 999 – 39 other lacquered colours on request
Specification	Body/Front – MDF board with PVC foil Integrated handle on the top of the drawer and aluminum handle bar in the middle		
Weight	40124.1 / 25,0 kg 40124.2 / 30,0 kg		
Accessories excl.	Feet (2 pieces), aluminium, order no. 48309.9 Towel rail, anodized aluminium, order no. 49095.2 Space saving siphon, order no. 89424.0		

TECHNICAL DRAWINGS / S 1 : 20

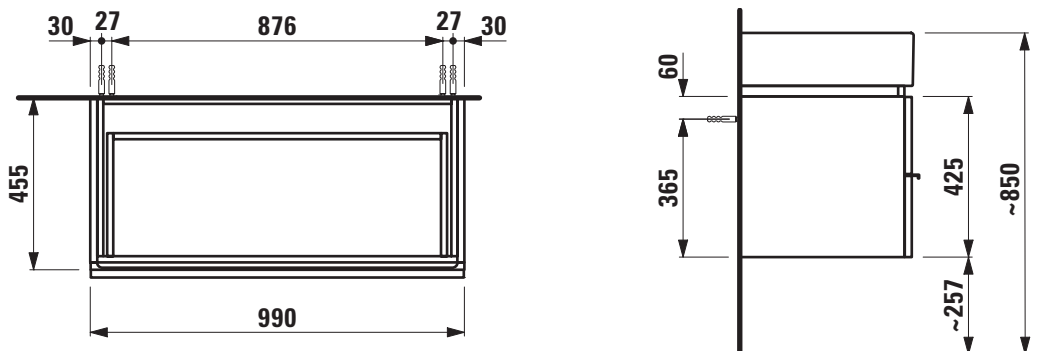




TECHNICAL DATA

Order no.	40128.1 / 1 drawer 40128.2 / 2 drawers	Mounting acc. incl.	Installation set for furniture, order no. 49120.6, 49114.0
Dimensions (WxHxD)	990 x 425 x 455 mm	Mounting information	The walls installed on must meet the requirements of the furniture in terms of weight and the supplied fastening elements. If this cannot be guaranteed another method of installation needs to be chosen. For example with feet.
Matching for	Washbasin, order no. 81843.1, 81843.2, 81843.7	Colours	463 – White matt 475 – White glossy 519 – Chalked oak 548 – Anthracite oak 999 – 39 other lacquered colours on request
Specification	Body/Front – MDF board with PVC foil Integrated handle on the top of the drawer and aluminum handle bar in the middle		
Weight	40128.1 / 29,0 kg 40128.2 / 35,5 kg		
Accessories excl.	Feet (2 pieces), aluminium, order no. 48309.9 Towel rail, anodized aluminium, order no. 49095.2 Space saving siphon, order no. 89424.0		

TECHNICAL DRAWINGS / S 1 : 20



CASE FURNITURE

Medium cabinet

40201.1

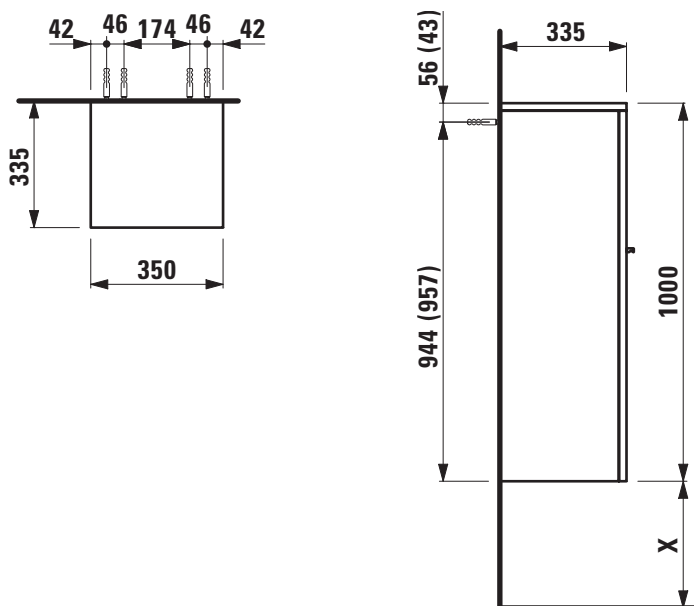
40201.2



TECHNICAL DATA

Order no.	40201.1 / door hinge left 40201.2 / door hinge right	Mounting acc. incl.	Installation set, order no. 49664.0, 49401.2
Dimensions (WxHxD)	350 x 1000 x 335 mm	Mounting information	The walls installed on must meet the requirements of the furniture in terms of weight and the supplied fastening elements. If this cannot be guaranteed another method of installation needs to be chosen. For example with feet.
Specification	Body/Front – MDF board with PVC foil Aluminum handle bar on the front 1 door 2 glass shelves	Colours	463 – White matt 475 – White glossy 519 – Chalked oak 548 – Anthracite oak 999 – 39 other lacquered colours on request
Weight	25,0 kg		
Accessories excl.	Feet (2 pieces), aluminium, height X / order no. for combination with vanity units Case for Palace: 335 mm / 48309.4, 370 mm / 48309.5, 385 mm / 48309.6, 387 mm / 48309.8 Case for Living Square: 410 mm / 48309.7 Case for Living City: 257 mm / 48309.9		

TECHNICAL DRAWINGS / S 1 : 20



X = The exact height must be set during installation.

CASE FURNITURE

Tall cabinet

40202.1

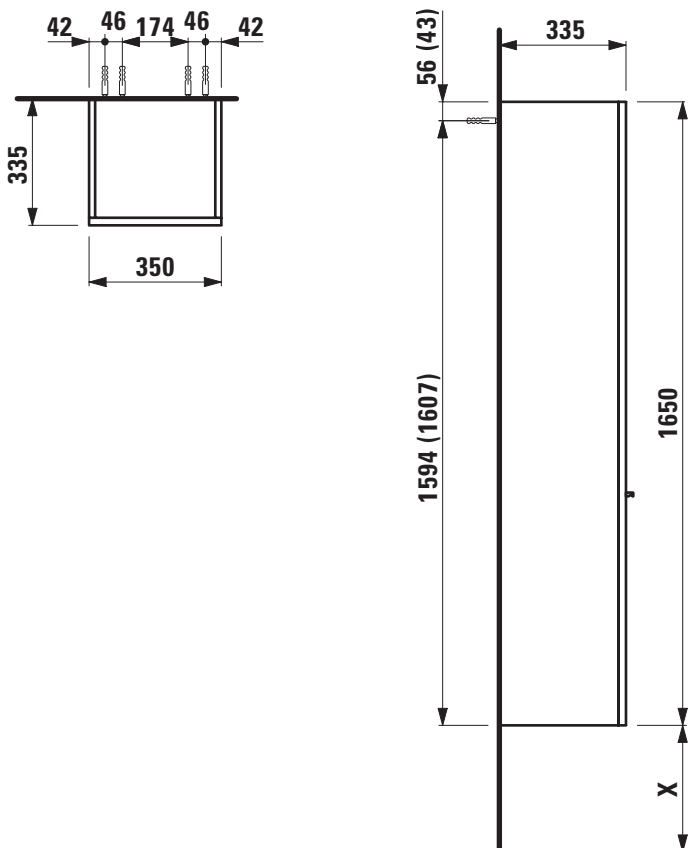
40202.2



TECHNICAL DATA

Order no.	40202.1 / door hinge left 40202.2 / door hinge right	Mounting acc. incl.	Installation set, order no. 49664.0, 49401.2
Dimensions (WxHxD)	350 x 1650 x 335 mm	Mounting information	The walls installed on must meet the requirements of the furniture in terms of weight and the supplied fastening elements. If this cannot be guaranteed another method of installation needs to be chosen. For example with feet.
Specification	Body/Front – MDF board with PVC foil Aluminum handle bar on the front 1 door, 4 glass shelves	Colours	463 – White matt 475 – White glossy 519 – Chalked oak 548 – Anthracite oak 999 – 39 other lacquered colours on request
Weight	39,0 kg		
Accessories excl.	Feet (2 pieces), aluminium, height X / order no. for combination with vanity units Case for Palace: 335 mm / 48309.4, 370 mm / 48309.5, 385 mm / 48309.6, 387 mm / 48309.8 Case for Living Square: 410 mm / 48309.7 Case for Living City: 257 mm / 48309.9		

TECHNICAL DRAWINGS / S 1 : 20



X = The exact height must be set during installation.

CASE WASHTOPS AND DRAWER ELEMENTS

Washtop without / with cut out

40511.0

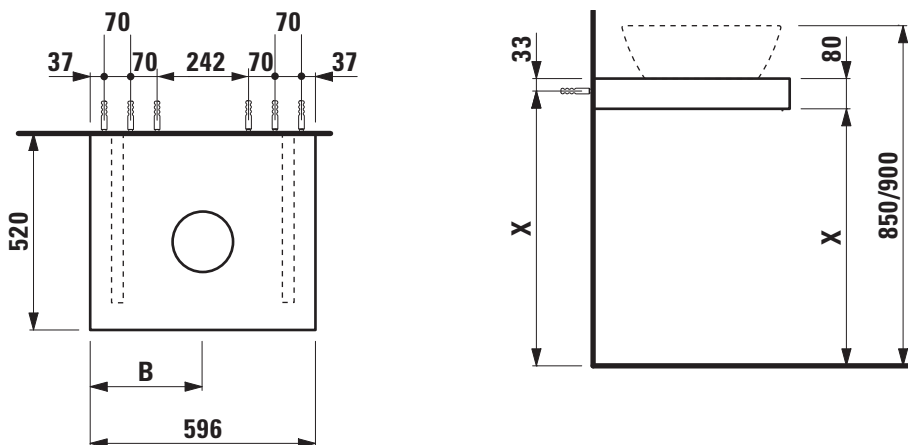
40511.1



TECHNICAL DATA

Order no.	40511.0 / without cut out 40511.1 / 1 cut out	Mounting information	The walls installed on must meet the requirements of the furniture in terms of weight and the supplied fastening elements. If this cannot be guaranteed another method of installation needs to be chosen.
Dimensions (WxHxD)	596 x 80 x 520 mm		
Matching for washbasin	see matrix for washtops 596 mm	Colours body	463 – White 519 – Chalked oak 548 – Anthracite oak
Specification	Body – MDF board with PVC foil without or with cut out with 2 mounting brackets max. load 150 kg		
Weight	10,5 kg		
Accessories excl.	For possible drawer elements Case see matrix. Towel rail, anodized aluminium, order no. 49095.2		
Mounting acc. incl.	Installation set, order no. 49012.4 and mounting brackets		

TECHNICAL DRAWINGS / S 1 : 20



B / mm	Ceramic
195	Val s1228.2 (semi-wet-area right)
200	Val s1228.1
210	Palomba s1680.2
215	Val s1628.8

B / mm	Ceramic
223	Kartell by Laufen s1033.4
372	Kartell by Laufen s1033.5
401	Val s1228.2 (semi-wet-area left)
298	all other from matrix for washtops Case

X = The exact height must be set during installation.

Washtop without / with cut out

40512.0

40512.1



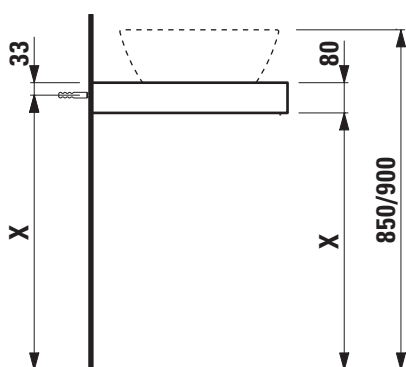
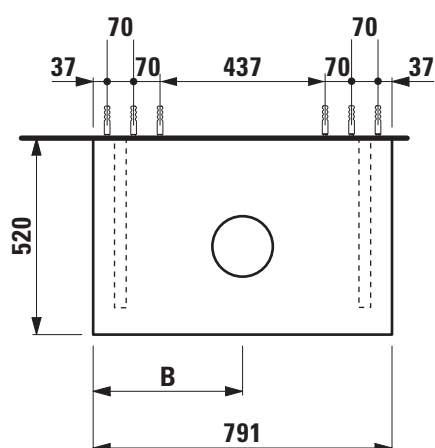
TECHNICAL DATA

Order no.	40512.0 / without cut out 40512.1 / 1 cut out
Dimensions (WxHxD)	791 x 80 x 520 mm
Matching for washbasin	see matrix for washtops 791 mm
Specification	Body – MDF board with PVC foil without or with cut out with 2 mounting brackets max. load 150 kg
Weight	12,5 kg
Accessories excl.	For possible drawer elements Case see matrix. Towel rail, anodized aluminium, order no. 49095.2
Mounting acc. incl.	Installation set, order no. 49012.4 and mounting brackets

Mounting information The walls installed on must meet the requirements of the furniture in terms of weight and the supplied fastening elements. If this cannot be guaranteed another method of installation needs to be chosen.

Colours body	463 – White 519 – Chalked oak 548 – Anthracite oak
---------------------	--

TECHNICAL DRAWINGS / S 1 : 20



B / mm	Ceramic
292	Val s1228.2 (semi-wet-area right)
303	Val s1628.8
307	Palomba s1680.2
321	Kartell by Laufen s1033.4

B / mm	Ceramic
345	Val s1228.1
346	Palomba s1680.3
470	Kartell by Laufen s1033.5
500	Val s1228.2 (semi-wet-area left)
395,5	all other from matrix for washtops Case

X = The exact height must be set during installation.

Washtop without / with cut out

40513.0

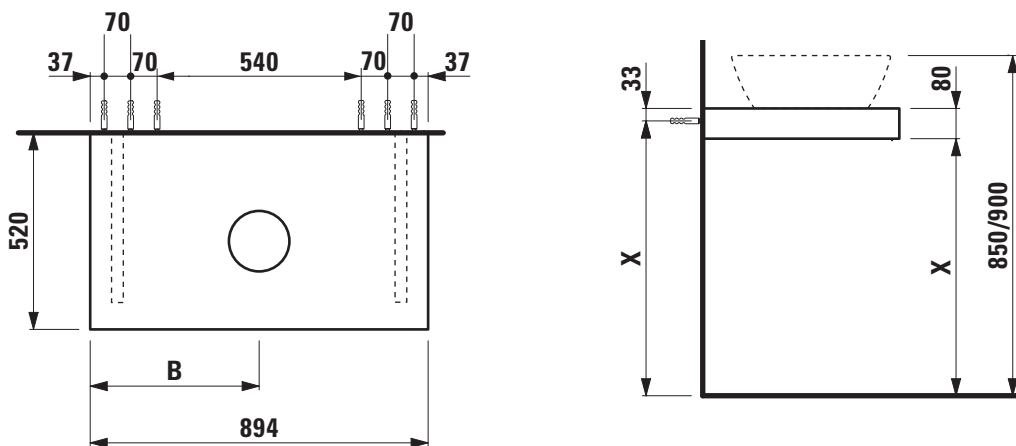
40513.1



TECHNICAL DATA

Order no.	40513.0 / without cut out 40513.1 / 1 cut out	Mounting information	The walls installed on must meet the requirements of the furniture in terms of weight and the supplied fastening elements. If this cannot be guaranteed another method of installation needs to be chosen.
Dimensions (WxHxD)	894 x 80 x 520 mm	Colours body	463 – White 519 – Chalked oak 548 – Anthracite oak
Matching for washbasin	see matrix for washtops 894 mm		
Specification	Body – MDF board with PVC foil without or with cut out with 2 mounting brackets max. load 150 kg		
Weight	13,5 kg		
Accessories excl.	For possible drawer elements Case see matrix. Towel rail, anodized aluminium, order no. 49095.2		
Mounting acc. incl.	Installation set, order no. 49012.4 and mounting brackets		

TECHNICAL DRAWINGS / S 1 : 20



B / mm	Ceramic
223	Palomba s1680.1
241	Kartell by Laufen s1233.2 (with tap bank left)
344	Val s1228.2 (semi-wet-area right)
354	Val s1628.8
359	Palomba s1680.2
372	Kartell by Laufen s1033.4

B / mm	Ceramic
373	Kartell by Laufen s1033.5
397	Val s1228.1
398	Palomba s1680.3
550	Val s1228.2 (semi-wet-area left)
652	Kartell by Laufen s1233.2 (with tap bank right)
447	all other from matrix for washtops Case

X = The exact height must be set during installation.

Washtop without / with cut out

40514.0

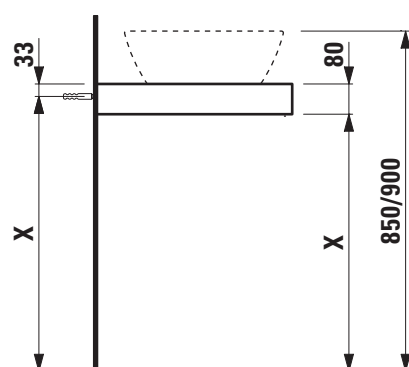
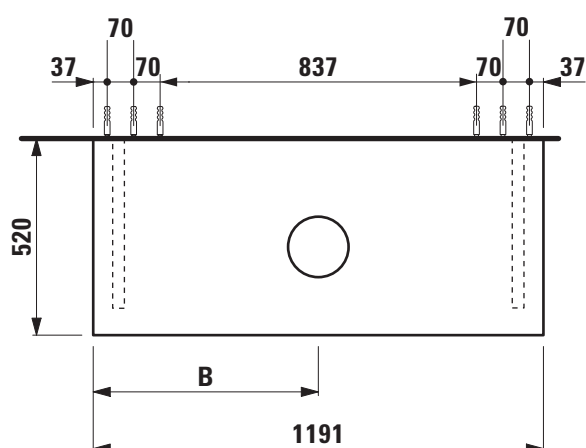
40514.1



TECHNICAL DATA

Order no.	40514.0 / without cut out 40514.1 / 1 cut out	Mounting information	The walls installed on must meet the requirements of the furniture in terms of weight and the supplied fastening elements. If this cannot be guaranteed another method of installation needs to be chosen.
Dimensions (WxHxD)	1191 x 80 x 520 mm	Colours body	463 – White 519 – Chalked oak 548 – Anthracite oak
Matching for washbasin	see matrix for washtops 1191 mm		
Specification	Body – MDF board with PVC foil without or with cut out with 2 mounting brackets max. load 150 kg		
Weight	16,0 kg		
Accessories excl.	For possible drawer elements Case see matrix. Towel rail, anodized aluminium, order no. 49095.2		
Mounting acc. incl.	Installation set, order no. 49012.4 and mounting brackets		

TECHNICAL DRAWINGS / S 1 : 20



B / mm	Ceramic
370	Palomba s1680.1
390	Kartell by Laufen s1233.2 (with tap bank left)
446	Kartell by Laufen s1033.8
492	Val s1228.2 (semi-wet-area right)
503	Val s1628.8
507	Palomba s1680.2
521	Kartell by Laufen s1033.4

B / mm	Ceramic
545	Val s1228.1
546	Palomba s1680.3
670	Kartell by Laufen s1033.5
700	Val s1228.2 (semi-wet-area left)
745	Kartell by Laufen s1033.9
804	Kartell by Laufen s1233.2 (with tap bank right)
595,5	all other from matrix for washtops Case

X = The exact height must be set during installation.

Washtop without / with cut out left

40514.0

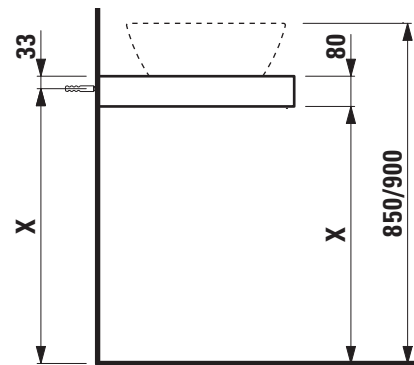
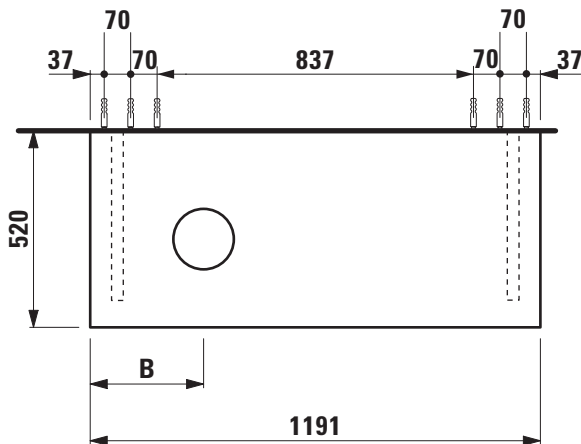
40514.2



TECHNICAL DATA

Order no.	40514.0 / without cut out 40514.2 / 1 cut out left	Mounting acc. incl.	Installation set, order no. 49012.4 and mounting brackets
Dimensions (WxHxD)	1191 x 80 x 520 mm	Mounting information	The walls installed on must meet the requirements of the furniture in terms of weight and the supplied fastening elements. If this cannot be guaranteed another method of installation needs to be chosen.
Matching for washbasin	see matrix for washtops 1191 mm	Colours body	463 – White 519 – Chalked oak 548 – Anthracite oak
Specification	Body – MDF board with PVC foil without or with cut out with 2 mounting brackets max. load 150 kg		
Weight	16,0 kg		
Accessories excl.	For possible drawer elements Case see matrix. Towel rail, anodized aluminium, order no. 49095.2		

TECHNICAL DRAWINGS / S 1 : 20



B / mm	Ceramic
194	Val s1228.2 (semi-wet-area right)
210	Palomba s1680.2
215	Val s1628.8
225	Kartell by Laufen s1033.4
242	Kartell by Laufen s1233.2 (with tap bank left)
395	Palomba s1680.3
	Living SaphirKeramik s1143.4
	Living Square s1543.5, s1643.2
	Ino s1730.2
	Val s1628.4
	Laufen Pro S s1696.2, s1696.3, s1696.4, s1896.3 Laufen Pro s1295.3, s1395.1, s1396.1, s1795.1, s1795.2, s1795.3

B / mm	Ceramic
248	Val s1228.1
250	Palomba s1680.1
300	Kartell by Laufen s1033.8
374	Kartell by Laufen s1033.5
400	Val s1228.2 (semi-wet-area left)
447	Living City s1743.7
	Laufen Pro S s1696.7 Val s1628.5
504	Val s1628.7
652	Kartell by Laufen s1233.2 (with tap bank right)
298	all other from matrix for washtops Case

X = The exact height must be set during installation.

Washtop without / with cut out right

40514.0

40514.3

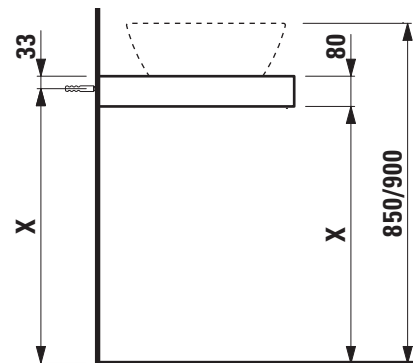
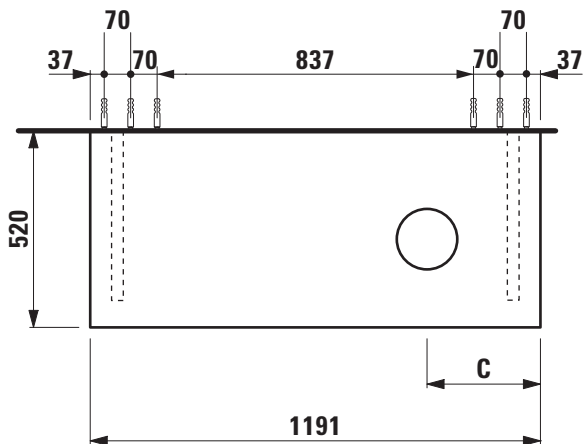


TECHNICAL DATA

Order no.	40514.0 / without cut out 40514.3 / 1 cut out right
Dimensions (WxHxD)	1191 x 80 x 520 mm
Matching for washbasin	see matrix for washtops 1191 mm
Specification	Body – MDF board with PVC foil without or with cut out with 2 mounting brackets max. load 150 kg
Weight	16,0 kg
Accessories excl.	For possible drawer elements Case see matrix. Towel rail, anodized aluminium, order no. 49095.2

Mounting acc. incl.	Installation set, order no. 49012.4 and mounting brackets
Mounting information	The walls installed on must meet the requirements of the furniture in terms of weight and the supplied fastening elements. If this cannot be guaranteed another method of installation needs to be chosen.
Colours body	463 – White 519 – Chalked oak 548 – Anthracite oak

TECHNICAL DRAWINGS / S 1 : 20



C / mm	Ceramic
194	Val s1228.2 (semi-wet-area right)
225	Kartell by Laufen s1033.5
242	Kartell by Laufen s1233.2 (with tap bank right)
300	Kartell by Laufen s1033.9
380	Val s1628.8
395	Living SaphirKeramik s1143.4
	Living Square s1543.5, s1643.2
	Ino s1730.2
	Val s1628.4
	Laufen Pro S s1696.2, s1696.3, s1696.4, s1896.3 Laufen Pro s1295.3, s1395.1, s1396.1, s1795.1, s1795.2, s1795.3

C / mm	Ceramic
374	Kartell by Laufen s1033.4
378	Val s1228.1
386	Palomba s1680.2
400	Val s1228.2 (semi-wet-area left)
415	Palomba s1680.3
447	Living City s1743.7
	Laufen Pro S s1696.7 Val s1628.5
504	Val s1628.7
651	Kartell by Laufen s1233.2 (with tap bank left)
298	all other from matrix for washtops Case

X = The exact height must be set during installation.

Washtop without / with 2 cut outs

40514.0

40514.4

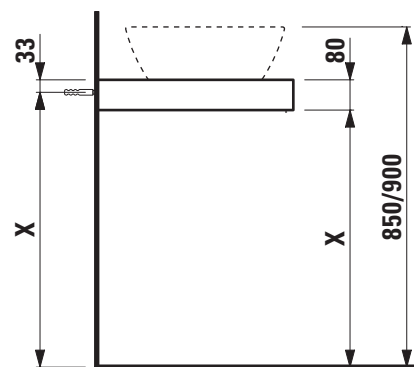
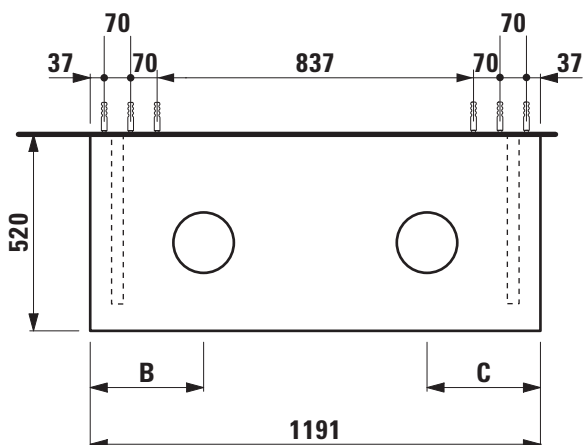


TECHNICAL DATA

Order no.	40514.0 / without cut out 40514.4 / 2 cut outs
Dimensions (WxHxD)	1191 x 80 x 520 mm
Matching for washbasin	see matrix for washtops 1191 mm
Specification	Body – MDF board with PVC foil without or with cut out with 2 mounting brackets max. load 150 kg
Weight	16,0 kg
Accessories excl.	For possible drawer elements Case see matrix. Towel rail, anodized aluminium, order no. 49095.2
Mounting acc. incl.	Installation set, order no. 49012.4 and mounting brackets

Mounting information	The walls installed on must meet the requirements of the furniture in terms of weight and the supplied fastening elements. If this cannot be guaranteed another method of installation needs to be chosen.
Colours body	463 – White 519 – Chalked oak 548 – Anthracite oak

TECHNICAL DRAWINGS / S 1 : 20



B / mm	C / mm	Ceramic
194	400	Val s1228.2 (semi-wet-area left)
210	386	Palomba s1680.2
215	380	Val s1628.8

B / mm	C / mm	Ceramic
248	378	Val s1228.1
400	194	Val s1228.2 (semi-wet-area right)
298	298	all other from matrix for washtops Case

X = The exact height must be set during installation.

Washtop without / with cut out

40515.0

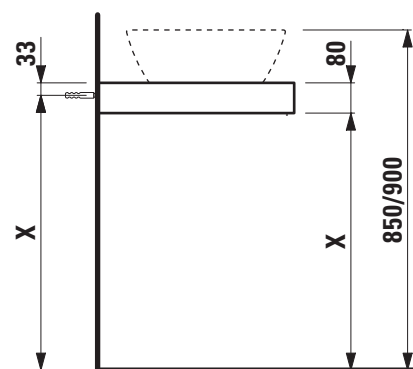
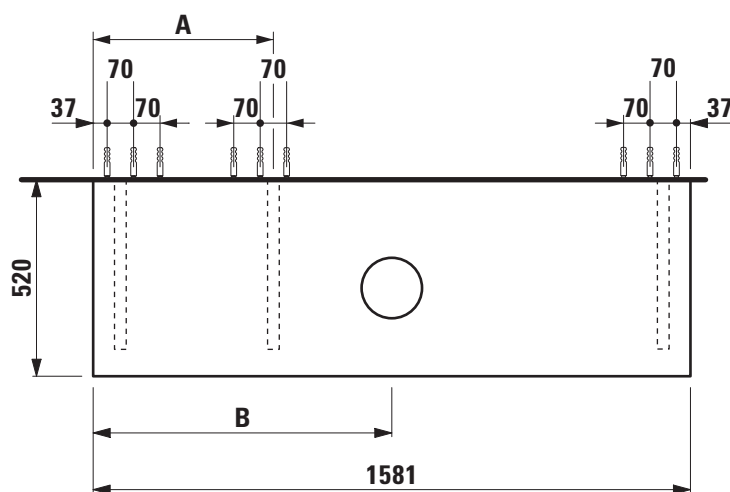
40515.1



TECHNICAL DATA

Order no.	40515.0 / without cut out 40515.1 / 1 cut out	Mounting acc. incl.	Installation set, order no. 49012.4 and mounting brackets
Dimensions (WxHxD)	1581 x 80 x 520 mm	Mounting information	The walls installed on must meet the requirements of the furniture in terms of weight and the supplied fastening elements. If this cannot be guaranteed another method of installation needs to be chosen.
Matching for washbasin	see matrix for washtops 1581 mm	Colours body	463 – White 519 – Chalked oak 548 – Anthracite oak
Specification	Body – MDF board with PVC foil without or with cut out with 3 mounting brackets max. load 150 kg		
Weight	20,5 kg		
Accessories excl.	For possible drawer elements Case see matrix. Towel rail, anodized aluminium, order no. 49095.2		

TECHNICAL DRAWINGS / S 1 : 20



A / mm	B / mm	Ceramic
477	491	Kartell by Laufen s1333.2
477	565	Palomba s1680.1
477	584	Kartell by Laufen s1233.2 (with tap bank left)
477	641	Kartell by Laufen s1033.8
477	687	Val s1228.2 (semi-wet-area right)
477	698	Val s1628.8
447	702	Palomba s1680.2
477	716	Kartell by Laufen s1033.4
477	740	Val s1228.1
477	741	Palomba s1680.3

A / mm	B / mm	Ceramic
347	865	Kartell by Laufen s1033.5
347	790,5	Living City s1743.7, s1843.8
		Living Square s1643.4
		Laufen Pro S s1696.4, s1696.5, s1696.6, s1696.7
		Val s1628.5, s1628.7
477	894	Val s1228.2 (semi-wet-area left)
347	940	Kartell by Laufen s1033.9
347	995	Kartell by Laufen s1233.2 (with tap bank right)
477	790,5	all other from matrix for washtops Case

X = The exact height must be set during installation.

Washtop without / with cut out left

40515.0

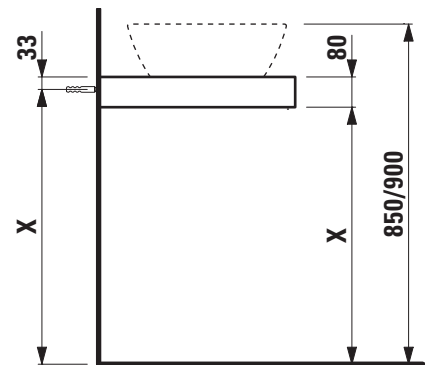
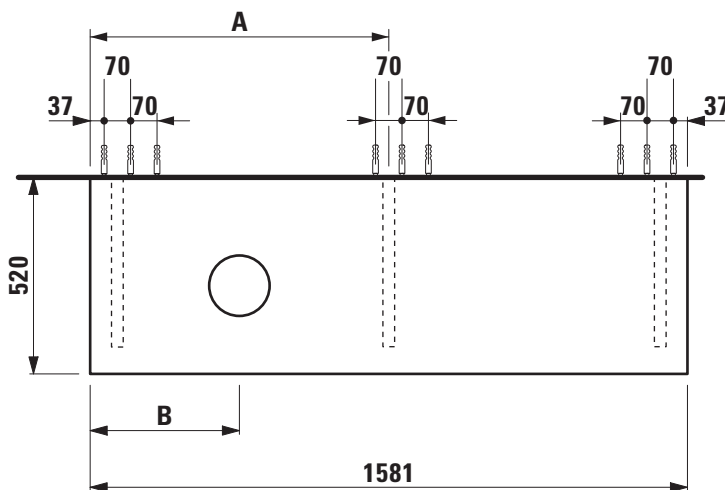
40515.2



TECHNICAL DATA

Order no.	40515.0 / without cut out 40515.2 / 1 cut out left	Mounting acc. incl.	Installation set, order no. 49012.4 and mounting brackets
Dimensions (WxHxD)	1581 x 80 x 520 mm	Mounting information	The walls installed on must meet the requirements of the furniture in terms of weight and the supplied fastening elements. If this cannot be guaranteed another method of installation needs to be chosen.
Matching for washbasin	see matrix for washtops 1581 mm	Colours body	463 – White 519 – Chalked oak 548 – Anthracite oak
Specification	Body – MDF board with PVC foil without or with cut out with 3 mounting brackets max. load 150 kg		
Weight	20,5 kg		
Accessories excl.	For possible drawer elements Case see matrix. Towel rail, anodized aluminium, order no. 49095.2		

TECHNICAL DRAWINGS / S 1 : 20



A / mm	B / mm	Ceramic
790,5	239	Kartell by Laufen s1233.2 (with tap bank left)
790,5	225	Kartell by Laufen s1033.4
790,5	250	Palomba s1680.1
790,5	290	Val s1228.2 (semi-wet-area right)
994	300	Kartell by Laufen s1033.8
790,5	303	Val s1628.8
790,5	307	Palomba s1680.2
790,5	345	Val s1228.1
790,5	346	Palomba s1680.3
790,5	374	Kartell by Laufen s1033.5

A / mm	B / mm	Ceramic
790,5	447	Living City s1743.7
994	535	Living Square s1643.4
994	395	Living Square s1643.2 Laufen Pro S s1696.2, s1696.3, s1696.4 Laufen Pro s1795.3
994	447	Laufen Pro S s1696.7 Val s1628.5
790,5	500	Val s1228.2 (semi-wet-area left)
994	505	Val s1628.7
790,5	651	Kartell by Laufen s1233.2 (with tap bank right)
790,5	395	all other from matrix for washtops Case

X = The exact height must be set during installation.

Washtop without / with cut out right

40515.0

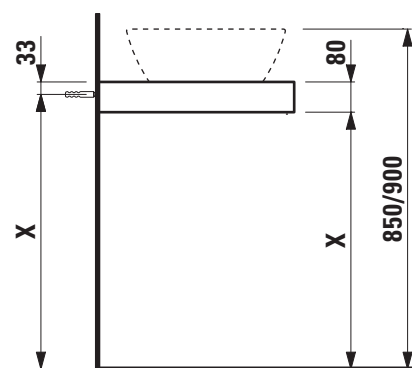
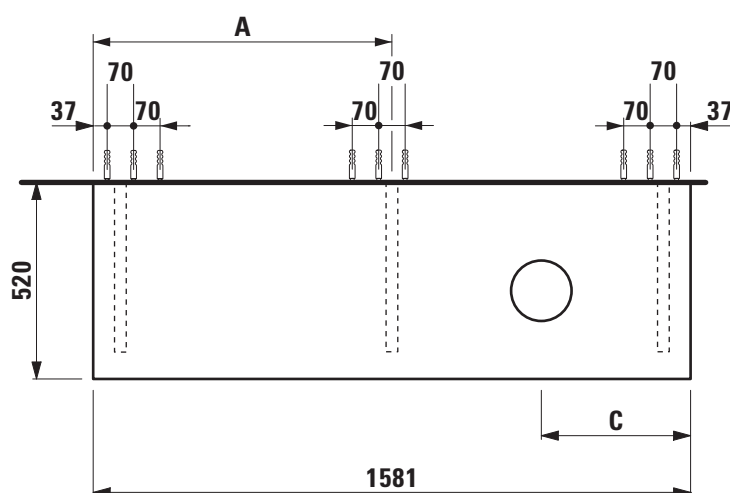
40515.3



TECHNICAL DATA

Order no.	40515.0 / without cut out 40515.3 / 1 cut out right	Mounting acc. incl.	Installation set, order no. 49012.4 and mounting brackets
Dimensions (WxHxD)	1581 x 80 x 520 mm	Mounting information	The walls installed on must meet the requirements of the furniture in terms of weight and the supplied fastening elements. If this cannot be guaranteed another method of installation needs to be chosen.
Matching for washbasin	see matrix for washtops 1581 mm	Colours body	463 – White 519 – Chalked oak 548 – Anthracite oak
Specification	Body – MDF board with PVC foil without or with cut out with 3 mounting brackets max. load 150 kg		
Weight	20,5 kg		
Accessories excl.	For possible drawer elements Case see matrix. Towel rail, anodized aluminium, order no. 49095.2		

TECHNICAL DRAWINGS / S 1 : 20



A / mm	C / mm	Ceramic
790,5	225	Kartell by Laufen s1033.5
790,5	239	Kartell by Laufen s1233.2 (with tap bank right)
790,5	290	Val s1228.2 (semi-wet-area left)
587	301	Kartell by Laufen s1033.9
790,5	374	Kartell by Laufen s1033.4
790,5	445	Palomba s1680.3 Val s1228.1
790,5	447	Living City s1743.7
790,5	484	Palomba s1680.2
790,5	488	Val s1628.8
587	535	Living Square s1643.4

A / mm	C / mm	Ceramic
587	395	Living Square s1643.2 Laufen Pro S s1696.2, s1696.3, s1696.4 Laufen Pro s1795.3
587	447	Laufen Pro S s1696.7 Val s1628.5
790,5	500	Val s1228.2 (semi-wet-area right)
587	505	Val s1628.7
790,5	652	Kartell by Laufen s1233.2 (with tap bank left)
790,5	395	all other from matrix for washtops Case

X = The exact height must be set during installation.

Washtop without / with 2 cut outs

40515.0

40515.4

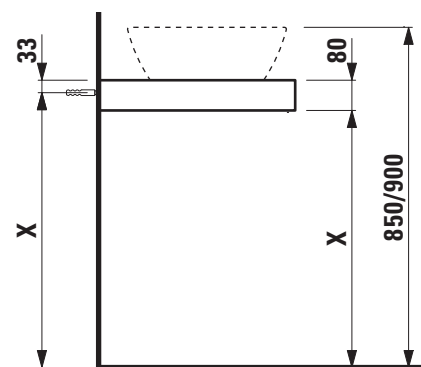
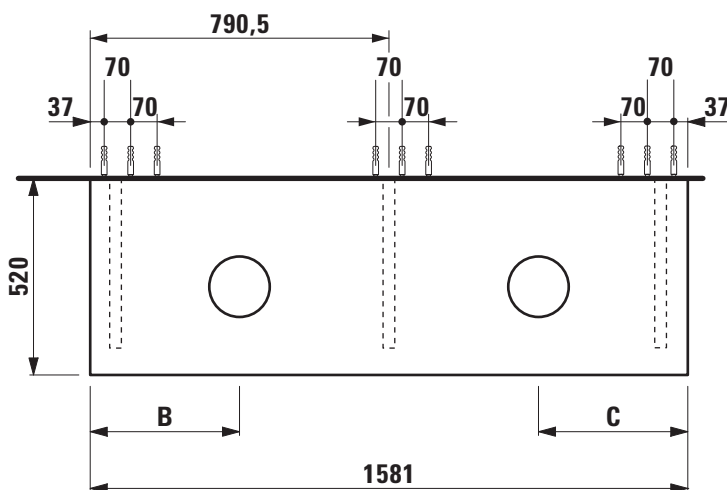


TECHNICAL DATA

Order no.	40515.0 / without cut out 40515.4 / 2 cut outs
Dimensions (WxHxD)	1581 x 80 x 520 mm
Matching for washbasin	see matrix for washtops 1581 mm
Specification	Body – MDF board with PVC foil without or with cut out with 3 mounting brackets max. load 150 kg
Weight	20,5 kg
Accessories excl.	For possible drawer elements Case see matrix. Towel rail, anodized aluminium, order no. 49095.2
Mounting acc. incl.	Installation set, order no. 49012.4 and mounting brackets

Mounting information	The walls installed on must meet the requirements of the furniture in terms of weight and the supplied fastening elements. If this cannot be guaranteed another method of installation needs to be chosen.
Colours body	463 – White 519 – Chalked oak 548 – Anthracite oak

TECHNICAL DRAWINGS / S 1 : 20



B / mm	C / mm	Ceramic
225	375	Kartell by Laufen s1033.4
290	500	Val s1228.2 (semi-wet-area right)
303	488	Val s1628.8
307	484	Palomba s1680.2

B / mm	C / mm	Ceramic
345	445	Val s1228.1
346	445	Palomba s1680.3
374	225	Kartell by Laufen s1033.5
500	290	Val s1228.2 (semi-wet-area left)
395	395	all other from matrix for washtops Case

X = The exact height must be set during installation.

Washtop without / with cut out

40516.0

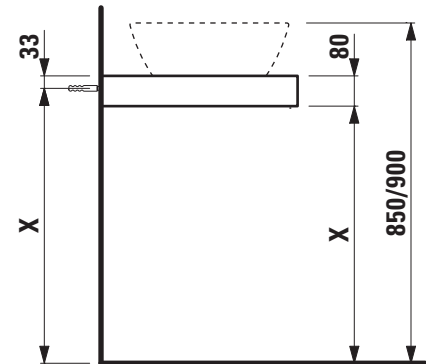
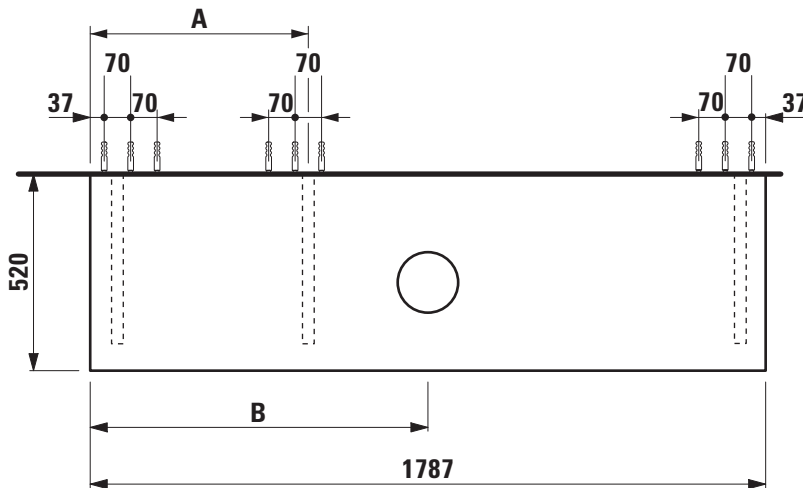
40516.1



TECHNICAL DATA

Order no.	40516.0 / without cut out 40516.1 / 1 cut out	Mounting acc. incl.	Installation set, order no. 49012.4 and mounting brackets
Dimensions (WxHxD)	1787 x 80 x 520 mm	Mounting information	The walls installed on must meet the requirements of the furniture in terms of weight and the supplied fastening elements. If this cannot be guaranteed another method of installation needs to be chosen.
Matching for washbasin	see matrix for washtops 1787 mm	Colours body	463 – White 519 – Chalked oak 548 – Anthracite oak
Specification	Body – MDF board with PVC foil without or with cut out with 3 mounting brackets max. load 150 kg		
Weight	22,5 kg		
Accessories excl.	For possible drawer elements Case see matrix. Towel rail, anodized aluminium, order no. 49095.2		

TECHNICAL DRAWINGS / S 1 : 20



A / mm	B / mm	Ceramic
447	594	Kartell by Laufen s1333.2
577	668	Palomba s1680.1
447	688	Kartell by Laufen s1233.2 (with tap bank left)
447	744	Kartell by Laufen s1033.8
577	790	Val s1228.2 (semi-wet-area right)
577	801	Val s1628.8
577	805	Palomba s1680.2
577	819	Kartell by Laufen s1033.4
577	844	Palomba s1680.3
577	845	Val s1228.1

A / mm	B / mm	Ceramic
577	968	Kartell by Laufen s1033.5
447	893,5	Living City s1743.7, s1843.8
		Living Square s1643.4
577	1000	Laufen Pro S s1696.4, s1696.5, s1696.6, s1696.7
		Val s1228.2 (semi-wet-area left)
447	1042	Kartell by Laufen s1033.9
447	1098	Kartell by Laufen s1233.2 (with tap bank right)
577	893,5	all other from matrix for washtops Case

X = The exact height must be set during installation.

Washtop without / with cut out left

40516.0

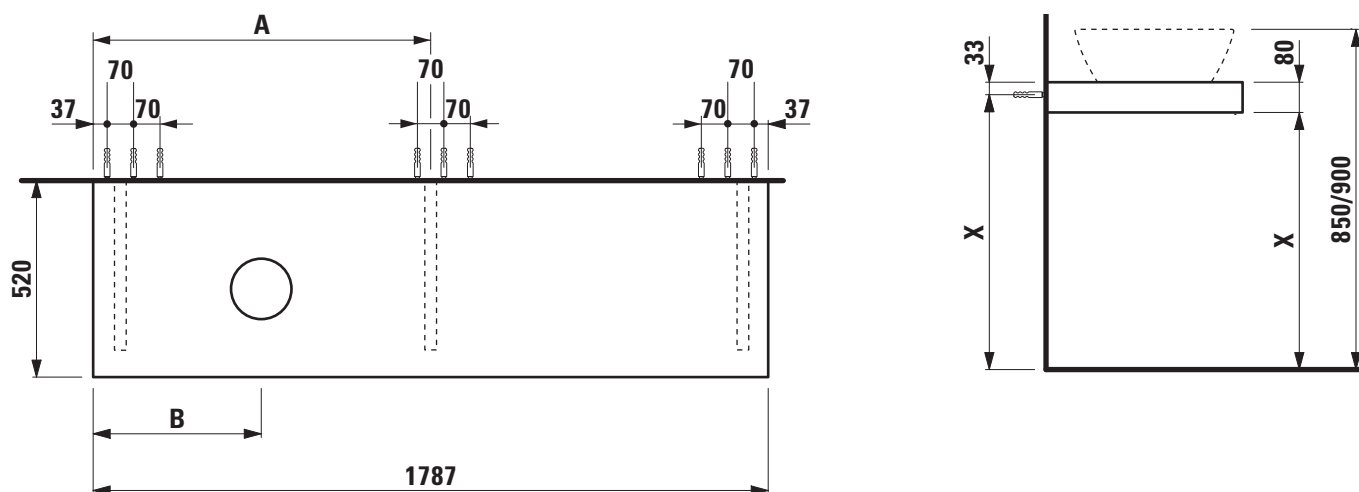
40516.2



TECHNICAL DATA

Order no.	40516.0 / without cut out 40516.2 / 1 cut out left	Mounting acc. incl.	Installation set, order no. 49012.4 and mounting brackets
Dimensions (WxHxD)	1787 x 80 x 520 mm	Mounting information	The walls installed on must meet the requirements of the furniture in terms of weight and the supplied fastening elements. If this cannot be guaranteed another method of installation needs to be chosen.
Matching for washbasin	see matrix for washtops 1787 mm	Colours body	463 – White 519 – Chalked oak 548 – Anthracite oak
Specification	Body – MDF board with PVC foil without or with cut out with 3 mounting brackets max. load 150 kg		
Weight	22,5 kg		
Accessories excl.	For possible drawer elements Case see matrix. Towel rail, anodized aluminium, order no. 49095.2		

TECHNICAL DRAWINGS / S 1 : 20



A / mm	B / mm	Ceramic
893,5	225	Kartell by Laufen s1033.4
893,5	241	Kartell by Laufen s1233.2 (with tap bank left)
893,5	250	Palomba s1680.1
1070	300	Kartell by Laufen s1033.8, s1333.2
893,5	345	Val s1228.2 (semi-wet-area right)
893,5	354	Val s1628.8
893,5	374	Kartell by Laufen s1033.5
893,5	358	Palomba s1680.2
893,5	397	Val s1228.1
893,5	398	Palomba s1680.3

A / mm	B / mm	Ceramic
1070	447	Living Square s1643.2 Laufen Pro S s1696.4, s1696.7
1070	599	Kartell by Laufen s1033.9
893,5	652	Kartell by Laufen s1233.2 (with tap bank right)
893,5	505	Val s1628.7
1070	546	Living Square s1643.4
893,5	550	Val s1228.2 (semi-wet-area left)
893,5	447	all other from matrix for washtops Case

X = The exact height must be set during installation.

Washtop without / with cut out right

40516.0

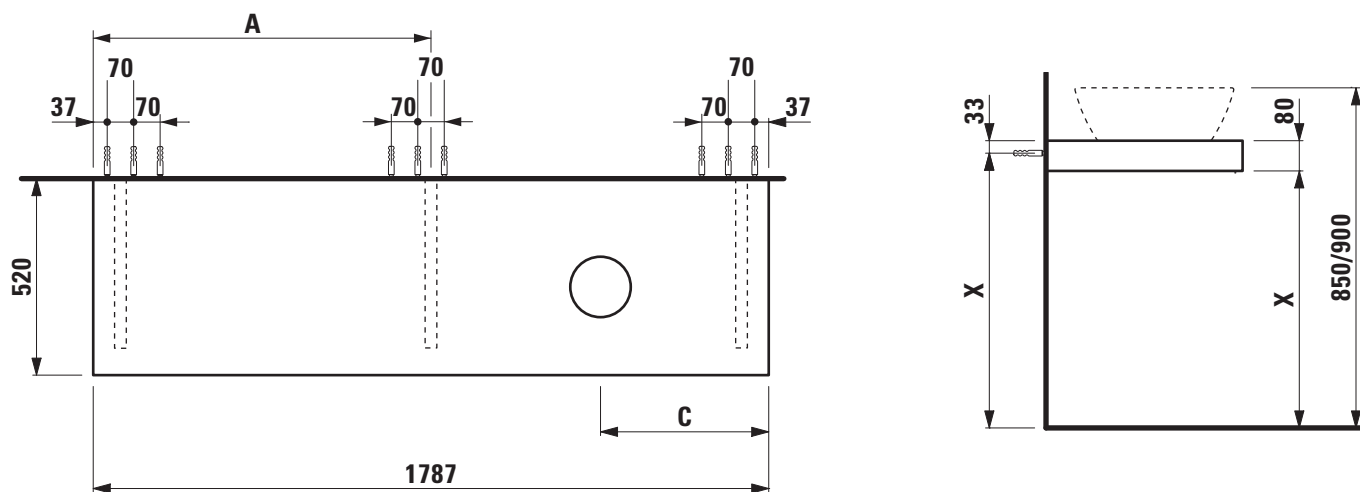
40516.3



TECHNICAL DATA

Order no.	40516.0 / without cut out 40516.3 / 1 cut out right	Mounting acc. incl.	Installation set, order no. 49012.4 and mounting brackets
Dimensions (WxHxD)	1787 x 80 x 520 mm	Mounting information	The walls installed on must meet the requirements of the furniture in terms of weight and the supplied fastening elements. If this cannot be guaranteed another method of installation needs to be chosen.
Matching for washbasin	see matrix for washtops 1787 mm	Colours body	463 – White 519 – Chalked oak 548 – Anthracite oak
Specification	Body – MDF board with PVC foil without or with cut out with 3 mounting brackets max. load 150 kg		
Weight	22,5 kg		
Accessories excl.	For possible drawer elements Case see matrix. Towel rail, anodized aluminium, order no. 49095.2		

TECHNICAL DRAWINGS / S 1 : 20



A / mm	C / mm	Ceramic	A / mm	C / mm	Ceramic
893,5	225	Kartell by Laufen s1033.5	893,5	505	Val s1628.7
893,5	239	Kartell by Laufen s1233.2	893,5	535	Palomba s1680.2
893,5	242	Kartell by Laufen s1233.2 (with tap bank right)	893,5	540	Val s1628.8
717	300	Kartell by Laufen s1033.9	717	546	Living Square s1643.4
893,5	345	Val s1228.2 (semi-wet-area left)	893,5	550	Val s1228.2 (semi-wet-area right)
893,5	374	Kartell by Laufen s1033.4	717	598	Kartell by Laufen s1033.8
717	447	Living Square s1643.2 Laufen Pro S s1696.4, s1696.7	893,5	652	Kartell by Laufen s1233.2 (with tap bank left)
893,5	496	Palomba s1680.3	893,5	447	all other from matrix for washtops Case
893,5	497	Val s1228.1			

X = The exact height must be set during installation.

Washtop without / with 2 cut outs

40516.0

40516.4

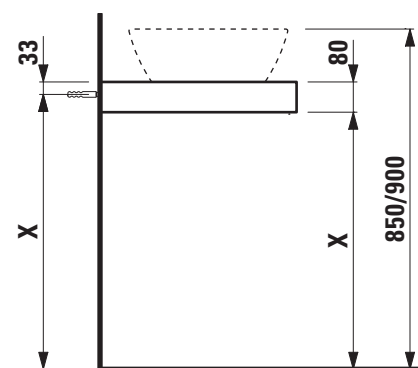
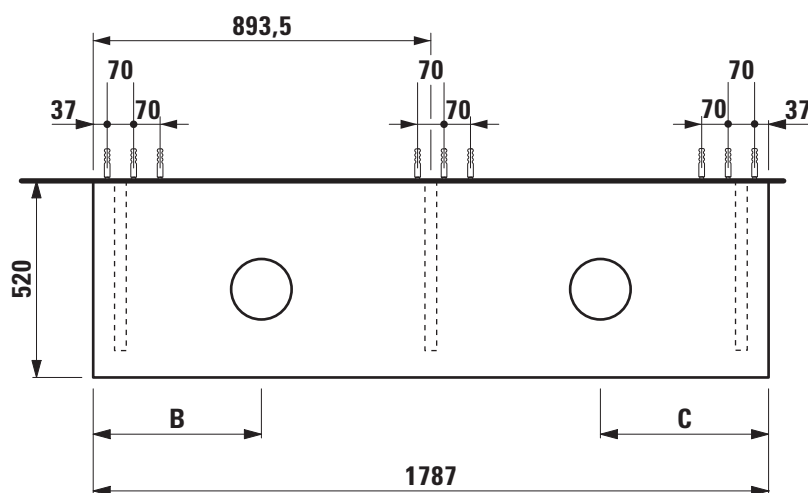


TECHNICAL DATA

Order no.	40516.0 / without cut out 40516.4 / 2 cut outs
Dimensions (WxHxD)	1787 x 80 x 520 mm
Matching for washbasin	see matrix for washtops 1787 mm
Specification	Body – MDF board with PVC foil without or with cut out with 3 mounting brackets max. load 150 kg
Weight	22,5 kg
Accessories excl.	For possible drawer elements Case see matrix. Towel rail, anodized aluminium, order no. 49095.2
Mounting acc. incl.	Installation set, order no. 49012.4 and mounting brackets

Mounting information	The walls installed on must meet the requirements of the furniture in terms of weight and the supplied fastening elements. If this cannot be guaranteed another method of installation needs to be chosen.
Colours body	463 – White 519 – Chalked oak 548 – Anthracite oak

TECHNICAL DRAWINGS / S 1 : 20



B / mm	C / mm	Ceramic
225	374	Kartell by Laufen s1033.4
242	652	Kartell by Laufen s1233.2 (with tap bank left)
345	550	Val s1228.2 (semi-wet-area right)
354	540	Val s1628.8
358	535	Palomba s1680.2
374	225	Kartell by Laufen s1033.5

B / mm	C / mm	Ceramic
397	497	Val s1228.1
398	496	Palomba s1680.3
550	345	Val s1228.2 (semi-wet-area left)
652	243	Kartell by Laufen s1233.2 (with tap bank right)
447	447	all other from matrix for washtops Case

X = The exact height must be set during installation.

**Drawer element
40521.2**

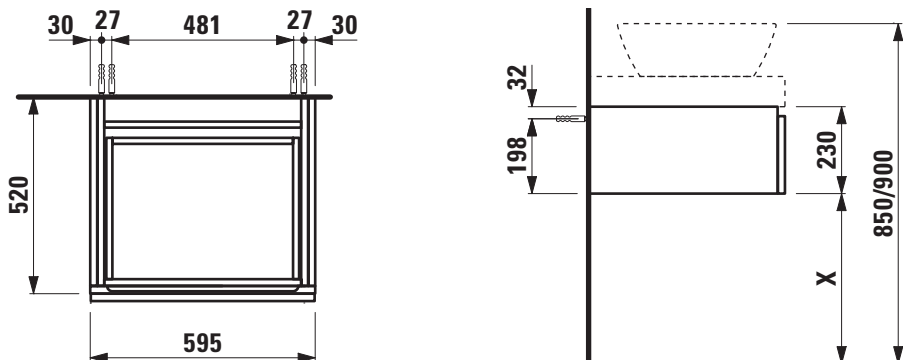


TECHNICAL DATA

Order no.	40521.2 / 1 drawer
Dimensions (WxHxD)	595 x 230 x 520 mm
Specification	Body/Front – MDF board with PVC foil Integrated handle on the top of the drawer Without top for mounting under washtop
Special specification	In combination with washtop
Weight	17,5 kg
Accessories excl.	Towel rail, anodized aluminium, order no. 49095.2 Space saving siphon, order no. 89424.0
Mounting acc. incl.	Installation set, order no. 49137.8

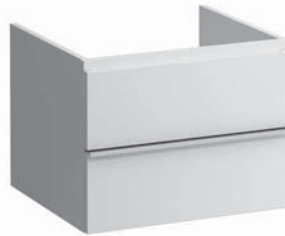
Mounting information	The walls installed on must meet the requirements of the furniture in terms of weight and the supplied fastening elements. If this cannot be guaranteed another method of installation needs to be chosen.
Colours	463 – White 519 – Chalked oak 548 – Anthracite oak

TECHNICAL DRAWINGS / S 1 : 20



X = The exact height must be set during installation.

**Drawer element
40521.4**

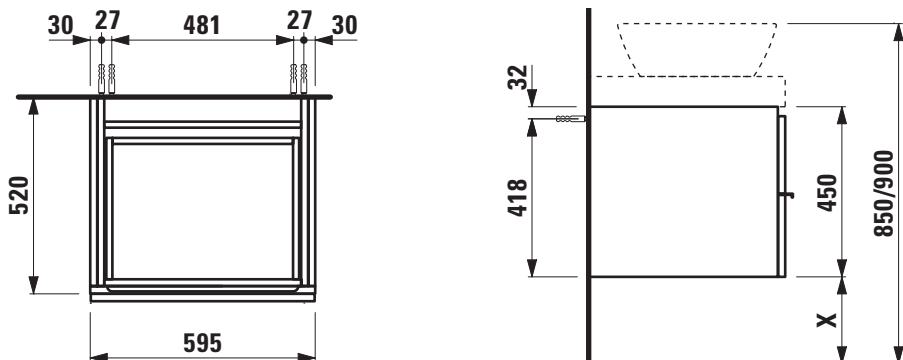


TECHNICAL DATA

Order no.	40521.4 / 2 drawers
Dimensions (WxHxD)	595 x 450 x 520 mm
Specification	Body/Front – MDF board with PVC foil Integrated handle on the top of the drawer and aluminum handle bar in the middle Without top for mounting under washtop
Special specification	In combination with washtop
Weight	26,5 kg
Accessories excl.	Towel rail, anodized aluminium, order no. 49095.2 Space saving siphon, order no. 89424.0
Mounting acc. incl.	Installation set, order no. 49137.8

Mounting information	The walls installed on must meet the requirements of the furniture in terms of weight and the supplied fastening elements. If this cannot be guaranteed another method of installation needs to be chosen.
Colours	463 – White 519 – Chalked oak 548 – Anthracite oak

TECHNICAL DRAWINGS / S 1 : 20



X = The exact height must be set during installation.

Drawer element
40522.2

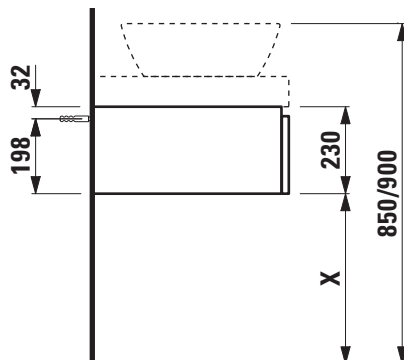
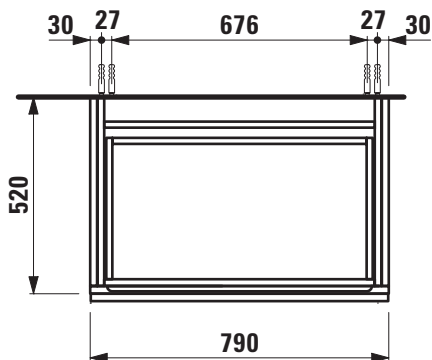


TECHNICAL DATA

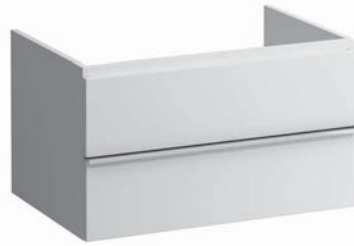
Order no.	40522.2 / 1 drawer
Dimensions (WxHxD)	790 x 230 x 520 mm
Specification	Body/Front – MDF board with PVC foil Integrated handle on the top of the drawer Without top for mounting under washtop
Special specification	In combination with washtop
Weight	21,5 kg
Accessories excl.	Towel rail, anodized aluminium, order no. 49095.2 Space saving siphon, order no. 89424.0
Mounting acc. incl.	Installation set, order no. 49137.8

Mounting information	The walls installed on must meet the requirements of the furniture in terms of weight and the supplied fastening elements. If this cannot be guaranteed another method of installation needs to be chosen.
Colours	463 – White 519 – Chalked oak 548 – Anthracite oak

TECHNICAL DRAWINGS / S 1 : 20



X = The exact height must be set during installation.

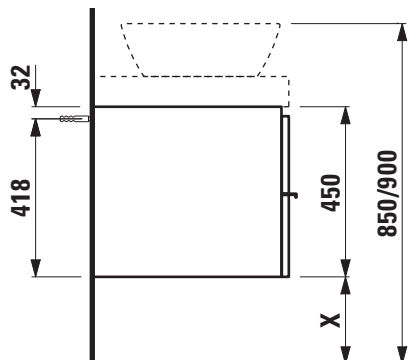
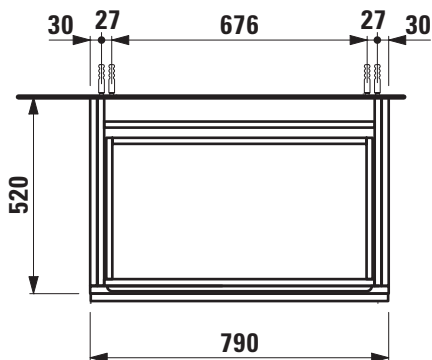


TECHNICAL DATA

Order no.	40522.4 / 2 drawers
Dimensions (WxHxD)	790 x 450 x 520 mm
Specification	Body/Front – MDF board with PVC foil Integrated handle on the top of the drawer and aluminum handle bar in the middle Without top for mounting under washtop
Special specification	In combination with washtop
Weight	33,0 kg
Accessories excl.	Towel rail, anodized aluminium, order no. 49095.2 Space saving siphon, order no. 89424.0
Mounting acc. incl.	Installation set, order no. 49137.8

Mounting information	The walls installed on must meet the requirements of the furniture in terms of weight and the supplied fastening elements. If this cannot be guaranteed another method of installation needs to be chosen.
Colours	463 – White 519 – Chalked oak 548 – Anthracite oak

TECHNICAL DRAWINGS / S 1 : 20



X = The exact height must be set during installation.

Drawer element
40523.2

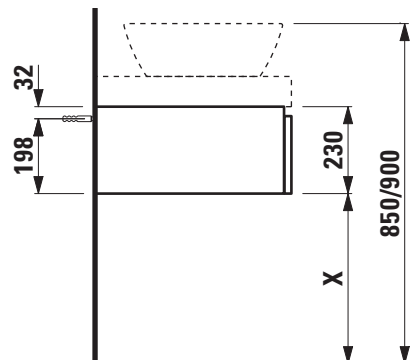
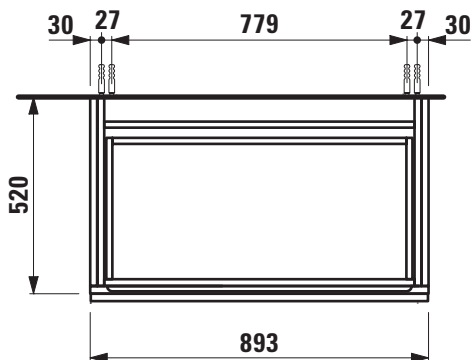


TECHNICAL DATA

Order no.	40523.2 / 1 drawer
Dimensions (WxHxD)	893 x 230 x 520 mm
Specification	Body/Front – MDF board with PVC foil Integrated handle on the top of the drawer Without top for mounting under washtop
Special specification	In combination with washtop
Weight	23,5 kg
Accessories excl.	Towel rail, anodized aluminium, order no. 49095.2 Space saving siphon, order no. 89424.0
Mounting acc. incl.	Installation set, order no. 49137.8

Mounting information	The walls installed on must meet the requirements of the furniture in terms of weight and the supplied fastening elements. If this cannot be guaranteed another method of installation needs to be chosen.
Colours	463 – White 519 – Chalked oak 548 – Anthracite oak

TECHNICAL DRAWINGS / S 1 : 20



X = The exact height must be set during installation.



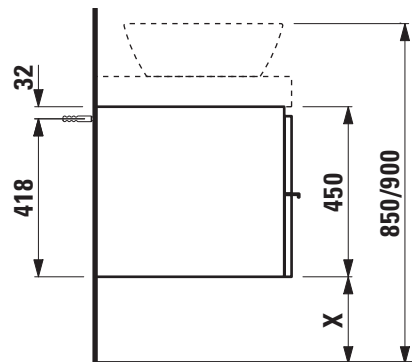
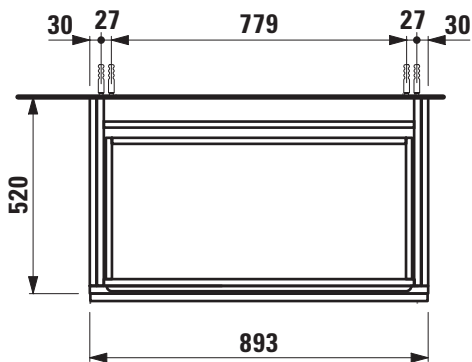
TECHNICAL DATA

Order no.	40523.4 / 2 drawers
Dimensions (WxHxD)	893 x 450 x 520 mm
Specification	Body/Front – MDF board with PVC foil Integrated handle on the top of the drawer and aluminum handle bar in the middle Without top for mounting under washtop
Special specification	In combination with washtop
Weight	36,0 kg
Accessories excl.	Towel rail, anodized aluminium, order no. 49095.2 Space saving siphon, order no. 89424.0
Mounting acc. incl.	Installation set, order no. 49137.8

Mounting information The walls installed on must meet the requirements of the furniture in terms of weight and the supplied fastening elements. If this cannot be guaranteed another method of installation needs to be chosen.

Colours	463 – White 519 – Chalked oak 548 – Anthracite oak
----------------	--

TECHNICAL DRAWINGS / S 1 : 20



X = The exact height must be set during installation.



Matrix for washtops 596 mm / 791 mm / 894 mm without and with drawer elements



POSSIBLE COMBINATIONS WITH WASHBASINS INO, KARTELL BY LAUFEN, LAUFEN PRO S, LAUFEN PRO


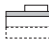
Washtop 596 mm			Washtop 791 mm			Washtop 894 mm		
Ceramic			Ceramic			Ceramic		
Ino			Ino			Ino		
ø1230.0 350x360 mm	✓	✓	ø1230.0 350x360 mm	✓	✓	ø1230.0 350x360 mm	✓	✓
ø1230.2 500x360 mm	✓	✓	ø1230.2 500x360 mm	✓	✓	ø1230.2 500x360 mm	✓	✓
ø1630.0 450x410 mm	✓	✓	ø1630.0 450x410 mm	✓	✓	ø1630.0 450x410 mm	✓	✓
ø1630.2 560x450 mm	✓	✓	ø1630.2 560x450 mm	✓	✓	ø1630.2 560x450 mm	✓	✓
ø1730.1 350x365 mm	✓		ø1730.1 350x365 mm	✓		ø1730.1 350x365 mm	✓	
ø1730.2 500x365 mm			ø1730.2 500x365 mm	✓		ø1730.2 500x365 mm	✓	
Kartell by Laufen			Kartell by Laufen			Kartell by Laufen		
ø1033.4 / ø1033.5 600x460 mm	✓	✓	ø1033.4 / ø1033.5 600x460 mm	✓	✓	ø1033.4 / ø1033.5 600x460 mm	✓	✓
ø1233.1 420x420 mm	✓	✓	ø1233.1 420x420 mm	✓	✓	ø1233.1 420x420 mm	✓	✓
ø1233.2 750x350 mm			ø1233.2 750x350 mm			ø1233.2 750x350 mm	✓	✓
ø1533.1 460x460 mm	✓	✓	ø1533.1 460x460 mm	✓	✓	ø1533.1 460x460 mm	✓	✓
ø1633.2 500x460 mm	✓	✓	ø1633.2 500x460 mm	✓	✓	ø1633.2 500x460 mm	✓	✓
ø1633.3 600x460 mm			ø1633.3 600x460 mm	✓	✓	ø1633.3 600x460 mm	✓	✓
Laufen Pro S			Laufen Pro S			Laufen Pro S		
ø1696.1 450x340 mm	✓	✓	ø1696.1 450x340 mm	✓	✓	ø1696.1 450x340 mm	✓	✓
ø1696.2 550x465 mm			ø1696.2 550x465 mm	✓	✓	ø1696.2 550x465 mm	✓	✓
ø1696.3 600x465 mm			ø1696.3 600x465 mm	✓	✓	ø1696.3 600x465 mm	✓	✓
ø1696.4 650x465 mm			ø1696.4 650x465 mm	✓	✓	ø1696.4 650x465 mm	✓	✓
ø1696.7 700x465 mm			ø1696.7 700x465 mm			ø1696.7 700x465 mm	✓	✓
ø1896.3 560x440 mm			ø1896.3 560x440 mm	✓		ø1896.3 560x440 mm	✓	
Laufen Pro			Laufen Pro			Laufen Pro		
ø1195.2 450x340 mm	✓	✓	ø1195.2 450x340 mm	✓	✓	ø1195.2 450x340 mm	✓	✓
ø1295.2 550x380 mm	✓	✓	ø1295.2 550x380 mm	✓	✓	ø1295.2 550x380 mm	✓	✓
ø1295.3 600x380 mm			ø1295.3 600x380 mm	✓	✓	ø1295.3 600x380 mm	✓	✓
ø1296.2 420x420 mm	✓	✓	ø1296.2 420x420 mm	✓	✓	ø1296.2 420x420 mm	✓	✓
ø1296.4 520x390 mm	✓	✓	ø1296.4 520x390 mm	✓	✓	ø1296.4 520x390 mm	✓	✓
ø1395.1 560x440 mm			ø1395.1 560x440 mm			ø1395.1 560x440 mm		
ø1396.1 560x440 mm			ø1396.1 560x440 mm			ø1396.1 560x440 mm		
ø1695.2 600x400 mm			ø1695.2 600x400 mm	✓	✓	ø1695.2 600x400 mm	✓	✓
ø1795.1 550x480 mm			ø1795.1 550x480 mm	✓	✓	ø1795.1 550x480 mm	✓	✓
ø1795.2 600x480 mm			ø1795.2 600x480 mm	✓	✓	ø1795.2 600x480 mm	✓	✓
ø1795.3 650x480 mm			ø1795.3 650x480 mm	✓	✓	ø1795.3 650x480 mm	✓	✓

Matrix for washtops 596 mm / 791 mm / 894 mm without and with drawer elements

POSSIBLE COMBINATIONS WITH WASHBASINS LIVING CITY, LIVING SAPHIRKERAMIK, LIVING SQUARE, PALOMBA COLLECTION, VAL

Washtop 596 mm		
Ceramic		
Living City		
81143.0 450x380 mm	✓	✓
81143.1 500x425 mm	✓	✓
81143.2 600x425 mm		
81743.2 500x460 mm	✓	✓
81743.4 600x460 mm		
81743.7 800x470 mm		
Living SaphirKeramik		
81143.3 360x360 mm	✓	✓
81143.4 600x340 mm		
81143.5 380x380 mm	✓	✓
Living Square		
81543.5 500x380 mm		
81643.2 650x480 mm		
Palomba Collection		
81680.1 900x420 mm		
81680.2 520x380 mm	✓	✓
81680.3 600x400 mm		
Val		
81228.1 500x400 mm	✓	✓
81228.2 550x360 mm	✓	✓
81328.1 400x425 mm	✓	✓
81628.0 450x420 mm	✓	✓
81628.2 550x420 mm	✓	✓
81628.3 600x420 mm		
81628.4 650x420 mm		
81628.5 750x420 mm		
81628.8 530x400 mm	✓	✓
81728.1 550x360 mm		

Washtop 791 mm		
Ceramic		
Living City		
81143.0 450x380 mm	✓	✓
81143.1 500x425 mm	✓	✓
81143.2 600x425 mm	✓	✓
81743.2 500x460 mm	✓	✓
81743.4 600x460 mm	✓	✓
81743.7 800x470 mm		
Living SaphirKeramik		
81143.3 360x360 mm	✓	✓
81143.4 600x340 mm	✓	✓
81143.5 380x380 mm	✓	✓
Living Square		
81543.5 500x380 mm	✓	
81643.2 650x480 mm	✓	✓
Palomba Collection		
81680.1 900x420 mm		
81680.2 520x380 mm	✓	✓
81680.3 600x400 mm	✓	✓
Val		
81228.1 500x400 mm	✓	✓
81228.2 550x360 mm	✓	✓
81328.1 400x425 mm	✓	✓
81628.0 450x420 mm	✓	✓
81628.2 550x420 mm	✓	✓
81628.3 600x420 mm	✓	✓
81628.4 650x420 mm	✓	✓
81628.5 750x420 mm		
81628.8 530x400 mm	✓	✓
81728.1 550x360 mm	✓	✓

Washtop 894 mm		
Ceramic		
Living City		
81143.0 450x380 mm	✓	✓
81143.1 500x425 mm	✓	✓
81143.2 600x425 mm	✓	✓
81743.2 500x460 mm	✓	✓
81743.4 600x460 mm	✓	✓
81743.7 800x470 mm	✓	✓
Living SaphirKeramik		
81143.3 360x360 mm	✓	✓
81143.4 600x340 mm	✓	✓
81143.5 380x380 mm	✓	✓
Living Square		
81543.5 500x380 mm	✓	
81643.2 650x480 mm	✓	✓
Palomba Collection		
81680.1 900x420 mm	✓	✓
81680.2 520x380 mm	✓	✓
81680.3 600x400 mm	✓	✓
Val		
81228.1 500x400 mm	✓	✓
81228.2 550x360 mm	✓	✓
81328.1 400x425 mm	✓	✓
81628.0 450x420 mm	✓	✓
81628.2 550x420 mm	✓	✓
81628.3 600x420 mm	✓	✓
81628.4 650x420 mm	✓	✓
81628.5 750x420 mm	✓	✓
81628.8 530x400 mm	✓	✓
81728.1 550x360 mm	✓	✓

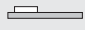



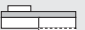







**Matrix for washtops 1191 mm
without and with drawer elements**

POSSIBLE COMBINATIONS WITH WASHBASINS INO, KARTELL BY LAUFEN, LAUFEN PRO S

Washtop												
Ceramic												
Ino												
ø1230.0 350x360 mm	✓						✓	✓	✓	✓	✓	✓
ø1230.2 500x360 mm	✓						✓	✓	✓	✓	✓	✓
ø1630.0 450x410 mm	✓						✓	✓	✓	✓	✓	✓
ø1630.2 560x450 mm	✓						✓	✓	✓	✓	✓	✓
ø1730.1 350x365 mm	✓						✓					
ø1730.2 500x365 mm	✓											
Kartell												
ø1033.4 600x460 mm	✓											
ø1033.5 600x460 mm	✓											
ø1033.8 900x460 mm	✓											
ø1033.9 900x460 mm	✓											
ø1233.1 420x420 mm	✓						✓	✓	✓	✓	✓	✓
ø1233.2 750x350 mm	✓	✓	✓	✓	✓	✓						
ø1333.2 1200x460 mm	✓											
ø1533.1 460x460 mm	✓											
ø1633.2 500x460 mm	✓											
ø1633.3 600x460 mm	✓											
Laufen Pro S												
ø1696.1 450x340 mm	✓						✓	✓	✓	✓	✓	✓
ø1696.2 550x465 mm	✓											
ø1696.3 600x465 mm	✓											
ø1696.4 650x465 mm	✓											
ø1696.5 850x460 mm	✓											
ø1696.6 1050x460 mm	✓											
ø1696.7 700x465 mm	✓											
ø1896.3 560x440 mm	✓											

**Matrix for washtops 1191 mm
without and with drawer elements**

POSSIBLE COMBINATIONS WITH WASHBASINS INO, KARTELL BY LAUFEN, LAUFEN PRO S

Washtop Ceramic												
Ino												
ø1230.0 350x360 mm	✓	✓	✓	✓	✓	✓	✓	✓	✓	✓	✓	✓
ø1230.2 500x360 mm	✓	✓	✓	✓	✓	✓	✓	✓	✓	✓	✓	✓
ø1630.0 450x410 mm	✓	✓	✓	✓	✓	✓	✓	✓	✓	✓	✓	✓
ø1630.2 560x450 mm	✓	✓	✓	✓	✓	✓	✓	✓	✓	✓	✓	✓
ø1730.1 350x365 mm	✓		✓				✓	✓				
ø1730.2 500x365 mm	✓		✓				✓	✓				
Kartell												
ø1033.4 600x460 mm	✓		✓				✓	✓				
ø1033.5 600x460 mm	✓		✓				✓	✓				
ø1033.8 900x460 mm	✓		✓									
ø1033.9 900x460 mm							✓	✓				
ø1233.1 420x420 mm	✓	✓	✓	✓	✓	✓	✓	✓	✓	✓	✓	✓
ø1233.2 750x350 mm	✓	✓	✓	✓	✓	✓	✓	✓	✓	✓	✓	✓
ø1333.2 1200x460 mm												
ø1533.1 460x460 mm	✓	✓	✓	✓	✓	✓	✓	✓	✓	✓	✓	✓
ø1633.2 500x460 mm	✓	✓	✓	✓	✓	✓	✓	✓	✓	✓	✓	✓
ø1633.3 600x460 mm												
Laufen Pro S												
ø1696.1 450x340 mm	✓	✓	✓	✓	✓	✓	✓	✓	✓	✓	✓	✓
ø1696.2 550x465 mm	possible but not recommended	possible but not recommended	possible but not recommended	possible but not recommended	possible but not recommended	possible but not recommended	possible but not recommended	possible but not recommended	possible but not recommended	possible but not recommended	possible but not recommended	possible but not recommended
ø1696.3 600x465 mm	possible but not recommended	possible but not recommended	possible but not recommended	possible but not recommended	possible but not recommended	possible but not recommended	possible but not recommended	possible but not recommended	possible but not recommended	possible but not recommended	possible but not recommended	possible but not recommended
ø1696.4 650x465 mm	possible but not recommended	possible but not recommended	possible but not recommended	possible but not recommended	possible but not recommended	possible but not recommended	possible but not recommended	possible but not recommended	possible but not recommended	possible but not recommended	possible but not recommended	possible but not recommended
ø1696.5 850x460 mm												
ø1696.6 1050x460 mm												
ø1696.7 700x465 mm	possible but not recommended	possible but not recommended	possible but not recommended	possible but not recommended	possible but not recommended	possible but not recommended	possible but not recommended	possible but not recommended	possible but not recommended	possible but not recommended	possible but not recommended	possible but not recommended
ø1896.3 560x440 mm	✓						✓					

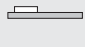
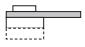

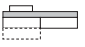
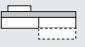
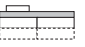

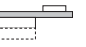

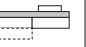
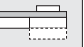
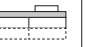
**Matrix for washtops 1191 mm
without and with drawer elements**

POSSIBLE COMBINATIONS WITH WASHBASINS LAUFEN PRO LIVING CITY, LIVING SAPHIRKERAMIK, LIVING SQUARE

Washtop												
Ceramic												
Laufen Pro												
ø1195.2 450x340 mm	✓						✓	✓	✓	✓	✓	✓
ø1295.2 550x380 mm	✓						✓	✓	✓	✓	✓	✓
ø1295.3 600x380 mm	✓											
ø1296.2 420x420 mm	✓						✓	✓	✓	✓	✓	✓
ø1296.4 520x390 mm	✓						✓	✓	✓	✓	✓	✓
ø1395.1 560x440 mm	✓											
ø1396.1 560x440 mm	✓											
ø1695.2 600x400 mm	✓											
ø1795.1 550x480 mm	✓											
ø1795.2 600x480 mm	✓											
ø1795.3 650x480 mm	✓											
Living City												
ø1143.0 450x380 mm	✓						✓	✓	✓	✓	✓	✓
ø1143.1 500x425 mm	✓						✓	✓	✓	✓	✓	✓
ø1143.2 600x425 mm	✓											
ø1743.2 500x460 mm	✓						✓	✓	✓	✓	✓	✓
ø1743.4 600x460 mm	✓											
ø1743.7 800x470 mm	✓											
ø1843.8 1000x470 mm	✓											
Living Saphir- Keramik												
ø1143.3 360x360 mm	✓						✓	✓	✓	✓	✓	✓
ø1143.4 600x340 mm	✓											
ø1143.5 380x380 mm	✓						✓	✓	✓	✓	✓	✓
Living Square												
ø1543.5 500x380 mm	✓											
ø1643.2 650x480 mm	✓											
ø1643.4 900x480 mm	✓											

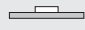




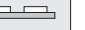


**Matrix for washtops 1191 mm
without and with drawer elements**

POSSIBLE COMBINATIONS WITH WASHBASINS LAUFEN PRO, LIVING CITY, LIVING SAPHIRKERAMIK, LIVING SQUARE

Washtop Ceramic												
Laufen Pro												
ø1195.2 450x340 mm	✓	✓	✓	✓	✓	✓	✓	✓	✓	✓	✓	✓
ø1295.2 550x380 mm	✓	✓	✓	✓	✓	✓	✓	✓	✓	✓	✓	✓
ø1295.3 600x380 mm	✓	possible but not recommended	possible but not recommended	possible but not recommended	possible but not recommended	possible but not recommended	✓	possible but not recommended	possible but not recommended	possible but not recommended	possible but not recommended	possible but not recommended
ø1296.2 420x420 mm	✓	✓	✓	✓	✓	✓	✓	✓	✓	✓	✓	✓
ø1296.4 520x390 mm	✓	✓	✓	✓	✓	✓	✓	✓	✓	✓	✓	✓
ø1395.1 560x440 mm	✓		✓				✓	✓				
ø1396.1 560x440 mm	✓		✓				✓	✓				
ø1695.2 600x400 mm	✓	✓	✓	✓	✓	✓	✓	✓	✓	✓	✓	✓
ø1795.1 550x480 mm	✓	possible but not recommended	possible but not recommended	possible but not recommended	possible but not recommended	possible but not recommended	✓	possible but not recommended	possible but not recommended	possible but not recommended	possible but not recommended	possible but not recommended
ø1795.2 600x480 mm	✓	possible but not recommended	possible but not recommended	possible but not recommended	possible but not recommended	possible but not recommended	✓	possible but not recommended	possible but not recommended	possible but not recommended	possible but not recommended	possible but not recommended
ø1795.3 650x480 mm	✓	possible but not recommended	possible but not recommended	possible but not recommended	possible but not recommended	possible but not recommended	✓	possible but not recommended	possible but not recommended	possible but not recommended	possible but not recommended	possible but not recommended
Living City												
ø1143.0 450x380 mm	✓	✓	✓	✓	✓	✓	✓	✓	✓	✓	✓	✓
ø1143.1 500x425 mm	✓	✓	✓	✓	✓	✓	✓	✓	✓	✓	✓	✓
ø1143.2 600x425 mm	✓	✓	✓	✓	✓	✓	✓	✓	✓	✓	✓	✓
ø1743.2 500x460 mm	✓	✓	✓	✓	✓	✓	✓	✓	✓	✓	✓	✓
ø1743.4 600x460 mm	✓	✓	✓	✓	✓	✓	✓	✓	✓	✓	✓	✓
ø1743.7 800x470 mm	✓	possible but not recommended	possible but not recommended	possible but not recommended	possible but not recommended	possible but not recommended	✓	possible but not recommended	possible but not recommended	possible but not recommended	possible but not recommended	possible but not recommended
ø1843.8 1000x470 mm												
Living Saphir-Keramik												
ø1143.3 360x360 mm	✓	✓	✓	✓	✓	✓	✓	✓	✓	✓	✓	✓
ø1143.4 600x340 mm	✓	✓	✓	✓	✓	✓	✓	✓	✓	✓	✓	✓
ø1143.5 380x380 mm	✓	✓	✓	✓	✓	✓	✓	✓	✓	✓	✓	✓
Living Square												
ø1543.5 500x380 mm	✓		✓				✓	✓				
ø1643.2 650x480 mm	✓						✓					
ø1643.4 900x480 mm												

Matrix for washtops 1191 mm without and with drawer elements

POSSIBLE COMBINATIONS WITH WASHBASINS PALOMBA COLLECTION, VAL

Washtop												
Ceramic												
Palomba Collection												
ø1680.1 900x420 mm	✓	✓	✓	✓	✓	✓						
ø1680.2 520x380 mm	✓		✓				✓	✓	✓	✓	✓	✓
ø1680.3 600x400 mm	✓											
Val												
ø1228.1 500x400 mm	✓						✓	✓	✓	✓	✓	✓
ø1228.2 550x360 mm	✓						✓	✓	✓	✓	✓	✓
ø1328.1 400x425 mm	✓						✓	✓	✓	✓	✓	✓
ø1628.0 450x420 mm	✓						✓	✓	✓	✓	✓	✓
ø1628.2 550x420 mm	✓						✓	✓	✓	✓	✓	✓
ø1628.3 600x420 mm	✓											
ø1628.4 650x420 mm	✓											
ø1628.5 750x420 mm	✓											
ø1628.7 950x420 mm	✓											
ø1628.8 530x400 mm	✓						✓	✓	✓	✓	✓	✓
ø1728.1 550x360 mm	✓											


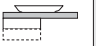










**Matrix for washtops 1191 mm
without and with drawer elements**

POSSIBLE COMBINATIONS WITH WASHBASINS PALOMBA COLLECTION, VAL

Washtop												
Ceramic												
Palomba Collection												
ø1680.1 900x420 mm	✓	✓	✓	✓	✓	✓						
ø1680.2 520x380 mm	✓	✓	✓	✓	✓	✓	✓	✓	✓	✓	✓	✓
ø1680.3 600x400 mm	✓	✓	✓	✓	✓	✓	✓	✓	✓	✓	✓	✓
Val												
ø1228.1 500x400 mm	✓	✓	✓	✓	✓	✓	✓	✓	✓	✓	✓	✓
ø1228.2 550x360 mm	✓	✓	✓	✓	✓	✓	✓	✓	✓	✓	✓	✓
ø1328.1 400x425 mm	✓	✓	✓	✓	✓	✓	✓	✓	✓	✓	✓	✓
ø1628.0 450x420 mm	✓	✓	✓	✓	✓	✓	✓	✓	✓	✓	✓	✓
ø1628.2 550x420 mm	✓	✓	✓	✓	✓	✓	✓	✓	✓	✓	✓	✓
ø1628.3 600x420 mm	✓	✓	✓	✓	✓	✓	✓	✓	✓	✓	✓	✓
ø1628.4 650x420 mm	possible but not recommended	possible but not recommended	possible but not recommended	possible but not recommended	possible but not recommended	possible but not recommended	possible but not recommended	possible but not recommended	possible but not recommended	possible but not recommended	possible but not recommended	possible but not recommended
ø1628.5 750x420 mm	possible but not recommended	possible but not recommended	possible but not recommended	possible but not recommended	possible but not recommended	possible but not recommended	possible but not recommended	possible but not recommended	possible but not recommended	possible but not recommended	possible but not recommended	possible but not recommended
ø1628.7 950x420 mm	✓						✓					
ø1628.8 530x400 mm	✓	✓	✓	✓	✓	✓	✓	✓	✓	✓	✓	✓
ø1728.1 550x360 mm	✓	✓	✓	✓	✓	✓	✓	✓	✓	✓	✓	✓

**Matrix for washtops 1581 mm / 1787 mm
without and with drawer elements**






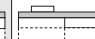
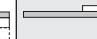

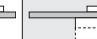



POSSIBLE COMBINATIONS WITH WASHBASINS INO, KARTELL BY LAUFEN, LAUFEN PRO S, LAUFEN PRO

Washtop												
Ceramic												
Ino												
ø1230.0 350x360 mm	✓						✓	✓	✓	✓	✓	✓
ø1230.2 500x360 mm	✓						✓	✓	✓	✓	✓	✓
ø1630.0 450x410 mm	✓						✓	✓	✓	✓	✓	✓
ø1630.2 560x450 mm	✓						✓	✓	✓	✓	✓	✓
ø1730.1 350x365 mm	✓						✓					
ø1730.2 500x365 mm	✓						✓					
Kartell												
ø1033.4 600x460 mm	✓						✓	✓	✓	✓	✓	✓
ø1033.5 600x460 mm	✓						✓	✓	✓	✓	✓	✓
ø1033.8 900x460 mm	✓											
ø1033.9 900x460 mm	✓											
ø1233.1 420x420 mm	✓						✓	✓	✓	✓	✓	✓
ø1233.2 750x350 mm	✓	✓	✓	✓	✓	✓	✓*	✓*	✓*	✓*	✓*	✓*
ø1333.2 1200x460 mm	✓											
ø1533.1 460x460 mm	✓						✓	✓	✓	✓	✓	✓
ø1633.2 500x460 mm	✓						✓	✓	✓	✓	✓	✓
ø1633.3 600x460 mm	✓						✓	✓	✓	✓	✓	✓
Laufen Pro S												
ø1696.1 450x340 mm	✓						✓	✓	✓	✓	✓	✓
ø1696.2 550x465 mm	✓						✓	✓	✓	✓	✓	✓
ø1696.3 600x465 mm	✓						✓	✓	✓	✓	✓	✓
ø1696.4 650x465 mm	✓						✓	✓	✓	✓	✓	✓
ø1696.5 850x460 mm	✓											
ø1696.6 1050x460 mm	✓											
ø1696.7 700x465 mm	✓						✓	✓	✓	✓	✓	✓
ø1896.3 560x440 mm	✓						✓					

✓* = Combination only with washtop from width 1787 mm.

**Matrix for washtops 1581 mm / 1787 mm
without and with drawer elements**

POSSIBLE COMBINATIONS WITH WASHBASINS INO, KARTELL BY LAUFEN, LAUFEN PRO S

Washtop Ceramic												
Ino												
ø1230.0 350x360 mm	✓	✓	✓	✓	✓	✓	✓	✓	✓	✓	✓	✓
ø1230.2 500x360 mm	✓	✓	✓	✓	✓	✓	✓	✓	✓	✓	✓	✓
ø1630.0 450x410 mm	✓	✓	✓	✓	✓	✓	✓	✓	✓	✓	✓	✓
ø1630.2 560x450 mm	✓	✓	✓	✓	✓	✓	✓	✓	✓	✓	✓	✓
ø1730.1 350x365 mm	✓		✓				✓	✓				
ø1730.2 500x365 mm	✓	✓	✓	✓	✓	✓	✓	✓	✓	✓	✓	✓
Kartell												
ø1033.4 600x460 mm	✓	✓	✓	✓	✓	✓	✓	✓	✓	✓	✓	✓
ø1033.5 600x460 mm	✓	✓	✓	✓	✓	✓	✓	✓	✓	✓	✓	✓
ø1033.8 900x460 mm	✓		✓				✓*	✓*				
ø1033.9 900x460 mm	✓*		✓*				✓	✓				
ø1233.1 420x420 mm	✓	✓	✓	✓	✓	✓	✓	✓	✓	✓	✓	✓
ø1233.2 750x350 mm	✓	✓*	✓	✓*	✓*	✓*	✓	✓	✓*	✓*	✓*	✓*
ø1333.2 1200x460 mm	✓		✓									
ø1533.1 460x460 mm	✓	✓	✓	✓	✓	✓	✓	✓	✓	✓	✓	✓
ø1633.2 500x460 mm	✓	✓	✓	✓	✓	✓	✓	✓	✓	✓	✓	✓
ø1633.3 600x460 mm	✓	✓	✓	✓	✓	✓	✓	✓	✓	✓	✓	✓
Laufen Pro S												
ø1696.1 450x340 mm	✓	✓	✓	✓	✓	✓	✓	✓	✓	✓	✓	✓
ø1696.2 550x465 mm	✓	✓	✓	✓	✓	✓	✓	✓	✓	✓	✓	✓
ø1696.3 600x465 mm	✓	✓	✓	✓	✓	✓	✓	✓	✓	✓	✓	✓
ø1696.4 650x465 mm	✓	✓	✓	✓	✓	✓	✓	✓	✓	✓	✓	✓
ø1696.5 850x460 mm												
ø1696.6 1050x460 mm												
ø1696.7 700x465 mm	✓	✓	✓	✓	✓	✓	✓	✓	✓	✓	✓	✓
ø1896.3 560x440 mm	✓		✓				✓	✓				

✓* = Combination only with washtop from width 1787 mm.

**Matrix for washtops 1581 mm / 1787 mm
without and with drawer elements**


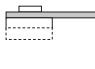

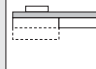
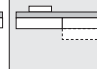
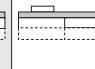



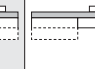


POSSIBLE COMBINATIONS WITH WASHBASINS LAUFEN PRO, LIVING CITY, LIVING SAPHIRKERAMIK, LIVING SQUARE

Washtop												
Ceramic												
Laufen Pro												
ø1195.2 450x340 mm	✓						✓	✓	✓	✓	✓	✓
ø1295.2 550x380 mm	✓						✓	✓	✓	✓	✓	✓
ø1295.3 600x380 mm	✓						✓	✓	✓	✓	✓	✓
ø1296.2 420x420 mm	✓						✓	✓	✓	✓	✓	✓
ø1296.4 520x390 mm	✓						✓	✓	✓	✓	✓	✓
ø1395.1 560x440 mm	✓						✓					
ø1396.1 560x440 mm	✓						✓					
ø1695.2 600x400 mm	✓						✓	✓	✓	✓	✓	✓
ø1795.1 550x480 mm	✓						✓	✓	✓	✓	✓	✓
ø1795.2 600x480 mm	✓						✓	✓	✓	✓	✓	✓
ø1795.3 650x480 mm	✓						✓	✓	✓	✓	✓	✓
Living City												
ø1143.0 450x380 mm	✓						✓	✓	✓	✓	✓	✓
ø1143.1 500x425 mm	✓						✓	✓	✓	✓	✓	✓
ø1143.2 600x425 mm	✓						✓	✓	✓	✓	✓	✓
ø1743.2 500x460 mm	✓						✓	✓	✓	✓	✓	✓
ø1743.4 600x460 mm	✓						✓	✓	✓	✓	✓	✓
ø1743.7 800x470 mm	✓						✓*	✓*	✓*	✓*	✓*	✓*
ø1843.8 1000x470 mm	✓											
Living Saphir- Keramik												
ø1143.3 360x360 mm	✓						✓	✓	✓	✓	✓	✓
ø1143.4 600x340 mm	✓						✓	✓	✓	✓	✓	✓
ø1143.5 380x380 mm	✓						✓	✓	✓	✓	✓	✓
Living Square												
ø1543.5 500x380 mm	✓						✓					
ø1643.2 650x480 mm	✓						✓					
ø1643.4 900x480 mm	✓											

✓* = Combination only with washtop from width 1787 mm.

**Matrix for washtops 1581 mm / 1787 mm
without and with drawer elements**


POSSIBLE COMBINATIONS WITH WASHBASINS LAUFEN PRO, LIVING CITY, LIVING SAPHIRKERAMIK, LIVING SQUARE

Washtop Ceramic												
Laufen Pro												
ø1195.2 450x340 mm	✓	✓	✓	✓	✓	✓	✓	✓	✓	✓	✓	✓
ø1295.2 550x380 mm	✓	✓	✓	✓	✓	✓	✓	✓	✓	✓	✓	✓
ø1295.3 600x380 mm	✓	✓	✓	✓	✓	✓	✓	✓	✓	✓	✓	✓
ø1296.2 420x420 mm	✓	✓	✓	✓	✓	✓	✓	✓	✓	✓	✓	✓
ø1296.4 520x390 mm	✓	✓	✓	✓	✓	✓	✓	✓	✓	✓	✓	✓
ø1395.1 560x440 mm	✓		✓				✓	✓				
ø1396.1 560x440 mm	✓		✓				✓	✓				
ø1695.2 600x400 mm	✓	✓	✓	✓	✓	✓	✓	✓	✓	✓	✓	✓
ø1795.1 550x480 mm	✓	✓	✓	✓	✓	✓	✓	✓	✓	✓	✓	✓
ø1795.2 600x480 mm	✓	✓	✓	✓	✓	✓	✓	✓	✓	✓	✓	✓
ø1795.3 650x480 mm	✓	✓	✓	✓	✓	✓	✓	✓	✓	✓	✓	✓
Living City												
ø1143.0 450x380 mm	✓	✓	✓	✓	✓	✓	✓	✓	✓	✓	✓	✓
ø1143.1 500x425 mm	✓	✓	✓	✓	✓	✓	✓	✓	✓	✓	✓	✓
ø1143.2 600x425 mm	✓	✓	✓	✓	✓	✓	✓	✓	✓	✓	✓	✓
ø1743.2 500x460 mm	✓	✓	✓	✓	✓	✓	✓	✓	✓	✓	✓	✓
ø1743.4 600x460 mm	✓	✓	✓	✓	✓	✓	✓	✓	✓	✓	✓	✓
ø1743.7 800x470 mm	✓	✓*	✓	✓*	✓*	✓*	✓	✓	✓*	✓*	✓*	✓*
ø1843.8 1000x470 mm												
Living Saphir- Keramik												
ø1143.3 360x360 mm	✓	✓	✓	✓	✓	✓	✓	✓	✓	✓	✓	✓
ø1143.4 600x340 mm	✓	✓	✓	✓	✓	✓	✓	✓	✓	✓	✓	✓
ø1143.5 380x380 mm	✓	✓	✓	✓	✓	✓	✓	✓	✓	✓	✓	✓
Living Square												
ø1543.5 500x380 mm	✓		✓				✓	✓				
ø1643.2 650x480 mm	✓		✓				✓	✓				
ø1643.4 900x480 mm	✓		top 1581 mm with drawer 595 mm top 1787 mm with drawer 790 mm				✓	top 1581 mm with drawer 595 mm top 1787 mm with drawer 790 mm				

✓* = Combination only with washtop from width 1787 mm.

**Matrix for washtops 1581 mm / 1787 mm
without and with drawer elements**


POSSIBLE COMBINATIONS WITH WASHBASINS PALOMBA COLLECTION, VAL

Washtop												
Ceramic												
Palomba Collection												
ø1680.1 900x420 mm	✓	✓	✓	✓	✓	✓						
ø1680.2 520x380 mm	✓		✓				✓	✓	✓	✓	✓	✓
ø1680.3 600x400 mm	✓						✓	✓	✓	✓	✓	✓
Val												
ø1228.1 500x400 mm	✓						✓	✓	✓	✓	✓	✓
ø1228.2 550x360 mm	✓						✓	✓	✓	✓	✓	✓
ø1328.1 400x425 mm	✓						✓	✓	✓	✓	✓	✓
ø1628.0 450x420 mm	✓						✓	✓	✓	✓	✓	✓
ø1628.2 550x420 mm	✓						✓	✓	✓	✓	✓	✓
ø1628.3 600x420 mm	✓						✓	✓	✓	✓	✓	✓
ø1628.4 650x420 mm	✓						✓	✓	✓	✓	✓	✓
ø1628.5 750x420 mm	✓						✓*	✓*	✓*	✓*	✓*	✓*
ø1628.7 950x420 mm	✓											
ø1628.8 530x400 mm	✓						✓	✓	✓	✓	✓	✓
ø1728.1 550x360 mm	✓						✓	✓	✓	✓	✓	✓

✓* = Combination only with washtop from width 1787 mm.

**Matrix for washtops 1581 mm / 1787 mm
without and with drawer elements**

POSSIBLE COMBINATIONS WITH WASHBASINS PALOMBA COLLECTION, VAL

Washtop												
Ceramic												
Palomba Collection												
ø1680.1 900x420 mm	✓	✓	✓	✓	✓	✓						
ø1680.2 520x380 mm	✓	✓	✓	✓	✓	✓	✓	✓	✓	✓	✓	✓
ø1680.3 600x400 mm	✓	✓	✓	✓	✓	✓	✓	✓	✓	✓	✓	✓
Val												
ø1228.1 500x400 mm	✓	✓	✓	✓	✓	✓	✓	✓	✓	✓	✓	✓
ø1228.2 550x360 mm	✓	✓	✓	✓	✓	✓	✓	✓	✓	✓	✓	✓
ø1328.1 400x425 mm	✓	✓	✓	✓	✓	✓	✓	✓	✓	✓	✓	✓
ø1628.0 450x420 mm	✓	✓	✓	✓	✓	✓	✓	✓	✓	✓	✓	✓
ø1628.2 550x420 mm	✓	✓	✓	✓	✓	✓	✓	✓	✓	✓	✓	✓
ø1628.3 600x420 mm	✓	✓	✓	✓	✓	✓	✓	✓	✓	✓	✓	✓
ø1628.4 650x420 mm	✓	✓	✓	✓	✓	✓	✓	✓	✓	✓	✓	✓
ø1628.5 750x420 mm	possible but not recommended	possible but not recommended	possible but not recommended	possible but not recommended	possible but not recommended	possible but not recommended	possible but not recommended	possible but not recommended	possible but not recommended	possible but not recommended	possible but not recommended	possible but not recommended
ø1628.7 950x420 mm	possible but not recommended	possible but not recommended	possible but not recommended	possible but not recommended	possible but not recommended	possible but not recommended	possible but not recommended	possible but not recommended	possible but not recommended	possible but not recommended	possible but not recommended	possible but not recommended
ø1628.8 530x400 mm	✓	✓	✓	✓	✓	✓	✓	✓	✓	✓	✓	✓
ø1728.1 550x360 mm	✓	✓	✓	✓	✓	✓	✓	✓	✓	✓	✓	✓

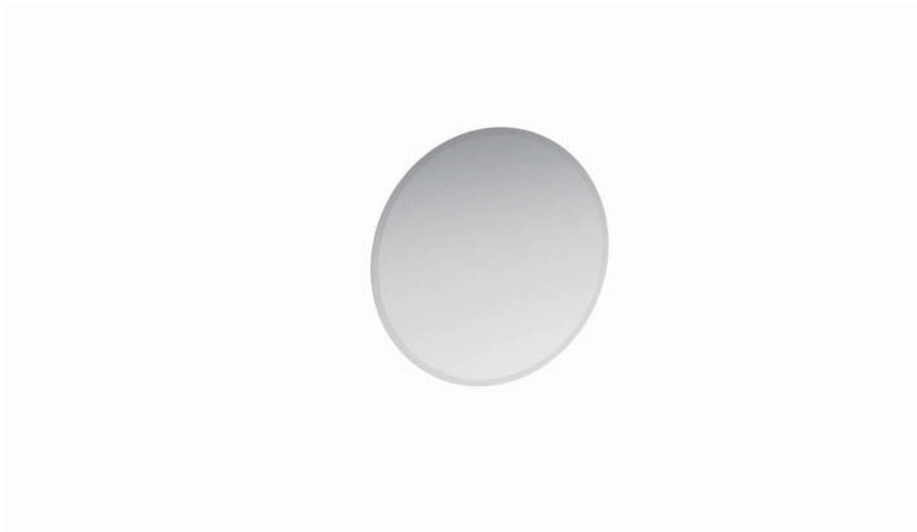
FRAME 25 MIRROR

FRAME 25 MIRROR

Mirror without / with LED Ambient light

44743.0

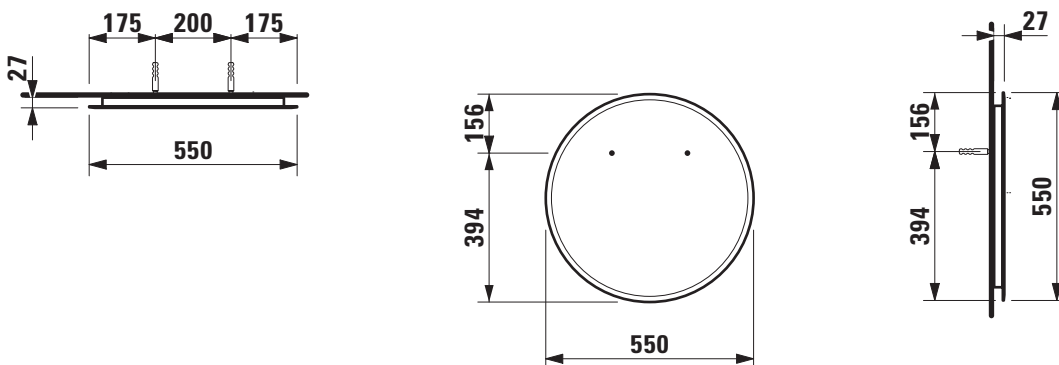
44743.1



TECHNICAL DATA

Order no.	44743.0 / mirror 44743.1 / mirror with ambient light	Mounting information	The fortification walls must meet the requirements of the furniture in terms of weight and the supplied fasteners. This can not be guaranteed, another method of attachment is chosen. 230V power supply required (only for mirror with ambient light).
Certified to	IP44 / 44743.1		
Dimensions (WxHxD)	550 x 550 x 27 mm		
Specification	Mirror glass 4 mm with security foil on the back side Wall bracket – Aluminum Mirror with ambient light: hardwired for room switch 4000 Kelvin, IP44, 230V		
Weight	44743.0 – 2,7 kg		
Mounting acc. incl.	Installation set for mirror, order no. 49628.0		

TECHNICAL DRAWINGS / S 1 : 20



FRAME 25 MIRROR

Mirror without / with LED Ambient light

44743.2

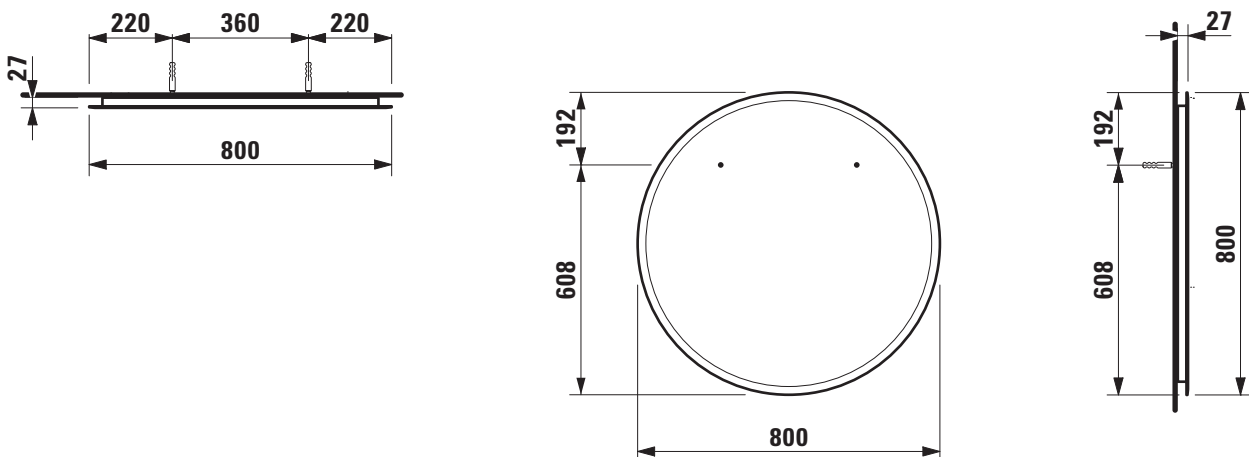
44743.3



TECHNICAL DATA

Order no.	44743.2 / mirror 44743.3 / mirror with ambient light	Mounting information	The fortification walls must meet the requirements of the furniture in terms of weight and the supplied fasteners. This can not be guaranteed, another method of attachment is chosen. 230V power supply required (only for mirror with ambient light).
Certified to	IP44 / 44743.3		
Dimensions (WxHxD)	550 x 550 x 27 mm		
Specification	Mirror glass 4 mm with security foil on the back side Wall bracket – Aluminum Mirror with ambient light: hardwired for room switch 4000 Kelvin, IP44, 230V		
Weight	44743.2 – 5,5 kg		
Mounting acc. incl.	Installation set for mirror, order no. 49628.0		

TECHNICAL DRAWINGS / S 1 : 20



FRAME 25 MIRROR

Mirror without light

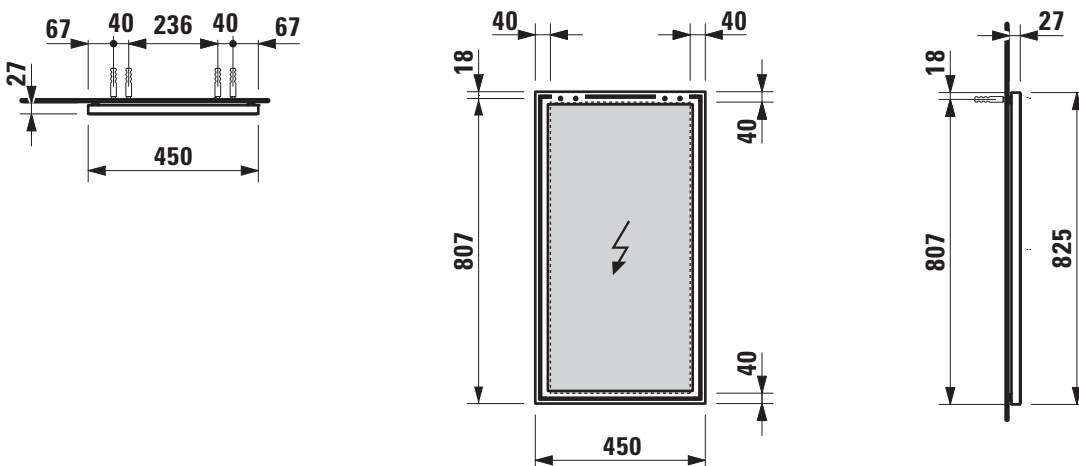
44740.0



TECHNICAL DATA

Order no.	44740.0	Mounting information	The fortification walls must meet the requirements of the furniture in terms of weight and the supplied fasteners. This can not be guaranteed, another method of attachment is chosen.
Dimensions (WxHxD)	450 x 825 x 23 mm (+4 mm gap to wall)		
Specification	Mirror glass 4 mm with security foil on the back side, integrated in aluminum frame		
Weight	5,5 kg		230V power supply required (only for mirror with light element).
Accessoires excl.	Light element, anodized aluminum, (only in connection with frame colour option 144), fixation with integrated non hinge system horizontal: without switch, order no. 44745.1 with sensor switch integrated in the mirror frame (bottom side), order no. 44745.2 Light element horizontal, black matt (only in connection with frame colour option 450), fixation directly on the mirror frame hardwired for room switch, order no. 44756.3	Colours frame	144 – Anodized aluminum 450 – Black matt
Mounting acc. incl.	Installation set for mirror, order no. 49831.5		

TECHNICAL DRAWINGS / S 1 : 20



FRAME 25 MIRROR

Mirror without light

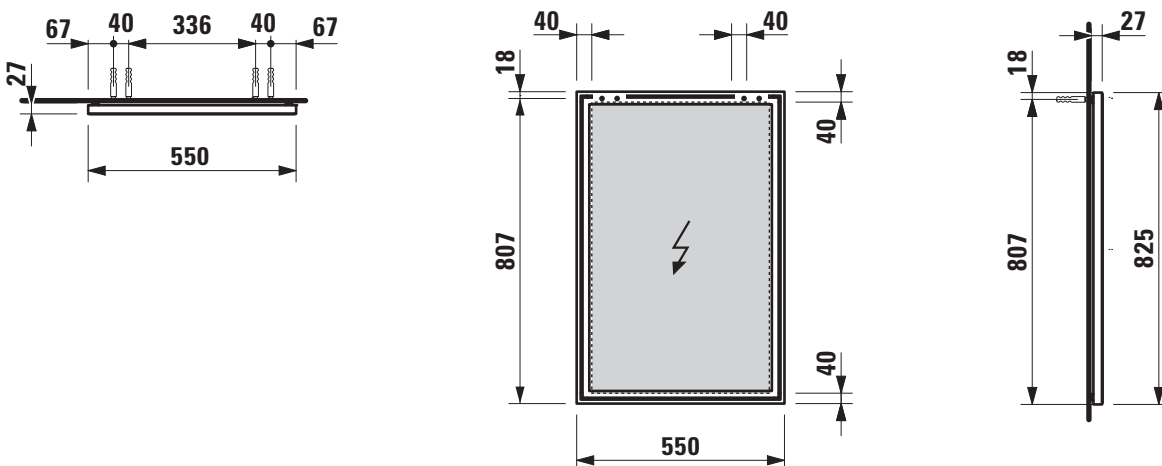
44740.1



TECHNICAL DATA

Order no.	44740.1	Mounting information	The fortification walls must meet the requirements of the furniture in terms of weight and the supplied fasteners. This can not be guaranteed, another method of attachment is chosen.
Dimensions (WxHxD)	550 x 825 x 23 mm (+4 mm gap to wall)		230V power supply required (only for mirror with light element).
Specification	Mirror glass 4 mm with security foil on the back side, integrated in aluminum frame	Colours frame	144 – Anodized aluminum 450 – Black matt
Weight	6,0 kg		
Accessoires excl.	Light element, anodized aluminum, (only in connection with frame colour option 144), fixation with integrated non hinge system horizontal: without switch, order no. 44746.1 with sensor switch integrated in the mirror frame (bottom side), order no. 44746.2 Light element horizontal, black matt (only in connection with frame colour option 450), fixation directly on the mirror frame hardwired for room switch, order no. 44756.3		
Mounting acc. incl.	Installation set for mirror, order no. 49831.5		

TECHNICAL DRAWINGS / S 1 : 20



FRAME 25 MIRROR

Mirror without light

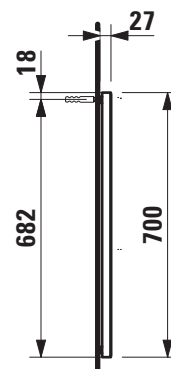
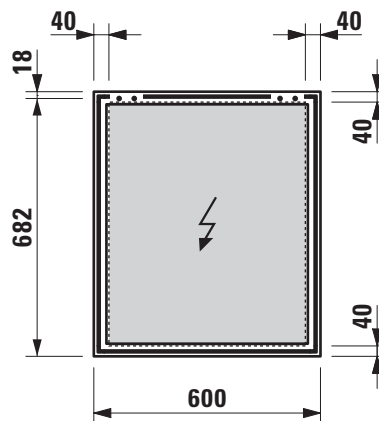
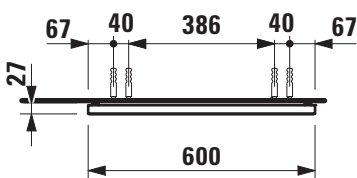
44740.2



TECHNICAL DATA

Order no.	44740.2	Accessoires excl.	Light element horizontal, black matt (only in connection with frame colour option 450), fixation directly on the mirror frame hardwired for room switch, order no. 44756.3, 44756.4
Dimensions (WxHxD)	600 x 700 x 23 mm (+4 mm gap to wall)	Mounting acc. incl.	Installation set for mirror, order no. 49831.5
Specification	Mirror glass 4 mm with security foil on the back side, integrated in aluminum frame	Mounting information	The fortification walls must meet the requirements of the furniture in terms of weight and the supplied fasteners. This can not be guaranteed, another method of attachment is chosen. 230V power supply required (only for mirror with light element).
Weight	6,0 kg	Colours frame	144 – Anodized aluminum 450 – Black matt
Accessoires excl.	Light element, anodized aluminum, (only in connection with frame colour option 144), fixation with integrated non hinge system horizontal: without switch, order no. 44747.1 with sensor switch integrated in the mirror frame (bottom side), order no. 44747.2 vertical: without switch, order no. 44757.1 with sensor switch integrated in the mirror frame (bottom side), order no. 44757.2		

TECHNICAL DRAWINGS / S 1 : 20



FRAME 25 MIRROR

Mirror without light

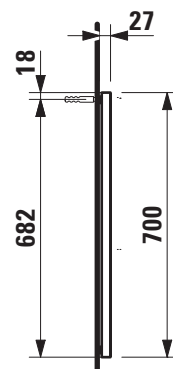
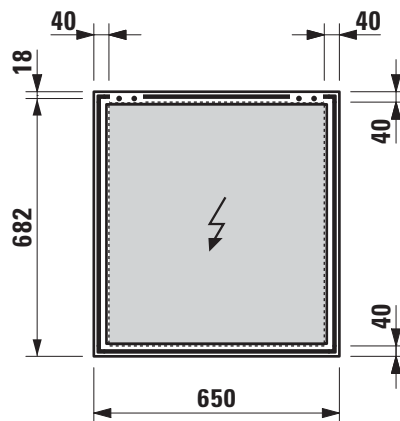
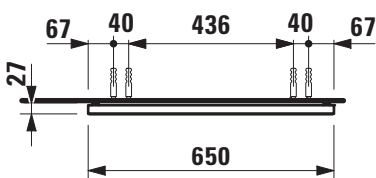
44740.3



TECHNICAL DATA

Order no.	44740.3	Accessoires excl.	Light element horizontal, black matt (only in connection with frame colour option 450), fixation directly on the mirror frame hardwired for room switch, order no. 44756.3, 44756.4
Dimensions (WxHxD)	650 x 700 x 23 mm (+4 mm gap to wall)	Mounting acc. incl.	Installation set for mirror, order no. 49831.5
Specification	Mirror glass 4 mm with security foil on the back side, integrated in aluminum frame	Mounting information	The fortification walls must meet the requirements of the furniture in terms of weight and the supplied fasteners. This can not be guaranteed, another method of attachment is chosen. 230V power supply required (only for mirror with light element).
Weight	6,5 kg	Colours frame	144 – Anodized aluminum 450 – Black matt
Accessoires excl.	Light element, anodized aluminum, (only in connection with frame colour option 144), fixation with integrated non hinge system horizontal: without switch, order no. 44748.1 with sensor switch integrated in the mirror frame (bottom side), order no. 44748.2 vertical: without switch, order no. 44757.1 with sensor switch integrated in the mirror frame (bottom side), order no. 44757.2		

TECHNICAL DRAWINGS / S 1 : 20



FRAME 25 MIRROR

Mirror without light

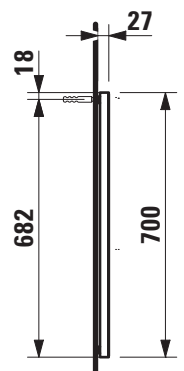
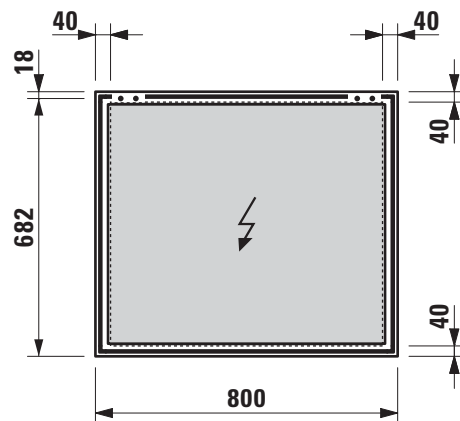
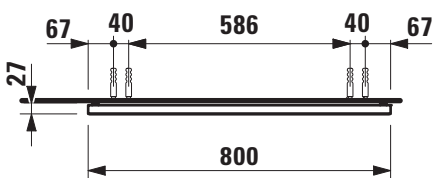
44740.4



TECHNICAL DATA

Order no.	44740.4	Accessoires excl.	Light element horizontal, black matt (only in connection with frame colour option 450), fixation directly on the mirror frame
Dimensions (WxHxD)	800 x 700 x 23 mm (+4 mm gap to wall)		hardwired for room switch, order no. 44756.3, 44756.4, 44756.5
Specification	Mirror glass 4 mm with security foil on the back side, integrated in aluminum frame	Mounting acc. incl.	Installation set for mirror, order no. 49831.5
Weight	8,0 kg	Mounting information	The fortification walls must meet the requirements of the furniture in terms of weight and the supplied fasteners. This can not be guaranteed, another method of attachment is chosen. 230V power supply required (only for mirror with light element).
Accessoires excl.	Light element, anodized aluminum, (only in connection with frame colour option 144), fixation with integrated non hinge system horizontal: without switch, order no. 44749.1 with sensor switch integrated in the mirror frame (bottom side), order no. 44749.2 vertical: without switch, order no. 44757.1 with sensor switch integrated in the mirror frame (bottom side), order no. 44757.2	Colours frame	144 – Anodized aluminum 450 – Black matt

TECHNICAL DRAWINGS / S 1 : 20



FRAME 25 MIRROR

Mirror without light

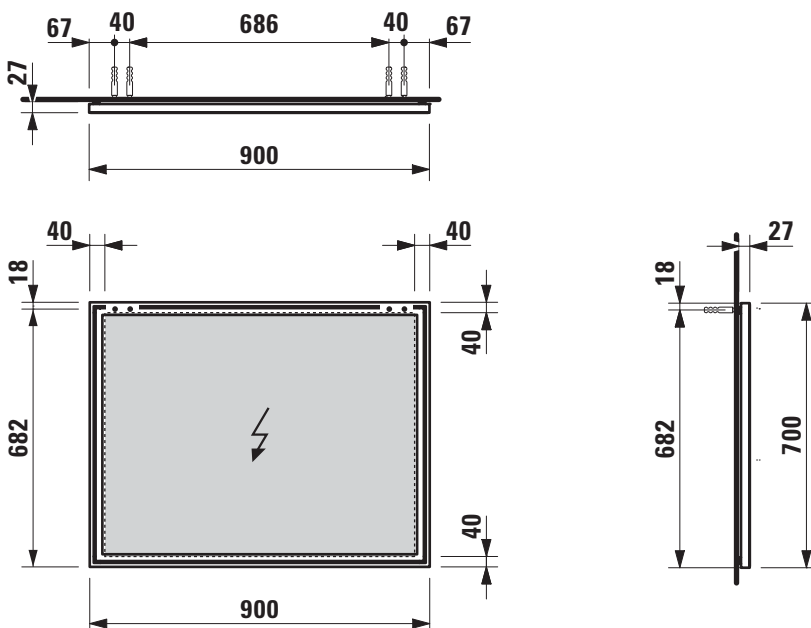
44740.5



TECHNICAL DATA

Order no.	44740.5	Accessoires excl.	Light element horizontal, black matt (only in connection with frame colour option 450), fixation directly on the mirror frame
Dimensions (WxHxD)	900 x 700 x 23 mm (+4 mm gap to wall)		hardwired for room switch, order no. 44756.3, 44756.4, 44756.5
Specification	Mirror glass 4 mm with security foil on the back side, integrated in aluminum frame	Mounting acc. incl.	Installation set for mirror, order no. 49831.5
Weight	8,5 kg	Mounting information	The fortification walls must meet the requirements of the furniture in terms of weight and the supplied fasteners. This can not be guaranteed, another method of attachment is chosen. 230V power supply required (only for mirror with light element).
Accessoires excl.	Light element, anodized aluminum, (only in connection with frame colour option 144), fixation with integrated non hinge system horizontal: without switch, order no. 44750.1 with sensor switch integrated in the mirror frame (bottom side), order no. 44750.2 vertical: without switch, order no. 44757.1 with sensor switch integrated in the mirror frame (bottom side), order no. 44757.2	Colours frame	144 – Anodized aluminum 450 – Black matt

TECHNICAL DRAWINGS / S 1 : 20



FRAME 25 MIRROR

Mirror without light

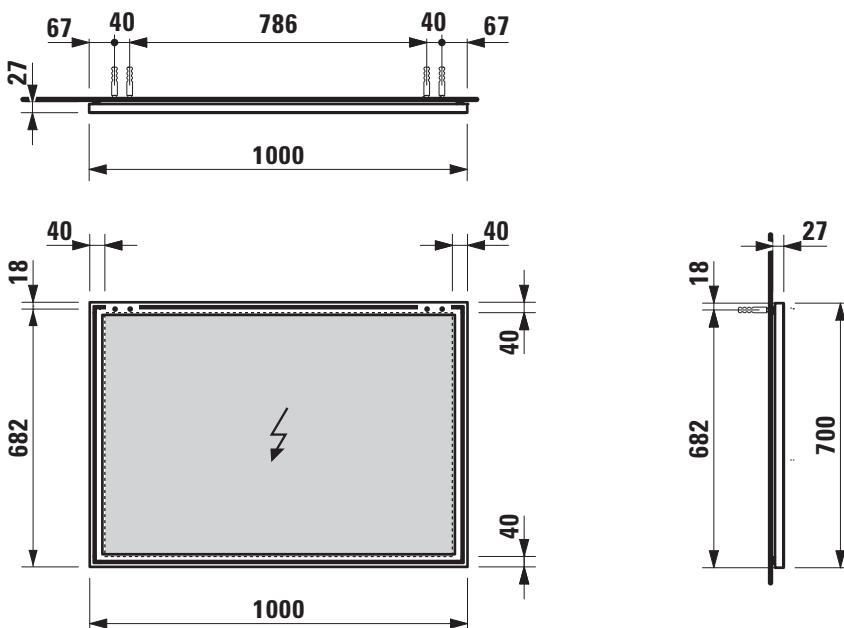
44740.6



TECHNICAL DATA

Order no.	44740.6	Accessoires excl.	Light element horizontal, black matt (only in connection with frame colour option 450), fixation directly on the mirror frame
Dimensions (WxHxD)	1000 x 700 x 23 mm (+4 mm gap to wall)		hardwired for room switch, order no. 44756.3, 44756.4, 44756.5
Specification	Mirror glass 4 mm with security foil on the back side, integrated in aluminum frame	Mounting acc. incl.	Installation set for mirror, order no. 49831.5
Weight	9,5 kg	Mounting information	The fortification walls must meet the requirements of the furniture in terms of weight and the supplied fasteners. This can not be guaranteed, another method of attachment is chosen. 230V power supply required (only for mirror with light element).
Accessoires excl.	Light element, anodized aluminum, (only in connection with frame colour option 144), fixation with integrated non hinge system horizontal: without switch, order no. 44751.1 with sensor switch integrated in the mirror frame (bottom side), order no. 44751.2 vertical: without switch, order no. 44757.1 with sensor switch integrated in the mirror frame (bottom side), order no. 44757.2	Colours frame	144 – Anodized aluminum 450 – Black matt

TECHNICAL DRAWINGS / S 1 : 20



FRAME 25 MIRROR

Mirror without light

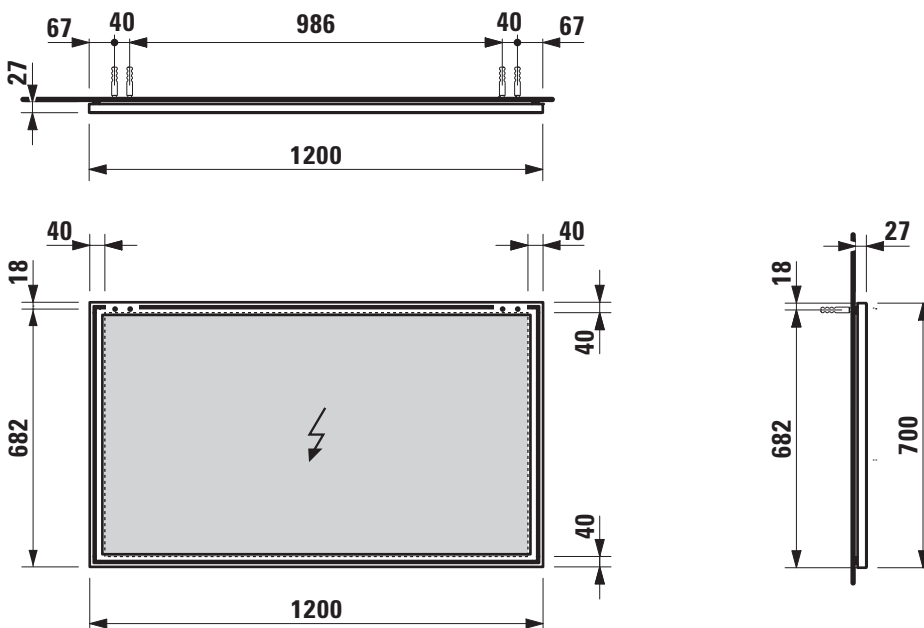
44740.7



TECHNICAL DATA

Order no.	44740.7	Accessoires excl.	Light element horizontal, black matt (only in connection with frame colour option 450), fixation directly on the mirror frame
Dimensions (WxHxD)	1200 x 700 x 23 mm (+4 mm gap to wall)		hardwired for room switch, order no. 44756.3, 44756.4, 44756.5
Specification	Mirror glass 4 mm with security foil on the back side, integrated in aluminum frame	Mounting acc. incl.	Installation set for mirror, order no. 49831.5
Weight	11,5 kg	Mounting information	The fortification walls must meet the requirements of the furniture in terms of weight and the supplied fasteners. This can not be guaranteed, another method of attachment is chosen. 230V power supply required (only for mirror with light element).
Accessoires excl.	Light element, anodized aluminum, (only in connection with frame colour option 144), fixation with integrated non hinge system horizontal: without switch, order no. 44752.1 with sensor switch integrated in the mirror frame (bottom side), order no. 44752.2 vertical: without switch, order no. 44757.1 with sensor switch integrated in the mirror frame (bottom side), order no. 44757.2	Colours frame	144 – Anodized aluminum 450 – Black matt

TECHNICAL DRAWINGS / S 1 : 20



FRAME 25 MIRROR

Mirror without light

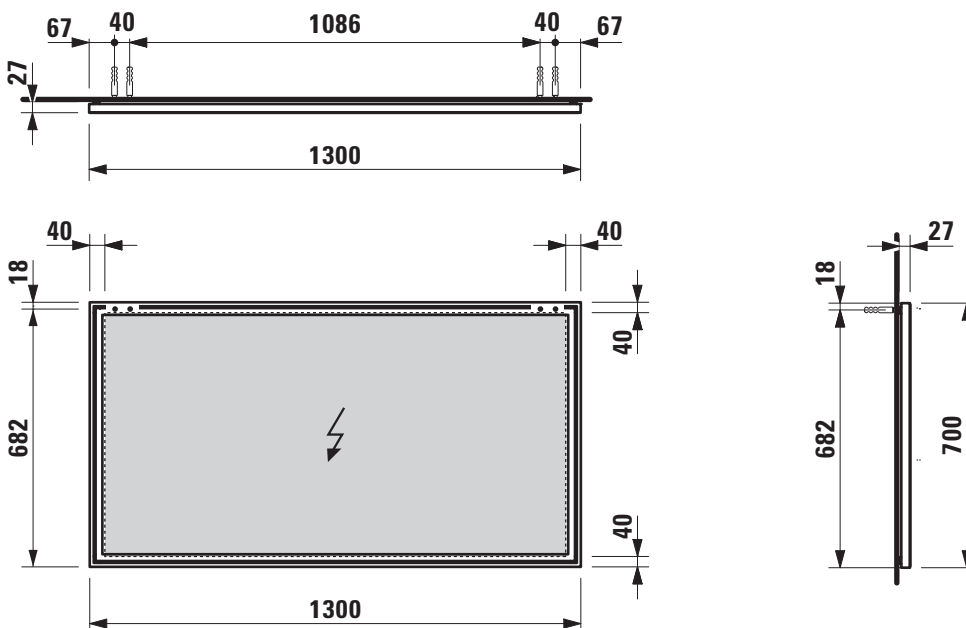
44740.8



TECHNICAL DATA

Order no.	44740.8	Accessoires excl.	Light element horizontal, black matt (only in connection with frame colour option 450), fixation directly on the mirror frame
Dimensions (WxHxD)	1300 x 700 x 23 mm (+4 mm gap to wall)		hardwired for room switch, order no. 44756.3, 44756.4, 44756.5
Specification	Mirror glass 4 mm with security foil on the back side, integrated in aluminum frame	Mounting acc. incl.	Installation set for mirror, order no. 49831.5
Weight	2,5 kg	Mounting information	The fortification walls must meet the requirements of the furniture in terms of weight and the supplied fasteners. This can not be guaranteed, another method of attachment is chosen. 230V power supply required (only for mirror with light element).
Accessoires excl.	Light element, anodized aluminum, (only in connection with frame colour option 144), fixation with integrated non hinge system horizontal: without switch, order no. 44753.1 with sensor switch integrated in the mirror frame (bottom side), order no. 44753.2 vertical: without switch, order no. 44757.1 with sensor switch integrated in the mirror frame (bottom side), order no. 44757.2	Colours frame	144 – Anodized aluminum 450 – Black matt

TECHNICAL DRAWINGS / S 1 : 20



FRAME 25 MIRROR

Mirror without light

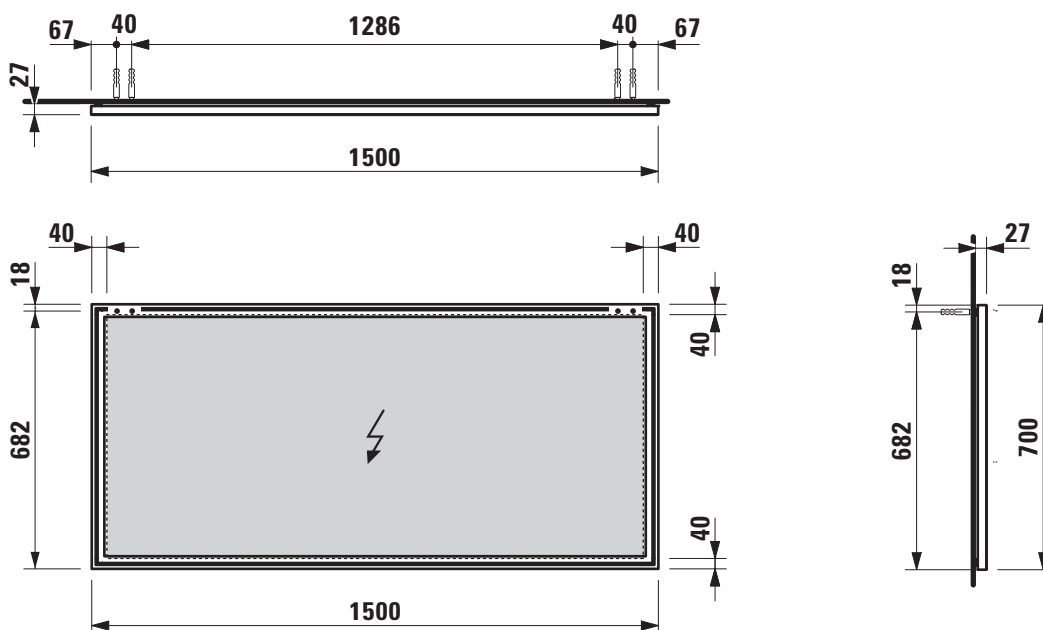
44740.9



TECHNICAL DATA

Order no.	44740.9	Accessoires excl.	Light element horizontal, black matt (only in connection with frame colour option 450), fixation directly on the mirror frame
Dimensions (WxHxD)	1500 x 700 x 23 mm (+4 mm gap to wall)		hardwired for room switch, order no. 44756.3, 44756.4, 44756.5
Specification	Mirror glass 4 mm with security foil on the back side, integrated in aluminum frame	Mounting acc. incl.	Installation set for mirror, order no. 49831.5
Weight	14,0 kg	Mounting information	The fortification walls must meet the requirements of the furniture in terms of weight and the supplied fasteners. This can not be guaranteed, another method of attachment is chosen. 230V power supply required (only for mirror with light element).
Accessoires excl.	Light element, anodized aluminum, (only in connection with frame colour option 144), fixation with integrated non hinge system horizontal: without switch, order no. 44754.1 with sensor switch integrated in the mirror frame (bottom side), order no. 44754.2 vertical: without switch, order no. 44757.1 with sensor switch integrated in the mirror frame (bottom side), order no. 44757.2	Colours frame	144 – Anodized aluminum 450 – Black matt

TECHNICAL DRAWINGS / S 1 : 20



FRAME 25 MIRROR

Mirror without light

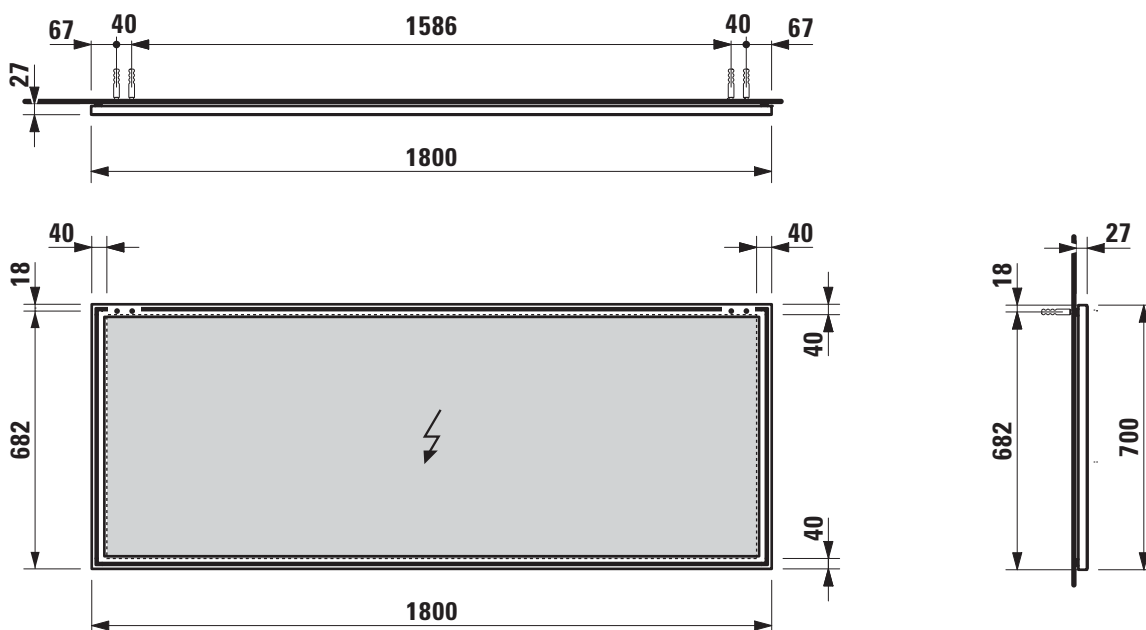
44741.0



TECHNICAL DATA

Order no.	44741.0	Accessoires excl.	Light element horizontal, black matt (only in connection with frame colour option 450), fixation directly on the mirror frame
Dimensions (WxHxD)	1800 x 700 x 23 mm (+4 mm gap to wall)		hardwired for room switch, order no. 44756.3, 44756.4, 44756.5
Specification	Mirror glass 4 mm with security foil on the back side, integrated in aluminum frame	Mounting acc. incl.	Installation set for mirror, order no. 49831.5
Weight	16,5 kg	Mounting information	The fortification walls must meet the requirements of the furniture in terms of weight and the supplied fasteners. This can not be guaranteed, another method of attachment is chosen. 230V power supply required (only for mirror with light element).
Accessoires excl.	Light element, anodized aluminum, (only in connection with frame colour option 144), fixation with integrated non hinge system horizontal: without switch, order no. 44755.1 with sensor switch integrated in the mirror frame (bottom side), order no. 44755.2 vertical: without switch, order no. 44757.1 with sensor switch integrated in the mirror frame (bottom side), order no. 44757.2	Colours frame	144 – Anodised aluminum 450 – Black matt

TECHNICAL DRAWINGS / S 1 : 20



FRAME 25 MIRROR

LED light element horizontal for mirror without / with sensor switch

44745.1 / 44745.2

44746.1 / 44746.2

44747.1 / 44747.2

44748.1 / 44748.2

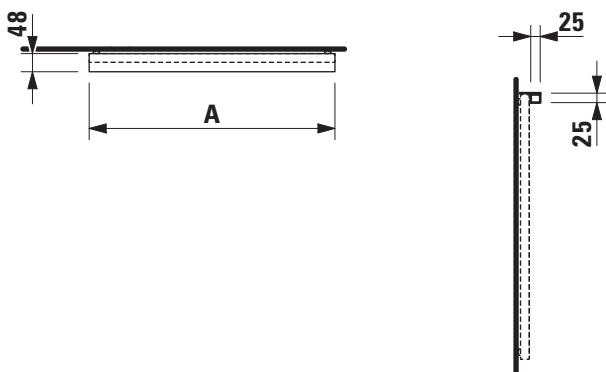
44749.1 / 44749.2



TECHNICAL DATA

Order no.	44745.1, 44746.1, 44747.1, 44748.1, 44749.1 / without switch 44745.2, 44746.2, 44747.2, 44748.2, 44749.2 / with sensor switch	Weight	44745.1, 44745.2 – 1,5 kg 44746.1, 44746.2 – 1,5 kg 44747.1, 44747.2 – 1,5 kg 44748.1, 44748.2 – 1,5 kg 44749.1, 44749.2 – 1,5 kg
Certified to	IP44	Mounting information	230V power supply required
Dimensions (WxHxD)	450 x 25 x 25 mm / 44745.1, 44745.2 550 x 25 x 25 mm / 44746.1, 44746.2 600 x 25 x 25 mm / 44747.1, 44747.2 650 x 25 x 25 mm / 44748.1, 44748.2 800 x 25 x 25 mm / 44749.1, 44749.2	Colour	007 – Anodised aluminum
matching for	mirror 44740.0, 44740.1, 44740.2, 44740.3, 44740.4 only in connection with frame colour option 144		
Specification	LED light element – Anodized aluminum Fixation with integrated non hinge system without switch 1x 12W, 4000 Kelvin (daylight), IP44, 230V with sensor switch integrated in the mirror aluminum frame (bottom side) 1x 12W, 4000 Kelvin (daylight), IP44, 230V		

TECHNICAL DRAWINGS / S 1 : 20



A / mm	
450	Frame 25 light element 44745.1, 44745.2
550	Frame 25 light element 44746.1, 44746.2
600	Frame 25 light element 44747.1, 44747.2
650	Frame 25 light element 44748.1, 44748.2
800	Frame 25 light element 44749.1, 44749.2

FRAME 25 MIRROR

LED light element horizontal for mirror without / with sensor switch

44750.1 / 44750.2

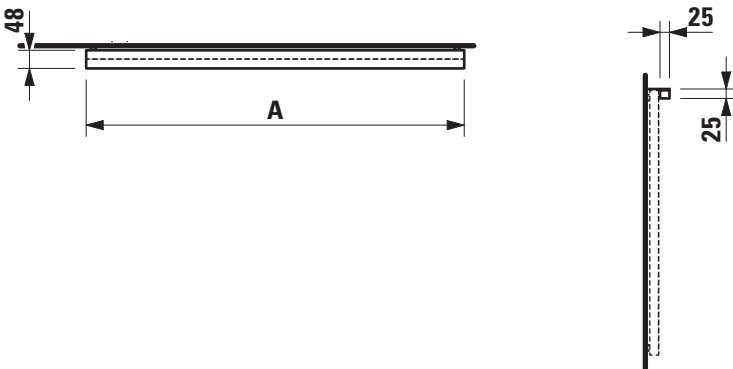
44751.1 / 44751.2



TECHNICAL DATA

Order no.	44750.1, 44751.1 / without switch 44750.2, 44751.2 / with sensor switch	Weight	44750.1, 44750.2 – 2,0 kg 44751.1, 44751.2 – 2,0 kg
Certified to	IP44	Mounting information	230V power supply required
Dimensions (WxHxD)	900 x 25 x 25 mm / 44750.1, 44750.2 1000 x 25 x 25 mm / 44751.1, 44751.2	Colour	007 – Anodised aluminum
matching for	mirror 44740.5, 44740.6 only in connection with frame colour option 144		
Specification	LED light element – Anodized aluminum Fixation with integrated non hinge system without switch 1x 15W, 4000 Kelvin (daylight), IP44, 230V with sensor switch integrated in the mirror aluminum frame (bottom side) 1x 15W, 4000 Kelvin (daylight), IP44, 230V		

TECHNICAL DRAWINGS / S 1 : 20



A / mm	
900	Frame 25 light element 44750.1, 44750.2
1000	Frame 25 light element 44751.1, 44751.2

FRAME 25 MIRROR

LED light element horizontal for mirror without / with sensor switch

44752.1 / 44752.2

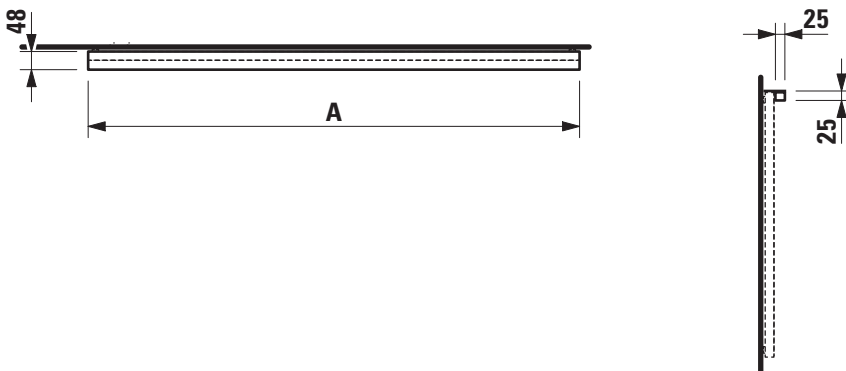
44753.1 / 44753.2



TECHNICAL DATA

Order no.	44752.1, 44753.1 / without switch 44752.2, 44753.2 / with sensor switch	Weight	44752.1, 44752.2 – 2,5 kg 44753.1, 44753.2 – 2,5 kg
Certified to	IP44	Mounting information	230V power supply required
Dimensions (WxHxD)	1200 x 25 x 25 mm / 44752.1, 44752.2 1300 x 25 x 25 mm / 44753.1, 44753.2	Colour	007 – Anodised aluminum
matching for	mirror 44740.7, 44740.8 only in connection with frame colour option 144		
Specification	LED light element – Anodized aluminum Fixation with integrated non hinge system without switch 1x 20W, 4000 Kelvin (daylight), IP44, 230V with sensor switch integrated in the mirror aluminum frame (bottom side) 1x 20W, 4000 Kelvin (daylight), IP44, 230V		

TECHNICAL DRAWINGS / S 1 : 20



A / mm	
1200	Frame 25 light element 44752.1, 44752.2
1300	Frame 25 light element 44753.1, 44753.2

FRAME 25 MIRROR

LED light element horizontal for mirror without / with sensor switch

44754.1 / 44754.2

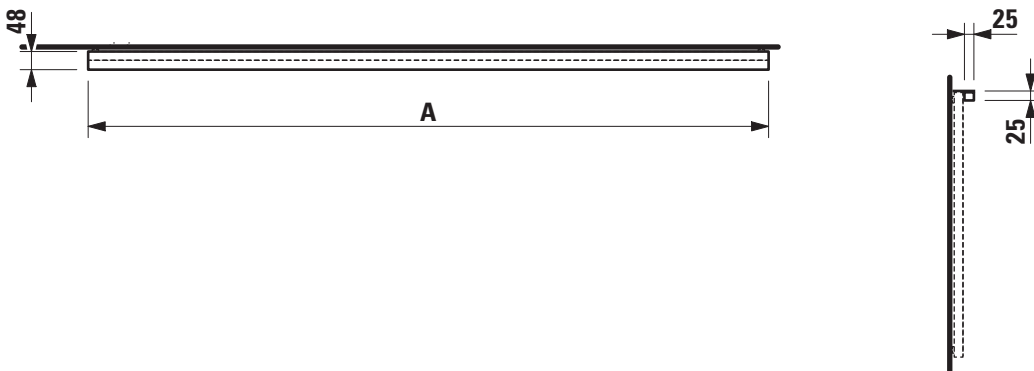
44755.1 / 44755.2



TECHNICAL DATA

Order no.	44754.1, 44755.1 / without switch 44754.2, 44755.2 / with sensor switch	Weight	44754.1, 44754.2 – 3,5 kg 44755.1, 44755.2 – 4,0 kg
Certified to	IP44	Mounting information	230V power supply required
Dimensions (WxHxD)	1500 x 25 x 25 mm / 44754.1, 44754.2 1500 x 25 x 25 mm / 44755.1, 44755.2	Colour	007 – Anodised aluminum
matching for	mirror 44740.9, 44741.0 only in connection with frame colour option 144		
Specification	LED light element – Anodized aluminum Fixation with integrated non hinge system without switch 1x 30W, 4000 Kelvin (daylight), IP44, 230V with sensor switch integrated in the mirror aluminum frame (bottom side) 1x 30W, 4000 Kelvin (daylight), IP44, 230V		

TECHNICAL DRAWINGS / S 1 : 20



A / mm	
1500	Frame 25 light element 44754.1, 44754.2
1800	Frame 25 light element 44755.1, 44755.2

FRAME 25 MIRROR

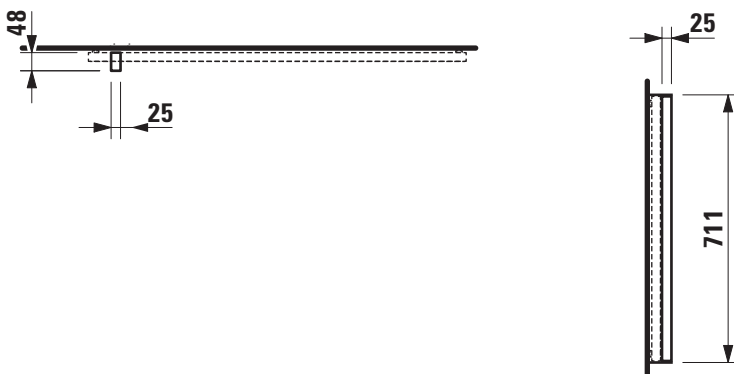
Light element vertical for mirror without / with sensor switch 44757.1 / 44757.2



TECHNICAL DATA

Order no.	44757.1 / without switch 44757.2 / with sensor switch	Weight	1,5 kg
Certified to	IP44	Mounting information	230V power supply required
Dimensions (WxHxD)	25 x 25 x 711 mm	Colour	007 – Anodised aluminum
matching for	mirror 44740.2, 44740.3, 44740.4, 44740.5, 44740.6, 44740.7, 44740.8, 44740.9, 44741.0 only in connection with frame colour option 144		
Specification	Light element – Anodized aluminum Fixation with integrated non hinge system, position is freely selectable without switch 1x 12W, 4000 Kelvin (daylight), IP44, 230V with sensor switch integrated in the mirror aluminum frame (bottom side) 1x 12W, 4000 Kelvin (daylight), IP44, 230V		

TECHNICAL DRAWINGS / S 1 : 20



FRAME 25 MIRROR

LED light element horizontal for mirror

44756.3

44756.4

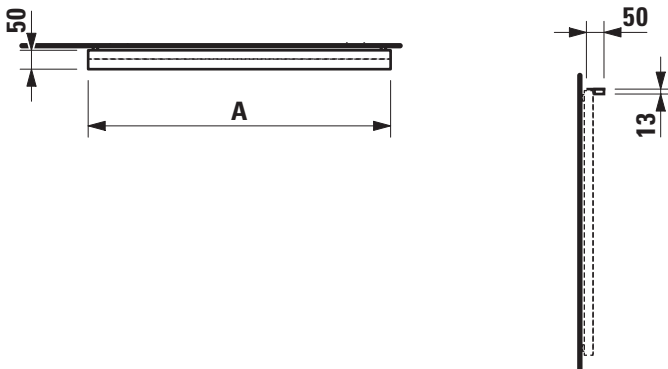
44756.5



TECHNICAL DATA

Order no.	44756.3, 44756.4, 44756.5	Mounting acc. incl.	Installation set
Certified to	IP44	Mounting information	230V power supply required
Dimensions (WxHxD)	400 x 50 x 13 mm / 44756.3 600 x 50 x 13 mm / 44756.4 800 x 50 x 13 mm / 44756.5	Colour	450 – Black matt
matching for	mirror 44740.0, 44740.1, 44740.2, 44740.3, 44740.4, 44740.5, 44740.6, 44740.7, 44740.8, 44740.9, 44741.0 only in connection with frame colour option 450		Multiple assembly is possible.
Specification	LED light element – Black matt Fixation directly on the mirror frame hardwired for room switch 4000 Kelvin (daylight), IP44, 230V		
Weight	44756.3 – 0,25 kg 44756.4 – 0,4 kg 44756.5 – 0,5 kg		

TECHNICAL DRAWINGS / S 1 : 20



A / mm	
400	Frame 25 light element 44756.3
600	Frame 25 light element 44756.4
800	Frame 25 light element 44756.5

FRAME 25 SHELF

Glass shelf with 2 wall fixations

44758.0

44758.1

44758.2

44758.3

44758.4

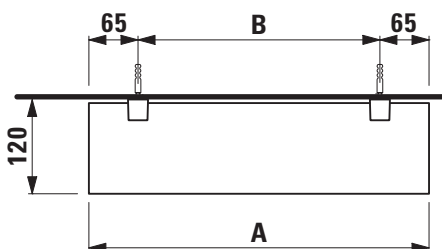
44758.5



TECHNICAL DATA

Order no.	44758.0, 44758.1, 44758.2, 44758.3, 44758.4, 44758.5	Mounting acc. incl.	2 wall fixations, order no. 49059.7
Dimensions (WxHxD)	450 x 120 x 45/10 mm / 44758.0 550 x 120 x 45/10 mm / 44758.1 600 x 120 x 45/10 mm / 44758.2 650 x 120 x 45/10 mm / 44758.3 800 x 120 x 45/10 mm / 44758.4 900 x 120 x 45/10 mm / 44758.5	Mounting acc. excl.	Set of mirror fixation adapter for glass shelf (2 pieces), order no. 49071.7 (only suitable for Frame 25 without or with horizontal light)
matching for	mirror 44740.0, 44740.1, 44740.2, 44740.3, 44740.4, 44740.5	Colour	000 – Glass with fixation set chrome 450 – Glass with fixation set black matt
Specification	Shelf – Security glass 10 mm Wall fixation – Aluminum max. load 12,0 kg		
Weight	44758.0 – 2,8 kg 44758.1 – 3,1 kg 44758.2 – 3,2 kg 44758.3 – 3,4 kg 44758.4 – 3,9 kg 44758.5 – 4,1 kg		

TECHNICAL DRAWINGS / S 1 : 20



A / mm	B / mm	
450	320	Frame 25 glass shelf 44758.0
550	420	Frame 25 glass shelf 44758.1
600	470	Frame 25 glass shelf 44758.2
650	520	Frame 25 glass shelf 44758.3
800	670	Frame 25 glass shelf 44758.4
900	770	Frame 25 glass shelf 44758.5

FRAME 25 SHELF

Glass shelf with 3 wall fixations

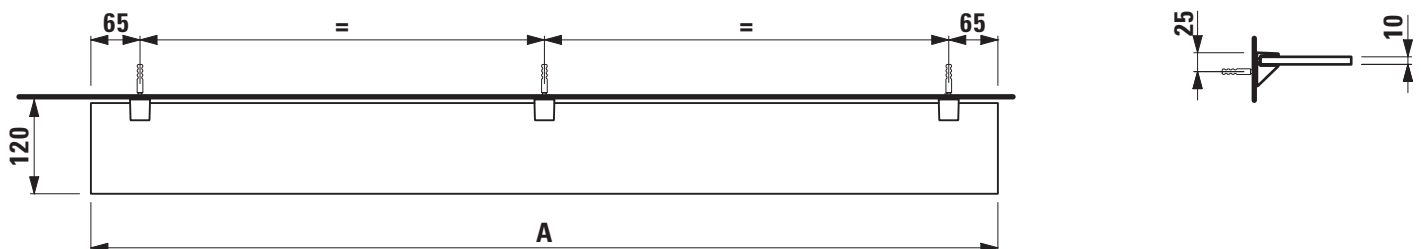
44758.6
44758.7
44758.8
44758.9
44759.0



TECHNICAL DATA

Order no.	44758.6, 44758.7, 44758.8, 44758.9	Mounting acc. excl.	Set of mirror fixation adapter for glass shelf (3 pieces), order no. 49071.8 (only suitable for Frame 25 without or with horizontal light)
Dimensions (WxHxD)	1000 x 120 x 45/10 mm / 44758.6 1200 x 120 x 45/10 mm / 44758.7 1300 x 120 x 45/10 mm / 44758.8 1500 x 120 x 45/10 mm / 44758.9 1800 x 120 x 45/10 mm / 44759.0	Colour	000 – Glass with fixation set chrome 450 – Glass with fixation set black matt
matching for	mirror 44740.6, 44740.7, 44740.8, 44740.9, 44741.0		
Specification	Shelf – Security glass 10 mm Wall fixation – Anluminum max. load 18,0 kg		
Weight	44758.6 – 5,1 kg 44758.7 – 5,7 kg 44758.8 – 6,1 kg 44758.9 – 6,9 kg 44759.0 – 7,6 kg		
Mounting acc. incl.	3 wall fixations, order no. 49059.8		

TECHNICAL DRAWINGS / S 1 : 20



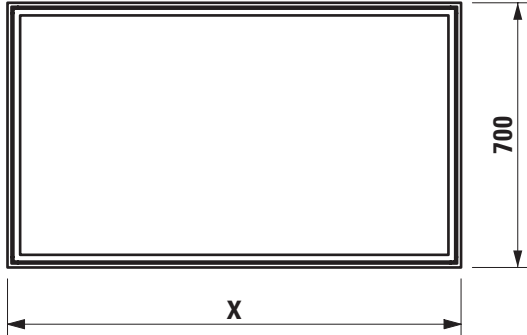
A / mm	
1000	Frame 25 glass shelf 44758.0
1200	Frame 25 glass shelf 44758.1
1300	Frame 25 glass shelf 44758.2
1500	Frame 25 glass shelf 44758.3
1800	Frame 25 glass shelf 44758.4

FRAME 25

MADE TO MEASURE MIRROR 44742.0, GLASS SHELF 44759.1

COPY BEFORE FILLING IN

tick the appropriate, respectively give the dimensions



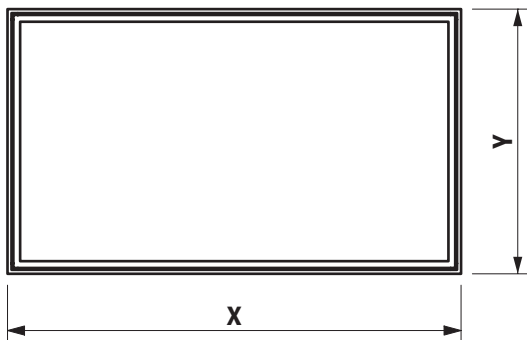
frame 25 mirror

order no. 44742.0
 maximum width (X) = 2200 mm
 delivery time: 3 weeks

measure X: mm (min. 150 mm)

quantity: piece(s)

price: piece(s)



frame 25 mirror

order no. 44742.0
 maximum width (X) = 2200 mm (min. 150 mm)
 maximum height (Y) = 1200 mm (min. 150 mm)
 delivery time: 5 weeks

measure X: mm

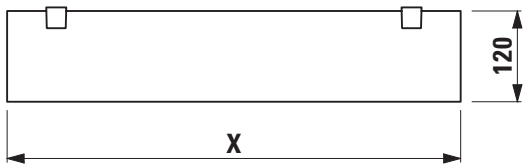
measure Y: mm

quantity: piece(s)

price: piece(s)

Color of the frame:

- anodised aluminium 144 black matt 450



frame 25 glass shelf

order no. 44759.1
 maximum width (X) = 2200 mm
 delivery time: 4 weeks

measure X: mm

quantity: piece(s)

price: piece(s)

Please note:

The combination of mirror mounting adapters with vertical LED light is not possible.

Color of the fixation set:

- chrome 000 black matt 450

frame 25 fixation set for glass shelf

for length < 900 mm

- order no. 49059.7 – set with 2 wall holders
 order no. 49071.7 – set with 2 mirror fixation adapters

for length > 900 mm

- order no. 49059.8 – set with 3 wall holders
 order no. 49071.8 – set with 3 mirror fixation adapters

for length > 1800 mm

- 2x order no. 49059.7 – per set 2 wall holders
 2x order no. 49071.7 – per set 2 mirror fixation adapters

OBJECT: _____

ARTICLE-NR: _____

INSTALLER: _____

DISTRIBUTER: _____

DATE: _____

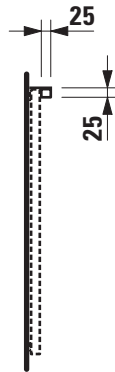
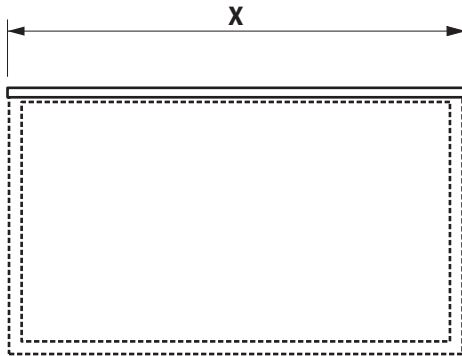
SIGNATURE: _____

FRAME 25

MADE TO MEASURE LIGHT ELEMENT 44756.1, 44756.2

COPY BEFORE FILLING IN

tick the appropriate, respectively give the dimensions



Light element horizontal for mirror IP44

maximum width (X) = 2000 mm

available in 50 mm sections

delivery time: 3 weeks

measure X: mm

order no. 44756.1 – without switch

order no. 44756.2 – with sensor switch integrated in the mirror aluminium frame (bottom side)

quantity: piece(s)

price: piece(s)

Oversizes and custom products on request.

OBJECT: _____

ARTICLE-NR: _____

INSTALLER: _____

DISTRIBUTER: _____

DATE: _____

SIGNATURE: _____

FRAME 25 MIRROR CABINETS

FRAME 25 MIRROR CABINET

Mirror cabinet with LED light

40830.1 / 40830.2

40831.1 / 40831.2

40832.1 / 40832.2

40835.1 / 40835.2

40836.1 / 40836.2

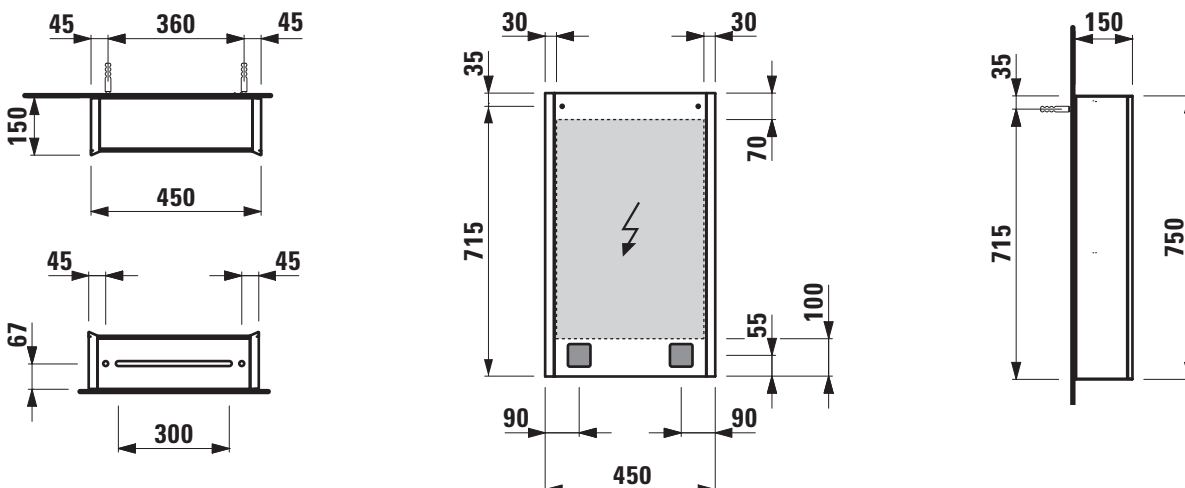
40837.1 / 40837.2



TECHNICAL DATA

Order no.	40830.1 / door hinge left, with sensor switch, 2 sockets (EU)	Dimensions (WxHxD)	450 x 750 x 150 mm
	40831.1 / door hinge left, hardwired for room switch, 2 sockets (CH)	Specification	Body – Inner part anodized aluminum (sidewall top, bottom), back wall grey melamine coated MDF
	40832.1 / door hinge left, hardwired for room switch		Door – Glass 3+3 mm
	40835.1 / door hinge left, bottom ambient light, with sensor switch, 2 sockets (EU)		1 door with inside and outside mirrors, including handle (optional usable)
	40836.1 / door hinge left, hardwired for room switch, bottom ambient light with sensor switch, 2 sockets (CH)		With vertical LED light
	40837.1 / door hinge left, hardwired for room switch, bottom ambient light with sensor switch, without sockets		2x 14W/m, 4000 Kelvin (daylight), IP44, 230V
	40830.2 / door hinge right, with sensor switch, 2 sockets (EU)		3 glass shelves (adjustable)
	40831.2 / door hinge right, hardwired for room switch, 2 sockets (CH)	Weight	14,0 kg
	40832.2 / door hinge right, hardwired for room switch	Accessories excl.	Accessories set consisting of 1 organizer, cosmetic mirror and magnetic bar self adhesive, order no. 49060.0
	40835.2 / door hinge right, bottom ambient light, with sensor switch, 2 sockets (EU)	Mounting acc. incl.	Installation set, order no. 49063.0
	40836.2 / door hinge right, hardwired for room switch, bottom ambient light with sensor switch, 2 sockets (CH)	Mounting acc. excl.	Installation frame set for mirror cabinet 450 mm, aluminum, dimensions 480 x 780 x 30 mm, order no. 40838.0 (only 40831.1, 40832.1, 40831.2, 40832.2 in connection with colour option 144)
	40837.2 / door hinge right, hardwired for room switch, bottom ambient light with sensor switch, without sockets	Mounting information	The fortification walls must meet the requirements of the furniture in terms of weight and the supplied fasteners. This can not be guaranteed, another method of attachment is chosen. 230V power supply required. Attention: Clearance for sensor switch min. 15 cm below mirror cabinet!
Certified to	IP44	Colours side wall	144 – Mirror, 145 – Glass with white backing (cover)

TECHNICAL DRAWINGS / S 1 : 20



FRAME 25 MIRROR CABINET

Mirror cabinet with LED light

40840.1 / 40840.2

40841.1 / 40841.2

40842.1 / 40842.2

40845.1 / 40845.2

40846.1 / 40846.2

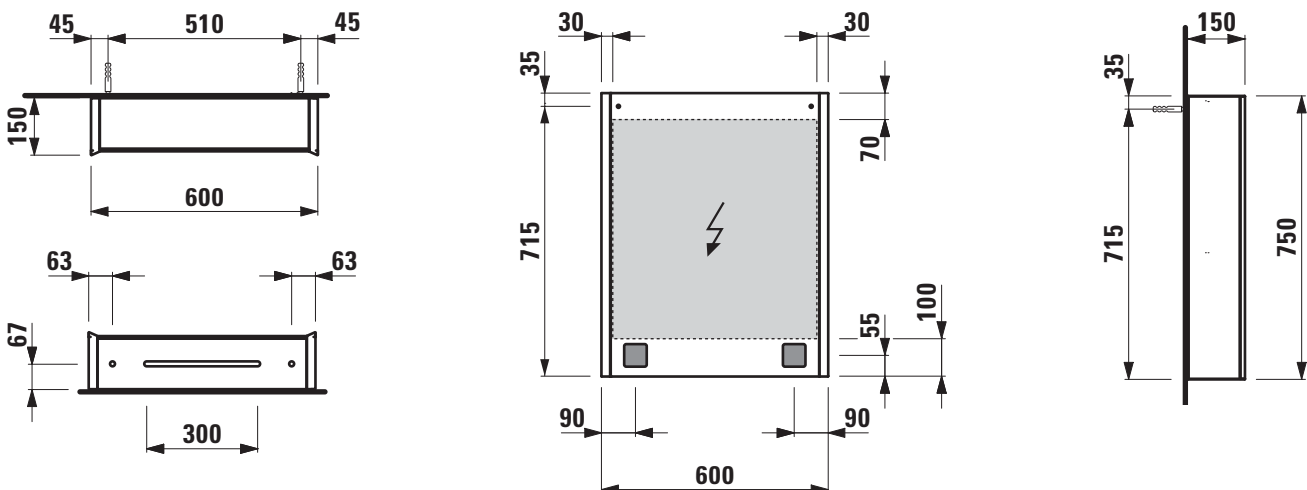
40847.1 / 40847.2



TECHNICAL DATA

Order no.	40840.1 / door hinge left, with sensor switch, 2 sockets (EU)	Dimensions (WxHxD)	600 x 750 x 150 mm
	40841.1 / door hinge left, hardwired for room switch, 2 sockets (CH)	Specification	Body – Inner part anodized aluminum (sidewall top, bottom), back wall grey melamine coated MDF
	40842.1 / door hinge left, hardwired for room switch		Door – Glass 3+3 mm
	40845.1 / door hinge left, bottom ambient light, with sensor switch, 2 sockets (EU)		1 door with inside and outside mirrors, including handle (optional usable)
	40846.1 / door hinge left, hardwired for room switch, bottom ambient light with sensor switch, 2 sockets (CH)		With vertical LED light
	40847.1 / door hinge left, hardwired for room switch, bottom ambient light with sensor switch, without sockets		2x 14W/m, 4000 Kelvin (daylight), IP44, 230V
	40840.2 / door hinge right, with sensor switch, 2 sockets (EU)		3 glass shelves (adjustable)
	40841.2 / door hinge right, hardwired for room switch, 2 sockets (CH)	Weight	17,0 kg
	40842.2 / door hinge right, hardwired for room switch	Accessories excl.	Accessories set consisting of 1 organizer, cosmetic mirror and magnetic bar self adhesive, order no. 49060.0
	40845.2 / door hinge right, bottom ambient light, with sensor switch, 2 sockets (EU)	Mounting acc. incl.	Installation set, order no. 49063.0
	40846.2 / door hinge right, hardwired for room switch, bottom ambient light with sensor switch, 2 sockets (CH)	Mounting acc. excl.	Installation frame set for mirror cabinet 600 mm, aluminum, dimensions 630 x 780 x 30 mm, order no. 40848.0 (only 40841.1, 40841.2, 40842.1, 40842.2 in connection with colour option 144)
	40847.2 / door hinge right, hardwired for room switch, bottom ambient light with sensor switch, without sockets	Mounting information	The fortification walls must meet the requirements of the furniture in terms of weight and the supplied fasteners. This can not be guaranteed, another method of attachment is chosen. 230V power supply required. Attention: Clearance for sensor switch min. 15 cm below mirror cabinet!
Certified to	IP44	Colours side wall	144 – Mirror, 145 – Glass with white backing (cover)

TECHNICAL DRAWINGS / S 1 : 20



FRAME 25 MIRROR CABINET

Mirror cabinet with LED light

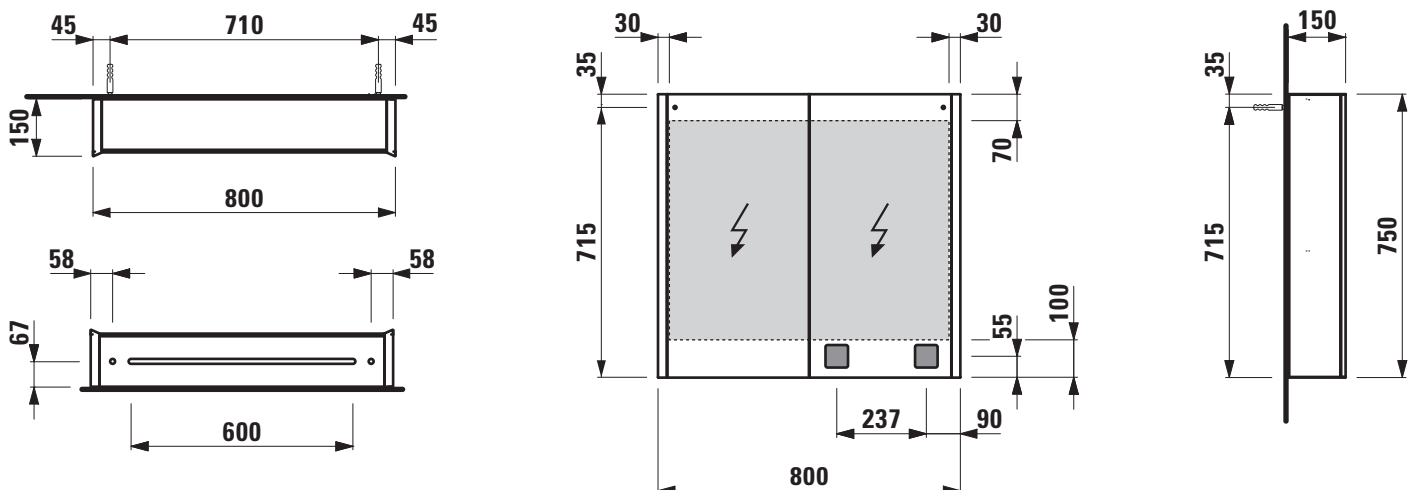
40850.3
40851.3
40852.3
40855.3
40856.3
40857.3



TECHNICAL DATA

Order no.	40850.3 / with sensor switch, 2 sockets (EU) 40851.3 / hardwired for room switch, 2 sockets (CH) 40852.3 / hardwired for room switch, without sockets 40855.3 / bottom ambient light, with sensor switch, 2 sockets (EU) 40856.3 / hardwired for room switch, bottom ambient light with sensor switch, 2 sockets (CH) 40857.3 / hardwired for room switch, bottom ambient light with sensor switch, without sockets	Weight	22,5 kg
Certified to	IP44	Accessories excl.	Accessories set consisting of 1 organizer, cosmetic mirror and magnetic bar self adhesive, order no. 49060.0
Dimensions (WxHxD)	800 x 750 x 150 mm	Mounting acc. incl.	Installation set, order no. 49063.0
Specification	Body – Inner part anodized aluminum (sidewall top, bottom), back wall grey melamine coated MDF Doors – Glass 3+3 mm 2 doors with inside and outside mirrors, including handles (optional usable) With vertical LED light 2x 14W/m, 4000 Kelvin (daylight), IP44, 230V 6 glass shelves (adjustable) 3/3	Mounting acc. excl.	Installation frame set for mirror cabinet 800 mm, aluminum, dimensions 830 x 780 x 30 mm, order no. 40858.0 (only 40851.3, 40852.3 in connection with colour option 144)
		Mounting information	The fortification walls must meet the requirements of the furniture in terms of weight and the supplied fasteners. This can not be guaranteed, another method of attachment is chosen. 230V power supply required. Attention: Clearance for sensor switch min. 15 cm below mirror cabinet!
		Colours side wall (cover)	144 – Mirror, 145 – Glass with white backing

TECHNICAL DRAWINGS / S 1 : 20



FRAME 25 MIRROR CABINET

Mirror cabinet with LED light

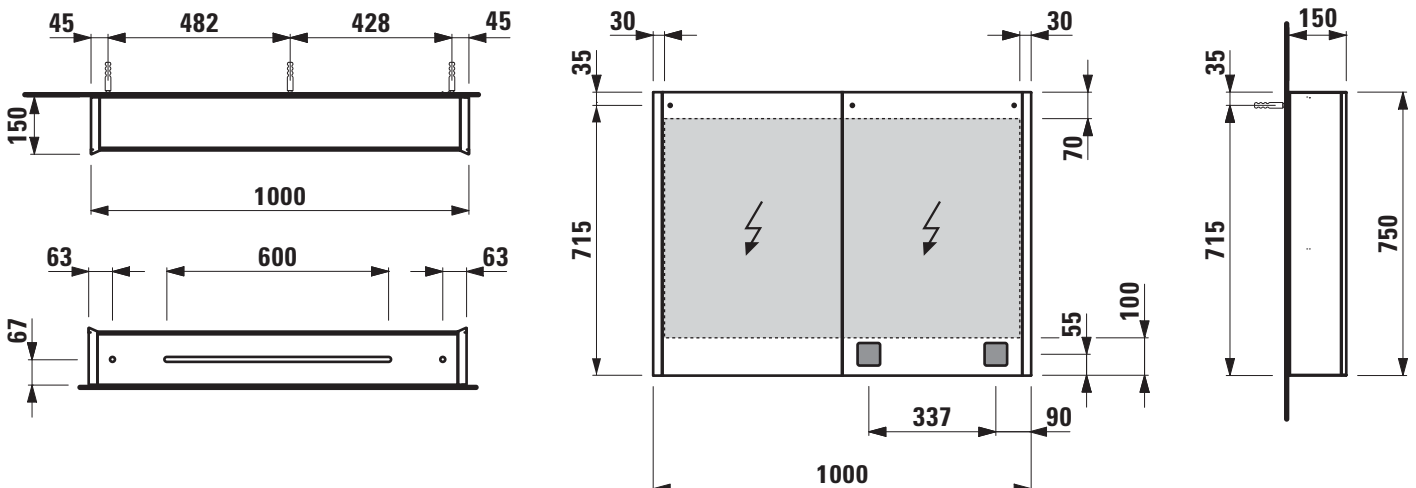
40860.3
40861.3
40862.3
40865.3
40866.3
40867.3



TECHNICAL DATA

Order no.	40860.3 / with sensor switch, 2 sockets (EU) 40861.3 / hardwired for room switch, 2 sockets (CH) 40862.3 / hardwired for room switch, without sockets 40865.3 / bottom ambient light, with sensor switch, 2 sockets (EU) 40866.3 / hardwired for room switch, bottom ambient light with sensor switch, 2 sockets (CH) 40867.3 / hardwired for room switch, bottom ambient light with sensor switch, without sockets	Weight	26,0 kg
Certified to	IP44	Accessories excl.	Accessories set consisting of 1 organizer, cosmetic mirror and magnetic bar self adhesive, order no. 49060.0
Dimensions (WxHxD)	1000 x 750 x 150 mm	Mounting acc. incl.	Installation set, order no. 49063.1
Specification	Body – Inner part anodized aluminum (sidewall top, bottom), back wall grey melamine coated MDF Doors – Glass 3+3 mm 2 doors with inside and outside mirrors, including handles (optional usable) With vertical LED light 2x 14W/m, 4000 Kelvin (daylight), IP44, 230V 6 glass shelves (adjustable) 3/3	Mounting acc. excl.	Installation frame set for mirror cabinet 1000 mm, aluminum, dimensions 1030 x 780 x 30 mm, order no. 40868.0 (only 40861.3, 40862.3 in connection with colour option 144)
		Mounting information	The fortification walls must meet the requirements of the furniture in terms of weight and the supplied fasteners. This can not be guaranteed, another method of attachment is chosen. 230V power supply required. Attention: Clearance for sensor switch min. 15 cm below mirror cabinet!
		Colours side wall (cover)	144 – Mirror, 145 – Glass with white backing

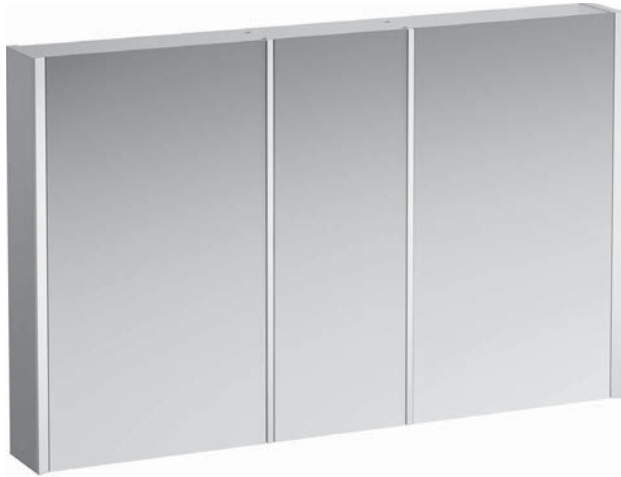
TECHNICAL DRAWINGS / S 1 : 20



FRAME 25 MIRROR CABINET

Mirror cabinet with LED light

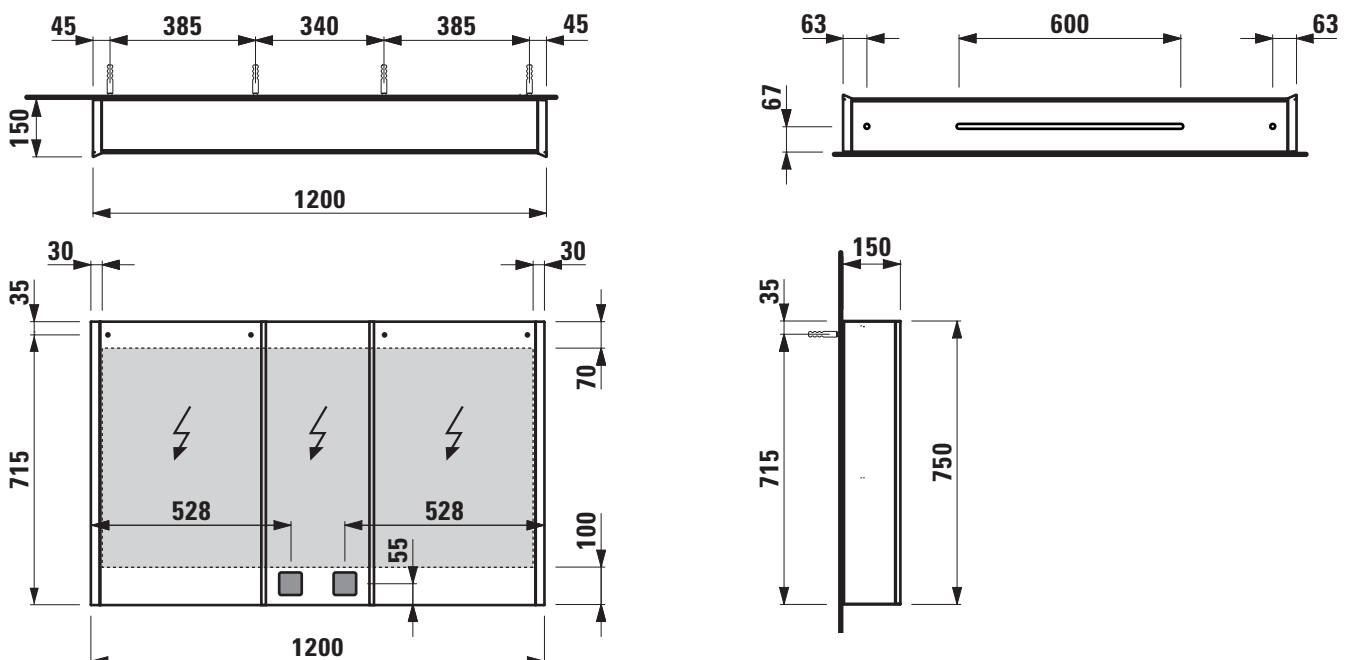
- 40880.4
- 40881.4
- 40882.4
- 40885.4
- 40886.4
- 40887.4



TECHNICAL DATA

Order no.	40880.4 / with sensor switch, 2 sockets (EU) 40881.4 / hardwired for room switch, 2 sockets (CH) 40882.4 / hardwired for room switch, without sockets 40885.4 / bottom ambient light, with sensor switch, 2 sockets (EU) 40886.4 / hardwired for room switch, bottom ambient light with sensor switch, 2 sockets (CH) 40887.4 / hardwired for room switch, bottom ambient light with sensor switch, without sockets	Weight	33,0 kg
Certified to	IP44	Accessories excl.	Accessories set consisting of 1 organizer, cosmetic mirror and magnetic bar self adhesive, order no. 49060.0
Dimensions (WxHxD)	1200 x 750 x 150 mm	Mounting acc. incl.	Installation set, order no. 49063.2
Specification	Body – Inner part anodized aluminum (sidewall top, bottom), back wall grey melamine coated MDF Doors – Glass 3+3 mm 3 doors with inside and outside mirrors, including handles (optional usable) With vertical LED light 4x 14W/m, 4000 Kelvin (daylight), IP44, 230V 8 glass shelves (adjustable) 3/2/3	Mounting acc. excl.	Installation frame set for mirror cabinet 1200 mm, aluminum, dimensions 1230 x 780 x 30 mm, order no. 40888.0 (only 40881.4, 40882.4 in connection with colour option 144)
		Mounting information	The fortification walls must meet the requirements of the furniture in terms of weight and the supplied fasteners. This can not be guaranteed, another method of attachment is chosen. 230V power supply required. Attention: Clearance for sensor switch min. 15 cm below mirror cabinet!
		Colours side wall (cover)	144 – Mirror, 145 – Glass with white backing

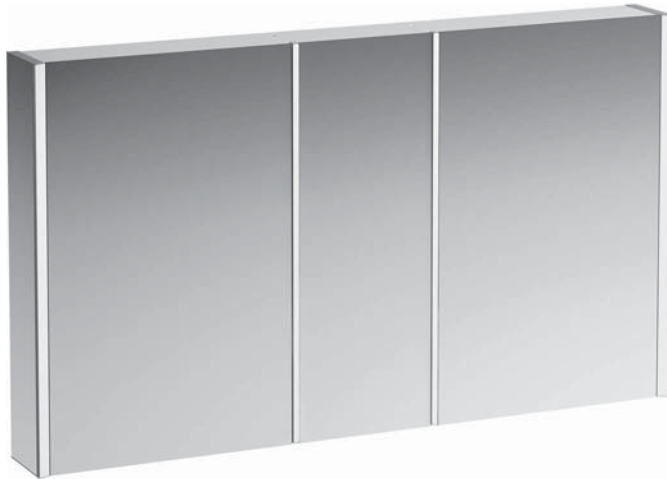
TECHNICAL DRAWINGS / S 1 : 20



FRAME 25 MIRROR CABINET

Mirror cabinet with LED light

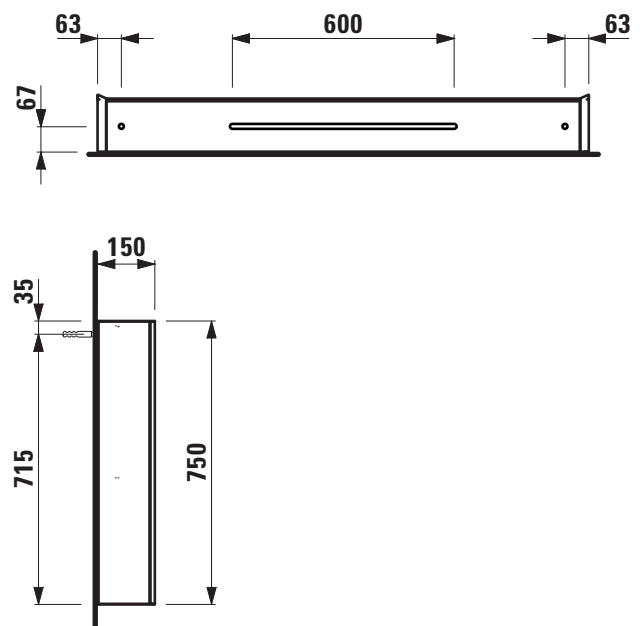
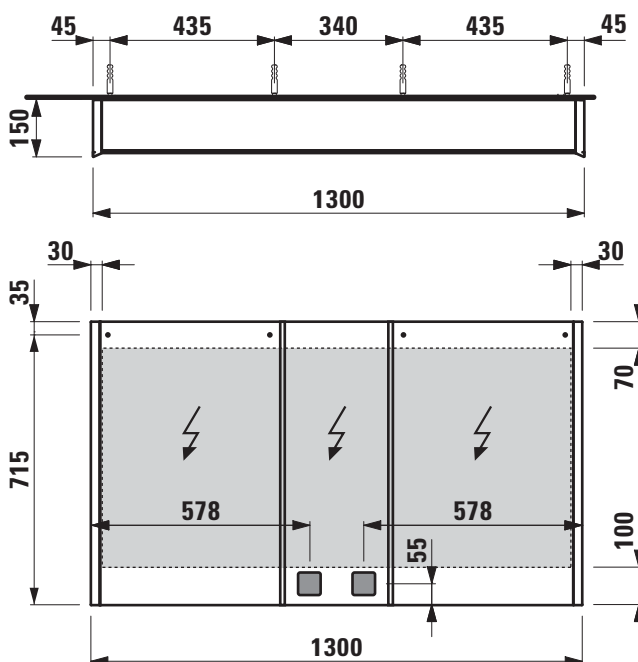
- 40870.4
- 40871.4
- 40872.4
- 40875.4
- 40876.4
- 40877.4



TECHNICAL DATA

Order no.	40870.4 / with sensor switch, 2 sockets (EU) 40871.4 / hardwired for room switch, 2 sockets (CH) 40872.4 / hardwired for room switch, without sockets 40875.4 / bottom ambient light, with sensor switch, 2 sockets (EU) 40876.4 / hardwired for room switch, bottom ambient light with sensor switch, 2 sockets (CH) 40877.4 / hardwired for room switch, bottom ambient light with sensor switch, without sockets	Weight	33,0 kg
Certified to	IP44	Accessories excl.	Accessories set consisting of 1 organizer, cosmetic mirror and magnetic bar self adhesive, order no. 49060.0
Dimensions (WxHxD)	1300 x 750 x 150 mm	Mounting acc. incl.	Installation set, order no. 49063.2
Specification	Body – Inner part anodized aluminum (sidewall top, bottom), back wall grey melamine coated MDF Doors – Glass 3+3 mm 3 doors with inside and outside mirrors, including handles (optional usable) With vertical LED light 4x 14W/m, 4000 Kelvin (daylight), IP44, 230V 8 glass shelves (adjustable) 3/2/3	Mounting acc. excl.	Installation frame set for mirror cabinet 1300 mm, aluminum, dimensions 1330 x 780 x 30 mm, order no. 40878.0 (only 40871.4, 40872.4 in connection with colour option 144)
		Mounting information	The fortification walls must meet the requirements of the furniture in terms of weight and the supplied fasteners. This can not be guaranteed, another method of attachment is chosen. 230V power supply required. Attention: Clearance for sensor switch min. 15 cm below mirror cabinet!
		Colours side wall (cover)	144 – Mirror, 145 – Glass with white backing

TECHNICAL DRAWINGS / S 1 : 20



FRAME 25 MIRROR CABINET

Installation frame set for mirror cabinet

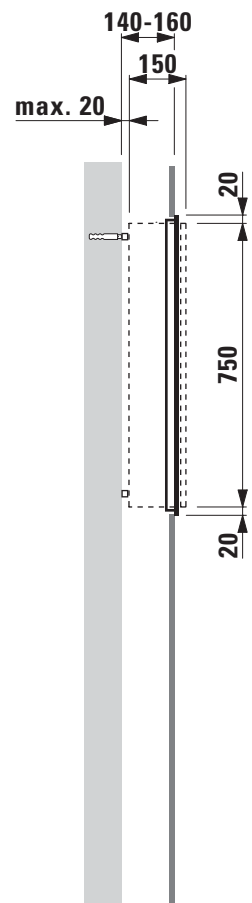
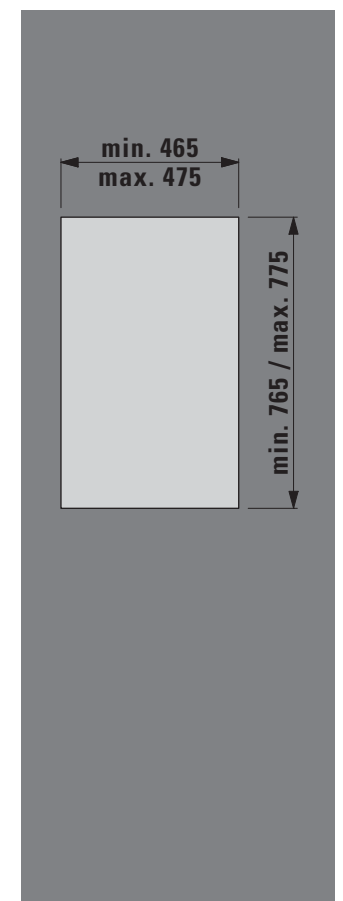
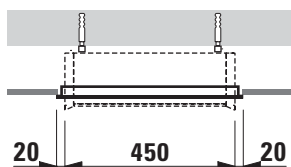
40838.0



TECHNICAL DATA

Order no.	40838.0	Weight	0,0 kg
Dimensions (WxHxD)	480 x 780 x 30 mm	Mounting acc. incl.	Installation set, order no. 49067.0
matching for	mirror cabinet 40831.1, 40831.2, 40832.1, 40832.2	Colour	900 – Aluminum
Specification	only in connection with colour option 144 Frame – Anodized aluminum Including special handles for the doors of the mirror cabinet, order no. 49067.2		

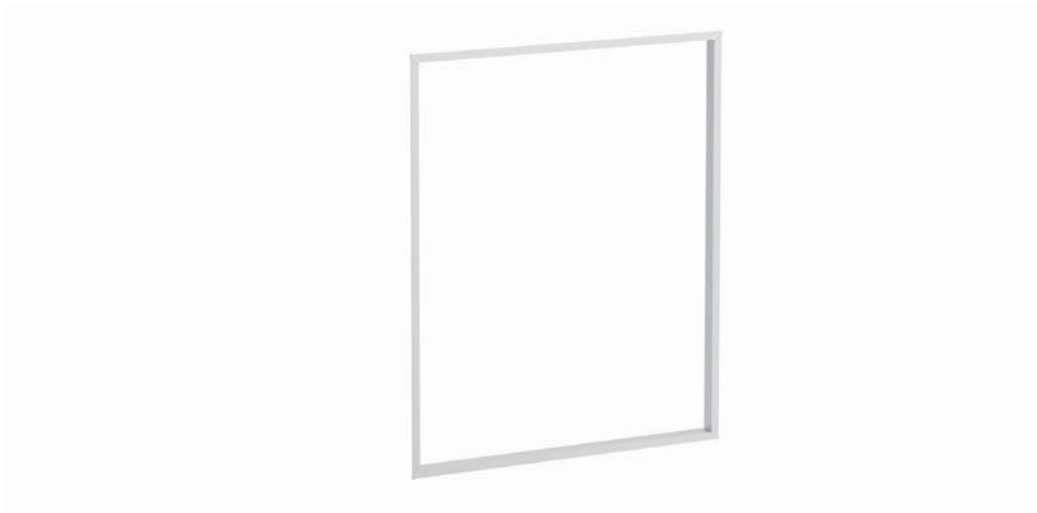
TECHNICAL DRAWINGS / S 1 : 20



FRAME 25 MIRROR CABINET

Installation frame set for mirror cabinet

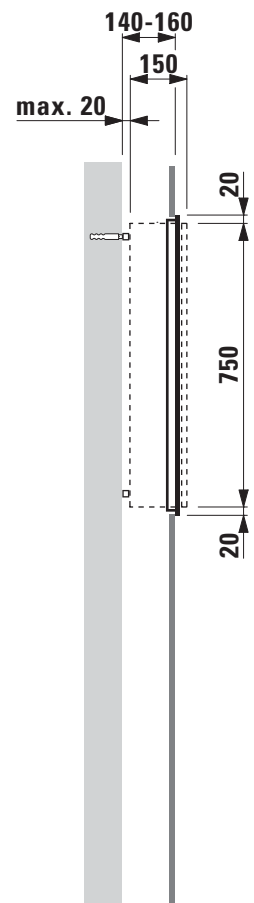
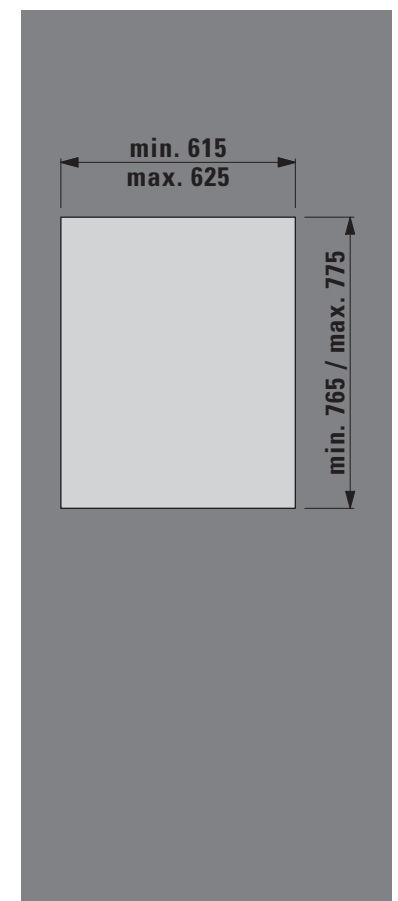
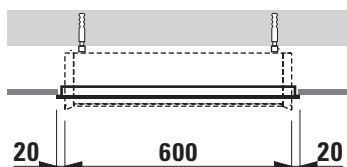
40848.0



TECHNICAL DATA

Order no.	40848.0	Weight	0,0 kg
Dimensions (WxHxD)	630 x 780 x 30 mm	Mounting acc. incl.	Installation set, order no. 49067.0
matching for	mirror cabinet 40841.1, 40841.2, 40842.1, 40842.2 only in connection with colour option 144	Colour	900 – Aluminum
Specification	Frame – Anodized aluminum Including special handles for the doors of the mirror cabinet, order no. 49067.2		

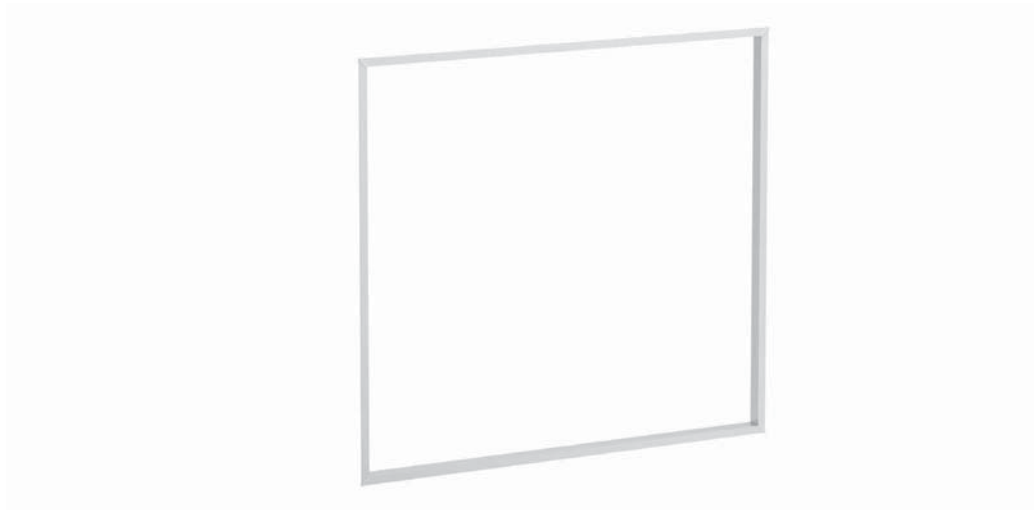
TECHNICAL DRAWINGS / S 1 : 20



FRAME 25 MIRROR CABINET

Installation frame set for mirror cabinet

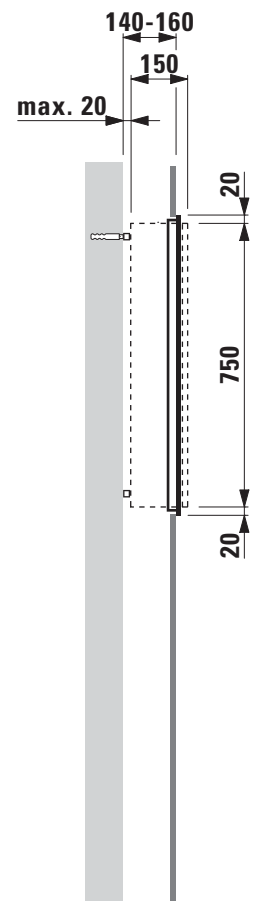
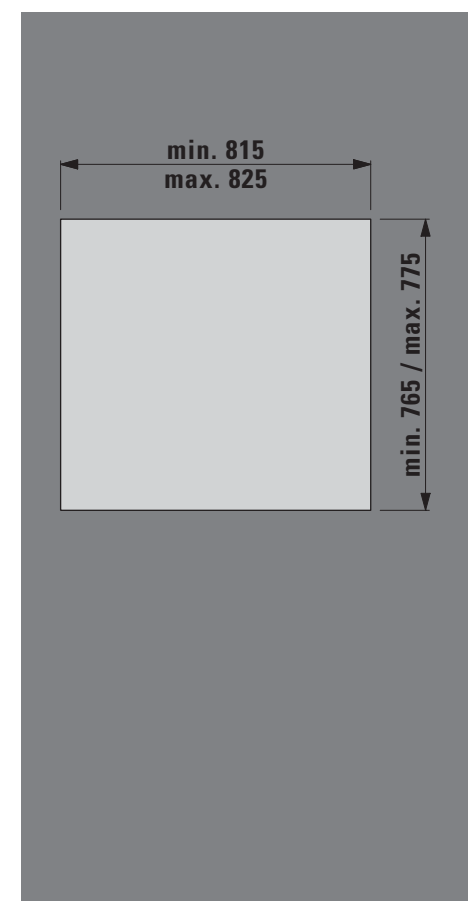
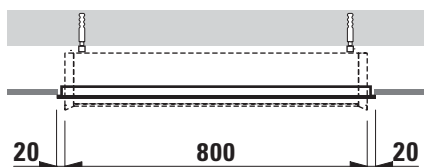
40858.0



TECHNICAL DATA

Order no.	40858.0	Mounting acc. incl.	Installation set, order no. 49067.0
Dimensions (WxHxD)	830 x 780 x 30 mm	Colour	900 – Aluminum
matching for	mirror cabinet 40851.3, 40852.3 only in connection with colour option 144		
Specification	Frame – Anodized aluminum Including special handles for the doors of the mirror cabinet, order no. 49067.2		
Weight	0,0 kg		

TECHNICAL DRAWINGS / S 1 : 20



FRAME 25 MIRROR CABINET

Installation frame set for mirror cabinet

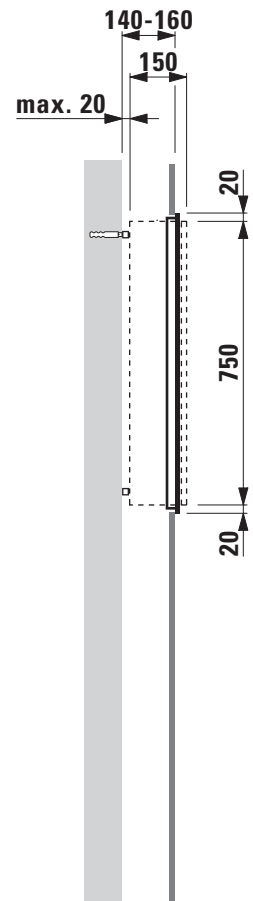
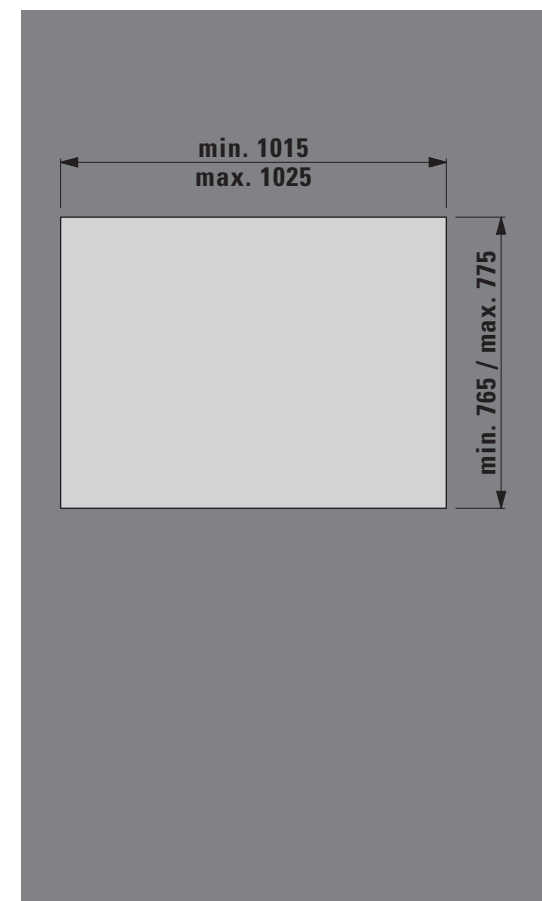
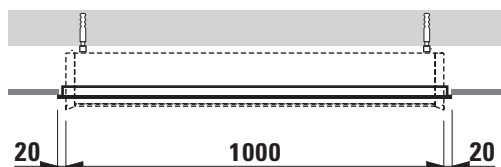
40868.0



TECHNICAL DATA

Order no.	40868.0	Weight	0,0 kg
Dimensions (WxHxD)	1030 x 780 x 30 mm	Mounting acc. incl.	Installation set, order no. 49067.1
matching for	mirror cabinet 40861.3, 40862.3 only in connection with colour option 144	Colour	900 – Aluminum
Specification	Frame – Anodized aluminum Including special handles for the doors of the mirror cabinet, order no. 49067.2		

TECHNICAL DRAWINGS / S 1 : 20



FRAME 25 MIRROR CABINET

Installation frame set for mirror cabinet

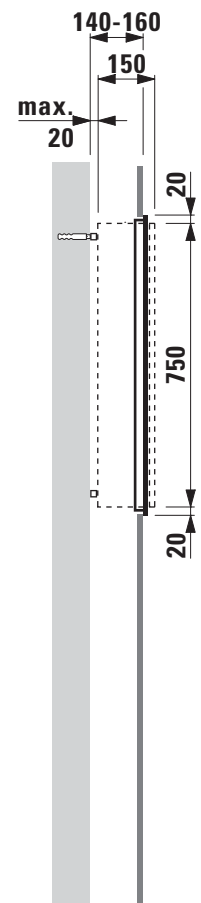
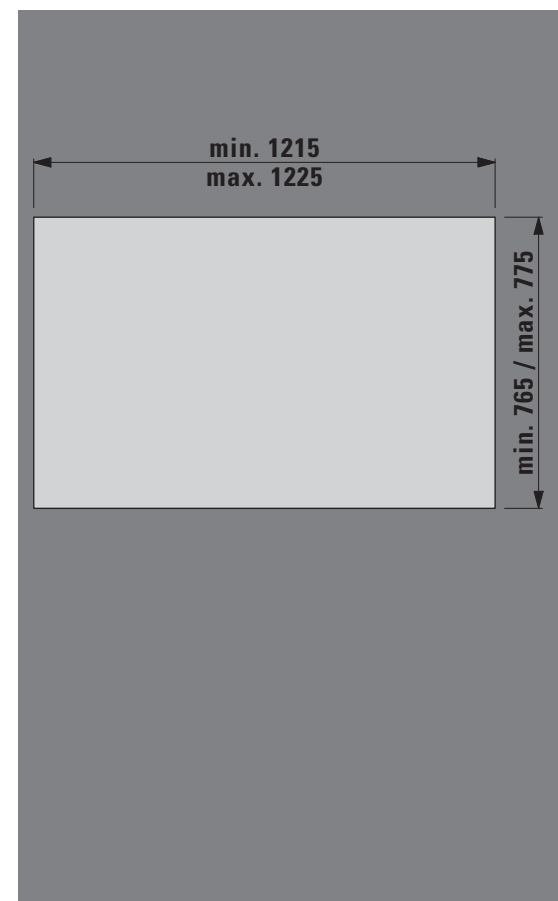
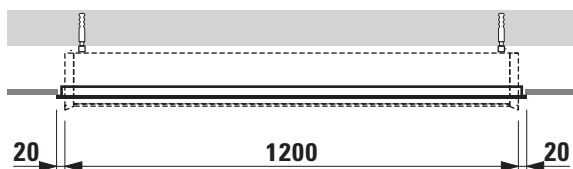
40888.0



TECHNICAL DATA

Order no.	40888.0	Weight	0,0 kg
Dimensions (WxHxD)	1230 x 780 x 30 mm	Mounting acc. incl.	Installation set, order no. 49067.1
matching for	mirror cabinet 40881.4, 40882.4 only in connection with colour option 144	Colour	900 – Aluminum
Specification	Frame – Anodized aluminum Including special handles for the doors of the mirror cabinet, order no. 49067.2		

TECHNICAL DRAWINGS / S 1 : 20



FRAME 25 MIRROR CABINET

Installation frame set for mirror cabinet

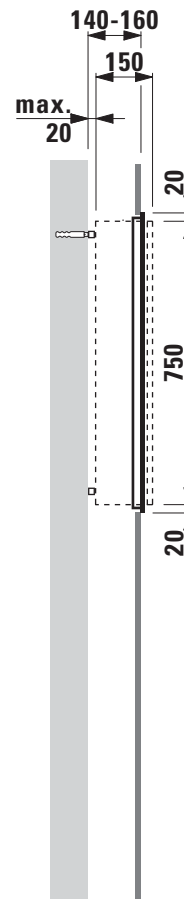
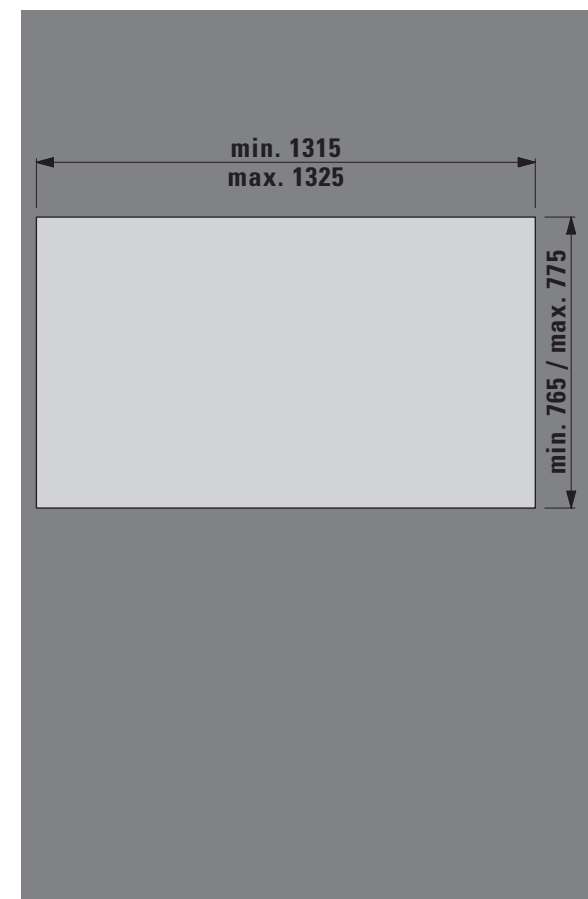
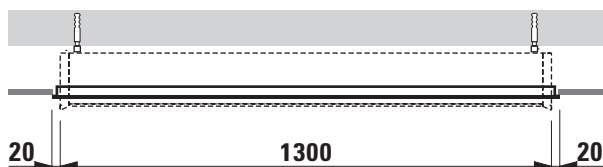
40878.0



TECHNICAL DATA

Order no.	40878.0	Weight	0,0 kg
Dimensions (WxHxD)	1330 x 780 x 30 mm	Mounting acc. incl.	Installation set, order no. 49067.1
matching for	mirror cabinet 40871.4, 40872.4 only in connection with colour option 144	Colour	900 – Aluminum
Specification	Frame – Anodized aluminum Including special handles for the doors of the mirror cabinet, order no. 49067.2		

TECHNICAL DRAWINGS / S 1 : 20



LEELO MIRROR

Mirror with LED lighting

44761.1

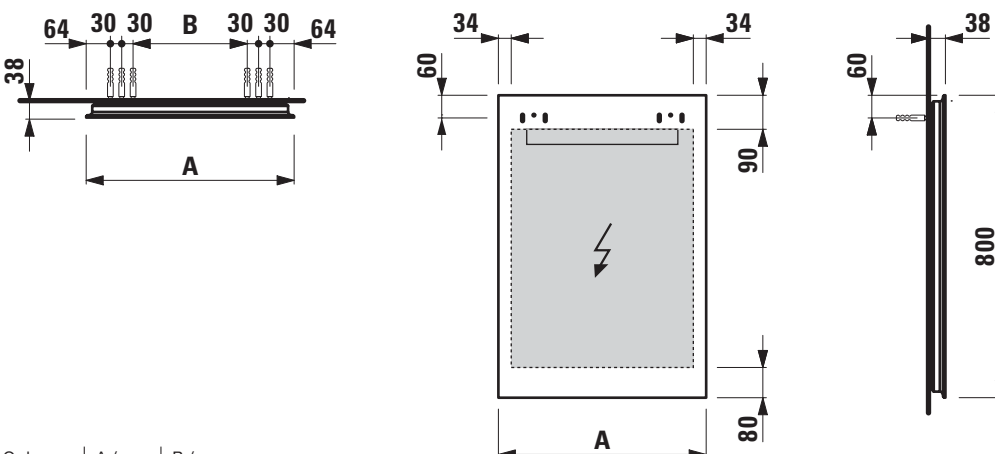
44762.1



TECHNICAL DATA

Order no.	44761.1 44762.1	Weight	44761.1 – 6,2 kg 44762.1 – 7,3 kg
Certified to	IP44	Mounting acc. incl.	2 installation sets, order no. 49621.9 1 installation set, order no. 49622.0
Energy label	A+	Mounting information	The fortification walls must meet the requirements of the furniture in terms of weight and the supplied fasteners. This can not be guaranteed, another method of attachment is chosen. 230V power supply required.
Dimensions (WxHxD)	see table and drawing below		
Specification	hardwired for room switch Mirror glass 4 mm with security foil, integrated in aluminum frame electro polished With integrated horizontal LED lighting 4000 Kelvin, IP44, 230V, 50/60 Hz Electrical power (W): 44761.1 – main light 5,0W 44762.1 – main light 6,0W		

TECHNICAL DRAWINGS / S 1 : 20



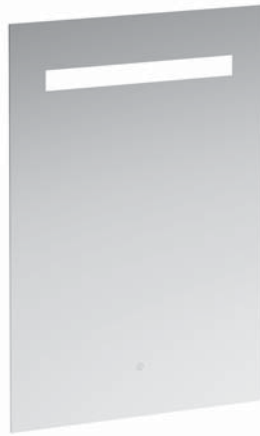
Order no.	A / mm	B / mm
44761.1	450	202
44762.1	550	302

LEELO MIRROR

Mirror with LED lighting 1 touch sensor

44761.2

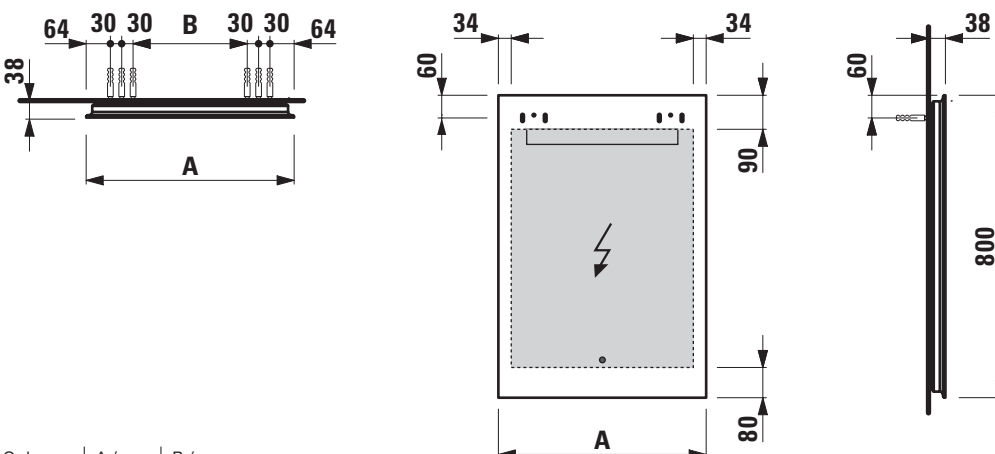
44762.2



TECHNICAL DATA

Order no.	44761.2 44762.2	Weight	44761.2 – 6,3 kg 44762.2 – 7,4 kg
Certified to	IP44	Mounting acc. incl.	2 installation sets, order no. 49621.9 1 installation set, order no. 49622.0
Energy label	A++	Mounting information	The fortification walls must meet the requirements of the furniture in terms of weight and the supplied fasteners. This can not be guaranteed, another method of attachment is chosen. 230V power supply required.
Dimensions (WxHxD)	see table and drawing below		
Specification	<p>1 touch sensor (on-off/dimming) with memory function, last light state is remembered</p> <p>Mirror glass 4 mm with security foil, integrated in aluminum frame electro polished</p> <p>With integrated horizontal LED lighting</p> <p>4000 Kelvin, IP44, 230V, 50/60 Hz</p> <p>Electrical power (W):</p> <p>44761.2 – main light 5,1W</p> <p>44762.2 – main light 6,8W</p>		

TECHNICAL DRAWINGS / S 1 : 20



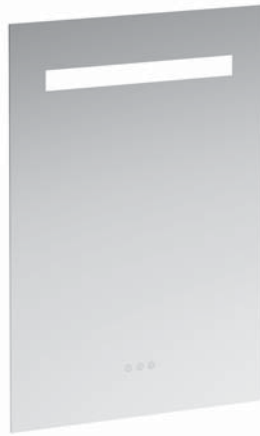
Order no.	A / mm	B / mm
44761.2	450	202
44762.2	550	302

LEELO MIRROR

Mirror with LED lighting and ambient light 3 touch sensors

44761.3

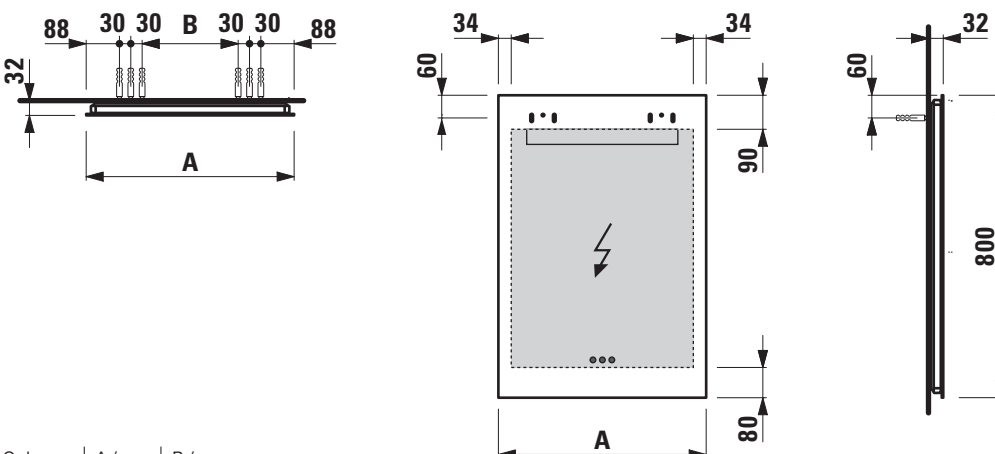
44762.3



TECHNICAL DATA

Order no.	44761.3 44762.3	Specification	Electrical power (W): 44761.3 – main light 5,1W / ambient light 21,3W 44762.3 – main light 6,8W / ambient light 23,2W
Certified to	IP44	Weight	44761.3 – 6,3 kg 44762.3 – 7,5 kg
Energy label	A++	Mounting acc. incl.	2 installation sets, order no. 49621.9 1 installation set, order no. 49622.0
Dimensions (WxHxD)	see table and drawing below	Mounting information	The fortification walls must meet the requirements of the furniture in terms of weight and the supplied fasteners. This can not be guaranteed, another method of attachment is chosen. 230V power supply required.
Specification	3 touch sensors (on-off/dimming, colour temperature change) with memory function, last light state is remembered Mirror glass 4 mm with security foil, integrated in aluminum frame electro polished With integrated horizontal LED lighting With peripheral LED ambient lighting 2700-6000 Kelvin (dynamic white, pre-sets 2700, 4000, 6000 Kelvin), main light and ambient light synchronized, IP44, 230V, 50/60 Hz		

TECHNICAL DRAWINGS / S 1 : 20



Order no.	A / mm	B / mm
44761.3	450	154
44762.3	550	254

Mirror with LED lighting

44763.1

44764.1

44765.1

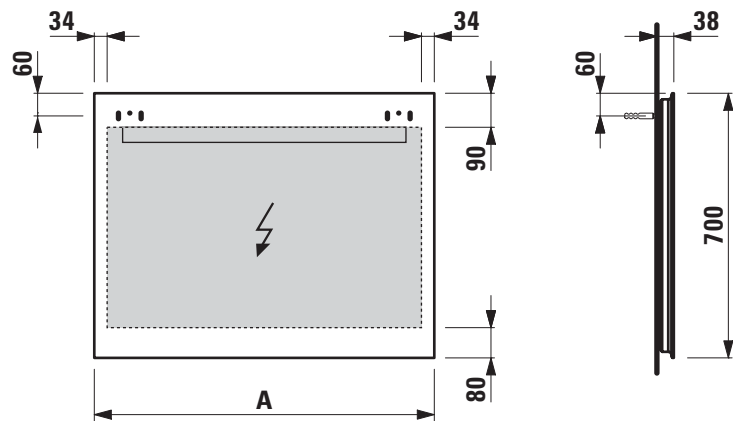
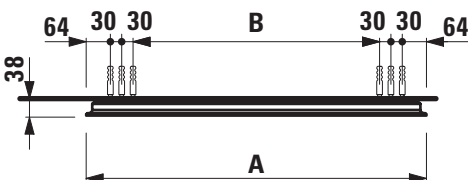
44766.1



TECHNICAL DATA

Order no.	44763.1, 44764.1 44765.1, 44766.1	Weight	44763.1 – 7,1 kg 44764.1 – 9,2 kg 44765.1 – 10,3 kg 44766.1 – 11,3 kg
Certified to	IP44		
Energy label	A+		
Dimensions (WxHxD)	see table and drawing below	Mounting acc. incl.	2 installation sets, order no. 49621.9 1 installation set, order no. 49622.0
Specification	hardwired for room switch Mirror glass 4 mm with security foil, integrated in aluminum frame electro polished With integrated horizontal LED lighting 4000 Kelvin, IP44, 230V, 50/60 Hz Electrical power (W): 44763.1 – main light 7,0W 44764.1 – main light 10,0W 44765.1 – main light 11,0W 44766.1 – main light 12,0W	Mounting information	The fortification walls must meet the requirements of the furniture in terms of weight and the supplied fasteners. This can not be guaranteed, another method of attachment is chosen. 230V power supply required.

TECHNICAL DRAWINGS / S 1 : 20



Order no.	A / mm	B / mm
44763.1	600	352
44764.1	800	552
44765.1	900	652
44766.1	1000	752

LEELO MIRROR

Mirror with LED lighting 1 touch sensor

44763.2

44764.2

44765.2

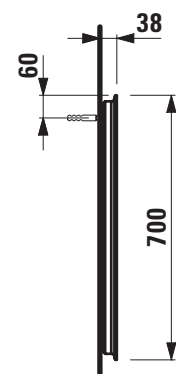
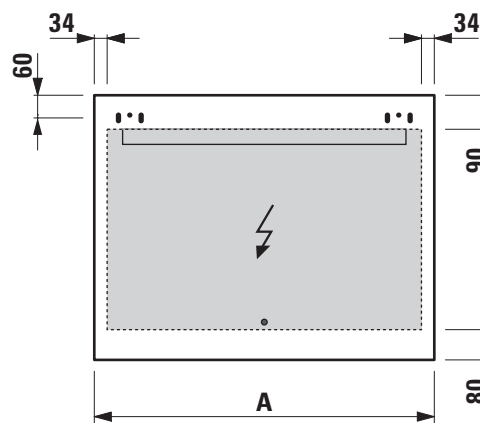
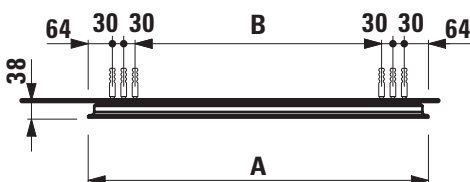
44766.2



TECHNICAL DATA

Order no.	44763.2, 44764.2 44765.2, 44766.2	Weight	44763.2 – 7,1 kg 44764.2 – 9,2 kg 44765.2 – 10,3 kg 44766.2 – 11,4 kg
Certified to	IP44		
Energy label	A++		
Dimensions (WxHxD)	see table and drawing below	Mounting acc. incl.	2 installation sets, order no. 49621.9 1 installation set, order no. 49622.0
Specification	1 touch sensor (on-off/dimming) with memory function, last light state is remembered Mirror glass 4 mm with security foil, integrated in aluminum frame electro polished With integrated horizontal LED lighting 4000 Kelvin, IP44, 230V, 50/60 Hz Electrical power (W): 44763.2 – main light 7,7W 44764.2 – main light 11,1W 44765.2 – main light 12,8W 44766.2 – main light 14,5W	Mounting information	The fortification walls must meet the requirements of the furniture in terms of weight and the supplied fasteners. This can not be guaranteed, another method of attachment is chosen. 230V power supply required.

TECHNICAL DRAWINGS / S 1 : 20



Order no.	A / mm	B / mm
44763.2	600	352
44764.2	800	552
44765.2	900	652
44766.2	1000	752

LEELO MIRROR

Mirror with LED lighting and ambient light 3 touch sensors

44763.3

44764.3

44765.3

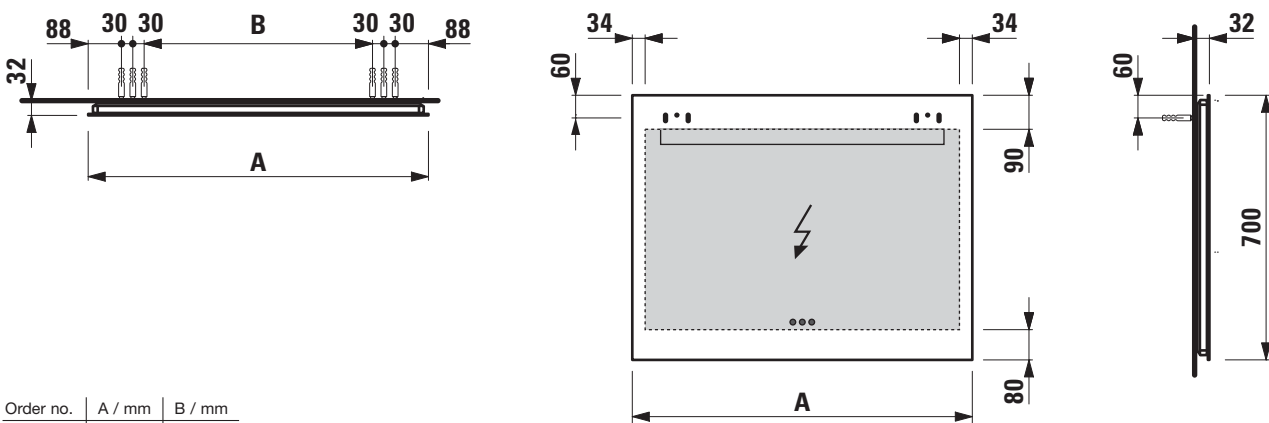
44766.3



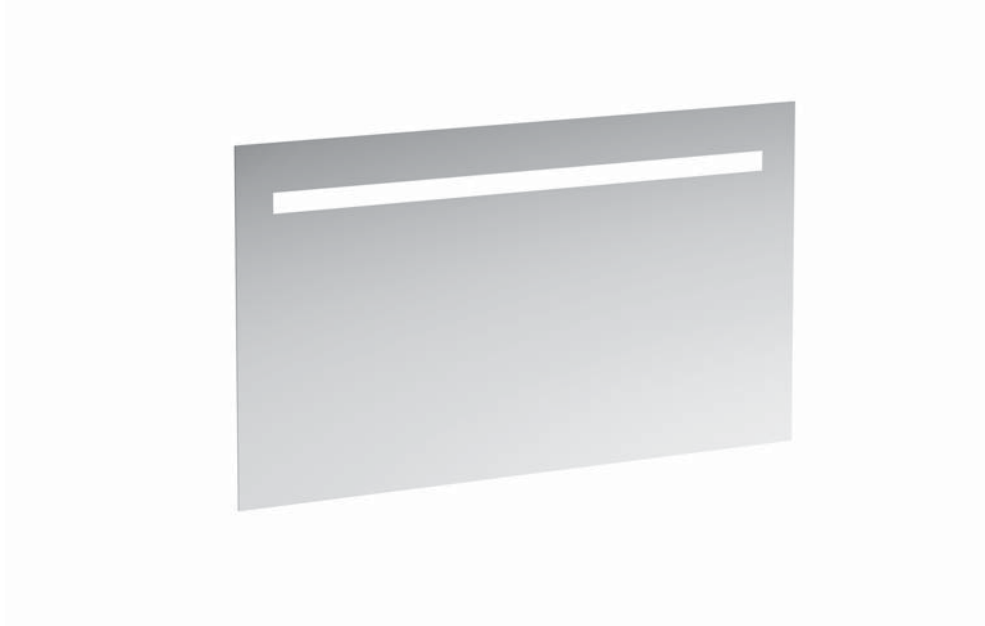
TECHNICAL DATA

Order no.	44763.3, 44764.3 44765.3, 44766.3	Specification	Electrical power (W): 44763.3 – main light 7,7W / ambient light 22,3W 44764.3 – main light 11,1W / ambient light 26,1W 44765.3 – main light 12,8W / ambient light 28,0W 44766.3 – main light 14,5W / ambient light 30,0W
Certified to	IP44	Weight	44763.3 – 7,3 kg 44764.3 – 9,5 kg 44765.3 – 10,7 kg 44766.3 – 11,8 kg
Energy label	A++	Mounting acc. incl.	2 installation sets, order no. 49621.9 1 installation set, order no. 49622.0
Dimensions (WxHxD)	see table and drawing below	Mounting information	The fortification walls must meet the requirements of the furniture in terms of weight and the supplied fasteners. This can not be guaranteed, another method of attachment is chosen. 230V power supply required.
Specification	3 touch sensors (on-off/dimming, colour temperature change) with memory function, last light state is remembered Mirror glass 4 mm with security foil, integrated in aluminum frame electro polished With integrated horizontal LED lighting With peripheral LED ambient lighting 2700-6000 Kelvin (dynamic white, pre-sets 2700, 4000, 6000 Kelvin), main light and ambient light synchronized, IP44, 230V, 50/60 Hz		

TECHNICAL DRAWINGS / S 1 : 20



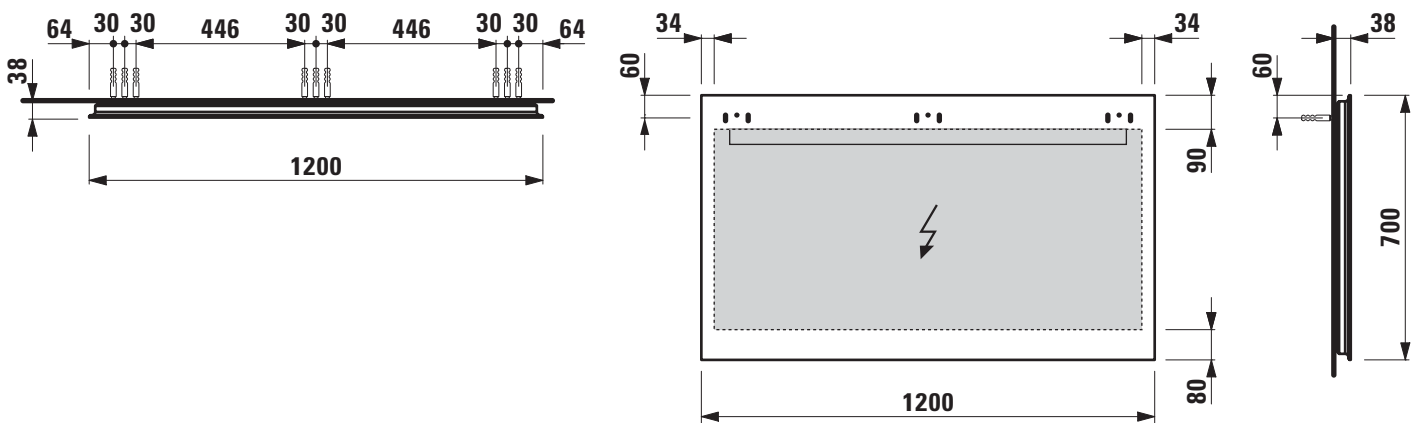
Order no.	A / mm	B / mm
44763.3	600	304
44764.3	800	504
44765.3	900	604
44766.3	1000	704



TECHNICAL DATA

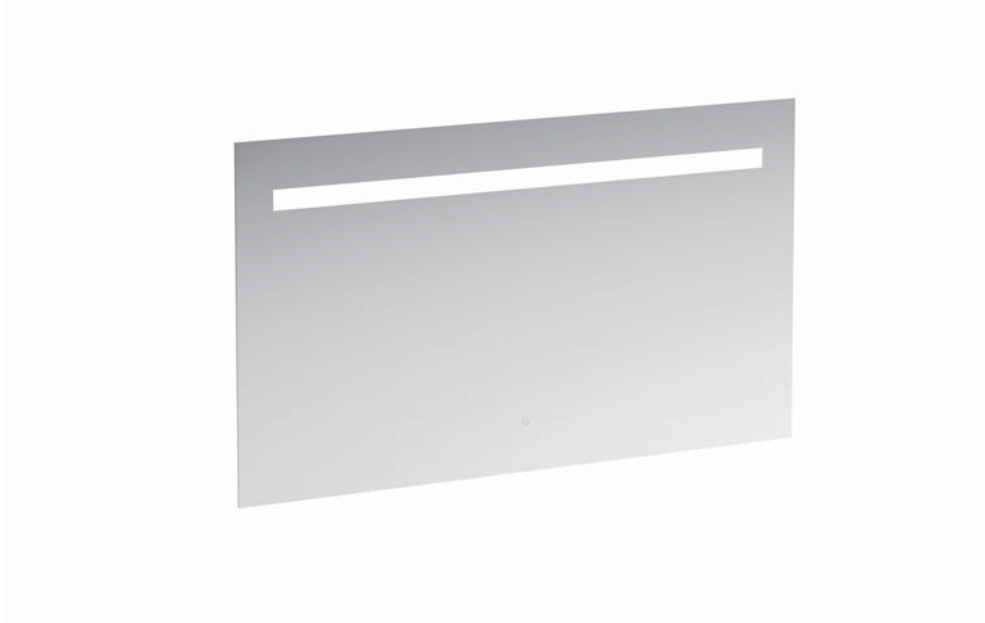
Order no.	44767.1	Weight	13,4 kg
Certified to	IP44	Mounting acc. incl.	3 installation sets, order no. 49621.9 1 installation set, order no. 49622.0
Energy label	A+	Mounting information	The fortification walls must meet the requirements of the furniture in terms of weight and the supplied fasteners. This can not be guaranteed, another method of attachment is chosen. 230V power supply required.
Dimensions (WxHxD)	1200 x 700 x 38 mm		
Specification	hardwired for room switch Mirror glass 4 mm with security foil, integrated in aluminum frame electro polished With integrated horizontal LED lighting 4000 Kelvin, IP44, 230V, 50/60 Hz Electrical power (W): main light 14,0W		

TECHNICAL DRAWINGS / S 1 : 20



LEELO MIRROR

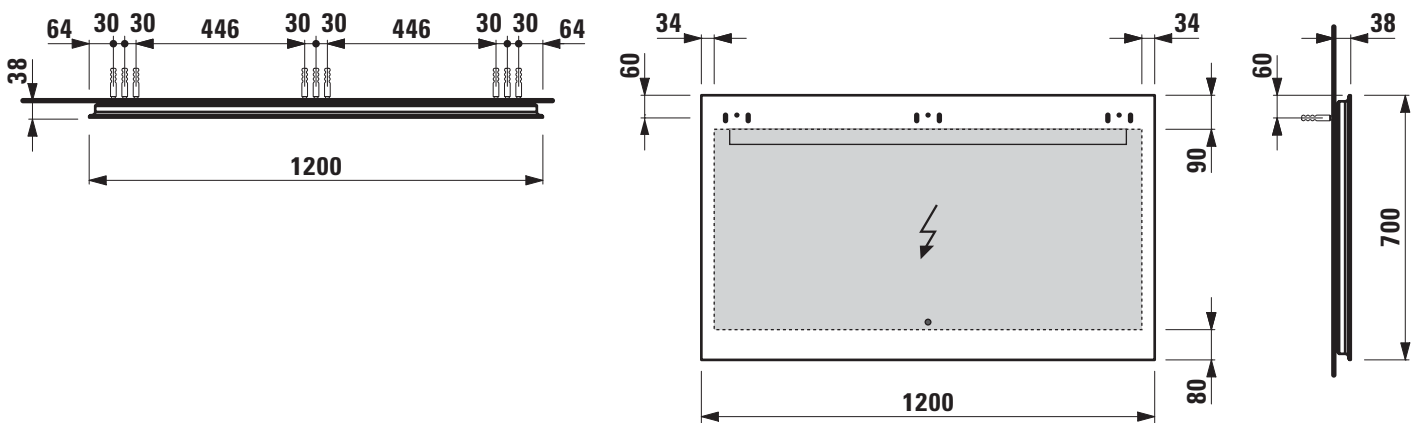
Mirror with LED lighting 1 touch sensor 44767.2



TECHNICAL DATA

Order no.	44767.2	Weight	13,5 kg
Certified to	IP44	Mounting acc. incl.	3 installation sets, order no. 49621.9 1 installation set, order no. 49622.0
Energy label	A++	Mounting information	The fortification walls must meet the requirements of the furniture in terms of weight and the supplied fasteners. This can not be guaranteed, another method of attachment is chosen. 230V power supply required.
Dimensions (WxHxD)	1200 x 700 x 38 mm		
Specification	1 touch sensor (on-off/dimming) with memory function, last light state is remembered Mirror glass 4 mm with security foil, integrated in aluminum frame electro polished With integrated horizontal LED lighting 4000 Kelvin, IP44, 230V, 50/60 Hz Electrical power (W): main light 17,9W		

TECHNICAL DRAWINGS / S 1 : 20



LEELO MIRROR

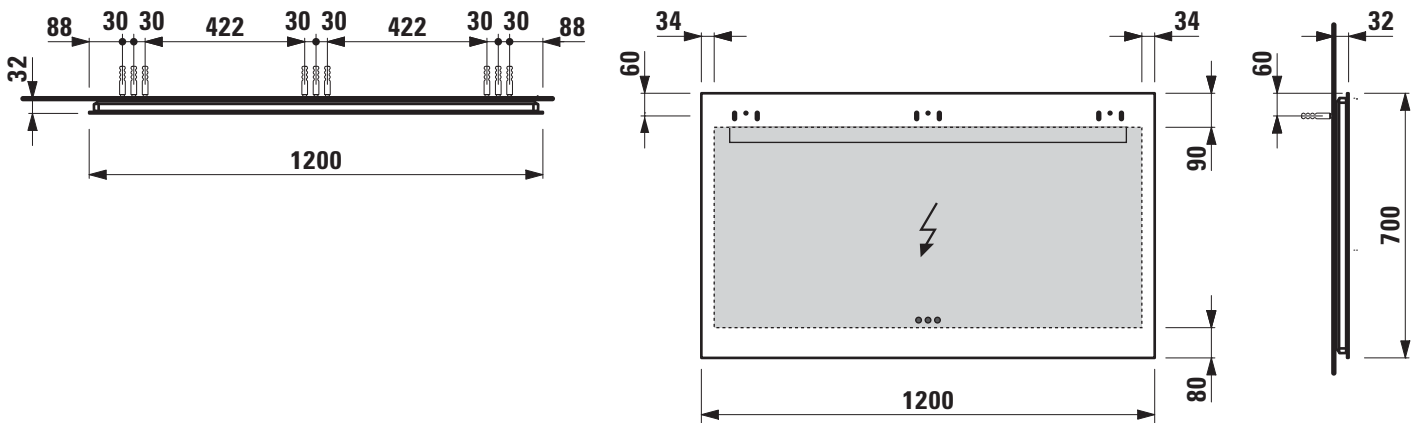
Mirror with LED lighting and ambient light 3 touch sensors 44767.3



TECHNICAL DATA

Order no.	44767.3	Weight	14,0 kg
Certified to	IP44	Mounting acc. incl.	3 installation sets, order no. 49621.9 1 installation set, order no. 49622.0
Energy label	A++	Mounting information	The fortification walls must meet the requirements of the furniture in terms of weight and the supplied fasteners. This can not be guaranteed, another method of attachment is chosen. 230V power supply required.
Dimensions (WxHxD)	1200 x 700 x 32 mm		
Specification	3 touch sensors (on-off/dimming, colour temperature change) with memory function, last light state is remembered Mirror glass 4 mm with security foil, integrated in aluminum frame electro polished With integrated horizontal LED lighting With peripheral LED ambient lighting 2700-6000 Kelvin (dynamic white, pre-sets 2700, 4000, 6000 Kelvin), main light and ambient light synchronized, IP44, 230V, 50/60 Hz Electrical power (W): main light 17,9W / ambient light 33,8W		

TECHNICAL DRAWINGS / S 1 : 20

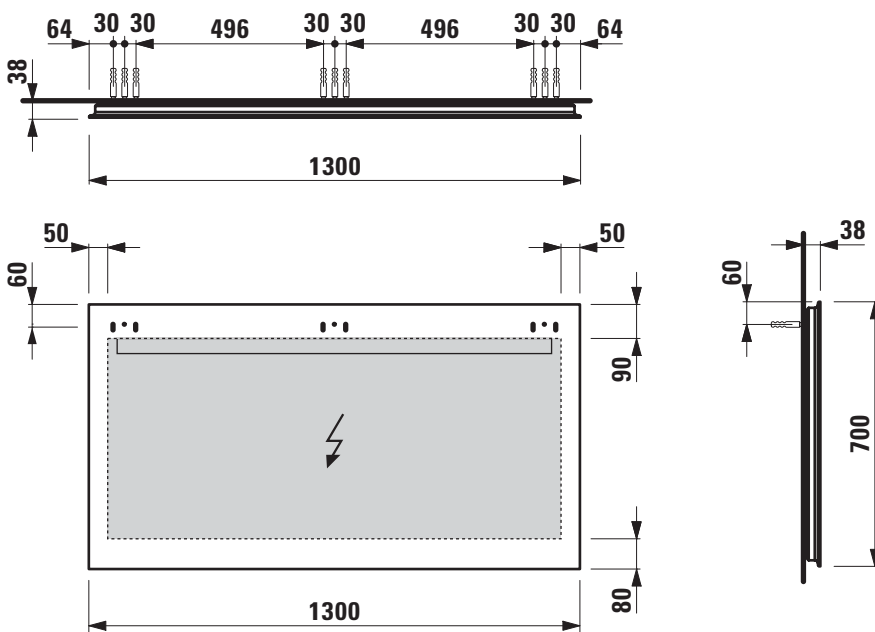




TECHNICAL DATA

Order no.	44768.1	Weight	14,4 kg
Certified to	IP44	Mounting acc. incl.	3 installation sets, order no. 49621.9 1 installation set, order no. 49622.0
Energy label	A+	Mounting information	The fortification walls must meet the requirements of the furniture in terms of weight and the supplied fasteners. This can not be guaranteed, another method of attachment is chosen. 230V power supply required.
Dimensions (WxHxD)	1300 x 700 x 38 mm		
Specification	hardwired for room switch Mirror glass 4 mm with security foil, integrated in aluminum frame electro polished With integrated horizontal LED lighting 4000 Kelvin, IP44, 230V, 50/60 Hz Electrical power (W): main light 15,0W		

TECHNICAL DRAWINGS / S 1 : 20



LEELO MIRROR

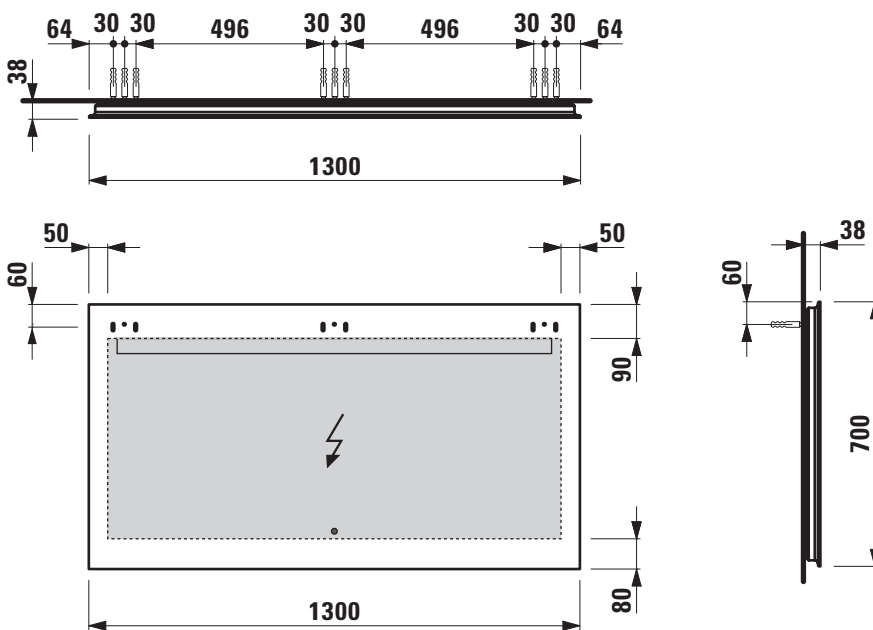
Mirror with LED lighting 1 touch sensor 44768.2



TECHNICAL DATA

Order no.	44768.2	Weight	14,5 kg
Certified to	IP44	Mounting acc. incl.	3 installation sets, order no. 49621.9 1 installation set, order no. 49622.0
Energy label	A++	Mounting information	The fortification walls must meet the requirements of the furniture in terms of weight and the supplied fasteners. This can not be guaranteed, another method of attachment is chosen. 230V power supply required.
Dimensions (WxHxD)	1300 x 700 x 38 mm		
Specification	1 touch sensor (on-off/dimming) with memory function, last light state is remembered Mirror glass 4 mm with security foil, integrated in aluminum frame electro polished With integrated horizontal LED lighting 4000 Kelvin, IP44, 230V, 50/60 Hz Electrical power (W): main light 19,6W		

TECHNICAL DRAWINGS / S 1 : 20



LEELO MIRROR

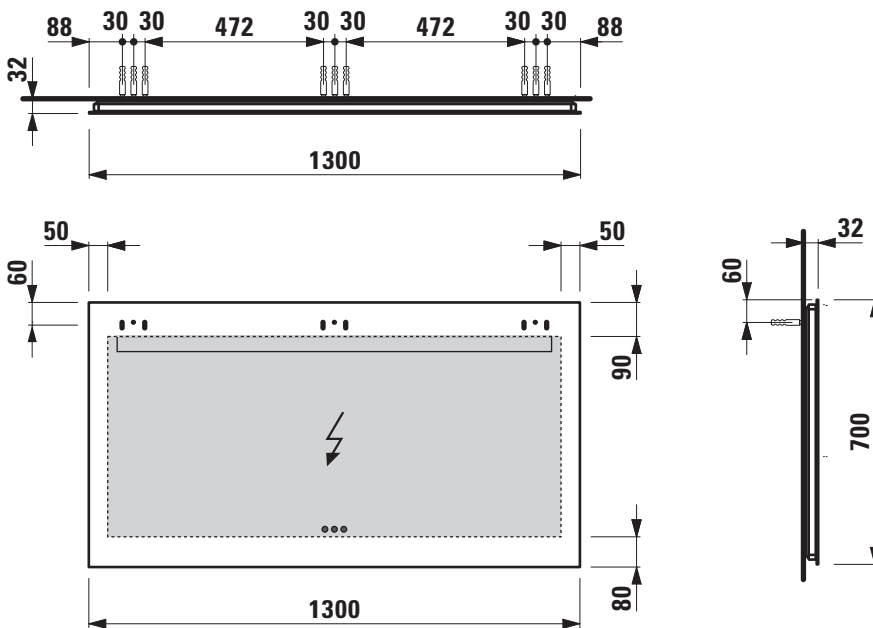
Mirror with LED lighting and ambient light 3 touch sensors 44768.3



TECHNICAL DATA

Order no.	44768.3	Specification	Electrical power (W): main light 19,6W / ambient light 35,7W
Certified to	IP44	Weight	15,0 kg
Energy label	A++	Mounting acc. incl.	3 installation sets, order no. 49621.9 1 installation set, order no. 49622.0
Dimensions (WxHxD)	1300 x 700 x 32 mm	Mounting information	The fortification walls must meet the requirements of the furniture in terms of weight and the supplied fasteners. This can not be guaranteed, another method of attachment is chosen. 230V power supply required.
Specification	3 touch sensors (on-off/dimming, colour temperature change) with memory function, last light state is remembered Mirror glass 4 mm with security foil, integrated in aluminum frame electro polished With integrated horizontal LED lighting With peripheral LED ambient lighting 2700-6000 Kelvin (dynamic white, pre-sets 2700, 4000, 6000 Kelvin), main light and ambient light synchronized, IP44, 230V, 50/60 Hz		

TECHNICAL DRAWINGS / S 1 : 20

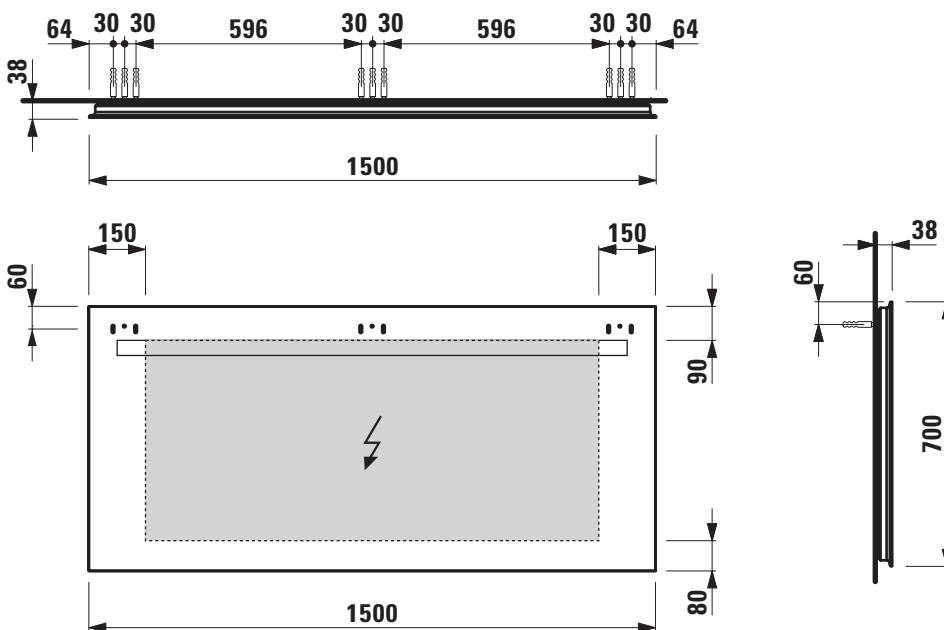




TECHNICAL DATA

Order no.	44769.1	Weight	16,6 kg
Certified to	IP44	Mounting acc. incl.	3 installation sets, order no. 49621.9 1 installation set, order no. 49622.0
Energy label	A+	Mounting information	The fortification walls must meet the requirements of the furniture in terms of weight and the supplied fasteners. This can not be guaranteed, another method of attachment is chosen. 230V power supply required.
Dimensions (WxHxD)	1500 x 700 x 38 mm		
Specification	hardwired for room switch Mirror glass 4 mm with security foil, integrated in aluminum frame electro polished With integrated horizontal LED lighting 4000 Kelvin, IP44, 230V, 50/60 Hz Electrical power (W): main light 17,0W		

TECHNICAL DRAWINGS / S 1 : 20



LEELO MIRROR

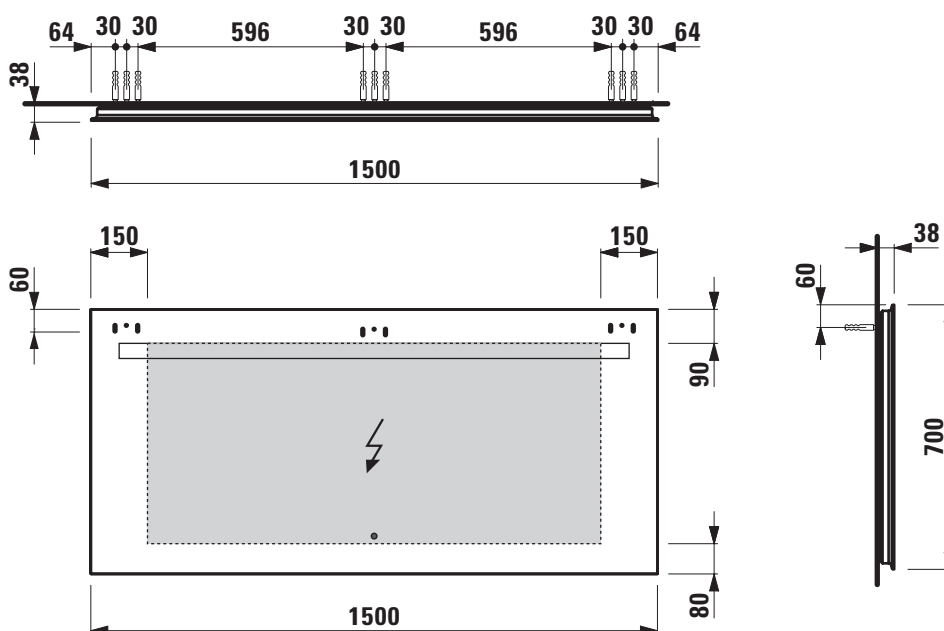
Mirror with LED lighting 1 touch sensor 44769.2



TECHNICAL DATA

Order no.	44769.2	Weight	16,7 kg
Certified to	IP44	Mounting acc. incl.	3 installation sets, order no. 49621.9 1 installation set, order no. 49622.0
Energy label	A++	Mounting information	The fortification walls must meet the requirements of the furniture in terms of weight and the supplied fasteners. This can not be guaranteed, another method of attachment is chosen. 230V power supply required.
Dimensions (WxHxD)	1500 x 700 x 38 mm		
Specification	1 touch sensor (on-off/dimming) with memory function, last light state is remembered Mirror glass 4 mm with security foil, integrated in aluminum frame electro polished With integrated horizontal LED lighting 4000 Kelvin, IP44, 230V, 50/60 Hz Electrical power (W): main light 23,0W		

TECHNICAL DRAWINGS / S 1 : 20



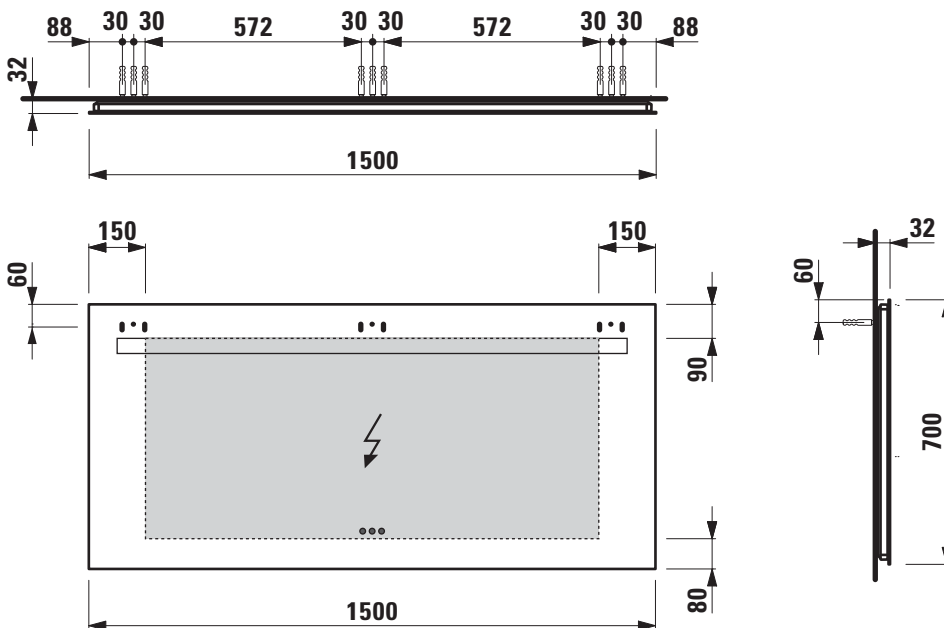
**Mirror with LED lighting and ambient light
3 touch sensors
44769.3**



TECHNICAL DATA

Order no.	44769.3	Specification	Electrical power (W): main light 23,0W / ambient light 39,6W
Certified to	IP44	Weight	17,4 kg
Energy label	A++	Mounting acc. incl.	3 installation sets, order no. 49621.9 1 installation set, order no. 49622.0
Dimensions (WxHxD)	1500 x 700 x 32 mm	Mounting information	The fortification walls must meet the requirements of the furniture in terms of weight and the supplied fasteners. This can not be guaranteed, another method of attachment is chosen. 230V power supply required.
Specification	3 touch sensors (on-off/dimming, colour temperature change) with memory function, last light state is remembered Mirror glass 4 mm with security foil, integrated in aluminum frame electro polished With integrated horizontal LED lighting With peripheral LED ambient lighting 2700-6000 Kelvin (dynamic white, pre-sets 2700, 4000, 6000 Kelvin), main light and ambient light synchronized, IP44, 230V, 50/60 Hz		

TECHNICAL DRAWINGS / S 1 : 20

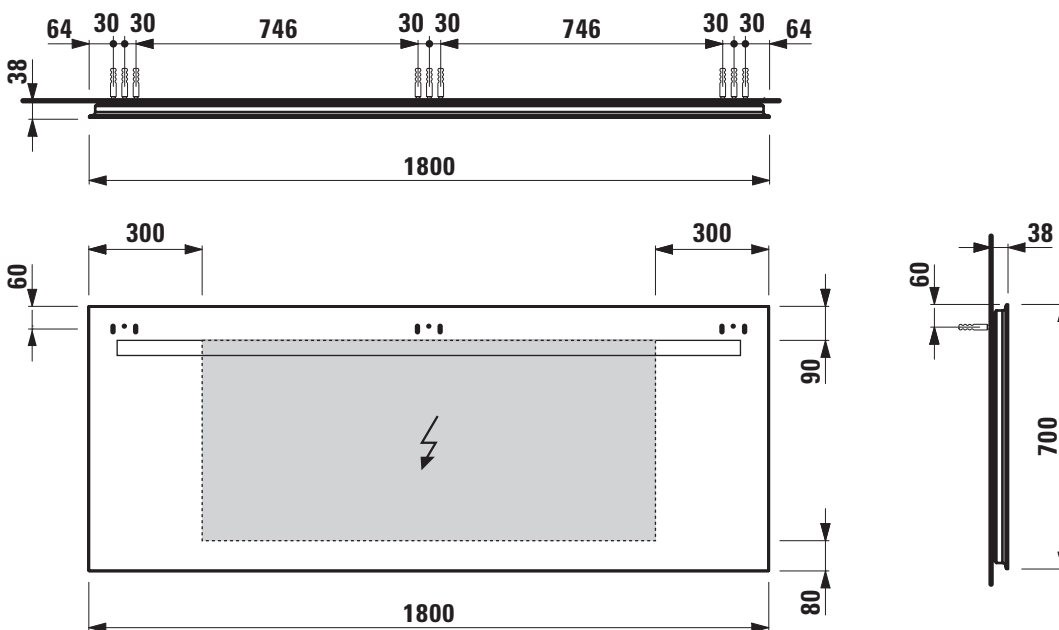




TECHNICAL DATA

Order no.	44770.1	Weight	19,7 kg
Certified to	IP44	Mounting acc. incl.	3 installation sets, order no. 49621.9 1 installation set, order no. 49622.0
Energy label	A+	Mounting information	The fortification walls must meet the requirements of the furniture in terms of weight and the supplied fasteners. This can not be guaranteed, another method of attachment is chosen. 230V power supply required.
Dimensions (WxHxD)	1800 x 700 x 38 mm		
Specification	hardwired for room switch Mirror glass 4 mm with security foil, integrated in aluminum frame electro polished With integrated horizontal LED lighting 4000 Kelvin, IP44, 230V, 50/60 Hz Electrical power (W): main light 19,0W		

TECHNICAL DRAWINGS / S 1 : 20



LEELO MIRROR

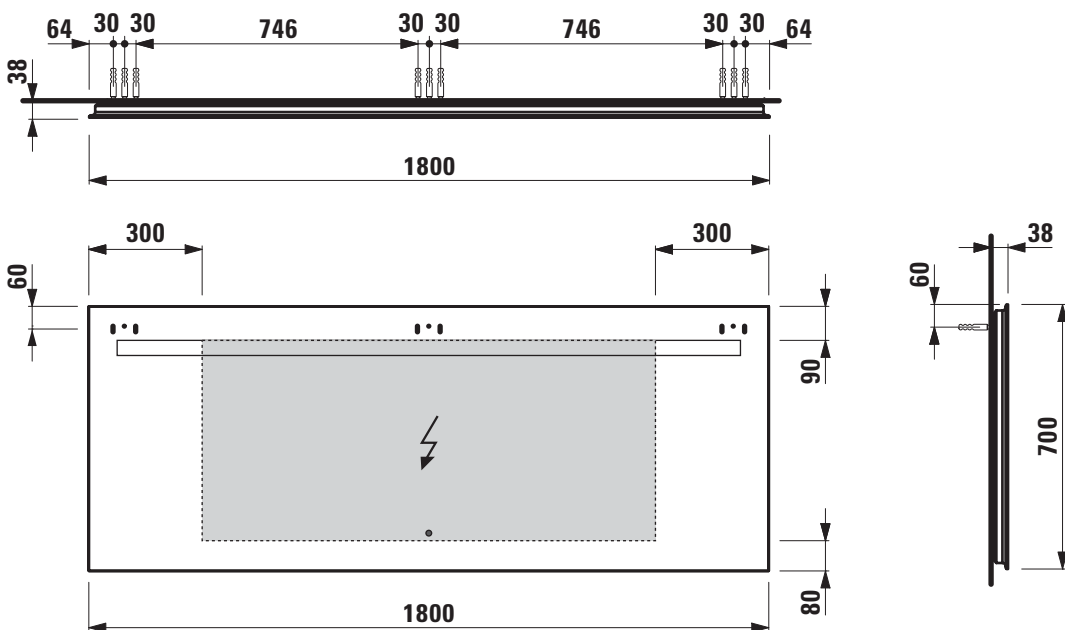
Mirror with LED lighting 1 touch sensor 44770.2



TECHNICAL DATA

Order no.	44770.2	Weight	44770.2 – 19,8 kg
Certified to	IP44	Mounting acc. incl.	3 installation sets, order no. 49621.9 1 installation set, order no. 49622.0
Energy label	A++	Mounting information	The fortification walls must meet the requirements of the furniture in terms of weight and the supplied fasteners. This can not be guaranteed, another method of attachment is chosen. 230V power supply required.
Dimensions (WxHxD)	1800 x 700 x 38 mm		
Specification	1 touch sensor (on-off/dimming) with memory function, last light state is remembered Mirror glass 4 mm with security foil, integrated in aluminum frame electro polished With integrated horizontal LED lighting 4000 Kelvin, IP44, 230V, 50/60 Hz Electrical power (W): main light 28,1W		

TECHNICAL DRAWINGS / S 1 : 20



LEELO MIRROR

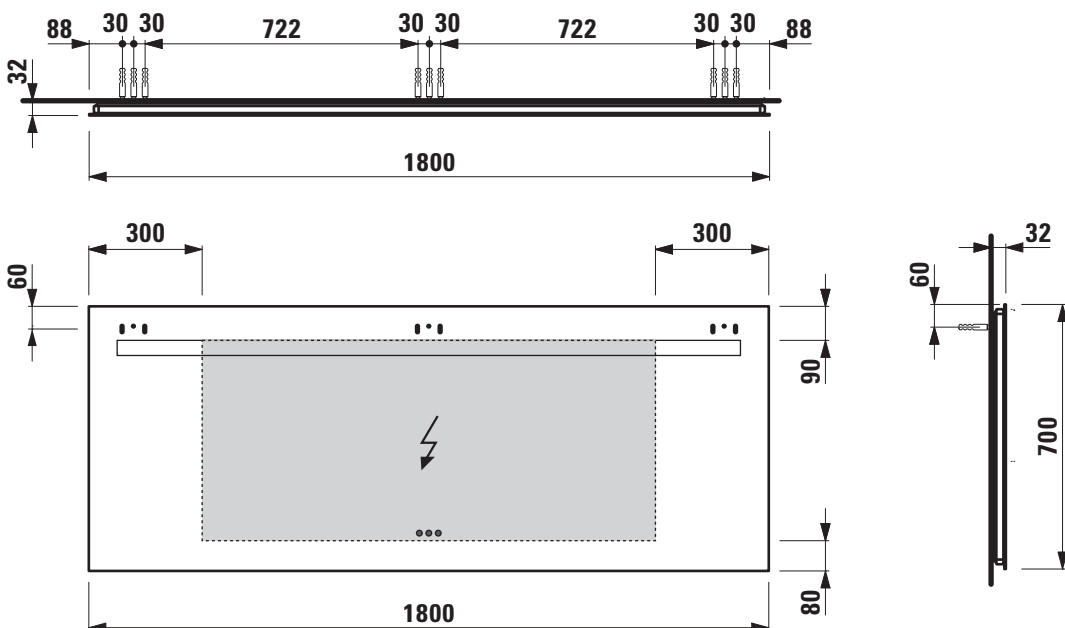
Mirror with LED lighting and ambient light 3 touch sensors 44770.3



TECHNICAL DATA

Order no.	44770.3	Specification	Electrical power (W): main light 28,1W / ambient light 45,3W
Certified to	IP44	Weight	20,7 kg
Energy label	A++	Mounting acc. incl.	3 installation sets, order no. 49621.9 1 installation set, order no. 49622.0
Dimensions (WxHxD)	1800 x 700 x 32 mm	Mounting information	The fortification walls must meet the requirements of the furniture in terms of weight and the supplied fasteners. This can not be guaranteed, another method of attachment is chosen. 230V power supply required.
Specification	3 touch sensors (on-off/dimming, colour temperature change) with memory function, last light state is remembered Mirror glass 4 mm with security foil, integrated in aluminum frame electro polished With integrated horizontal LED lighting With peripheral LED ambient lighting 2700-6000 Kelvin (dynamic white, pre-sets 2700, 4000, 6000 Kelvin), main light and ambient light synchronized, IP44, 230V, 50/60 Hz		

TECHNICAL DRAWINGS / S 1 : 20



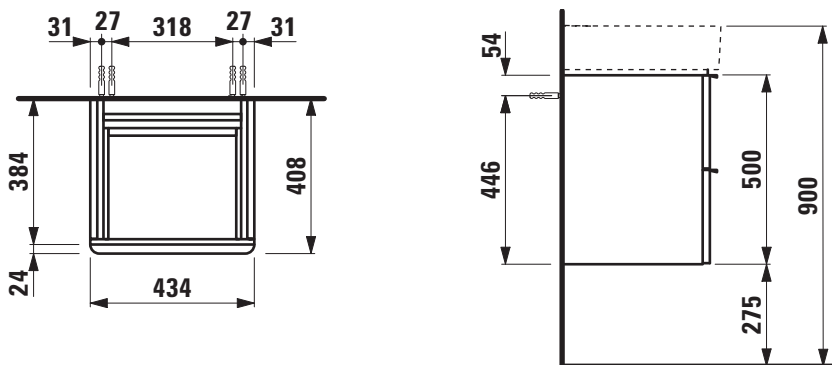
SPACE FURNITURE



TECHNICAL DATA

Order no.	41010.2 / 2 drawers	Accessories excl.	Feet (2 pieces), aluminium, order no. 41122.0
Dimensions (WxHxD)	434 x 500 x 408 mm		Towel rail, anodized aluminium, order no. 49095.1
Matching for	Washbasin, order no. 81528.1		Space saving siphon, order no. 89424.0
Specification	Body/Front – high-pressure laminate surface (HPL) - water resistant, high impact and scratch resistant extruded anodised aluminium drawer front frame-handle combination drawer fronts 3 mm solide-core HPL material 2 full extension drawers (soft-close mechanism)	Mounting acc. incl.	Installation set for furniture, order no. 49114.0
Weight	18,5 kg	Mounting information	The walls installed on must meet the requirements of the furniture in terms of weight and the supplied fastening elements. If this cannot be guaranteed another method of installation needs to be chosen. For example with feet.
Accessories excl.	Drawer separation small (white matt) 200 x 45 x 244 mm, order no. 49540.0 200 x 45 x 276 mm, order no. 49540.1 200 x 45 x 324 mm, order no. 49540.2 Drawer separation large (white matt) 320 x 45 x 244 mm, order no. 49540.4 320 x 45 x 276 mm, order no. 49540.5 320 x 45 x 324 mm, order no. 49540.6	Colours Body/Front/ Frame with handle	100 – White matt, with light aluminium frame 101 – Light walnut, with light aluminium frame 103 – Dark elm, with dark aluminium frame 999 – 39 other lacquered colours on request, available with light or dark aluminium frame
		Colours Feet	light or dark aluminium feet

TECHNICAL DRAWINGS / S 1 : 20

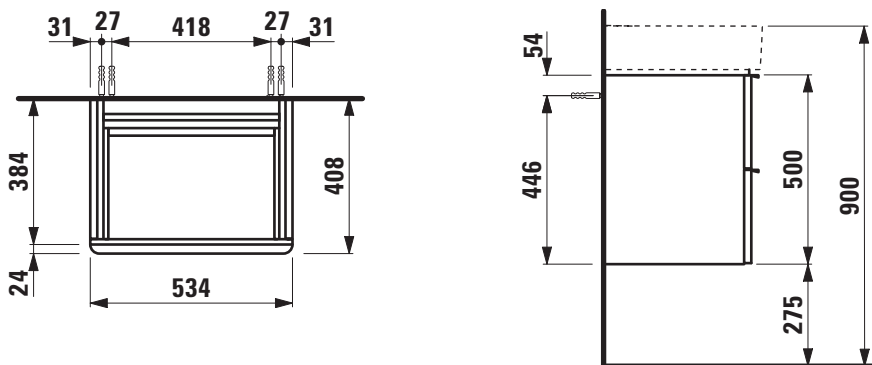




TECHNICAL DATA

Order no.	41012.2 / 2 drawers	Accessories excl.	Feet (2 pieces), aluminium, order no. 41122.0 Towel rail, anodized aluminium, order no. 49095.1 Space saving siphon, order no. 89424.0
Dimensions (WxHxD)	534 x 500 x 408 mm	Mounting acc. incl.	Installation set for furniture, order no. 49114.0
Matching for	Washbasin, order no. 81028.2	Mounting information	The walls installed on must meet the requirements of the furniture in terms of weight and the supplied fastening elements. If this cannot be guaranteed another method of installation needs to be chosen. For example with feet.
Specification	Body/Front – high-pressure laminate surface (HPL) - water resistant, high impact and scratch resistant extruded anodised aluminium drawer front frame-handle combination drawer fronts 3 mm solide-core HPL material 2 full extension drawers (soft-close mechanism)	Colours Body/Front/ Frame with handle	100 – White matt, with light aluminium frame 101 – Light walnut, with light aluminium frame 103 – Dark elm, with dark aluminium frame 999 – 39 other lacquered colours on request, available with light or dark aluminium frame
Weight	19,5 kg	Colours Feet	light or dark aluminium feet
Accessories excl.	Drawer separation small (white matt) 200 x 45 x 244 mm, order no. 49540.0 200 x 45 x 276 mm, order no. 49540.1 200 x 45 x 324 mm, order no. 49540.2 Drawer separation large (white matt) 320 x 45 x 244 mm, order no. 49540.4 320 x 45 x 276 mm, order no. 49540.5 320 x 45 x 324 mm, order no. 49540.6		

TECHNICAL DRAWINGS / S 1 : 20

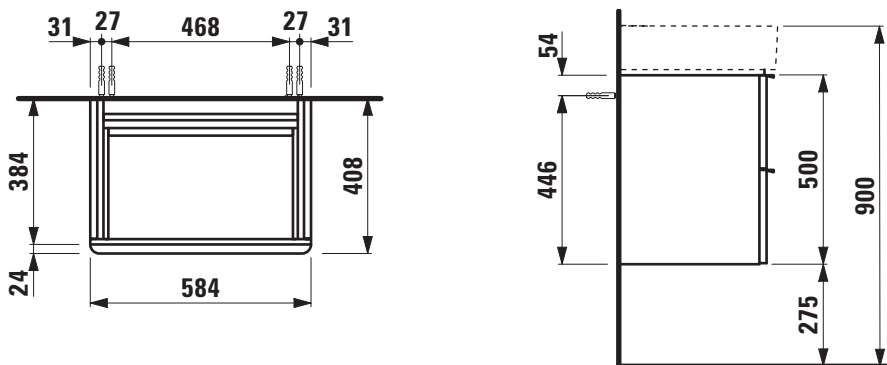




TECHNICAL DATA

Order no.	41014.2 / 2 drawers	Accessories excl.	Feet (2 pieces), aluminium, order no. 41122.0
Dimensions (WxHxD)	584 x 500 x 408 mm		Towel rail, anodized aluminium, order no. 49095.1
Matching for	Washbasin, order no. 81028.3		Space saving siphon, order no. 89424.0
Specification	Body/Front – high-pressure laminate surface (HPL) - water resistant, high impact and scratch resistant extruded anodised aluminium drawer front frame-handle combination drawer fronts 3 mm solide-core HPL material 2 full extension drawers (soft-close mechanism)	Mounting acc. incl.	Installation set for furniture, order no. 49114.0
Weight	21,5 kg	Mounting information	The walls installed on must meet the requirements of the furniture in terms of weight and the supplied fastening elements. If this cannot be guaranteed another method of installation needs to be chosen. For example with feet.
Accessories excl.	Drawer separation small (white matt) 200 x 45 x 244 mm, order no. 49540.0 200 x 45 x 276 mm, order no. 49540.1 200 x 45 x 324 mm, order no. 49540.2 Drawer separation large (white matt) 320 x 45 x 244 mm, order no. 49540.4 320 x 45 x 276 mm, order no. 49540.5 320 x 45 x 324 mm, order no. 49540.6	Colours Body/Front/ Frame with handle	100 – White matt, with light aluminium frame 101 – Light walnut, with light aluminium frame 103 – Dark elm, with dark aluminium frame 999 – 39 other lacquered colours on request, available with light or dark aluminium frame
		Colours Feet	light or dark aluminium feet

TECHNICAL DRAWINGS / S 1 : 20

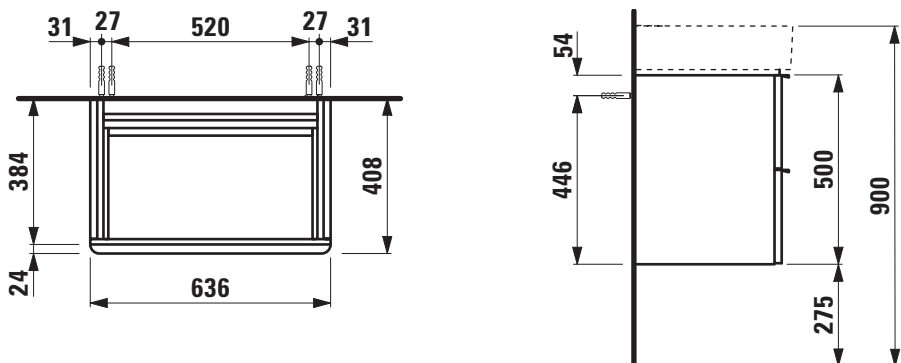




TECHNICAL DATA

Order no.	41016.2 / 2 drawers	Accessories excl.	Feet (2 pieces), aluminium, order no. 41122.0 Towel rail, anodized aluminium, order no. 49095.1 Space saving siphon, order no. 89424.0
Dimensions (WxHxD)	636 x 500 x 408 mm	Mounting acc. incl.	Installation set for furniture, order no. 49114.0
Matching for	Washbasin, order no. 81028.4	Mounting information	The walls installed on must meet the requirements of the furniture in terms of weight and the supplied fastening elements. If this cannot be guaranteed another method of installation needs to be chosen. For example with feet.
Specification	Body/Front – high-pressure laminate surface (HPL) - water resistant, high impact and scratch resistant extruded anodised aluminium drawer front frame-handle combination drawer fronts 3 mm solide-core HPL material 2 full extension drawers (soft-close mechanism)	Colours Body/Front/ Frame with handle	100 – White matt, with light aluminium frame 101 – Light walnut, with light aluminium frame 103 – Dark elm, with dark aluminium frame 999 – 39 other lacquered colours on request, available with light or dark aluminium frame
Weight	22,5 kg	Colours Feet	light or dark aluminium feet
Accessories excl.	Drawer separation small (white matt) 200 x 45 x 244 mm, order no. 49540.0 200 x 45 x 276 mm, order no. 49540.1 200 x 45 x 324 mm, order no. 49540.2 Drawer separation large (white matt) 320 x 45 x 244 mm, order no. 49540.4 320 x 45 x 276 mm, order no. 49540.5 320 x 45 x 324 mm, order no. 49540.6		

TECHNICAL DRAWINGS / S 1 : 20

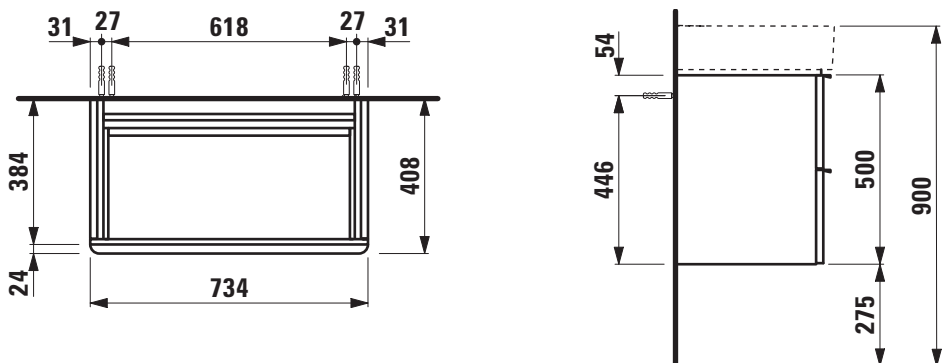




TECHNICAL DATA

Order no.	41018.2 / 2 drawers	Accessories excl.	Feet (2 pieces), aluminium, order no. 41122.0 Towel rail, anodized aluminium, order no. 49095.1 Space saving siphon, order no. 89424.0
Dimensions (WxHxD)	734 x 500 x 408 mm	Mounting acc. incl.	Installation set for furniture, order no. 49114.0
Matching for	Washbasin, order no. 81028.5	Mounting information	The walls installed on must meet the requirements of the furniture in terms of weight and the supplied fastening elements. If this cannot be guaranteed another method of installation needs to be chosen. For example with feet.
Specification	Body/Front – high-pressure laminate surface (HPL) - water resistant, high impact and scratch resistant extruded anodised aluminium drawer front frame-handle combination drawer fronts 3 mm solide-core HPL material 2 full extension drawers (soft-close mechanism)	Colours Body/Front/ Frame with handle	100 – White matt, with light aluminium frame 101 – Light walnut, with light aluminium frame 103 – Dark elm, with dark aluminium frame 999 – 39 other lacquered colours on request, available with light or dark aluminium frame
Weight	25,5 kg	Colours Feet	light or dark aluminium feet
Accessories excl.	Drawer separation small (white matt) 200 x 45 x 244 mm, order no. 49540.0 200 x 45 x 276 mm, order no. 49540.1 200 x 45 x 324 mm, order no. 49540.2 Drawer separation large (white matt) 320 x 45 x 244 mm, order no. 49540.4 320 x 45 x 276 mm, order no. 49540.5 320 x 45 x 324 mm, order no. 49540.6		

TECHNICAL DRAWINGS / S 1 : 20

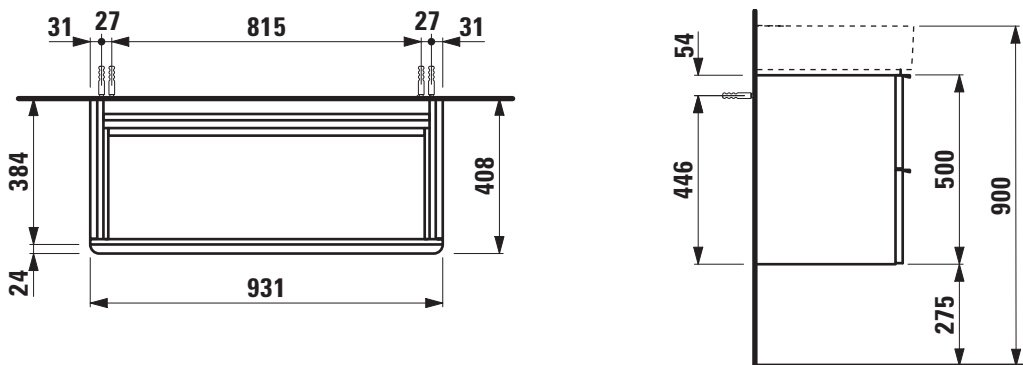




TECHNICAL DATA

Order no.	41020.2 / 2 drawers	Accessories excl.	Feet (2 pieces), aluminium, order no. 41122.0 Towel rail, anodized aluminium, order no. 49095.1 Space saving siphon, order no. 89424.0
Dimensions (WxHxD)	931 x 500 x 408 mm	Mounting acc. incl.	Installation set for furniture, order no. 49114.0
Matching for	Washbasin, order no. 81028.7	Mounting information	The walls installed on must meet the requirements of the furniture in terms of weight and the supplied fastening elements. If this cannot be guaranteed another method of installation needs to be chosen. For example with feet.
Specification	Body/Front – high-pressure laminate surface (HPL) - water resistant, high impact and scratch resistant extruded anodised aluminium drawer front frame-handle combination drawer fronts 3 mm solide-core HPL material 2 full extension drawers (soft-close mechanism)	Colours Body/Front/ Frame with handle	100 – White matt, with light aluminium frame 101 – Light walnut, with light aluminium frame 103 – Dark elm, with dark aluminium frame 999 – 39 other lacquered colours on request, available with light or dark aluminium frame
Weight	28,5 kg	Colours Feet	light or dark aluminium feet
Accessories excl.	Drawer separation small (white matt) 200 x 45 x 244 mm, order no. 49540.0 200 x 45 x 276 mm, order no. 49540.1 200 x 45 x 324 mm, order no. 49540.2 Drawer separation large (white matt) 320 x 45 x 244 mm, order no. 49540.4 320 x 45 x 276 mm, order no. 49540.5 320 x 45 x 324 mm, order no. 49540.6		

TECHNICAL DRAWINGS / S 1 : 20



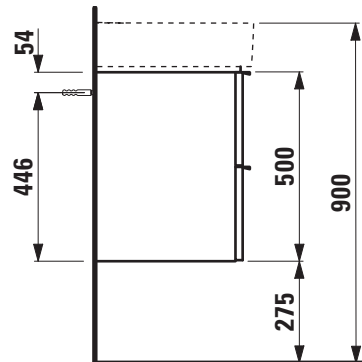
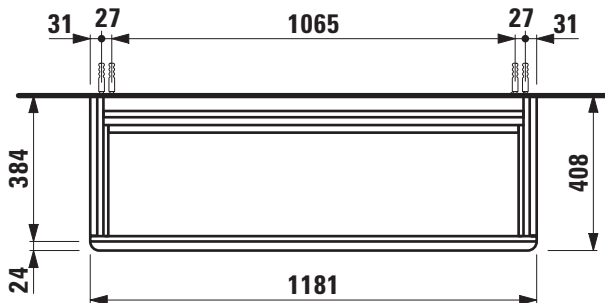


TECHNICAL DATA

Order no.	41022.2 / 2 drawers
Dimensions (WxHxD)	1181 x 500 x 408 mm
Matching for	Washbasin, order no. 81028.9 Double washbasin, order no. 81428.2
Specification	Body/Front – high-pressure laminate surface (HPL) - water resistant, high impact and scratch resistant extruded anodised aluminium drawer front frame-handle combination drawer fronts 3 mm solide-core HPL material 2 full extension drawers (soft-close mechanism)
Weight	34,5 kg
Accessories excl.	Drawer separation small (white matt) 200 x 45 x 244 mm, order no. 49540.0 200 x 45 x 276 mm, order no. 49540.1 200 x 45 x 324 mm, order no. 49540.2 Drawer separation large (white matt) 320 x 45 x 244 mm, order no. 49540.4 320 x 45 x 276 mm, order no. 49540.5 320 x 45 x 324 mm, order no. 49540.6

Accessories excl.	Feet (2 pieces), aluminium, order no. 41122.0 Towel rail, anodized aluminium, order no. 49095.1 Space saving siphon, order no. 89424.0
Mounting acc. incl.	Installation set for furniture, order no. 49114.0
Mounting information	The walls installed on must meet the requirements of the furniture in terms of weight and the supplied fastening elements. If this cannot be guaranteed another method of installation needs to be chosen. For example with feet.
Colours Body/Front/ Frame with handle	100 – White matt, with light aluminium frame 101 – Light walnut, with light aluminium frame 103 – Dark elm, with dark aluminium frame 999 – 39 other lacquered colours on request, available with light or dark aluminium frame
Colours Feet	light or dark aluminium feet

TECHNICAL DRAWINGS / S 1 : 20



SPACE FURNITURE

Open shelf element

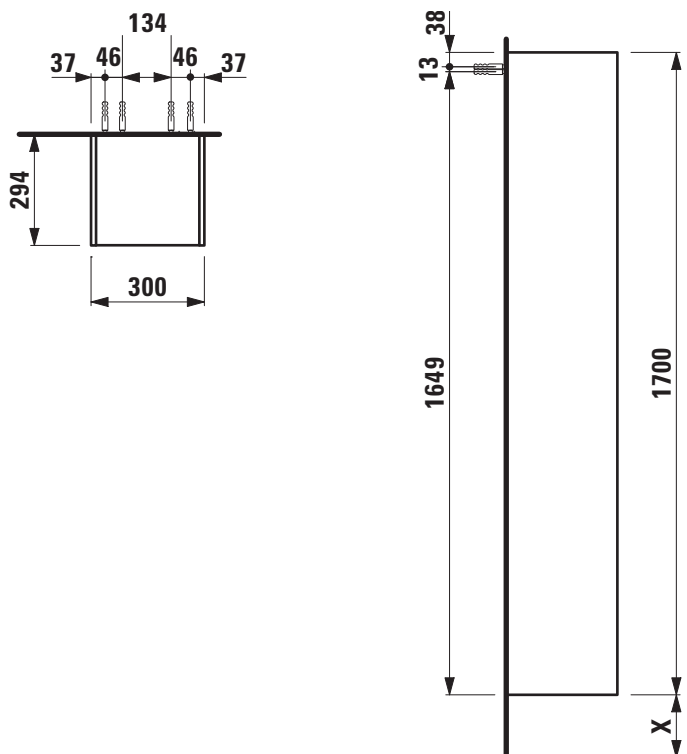
41090.0



TECHNICAL DATA

Order no.	41090.0	Mounting information	The walls installed on must meet the requirements of the furniture in terms of weight and the supplied fastening elements. If this cannot be guaranteed another method of installation needs to be chosen. For example with feet.
Dimensions (WxHxD)	300 x 1700 x 294 mm	Colours Body	100 – White matt 101 – Light walnut 103 – Dark elm 999 – 39 other lacquered colours on request
Specification	Body – high-pressure laminate surface (HPL) - water resistant, high impact and scratch resistant With hidden wall fixation 4 fixed shelves	Colours Feet	light or dark aluminium feet
Weight	18,5 kg		
Accessories excl.	Feet (2 pieces), aluminium, order no. 41122.0		
Mounting acc. incl.	Installation set for furniture, order no. 49401.2		

TECHNICAL DRAWINGS / S 1 : 20

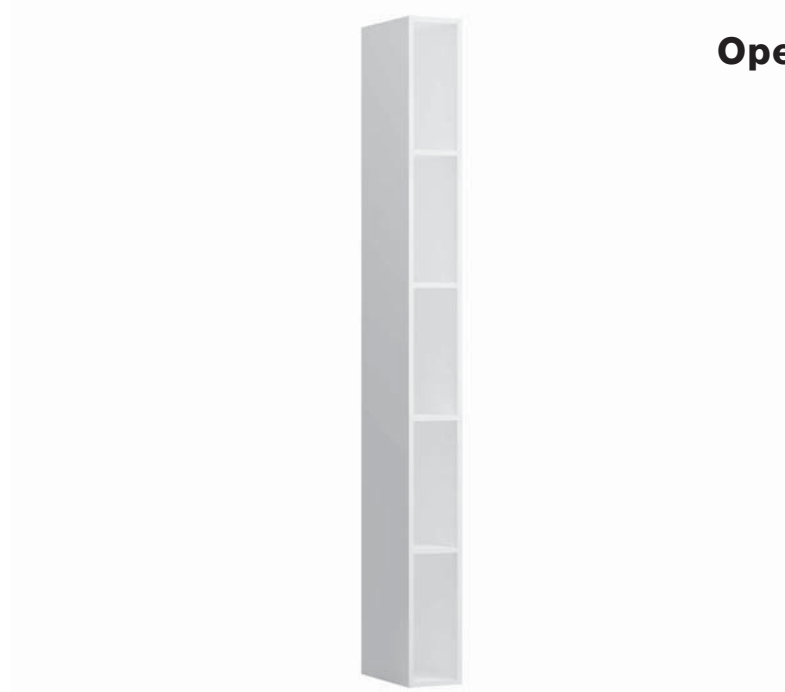


X = The exact height must be set during installation.

SPACE FURNITURE

Open shelf element

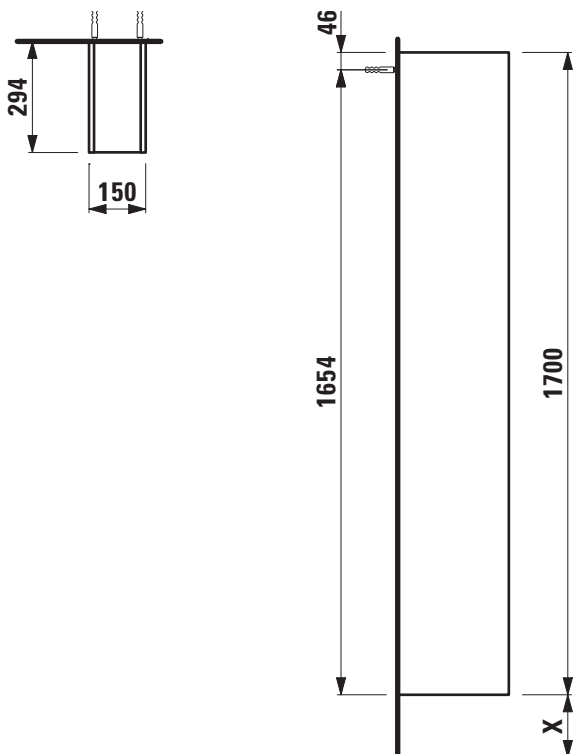
41090.5



TECHNICAL DATA

Order no.	41090.5	Mounting information	The walls installed on must meet the requirements of the furniture in terms of weight and the supplied fastening elements. If this cannot be guaranteed another method of installation needs to be chosen. For example with feet.
Dimensions (WxHxD)	150 x 1700 x 294 mm	Colours Body	100 – White matt 101 – Light walnut 103 – Dark elm 999 – 39 other lacquered colours on request
Specification	Body – high-pressure laminate surface (HPL) - water resistant, high impact and scratch resistant With hidden wall fixation 4 fixed shelves	Colours Feet	light or dark aluminium feet
Weight	14,0 kg		
Accessories excl.	Feet (2 pieces), aluminium, order no. 41122.0		
Mounting acc. incl.	Installation set for furniture, order no. 49377.8		

TECHNICAL DRAWINGS / S 1 : 20



X = The exact height must be set during installation.

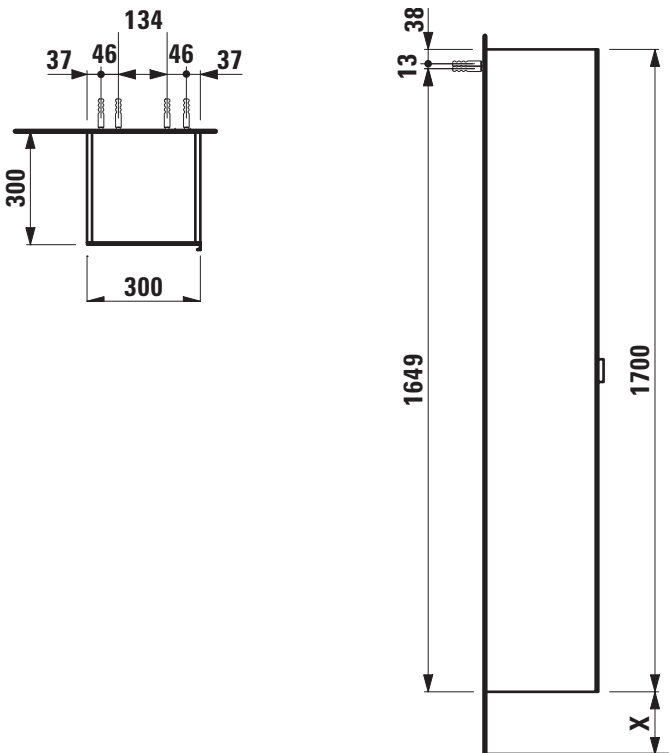
Tall cabinet
41090.1



TECHNICAL DATA

Order no.	41090.1 / door hinge left or right	Mounting information	The walls installed on must meet the requirements of the furniture in terms of weight and the supplied fastening elements. If this cannot be guaranteed another method of installation needs to be chosen. For example with feet.
Dimensions (WxHxD)	300 x 1700 x 300 mm	Colours Body/Handle	100 – White matt, with light aluminium handle 101 – Light walnut, with light aluminium handle 103 – Dark elm, with dark aluminium handle 999 – 39 other lacquered colours on request, available with light or dark aluminium handle
Specification	Body – high-pressure laminate surface (HPL) - water resistant, high impact and scratch resistant Anodised aluminium handle 1 door mirrored inside and outside (soft-close mechanism) 4 glass shelves (adjustable)	Colours Feet	light or dark aluminium feet
Weight	28,0 kg		
Accessories excl.	Feet (2 pieces), aluminium, order no. 41122.0		
Mounting acc. incl.	Installation set for furniture, order no. 49401.2		

TECHNICAL DRAWINGS / S 1 : 20



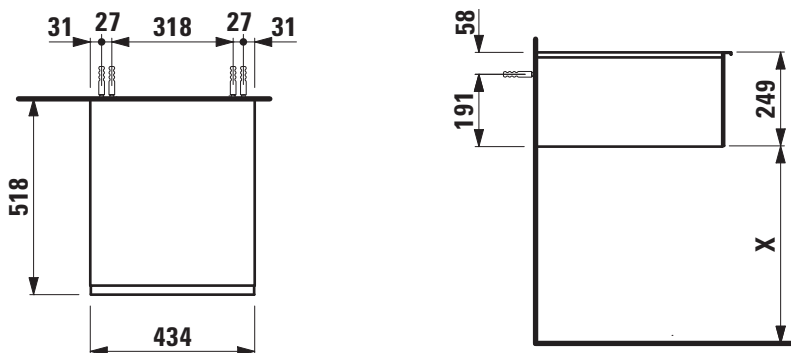
X = The exact height must be set during installation.



TECHNICAL DATA

Order no.	41110.1 / 1 drawer	Mounting information	The walls installed on must meet the requirements of the furniture in terms of weight and the supplied fastening elements. If this cannot be guaranteed another method of installation needs to be chosen. For example with feet.
Dimensions (WxHxD)	434 x 249 x 518 mm	Colours Body/Front/ Frame with handle	100 – White matt, with light aluminium frame 101 – Light walnut, with light aluminium frame 103 – Dark elm, with dark aluminium frame 999 – 39 other lacquered colours on request, available with light or dark aluminium frame
Specification	Body/Front – high-pressure laminate surface (HPL) - water resistant, high impact and scratch resistant extruded anodised aluminium drawer front frame-handle combination drawer fronts 3 mm solide-core HPL material 1 drawer (soft-close mechanism)	Colours Feet	light or dark aluminium feet
Weight	14,5 kg		
Accessories excl.	Drawer separation small (white matt) 200 x 45 x 244 mm, order no. 49540.0 200 x 45 x 276 mm, order no. 49540.1 200 x 45 x 324 mm, order no. 49540.2 Drawer separation large (white matt) 320 x 45 x 244 mm, order no. 49540.4 320 x 45 x 276 mm, order no. 49540.5 320 x 45 x 324 mm, order no. 49540.6 Feet (2 pieces), aluminium, order no. 41122.0		
Mounting acc. incl.	Installation set for furniture, order no. 49114.0		

TECHNICAL DRAWINGS / S 1 : 20



X = The exact height must be set during installation.

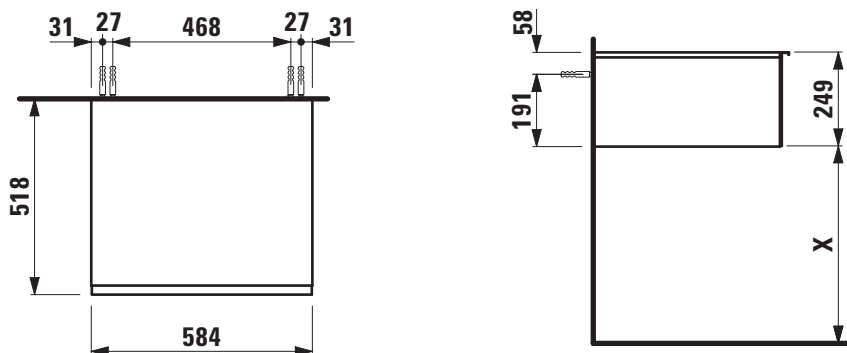


TECHNICAL DATA

Order no.	41113.1 / 1 drawer
Dimensions (WxHxD)	584 x 249 x 518 mm
Specification	Body/Front – high-pressure laminate surface (HPL) - water resistant, high impact and scratch resistant extruded anodised aluminium drawer front frame-handle combination drawer fronts 3 mm solide-core HPL material 1 drawer (soft-close mechanism)
Weight	18,0 kg
Accessories excl.	Drawer separation small (white matt) 200 x 45 x 244 mm, order no. 49540.0 200 x 45 x 276 mm, order no. 49540.1 200 x 45 x 324 mm, order no. 49540.2 Drawer separation large (white matt) 320 x 45 x 244 mm, order no. 49540.4 320 x 45 x 276 mm, order no. 49540.5 320 x 45 x 324 mm, order no. 49540.6 Feet (2 pieces), aluminium, order no. 41122.0
Mounting acc. incl.	Installation set for furniture, order no. 49114.0

Mounting information	The walls installed on must meet the requirements of the furniture in terms of weight and the supplied fastening elements. If this cannot be guaranteed another method of installation needs to be chosen. For example with feet.
Colours Body/Front/Frame with handle	100 – White matt, with light aluminium frame 101 – Light walnut, with light aluminium frame 103 – Dark elm, with dark aluminium frame 999 – 39 other lacquered colours on request, available with light or dark aluminium frame
Colours Feet	light or dark aluminium feet

TECHNICAL DRAWINGS / S 1 : 20



X = The exact height must be set during installation.

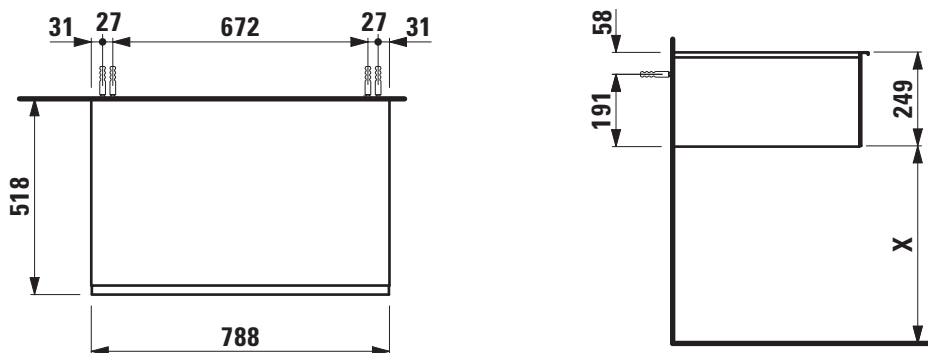


TECHNICAL DATA

Order no.	41116.1 / 1 drawer
Dimensions (WxHxD)	788 x 249 x 518 mm
Specification	Body/Front – high-pressure laminate surface (HPL) - water resistant, high impact and scratch resistant extruded anodised aluminium drawer front frame-handle combination drawer fronts 3 mm solide-core HPL material 1 drawer (soft-close mechanism)
Weight	21,5 kg
Accessories excl.	Drawer separation small (white matt) 200 x 45 x 244 mm, order no. 49540.0 200 x 45 x 276 mm, order no. 49540.1 200 x 45 x 324 mm, order no. 49540.2 Drawer separation large (white matt) 320 x 45 x 244 mm, order no. 49540.4 320 x 45 x 276 mm, order no. 49540.5 320 x 45 x 324 mm, order no. 49540.6 Feet (2 pieces), aluminium, order no. 41122.0
Mounting acc. incl.	Installation set for furniture, order no. 49114.0

Mounting information	The walls installed on must meet the requirements of the furniture in terms of weight and the supplied fastening elements. If this cannot be guaranteed another method of installation needs to be chosen. For example with feet.
Colours Body/Front/ Frame with handle	100 – White matt, with light aluminium frame 101 – Light walnut, with light aluminium frame 103 – Dark elm, with dark aluminium frame 999 – 39 other lacquered colours on request, available with light or dark aluminium frame
Colours Feet	light or dark aluminium feet

TECHNICAL DRAWINGS / S 1 : 20



X = The exact height must be set during installation.

SPACE WASHTOPS

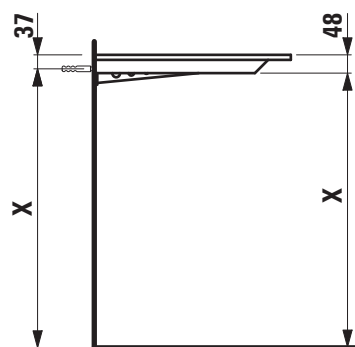
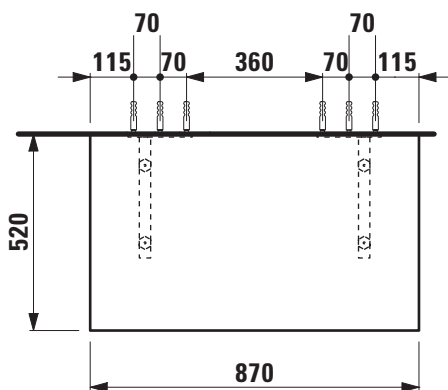


TECHNICAL DATA

Order no.	41095.0 / without cut out
Dimensions (WxHxD)	870 x 13 (48) x 520 mm
Specification	Body – high-pressure laminate surface (HPL) - water resistant, high impact and scratch resistant without cut out with 2 mounting brackets max. load 150 kg
Weight	11,0 kg
Mounting acc. incl.	Installation set, order no. 49052.2 and mounting brackets, order no. 49052.3, 49052.4

Mounting information	The walls installed on must meet the requirements of the furniture in terms of weight and the supplied fastening elements. If this cannot be guaranteed another method of installation needs to be chosen.
Colours	100 – White matt 101 – Light walnut 103 – Dark elm

TECHNICAL DRAWINGS / S 1 : 20



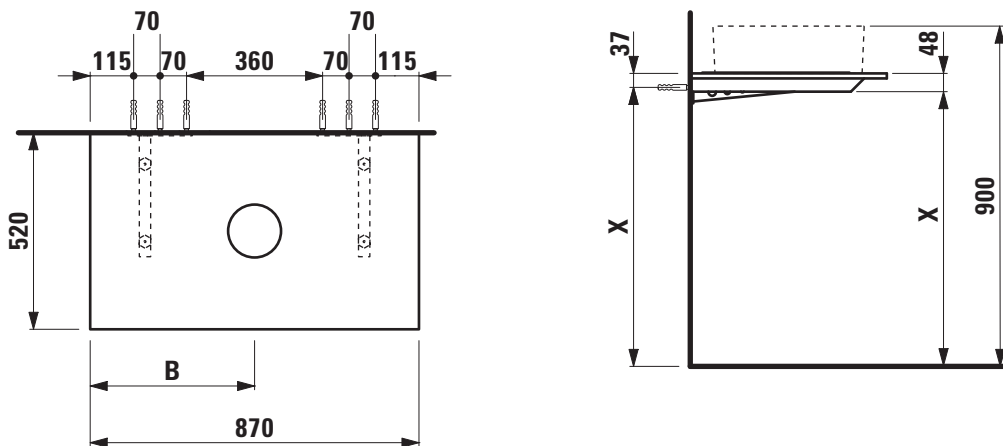
X = The exact height must be set during installation.



TECHNICAL DATA

Order no.	41095.3 / 1 cut out	Mounting acc. incl.	Installation set, order no. 49052.2 and mounting brackets, order no. 49052.3, 49052.4
Dimensions (WxHxD)	870 x 13 (48) x 520 mm	Mounting information	The walls installed on must meet the requirements of the furniture in terms of weight and the supplied fastening elements. If this cannot be guaranteed another method of installation needs to be chosen.
Matching for washbasin	see table below	Colours	100 – White matt 101 – Light walnut 103 – Dark elm
Specification	Body – high-pressure laminate surface (HPL) - water resistant, high impact and scratch resistant with cut out with 2 mounting brackets max. load 150 kg		
Weight	11,0 kg		

TECHNICAL DRAWINGS / S 1 : 20



B / mm	Ceramic
250	Palomba s1680.1
331	VAL s1228.2 (semi-wet-area right)
343	Val s1628.8
345	Palomba s1680.2
360	Kartell by Laufen s1033.4
385	Palomba s1680.3 Val s1228.1
510	Kartell by Laufen s1033.5
540	VAL s1228.2 (semi-wet-area left)

B / mm	Ceramic
435	Kartell by Laufen s1233.1, s1533.1, s1633.2
	Living SaphirKeramik s1143.3, s1143.4, s1143.5
	Living City s1143.0, s1143.1, s1143.2, s1743.2, s1743.4, s1743.7
	Ino s1230.0, s1230.2, s1630.0, s1630.2, s1730.1
	Ino s1730.2 (only wall mounted tap)
	Val s1328.1, s1628.0, s1628.2, s1628.3, s1628.4
	Val s1728.1 (only wall mounted tap)
	Laufen Pro S s1695.2
	Laufen Pro s1296.2, s1296.4

X = The exact height must be set during installation.



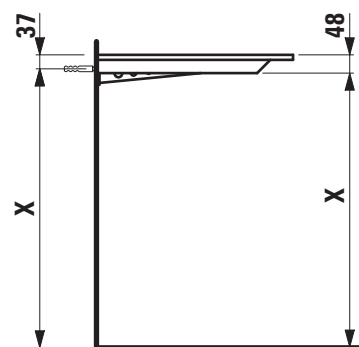
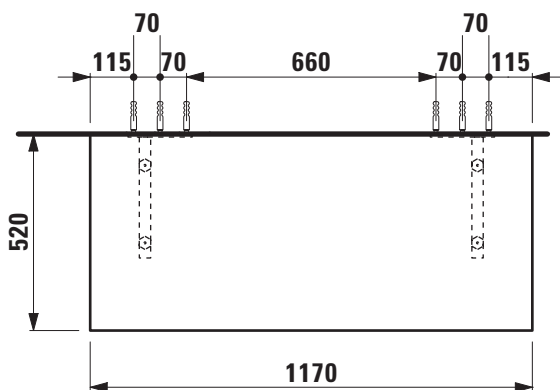
TECHNICAL DATA

Order no.	41100.0 / without cut out
Dimensions (WxHxD)	1170 x 13 (48) x 520 mm
Specification	Body – high-pressure laminate surface (HPL) - water resistant, high impact and scratch resistant without cut out with 2 mounting brackets max. load 150 kg
Weight	14,0 kg
Mounting acc. incl.	Installation set, order no. 49052.2 and mounting brackets, order no. 49052.3, 49052.4

Mounting information The walls installed on must meet the requirements of the furniture in terms of weight and the supplied fastening elements. If this cannot be guaranteed another method of installation needs to be chosen.

Colours	100 – White matt 101 – Light walnut 103 – Dark elm
----------------	--

TECHNICAL DRAWINGS / S 1 : 20



X = The exact height must be set during installation.

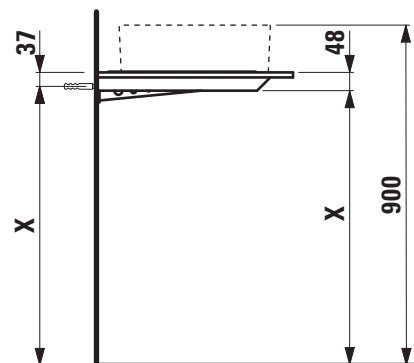
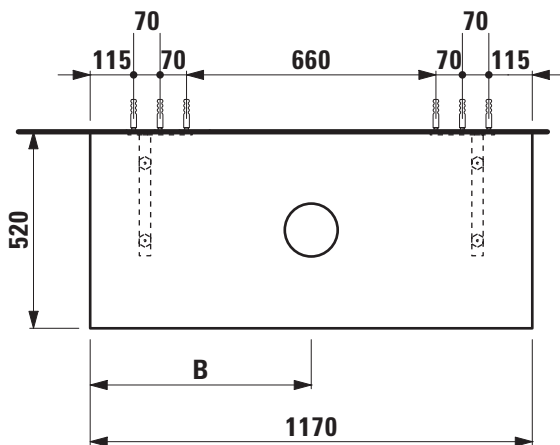


TECHNICAL DATA

Order no.	41100.3 / 1 cut out
Dimensions (WxHxD)	1170 x 13 (48) x 520 mm
Matching for washbasin	see table below
Specification	Body – high-pressure laminate surface (HPL) - water resistant, high impact and scratch resistant with cut out with 2 mounting brackets max. load 150 kg
Weight	14,0 kg

Mounting acc. incl.	Installation set, order no. 49052.2 and mounting brackets, order no. 49052.3, 49052.4
Mounting information	The walls installed on must meet the requirements of the furniture in terms of weight and the supplied fastening elements. If this cannot be guaranteed another method of installation needs to be chosen.
Colours	100 – White matt 101 – Light walnut 103 – Dark elm

TECHNICAL DRAWINGS / S 1 : 20



B / mm	Ceramic
288	Kartell by Laufen s1233.2 (with tap bank left)
360	Palomba s1680.1
435	Kartell by Laufen s1033.8
482	VAL s1228.2 (semi-wet-area left)
493	Val s1628.8
495	Palomba s1680.2
510	Kartell by Laufen s1033.4
535	Palomba s1680.3 Val s1228.1

B / mm	Ceramic	
585	Kartell by Laufen s1233.1, s1533.1, s1633.2, s1633.3 Living SaphirKeramik s1143.3, s1143.4, s1143.5 Living City s1143.0, s1143.1, s1143.2, s1743.2, s1743.4, s1743.7, s1843.8	
	Ino s1230.0, s1230.2, s1630.0, s1630.2, s1730.1 Ino s1730.2 (only wall mounted tap)	
	Val s1328.1, s1628.0, s1628.2, s1628.3, s1628.4, s1628.5 Val s1728.1 (only wall mounted tap)	
	Laufen Pro S s1295.2, s1295.3, s1695.2 Laufen Pro s1296.2, s1296.4	
	660	Kartell by Laufen s1033.5
	688	VAL s1228.2 (semi-wet-area right)
734	Kartell by Laufen s1033.9	
882	Kartell by Laufen s1233.2 (with tap bank right)	

X = The exact height must be set during installation.

Washtop with cut out left

41100.1

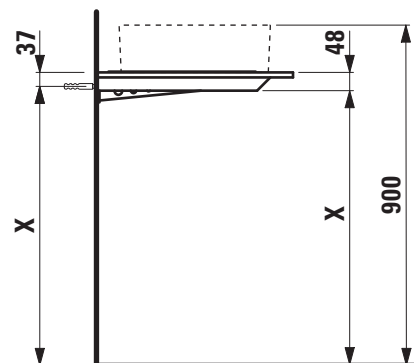
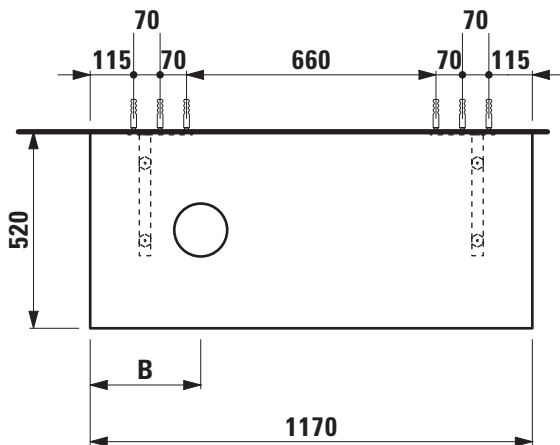


TECHNICAL DATA

Order no.	41100.1 / 1 cut out left
Dimensions (WxHxD)	1170 x 13 (48) x 520 mm
Matching for washbasin	see table below
Specification	Body – high-pressure laminate surface (HPL) - water resistant, high impact and scratch resistant with cut out with 2 mounting brackets max. load 150 kg
Weight	14,0 kg

Mounting acc. incl.	Installation set, order no. 49052.2 and mounting brackets, order no. 49052.3, 49052.4
Mounting information	The walls installed on must meet the requirements of the furniture in terms of weight and the supplied fastening elements. If this cannot be guaranteed another method of installation needs to be chosen.
Colours	100 – White matt 101 – Light walnut 103 – Dark elm

TECHNICAL DRAWINGS / S 1 : 20



B / mm	Ceramic
275	Palomba s1680.1
245	Val s1228.1, s1228.2 (semi-wet-area right)
250	Palomba s1680.3
262	Palomba s1680.2
292	Ino s1230.0, s1230.2, s1630.0, s1630.2 Kartell by Laufen s1233.1 (only wall mounted tap), s1533.1 Laufen Pro s1296.2, s1296.4 Living SaphirKeramik s1143.3, s1143.5 Living City s1143.0, s1143.1 Val s1328.1
300	Kartell by Laufen s1033.8 Living SaphirKeramik s1143.4 Living City s1143.2
308	Val s1628.8

B / mm	Ceramic
325	Kartell by Laufen s1033.4
350	Ino s1730.1 (only wall mounted tap) Kartell by Laufen s1633.2 Laufen Pro S s1695.2 Living City s1743.2, s1743.4 VAL s1628.0, s1628.2
455	VAL s1228.2 (semi-wet-area left)
400	Living City s1743.7 Val s1628.3, s1628.4 Val s1728.1 (only wall mounted tap)
450	Ino s1730.2 (only wall mounted tap)
457	Laufen Pro S s1295.2, s1295.3
475	Kartell by Laufen s1033.5
500	Living City s1843.8
600	Kartell by Laufen s1033.9
672	Kartell by Laufen s1233.2 (with tap bank right)

X = The exact height must be set during installation.

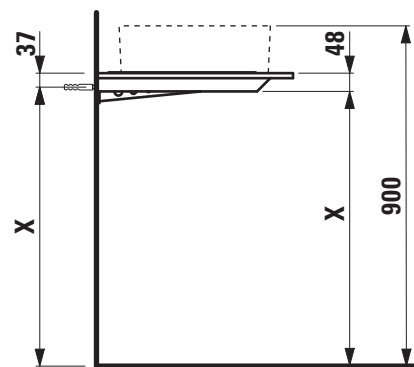
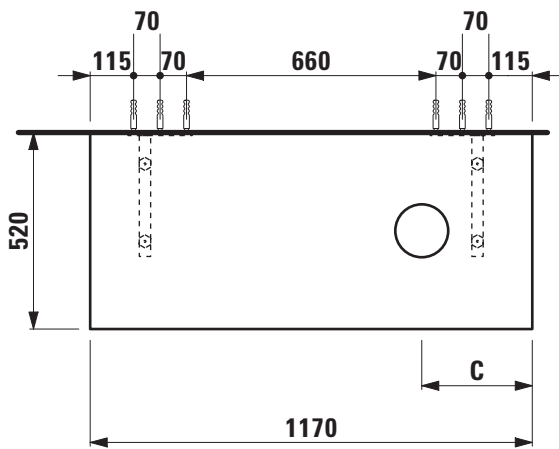


TECHNICAL DATA

Order no.	41100.2 / 1 cut out right
Dimensions (WxHxD)	1170 x 13 (48) x 520 mm
Matching for washbasin	see table below
Specification	Body – high-pressure laminate surface (HPL) - water resistant, high impact and scratch resistant with cut out with 2 mounting brackets max. load 150 kg
Weight	14,0 kg

Mounting acc. incl.	Installation set, order no. 49052.2 and mounting brackets, order no. 49052.3, 49052.4
Mounting information	The walls installed on must meet the requirements of the furniture in terms of weight and the supplied fastening elements. If this cannot be guaranteed another method of installation needs to be chosen.
Colours	100 – White matt 101 – Light walnut 103 – Dark elm

TECHNICAL DRAWINGS / S 1 : 20



C / mm	Ceramic
245	VAL s1228.2 (semi-wet-area right)
292	Kartell by Laufen s1233.1 (only wall mounted tap), s1533.1
	Living SaphirKeramik s1143.3, s1143.5
	Living City s1143.0, s1143.1
	Ino s1230.0, s1230.2, s1630.0, s1630.2
	Laufen Pro s1296.2, s1296.4 Val s1328.1
300	Kartell by Laufen s1033.9
	Living SaphirKeramik s1143.4
	Living City s1143.2
325	Kartell by Laufen s1033.5
350	Kartell by Laufen s1633.2
	Living City s1743.2, s1743.4
	Ino s1730.1 (only wall mounted tap)
	VAL s1628.0, s1628.2 Laufen Pro S s1695.2

C / mm	Ceramic
380	Palomba s1680.2
	Val s1628.8
400	Living City s1743.7
	Val s1628.3, s1628.4 Val s1728.1 (only wall mounted tap)
450	Ino s1730.2 (only wall mounted tap)
	Val s1228.1
455	VAL s1228.2 (semi-wet-area left)
457	Laufen Pro S s1295.2, s1295.3
469	Palomba s1680.3
475	Kartell by Laufen s1033.4
500	Living City s1843.8
600	Kartell by Laufen s1033.8
672	Kartell by Laufen s1233.2 (with tap bank left)
675	Palomba s1680.1

X = The exact height must be set during installation.

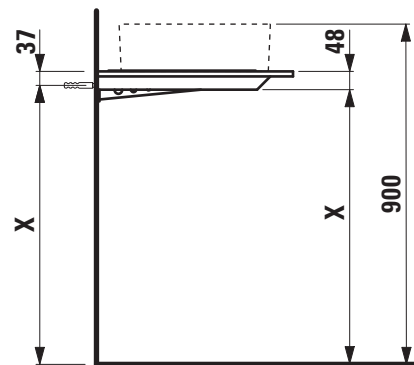
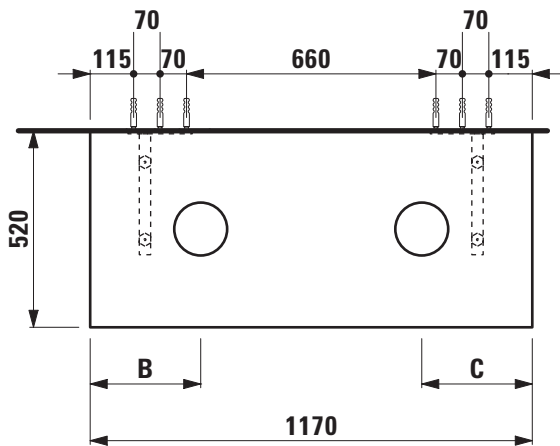


TECHNICAL DATA

Order no.	41100.4 / 2 cut outs
Dimensions (WxHxD)	1170 x 13 (48) x 520 mm
Matching for washbasin	see table below
Specification	Body – high-pressure laminate surface (HPL) - water resistant, high impact and scratch resistant with cut outs with 2 mounting brackets max. load 150 kg
Weight	14,0 kg

Mounting acc. incl.	Installation set, order no. 49052.2 and mounting brackets, order no. 49052.3, 49052.4
Mounting information	The walls installed on must meet the requirements of the furniture in terms of weight and the supplied fastening elements. If this cannot be guaranteed another method of installation needs to be chosen.
Colours	100 – White matt 101 – Light walnut 103 – Dark elm

TECHNICAL DRAWINGS / S 1 : 20



B / mm	C / mm	Ceramic
292	292	Kartell by Laufen 81533.1
		Living SaphirKeramik 81143.3, 81143.5
		Living City 81143.0, 81143.1
		Ino 81230.0, 81230.2, 81630.0, 81630.2
		Laufen Pro 81296.2, 81296.4
		Val 81328.1
350	350	Ino 81730.1 (only wall mounted tap)

X = The exact height must be set during installation.



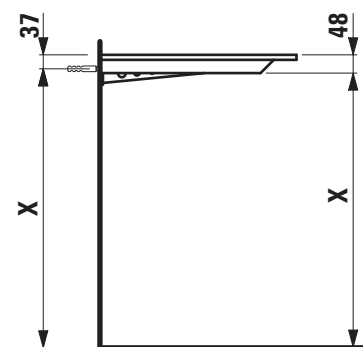
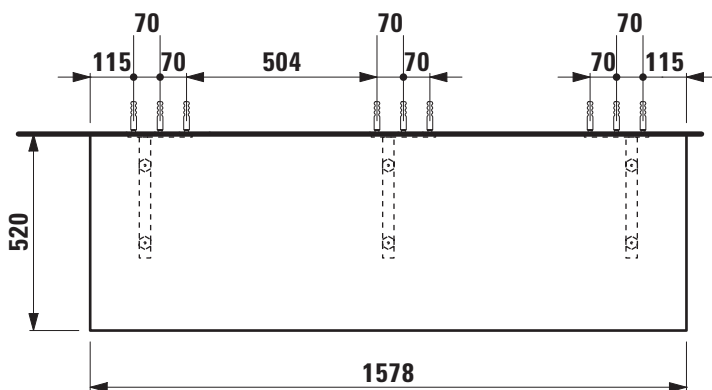
TECHNICAL DATA

Order no.	41105.0 / without cut out
Dimensions (WxHxD)	1578 x 13 (48) x 520 mm
Specification	Body – high-pressure laminate surface (HPL) - water resistant, high impact and scratch resistant without cut out with 3 mounting brackets max. load 150 kg
Weight	21,0 kg
Mounting acc. incl.	Installation set, order no. 49052.2 and mounting brackets, order no. 49052.3, 49052.4

Mounting information The walls installed on must meet the requirements of the furniture in terms of weight and the supplied fastening elements. If this cannot be guaranteed another method of installation needs to be chosen.

Colours	100 – White matt 101 – Light walnut 103 – Dark elm
----------------	--

TECHNICAL DRAWINGS / S 1 : 20



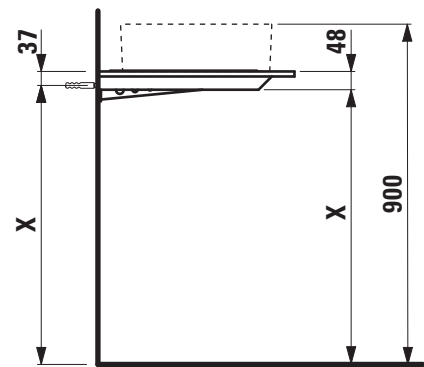
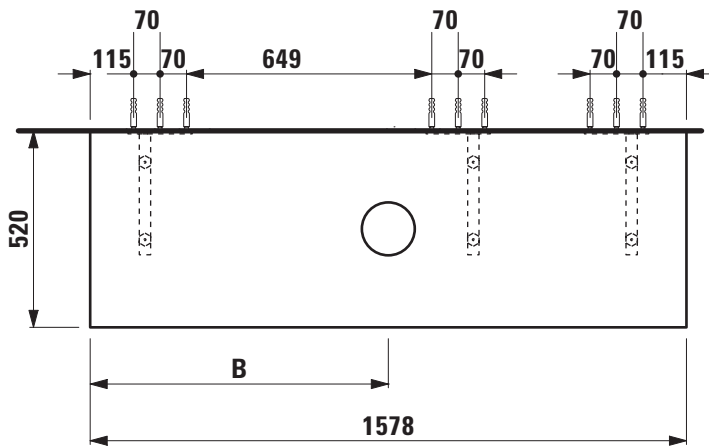
X = The exact height must be set during installation.



TECHNICAL DATA

Order no.	41105.3 / 1 cut out	Mounting acc. incl.	Installation set, order no. 49052.2 and mounting brackets, order no. 49052.3, 49052.4
Dimensions (WxHxD)	1578 x 13 (48) x 520 mm	Mounting information	The walls installed on must meet the requirements of the furniture in terms of weight and the supplied fastening elements. If this cannot be guaranteed another method of installation needs to be chosen.
Matching for washbasin	see table below	Colours	100 – White matt 101 – Light walnut 103 – Dark elm
Specification	Body – high-pressure laminate surface (HPL) - water resistant, high impact and scratch resistant with cut out with 3 mounting brackets max. load 150 kg		
Weight	21,0 kg		

TECHNICAL DRAWINGS / S 1 : 20



B / mm	Ceramic
685	VAL 81228.2 (semi-wet-area right)
697	Val 81628.8
715	Kartell by Laufen 81033.4
789	Kartell by Laufen 81533.1, 81633.2, 81633.3
	Living SaphirKeramik 81143.3, 81143.4, 81143.5
	Living City 81143.0, 81143.1, 81143.2, 81743.2, 81743.4, 81743.7, 81843.8
	Ino 81230.0, 81230.2, 81630.0, 81630.2

B / mm	Ceramic
789	Val 81328.1, 81628.0, 81628.2, 81628.3, 81628.4
	Laufen Pro S 81695.2 Laufen Pro 81296.2, 81296.4
865	Kartell by Laufen 81033.5
893	VAL 81228.2 (semi-wet-area left)

More washbasins for washtop with cut out # 411105.3 see on the next page.

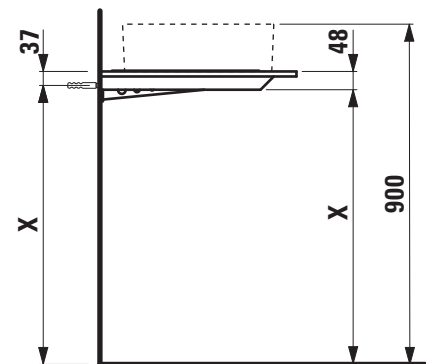
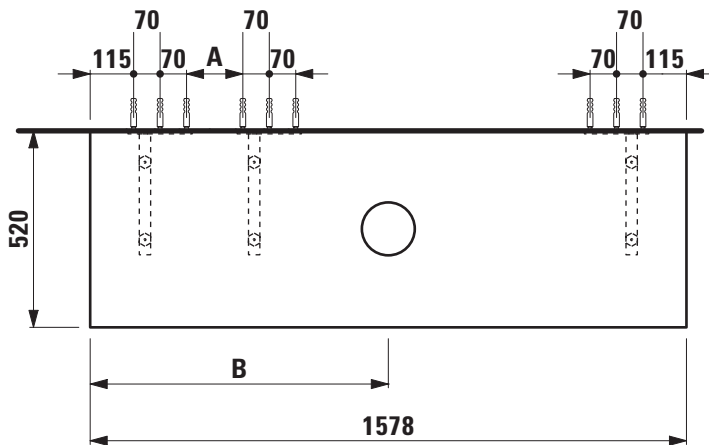
X = The exact hight must be set during installation.



TECHNICAL DATA

Order no.	41105.3 / 1 cut out	Mounting acc. incl.	Installation set, order no. 49052.2 and mounting brackets, order no. 49052.3, 49052.4
Dimensions (WxHxD)	1578 x 13 (48) x 520 mm	Mounting information	The walls installed on must meet the requirements of the furniture in terms of weight and the supplied fastening elements. If this cannot be guaranteed another method of installation needs to be chosen.
Matching for washbasin	see table below	Colours	100 – White matt 101 – Light walnut 103 – Dark elm
Specification	Body – high-pressure laminate surface (HPL) - water resistant, high impact and scratch resistant with cut out with 3 mounting brackets max. load 150 kg		
Weight	21,0 kg		

TECHNICAL DRAWINGS / S 1 : 20



A / mm	B / mm	Ceramic
504	490	Kartell by Laufen s1333.2
504	565	Palomba s1680.1
504	490	Kartell by Laufen s1233.2 (with tap bank left)
504	640	Kartell by Laufen s1033.8
504	700	Palomba s1680.2
149	739	Val s1228.1
149	740	Palomba s1680.3

A / mm	B / mm	Ceramic
		Kartell by Laufen s1233.1
		Ino s1730.1
149	789	Ino s1730.2 (only wall mounted tap)
		Val s1628.5
		Val s1728.1 (only wall mounted tap)
		Laufen Pro S s1295.2, s1295.3
504	938	Kartell by Laufen s1033.9
504	1085	Kartell by Laufen s1233.2 (with tap bank right)

More washbasins for washtop with cut out # 411105.3 see about the previous page.

X = The exact height must be set during installation.

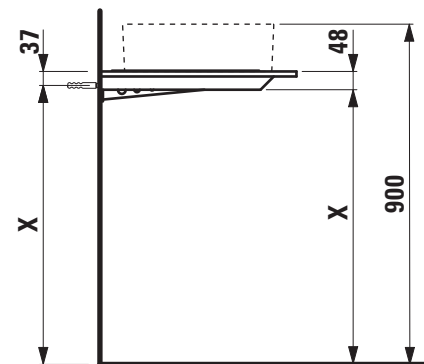
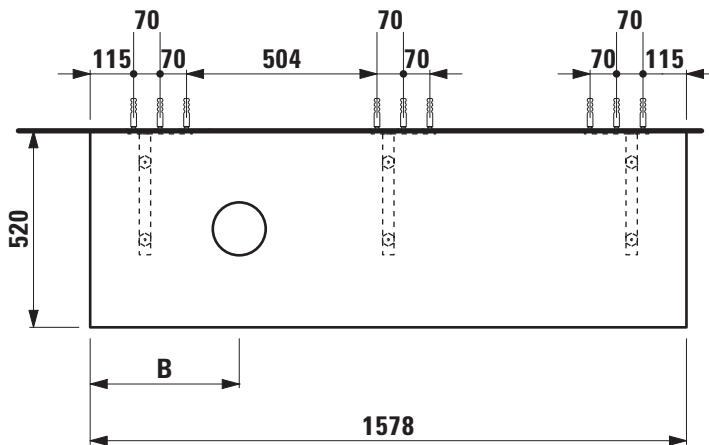


TECHNICAL DATA

Order no.	41105.1 / 1 cut out left
Dimensions (WxHxD)	1578 x 13 (48) x 520 mm
Matching for washbasin	see table below
Specification	Body – high-pressure laminate surface (HPL) - water resistant, high impact and scratch resistant with cut out with 3 mounting brackets max. load 150 kg
Weight	21,0 kg

Mounting acc. incl.	Installation set, order no. 49052.2 and mounting brackets, order no. 49052.3, 49052.4
Mounting information	The walls installed on must meet the requirements of the furniture in terms of weight and the supplied fastening elements. If this cannot be guaranteed another method of installation needs to be chosen.
Colours	100 – White matt 101 – Light walnut 103 – Dark elm

TECHNICAL DRAWINGS / S 1 : 20



B / mm	Ceramic
275	Palomba s1680.1
291	VAL s1228.2 (semi-wet-area left)
300	Kartell by Laufen s1033.8, s1333.2
306	Palomba s1680.2
308	Val s1628.8
320	Kartell by Laufen s1033.4
345	Palomba s1680.3 Val s1228.1
395	Kartell by Laufen s1233.1, s1533.1, s1633.2 Living SaphirKeramik s1143.3, s1143.4, s1143.5 Living City s1143.0, s1143.1, s1143.2, s1743.2, s1743.4, s1743.7 Ino s1230.0, s1230.2, s1630.0, s1630.2, s1730.1

B / mm	Ceramic
395	Val s1328.1, s1628.0, s1628.2, s1628.3, s1628.4 Val s1728.1 (only wall mounted tap) Laufen Pro S s1695.2 Laufen Pro s1296.2, s1296.4
450	Ino s1730.2 (only wall mounted tap)
467	Laufen Pro S s1295.2, s1295.3
470	Kartell by Laufen s1033.5
498	VAL s1228.2 (semi-wet-area right)
500	Living City s1843.8
600	Kartell by Laufen s1033.9
672	Kartell by Laufen s1233.2 (with tap bank right)

X = The exact height must be set during installation.

Washtop with cut out right

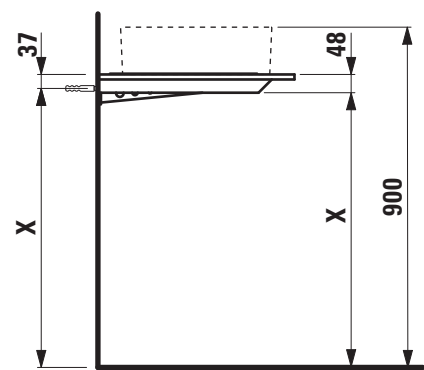
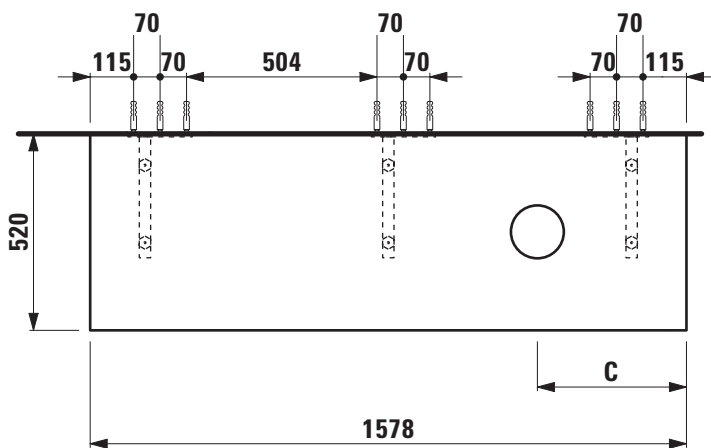
41105.2



TECHNICAL DATA

Order no.	41105.2 / 1 cut out right	Mounting acc. incl.	Installation set, order no. 49052.2 and mounting brackets, order no. 49052.3, 49052.4
Dimensions (WxHxD)	1578 x 13 (48) x 520 mm	Mounting information	The walls installed on must meet the requirements of the furniture in terms of weight and the supplied fastening elements. If this cannot be guaranteed another method of installation needs to be chosen.
Matching for washbasin	see table below	Colours	100 – White matt 101 – Light walnut 103 – Dark elm
Specification	Body – high-pressure laminate surface (HPL) - water resistant, high impact and scratch resistant with cut out with 3 mounting brackets max. load 150 kg		
Weight	21,0 kg		

TECHNICAL DRAWINGS / S 1 : 20



C / mm	Ceramic
291	VAL 81228.2 (semi-wet-area right)
300	Kartell by Laufen 81033.9
320	Kartell by Laufen 81033.5
395	Kartell by Laufen 81533.1, 81633.2 Living SaphirKeramik 81143.3, 81143.4, 81143.5 Living City 81143.0, 81143.1, 81143.2, 81743.2, 81743.4, 81743.7 Ino 81230.0, 81230.2, 81630.0, 81630.2, 81730.1 Val 81328.1, 81628.0, 81628.2, 81628.3, 81628.4 Val 81728.1 (only wall mounted tap) Laufen Pro S 81695.2 Laufen Pro 81296.2, 81296.4
445	Val 81228.1

C / mm	Ceramic
450	Kartell by Laufen 81233.1 Ino 81730.2 (only wall mounted tap)
467	Laufen Pro S 81295.2, 81295.3
470	Kartell by Laufen 81033.4 Palomba 81680.3
485	Palomba 81680.2
486	Val 81628.8
498	VAL 81228.2 (semi-wet-area left)
500	Living City 81843.8
600	Kartell by Laufen 81033.8
672	Kartell by Laufen 81233.2 (with tap bank left)
675	Palomba 81680.1
900	Kartell by Laufen 81333.2

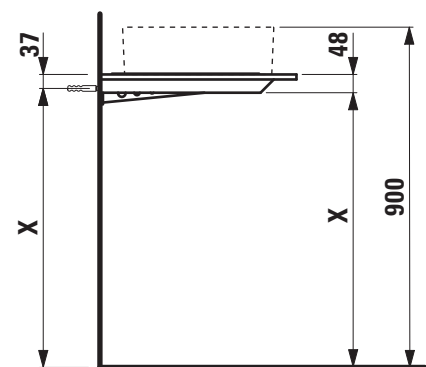
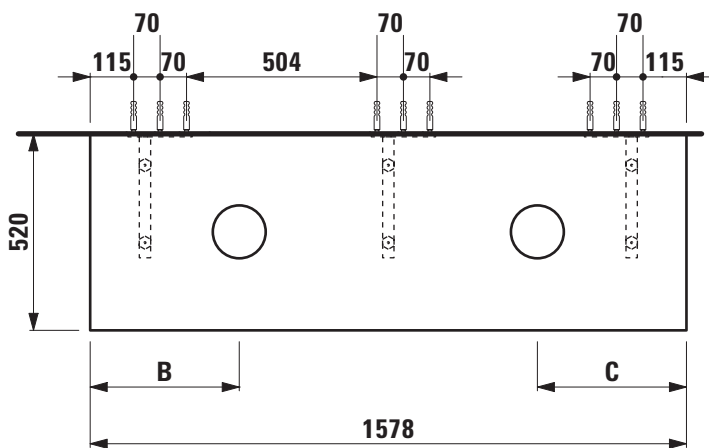
X = The exact height must be set during installation.



TECHNICAL DATA

Order no.	41105.4 / 2 cut outs	Mounting acc. incl.	Installation set, order no. 49052.2 and mounting brackets, order no. 49052.3, 49052.4
Dimensions (WxHxD)	1578 x 13 (48) x 520 mm	Mounting information	The walls installed on must meet the requirements of the furniture in terms of weight and the supplied fastening elements. If this cannot be guaranteed another method of installation needs to be chosen.
Matching for washbasin	see table below	Colours	100 – White matt 101 – Light walnut 103 – Dark elm
Specification	Body – high-pressure laminate surface (HPL) - water resistant, high impact and scratch resistant with cut outs with 3 mounting brackets max. load 150 kg		
Weight	21,0 kg		

TECHNICAL DRAWINGS / S 1 : 20





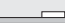

B / mm	C / mm	Ceramic
291	498	VAL s1228.2 (semi-wet-area left)
306	485	Palomba s1680.2
308	486	Val s1628.8
320	470	Kartell by Laufen s1033.4
345	445	Val s1228.1
345	470	Palomba s1680.3
395	395	Kartell by Laufen s1533.1, s1633.2 Living SaphirKeramik s1143.3, s1143.4, s1143.5 Living City s1143.0, s1143.1, s1143.2, s1743.2, s1743.4





B / mm	C / mm	Ceramic
395	395	Ino s1230.0, s1230.2, s1630.0, s1630.2, s1730.1 Val s1328.1, s1628.0, s1628.2, s1628.3, s1628.4 Val s1728.1 (only wall mounted tap) Laufen Pro S s1695.2 Laufen Pro s1296.2, s1296.4
450	450	Kartell by Laufen s1233.1 Ino s1730.2 (only wall mounted tap)
470	320	Kartell by Laufen s1033.5
498	291	VAL s1228.2 (semi-wet-area right)

X = The exact height must be set during installation.

Matrix for washtops 870 mm

POSSIBLE COMBINATIONS WITH WASHBASINS INO, KARTELL BY LAUFEN, LAUFEN PRO, LAUFEN PRO S, LIVING CITY, LIVING SAPHIRKERAMIK, PALOMBA COLLECTION, VAL





Washtop 870 mm				
Ceramic				
Ino				
ø1230.0 350x360 mm	✓			
ø1230.2 500x360 mm	✓			
ø1630.0 450x410 mm	✓			
ø1630.2 560x450 mm	✓			
ø1730.1 350x365 mm	✓			
ø1730.2 500x365 mm	✓			
Kartell by Laufen				
ø1533.1 460x460 mm	✓			
ø1033.4 600x460 mm	✓			
ø1033.5 600x460 mm	✓			
ø1033.8 900x460 mm				
ø1033.9 900x460 mm				
ø1233.1 420x420 mm	✓			
ø1233.2 750x350 mm				
ø1333.2 1200x460 mm				
ø1633.2 500x460 mm	✓			
ø1633.3 600x460 mm				
Laufen Pro				
ø1296.2 420x420 mm	✓			
ø1296.4 520x390 mm	✓			
Laufen Pro S				
ø1295.2 550x380 mm				
ø1295.3 600x380 mm				
ø1695.2 600x400 mm	✓			

Washtop 870 mm				
Ceramic				
Living City				
ø1143.0 450x380 mm	✓			
ø1143.1 500x425 mm	✓			
ø1143.2 600x425 mm	✓			
ø1743.2 500x460 mm	✓			
ø1743.4 600x460 mm	✓			
ø1743.7 800x470 mm	✓			
ø1843.8 1000x470 mm				
Living SaphirKeramik				
ø1143.3 360x360 mm	✓			
ø1143.4 600x340 mm	✓			
ø1143.5 380x380 mm	✓			
Palomba Collection				
ø1680.1 900x420 mm	✓			
ø1680.2 520x380 mm	✓			
ø1680.3 600x400 mm	✓			
Val				
ø1228.1 500x400 mm	✓			
ø1228.2 550x360 mm	✓			
ø1328.1 400x425 mm	✓			
ø1628.0 450x420 mm	✓			
ø1628.2 550x420 mm	✓			
ø1628.3 600x420 mm	✓			
ø1628.4 650x420 mm	✓			
ø1628.5 750x420 mm				
ø1628.8 530x400 mm	✓			
ø1728.1 550x360 mm	✓			

Matrix for washtops 1170 mm

POSSIBLE COMBINATIONS WITH WASHBASINS INO, KARTELL BY LAUFEN, LAUFEN PRO, LAUFEN PRO S, LIVING CITY, LIVING SAPHIRKERAMIK, PALOMBA COLLECTION, VAL





Washtop 1170 mm				
Ceramic				
Ino				
ø1230.0 350x360 mm	✓	✓	✓	✓
ø1230.2 500x360 mm	✓	✓	✓	✓
ø1630.0 450x410 mm	✓	✓	✓	✓
ø1630.2 560x450 mm	✓	✓	✓	✓
ø1730.1 350x365 mm	✓	✓	✓	✓
ø1730.2 500x365 mm	✓	✓	✓	
Kartell by Laufen				
ø1533.1 460x460 mm	✓	✓	✓	✓
ø1033.4 600x460 mm	✓	✓	✓	
ø1033.5 600x460 mm	✓	✓	✓	
ø1033.8 900x460 mm	✓	✓	✓	
ø1033.9 900x460 mm	✓	✓	✓	
ø1233.1 420x420 mm	✓	✓	✓	
ø1233.2 750x350 mm	✓	✓	✓	
ø1333.2 1200x460 mm				
ø1633.2 500x460 mm	✓	✓	✓	
ø1633.3 600x460 mm	✓			
Laufen Pro				
ø1296.2 420x420 mm	✓	✓	✓	✓
ø1296.4 520x390 mm	✓	✓	✓	✓
Laufen Pro S				
ø1295.2 550x380 mm	✓	✓	✓	
ø1295.3 600x380 mm	✓	✓	✓	
ø1695.2 600x400 mm	✓	✓	✓	

Washtop 1170 mm				
Ceramic				
Living City				
ø1143.0 450x380 mm	✓	✓	✓	✓
ø1143.1 500x425 mm	✓	✓	✓	✓
ø1143.2 600x425 mm	✓	✓	✓	
ø1743.2 500x460 mm	✓	✓	✓	
ø1743.4 600x460 mm	✓	✓	✓	
ø1743.7 800x470 mm	✓	✓	✓	
ø1843.8 1000x470 mm	✓	✓	✓	
Living SaphirKeramik				
ø1143.3 360x360 mm	✓	✓	✓	✓
ø1143.4 600x340 mm	✓	✓	✓	
ø1143.5 380x380 mm	✓	✓	✓	✓
Palomba Collection				
ø1680.1 900x420 mm	✓	✓	✓	
ø1680.2 520x380 mm	✓	✓	✓	
ø1680.3 600x400 mm	✓	✓	✓	
Val				
ø1228.1 500x400 mm	✓	✓	✓	
ø1228.2 550x360 mm	✓	✓	✓	
ø1328.1 400x425 mm	✓	✓	✓	✓
ø1628.0 450x420 mm	✓	✓	✓	
ø1628.2 550x420 mm	✓	✓	✓	
ø1628.3 600x420 mm	✓	✓	✓	
ø1628.4 650x420 mm	✓	✓	✓	
ø1628.5 750x420 mm	✓			
ø1628.8 530x400 mm	✓	✓	✓	
ø1728.1 550x360 mm	✓	✓	✓	

Matrix for washtops 1580 mm

POSSIBLE COMBINATIONS WITH WASHBASINS INO, KARTELL BY LAUFEN, LAUFEN PRO, LAUFEN PRO S, LIVING CITY, LIVING SAPHIRKERAMIK, PALOMBA COLLECTION, VAL

Washtop 1580 mm				
Ceramic				
Ino				
ø1230.0 350x360 mm	✓	✓	✓	✓
ø1230.2 500x360 mm	✓	✓	✓	✓
ø1630.0 450x410 mm	✓	✓	✓	✓
ø1630.2 560x450 mm	✓	✓	✓	✓
ø1730.1 350x365 mm	✓	✓	✓	✓
ø1730.2 500x365 mm	✓	✓	✓	✓
Kartell by Laufen				
ø1533.1 460x460 mm	✓	✓	✓	✓
ø1033.4 600x460 mm	✓	✓	✓	✓
ø1033.5 600x460 mm	✓	✓	✓	✓
ø1033.8 900x460 mm	✓	✓	✓	
ø1033.9 900x460 mm	✓	✓	✓	
ø1233.1 420x420 mm	✓	✓	✓	✓
ø1233.2 750x350 mm	✓	✓	✓	
ø1333.2 1200x460 mm	✓	✓	✓	
ø1633.2 500x460 mm				
ø1633.3 600x460 mm				
Laufen Pro				
ø1296.2 420x420 mm	✓	✓	✓	✓
ø1296.4 520x390 mm	✓	✓	✓	✓
Laufen Pro S				
ø1295.2 550x380 mm	✓	✓	✓	
ø1295.3 600x380 mm	✓	✓	✓	
ø1695.2 600x400 mm	✓	✓	✓	✓

Washtop 1580 mm				
Ceramic				
Living City				
ø1143.0 450x380 mm	✓	✓	✓	✓
ø1143.1 500x425 mm	✓	✓	✓	✓
ø1143.2 600x425 mm	✓	✓	✓	✓
ø1743.2 500x460 mm	✓	✓	✓	✓
ø1743.4 600x460 mm	✓	✓	✓	✓
ø1743.7 800x470 mm	✓	✓	✓	
ø1843.8 1000x470 mm	✓	✓	✓	
Living SaphirKeramik				
ø1143.3 360x360 mm	✓	✓	✓	✓
ø1143.4 600x340 mm	✓	✓	✓	✓
ø1143.5 380x380 mm	✓	✓	✓	✓
Palomba Collection				
ø1680.1 900x420 mm	✓	✓	✓	
ø1680.2 520x380 mm	✓	✓	✓	✓
ø1680.3 600x400 mm	✓	✓	✓	✓
Val				
ø1228.1 500x400 mm	✓	✓	✓	✓
ø1228.2 550x360 mm	✓	✓	✓	✓
ø1328.1 400x425 mm	✓	✓	✓	✓
ø1628.0 450x420 mm	✓	✓	✓	✓
ø1628.2 550x420 mm	✓	✓	✓	✓
ø1628.3 600x420 mm	✓	✓	✓	✓
ø1628.4 650x420 mm	✓	✓	✓	✓
ø1628.5 750x420 mm	✓			
ø1628.8 530x400 mm	✓	✓	✓	✓
ø1728.1 550x360 mm	✓	✓	✓	✓

**Basin single-lever mixer
with pop-up waste
3.1138.1.004.111.1
without pop-up waste
3.1138.1.004.110.1**

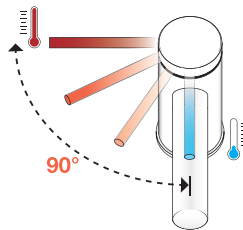


TECHNICAL DATA / WITH POP-UP WASTE

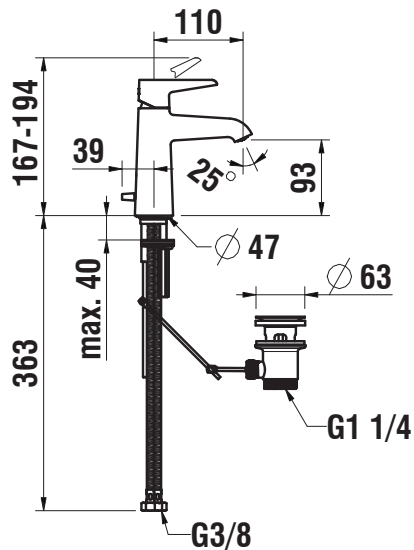
Order no.	3.1138.1.004.111.1
Connection	3/8" flexible connection hoses
Spout length	110 mm
Flow rate	5.7 l/min (3 bar)
Acoustic class	I/-
Specification	basin single-lever mixer Eco+ function, cold water position in the middle cartridge K25 fixed spout
Accessories incl.	pop-up waste 1¼"
Surface finish	chrome

TECHNICAL DATA / WITHOUT POP-UP WASTE

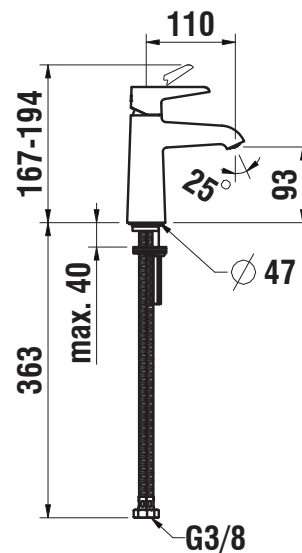
Order no.	3.1138.1.004.110.1
Connection	3/8" flexible connection hoses
Spout length	110 mm
Flow rate	5.7 l/min (3 bar)
Acoustic class	I/-
Specification	basin single-lever mixer Eco+ function, cold water position in the middle cartridge K25 fixed spout
Surface finish	chrome



TECHNICAL DRAWINGS



TECHNICAL DRAWINGS



**Basin single-lever mixer
with pop-up waste
3.1138.1.004.121.1
without pop-up waste
3.1138.1.004.120.1**

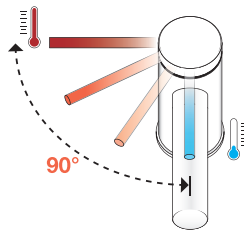


TECHNICAL DATA / WITH POP-UP WASTE

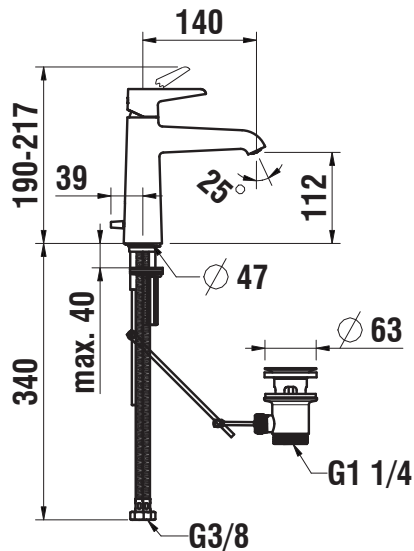
Order no.	3.1138.1.004.121.1
Connection	3/8" flexible connection hoses
Spout length	140 mm
Flow rate	5.7 l/min (3 bar)
Acoustic class	I/-
Specification	basin single-lever mixer Eco+ function, cold water position in the middle cartridge K25 fixed spout
Accessories incl.	pop-up waste 1¼"
Surface finish	chrome

TECHNICAL DATA / WITHOUT POP-UP WASTE

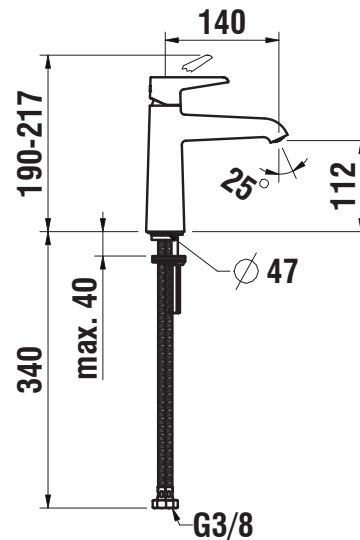
Order no.	3.1138.1.004.120.1
Connection	3/8" flexible connection hoses
Spout length	140 mm
Flow rate	5.7 l/min (3 bar)
Acoustic class	I/-
Specification	basin single-lever mixer Eco+ function, cold water position in the middle cartridge K25 fixed spout
Surface finish	chrome



TECHNICAL DRAWINGS



TECHNICAL DRAWINGS

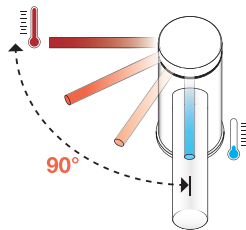


**Standing column single-lever mixer
without pop-up waste
3.1138.8.004.130.1**

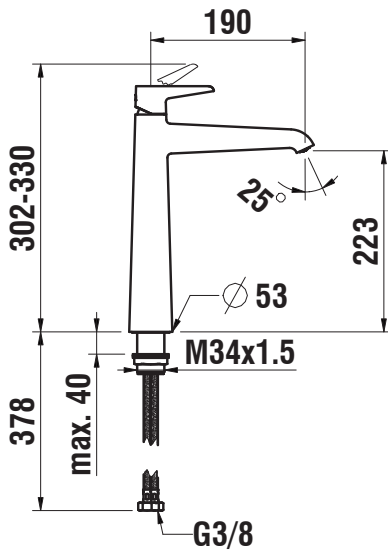


TECHNICAL DATA

Order no.	3.1138.8.004.130.1	Specification	standing column single-lever mixer
Connection	3/8" flexible connection hoses		Eco+ function, cold water position in the middle
Spout length	190 mm		cartridge K25
Flow rate	5.7 l/min (3 bar)		fixed spout
Acoustic class	I/-	Surface finish	chrome



TECHNICAL DRAWINGS



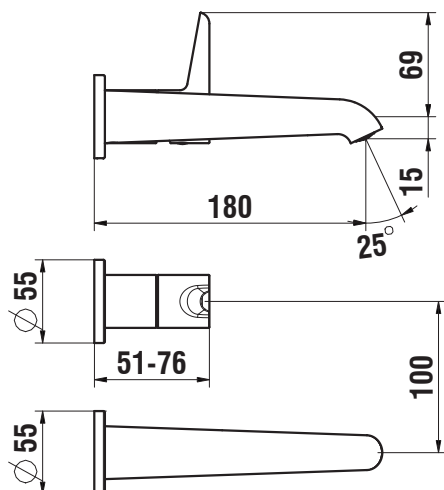
Concealed wall mixer to Simibox 2-Point for cartridge 35 mm 3.1138.6.004.120.1



TECHNICAL DATA

Order no.	3.1138.6.004.120.1	Mounting acc. excl.	concealed body Simibox 2-Point, cartridge 25 mm F25 HT
Spout length	180 mm		order no. 3.7698.1.000.251.1
Flow rate	5.7 l/min (3 bar)		mounting aid, order no. 3.7798.0.003.001.1
Acoustic class	I/-		Extension set L =25 mm, order no. 3.7998.4.000.225.1
Specification	set for concealed wall mixer to Simibox 2-Point for cartridge 25 mm control handle can be positioned right only fixed spout	Surface finish	chrome

TECHNICAL DRAWINGS

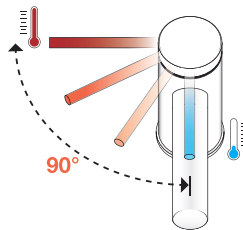


**Bidet single-lever mixer
with pop-up waste
3.4138.1.004.111.1**

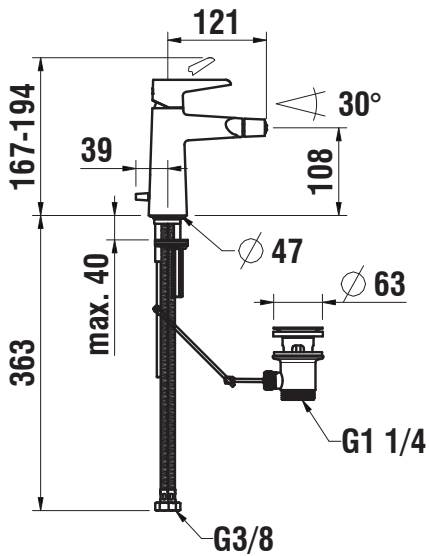


TECHNICAL DATA

Order no.	3.4138.1.004.111.1	Specification	bidet single-lever mixer
Connection	3/8" flexible connection hoses		Eco+ function, cold water position in the middle
Spout length	121 mm		cartridge K25
Flow rate	5.7 l/min (3 bar)		fixed spout
Acoustic class	I/-	Accessories incl.	pop-up waste 1 1/4"
		Surface finish	chrome



TECHNICAL DRAWINGS



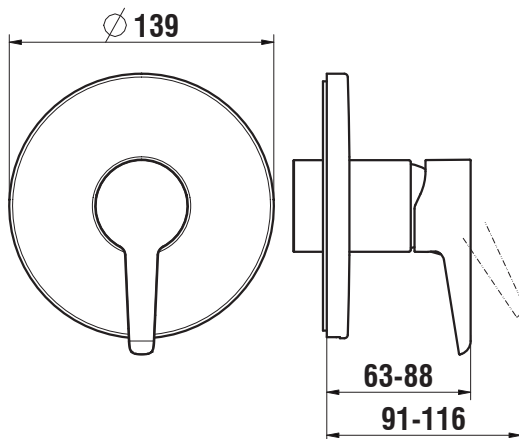
Set for concealed shower mixer Simibox 3.3138.6.004.000.1



TECHNICAL DATA

Order no.	3.3138.6.004.000.1	Mounting acc. excl.	either Simibox Standard, concealed system for bath and shower mixer, order no. 3.7898.0.000.000.1 or Simibox Light, concealed system for bath and shower mixer:
Flow rate	Simibox Light: 19.2 l/min (3 bar) Simibox Standard: 18.1 l/min (3 bar)		with stop valve: order no. 3.7898.0.000.100.1 without stop valve: order no. 3.7898.0.000.101.1
Acoustic class	Simibox Light: IC Simibox Standard: IA		Simibox, mounting aid for concealed bath and shower mixer, order no. 3.7998.0.003.000.1 Simibox, flange set, order no. 3.7998.0.000.500.1 Simibox, extension set L = 25 mm – order no. 3.7998.0.000.050.1 L = 50 mm – order no. 3.7998.0.000.060.1
Specification	set for concealed bath/shower mixer Simibox 40 mm Ecototal cartridge with flow and temperature brake automatic diverter	Surface finish	chrome

TECHNICAL DRAWINGS



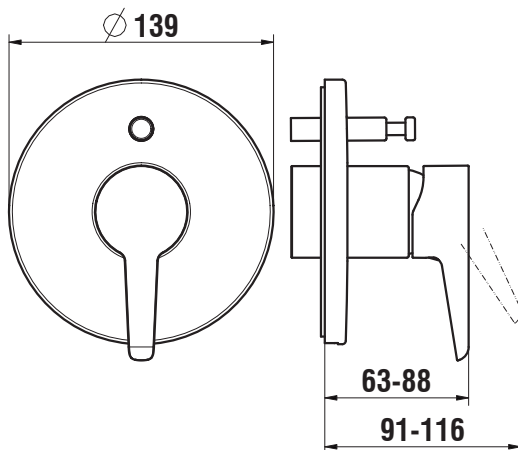
Set for concealed bath/shower mixer Simibox 3.2138.6.004.000.1



TECHNICAL DATA

Order no.	3.2138.6.004.000.1	Mounting acc. excl.	either Simibox Standard, concealed system for bath and shower mixer, order no. 3.7898.0.000.000.1 or Simibox Light, concealed system for bath and shower mixer:
Flow rate	Simibox Light: spout: 21.9 l/min (3 bar) shower: 19.2 l/min (3 bar) Simibox Standard: spout: 20.6 l/min (3 bar) shower: 18.1 l/min (3 bar)		with stop valve: order no. 3.7898.0.000.100.1 without stop valve: order no. 3.7898.0.000.101.1 Simibox, mounting aid for concealed bath and shower mixer, order no. 3.7998.0.003.000.1 Simibox, flange set, order no. 3.7998.0.000.500.1 Simibox, extension set L = 25 mm – order no. 3.7998.0.000.050.1 L = 50 mm – order no. 3.7998.0.000.060.1
Acoustic class	Simibox Light: spout: ID shower: IC Simibox Standard: spout: IC shower: IB	Surface finish	chrome
Specification	set for concealed bath/shower mixer Simibox 40 mm Ecototal cartridge with flow and temperature brake automatic diverter		

TECHNICAL DRAWINGS



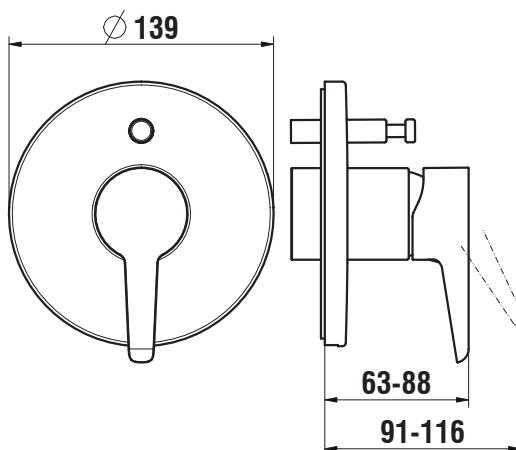
Set for concealed bath/shower mixer Simibox with integrated vacuum breaker 3.2138.6.004.010.1



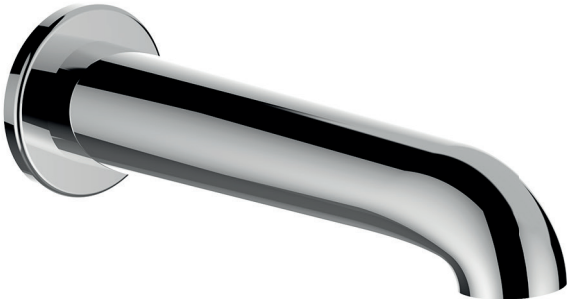
TECHNICAL DATA

Order no.	3.2138.6.004.010.1	Mounting acc. excl.	either Simibox Standard, concealed system for bath and shower mixer, order no. 3.7898.0.000.000.1 or Simibox Light, concealed system for bath and shower mixer:
Flow rate	Simibox Light: spout: 21.9 l/min (3 bar) shower: 19.2 l/min (3 bar) Simibox Standard: spout: 20.6 l/min (3 bar) shower: 18.1 l/min (3 bar)		with stop valve: order no. 3.7898.0.000.100.1 without stop valve: order no. 3.7898.0.000.101.1 Simibox, mounting aid for concealed bath and shower mixer, order no. 3.7998.0.003.000.1 Simibox, flange set, order no. 3.7998.0.000.500.1 Simibox, extension set L = 25 mm – order no. 3.7998.0.000.050.1 L = 50 mm – order no. 3.7998.0.000.060.1
Acoustic class	Simibox Light: spout: ID shower: IC Simibox Standard: spout: IC shower: IB	Surface finish	chrome
Specification	set for concealed bath/shower mixer Simibox with integrated vacuum breaker 40 mm Ecototal cartridge with flow and temperature brake automatic diverter		

TECHNICAL DRAWINGS



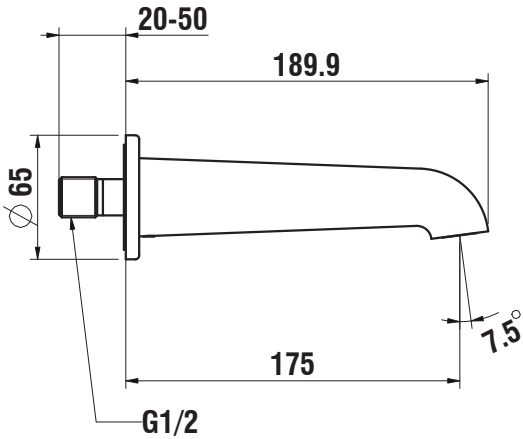
Wall spout
3.7138.0.004.060.1



TECHNICAL DATA

Order no.	3.7138.0.004.060.1	Specification	wall spout
Connection	1/2"		fixed spout
Spout length	175 mm	Surface finish	chrome

TECHNICAL DRAWINGS



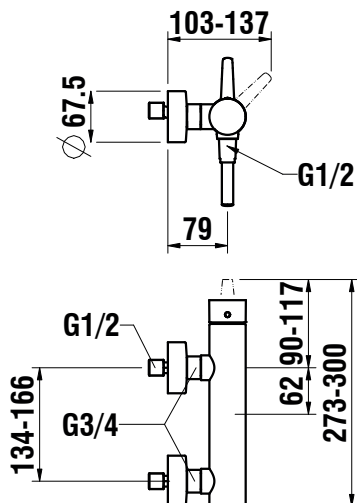
**Bath/shower single-lever mixer
with accessories
3.3138.7.004.131.1
without accessories
3.3138.7.004.400.1**



TECHNICAL DATA

Order no.	3.3138.7.004.131.1 / with accessories 3.3138.7.004.400.1 / without accessories	Specification	shower single-lever mixer 40 mm Ecototal cartridge with flow and temperature brake the mixer does not become hot intrinsically safe against backflow
Gauge	134 - 166 mm	Accessories incl.	order no. 3.3138.7.004.131.1 – complete with synthetic flexible hose 1600 mm and handshower MyTwin100
Connection	1/2"	Mounting acc. incl.	wall connections
Hose connection	1/2"	Surface finish	chrome
Flow rate	9.9 l/min (3 bar)		
Acoustic class	IA		

TECHNICAL DRAWINGS



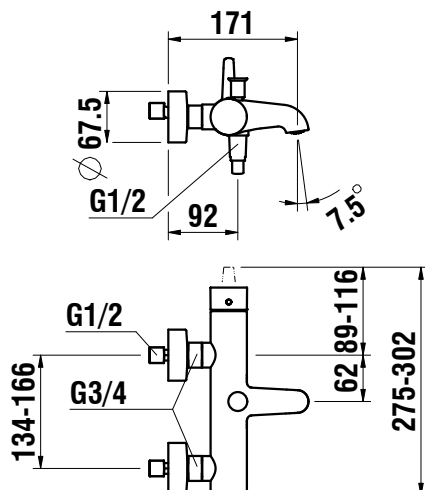
**Bath/shower single-lever mixer
with accessories
3.2138.7.004.131.1
without accessories
3.2138.7.004.400.1**



TECHNICAL DATA

Order no.	3.2138.7.004.131.1 / with accessories 3.2138.7.004.400.1 / without accessories	Specification	bath/shower single-lever mixer 40 mm Ecototal cartridge with flow and temperature brake the mixer does not become hot fixed spout automatic diverter intrinsically safe against backflow
Gauge	134 - 166 mm	Accessories incl.	order no. 3.2138.7.004.131.1 – complete with synthetic flexible hose 1600 mm and handshower MyTwin100
Connection	1/2"	Mounting acc. incl.	wall connections
Hose connection	1/2"	Surface finish	chrome
Spout length	171 mm		
Flow rate			
Acoustic class			

TECHNICAL DRAWINGS



**Sidelever basin mixer
with pop-up waste
3.1170.1.004.211.1
without pop-up waste
3.1170.1.004.210.1**



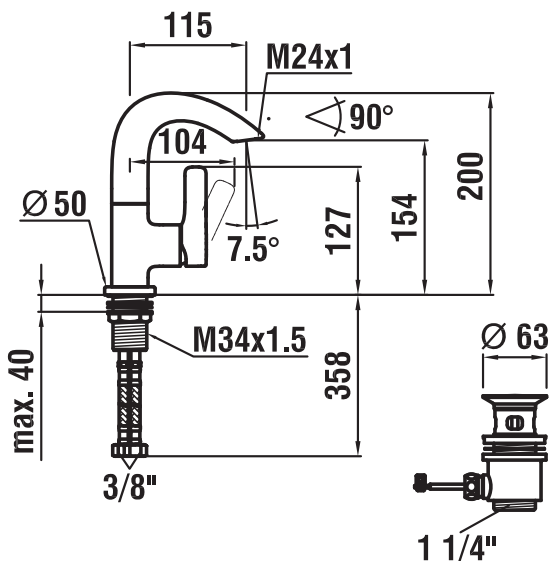
TECHNICAL DATA / WITH POP-UP WASTE

Order no.	3.1170.1.004.211.1
Connection	3/8" flexible connection hoses
Spout length	115 mm
Flow rate	4.5 l/min (3 bar)
Acoustic class	I/-
Specification	sidelever one-hole basin mixer 35 mm Quattro-G cartridge with flow and temperature limitation swivel spout
Accessories incl.	pop-up waste 1 1/4"
Surface finish	chrome

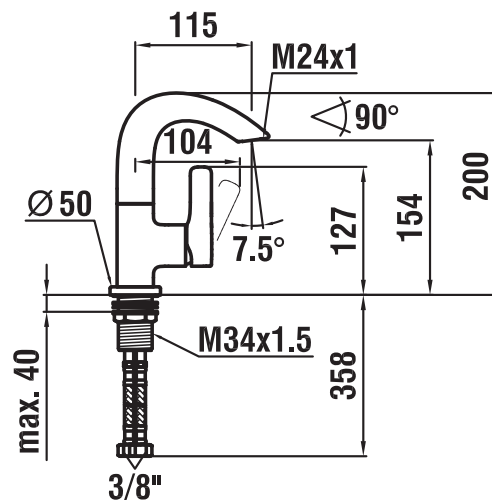
TECHNICAL DATA / WITHOUT POP-UP WASTE

Order no.	3.1170.1.004.210.1
Connection	3/8" flexible connection hoses
Spout length	115 mm
Flow rate	4.5 l/min (3 bar)
Acoustic class	I/-
Specification	sidelever one-hole basin mixer 35 mm Quattro-G cartridge with flow and temperature limitation swivel spout
Surface finish	chrome

TECHNICAL DRAWINGS



TECHNICAL DRAWINGS



CURVEPRIME

Sidelever basin mixer with pop-up waste 3.1170.1.004.221.1 without pop-up waste 3.1170.1.004.220.1



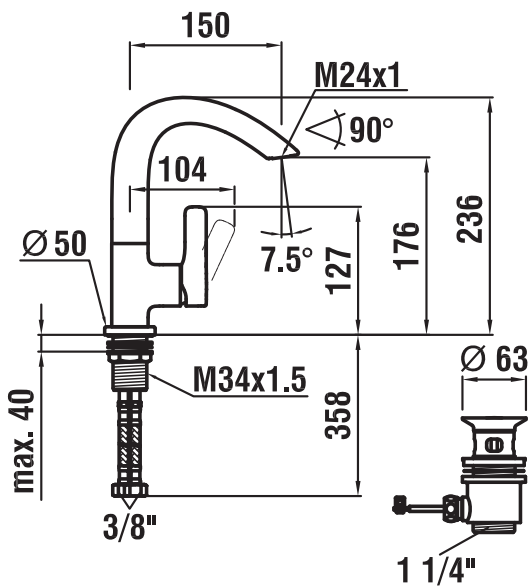
TECHNICAL DATA / WITH POP-UP WASTE

Order no.	3.1170.1.004.221.1
Connection	3/8" flexible connection hoses
Spout length	150 mm
Flow rate	4.5 l/min (3 bar)
Acoustic class	I/-
Specification	sidelever one-hole basin mixer 35 mm Quattro-G cartridge with flow and temperature limitation swivel spout
Accessories incl.	pop-up waste 1 1/4"
Surface finish	chrome

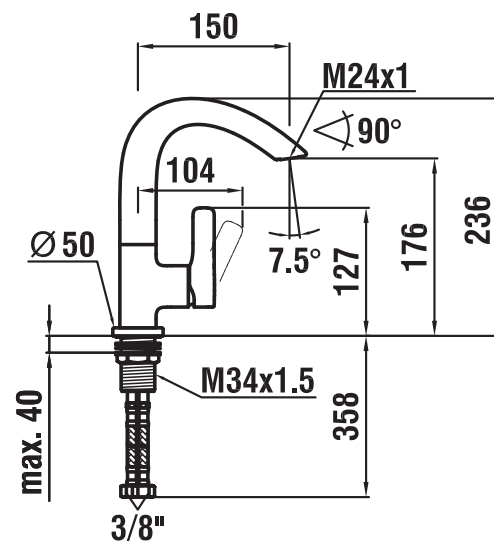
TECHNICAL DATA / WITHOUT POP-UP WASTE

Order no.	3.1170.1.004.220.1
Connection	3/8" flexible connection hoses
Spout length	150 mm
Flow rate	4.5 l/min (3 bar)
Acoustic class	I/-
Specification	sidelever one-hole basin mixer 35 mm Quattro-G cartridge with flow and temperature limitation swivel spout
Surface finish	chrome

TECHNICAL DRAWINGS



TECHNICAL DRAWINGS



CURVEPRIME

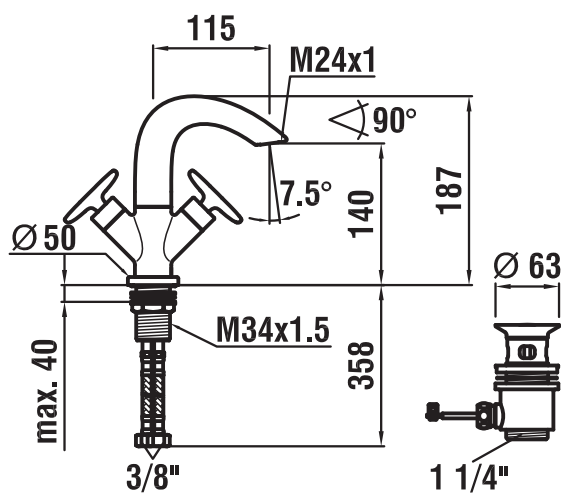
2 handles basin mixer with pop-up waste 3.1270.1.004.211.1



TECHNICAL DATA

Order no.	3.1270.1.004.211.1	Specification	2 handles basin one-hole mixer swivel spout
Connection	3/8" flexible connection hoses	Accessories incl.	pop-up waste 1 1/4"
Spout length	115 mm	Surface finish	chrome
Flow rate	4.5 l/min (3 bar)		
Acoustic class	I/-		

TECHNICAL DRAWINGS



CURVEPRIME

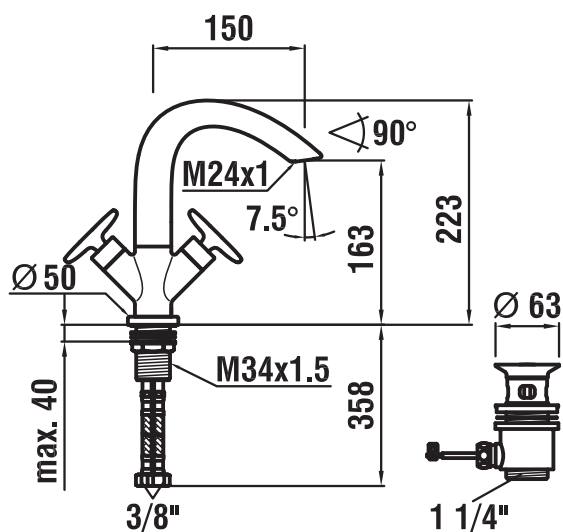
2 handles basin mixer with pop-up waste 3.1270.1.004.221.1



TECHNICAL DATA

Order no.	3.1270.1.004.221.1	Specification	2 handles basin one-hole mixer swivel spout
Connection	3/8" flexible connection hoses	Accessories incl.	pop-up waste 1 1/4"
Spout length	150 mm	Surface finish	chrome
Flow rate	4.5 l/min (3 bar)		
Acoustic class	I/-		

TECHNICAL DRAWINGS



CURVEPRIME

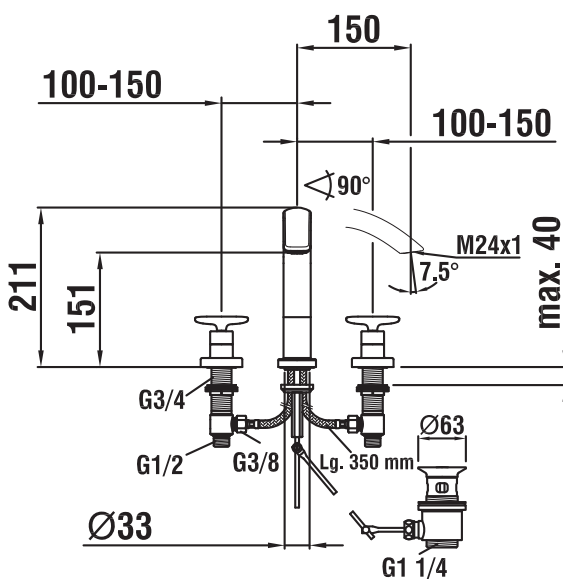
3-holes basin mixer with pop-up waste 3.1270.3.004.221.1



TECHNICAL DATA

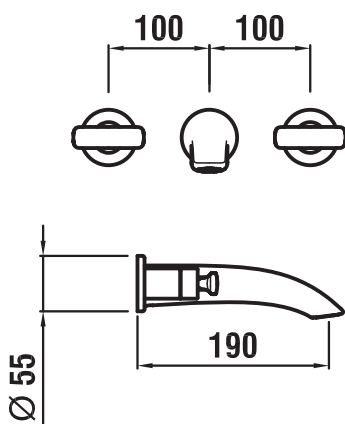
Order no.	3.1270.3.004.221.1	Specification	3-holes basin mixer swivel spout
Connection	3/8" flexible connection hoses	Accessories incl.	pop-up waste 1 1/4"
Spout length	150 mm	Surface finish	chrome
Flow rate	4.5 l/min (3 bar)		
Acoustic class	I/-		

TECHNICAL DRAWINGS



**Concealed basin 2 handles wall mixer
3.1270.6.004.120.1****TECHNICAL DATA**

Order no.	3.1270.6.004.120.1	Specification	concealed 2-handles basin mixer 2 ceramic heads fixed spout
Spout length	190 mm	Mounting acc. excl.	brass rough-in concealed set with 3 plugs, order no. 3.7698.2.000.100.1 extension set for concealed wall mixer, L =25 mm, order no. 3.7670.4.000.050.1
Flow rate	5.2 l/min (3 bar)	Surface finish	chrome
Acoustic class	I/-		

TECHNICAL DRAWINGS

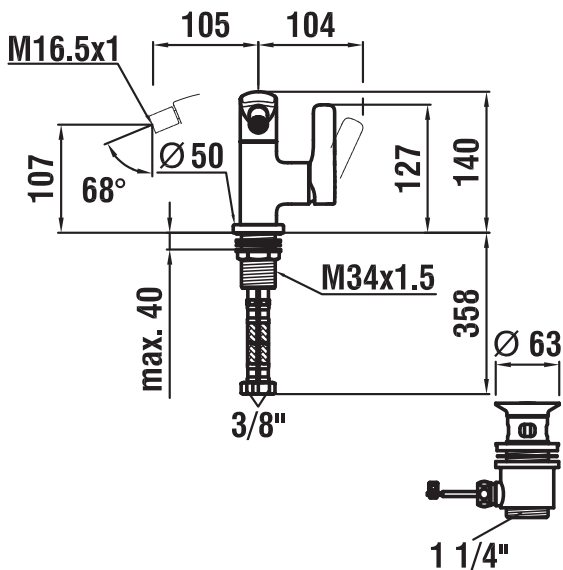
**Sidelever bidet mixer with pop-up waste
3.4170.1.004.111.1**



TECHNICAL DATA

Order no.	3.4170.1.004.111.1	Specification	sidelever one-hole bidet mixer
Connection	3/8" flexible connection hoses		35 mm Quattro-G cartridge with flow and temperature limitation
Spout length	105 mm		fixed spout
Flow rate	4.5 l/min (3 bar)	Accessories incl.	pop-up waste 1 1/4"
Acoustic class	I/-	Surface finish	chrome

TECHNICAL DRAWINGS



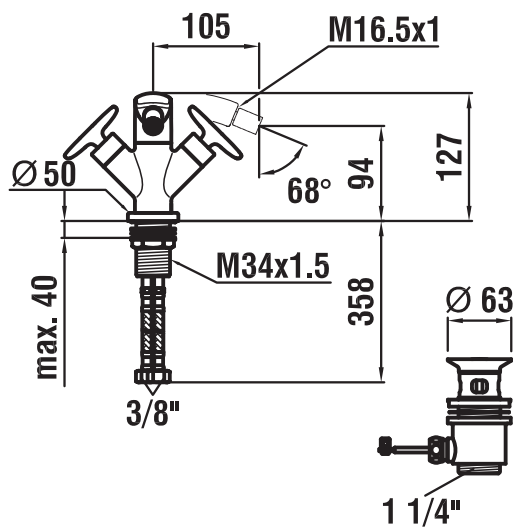
**2 handles bidet mixer with pop-up waste
3.4270.1.004.111.1**



TECHNICAL DATA

Order no.	3.4270.1.004.111.1	Specification	2 handles bidet one-hole mixer fixed spout
Connection	3/8" flexible connection hoses	Accessories incl.	pop-up waste 1 1/4"
Spout length	105 mm	Surface finish	chrome
Flow rate	4.5 l/min (3 bar)		
Acoustic class	I/-		

TECHNICAL DRAWINGS



CURVEPRIME

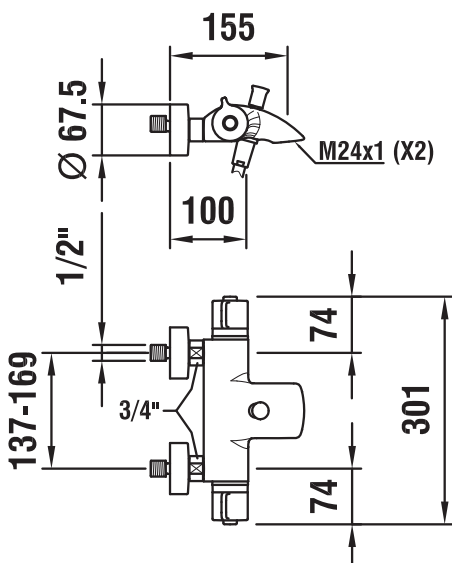
Thermostatic bath mixer with accessories 3.2370.7.004.145.1 without accessories 3.2370.7.004.400.1



TECHNICAL DATA

Order no.	3.2370.7.004.145.1 / with accessories 3.2370.7.004.400.1 / without accessories	Specification	thermostatic bath mixer temperature handle with safety button 38° C flow rate handle with built-in water-saver button (50%) automatic hot water shut-off in the event of a cold water supply failure fixed spout automatic diverter intrinsically safe against backflow
Gauge	137-169 mm	Accessories incl.	order no. 3.2370.7.004.145.1 – complete with flexible hose 1800 mm and handshower Comfort Tre
Connection	1/2"	Mounting acc. incl.	wall connections
Hose connection	1/2" (DN15)	Surface finish	chrome
Spout length	155 mm		
Flow rate	spout: 21.1 l/min (3 bar) shower: 14.3 l/min (3 bar)		
Acoustic class	spout: II/- shower: IIB		

TECHNICAL DRAWINGS



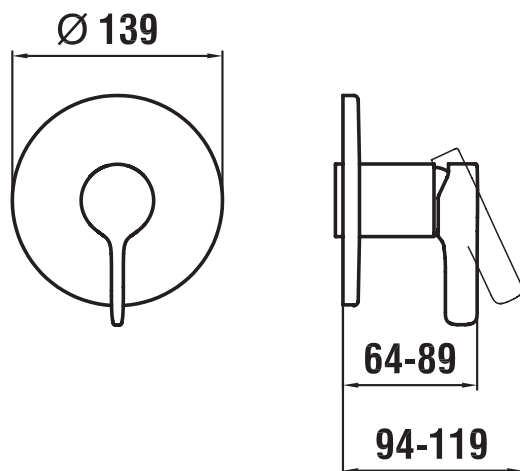
**Set for concealed shower mixer Simibox
3.3170.6.004.000.1**



TECHNICAL DATA

Order no.	3.3170.6.004.000.1	Mounting acc. excl.	either Simibox Standard, concealed system for bath and shower mixer, order no. 3.7898.0.000.000.1 or Simibox Light, concealed system for bath and shower mixer:
Flow rate	Simibox Light: 19.2 l/min (3 bar) Simibox Standard: 18.1 l/min (3 bar)		with stop valve: order no. 3.7898.0.000.100.1 without stop valve: order no. 3.7898.0.000.101.1
Acoustic class	Simibox Light: IC Simibox Standard: IA		Simibox, mounting aid for concealed bath and shower mixer, order no. 3.7998.0.003.000.1 Simibox, flange set, order no. 3.7998.0.000.500.1 Simibox, extension set L = 25 mm – order no. 3.7998.0.000.050.1 L = 50 mm – order no. 3.7998.0.000.060.1
Specification	set for concealed bath/shower mixer Simibox 40 mm Ecototal cartridge with flow and temperature brake automatic diverter	Surface finish	chrome

TECHNICAL DRAWINGS



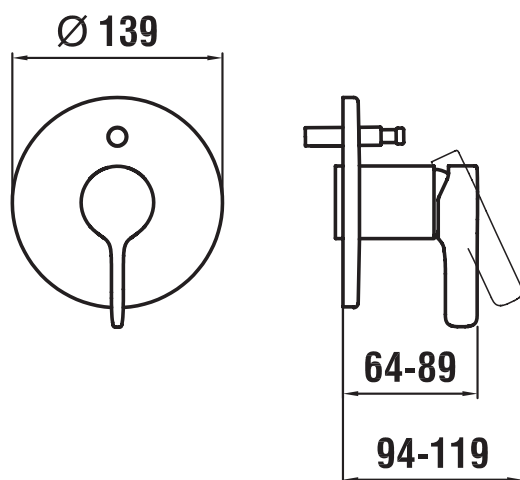
**Set for concealed bath/shower mixer Simibox
with integrated vacuum breaker
3.2170.6.004.010.1**



TECHNICAL DATA

Order no.	3.2170.6.004.010.1	Mounting acc. excl.	either Simibox Standard, concealed system for bath and shower mixer, order no. 3.7898.0.000.000.1 or Simibox Light, concealed system for bath and shower mixer:
Flow rate	Simibox Light: spout: 21.9 l/min (3 bar) shower: 19.2 l/min (3 bar) Simibox Standard: spout: 20.6 l/min (3 bar) shower: 18.1 l/min (3 bar)		with stop valve: order no. 3.7898.0.000.100.1 without stop valve: order no. 3.7898.0.000.101.1
Acoustic class	Simibox Light: spout: ID shower: IC Simibox Standard: spout: IC shower: IB		Simibox, mounting aid for concealed bath and shower mixer, order no. 3.7998.0.003.000.1 Simibox, flange set, order no. 3.7998.0.000.500.1 Simibox, extension set L = 25 mm – order no. 3.7998.0.000.050.1 L = 50 mm – order no. 3.7998.0.000.060.1
Specification	set for concealed bath/shower mixer Simibox with integrated vacuum breaker 40 mm Ecototal cartridge with flow and temperature brake automatic diverter	Surface finish	chrome

TECHNICAL DRAWINGS



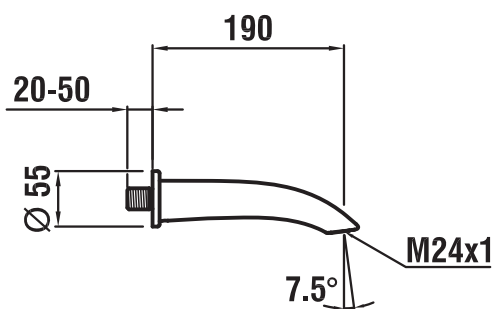
CURVEPRIME
Wall spout
3.7170.0.004.060.1



TECHNICAL DATA

Order no.	3.7170.0.004.060.1	Specification	wall spout fixed spout
Connection	1/2"	Surface finish	chrome
Spout length	190 mm		

TECHNICAL DRAWINGS



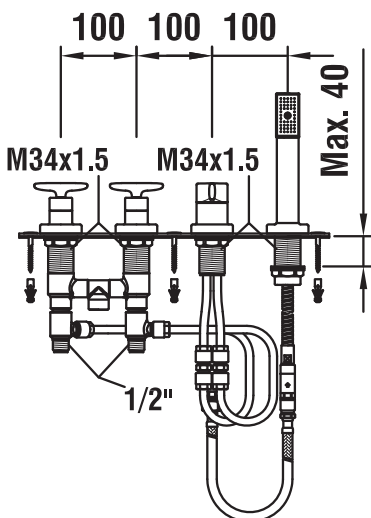
Roman tub filler 4-holes on straight plate
3.2270.4.004.284.1



TECHNICAL DATA

Order no.	3.2270.4.004.284.1	Specification	roman tub filler 4-holes for external water inlet on straight plate handshower with flexible hose 2000 mm intrinsicly safe against backflow 2 shut off valves
matching for	bathtubs with combined water inlet and out-/overflow system: drain and overflow fitting, order no. 2.9510.1.000.000.1 chrome plated knob and valve, order no. 2.9510.6.004.000.1	Mounting acc. excl.	installation bracket for roman tub filler 4-holes, 418 x 96 mm, order no. 3.9298.2.004.212.1 installation bracket with wire basket, 4-holes, L = 420 mm, H = 450 mm, order no. 3.9298.2.004.215.1 flexible connection hose, order no. 3.9298.2.004.217.1 installation supports order no. 3.9298.2.004.218.1 making-up lengths G 1/2, order no. 3.9298.2.004.219.1
Flow rate	spout: 35.2 l/min (3 bar) shower: 13.6 l/min (3 bar)	Surface finish	chrome
Acoustic class	spout: II/- shower: IIB		

TECHNICAL DRAWINGS



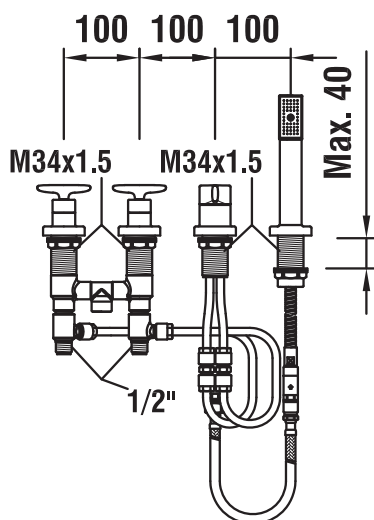
**Roman tub filler 4-holes without straight plate
3.2270.4.904.284.1**



TECHNICAL DATA

Order no.	3.2270.4.904.284.1	Specification	roman tub filler 4-holes for external water inlet without straight plate
matching for	bathtubs with combined water inlet and out-/overflow system: drain and overflow fitting, order no. 2.9510.1.000.000.1 chrome plated knob and valve, order no. 2.9510.6.004.000.1		handshower with flexible hose 2000 mm intrinsically safe against backflow 2 shut off valves
Flow rate	spout: 35.2 l/min (3 bar) shower: 13.6 l/min (3 bar)	Mounting acc. excl.	installation bracket for roman tub filler 4-holes, 418 x 96 mm, order no. 3.9298.2.004.212.1 installation bracket with wire basket, 4-holes, L = 420 mm, H = 450 mm, order no. 3.9298.2.004.215.1 flexible connection hose, order no. 3.9298.2.004.217.1 installation supports order no. 3.9298.2.004.218.1 making-up lengths G 1/2, order no. 3.9298.2.004.219.1
Acoustic class	spout: II/- shower: IIB	Surface finish	chrome

TECHNICAL DRAWINGS



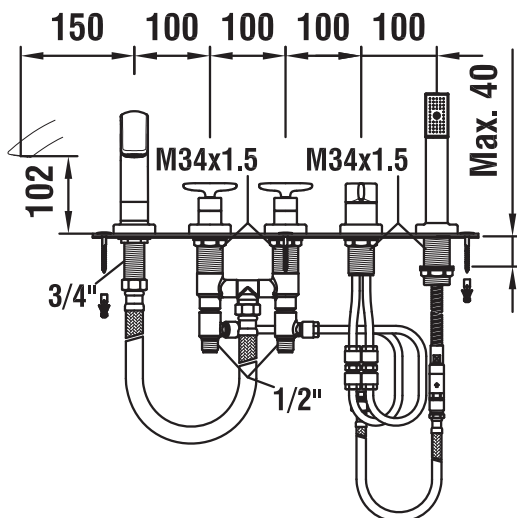
Roman tub filler 5-holes on straight plate
3.2270.5.004.384.1



TECHNICAL DATA

Order no.	3.2270.5.004.384.1	Mounting acc. excl.	installation bracket for roman tub filler 5-holes, 518 x 96 mm, order no. 3.9298.2.004.211.1
Spout length	150 mm		installation bracket with wire basket, 5-holes, L = 520 mm, H = 450 mm, order no. 3.9298.2.004.214.1
Flow rate	spout: 35.2 l/min (3 bar) shower: 13.6 l/min (3 bar)		flexible connection hose, order no. 3.9298.2.004.217.1
Acoustic class	spout: II/- shower: IIB		Installation supports order no. 3.9298.2.004.218.1
Specification	roman tub filler 5-holes on straight plate fixed spout handshower with flexible hose 2000 mm intrinsically safe against backflow 2 shut off valves		making-up lengths G 1/2, order no. 3.9298.2.004.219.1
		Surface finish	chrome

TECHNICAL DRAWINGS



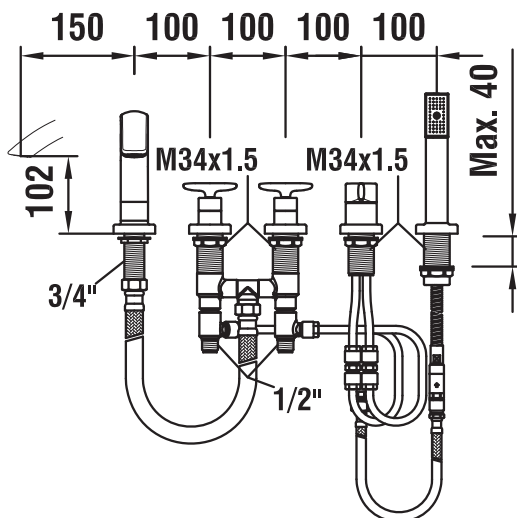
Roman tub filler 5-holes without straight plate
3.2270.5.904.384.1



TECHNICAL DATA

Order no.	3.2270.5.904.384.1	Mounting acc. excl.	installation bracket for roman tub filler 5-holes, 518 x 96 mm, order no. 3.9298.2.004.211.1
Spout length	150 mm		installation bracket with wire basket, 5-holes, L = 520 mm, H = 450 mm, order no. 3.9298.2.004.214.1
Flow rate	spout: 35.2 l/min (3 bar) shower: 13.6 l/min (3 bar)		flexible connection hose, order no. 3.9298.2.004.217.1
Acoustic class	spout: II/- shower: IIB		installation supports order no. 3.9298.2.004.218.1
Specification	roman tub filler 5-holes without straight plate fixed spout handshower with flexible hose 2000 mm intrinsically safe against backflow 2 shut off valves		making-up lengths G 1/2, order no. 3.9298.2.004.219.1
		Surface finish	chrome

TECHNICAL DRAWINGS



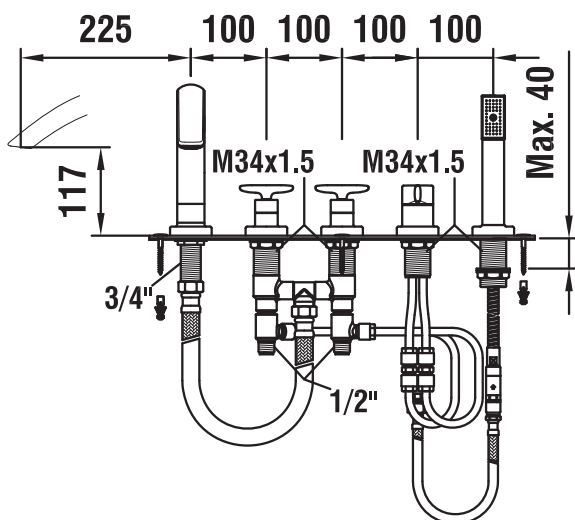
Roman tub filler 5-holes on straight plate
3.2270.5.004.284.1



TECHNICAL DATA

Order no.	3.2270.5.004.284.1	Mounting acc. excl.	installation bracket for roman tub filler 5-holes, 518 x 96 mm, order no. 3.9298.2.004.211.1
Spout length	225 mm		installation bracket with wire basket, 5-holes, L = 520 mm, H = 450 mm, order no. 3.9298.2.004.214.1
Flow rate	spout: 35.2 l/min (3 bar) shower: 13.6 l/min (3 bar)		flexible connection hose, order no. 3.9298.2.004.217.1
Acoustic class	spout: II/- shower: IIB		installation supports order no. 3.9298.2.004.218.1
Specification	roman tub filler 5-holes on straight plate fixed spout handshower with flexible hose 2000 mm intrinsically safe against backflow 2 shut off valves		making-up lengths G 1/2, order no. 3.9298.2.004.219.1
		Surface finish	chrome

TECHNICAL DRAWINGS



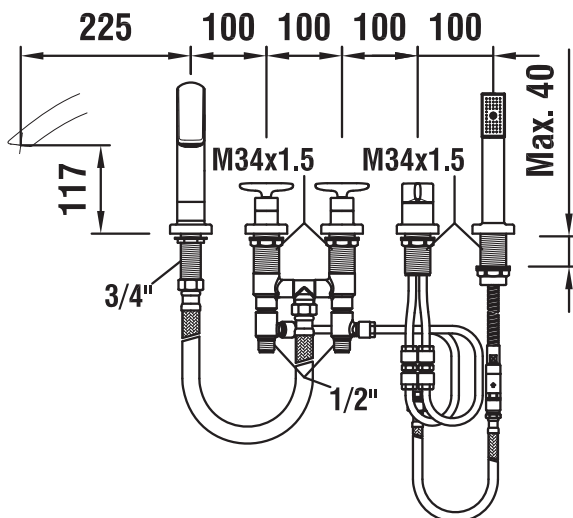
Roman tub filler 5-holes without straight plate
3.2270.5.904.284.1



TECHNICAL DATA

Order no.	3.2270.5.904.284.1	Mounting acc. excl.	installation bracket for roman tub filler 5-holes, 518 x 96 mm, order no. 3.9298.2.004.211.1
Spout length	225 mm		installation bracket with wire basket, 5-holes, L = 520 mm, H = 450 mm, order no. 3.9298.2.004.214.1
Flow rate	spout: 35.2 l/min (3 bar) shower: 13.6 l/min (3 bar)		flexible connection hose, order no. 3.9298.2.004.217.1
Acoustic class	spout: II/- shower: IIB		installation supports order no. 3.9298.2.004.218.1
Specification	roman tub filler 5-holes without straight plate fixed spout handshower with flexible hose 2000 mm intrinsically safe against backflow 2 shut off valves		making-up lengths G 1/2, order no. 3.9298.2.004.219.1
		Surface finish	chrome

TECHNICAL DRAWINGS



CURVEPRIME

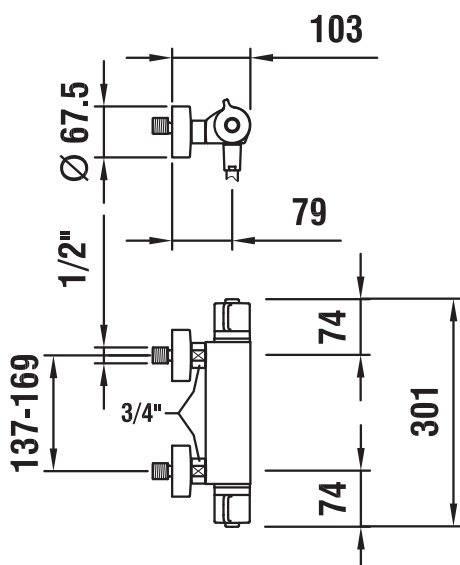
Thermostatic shower mixer with accessories 3.3370.7.004.145.1 without accessories 3.3370.7.004.400.1



TECHNICAL DATA

Order no.	3.3370.7.004.145.1 / with accessories 3.3370.7.004.400.1 / without accessories	Specification	thermostatic shower mixer temperature handle with safety button 38° C flow rate handle with built-in water-saver button (50%) automatic hot water shut-off in the event of a cold water supply failure intrinsically safe against backflow
Gauge	137-169 mm	Accessories incl.	order no. 3.3370.7.004.145.1 – complete with flexible hose 1800 mm and handshower Comfort Tre
Connection	1/2"	Mounting acc. incl.	wall connections
Hose connection	1/2" (DN15)	Surface finish	chrome
Flow rate	13 l/min (3 bar)		
Acoustic class	IIB		

TECHNICAL DRAWINGS



Basin single-lever mixer with pop-up waste

3.1165.1.014.111.1

3.1165.1.024.111.1

without pop-up waste

3.1165.1.014.110.1

3.1165.1.024.110.1



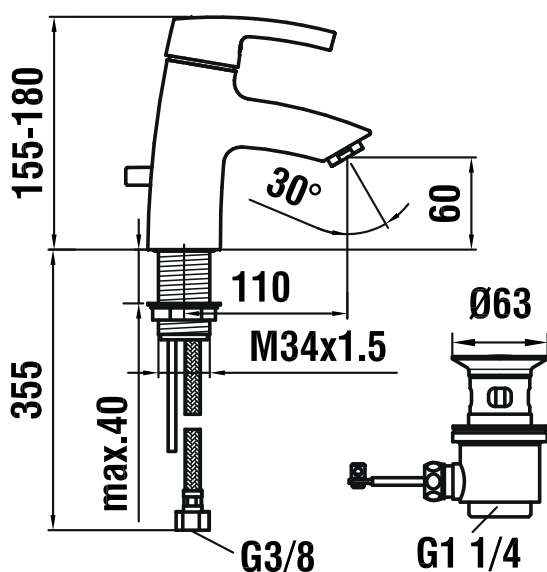
TECHNICAL DATA / WITH POP-UP WASTE

Order no.	3.1165.1.014.111.1, lever green 3.1165.1.024.111.1, lever red
matching for	lever green and red suitable for Florakids
Connection	3/8" flexible connection hoses
Spout length	110 mm
Flow rate	6.4 l/min (3 bar)
Acoustic class	I/-
Specification	basin single-lever mixer 40 mm cartridge with flow and temperature limitation settings fixed spout
Accessories incl.	pop-up waste 1 1/4"
Surface finish	chrome – lever green / lever red

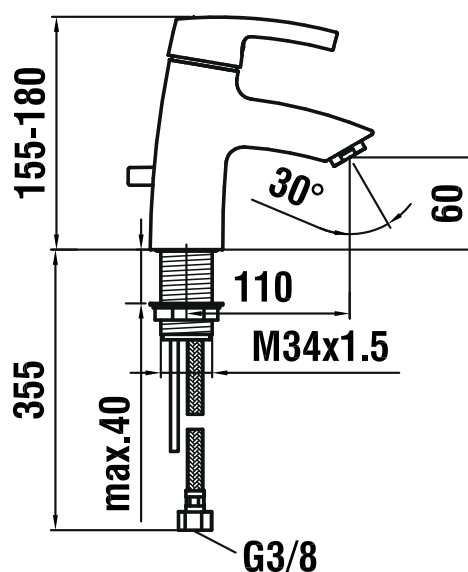
TECHNICAL DATA / WITHOUT POP-UP WASTE

Order no.	3.1165.1.014.110.1, lever green 3.1165.1.024.110.1, lever red
matching for	lever green and red suitable for Florakids
Connection	3/8" flexible connection hoses
Spout length	110 mm
Flow rate	6.4 l/min (3bar)
Acoustic class	I/-
Specification	basin single-lever mixer 40 mm cartridge with flow and temperature limitation settings fixed spout
Surface finish	chrome – lever green / lever red

TECHNICAL DRAWINGS



TECHNICAL DRAWINGS



**Basin single-lever mixer
with pop-up waste
3.1132.1.004.101.1
without pop-up waste
3.1132.1.004.100.1**



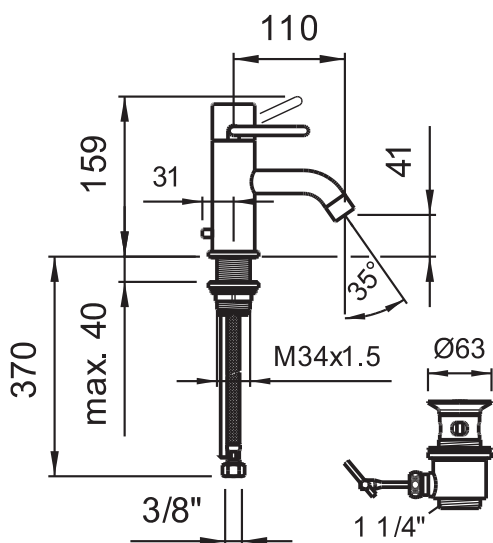
TECHNICAL DATA / WITH POP-UP WASTE

Order no.	3.1132.1.004.101.1
Connection	3/8" flexible connection hoses
Spout length	110 mm
Flow rate	4.9 l/min (3 bar)
Acoustic class	I/-
Specification	basin single-lever mixer 35 mm Quattro-G cartridge with flow and temperature limitation fixed spout
Accessories incl.	pop-up waste 1 1/4"
Surface finish	chrome

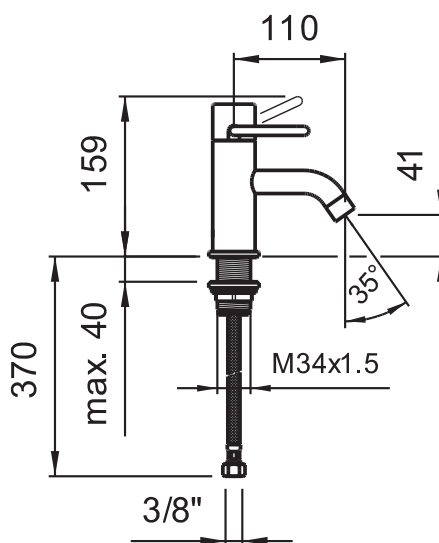
TECHNICAL DATA / WITHOUT POP-UP WASTE

Order no.	3.1132.1.004.100.1
Connection	3/8" flexible connection hoses
Spout length	110 mm
Flow rate	4.9 l/min (3 bar)
Acoustic class	I/-
Specification	basin single-lever mixer 35 mm Quattro-G cartridge with flow and temperature limitation fixed spout
Surface finish	chrome

TECHNICAL DRAWINGS



TECHNICAL DRAWINGS



**Basin single-lever mixer
with pop-up waste
3.1132.1.004.111.1
without pop-up waste
3.1132.1.004.110.1**



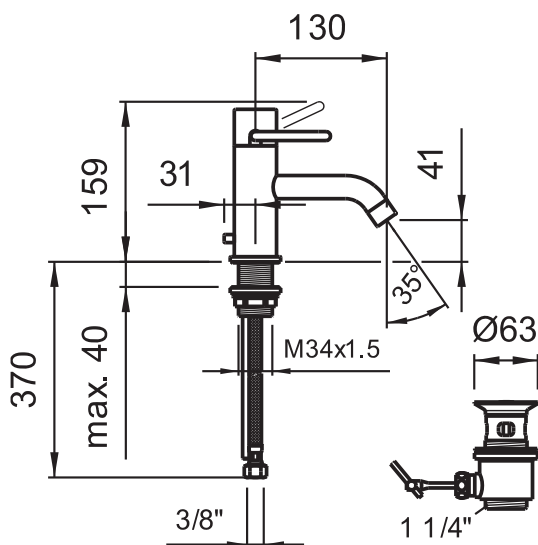
TECHNICAL DATA / WITH POP-UP WASTE

Order no.	3.1132.1.004.111.1
Connection	3/8" flexible connection hoses
Spout length	130 mm
Flow rate	4.9 l/min (3 bar)
Acoustic class	I/-
Specification	basin single-lever mixer 35 mm Quattro-G cartridge with flow and temperature limitation fixed spout
Accessories incl.	pop-up waste 1 1/4"
Surface finish	chrome

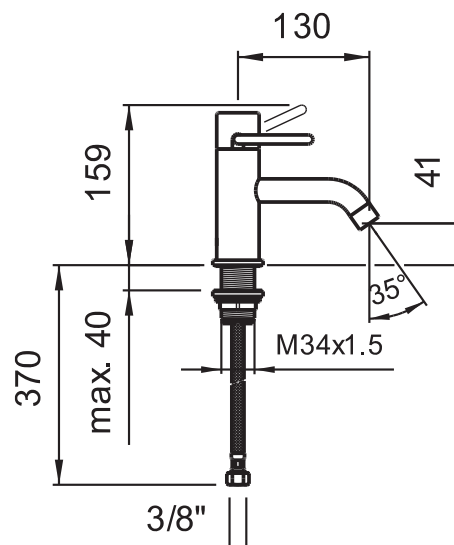
TECHNICAL DATA / WITHOUT POP-UP WASTE

Order no.	3.1132.1.004.110.1
Connection	3/8" flexible connection hoses
Spout length	130 mm
Flow rate	4.9 l/min (3 bar)
Acoustic class	I/-
Specification	basin single-lever mixer 35 mm Quattro-G cartridge with flow and temperature limitation fixed spout
Surface finish	chrome

TECHNICAL DRAWINGS



TECHNICAL DRAWINGS



**Basin single-lever mixer
with pop-up waste
3.1132.1.004.211.1
without pop-up waste
3.1132.1.004.210.1**



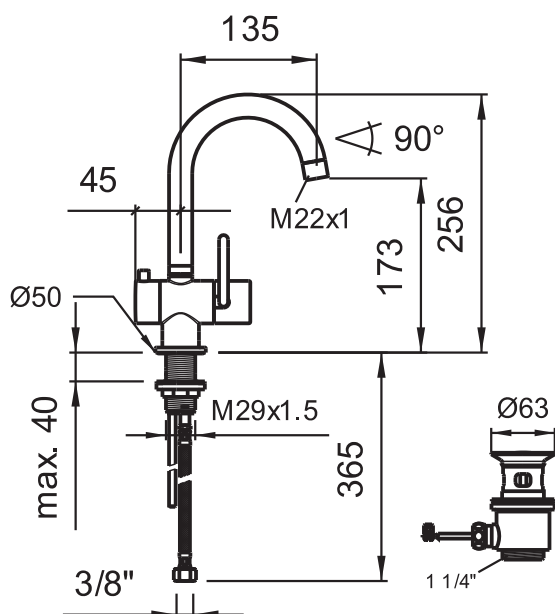
TECHNICAL DATA / WITH POP-UP WASTE

Order no.	3.1132.1.004.211.1
Connection	3/8" flexible connection hoses
Spout length	135 mm
Flow rate	5.0 l/min (3 bar)
Acoustic class	I/-
Specification	basin single-lever mixer 35 mm Quattro-G cartridge with flow and temperature limitation control handle can be positioned right / front / left swivel spout
Accessories incl.	pop-up waste 1 1/4"
Surface finish	chrome

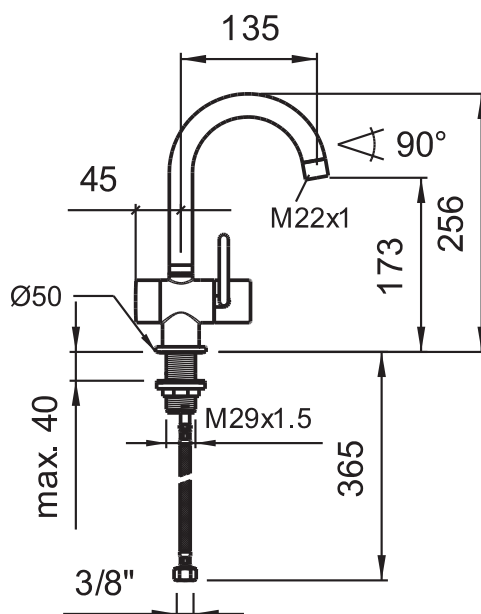
TECHNICAL DATA / WITHOUT POP-UP WASTE

Order no.	3.1132.1.004.210.1
Connection	3/8" flexible connection hoses
Spout length	135 mm
Flow rate	5.0 l/min (3 bar)
Acoustic class	I/-
Specification	basin single-lever mixer 35 mm Quattro-G cartridge with flow and temperature limitation control handle can be positioned right / front / left swivel spout
Surface finish	chrome

TECHNICAL DRAWINGS



TECHNICAL DRAWINGS



**Basin single-lever mixer
with pop-up waste
3.1132.1.004.201.1
without pop-up waste
3.1132.1.004.200.1**



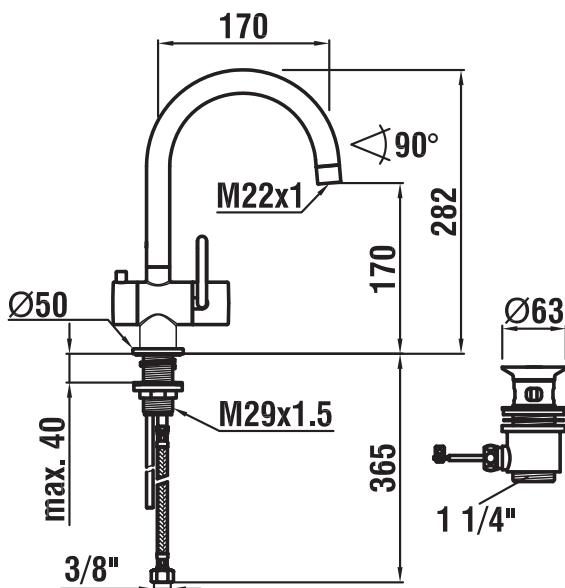
TECHNICAL DATA / WITH POP-UP WASTE

Order no.	3.1132.1.004.201.1
Connection	3/8" flexible connection hoses
Spout length	170 mm
Flow rate	5.0 l/min (3 bar)
Acoustic class	I/-
Specification	basin single-lever mixer 35 mm cartridge with temperature and flow limitation swivel spout
Accessories incl.	pop-up waste 1 1/4"
Surface finish	chrome

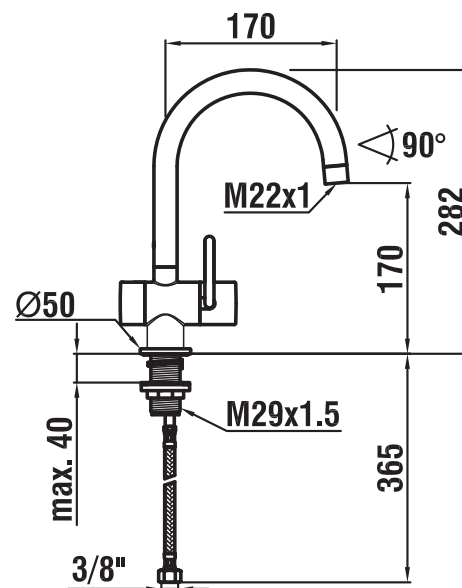
TECHNICAL DATA / WITHOUT POP-UP WASTE

Order no.	3.1132.1.004.200.1
Connection	3/8" flexible connection hoses
Spout length	170 mm
Flow rate	5.0 l/min (3 bar)
Acoustic class	I/-
Specification	basin single-lever mixer 35 mm cartridge with temperature and flow limitation swivel spout
Surface finish	chrome

TECHNICAL DRAWINGS



TECHNICAL DRAWINGS



**Standing column single-lever mixer
with pop-up waste
3.1132.1.004.120.1
without pop-up waste
3.1132.1.004.121.1**



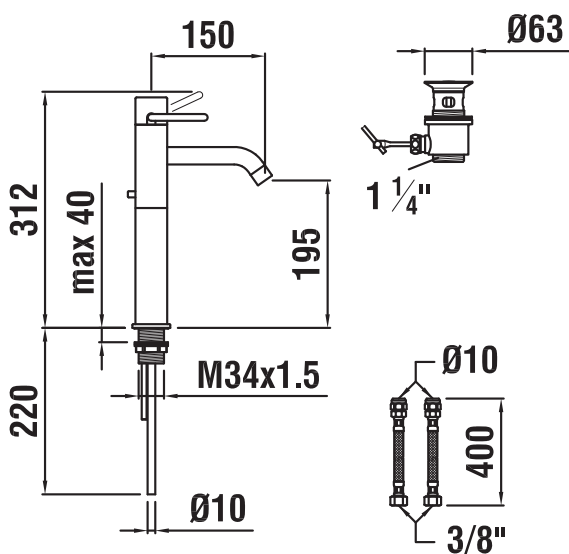
TECHNICAL DATA / WITH POP-UP WASTE

Order no.	3.1132.1.004.120.1
Connection	3/8" flexible connection hoses
Spout length	150 mm
Flow rate	4.9 l/min (3 bar)
Acoustic class	I/-
Specification	standing column single-lever mixer 35 mm Quattro-G cartridge with flow and temperature limitation fixed spout
Accessories incl.	pop-up waste 1 1/4"
Surface finish	chrome

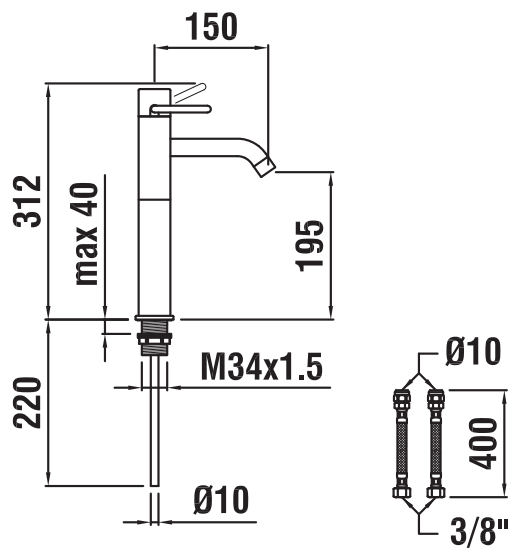
TECHNICAL DATA / WITHOUT POP-UP WASTE

Order no.	3.1132.1.004.121.1
Connection	3/8" flexible connection hoses
Spout length	150 mm
Flow rate	4.9 l/min (3 bar)
Acoustic class	I/-
Specification	standing column single-lever mixer 35 mm Quattro-G cartridge with flow and temperature limitation fixed spout
Surface finish	chrome

TECHNICAL DRAWINGS

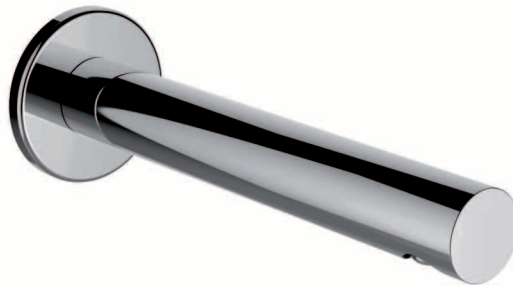


TECHNICAL DRAWINGS



TWINPRIME

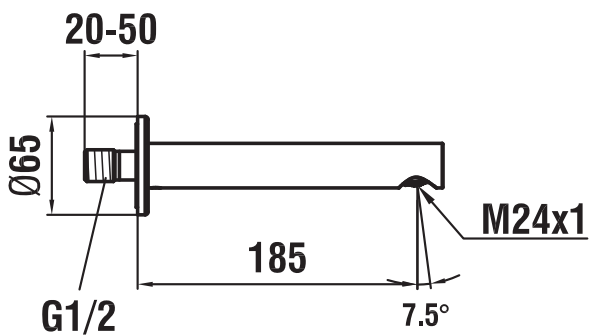
Wall spout
3.7162.0.004.060.1



TECHNICAL DATA

Order no.	3.7162.0.004.060.1	Specification	wall spout fixed spout
Connection	1/2"	Surface finish	chrome
Spout length	185 mm		

TECHNICAL DRAWINGS



**Basin single-lever mixer
with pop-up waste
3.1162.1.004.111.1
without pop-up waste
3.1162.1.004.110.1**



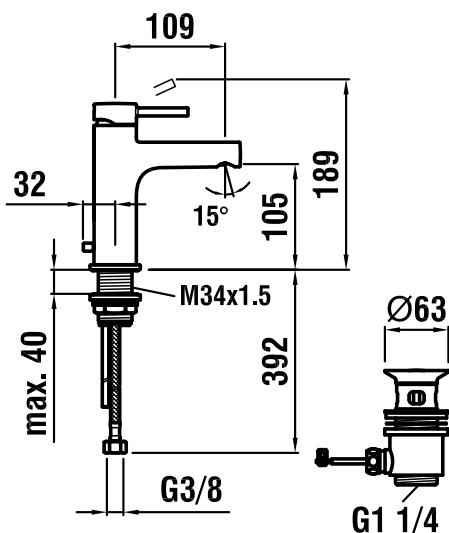
TECHNICAL DATA / WITH POP-UP WASTE

Order no.	3.1162.1.004.111.1
Connection	3/8" flexible connection hoses
Spout length	109 mm
Flow rate	5.7 l/min (3 bar)
Acoustic class	I/-
Specification	basin single-lever mixer 35 mm Quattro-G cartridge with flow and temperature limitation fixed spout
Accessories incl.	pop-up waste 1¼"
Surface finish	chrome

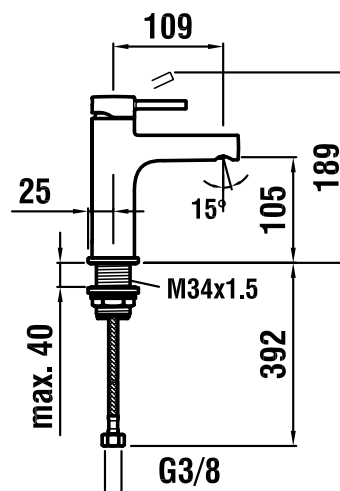
TECHNICAL DATA / WITHOUT POP-UP WASTE

Order no.	3.1162.1.004.110.1
Connection	3/8" flexible connection hoses
Spout length	109 mm
Flow rate	5.7 l/min (3 bar)
Acoustic class	I/-
Specification	basin single-lever mixer 35 mm Quattro-G cartridge with flow and temperature limitation fixed spout
Surface finish	chrome

TECHNICAL DRAWINGS



TECHNICAL DRAWINGS



**Basin single-lever mixer
with pop-up waste
3.1162.1.004.121.1
without pop-up waste
3.1162.1.004.120.1**



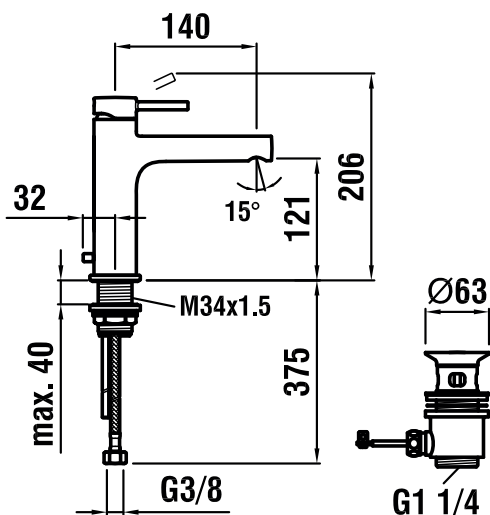
TECHNICAL DATA / WITH POP-UP WASTE

Order no.	3.1162.1.004.121.1
Connection	3/8" flexible connection hoses
Spout length	140 mm
Flow rate	5.7 l/min (3 bar)
Acoustic class	I/-
Specification	basin single-lever mixer 35 mm Quattro-G cartridge with flow and temperature limitation fixed spout
Accessories incl.	pop-up waste 1 1/4"
Surface finish	chrome

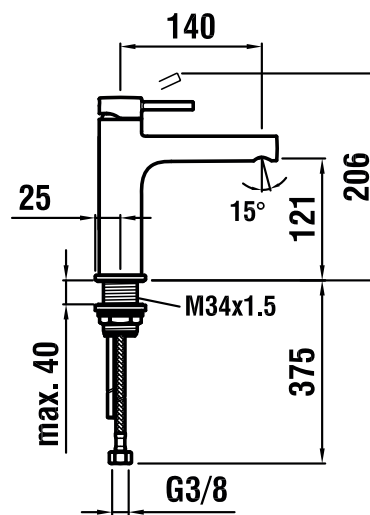
TECHNICAL DATA / WITHOUT POP-UP WASTE

Order no.	3.1162.1.004.120.1
Connection	3/8" flexible connection hoses
Spout length	140 mm
Flow rate	5.7 l/min (3 bar)
Acoustic class	I/-
Specification	basin single-lever mixer 35 mm Quattro-G cartridge with flow and temperature limitation fixed spout
Surface finish	chrome

TECHNICAL DRAWINGS



TECHNICAL DRAWINGS

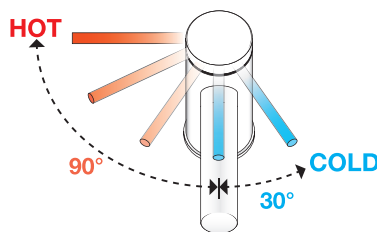


**Basin single-lever mixer
with pop-up waste
3.1162.1.704.121.1
without pop-up waste
3.1162.1.704.120.1**

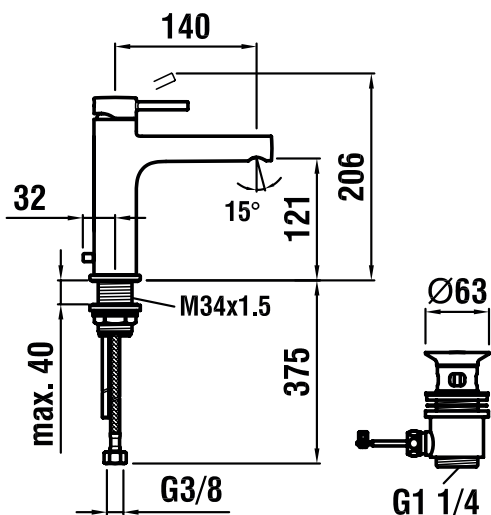


TECHNICAL DATA / WITH POP-UP WASTE	
Order no.	3.1162.1.704.121.1
Connection	3/8" flexible connection hoses
Spout length	140 mm
Flow rate	5.7 l/min (3 bar)
Acoustic class	I/-
Specification	basin single-lever mixer Eco+ function, cold water position in the middle 35 mm cartridge fixed spout
Accessories incl.	pop-up waste 1 1/4"
Surface finish	chrome

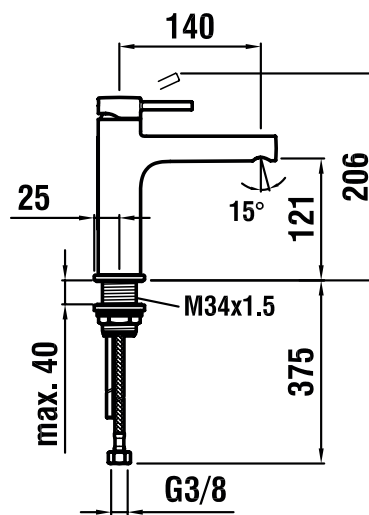
TECHNICAL DATA / WITHOUT POP-UP WASTE	
Order no.	3.1162.1.704.120.1
Connection	3/8" flexible connection hoses
Spout length	140 mm
Flow rate	5.7 l/min (3 bar)
Acoustic class	I/-
Specification	basin single-lever mixer Eco+ function, cold water position in the middle 35 mm cartridge fixed spout
Surface finish	chrome



TECHNICAL DRAWINGS



TECHNICAL DRAWINGS



**Basin single-lever mixer
with pop-up waste
3.1162.1.004.221.1
without pop-up waste
3.1162.1.004.220.1**



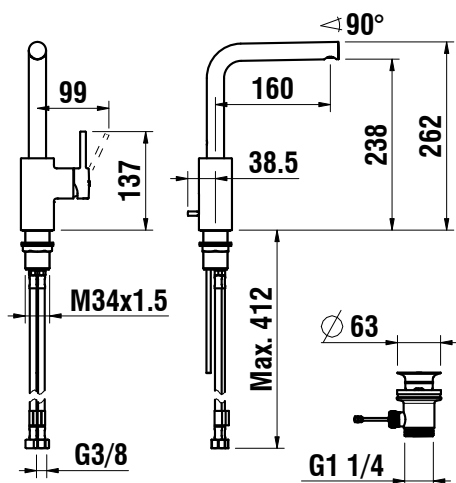
TECHNICAL DATA / WITH POP-UP WASTE

Order no.	3.1162.1.004.221.1
Connection	3/8" flexible connection hoses
Spout length	160 mm
Flow rate	5.7 l/min (3 bar)
Acoustic class	I/-
Specification	basin single-lever mixer cold water lever position at 12 o'clock 35 mm Quattro-G cartridge with flow and temperature limitation swivel spout
Accessories incl.	pop-up waste 1¼"
Surface finish	chrome

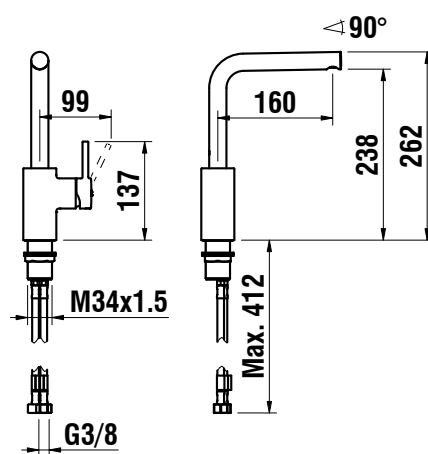
TECHNICAL DATA / WITHOUT POP-UP WASTE

Order no.	3.1162.1.004.220.1
Connection	3/8" flexible connection hoses
Spout length	160 mm
Flow rate	5.7 l/min (3 bar)
Acoustic class	I/-
Specification	basin single-lever mixer cold water lever position at 12 o'clock 35 mm Quattro-G cartridge with flow and temperature limitation swivel spout
Surface finish	chrome

TECHNICAL DRAWINGS



TECHNICAL DRAWINGS



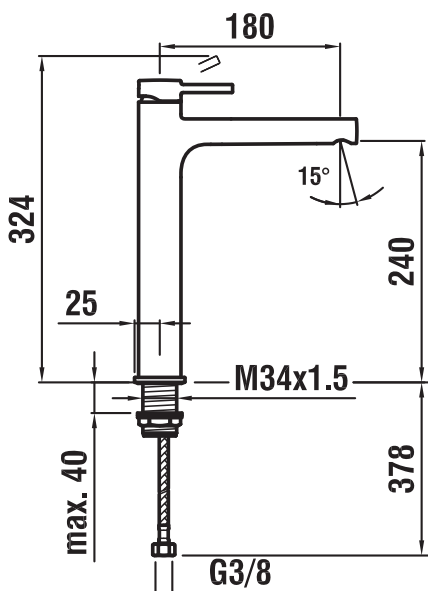
**Standing column single-lever mixer
without pop-up waste
3.1162.8.004.140.1**



TECHNICAL DATA

Order no.	3.1162.8.004.140.1	Specification	standing column single-lever mixer
Connection	3/8" flexible connection hoses		height under the areator: 240 mm
Spout length	180 mm		35 mm Quattro-G cartridge with flow and temperature limitation
Flow rate	5.7 l/min (3 bar)		fixed spout
Acoustic class	I/-	Surface finish	chrome

TECHNICAL DRAWINGS



TWINPLUS

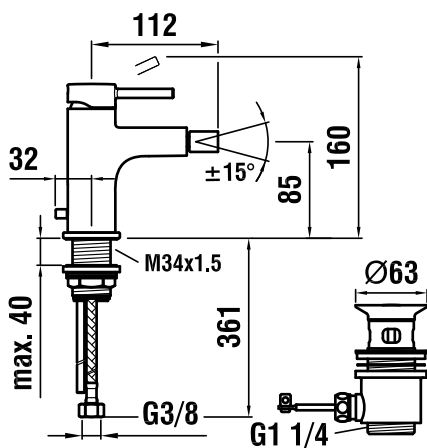
**Bidet single-lever mixer
with pop-up waste
3.4162.1.004.111.1**



TECHNICAL DATA

Order no.	3.4162.1.004.111.1	Specification	bidet single-lever mixer
Connection	3/8" flexible connection hoses		35 mm Quattro-G cartridge with flow and temperature limitation
Spout length	104 mm		fixed spout
Flow rate	5.7 l/min (3 bar)	Accessories incl.	pop-up waste 1 1/4"
Acoustic class	I/-	Surface finish	chrome

TECHNICAL DRAWINGS



TWINPLUS

Bath/shower single-lever mixer with accessories

3.2162.7.004.136.1

without accessories

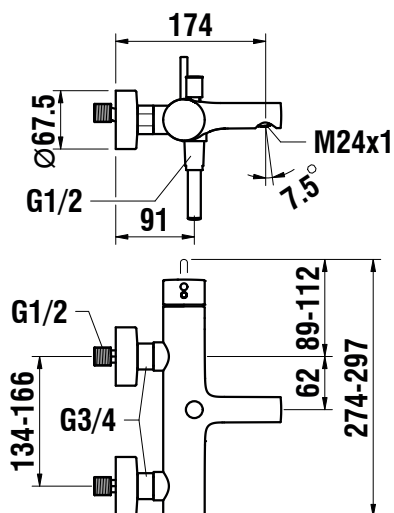
3.2162.7.004.400.1



TECHNICAL DATA

Order no.	3.2162.7.004.136.1 / with accessories 3.2162.7.004.400.1 / without accessories	Specification	bath/shower single-lever mixer 40 mm Ecototal cartridge with flow and temperature brake the mixer does not become hot fixed spout automatic diverter intrinsically safe against backflow
Gauge	134 - 166 mm	Accessories incl.	order no. 3.2162.7.004.136.1 – complete with synthetic flexible hose 1500 mm and handshower MyTwin100
Connection	1/2"	Mounting acc. incl.	wall connections
Hose connection	1/2"	Surface finish	chrome
Spout length	174 mm		
Flow rate	spout: 20.5 l/min (3 bar) shower: 9.9 l/min (3 bar)		
Acoustic class	spout: IC shower: IA		

TECHNICAL DRAWINGS



TWINPLUS

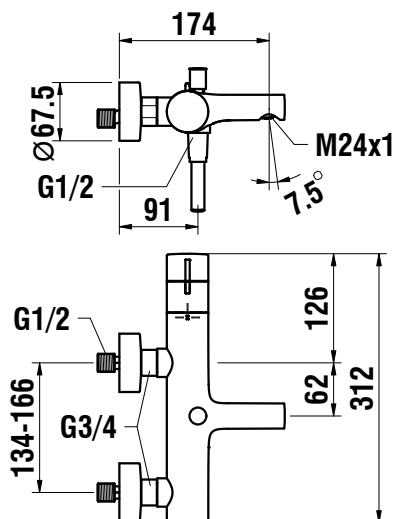
Thermostatic bath mixer with accessories 3.2362.7.004.136.1 without accessories 3.2362.7.004.400.1



TECHNICAL DATA

Order no.	3.2362.7.004.136.1 / with accessories 3.2362.7.004.400.1 / without accessories	Specification	thermostatic bath mixer temperature handle with safety button 38°C the mixer does not become hot fixed spout automatic diverter intrinsically safe against backflow
Gauge	134 - 166 mm	Accessories incl.	order no. 3.2362.7.004.136.1 – complete with synthetic flexible hose 1500 mm and handshower MyTwin100
Connection	1/2"	Mounting acc. incl.	wall connections
Hose connection	1/2" (DN15)	Surface finish	chrome
Spout length	174 mm		
Flow rate	spout: 20.1 l/min (3 bar) shower: 9.9 l/min (3 bar)		
Acoustic class	spout: ID shower: IA		

TECHNICAL DRAWINGS



ECHELLE 2:35

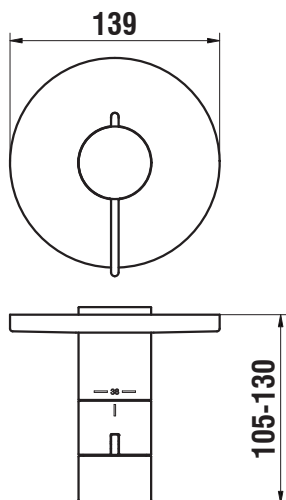
**Set for concealed thermostatic shower mixer Simibox
3.3362.6.004.500.1**



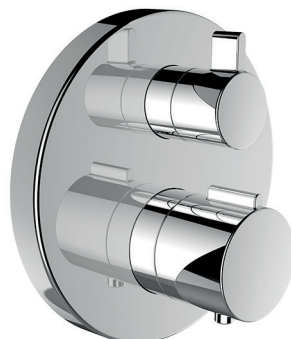
TECHNICAL DATA

Order no.	3.3362.6.004.500.1	Mounting acc. excl.	either Simibox Standard, concealed system for bath and shower mixer, order no. 3.7898.0.000.000.1 or Simibox Light, concealed system for bath and shower mixer:
Flow rate	Simibox Light: 19.2 l/min (3bar) Simibox Standard: 18.5 l/min (3bar)		with stop valve: order no. 3.7898.0.000.100.1 without stop valve: order no. 3.7898.0.000.101.1
Acoustic class	Simibox Light: ID Simibox Standard: ID		Simibox, mounting aid for concealed bath and shower mixer, order no. 3.7998.0.003.000.1 Simibox, flange set, order no. 3.7998.0.000.500.1 Simibox, extension set L = 25 mm – order no. 3.7998.0.000.050.1 L = 50 mm – order no. 3.7998.0.000.060.1
Specification	set for concealed thermostatic shower mixer Simibox thermostatic cartridge automatic diverter intrinsically safe against backflow	Surface finish	chrome

TECHNICAL DRAWINGS



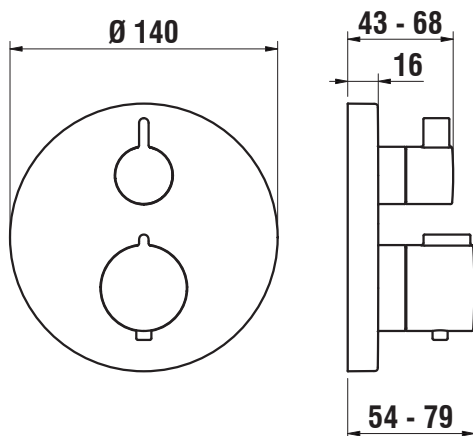
**Set for 2-handles concealed thermostatic bath/shower mixer Simibox with dimmer 2 ways
3.2362.6.004.200.1**



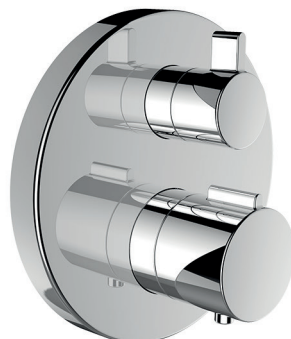
TECHNICAL DATA

Order no.	3.2362.6.004.200.1	Mounting acc. excl.	either Simibox Standard, concealed system for bath and shower mixer, order no. 3.7898.0.000.000.1 or Simibox Light, concealed system for bath and shower mixer:
Flow rate	Simibox Light: spout: 21.2 l/min (3bar) shower: 19.2 l/min (3bar) Simibox Standard: spout: 20.6 l/min (3bar) shower: 18.5 l/min (3bar)		with stop valve: order no. 3.7898.0.000.100.1 without stop valve: order no. 3.7898.0.000.101.1 Simibox, mounting aid for concealed bath and shower mixer, order no. 3.7998.0.003.000.1 Simibox, flange set, order no. 3.7998.0.000.500.1 Simibox, extension set L = 25 mm – order no. 3.7998.0.000.050.1 L = 50 mm – order no. 3.7998.0.000.060.1
Acoustic class	Simibox Light: spout: IDD shower: ID Simibox Standard: spout: IDD shower: ID	Surface finish	chrome
Specification	set for 2-handles concealed thermostatic bath/shower mixer Simibox, with dimmer 2 ways thermostatic cartridge automatic diverter intrinsically safe against backflow		

TECHNICAL DRAWINGS



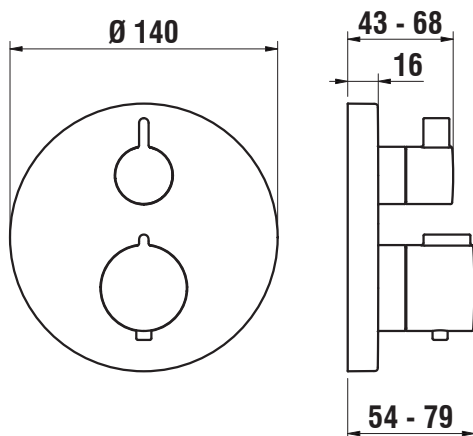
**Set for 2-handles concealed thermostatic bath/shower mixer Simibox with integrated vacuum breaker with dimmer 2 ways
3.2362.6.004.210.1**



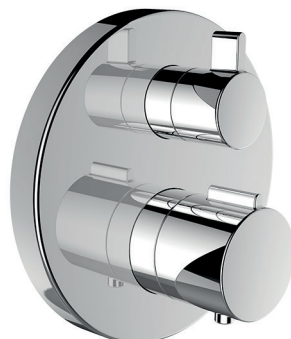
TECHNICAL DATA

Order no.	3.2362.6.004.210.1	Mounting acc. excl.	either Simibox Standard, concealed system for bath and shower mixer, order no. 3.7898.0.000.000.1 or Simibox Light, concealed system for bath and shower mixer:
Flow rate	Simibox Light: spout: 21.2 l/min (3bar) shower: 19.2 l/min (3bar) Simibox Standard: spout: 20.6 l/min (3bar) shower: 18.5 l/min (3bar)		with stop valve: order no. 3.7898.0.000.100.1 without stop valve: order no. 3.7898.0.000.101.1 Simibox, mounting aid for concealed bath and shower mixer, order no. 3.7998.0.003.000.1 Simibox, flange set, order no. 3.7998.0.000.500.1 Simibox, extension set L = 25 mm – order no. 3.7998.0.000.050.1 L = 50 mm – order no. 3.7998.0.000.060.1
Acoustic class	Simibox Light: spout: IDD shower: ID Simibox Standard: spout: IDD shower: ID	Surface finish	chrome
Specification	set for 2-handles concealed thermostatic bath/shower mixer Simibox with integrated vacuum breaker, with dimmer 2 ways thermostatic cartridge automatic diverter intrinsically safe against backflow		

TECHNICAL DRAWINGS



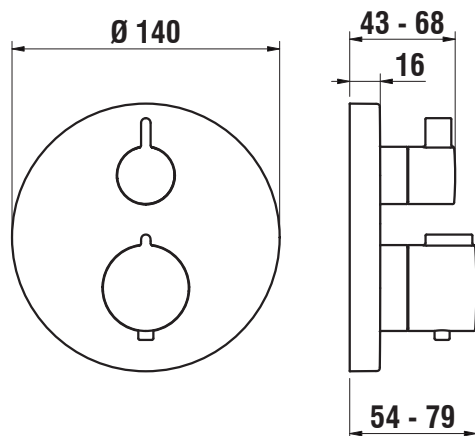
Set for 2-handles concealed thermostatic shower mixer Simibox with dimmer 1 way 3.3362.6.004.200.1



TECHNICAL DATA

Order no.	3.3362.6.004.200.1	Mounting acc. excl.	either Simibox Standard, concealed system for bath and shower mixer, order no. 3.7898.0.000.000.1 or Simibox Light, concealed system for bath and shower mixer:
Flow rate	Simibox Light: 19.2 l/min (3bar) Simibox Standard: 18.5 l/min (3bar)		with stop valve: order no. 3.7898.0.000.100.1 without stop valve: order no. 3.7898.0.000.101.1
Acoustic class	Simibox Light: ID Simibox Standard: ID		Simibox, mounting aid for concealed bath and shower mixer, order no. 3.7998.0.003.000.1 Simibox, flange set, order no. 3.7998.0.000.500.1 Simibox, extension set L = 25 mm – order no. 3.7998.0.000.050.1 L = 50 mm – order no. 3.7998.0.000.060.1
Specification	set for 2-handles concealed thermostatic shower mixer Simibox, with dimmer 1 way thermostatic cartridge automatic diverter intrinsically safe against backflow	Surface finish	chrome

TECHNICAL DRAWINGS



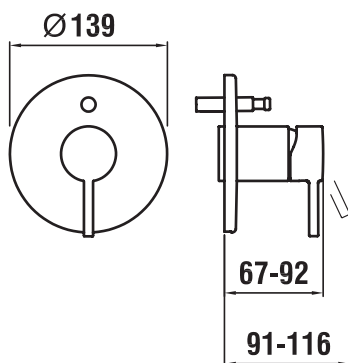
**Set for concealed bath/shower mixer Simibox
3.2162.6.004.000.1**



TECHNICAL DATA

Order no.	3.2162.6.004.000.1	Mounting acc. excl.	either Simibox Standard, concealed system for bath and shower mixer, order no. 3.7898.0.000.000.1 or Simibox Light, concealed system for bath and shower mixer:
Flow rate	Simibox Light: spout: 21.9 l/min (3 bar) shower: 19.2 l/min (3 bar) Simibox Standard: spout: 20.6 l/min (3 bar) shower: 18.1 l/min (3 bar)		with stop valve: order no. 3.7898.0.000.100.1 without stop valve: order no. 3.7898.0.000.101.1 Simibox, mounting aid for concealed bath and shower mixer, order no. 3.7998.0.003.000.1 Simibox, flange set, order no. 3.7998.0.000.500.1 Simibox, extension set L = 25 mm – order no. 3.7998.0.000.050.1 L = 50 mm – order no. 3.7998.0.000.060.1
Acoustic class	Simibox Light: spout: ID shower: IC Simibox Standard: spout: IC shower: IB	Surface finish	chrome
Specification	set for concealed bath/shower mixer Simibox 40 mm Ecototal cartridge with flow and temperature brake automatic diverter		

TECHNICAL DRAWINGS



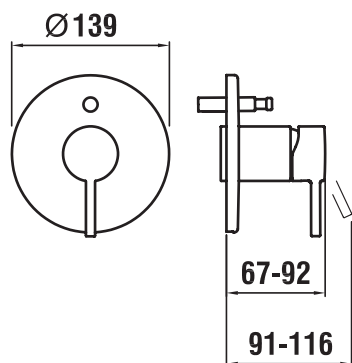
**Set for concealed bath/shower mixer Simibox
with integrated vacuum breaker
3.2162.6.004.010.1**



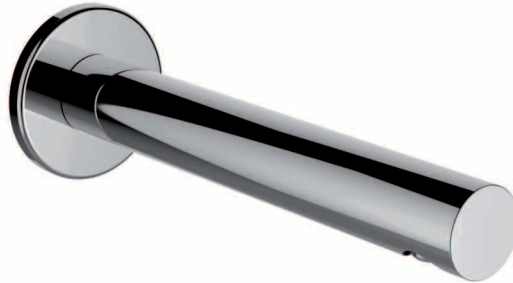
TECHNICAL DATA

Order no.	3.2162.6.004.010.1	Mounting acc. excl.	either Simibox Standard, concealed system for bath and shower mixer, order no. 3.7898.0.000.000.1 or Simibox Light, concealed system for bath and shower mixer:
Flow rate	Simibox Light: spout: 21.9 l/min (3 bar) shower: 19.2 l/min (3 bar) Simibox Standard: spout: 20.6 l/min (3 bar) shower: 18.1 l/min (3 bar)		with stop valve: order no. 3.7898.0.000.100.1 without stop valve: order no. 3.7898.0.000.101.1 Simibox, mounting aid for concealed bath and shower mixer, order no. 3.7998.0.003.000.1 Simibox, flange set, order no. 3.7998.0.000.500.1 Simibox, extension set L = 25 mm – order no. 3.7998.0.000.050.1 L = 50 mm – order no. 3.7998.0.000.060.1
Acoustic class	Simibox Light: spout: ID shower: IC Simibox Standard: spout: IC shower: IB	Surface finish	chrome
Specification	set for concealed bath/shower mixer Simibox with integrated vacuum breaker 40 mm Ecototal cartridge with flow and temperature brake automatic diverter		

TECHNICAL DRAWINGS



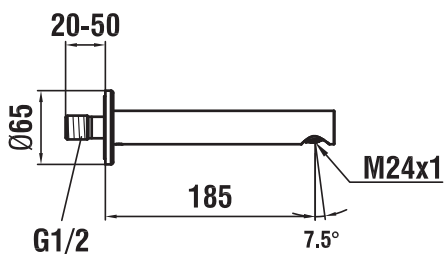
TWINPLUS
Wall spout
3.7162.0.004.060.1



TECHNICAL DATA

Order no.	3.7162.0.004.060.1	Specification	wall spout fixed spout
Connection	1/2"	Surface finish	chrome
Spout length	185 mm		

TECHNICAL DRAWINGS



TWINPLUS

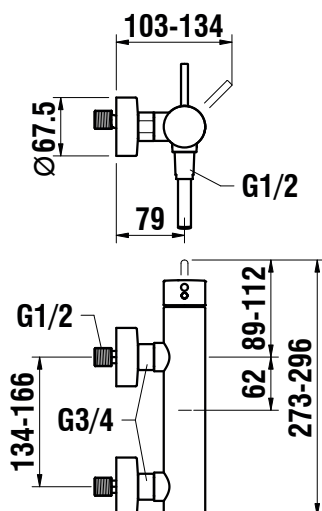
**Shower single-lever mixer
with accessories
3.3162.7.004.136.1
without accessories
3.3162.7.004.400.1**



TECHNICAL DATA

Order no.	3.3162.7.004.136.1 / with accessories 3.3162.7.004.400.1 / without accessories	Specification	shower single-lever mixer 40 mm Ecototal cartridge with flow and temperature brake the mixer does not become hot intrinsically safe against backflow
Gauge	134 - 166 mm	Accessories incl.	order no. 3.3162.7.004.136.1 – complete with synthetic flexible hose 1500 mm and handshower MyTwin100
Connection	1/2"	Mounting acc. incl.	wall connections
Hose connection	1/2"	Surface finish	chrome
Flow rate	9.9 l/min (3 bar)		
Acoustic class	IA		

TECHNICAL DRAWINGS



TWINPLUS

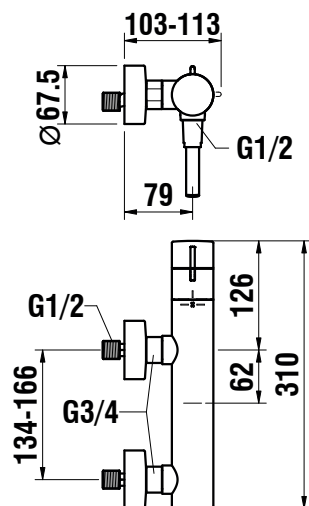
Thermostatic shower mixer with accessories 3.3362.7.004.136.1 without accessories 3.3362.7.004.400.1



TECHNICAL DATA

Order no.	3.3362.7.004.136.1 / with accessories 3.3362.7.004.400.1 / without accessories	Specification	thermostatic shower mixer temperature handle with safety button 38°C the mixer does not become hot intrinsically safe against backflow
Gauge	134 - 166 mm	Accessories incl.	order no. 3.3362.7.004.136.1 – complete with synthetic flexible hose 1500 mm and handshower MyTwin100
Connection	1/2"	Mounting acc. incl.	wall connections
Hose connection	1/2" (DN15)	Surface finish	chrome
Flow rate	9.9 l/min (3 bar)		
Acoustic class	IA		

TECHNICAL DRAWINGS



ECHELLE 2:35

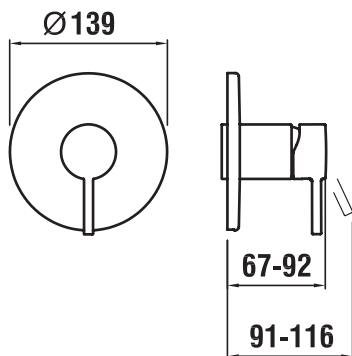
**Set for concealed shower mixer Simibox
3.3162.6.004.000.1**



TECHNICAL DATA

Order no.	3.3162.6.004.000.1	Mounting acc. excl.	either Simibox Standard, concealed system for bath and shower mixer, order no. 3.7898.0.000.000.1 or Simibox Light, concealed system for bath and shower mixer:
Flow rate	Simibox Light: 19.2 l/min (3 bar) Simibox Standard: 18.1 l/min (3 bar)		with stop valve: order no. 3.7898.0.000.100.1 without stop valve: order no. 3.7898.0.000.101.1
Acoustic class	Simibox Light: IC Simibox Standard: IA		Simibox, mounting aid for concealed bath and shower mixer, order no. 3.7998.0.003.000.1 Simibox, flange set, order no. 3.7998.0.000.500.1 Simibox, extension set L = 25 mm – order no. 3.7998.0.000.050.1 L = 50 mm – order no. 3.7998.0.000.060.1
Specification	set for concealed bath/shower mixer Simibox 40 mm Ecototal cartridge with flow and temperature brake automatic diverter	Surface finish	chrome

TECHNICAL DRAWINGS



TWINPLUS COMFORT

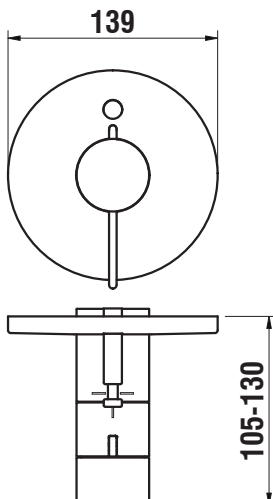
Set for concealed thermostatic bath/shower mixer Simibox 3.2362.6.004.500.1



TECHNICAL DATA

Order no.	3.2362.6.004.500.1	Mounting acc. excl.	either Simibox Standard, concealed system for bath and shower mixer, order no. 3.7898.0.000.000.1 or Simibox Light, concealed system for bath and shower mixer:
Flow rate	Simibox Light: spout: 21.2 l/min (3bar) shower: 19.2 l/min (3bar) Simibox Standard: spout: 20.6 l/min (3bar) shower: 18.5 l/min (3bar)		with stop valve: order no. 3.7898.0.000.100.1 without stop valve: order no. 3.7898.0.000.101.1 Simibox, mounting aid for concealed bath and shower mixer, order no. 3.7998.0.003.000.1 Simibox, flange set, order no. 3.7998.0.000.500.1 Simibox, extension set L = 25 mm – order no. 3.7998.0.000.050.1 L = 50 mm – order no. 3.7998.0.000.060.1
Acoustic class	Simibox Light: spout: IDD shower: ID Simibox Standard: spout: IDD shower: ID	Surface finish	chrome
Specification	set for concealed thermostatic bath/shower mixer Simibox thermostatic cartridge automatic diverter intrinsically safe against backflow		

TECHNICAL DRAWINGS



TWINPLUS COMFORT

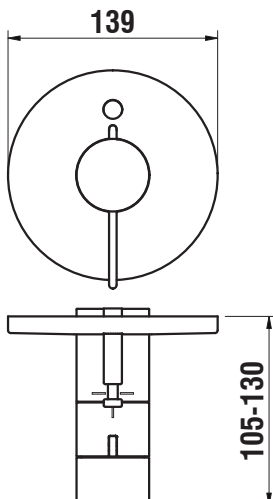
Set for concealed thermostatic bath/shower mixer Simibox with integrated vacuum breaker 3.2362.6.004.510.1



TECHNICAL DATA

Order no.	3.2362.6.004.510.1	Mounting acc. excl.	either Simibox Standard, concealed system for bath and shower mixer, order no. 3.7898.0.000.000.1 or Simibox Light, concealed system for bath and shower mixer:
Flow rate	Simibox Light: spout: 21.2 l/min (3bar) shower: 19.2 l/min (3bar) Simibox Standard: spout: 20.6 l/min (3bar) shower: 18.5 l/min (3bar)		with stop valve: order no. 3.7898.0.000.100.1 without stop valve: order no. 3.7898.0.000.101.1 Simibox, mounting aid for concealed bath and shower mixer, order no. 3.7998.0.003.000.1 Simibox, flange set, order no. 3.7998.0.000.500.1 Simibox, extension set L = 25 mm – order no. 3.7998.0.000.050.1 L = 50 mm – order no. 3.7998.0.000.060.1
Acoustic class	Simibox Light: spout: IDD shower: ID Simibox Standard: spout: IDD shower: ID	Surface finish	chrome
Specification	set for concealed thermostatic bath/shower mixer Simibox thermostatic cartridge automatic diverter intrinsically safe against backflow		

TECHNICAL DRAWINGS



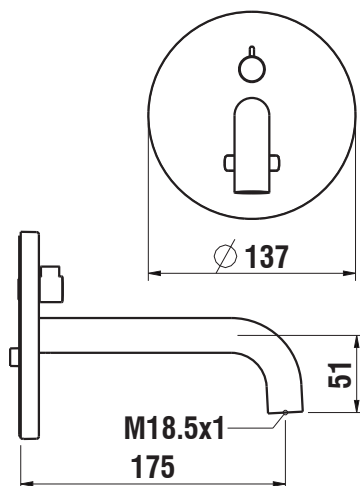
**Electronic basin faucet with mechanical mixer
with battery 6V
3.1664.7.404.322.1
with mains adapter 230V / 50Hz / 6V, DC
3.1664.7.404.321.1**



TECHNICAL DATA

Order no.	3.1664.7.404.321.1 / with battery 3.1664.7.404.322.1 / with mains adapter	Mounting acc. excl.	either Simibox Standard, concealed system for bath and shower mixer, order no. 3.7898.0.000.000.1 or Simibox Light, concealed system for bath and shower mixer: with stop valve: order no. 3.7898.0.000.100.1 without stop valve: order no. 3.7898.0.000.101.1
Spout length	175 mm		Simibox, mounting aid for concealed bath and shower mixer, order no. 3.7998.0.003.000.1
Flow rate	4.9 l/min (3 bar)		Simibox, flange set, order no. 3.7998.0.000.500.1
Acoustic class	I/-		Simibox, extension set L = 25 mm – order no. 3.7998.0.000.050.1 L = 50 mm – order no. 3.7998.0.000.060.1
Specification	all functions integrated in the faucet safe user detection with modulated infra-red signal trough automatic adjustment to the environment adjustable run-on time battery operated with readily-available long life lithium battery or flush-mounted mains operator ready for connection with hose and filter, water saving due to flow rate limitation easy to clean due to a minimalist shape adjustable interruption or cleaning mode for washbasin cleaning IP64		Complementary set to Simibox, order no. 3.7798.0.000.010.1 (mandatory for installation)
		Surface finish	chrome

TECHNICAL DRAWINGS



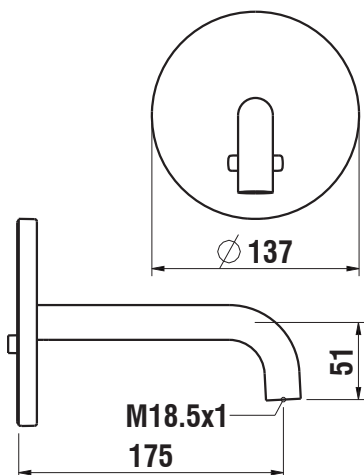
**Electronic basin faucet for cold or pre-mixed water
with battery 6V
3.1764.7.404.322.1
with mains adapter 230V / 50Hz / 6V, DC
3.1764.7.404.321.1**



TECHNICAL DATA

Order no.	3.1764.7.404.321.1 / with battery 3.1764.7.404.322.1 / with mains adapter	Mounting acc. excl.	either Simibox Standard, concealed system for bath and shower mixer, order no. 3.7898.0.000.000.1 or Simibox Light, concealed system for bath and shower mixer: with stop valve: order no. 3.7898.0.000.100.1 without stop valve: order no. 3.7898.0.000.101.1 Simibox, mounting aid for concealed bath and shower mixer, order no. 3.7998.0.003.000.1 Simibox, flange set, order no. 3.7998.0.000.500.1 Simibox, extension set L = 25 mm – order no. 3.7998.0.000.050.1 L = 50 mm – order no. 3.7998.0.000.060.1 Complementary set to Simibox, order no. 3.7798.0.000.010.1 (mandatory for installation)
Spout length	175 mm	Surface finish	chrome
Flow rate	4.9 l/min (3 bar)		
Acoustic class	I/-		
Specification	all functions integrated in the faucet safe user detection with modulated infra-red signal trough automatic adjustment to the environment adjustable run-on time battery operated with readily-available long life lithium battery or flush-mounted mains operator ready for connection with hose and filter, water saving due to flow rate limitation easy to clean due to a minimalist shape adjustable interruption or cleaning mode for washbasin cleaning IP64		

TECHNICAL DRAWINGS



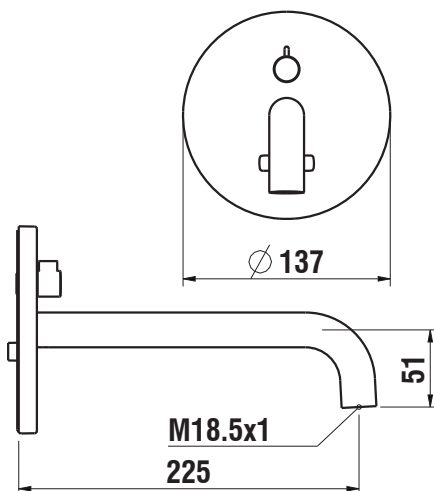
**Electronic basin faucet with mechanical mixer
with battery 6V
3.1664.7.404.332.1
with mains adapter 230V / 50Hz / 6V, DC
3.1664.7.404.331.1**



TECHNICAL DATA

Order no.	3.1664.7.404.331.1 / with battery 3.1664.7.404.332.1 / with mains adapter	Mounting acc. excl.	either Simibox Standard, concealed system for bath and shower mixer, order no. 3.7898.0.000.000.1 or Simibox Light, concealed system for bath and shower mixer: with stop valve: order no. 3.7898.0.000.100.1 without stop valve: order no. 3.7898.0.000.101.1 Simibox, mounting aid for concealed bath and shower mixer, order no. 3.7998.0.003.000.1 Simibox, flange set, order no. 3.7998.0.000.500.1 Simibox, extension set L = 25 mm – order no. 3.7998.0.000.050.1 L = 50 mm – order no. 3.7998.0.000.060.1 Complementary set to Simibox, order no. 3.7798.0.000.010.1 (mandatory for installation)
Spout length	225 mm	Surface finish	chrome
Flow rate	4.9 l/min (3 bar)		
Acoustic class	I/-		
Specification	all functions integrated in the faucet safe user detection with modulated infra-red signal trough automatic adjustment to the environment adjustable run-on time battery operated with readily-available long life lithium battery or flush-mounted mains operator ready for connection with hose and filter, water saving due to flow rate limitation easy to clean due to a minimalist shape adjustable interruption or cleaning mode for washbasin cleaning IP64		

TECHNICAL DRAWINGS



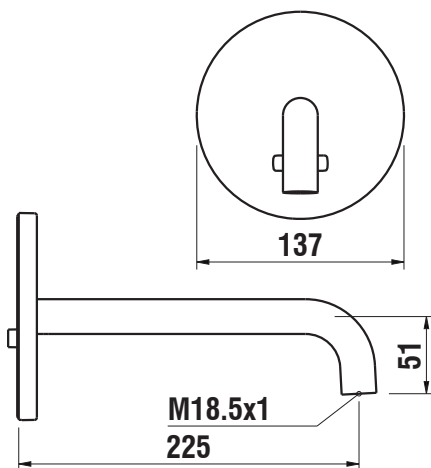
**Electronic basin faucet for cold or pre-mixed water
with battery 6V
3.1764.7.404.332.1
with mains adapter 230V / 50Hz / 6V, DC
3.1764.7.404.331.1**



TECHNICAL DATA

Order no.	3.1764.7.404.331.1 / with battery 3.1764.7.404.332.1 / with mains adapter	Mounting acc. excl.	either Simibox Standard, concealed system for bath and shower mixer, order no. 3.7898.0.000.000.1 or Simibox Light, concealed system for bath and shower mixer: with stop valve: order no. 3.7898.0.000.100.1 without stop valve: order no. 3.7898.0.000.101.1 Simibox, mounting aid for concealed bath and shower mixer, order no. 3.7998.0.003.000.1 Simibox, flange set, order no. 3.7998.0.000.500.1 Simibox, extension set L = 25 mm – order no. 3.7998.0.000.050.1 L = 50 mm – order no. 3.7998.0.000.060.1 Complementary set to Simibox, order no. 3.7798.0.000.010.1 (mandatory for installation)
Spout length	225 mm	Surface finish	chrome
Flow rate	4.9 l/min (3 bar)		
Acoustic class	I/-		
Specification	all functions integrated in the faucet safe user detection with modulated infra-red signal trough automatic adjustment to the environment adjustable run-on time battery operated with readily-available long life lithium battery or flush-mounted mains operator ready for connection with hose and filter, water saving due to flow rate limitation easy to clean due to a minimalist shape adjustable interruption or cleaning mode for washbasin cleaning IP64		

TECHNICAL DRAWINGS



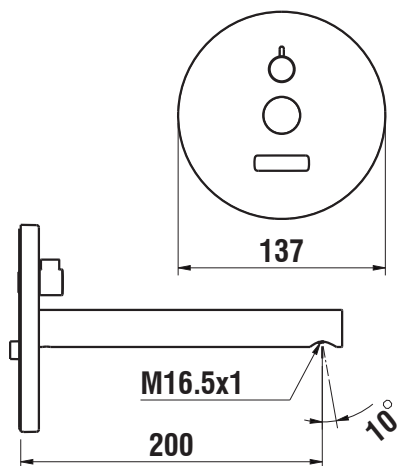
**Electronic basin faucet with mechanical mixer
with battery 6V
3.1664.7.404.342.1
with mains adapter 230V / 50Hz / 6V, DC
3.1664.7.404.341.1**



TECHNICAL DATA

Order no.	3.1664.7.404.341.1 / with battery 3.1664.7.404.342.1 / with mains adapter	Mounting acc. excl.	either Simibox Standard, concealed system for bath and shower mixer, order no. 3.7898.0.000.000.1 or Simibox Light, concealed system for bath and shower mixer: with stop valve: order no. 3.7898.0.000.100.1 without stop valve: order no. 3.7898.0.000.101.1
Spout length	200 mm		Simibox, mounting aid for concealed bath and shower mixer, order no. 3.7998.0.003.000.1
Flow rate	4.9 l/min (3 bar)		Simibox, flange set, order no. 3.7998.0.000.500.1
Acoustic class	I/-		Simibox, extension set L = 25 mm – order no. 3.7998.0.000.050.1 L = 50 mm – order no. 3.7998.0.000.060.1
Specification	all functions integrated in the faucet safe user detection with modulated infra-red signal trough automatic adjustment to the environment adjustable run-on time battery operated with readily-available long life lithium battery or flush-mounted mains operator ready for connection with hose and filter, water saving due to flow rate limitation easy to clean due to a minimalist shape adjustable interruption or cleaning mode for washbasin cleaning IP64	Surface finish	chrome Complementary set to Simibox, order no. 3.7798.0.000.010.1 (mandatory for installation)

TECHNICAL DRAWINGS



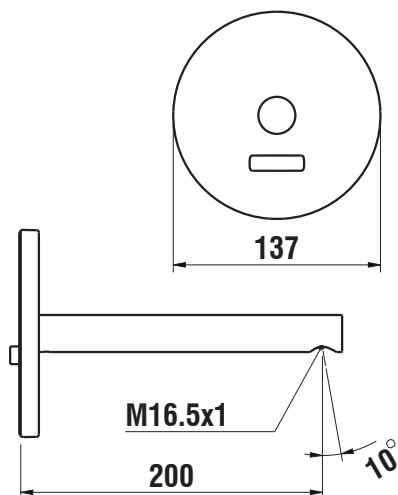
**Electronic basin faucet for cold or pre-mixed water
with battery 6V
3.1764.7.404.342.1
with mains adapter 230V / 50Hz / 6V, DC
3.1764.7.404.341.1**



TECHNICAL DATA

Order no.	3.1764.7.404.341.1 / with battery 3.1764.7.404.342.1 / with mains adapter	Mounting acc. excl.	either Simibox Standard, concealed system for bath and shower mixer, order no. 3.7898.0.000.000.1 or Simibox Light, concealed system for bath and shower mixer: with stop valve: order no. 3.7898.0.000.100.1 without stop valve: order no. 3.7898.0.000.101.1 Simibox, mounting aid for concealed bath and shower mixer, order no. 3.7998.0.003.000.1 Simibox, flange set, order no. 3.7998.0.000.500.1 Simibox, extension set L = 25 mm – order no. 3.7998.0.000.050.1 L = 50 mm – order no. 3.7998.0.000.060.1 Complementary set to Simibox, order no. 3.7798.0.000.010.1 (mandatory for installation)
Spout length	200 mm	Surface finish	chrome
Flow rate	4.9 l/min (3 bar)		
Acoustic class	I/-		
Specification	all functions integrated in the faucet safe user detection with modulated infra-red signal trough automatic adjustment to the environment adjustable run-on time battery operated with readily-available long life lithium battery or flush-mounted mains operator ready for connection with hose and filter, water saving due to flow rate limitation easy to clean due to a minimalist shape adjustable interruption or cleaning mode for washbasin cleaning IP64		

TECHNICAL DRAWINGS



**Basin single-lever mixer
with pop-up waste
3.1175.1.004.111.1
without pop-up waste
3.1175.1.004.110.1**



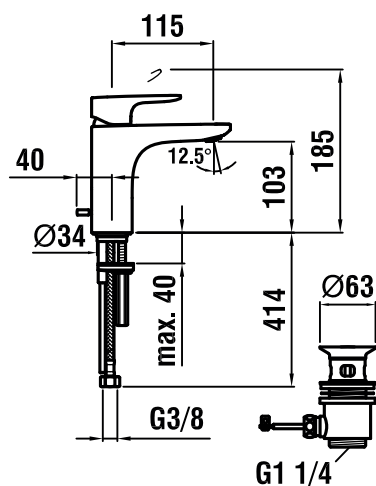
TECHNICAL DATA / WITH POP-UP WASTE

Order no.	3.1175.1.004.111.1
Connection	3/8" flexible connection hoses
Spout length	115 mm
Flow rate	5.7 l/min (3 bar)
Acoustic class	I/-
Specification	basin single-lever mixer 35 mm Quattro-G cartridge with flow and temperature limitation fixed spout
Accessories incl.	pop-up waste 1¼"
Surface finish	chrome

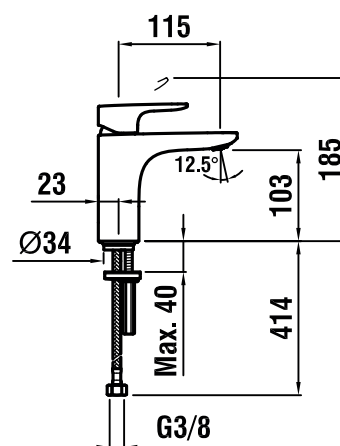
TECHNICAL DATA / WITHOUT POP-UP WASTE

Order no.	3.1175.1.004.110.1
Connection	3/8" flexible connection hoses
Spout length	115 mm
Flow rate	5.7 l/min (3 bar)
Acoustic class	I/-
Specification	basin single-lever mixer 35 mm Quattro-G cartridge with flow and temperature limitation fixed spout
Surface finish	chrome

TECHNICAL DRAWINGS



TECHNICAL DRAWINGS



**Basin single-lever mixer
with pop-up waste
3.1175.1.004.121.1
without pop-up waste
3.1175.1.004.120.1**



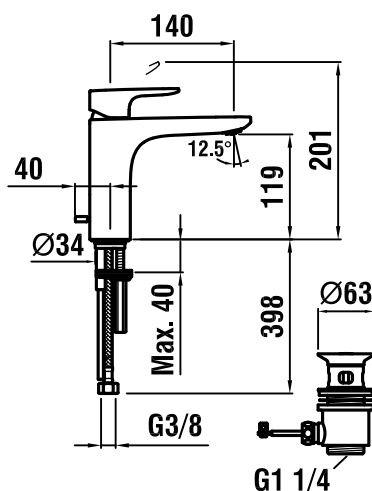
TECHNICAL DATA / WITH POP-UP WASTE

Order no.	3.1175.1.004.121.1
Connection	3/8" flexible connection hoses
Spout length	140 mm
Flow rate	5.7 l/min (3 bar)
Acoustic class	I/-
Specification	basin single-lever mixer 35 mm Quattro-G cartridge with flow and temperature limitation fixed spout
Accessories incl.	pop-up waste 1¼"
Surface finish	chrome

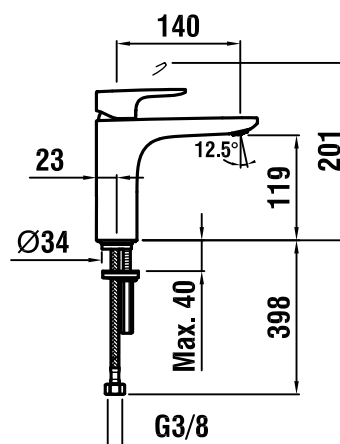
TECHNICAL DATA / WITHOUT POP-UP WASTE

Order no.	3.1175.1.004.120.1
Connection	3/8" flexible connection hoses
Spout length	140 mm
Flow rate	5.7 l/min (3 bar)
Acoustic class	I/-
Specification	basin single-lever mixer 35 mm Quattro-G cartridge with flow and temperature limitation fixed spout
Surface finish	chrome

TECHNICAL DRAWINGS



TECHNICAL DRAWINGS

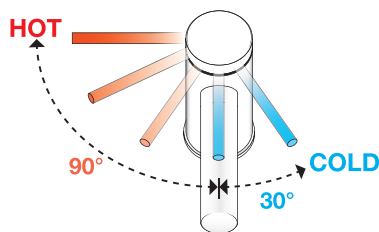


**Basin single-lever mixer
with pop-up waste
3.1175.1.704.121.1
without pop-up waste
3.1175.1.704.120.1**

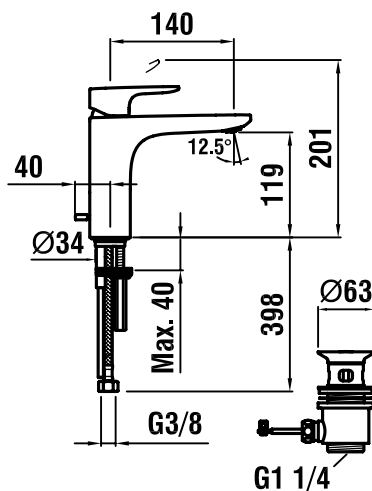


TECHNICAL DATA / WITH POP-UP WASTE	
Order no.	3.1175.1.704.121.1
Connection	3/8" flexible connection hoses
Spout length	140 mm
Flow rate	5.7 l/min (3 bar)
Acoustic class	I/-
Specification	basin single-lever mixer Eco+ function, cold water position in the middle 35 mm cartridge fixed spout
Accessories incl.	pop-up waste 1 1/4"
Surface finish	chrome

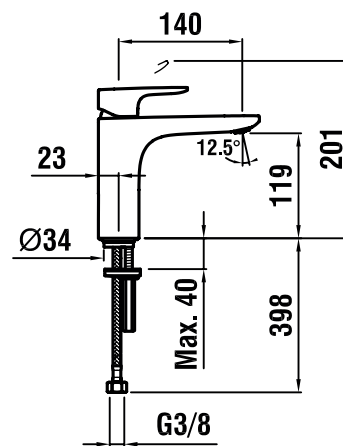
TECHNICAL DATA / WITHOUT POP-UP WASTE	
Order no.	3.1175.1.704.120.1
Connection	3/8" flexible connection hoses
Spout length	140 mm
Flow rate	5.7 l/min (3 bar)
Acoustic class	I/-
Specification	basin single-lever mixer Eco+ function, cold water position in the middle 35 mm cartridge fixed spout
Surface finish	chrome



TECHNICAL DRAWINGS



TECHNICAL DRAWINGS



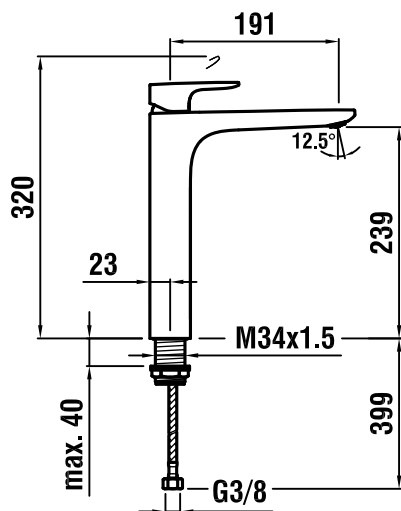
**Standing column single-lever mixer
without pop-up waste
3.1175.8.004.130.1**



TECHNICAL DATA

Order no.	3.1175.8.004.130.1	Specification	standing column single-lever mixer
Connection	3/8" flexible connection hoses		35 mm Quattro-G cartridge with flow and temperature limitation
Spout length	191 mm		fixed spout
Flow rate	5.7 l/min (3 bar)	Surface finish	chrome
Acoustic class	I/-		

TECHNICAL DRAWINGS



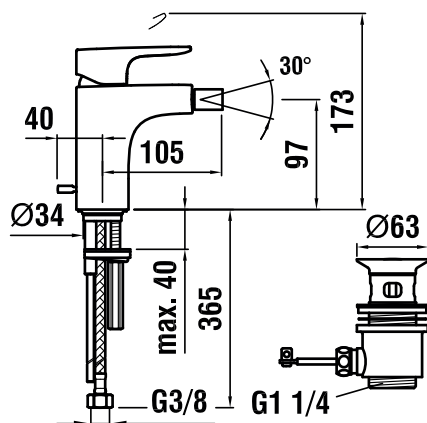
**Bidet single-lever mixer
with pop-up waste
3.4175.1.004.111.1**



TECHNICAL DATA

Order no.	3.4162.1.004.111.1	Specification	bidet single-lever mixer
Connection	3/8" flexible connection hoses		35 mm Quattro-G cartridge with flow and temperature limitation
Spout length	105 mm		fixed spout
Flow rate	5.7 l/min (3 bar)	Accessories incl.	pop-up waste 1¼"
Acoustic class	I/-	Surface finish	chrome

TECHNICAL DRAWINGS



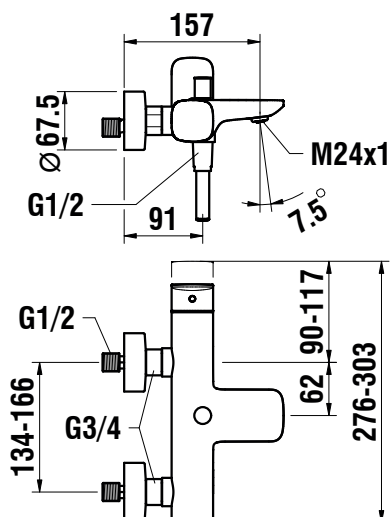
**Bath/shower single-lever mixer
with accessories
3.2175.7.004.136.1
without accessories
3.2175.7.004.400.1**



TECHNICAL DATA

Order no.	3.2175.7.004.136.1 / with accessories 3.2175.7.004.400.1 / without accessories	Specification	bath/shower single-lever mixer 40 mm Ecototal cartridge with flow and temperature brake the mixer does not become hot fixed spout automatic diverter intrinsically safe against backflow
Gauge	134 - 166 mm	Accessories incl.	order no. 3.2175.7.004.136.1 – complete with synthetic flexible hose 1500 mm and handshower MyCity100
Connection	1/2"	Mounting acc. incl.	wall connections
Hose connection	1/2"	Surface finish	chrome
Spout length	157 mm		
Flow rate	spout: 20.5 l/min (3 bar) shower: 9.9 l/min (3 bar)		
Acoustic class	spout: IC shower: IA		

TECHNICAL DRAWINGS



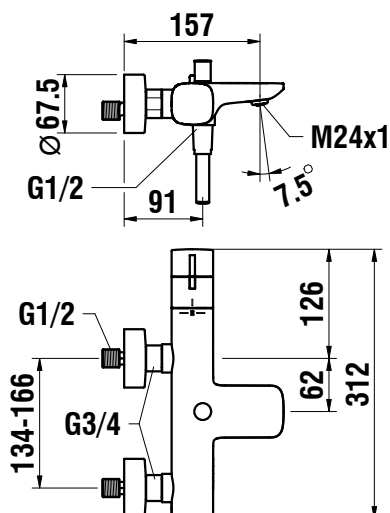
**Thermostatic bath mixer
with accessories
3.2375.7.004.136.1
without accessories
3.2375.7.004.400.1**



TECHNICAL DATA

Order no.	3.2375.7.004.136.1 / with accessories 3.2375.7.004.400.1 / without accessories	Specification	thermostatic bath mixer temperature handle with safety button 38°C the mixer does not become hot fixed spout automatic diverter intrinsically safe against backflow
Gauge	134 - 166 mm	Accessories incl.	order no. 3.2375.7.004.136.1 – complete with synthetic flexible hose 1500 mm and handshower MyCity100
Connection	1/2"	Mounting acc. incl.	wall connections
Hose connection	1/2" (DN15)	Surface finish	chrome
Spout length	157 mm		
Flow rate	spout: 20.1 l/min (3 bar) shower: 9.9 l/min (3 bar)		
Acoustic class	spout: ID shower: IA		

TECHNICAL DRAWINGS



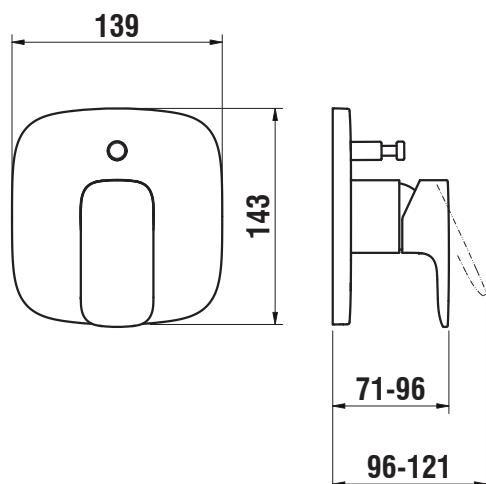
**Set for concealed bath/shower mixer Simibox
3.2175.6.004.000.1**



TECHNICAL DATA

Order no.	3.2175.6.004.000.1	Mounting acc. excl.	either Simibox Standard, concealed system for bath and shower mixer, order no. 3.7898.0.000.000.1 or Simibox Light, concealed system for bath and shower mixer:
Flow rate	Simibox Light: spout: 21.9 l/min (3 bar) shower: 19.2 l/min (3 bar) Simibox Standard: spout: 20.6 l/min (3 bar) shower: 18.1 l/min (3 bar)		with stop valve: order no. 3.7898.0.000.100.1 without stop valve: order no. 3.7898.0.000.101.1 Simibox, mounting aid for concealed bath and shower mixer, order no. 3.7998.0.003.000.1 Simibox, flange set, order no. 3.7998.0.000.500.1 Simibox, extension set L = 25 mm – order no. 3.7998.0.000.050.1 L = 50 mm – order no. 3.7998.0.000.060.1
Acoustic class	Simibox Light: spout: ID shower: IC Simibox Standard: spout: IC shower: IB	Surface finish	chrome
Specification	set for concealed bath/shower mixer Simibox 40 mm Ecototal cartridge with flow and temperature brake automatic diverter		

TECHNICAL DRAWINGS



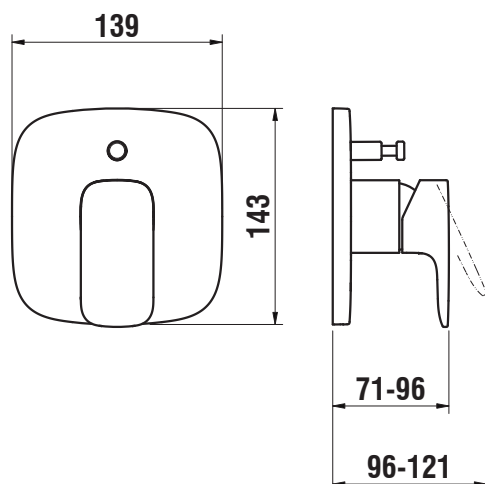
**Set for concealed bath/shower mixer Simibox
with integrated vacuum breaker
3.2175.6.004.010.1**



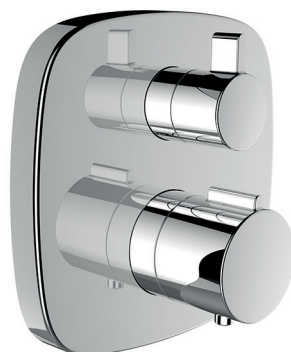
TECHNICAL DATA

Order no.	3.2175.6.004.010.1	Mounting acc. excl.	either Simibox Standard, concealed system for bath and shower mixer, order no. 3.7898.0.000.000.1 or Simibox Light, concealed system for bath and shower mixer:
Flow rate	Simibox Light: spout: 21.9 l/min (3 bar) shower: 19.2 l/min (3 bar) Simibox Standard: spout: 20.6 l/min (3 bar) shower: 18.1 l/min (3 bar)		with stop valve: order no. 3.7898.0.000.100.1 without stop valve: order no. 3.7898.0.000.101.1
Acoustic class	Simibox Light: spout: ID shower: IC Simibox Standard: spout: IC shower: IB		Simibox, mounting aid for concealed bath and shower mixer, order no. 3.7998.0.003.000.1 Simibox, flange set, order no. 3.7998.0.000.500.1 Simibox, extension set L = 25 mm – order no. 3.7998.0.000.050.1 L = 50 mm – order no. 3.7998.0.000.060.1
Specification	set for concealed bath/shower mixer Simibox with integrated vacuum breaker 40 mm Ecototal cartridge with flow and temperature brake automatic diverter	Surface finish	chrome

TECHNICAL DRAWINGS



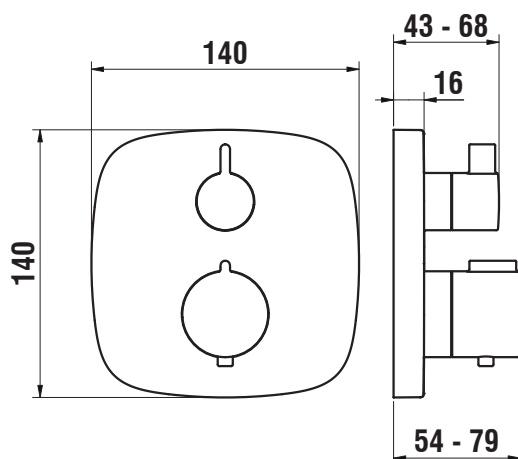
**Set for 2-handles concealed thermostatic shower mixer Simibox with dimmer 1 way
3.3375.6.004.200.1**



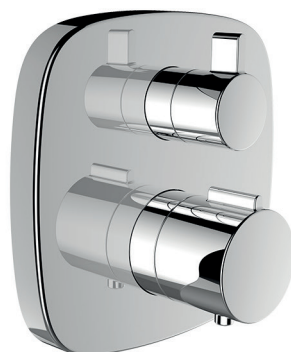
TECHNICAL DATA

Order no.	3.3375.6.004.200.1	Mounting acc. excl.	either Simibox Standard, concealed system for bath and shower mixer, order no. 3.7898.0.000.000.1 or Simibox Light, concealed system for bath and shower mixer:
Flow rate	Simibox Light: 19.2 l/min (3bar) Simibox Standard: 18.5 l/min (3bar)		with stop valve: order no. 3.7898.0.000.100.1 without stop valve: order no. 3.7898.0.000.101.1
Acoustic class	Simibox Light: ID Simibox Standard: ID		Simibox, mounting aid for concealed bath and shower mixer, order no. 3.7998.0.003.000.1 Simibox, flange set, order no. 3.7998.0.000.500.1 Simibox, extension set L = 25 mm – order no. 3.7998.0.000.050.1 L = 50 mm – order no. 3.7998.0.000.060.1
Specification	set for 2-handles concealed thermostatic shower mixer Simibox, with dimmer 1 way thermostatic cartridge automatic diverter intrinsically safe against backflow	Surface finish	chrome

TECHNICAL DRAWINGS



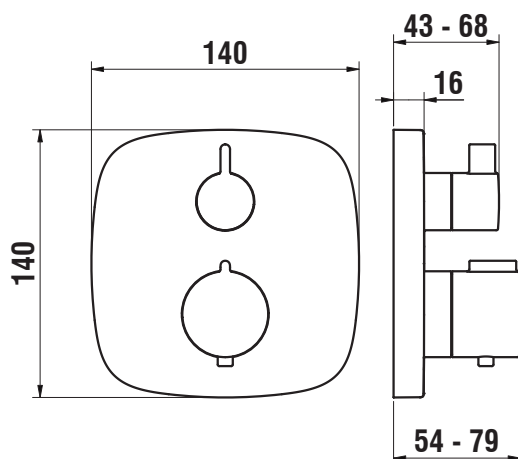
**Set for 2-handles concealed thermostatic bath/shower mixer Simibox with dimmer 2 ways
3.2375.6.004.200.1**



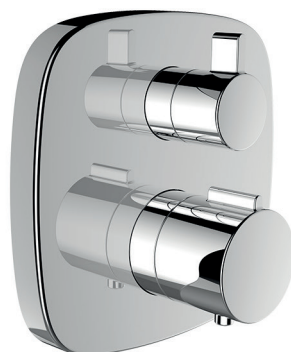
TECHNICAL DATA

Order no.	3.2375.6.004.200.1	Mounting acc. excl.	either Simibox Standard, concealed system for bath and shower mixer, order no. 3.7898.0.000.000.1 or Simibox Light, concealed system for bath and shower mixer:
Flow rate	Simibox Light: spout: 21.2 l/min (3bar) shower: 19.2 l/min (3bar) Simibox Standard: spout: 20.6 l/min (3bar) shower: 18.5 l/min (3bar)		with stop valve: order no. 3.7898.0.000.100.1 without stop valve: order no. 3.7898.0.000.101.1 Simibox, mounting aid for concealed bath and shower mixer, order no. 3.7998.0.003.000.1 Simibox, flange set, order no. 3.7998.0.000.500.1 Simibox, extension set L = 25 mm – order no. 3.7998.0.000.050.1 L = 50 mm – order no. 3.7998.0.000.060.1
Acoustic class	Simibox Light: spout: IDD shower: ID Simibox Standard: spout: IDD shower: ID	Surface finish	chrome
Specification	set for 2-handles concealed thermostatic bath/shower mixer Simibox, with dimmer 2 ways thermostatic cartridge automatic diverter intrinsically safe against backflow		

TECHNICAL DRAWINGS



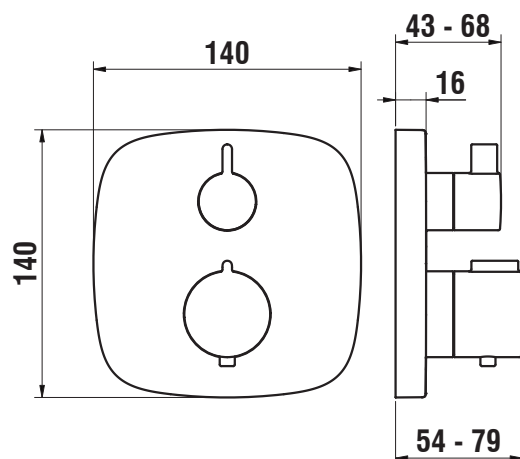
**Set for 2-handles concealed thermostatic bath/shower mixer Simibox with integrated vacuum breaker with dimmer 2 ways
3.2375.6.004.210.1**



TECHNICAL DATA

Order no.	3.2375.6.004.210.1	Mounting acc. excl.	either Simibox Standard, concealed system for bath and shower mixer, order no. 3.7898.0.000.000.1 or Simibox Light, concealed system for bath and shower mixer:
Flow rate	Simibox Light: spout: 21.2 l/min (3bar) shower: 19.2 l/min (3bar) Simibox Standard: spout: 20.6 l/min (3bar) shower: 18.5 l/min (3bar)		with stop valve: order no. 3.7898.0.000.100.1 without stop valve: order no. 3.7898.0.000.101.1 Simibox, mounting aid for concealed bath and shower mixer, order no. 3.7998.0.003.000.1 Simibox, flange set, order no. 3.7998.0.000.500.1 Simibox, extension set L = 25 mm – order no. 3.7998.0.000.050.1 L = 50 mm – order no. 3.7998.0.000.060.1
Acoustic class	Simibox Light: spout: IDD shower: ID Simibox Standard: spout: IDD shower: ID	Surface finish	chrome
Specification	set for 2-handles concealed thermostatic bath/shower mixer Simibox with integrated vacuum breaker, with dimmer 2 ways thermostatic cartridge automatic diverter intrinsically safe against backflow		

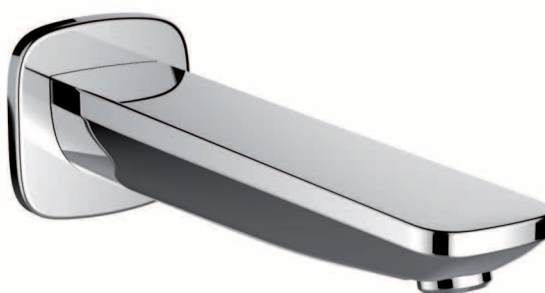
TECHNICAL DRAWINGS



CITYPLUS

Wall spout

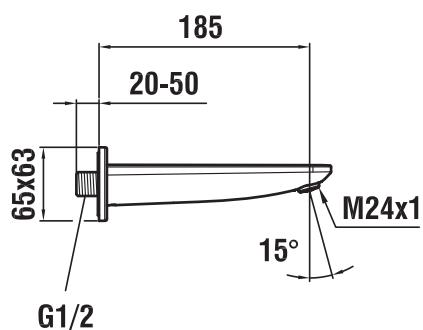
3.7175.0.004.060.1



TECHNICAL DATA

Order no.	3.7175.0.004.060.1	Specification	wall spout fixed spout
Connection	1/2"	Surface finish	chrome
Spout length	185 mm		

TECHNICAL DRAWINGS



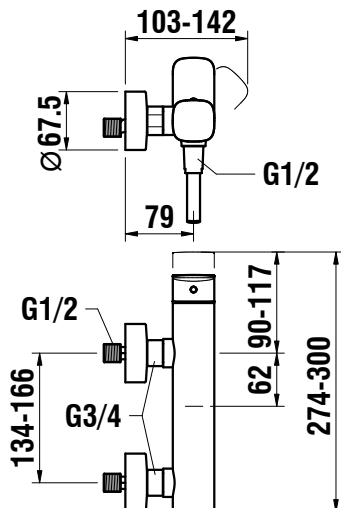
**Shower single-lever mixer
with accessories
3.3175.7.004.136.1
without accessories
3.3175.7.004.400.1**



TECHNICAL DATA

Order no.	3.3175.7.004.136.1 / with accessories 3.3175.7.004.400.1 / without accessories	Specification	shower single-lever mixer 40 mm Ecototal cartridge with flow and temperature brake the mixer does not become hot intrinsically safe against backflow
Gauge	134 - 166 mm	Accessories incl.	order no. 3.3175.7.004.136.1 – complete with synthetic flexible hose 1500 mm and handshower MyCity100
Connection	1/2"	Mounting acc. incl.	wall connections
Hose connection	1/2"	Surface finish	chrome
Flow rate	9.9 l/min (3 bar)		
Acoustic class	IA		

TECHNICAL DRAWINGS



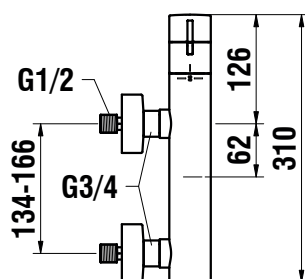
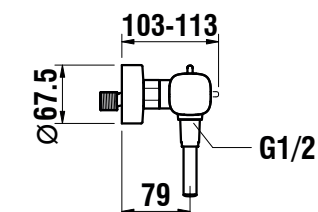
Thermostatic shower mixer with accessories 3.3375.7.004.136.1 without accessories 3.3375.7.004.400.1



TECHNICAL DATA

Order no.	3.3375.7.004.136.1 / with accessories 3.3375.7.004.400.1 / without accessories	Specification	thermostatic shower mixer temperature handle with safety button 38°C the mixer does not become hot intrinsically safe against backflow
Gauge	134 - 166 mm	Accessories incl.	order no. 3.3375.7.004.136.1 – complete with synthetic flexible hose 1500 mm and handshower MyCity100
Connection	1/2"	Mounting acc. incl.	wall connections
Hose connection	1/2" (DN15)	Surface finish	chrome
Flow rate	9.9 l/min (3 bar)		
Acoustic class	IA		

TECHNICAL DRAWINGS



ECHELLE 2:35

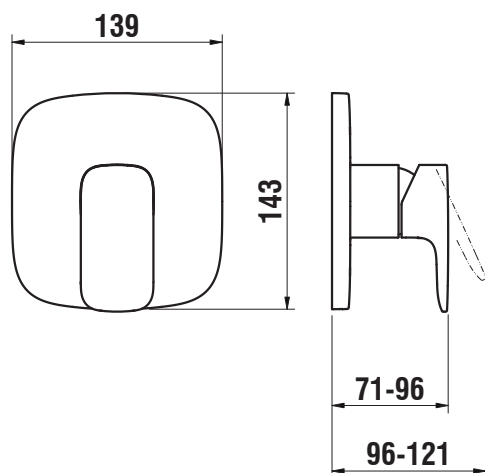
**Set for concealed shower mixer Simibox
3.3175.6.004.000.1**



TECHNICAL DATA

Order no.	3.3175.6.004.000.1	Mounting acc. excl.	either Simibox Standard, concealed system for bath and shower mixer, order no. 3.7898.0.000.000.1 or Simibox Light, concealed system for bath and shower mixer:
Flow rate	Simibox Light: 19.2 l/min (3 bar) Simibox Standard: 18.1 l/min (3 bar)		with stop valve: order no. 3.7898.0.000.100.1 without stop valve: order no. 3.7898.0.000.101.1
Acoustic class	Simibox Light: IC Simibox Standard: IA		Simibox, mounting aid for concealed bath and shower mixer, order no. 3.7998.0.003.000.1 Simibox, flange set, order no. 3.7998.0.000.500.1 Simibox, extension set L = 25 mm – order no. 3.7998.0.000.050.1 L = 50 mm – order no. 3.7998.0.000.060.1
Specification	set for concealed bath/shower mixer Simibox 40 mm Ecototal cartridge with flow and temperature brake automatic diverter	Surface finish	chrome

TECHNICAL DRAWINGS



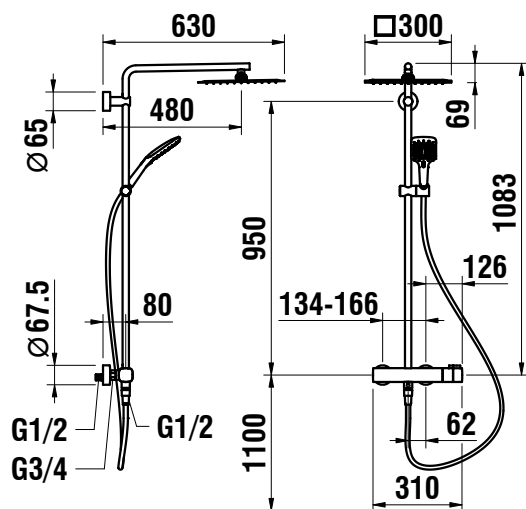
**Thermostatic showerstation
with accessories
3.3375.7.004.536.1
without accessories
3.3375.7.004.500.1**



TECHNICAL DATA

Order no.	3.3375.7.004.536.1 / with accessories 3.3375.7.004.500.1 / without accessories	Specification	thermostatic showerstation temperature handle with safety button 38°C the mixer does not become hot intrinsically safe against backflow
Gauge	134 - 166 mm	Accessories incl.	order no. 3.3375.7.004.536.1 – complete with suarish slim rain shower head 300 x 300 mm, flexible hose 1500 mm and handshower MyCity120
Connection	1/2"	Mounting acc. incl.	wall connections
Hose connection	1/2" (DN15)	Surface finish	chrome
Flow rate	showerhead: 11 l/min (3 bar) handshower: 10 l/min (3 bar)		
Acoustic class	showerhead: handshower:		

TECHNICAL DRAWINGS



ECHEILE 2-105

**Basin single-lever mixer
with pop-up waste
3.1195.1.004.111.1
without pop-up waste
3.1195.1.004.110.1**



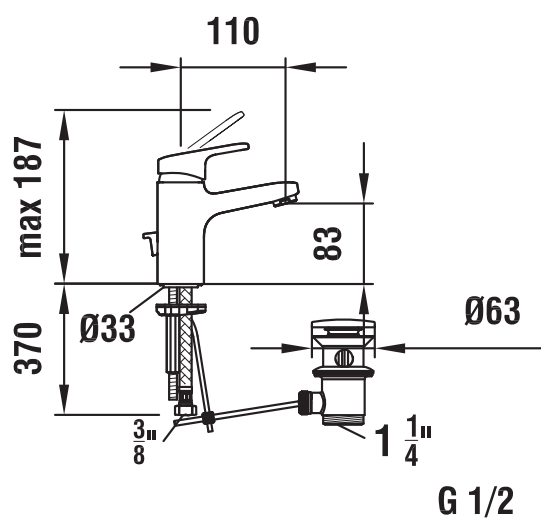
TECHNICAL DATA / WITH POP-UP WASTE

Order no.	3.1195.1.004.111.1
Connection	3/8" flexible connection hoses
Spout length	110 mm
Flow rate	6.4 l/min (3 bar)
Acoustic class	I/-
Specification	basin single-lever mixer 40 mm Ecotal cartridge with flow and temperature brake fixed spout
Accessories incl.	pop-up waste 1 1/4"
Surface finish	chrome

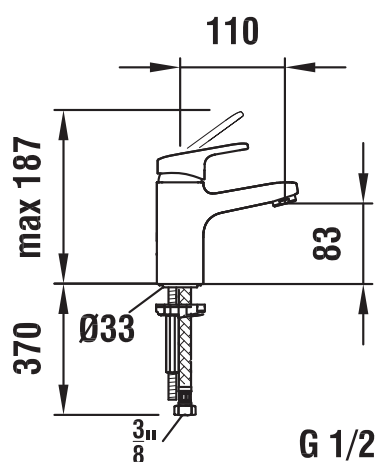
TECHNICAL DATA / WITHOUT POP-UP WASTE

Order no.	3.1195.1.004.110.1
Connection	3/8" flexible connection hoses
Spout length	110 mm
Flow rate	6.4 l/min (3 bar)
Acoustic class	I/-
Specification	basin single-lever mixer 40 mm Ecotal cartridge with flow and temperature brake fixed spout
Surface finish	chrome

TECHNICAL DRAWINGS



TECHNICAL DRAWINGS



**Basin single-lever mixer
with pop-up waste
3.1195.1.004.121.1
without pop-up waste
3.1195.1.004.120.1**



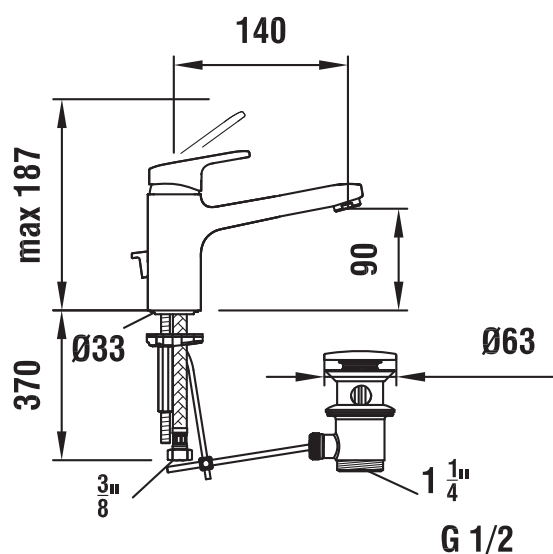
TECHNICAL DATA / WITH POP-UP WASTE

Order no.	3.1195.1.004.121.1
Connection	3/8" flexible connection hoses
Spout length	140 mm
Flow rate	6.4 l/min (3 bar)
Acoustic class	I/-
Specification	basin single-lever mixer 40 mm Ecototal cartridge with flow and temperature brake fixed spout
Accessories incl.	pop-up waste 1 1/4"
Surface finish	chrome

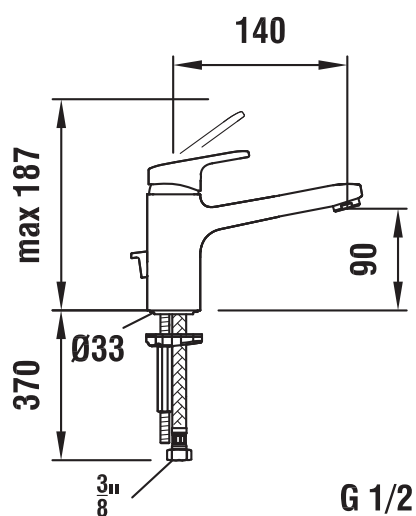
TECHNICAL DATA / WITHOUT POP-UP WASTE

Order no.	3.1195.1.004.120.1
Connection	3/8" flexible connection hoses
Spout length	140 mm
Flow rate	6.4 l/min (3 bar)
Acoustic class	I/-
Specification	basin single-lever mixer 40 mm Ecototal cartridge with flow and temperature brake fixed spout
Surface finish	chrome

TECHNICAL DRAWINGS



TECHNICAL DRAWINGS



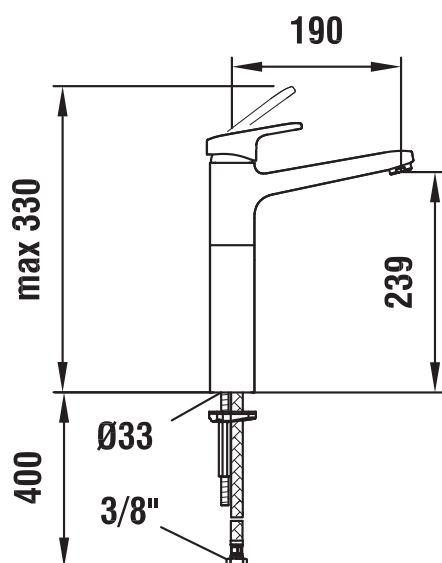
Standing column single-lever mixer without pop-up waste 3.1195.1.504.130.1



TECHNICAL DATA

Order no.	3.1195.1.504.130.1	Specification	standing column single-lever mixer
Connection	3/8" flexible connection hoses		40 mm Ecotal cartridge with flow and temperature brake
Spout length	190 mm		fixed spout
Flow rate	6.3 l/min (3 bar)	Surface finish	chrome
Acoustic class	I/-		

TECHNICAL DRAWINGS



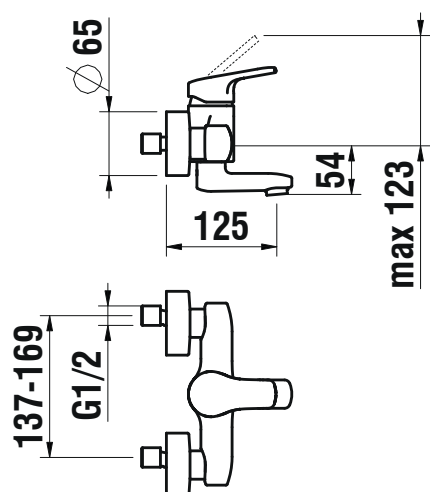
Wall washbasin mixer 3.1195.7.004.210.1



TECHNICAL DATA

Order no.	3.1195.7.004.210.1	Specification	wall washbasin mixer
Gauge	137-169 mm		40 mm Ecotal cartridge with flow and temperature brake
Connection	1/2"		swivel spout
Spout length	125 mm	Mounting acc. incl.	wall connections
Flow rate	5.8 l/min (3 bar)	Surface finish	chrome
Acoustic class	I/-		

TECHNICAL DRAWINGS



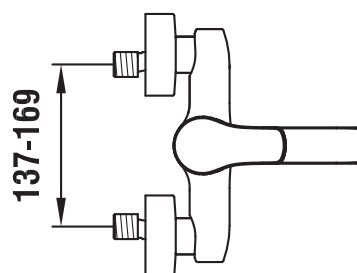
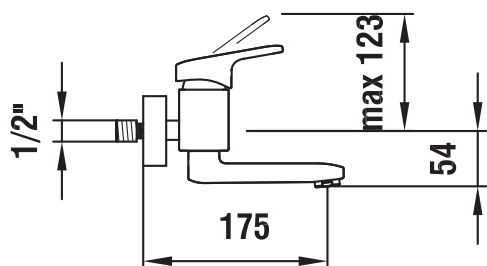
**Wall washbasin mixer
3.1195.7.004.220.1**



TECHNICAL DATA

Order no.	3.1195.7.004.220.1	Specification	wall washbasin mixer
Gauge	137-169 mm		40 mm Ecotal cartridge with flow and temperature brake
Connection	1/2"		swivel spout
Spout length	175 mm	Mounting acc. incl.	wall connections
Flow rate	5.8 l/min (3 bar)	Surface finish	chrome
Acoustic class	I/-		

TECHNICAL DRAWINGS



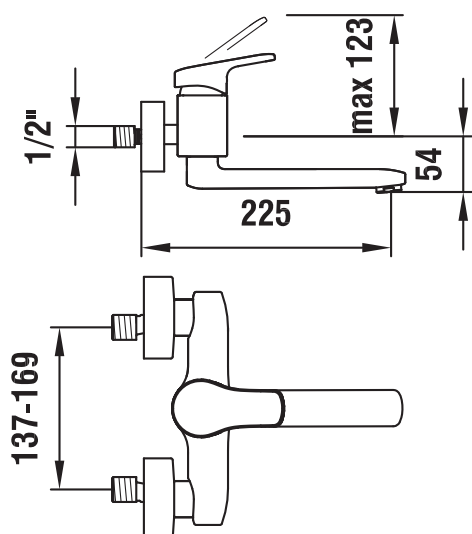
**Wall washbasin mixer
3.1195.7.004.230.1**



TECHNICAL DATA

Order no.	3.1195.7.004.230.1	Specification	wall washbasin mixer
Gauge	137-169 mm		40 mm Ecotal cartridge with flow and temperature brake
Connection	1/2"		swivel spout
Spout length	225 mm	Mounting acc. incl.	wall connections
Flow rate	5.8 l/min (3 bar)	Surface finish	chrome
Acoustic class	I/-		

TECHNICAL DRAWINGS



CITYPRO

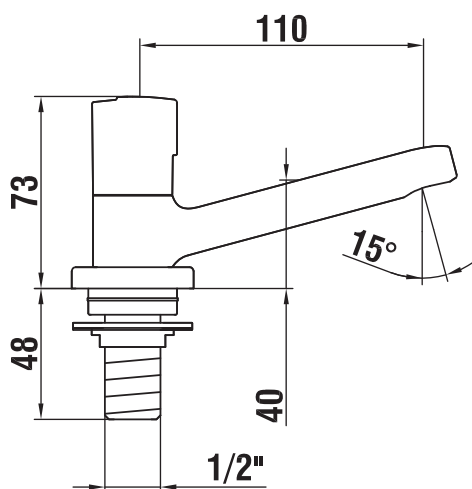
**Cold water faucet
3.1195.8.004.110.1**



TECHNICAL DATA

Order no.	3.1195.8.004.110.1	Specification	cold water faucet
Connection	1/2"		without pop-up waste
Spout length	110 mm		fixed spout
Flow rate	9.7 l/min (3 bar)	Surface finish	chrome
Acoustic class	II/-		

TECHNICAL DRAWINGS



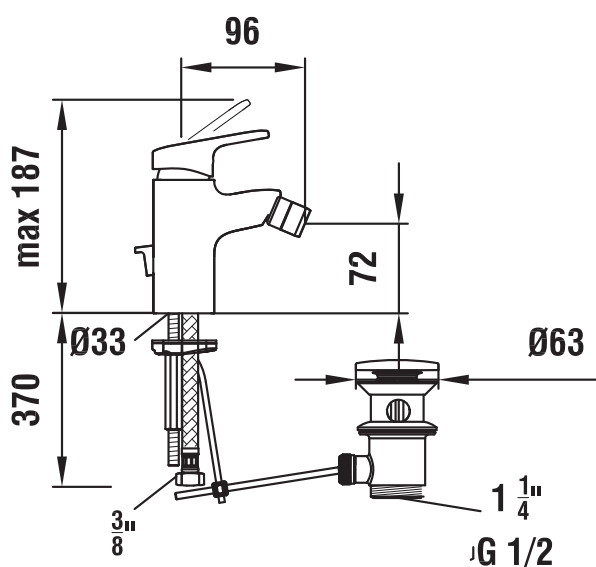
Bidet single-lever mixer with pop-up waste 3.4195.1.004.111.1



TECHNICAL DATA

Order no.	3.4195.1.004.111.1	Specification	bidet single-lever mixer
Connection	3/8" flexible connection hoses		40 mm Ecotal cartridge with flow and temperature brake
Spout length	96 mm		fixed spout
Flow rate	10.2 l/min (3 bar)	Accessories incl.	pop-up waste 1 1/4"
Acoustic class	IA	Surface finish	chrome

TECHNICAL DRAWINGS



**Bath/shower single-lever mixer
with accessories**

3.2195.7.004.131.1

without accessories

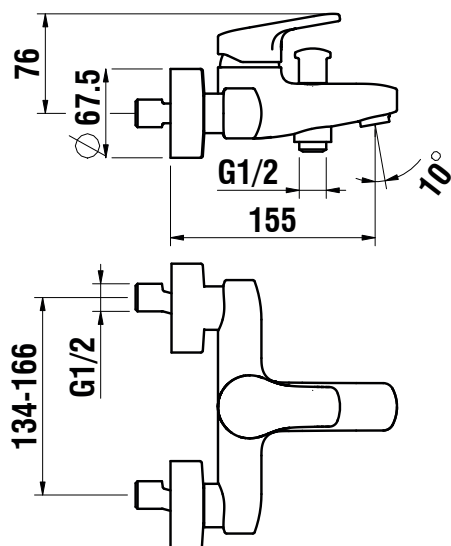
3.2195.7.004.400.1



TECHNICAL DATA

Order no.	3.2195.7.004.131.1 / with accessories 3.2195.7.004.400.1 / without accessories	Specification	bath/shower single-lever mixer 40 mm Ecototal cartridge with flow and temperature brake fixed spout automatic diverter intrinsically safe against backflow
Gauge	134-166 mm	Accessories incl.	order no. 3.2195.7.004.131.1 – complete with synthetic flexible hose 1500 mm and handshower Aquajet
Connection	1/2"	Mounting acc. incl.	wall connections
Hose connection	1/2" (DN 15)	Surface finish	chrome
Spout length	155 mm		
Flow rate	spout: 20 l/min (3 bar) shower: 19.2 l/min (3 bar)		
Acoustic class	spout: IC shower: IB		

TECHNICAL DRAWINGS



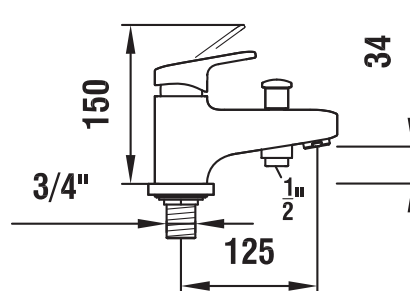
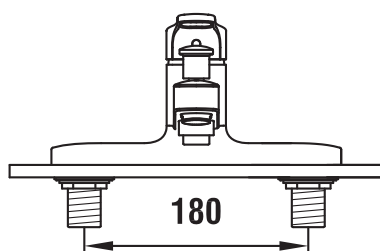
**Bath/shower deck mounted mixer
with accessories
3.2195.2.004.137.1
without accessories
3.2195.2.004.400.1**



TECHNICAL DATA

Order no.	3.2195.2.004.137.1 / with accessories 3.2195.2.004.400.1 / without accessories	Specification	bath/shower deck mounted mixer 40 mm Ecototal cartridge with flow and temperature brake fixed spout automatic diverter intrinsically safe against backflow
Gauge	180 mm	Accessories incl.	order no. 3.2195.2.004.137.1 – complete with synthetic flexible hose 1500 mm and handshower Aquajet
Connection	3/4"	Surface finish	chrome
Hose connection	1/2" (DN 15)		
Spout length	125 mm		

TECHNICAL DRAWINGS



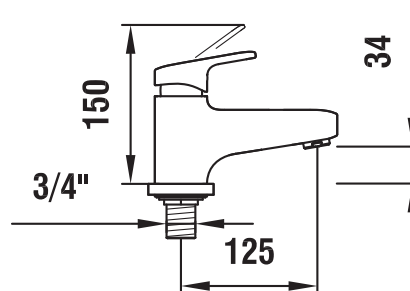
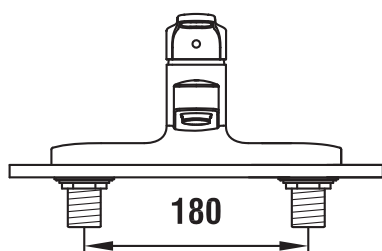
**Bath deck mounted mixer
3.2195.8.004.400.1**



TECHNICAL DATA

Order no.	3.2195.8.004.400.1	Specification	bath deck mounted mixer
Gauge	180 mm		40 mm Ecotal cartridge with flow and temperature brake
Connection	3/4"		fixed spout
Spout length	125 mm		intrinsically safe against backflow
		Surface finish	chrome

TECHNICAL DRAWINGS



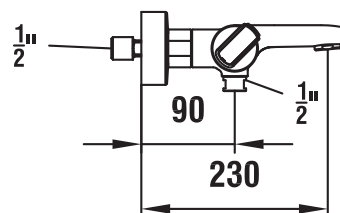
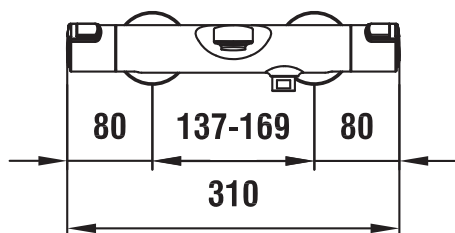
**Thermostatic bath/shower mixer without accessories
3.2395.7.004.400.1**



TECHNICAL DATA

Order no.	3.2395.7.004.400.1 / without accessories	Specification	thermostatic bath/shower mixer
Gauge	137-169 mm		temperature handle with safety button 38° C
Connection	1/2"		flow rate handle with built-in water-saver button (50%)
Hose connection	1/2" (DN 15)		automatic hot water shut-off in the event of a cold water supply failure
Spout length	230 mm		fixed spout
Flow rate	spout: 20 l/min (3 bar) shower: 14.3 l/min (3 bar)		automatic diverter
Acoustic class	spout: I/- shower: IB		intrinsically safe against backflow
		Mounting acc. incl.	wall connections
		Surface finish	chrome

TECHNICAL DRAWINGS



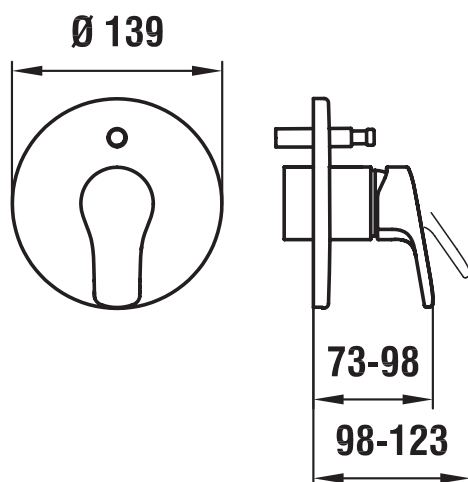
**Set for concealed bath/shower mixer Simibox
3.2195.6.004.000.1**



TECHNICAL DATA

Order no.	3.2195.6.004.000.1	Mounting acc. excl.	either Simibox Standard, concealed system for bath and shower mixer, order no. 3.7898.0.000.000.1 or Simibox Light, concealed system for bath and shower mixer:
Flow rate	Simibox Light: spout: 21.9 l/min (3 bar) shower: 19.2 l/min (3 bar) Simibox Standard: spout: 20.6 l/min (3 bar) shower: 18.1 l/min (3 bar)		with stop valve: order no. 3.7898.0.000.100.1 without stop valve: order no. 3.7898.0.000.101.1 Simibox, mounting aid for concealed bath and shower mixer, order no. 3.7998.0.003.000.1 Simibox, flange set, order no. 3.7998.0.000.500.1 Simibox, extension set L = 25 mm – order no. 3.7998.0.000.050.1 L = 50 mm – order no. 3.7998.0.000.060.1
Acoustic class	Simibox Light: spout: ID shower: IC Simibox Standard: spout: IC shower: IB	Surface finish	chrome
Specification	set for concealed bath/shower mixer Simibox 40 mm Ecototal cartridge with flow and temperature brake automatic diverter		

TECHNICAL DRAWINGS



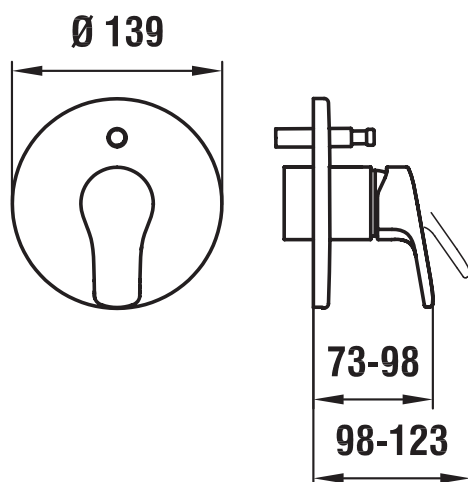
**Set for concealed bath/shower mixer Simibox
with integrated vacuum breaker
3.2195.6.004.010.1**



TECHNICAL DATA

Order no.	3.2195.6.004.010.1	Mounting acc. excl.	either Simibox Standard, concealed system for bath and shower mixer, order no. 3.7898.0.000.000.1 or Simibox Light, concealed system for bath and shower mixer:
Flow rate	Simibox Light: spout: 21.9 l/min (3 bar) shower: 19.2 l/min (3 bar) Simibox Standard: spout: 20.6 l/min (3 bar) shower: 18.1 l/min (3 bar)		with stop valve: order no. 3.7898.0.000.100.1 without stop valve: order no. 3.7898.0.000.101.1
Acoustic class	Simibox Light: spout: ID shower: IC Simibox Standard: spout: IC shower: IB		Simibox, mounting aid for concealed bath and shower mixer, order no. 3.7998.0.003.000.1 Simibox, flange set, order no. 3.7998.0.000.500.1 Simibox, extension set L = 25 mm – order no. 3.7998.0.000.050.1 L = 50 mm – order no. 3.7998.0.000.060.1
Specification	set for concealed bath/shower mixer Simibox with integrated vacuum breaker 40 mm Ecototal cartridge with flow and temperature brake automatic diverter	Surface finish	chrome

TECHNICAL DRAWINGS



CITYPRO

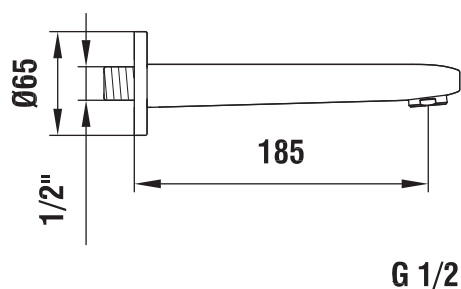
**Wall spout
3.7195.0.004.060.1**



TECHNICAL DATA

Order no.	3.7195.0.004.060.1	Specification	wall spout
Connection	1/2"		fixed spout
Spout length	185 mm	Surface finish	chrome

TECHNICAL DRAWINGS



CITYPRO

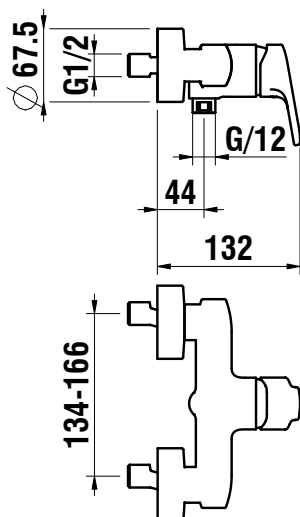
**Shower single-lever mixer
with accessories
3.3195.7.004.131.1
without accessories
3.3195.7.004.400.1**



TECHNICAL DATA

Order no.	3.3195.7.004.131.1 / with accessories 3.3195.7.004.400.1 / without accessories	Specification	shower single-lever mixer 40 mm Ecototal cartridge with flow and temperature brake intrinsically safe against backflow
Gauge	134-166 mm	Accessories incl.	order no. 3.3195.7.004.131.1 – complete with synthetic flexible hose 1500 mm and handshower Aquajet
Connection	1/2"	Mounting acc. incl.	wall connections
Hose connection	1/2" (DN 15)	Surface finish	chrome
Flow rate	16.6 l/min (3 bar)		
Acoustic class	IA		

TECHNICAL DRAWINGS



Thermostatic shower mixer without accessories

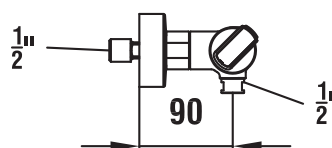
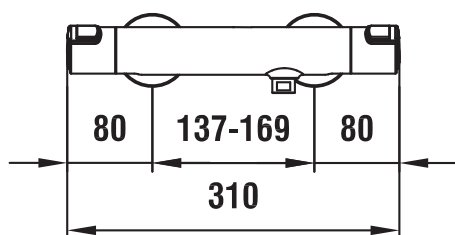
3.3395.7.004.400.1



TECHNICAL DATA

Order no.	3.3395.7.004.400.1 / without accessories	Specification	thermostatic shower mixer
Gauge	137-169 mm		temperature handle with safety button 38° C
Connection	1/2"		flow rate handle with built-in water-saver button (50%)
Hose connection	1/2" (DN 15)		automatic hot water shut-off in the event of a cold water supply failure
Flow rate	15 l/min (3 bar)		intrinsically safe against backflow
Acoustic class	IB	Mounting acc. incl.	wall connections
		Surface finish	chrome

TECHNICAL DRAWINGS



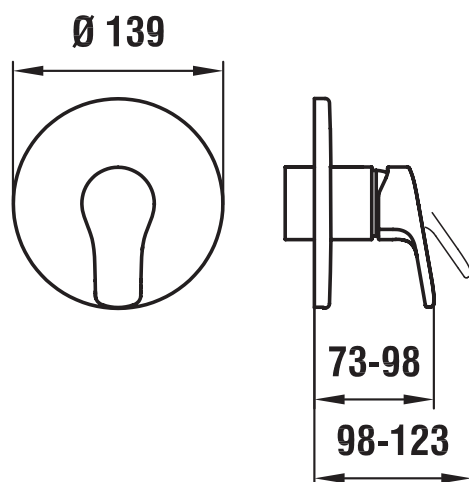
**Set for concealed shower mixer Simibox
3.3195.6.004.000.1**



TECHNICAL DATA

Order no.	3.3195.6.004.000.1	Mounting acc. excl.	either Simibox Standard, concealed system for bath and shower mixer, order no. 3.7898.0.000.000.1 or Simibox Light, concealed system for bath and shower mixer:
Flow rate	Simibox Light: 19.2 l/min (3 bar) Simibox Standard: 18.1 l/min (3 bar)		with stop valve: order no. 3.7898.0.000.100.1 without stop valve: order no. 3.7898.0.000.101.1
Acoustic class	Simibox Light: IC Simibox Standard: IA		Simibox, mounting aid for concealed bath and shower mixer, order no. 3.7998.0.003.000.1 Simibox, flange set, order no. 3.7998.0.000.500.1 Simibox, extension set L = 25 mm – order no. 3.7998.0.000.050.1 L = 50 mm – order no. 3.7998.0.000.060.1
Specification	set for concealed bath/shower mixer Simibox 40 mm Ecototal cartridge with flow and temperature brake automatic diverter	Surface finish	chrome

TECHNICAL DRAWINGS



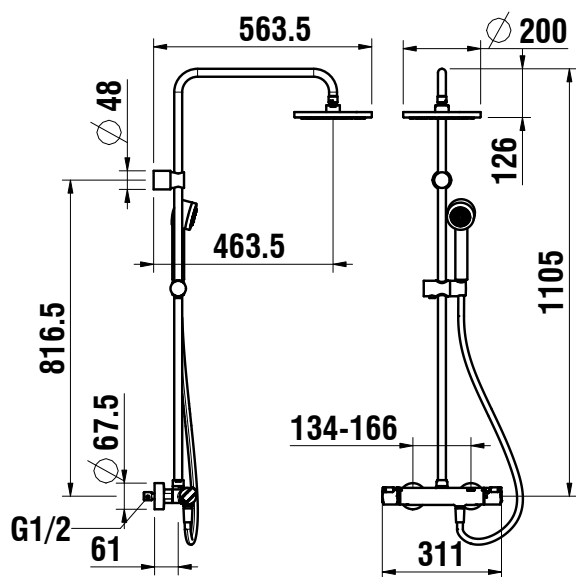
**Thermostatic showerstation
3.3395.7.004.536.1**



TECHNICAL DATA

Order no.	3.3395.7.004.536.1	Specification	thermostatic showerstation with complete showerstation
Flow rate	handshower: 8 l/min (3 bar) rainshower: 12 l/min (3 bar)		including rain shower head Ø 200 mm
Acoustic class	handshower: IB rainshower: IB		flexible hose 1500 mm handspray AquaJet
		Surface finish	chrome

TECHNICAL DRAWINGS



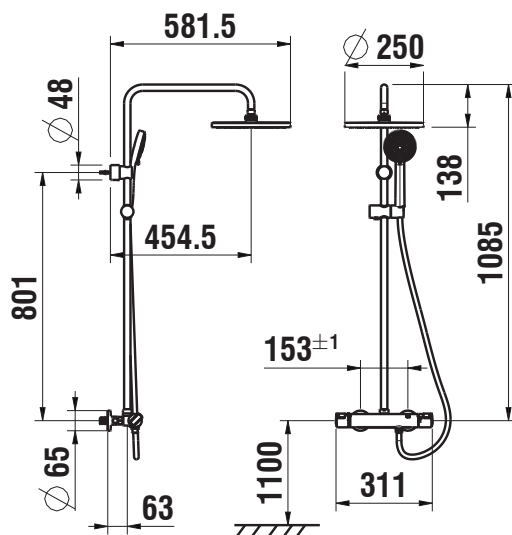
**Thermostatic showerstation
3.3396.7.004.537.1**



TECHNICAL DATA

Order no.	3.3396.7.004.537.1	Specification	thermostatic showerstation with complete showerstation
Flow rate	handshower: 8 l/min (3 bar) rainshower: 12 l/min (3 bar)		including rain shower head Ø 250 mm
Acoustic class	handshower: IB rainshower: IB		flexible hose 1500 mm handspray Stella with 3 functions
		Surface finish	chrome

TECHNICAL DRAWINGS



CITYTOUCH

Self closing mixer

3.18S1.2.304.010.1

Self Closing mixer two hand

3.18S1.2.304.015.1



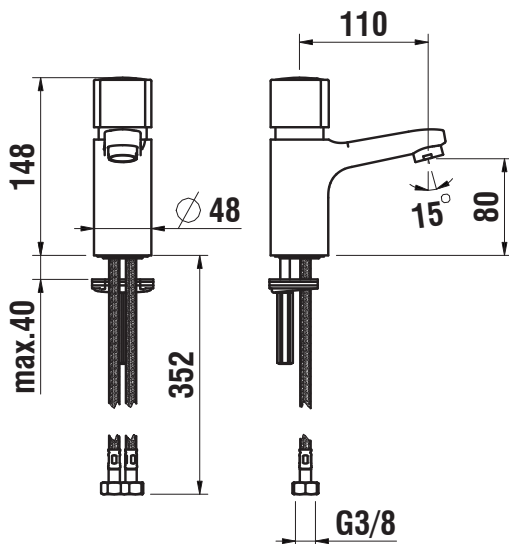
TECHNICAL DATA / WITH POP-UP WASTE

Order no.	3.18S1.2.304.010.1
Connection	3/8" flexible connection hoses
Spout length	110 mm
Flow rate	4.6 l/min (3 bar)
Acoustic class	I/-
Specification	self closing mixer hydraulic cartridge fixed spout factory setting 7 seconds
Surface finish	chrome

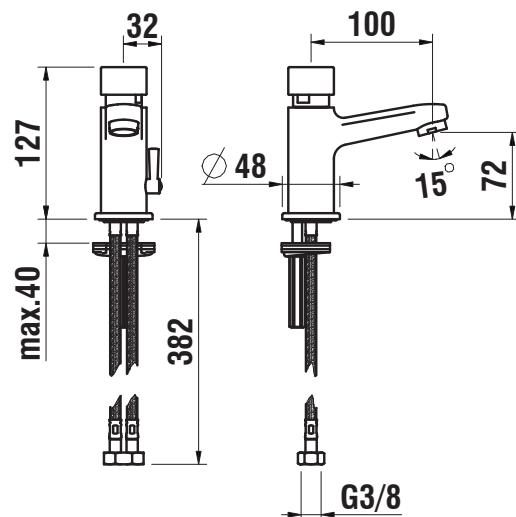
TECHNICAL DATA / WITHOUT POP-UP WASTE

Order no.	3.18S1.2.304.015.1
Connection	3/8" flexible connection hoses
Spout length	100 mm
Flow rate	4.8 l/min (3 bar)
Acoustic class	I/-
Specification	self closing mixer hydraulic cartridge fixed spout factory setting 7 seconds
Surface finish	chrome

TECHNICAL DRAWINGS

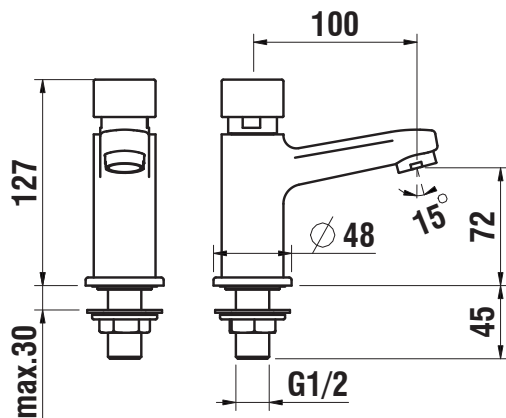


TECHNICAL DRAWINGS



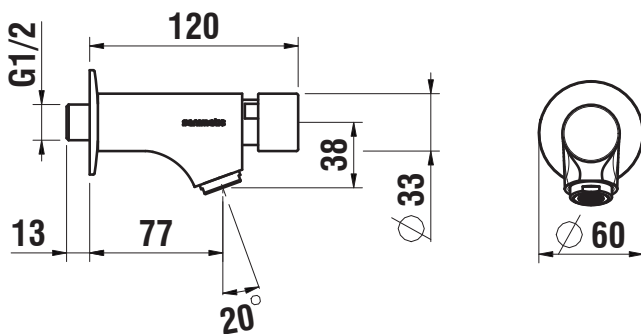
**TECHNICAL DATA**

Order no.	3.19S1.2.304.010.1	Specification	self closing tap
Connection	G1/2 connection		hydraulic cartridge
Spout length	100 mm		fixed spout
Flow rate	5.2 l/min (3 bar)		factory setting 7 seconds
Acoustic class	I/-	Surface finish	chrome

TECHNICAL DRAWINGS

**Self closing tap
3.19S1.5.304.010.1****TECHNICAL DATA**

Order no.	3.19S1.5.304.010.1	Specification	self closing tap
Connection	G1/2 connection		hydraulic cartridge
Spout length	77 mm		fixed spout
Flow rate	5.2 l/min (3 bar)		factory setting 7 seconds
Acoustic class	I/-	Surface finish	chrome

TECHNICAL DRAWINGS

KARTELL BY LAUFEN

KARTELL BY LAUFEN

**Basin single-lever mixer
with pop-up waste
3.1133.1.004.111.1
without pop-up waste
3.1133.1.004.110.1**



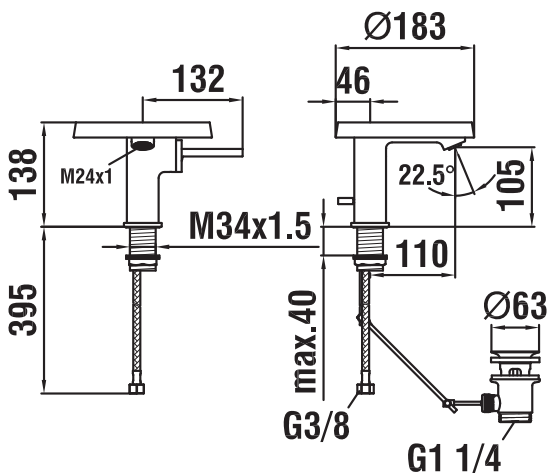
TECHNICAL DATA / WITH POP-UP WASTE

Order no.	3.1133.1.004.111.1
Connection	3/8" flexible connection hoses
Spout length	110 mm
Flow rate	5.7 l/min (3 bar)
Acoustic class	I/-
Specification	basin single-lever mixer joystick cartridge fixed spout transparent crystall disc supplied - other colours are to be ordered separately
Mounting acc. excl.	disc smoky grey, order nr 3.9833.5.085.001.1 disc tangerine orange, order nr 3.9833.5.082.001.1 disc amber, order nr 3.9833.5.081.001.1
Accessories incl.	pop-up waste 1¼"
Surface finish	chrome

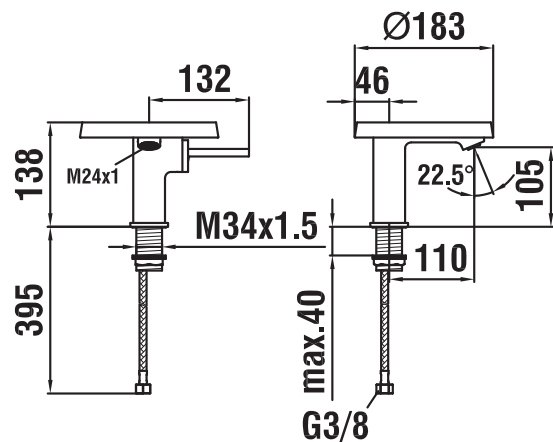
TECHNICAL DATA / WITHOUT POP-UP WASTE

Order no.	3.1133.1.004.110.1
Connection	3/8" flexible connection hoses
Spout length	110 mm
Flow rate	5.7 l/min (3 bar)
Acoustic class	I/-
Specification	basin single-lever mixer joystick cartridge fixed spout transparent crystall disc supplied - other colours are to be ordered separately
Mounting acc. excl.	disc smoky grey, order nr 3.9833.5.085.001.1 disc tangerine orange, order nr 3.9833.5.082.001.1 disc amber, order nr 3.9833.5.081.001.1
Surface finish	chrome

TECHNICAL DRAWINGS



TECHNICAL DRAWINGS



KARTELL BY LAUFEN

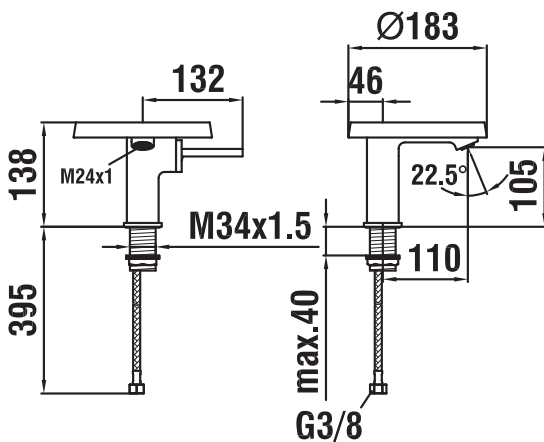
**Basin single-lever mixer
pop-up waste lever, without pop-up waste
3.1133.1.004.113.1**



TECHNICAL DATA

Order no.	3.1133.1.004.113.1	Specification	basin single-lever mixer
Connection	3/8" flexible connection hoses		joystick cartridge
Spout length	110 mm		fixed spout
Flow rate	5.7 l/min (3 bar)		transparent crystall disc supplied - other colours are to be ordered separately
Acoustic class	I/-	Mounting acc. excl.	disc smoky grey, order nr 3.9833.5.085.001.1 disc tangerine orange, order nr 3.9833.5.082.001.1 disc amber, order nr 3.9833.5.081.001.1
		Accessories incl.	pop-up rod
		Surface finish	chrome

TECHNICAL DRAWINGS



KARTELL BY LAUFEN

**Basin single-lever mixer
with pop-up waste
3.1133.1.004.101.1
without pop-up waste
3.1133.1.004.100.1**



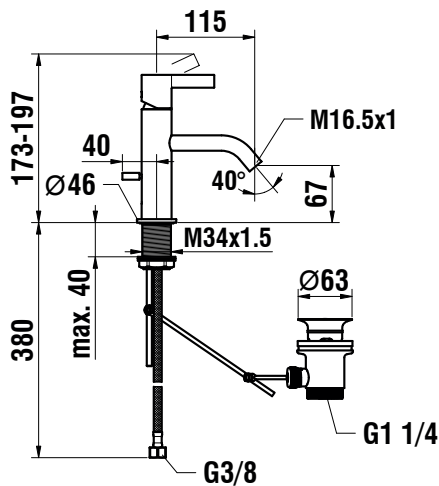
TECHNICAL DATA / WITH POP-UP WASTE

Order no.	3.1133.1.004.101.1
Connection	3/8" flexible connection hoses
Spout length	115 mm
Flow rate	5.7 l/min (3 bar)
Acoustic class	I/-
Specification	basin single-lever mixer 25 mm cartridge fixed spout
Accessories incl.	pop-up waste 1 1/4"
Surface finish	chrome

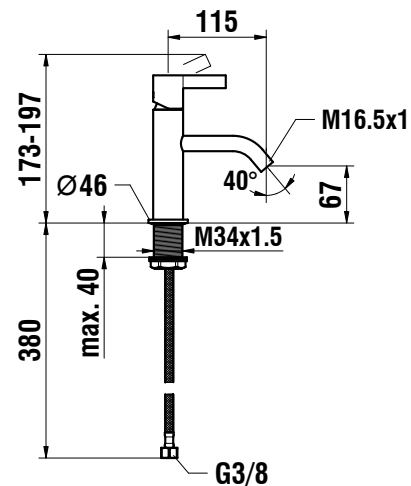
TECHNICAL DATA / WITHOUT POP-UP WASTE

Order no.	3.1133.1.004.100.1
Connection	3/8" flexible connection hoses
Spout length	115 mm
Flow rate	5.7 l/min (3 bar)
Acoustic class	I/-
Specification	basin single-lever mixer 25 mm cartridge fixed spout
Surface finish	chrome

TECHNICAL DRAWINGS



TECHNICAL DRAWINGS



KARTELL BY LAUFEN

**Basin single-lever mixer
with pop-up waste
3.1133.1.090.101.1
without pop-up waste
3.1133.1.090.100.1**



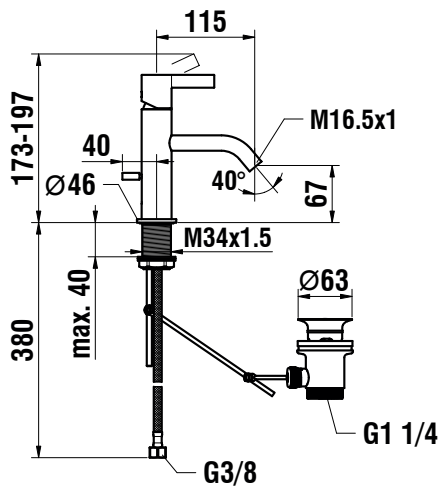
TECHNICAL DATA / WITH POP-UP WASTE

Order no.	3.1133.1.090.101.1
Connection	3/8" flexible connection hoses
Spout length	115 mm
Flow rate	5.7 l/min (3 bar)
Acoustic class	I/-
Specification	basin single-lever mixer 25 mm cartridge fixed spout
Accessories incl.	pop-up waste 1 1/4"
Surface finish	PVD inox look

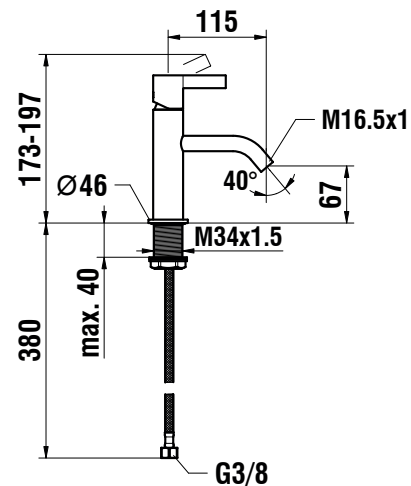
TECHNICAL DATA / WITHOUT POP-UP WASTE

Order no.	3.1133.1.090.100.1
Connection	3/8" flexible connection hoses
Spout length	115 mm
Flow rate	5.7 l/min (3 bar)
Acoustic class	I/-
Specification	basin single-lever mixer 25 mm cartridge fixed spout
Surface finish	PVD inox look

TECHNICAL DRAWINGS



TECHNICAL DRAWINGS



KARTELL BY LAUFEN

**Basin single-lever mixer
with pop-up waste
3.1133.1.004.121.1
without pop-up waste
3.1133.1.004.120.1**

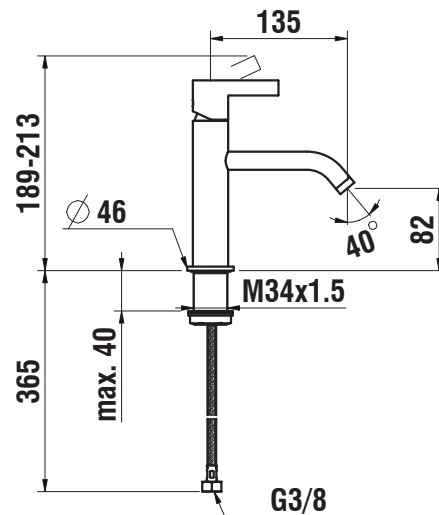
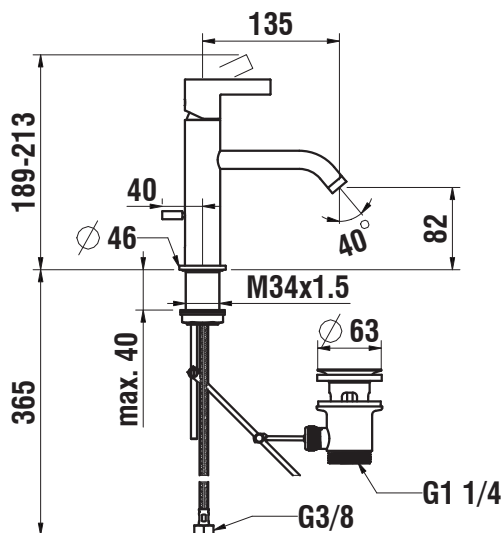


TECHNICAL DATA

Order no.	3.1133.1.004.121.1
Connection	3/8" flexible connection hoses
Spout length	135 mm
Flow rate	5.3 l/min (3 bar)
Acoustic class	I/-
Specification	basin single-lever mixer 25 mm cartridge fixed spout
Accessories incl.	pop-up waste 1 1/4"
Surface finish	chrome

Order no.	3.1133.1.004.120.1
Connection	3/8" flexible connection hoses
Spout length	135 mm
Flow rate	5.3 l/min (3 bar)
Acoustic class	I/-
Specification	basin single-lever mixer 25 mm cartridge fixed spout
Surface finish	chrome

TECHNICAL DRAWINGS



KARTELL BY LAUFEN

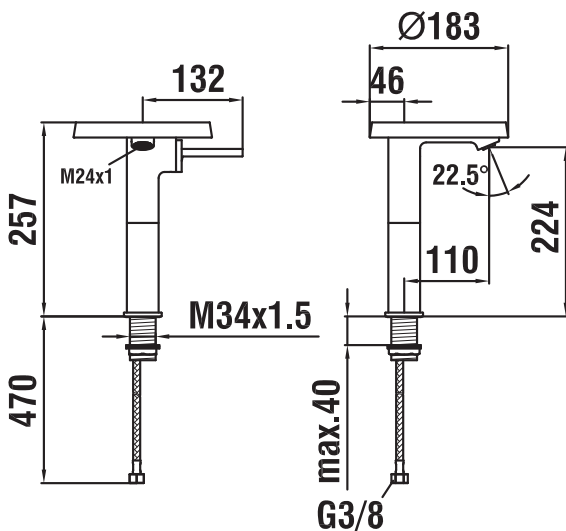
**Standing column single-lever mixer
without pop-up waste
3.1133.8.004.110.1**



TECHNICAL DATA

Order no.	3.1133.8.004.110.1	Specification	basin single-lever mixer
Connection	3/8" flexible connection hoses		joystick cartridge
Spout length	110 mm		fixed spout
Flow rate	5.7 l/min (3 bar)		transparent crystal disc supplied - other colours are to be ordered separately
Acoustic class	I/-	Mounting acc. excl.	disc smoky grey, order nr 3.9833.5.085.001.1 disc tangerine orange, order nr 3.9833.5.082.001.1 disc amber, order nr 3.9833.5.081.001.1
		Surface finish	chrome

TECHNICAL DRAWINGS



KARTELL BY LAUFEN

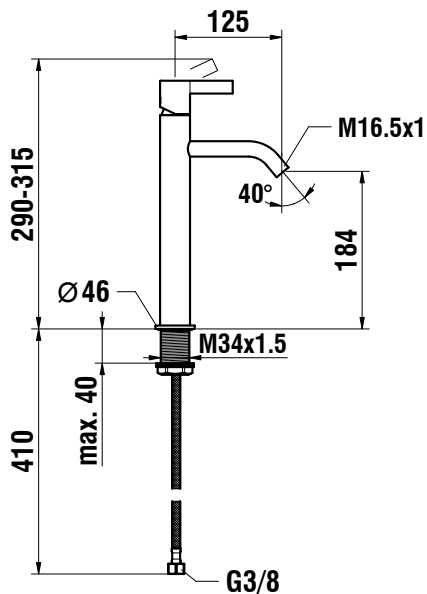
**Standing column single-lever mixer
without pop-up waste
3.1133.8.004.120.1**



TECHNICAL DATA

Order no.	3.1133.8.004.120.1	Specification	standing column single-lever mixer
Connection	3/8" flexible connection hoses		height under the aerator: 184 mm
Spout length	125 mm		25 mm cartridge
Flow rate	5.7 l/min (3 bar)		fixed spout
Acoustic class	I/-	Surface finish	chrome

TECHNICAL DRAWINGS



KARTELL BY LAUFEN

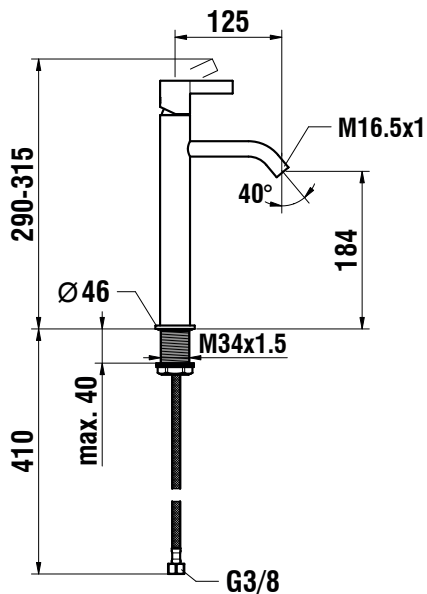
**Standing column single-lever mixer
without pop-up waste
3.1133.8.090.120.1**



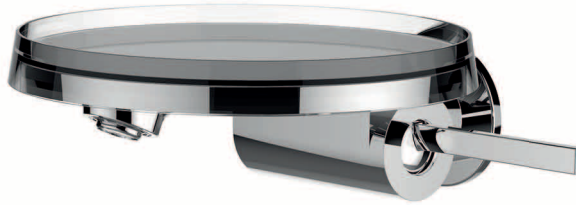
TECHNICAL DATA

Order no.	3.1133.8.090.120.1	Specification	standing column single-lever mixer
Connection	3/8" flexible connection hoses		height under the aerator: 184 mm
Spout length	125 mm		25 mm cartridge
Flow rate	5.7 l/min (3 bar)		fixed spout
Acoustic class	I/-	Surface finish	PVD inox look

TECHNICAL DRAWINGS



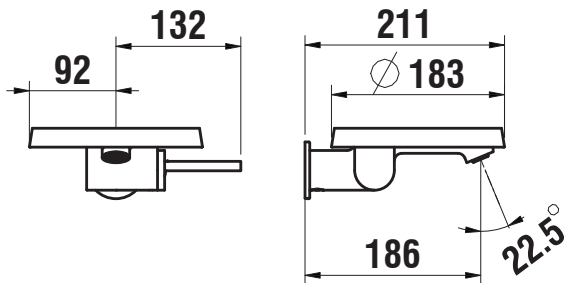
**Concealed wall washbasin mixer
for Simibox 1-Point
3.1133.7.004.120.1**



TECHNICAL DATA

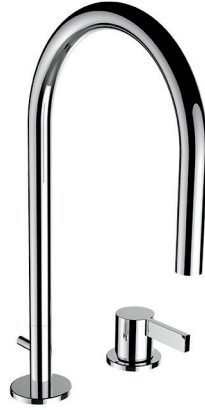
Order no.	3.1133.7.004.120.1	Mounting acc. excl.	Simibox 1-Point, concealed system for bath, shower and washbasin mixer, order nr 3.7698.1.000.100.1
Spout length	186 mm		mounting aid for Simibox 1-Point, order nr 3.7798.0.003.000.1
Flow rate	5.7 l/min (3 bar)		extension set for Simibox 1-Point, L = 25 mm, order nr 3.7698.4.000.125.1
Acoustic class	I/-		disc smoky grey, order nr 3.9833.5.085.001.1
Specification	concealed wall washbasin mixer for Simibox 1-Point joystick cartridge fixed spout transparent crystall disc supplied - other colours are to be ordered separately		disc tangerine orange, order nr 3.9833.5.082.001.1 disc amber, order nr 3.9833.5.081.001.1
		Surface finish	chrome

TECHNICAL DRAWINGS



KARTELL BY LAUFEN

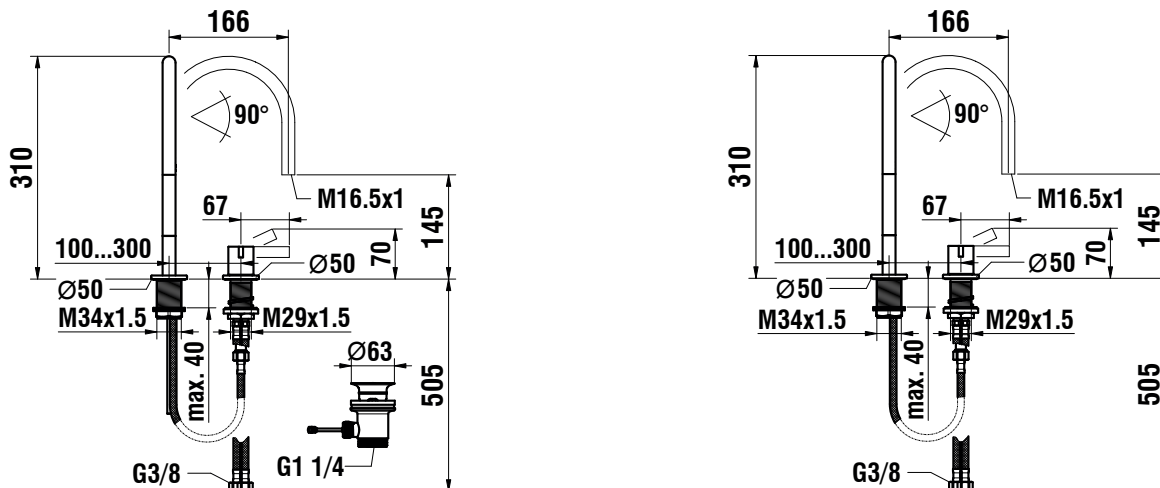
**2-holes basin single lever mixer
with pop-up waste
3.1133.2.004.221.1
without pop-up waste
3.1133.2.004.220.1**



TECHNICAL DATA

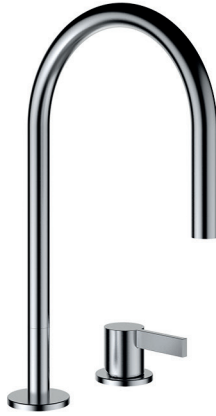
Order no.	3.1133.2.004.221.1	Order no.	3.1133.2.004.220.1
Connection	3/8" flexible connection hoses	Connection	3/8" flexible connection hoses
Spout length	166 mm	Spout length	166 mm
Flow rate	5.7 l/min (3 bar)	Flow rate	5.7 l/min (3 bar)
Acoustic class	I/-	Acoustic class	I/-
Specification	2-holes basin single lever mixer 25 mm cartridge swivel spout	Specification	2-holes basin single lever mixer 25 mm cartridge swivel spout
Accessories incl.	pop-up waste 1¼"	Surface finish	chrome
Surface finish	chrome		

TECHNICAL DRAWINGS



KARTELL BY LAUFEN

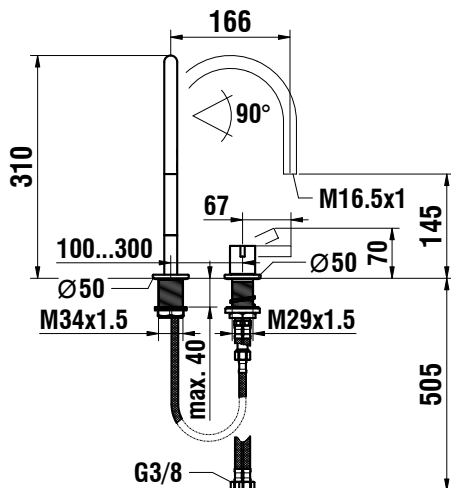
**2-holes basin single lever mixer
without pop-up waste
3.1133.2.090.220.1**



TECHNICAL DATA

Order no.	3.1133.2.090.220.1	Specification	2-holes basin single-lever mixer
Connection	3/8" flexible connection hoses		25 mm cartridge
Spout length	166 mm		fixed spout
Flow rate	5.7 l/min (3 bar)	Surface finish	PVD inox look
Acoustic class	I/-		

TECHNICAL DRAWINGS



KARTELL BY LAUFEN

3-holes basin mixer with pop-up waste 3.1233.3.004.221.1 without pop-up waste 3.1233.3.004.220.1



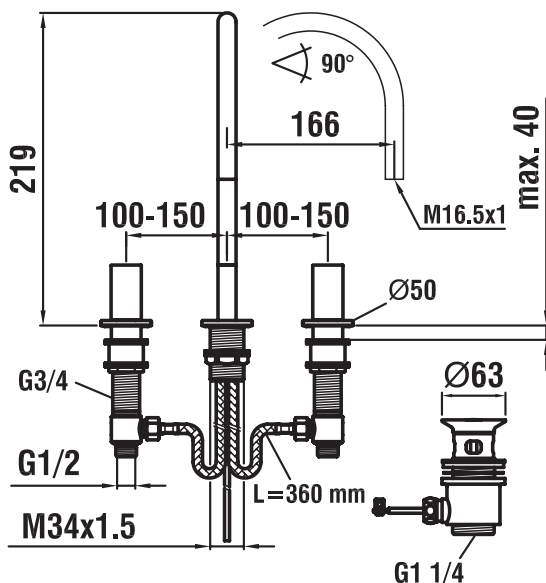
TECHNICAL DATA / WITH POP-UP WASTE

Order no.	3.1233.3.004.221.1
Connection	3/8" flexible connection hoses
Spout length	166 mm
Flow rate	5.7 l/min (3 bar)
Acoustic class	I/-
Specification	3-holes basin mixer swivel spout
Accessories incl.	pop-up waste 1 1/4"
Surface finish	chrome

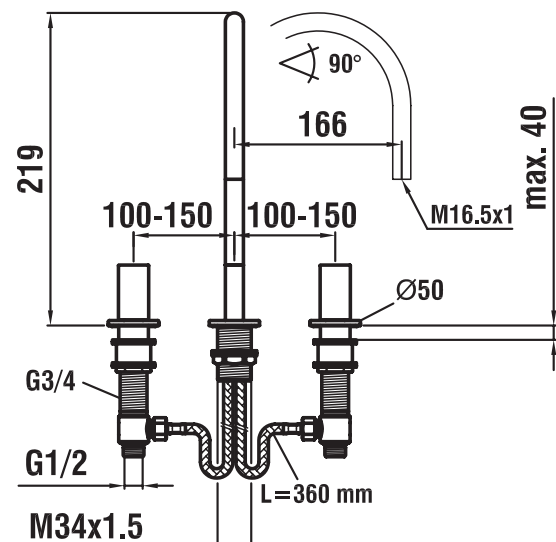
TECHNICAL DATA / WITHOUT POP-UP WASTE

Order no.	3.1233.3.004.220.1
Connection	3/8" flexible connection hoses
Spout length	166 mm
Flow rate	5.7 l/min (3 bar)
Acoustic class	I/-
Specification	3-holes basin mixer swivel spout
Surface finish	chrome

TECHNICAL DRAWINGS



TECHNICAL DRAWINGS



KARTELL BY LAUFEN

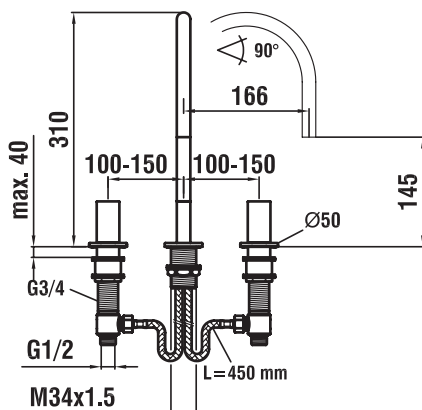
**3-holes basin mixer
without pop-up waste
3.1233.3.090.220.1**



TECHNICAL DATA

Order no.	3.1233.3.090.220.1	Specification	3-holes basin mixer
Connection	3/8" flexible connection hoses		swivel spout
Spout length	166 mm	Surface finish	PVD inox look
Flow rate	5.7 l/min (3 bar)		
Acoustic class	I/-		

TECHNICAL DRAWINGS



KARTELL BY LAUFEN

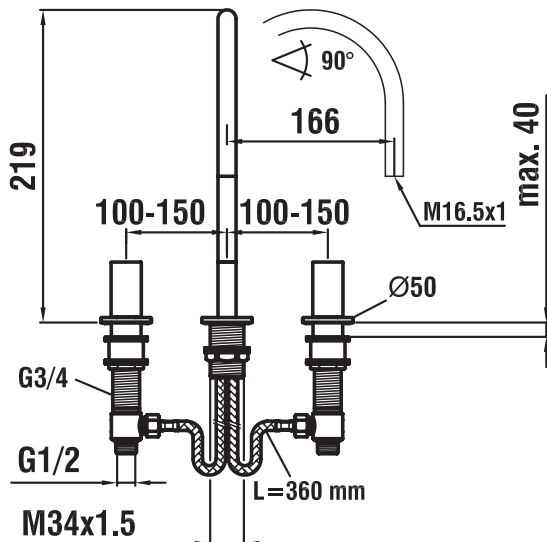
**3-holes basin mixer
pop-up waste lever, without pop-up waste
3.1233.3.004.223.1**



TECHNICAL DATA

Order no.	3.1233.3.004.223.1	Specification	3-holes basin mixer swivel spout
Connection	3/8" flexible connection hoses	Accessories incl.	pop-up rod
Spout length	166 mm	Surface finish	chrome
Flow rate	5.7 l/min (3 bar)		
Acoustic class	I/-		

TECHNICAL DRAWINGS



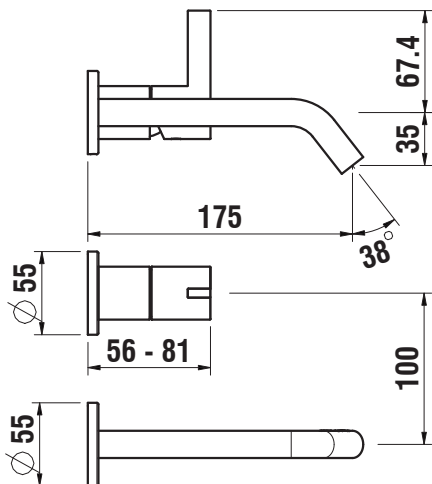
**Concealed wall mixer to Simibox 2-Point
for cartridge 25 mm
3.1133.6.090.120.1**



TECHNICAL DATA

Order no.	3.1133.6.090.120.1	Mounting acc. excl.	concealed body Simibox 2-Point, cartridge 25 mm F25 HT, order no. 3.7698.1.000.251.1
Spout length	175 mm		mounting aid, order no. 3.7798.0.003.001.1
Flow rate	5.7 l/min (3 bar)		Extension set L =25 mm, order no. 3.7998.4.000.225.1
Acoustic class	I/-	Surface finish	PVD inox look
Specification	set for concealed wall mixer to Simibox 2-Point for cartridge 25 mm control handle is positioned right fixed spout		

TECHNICAL DRAWINGS



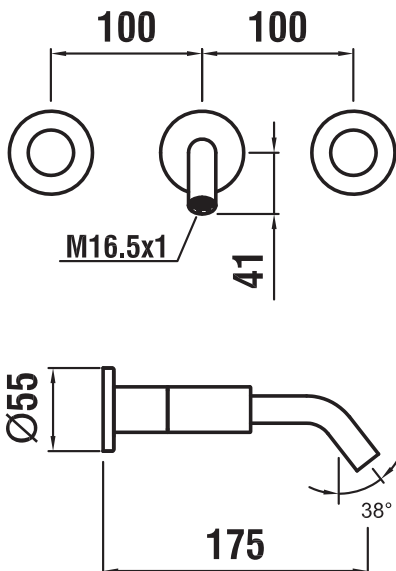
**Concealed basin wall mixer 2-handles
3.1233.6.004.120.1**



TECHNICAL DATA

Order no.	3.1233.6.004.120.1	Specification	concealed basin wall mixer 2-handles fixed spout
Connection	1/2" flexible connection hoses	Mounting acc. excl.	brass rough-in concealed set with 3 plugs, order no. 3.7698.2.000.100.1 extension set for concealed wall mixer, L =25 mm, order no. 3.7670.4.000.050.1
Spout length	175 mm	Surface finish	chrome
Flow rate	5.7 l/min (3 bar)		
Acoustic class	I/-		

TECHNICAL DRAWINGS



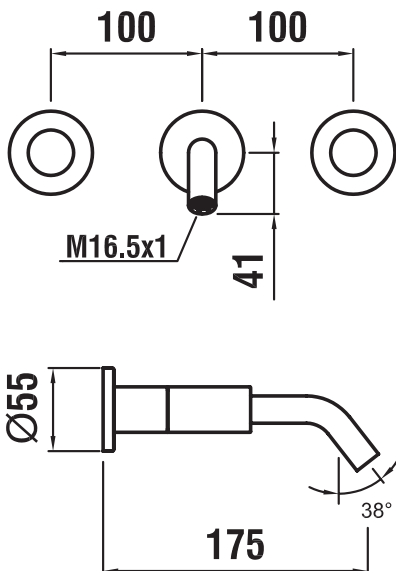
**Concealed basin wall mixer 2-handles
3.1233.6.090.120.1**



TECHNICAL DATA

Order no.	3.1233.6.090.120.1	Specification	concealed basin wall mixer 2-handles fixed spout
Spout length	175 mm	Mounting acc. excl.	brass rough-in concealed set with 3 plugs, order no. 3.7698.2.000.100.1 extension set for concealed wall mixer, L =25 mm, order no. 3.7670.4.000.050.1
Flow rate	5.7 l/min (3 bar)	Surface finish	PVD inox look
Acoustic class	I/-		

TECHNICAL DRAWINGS



KARTELL BY LAUFEN

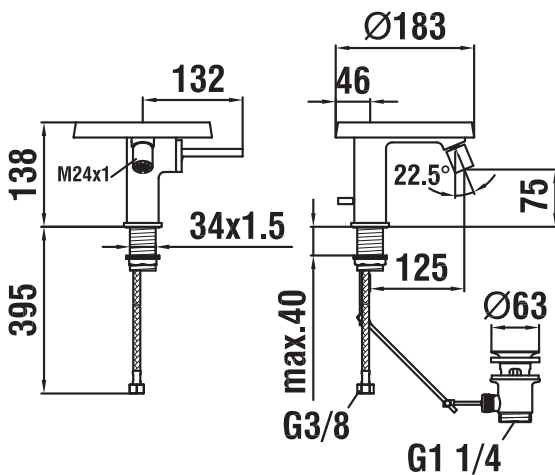
Bidet single-lever mixer with pop-up waste 3.4133.1.004.111.1



TECHNICAL DATA

Order no.	3.4133.1.004.111.1	Specification	bidet single-lever mixer
Connection	3/8" flexible connection hoses		joystick cartridge
Spout length	125 mm		fixed spout
Flow rate	5.7 l/min (3 bar)		transparent crystall disc supplied - other colours are to be ordered separately
Acoustic class	I/-	Mounting acc. excl.	disc smoky grey, order nr 3.9833.5.085.001.1 disc tangerine orange, order nr 3.9833.5.082.001.1 disc amber, order nr 3.9833.5.081.001.1
		Accessories incl.	pop-up waste 1¼"
		Surface finish	chrome

TECHNICAL DRAWINGS



KARTELL BY LAUFEN

**Bidet single-lever mixer
with pop-up waste**

3.4133.1.004.101.1

with pop-up waste lever, without pop-up waste

3.4133.1.004.103.1



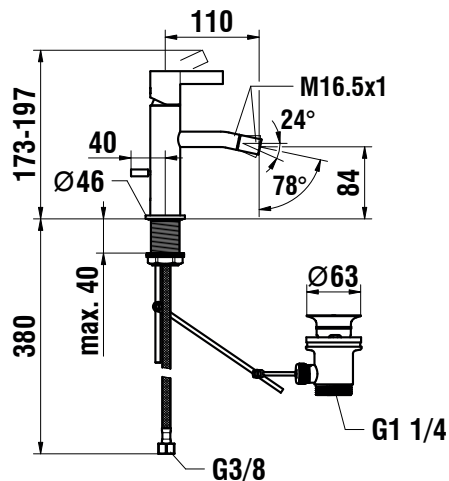
TECHNICAL DATA / WITH POP-UP WASTE

Order no.	3.4133.1.004.101.1
Connection	3/8" flexible connection hoses
Spout length	110 mm
Flow rate	5.7 l/min (3 bar)
Acoustic class	I/-
Specification	bidet single-lever mixer 25 mm cartridge fixed spout
Accessories incl.	pop-up waste 1 1/4"
Surface finish	chrome

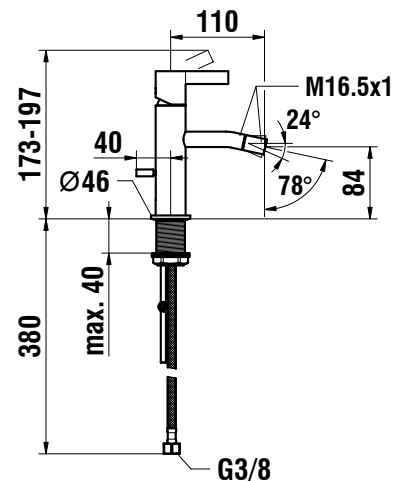
TECHNICAL DATA / WITHOUT POP-UP WASTE

Order no.	3.4133.1.004.103.1
Connection	3/8" flexible connection hoses
Spout length	110 mm
Flow rate	5.7 l/min (3 bar)
Acoustic class	I/-
Specification	bidet single-lever mixer 25 mm cartridge fixed spout"
Surface finish	chrome

TECHNICAL DRAWINGS



TECHNICAL DRAWINGS



KARTELL BY LAUFEN

**Bidet single-lever mixer
with pop-up waste**

3.4133.1.090.101.1

with pop-up waste lever, without pop-up waste

3.4133.1.090.103.1



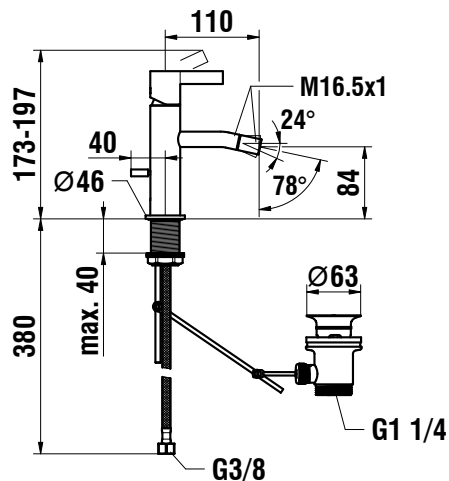
TECHNICAL DATA / WITH POP-UP WASTE

Order no.	3.4133.1.090.101.1
Connection	3/8" flexible connection hoses
Spout length	110 mm
Flow rate	5.7 l/min (3 bar)
Acoustic class	I/-
Specification	bidet single-lever mixer 25 mm cartridge fixed spout
Accessories incl.	pop-up waste 1 1/4"
Surface finish	PVD inox look

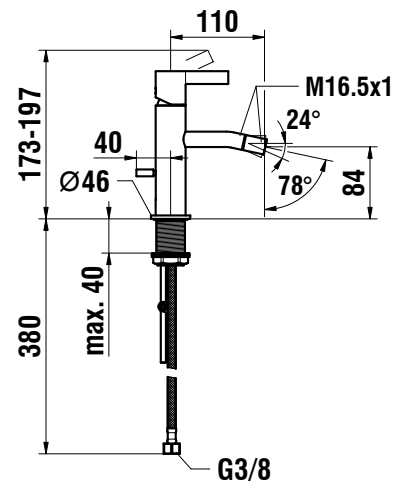
TECHNICAL DATA / WITHOUT POP-UP WASTE

Order no.	3.4133.1.090.103.1
Connection	3/8" flexible connection hoses
Spout length	110 mm
Flow rate	5.7 l/min (3 bar)
Acoustic class	I/-
Specification	bidet single-lever mixer 25 mm cartridge fixed spout"
Surface finish	PVD inox look

TECHNICAL DRAWINGS



TECHNICAL DRAWINGS



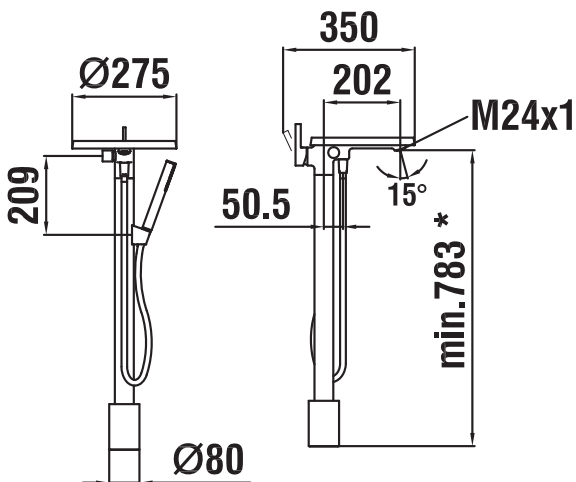
**Column bath mixer with accessories
3.2133.1.004.121.1**



TECHNICAL DATA

Order no.	3.2133.1.004.121.1	Accessories incl.	synthetic flexible hose 1250 mm and Twinstick handshower
Spout length	202 mm	Mounting acc. excl.	technical bloc for column bath mixer, order no. 3.7098.5.000.000.1
Flow rate	spout: 24.6 l/min (3bar) shower: 9.1 l/min (3bar)	Surface finish	chrome
Acoustic class	spout: IIC shower: IIC		
Specification	column bath mixer 40 mm Ecototal cartridge with flow and temperature brake fixed spout max height 843 mm (depending on the thickness of the screed and tile)		

TECHNICAL DRAWINGS



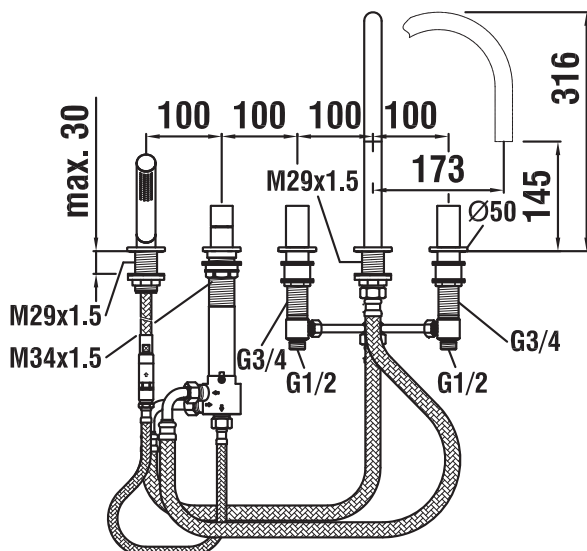
Roman tub filler 5-holes without straight plate
3.2233.5.004.282.1



TECHNICAL DATA

Order no.	3.2233.5.004.282.1	Mounting acc. excl.	installation bracket for roman tub filler 5-holes, 518 x 96 mm, order no. 3.9298.2.004.211.1
Spout length	173 mm		installation bracket with wire basket, 5-holes, L = 520 mm, H = 450 mm, order no. 3.9298.2.004.214.1
Specification	roman tub filler 5-holes without straight plate fixed spout handshower with flexible hose 2000 mm intrinsically safe against backflow 2 shut off valves		flexible connection hose, order no. 3.9298.2.004.217.1 installation supports order no. 3.9298.2.004.218.1 making-up lengths G 1/2, order no. 3.9298.2.004.219.1
		Surface finish	chrome

TECHNICAL DRAWINGS



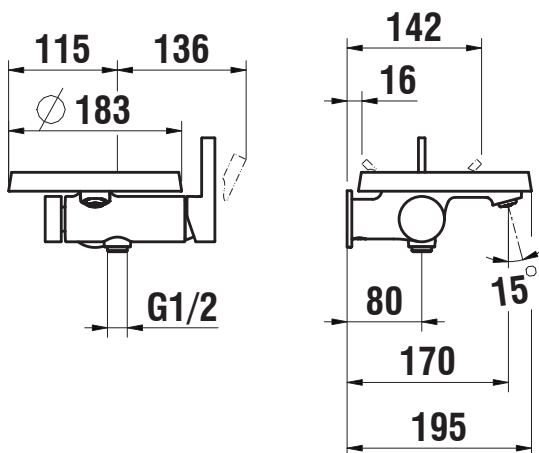
**Concealed bath/shower mixer
for Simibox 1-Point
3.2133.9.004.141.1**



TECHNICAL DATA

Order no.	3.2133.9.004.141.1	Mounting acc. excl.	Simibox 1-Point, concealed system for bath, shower and washbasin mixer, order nr 3.7698.1.000.100.1
Spout length	170 mm		mounting aid for Simibox 1-Point, order nr 3.7798.0.003.000.1
Flow rate	spout: 17.8 l/min (3 bar) shower: 8.2 l/min (3 bar)		extension set for Simibox 1-Point, L = 25 mm, order nr 3.7698.4.000.125.1
Acoustic class	spout: IDD shower: ID		disc smoky grey, order nr 3.9833.5.085.001.1 disc tangerine orange, order nr 3.9833.5.082.001.1 disc amber, order nr 3.9833.5.081.001.1
Specification	concealed bath/shower mixer for Simibox 1-Point 40 mm Ecototal cartridge with flow and temperature brake fixed spout transparent crystall disc supplied - other colours are to be ordered separately	Surface finish	chrome
Accessories incl.	order no. 3.2133.9.004.141.1 – complete with synthetic flexible hose 1800 mm and Twinstick handshower		

TECHNICAL DRAWINGS



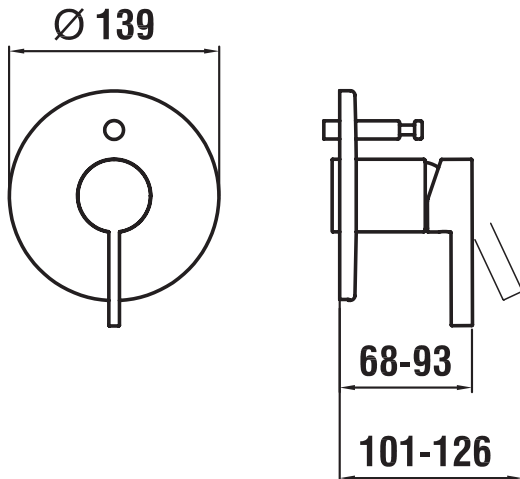
**Set for concealed bath/shower mixer Simibox
3.2133.6.004.000.1**



TECHNICAL DATA

Order no.	3.2133.6.004.000.1	Mounting acc. excl.	either Simibox Standard, concealed system for bath and shower mixer, order no. 3.7898.0.000.000.1 or Simibox Light, concealed system for bath and shower mixer:
Flow rate	Simibox Light: spout: 21.9 l/min (3 bar) shower: 19.2 l/min (3 bar) Simibox Standard: spout: 20.6 l/min (3 bar) shower: 18.1 l/min (3 bar)		with stop valve: order no. 3.7898.0.000.100.1 without stop valve: order no. 3.7898.0.000.101.1 Simibox, mounting aid for concealed bath and shower mixer, order no. 3.7998.0.003.000.1 Simibox, flange set, order no. 3.7998.0.000.500.1 Simibox, extension set L = 25 mm – order no. 3.7998.0.000.050.1 L = 50 mm – order no. 3.7998.0.000.060.1
Acoustic class	Simibox Light: spout: ID shower: IC Simibox Standard: spout: IC shower: IB	Surface finish	chrome
Specification	set for concealed bath/shower mixer Simibox 40 mm Ecototal cartridge with flow and temperature brake automatic diverter		

TECHNICAL DRAWINGS



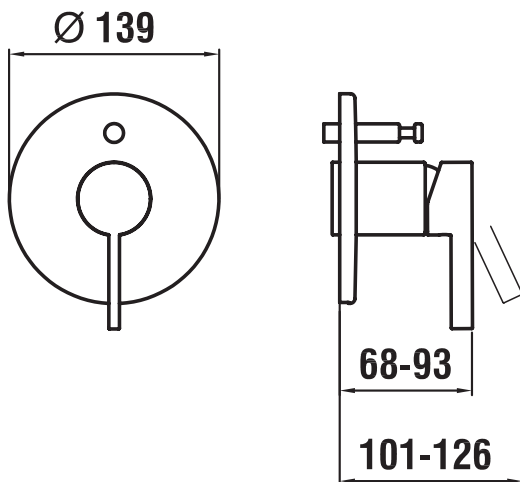
**Set for concealed bath/shower mixer Simibox
3.2133.6.090.000.1**



TECHNICAL DATA

Order no.	3.2133.6.090.000.1	Mounting acc. excl.	either Simibox Standard, concealed system for bath and shower mixer, order no. 3.7898.0.000.000.1 or Simibox Light, concealed system for bath and shower mixer:
Flow rate	Simibox Light: spout: 21.9 l/min (3 bar) shower: 19.2 l/min (3 bar) Simibox Standard: spout: 20.6 l/min (3 bar) shower: 18.1 l/min (3 bar)		with stop valve: order no. 3.7898.0.000.100.1 without stop valve: order no. 3.7898.0.000.101.1 Simibox, mounting aid for concealed bath and shower mixer, order no. 3.7998.0.003.000.1 Simibox, flange set, order no. 3.7998.0.000.500.1 Simibox, extension set L = 25 mm – order no. 3.7998.0.000.050.1 L = 50 mm – order no. 3.7998.0.000.060.1
Acoustic class	Simibox Light: spout: ID shower: IC Simibox Standard: spout: IC shower: IB	Surface finish	PVD inox look
Specification	set for concealed bath/shower mixer Simibox 40 mm Ecototal cartridge with flow and temperature brake automatic diverter		

TECHNICAL DRAWINGS



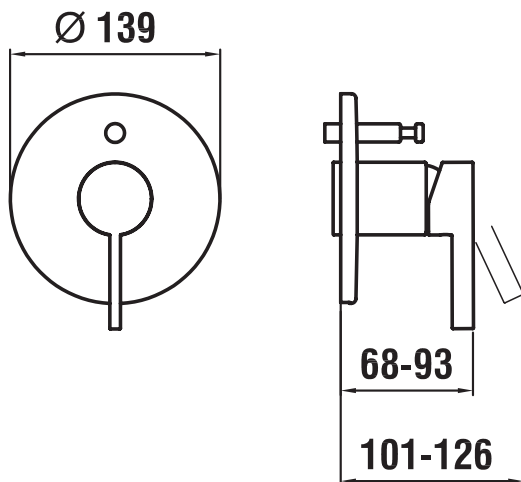
**Set for concealed bath/shower mixer Simibox
with integrated vacuum breaker
3.2133.6.004.010.1**



TECHNICAL DATA

Order no.	3.2133.6.004.010.1	Mounting acc. excl.	either Simibox Standard, concealed system for bath and shower mixer, order no. 3.7898.0.000.000.1 or Simibox Light, concealed system for bath and shower mixer:
Flow rate	Simibox Light: spout: 21.9 l/min (3 bar) shower: 19.2 l/min (3 bar) Simibox Standard: spout: 20.6 l/min (3 bar) shower: 18.1 l/min (3 bar)		with stop valve: order no. 3.7898.0.000.100.1 without stop valve: order no. 3.7898.0.000.101.1 Simibox, mounting aid for concealed bath and shower mixer, order no. 3.7998.0.003.000.1 Simibox, flange set, order no. 3.7998.0.000.500.1 Simibox, extension set L = 25 mm – order no. 3.7998.0.000.050.1 L = 50 mm – order no. 3.7998.0.000.060.1
Acoustic class	Simibox Light: spout: ID shower: IC Simibox Standard: spout: IC shower: IB	Surface finish	chrome
Specification	set for concealed bath/shower mixer Simibox with integrated vacuum breaker 40 mm Ecototal cartridge with flow and temperature brake automatic diverter		

TECHNICAL DRAWINGS



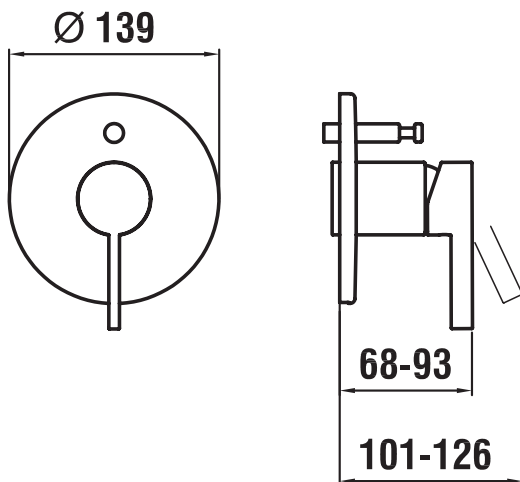
**Set for concealed bath/shower mixer Simibox
with integrated vacuum breaker
3.2133.6.090.010.1**



TECHNICAL DATA

Order no.	3.2133.6.090.010.1	Mounting acc. excl.	either Simibox Standard, concealed system for bath and shower mixer, order no. 3.7898.0.000.000.1 or Simibox Light, concealed system for bath and shower mixer:
Flow rate	Simibox Light: spout: 21.9 l/min (3 bar) shower: 19.2 l/min (3 bar) Simibox Standard: spout: 20.6 l/min (3 bar) shower: 18.1 l/min (3 bar)		with stop valve: order no. 3.7898.0.000.100.1 without stop valve: order no. 3.7898.0.000.101.1
Acoustic class	Simibox Light: spout: ID shower: IC Simibox Standard: spout: IC shower: IB		Simibox, mounting aid for concealed bath and shower mixer, order no. 3.7998.0.003.000.1 Simibox, flange set, order no. 3.7998.0.000.500.1 Simibox, extension set L = 25 mm – order no. 3.7998.0.000.050.1 L = 50 mm – order no. 3.7998.0.000.060.1
Specification	set for concealed bath/shower mixer Simibox with integrated vacuum breaker 40 mm Ecototal cartridge with flow and temperature brake automatic diverter	Surface finish	PVD inox look

TECHNICAL DRAWINGS



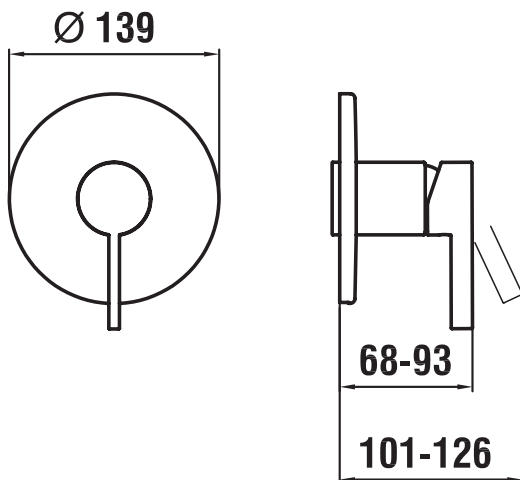
**Set for concealed shower mixer Simibox
3.3133.6.090.000.1**



TECHNICAL DATA

Order no.	3.3133.6.090.000.1	Mounting acc. excl.	either Simibox Standard, concealed system for bath and shower mixer, order no. 3.7898.0.000.000.1 or Simibox Light, concealed system for bath and shower mixer:
Flow rate	Simibox Light: 19.2 l/min (3 bar) Simibox Standard: 18.1 l/min (3 bar)		with stop valve: order no. 3.7898.0.000.100.1 without stop valve: order no. 3.7898.0.000.101.1
Acoustic class	Simibox Light: IC Simibox Standard: IA		Simibox, mounting aid for concealed bath and shower mixer, order no. 3.7998.0.003.000.1 Simibox, flange set, order no. 3.7998.0.000.500.1 Simibox, extension set L = 25 mm – order no. 3.7998.0.000.050.1 L = 50 mm – order no. 3.7998.0.000.060.1
Specification	set for concealed bath/shower mixer Simibox 40 mm Ecototal cartridge with flow and temperature brake automatic diverter	Surface finish	PVD inox look

TECHNICAL DRAWINGS



KARTELL BY LAUFEN

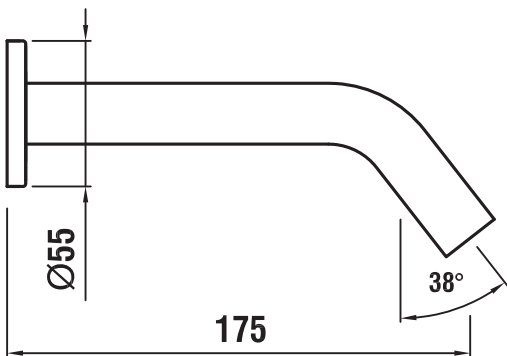
**Wall spout
3.7133.0.004.060.1**



TECHNICAL DATA

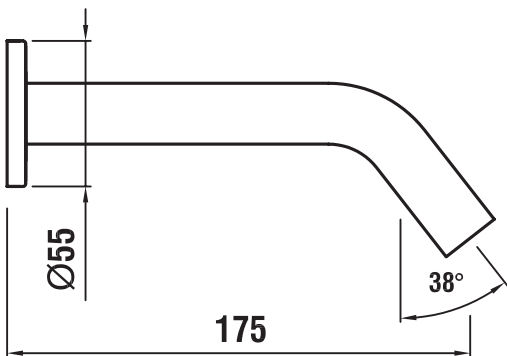
Order no.	3.7133.0.004.060.1	Specification	wall spout
Connection	1/2"		fixed spout
Spout length	175 mm	Surface finish	chrome

TECHNICAL DRAWINGS



**TECHNICAL DATA**

Order no.	3.7133.0.004.090.1	Specification	wall spout
Connection	1/2"		fixed spout
Spout length	175 mm	Surface finish	PVD inox look

TECHNICAL DRAWINGS

KARTELL BY LAUFEN

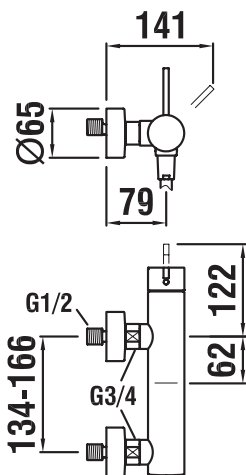
**Shower single-lever mixer
with accessories
3.3133.7.004.141.1
without accessories
3.3133.7.004.400.1**



TECHNICAL DATA

Order no.	3.3133.7.004.141.1 / with accessories 3.3133.7.004.400.1 / without accessories	Specification	shower single-lever mixer 40 mm Ecototal cartridge with flow and temperature brake intrinsically safe against backflow cool touch
Gauge	134 - 166 mm	Accessories incl.	order no. 3.3133.7.004.141.1 – complete with synthetic flexible hose 1800 mm and Twinstick handshower
Connection	1/2"	Mounting acc. incl.	wall connections
Hose connection	1/2"	Surface finish	chrome
Flow rate	10.2 l/min (3 bar)		
Acoustic class	IIA		

TECHNICAL DRAWINGS



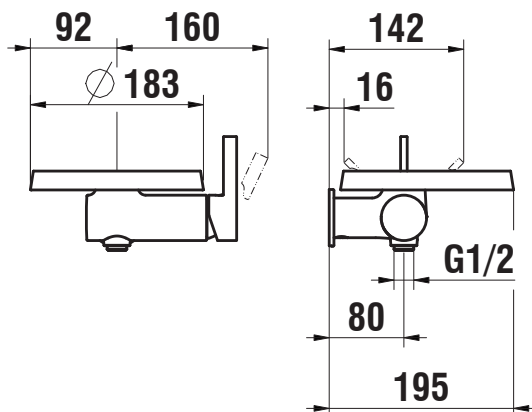
**Concealed shower mixer
for Simibox 1-Point
3.3133.9.004.141.1**



TECHNICAL DATA

Order no.	3.3133.9.004.141.1	Mounting acc. excl.	Simibox 1-Point, concealed system for bath, shower and washbasin mixer, order nr 3.7698.1.000.100.1
Flow rate	8.2 l/min (3 bar)		mounting aid for Simibox 1-Point, order nr 3.7798.0.003.000.1
Acoustic class	ID		extension set for Simibox 1-Point, L = 25 mm, order nr 3.7698.4.000.125.1
Specification	concealed shower mixer for Simibox 1-Point 40 mm Ecototal cartridge with flow and temperature brake transparent crystall disc supplied - other colours are to be ordered separately		disc smoky grey, order nr 3.9833.5.085.001.1 disc tangerine orange, order nr 3.9833.5.082.001.1 disc amber, order nr 3.9833.5.081.001.1
Accessories incl.	order no. 3.3133.9.004.141.1 – complete with synthetic flexible hose 1800 mm and Twinstick handshower	Surface finish	chrome

TECHNICAL DRAWINGS



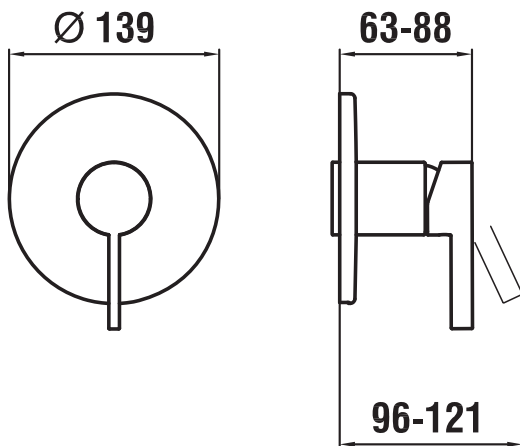
**Set for concealed shower mixer Simibox
3.3133.6.004.000.1**



TECHNICAL DATA

Order no.	3.3133.6.004.000.1	Mounting acc. excl.	either Simibox Standard, concealed system for bath and shower mixer, order no. 3.7898.0.000.000.1 or Simibox Light, concealed system for bath and shower mixer:
Flow rate	Simibox Light: 19.2 l/min (3 bar) Simibox Standard: 18.1 l/min (3 bar)		with stop valve: order no. 3.7898.0.000.100.1 without stop valve: order no. 3.7898.0.000.101.1
Acoustic class	Simibox Light: IC Simibox Standard: IIC		Simibox, mounting aid for concealed bath and shower mixer, order no. 3.7998.0.003.000.1 Simibox, flange set, order no. 3.7998.0.000.500.1 Simibox, extension set L = 25 mm – order no. 3.7998.0.000.050.1 L = 50 mm – order no. 3.7998.0.000.060.1
Specification	set for concealed bath/shower mixer Simibox 40 mm Ecototal cartridge with flow and temperature brake automatic diverter	Surface finish	chrome

TECHNICAL DRAWINGS



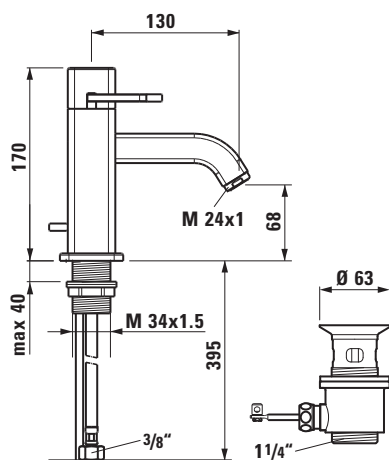
**Basin single-lever mixer with pop-up waste
3.1121.1.004.111.1**



TECHNICAL DATA

Order no.	3.1121.1.004.111.1	Specification	basin single-lever mixer
Connection	3/8" flexible connection hoses		35 mm Quattro-G cartridge with flow and temperature limitation
Spout length	130 mm		fixed spout
Flow rate	4.5 l/min (3 bar)	Accessories incl.	pop-up waste 1 1/4"
Acoustic class	I/-	Surface finish	chrome

TECHNICAL DRAWINGS



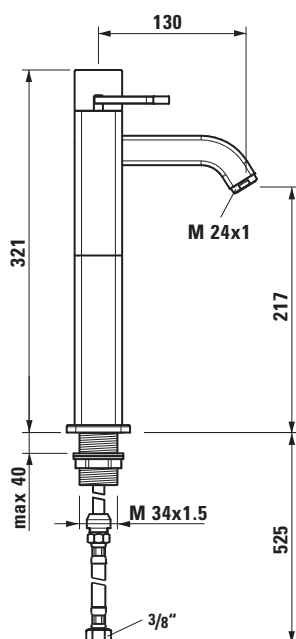
**Column basin single-lever mixer without pop-up waste
3.1121.1.004.110.1**



TECHNICAL DATA

Order no.	3.1121.1.004.110.1	Specification	column basin single-lever mixer
Connection	3/8" flexible connection hoses		35 mm Quattro-G cartridge with flow and temperature limitation
Spout length	130 mm		fixed spout
Flow rate	4.5 l/min (3 bar)	Surface finish	chrome
Acoustic class	I/-		

TECHNICAL DRAWINGS



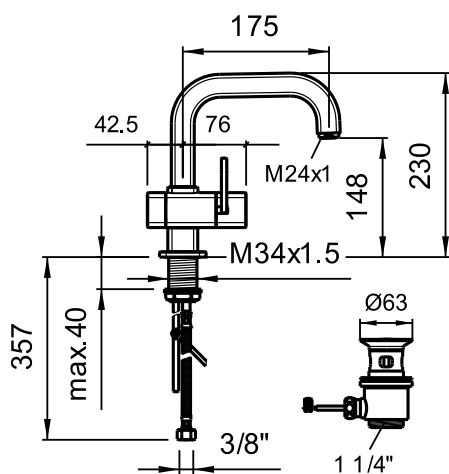
**Basin single-lever mixer with pop-up waste
3.1121.1.004.231.1**



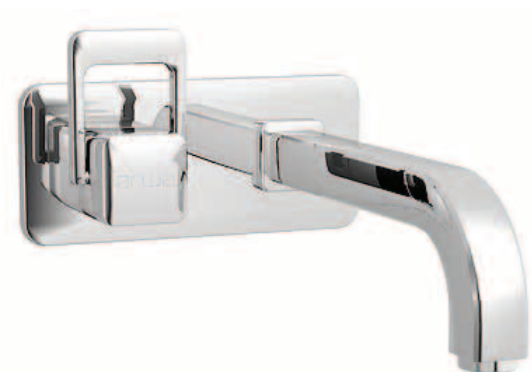
TECHNICAL DATA

Order no.	3.1121.1.004.231.1	Specification	basin single-lever mixer
Connection	3/8" flexible connection hoses		35 mm Quattro-G cartridge with flow and temperature limitation
Spout length	175 mm		control handle can be positioned right / front / left
Flow rate	4.5 l/min (3 bar)		swivel spout
Acoustic class	I/-	Accessories incl.	pop-up waste 1 1/4"
		Surface finish	chrome

TECHNICAL DRAWINGS



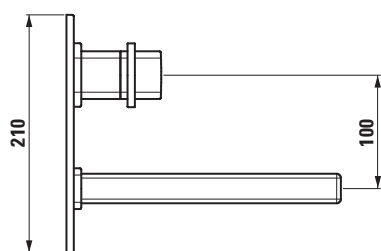
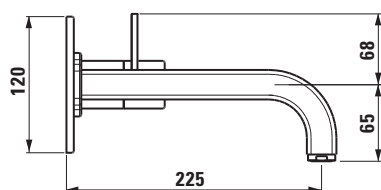
Set for concealed wall mixer 3.1121.6.004.120.1



TECHNICAL DATA

Order no.	3.1121.6.004.120.1	Mounting acc. excl.	rough-in set LW 35 mm, Quattro-G cartridge, order no. 3.7698.1.000.000.1
Spout length	225 mm		
Flow rate	5.4 l/min (3 bar)		extension set for rough-in set LW, L = 30mm, order no. 3.7721.4.004.050.1
Acoustic class	I/-		
Specification	set for concealed wall mixer fixed spout	Surface finish	chrome

TECHNICAL DRAWINGS



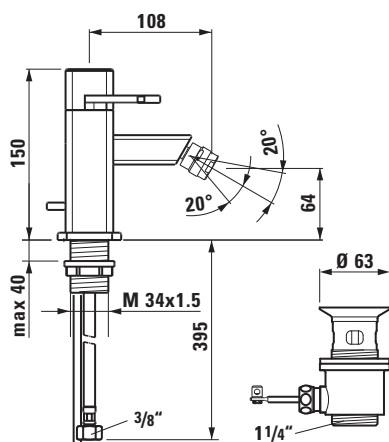
**Bidet single-lever mixer with pop-up waste
3.4121.1.004.111.1**



TECHNICAL DATA

Order no.	3.4121.1.004.111.1	Specification	bidet single-lever mixer
Connection	3/8" flexible connection hoses		35 mm Quattro-G cartridge with flow and temperature limitation
Spout length	108 mm		fixed spout
Flow rate	9.6 l/min (3 bar)	Accessories incl.	pop-up waste 1 1/4"
Acoustic class	IIA	Surface finish	chrome

TECHNICAL DRAWINGS



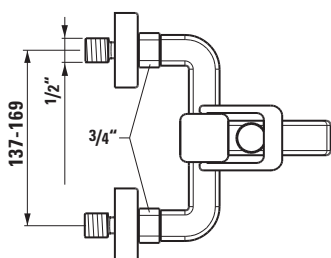
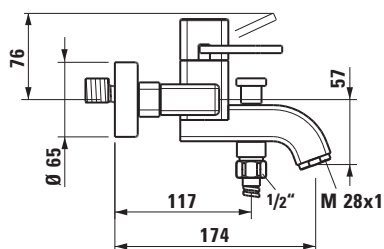
**Bath/shower single-lever mixer with accessories
3.2121.7.004.144.1**



TECHNICAL DATA

Order no.	3.2121.7.004.144.1	Specification	bath/shower single-lever mixer
Gauge	137-169 mm		35 mm Quattro-G cartridge with flow and temperature limitation
Connection	1/2"		fixed spout
Hose connection	1/2" (DN 15)		automatic diverter
Spout length	174 mm		intrinsically safe against backflow
Flow rate	spout: 20 l/min (3 bar) shower: 12 l/min (3 bar)	Accessories incl.	synthetic flexible hose 1800 mm and hand-shower Uno
Acoustic class	spout: IID shower: IIB	Mounting acc. incl.	wall connections
		Surface finish	chrome

TECHNICAL DRAWINGS



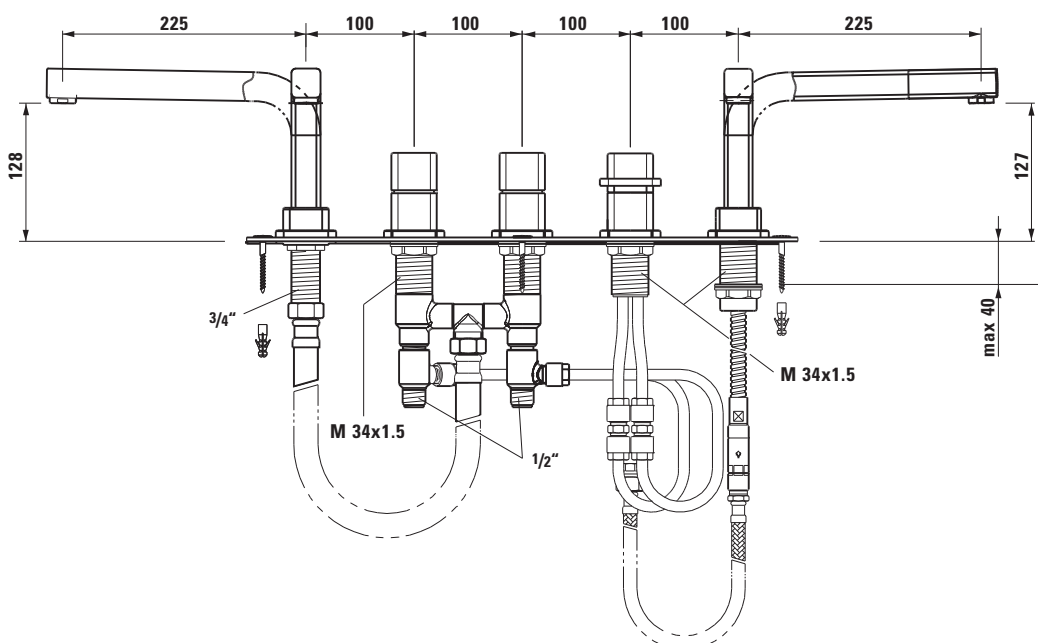
Roman tub filler 5-holes on straight plate
3.2221.5.004.284.1



TECHNICAL DATA

Order no.	3.2221.5.004.284.1	Mounting acc. excl.	installation bracket for roman tub filler 5-holes, 518 x 96 mm, order no. 3.9298.2.004.211.1
Spout length	225 mm		installation bracket with wire basket, 5-holes, L = 520 mm, H = 450 mm, order no. 3.9298.2.004.214.1
Flow rate	spout: 30 l/min (3 bar) shower: 19.5 l/min (3 bar)		flexible connection hose, order no. 3.9298.2.004.217.1
Acoustic class	spout: IID shower: IID		installation supports order no. 3.9298.2.004.218.1
Specification	roman tub filler 5-holes on straight plate fixed spout handshower with flexible hose 2000 mm intrinsically safe against backflow 2 shut off valves		making-up lengths G 1/2, order no. 3.9298.2.004.219.1
		Surface finish	chrome

TECHNICAL DRAWINGS



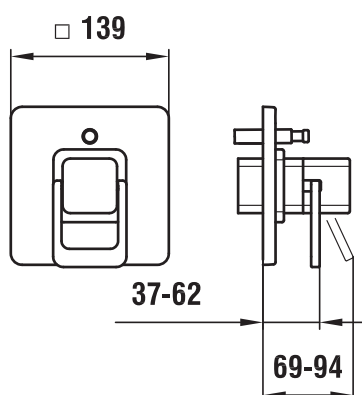
**Set for concealed bath/shower mixer Simibox
3.2121.6.004.000.1**



TECHNICAL DATA

Order no.	3.2121.6.004.000.1	Mounting acc. excl.	either Simibox Standard, concealed system for bath and shower mixer, order no. 3.7898.0.000.000.1 or Simibox Light, concealed system for bath and shower mixer:
Flow rate	Simibox Light: spout: 21.9 l/min (3 bar) shower: 19.2 l/min (3 bar) Simibox Standard: spout: 20.6 l/min (3 bar) shower: 18.1 l/min (3 bar)		with stop valve: order no. 3.7898.0.000.100.1 without stop valve: order no. 3.7898.0.000.101.1 Simibox, mounting aid for concealed bath and shower mixer, order no. 3.7998.0.003.000.1 Simibox, flange set, order no. 3.7998.0.000.500.1 Simibox, extension set L = 25 mm – order no. 3.7998.0.000.050.1 L = 50 mm – order no. 3.7998.0.000.060.1
Acoustic class	Simibox Light: spout: ID shower: IC Simibox Standard: spout: IID shower: IIC	Surface finish	chrome
Specification	set for concealed bath/shower mixer Simibox 40 mm Ecototal cartridge with flow and temperature brake automatic diverter		

TECHNICAL DRAWINGS



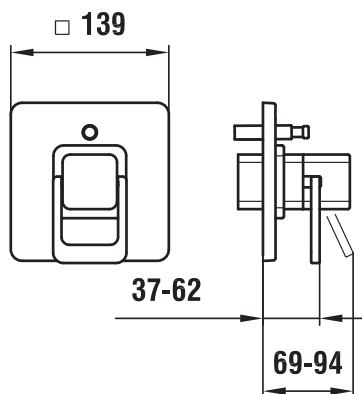
**Set for concealed bath/shower mixer Simibox
with integrated vacuum breaker
3.2121.6.004.010.1**



TECHNICAL DATA

Order no.	3.2121.6.004.010.1	Mounting acc. excl.	either Simibox Standard, concealed system for bath and shower mixer, order no. 3.7898.0.000.000.1 or Simibox Light, concealed system for bath and shower mixer:
Flow rate	Simibox Light: spout: 21.9 l/min (3 bar) shower: 19.2 l/min (3 bar) Simibox Standard: spout: 20.6 l/min (3 bar) shower: 18.1 l/min (3 bar)		with stop valve: order no. 3.7898.0.000.100.1 without stop valve: order no. 3.7898.0.000.101.1
Acoustic class	Simibox Light: spout: ID shower: IC Simibox Standard: spout: IID shower: IIC		Simibox, mounting aid for concealed bath and shower mixer, order no. 3.7998.0.003.000.1 Simibox, flange set, order no. 3.7998.0.000.500.1 Simibox, extension set L = 25 mm – order no. 3.7998.0.000.050.1 L = 50 mm – order no. 3.7998.0.000.060.1
Specification	set for concealed bath/shower mixer Simibox with integrated vacuum breaker 40 mm Ecototal cartridge with flow and temperature brake automatic diverter	Surface finish	chrome

TECHNICAL DRAWINGS



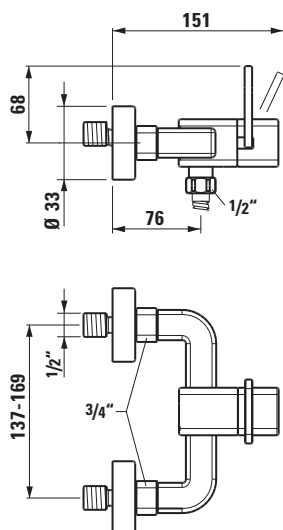
**Shower single-lever mixer with accessories
3.3121.7.004.144.1**



TECHNICAL DATA

Order no.	3.3121.7.004.144.1	Specification	shower single-lever mixer
Gauge	137-169 mm		35 mm Quattro-G cartridge with flow and temperature limitation
Connection	1/2"		intrinsically safe against backflow
Hose connection	1/2" (DN 15)	Accessories incl.	synthetic flexible hose 1800 mm and hand-shower Uno
Flow rate	12 l/min (3 bar)	Mounting acc. incl.	wall connections
Acoustic class	IIB	Surface finish	chrome

TECHNICAL DRAWINGS



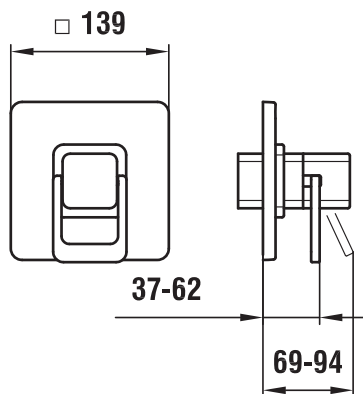
**Set for concealed shower mixer Simibox
3.3121.6.004.000.1**



TECHNICAL DATA

Order no.	3.3121.6.004.000.1	Mounting acc. excl.	either Simibox Standard, concealed system for bath and shower mixer, order no. 3.7898.0.000.000.1 or Simibox Light, concealed system for bath and shower mixer:
Flow rate	Simibox Light: 19.2 l/min (3 bar) Simibox Standard: 18.1 l/min (3 bar)		with stop valve: order no. 3.7898.0.000.100.1 without stop valve: order no. 3.7898.0.000.101.1
Acoustic class	Simibox Light: IC Simibox Standard: IIC		Simibox, mounting aid for concealed bath and shower mixer, order no. 3.7998.0.003.000.1 Simibox, flange set, order no. 3.7998.0.000.500.1 Simibox, extension set L = 25 mm – order no. 3.7998.0.000.050.1 L = 50 mm – order no. 3.7998.0.000.060.1
Specification	set for concealed bath/shower mixer Simibox 40 mm Ecototal cartridge with flow and temperature brake automatic diverter	Surface finish	chrome

TECHNICAL DRAWINGS



QUADRIGA

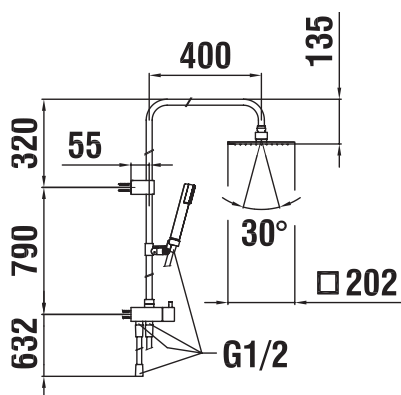
Showerstation with rain shower head 3.3521.7.004.264.1 without rain shower head 3.3598.7.004.131.1



TECHNICAL DATA

Order no.	3.3521.7.004.264.1 / with rain shower head 3.3598.7.004.131.1 / without rain shower head	Specification	showerstation complete with square rain shower head 202 x 202 mm, 2 synthetic flexible hoses 800 and 1500 mm, and handshower Uno
to be combined with	apparent or concealed shower mixer any rain shower head of the Laufen assortment	Surface finish	chrome
Connection	1/2"		
Hose connection	1/2" (DN 15)		
Flow rate	showerhead: 8.5 l/min (3 bar) handshower: 12 l/min (3 bar)		
Acoustic class	spout: IIC shower: IIC		

TECHNICAL DRAWINGS



Liberty Plus

Basin single-lever mixer with pop-up waste 3.1160.1.004.111.1 without pop-up waste 3.1160.1.004.110.1



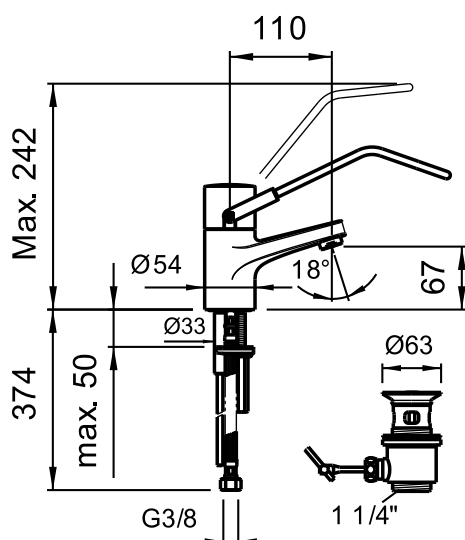
TECHNICAL DATA / WITH POP-UP WASTE

Order no.	3.1160.1.004.111.1
Connection	3/8" flexible connection hoses
Spout length	110 mm
Flow rate	5.7 l/min (3 bar)
Acoustic class	I/-
Specification	basin single-lever mixer cartridge with fixed limitation laminar flow fixed spout
Accessories incl.	pop-up waste 1 1/4"
Surface finish	chrome

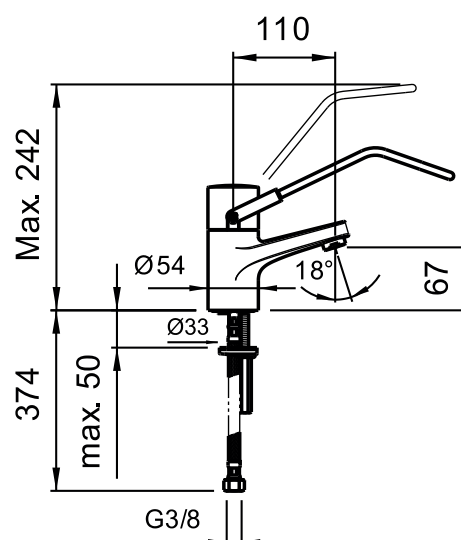
TECHNICAL DATA / WITHOUT POP-UP WASTE

Order no.	3.1160.1.004.110.1
Connection	3/8" flexible connection hoses
Spout length	110 mm
Flow rate	5.7 l/min (3 bar)
Acoustic class	I/-
Specification	basin single-lever mixer cartridge with fixed limitation laminar flow fixed spout
Surface finish	chrome

TECHNICAL DRAWINGS



TECHNICAL DRAWINGS



Liberty Plus

Basin single-lever mixer with pop-up waste 3.1160.1.004.221.1 without pop-up waste 3.1160.1.004.220.1



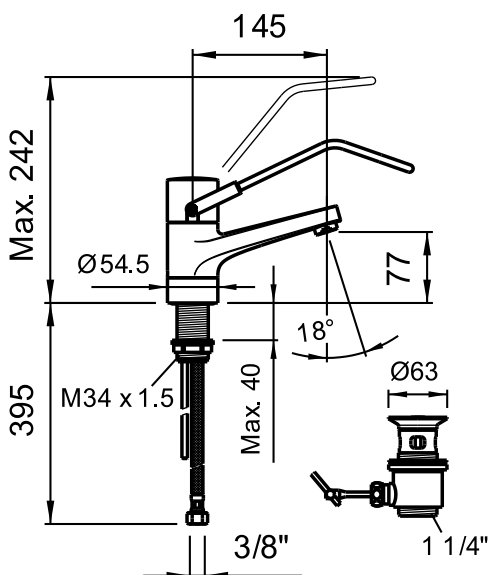
TECHNICAL DATA / WITH POP-UP WASTE

Order no.	3.1160.1.004.221.1
Connection	3/8" flexible connection hoses
Spout length	145 mm
Flow rate	5.7 l/min (3 bar)
Acoustic class	I/-
Specification	basin single-lever mixer cartridge with fixed limitation laminar flow fixed spout
Accessories incl.	pop-up waste 1 1/4"
Surface finish	chrome

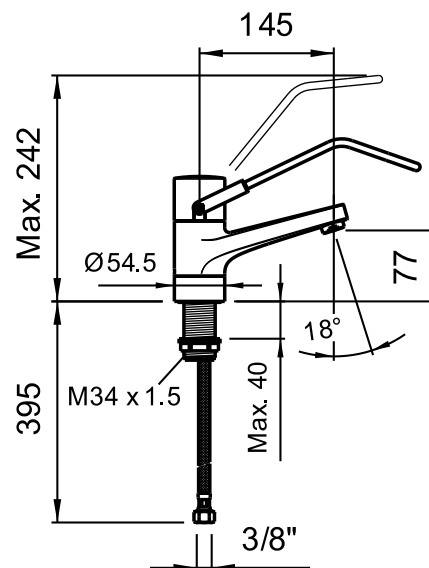
TECHNICAL DATA / WITHOUT POP-UP WASTE

Order no.	3.1160.1.004.220.1
Connection	3/8" flexible connection hoses
Spout length	145 mm
Flow rate	5.7 l/min (3 bar)
Acoustic class	I/-
Specification	basin single-lever mixer cartridge with fixed limitation laminar flow fixed spout
Surface finish	chrome

TECHNICAL DRAWINGS



TECHNICAL DRAWINGS



LIBERTY PRO

Basin single-lever mixer with pop-up waste 3.1195.1.004.521.1 without pop-up waste 3.1195.1.004.520.1



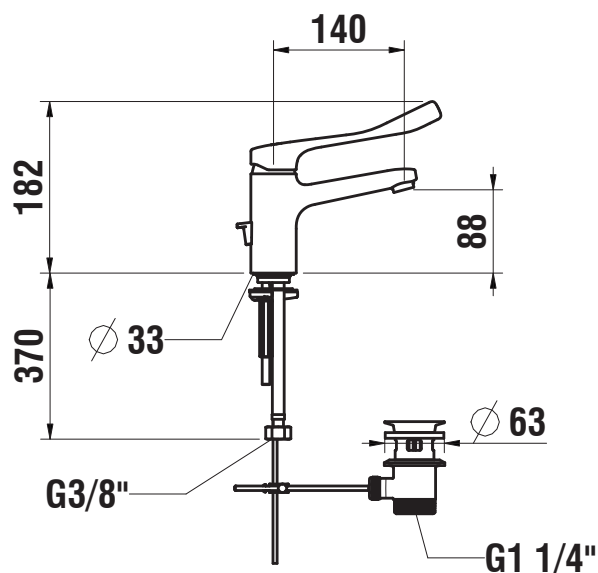
TECHNICAL DATA / WITH POP-UP WASTE

Order no.	3.1195.1.004.521.1
Connection	3/8" flexible connection hoses
Spout length	140 mm
Flow rate	5.7 l/min (3 bar)
Acoustic class	I/-
Specification	basin single-lever mixer 40 mm cartridge with flow and temperature limitations special „clinic“ lever, 18 cm long (measured from the middle of the cartridge) laminar aerator M24x1 fixed spout
Accessories incl.	pop-up waste 1¼"
Surface finish	chrome

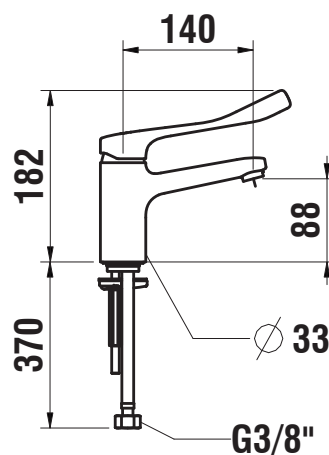
TECHNICAL DATA / WITHOUT POP-UP WASTE

Order no.	3.1195.1.004.520.1
Connection	3/8" flexible connection hoses
Spout length	140 mm
Flow rate	5.7 l/min (3 bar)
Acoustic class	I/-
Specification	basin single-lever mixer 40 mm cartridge with flow and temperature limitations special „clinic“ lever, 18 cm long (measured from the middle of the cartridge) laminar aerator M24x1 fixed spout
Surface finish	chrome

TECHNICAL DRAWINGS



TECHNICAL DRAWINGS



LIBERTY PRO

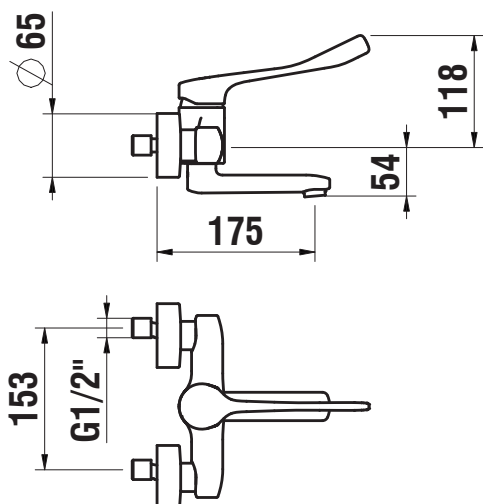
Wall washbasin mixer 3.1195.7.004.520.1



TECHNICAL DATA

Order no.	3.1195.7.004.520.1	Specification	wall washbasin mixer
Gauge	137-169 mm		40 mm cartridge with flow and temperature limitations
Connection	1/2"		special „clinic“ lever, 18 cm long (measured from the middle of the cartridge)
Spout length	175 mm		swivel spout
Flow rate	5.7 l/min (3 bar)	Mounting acc. incl.	wall connections
Acoustic class	I/-	Surface finish	chrome

TECHNICAL DRAWINGS



LIBERTY PRO

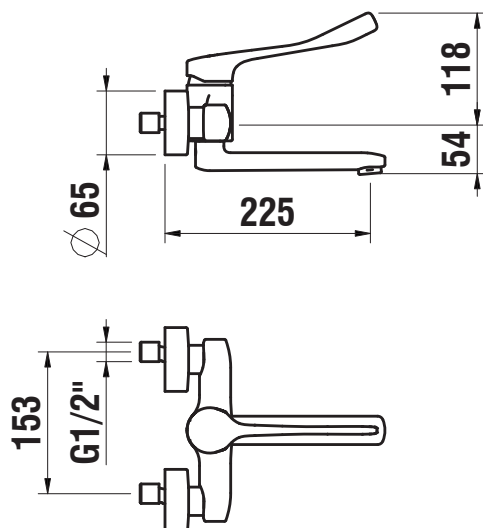
Wall washbasin mixer 3.1195.7.004.530.1



TECHNICAL DATA

Order no.	3.1195.7.004.530.1	Specification	wall washbasin mixer
Gauge	137-169 mm		40 mm cartridge with flow and temperature limitations
Connection	1/2"		special „clinic“ lever, 18 cm long (measured from the middle of the cartridge)
Spout length	225 mm		swivel spout
Flow rate	5.7 l/min (3 bar)	Mounting acc. incl.	wall connections
Acoustic class	I/-	Surface finish	chrome

TECHNICAL DRAWINGS



LIBERTY PRO

Bath/shower single-lever mixer with accessories

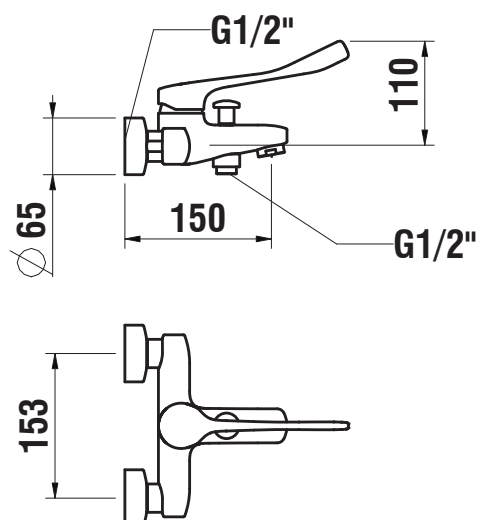
3.2195.7.004.138.1



TECHNICAL DATA

Order no.	3.2195.7.004.138.1 / with accessories	Specification	bath/shower single-lever mixer
Gauge	137-169 mm		40 mm cartridge with flow and temperature limitations
Connection	1/2"		special „clinic“ lever, 18 cm long (measured from the middle of the cartridge)
Hose connection	1/2" (DN 15)		fixed spout
Spout length	150 mm		automatic diverter
Flow rate	spout: shower:		intrinsically safe against backflow
Acoustic class	spout: shower:	Accessories incl.	order no. 3.2195.7.004.138.1 – complete with synthetic flexible hose 1500 mm and handshower Aquajet
		Mounting acc. incl.	wall connections
		Surface finish	chrome

TECHNICAL DRAWINGS



LIBERTY PRO

Shower single-lever mixer with accessories 3.3195.7.004.138.1



TECHNICAL DATA

Order no.	3.3195.7.004.138.1 / with accessories	Specification	shower single-lever mixer
Gauge	137-169 mm		40 mm cartridge with flow and temperature limitations
Connection	1/2"		special „clinic“ lever, 18 cm long (measured from the middle of the cartridge)
Hose connection	1/2" (DN 15)		intrinsically safe against backflow
Flow rate		Accessories incl.	order no. 3.3195.7.004.138.1 – complete with synthetic flexible hose 1500 mm and handshower Aquajet
Acoustic class		Mounting acc. incl.	wall connections
		Surface finish	chrome

TECHNICAL DRAWINGS

