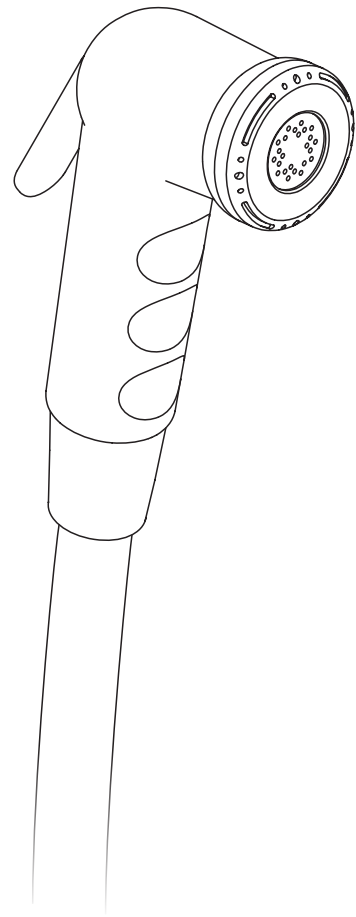
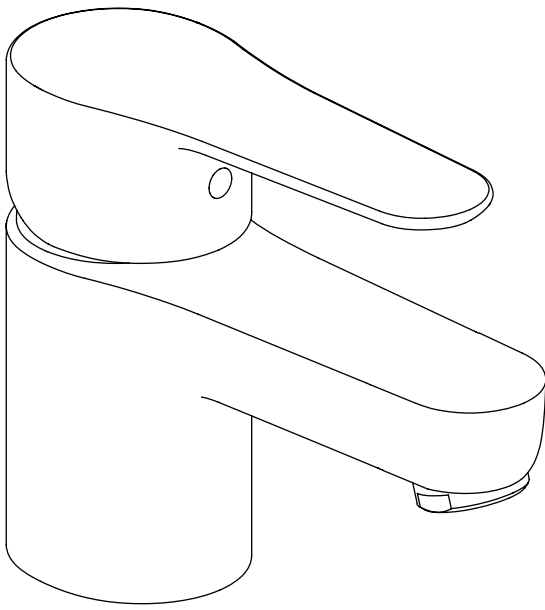
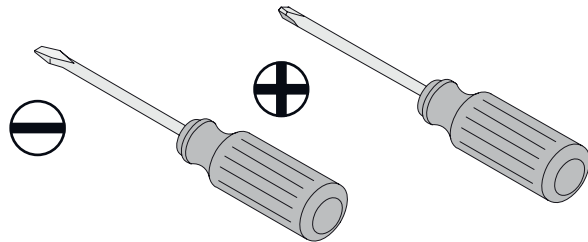
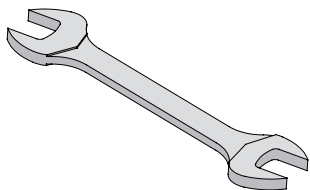
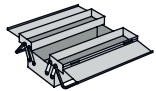


Jacob Delafon

JULY

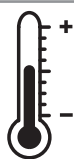




P

Bar

0.5 < 3 < 6

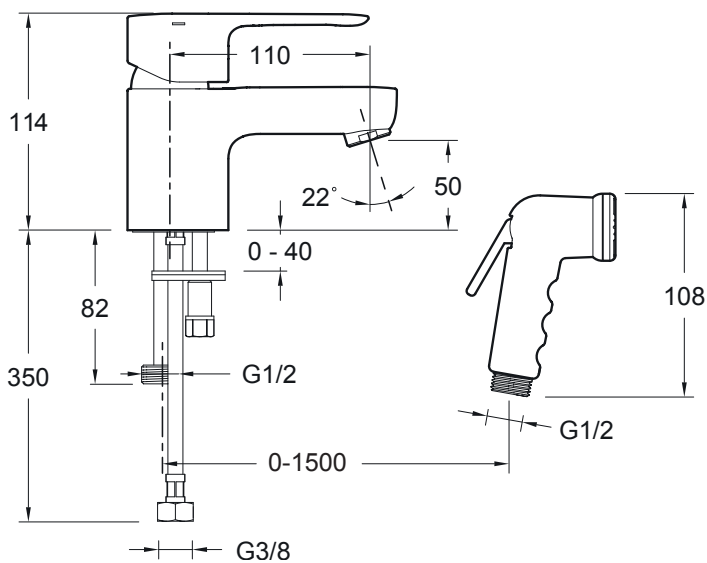


T

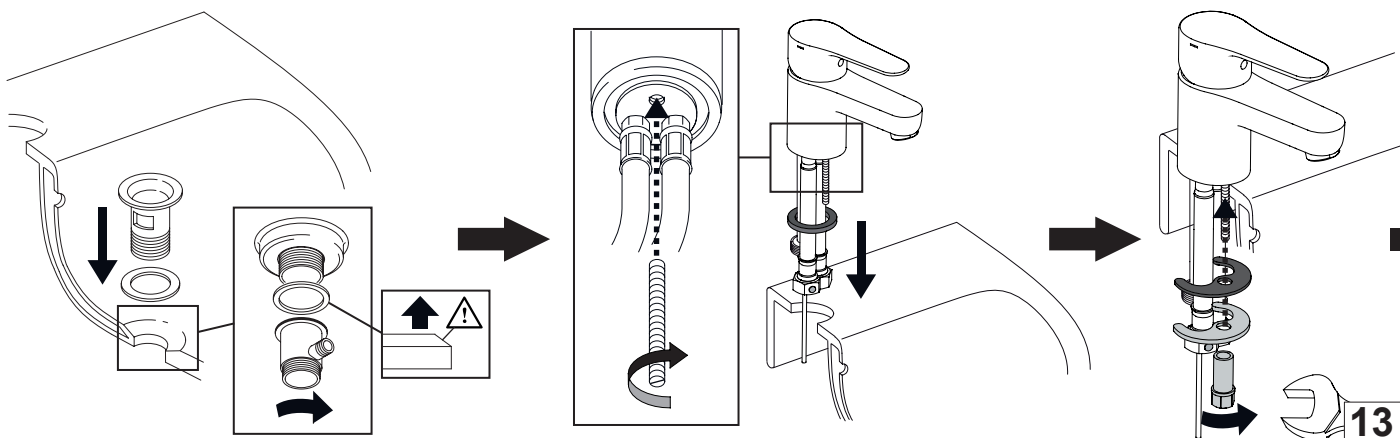
°C

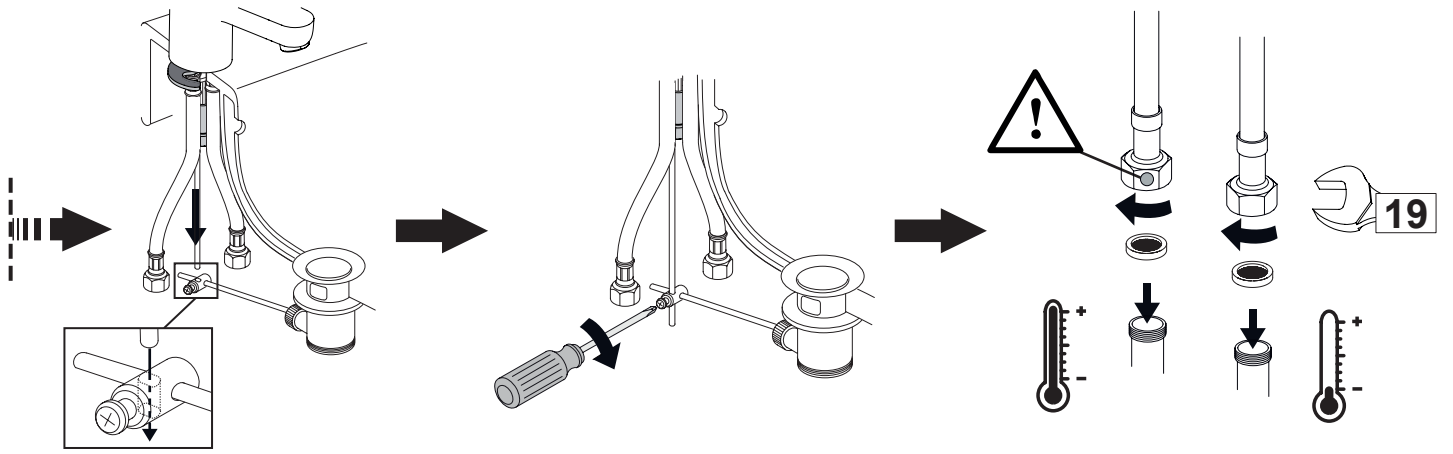
55 < 60 < 65

E16319-4-CP

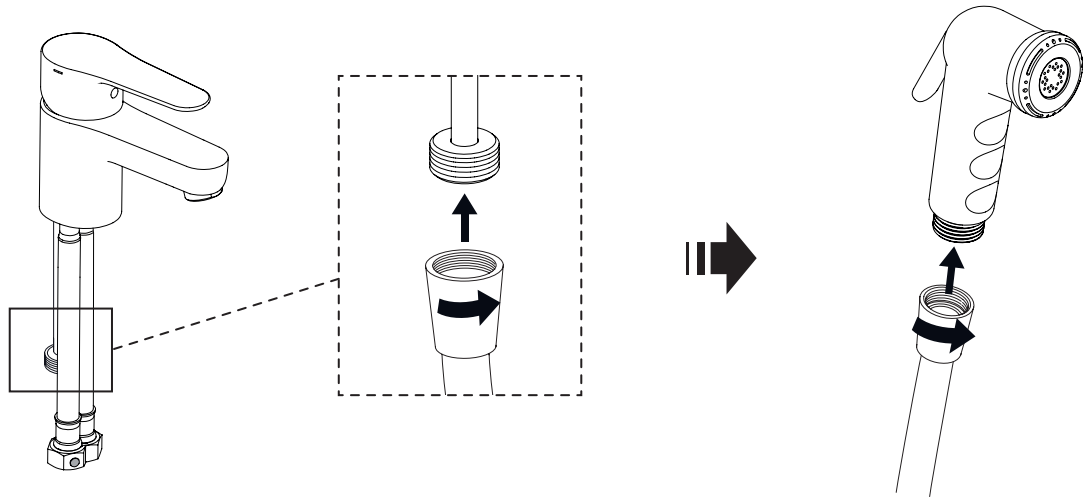


1





2



3

